



AE5-1412 R4

November 2019

Copeland Scroll™ Outdoor Refrigeration Unit X-Line User Manual

TABLE OF CONTENTS

Safety Instructions..... 4
Safety Icon Explanation 4
Instructions Pertaining to Risk of Electrical Shock, Fire, or Injury to Persons 5
Safety Statements 5
1 Introduction 6
2 Inspection 6
3 Installation 6
3.1.1 Mounting Location 7
3.1.2 Piping 7
3.2 Electrical Connections 7
3.3 Evaporator connections and considerations 9
3.3.1 Evaporators with built-in Time Delay 9
3.3.2 Evaporators with built-in defrost controls 9
3.3.3 Evaporators with electronic expansion valves (EXV) 9
3.3.4 Superheat Requirements 9
3.4 Leak Check and Refrigerant Charging 10
3.5 Initial Startup 10
3.5.1 Incorrect Phase Sequence Protection 10
3.5.2 Flooded start protection (Bump Start) 10
3.5.3 Default Settings 10
3.6 Main Settings 11
3.6.1 How to Adjust Settings 11
3.6.2 Real Time Clock 11
3.6.3 Low Ambient, Low Pressure Control Operations 11
3.6.4 Refrigerant and Pressure Control Settings 11
3.6.5 Defrost Mode Selection 12
3.7 Advanced Settings 12
3.7.1 Auto / Manual Restart 12
3.7.2 Anti-short cycle control 12
4 Use and Operation 13
4.1 User Interface 13
4.1.1 Button Descriptions and Key Combinations 14
4.1.2 Changing a Parameter Value 14
4.1.3 Entering the Advanced Options Menu 14
4.1.4 Moving Parameters Between the Programming Menu and the Advanced Options Menu 15
4.1.5 Locking the Keypad 15
4.1.6 Unlocking the Keypad 15
4.1.7 Fast Access Menu 15
4.1.8 Alarm Menu 16
4.1.9 How to Program a HOT-KEY from the Controller (UPLOAD TO OVERWRITE HOT-KEY) 16
4.1.10 How to Program a Controller Using a HOT-KEY (Download) 16
4.2 Condensing Unit Operational Control 17
4.2.1 System Operation 17
4.2.1.1 Liquid Line Solenoid Control 17
4.2.1.2 Door Switch/Thermostat Control 17
4.2.2 Unit Functions 17
4.2.3 Controller Startup 17
4.2.4 Bump Start Control Operation 17
4.2.5 Compressor Stop Program 18
4.2.6 Low ambient operation 18
4.2.7 Low condensing operation 18
4.3 Component Controls 18
4.3.1 Suction Pressure Control 18
4.3.2 Crankcase Heater 18
4.3.3 Fan Control 19
4.3.4 Fan Overrides and Error Handling 19
4.3.5 Defrost Functionality 19
4.3.5.1 Holiday Defrosts 19
4.3.6 Enhanced Vapor Injection (EVI) 19
4.3.6.1 Low Temp EVI Discharge Line. Temperature Protection Mode (2HP-6HP) 19
4.3.6.2 Low Temp EVI (2HP-6HP) Discharge Line Temperature Protection Error Handling 20
4.3.6.3 EVI System Checks (XFAL 2HP-6 HP units only) 20
4.3.6.4 Constant Liquid Temperature Mode. For Low Ambient EVI Injection (2HP-6HP) 20
4.3.6.5 Low Temperature Units With EVI TXV Selection 20
4.3.6.6 Low Temperature Units with DTC Protection 20
4.3.7 Medium Temperature DLT Protection 20
4.3.7.1 Medium Temperature DLT Protection Error Handling 21
4.3.8 Low Temperature Small Scroll DLT Protection 21
4.3.9 Over-Current Protection 21
4.3.10 Incorrect Phase Sequence Protection (3 Phase Only) 21
4.3.11 Loss of Phase Protection - Current (3 Phase Only) 21
4.3.12 Open Run Circuit (Single Phase Only) 21
4.3.13 Open Start Circuit (Single Phase Only) 21
4.3.14 Over/ Under Voltage Protection 22
4.3.15 Compressor Internal Thermal Protection ... 22
4.3.16 Fixed High Pressure Control 22
4.3.17 Alarm Contact 22

4.3.18	Anti-Flood Back Warning	22	4.6	Wire Diagrams	27
4.3.19	High Condensing Temperature Warning ...	22	5	Troubleshooting	38
4.4	Local and Remote Displays and Communication	22	5.1	Manual Stepper Control Mode for Vapor Injection (Low Temp) or Liquid Injection (Medium Temp)	38
4.4.1	Remote Display	22	5.2	Alarm Codes	38
4.4.2	PC Connection	22	5.3	Sensor Values	41
4.4.3	Supervisory controls.....	22			
4.5	Control Module Overview.....	23			

APPENDIXES

[Appendix A: 2017ECT-8 R1 FORM, DTC Valve Installation Instructions](#)

[Appendix B: X-Line Service Parts](#)

[Appendix C: Quick Setup Guide](#)

TABLE OF FIGURES

Figure 1 - Electrical Connections	7	Figure 7 - Defrost Setting	12
Figure 2 - Unit dimensions and clearance requirements	7	Figure 8 - Unit Display	13
Figure 3 - Typical Unit Cooler	9	Figure 9 - Defrost Button Position	19
Figure 4 - Buttons Functions.....	11	Figure 10 - Controller	23
Figure 5 - Real Time Clock Setting	11		
Figure 6 - Pressure Controls Settings.....	11		

TABLES

Table 1 - Specifications.....	6	Table 9 - LED Functions.....	13
Table 2 - Nomenclature	6	Table 10 - List of Fast Access Parameters	15
Table 3 - Electrical Data and Receiver Volume	8	Table 11 - Alarm Button Functions.....	16
Table 4 - Refrigerant Liquid Temperature Valve Capacity Multiplier Correction Factors	10	Table 12 - High Voltage Connections.....	24
Table 5 - Default Settings	10	Table 13 - Sensor Connections	24
Table 6 - Clock Parameters	11	Table 14 - Other Connections	25
Table 7 - Refrigerant List	12	Table 15 - Parameter List.....	25
Table 8 - Defrost Parameters.....	12		



Scan to watch an overview video
of an installation



Scan this QR to access to an interactive course
about XCM25D.
You will need to login or create an account before
you'll be able to access.
Course code: DL-XCM25D

**Revision tracking R4
September 2019**

Appendixes reordered.
All document: references to AE-1439 bulletin added.
Pg. 2 – QR code for interactive course added.

**Revision tracking R3
July 2019**

Pg. 6 – **Table 1** modified.
Pg. 9 – **Section 3.3.1** rewritten.
Pg. 12 – **Section 3.7** modified. Some content were removed from this section: Low Condensing Operation and Low Ambient Operation.
Pg. 18 – **Section 4.2.6** (Low ambient operation) modified. **Section 4.2.7** (Low condensing operation) added.

**Revision tracking R2
November 2018**

Pg. 6 – “Electrical Connections” Section Added.
Pg. 7 – Models added on Table 3: Electrical Data and Receiver Volume.
Pg. 11 – Low Ambient, Low Pressure Control Operations Section added.
Pg. 19 – Section added: Door Switch/Thermostat Control
Pg. 20 – Differential between the vapor inlet temperature and the vapor outlet temperature established in 18°F for all approved refrigerants
Pg. 22 – Section added: Low Temperature Units with DTC Protection
Pg. 23 – Section added: Low Temperature Small Scroll DLT Protection
Pg. 38 – Alarm codes 8 and 42 deleted from Alarm codes list.
Pg. 26 – D13 Cable and functionality added in Sensor Connections chart.
Pg. 29 – tLS added to Parameter List.
Pg. 29 – 39 – Connections Drawings updated.

Safety Instructions

Copeland Scroll™ compressors are manufactured according to the latest U.S. and European Safety Standards. Particular emphasis has been placed on the user's safety. Safety icons are explained below and safety instructions applicable to the products in this bulletin are grouped on Page 3. These instructions should be retained throughout the lifetime of the compressor. **You are strongly advised to follow these safety instructions.**

Safety Icon Explanation



DANGER indicates a hazardous situation which, if not avoided, will result in death or serious injury.



WARNING indicates a hazardous situation which, if not avoided, could result in death or serious injury.



CAUTION, used with the safety alert symbol, indicates a hazardous situation which, if not avoided, could result in minor or moderate injury.



NOTICE is used to address practices not related to personal injury.







CAUTION, without the safety alert symbol, is used to address practices not related to personal injury.



FLAMMABLE, Fire hazard! Sparking in a potentially explosive atmosphere! Explosion hazard!

Instructions Pertaining to Risk of Electrical Shock, Fire, or Injury to Persons

	<p>ELECTRICAL SHOCK HAZARD</p> <ul style="list-style-type: none"> • Disconnect and lock out power before servicing. • Discharge all capacitors before servicing. • Use compressor with grounded system only. • Molded electrical plug must be used when required. • Refer to original equipment wiring diagrams. • Electrical connections must be made by qualified electrical personnel. • Failure to follow these warnings could result in serious personal injury.
	<p>PRESSURIZED SYSTEM HAZARD</p> <ul style="list-style-type: none"> • System contains refrigerant and oil under pressure. • Remove refrigerant from both the high and low compressor side before removing compressor. • Never install a system and leave it unattended when it has no charge, a holding charge, or with the service valves closed without electrically locking out the system. • Use only approved refrigerants and refrigeration oils. • Personal safety equipment must be used. • Failure to follow these warnings could result in serious personal injury.
	<p>BURN HAZARD</p> <ul style="list-style-type: none"> • Do not touch the compressor until it has cooled down. • Ensure that materials and wiring do not touch high temperature areas of the compressor. • Use caution when brazing system components. • Personal safety equipment must be used. • Failure to follow these warnings could result in serious personal injury or property damage.
	<p>COMPRESSOR HANDLING</p> <ul style="list-style-type: none"> • Use the appropriate lifting devices to move compressors. • Personal safety equipment must be used. • Failure to follow these warnings could result in personal injury or property damage.

Safety Statements

- Refrigerant compressors must be employed only for their intended use.
- Only qualified and authorized HVACR personnel are permitted to install commission and maintain this equipment.
- Electrical connections must be made by qualified electrical personnel.
- All valid standards and codes for installing, servicing, and maintaining electrical and refrigeration equipment must be observed.

1 Introduction

Copeland Scroll™ Outdoor Refrigeration Units provide the benefits of scroll compressor technology, coupled with advanced diagnostic controls, to ensure reliable performance and operation in foodservice applications.

Units are available in 0.75 to 6 HP. All units are 208/230 volts and are available in single or three phase. All units come factory equipped with a heated and insulated receiver, service valves, pressure controls, defrost control, filter drier, moisture indicator, crankcase heater, variable speed condenser fan, CoreSense™ Protection and Diagnostics, and two-way communications standard.

An integrated electronic control module (Dixell XCM25D) provides operation, protection, and diagnostic features for the unit. The Dixell XCM25D Electronic Control Module with CoreSense™ technology (control module) on Copeland™ condensing units provides many benefits to the contractor and end-user. It is designed specifically for demanding refrigeration applications to ensure simple installation and precision operation. While the control module replaces mechanical adjustable low-pressure controls, fan cycle switches and other relays, it also has

additional features. These features include bump start, data storage, communication, and short cycling protection.

2 Inspection

Inspect unit for shipping damage. Immediately report any damage to the carrier. Check the unit nameplate to verify that the model number is correct for the application. Read all compressor and condensing unit warning labels.

3 Installation

A qualified refrigeration technician must install this system.

Table 1 - Specifications

Supply Voltage	187-253 VAC
Sound Level	53-55 dBa (Single fan) 58-59 dBa (Dual fan)

Table 2 - Nomenclature

X	F	A	M	-	0 2 0	Z	-	T F C	-	0 8 1
X = Outdoor	F = Multi-Refrigerant	A = Air Cooled	L = Low Temp M = Medium Temp. P = Multi- Application		Nominal HP: 008 = ¼ HP 015 = 1.5 HP 060 = 6 HP	Z = Scroll Compressor		CFV = 208/230v 1Ph. 60 Hz. TFC = 208/230v 3Ph. 60 Hz.		Bill of Material
Base Model								Electrical		BOM

3.1.1 Mounting Location

This unit can mount on the ground, roof, or on a wall. For ground mounting, place the unit on a level solid concrete slab with rubber strips between the feet and concrete, or on a suitable raised support structure (PN 074-7289-00).

For wall mounting, use a wall bracket system designed for mounting condensing units (PN 074-7286-00) or universal metal framing strut and follow the manufacturer's instructions. Follow local zoning and building codes for all mounting options.

Maintain 8 inches clearance on the unit's left and rear sides for air intake. Maintain 20 inches clearance on the unit's right, top and front panels for airflow and service access. (See **Figure 2**). Ensure that discharge air from one unit does not circulate to another unit.

3.1.2 Piping

Pipes must be sized for proper performance, and oil return. Follow ASHRAE guidelines for proper piping practices.

3.2 Electrical Connections

These units use spring cage type terminals for all electrical connections. Field power connections are labeled L1, L2, L3 (on three phase only), and G

(ground). Defrost connections are labeled 3, 4, X, and N to match labeling on most unit coolers. Terminals will accept up to #8 AWG wire for main power and #10 AWG for defrost connections. Wire sizes must be suitable for the Minimum Circuit Ampacity (MCA) of the unit. See **Table 3** for MCA values of each unit.

Strip wire insulation back to expose ½ inch bare wire. Firmly insert a small screwdriver into the square opening to open the spring cage. Insert the wire into the round opening and remove the screwdriver (see **Figure 1 - Electrical Connections**).

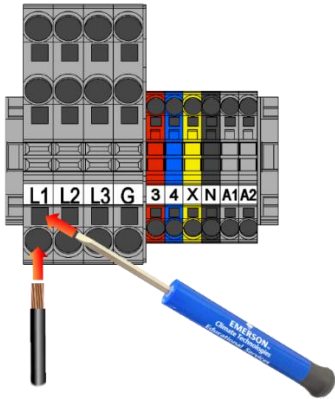


Figure 1 - Electrical Connections

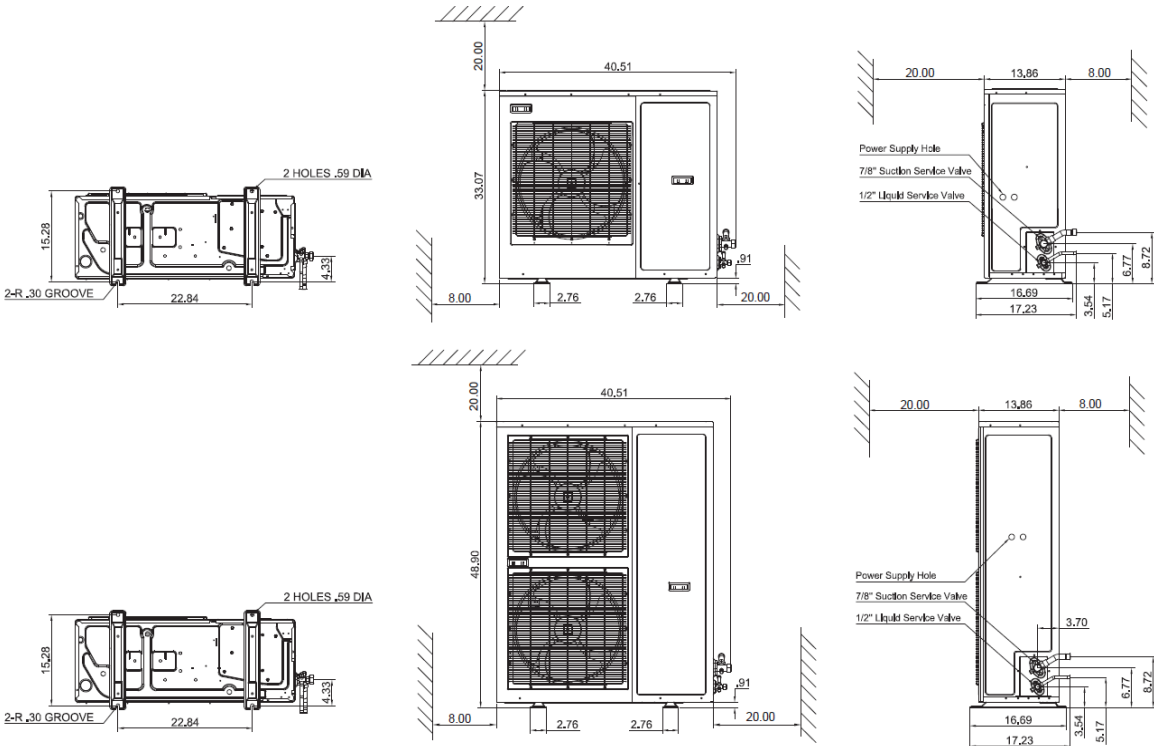


Figure 2 - Unit dimensions and clearance requirements

3.3 Evaporator connections and considerations

The X-Line unit can connect with any electric defrost or air defrost evaporator. Most evaporators will connect to the X-Line unit using the typical wiring of any other unit. Some newer evaporators with built in electronic controls may require some adjustments to parameter settings to avoid conflicts or false alarms. Evaporators with stand-alone power and controls do not need any connection to the X-Line unit. The unit will cycle based on suction pressure cut-in/cut-out.

If a situation occurs non-standard of a typical evaporator installation that could possibly require a communication link to the X line unit, contact the evaporator manufacturer for additional information in order to disable that requirement.

3.3.1 Evaporators with built-in Time Delay

Evaporators with a built-in time delay may conflict with the time-delay setting of the X-Line unit. To avoid conflicts, adjust parameter τ_{DF} on the X-Line to a time that is less than the time delay setting in the evaporator. Check with the evaporator manufacturer for information on the evaporator time delay setting.

3.3.2 Evaporators with built-in defrost controls

The connected evaporator has built-in defrost control, or if a third party defrost control is used, set the defrost mode on the X-Line unit (Parameter E_{dF}) to nU (off).

3.3.3 Evaporators with electronic expansion valves (EXV)

If the evaporator has an electronic expansion valve and control, additional energy savings are possible by adjusting the minimum condensing temperature (Parameter τ_{c5}) of the X-Line unit. See **Section 4.2.7 Low condensing operation** on **pg. 18**.

3.3.4 Superheat Requirements

In order to assure that liquid refrigerant does not return to the compressor during the running cycle, attention must be given to maintaining proper superheat at the compressor suction inlet. Emerson recommends a minimum of 20°F (11°C) superheat, measured on the suction line 6 inches (152mm) from the suction valve, to prevent liquid refrigerant floodback.

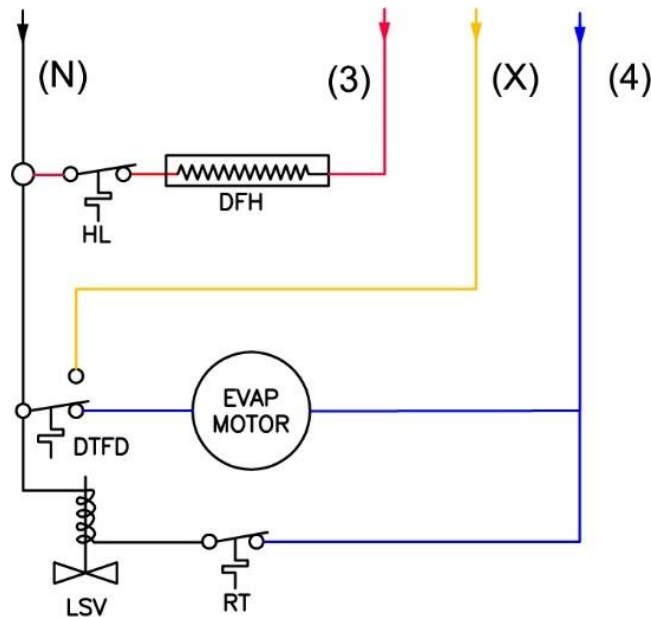


Figure 3 - Typical Unit Cooler

Table 4 - Refrigerant Liquid Temperature Valve Capacity Multiplier Correction Factors

	Refrigerant Liquid Temperature Entering TXV														
	0	10	20	30	40	50	60	70	80	90	100	110	120	130	140
R-22	1.56	1.51	1.45	1.40	1.34	1.29	1.23	1.17	1.12	1.06	1.00	0.94	0.88	0.82	0.76
R-404A	2.00	1.90	1.80	1.70	1.60	1.50	1.40	1.30	1.20	1.10	1.00	0.90	0.80	0.70	0.50
R-507	2.00	1.90	1.80	1.70	1.60	1.50	1.40	1.30	1.20	1.10	1.00	0.90	0.80	0.70	0.50
R-134a	1.70	1.63	1.56	1.49	1.42	1.36	1.29	1.21	1.14	1.07	1.00	0.93	0.85	0.78	0.71
R-407A	1.75	1.68	1.61	1.53	1.46	1.39	1.31	1.24	1.16	1.08	1.00	0.92	0.84	0.76	0.68
R-407C	1.69	1.62	1.55	1.49	1.42	1.35	1.28	1.21	1.14	1.07	1.00	0.93	0.86	0.79	0.72

These factors include corrections for liquid refrigerant density and net refrigerating effect and are based on an average evaporator temperature of 0°F. However, they may be used for any evaporator temperature from - 40°F to + 40°F since the variation in the actual factors across this range is insignificant.

3.4 Leak Check and Refrigerant Charging

Units are shipped with a dry air holding charge (11 lb.). Open the service valves to release the charge. Make sure the inside of copper tubes are clean before brazing line connections. Use a dry nitrogen bleed during brazing. Charging ports are provided on the liquid and suction service valves. Service valves should not be open to atmosphere longer than 15 minutes. Compressors with POE (polyolester) oil will quickly become contaminated when opened to atmosphere.

Pressurize the system to 185 PSIG with an approved pressure source to leak check. Use a leak detection solution or electronic leak detector following the manufacturer’s directions.

Evacuate system, then charge with the desired refrigerant.

3.5 Initial Startup

Copeland Scroll™ Outdoor Refrigeration Units are equipped with the latest in unit control and protection technology. When power is first applied, the unit will perform a series of diagnostic checks and protective actions.

3.5.1 Incorrect Phase Sequence Protection

On three-phase units, if an incorrect phase (L1, L2, L3) is detected, the control will prevent the compressor from starting and will display code L21. To correct, disconnect power and swap the L1 and L2 wires. The unit will start when power is reapplied.

3.5.2 Flooded start protection (Bump Start)

On initial startup, the compressor will cycle through a series of 3 short start and stops. The compressor will cycle on for 2 seconds, then off for 15 seconds. This process protects against flooded starts, and occurs any time power is lost and reapplied to the unit, or any time the unit is off for more than 4 hours and the ambient temperature is below 95°F.

3.5.3 Default Settings

The built-in control module comes factory set with default settings that allow the unit to run with commonly used settings (see **Table 5 - Default Settings**). No adjustments are needed during the initial startup and charging of the system. Adjustments can be made after the system is fully charged and operating.

Table 5 - Default Settings

Variable	Default Setting
Refrigerant	R-404A
Med. Temp. Suction Cut-In Pressure	25 psi
Med. Temp. Suction Cut-Out Pressure	15 psi
Low Temp. Suction Cut-In Pressure	20 psi
Low Temp. Suction Cut-Out Pressure	7 psi
Defrost Settings	Every 8 hours, 45-minute maximum duration

3.6 Main Settings

The default settings will allow the system to operate at a basic level. If R-404A refrigerant is used in the system, the unit can continue to operate with no additional settings adjustments. However, to take advantage of the on-board diagnostics, to optimize operation, or if a refrigerant other than R-404A is used, additional settings must be adjusted.

See **Appendix D** for a Quick Setup Guide.

3.6.1 How to Adjust Settings

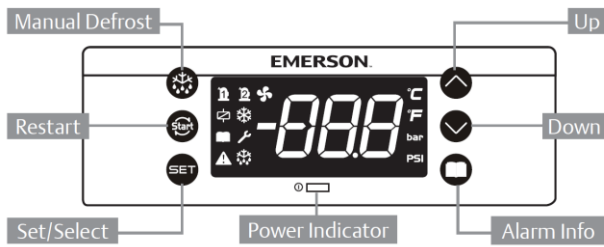


Figure 4 - Buttons Functions

1. Hold “SET” and “Down” for 3 seconds to enter programing mode.
2. Use “Up” and “Down” to cycle through settings and adjust values.
3. Use “Set” to select and accept settings.
4. Hold “SET” and “Up” to exit programing mode or wait 60 seconds for programing mode to time out.

3.6.2 Real Time Clock

The real-time clock is used to time and date stamp all errors and alarms in the on-board data log. It also allows a time-of-day based defrost schedule and a holiday defrost schedule.

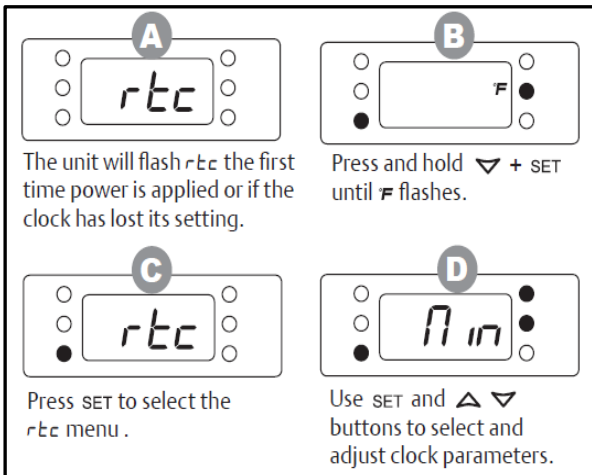


Figure 5 - Real Time Clock Setting

Table 6 - Clock Parameters

Par.	Description	Value Range
Min	Minute	0 – 59
hr	Hour	0 – 23
Day	Day	1 –31
Mon	Moth	1 –21
YEr	Year	0 –99



Scan to watch a video on how to set the clock.

3.6.3 Low Ambient, Low Pressure Control Operations

In the event if extreme low ambient conditions are present, there is an adjustment which is available in the advanced options menu to adjust the low-pressure control minimum on time as well as initiation temperature. See Parameter menu in **Section 4.2.6, Pg. 18**

3.6.4 Refrigerant and Pressure Control Settings

The correct refrigerant must be set to match what is installed in the system. This setting adjusts the values the control uses to decide if the unit is operating correctly and within set limits. Failure to set the refrigerant to match the refrigerant used can result in inefficient operation, and false alarms. The pressure control cut-in and cut-out set points should also be set for the specific application.

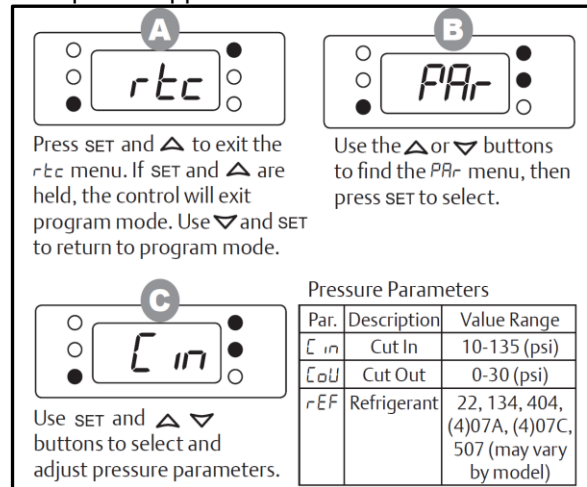


Figure 6 - Pressure Controls Settings

Table 7 - Refrigerant List

Refrigerant	REF Display
R-404A	404
R-507	507
R-134A	134
R-22	r22
R-407C	07c
R-407A	07A
R-407F	07F
R-448A	48A
R-449A	49A



Scan to watch a video on how to set the setpoints. Minute 8:40.

3.6.5 Defrost Mode Selection

The control module is capable of direct control of air defrost or electric defrost on single phase evaporators with up to 30-amp heaters. An additional contactor is required for use with three phase heaters. If the connected evaporator has built-in defrost control, or if a third party defrost control is used, set the defrost mode (EdF) to nU (off).

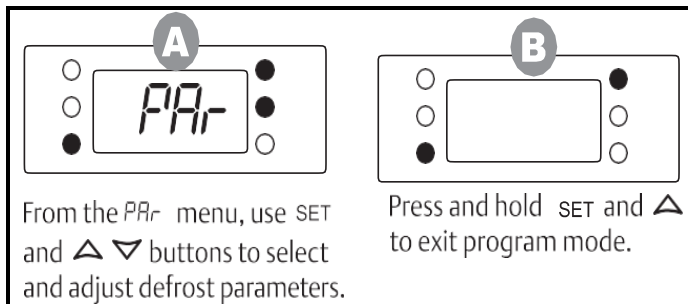


Figure 7 - Defrost Setting

Table 8 - Defrost Parameters

Par.	Description	Value Range
IdF	Interval between defrost	0 - 120 (hours)
nIdF	Max duration	0 - 255 (minutes)
EdF	Defrost mode	nU (off), In (interval), rEc (clock)
Ld1	1st start time	nU (not used), 0-23:50
Ld2	2nd start time	
Ld3	3rd start time	
Ld4	4th start time	
Ld5	5th start time	
Ld6	6th start time	



Scan to watch a video on how to set the defrost mode.

3.7 Advanced Settings

Several optional settings are provided to allow customization for specific application needs.

To access the advanced settings, select the PR5 (password) parameter from the PRr menu. Enter code "321" using the "Up" and "Down" buttons to adjust the value, and the "Set" button to accept the value.

3.7.1 Auto / Manual Restart

Compressor lockouts activate when conditions cause repeated compressor shutdowns. Default settings allow either 4 or 5 auto restarts (depending on cause). These settings can be changed to disable auto restarts, disable lockouts, or change the number of shutdowns allowed before a lockout occurs. The compressor safety and compressor protection sections of **Table 15** shows the lockout parameters that can be adjusted.

3.7.2 Anti-short cycle control

A minimum compressor off time is set to 120 seconds to prevent short-cycling and protect against compressor reverse rotation that can result from brief power interruptions on single phase systems. Some newer evaporator controls also include short-cycle protection. To avoid potential conflicts between two controls, the minimum compressor off time can be adjusted by changing parameter 2oF. Changing the value to 20 seconds will avoid conflicts with evaporator controls.

4 Use and Operation

4.1 User Interface

The controller display is shown below along with the function of each light. The controller displays the current suction pressure to three digits in pounds per square inch gage (psig). The controller uses a 7-segment display for digits and the following alpha characters:










The 7-segment alphabet and Roman equivalent:

A	b	C	d	E	F	H	I	L	M	n	o	P	q	r	S	t	U	y	0	1	2	3	4	5	6	7	8	9
A	B	C	D	E	F	H	I	L	M	n	o	P	q	r	S	T	U	Y	0	1	2	3	4	5	6	7	8	9












Figure 8 - Unit Display

Table 9 - LED Functions








LED	MODE	FUNCTION
	ON	Compressor enabled
	Flashing	Anti-short cycle delay enabled
	ON	Condensing fans enabled
	ON	Display temperature value in degrees F
	Flashing	Programming mode
	ON	Display pressure value in PSI
	ON	Browsing service menu
	Flashing	Fast access menu (Viewing set points and measured values)
	ON	Browsing the alarm menu
	Flashing	New alarm occurred
	ON	An alarm is occurring
	ON	In defrost or evap fan drip time when ON
	ON	Evaporator fans enabled

4.1.1 Button Descriptions and Key Combinations

	(SET) Select a parameter or confirm an operation when in programming mode.
	(RESTART) Hold for 5 seconds to reset any lockouts if the current state of the controller allows for reset. Allows a manual restart and a “dead band reset”.
	(UP) View current measured values (Fast Access Menu); in programming mode or any menu to browse the parameter codes or increase the displayed value.
	(DOWN) in programming mode or any menu to browse the parameter codes or decrease the displayed value.
	(SERVICE) To enter the service and alarm menu.
	Hold for 3 seconds to start a manual defrost
	Press and hold for about 3 sec to lock (ΠοV) or unlock (ΠοΦ) the keyboard.
	Press together to exit from programming mode or from menu; on submenus to return to previous level.
	Press together for 3 sec to access to first level of programming mode.

4.1.2 Changing a Parameter Value

To change a parameter value:






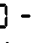
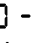
1. Hold down SET +  keys for 3 seconds or until the 'F' LED starts blinking to enter the module's programming menu.
2. Use  or  to select the r_{tc} or P_{Ar} menu
3. Press SET to enter the menu.
4. Use  or  to select the required parameter.
5. Press the SET key to display its value.
6. Use  or  to change its value.
7. Press SET to store the new value.

TO EXIT: Press SET +  or wait 60 seconds without pressing a key.

NOTE: The set value is stored even when the procedure is exited by waiting for the time-out to expire.

NOTE: If a menu does not have any parameters available, noP will be displayed

4.1.3 Entering the Advanced Options Menu

1. Hold down SET +  keys for 3 seconds or until the F LED starts blinking to enter the module's programming menu.
2. Use  or  to select the P_{Ar} menu
3. Press SET to enter the menu
4. Use  or  to select the P_{AS} parameter
5. Press SET to select P_{AS}
6. The blinking P_{AS} label will be showed for a few seconds
7. Will be showed  - - with blinking : insert the password [321] using the keys UP and DOWN and confirming with SET key.

4.1.4 Moving Parameters Between the Programming Menu and the Advanced Options Menu

While in the advanced options menu, certain parameters will have a (.period) in between the 2nd and 3rd character, for example [i.n. These parameters are in the Programming Menu as well as the Advanced Options Menu.

To add or remove a parameter from the programming menu, press the **SET + ▾** keys together while the parameter name is on the display in the advanced options menu. The (. period) between the 2nd and 3rd parameter will either be added or removed.

TO EXIT: Press **SET + ▲** or wait 60 seconds without pressing the keys.

4.1.5 Locking the Keypad

Press the **▲ + ▾** keys for 3 seconds.

The **PoF** message will be displayed and the keyboard will be locked. The Fast Access Menu will remain accessible while the keyboard is locked.

If a key is pressed more than 3 seconds the **PoF** message will be displayed.

4.1.6 Unlocking the Keypad

Press the **▲ + ▾** keys for 3 seconds until the **Pon** message is displayed.

4.1.7 Fast Access Menu

This menu allows viewing measured values from various probes and view some outputs resulting from these measurements. The values **nP** or **noP** stand for probe not present or value not evaluated. **Err** means the value is out of range, probe is damaged, not connected, or incorrectly configured.

Press to enter the Fast Access Menu.

Use up or down arrows to select an entry, then press set to see the value or to go on with other value.

TO EXIT: Press or wait 60 seconds without pressing the keys.







Table 10 - List of Fast Access Parameters

P iP	P1P	Suction pressure
P2t	P2t	Condenser temperature
P2P	P2P	Not Used
P3t	P3t	Discharge line temperature
P4t	P4t	EVI heat exchanger vapor inlet temperature (XFAL 2HP-6HP only)
PSt	PSt	EVI heat exchanger vapor outlet temperature (XFAL 2HP-6HP only)
P6t	P6t	Ambient temperature
P7t	P7t	Liquid line temperature (XFAL 2HP-6HP only)
5H	5H	Not used
oPP	oPP	Percentage of liquid injection (XFAP/XFAM) or vapor injection (XFAL 2HP-6HP) valve opening.
LLS	LLS	Not used
Std	Std	Current condenser temperature target for fan speed control
A00	A00	Fan speed percent
d5o	d5o	Not used
L t	L t	Not used
H t	H t	Not used
tU1	tU1	Line voltage (1-phase)
tU2	tU2	Line voltage (3-phase)
tU3	tU3	Line voltage (3-phase)
tA1	tA1	Current (1-phase)
tA2	tA2	Current (3-phase)
tA3	tA3	Current (3-phase)
HM	HM	Menu


4.1.8 Alarm Menu

The controller time-stamps and stores the last 50 alarms. See Section 11 for alarm codes.

Table 11 - Alarm Button Functions


Action	Button	Notes
Enter alarm menu		Push and release alarm key (Displays SEC when alarm menu is active)
Enter alarm list	SET	Press SET to confirm
Scroll through active and recorded alarm list	 Or 	Scroll the list of alarms and see the list of active alarms with the number of the alarm (Letter + Number, A01-A50). Push Down key and see the alarm Name or Code. Push Down key and see the next active alarm
Select the alarm to see the date and time	SET	Enter the sub menu with alarm time details
Scroll through alarm information data	 Or 	Successive presses of the down arrow button will display the clock data label (hour, minute, day, month, year) followed by the value of the preceding label. The up arrow will reverse this order and show the value followed by the label. The displayed values record the start time of an alarm.
Exit menu	SET + 	Press SET and UP together or wait about 10 seconds.

4.1.9 How to Program a HOT-KEY from the Controller (UPLOAD TO OVERWRITE HOT-KEY)

Caution: Overwrites hot key. When the controller is ON, insert the HOT-KEY into the 5-PIN receptacle (labeled H-K) and push the  button; the μ PL message appears followed a by a flashing End label.

Push SET button and the End will stop flashing.

Turn OFF the controller, remove the HOT-KEY and then turn the controller ON again.

NOTE: the Err message appears in case of a failed programming operation. In this case push the  again if you want to restart the upload again or remove the HOT-KEY to abort the operation.

4.1.10 How to Program a Controller Using a HOT-KEY (Download)

A hot key is included with each unit for factory reset and replacement control programming. Remove power from the unit.

Insert a pre-programmed HOT-KEY into the 5-PIN receptacle (labeled H-K) and reapply power to the unit.

The parameter list of the HOT-KEY will be automatically downloaded into the controller memory. The doL message will blink followed by a flashing End label.

After 10 seconds the controller will restart and begin working with the new parameters.

Remove the HOT-KEY

NOTE: The message Err is displayed for failed programming. In this case turn the unit off and then on if you want to restart the download again or remove the HOT-KEY to abort the operation

4.2 Condensing Unit Operational Control

4.2.1 System Operation

4.2.1.1 Liquid Line Solenoid Control

By default, the unit assumes that a liquid line solenoid is used to pump down the system during a defrost. When the unit enters a defrost, the evaporator power (Connection 3 on the terminal strip) will be turned off, turning off the liquid line solenoid as well. The unit will then run until the suction pressure drops below the cut-out value, then turn off the compressor. When the defrost is complete, the unit will apply power to the evaporator, opening the solenoid and the compressor will start running once the suction pressure is above the cut in.

If a pump down solenoid is not present or the unit should not pump down when entering a defrost, parameter ELS should be set to no. ELS is set to YES by default.

4.2.1.2 Door Switch/Thermostat Control

Kit Number 929-0220-16 can be used to connect to the device. Digital Input 3 (DI3 on the XCM25D) can be used as a door switch or a thermostatic On-Off control. In order to use DI3 for this purpose, technician must enter the Advanced Options Menu and adjust parameter i3P to OP. For instructions on adjusting this parameter, please see the sections on “**Entering the Advanced Options Menu**” and “**Changing a Parameter Value**” in this bulletin. After this occurs, condensing Unit will run when Switch/Thermostat is in the closed position and will be Off when the switch/Thermostat is open.

Please, note there is a warning (E66) programmed into the XCM25D if the door is open or thermostat does not call for cooling for longer than 255 consecutive minutes.

4.2.2 Unit Functions

The X-Line control module operates the condensing unit and ensures the system remains in correct operating conditions. It controls the following items:

- Compressor
- Condenser Fan Motor(s)
- Crank Case Heater
- Receiver Heater
- Defrost Heater (If connected)

The X-line Unit will protect the system from the following fault conditions (See Sections 6.23 through 6.31 for further details):

- Discharge Line Temperature Protection
- Over-Current Protection

Incorrect Phase Sequence Protection (3 Phase Only)

Loss of Phase Protection - Current (3 Phase Only)

Open Run Circuit (Single Phase Only)

Open Start Circuit (Single Phase Only)

Over/ Under Voltage Protection

Phase Imbalance (3 Phase Only)

Compressor Internal Thermal Protection

Fixed High Pressure Control

In addition, the X-Line unit has protection features that will prevent it from reaching a fault condition. For example, when the low temperature unit experiences an extremely hot day, the control module decides to switch from vapor-injection-optimization to discharge gas temperature control to allow the compressor to run safely and pass the extreme weather hours.

4.2.3 Controller Startup

At initial power up, the controller display will display the following information:

All LEDs will light up for approximately 2 seconds.

For 3 seconds, the controller will display the firmware version (EX: 1.0, 1.1, etc.)

For three seconds the controller will display the program number (EX: 100, 101, 200, etc.)

The controller will then wait 6 seconds before turning on the compressor or any other device.

Once the controller calls for the compressor to run and there are no active alarms, the controller will then turn on the compressor utilizing bump start (if needed per Section 6.15) and control the fans and compressor.

4.2.4 Bump Start Control Operation

If the ambient temperature sensor reads less than 95°F when the controller is first turned on or after the compressor has been off for 4 hours and now is being turned on, the compressor will initiate a bump start. If the ambient temperature sensor is not functioning, the mid-coil temperature sensor will determine if the unit will initiate a bump start or not.

The compressor and fans will run for 2 seconds then turn off for 15 seconds three times. Once this sequence is completed, the unit resumes normal operation.

The crank case heater will remain off during the bump start sequence.

If liquid injection, vapor injection, or a system EXV is present, the stepper valve will remain closed until the bump start has finished.

In the event of a power loss, the controller can be programmed to enter a defrost at power up if dP_o is set to $4E5$. It is turned off by default but is adjustable from the advanced options menu.

4.2.5 Compressor Stop Program

When the compressor needs to turn off, either based on an error or loss of demand, the following items will occur:

- Liquid or Vapor Injection Only: If a non-error shutdown occurs, compressor runs for 5 seconds before turning off to allow the liquid of vapor injection valves to fully close.
- Compressor turns off
- Condenser fans turn off

Crankcase heater turned on (See **Section 4.3.2**)

NOTE: During the pump down process with the 5 second delay the compressor may run down into a vacuum. There are no reliability issues in this application.

4.2.6 Low ambient operation

XF Outdoor Condensing Units include features designed for operation at low ambient temperatures as standard equipment. The units come factory supplied with components such as heated and insulated receivers, a check valve installed between the outlet of the condenser and the inlet of the receiver, a pressure relief valve installed on the unit receiver, as well as an adjustable low-pressure control time delay. However, proper overall system design is required to ensure proper starting and operation at low ambient temperatures. Different approaches for proper low-ambient, cold weather control may be acceptable if properly applied. Factors such as system size, type of application, severity of expected weather conditions and unit location must be taken into consideration.

The unit will automatically adjust condenser fan speed to maintain head pressure. At extremely low ambient temperature the condenser fan might not run, but the condenser coil is still discharging heat. Parameter LRS sets the ambient temperature required to initiate low pressure control bypass time delay. The default value is $-20^{\circ}F$. Parameter LRO sets the low ambient minimum on time. The default value is 6 seconds. Below $-20^{\circ}F$ ambient, when the condensing unit starts it will run for a minimum of 6 seconds even if the suction pressure drops below the cut-out set point.

4.2.7 Low condensing operation

NOTICE

The unit is factory set with a default minimum condensing value of $70^{\circ}F$ ($80^{\circ}F$ for XFAL). To fully utilize low condensing options below $70^{\circ}F$ condensing, an electronic expansion valve (EXV) is normally required to handle the larger variation in mass flows. If a system EXV is installed, the minimum condensing value can be lowered by changing parameter LRS in the advanced options menu. The system will monitor operating conditions and automatically adjust the minimum condensing value if the compressor operating envelope would be exceeded.

4.3 Component Controls

4.3.1 Suction Pressure Control

The compressor is operated based on the suction pressure cut-in (Lri) and cut-out (Lro). If the suction pressure rises above the cut-in, the compressor is turned on using the startup procedure (See **Section 4.2.3**). If the suction pressure then falls below the cut-out, it turns the compressor off using the shutdown procedure (See **Section 4.2.5**).

The compressor remains off for a minimum 120 seconds ($20F$) after shutdown, which is adjustable in the advanced options menu (See **Section 3.7**).

If the suction pressure transducer fails, the compressor will run in limp along mode. The compressor will stay off for 3 minutes (Lof) then run for 3 minutes (Lon). These values are adjustable from the advanced options menu (See **Section 3.7**).

The cut-in and cut-out settings are adjustable between 0 PSIG and 135 PSIG.

IMPORTANT: At initial power up, depending on the suction pressure transducer, the suction pressure could be higher than the rating of the transducer. For 15 minutes after power up, any over pressure errors generated by the suction pressure transducer should be ignored, and the display will flash 135 . If the transducer is still in an error state after the time has expired, the control will alarm that the suction pressure transducer signal is lost and go into limp along mode.

4.3.2 Crankcase Heater

The crankcase heater is energized when the ambient temperature is below $50^{\circ}F$ and the compressor is off. If an ambient sensor fails, the crankcase heater is energized when the compressor is off.

4.3.3 Fan Control

The X-line uses variable speed PSC condenser fan motors to maintain the head pressure values that allow the system to operate within the compressor operating envelope and maintain the minimum pressure differential across the expansion device to allow it to operate properly.

The controller uses a Proportional-Integral (PI) control algorithm to determine the fan speed. The fans will not run any slower than 40% before turning off. When a fan first turns on it will run for 3 seconds at full speed before it begins modulating. Fans will run for at least 10 seconds before turning off and stay off for at least 10 seconds before being turned back on.

Since the X-Line controller knows the current suction pressure, the controller can determine the minimum condensing point for the condition the unit is actually running and will adjust the fan control set point to maintain that temperature or higher.

The XFAP/XFAM and XFAL models have different compressors and different refrigerant options. Therefore, during commissioning, it is important to identify the selected refrigerant, so the controller will operate the fans properly.

4.3.4 Fan Overrides and Error Handling

If the discharge line temperature is above 205°F the fans will run at full speed.

If the condenser mid-coil temperature sensor fails, the fan speed is determined by outdoor ambient. If both the outdoor ambient sensor and the condenser mid-coil temperature sensor fail, all fans will run at full speed.

4.3.5 Defrost Functionality

The control module is capable of direct control of air defrost or electric defrost on single phase evaporators with up to 30-amp heaters. An additional contactor is required for use with three phase heaters. Default settings are set to initiate a defrost every 8 hours with a maximum duration of 45 minutes. During a defrost the controller will display **dEF**.

To manually initiate a defrost, press and hold the defrost button for 3 seconds. The controller will terminate defrost after 45 minutes **ndF** (**Pr** parameter) or after the defrost termination input (Terminal 'X') is closed.

The defrost control can also operate on a time-of-day schedule (**rtc**) or disabled if needed (**nd**). Parameters **Ld** through **Ld6** control the times when defrosts will initiate when using the rtc mode.

Defrost Parameter are depicted in **Table 8 - Defrost Parameters**.



Figure 9 - Defrost Button Position

4.3.5.1 Holiday Defrosts

If you are using real time clock mode (**rtc**), holiday defrosts can be set in the advanced options menu. To set a holiday, change **Hd** 1 from **nd** to whatever day of the week you would like to have a different defrost schedule. (An example would be if a store is closed on Sundays and needs less defrosts). You can set a second holiday by changing **Hd** 2. The defrosts for the set holidays are controlled by parameters **5d** 1 through **5d** 6.

4.3.6 Enhanced Vapor Injection (EVI) For Low Temperature Units (2HP-6HP)

The injection valve is a key part of the EVI system. It regulates vapor injection flow to optimize the performance of system and cool the scroll set. When the compressor first calls for power, the injection valve opens a preset amount before the compressor turns on. After startup, the EVI injection valve is controlled using a proportional-integral (PI) algorithm to control the differential between the vapor inlet temperature and the vapor outlet temperature. The differential is 18°F for all approved refrigerants. The PI algorithm for the EVI injection valve control is auto-adaptive, so it does not need to be adjusted.

4.3.6.1 Low Temp EVI Discharge Line. Temperature Protection Mode (2HP-6HP)

If during normal operation the DLT temperature reaches 225°F the control changes to act as a liquid injection valve to control the DLT temperature. Once the DLT temperature falls below 200°F, normal vapor injection control resumes.

If the discharge temperature goes above 250°F, the compressor trips off and the control displays an **E44** error. The compressor cannot turn back on until the temperature drops below 170°F and has been off for 3 minutes.

If the compressor trips more than 4 times per hour (**dLn**), the controller will lock out the compressor, requiring a

manual reset or the controller power to be reset. The controller will display **L44** showing the compressor has tripped on high DLT and locked out. If parameter **dLn**, which is available in the advanced options menu, is set to 0, the unit will always automatically reset.

4.3.6.2 Low Temp EVI (2HP-6HP) Discharge Line Temperature Protection Error Handling

In case of DLT failure, the injection valve operates based on the mid coil and ambient sensor.

If the DLT sensor fails and a mid-coil temperature sensor is available, the injection valve will be opened based on the mid coil temperature. If the mid coil sensor fails in addition to the DLT sensor, the injection valve is controlled by the ambient temperature.

4.3.6.3 EVI System Checks (XFAL 2HP-6 HP units only)

An **E47** warning code means that the injection valve has been fully open longer than 3 minutes. An **E48** warning code means that the temperature difference across the EVI heat exchanger is higher than expected for 3 minutes. These are only warnings but are likely due to loss of refrigerant charge or undercharge.

4.3.6.4 Constant Liquid Temperature Mode. For Low Ambient EVI Injection (2HP-6HP)

Subcooling is generally good, but liquid refrigerant that is too cold can create sizing problems for TXVs. If the ambient is below 30°F, discharge temperature is generally well under control and so the controller disables vapor injection to operate in constant liquid temperature mode. The low ambient temperature will generate enough subcooling for the system without the need for injection. Emerson recommends a balanced port TXV (or EXV) for low ambient operation.

4.3.6.5 Low Temperature Units With EVI TXV Selection

For use with **2HP-6HP XFAL models**, Emerson recommends a balanced port TXV because it offers a wider operating range for floating liquid temperatures. In addition, the unit liquid line should be insulated since the liquid line temperature will be lower than the ambient temperature.

See **Table 4** on **page 10** for specifics regarding balanced port sizing recommendations. Applied with the low temp units it is recommended that a balanced port expansion valve be used along with a complete review of the distributor and nozzle (orifice) that is supplied with the evaporator coil being matched with the applicable condensing unit. Typically, nozzles are selected for

standard TXV sizing using 100°F liquid, with the low temperature X-Line units those typical selections could be grossly oversized. See **Table 4** on **page 10** for the liquid correction safety factors when selecting those components.

4.3.6.6 Low Temperature Units with DTC Protection

XFAL-008Z/009Z/010Z/012Z units apply the ZF..KAE low temperature compressor which are provided with an injection port that is used for liquid injection protection. The purpose of the DTC valve is to provide protection when required during approved operation of the units noted above.

For the liquid injection system to be effective, a minimum of 5°F subcooled liquid at the DTC inlet is required.

A discharge line thermostat is included in the system which is applied with in the XCM25D control circuit. In the event an issue occurs with the injection circuit, the thermostat attached to the compressor discharge line will signal the controller to shut down the system.

If the discharge temperature goes above 250°F, the compressor trips off and the control displays an **E44** error. The compressor cannot turn back on until the temperature drops below 170°F and has been off for 3 minutes.

If the compressor trips more than 4 times per hour (**dLn**), the controller will lock out the compressor, requiring a manual reset or the controller power to be reset. The controller will display **L44** showing the compressor has tripped on high DLT and locked out.

Insulating the liquid line is not necessary. Also, selection of a balanced port valve is not required, but be sure to follow manufacturers guidelines for proper valve selection.

4.3.7 Medium Temperature DLT Protection

Medium Temperature units have liquid injection through the suction line to prevent compressor overheat during extreme ambient operations. The liquid injection will keep discharge temperatures below 235°F.

If the discharge temperature goes above 255°F, the compressor trips and then the controller shows an **E44** error. The compressor cannot turn back on until the discharge line temperature drops below 170°F and has been off for at least 3 minutes.

If the compressor trips more than 4 times in an hour (**dLn**) on DLT, the controller will lock out the compressor, requiring a manual reset or the controller power to be reset. The controller will display **L44**

showing the compressor has tripped on high DLT and is locked out. If parameter dLn , which is available in the advanced options menu, is set to 0, the unit will always automatically reset.

See Section 12 for 86k Thermistor probe resistance values. Discharge line sensor is 86k, all other temperature sensors on this unit are 10k.

4.3.7.1 Medium Temperature DLT Protection Error Handling

In case of DLT sensor failure, injection is determined by the mid coil and ambient sensor.

If the DLT sensor fails and a mid-coil temperature sensor is available, the injection valve will be opened based on the mid coil temperature. If the mid coil sensor fails in addition to the DLT sensor, the injection is determined by the ambient temperature.

4.3.8 Low Temperature Small Scroll DLT Protection

The low temperature small scroll models are provided with an injection port that can be used for liquid injection.

Liquid injection is required when using the ZF*KAE scrolls for liquid injection operation, a discharge temperature control (DTC) valve must be applied.

The purpose of the DTC valve is to maintain safe internal operating temperatures.

If during normal operation the DLT temperature reaches 250°F +/- 5 degrees, the DTC valve will begin injection.

If the discharge temperature goes above 255°F, the compressor trips off and the control displays an E44 error. The compressor cannot turn back on until the temperature drops below 170°F and has been off for 3 minutes.

If the compressor trips more than 4 times per hour (dLn), the controller will lock out the compressor, requiring a manual reset or the controller power to be reset. The controller will display L44 showing the compressor has tripped on high DLT and locked out. If parameter dLn , which is available in the advanced options menu, is set to 0, the unit will always automatically reset.

4.3.9 Over-Current Protection

Current is measured using the two current transducers installed on the controller. If the current exceeds the compressor MCC, the controller will stop the compressor for 3 minutes and signal error E23. A separate parameter $nC2$ is available to allow adjust the maximum current value down, but not up, in the advanced options menu.

To avoid any fault triggering during the compressor startup period caused by the high inrush current, current sensing is not processed by the controller until 6 seconds after compressor startup.

If the compressor trips more than 5 times in an hour (default) on high current, the controller will lock out the compressor and display an L23 lockout, requiring a manual reset or the controller power to be reset. If the parameter oLn , which is available in the advanced options menu, is set to 0, then the unit will always reset.

4.3.10 Incorrect Phase Sequence Protection (3 Phase Only)

The controller determines whether the sequence of three phase supply lines is proper or not. The voltage sensing terminals are connected to the 3-phase supply of the compressors. If an incorrect phase (L1, L2, and L3) is detected, the controller will trip compressor immediately and display an L21 lockout code. The compressor will not restart until the power to the unit is turned off and L1 and L2 are switched. The reset button will not work with this error.

4.3.11 Loss of Phase Protection - Current (3 Phase Only)

The unit controller detects whether or not all the three phase supplies are available. If a phase is missing, the controller will shut down the compressor and display an E20 error code and prevent the compressor from restarting for 3 minutes. If the unit is shut down more than 5 times in an hour (default), then unit will lock out and display an L20 lockout code. If the parameter (PEn) is set to 0, the unit will always automatically reset.

4.3.12 Open Run Circuit (Single Phase Only)

After the compressor is started and runs for 6 seconds, if there is no run circuit current and the start current is still greater than 1 amp, the controller will display an E24 error for open run circuit and shut down the compressor. The compressor will not restart for 3 minutes in the event of a trip.

If the unit is shut down more than 5 times in an hour (oLn), then the unit locks out and display a L24 lockout code. If the parameter (oLn) is set to 0, the unit will always automatically reset.

4.3.13 Open Start Circuit (Single Phase Only)

Immediately after startup, if there is no start current for the first 500ms and the run current is greater than 1 amp, the controller will display an E25 error for open start circuit and shut down the compressor. The compressor will not restart for 3 minutes in the event of a trip. If the unit is shut down more than 5 times in an

hour (P_{LN}), then the units locks out and display an L₂₅ lockout code. If the parameter (P_{LN}) is set to 0, the unit will always automatically reset.

4.3.14 Over/ Under Voltage Protection

If the voltage drops below 10% of the minimum rated voltage or above 10% of the maximum rated voltage for 1 second, the controller will shut off the compressor and display an E₂₆ (under voltage) or E₂₇ (over voltage) error code until the voltage is back within acceptable range and the compressor has been off for 3 minutes (P_{LN}).

If the compressor trips more than 5 times per hour (Default), the controller will lock out the compressor, requiring a manual reset or the controller power to be reset. If the parameter (P_{EN}) is set to 0, then the unit will always reset. The controller will display an L₂₆ (lockout, under voltage) or L₂₇ (lockout over voltage).

Phase Imbalance (3 Phase Only)

If the voltage in a given leg drops below 5% of the average voltage of the 3 legs for 1 second, the controller will display E₂₂ and shut the unit down (based on a parameter P_{IL}) for 5 minutes and until the phase imbalance is corrected.

4.3.15 Compressor Internal Thermal Protection

If the compressor's internal thermal protector trips, the contactor fails, or the contactor is miswired, the controller will detect the loss of current and display an E₂₈ warning code. This happens if both of the current transducers do not sense current for 1 second when the controller sends a compressor run signal. To avoid any fault triggering during the compressor startup period caused by the high inrush current, current sensing is not processed by the controller until 6 seconds after compressor startup.

4.3.16 Fixed High Pressure Control

The high pressure control is a nonadjustable pressure switch that opens at 440 +/- 10 psig and resets at 348psig in the event of high discharge pressure. If the high pressure switch is open, the compressor shuts off immediately, ignoring any overrides. As long as the high pressure switch is open, the compressor will not run. The compressor will stay off for 3 minutes regardless of when the pressure switch resets.---E₄₀ will be displayed while the unit is shut down.

If the compressor trips more than 5 times per hour, the controller will lock out the compressor, requiring a manual reset or the unit power to be reset. Error code

L₄₀ means the compressor tripped on high pressure and is locked out. If the parameter HP_n is set to 0, the unit will always automatically reset.

4.3.17 Alarm Contact

The alarm contact (A1 and A2 on terminal block) is a dry contact that can be wired to an external warning device such as a buzzer or light. This relay has a 5 Amp limit, up to 250V. The alarm contact will close in the event of an alarm or lockout.

4.3.18 Anti-Flood Back Warning

System Liquid Flood Back Warning Logic:

High-side superheat is the discharge line temperature minus the mid-coil temperature. If high-side superheat is less than 18°F for longer than 30 minutes during the last 45 minutes, the controller will display E₅₀, but continue running the system. When the high-side superheat climbs above 18°F for 30 minutes, then the warning signal stops.

4.3.19 High Condensing Temperature Warning

An E₄₆ warning means the condensing temperature exceeded 150°F. The fans will run at full speed, but the compressor does not shut down. The warning clears when the temperature drops below 140°F.

4.4 Local and Remote Displays and Communication

The controller can communicate with Modbus RTU RS485 supervisory controllers.

4.4.1 Remote Display

An optional remote display (943-0058-00) is available. The display can be mounted up to 30 feet from the unit. To connect and configure the remote display, follow the instructions included with the remote display

4.4.2 PC Connection

PC software is available to enable control of the unit from a computer. The software can be found in the software section of the Online Product Information (OPI) site: [Emerson/OPI](#)

A USB to RS485 adapter is also required. Emerson recommends FTDI USB-RS485-WE-1800-BT CABLE, USB TO RS485 SERIAL, 1.8M, WIRE END it is available on Amazon here: <http://a.co/d/0gJliFZ>

See [AE-1439](#) for detailed information

4.4.3 Supervisory controls

The X-Line unit can connect with most supervisory controls that use the RS485 ModBus communication Protocol. See [AE-1439](#) for E2 connection information.

For connection to non-Emerson supervisory controls, contact your local Emerson Sales representative for support.

4.5 Control Module Overview

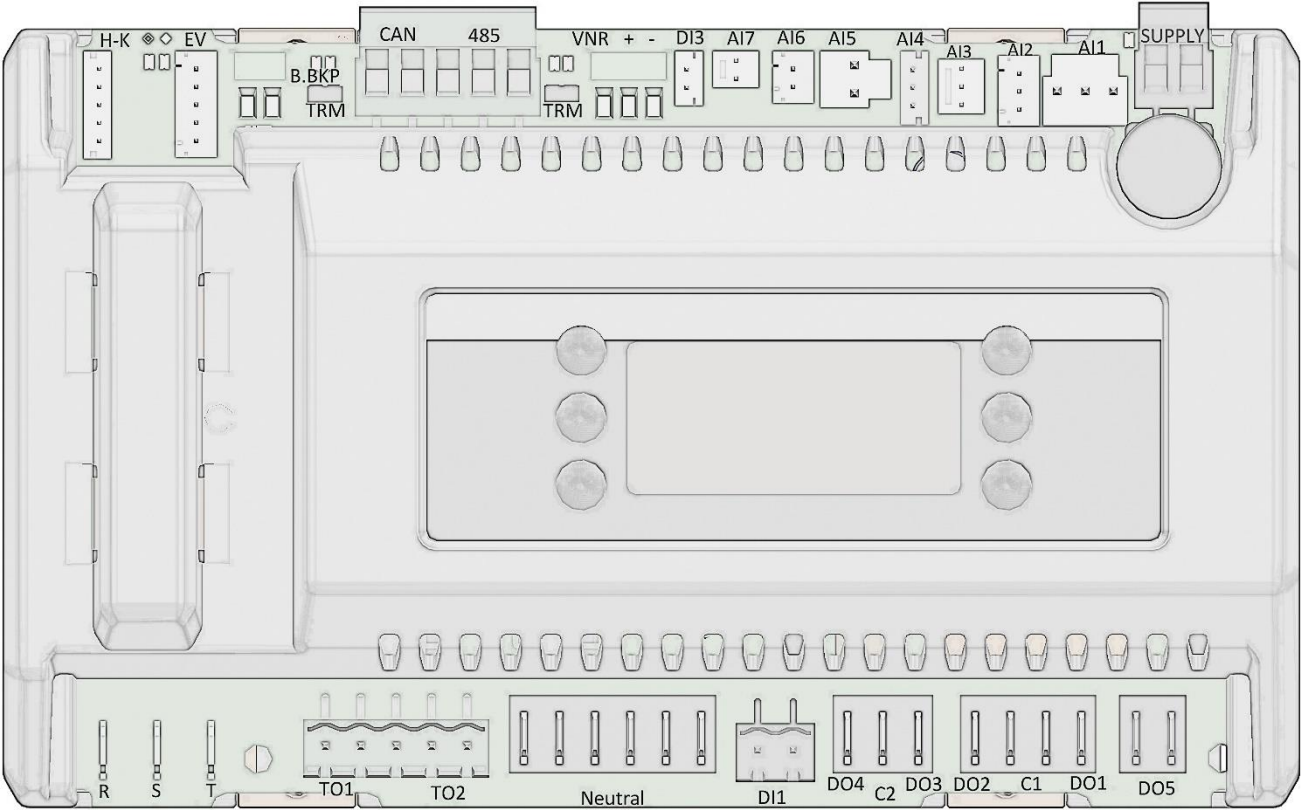


Figure 10 - Controller

NOTE: There is no field wiring to this controller except for communications. The transformer wired in the unit is for the controller only. Do not tap off the transformer to power any other devices. When removing a connector, do not pull on the wire.

Table 12 - High Voltage Connections

Label	Connector(s)	Electrical Limit (250VAC Max)	Function
C1	¼" Spade Connectors (2)	25A Max Current (16A Max Each Spade)	Provides Power for Defrost Heater and Evaporator Fan Relays
D01	¼" Spade Connector	16A Relay	Operates 40A Evaporator Fan Relay
D02	¼" Spade Connector	16A Relay	Operates 40A Defrost Heater Relay
C2	¼" Spade Connector	16A Max Current	Provides Power to Compressor Relay and CCH/RH Relays
D03	¼" Spade Connector	5A Relay	Operates Compressor Contactor
D04	¼" Spade Connector	8A Relay	Powers Crankcase Heater and Receiver Heater
D05	¼" Spade Connectors (2)	5A Relay	Dry (Switch Only) Alarm Contact
DI1		250VAC Max	Left Terminal – Defrost Termination Input Right Terminal – L2
Neutral	¼" Spade Connectors (6)	25A Max Current (16A Max Each Spade)	L1 Common Terminal Strip
R	¼" Spade Connector	480V Max	L1 Voltage Sensing
S	¼" Spade Connector	480V Max	L2 Voltage Sensing
T	¼" Spade Connector	480V Max	L3 Voltage Sensing (3 Phase Only)
SUPPLY		24VAC, 40VA	Controller Power Supply
T01		2A Wave Form Chopping Triac	Variable Speed PSC Fan Motor Control
T02		Not Used	For Future Use

Table 13 - Sensor Connections

Label	Function	Type
AI1	Suction Pressure Transducer	0.5 to 4.5 VDC Ratio metric
AI2	Condenser Temperature Sensor	10k NTC (See Section 12 for values)
AI3	Discharge Line Temperature Sensor	86k NTC (See Section 12 for values)
AI4	EVI Heat Exchanger Inlet Vapor Temperature Sensor (Low Temp Only)	10k NTC (See Section 12 for values)
AI5	EVI Heat Exchanger Outlet Vapor Temperature Sensor (Low Temp Only)	10k NTC (See Section 12 for values)
AI6	Ambient Temperature Sensor	10k NTC (See Section 12 for values)
AI7	Liquid Line Temperature Sensor (Low Temp Only)	10k NTC (See Section 12 for values)
DI3	Door Switch / ON-OFF Thermostat Dry Switch	NC Switch, 999-0220-16 Cable
EV	Liquid or Vapor Injection Valve	12VDC Stepper

Table 14 - Other Connections

Label	Functions
VNR	Remote Display Connection
Connect + to + and – to -	
RS485	RS-485 Communications
CANBUS	Future Use
B.BKP	Future Use
H-K	Hotkey programming (use with part # 043-0171-01 to reset control)

Table 15 - Parameter List

Label	Description	Default	Range
Default Display Value			
	Current Suction Pressure (PSIG)		
Adjustable in Programming Menu			
Compressor			
Cin / C_{in}	Compressor cut in pressure set point (PSIG)	25.0	Cou - 135
CoU / C_{oU}	Compressor cut out pressure set point (PSIG)	15.0	0 - Cin
rEF / r_{EF}	Refrigerant Selection for Regulation	R404A	All unit Refs
Low Side Control			
idF / i_{dF}	interval between defrost cycles (hour)	8	0 - 120
MdF / m_{dF}	Maximum length for defrost (min)	45	0 - 255
EdF / e_{dF}	Defrost interval mode	in	nu, in, RTC
Ld1 / L_{d1}	Workday defrost start 1 (hour)	6:00	nu, 0:00 - 23:50
Ld2 / L_{d2}	Workday defrost start 2 (hour)	13:00	nu, 0:00 - 23:50
Ld3 / L_{d3}	Workday defrost start 3 (hour)	21:00	nu, 0:00 - 23:50
Ld4 / L_{d4}	Workday defrost start 4 (hour)	nu	nu, 0:00 - 23:50
Ld5 / L_{d5}	Workday defrost start 5 (hour)	nu	nu, 0:00 - 23:50
Ld6 / L_{d6}	Workday defrost start 6 (hour)	nu	nu, 0:00 - 23:50

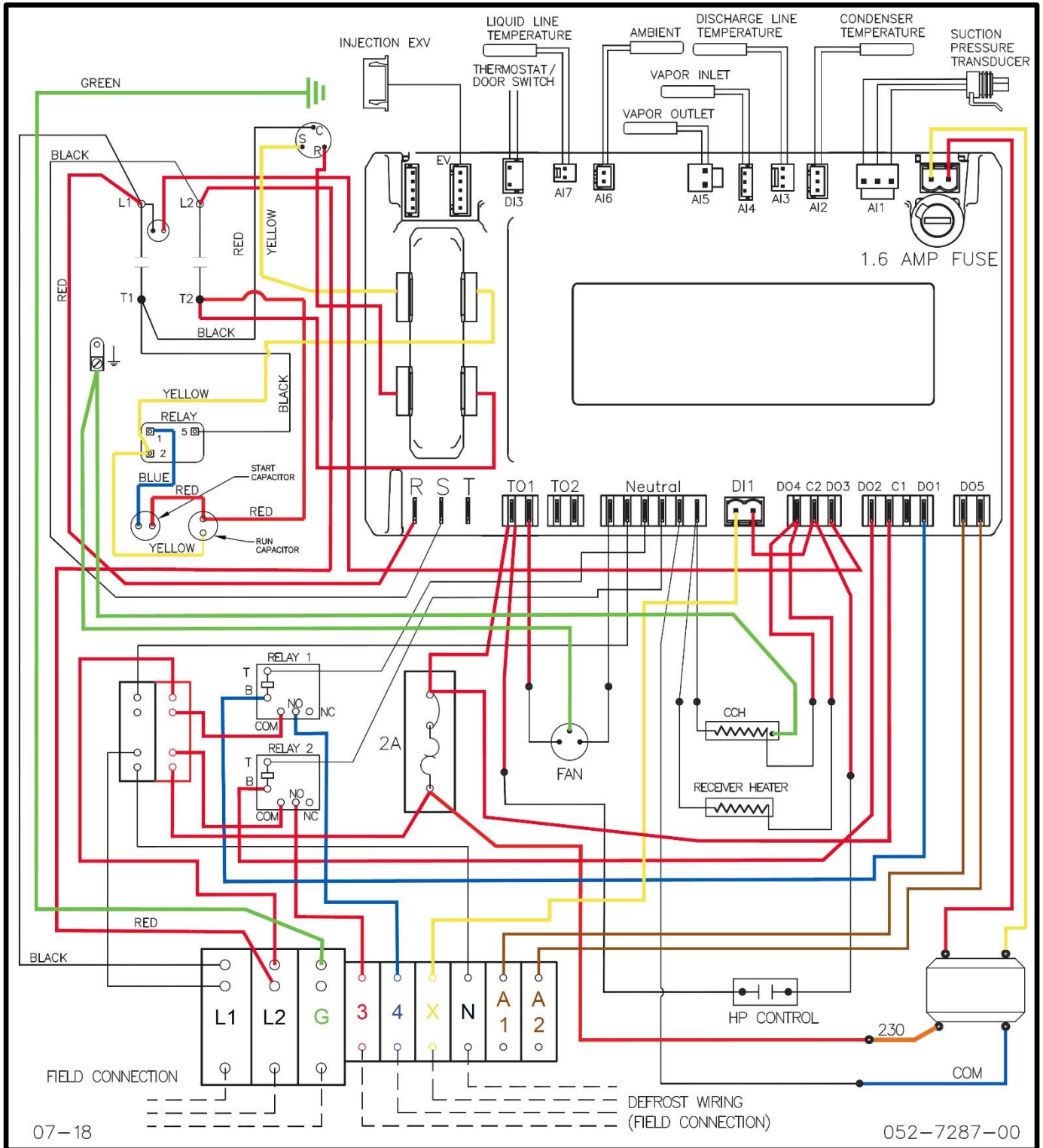
Parameter List, continued

Label	Description	Default	Range
Real Time Clock			
Min / Π_{in}	Current minute		0 - 59
Hr / H_r	Current hour		0 - 23
MdY / ΠdY	day of month		1 - 31
Mon / Π_{on}	month		1 - 12
YEr / YEr	year		0 - 99
Password			
PAS / PR_5	Enter into PR2 level	321	(blank)
Adjustable from Advanced Options Menu			
Probe Configuration			
P1F / P_{IF}	Probe P1 calibration (PSIG)	0.0	-12.0 - 12.0
Display			
Lod / L_{od}	Remote Display visualization	P1	P1 - P7
Compressor			
LAS / L_{AS}	Ambient temperature required to initiate low ambient on time (°F)	-20	-40 - 230
LMO / $L_{\Pi o}$	Low ambient minimum on time (sec)	6	0 - 255
Compressor Safety			
odS / od_5	Output delay at start up (sec)	6	0 - 255
Con / C_{on}	Compressor On time with faulty probe (min)	3	0 - 255
CoF / C_{oF}	Compressor OFF time with faulty probe (min)	3	0 - 255
2oF / 2_{oF}	Compressor Minimum Off Time (sec)	120	1 - 900
HPn / HP_n	Number of high pressure switch activation before compressor lock	5	0 - 15
bMP / b_{MP}	Bump start enable	YES	no, yes
dLn / dL_n	Number of activation of DLT in a hour to lock compressor	4	0 - 15
Condenser Fan			
MCS / ΠC_5	Minimum Condenser set point (°F)	70 - XFAP 80 - XFAL	-40 - 230
Low Side Control			
dFd / dF_d	Display during defrost	dEF	DEF, Setpoint, Initial Pressure, End Pressure

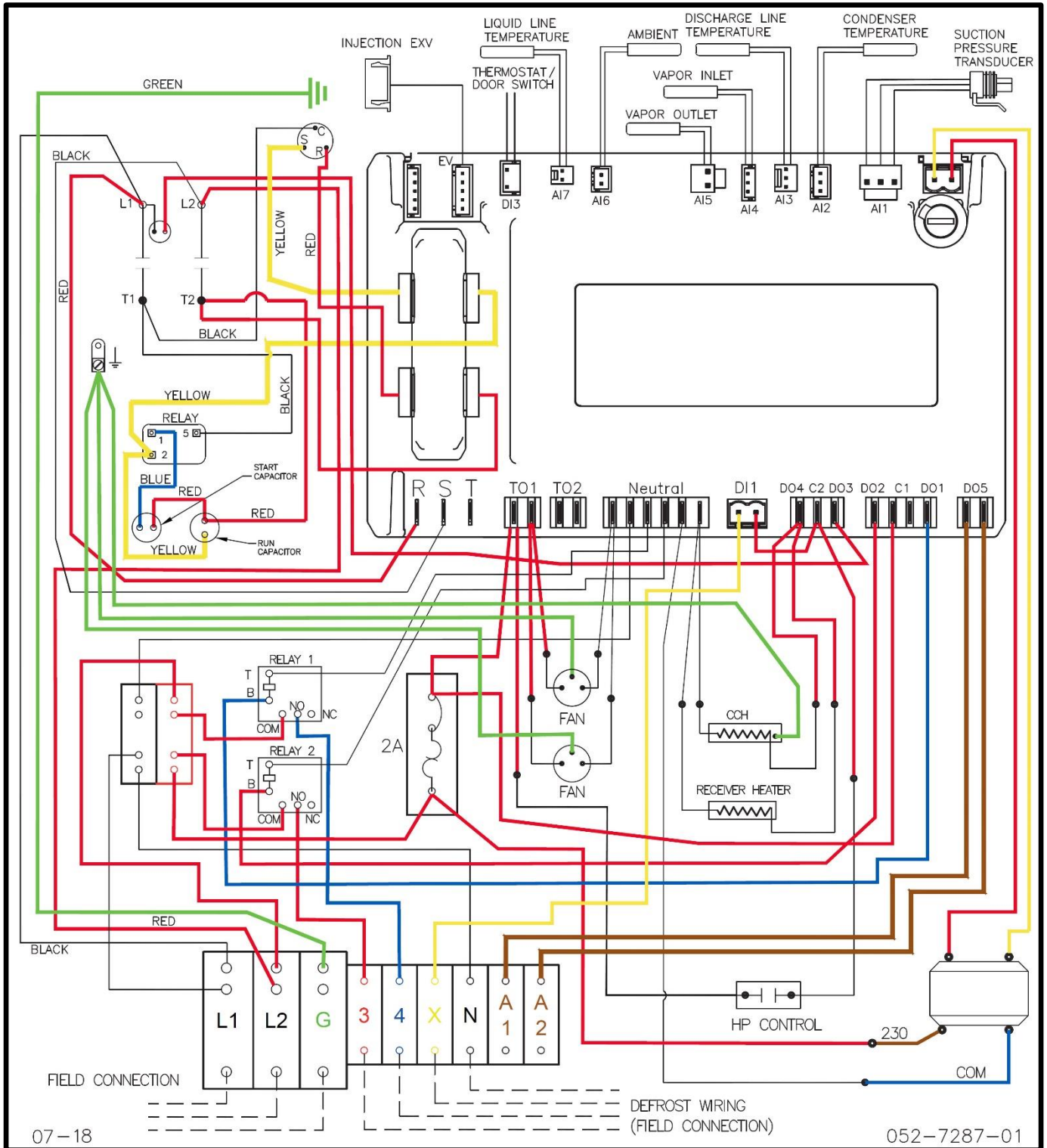
Parameter List, continued

Label	Description	Default	Range
Fdt / Fdt	Drip time (min)	0	0 - 120
dPo / dPo	Defrost at power-on	NO	no, yes
Sd1 / Sd1	Holiday defrost start 1 (hour)	6:00	nu, 0:00 - 23:50
Sd2 / Sd2	Holiday defrost start 2 (hour)	13:00	nu, 0:00 - 23:50
Sd3 / Sd3	Holiday defrost start 3 (hour)	21:00	nu, 0:00 - 23:50
Sd4 / Sd4	Holiday defrost start 4 (hour)	nu	nu, 0:00 - 23:50
Sd5 / Sd5	Holiday defrost start 5 (hour)	nu	nu, 0:00 - 23:50
Sd6 / Sd6	Holiday defrost start 6 (hour)	nu	nu, 0:00 - 23:50
Hd1 / Hd1	First Weekly holiday	nu	Sun - Sat
Hd2 / Hd2	second weekly holiday	nu	Sun - Sat
FnC / Fnc	Fans operating mode	on	cn, on, cy, oy
Fon / Fon	Fan ON time	0	0 - 255
FoF / FoF	Fan OFF time	0	0 - 255
dSA / dSA	Maximum door open time before alarm	255	0 - 255
tLS / tLS	Use the liquid line solenoid	YES	no, yes
Compressor Protection			
MC2 / MC2	Adjustable current limit before trip (Amps)	MCA	0 - MCA
oCn / oCn	Over Current Trips before lockout	5	0 - 15; 0 = always automatic restart
PEn / PEn	loss of phase trips number before lockout	5	0 - 15; 0 = always automatic restart
Utn / Utn	compressor trips before lockout	5	0 - 15; 0 = always automatic restart
PiC / PiC	Generate warning or shut the regulation when phase imbalance	Trip	Warning, Trip
Digital Input			
i3F / i3F	Digital input 3 function	Door Switch	Door Switch
i3P / i3P	Digital input 3 polarity	CL	CL, oP
Serial Address			
Adr / Adr	Serial address	1	1 - 247

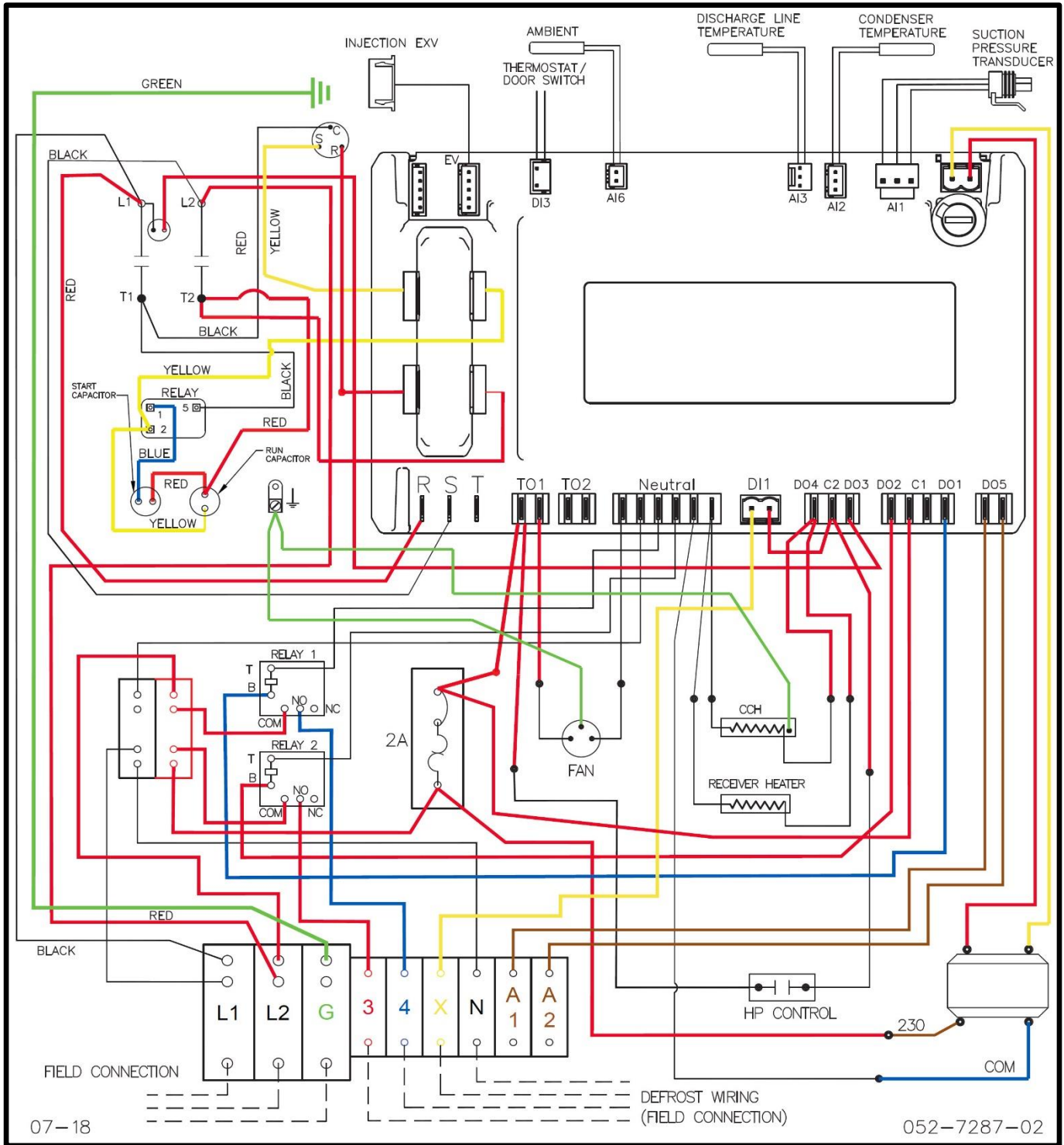
4.6 Wire Diagrams



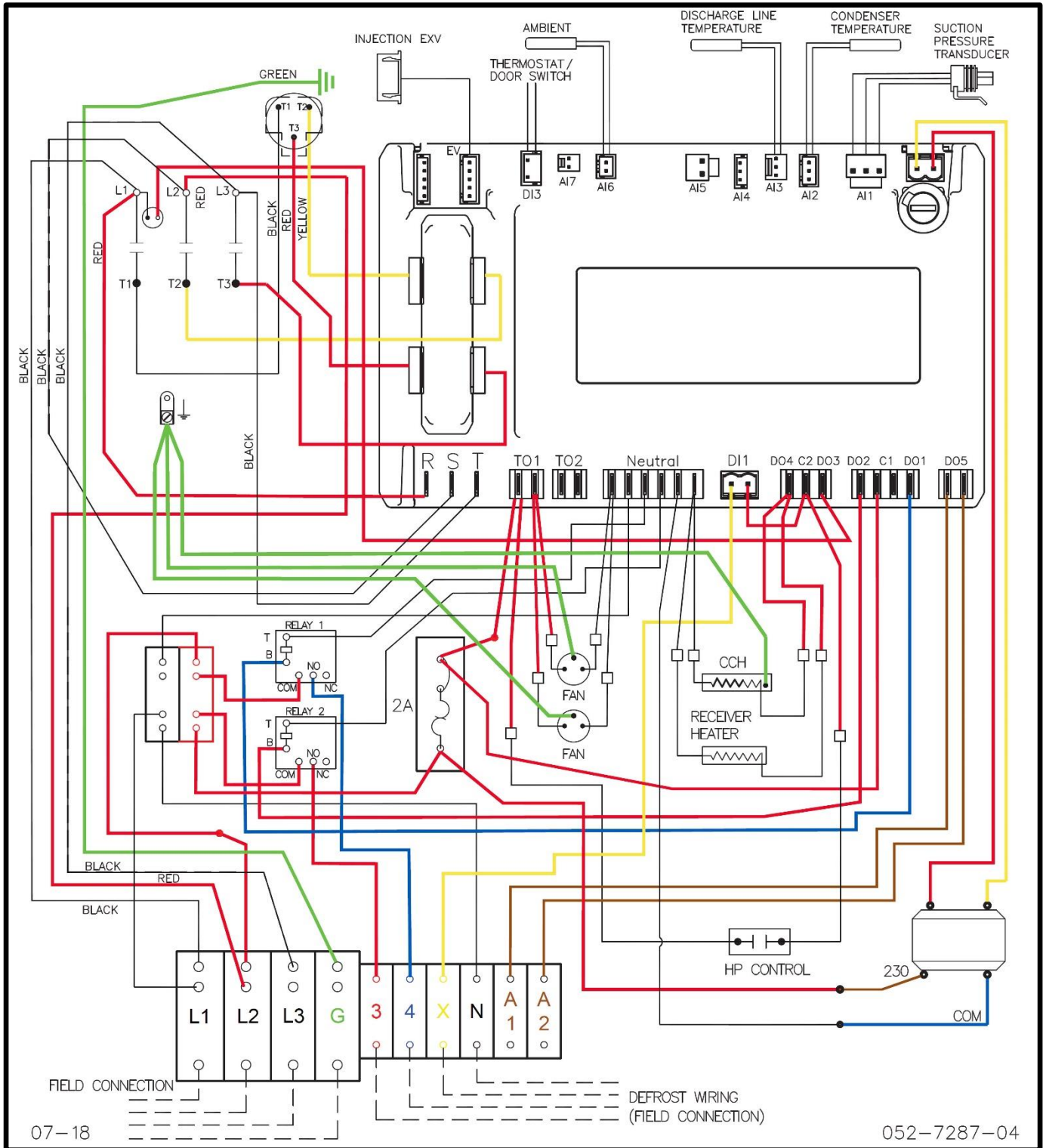
052-7287-00
Low Temp 1-Phase 2.0-3.5 HP
1 Condenser Fan



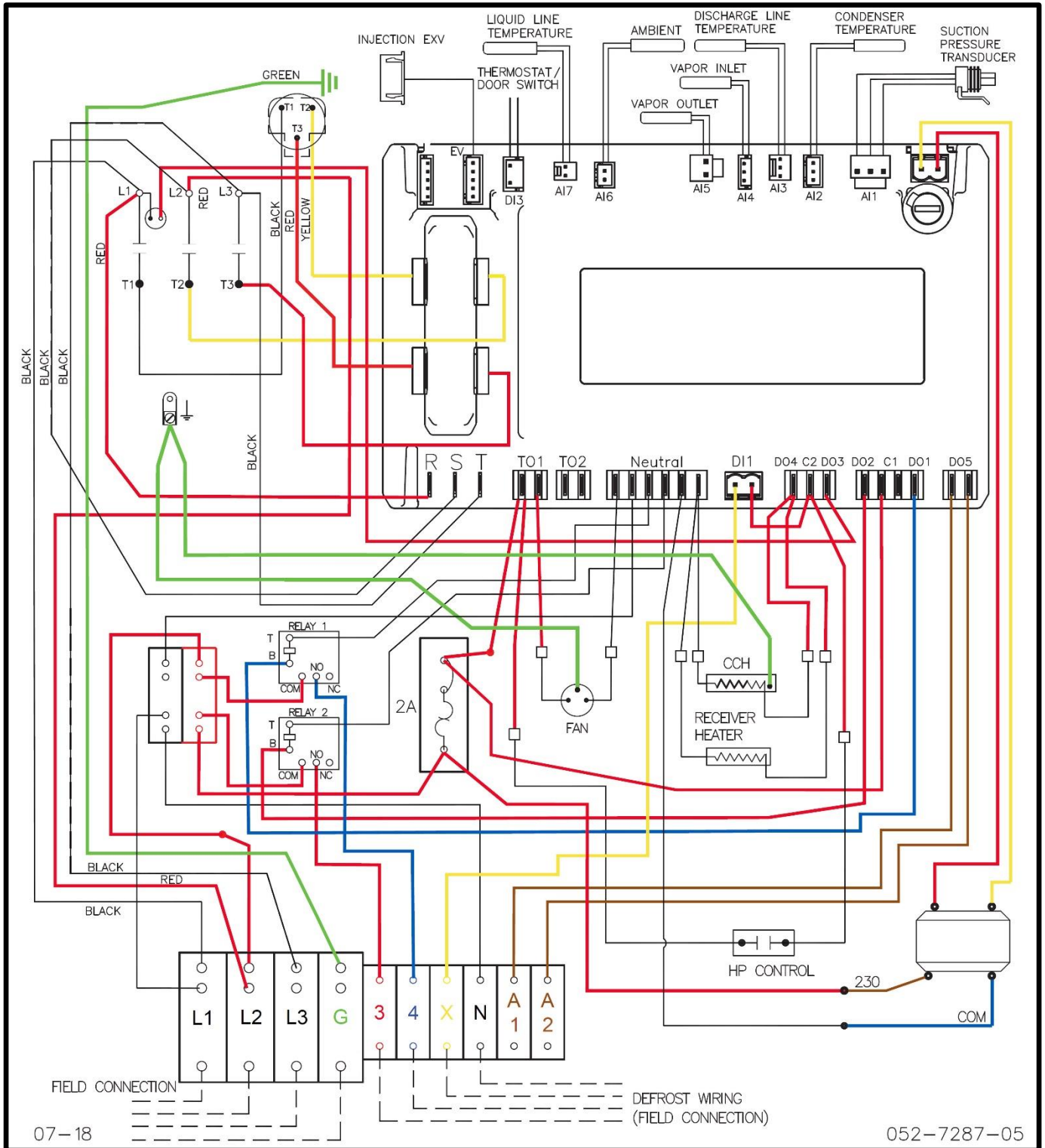
052-7287-01
Low Temp 1-Phase 4-5.1 HP
2 Condenser Fans



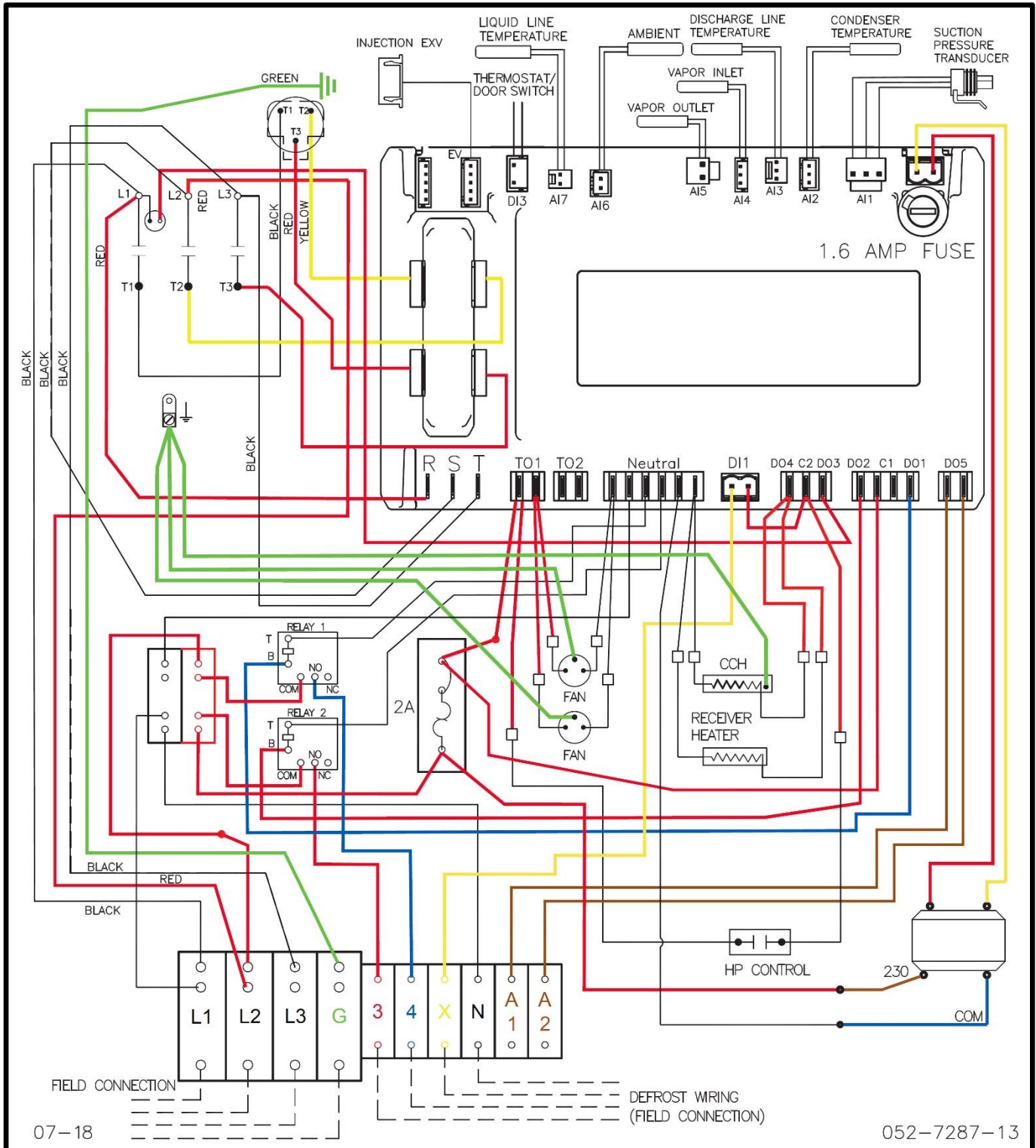
052-7287-02
Medium Temp 1-Phase 0.75-3.7 HP
1 Condenser Fan



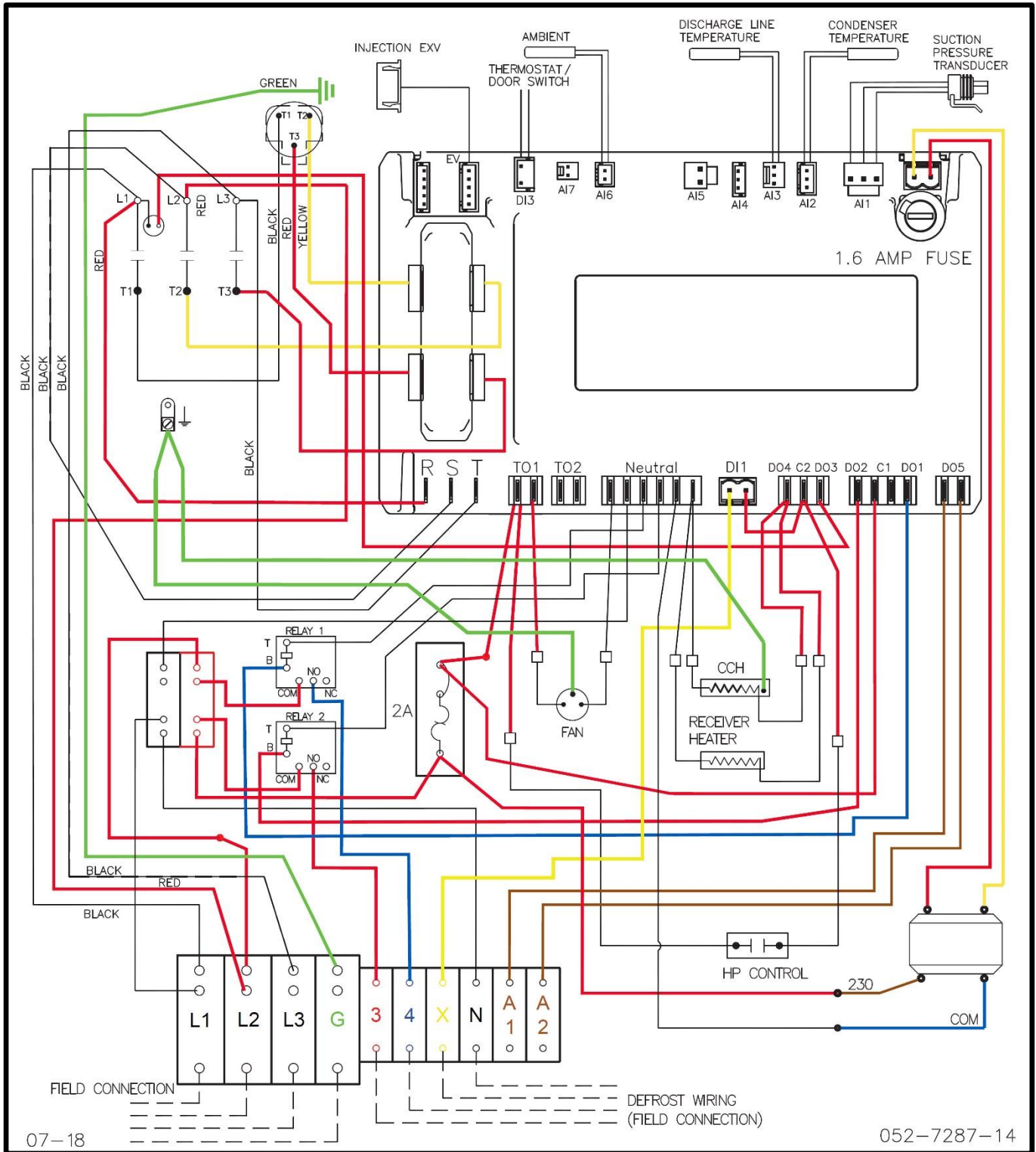
052-7287-04
Medium Temp 3-Phase 4.5-6 HP
2 Condenser Fans



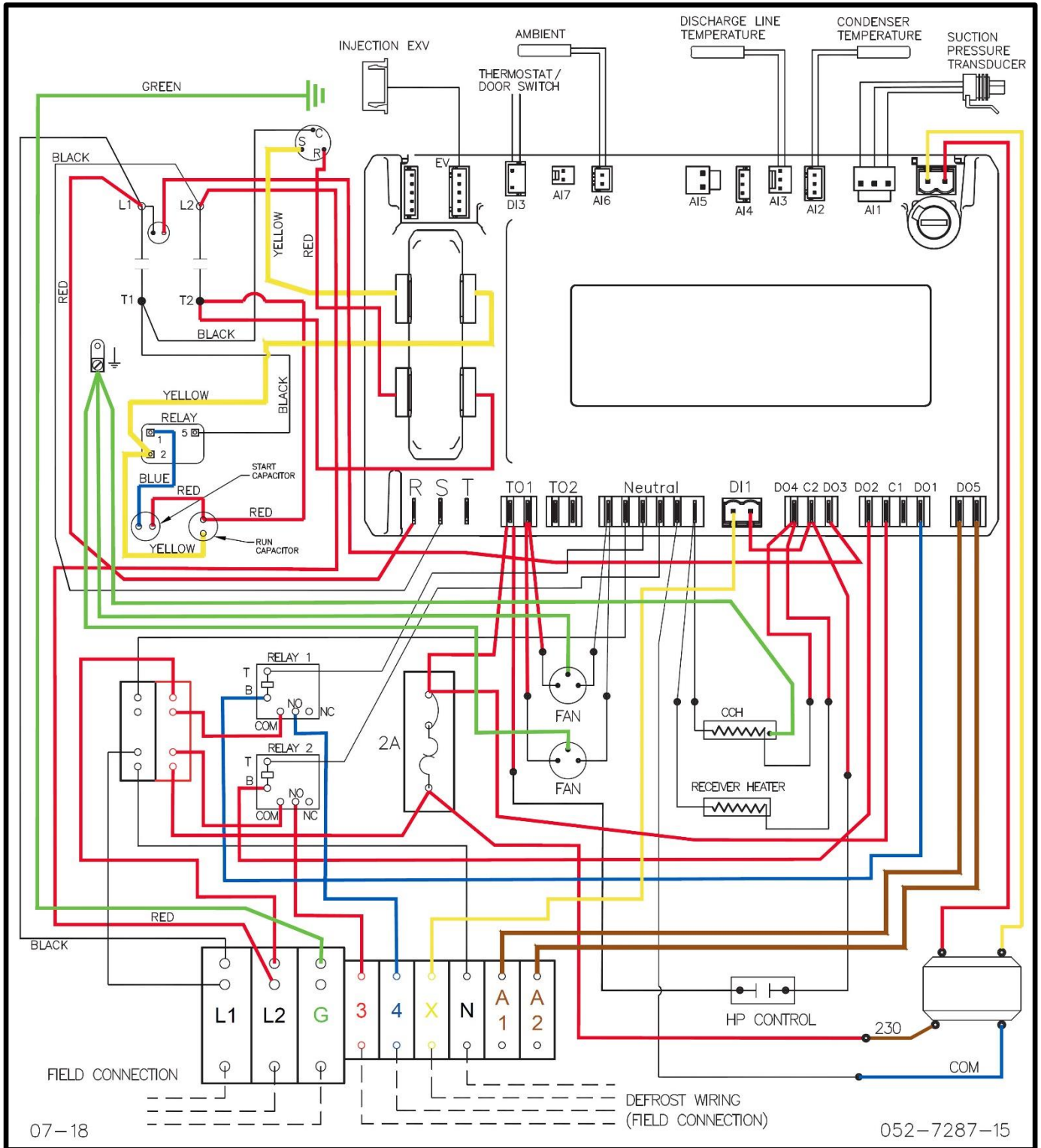
052-7287-05
Low Temp 3-Phase 2-3.5 HP
1 Condenser Fans



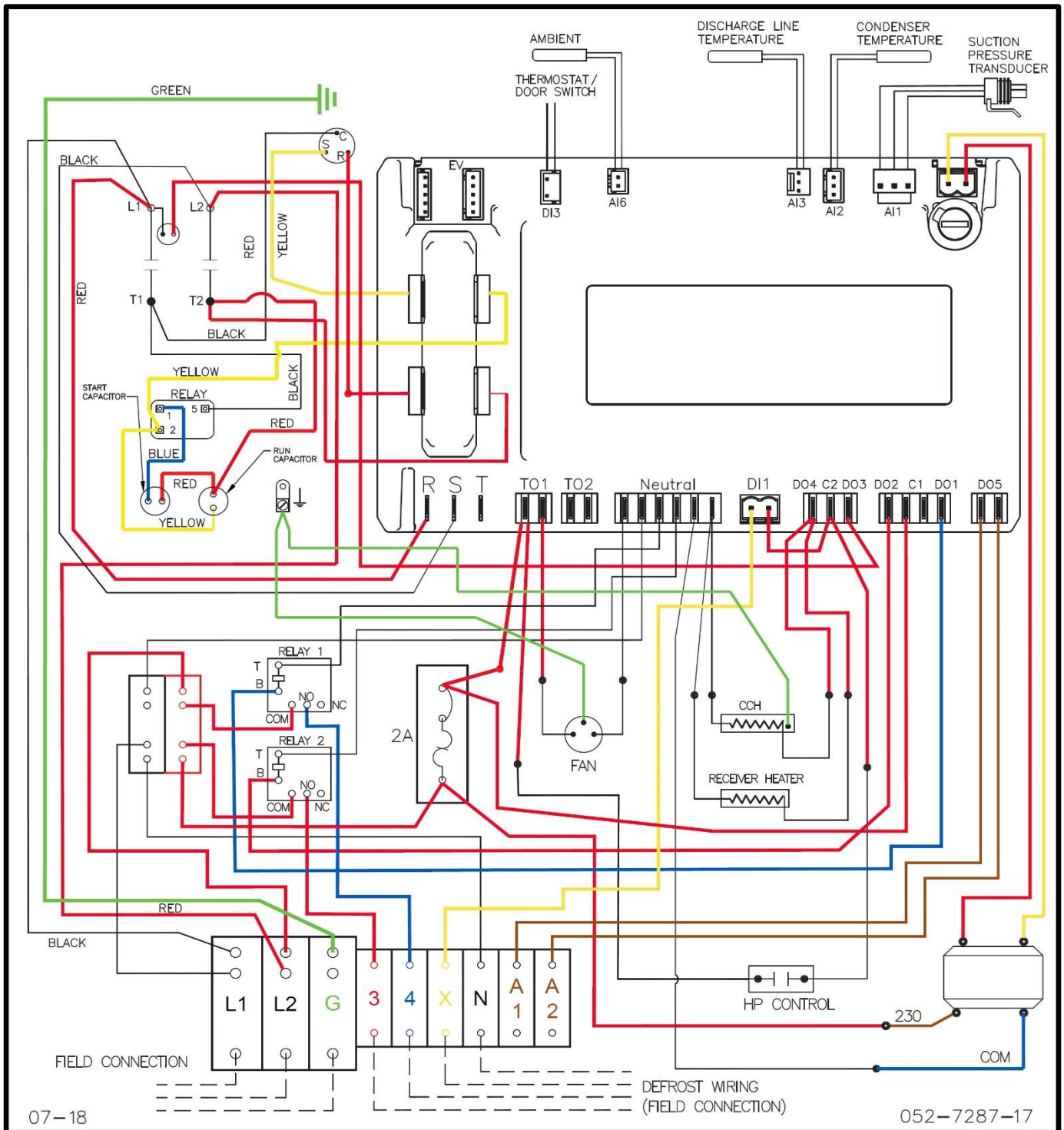
052-7287-13
Low Temp 3-Phase 4-6 HP
2 Condenser Fans



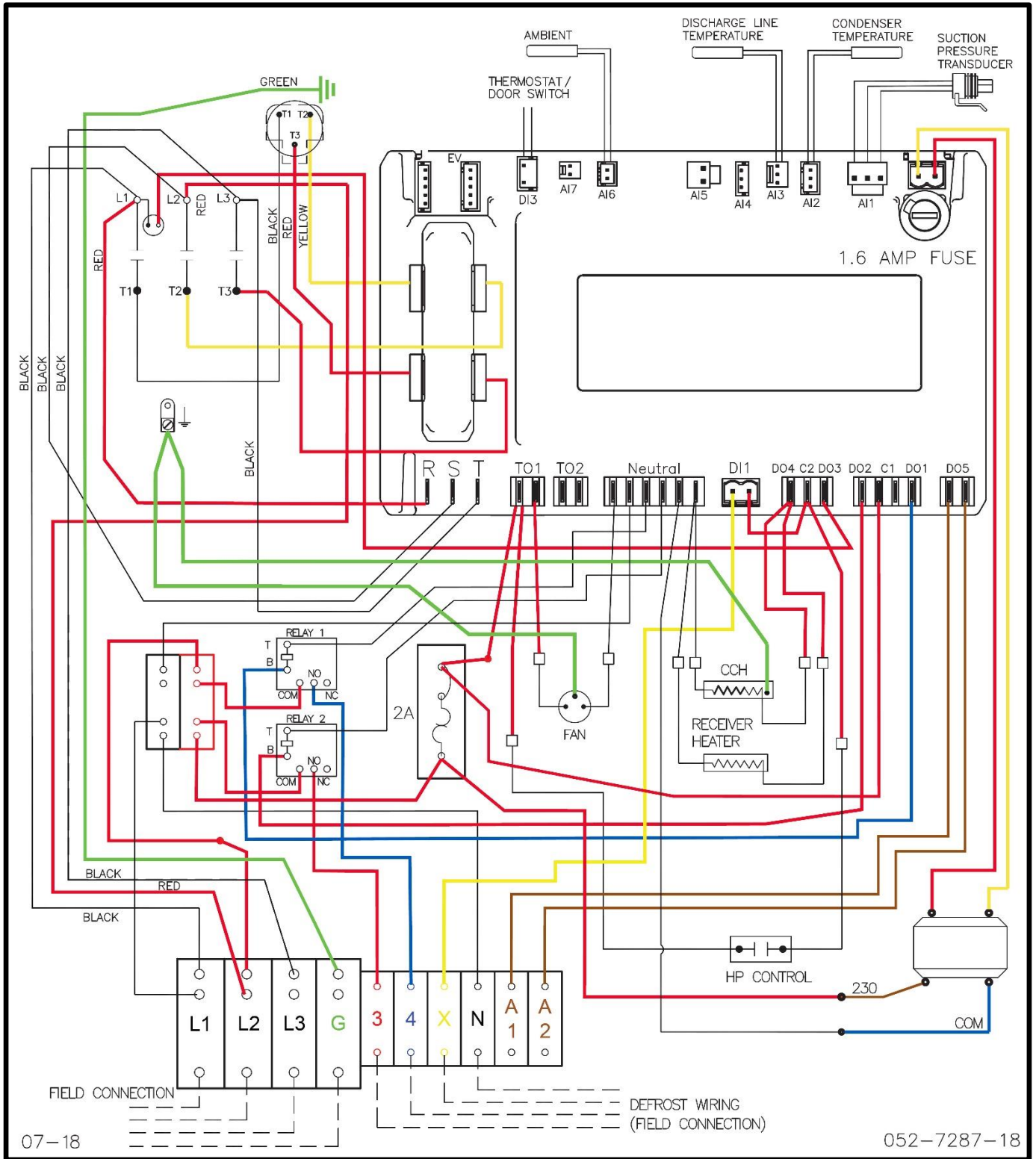
052-7287-14
Medium Temp 3-Phase 0.75-3.7 HP
1 Condenser Fan



052-7287-15
Medium Temp 1-Phase 4.5-5 HP
2 Condenser Fans



052-7287-17
Low Temp Single Phase .75 to 1.25 HP
1 Condenser Fan



052-7287-18

Low Temp Three Phase Single Fan .75 to 1.25 HP

1 Condenser Fan

5 Troubleshooting

5.1 Manual Stepper Control Mode for Vapor Injection (Low Temp) or Liquid Injection (Medium Temp)

For troubleshooting purposes, the stepper setting can be temporarily adjusted manually.

From the standard display screen, pressing SET and SERVICE/ALARM key for 3 seconds will enter a manual stepper control mode.

In the manual stepper control mode, the display shows the current step count of the valve.

In manual stepper control mode, all algorithms controlling the stepper valve are suspended, but the rest of the functions operate normally

The up and down arrows on the keypad open and close the valve, with the display showing the updated step count

If the controller is left untouched for 60 seconds or the set and up button are pressed together to exit, the controller will resume normal operation.

5.2 Alarm Codes

Code	Description	Alarm Level	Diagnostic Resolution	Possible Fix
E01	Suction pressure transducer error	Alarm	Check wire connection to the top of the controller (A1) Check to ensure suction pressure is below 135 PSIG	Replace faulty suction pressure transducer
E02	Condenser temperature sensor error	Alarm	Check wire connection to the top of the controller (A2)	Replace faulty temperature sensor
E03	Discharge line temperature sensor error	Alarm	Check wire connection to the top of the controller (A3)	Replace faulty temperature sensor
E04	EVI heat exchanger vapor inlet temperature error (XFALs only)	Alarm	Check wire connection to the top of the controller (A4)	Replace faulty temperature sensor
E05	EVI heat exchanger vapor outlet temperature error (XFALs only)	Alarm	Check wire connection to the top of the controller (A5)	Replace faulty temperature sensor
E06	Ambient temperature sensor error	Alarm	Check wire connection to the top of the controller (A6)	Replace faulty temperature sensor
E07	Liquid line temperature sensor error (XFALs only)	Alarm	Check wire connection to the top of the controller (A7)	Replace faulty temperature sensor
E09-E10	Current sensor error	Alarm	Check wires are properly routed through controller current transducers per wiring diagram	Replace faulty controller
E11-E13	Voltage sensor error	Alarm	Check wires are connected to voltage sensing connections (R, S, T) per wiring diagram	Replace faulty controller
E20 L20	Lost phase error/ lockout (Three phase only)	Alarm Lockout	Check power to unit	Check wires are connected to voltage sensing connections (R, S, T) per wiring diagram

Alarm Codes, Continued

Code	Description	Alarm Level	Diagnostic Resolution	Possible Fix
E21 L21	Phase sequence error / lockout (Three phase only)	Alarm Lockout	Reverse two phases incoming power to unit	Check wires are connected to voltage sensing connections (R, S, T) per wiring diagram
E22	Phase imbalance (Three phase only)	Alarm	Check incoming electrical power	Correct incoming voltage supply
E23 L23	Over current error/ lockout	Alarm Lockout	Confirm system operation to find out what is causing the compressor to pull excessive current	
E24 L24	Open run circuit error/ lockout	Alarm Lockout	Check run capacitor	Check start component wiring per diagram Check wires are properly routed through controller current transducers per wiring diagram
E25 L25	Open start circuit error/ lockout	Alarm Lockout	Check start capacitor	Check start component wiring per diagram Check wires are properly routed through controller current transducers per wiring diagram
E26 L26	Under voltage alarm/ lockout	Alarm Lockout	Check incoming power	
E27 L27	Over voltage alarm/ lockout	Alarm Lockout	Check incoming power	
E28	Compressor protector trip	Warning	Check to see if compressor is tripped on protector	Check to see if contactor is functioning properly Check contractor control circuit wiring per wiring diagram
E40 L40	High pressure switch trip/ lockout	Alarm Lockout	Check system cause of high pressure trip Check if circuit breaker is tripped (It provides power to the high pressure switch)	Ensure wiring to terminal C2 of the controller is correct per the wiring diagram and C2 is receiving power. Verify high pressure switch is working properly or needs replaced
E41	Low Pressure Switch	Alarm	Check Suction Pressure Transducer	Replace Suction Pressure Transducer
E43	Low Pressure Alarm	Alarm	Check Suction Pressure Transducer	Replace Suction Pressure Transducer

Alarm Codes, Continued

Code	Description	Alarm Level	Diagnostic Resolution	Possible Fix
E44 L44	Discharge line temperature alarm/ lockout	Alarm Lockout	Check system cause of high DLT	Faulty temperature sensor. Check sensor values versus section 12.
E46	High condenser temperature alarm	Alarm	Check to see what is causing the system to run at a higher condensing temperature	Faulty temperature sensor. Check sensor values versus section 12.
E47	Over injection (XFALs only)	Warning		
E48	Refrigerant shortage (XFALs only)	Warning	Check refrigerant charge	EVI injection valve may not be clogged or blocked
E49	Pump Down Alarm	Alarm	Check Liquid Line Solenoid	Replace Solenoid or set tLS to off if not present
E50	High side flood back alarm	Warning	Check to see if proper superheat is being maintained	
E66	Door Open Alarm	Warning	Review application restrictions	Review Pg.17, Section 4.2.1.2 to eliminate the error.
E80	Rtc warning, date not correct	Warning	Set the real time clock	
E81	Rtf warning, communication error	Warning	Reload factory settings with the hotkey and reset the real time clock	Replace faulty controller
E82-E85	Configuration Errors	Alarm	Reload factory settings with the hotkey	Replace faulty controller
L86	EEPROM Memory Error	Lockout	Reload factory settings with the hotkey	Replace faulty controller

5.3 Sensor Values

**Discharge Line
Temperature Sensor Resistance**

°F	Resistance (kOhms)
-40	2889.60
-31	2087.22
-22	1522.20
-13	1121.44
-4	834.72
5	627.28
14	475.74
23	363.99
32	280.82
41	218.41
50	171.17
59	135.14
68	107.44
77	86.00
86	69.28
95	56.16
104	45.81
113	37.58
122	30.99
131	25.68
140	21.40
149	17.91
158	15.07
167	12.73
176	10.79
185	9.20
194	7.87
203	6.77
212	5.85
221	5.09
230	4.45
239	3.87
248	3.35
257	2.92
266	2.58
275	2.28
284	2.02
293	1.80
302	1.59
311	1.39
320	1.25
329	1.12
338	1.01
347	0.92
356	0.83

**Temperature Sensor Resistance
(Excludes DLT)**

°F	Resistance (kOhms)
-55	302.2
-50	254.9
-45	221.7
-40	188.5
-35	160.2
-30	140.4
-25	120.2
-20	105.7
-15	90.8
-10	80.3
-5	69.4
0	61.5
5	53.4
10	46.5
15	41.5
20	36.3
25	32.4
30	28.5
35	25.6
40	22.5
45	20.3
50	18.0
55	15.9
60	14.4
65	12.8
70	11.6
75	10.4
80	9.46
85	8.47

°F	Resistance (kOhms)
90	7.73
95	6.94
100	6.25
105	5.73
110	5.17
115	4.75
120	4.30
125	3.96
130	3.59
135	3.32
140	3.02
145	2.75
150	2.55
155	2.33
160	2.16
165	1.98
170	1.84
175	1.69
180	1.58
185	1.45
190	1.34
195	1.25
200	1.15
205	1.08
210	0.998
215	0.937
220	0.868
225	0.816
230	0.758

The contents of this publication are presented for informational purposes only and are not to be construed as warranties or guarantees, express or implied, regarding the products or services described herein or their use or applicability. Emerson Climate Technologies, Inc. and/or its affiliates (collectively "Emerson"), as applicable, reserve the right to modify the design or specifications of such products at any time without notice. Emerson does not assume responsibility for the selection, use or maintenance of any product. Responsibility for proper selection, use and maintenance of any Emerson product remains solely with the purchaser or end user.

Appendix A

DTC Valve Installation Instructions

ZF03/04/05/07KAE R404A, R448A,
R449A, R407A/C/F Applications

Please see all the parts before assembly in fig. 1

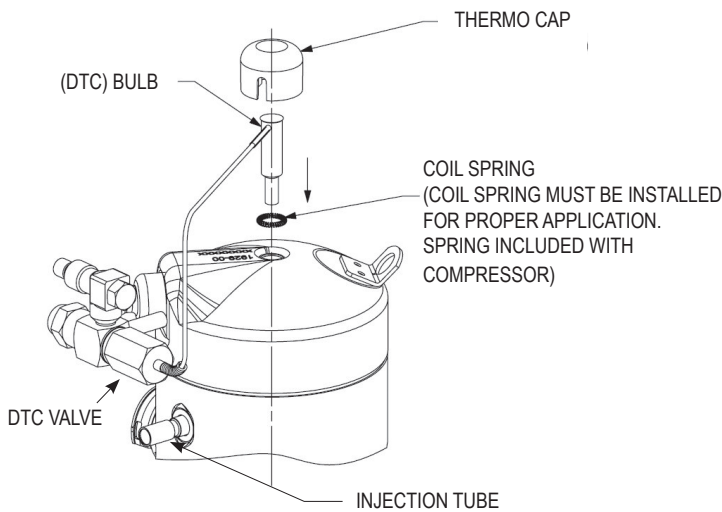


Figure 1. Explosion view

DTC valve assembly

1. Connect Discharge Temperature Control (DTC) valve to injection fitting.
 - a. DTC valve should bottom out in injection fitting. The DTC valve should be installed in a horizontal orientation. Please see the assembly in Figure 2.

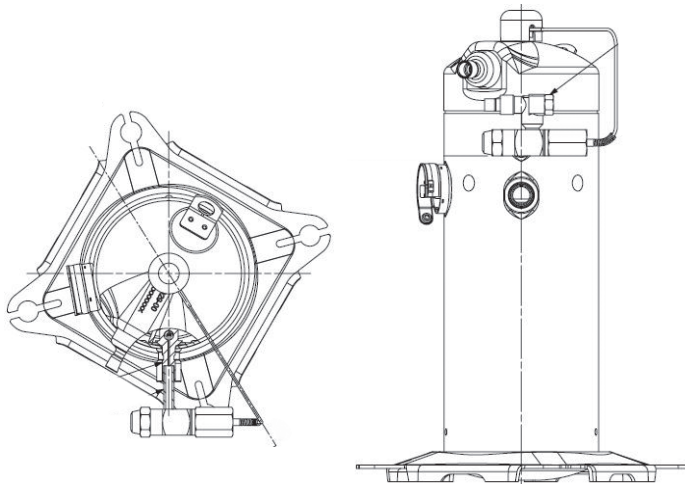


Figure 2. DTC valve installation

Compressor Brazing Procedure

IMPORTANT

Possible blockage! Compressor overheating!

Recommend maintaining flow of oxygen-free nitrogen through the system at very low pressure during brazing. Nitrogen displaces the air and prevents the formation of copper oxides in the system. If allowed to form, the copper oxide material can later be swept through the system and block screens such as those protecting capillary tubes, thermal expansion valves, and accumulator oil return holes.

Contamination or moisture! Bearing failure! Do not remove the plugs until the compressor is set into the unit. This minimize any entry of contaminants and moisture. Copeland Scroll Compressors have copper-plated steel suction, discharge, and injection tubes. These tubes are far more robust and less prone to leaks than copper tubes. Due to the different thermal properties of steel and copper, brazing procedures may have to be changed from those commonly used.

Figure 3 shows the proper procedure for brazing the DTC valve to a scroll compressor.

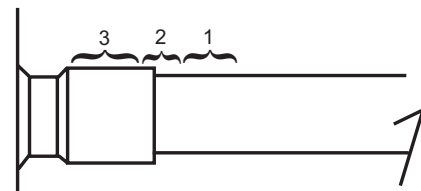


Figure 3. Tube brazing

- The copper-coated steel tubes on scroll compressors can be brazed in approximately the same manner as any copper tube.
- Recommended brazing materials: any silfos material is recommended, preferably with a minimum of 5% silver. However, 0% silver is acceptable.
- Be sure tube fitting inner diameter and tube outer diameter are clean prior to assembly.
- Using a double-tipped torch, apply heat in area 1.
- As the tube approaches brazing temperature, move the torch flame to area 2.
- Heat area 2 until braze temperature is attained, moving the torch up and down and rotating around the tube as necessary to heat the tube evenly. Add braze material to the joint while moving the torch around the joint to flow braze material around the circumference.
- After the braze material flows around the joint, move the torch to heat area 3. This will draw the braze material down into the joint. The time spent heating area 3 should be minimal.
- As with any brazed joint, overheating may be detrimental to the final result.

NOTE: Since the injection tubing design of the ZF*KA compressors includes some O-rings, a wet rag or any other suitable heat protection must be used when brazing the injection line to the compressor.

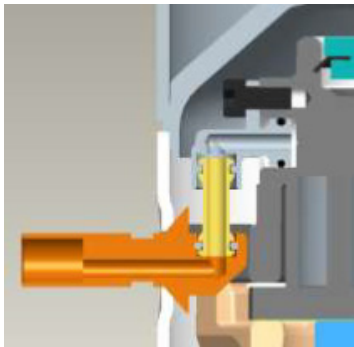


Figure 4. O-rings composing the injection inside compressor models ZF*KA

b. Verify the coil spring is seated in the thermostat tube groove area (see Figure 5) on the top of the compressor. (The spring is required for proper DTC valve installation)

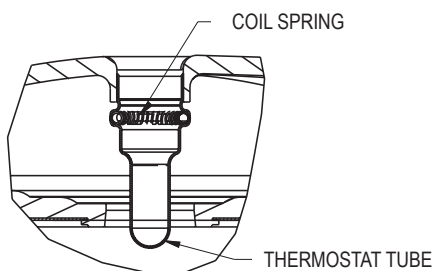


Figure 5. Coil spring location

c. Spread a thin film of thermal grease around DTC bulb. Press DTC bulb into thermostat tube on top of the compressor until the bulb bottoms out in the thermostat tube. (Install by hand, do not use excessive force) Copper tube from the DTC bulb should be approximately [1/8"] off the top of the compressor. Take care and avoid damaging or scratching the bulb. Please see Figure 6.

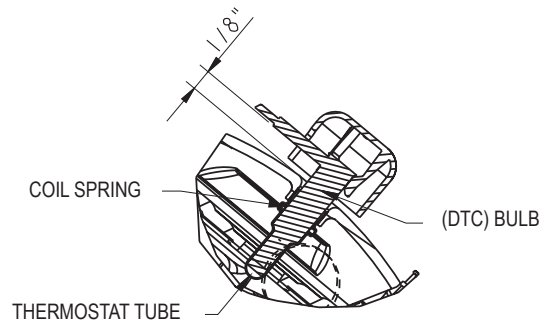


Figure 6. Bulb installation on top of the compressor

d. Snap thermal cap onto DTC bulb on top of the compressor. If there is a need to remove the thermal cap due to height limitations, thermal insulation for the bulb is strongly recommended. Please see figure 6.

2. Maximum operating temperature for valve bulb is limited to [293°F].
3. Ensure liquid refrigerant is available in the line feeding DTC valve prior to starting the compressor. Failure to do this will result in damage to the DTC valve and compressor.

DTC Valve Removal

1. Close valves to isolate the compressor from the system.
2. Evacuate the compressor and ensure no pressure remains.
3. **To disconnect:**

Heat joint areas 2 and 3 slowly and uniformly until the braze material softens and the tube can be pulled out of the fitting.

4. **To reconnect:**

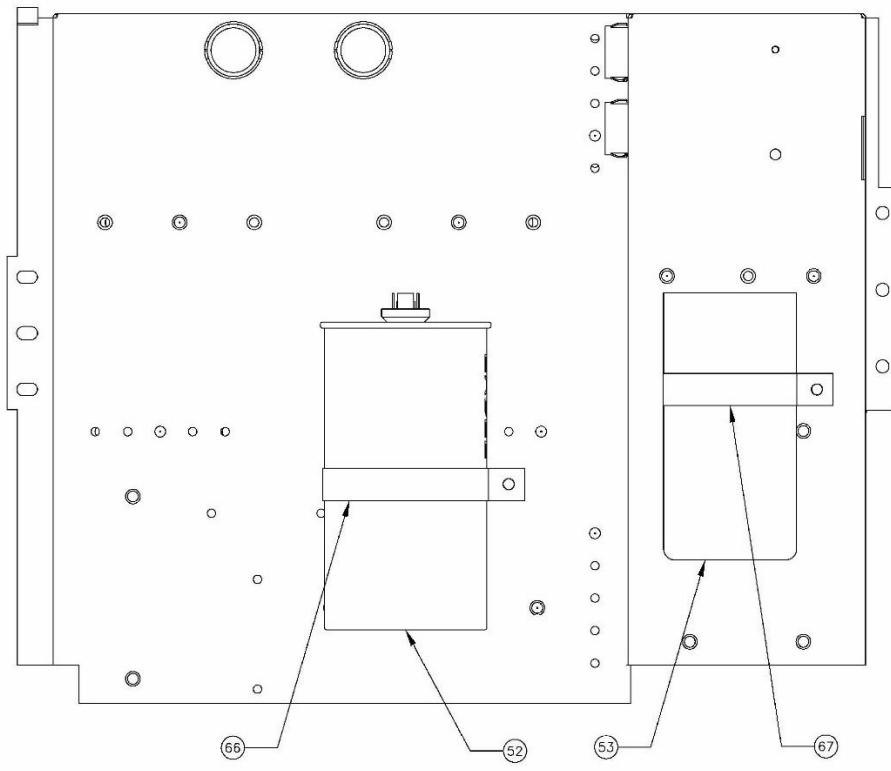
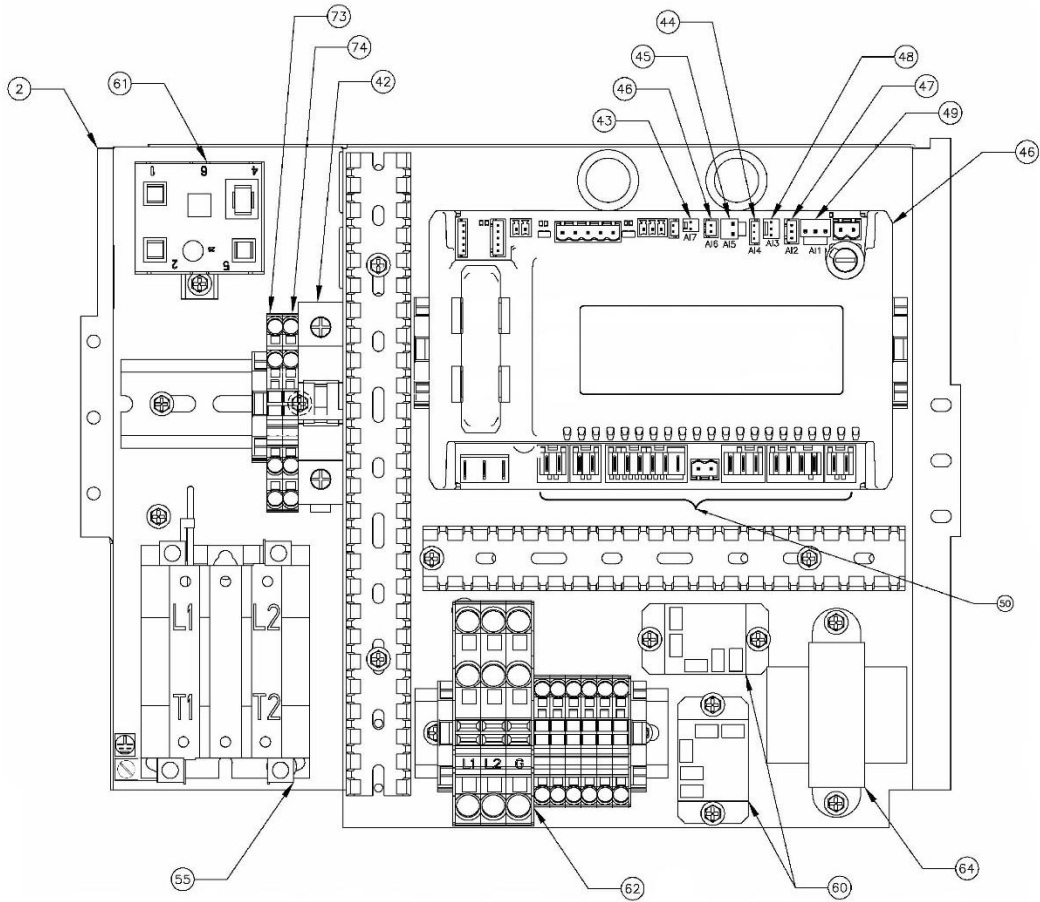
See **Compressor Brazing Procedure**. Recommended brazing materials: Silfos with minimum 5% silver or silver braze used on other compressors. Due to the different thermal properties of steel and copper, brazing procedures may have to be changed from those commonly used.

Appendix B: X-Line Service Parts

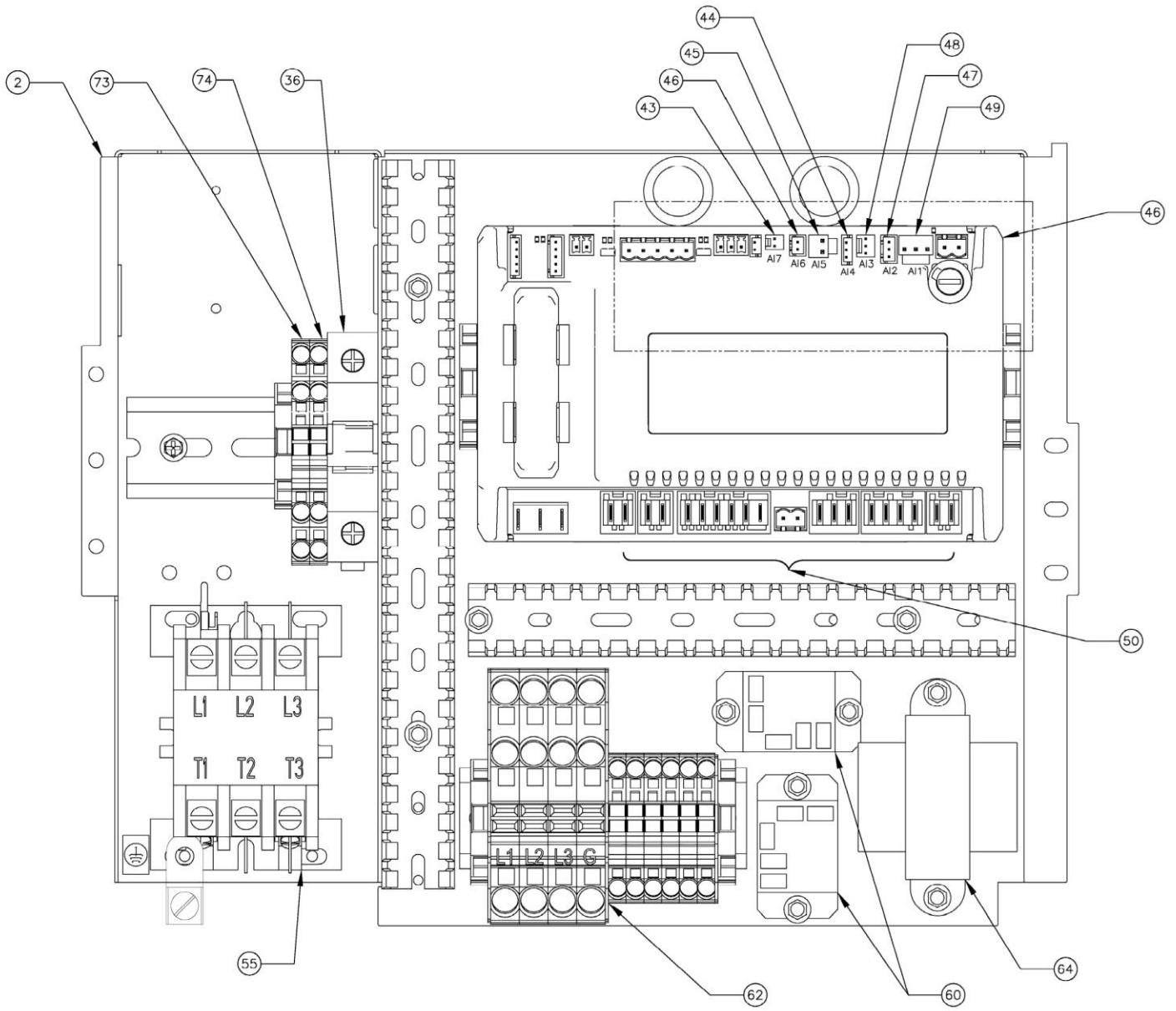
Contents

- Single Phase “CFV” Panel Diagram..... 2
- Three Phase “TFC” Panel Diagram 3
- XFAL (3/4 – 1 ¼ HP) Unit Diagram..... 4
 - Parts List (XFAL-008Z, 009Z)..... 5
 - Parts List (XFAL-010Z, 012Z)..... 6
- XFAL (2 - 6 HP) Unit Diagram 7
 - Parts List (XFAL-020Z, 030Z)..... 8
 - Parts List (XFAL-040Z, 050Z, 051Z, 060Z)..... 9
- XFAM / XFAP Unit Diagram 10
 - Parts List (XFAM-008Z, 010Z) 11
 - Parts List (XFAM-012Z, 015Z) 12
 - Parts List (XFAM-017Z, 020Z) 13
 - Parts List (XFAM-022Z, 025Z) 14
 - Parts List (XFAM-030Z, 033Z) 15
 - Parts List (XFAM-037Z, 045Z) 16
 - Parts List (XFAM-050Z, 060Z) 17
 - Parts List (XFAP-015Z, 017Z) 18
 - Parts List (XFAP-022Z, 030Z) 19
 - Parts List (XFAP-045Z, 050Z) 20
 - Parts List (XFAP-060Z) 21

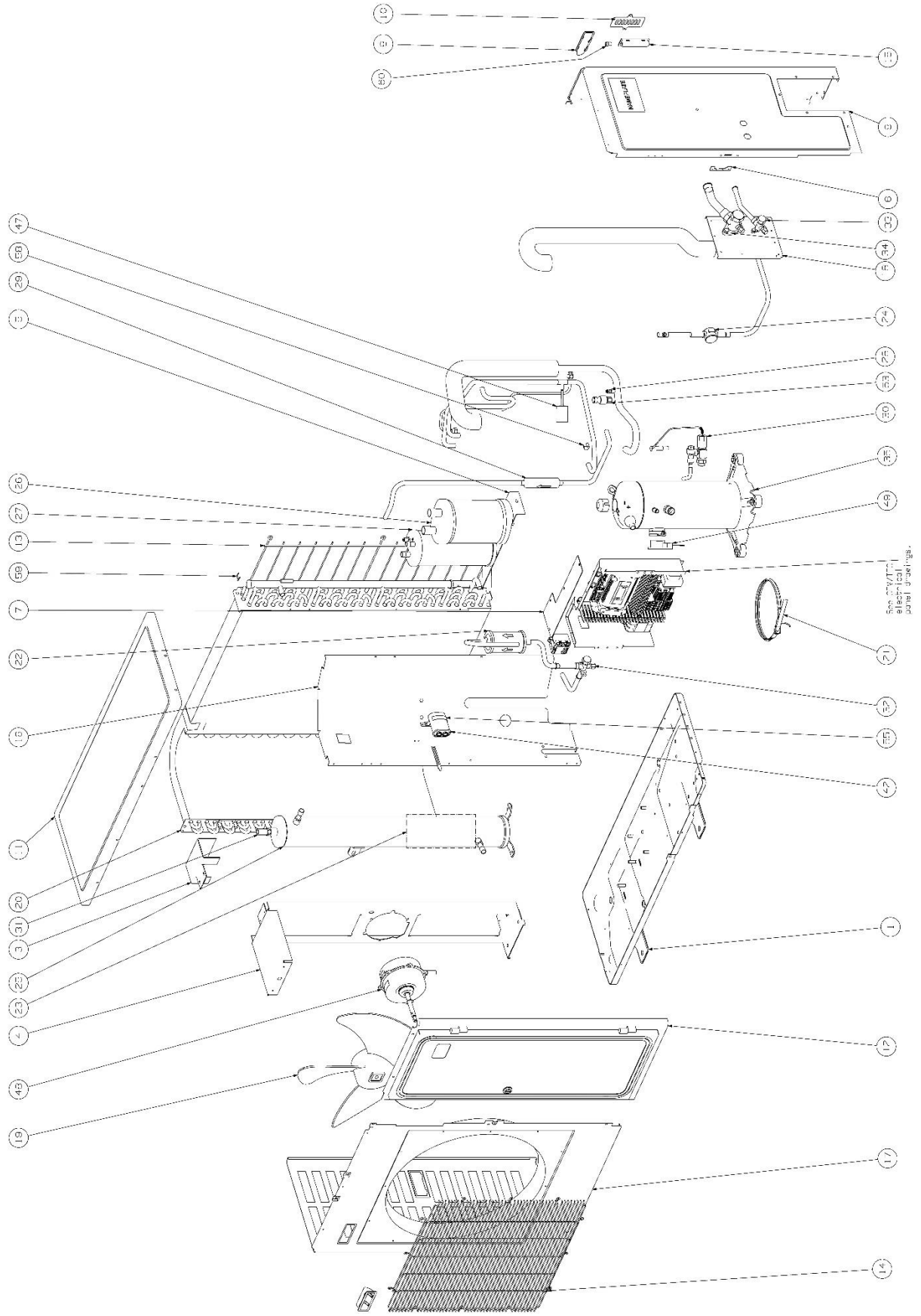
Single Phase "CFV" Panel Diagram



Three Phase "TFC" Panel Diagram



XFAL (3/4 - 1 1/4 HP) Unit Diagram



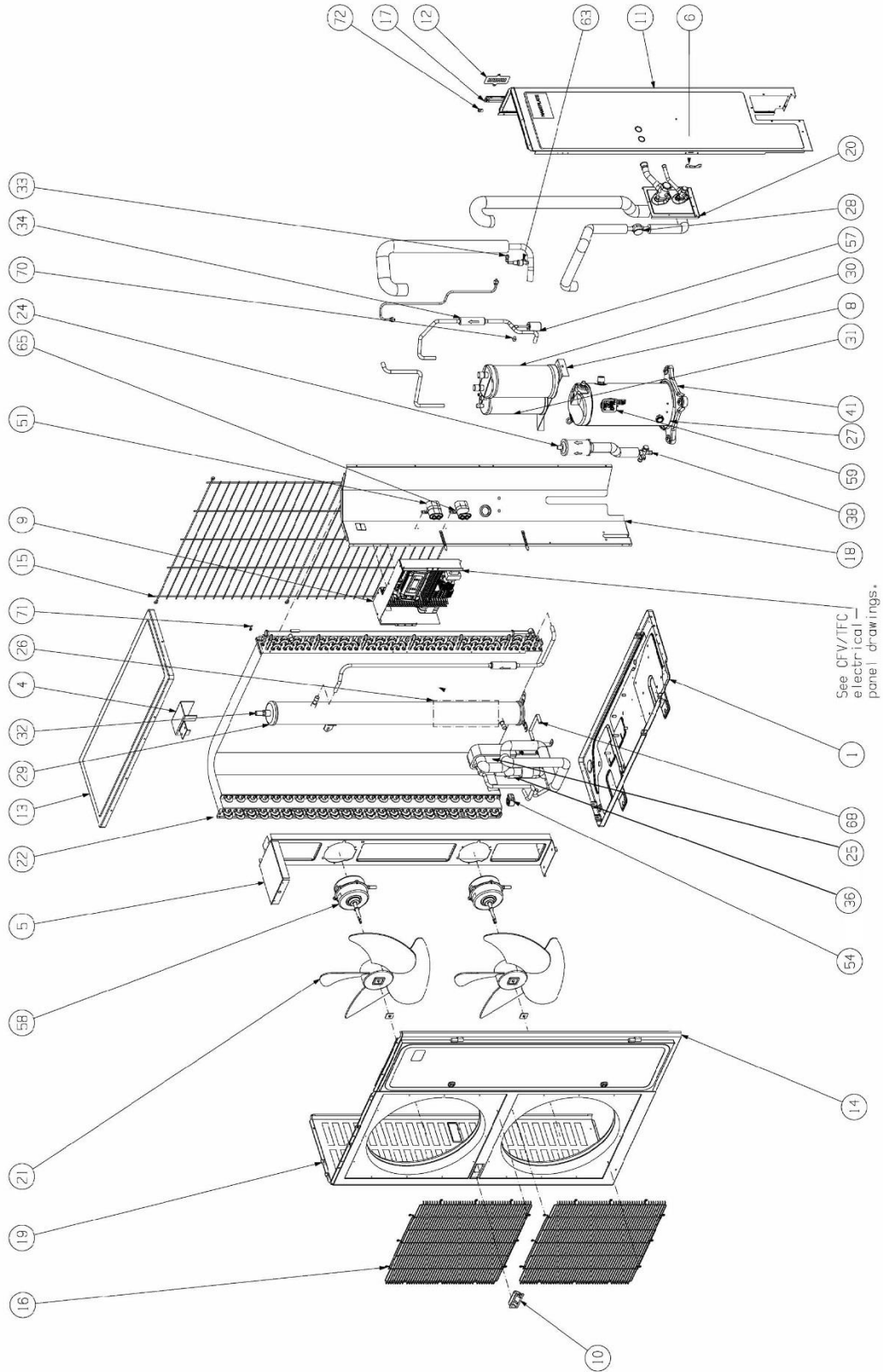
Parts List (XFAL-008Z, 009Z)

Item	Description	XFAL-008Z-CFV-081	XFAL-008Z-TFC-081	XFAL-009Z-CFV-081	XFAL-009Z-TFC-081
1	BASE-PLATE	922-0644-00	922-0644-00	922-0644-00	922-0644-00
2	BOX-ELECTRICAL	062-7053-00	062-7053-00	062-7053-00	062-7053-00
4	BRACKET:STABILIZER TOP	074-1205-00	074-1205-00	074-1205-00	074-1205-00
5	BRACKET-CONTROL MTG	074-1424-00	074-1424-00	074-1424-00	074-1424-00
6	BRACKET-COVER RIGHT	074-7284-00	074-7284-00	074-7284-00	074-7284-00
8	BRACKET-MOUNTING	074-7282-00	074-7282-00	074-7282-00	074-7282-00
9	COVER-ELECTRICAL BOX	905-7230-00	905-7230-00	905-7230-00	905-7230-00
10	COVER-HANDLE	905-7193-00	905-7193-00	905-7193-00	905-7193-00
11	COVER-RIGHT	905-1331-00	905-1331-00	905-1331-00	905-1331-00
12	COVER-SENSOR	905-1280-00	905-1280-00	905-1280-00	905-1280-00
13	COVER-TOP	905-1273-00	905-1273-00	905-1273-00	905-1273-00
14	DOOR ASSEMBLY	505-7099-00	505-7099-00	505-7099-00	505-7099-00
15	GUARD-COND COIL	924-0263-00	924-0263-00	924-0263-00	924-0263-00
16	GUARD-FAN	924-0264-00	924-0264-00	924-0264-00	924-0264-00
17	HAND-GRIP	905-7193-01	905-7193-01	905-7193-01	905-7193-01
18	PLATE-DIVIDER	903-1487-00	903-1487-00	903-1487-00	903-1487-00
19	PLATE-FRONT LEFT	905-7215-00	905-7215-00	905-7215-00	905-7215-00
20	VALVE-PLATE	903-1220-00	903-1220-00	903-1220-00	903-1220-00
21	BLADE	983-6931-00	983-6931-00	983-6931-00	983-6931-00
22	CONDENSER	066-0389-00	066-0389-00	066-0389-00	066-0389-00
23	CRANKCASE HEATER ASSM.	918-0052-05	918-0052-05	918-0052-05	918-0052-05
24	FILTER-DRIER	913-7000-31	913-7000-31	913-7000-31	913-7000-31
26	HEATER - RECEIVER	918-0100-00	918-0100-00	918-0100-00	918-0100-00
28	INDICATOR-MOISTURE	970-7003-06	970-7003-06	970-7003-06	970-7003-06
29	RECEIVER ASSEMBLY	577-0542-00	577-0542-00	577-0542-00	577-0542-00
30	TANK-ACCUMULATOR	977-0037-01	977-0037-01	977-0037-01	977-0037-01
31	TANK-OIL SEPARATOR	977-0057-00	977-0057-00	977-0057-00	977-0057-00
33	VALVE-ACCESS	910-7062-00	910-7062-00	910-7062-00	910-7062-00
34	VALVE-CHECK	910-7003-01	910-7003-01	910-7003-01	910-7003-01
35	VALVE-DTC GROUP	998-0746-00	998-0746-00	998-0746-00	998-0746-00
37	VALVE-HIGH PRESSURE	910-0730-00	910-0730-00	910-0730-00	910-0730-00
38	VALVE-SERVICE (Receiver)	910-0142-02	910-0142-02	910-0142-02	910-0142-02
39	VALVE-SERVICE (Liquid)	910-7009-01	910-7009-01	910-7009-01	910-7009-01
40	VALVE-SERVICE (Suction)	910-0180-00	910-0180-00	910-0180-00	910-0180-00
41	WELD COMP	ZF03KAE-PFV-818	ZF03KAE-TF5-818	ZF04KAE-PFV-818	ZF04KAE-TF5-818
42	BREAKER-CURCUIT	971-7018-00	971-7018-00	971-7018-00	971-7018-00
46	CABLE-AMBIENT SENSOR	929-0304-00	929-0304-00	929-0304-00	929-0304-00
47	CABLE-COND TEMP SENSOR	929-0304-00	929-0304-00	929-0304-00	929-0304-00
48	CABLE-DISCH TEMP SENSOR	929-0304-00	929-0304-00	929-0304-00	929-0304-00
49	CABLE-TRANSDUCER	529-0114-08	529-0114-08	529-0114-08	529-0114-08
50	CABLE-WIRE HARNESS	529-0222-01	529-0222-01	529-0222-01	529-0222-01
51	CAPACITOR-FAN	914-0083-00	914-0083-00	914-0083-00	914-0083-00
52	CAPACITOR-RUNNING	914-0037-11		914-0037-11	
53	CAPACITOR-STARTING	914-0036-03		914-0036-03	
55	CONTACTOR	912-1401-04	912-3040-02	912-1401-04	912-3040-02
56	CONTROLLER-ELECT. UNIT	943-0214-00	943-0214-00	943-0214-00	943-0214-00
57	CONTROL-PRESSURE	985-7031-06	985-7031-06	985-7031-06	985-7031-06
58	MOTOR-FAN	050-0316-01	050-0316-01	050-0316-01	050-0316-01
59	POWER CABLE-MOLDED PLUG	529-0060-04	529-0060-04	529-0060-04	529-0060-04
60	RELAY-DEFROST	940-0181-00	940-0181-00	940-0181-00	940-0181-00
61	RELAY-POTENTIAL	940-0001-79		940-0001-79	
62	TERMINAL BLOCK ASSEMBLY	980-0086-00	980-0086-01	980-0086-00	980-0086-01
63	TRANSDUCER - PRESSURE	039-0026-06	039-0026-06	039-0026-06	039-0026-06
64	TRANSFORMER CONTROL	037-0038-03	037-0038-03	037-0038-03	037-0038-03
65	CLAMP-CAPACITOR (Fan)	032-0743-00	032-0743-00	032-0743-00	032-0743-00
66	CLAMP-CAPACITOR (Run)	032-0359-00		032-0359-00	
67	CLAMP-CAPACITOR (Start)	032-0359-01		032-0359-01	
70	CLIP-PIPE	032-0688-02	032-0688-02	032-0688-02	032-0688-02
71	CLIP-SENSOR	032-0731-00	032-0731-00	032-0731-00	032-0731-00
72	HOLDER-SENSOR	032-0592-00	032-0592-00	032-0592-00	032-0592-00
73	BLOCK-TERMINAL - Black	980-0139-08	980-0139-08	980-0139-08	980-0139-08
74	BLOCK-TERMINAL - Red	980-0139-09	980-0139-09	980-0139-09	980-0139-09

Parts List (XFAL-010Z, 012Z)

Item	Description	XFAL-010Z-CFV-081	XFAL-010Z-TFC-081	XFAL-012Z-CFV-081	XFAL-012Z-TFC-081
1	BASE-PLATE	922-0644-00	922-0644-00	922-0644-00	922-0644-00
2	BOX-ELECTRICAL	062-7053-00	062-7053-00	062-7053-00	062-7053-00
4	BRACKET:STABILIZER TOP	074-1205-00	074-1205-00	074-1205-00	074-1205-00
5	BRACKET-CONTROL MTG	074-1424-00	074-1424-00	074-1424-00	074-1424-00
6	BRACKET-COVER RIGHT	074-7284-00	074-7284-00	074-7284-00	074-7284-00
8	BRACKET-MOUNTING	074-7282-00	074-7282-00	074-7282-00	074-7282-00
9	COVER-ELECTRICAL BOX	905-7230-00	905-7230-00	905-7230-00	905-7230-00
10	COVER-HANDLE	905-7193-00	905-7193-00	905-7193-00	905-7193-00
11	COVER-RIGHT	905-1331-00	905-1331-00	905-1331-00	905-1331-00
12	COVER-SENSOR	905-1280-00	905-1280-00	905-1280-00	905-1280-00
13	COVER-TOP	905-1273-00	905-1273-00	905-1273-00	905-1273-00
14	DOOR ASSEMBLY	505-7099-00	505-7099-00	505-7099-00	505-7099-00
15	GUARD-COND COIL	924-0263-00	924-0263-00	924-0263-00	924-0263-00
16	GUARD-FAN	924-0264-00	924-0264-00	924-0264-00	924-0264-00
17	HAND-GRIP	905-7193-01	905-7193-01	905-7193-01	905-7193-01
18	PLATE-DIVIDER	903-1487-00	903-1487-00	903-1487-00	903-1487-00
19	PLATE-FRONT LEFT	905-7215-00	905-7215-00	905-7215-00	905-7215-00
20	VALVE-PLATE	903-1220-00	903-1220-00	903-1220-00	903-1220-00
21	BLADE	983-6931-00	983-6931-00	983-6931-00	983-6931-00
22	CONDENSER	066-0389-00	066-0389-00	066-0389-00	066-0389-00
23	CRANKCASE HEATER ASSM.	918-0052-05	918-0052-05	918-0052-05	918-0052-05
24	FILTER-DRIER	913-7000-31	913-7000-31	913-7000-31	913-7000-31
26	HEATER - RECEIVER	918-0100-00	918-0100-00	918-0100-00	918-0100-00
28	INDICATOR-MOISTURE	970-7003-06	970-7003-06	970-7003-06	970-7003-06
29	RECEIVER ASSEMBLY	577-0542-00	577-0542-00	577-0542-00	577-0542-00
30	TANK-ACCUMULATOR	977-0037-01	977-0037-01	977-0037-01	977-0037-01
31	TANK-OIL SEPARATOR	977-0057-00	977-0057-00	977-0057-00	977-0057-00
33	VALVE-ACCESS	910-7062-00	910-7062-00	910-7062-00	910-7062-00
34	VALVE-CHECK	910-7003-01	910-7003-01	910-7003-01	910-7003-01
35	VALVE-DTC GROUP	998-0746-00	998-0746-00	998-0746-00	998-0746-00
37	VALVE-HIGH PRESSURE	910-0730-00	910-0730-00	910-0730-00	910-0730-00
38	VALVE-SERVICE (Receiver)	910-0142-02	910-0142-02	910-0142-02	910-0142-02
39	VALVE-SERVICE (Liquid)	910-7009-01	910-7009-01	910-7009-01	910-7009-01
40	VALVE-SERVICE (Suction)	910-0180-00	910-0180-00	910-0180-00	910-0180-00
41	WELD COMP	ZF05KAE-PFV-818	ZF05KAE-TF5-818	ZF07KAE-PFV-818	ZF07KAE-TF5-818
42	BREAKER-CURCUIT	971-7018-00	971-7018-00	971-7018-00	971-7018-00
46	CABLE-AMBIENT SENSOR	929-0304-00	929-0304-00	929-0304-00	929-0304-00
47	CABLE-COND TEMP SENSOR	929-0304-00	929-0304-00	929-0304-00	929-0304-00
48	CABLE-DISCH TEMP SENSOR	929-0304-00	929-0304-00	929-0304-00	929-0304-00
49	CABLE-TRANSDUCER	529-0114-08	529-0114-08	529-0114-08	529-0114-08
50	CABLE-WIRE HARNESS	529-0222-01	529-0222-01	529-0222-01	529-0222-01
51	CAPACITOR-FAN	914-0083-00	914-0083-00	914-0083-00	914-0083-00
52	CAPACITOR-RUNNING	914-0037-11		914-0037-36	
53	CAPACITOR-STARTING	914-0036-03		914-0036-03	
55	CONTACTOR	912-1401-04	912-3040-02	912-1401-04	912-3040-02
56	CONTROLLER-ELECT. UNIT	943-0214-00	943-0214-00	943-0214-00	943-0214-00
57	CONTROL-PRESSURE	985-7031-06	985-7031-06	985-7031-06	985-7031-06
58	MOTOR-FAN	050-0316-01	050-0316-01	050-0316-01	050-0316-01
59	POWER CABLE-MOLDED PLUG	529-0060-04	529-0060-04	529-0060-04	529-0060-04
60	RELAY-DEFROST	940-0181-00	940-0181-00	940-0181-00	940-0181-00
61	RELAY-POTENTIAL	940-0001-79		940-0001-79	
62	TERMINAL BLOCK ASSEMBLY	980-0086-00	980-0086-01	980-0086-00	980-0086-01
63	TRANSDUCER - PRESSURE	039-0026-06	039-0026-06	039-0026-06	039-0026-06
64	TRANSFORMER CONTROL	037-0038-03	037-0038-03	037-0038-03	037-0038-03
65	CLAMP-CAPACITOR (Fan)	032-0743-00	032-0743-00	032-0743-00	032-0743-00
66	CLAMP-CAPACITOR (Run)	032-0359-00		032-0359-01	
67	CLAMP-CAPACITOR (Start)	032-0359-01		032-0359-01	
70	CLIP-PIPE	032-0688-02	032-0688-02	032-0688-02	032-0688-02
71	CLIP-SENSOR	032-0731-00	032-0731-00	032-0731-00	032-0731-00
72	HOLDER-SENSOR	032-0592-00	032-0592-00	032-0592-00	032-0592-00
73	BLOCK-TERMINAL - Black	980-0139-08	980-0139-08	980-0139-08	980-0139-08
74	BLOCK-TERMINAL - Red	980-0139-09	980-0139-09	980-0139-09	980-0139-09

XFAL (2 - 6 HP) Unit Diagram



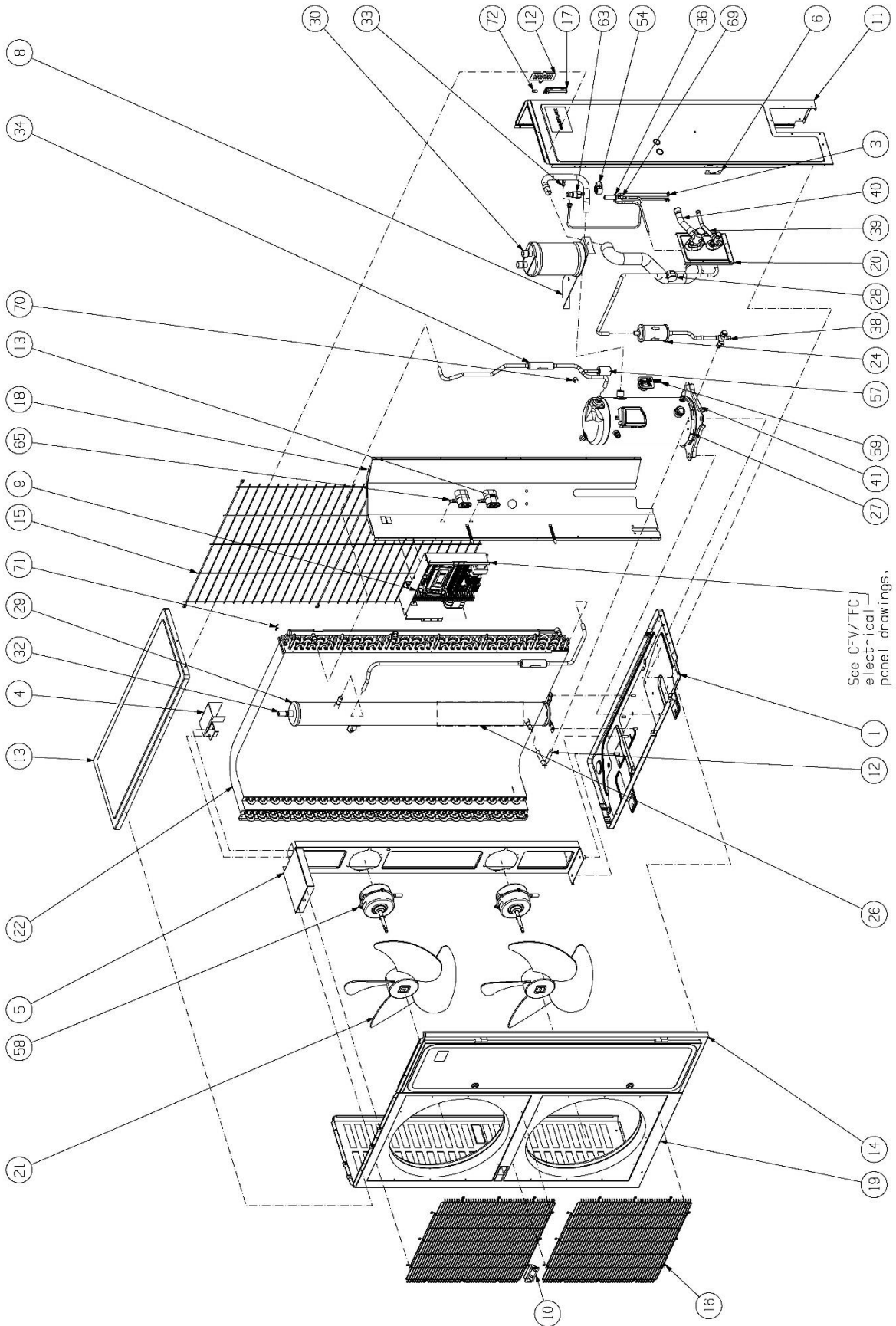
Parts List (XFAL-020Z, 030Z)

Item	Description	XFAL-020Z-CFV-081	XFAL-020Z-TFC-081	XFAL-030Z-TFC-081	XFAL-035Z-CFV-081
1	BASE-PLATE	922-0644-00	922-0644-00	922-0644-00	922-0644-00
2	BOX-ELECTRICAL	062-7053-00	062-7053-00	062-7053-00	062-7053-00
4	BRACKET:STABILIZER TOP	074-1205-00	074-1205-00	074-1205-00	074-1205-00
5	BRACKET-CONTROL MTG	074-1424-00	074-1424-00	074-1424-00	074-1424-00
6	BRACKET-COVER RIGHT	074-7284-00	074-7284-00	074-7284-00	074-7284-00
7	BRACKET-HEAT EXCHANGER	074-7283-00	074-7283-00	074-7283-00	074-7283-00
8	BRACKET-MOUNTING	074-7282-00	074-7282-00	074-7282-00	074-7282-00
9	COVER-ELECTRICAL BOX	905-7230-00	905-7230-00	905-7230-00	905-7230-00
10	COVER-HANDLE	905-7193-00	905-7193-00	905-7193-00	905-7193-00
11	COVER-RIGHT	905-1331-00	905-1331-00	905-1331-00	905-1331-00
12	HAND-WIDE GRIP	905-1280-00	905-1280-00	905-1280-00	905-1280-00
13	COVER-TOP	905-1273-00	905-1273-00	905-1273-00	905-1273-00
14	DOOR ASSEMBLY	505-7099-00	505-7099-00	505-7099-00	505-7099-00
15	GUARD-COND COIL	924-0263-00	924-0263-00	924-0263-00	924-0263-00
16	GUARD-FAN	924-0264-00	924-0264-00	924-0264-00	924-0264-00
17	HAND-GRIP	905-7193-01	905-7193-01	905-7193-01	905-7193-01
18	PLATE-DIVIDER	903-1487-00	903-1487-00	903-1487-00	903-1487-00
19	PLATE-FRONT LEFT	905-7215-00	905-7215-00	905-7215-00	905-7215-00
20	VALVE-PLATE	903-1220-00	903-1220-00	903-1220-00	903-1220-00
21	BLADE	983-6931-00	983-6931-00	983-6931-00	983-6931-00
22	CONDENSER	066-0389-00	066-0389-00	066-0800-00	066-0800-00
24	FILTER-DRIER	913-7000-31	913-7000-31	913-7000-31	913-7000-31
25	HEAT EXCHANGER	967-0025-01	967-0025-01	967-0025-01	967-0025-01
26	HEATER-RECEIVER	918-0100-00	918-0100-00	918-0100-00	918-0100-00
27	HEATER-CRANKCASE	918-0052-05	918-0052-05	918-0052-05	918-0043-00
28	INDICATOR-MOISTURE	970-7003-06	970-7003-06	970-7003-06	970-7003-06
29	RECEIVER ASSEMBLY	577-0542-00	577-0542-00	577-0542-00	577-0542-00
30	TANK-ACCUMULATOR	977-0037-01	977-0037-01	977-0037-01	977-0037-01
31	TANK-OIL SEPARATOR	977-0057-00	977-0057-00	977-0057-00	977-0057-00
32	Valve - Pressure Relief	910-0730-00	910-0730-00	910-0730-00	910-0730-00
33	VALVE-ACCESS	910-7062-00	910-7062-00	910-7062-00	910-7062-00
34	VALVE-CHECK	910-7003-01	910-7003-01	910-7003-01	910-7003-01
36	VALVE-EXV	910-0104-00	910-0104-00	910-0104-00	910-0104-00
38	VALVE-SERVICE (Receiver)	910-0142-02	910-0142-02	910-0142-02	910-0142-02
39	VALVE-SERVICE (Liquid)	910-7009-01	910-7009-01	910-7009-01	910-7009-01
40	VALVE-SERVICE (Suction)	910-0180-00	910-0180-00	910-0180-00	910-0180-00
41	WELD COMP	ZX106KCE-PFV-887	ZX106KCE-TF5-887	ZX109KCE-TF5-887	ZX111KCE-PFV-847
42	BREAKER-CURCUIT	971-7018-00	971-7018-00	971-7018-00	971-7018-00
43	CABLE- LIQUID LINE SENSOR				
44	CABLE- VAPOR INLET SENSOR	929-0304-00	929-0304-00	929-0304-00	929-0304-00
45	CABLE- VAPOR OUTLET SENSOR	929-0304-00	929-0304-00	929-0304-00	929-0304-00
46	CABLE-AMBIENT SENSOR	929-0304-00	929-0304-00	929-0304-00	929-0304-00
47	CABLE-COND TEMP SENSOR	929-0304-00	929-0304-00	929-0304-00	929-0304-00
48	CABLE-DISCH TEMP SENSOR	929-0304-00	929-0304-00	929-0304-00	929-0304-00
49	CABLE-TRANSDUCER	529-0114-08	529-0114-08	529-0114-08	529-0114-08
50	CABLE-WIRE HARNESS	529-0222-01	529-0222-01	529-0222-01	529-0222-01
51	CAPACITOR-FAN	914-0083-00	914-0083-00	914-0083-00	914-0083-00
52	CAPACITOR-RUNNING	914-0037-36			914-0037-22
53	CAPACITOR-START	914-0036-03			914-0036-03
54	COIL-EXV	923-0068-00	923-0068-00	923-0068-00	923-0068-00
55	CONTACTOR	912-1401-04	912-3040-02	912-3040-02	912-1401-04
56	CONTROLLER-ELECT. UNIT	943-0214-00	943-0214-00	943-0214-00	943-0214-00
57	CONTROL-PRESSURE	985-7031-06	985-7031-06	985-7031-06	985-7031-06
58	MOTOR-FAN	050-0316-01	050-0316-01	050-0316-01	050-0316-01
59	POWER CABLE-MOLDED PLUG	529-0060-04	529-0060-04	529-0060-04	529-0060-04
60	RELAY-DEFROST	940-0181-00	940-0181-00	940-0181-00	940-0181-00
61	RELAY-POTENTIAL	940-0001-79			940-0001-79
62	TERMINAL BLOCK ASSEMBLY	980-0086-00	980-0086-01	980-0086-01	980-0086-00
63	TRANSDUCER - PRESSURE	039-0026-06	039-0026-06	039-0026-06	039-0026-06
64	TRANSFORMER CONTROL	037-0038-03	037-0038-03	037-0038-03	037-0038-03
65	CLAMP-CAPACITOR (Fan)	032-0743-00	032-0743-00	032-0743-00	032-0743-00
66	CLAMP-CAPACITOR (Run)	032-0359-01			032-0359-02
67	CLAMP-CAPACITOR (Start)	032-0359-01			032-0359-01
68	CLAMP-HEAT EXCHANGER	032-7052-00	032-7052-00	032-7052-00	032-7052-00
70	CLIP-PIPE	032-0688-02	032-0688-02	032-0688-02	032-0688-02
71	CLIP-DIVIDER PLATE	032-0731-00	032-0731-00	032-0731-00	032-0731-00
72	HOLDER-SENSOR	032-0592-00	032-0592-00	032-0592-00	032-0592-00
73	BLOCK-TERMINAL - Black	980-0139-08	980-0139-08	980-0139-08	980-0139-08
74	BLOCK-TERMINAL - Red	980-0139-09	980-0139-09	980-0139-09	980-0139-09

Parts List (XFAL-040Z, 050Z, 051Z, 060Z)

Item	Description	XFAL-040Z-CFV-081	XFAL-040Z-TFC-081	XFAL-050Z-TFC-081	XFAL-051Z-CFV-081	XFAL-060Z-TFC-081
1	BASE-PLATE	922-0644-00	922-0644-00	922-0644-00	922-0644-00	922-0644-00
2	BOX-ELECTRICAL	062-7053-00	062-7053-00	062-7053-00	062-7053-00	062-7053-00
4	BRACKET:STABILIZER TOP	074-1205-00	074-1205-00	074-1205-00	074-1205-00	074-1205-00
5	BRACKET-CONTROL MTG	074-1425-00	074-1425-00	074-1425-00	074-1425-00	074-1425-00
6	BRACKET-COVER RIGHT	074-7284-00	074-7284-00	074-7284-00	074-7284-00	074-7284-00
7	BRACKET-HEAT EXCHANGER	074-7283-00	074-7283-00	074-7283-00	074-7283-00	074-7283-00
8	BRACKET-MOUNTING	074-7282-00	074-7282-00	074-7282-00	074-7282-00	074-7282-00
9	COVER-ELECTRICAL BOX	905-7230-00	905-7230-00	905-7230-00	905-7230-00	905-7230-00
10	COVER-HANDLE	905-7193-00	905-7193-00	905-7193-00	905-7193-00	905-7193-00
11	COVER-RIGHT	905-1332-00	905-1332-00	905-1332-00	905-1332-00	905-1332-00
12	HAND-WIDE GRIP	905-1280-00	905-1280-00	905-1280-00	905-1280-00	905-1280-00
13	COVER-TOP	905-1273-00	905-1273-00	905-1273-00	905-1273-00	905-1273-00
14	DOOR ASSEMBLY	505-7098-00	505-7098-00	505-7098-00	505-7098-00	505-7098-00
15	GUARD-COND COIL	924-0262-00	924-0262-00	924-0262-00	924-0262-00	924-0262-00
16	GUARD-FAN	924-0264-00	924-0264-00	924-0264-00	924-0264-00	924-0264-00
17	HAND-GRIP	905-7193-01	905-7193-01	905-7193-01	905-7193-01	905-7193-01
18	PLATE-DIVIDER	903-1576-00	903-1576-00	903-1576-00	903-1576-00	903-1576-00
19	PLATE-FRONT LEFT	905-7214-00	905-7214-00	905-7214-00	905-7214-00	905-7214-00
20	VALVE-PLATE	903-1220-00	903-1220-00	903-1220-00	903-1220-00	903-1220-00
21	BLADE	983-6931-00	983-6931-00	983-6931-00	983-6931-00	983-6931-00
22	CONDENSER	066-0388-00	066-0388-00	066-0387-00	066-0387-00	066-0393-00
24	FILTER-DRIER	913-7000-31	913-7000-31	913-7000-31	913-7000-31	913-7000-31
25	HEAT EXCHANGER	967-0025-00	967-0025-00	967-0025-00	967-0025-00	967-0025-00
26	HEATER-RECEIVER	918-0100-00	918-0100-00	918-0100-00	918-0100-00	918-0100-00
27	HEATER-CRANKCASE	918-0043-00	918-0043-00	918-0043-00	918-0043-00	918-0043-00
28	INDICATOR-MOISTURE	970-7003-06	970-7003-06	970-7003-06	970-7003-06	970-7003-06
29	RECEIVER ASSEMBLY	577-0542-01	577-0542-01	577-0542-01	577-0542-01	577-0542-01
30	TANK-ACCUMULATOR	977-0036-01	977-0036-01	977-0036-01	977-0036-01	977-0036-01
31	TANK-OIL SEPARATOR	977-0057-00	977-0057-00	977-0057-00	977-0057-00	977-0057-00
32	Valve - Pressure Relief	910-0730-00	910-0730-00	910-0730-00	910-0730-00	910-0730-00
33	VALVE-ACCESS	910-7062-00	910-7062-00	910-7062-00	910-7062-00	910-7062-00
34	VALVE-CHECK	910-7003-01	910-7003-01	910-7003-01	910-7003-01	910-7003-01
36	VALVE-EXV	910-0104-00	910-0104-00	910-0104-00	910-0104-00	910-0104-00
38	VALVE-SERVICE (Receiver)	910-0142-02	910-0142-02	910-0142-02	910-0142-02	910-0142-02
39	VALVE-SERVICE (Liquid)	910-7009-01	910-7009-01	910-7009-01	910-7009-01	910-7009-01
40	VALVE-SERVICE (Suction)	910-0180-00	910-0180-00	910-0180-00	910-0180-00	910-0180-00
41	WELD COMP	ZXI14KCE-PFV-847	ZXI14KCE-TF5-847	ZXI15KCE-TF5-847	ZXI16KCE-PFV-957	ZXI18KCE-TF5-957
42	BREAKER-CURCUIT	971-7018-00	971-7018-00	971-7018-00	971-7018-00	971-7018-00
43	CABLE- LIQUID LINE SENSOR	929-0304-00	929-0304-00	929-0304-00	929-0304-00	929-0304-00
44	CABLE- VAPOR INLET SENSOR	929-0304-00	929-0304-00	929-0304-00	929-0304-00	929-0304-00
45	CABLE- VAPOR OUTLET SENSOR	929-0304-00	929-0304-00	929-0304-00	929-0304-00	929-0304-00
46	CABLE-AMBIENT SENSOR	929-0304-00	929-0304-00	929-0304-00	929-0304-00	929-0304-00
47	CABLE-COND TEMP SENSOR	929-0304-00	929-0304-00	929-0304-00	929-0304-00	929-0304-00
48	CABLE-DISCH TEMP SENSOR	929-0304-00	929-0304-00	929-0304-00	929-0304-00	929-0304-00
49	CABLE-TRANSDUCER	529-0114-08	529-0114-08	529-0114-08	529-0114-08	529-0114-08
50	CABLE-WIRE HARNESS	529-0222-02	529-0222-02	529-0222-02	529-0222-02	529-0222-02
51	CAPACITOR-FAN	914-0083-00	914-0083-00	914-0083-00	914-0083-00	914-0083-00
52	CAPACITOR-RUNNING	914-0037-38			914-0037-52	
53	CAPACITOR-START	914-0036-03			914-0006-10	
54	COIL-EXV	923-0068-00	923-0068-00	923-0068-00	923-0068-00	923-0068-00
55	CONTACTOR	912-1401-04	912-3040-02	912-3040-02	912-1401-04	912-3040-02
56	CONTROLLER-ELECT. UNIT	943-0214-00	943-0214-00	943-0214-00	943-0214-00	943-0214-00
57	CONTROL-PRESSURE	985-7031-06	985-7031-06	985-7031-06	985-7031-06	985-7031-06
58	MOTOR-FAN	050-0316-01	050-0316-01	050-0316-01	050-0316-01	050-0316-01
59	POWER CABLE-MOLDED PLUG	529-0060-25	529-0060-25	529-0060-25		
60	RELAY-DEFROST	940-0181-00	940-0181-00	940-0181-00	940-0181-00	940-0181-00
61	RELAY-POTENTIAL	940-0001-79			940-0046-24	
62	TERMINAL BLOCK ASSEMBLY	980-0086-00	980-0086-01	980-0086-01	980-0086-00	980-0086-01
63	TRANSDUCER - PRESSURE	039-0026-06	039-0026-06	039-0026-06	039-0026-06	039-0026-06
64	TRANSFORMER CONTROL	037-0038-03	037-0038-03	037-0038-03	037-0038-03	037-0038-03
65	CLAMP-CAPACITOR (Fan)	032-0743-00	032-0743-00	032-0743-00	032-0743-00	032-0743-00
66	CLAMP-CAPACITOR (Run)	032-0359-01			032-0359-02	
67	CLAMP-CAPACITOR (Start)	032-0359-01			032-0359-01	
68	CLAMP-HEAT EXCHANGER	032-7052-00	032-7052-00	032-7052-00	032-7052-00	032-7052-00
70	CLIP-PIPE	032-0688-02	032-0688-02	032-0688-02	032-0688-02	032-0688-02
71	CLIP-DIVIDER PLATE	032-0731-00	032-0731-00	032-0731-00	032-0731-00	032-0731-00
72	HOLDER-SENSOR	032-0592-00	032-0592-00	032-0592-00	032-0592-00	032-0592-00
73	BLOCK-TERMINAL - Black	980-0139-08	980-0139-08	980-0139-08	980-0139-08	980-0139-08
74	BLOCK-TERMINAL - Red	980-0139-09	980-0139-09	980-0139-09	980-0139-09	980-0139-09

XFAM / XFAP Unit Diagram



Parts List (XFAM-008Z, 010Z)

Item	Description	XFAM-008Z-CFV-081	XFAM-008Z-TFC-081	XFAM-010Z-CFV-081	XFAM-010Z-TFC-081
1	BASE-PLATE	922-0644-00	922-0644-00	922-0644-00	922-0644-00
2	BOX-ELECTRICAL	062-7053-00	062-7053-00	062-7053-00	062-7053-00
3	BRACKET:EXV	074-1207-01	074-1207-01	074-1207-01	074-1207-01
4	BRACKET:STABILIZER TOP	074-1205-00	074-1205-00	074-1205-00	074-1205-00
5	BRACKET-CONTROL MTG	074-1424-00	074-1424-00	074-1424-00	074-1424-00
6	BRACKET-COVER RIGHT	074-7284-00	074-7284-00	074-7284-00	074-7284-00
9	COVER-ELECTRICAL BOX	905-7230-00	905-7230-00	905-7230-00	905-7230-00
10	COVER-HANDLE	905-7193-00	905-7193-00	905-7193-00	905-7193-00
11	COVER-RIGHT	905-1331-00	905-1331-00	905-1331-00	905-1331-00
12	HAND-WIDE GRIP	905-1280-00	905-1280-00	905-1280-00	905-1280-00
13	COVER-TOP	905-1273-00	905-1273-00	905-1273-00	905-1273-00
14	DOOR ASSEMBLY	505-7099-00	505-7099-00	505-7099-00	505-7099-00
15	GUARD-COND COIL	924-0263-00	924-0263-00	924-0263-00	924-0263-00
16	GUARD-FAN	924-0264-00	924-0264-00	924-0264-00	924-0264-00
17	HAND-GRIP	905-7193-01	905-7193-01	905-7193-01	905-7193-01
18	PLATE-DIVIDER	903-1487-00	903-1487-00	903-1487-00	903-1487-00
19	PLATE-FRONT LEFT	905-7215-00	905-7215-00	905-7215-00	905-7215-00
20	VALVE-PLATE	903-1220-00	903-1220-00	903-1220-00	903-1220-00
21	BLADE	983-6931-00	983-6931-00	983-6931-00	983-6931-00
22	CONDENSER	066-0389-00	066-0389-00	066-0389-00	066-0389-00
24	FILTER-DRIER	913-7000-31	913-7000-31	913-7000-31	913-7000-31
26	HEATER-RECEIVER	918-0100-00	918-0100-00	918-0100-00	918-0100-00
27	HEATER-CRANKCASE	918-0052-05	918-0052-05	918-0052-05	918-0052-05
28	INDICATOR-MOISTURE	970-7003-06	970-7003-06	970-7003-06	970-7003-06
29	RECEIVER ASSEMBLY	577-0542-00	577-0542-00	577-0542-00	577-0542-00
32	Valve - Pressure Relief	910-0730-00	910-0730-00	910-0730-00	910-0730-00
33	VALVE-ACCESS	910-7062-00	910-7062-00	910-7062-00	910-7062-00
34	VALVE-CHECK	910-7003-01	910-7003-01	910-7003-01	910-7003-01
36	VALVE-EXV	910-0104-00	910-0104-00	910-0104-00	910-0104-00
38	VALVE-SERVICE (Receiver)	910-0142-02	910-0142-02	910-0142-02	910-0142-02
39	VALVE-SERVICE (Liquid)	910-7009-01	910-7009-01	910-7009-01	910-7009-01
40	VALVE-SERVICE (Suction)	910-0180-00	910-0180-00	910-0180-00	910-0180-00
41	WELD COMP	ZB06KAE-PFV-818	ZB06KAE-TF5-818	ZB07KAE-PFV-818	ZB07KAE-TF5-818
42	BREAKER-CURCUIT	971-7018-00	971-7018-00	971-7018-00	971-7018-00
46	CABLE-AMBIENT SENSOR	929-0304-00	929-0304-00	929-0304-00	929-0304-00
47	CABLE-COND TEMP SENSOR	929-0304-00	929-0304-00	929-0304-00	929-0304-00
48	CABLE-DISCH TEMP SENSOR	929-0304-00	929-0304-00	929-0304-00	929-0304-00
49	CABLE-TRANSDUCER	529-0114-08	529-0114-08	529-0114-08	529-0114-08
50	CABLE-WIRE HARNESS	529-0222-01	529-0222-01	529-0222-01	529-0222-01
51	CAPACITOR-FAN	914-0083-00	914-0083-00	914-0083-00	914-0083-00
52	CAPACITOR-RUNNING	914-0037-11		914-0037-11	
53	CAPACITOR-START	914-0036-03		914-0036-03	
54	COIL-EXV	923-0068-00	923-0068-00	923-0068-00	923-0068-00
55	CONTACTOR	912-1401-04	912-3040-02	912-1401-04	912-3040-02
56	CONTROLLER-ELECT. UNIT	943-0214-00	943-0214-00	943-0214-00	943-0214-00
57	CONTROL-PRESSURE	985-7031-06	985-7031-06	985-7031-06	985-7031-06
58	MOTOR-FAN	050-0316-01	050-0316-01	050-0316-01	050-0316-01
59	POWER CABLE-MOLDED PLUG	529-0060-04	529-0060-04	529-0060-04	529-0060-04
60	RELAY-DEFROST	940-0181-00	940-0181-00	940-0181-00	940-0181-00
61	RELAY-POTENTIAL	940-0001-79		940-0001-79	
62	TERMINAL BLOCK ASSEMBLY	980-0086-00	980-0086-01	980-0086-00	980-0086-01
63	TRANSDUCER - PRESSURE	039-0026-06	039-0026-06	039-0026-06	039-0026-06
64	TRANSFORMER CONTROL	037-0038-03	037-0038-03	037-0038-03	037-0038-03
65	CLAMP-CAPACITOR (Fan)	032-0743-00	032-0743-00	032-0743-00	032-0743-00
66	CLAMP-CAPACITOR (Run)	032-0359-00		032-0359-00	
67	CLAMP-CAPACITOR (Start)	032-0359-01		032-0359-01	
69	CLAMP-TUBE	032-7003-06	032-7003-06	032-7003-06	032-7003-06
70	CLIP-PIPE	032-0688-02	032-0688-02	032-0688-02	032-0688-02
71	CLIP-DIVIDER PLATE	032-0731-00	032-0731-00	032-0731-00	032-0731-00
72	HOLDER-SENSOR	032-0592-00	032-0592-00	032-0592-00	032-0592-00
73	BLOCK-TERMINAL - Black	980-0139-08	980-0139-08	980-0139-08	980-0139-08
74	BLOCK-TERMINAL - Red	980-0139-09	980-0139-09	980-0139-09	980-0139-09

Parts List (XFAM-012Z, 015Z)

Item	Description	XFAM-012Z-CFV-081	XFAM-012Z-TFC-081	XFAM-015Z-CFV-081	XFAM-015Z-TFC-081
1	BASE-PLATE	922-0644-00	922-0644-00	922-0644-00	922-0644-00
2	BOX-ELECTRICAL	062-7053-00	062-7053-00	062-7053-00	062-7053-00
3	BRACKET:EXV	074-1207-01	074-1207-01	074-1207-01	074-1207-01
4	BRACKET:STABILIZER TOP	074-1205-00	074-1205-00	074-1205-00	074-1205-00
5	BRACKET-CONTROL MTG	074-1424-00	074-1424-00	074-1424-00	074-1424-00
6	BRACKET-COVER RIGHT	074-7284-00	074-7284-00	074-7284-00	074-7284-00
9	COVER-ELECTRICAL BOX	905-7230-00	905-7230-00	905-7230-00	905-7230-00
10	COVER-HANDLE	905-7193-00	905-7193-00	905-7193-00	905-7193-00
11	COVER-RIGHT	905-1331-00	905-1331-00	905-1331-00	905-1331-00
12	HAND-WIDE GRIP	905-1280-00	905-1280-00	905-1280-00	905-1280-00
13	COVER-TOP	905-1273-00	905-1273-00	905-1273-00	905-1273-00
14	DOOR ASSEMBLY	505-7099-00	505-7099-00	505-7099-00	505-7099-00
15	GUARD-COND COIL	924-0263-00	924-0263-00	924-0263-00	924-0263-00
16	GUARD-FAN	924-0264-00	924-0264-00	924-0264-00	924-0264-00
17	HAND-GRIP	905-7193-01	905-7193-01	905-7193-01	905-7193-01
18	PLATE-DIVIDER	903-1487-00	903-1487-00	903-1487-00	903-1487-00
19	PLATE-FRONT LEFT	905-7215-00	905-7215-00	905-7215-00	905-7215-00
20	VALVE-PLATE	903-1220-00	903-1220-00	903-1220-00	903-1220-00
21	BLADE	983-6931-00	983-6931-00	983-6931-00	983-6931-00
22	CONDENSER	066-0389-00	066-0389-00	066-0389-00	066-0389-00
24	FILTER-DRIER	913-7000-31	913-7000-31	913-7000-31	913-7000-31
26	HEATER-RECEIVER	918-0100-00	918-0100-00	918-0100-00	918-0100-00
27	HEATER-CRANKCASE	918-0052-05	918-0052-05	918-0052-05	918-0052-05
28	INDICATOR-MOISTURE	970-7003-06	970-7003-06	970-7003-06	970-7003-06
29	RECEIVER ASSEMBLY	577-0542-00	577-0542-00	577-0542-00	577-0542-00
32	Valve - Pressure Relief	910-0730-00	910-0730-00	910-0730-00	910-0730-00
33	VALVE-ACCESS	910-7062-00	910-7062-00	910-7062-00	910-7062-00
34	VALVE-CHECK	910-7003-01	910-7003-01	910-7003-01	910-7003-01
36	VALVE-EXV	910-0104-00	910-0104-00	910-0104-00	910-0104-00
38	VALVE-SERVICE (Receiver)	910-0142-02	910-0142-02	910-0142-02	910-0142-02
39	VALVE-SERVICE (Liquid)	910-7009-01	910-7009-01	910-7009-01	910-7009-01
40	VALVE-SERVICE (Suction)	910-0180-00	910-0180-00	910-0180-00	910-0180-00
41	WELD COMP	ZB08KAE-PFV-818	ZB08KAE-TF5-818	ZS09KAE-PFV-818	ZS09KAE-TF5-818
42	BREAKER-CURCUIT	971-7018-00	971-7018-00	971-7018-00	971-7018-00
46	CABLE-AMBIENT SENSOR	929-0304-00	929-0304-00	929-0304-00	929-0304-00
47	CABLE-COND TEMP SENSOR	929-0304-00	929-0304-00	929-0304-00	929-0304-00
48	CABLE-DISCH TEMP SENSOR	929-0304-00	929-0304-00	929-0304-00	929-0304-00
49	CABLE-TRANSDUCER	529-0114-08	529-0114-08	529-0114-08	529-0114-08
50	CABLE-WIRE HARNESS	529-0222-01	529-0222-01	529-0222-01	529-0222-01
51	CAPACITOR-FAN	914-0083-00	914-0083-00	914-0083-00	914-0083-00
52	CAPACITOR-RUNNING	914-0037-11		914-0037-10	
53	CAPACITOR-START	914-0036-03		914-0036-03	
54	COIL-EXV	923-0068-00	923-0068-00	923-0068-00	923-0068-00
55	CONTACTOR	912-1401-04	912-3040-02	912-1401-04	912-3040-02
56	CONTROLLER-ELECT. UNIT	943-0214-00	943-0214-00	943-0214-00	943-0214-00
57	CONTROL-PRESSURE	985-7031-06	985-7031-06	985-7031-06	985-7031-06
58	MOTOR-FAN	050-0316-01	050-0316-01	050-0316-01	050-0316-01
59	POWER CABLE-MOLDED PLUG	529-0060-04	529-0060-04	529-0060-04	529-0060-04
60	RELAY-DEFROST	940-0181-00	940-0181-00	940-0181-00	940-0181-00
61	RELAY-POTENTIAL	940-0001-79		940-0001-79	
62	TERMINAL BLOCK ASSEMBLY	980-0086-00	980-0086-01	980-0086-00	980-0086-01
63	TRANSDUCER - PRESSURE	039-0026-06	039-0026-06	039-0026-06	039-0026-06
64	TRANSFORMER CONTROL	037-0038-03	037-0038-03	037-0038-03	037-0038-03
65	CLAMP-CAPACITOR (Fan)	032-0743-00	032-0743-00	032-0743-00	032-0743-00
66	CLAMP-CAPACITOR (Run)	032-0359-00		032-0359-00	
67	CLAMP-CAPACITOR (Start)	032-0359-01		032-0359-01	
69	CLAMP-TUBE	032-7003-06	032-7003-06	032-7003-06	032-7003-06
70	CLIP-PIPE	032-0688-02	032-0688-02	032-0688-02	032-0688-02
71	CLIP-DIVIDER PLATE	032-0731-00	032-0731-00	032-0731-00	032-0731-00
72	HOLDER-SENSOR	032-0592-00	032-0592-00	032-0592-00	032-0592-00
73	BLOCK-TERMINAL - Black	980-0139-08	980-0139-08	980-0139-08	980-0139-08
74	BLOCK-TERMINAL - Red	980-0139-09	980-0139-09	980-0139-09	980-0139-09

Parts List (XFAM-017Z, 020Z)

Item	Description	XFAM-017Z-CFV-081	XFAM-017Z-TFC-081	XFAM-020Z-CFV-081	XFAM-020Z-TFC-081
1	BASE-PLATE	922-0644-00	922-0644-00	922-0644-00	922-0644-00
2	BOX-ELECTRICAL	062-7053-00	062-7053-00	062-7053-00	062-7053-00
3	BRACKET:EXV	074-1207-01	074-1207-01	074-1207-01	074-1207-01
4	BRACKET:STABILIZER TOP	074-1205-00	074-1205-00	074-1205-00	074-1205-00
5	BRACKET-CONTROL MTG	074-1424-00	074-1424-00	074-1424-00	074-1424-00
6	BRACKET-COVER RIGHT	074-7284-00	074-7284-00	074-7284-00	074-7284-00
9	COVER-ELECTRICAL BOX	905-7230-00	905-7230-00	905-7230-00	905-7230-00
10	COVER-HANDLE	905-7193-00	905-7193-00	905-7193-00	905-7193-00
11	COVER-RIGHT	905-1331-00	905-1331-00	905-1331-00	905-1331-00
12	HAND-WIDE GRIP	905-1280-00	905-1280-00	905-1280-00	905-1280-00
13	COVER-TOP	905-1273-00	905-1273-00	905-1273-00	905-1273-00
14	DOOR ASSEMBLY	505-7099-00	505-7099-00	505-7099-00	505-7099-00
15	GUARD-COND COIL	924-0263-00	924-0263-00	924-0263-00	924-0263-00
16	GUARD-FAN	924-0264-00	924-0264-00	924-0264-00	924-0264-00
17	HAND-GRIP	905-7193-01	905-7193-01	905-7193-01	905-7193-01
18	PLATE-DIVIDER	903-1487-00	903-1487-00	903-1487-00	903-1487-00
19	PLATE-FRONT LEFT	905-7215-00	905-7215-00	905-7215-00	905-7215-00
20	VALVE-PLATE	903-1220-00	903-1220-00	903-1220-00	903-1220-00
21	BLADE	983-6931-00	983-6931-00	983-6931-00	983-6931-00
22	CONDENSER	066-0389-00	066-0389-00	066-0389-00	066-0389-00
24	FILTER-DRIER	913-7000-31	913-7000-31	913-7000-31	913-7000-31
26	HEATER-RECEIVER	918-0100-00	918-0100-00	918-0100-00	918-0100-00
27	HEATER-CRANKCASE	918-0052-05	918-0052-05	918-0052-05	918-0052-05
28	INDICATOR-MOISTURE	970-7003-06	970-7003-06	970-7003-06	970-7003-06
29	RECEIVER ASSEMBLY	577-0542-00	577-0542-00	577-0542-00	577-0542-00
32	Valve - Pressure Relief	910-0730-00	910-0730-00	910-0730-00	910-0730-00
33	VALVE-ACCESS	910-7062-00	910-7062-00	910-7062-00	910-7062-00
34	VALVE-CHECK	910-7003-01	910-7003-01	910-7003-01	910-7003-01
36	VALVE-EXV	910-0104-00	910-0104-00	910-0104-00	910-0104-00
38	VALVE-SERVICE (Receiver)	910-0142-02	910-0142-02	910-0142-02	910-0142-02
39	VALVE-SERVICE (Liquid)	910-7009-01	910-7009-01	910-7009-01	910-7009-01
40	VALVE-SERVICE (Suction)	910-0180-00	910-0180-00	910-0180-00	910-0180-00
41	WELD COMP	ZS11KAE-PFV-818	ZS11KAE-TF5-818	ZS13KAE-PFV-818	ZS13KAE-TF5-818
42	BREAKER-CURCUIT	971-7018-00	971-7018-00	971-7018-00	971-7018-00
46	CABLE-AMBIENT SENSOR	929-0304-00	929-0304-00	929-0304-00	929-0304-00
47	CABLE-COND TEMP SENSOR	929-0304-00	929-0304-00	929-0304-00	929-0304-00
48	CABLE-DISCH TEMP SENSOR	929-0304-00	929-0304-00	929-0304-00	929-0304-00
49	CABLE-TRANSDUCER	529-0114-08	529-0114-08	529-0114-08	529-0114-08
50	CABLE-WIRE HARNESS	529-0222-01	529-0222-01	529-0222-01	529-0222-01
51	CAPACITOR-FAN	914-0083-00	914-0083-00	914-0083-00	914-0083-00
52	CAPACITOR-RUNNING	914-0037-10		914-0037-11	
53	CAPACITOR-START	914-0036-03		914-0036-03	
54	COIL-EXV	923-0068-00	923-0068-00	923-0068-00	923-0068-00
55	CONTACTOR	912-1401-04	912-3040-02	912-1401-04	912-3040-02
56	CONTROLLER-ELECT. UNIT	943-0214-00	943-0214-00	943-0214-00	943-0214-00
57	CONTROL-PRESSURE	985-7031-06	985-7031-06	985-7031-06	985-7031-06
58	MOTOR-FAN	050-0316-01	050-0316-01	050-0316-01	050-0316-01
59	POWER CABLE-MOLDED PLUG	529-0060-04	529-0060-04	529-0060-04	529-0060-04
60	RELAY-DEFROST	940-0181-00	940-0181-00	940-0181-00	940-0181-00
61	RELAY-POTENTIAL	940-0001-79		940-0001-79	
62	TERMINAL BLOCK ASSEMBLY	980-0086-00	980-0086-01	980-0086-00	980-0086-01
63	TRANSDUCER - PRESSURE	039-0026-06	039-0026-06	039-0026-06	039-0026-06
64	TRANSFORMER CONTROL	037-0038-03	037-0038-03	037-0038-03	037-0038-03
65	CLAMP-CAPACITOR (Fan)	032-0743-00	032-0743-00	032-0743-00	032-0743-00
66	CLAMP-CAPACITOR (Run)	032-0359-00		032-0359-00	
67	CLAMP-CAPACITOR (Start)	032-0359-01		032-0359-01	
69	CLAMP-TUBE	032-7003-06	032-7003-06	032-7003-06	032-7003-06
70	CLIP-PIPE	032-0688-02	032-0688-02	032-0688-02	032-0688-02
71	CLIP-DIVIDER PLATE	032-0731-00	032-0731-00	032-0731-00	032-0731-00
72	HOLDER-SENSOR	032-0592-00	032-0592-00	032-0592-00	032-0592-00
73	BLOCK-TERMINAL - Black	980-0139-08	980-0139-08	980-0139-08	980-0139-08
74	BLOCK-TERMINAL - Red	980-0139-09	980-0139-09	980-0139-09	980-0139-09

Parts List (XFAM-022Z, 025Z)

Item	Description	XFAM-022Z-CFV-081	XFAM-022Z-TFC-081	XFAM-025Z-CFV-081	XFAM-025Z-TFC-081
1	BASE-PLATE	922-0644-00	922-0644-00	922-0644-00	922-0644-00
2	BOX-ELECTRICAL	062-7053-00	062-7053-00	062-7053-00	062-7053-00
3	BRACKET:EXV	074-1207-01	074-1207-01	074-1207-01	074-1207-01
4	BRACKET:STABILIZER TOP	074-1205-00	074-1205-00	074-1205-00	074-1205-00
5	BRACKET-CONTROL MTG	074-1424-00	074-1424-00	074-1424-00	074-1424-00
6	BRACKET-COVER RIGHT	074-7284-00	074-7284-00	074-7284-00	074-7284-00
9	COVER-ELECTRICAL BOX	905-7230-00	905-7230-00	905-7230-00	905-7230-00
10	COVER-HANDLE	905-7193-00	905-7193-00	905-7193-00	905-7193-00
11	COVER-RIGHT	905-1331-00	905-1331-00	905-1331-00	905-1331-00
12	HAND-WIDE GRIP	905-1280-00	905-1280-00	905-1280-00	905-1280-00
13	COVER-TOP	905-1273-00	905-1273-00	905-1273-00	905-1273-00
14	DOOR ASSEMBLY	505-7099-00	505-7099-00	505-7099-00	505-7099-00
15	GUARD-COND COIL	924-0263-00	924-0263-00	924-0263-00	924-0263-00
16	GUARD-FAN	924-0264-00	924-0264-00	924-0264-00	924-0264-00
17	HAND-GRIP	905-7193-01	905-7193-01	905-7193-01	905-7193-01
18	PLATE-DIVIDER	903-1487-00	903-1487-00	903-1487-00	903-1487-00
19	PLATE-FRONT LEFT	905-7215-00	905-7215-00	905-7215-00	905-7215-00
20	VALVE-PLATE	903-1220-00	903-1220-00	903-1220-00	903-1220-00
21	BLADE	983-6931-00	983-6931-00	983-6931-00	983-6931-00
22	CONDENSER	066-0389-00	066-0389-00	066-0389-00	066-0389-00
24	FILTER-DRIER	913-7000-31	913-7000-31	913-7000-31	913-7000-31
26	HEATER-RECEIVER	918-0100-00	918-0100-00	918-0100-00	918-0100-00
27	HEATER-CRANKCASE	918-0052-05	918-0052-05	918-0052-05	918-0052-05
28	INDICATOR-MOISTURE	970-7003-06	970-7003-06	970-7003-06	970-7003-06
29	RECEIVER ASSEMBLY	577-0542-00	577-0542-00	577-0542-00	577-0542-00
32	Valve - Pressure Relief	910-0730-00	910-0730-00	910-0730-00	910-0730-00
33	VALVE-ACCESS	910-7062-00	910-7062-00	910-7062-00	910-7062-00
34	VALVE-CHECK	910-7003-01	910-7003-01	910-7003-01	910-7003-01
36	VALVE-EXV	910-0104-00	910-0104-00	910-0104-00	910-0104-00
38	VALVE-SERVICE (Receiver)	910-0142-02	910-0142-02	910-0142-02	910-0142-02
39	VALVE-SERVICE (Liquid)	910-7009-01	910-7009-01	910-7009-01	910-7009-01
40	VALVE-SERVICE (Suction)	910-0180-00	910-0180-00	910-0180-00	910-0180-00
41	WELD COMP	ZS15KAE-PFV-818	ZS15KAE-TF5-818	ZS19KAE-PFV-818	ZS19KAE-TF5-818
42	BREAKER-CURCUIT	971-7018-00	971-7018-00	971-7018-00	971-7018-00
46	CABLE-AMBIENT SENSOR	929-0304-00	929-0304-00	929-0304-00	929-0304-00
47	CABLE-COND TEMP SENSOR	929-0304-00	929-0304-00	929-0304-00	929-0304-00
48	CABLE-DISCH TEMP SENSOR	929-0304-00	929-0304-00	929-0304-00	929-0304-00
49	CABLE-TRANSDUCER	529-0114-08	529-0114-08	529-0114-08	529-0114-08
50	CABLE-WIRE HARNESS	529-0222-01	529-0222-01	529-0222-01	529-0222-01
51	CAPACITOR-FAN	914-0083-00	914-0083-00	914-0083-00	914-0083-00
52	CAPACITOR-RUNNING	914-0037-12		914-0037-36	
53	CAPACITOR-START	914-0036-03		914-0036-03	
54	COIL-EXV	923-0068-00	923-0068-00	923-0068-00	923-0068-00
55	CONTACTOR	912-1401-04	912-3040-02	912-1401-04	912-3040-02
56	CONTROLLER-ELECT. UNIT	943-0214-00	943-0214-00	943-0214-00	943-0214-00
57	CONTROL-PRESSURE	985-7031-06	985-7031-06	985-7031-06	985-7031-06
58	MOTOR-FAN	050-0316-01	050-0316-01	050-0316-01	050-0316-01
59	POWER CABLE-MOLDED PLUG	529-0060-04	529-0060-04	529-0060-04	529-0060-04
60	RELAY-DEFROST	940-0181-00	940-0181-00	940-0181-00	940-0181-00
61	RELAY-POTENTIAL	940-0001-79		940-0001-79	
62	TERMINAL BLOCK ASSEMBLY	980-0086-00	980-0086-01	980-0086-00	980-0086-01
63	TRANSDUCER - PRESSURE	039-0026-06	039-0026-06	039-0026-06	039-0026-06
64	TRANSFORMER CONTROL	037-0038-03	037-0038-03	037-0038-03	037-0038-03
65	CLAMP-CAPACITOR (Fan)	032-0743-00	032-0743-00	032-0743-00	032-0743-00
66	CLAMP-CAPACITOR (Run)	032-0359-00		032-0359-00	
67	CLAMP-CAPACITOR (Start)	032-0359-01		032-0359-01	
69	CLAMP-TUBE	032-7003-06	032-7003-06	032-7003-06	032-7003-06
70	CLIP-PIPE	032-0688-02	032-0688-02	032-0688-02	032-0688-02
71	CLIP-DIVIDER PLATE	032-0731-00	032-0731-00	032-0731-00	032-0731-00
72	HOLDER-SENSOR	032-0592-00	032-0592-00	032-0592-00	032-0592-00
73	BLOCK-TERMINAL - Black	980-0139-08	980-0139-08	980-0139-08	980-0139-08
74	BLOCK-TERMINAL - Red	980-0139-09	980-0139-09	980-0139-09	980-0139-09

Parts List (XFAM-030Z, 033Z)

Item	Description	XFAM-030Z-CFV-081	XFAM-030Z-TFC-081	XFAM-033Z-CFV-081	XFAM-033Z-TFC-081
1	BASE-PLATE	922-0644-00	922-0644-00	922-0644-00	922-0644-00
2	BOX-ELECTRICAL	062-7053-00	062-7053-00	062-7053-00	062-7053-00
3	BRACKET:EXV	074-1207-01	074-1207-01	074-1207-01	074-1207-01
4	BRACKET:STABILIZER TOP	074-1205-00	074-1205-00	074-1205-00	074-1205-00
5	BRACKET-CONTROL MTG	074-1424-00	074-1424-00	074-1424-00	074-1424-00
6	BRACKET-COVER RIGHT	074-7284-00	074-7284-00	074-7284-00	074-7284-00
9	COVER-ELECTRICAL BOX	905-7230-00	905-7230-00	905-7230-00	905-7230-00
10	COVER-HANDLE	905-7193-00	905-7193-00	905-7193-00	905-7193-00
11	COVER-RIGHT	905-1331-00	905-1331-00	905-1331-00	905-1331-00
12	HAND-WIDE GRIP	905-1280-00	905-1280-00	905-1280-00	905-1280-00
13	COVER-TOP	905-1273-00	905-1273-00	905-1273-00	905-1273-00
14	DOOR ASSEMBLY	505-7099-00	505-7099-00	505-7099-00	505-7099-00
15	GUARD-COND COIL	924-0263-00	924-0263-00	924-0263-00	924-0263-00
16	GUARD-FAN	924-0264-00	924-0264-00	924-0264-00	924-0264-00
17	HAND-GRIP	905-7193-01	905-7193-01	905-7193-01	905-7193-01
18	PLATE-DIVIDER	903-1487-00	903-1487-00	903-1487-00	903-1487-00
19	PLATE-FRONT LEFT	905-7215-00	905-7215-00	905-7215-00	905-7215-00
20	VALVE-PLATE	903-1220-00	903-1220-00	903-1220-00	903-1220-00
21	BLADE	983-6931-00	983-6931-00	983-6931-00	983-6931-00
22	CONDENSER	066-0800-00	066-0800-00	066-0800-00	066-0800-00
24	FILTER-DRIER	913-7000-31	913-7000-31	913-7000-31	913-7000-31
26	HEATER-RECEIVER	918-0100-00	918-0100-00	918-0100-00	918-0100-00
27	HEATER-CRANKCASE	918-0043-00	918-0043-00	918-0043-00	918-0043-00
28	INDICATOR-MOISTURE	970-7003-06	970-7003-06	970-7003-06	970-7003-06
29	RECEIVER ASSEMBLY	577-0542-00	577-0542-00	577-0542-00	577-0542-00
32	Valve - Pressure Relief	910-0730-00	910-0730-00	910-0730-00	910-0730-00
33	VALVE-ACCESS	910-7062-00	910-7062-00	910-7062-00	910-7062-00
34	VALVE-CHECK	910-7003-01	910-7003-01	910-7003-01	910-7003-01
36	VALVE-EXV	910-0104-00	910-0104-00	910-0104-00	910-0104-00
38	VALVE-SERVICE (Receiver)	910-0142-02	910-0142-02	910-0142-02	910-0142-02
39	VALVE-SERVICE (Liquid)	910-7009-01	910-7009-01	910-7009-01	910-7009-01
40	VALVE-SERVICE (Suction)	910-0180-00	910-0180-00	910-0180-00	910-0180-00
41	WELD COMP	ZS21KAE-PFV-818	ZS21KAE-TF5-818	ZS26KAE-PFV-818	ZS26KAE-TF5-818
42	BREAKER-CURCUIT	971-7018-00	971-7018-00	971-7018-00	971-7018-00
46	CABLE-AMBIENT SENSOR	929-0304-00	929-0304-00	929-0304-00	929-0304-00
47	CABLE-COND TEMP SENSOR	929-0304-00	929-0304-00	929-0304-00	929-0304-00
48	CABLE-DISCH TEMP SENSOR	929-0304-00	929-0304-00	929-0304-00	929-0304-00
49	CABLE-TRANSDUCER	529-0114-08	529-0114-08	529-0114-08	529-0114-08
50	CABLE-WIRE HARNESS	529-0222-01	529-0222-01	529-0222-01	529-0222-01
51	CAPACITOR-FAN	914-0083-00	914-0083-00	914-0083-00	914-0083-00
52	CAPACITOR-RUNNING	914-0037-39		914-0037-39	
53	CAPACITOR-START	914-0036-03		914-0036-03	
54	COIL-EXV	923-0068-00	923-0068-00	923-0068-00	923-0068-00
55	CONTACTOR	912-1401-04	912-3040-02	912-1401-04	912-3040-02
56	CONTROLLER-ELECT. UNIT	943-0214-00	943-0214-00	943-0214-00	943-0214-00
57	CONTROL-PRESSURE	985-7031-06	985-7031-06	985-7031-06	985-7031-06
58	MOTOR-FAN	050-0316-01	050-0316-01	050-0316-01	050-0316-01
59	POWER CABLE-MOLDED PLUG	529-0060-04	529-0060-04	529-0060-04	529-0060-04
60	RELAY-DEFROST	940-0181-00	940-0181-00	940-0181-00	940-0181-00
61	RELAY-POTENTIAL	940-0001-79		940-0001-79	
62	TERMINAL BLOCK ASSEMBLY	980-0086-00	980-0086-01	980-0086-00	980-0086-01
63	TRANSDUCER - PRESSURE	039-0026-06	039-0026-06	039-0026-06	039-0026-06
64	TRANSFORMER CONTROL	037-0038-03	037-0038-03	037-0038-03	037-0038-03
65	CLAMP-CAPACITOR (Fan)	032-0743-00	032-0743-00	032-0743-00	032-0743-00
66	CLAMP-CAPACITOR (Run)	032-0359-01		032-0359-01	
67	CLAMP-CAPACITOR (Start)	032-0359-01		032-0359-01	
69	CLAMP-TUBE	032-7003-06	032-7003-06	032-7003-06	032-7003-06
70	CLIP-PIPE	032-0688-02	032-0688-02	032-0688-02	032-0688-02
71	CLIP-DIVIDER PLATE	032-0731-00	032-0731-00	032-0731-00	032-0731-00
72	HOLDER-SENSOR	032-0592-00	032-0592-00	032-0592-00	032-0592-00
73	BLOCK-TERMINAL - Black	980-0139-08	980-0139-08	980-0139-08	980-0139-08
74	BLOCK-TERMINAL - Red	980-0139-09	980-0139-09	980-0139-09	980-0139-09

Parts List (XFAM-037Z, 045Z)

Item	Description	XFAM-037Z-CFV-081	XFAM-037Z-TFC-081	XFAM-045Z-CFV-081	XFAM-045Z-TFC-081
1	BASE-PLATE	922-0644-00	922-0644-00	922-0644-00	922-0644-00
2	BOX-ELECTRICAL	062-7053-00	062-7053-00	062-7053-00	062-7053-00
3	BRACKET:EXV	074-1207-01	074-1207-01	074-1207-01	074-1207-01
4	BRACKET-STABILIZER TOP	074-1205-00	074-1205-00	074-1205-00	074-1205-00
5	BRACKET-CONTROL MTG	074-1424-00	074-1424-00	074-1425-00	074-1425-00
6	BRACKET-COVER RIGHT	074-7284-00	074-7284-00	074-7284-00	074-7284-00
9	COVER-ELECTRICAL BOX	905-7230-00	905-7230-00	905-7230-00	905-7230-00
10	COVER-HANDLE	905-7193-00	905-7193-00	905-7193-00	905-7193-00
11	COVER-RIGHT	905-1331-00	905-1331-00	905-1332-00	905-1332-00
12	HAND-WIDE GRIP	905-1280-00	905-1280-00	905-1280-00	905-1280-00
13	COVER-TOP	905-1273-00	905-1273-00	905-1273-00	905-1273-00
14	DOOR ASSEMBLY	505-7099-00	505-7099-00	505-7098-00	505-7098-00
15	GUARD-COND COIL	924-0263-00	924-0263-00	924-0262-00	924-0262-00
16	GUARD-FAN	924-0264-00	924-0264-00	924-0264-00	924-0264-00
17	HAND-GRIP	905-7193-01	905-7193-01	905-7193-01	905-7193-01
18	PLATE-DIVIDER	903-1487-00	903-1487-00	903-1576-00	903-1576-00
19	PLATE-FRONT LEFT	905-7215-00	905-7215-00	905-7214-00	905-7214-00
20	VALVE-PLATE	903-1220-00	903-1220-00	903-1220-00	903-1220-00
21	BLADE	983-6931-00	983-6931-00	983-6931-00	983-6931-00
22	CONDENSER	066-0800-00	066-0800-00	066-0388-00	066-0388-00
24	FILTER-DRIER	913-7000-31	913-7000-31	913-7000-31	913-7000-31
26	HEATER-RECEIVER	918-0100-00	918-0100-00	918-0100-00	918-0100-00
27	HEATER-CRANKCASE	918-0043-00	918-0043-00	918-0043-00	918-0043-00
28	INDICATOR-MOISTURE	970-7003-06	970-7003-06	970-7003-06	970-7003-06
29	RECEIVER ASSEMBLY	577-0542-00	577-0542-00	577-0542-01	577-0542-01
32	Valve - Pressure Relief	910-0730-00	910-0730-00	910-0730-00	910-0730-00
33	VALVE-ACCESS	910-7062-00	910-7062-00	910-7062-00	910-7062-00
34	VALVE-CHECK	910-7003-01	910-7003-01	910-7003-01	910-7003-01
36	VALVE-EXV	910-0104-00	910-0104-00	910-0104-00	910-0104-00
38	VALVE-SERVICE (Receiver)	910-0142-02	910-0142-02	910-0142-02	910-0142-02
39	VALVE-SERVICE (Liquid)	910-7009-01	910-7009-01	910-7009-01	910-7009-01
40	VALVE-SERVICE (Suction)	910-0180-00	910-0180-00	910-0180-00	910-0180-00
41	WELD COMP	ZS29KAE-PFV-818	ZS29KAE-TF5-818	ZS33KAE-PFV-818	ZS33KAE-TF5-818
42	BREAKER-CIRCUIT	971-7018-00	971-7018-00	971-7018-00	971-7018-00
46	CABLE-AMBIENT SENSOR	929-0304-00	929-0304-00	929-0304-00	929-0304-00
47	CABLE-COND TEMP SENSOR	929-0304-00	929-0304-00	929-0304-00	929-0304-00
48	CABLE-DISCH TEMP SENSOR	929-0304-00	929-0304-00	929-0304-00	929-0304-00
49	CABLE-TRANSDUCER	529-0114-08	529-0114-08	529-0114-08	529-0114-08
50	CABLE-WIRE HARNESS	529-0222-01	529-0222-01	529-0222-02	529-0222-02
51	CAPACITOR-FAN	914-0083-00	914-0083-00	914-0083-00	914-0083-00
52	CAPACITOR-RUNNING	914-0037-22		914-0037-38	
53	CAPACITOR-START	914-0036-03		914-0036-03	
54	COIL-EXV	923-0068-00	923-0068-00	923-0068-00	923-0068-00
55	CONTACTOR	912-1401-04	912-3040-02	912-1401-04	912-3040-02
56	CONTROLLER-ELECT. UNIT	943-0214-00	943-0214-00	943-0214-00	943-0214-00
57	CONTROL-PRESSURE	985-7031-06	985-7031-06	985-7031-06	985-7031-06
58	MOTOR-FAN	050-0316-01	050-0316-01	050-0316-01	050-0316-01
59	POWER CABLE-MOLDED PLUG	529-0060-04	529-0060-04	529-0060-25	529-0060-25
60	RELAY-DEFROST	940-0181-00	940-0181-00	940-0181-00	940-0181-00
61	RELAY-POTENTIAL	940-0001-79		940-0001-79	
62	TERMINAL BLOCK ASSEMBLY	980-0086-00	980-0086-01	980-0086-00	980-0086-01
63	TRANSDUCER - PRESSURE	039-0026-06	039-0026-06	039-0026-06	039-0026-06
64	TRANSFORMER CONTROL	037-0038-03	037-0038-03	037-0038-03	037-0038-03
65	CLAMP-CAPACITOR (Fan)	032-0743-00	032-0743-00	032-0743-00	032-0743-00
66	CLAMP-CAPACITOR (Run)	032-0359-01		032-0359-04	
67	CLAMP-CAPACITOR (Start)	032-0359-01		032-0359-04	
69	CLAMP-TUBE	032-7003-06	032-7003-06	032-7003-06	032-7003-06
70	CLIP-PIPE	032-0688-02	032-0688-02	032-0688-02	032-0688-02
71	CLIP-DIVIDER PLATE	032-0731-00	032-0731-00	032-0731-00	032-0731-00
72	HOLDER-SENSOR	032-0592-00	032-0592-00	032-0592-00	032-0592-00
73	BLOCK-TERMINAL - Black	980-0139-08	980-0139-08	980-0139-08	980-0139-08
74	BLOCK-TERMINAL - Red	980-0139-09	980-0139-09	980-0139-09	980-0139-09

Parts List (XFAM-050Z, 060Z)

Item	Description	XFAM-050Z-CFV-081	XFAM-050Z-TFC-081	XFAM-060Z-TFC-081
1	BASE-PLATE	922-0644-00	922-0644-00	922-0644-00
2	BOX-ELECTRICAL	062-7053-00	062-7053-00	062-7053-00
3	BRACKET:EXV	074-1207-01	074-1207-01	074-1207-01
4	BRACKET-STABILIZER TOP	074-1205-00	074-1205-00	074-1205-00
5	BRACKET-CONTROL MTG	074-1425-00	074-1425-00	074-1425-00
6	BRACKET-COVER RIGHT	074-7284-00	074-7284-00	074-7284-00
9	COVER-ELECTRICAL BOX	905-7230-00	905-7230-00	905-7230-00
10	COVER-HANDLE	905-7193-00	905-7193-00	905-7193-00
11	COVER-RIGHT	905-1332-00	905-1332-00	905-1332-00
12	HAND-WIDE GRIP	905-1280-00	905-1280-00	905-1280-00
13	COVER-TOP	905-1273-00	905-1273-00	905-1273-00
14	DOOR ASSEMBLY	505-7098-00	505-7098-00	505-7098-00
15	GUARD-COND COIL	924-0262-00	924-0262-00	924-0262-00
16	GUARD-FAN	924-0264-00	924-0264-00	924-0264-00
17	HAND-GRIP	905-7193-01	905-7193-01	905-7193-01
18	PLATE-DIVIDER	903-1576-00	903-1576-00	903-1576-00
19	PLATE-FRONT LEFT	905-7214-00	905-7214-00	905-7214-00
20	VALVE-PLATE	903-1220-00	903-1220-00	903-1220-00
21	BLADE	983-6931-00	983-6931-00	983-6931-00
22	CONDENSER	066-0387-00	066-0387-00	066-0393-00
24	FILTER-DRIER	913-7000-31	913-7000-31	913-7000-31
26	HEATER-RECEIVER	918-0100-00	918-0100-00	918-0100-00
27	HEATER-CRANKCASE	918-0043-00	918-0043-00	918-0043-00
28	INDICATOR-MOISTURE	970-7003-06	970-7003-06	970-7003-06
29	RECEIVER ASSEMBLY	577-0542-01	577-0542-01	577-0542-01
32	Valve - Pressure Relief	910-0730-00	910-0730-00	910-0730-00
33	VALVE-ACCESS	910-7062-00	910-7062-00	910-7062-00
34	VALVE-CHECK	910-7003-01	910-7003-01	910-7003-01
36	VALVE-EXV	910-0104-00	910-0104-00	910-0104-00
38	VALVE-SERVICE (Receiver)	910-0142-02	910-0142-02	910-0142-02
39	VALVE-SERVICE (Liquid)	910-7009-01	910-7009-01	910-7009-01
40	VALVE-SERVICE (Suction)	910-0180-00	910-0180-00	910-0180-00
41	WELD COMP	ZF15K4E-PFV-931	ZF15K4E-TF5-931	ZF18K4E-TF5-931
42	BREAKER-CIRCUIT	971-7018-00	971-7018-00	971-7018-00
46	CABLE-AMBIENT SENSOR	929-0304-00	929-0304-00	929-0304-00
47	CABLE-COND TEMP SENSOR	929-0304-00	929-0304-00	929-0304-00
48	CABLE-DISCH TEMP SENSOR	929-0304-00	929-0304-00	929-0304-00
49	CABLE-TRANSDUCER	529-0114-08	529-0114-08	529-0114-08
50	CABLE-WIRE HARNESS	529-0222-02	529-0222-02	529-0222-02
51	CAPACITOR-FAN	914-0083-00	914-0083-00	914-0083-00
52	CAPACITOR-RUNNING	914-0037-38		
53	CAPACITOR-START	914-0006-10		
54	COIL-EXV	923-0068-00	923-0068-00	923-0068-00
55	CONTACTOR	912-1401-04	912-3040-02	912-3040-02
56	CONTROLLER-ELECT. UNIT	943-0214-00	943-0214-00	943-0214-00
57	CONTROL-PRESSURE	985-7031-06	985-7031-06	985-7031-06
58	MOTOR-FAN	050-0316-01	050-0316-01	050-0316-01
59	POWER CABLE-MOLDED PLUG			
60	RELAY-DEFROST	940-0181-00	940-0181-00	940-0181-00
61	RELAY-POTENTIAL	940-0001-79		
62	TERMINAL BLOCK ASSEMBLY	980-0086-00	980-0086-01	980-0086-01
63	TRANSDUCER - PRESSURE	039-0026-06	039-0026-06	039-0026-06
64	TRANSFORMER CONTROL	037-0038-03	037-0038-03	037-0038-03
65	CLAMP-CAPACITOR (Fan)	032-0743-00	032-0743-00	032-0743-00
66	CLAMP-CAPACITOR (Run)	032-0359-02		
67	CLAMP-CAPACITOR (Start)	032-0359-04		
69	CLAMP-TUBE	032-7003-06	032-7003-06	032-7003-06
70	CLIP-PIPE	032-0688-02	032-0688-02	032-0688-02
71	CLIP-DIVIDER PLATE	032-0731-00	032-0731-00	032-0731-00
72	HOLDER-SENSOR	032-0592-00	032-0592-00	032-0592-00
73	BLOCK-TERMINAL - Black	980-0139-08	980-0139-08	980-0139-08
74	BLOCK-TERMINAL - Red	980-0139-09	980-0139-09	980-0139-09

Parts List (XFAP-015Z, 017Z)

Item	Description	XFAP-015Z-CFV-081	XFAP-015Z-TFC-081	XFAP-017Z-CFV-081	XFAP-017Z-TFC-081
1	BASE-PLATE	922-0644-00	922-0644-00	922-0644-00	922-0644-00
2	BOX-ELECTRICAL	062-7053-00	062-7053-00	062-7053-00	062-7053-00
3	BRACKET:EXV	074-1207-01	074-1207-01	074-1207-01	074-1207-01
4	BRACKET:STABILIZER TOP	074-1205-00	074-1205-00	074-1205-00	074-1205-00
5	BRACKET-CONTROL MTG	074-1424-00	074-1424-00	074-1424-00	074-1424-00
6	BRACKET-COVER RIGHT	074-7284-00	074-7284-00	074-7284-00	074-7284-00
8	BRACKET-MOUNTING	074-7282-00	074-7282-00	074-7282-00	074-7282-00
9	COVER-ELECTRICAL BOX	905-7230-00	905-7230-00	905-7230-00	905-7230-00
10	COVER-HANDLE	905-7193-00	905-7193-00	905-7193-00	905-7193-00
11	COVER-RIGHT	905-1331-00	905-1331-00	905-1331-00	905-1331-00
12	HAND-WIDE GRIP	905-1280-00	905-1280-00	905-1280-00	905-1280-00
13	COVER-TOP	905-1273-00	905-1273-00	905-1273-00	905-1273-00
14	DOOR ASSEMBLY	505-7099-00	505-7099-00	505-7099-00	505-7099-00
15	GUARD-COND COIL	924-0263-00	924-0263-00	924-0263-00	924-0263-00
16	GUARD-FAN	924-0264-00	924-0264-00	924-0264-00	924-0264-00
17	HAND-GRIP	905-7193-01	905-7193-01	905-7193-01	905-7193-01
18	PLATE-DIVIDER	903-1487-00	903-1487-00	903-1487-00	903-1487-00
19	PLATE-FRONT LEFT	905-7215-00	905-7215-00	905-7215-00	905-7215-00
20	VALVE-PLATE	903-1220-00	903-1220-00	903-1220-00	903-1220-00
21	BLADE	983-6931-00	983-6931-00	983-6931-00	983-6931-00
22	CONDENSER	066-0389-00	066-0389-00	066-0389-00	066-0389-00
24	FILTER-DRIER	913-7000-31	913-7000-31	913-7000-31	913-7000-31
26	HEATER-RECEIVER	918-0100-00	918-0100-00	918-0100-00	918-0100-00
27	HEATER-CRANKCASE	918-0052-05	918-0052-05	918-0052-05	918-0052-05
28	INDICATOR-MOISTURE	970-7003-06	970-7003-06	970-7003-06	970-7003-06
29	RECEIVER ASSEMBLY	577-0542-00	577-0542-00	577-0542-00	577-0542-00
30	TANK-ACCUMULATOR	977-0037-01	977-0037-01	977-0037-01	977-0037-01
32	Valve - Pressure Relief	910-0730-00	910-0730-00	910-0730-00	910-0730-00
33	VALVE-ACCESS	910-7062-00	910-7062-00	910-7062-00	910-7062-00
34	VALVE-CHECK	910-7003-01	910-7003-01	910-7003-01	910-7003-01
36	VALVE-EXV	910-0104-00	910-0104-00	910-0104-00	910-0104-00
38	VALVE-SERVICE (Receiver)	910-0142-02	910-0142-02	910-0142-02	910-0142-02
39	VALVE-SERVICE (Liquid)	910-7009-01	910-7009-01	910-7009-01	910-7009-01
40	VALVE-SERVICE (Suction)	910-0180-00	910-0180-00	910-0180-00	910-0180-00
41	WELD COMP	ZS09KAE-PFV-818	ZS09KAE-TF5-818	ZS11KAE-PFV-818	ZS11KAE-TF5-818
42	BREAKER-CURCUIT	971-7018-00	971-7018-00	971-7018-00	971-7018-00
46	CABLE-AMBIENT SENSOR	929-0304-00	929-0304-00	929-0304-00	929-0304-00
47	CABLE-COND TEMP SENSOR	929-0304-00	929-0304-00	929-0304-00	929-0304-00
48	CABLE-DISCH TEMP SENSOR	929-0304-00	929-0304-00	929-0304-00	929-0304-00
49	CABLE-TRANSDUCER	529-0114-08	529-0114-08	529-0114-08	529-0114-08
50	CABLE-WIRE HARNESS	529-0222-01	529-0222-01	529-0222-01	529-0222-01
51	CAPACITOR-FAN	914-0083-00	914-0083-00	914-0083-00	914-0083-00
52	CAPACITOR-RUNNING	914-0037-10		914-0037-10	
53	CAPACITOR-START	914-0036-03		914-0036-03	
54	COIL-EXV	923-0068-00	923-0068-00	923-0068-00	923-0068-00
55	CONTACTOR	912-1401-04	912-3040-02	912-1401-04	912-3040-02
56	CONTROLLER-ELECT. UNIT	943-0214-00	943-0214-00	943-0214-00	943-0214-00
57	CONTROL-PRESSURE	985-7031-06	985-7031-06	985-7031-06	985-7031-06
58	MOTOR-FAN	050-0316-01	050-0316-01	050-0316-01	050-0316-01
59	POWER CABLE-MOLDED PLUG	529-0060-04	529-0060-04	529-0060-04	529-0060-04
60	RELAY-DEFROST	940-0181-00	940-0181-00	940-0181-00	940-0181-00
61	RELAY-POTENTIAL	940-0001-79		940-0001-79	
62	TERMINAL BLOCK ASSEMBLY	980-0086-00	980-0086-01	980-0086-00	980-0086-01
63	TRANSDUCER - PRESSURE	039-0026-06	039-0026-06	039-0026-06	039-0026-06
64	TRANSFORMER CONTROL	037-0038-03	037-0038-03	037-0038-03	037-0038-03
65	CLAMP-CAPACITOR (Fan)	032-0743-00	032-0743-00	032-0743-00	032-0743-00
66	CLAMP-CAPACITOR (Run)	032-0359-00		032-0359-00	
67	CLAMP-CAPACITOR (Start)	032-0359-01		032-0359-01	
69	CLAMP-TUBE	032-7003-06	032-7003-06	032-7003-06	032-7003-06
70	CLIP-PIPE	032-0688-02	032-0688-02	032-0688-02	032-0688-02
71	CLIP-DIVIDER PLATE	032-0731-00	032-0731-00	032-0731-00	032-0731-00
72	HOLDER-SENSOR	032-0592-00	032-0592-00	032-0592-00	032-0592-00
73	BLOCK-TERMINAL - Black	980-0139-08	980-0139-08	980-0139-08	980-0139-08
74	BLOCK-TERMINAL - Red	980-0139-09	980-0139-09	980-0139-09	980-0139-09

Parts List (XFAP-022Z, 030Z)

Item	Description	XFAP-022Z-CFV-081	XFAP-022Z-TFC-081	XFAP-030Z-CFV-081	XFAP-030Z-TFC-081
1	BASE-PLATE	922-0644-00	922-0644-00	922-0644-00	922-0644-00
2	BOX-ELECTRICAL	062-7053-00	062-7053-00	062-7053-00	062-7053-00
3	BRACKET:EXV	074-1207-01	074-1207-01	074-1207-01	074-1207-01
4	BRACKET:STABILIZER TOP	074-1205-00	074-1205-00	074-1205-00	074-1205-00
5	BRACKET-CONTROL MTG	074-1424-00	074-1424-00	074-1424-00	074-1424-00
6	BRACKET-COVER RIGHT	074-7284-00	074-7284-00	074-7284-00	074-7284-00
8	BRACKET-MOUNTING	074-7282-00	074-7282-00	074-7282-00	074-7282-00
9	COVER-ELECTRICAL BOX	905-7230-00	905-7230-00	905-7230-00	905-7230-00
10	COVER-HANDLE	905-7193-00	905-7193-00	905-7193-00	905-7193-00
11	COVER-RIGHT	905-1331-00	905-1331-00	905-1331-00	905-1331-00
12	HAND-WIDE GRIP	905-1280-00	905-1280-00	905-1280-00	905-1280-00
13	COVER-TOP	905-1273-00	905-1273-00	905-1273-00	905-1273-00
14	DOOR ASSEMBLY	505-7099-00	505-7099-00	505-7099-00	505-7099-00
15	GUARD-COND COIL	924-0263-00	924-0263-00	924-0263-00	924-0263-00
16	GUARD-FAN	924-0264-00	924-0264-00	924-0264-00	924-0264-00
17	HAND-GRIP	905-7193-01	905-7193-01	905-7193-01	905-7193-01
18	PLATE-DIVIDER	903-1487-00	903-1487-00	903-1487-00	903-1487-00
19	PLATE-FRONT LEFT	905-7215-00	905-7215-00	905-7215-00	905-7215-00
20	VALVE-PLATE	903-1220-00	903-1220-00	903-1220-00	903-1220-00
21	BLADE	983-6931-00	983-6931-00	983-6931-00	983-6931-00
22	CONDENSER	066-0389-00	066-0389-00	066-0800-00	066-0800-00
24	FILTER-DRIER	913-7000-31	913-7000-31	913-7000-31	913-7000-31
26	HEATER-RECEIVER	918-0100-00	918-0100-00	918-0100-00	918-0100-00
27	HEATER-CRANKCASE	918-0052-05	918-0052-05	918-0043-00	918-0043-00
28	INDICATOR-MOISTURE	970-7003-06	970-7003-06	970-7003-06	970-7003-06
29	RECEIVER ASSEMBLY	577-0542-00	577-0542-00	577-0542-00	577-0542-00
30	TANK-ACCUMULATOR	977-0037-01	977-0037-01	977-0037-01	977-0037-01
32	Valve - Pressure Relief	910-0730-00	910-0730-00	910-0730-00	910-0730-00
33	VALVE-ACCESS	910-7062-00	910-7062-00	910-7062-00	910-7062-00
34	VALVE-CHECK	910-7003-01	910-7003-01	910-7003-01	910-7003-01
36	VALVE-EXV	910-0104-00	910-0104-00	910-0104-00	910-0104-00
38	VALVE-SERVICE (Receiver)	910-0142-02	910-0142-02	910-0142-02	910-0142-02
39	VALVE-SERVICE (Liquid)	910-7009-01	910-7009-01	910-7009-01	910-7009-01
40	VALVE-SERVICE (Suction)	910-0180-00	910-0180-00	910-0180-00	910-0180-00
41	WELD COMP	ZS15KAE-PFV-818	ZS15KAE-TF5-818	ZS21KAE-PFV-818	ZS21KAE-TF5-818
42	BREAKER-CURCUIT	971-7018-00	971-7018-00	971-7018-00	971-7018-00
46	CABLE-AMBIENT SENSOR	929-0304-00	929-0304-00	929-0304-00	929-0304-00
47	CABLE-COND TEMP SENSOR	929-0304-00	929-0304-00	929-0304-00	929-0304-00
48	CABLE-DISCH TEMP SENSOR	929-0304-00	929-0304-00	929-0304-00	929-0304-00
49	CABLE-TRANSDUCER	529-0114-08	529-0114-08	529-0114-08	529-0114-08
50	CABLE-WIRE HARNESS	529-0222-01	529-0222-01	529-0222-01	529-0222-01
51	CAPACITOR-FAN	914-0083-00	914-0083-00	914-0083-00	914-0083-00
52	CAPACITOR-RUNNING	914-0037-12		914-0037-39	
53	CAPACITOR-START	914-0036-03		914-0036-03	
54	COIL-EXV	923-0068-00	923-0068-00	923-0068-00	923-0068-00
55	CONTACTOR	912-1401-04	912-3040-02	912-1401-04	912-3040-02
56	CONTROLLER-ELECT. UNIT	943-0214-00	943-0214-00	943-0214-00	943-0214-00
57	CONTROL-PRESSURE	985-7031-06	985-7031-06	985-7031-06	985-7031-06
58	MOTOR-FAN	050-0316-01	050-0316-01	050-0316-01	050-0316-01
59	POWER CABLE-MOLDED PLUG	529-0060-04	529-0060-04	529-0060-04	529-0060-04
60	RELAY-DEFROST	940-0181-00	940-0181-00	940-0181-00	940-0181-00
61	RELAY-POTENTIAL	940-0001-79		940-0001-79	
62	TERMINAL BLOCK ASSEMBLY	980-0086-00	980-0086-01	980-0086-00	980-0086-01
63	TRANSDUCER - PRESSURE	039-0026-06	039-0026-06	039-0026-06	039-0026-06
64	TRANSFORMER CONTROL	037-0038-03	037-0038-03	037-0038-03	037-0038-03
65	CLAMP-CAPACITOR (Fan)	032-0743-00	032-0743-00	032-0743-00	032-0743-00
66	CLAMP-CAPACITOR (Run)	032-0359-00		032-0359-01	
67	CLAMP-CAPACITOR (Start)	032-0359-01		032-0359-01	
69	CLAMP-TUBE	032-7003-06	032-7003-06	032-7003-06	032-7003-06
70	CLIP-PIPE	032-0688-02	032-0688-02	032-0688-02	032-0688-02
71	CLIP-DIVIDER PLATE	032-0731-00	032-0731-00	032-0731-00	032-0731-00
72	HOLDER-SENSOR	032-0592-00	032-0592-00	032-0592-00	032-0592-00
73	BLOCK-TERMINAL - Black	980-0139-08	980-0139-08	980-0139-08	980-0139-08
74	BLOCK-TERMINAL - Red	980-0139-09	980-0139-09	980-0139-09	980-0139-09

Parts List (XFAP-045Z, 050Z)

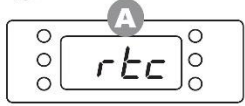
Item	Description	XFAP-045Z-CFV-081	XFAP-045Z-TFC-081	XFAP-050Z-CFV-081	XFAP-050Z-TFC-081
1	BASE-PLATE	922-0644-00	922-0644-00	922-0644-00	922-0644-00
2	BOX-ELECTRICAL	062-7053-00	062-7053-00	062-7053-00	062-7053-00
3	BRACKET:EXV	074-1207-01	074-1207-01	074-1207-01	074-1207-01
4	BRACKET:STABILIZER TOP	074-1205-00	074-1205-00	074-1205-00	074-1205-00
5	BRACKET-CONTROL MTG	074-1425-00	074-1425-00	074-1425-00	074-1425-00
6	BRACKET-COVER RIGHT	074-7284-00	074-7284-00	074-7284-00	074-7284-00
8	BRACKET-MOUNTING	074-7282-00	074-7282-00	074-7282-00	074-7282-00
9	COVER-ELECTRICAL BOX	905-7230-00	905-7230-00	905-7230-00	905-7230-00
10	COVER-HANDLE	905-7193-00	905-7193-00	905-7193-00	905-7193-00
11	COVER-RIGHT	905-1332-00	905-1332-00	905-1332-00	905-1332-00
12	HAND-WIDE GRIP	905-1280-00	905-1280-00	905-1280-00	905-1280-00
13	COVER-TOP	905-1273-00	905-1273-00	905-1273-00	905-1273-00
14	DOOR ASSEMBLY	505-7098-00	505-7098-00	505-7098-00	505-7098-00
15	GUARD-COND COIL	924-0262-00	924-0262-00	924-0262-00	924-0262-00
16	GUARD-FAN	924-0264-00	924-0264-00	924-0264-00	924-0264-00
17	HAND-GRIP	905-7193-01	905-7193-01	905-7193-01	905-7193-01
18	PLATE-DIVIDER	903-1576-00	903-1576-00	903-1576-00	903-1576-00
19	PLATE-FRONT LEFT	905-7214-00	905-7214-00	905-7214-00	905-7214-00
20	VALVE-PLATE	903-1220-00	903-1220-00	903-1220-00	903-1220-00
21	BLADE	983-6931-00	983-6931-00	983-6931-00	983-6931-00
22	CONDENSER	066-0388-00	066-0388-00	066-0387-00	066-0387-00
24	FILTER-DRIER	913-7000-31	913-7000-31	913-7000-31	913-7000-31
26	HEATER-RECEIVER	918-0100-00	918-0100-00	918-0100-00	918-0100-00
27	HEATER-CRANKCASE	918-0043-00	918-0043-00	918-0043-00	918-0043-00
28	INDICATOR-MOISTURE	970-7003-06	970-7003-06	970-7003-06	970-7003-06
29	RECEIVER ASSEMBLY	577-0542-01	577-0542-01	577-0542-01	577-0542-01
30	TANK-ACCUMULATOR	977-0036-01	977-0036-01	977-0036-01	977-0036-01
32	Valve - Pressure Relief	910-0730-00	910-0730-00	910-0730-00	910-0730-00
33	VALVE-ACCESS	910-7062-00	910-7062-00	910-7062-00	910-7062-00
34	VALVE-CHECK	910-7003-01	910-7003-01	910-7003-01	910-7003-01
36	VALVE-EXV	910-0104-00	910-0104-00	910-0104-00	910-0104-00
38	VALVE-SERVICE (Receiver)	910-0142-02	910-0142-02	910-0142-02	910-0142-02
39	VALVE-SERVICE (Liquid)	910-7009-01	910-7009-01	910-7009-01	910-7009-01
40	VALVE-SERVICE (Suction)	910-0180-00	910-0180-00	910-0180-00	910-0180-00
41	WELD COMP	ZS33KAE-PFV-818	ZS33KAE-TF5-818	ZF15K4E-PFV-931	ZF15K4E-TF5-931
42	BREAKER-CURCUIT	971-7018-00	971-7018-00	971-7018-00	971-7018-00
46	CABLE-AMBIENT SENSOR	929-0304-00	929-0304-00	929-0304-00	929-0304-00
47	CABLE-COND TEMP SENSOR	929-0304-00	929-0304-00	929-0304-00	929-0304-00
48	CABLE-DISCH TEMP SENSOR	929-0304-00	929-0304-00	929-0304-00	929-0304-00
49	CABLE-TRANSDUCER	529-0114-08	529-0114-08	529-0114-08	529-0114-08
50	CABLE-WIRE HARNESS	529-0222-02	529-0222-02	529-0222-02	529-0222-02
51	CAPACITOR-FAN	914-0083-00	914-0083-00	914-0083-00	914-0083-00
52	CAPACITOR-RUNNING	914-0037-38		914-0037-38	
53	CAPACITOR-START	914-0036-03		914-0006-10	
54	COIL-EXV	923-0068-00	923-0068-00	923-0068-00	923-0068-00
55	CONTACTOR	912-1401-04	912-3040-02	912-1401-04	912-3040-02
56	CONTROLLER-ELECT. UNIT	943-0214-00	943-0214-00	943-0214-00	943-0214-00
57	CONTROL-PRESSURE	985-7031-06	985-7031-06	985-7031-06	985-7031-06
58	MOTOR-FAN	050-0316-01	050-0316-01	050-0316-01	050-0316-01
59	POWER CABLE-MOLDED PLUG	529-0060-25	529-0060-25		
60	RELAY-DEFROST	940-0181-00	940-0181-00	940-0181-00	940-0181-00
61	RELAY-POTENTIAL	940-0001-79		940-0001-79	
62	TERMINAL BLOCK ASSEMBLY	980-0086-00	980-0086-01	980-0086-00	980-0086-01
63	TRANSDUCER - PRESSURE	039-0026-06	039-0026-06	039-0026-06	039-0026-06
64	TRANSFORMER CONTROL	037-0038-03	037-0038-03	037-0038-03	037-0038-03
65	CLAMP-CAPACITOR (Fan)	032-0743-00	032-0743-00	032-0743-00	032-0743-00
66	CLAMP-CAPACITOR (Run)	032-0359-04		032-0359-02	
67	CLAMP-CAPACITOR (Start)	032-0359-04		032-0359-04	
69	CLAMP-TUBE	032-7003-06	032-7003-06	032-7003-06	032-7003-06
70	CLIP-PIPE	032-0688-02	032-0688-02	032-0688-02	032-0688-02
71	CLIP-DIVIDER PLATE	032-0731-00	032-0731-00	032-0731-00	032-0731-00
72	HOLDER-SENSOR	032-0592-00	032-0592-00	032-0592-00	032-0592-00
73	BLOCK-TERMINAL - Black	980-0139-08	980-0139-08	980-0139-08	980-0139-08
74	BLOCK-TERMINAL - Red	980-0139-09	980-0139-09	980-0139-09	980-0139-09

Parts List (XFAP-060Z)

Item	Description	XFAP-060Z-TFC-081
1	BASE-PLATE	922-0644-00
2	BOX-ELECTRICAL	062-7053-00
3	BRACKET:EXV	074-1207-01
4	BRACKET:STABILIZER TOP	074-1205-00
5	BRACKET-CONTROL MTG	074-1425-00
6	BRACKET-COVER RIGHT	074-7284-00
8	BRACKET-MOUNTING	074-7282-00
9	COVER-ELECTRICAL BOX	905-7230-00
10	COVER-HANDLE	905-7193-00
11	COVER-RIGHT	905-1332-00
12	HAND-WIDE GRIP	905-1280-00
13	COVER-TOP	905-1273-00
14	DOOR ASSEMBLY	505-7098-00
15	GUARD-COND COIL	924-0262-00
16	GUARD-FAN	924-0264-00
17	HAND-GRIP	905-7193-01
18	PLATE-DIVIDER	903-1576-00
19	PLATE-FRONT LEFT	905-7214-00
20	VALVE-PLATE	903-1220-00
21	BLADE	983-6931-00
22	CONDENSER	066-0393-00
24	FILTER-DRIER	913-7000-31
26	HEATER-RECEIVER	918-0100-00
27	HEATER-CRANKCASE	918-0043-00
28	INDICATOR-MOISTURE	970-7003-06
29	RECEIVER ASSEMBLY	577-0542-01
30	TANK-ACCUMULATOR	977-0036-01
32	Valve - Pressure Relief	910-0730-00
33	VALVE-ACCESS	910-7062-00
34	VALVE-CHECK	910-7003-01
36	VALVE-EXV	910-0104-00
38	VALVE-SERVICE (Receiver)	910-0142-02
39	VALVE-SERVICE (Liquid)	910-7009-01
40	VALVE-SERVICE (Suction)	910-0180-00
41	WELD COMP	ZF18K4E-TF5-931
42	BREAKER-CURCUIT	971-7018-00
46	CABLE-AMBIENT SENSOR	929-0304-00
47	CABLE-COND TEMP SENSOR	929-0304-00
48	CABLE-DISCH TEMP SENSOR	929-0304-00
49	CABLE-TRANSDUCER	529-0114-08
50	CABLE-WIRE HARNESS	529-0222-02
51	CAPACITOR-FAN	914-0083-00
52	CAPACITOR-RUNNING	
53	CAPACITOR-START	
54	COIL-EXV	923-0068-00
55	CONTACTOR	912-3040-02
56	CONTROLLER-ELECT. UNIT	943-0214-00
57	CONTROL-PRESSURE	985-7031-06
58	MOTOR-FAN	050-0316-01
59	POWER CABLE-MOLDED PLUG	
60	RELAY-DEFROST	940-0181-00
61	RELAY-POTENTIAL	
62	TERMINAL BLOCK ASSEMBLY	980-0086-01
63	TRANSDUCER - PRESSURE	039-0026-06
64	TRANSFORMER CONTROL	037-0038-03
65	CLAMP-CAPACITOR (Fan)	032-0743-00
66	CLAMP-CAPACITOR (Run)	
67	CLAMP-CAPACITOR (Start)	
69	CLAMP-TUBE	032-7003-06
70	CLIP-PIPE	032-0688-02
71	CLIP-DIVIDER PLATE	032-0731-00
72	HOLDER-SENSOR	032-0592-00
73	BLOCK-TERMINAL - Black	980-0139-08
74	BLOCK-TERMINAL - Red	980-0139-09

Appendix C: Quick Setup Guide

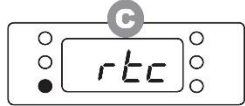
1 Set the clock



The unit will flash *rtc* the first time power is applied or if the clock has lost its setting.



Press and hold ∇ + SET until *F* flashes.



Press SET to select the *rtc* menu.



Use SET and Δ ∇ buttons to select and adjust clock parameters.

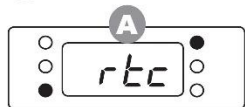
Clock Parameters

Par.	Description	Value Range
<i>Min</i>	Minute	0-59
<i>HR</i>	Hour	0-23
<i>ndY</i>	Day	1-31
<i>Mon</i>	Month	1-12
<i>YEr</i>	Year	0-99

Scan to watch a video on how to set the clock



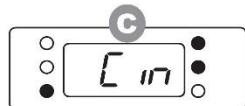
2 Set pressure controls



Press SET and Δ to exit the *rtc* menu. If SET and Δ are held, the control will exit program mode. Use ∇ and SET to return to program mode.



Use the Δ or ∇ buttons to find the *PAR* menu, then press SET to select.



Use SET and Δ ∇ buttons to select and adjust pressure parameters.

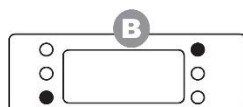
Pressure Parameters

Par.	Description	Value Range
<i>Lin</i>	Cut In	10-135 (psi)
<i>LoU</i>	Cut Out	0-30 (psi)
<i>rEF</i>	Refrigerant	22, 134, 404, (4)07A, (4)07C, 507 (may vary by model)

3 Set defrost parameters and schedule



From the *PAR* menu, use SET and Δ ∇ buttons to select and adjust defrost parameters.



Press and hold SET and Δ to exit program mode.

Defrost Parameters

Par.	Description	Value Range
<i>idf</i>	Interval between defrost	0-120 (hours)
<i>ndF</i>	Max duration	0-255 (minutes)
<i>EdF</i>	Defrost mode	<i>nU</i> (off), <i>in</i> (interval), <i>rtc</i> (clock)
<i>Ld1</i>	1st start time	<i>nU</i> (not used), 0-23:50
<i>Ld2</i>	2nd start time	
<i>Ld3</i>	3rd start time	
<i>Ld4</i>	4th start time	
<i>Ld5</i>	5th start time	
<i>Ld6</i>	6th start time	

Scan to watch a video on how to set pressure controls



IMPORTANT BEFORE PROGRAMMING – DETERMINE DESIRED DEFROST MODE

1. Press and Hold SET + DOWN for 3 seconds
2. Using arrows scroll to RTC and select by pressing SET
3. Press UP or DOWN and select EdF
4. Press SET and select interval mode (*in*), real time clock mode (*rtc*), or not used (*nU*)
5. Press SET to confirm section then proceed to step 6 if (*in*) selected, or step 8 if (*rtc*) selected

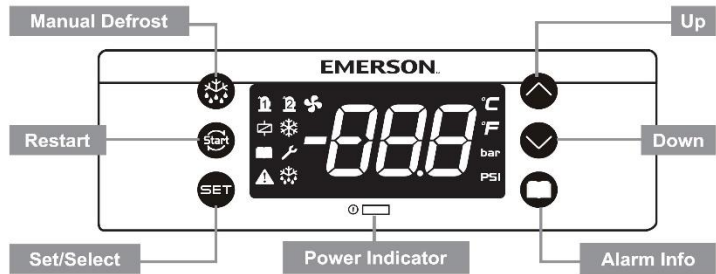
Interval Mode (*in*) - Interval between defrost cycles
RTC Mode (*rtc*) - Real time clock based defrost schedule
Not Used Mode (*nU*) - Defrost not used

IF USING INTERVAL DEFROST MODE (*in*)

6. Scroll through options and select (*idf*) by pressing SET. Scroll to desired defrost interval (hours) and confirm by pressing SET.
7. Scroll through options and select (*ndF*) by pressing SET. Scroll to desired defrost duration (minutes) and confirm by pressing SET.

IF USING TIME OF DAY DEFROST MODE (*rtc*)

8. Scroll to *Ld1* and confirm by pressing SET. Set desired defrost time (0.1 = 12:10AM, 13.5 = 1:50PM) and confirm by pressing SET
9. Scroll to *Ld2-Ld6* and repeat step 8 for each desired time of day. Set all unneeded options to (*nU*)



Navigation

Enter program mode* ∇ + SET 3 seconds (*F* flash)

Cycle through options/adjust values Δ ∇

Select function/store function SET

Exit program mode Δ + SET

*Program mode will terminate after 60 seconds of inactivity.

View Values and Set Points

From main screen, press and release	Δ
Cycle through parameters	Δ ∇
Select value	SET
Go to next parameter	SET
Exit menu	Δ + SET

*Program mode will terminate after 60 seconds of inactivity.

Values and Set Points

Par.	Description	Par.	Description
<i>P1P</i>	Suction Pressure	<i>oPP</i>	EXV %
<i>P2t</i>	Cond. Temp.	<i>L1S</i>	NA
<i>P2P</i>	NA	<i>Rao</i>	Fan Speed %
<i>P3t</i>	DLT	<i>d5o</i>	NA
<i>P4t</i>	Vapor Inlet	<i>Lt</i>	NA
<i>P5t</i>	Vapor Outlet	<i>Ht</i>	NA
<i>P6t</i>	Ambient Temp	<i>Hr</i>	RTC Menu
<i>P7t</i>	Liquid Line Temp	<i>5td</i>	Dynamic Fan Set Point
<i>SH</i>	NA		

Code	Description	Code	Description
01	AI1	27	Over Voltage
02	AI2	28	Compressor Build-in Protector Trip
03	AI3	29	Power Frequency (manual)
04	AI4	40	High Pressure Switch
05	AI5	41	Lower Pressure Switch
06	AI6	43	Low Pressure
07	AI7	44	Discharge Line Temperature
09	Current Sensor 1	46	High Condenser Temperature
10	Current Sensor 2	47	EXV Full Open in EVI
11	Voltage Sensor 1	48	Refrigerant Shortage Error in EVI
12	Voltage Sensor 2	49	Pump Down Alarm
13	Voltage Sensor 3	50	High Side Flood Back
20	Lost Phase	80	RTC warning, date no correct
21	Phase Sequence	81	RTF warning, communication with clock
22	Phase Imbalance	82	Probe Configuration
23	Over Current	83	Di Configuration
24	Open Run circuit	84	Compressor Configuration
25	Open Start circuit	85	Injection Probe Configuration
26	Under Voltage	86	EEPROM R/W (manual)

E-Error L=Lockout

Scan to watch a video on how to set the defrost mode

