

Sales office in Hefei

Contact: Mr.Yin
Tel: +86-551-68114688
MP: +86-15955162755
E-mail: cyin@lontium.com

Add: BldgB3, Intelligent equipment technology Park,
SuSong Rd, Economic&Technology Development Zone,
Hefei, Anhui, 230601, P.R.China

Distributor in Taiwan

Audix Corp.

Contact: Mr.Wang, Ms.Xie
Tel: +886-2-8797-6688-1095/1005
E-mail: paul_wang@audix.com , angela_hsieh@audix.com
Add: NO. 8, Lane 120, Sec 1, Nei Hu Rd, Taipei,Taiwan(R.O.C.)
Taipei City 221, Taiwan(R.O.C.)

Awesometek Co., Ltd.

Contact: Mr Teng, Ms.Huang
Tel: +886-2-7728-3566-801/802
E-mail: mic.t@awesometek.com.tw,
doris.h@awesometek.com.tw

Add: 17F-11, No.79, Sec. 1, Xintai 5th Rd., Xizhi Dist., New
Taipei City 221, Taiwan(R.O.C.)

Distributor in Japan

Asmec Inc

Contact: Terumasa Arima
Tel: +81-45-910-0566
E-mail: arima@asmecc.co.jp
Add: 22-4, Sakudara, Aoba-ku Yokohama, Kanagawa 227-
0061 Japan

Distributor in Europe

Semiconn UG

Contact: Mr.Krepil
Tel: +49-89-547885-25
E-mail: a.krepil@semiconn.de
Add: Kriemhildenstr. 20 D-80639 München , Germany

Sales office in Shenzhen

Contact: Mr.Li
Tel: +86-755-86969650/86967566
MP: +86-13530895370
E-mail: gfli@lontium.com

Contact: Mr.He

Tel: +86-755-86969650/86967566
MP: +86-18928465373
E-mail: wbhe@lontium.com

Contact: Mr.Peng

Tel: +86-755-86969650/86967566
MP: +86-13480923625
E-mail: xbpeng@lontium.com

Add: Unit 01 & 02, 20th floor, Building 19,
Zhong Hai Xin Innovation Park,
11 Ganli 2nd Road, Jihua, Longgang District,
Shenzhen, 518112, P. R. China(available on May 25th)

Distributor in Korea

Valuenova Co., Ltd.

Contact: Wook J Park
Tel: +82-2-706-8641, Fax: 82-2-6008-8461
E-mail: wjpark@valuenova.co.kr
Add: 9F Samgu Bldg., 40, Cheongpa-ro, Yongsan-gu, Seoul,
Korea (Zip Code : 04373)

Gentech Inc

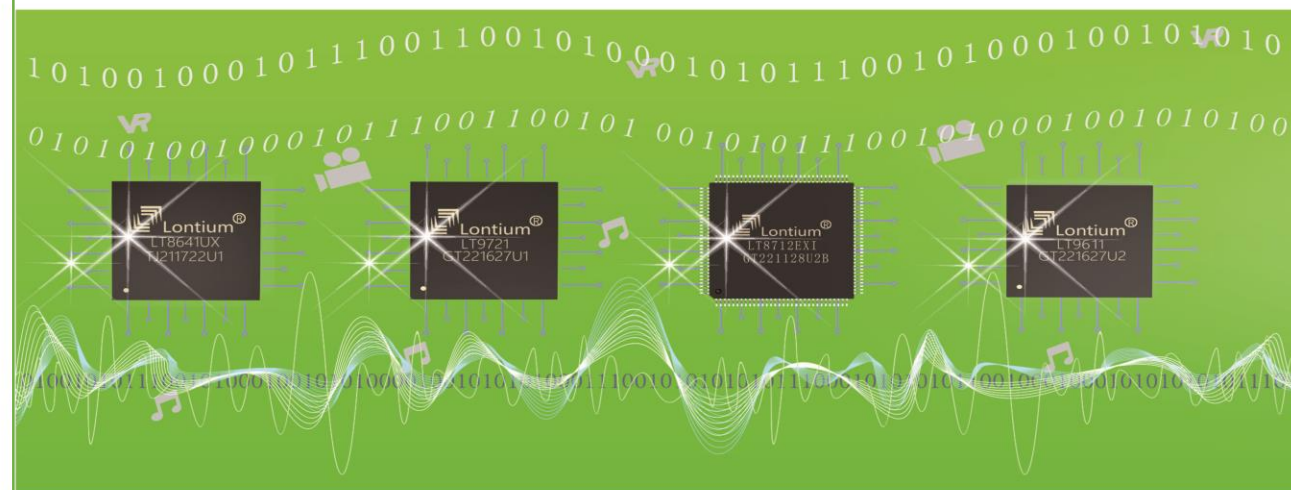
Contact: Steven Lee / Roy Choi
Tel: +82-31-8005-7200, Fax: +82-31-8005-7300
E-Mail: steven.lee@gentechinc.co.kr , roy@gentechinc.co.kr
Add: Dongbaek Family Plaza-I, 9F, 21-11, Dongbaek5-ro,
Giheung-gu Youngin-si, Gyeonggi-do, Korea (Zip Code : 17006)

Neartech

Contact: Mr. Patrick(Juhoon) Cheon
Tel: +82-10-8815-6797
E-mail: pcheon@neartech.co.kr
Add: B605-1, Indeokwon IT Valley, 40 Imi-ro(Poil-dong),
Uiwang-si, Gyeonggi-do, Korea (Zip Code : 16006)

We produce mixed-signal products for a better digital world.

PRODUCT CATALOG



LONTIUM SEMICONDUCTOR CORPORATION
2018.01

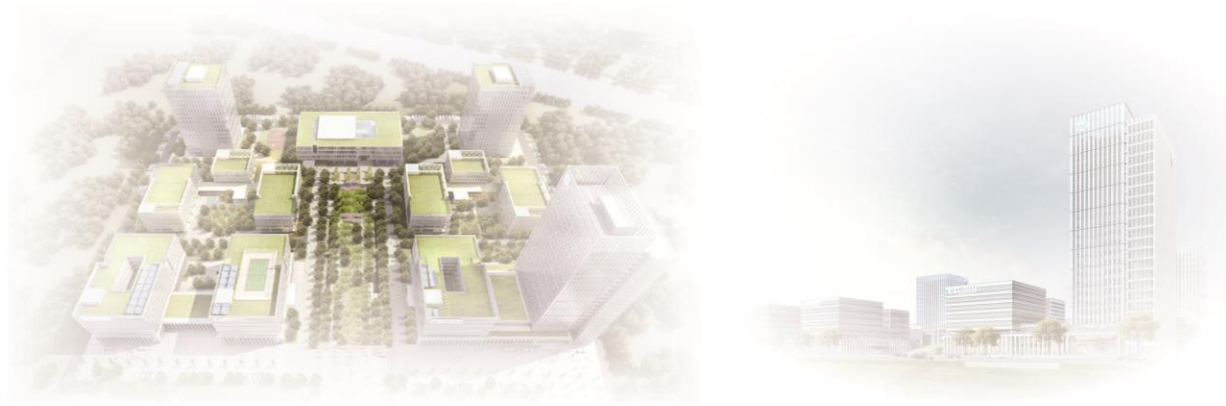
COMPANY PROFILE

Lontium Semiconductor Corporation is a fabless design house established in 2006 with design centers, sales & support offices in the United States and China.

Lontium focuses on developing and marketing high-speed, mixed-signal interface chips, IPs, and SoCs targeted for high-definition multi-media applications. Based on ClearEdge technology, we strive to provide the best products and services for our customers worldwide. Our mission is to become a global high-speed, low-power mixed-signal chip and IP solution provider.

Our products include HDMI V1.3/V1.4/2.0 chipset, DisplayPort 1.2 chipset, USB 2.0, USB3.1 Type C chipset, MIPI chipset, LVDS chipset, VGA and LCD controller serving applications from PCs, notebooks, smartphones, TVs, monitors, automobiles to VR and accessories. Our high-speed interface IPs and a wide range mixed-signal IPs on leading edge manufacturing technology serve various SoC vendors worldwide.

As a member of HDMI, HDCP, VESA, MIPI and USB organization, Lontium works closely with industry leaders on technologies and standards, constantly invest on new technology and products to meet the ever increasing demand of digital media applications. We make better mixed signal products for a better digital world, it's happening now.



LONTIUM Product Catalog 2018

www.lontiumsemi.com

We Are Adopter of



LONTIUM Product Catalog 2018

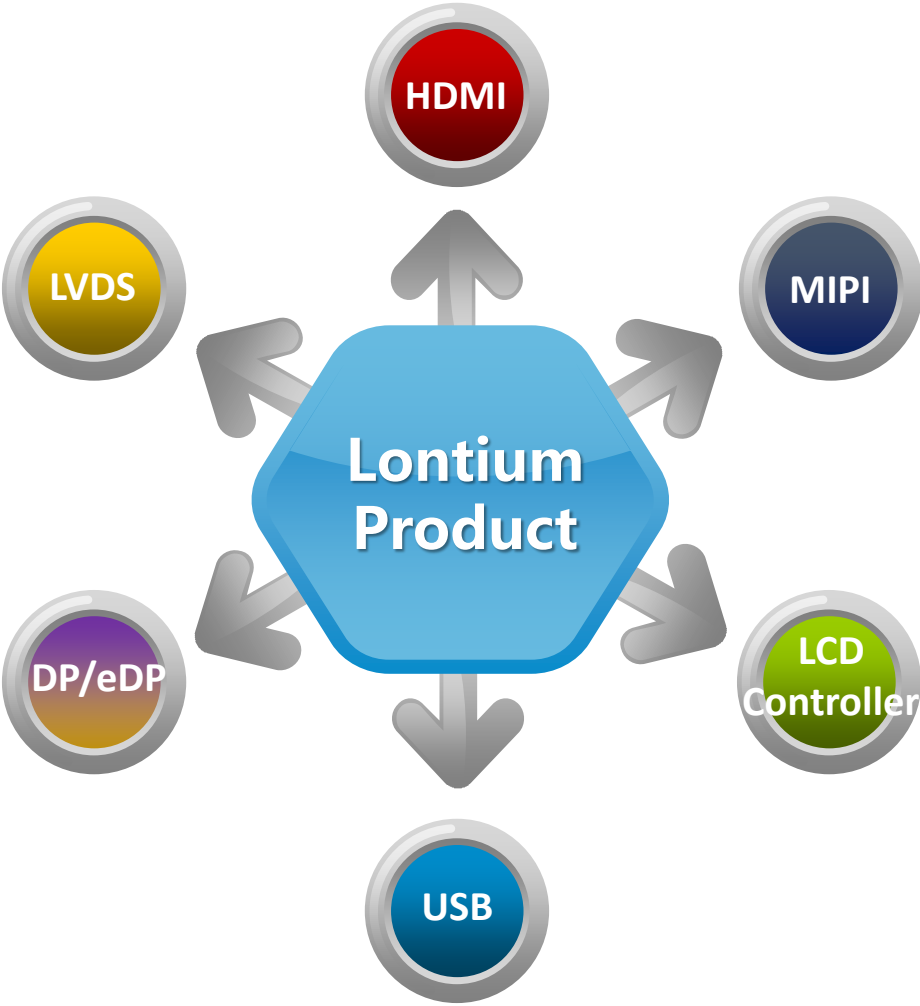
A horizontal blue banner with a glowing circuit board pattern. The pattern consists of various lines, nodes, and squares, some of which are highlighted with a bright cyan glow. The text is overlaid on the left side of this banner.

SELECTION OF OUR PRODUCTS

WE PRODUCE MIXED-SIGNAL PRODUCTS FOR A BETTER DIGITAL WORLD

www.lontiumsemi.com

Product Overview



- **ClearEdge™** High-Speed interface key technology IP
- High-resolution Embedded display interface
- High-Speed Signal Receiver/Transmitter
- High-Speed Signal Bridge Chipsets
- HDMI Extender/Splitter/Switch/Matrix
- Type-C/DP/MiPi/USB Extender

Product Overview

Product Categories

ClearEdge™

HDMI

Transmitter
Receiver
Switch
Splitter
Repeater
Matrix/Crosspoint
Converter

DP/eDP

Transmitter
Receiver
Switch/Splitter
Repeater
Converter

MIPI/LVDS

Transmitter
Repeater
Level Shifter
Converter

USB/Type-C

Transmitter
Receiver
Switch/Splitter
Repeater
Converter

LCD Controller

Scaler
Frame Rate Converter
Video Stream Rotator
& Converter

HDMI Transmitter

Part Number	Package	Description	Pin to Pin
LT9611UX	QFN-100	HDMI 2.0 transmitter (2-Port MIPI CSI/DSI with input switch)	
LT9611UXC	QFN-64	HDMI 2.0 transmitter (2-Port MIPI CSI/DSI)	
LT2611UX	QFN-100	HDMI 2.0 transmitter (4-Port LVDS)	
LT2611UXC	QFN-64	HDMI 2.0 transmitter (2-Port LVDS)	
LT9611	QFN-64	HDMI 1.4 transmitter (2-Port MIPI CSI/DSI)	
LT8618SXA	LQFP-80	HDMI 1.4 transmitter (TTL(RGB/YCbCr/BT656/BT1120)), improved performance	LT8618EXA
LT8618SXB	QFN-64	HDMI 1.4 transmitter (TTL(RGB/YCbCr/BT656/BT1120)), improved performance	LT8618EXB
LT8618EXA	LQFP-80	HDMI 1.4 transmitter (TTL(RGB/YCbCr/BT656/BT1120))	LT8618SXA
LT8618EXB	QFN-64	HDMI 1.4 transmitter (TTL(RGB/YCbCr/BT656/BT1120))	LT8618SXB
LT8618LP	LQFP-80	HDMI 1.3 transmitter (TTL(RGB/YCbCr/BT656/BT1120)), low power	
LT8618M	QFN-64	HDMI 1.3 transmitter (TTL(RGB/YCbCr/BT656/BT1120))	

HDMI Receiver

Part Number	Package	Description	Pin to Pin
LT6211UX	QFN-128	HDMI 2.0 Receiver(4-Port LVDS)	LT6211
LT6211UXC	QFN-64	HDMI 2.0 Receiver(2-Port LVDS)	LT6211C
LT6911UX	QFN-128	HDMI 2.0 Receiver(4-Port MIPI CSI/DSI)	LT6911
LT6911UXC	QFN-64	HDMI 2.0 Receiver(2-Port MIPI CSI/DSI)	LT6911C
LT6211C	QFN-64	HDMI 1.4 Receiver(2-Port LVDS)	LT6211UXC
LT6211B	BGA-144	HDMI 1.4 Receiver(4-Port LVDS)	
LT6211	QFN-128	HDMI 1.4 Receiver(4-Port LVDS)	LT6211UX
LT6911C	QFN-64	HDMI 1.4 Receiver(2-Port MIPI DSI/CSI)	LT6911UXC
LT6911B	BGA-144	HDMI 1.4 Receiver(4-Port MIPI DSI/CSI)	
LT6911	QFN-128	HDMI 1.4 Receiver(4-Port MIPI DSI/CSI)	LT6911UX
LT8619C	QFN-76	HDMI 1.4 Receiver(TTL(RGB/BT656/BT1120 / 2-Port LVDS)), no scaler	LT8619B
LT8619B	QFN-76	HDMI 1.4 Receiver(TTL / 2-Port LVDS) with scaler, integrated MCU	LT8619C
LT8819EX	QFN-64	HDMI 1.4 Receiver(BT656/BT1120)	

HDMI Switch

Part Number	Package	Description	Pin to Pin
LT8631UX	QFN-64	3-in 1-out HDMI 2.0 analog switch	
LT8631SX	QFN-64	3-in 1-out HDMI 1.4 analog switch	
LT8641UX	BGA-144 QFN-128	4-in 1-out HDMI 2.0 switch	
LT8641SXE	TQFP-100	4-in 1-out HDMI 1.4 switch with HDCP engine and digital audio output, jitter cleaning & signal repeating	LT8641SX
LT8641SX	TQFP-100	4-in 1-out HDMI 1.3 switch with HDCP engine and digital audio output	LT8641SXE

HDMI Splitter

Part Number	Package	Description	Pin to Pin
LT86102UX	TQFP-100	1-in 2-out HDMI 2.0 splitter	
LT86102SXE	LQFP-80	1-in 2-out HDMI 1.4 splitter with HDCP engine, jitter cleaning & signal repeating	LT86102SX
LT86102SX	LQFP-80	1-in 2-out HDMI 1.4 splitter with HDCP engine	LT86102SXE
LT86104UX	BGA-144 QFN-128	1-in 4-out HDMI 2.0 splitter	
LT86104SXE	LQFP-128	1-in 4-out HDMI 1.4 splitter with HDCP engine, jitter cleaning & signal repeating	LT86104SX LT86104NX
LT86104SX	LQFP-128	1-in 4-out HDMI 1.4 splitter with HDCP engine	LT86104SXE LT86104NX
LT86104NX	LQFP-128	1-in 4-out HDMI 1.4 Splitter	LT86104SXE LT86104SX

HDMI Repeater/Matrix&Cross-point

Part Number	Package	Description	Pin to Pin
LT86121TX	QFN-76	HDMI2.0 repeater with DSC Encoder	
LT86121RX	QFN-76	HDMI2.0 repeater with DSC Decoder	
LT86101X	QFN-40	HDMI 2.0 re-driver	
LT86101UXE	QFN-64	HDMI 2.0 repeater	
LT8621SXE-M	QFN-76	2-in 1-out HDMI 1.4 switch with HDCP engine and digital audio output, integrated MCU, jitter cleaning & signal repeating	
LT86101UX	QFN-48	HDMI 1.4 repeater, improved performance	LT86101SX
LT86101SX	QFN-48	HDMI 1.3 repeater	LT86101UX

Part Number	Package	Description
LT8644	TQFP-100	Analog cross-point switch

HDMI Converter

Part Number	Package	Description	Pin to Pin
LT8612SX	LQFP-80	HDMI 1.4 to HDMI 1.4 and VGA, improved performance	LT8612EX
LT8612X-M	QFN-76	HDMI 1.4 to HDMI 1.4 and VGA, integrated MCU	
LT8612EX	LQFP-80	HDMI 1.4 to HDMI 1.4 and VGA	LT8612SX
LT8522X	QFN-64	VGA to HDMI 1.4	
LT8522EX	TQFP-100	HDMI 1.4 & VGA to HDMI 1.4 & VGA, matrix switch	
LT8511EX	QFN-64	HDMI 1.4 to VGA	

DP/eDP Converter/Repeater

Part Number	Package	Description
LT8611SX	QFN-40	DP Repeater & HDMI/DVI Level Shifter
LT8611SXD	QFN-32	DP Repeater & HDMI/DVI Level Shifter
LT8711	QFN-64	Dual mode DP-VGA converter, compliant with HDMI 1.4 spec, support audio output
LT87101	QFN-40	DP/eDP re-driver, up to 5.4Gb/s
LT87101DC	QFN-40	DP/eDP to Type-C Converter

MIPI CSI/DSI / LVDS Transmitter

Part Number	Package	Description
LT7211D	QFN-64	Type-C/DP/eDP to 2-Port LVDS with Audio
LT7211B	BGA-144	Type-C/DP/eDP to 4-Port LVDS with Audio
LT7211	QFN-128	Type-C/DP/eDP to 4-Port LVDS, support 3D with Audio and PD Controller
LT7911D	QFN-64	Type-C/DP/eDP to 2-Port MIPI CSI/DSI with Audio
LT7911B	BGA-144	Type-C/DP/eDP to 4-Port MIPI CSI/DSI with Audio
LT7911	QFN-128	Type-C/DP/eDP to 4 Port MIPI CSI/DSI, support 3D with Audio & PD Controller
LT8918L	QFN-64/BGA-81	2-Port LVDS to MIPI DSI/CSI-2 Bridge
LT8918	QFN-64/BGA-81	RGB to MIPI DSI/CSI-2

MIPI/LVDS Repeater/Level Shifter/Converter



Part Number	Package	Description
LT89101	QFN-64/BGA-81	MIPI CSI/DSI, LVDS repeater
LT89101R	BGA-144/QFN128	MIPI/2-Port LVDS/TTL repeater , 90 degree rotation

Part Number	Package	Description
LT89101L	QFN-64	MIPI-to-LVDS Level Shifter

Part Number	Package	Description	Pin to Pin
LT8911EXB	QFN-48	1-Port MIPI CSI/DSI to eDP	LT8911B
LT8911EX	QFN-64	2-Port LVDS to eDP	LT8911
LT8912B	LQFP-64	1-Port MIPI DSI to 1-Port LVDS & HDMI with scaler	
LT8912	LQFP80	1-Port MIPI DSI to 1-Port LVDS & HDMI with scaler	
LT2911	QFN-64	2-Port LVDS/TTL to MIPI	
LT9211	QFN-64	MIPI to 2-Port LVDS/TTL	

Type-C/DP Transmitter

Part Number	Package	Description
LT8718	QFN-88	TTL to Type-C(DP/eDP) with USB3.1 Switch
LT9721	QFN-64	Single-port MIPI DSI/HDMI to Type-C(DP/eDP) with USB3.1 Switch
LT9721EX	QFN-64	HDMI2.0 to Type-C(DP1.2/eDP) with USB3.1 switch
LT9711	QFN-76	2-Port MIPI DSI/CSI-2 to Type-C (DP1.2/eDP) with USB3.1 switch

Type-C/DP Converter



Part Number	Package	Description	Pin to Pin
LT8711V	QFN-48	Type-C/DP to VGA with audio, support PD Controller/Swift Charge/Billboard with 2* CC	
LT8711HE	QFN-64	Type-C/DP to HDMI2.0, support PD Controller/Swift Charge/Billboard with 2*CC	
LT8711H-CE	QFN-64	Type-C/DP to HDMI2.0, support PD Controller/Swift Charge	LT8711H-C LT8711EH-C
LT8711EH-C	QFN-64	Type-C/DP to HDMI2.0, support PD Controller, Compliant with HDCP	LT8711H-CE LT8711H-C
LT8711H-C	QFN-64	Type-C/DP to HDMI1.4, support PD Controller, Compliant with HDCP	LT8711H-CE LT8711EH-C
LT8711UX	QFN-88	Type-C/DP to HDMI2.0, support PD Controller with 2*CC, Compliant with HDCP	
LT8712EXI	QFN-128	Type-C/DP to HDMI2.0*2&VGA&Audio, support MST,PD Controller with 2*CC, Compliant with HDCP	
LT8712SX	TBD	Type-C/DP to HDMI2.0 + DP1.2/eDP +VGA	
LT8712X	QFN-76	Type-C/DP to HDMI2.0 and VGA Converter with Audio	
LT8712	LQFP-128	Type-C/DP to HDMI1.4*2&VGA&Audio, PD Controller, Compliant with HDCP	
LT87101CD	QFN-40	Type-C to DP/eDP Converter	
LT8400C	QFN-40	e-Marker Chip for USB Type-C Cable (EMCA)	

USB Switch/Extender

Part Number	Package	Description
LT8312	QFN-20	USB2.0 extender with switch
LT8311XE-Q	QFN-16	USB2.0 extender
LT8311EX	TSSOP-20	USB 1.1/2.0 repeater, improved performance
LT84101D	QFN-40	Dual channel USB2.0/3.1 re-driver, Dual USB3.1 Port, One USB2.0 Port

LCD Controller

Part Number	Package	Description
LT8668EX	LQFP-128	LCD Controller,support HDMI1.4/DP++ and VGA input, quad-channel LVDS output, resolution up to 4K2K/30Hz or 1080P/120Hz, support IIS audio in and IIS/SPDIF audio out.
LT2911R	QFN-128 BGA-144	2-Port LVDS/TTL to MIPI with 90 degree rotation
LT9211R	QFN-128 BGA-144	MIPI to 2-Port LVDS/TTL with 90 degree rotation

LT9611 HDMI1.4 Transmitter(2-Port MIPI CSI/DSI)



Features :

- **MIPI CSI/DSI Receiver**
 - Compliant with DCS 1.02, D-PHY 1.2, DSI 1.2, CSI-2 1.0
 - 1/2 configurable port
 - 80Mb/s~2.0Gb/s per data lane
 - support RGB888/RGB666/RGB666L/RGB565/YUV Format
- **HDMI1.4 Transmitter**
 - Compliant with HDMI1.4
 - support HDCP1.4
- **Miscellaneous**
 - 1.8V/3.3V Power Supply
 - DCS support
 - Support up to 8-channel Audio Input
 - Packaged in 7.5mmx7.5mm QFN64



Applications:

- Mobile systems
- Cellular handsets
- Digital video cameras
- Digital still cameras
- Personal media players
- Gaming
- Camera systems

LT9611UX HDMI2.0 Transmitter (2-Port MIPI CSI/DSI with input switch)



Features :

•MIPI CSI/DSI Receiver

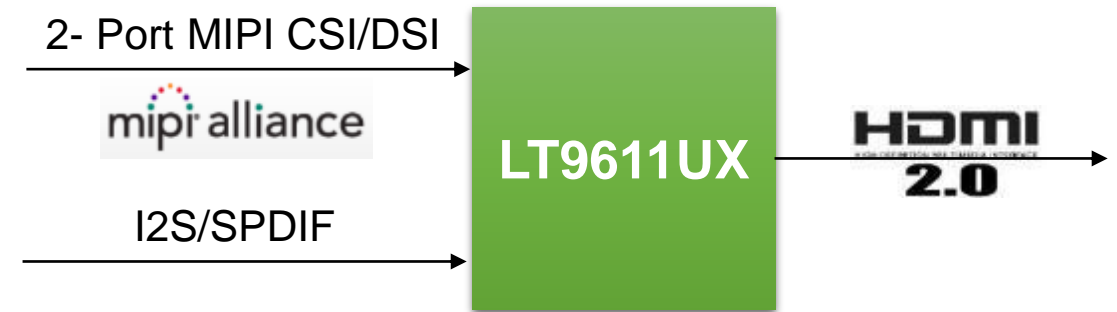
- Compliant with D-PHY 1.2, DSI 1.3, CSI-2 1.3
- Integrated DSC1.2 decoder
- 4 physical ports grouped into 2 dual-port receivers, only one receiver activated at a time (2-to-1 switching internally)
- 1/2 configurable ports per dual-port receiver
- 1 clock lane and 1/2/3/4 configurable data lanes per port
- 80Mbps~2Gbps per data lane
- Skew calibration

•HDMI2.0 Transmitter

- Compliant with HDMI2.0b, HDMI1.4 and DVI1.0
- Compliant with HDCP2.2 and HDCP1.4
- Data rate up to 6Gbps
- Support 4k@60Hz
- 3D support

•Audio Input

- Support SPDIF and 8-channel I2S audio input



Applications:

- Mobile systems
- Cellular handsets
- Digital video cameras
- Digital still cameras
- Personal media players
- Gaming
- Camera systems

LT9611UXC HDMI2.0 Transmitter (2-Port MIPI CSI/DSI)



Features :

•MIPI CSI/DSI Receiver

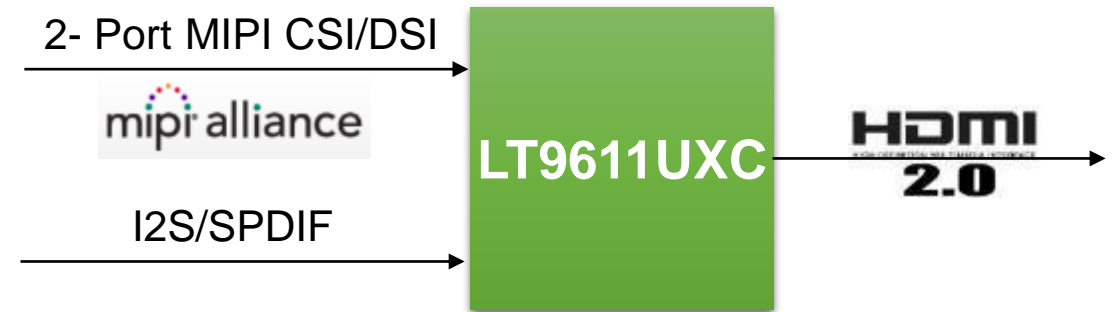
- Compliant with D-PHY 1.2, DSI 1.3, CSI-2 1.3
- Integrated DSC1.2 decoder
- 1/2 configurable ports
- 1 clock lane and 1/2/3/4 configurable data lanes per port
- 80Mbps~2Gbps per data lane
- Skew calibration

•HDMI2.0 Transmitter

- Compliant with HDMI2.0b, HDMI1.4 and DVI1.0
- Compliant with HDCP2.2 and HDCP1.4
- Data rate up to 6Gbps
- Support 4k@60Hz
- 3D support

•Audio Input

- Support SPDIF and 2-channel I2S audio input



Applications:

- Mobile systems
- Cellular handsets
- Digital video cameras
- Digital still cameras
- Personal media players
- Gaming
- Camera systems

LT2611UX HDMI2.0 Transmitter (4-Port LVDS)

Features :

•LVDS Receiver

- Compatible with VESA and JEIDA standard
- 1/2/4 configurable ports
- 1 clock lane and 3/4 configurable data lanes per port
- 1.2Gbps per data lane
- DeSSC capable: +/-5%@30~80kHz
- 6-bit and 8-bit color depth

•HDMI2.0 Transmitter

- Compliant with HDMI2.0b, HDMI1.4 and DVI1.0
- Compliant with HDCP2.2 and HDCP1.4
- Data rate up to 6Gbps
- Support 4k@60Hz
- 3D support

•Audio Input

- Support SPDIF and 8-channel I2S audio input



Applications:

- Mobile systems
- Cellular handsets
- Digital video cameras
- Digital still cameras
- Personal media players
- Gaming
- Camera systems

LT2611UXC HDMI2.0 Transmitter (2-Port LVDS)

Features :

•LVDS Receiver

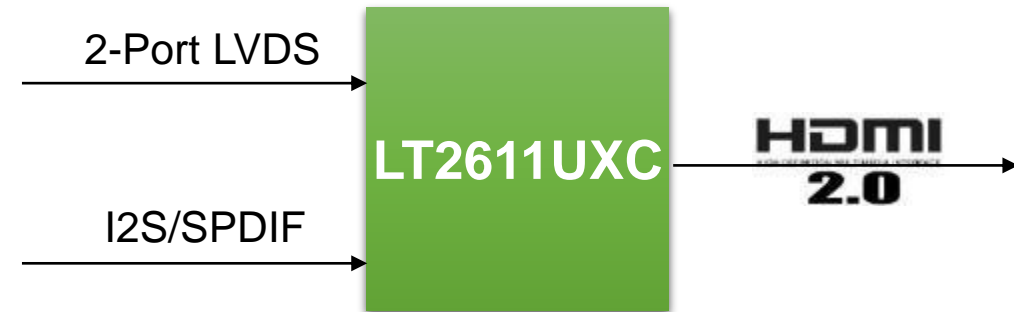
- Compatible with VESA and JEIDA standard
- 1/2 configurable ports
- 1 clock lane and 3/4 configurable data lanes per port
- 1.2Gbps per data lane
- DeSSC capable: +/-5%@30~80kHz
- 6-bit and 8-bit color depth

•HDMI2.0 Transmitter

- Compliant with HDMI2.0b, HDMI1.4 and DVI1.0
- Compliant with HDCP2.2 and HDCP1.4
- Data rate up to 3Gbps
- Support 4k@30Hz
- 3D support

•Audio Input

- Support SPDIF and 2-channel I2S audio input



Applications:

- Mobile systems
- Cellular handsets
- Digital video cameras
- Digital still cameras
- Personal media players
- Gaming
- Camera systems

LT8618SXA/B HDMI1.4 Transmitter(TTL)

Features :

Fully compatible with LT8618 and LT8618EXA/B

•TTL Input

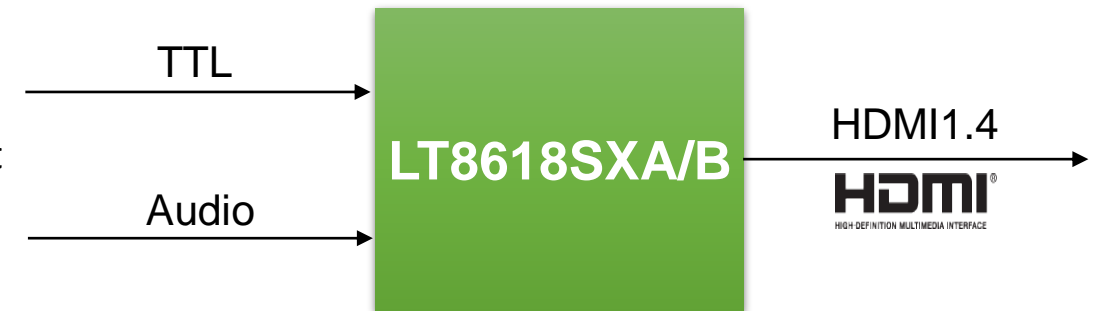
- Support 24-bit RGB, YUV and BT656/BT601/BT1120 Input
- Support both SDR and DDR Data Sampling
- Support both 1.8V and 3.3V Input Voltage Level
- Support up to 148.5MHz DDR or 297MHz SDR Clock Input

•HDMI1.4 Transmitter

- Compliant with HDMI1.4
- support HDCP1.4

•Miscellaneous

- 1.8V/3.3V Power Supply
- Support up to 8-channel I2S/SPDIF Input
- Packaged in 9mmx9mm QFN64 /12mmx12mm QFP80



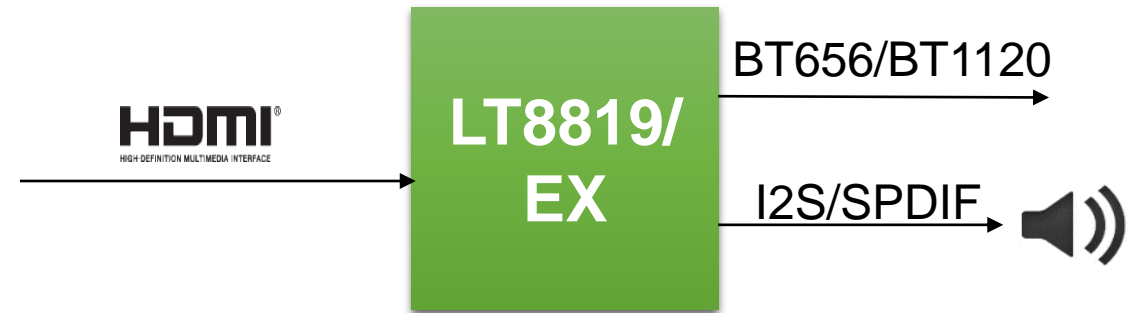
Applications:

- Car Video Recorder
- HD Sources
- PTV Box
- DVD, BD

LT8819/EX HDMI Receiver(BT656/BT1120)

Features :

- HDMI to Digital BT656/BT1120 outputs
- Compliant with HDMI1.4
- Support HDCP function
- LT8819 support BT656 output formats: 480P and 576P
- LT8819EX support BT656/BT1120 output resolution up to 1080P
- BT656 output support 8-channel I2S/SPDIF output
- BT1120 output support 2-channel I2S/SPDIF output



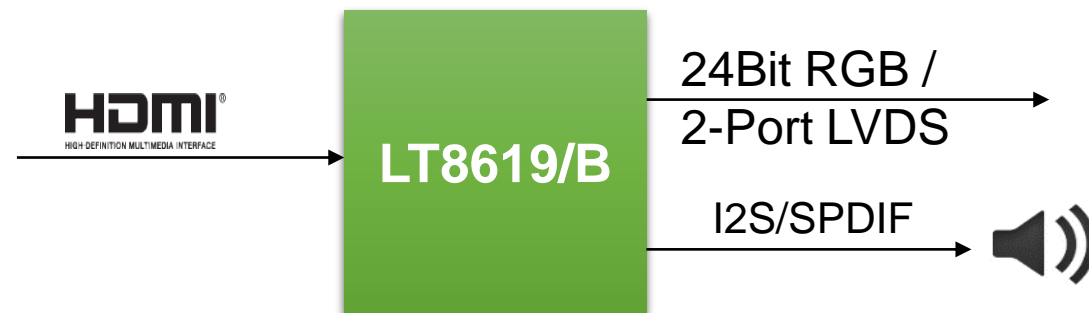
Applications:

- Car Entertainment
- Mobile Receiver Devices
- Video Wall Controller
- Matrix

LT8619/B HDMI1.4 Full Receiver with Scaler

Features :

- Support HDMI1.4 input format
- Support HDCP function
- LT8619 output digital RGB 888,RGB666,RGB565 up to 4K resolution
- LT8619B output 2-Port LVDS or digital RGB 888,RGB666,RGB565 up to 4K resolution
- OSD and Scaler
- LT8619 support 8-channel I2S/SPDIF output
- LT8619B support 2-channel I2S/SPDIF output



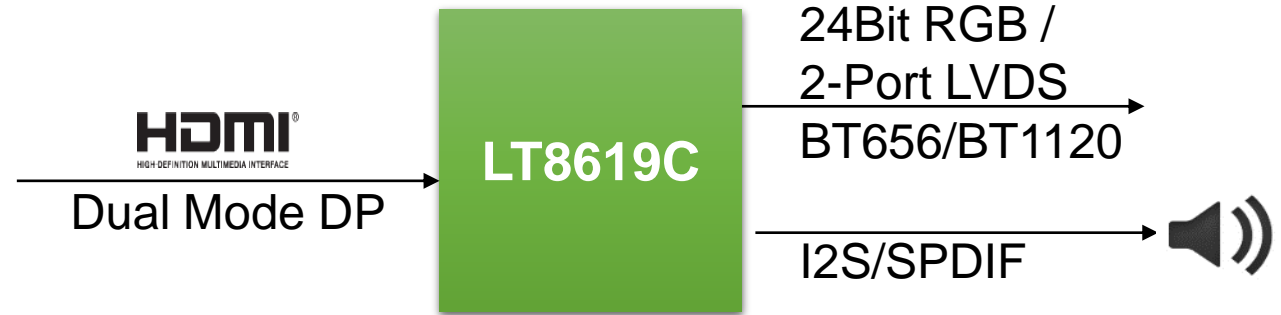
Applications:

- Car Entertainment
- TV, Monitor
- Pico Projector
- Smart Projector

LT8619C HDMI1.4/Dual Mode DP Receiver(TTL)

Features :

- Support HDMI1.4/Dual Mode DP input
- Support HDCP function
- Support resolution up to 4K
- Support RGB/YCbCr output
- Support Single/Dual Port LVDS output
- Support 8-channel I2S/SPDIF output
- Support BT656/BT1120 output
- Support DDR output



Applications:

- Car Entertainment
- TV
- Monitor
- Pico Projector
- Smart Projector

LT6211/B/C HDMI1.4 Receiver (4/2-Port LVDS)

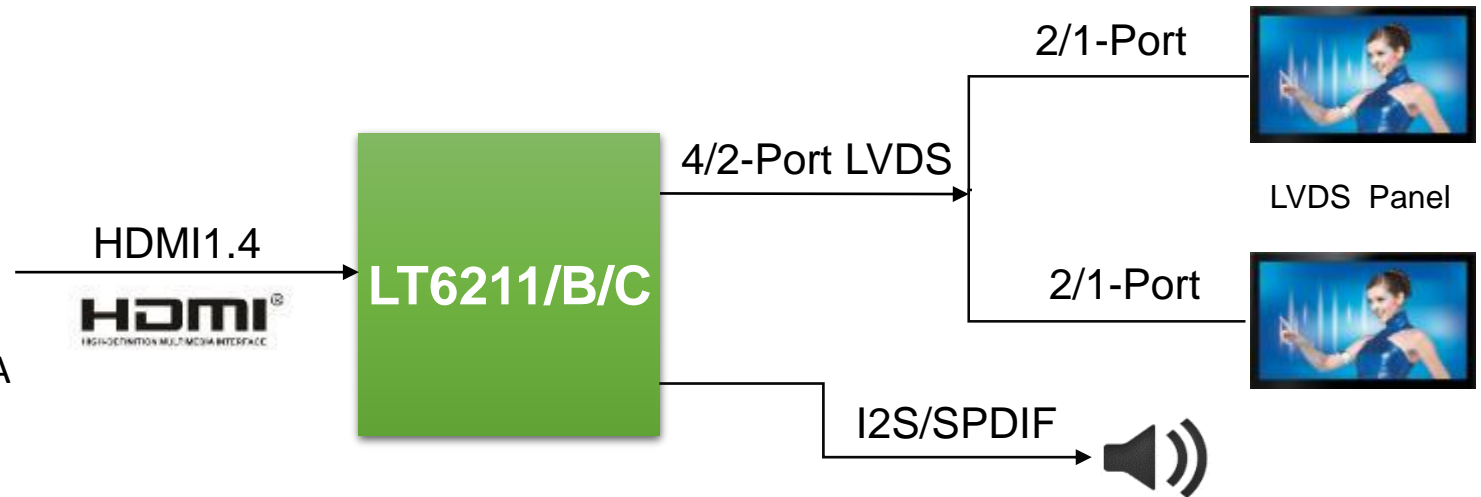
Features :

•HDMI1.4 Receiver

- Compliant with HDMI1.4, up to 4K@30Hz
- Support HDCP1.4

•LVDS Transmitter

- Compatible with VESA and JEIDA standard
- 1/2/4 configurable port
- Maximum 1.2Gb/s per data lane
- Side-by-side 3D support



Applications:

- VR

LT6211UX HDMI2.0 Receiver (4-Port LVDS)

Features :

•HDMI2.0 Receiver

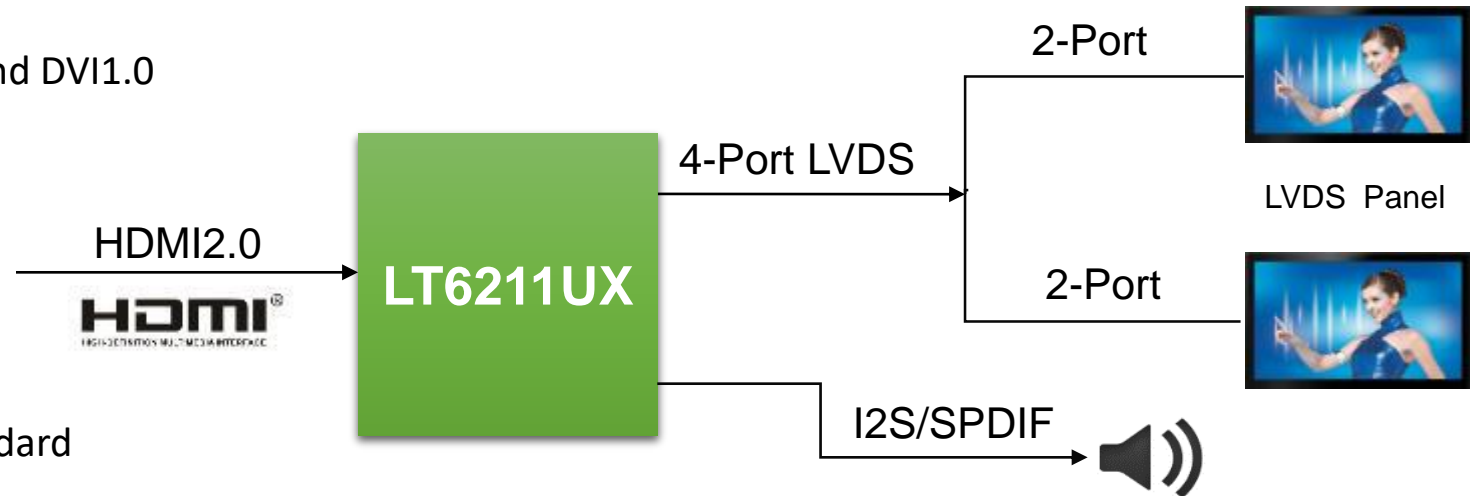
- Compliant with HDMI2.0b, HDMI1.4 and DVI1.0
- Compliant with HDCP2.2 and HDCP1.4
- Data rate up to 6Gbps
- Support 4k@60Hz
- 3D support
- Integrated EDID shadow

•LVDS Transmitter

- Compatible with VESA and JEIDA standard
- 1/2/4 configurable ports
- 1 clock lane and 3/4 configurable data lanes per port
- 1.2Gbps per data lane
- 6-bit and 8-bit color depth

•Audio Output

- Support SPDIF and 8-channel I2S audio output



Applications:

- VR

LT6211UXC HDMI2.0 Receiver (2-Port LVDS)

Features :

•HDMI2.0 Receiver

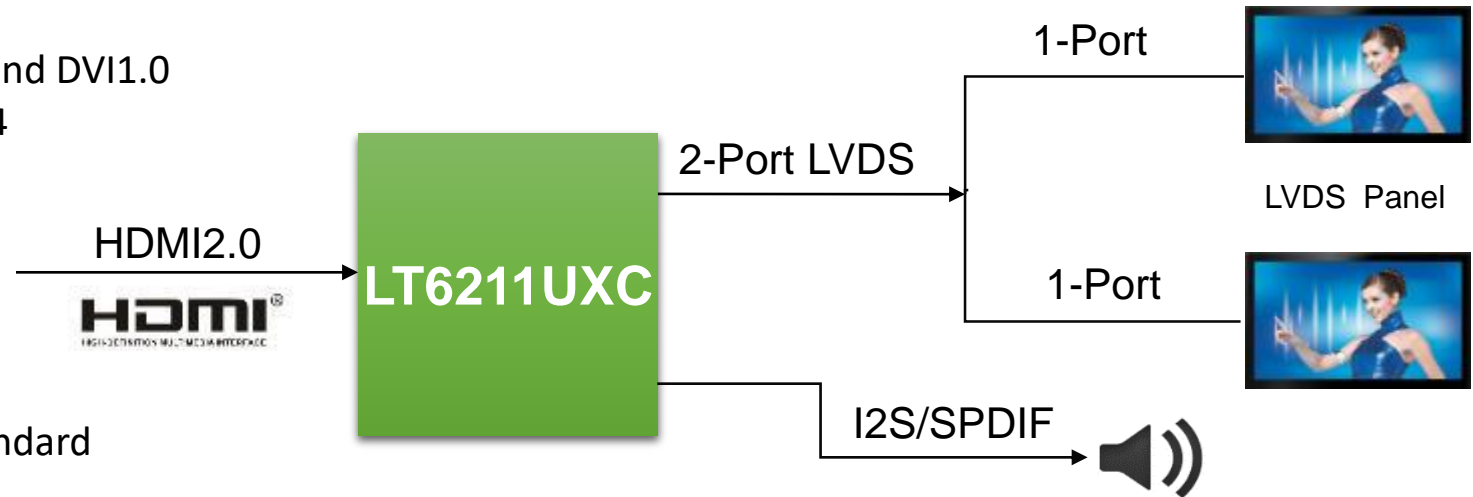
- Compliant with HDMI2.0b, HDMI1.4 and DVI1.0
- Compliant with HDCP2.2 and HDCP1.4
- Data rate up to 3Gbps
- Support 4k@30Hz
- 3D support
- Integrated EDID shadow

•LVDS Transmitter

- Compatible with VESA and JEIDA standard
- 1/2 configurable ports
- 1 clock lane and 3/4 configurable data lanes per port
- 1.2Gbps per data lane
- 6-bit and 8-bit color depth

•Audio Output

- Support SPDIF and 2-channel I2S audio output



Applications:

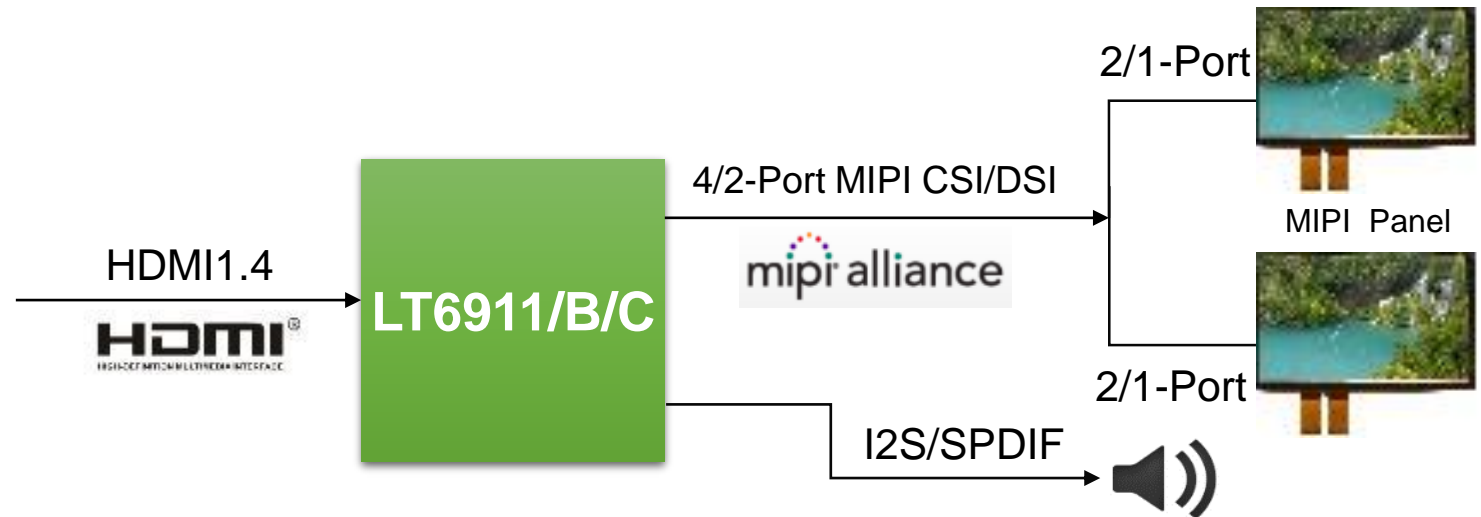
- VR

LT6911/B/C HDMI1.4 Receiver (4/2-Port MIPI CSI/DSI)



Features :

- HDMI1.4 Receiver
 - Compliant with HDMI1.4, up to 4k@30Hz
 - Support HDCP1.4
- MIPI CSI/DSI Transmitter
 - Compliant with DCS 1.02, D-PHY 1.2, DSI 1.02, CSI-2 1.0
 - 1/2/4 configurable port
 - 80Mb/s~1.5Gb/s per data lane
 - Side-by-side 3D support



Applications:

- VR

LT6911UX HDMI2.0 Receiver(4-Port MIPI CSI/DSI)

Features :

•HDMI2.0 Receiver

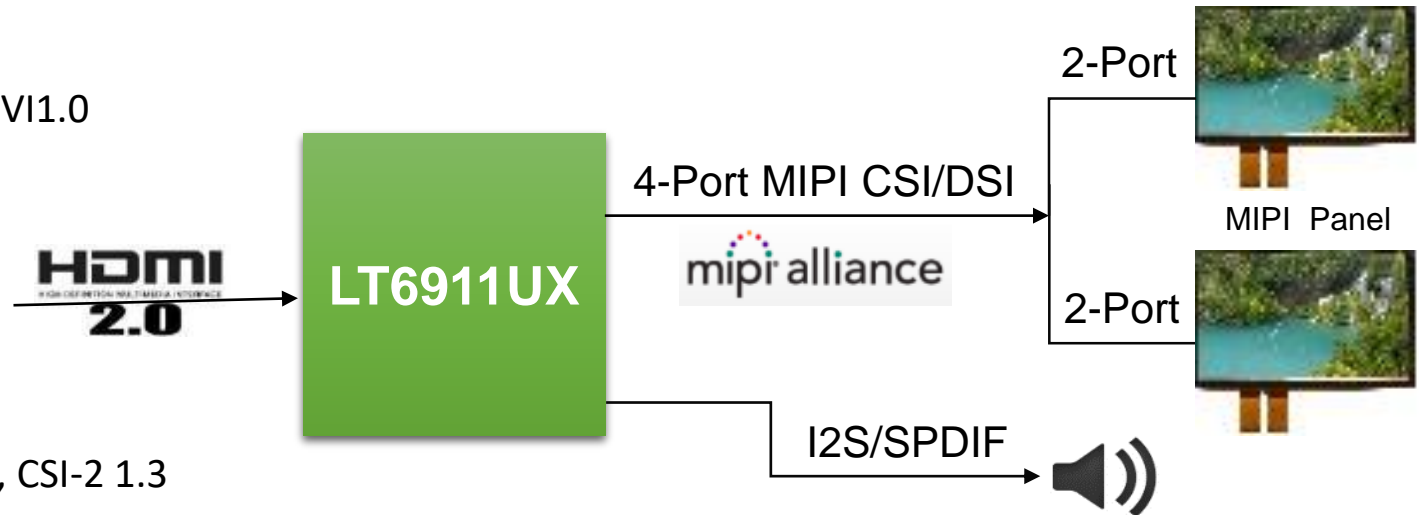
- Compliant with HDMI2.0b, HDMI1.4 and DVI1.0
- Compliant with HDCP2.2 and HDCP1.4
- Data rate up to 6Gbps
- Support 4k@60Hz
- 3D support
- Integrated EDID shadow

•MIPI CSI/DSI Transmitter

- Compliant with DCS1.1, D-PHY 1.2, DSI 1.3, CSI-2 1.3
- Integrated DSC1.2 encoder
- 1/2/4 configurable ports
- 1 clock lane and 1/2/3/4 configurable data lanes per port
- 80Mbps~2Gbps per data lane
- Skew calibration

•Audio Output

- Support SPDIF and 8-channel I2S audio output



Applications:

- VR

LT6911UXC HDMI2.0 Receiver(2-Port MIPI CSI/DSI)

Features :

•HDMI2.0 Receiver

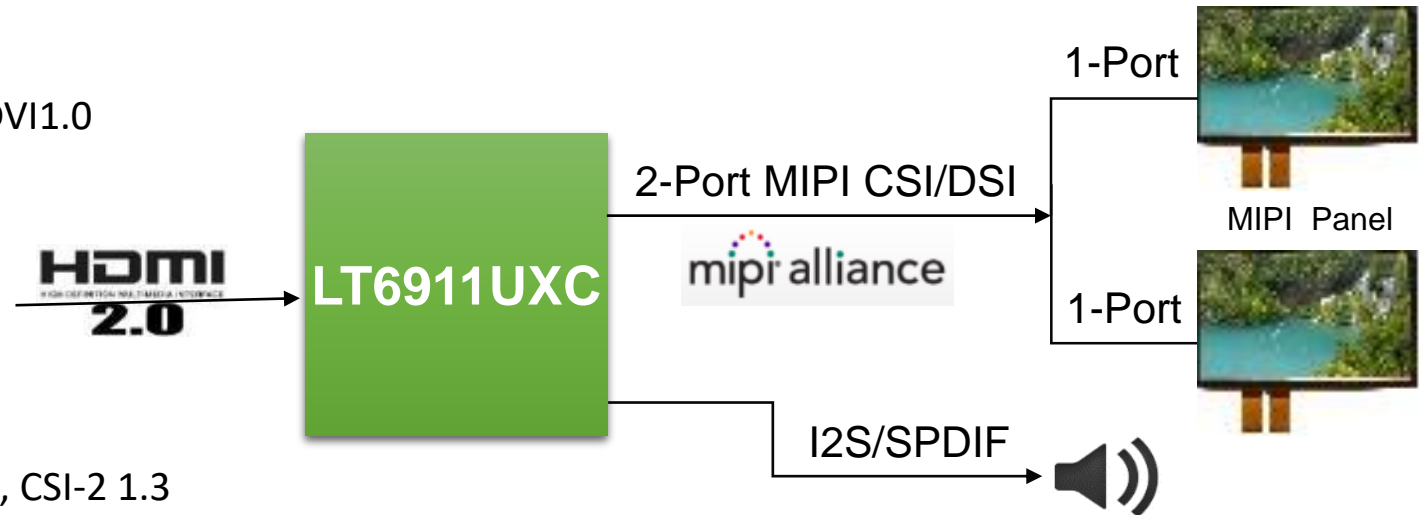
- Compliant with HDMI2.0b, HDMI1.4 and DVI1.0
- Compliant with HDCP2.2 and HDCP1.4
- Data rate up to 6Gbps
- Support 4k@60Hz
- 3D support
- Integrated EDID shadow

•MIPI CSI/DSI Transmitter

- Compliant with DCS1.1, D-PHY 1.2, DSI 1.3, CSI-2 1.3
- Integrated DSC1.2 encoder
- 1/2 configurable ports
- 1 clock lane and 1/2/3/4 configurable data lanes per port
- 80Mbps~2Gbps per data lane
- Skew calibration

•Audio Output

- Support SPDIF and 2-channel I2S audio output



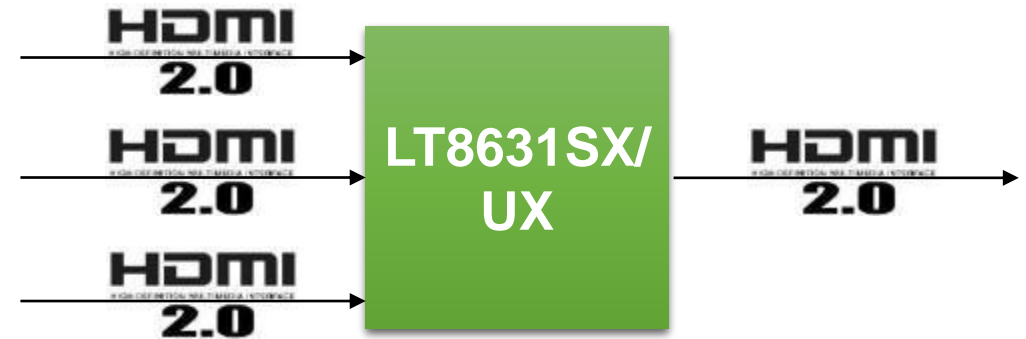
Applications:

- VR

LT8631SX/UX HDMI 1.4/2.0 3:1 Switch

Features :

- 3 inputs, 1 output HDMI/DVI links
- Compliant with HDMI 1.4/2.0/DVI 1.0
- Supports data rates up to 6Gbps, resolution up to 4K@60Hz
- Integrated HPD switch, DDC switch
- Source/Sink connection detection for flexible system management
- No need external crystal
- Adaptive equalization



Applications:

- Front panel buffer for advanced television (HDTV) sets
- Standalone switcher
- Multiple input displays
- Projectors
- A/V receivers

LT8641UX HDMI 2.0 4:1 Switch

Features :

- Low cost HDMI 2.0 4 to 1 Switch
- Support up to 4Kx2K@30Hz/4Kx2K@60Hz resolution
- Low power consumption



Applications:

- Embedded TV Switch
- External HDMI Switch

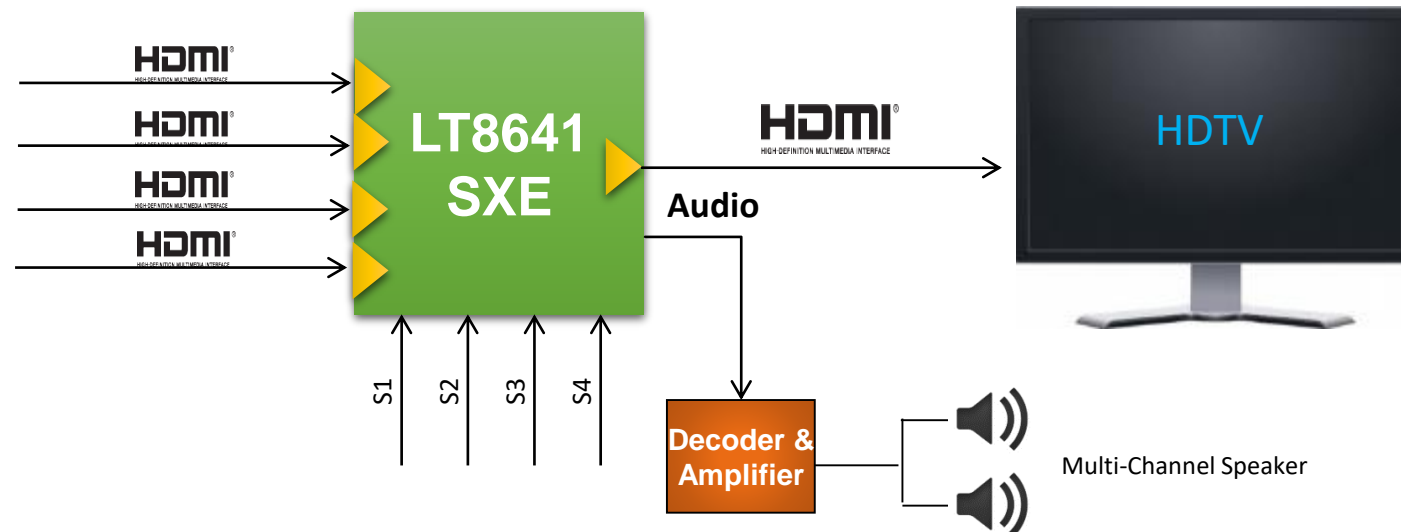
LT8641SXE HDMI1.4/2.0 Switch with Jitter Cleaning & Signal Repeating

Features :

- HDMI1.4/2.0 4 to1 Switch, jitter cleaning and signal repeating
- Best repeating performance up to 30 meters with #26 HDMI cable
- Support HDCP function
- Support HDMI1.4/2.0(YCbCr 4:2:0) resolution formats
- Support HDMI resolution formats up to 3.4Gbps data rate and 4Kx2K @60Hz YCbCr 4:2:0 format
- Support 8-channel I2S/SPDIF output
- Support ARC(Audio Return Channel)

Applications:

- Embedded TV Switch
- External HDMI Switch
- Digital Audio Amplifier
- HDMI Matrix, Repeater



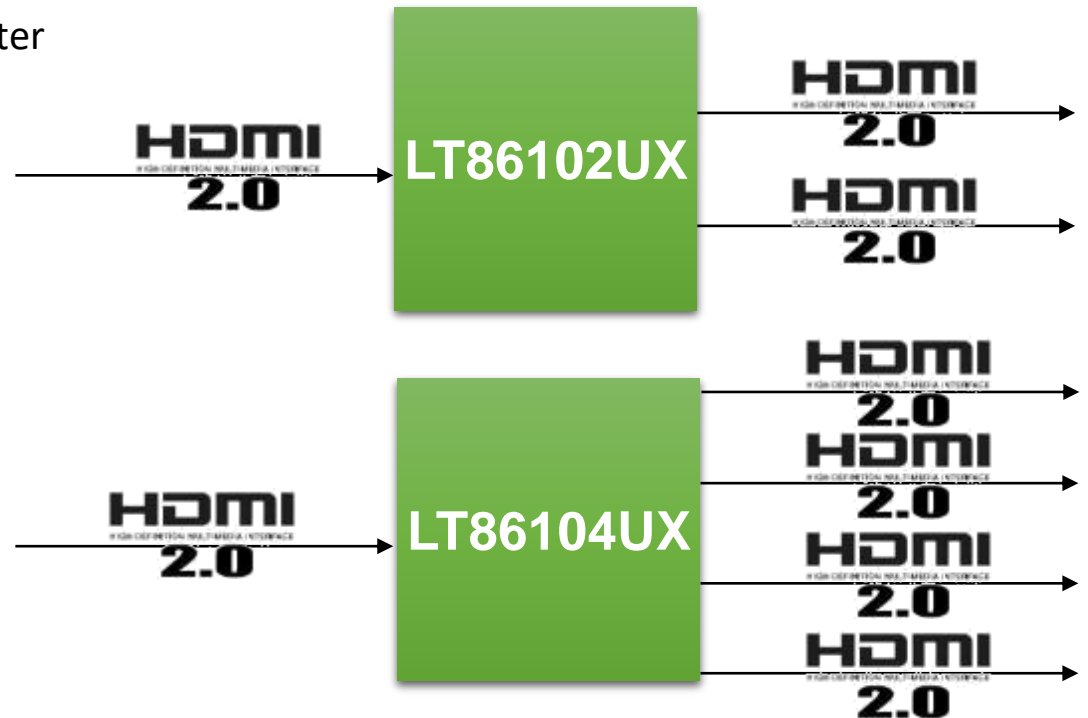
LT86102UX/LT86104UX HDMI2.0 Splitter

Features :

- Compliant with HDMI1.4/2.0 specifications, 1 to 2, 1 to 4 Splitter
- Support 3D video formats and 4Kx2K extended resolution
- Adaptive equalization and de-emphasis to compensate long cable losses
- ODTs and calibration
- Integrated EDID shadow RAM and embedded EDID
- 5V-tolerant DDC interfaces
- Unlimited cascading for more output ports or signal repeating
- Jitter cleaning PLL for better performance
- DC/AC coupled signal input/output
- No need external crystal

Applications:

- Multiple display/TV support
- HDMI/DVI signal splitting/repeating



LT86102SXE/LT86104SXE HDMI 1.4/2.0 Splitter with Jitter Cleaning & Signal Repeating

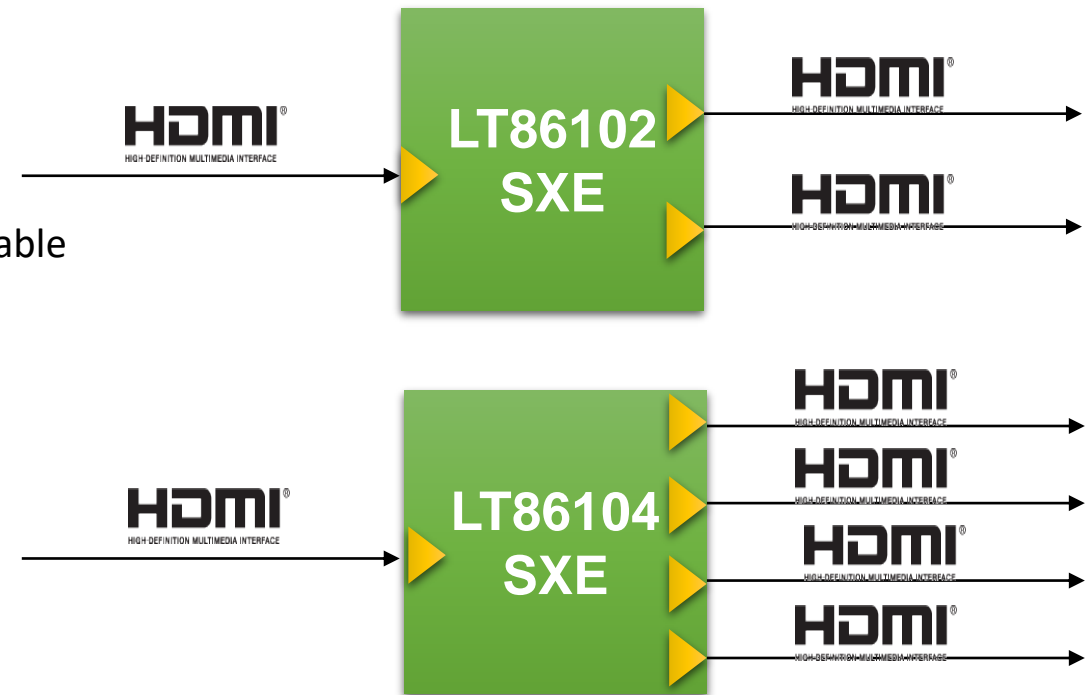


Features :

- HDMI 1.4/2.0 1 to 2, 1 to 4 Splitter, and jitter cleaning, signal repeating
- Compliant with HDCP 1.4
- Best repeating performance up to 30 meters with #26 HDMI cable
- Support HDMI resolution formats up to 3.4Gbps data rate and 4Kx2K @60Hz YCbCr 4:2:0 format
- Low power consumption
- As HDMI repeater it can support very long input distance and output distance

Applications:

- Digital Signage
- HDMI Matrix, Repeater
- HDMI/DVI Splitter
- Video Wall



LT86101SX/UX HDMI1.4 Repeater

Features :

- Extend HDMI/Network Cable Length up to 50M
- Compliant with HDMI1.3 and HDMI1.4
- Support HDCP bypass function
- Support HDMI resolution formats up to 3.4Gbps data rate
- Support cascade connection



Applications:

- Multiple display/TV support
- DVI/HDMI cable-extender modules
- Cable assemblies
- TMDS cable equalizer

LT86101X

HDMI1.4/2.0 Re-driver

Features :

- Compliant with HDMI1.4b and 2.0 Standard
- Support up to 6Gb/s Data Rates
- Integrate DDC Interception and CEC
- Support Hot-Plug Detect
- Support Only AC Coupled Interface
- Programmable Input Equalization, Output Swing and De-emphasis
- Internal MCU and Flash for Online Firmware Upgrade
- Support External I2C Debug
- 1.8V/3.3V Power Supply
- Packaged in 5mmx5mm QFN40



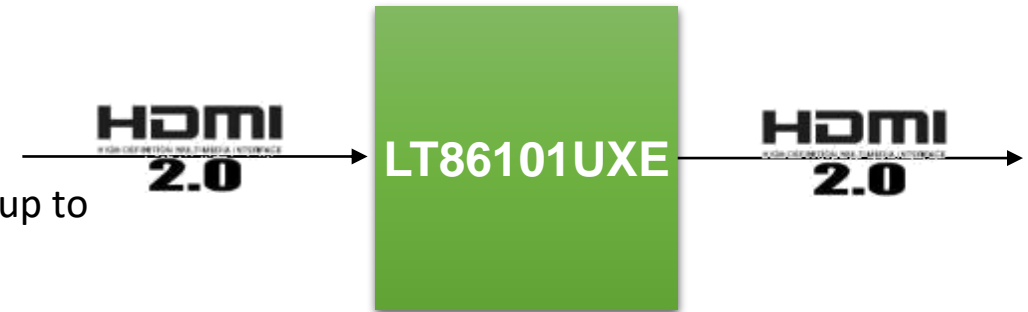
Applications:

- Digital TV and Blu-Ray DVD Player
- Digital Project and LCD Display
- Home Entertainment and HDMI Cable Extender
- PC, Notebook, All-in-Ones Computer and Docking

LT86101UXE HDMI2.0 Repeater

Features :

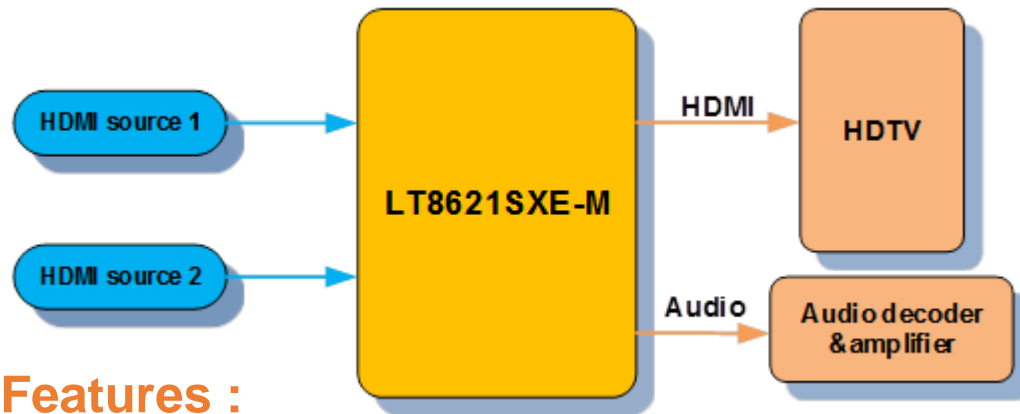
- Compliant with HDMI 1.4/2.0 specifications
- Support 3D video formats and 4Kx2K extended resolution formats up to 6.0Gbps data rate
- Supports 8/10/12bit deep color
- Supports 4K2K video up to 60Hz frame rate
- Adaptive equalization and de-emphasis to compensate long cable losses
- ODTs and calibration
- Unlimited cascading for more output ports or signal repeating
- Jitter cleaning PLL for better performance
- DC/AC coupled signal input/output



Applications:

- Multiple display/TV support
- DVI/HDMI cable-extender modules
- Cable assemblies
- TMDS cable equalizer

LT8621SXE-M HDMI 1.4/2.0 2 to 1 Switch with Repeater



Features :

- 2 inputs 1 output HDMI 1.4/2.0 switch, with TMDs signal repeater
- Support HDCP 1.4
- HDMI resolution up to 4K@30Hz, 4K@60Hz (YCbCr 4:2:0)
- Support HDMI signal repeating through HDMI cable and CAT6 cable
- Support digital audio out that allow direct audio amplifier connection
- Support cascade connection for long distance repeating over 100 meters at 1080P
- Flexible cascading with either HDMI or CAT6 cable
- Small package and low power which allow device being embedded in HDMI connector
- Support 3D format
- Integrated MCU for area and BOM saving

Applications:

- HDMI Extender via Cat6/Cat7 Cable
- 30/60M HDMI Cable

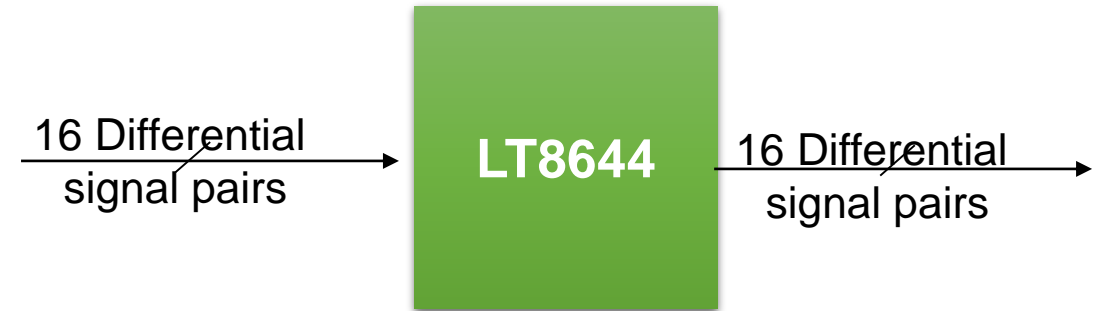
LT8644

16 Channel Cross-point Switch



Features :

- 16 differential channels, cross-point switch to any channel
- Support data rate up to 3.4Gbps
- Support both AC couple and DC couple mode
- Low power consumption



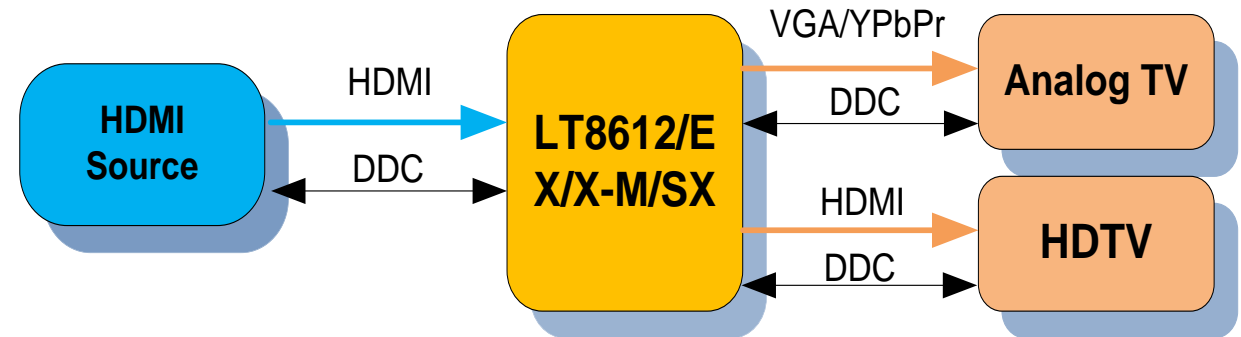
Applications:

- Matrix Switch Box
- Digital Signage
- Video Broadcasting

LT8612/EX/X-M/SX HDMI to HDMI&VGA/YPbPr

Features :

- HDMI1.4 to HDMI 1.4 & VGA/YPbPr dual outputs
- Support HDCP function
- Support all HDMI1.4 resolution formats
- Support 8/10/12bit deep color, up to 3.4Gbps data rate
- Support 8-channel I2S and SPDIF outputs
- LT8612X-M with integrated MCU for space efficiency



Applications:

- Digital Signage
- PC, Laptop Mother Boards
- HDMI to VGA/YPbPr Dongle
- Car Entertainment System

LT8511EX HDMI 1.4 to VGA Converter

Features :

- Single-chip HDMI video processor. integrated equalizer to deliver the best signal quality
- Compliant with HDMI1.4 ,DVI 1.0, 8/10/12bit deep color and 4Kx2K, up to 3.4GHz data rate
- Support YCC to RGB and RGB to YCC conversion in ITU-R BT.601 and 709 color space
- Support pixel clock rate up to 300MHz up to 4Kx2K@30Hz resolution
- Power consumption: 5V 140mA
- HDMI cable support up to 10M
- Support 8-channel I2S/SPDIF input



Applications:

- Mobile Phone
- Tablet/Pad
- Ultra book
- Home Game Console
- PC/Graphic Card

LT8522EX/X HDMI & VGA Matrix Switch

Features :

- HDMI 1.4 (LT8522EX) input and VGA input, HDMI and VGA Output, Matrix switch
- Compliant with HDMI1.4
- Support HDCP function
- Support all HDMI 1.4 resolution formats
- Support 8/10/12bit deep color, 4Kx2K up to 3.4Gbps data rate
- Low power consumption



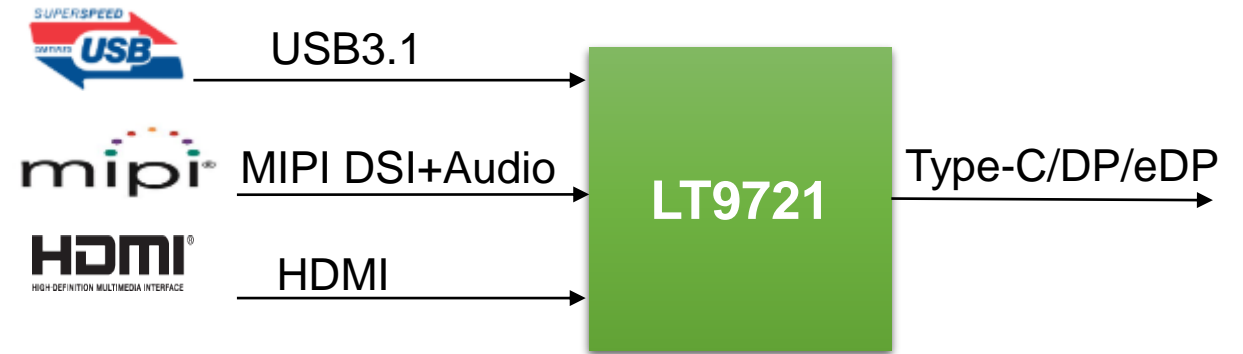
Applications:

- Matrix Switch Box
- VGA to HDMI converter
- HDMI to VGA converter

LT9721 HDMI/MIPI DSI to Type-C(DP/eDP) with USB3.1 Switch

Features :

- Single-Port MIPI DSI receiver up to 1080P@60Hz for RGB format and 4K@30Hz for YUV420 format
- HDMI1.4 receiver up to 4Kx2K@30Hz for RGB format and 4Kx2K@60Hz for YUV420 format
- DP 1.2 Transmitter up to 4Kx2K@60Hz
- USB Type-C output interface



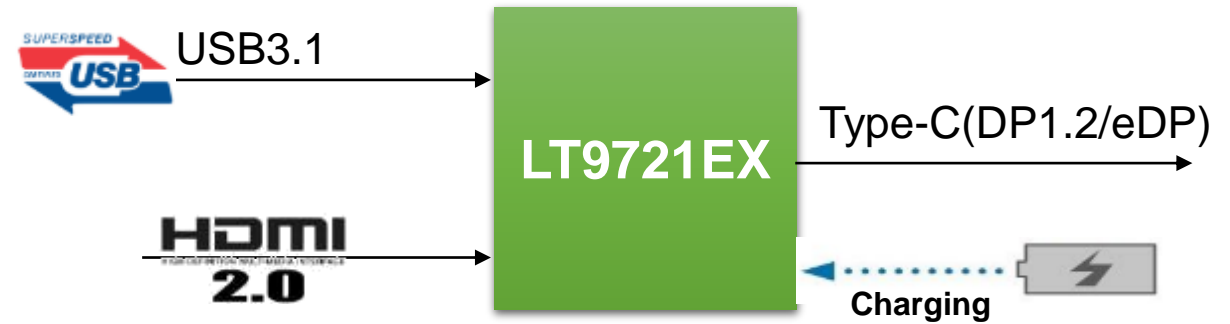
Applications:

- Smart Phone
- PAD/Tablets
- Digital video cameras
- Digital still cameras

LT9721EX HDMI2.0 to Type-C(DP1.2/eDP) with USB3.1 switch

Features :

- HDMI2.0 receiver up to 4K@60Hz
- DP 1.2 Transmitter up to 4Kx2K@60Hz
- USB Type-C output interface



Applications:

- Smart Phone
- PAD/Tablets
- Digital video cameras
- Digital still cameras

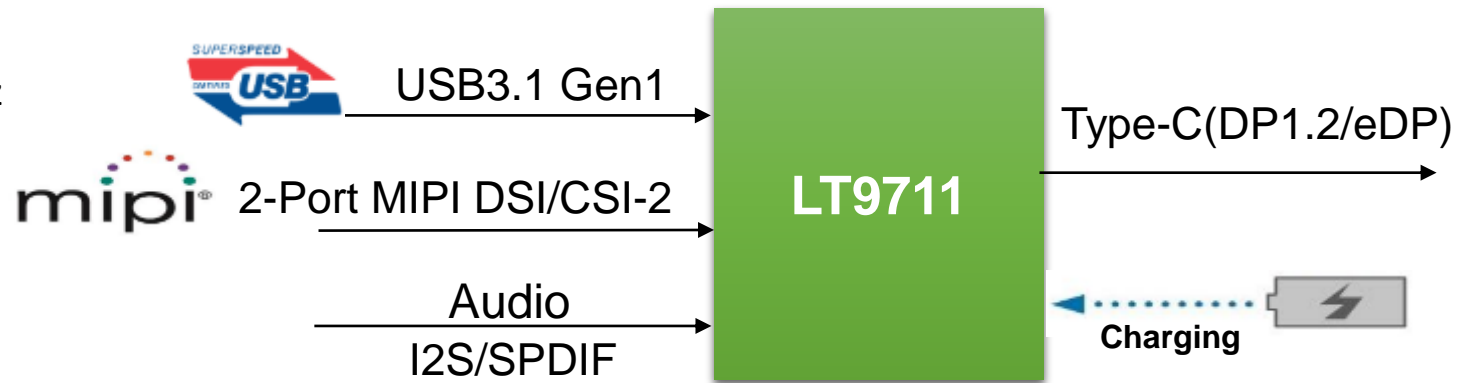
LT9711

2-Port MIPI DSI/CSI-2 to Type-C(DP1.2/eDP) with USB3.1 switch



Features :

- 2-Port MIPI DSI/CSI-2 receiver up to 4K@60Hz
- DP 1.2 Transmitter up to 4Kx2K@60Hz
- USB Type-C output interface



Applications:

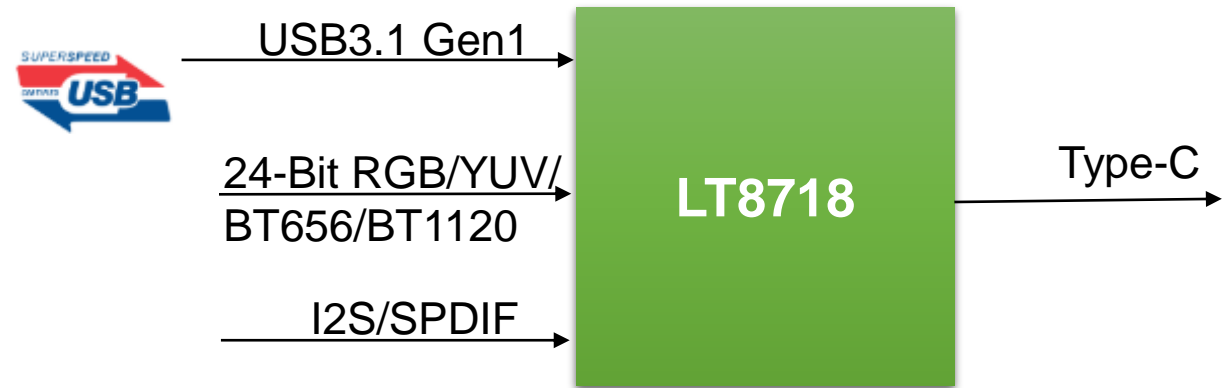
- Smart Phone
- PAD/Tablets
- Digital video cameras
- Digital still cameras

LT8718 TTL to Type-C(DP/eDP) with USB3.1 Switch



Features :

- 24-bit RGB/YUV and BT656/BT1120 input
Resolution up to 4Kx2K@30Hz
- Resolution up to 4Kx2K@60Hz for YCbCr 4:2:0
- DP 1.2 transmitter up to 4Kx2K@60Hz
- USB Type-C output interface



Applications:

- Mobile systems
- Cellular handsets
- Digital video cameras
- Digital still cameras

LT8911EX/EXB 2 Port LVDS/MIPI CSI/DSI to eDP

Features :

LT8911EX

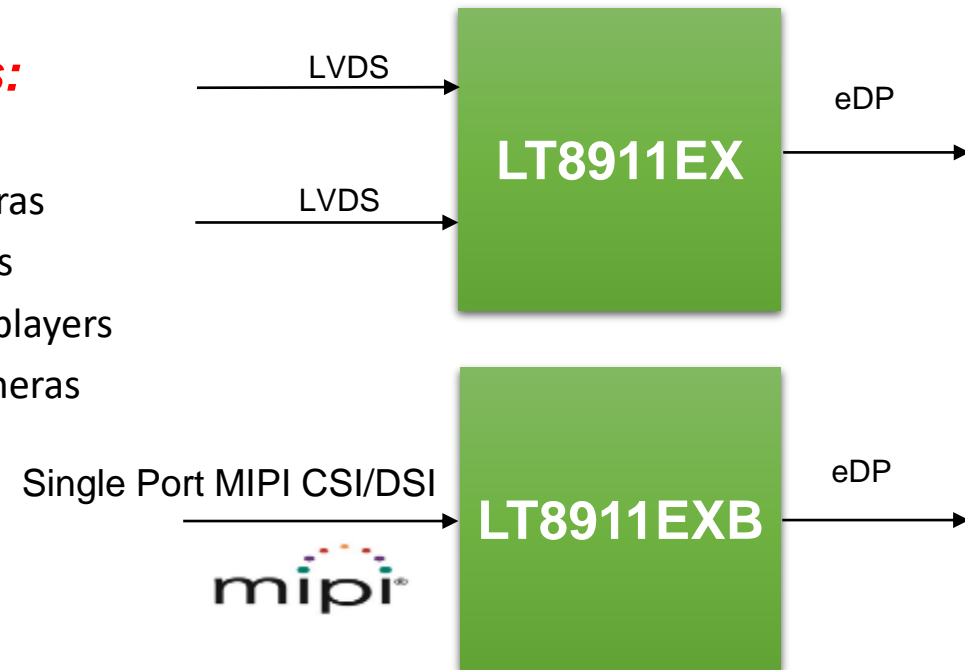
- Supports Single/Dual Port LVDS input
- Maximum 1.2Gb/s per data lane
- 1~2 configurable port
- Support 6-bit or 8-bit input color depth
- Support input De-SSC($\pm 5\%$ @30KHz~80KHz)

LT8911EXB

- Supports Single Port MIPI CSI/DSI input
- Compliant with D-PHY1.2, DSI1.3 and CSI1.3
- Clock lane and 1~4 configurable data lanes
- 80Mb/s~2.0Gb/s per data lane
- Support 16/18/24/30/36-bit RGB and YUV format
- Support Burst and Non-Burst Mode

Applications:

- Mobile systems
- Digital still cameras
- Cellular Handsets
- Personal Media players
- Digital video cameras
- Gaming



LT7211/B/D Type-C/DP to 4/2-Port LVDS

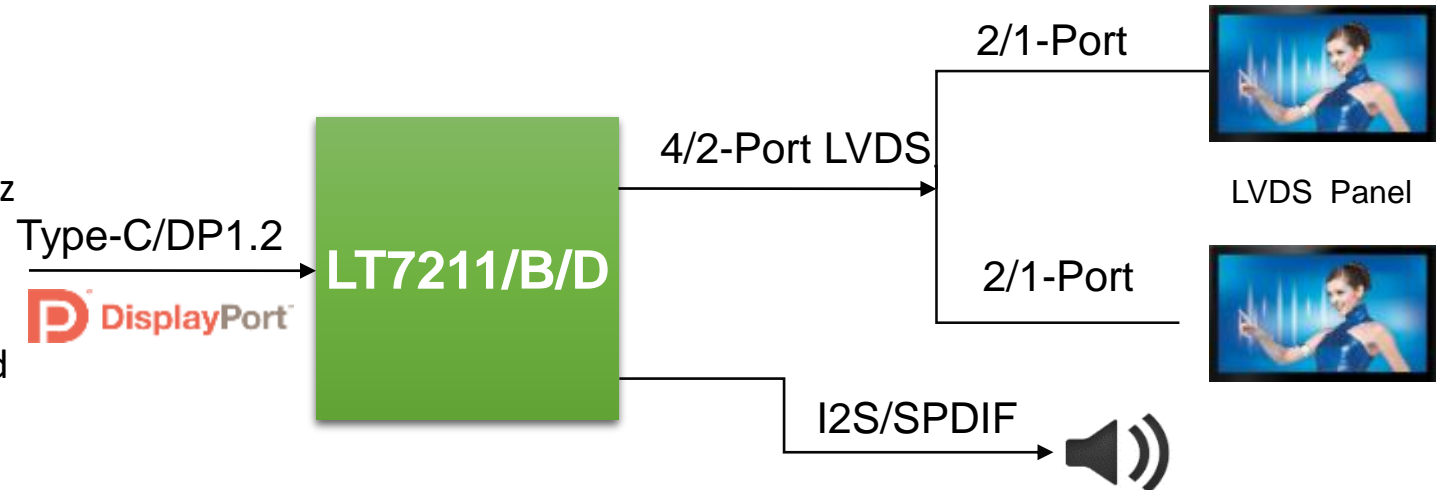
Features :

•Type-C/DP1.2 Receiver

- Compliant with DP1.2 for 1.62Gb/s,2.7Gb/s ,5.4Gb/s ,up to 4K@60Hz
- 1/2/4 configurable lane

•LVDS Transmitter

- Compatible with VESA and JEIDA standard
- 1/2/4 configurable port
- Maximum1.2Gb/s per data lane
- Side-by-side 3D support



Applications:

- VR

LT7911/B/D Type-C/DP to 4/2-Port MIPI CSI/DSI

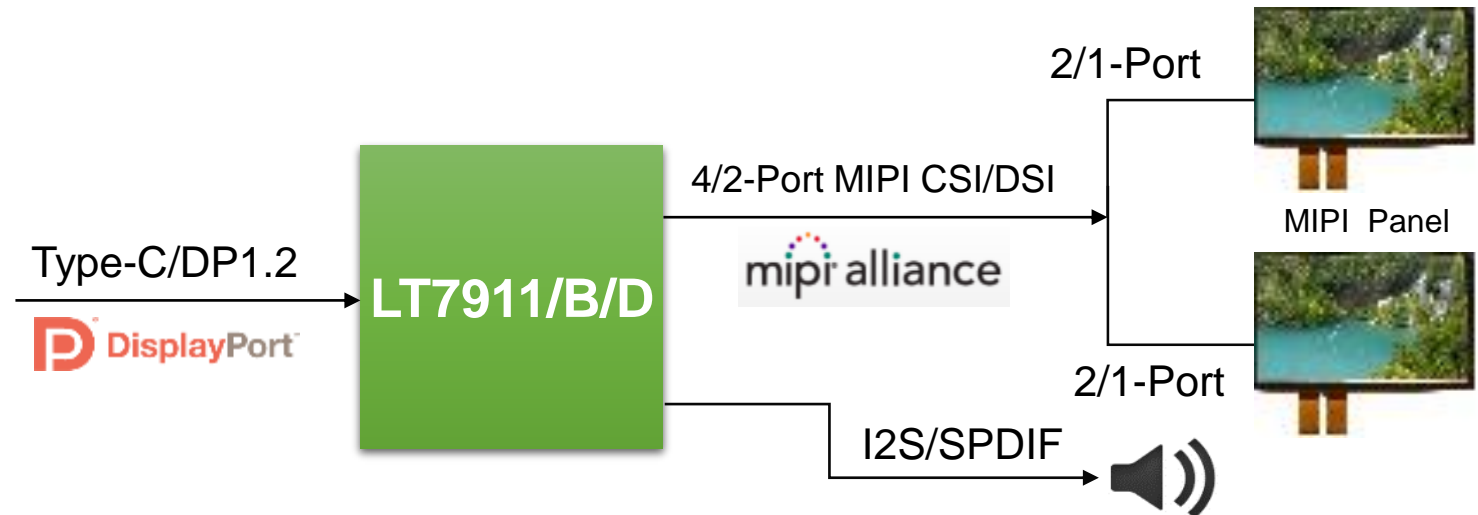
Features :

•Type-C/DP1.2 Receiver

- Compliant with DP1.2 for 1.62Gb/s,2.7Gb/s ,5.4Gb/s ,up to 4K@60Hz
- 1/2/4 configurable lane

•MIPI CSI/DSI Transmitter

- Compliant with DCS 1.02, D-PHY 1.2, DSI 1.02, CSI-2 1.0
- 1/2/4 configurable port
- 80Mb/s~1.5Gb/s per data lane
- Side-by-side 3D support



Applications:

- VR

LT87101 DP1.2 Re-driver

Features :

- Compliant with VESA DP1.2 Standard
- Support up to 5.4 Gb/s Data Rates
- Integrate AUX Interception
- Programmable Input Equalization, Output Swing and De-emphasis
- Internal MCU and Flash for Online Firmware Upgrade
- Support External I2C Debug
- 1.8V/3.3V Power Supply
- Packaged in 5mmx5mm QFN40



Applications:

- PC
- Notebook
- All-in-Ones Computer
- Docking
- Home Entertainment
- DP Cable Extender

LT8712EXI

Type-C/DP1.2 to HDMI2.0*2&VGA+Audio



Features :

•USB Type-C

- Compliant with DP Alt Mode 1.0, PD 2.0, Type-C 1.2, HDMI1.4b Alt Mode 1.0
- Dual CC controllers

•DP Receiver

- Compliant with DP1.2, HDCP1.3
- 1.62/2.7/5.4Gbps
- 1/2/4 lanes
- Support SSC
- 1Mbps AUX
- SST/MST

•Dual HDMI Transmitters

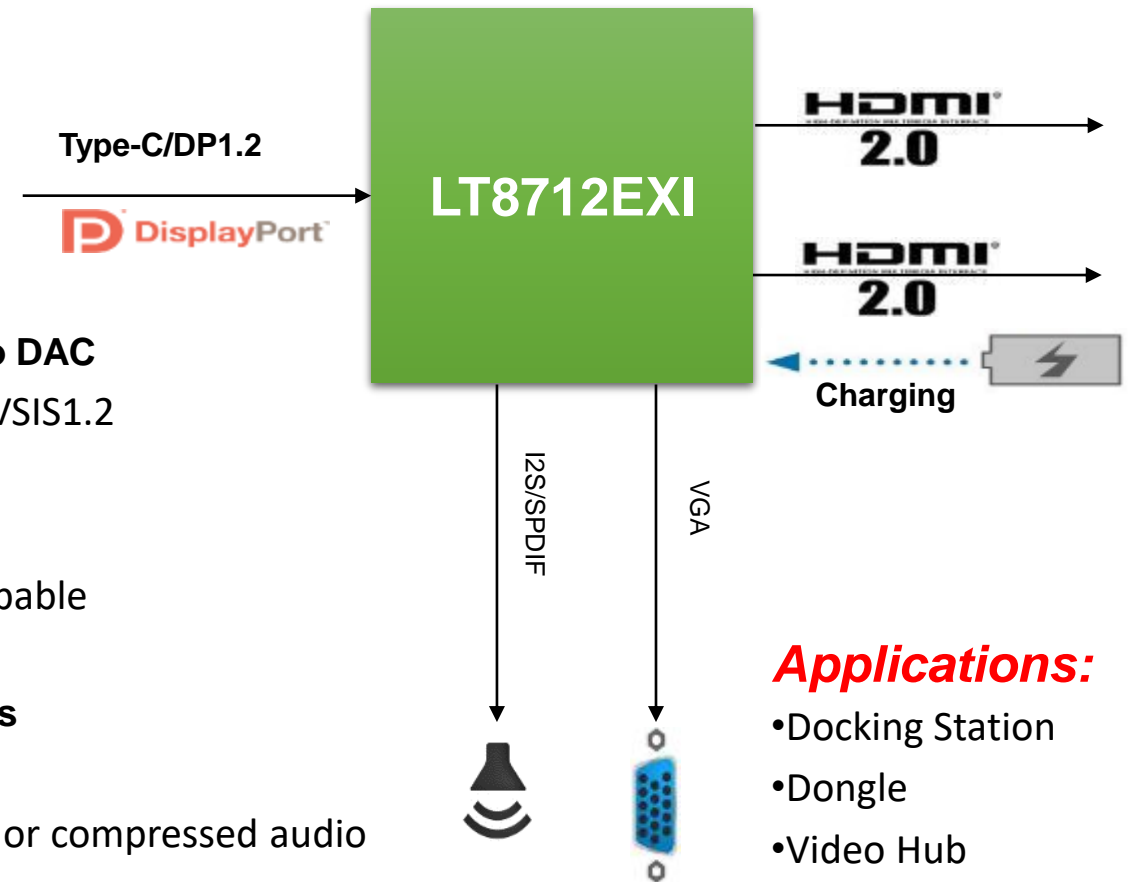
- Compliant with HDMI2.0/1.4, DVI1.0, HDCP2.2/1.4
- 6Gbps
- 4k@60Hz
- AC-couple capable

•Triple-Channel Video DAC

- Compliant with VSIS1.2
- 200MSPS
- Support CSC
- YPbPr output capable
- Load sensing

•Digital Audio Outputs

- I2S/SPDIF
- 8-channel LPCM or compressed audio
- 192kHz



Applications:

- Docking Station
- Dongle
- Video Hub

LT8712SX

Type-C/DP1.2 to HDMI2.0&DP1.2/eDP&VGA



Features :

•USB Type-C

- Compliant with DP Alt Mode 1.0, PD 2.0, Type-C 1.2
- Dual CC controllers

•DP Receiver

- Compliant with DP1.2, HDCP1.3
- 1.62/2.7/5.4Gbps
- 1/2/4 lanes
- Support SSC
- 1Mbps AUX
- SST/MST

•DP Transmitter

- Compliant with DP1.2
- 1.62/2.7/5.4Gbps
- 1/2/4 lanes
- Support SSC
- 1Mbps AUX
- SST

•HDMI Transmitter

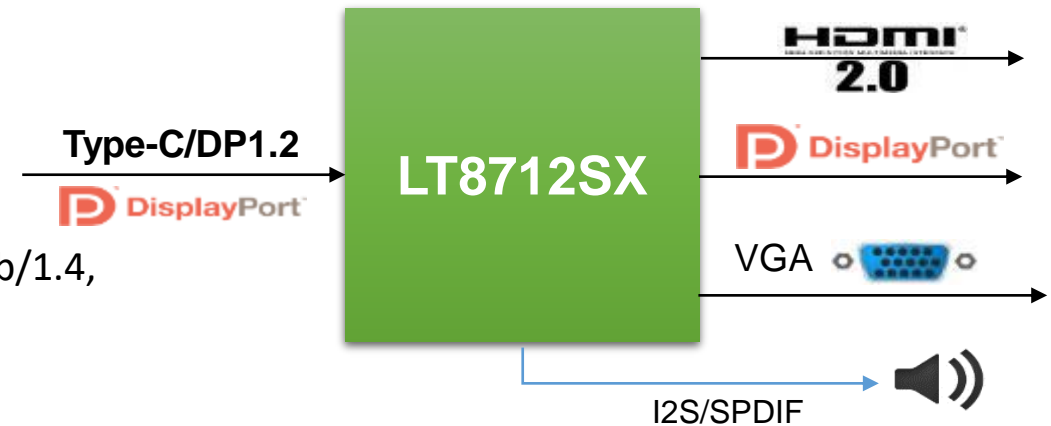
- Compliant with HDMI2.0b/1.4, DVI1.0, HDCP2.2/1.4
- 6Gbps
- 4k@60Hz
- On-die back termination

•Triple-Channel Video DAC

- Compliant with VSIS1.2
- 200MSPS
- Support CSC
- YPbPr output capable
- Load sensing

•Digital Audio Outputs

- I2S/SPDIF
- 8-channel LPCM or compressed audio
- 192kHz



Applications:

- Docking Station
- Dongle
- Video Hub

LT8712X

Type-C/DP1.2 to HDMI2.0&VGA+Audio

Features

- **USB Type-C**
 - Compliant with VESA DisplayPort Alt Mode on USB Type-C standard V1.0
 - Compliant with USB Power Delivery specification R2.0, V1.0
 - Compliant with USB Type-C Cable and Connector specification R1.2
 - Compliant with HDMI 1.4b Alt Mode on USB Type-C specification V1.0
 - Compliant with DP Alt Mode 1.0, PD 2.0, Type-C 1.2, HDMI1.4b Alt Mode 1.0
 - Built-in dual CC controllers for charger and normal communication
 - 3 data roles supported: DFP, UFP and DRP
- **DP1.2 Receiver**
 - Compliant with VESA DP1.2 and Embedded DisplayPort (eDP) v1.4
 - No HDCP decryption
 - 1/2/4 configurable data lanes
 - 1.62/2.7/5.4Gbps per data lane
 - Support SSC
 - 1Mbps AUX channel
 - Support 4k@60Hz
- **HDMI2.0 Transmitter**
 - Compliant with HDMI2.0, HDMI1.4 and DVI1.0
 - Data rate up to 6Gbps
 - Support 4k@60Hz
 - Support TMDS scrambling for EMI/RFI reduction
 - Support SCDC
 - 5V tolerance DDC/HPD I/Os
- **Digital Audio Input/Output**
 - One I2S interface supporting 2-channel audio, with sample rates of 32~192 kHz and sample sizes of 16~24 bits
 - SPDIF interface supporting PCM, Dolby Digital, DTS digital audio at up to 192kHz frame rate
 - IEC60958 or IEC61937 compatible



Applications:

- Docking Station
- Dongle

LT8711UX

Type-C/DP1.2 to HDMI2.0 Converter with Audio&USB3.0 Switch

Features :

•USB Type-C

- Compliant with DP Alt Mode 1.0, PD 2.0, Type-C 1.2, HDMI1.4b Alt Mode 1.0
- Dual CC controllers
- High speed switch

•DP Receiver

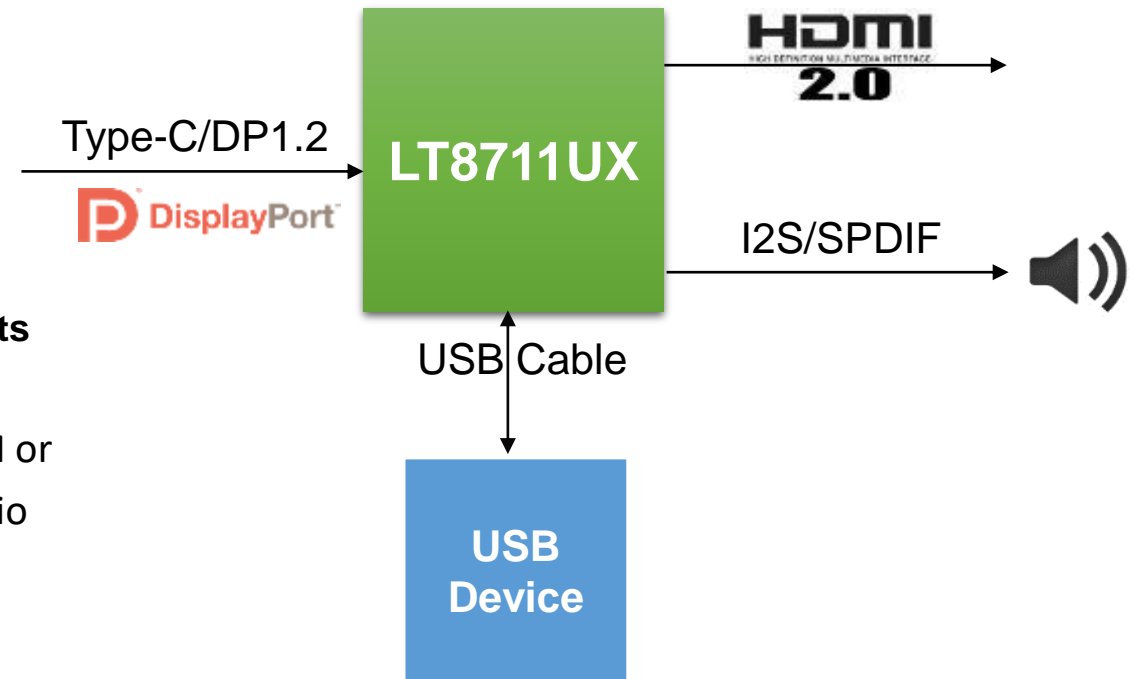
- Compliant with DP1.2, HDCP1.3
- 1.62/2.7/5.4Gbps
- 1/2/4 lanes
- Support SSC
- 1Mbps AUX

•HDMI Transmitter

- Compliant with HDMI2.0/1.4, DVI1.0, HDCP2.2/1.4
- 6Gbps
- 4k@60Hz
- AC-couple capable

•Digital Audio Outputs

- I2S/SPDIF
- 8-channel LPCM or compressed audio
- 192kHz



Applications:

- Docking Station
- Dongle

LT8711EH-C Type-C/DP1.2 to HDMI2.0 Converter

Features :

•USB Type-C

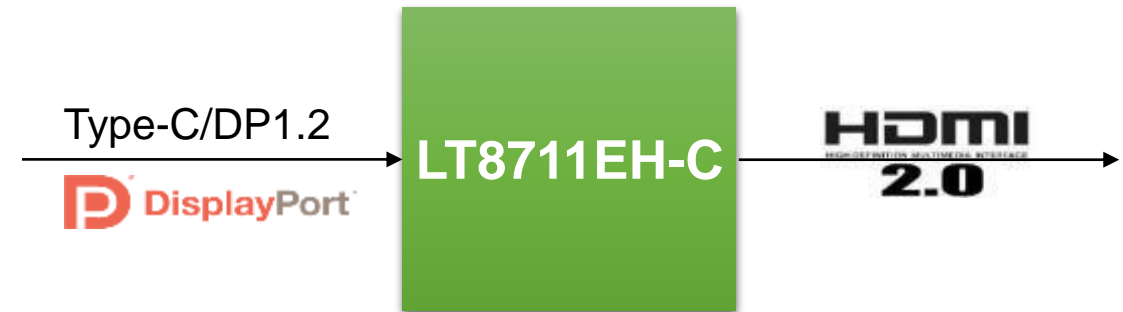
- Compliant with DP Alt Mode 1.0, PD 2.0, Type-C 1.2, HDMI1.4b Alt Mode 1.0
- Integrated CC1
- MCU

•DP Receiver

- Compliant with DP1.2, HDCP1.3
- 1.62/2.7/5.4Gbps
- 1/2/4 lanes
- Support SSC
- 1Mbps AUX

•HDMI Transmitter

- Compliant with HDMI2.0/1.4, DVI1.0, HDCP2.2/1.4
- 6Gbps
- 4k@60Hz
- AC-couple capable



Applications:

- Docking Station
- Dongle

LT8711HE Type-C/DP1.2 to HDMI2.0 Converter



Features:

• USB Type-C

- Compliant with VESA DisplayPort Alt Mode on USB Type-C standard V1.0
- Compliant with USB Power Delivery specification R2.0, V1.0
- Compliant with USB Type-C Cable and Connector specification R1.2
- Compliant with HDMI 1.4b Alt Mode on USB Type-C specification V1.0
- Compliant with DP Alt Mode 1.0, PD 2.0, Type-C 1.2, HDMI1.4b Alt Mode 1.0
- Built-in dual CC controllers for charger and normal communication
- 3 data roles supported: DFP, UFP and DRP

• DP1.2 Receiver

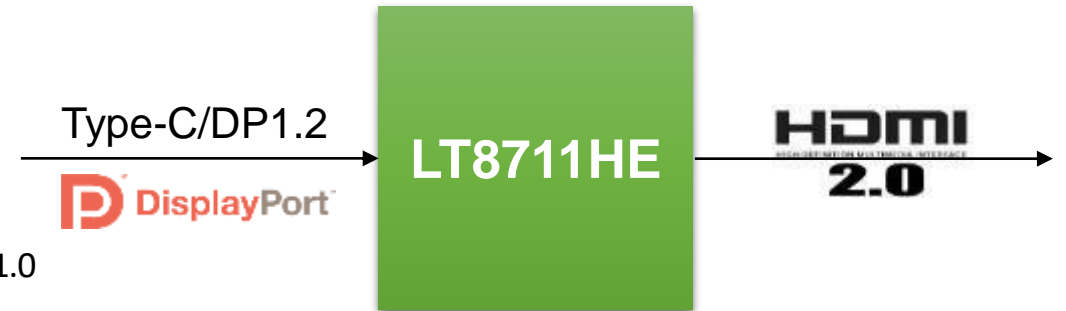
- Compliant with VESA DP1.2 and Embedded DisplayPort (eDP) v1.4
- No HDCP decryption
- 1/2/4 configurable data lanes
- 1.62/2.7/5.4Gbps per data lane
- Support SSC
- 1Mbps AUX channel
- Support 4k@60Hz

• HDMI2.0 Transmitter

- Compliant with HDMI2.0, HDMI1.4 and DVI1.0
- Data rate up to 6Gbps
- Support 4k@60Hz
- Support TMDS scrambling for EMI/RFI reduction
- Support SCDC

• Miscellaneous

- DP receiver to HDMI transmitter bypass to support HDMI Alt Mode
- Support Swift Charge
- USB billboard module and USB2.0 switch integrated
- Internal or external oscillator
- Integrated microprocessor
- Embedded SPI flash for firmware
- GPIOs for VBUS/VCONN/AUX and other system controls



Applications:

- Docking Station
- Dongle

LT8711V Type-C/DP1.2 to VGA Converter with Audio



Features:

• USB Type-C

- Compliant with VESA DisplayPort Alt Mode on USB Type-C standard V1.0
- Compliant with USB Power Delivery specification R2.0, V1.0
- Compliant with USB Type-C Cable and Connector specification R1.2
- Built-in dual CC controllers for charger and normal communication
- 3 data roles supported: DFP, UFP and DRP

• DP1.2 Receiver

- Compliant with VESA DP1.2 and Embedded DisplayPort (eDP) v1.4 .
- No HDCP decryption
- 1/2 configurable data lanes
- 1.62/2.7/5.4Gbps per data lane
- Support SSC
- 1Mbps AUX channel
- Adaptive or programmable receiver equalization



Miscellaneous

- Support Swift Charge
- USB billboard module integrated
- Internal or external oscillator
- Integrated microprocessor
- GPIOs for VBUS/VCONN/AUX and other system controls
- Firmware update through I2C, AUX or USB interface

Applications:

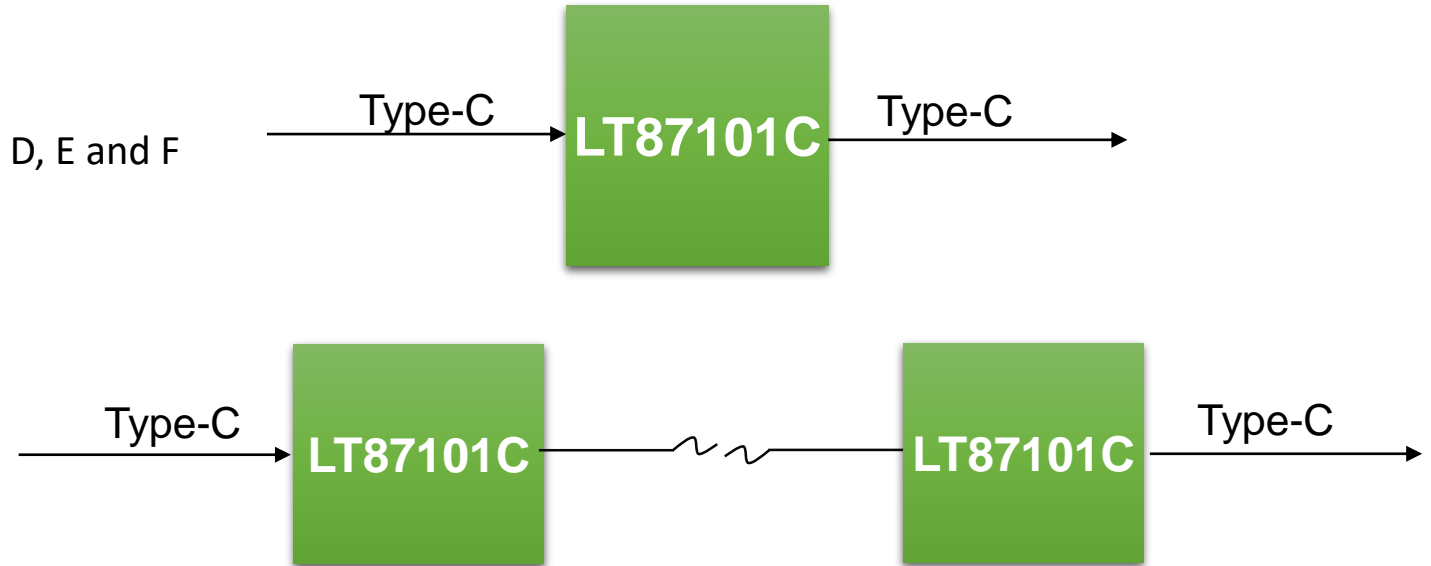
- Tablet PC, Notebook PC
- Dongle

LT87101C

Type-C Re-driver

Features :

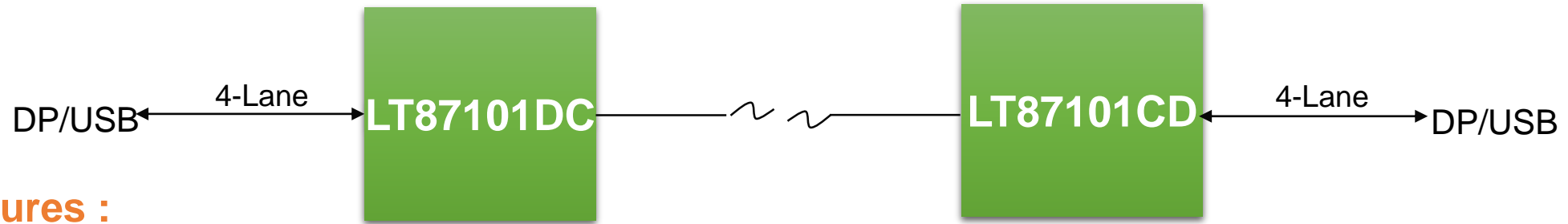
- Compliant with Type-C r1.2 Standard
- Support DP Alternate Mode with Pin Assignment C, D, E and F
- Support HDMI1.4b Alternate Mode
- Support CC Interception via USB PD2.0
- Support SOP'/SOP'' Communication
- Support up to 5.4 Gb/s Data Rates
- Integrate AUX Interception
- Programmable Input Equalization
- Programmable Output Swing and De-emphasis
- Internal MCU and Flash for Firmware Upgrade
- Support External I2C Debug
- 1.8V/3.3V Power Supply
- Packaged in 5mmx5mm QFN40



Applications:

- Smartphone, Tablet and Other Mobile Devices
- VR/AR Helmet Display and Home Entertainment
- PC, Notebook, All-in-Ones Computer
- Active Type-C EMCA Cable

LT87101DC/LT87101CD DP to Type-C/Type-C to DP Converter



Features :

- Compliant with VESA DP1.2, USB3.1 Gen-1, Type-C r1.2, USB PD2.0 and DP Alt Mode v1.0 Standards
- Support either Pin Assignment C/E or Pin Assignment D/F, but Not Simultaneously
- Support Hot-Plug Detect for DP Interface
- Integrate AUX Interception
- Programmable Input Equalization, Output Swing and De-emphasis
- USB Full-Featured, Orientation and Role Detection
- 2 Power Roles Supported: Source and Sink
- 2 Data Roles Supported: DFP,UFP and DRP
- 3-level Current Ability Advertise/Detection for Type-C Power: USB Default, 1.5A@5V, 3A@5V
- SBU Data Path Control for DP Alt Mode
- Internal MCU and Flash for Online Firmware Upgrade
- Support External I2C Debug
- 1.8V/3.3V Power Supply
- Packaged in 5mmx5mm QFN40

Applications:

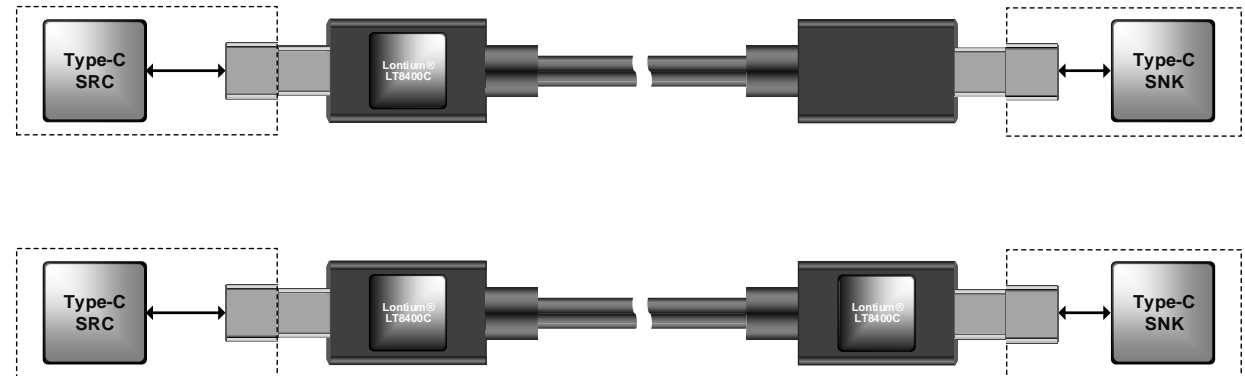
- Smartphone, Tablet and Other Mobile Devices
- VR/AR Helmet Display and Home Entertainment
- PC, Notebook, All-in-Ones Computer and Docking

LT8400C e-Marker Chip for USB Type-C Cable (EMCA)



Features:

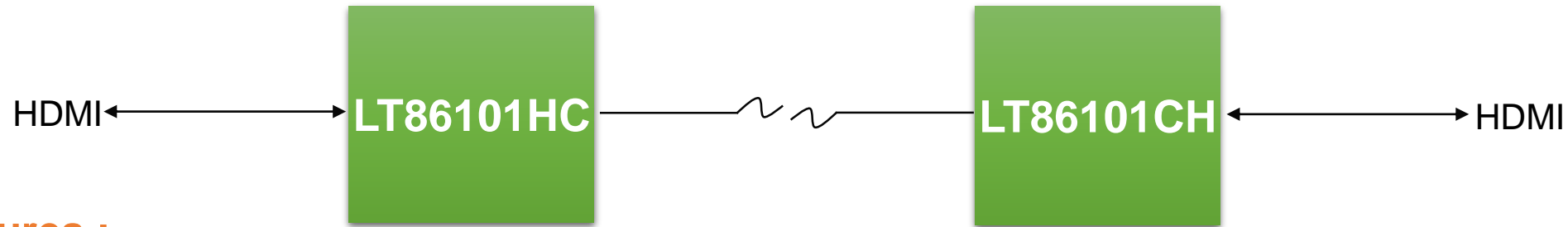
- Compliant to Type-C r1.2 Standard
- Support CC Logic and USB PD2.0
- Support SOP'/SOP'' Communication
- Support VCONN Detect
- Internal MCU and Flash for Firmware Upgrade
- Support External I2C Debug
- 1.8V/3.3V Power Supply
- Packaged in 5mmx5mm QFN40



Application

- Passive Full-Featured USB Type-C Cable
- Active Full-Featured USB Type-C Cable

LT86101HC/LT86101CH HDMI to Type-C/Type-C to HDMI Converter



Features :

- Compliant with HDMI1.4b, Type-C r1.2, USB PD2.0 and HDMI1.4b Alt Mode v1.0 Standards
- Support Hot-Plug Detect for HDMI Interface
- Support DDC and CEC
- Support Only AC Coupled HDMI Interface
- Programmable Input Equalization, Output Swing and De-emphasis
- USB Full-Featured, Orientation and Role Detection
- 2 Power Roles Supported: Source and Sink
- 2 Data Roles Supported: DFP,UFP and DRP
- 3-level Current Ability Advertise/Detection for Type-C Power: USB Default, 1.5A@5V, 3A@5V
- Internal MCU and Flash for Online Firmware Upgrade
- Support External I2C Debug
- 1.8V/3.3V Power Supply
- Packaged in 5mmx5mm QFN40

Applications:

- Smartphone, Tablet and Other Mobile Devices
- VR/AR Helmet Display and Home Entertainment
- PC, Notebook, All-in-Ones Computer

LT86121TX HDMI2.0 Repeater with DSC Encoder

Features :

•HDMI2.0 Receiver

- Compliant with HDMI2.0b, HDMI1.4 and DVI1.0
- Compliant with HDCP2.2 and HDCP1.4
- Data rate up to 6Gbps
- Support 4k@60Hz
- 3D support
- HDR support
- Integrated EDID shadow

•HDMI2.0 Transmitter

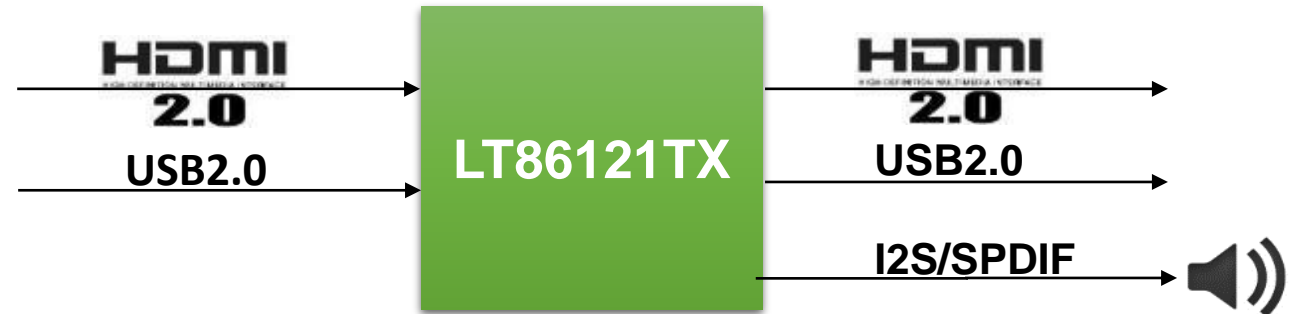
- Compliant with HDMI2.0b, HDMI1.4 and DVI1.0
- No HDCP encryption
- Data rate up to 6Gbps
- Support 4k@60Hz
- On-die back termination
- 3D support
- 2/3 data channels option
- Integrated DSC encoder
- FEC support
- HDR support

•Audio Output

- Support SPDIF and 2-channel I2S audio output

•Miscellaneous

- Integrated USB HS/FS/LS repeater
- Integrated microprocessor
- GPIOs for system controls



Applications:

- Active Cables
- Surveillance
- KVM Extension

LT86121RX

HDMI2.0 Repeater with DSC Decoder

Features :

•HDMI2.0 Receiver

- Compliant with HDMI2.0b, HDMI1.4 and DVI1.0
- No HDCP decryption
- Data rate up to 6Gbps
- Support 4k@60Hz
- 3D support
- Integrated EDID shadow
- 2/3 data channels option
- Integrated DSC decoder
- FEC support
- HDR support

•HDMI2.0 Transmitter

- Compliant with HDMI2.0b, HDMI1.4 and DVI1.0
- Compliant with HDCP2.2 and HDCP1.4
- Data rate up to 6Gbps
- Support 4k@60Hz
- On-die back termination
- 3D support
- HDR support



•Miscellaneous

- Integrated USB HS/FS/LS repeater
- Integrated microprocessor
- GPIOs for system controls

Applications:

- Active Cables
- Surveillance
- KVM Extension

LT8611SX DP Repeater & HDMI/DVI Level Shifter

Features :

- DisplayPort Repeating
- HDMI V1.4/DVI V1.0 Level Shifting
- Support HDMI 2.0 4:2:0 format
- DDC Level Shifting
- DDC Buffer Support
- HPD Level Shifting
- Power supply $3.3\text{ V} \pm 10\%$
- ESD protection up to 3 kV
- Power-saving modes by source-side disablement (using output enable) as well as sink-side detection (using Hot Plug Detect)
- Transparent operation: no re-timing or software configuration required

Application

- PC Motherboard / Graphics Card
- DP to HDMI/DVI Cable Adaptor
- Digital Set-Top-Box1-to-1
- DP Repeater



Applications:



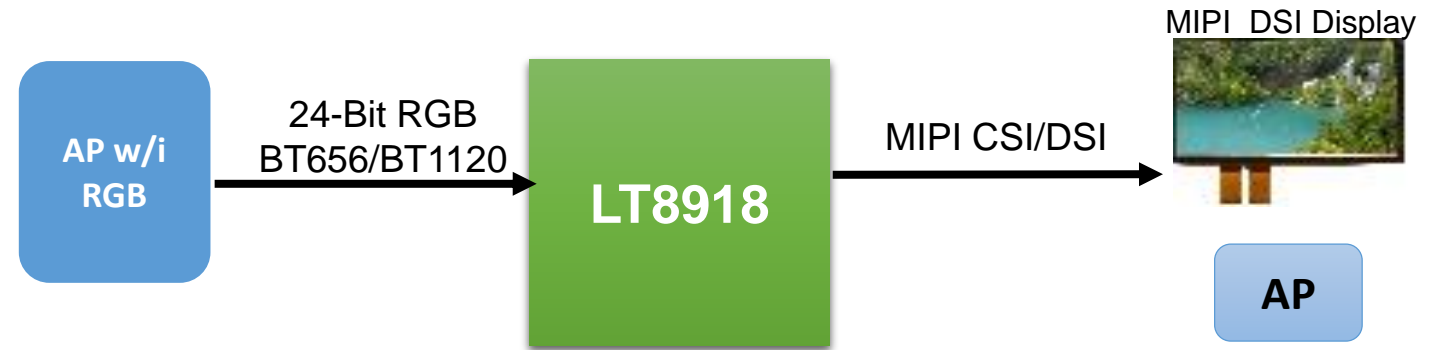
DisplayPort



LT8918 RGB to MIPI CSI/DSI

Features :

- Support 24-Bit RGB and BT656/BT1120 input
- Compliant with DCS1.02, D-PHY1.1 and DSI1.02
- Compliant with D-PHY1.1 and CSI-2 1.0
- Resolution up to 1080P@60Hz



Applications:

- Mobile systems
- Cellular handsets
- Digital video cameras
- Digital still cameras
- Tablet PC, notebook PC
- Car display and camera system

LT8918L

LVDS to MIPI CSI/DSI

Features :

- Support 3-bit maximum 10dB Input Equalization
- Input Data Lane and Polarity Swapping
- 80Mb/s~1.5Gb/s per data lane
- 1.8V Single Supply Power per Data Lane for both Input
- Support 100KHz / 400KHz I2C slave
- External 25MHz Crystal Reference Clock
- Temperature Range: -40°C ~ +85°C
- Packaged in QFN64 7.5mm x 7.5mm



Applications:

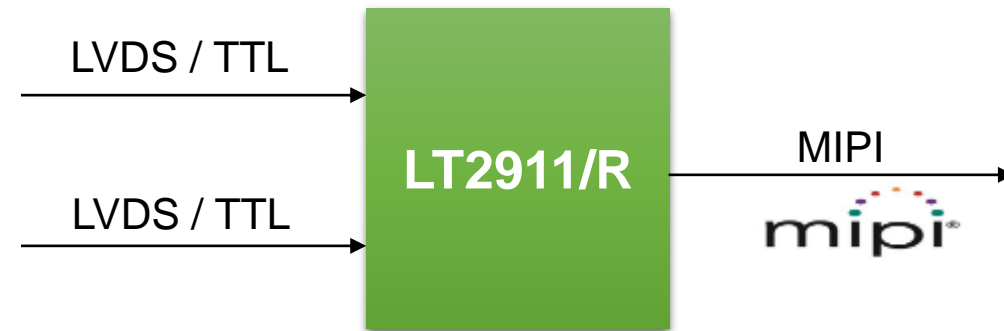
- Mobile systems
- Cellular handsets
- Digital video cameras
- Digital still cameras
- Tablet PC, Notebook PC
- Car Display and Camera System

LT2911/R 2port LVDS/TTL to MIPI With Rotation

Features :

- Support 3-bit maximum 10dB Input Equalization
- Frame Rate Convert support
- Input Data Lane and Polarity Swapping
- 80Mb/s~1.8Gb/s per data lane
- 1.8V Single Supply Power for LVDS Input
- 1.8V/3.3V Supply Power for TTL Input
- Support 100KHz / 400KHz I2C slave
- External 25MHz Crystal Reference Clock
- Temperature Range: -40°C ~ +85°C
- Packaged in BGA-144 7mmX7mm, QFN128 14mmX14mm

(**LT2911R with 90 degree rotation**)



Applications:

- Mobile systems
- Cellular handsets
- Digital video cameras
- Digital still cameras
- Tablet PC, Notebook PC
- Car Display and Camera System

LT9211/R MIPI to 2port LVDS/TTL With Rotation

Features :

- Support MIPI DSI/CSI Burst and Non-Burst Mode
- Frame Rate Convert support
- 80Mb/s~1.8Gb/s per data lane
- 1.8V Single Supply Power for LVDS Output
- 1.8V/3.3V Supply Power for TTL output
- Temperature Range: -40°C ~ +85°C
- Packaged in BGA-144 7mmX7mm, QFN128 14mmX14mm

(LT9211R with 90 degree rotation)



Applications:

- Mobile systems
- Camera systems
- Tablet PC, Notebook PC, Netbooks
- POS
- Advertising

LT89101R

MIPI/2port LVDS/TTL Repeater With Rotation



Features :

- Support 3-bit maximum 10dB Input Equalization
- Signal Re-driving without Data De-packetize
- Input Data Lane and Polarity Swapping
- 80Mb/s~1.8Gb/s per Data Lane for both Input and Output
- Supports Maximum Resolution 1080P@60Hz
- 90 degree rotation
- 1.8V Single Supply Power for LVDS Input/Output
- 1.8V/3.3V Supply Power for TTL Input/Output
- Support 100KHz / 400KHz I2C slave
- External 25MHz Crystal Reference Clock
- Temperature Range: -40°C ~ +85°C
- Packaged in BGA-144 7mmX7mm, QFN128 14mmX14mm



Applications:

- Mobile systems
- Home security systems
- Digital video cameras
- Digital still cameras
- Tablet PC, Notebook PC
- Car Display and Camera System

LT89101 MIPI CSI/DSI , LVDS Repeater

Features :

- Support 3-bit maximum 10dB Input Equalization
- Signal Re-driving without Data De-packetize
- Input Data Lane and Polarity Swapping
- 80Mb/s~1.5Gb/s per Data Lane for both Input and Output
- Supports Maximum Resolution 1080P@60Hz
- 1.8V Single Supply Power
- Support 100KHz / 400KHz I2C slave
- External 25MHz Crystal Reference Clock
- Temperature Range: -40°C ~ +85°C
- Packaged in QFN64 7.5mm x 7.5mm



Applications:

- Mobile systems
- Home security systems
- Digital video cameras
- Digital still cameras
- Tablet PC, Notebook PC
- Car Display and Camera System

LT89101L MIPI to LVDS Level Shifter

Features :

- Support 3-bit maximum 10dB Input Equalization
- Signal Re-driving without Data De-packetize
- Input Data Lane and Polarity Swapping
- 80Mb/s~2.5Gb/s per Data Lane for Both Input and Output
- 1.8V Single Supply Power
- Support 100KHz / 400KHz I2C slave
- External 25MHz Crystal Reference Clock
- Temperature Range: -40°C ~ +85°C
- Packaged in QFN64 7.5mm x 7.5mm



Applications:

- Mobile systems
- Home security systems
- Digital video cameras
- Digital still cameras
- Tablet PC, Notebook PC
- Car Display and Camera System
- Signal bridge in FPGA verification

LT8912/B MIPI to LVDS/HDMI With Scaler

Features :

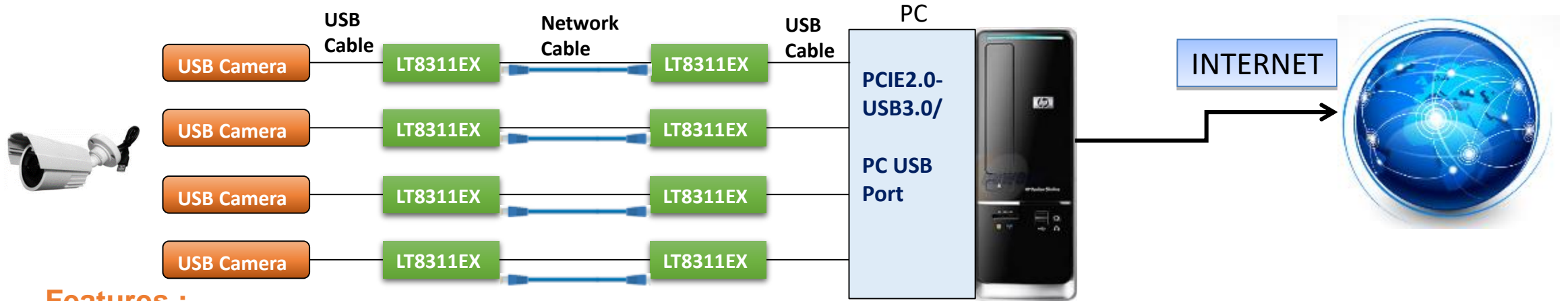
- Compliant with HDMI1.4
- Support MIPI DSI Non-Burst Mode(Continue Mode)



Applications:

- PAD with Calling Feature
- PAD/Tablet with eDP Panel
- Drone
- POS

LT8311EX For Surveillance Camera & KVM



Features :

- Easy installation, low cost
- Plug & play, no extra video sampling card
- USB self-powered, don't need extra power adapter
- Up to 8 cameras supported per computer
- All the IP camera features apply here
- Fit family, small office and stores well
- Remote Intelligent control with bi-directional USB interface
- Seamless integration with IP based security systems
- Allows a USB device to have its cable length extended up to 100M

LT8311EX can be installed on the camera PCB to reduce product size

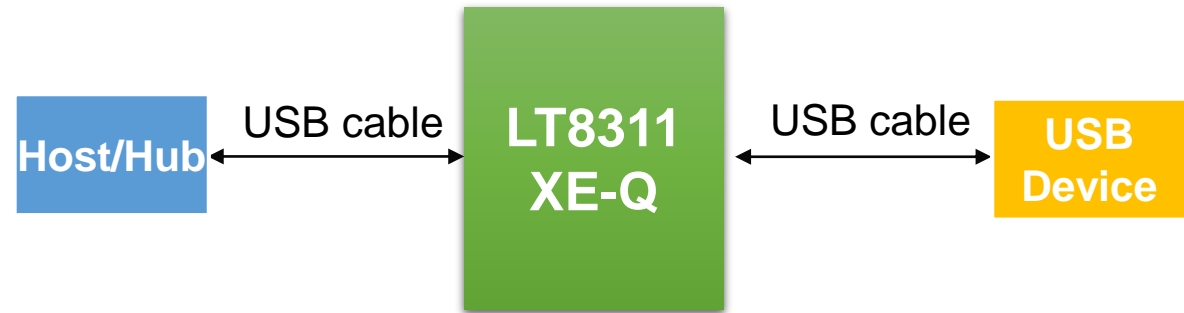
Applications:

- Surveillance
- KVM Extension

LT8311XE-Q USB2.0 Extender

Features :

- Single chip extension length up to 10m over USB cable
- Dual chip extension length up to 40m over Ethernet cable
- Supports USB2.0 high speed and USB1.1 full/low speed device
- Supports hot plug
- I2C control and external pin control mode for equalization adjustment
- Single 3.3V power supply
- 16 pin QFN 4mmx4mm package with Epad
- 40° C to 85° C operating temperature range
- ESD: HBM to 2kV



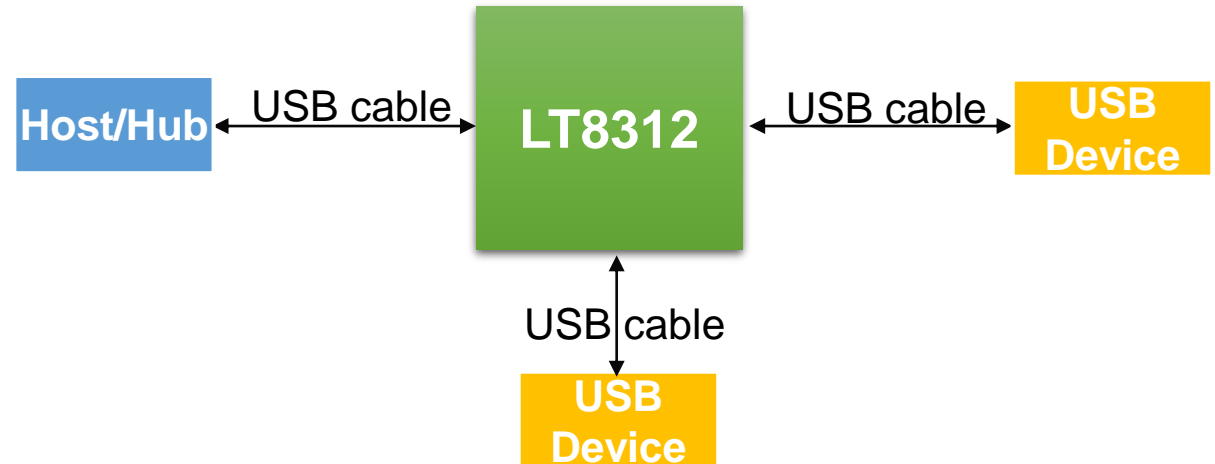
Applications:

- PC Motherboard
- Data storage system
- Servers and workstation
- Car system
- KVM system

LT8312 USB2.0 Extender with DeMUX

Features :

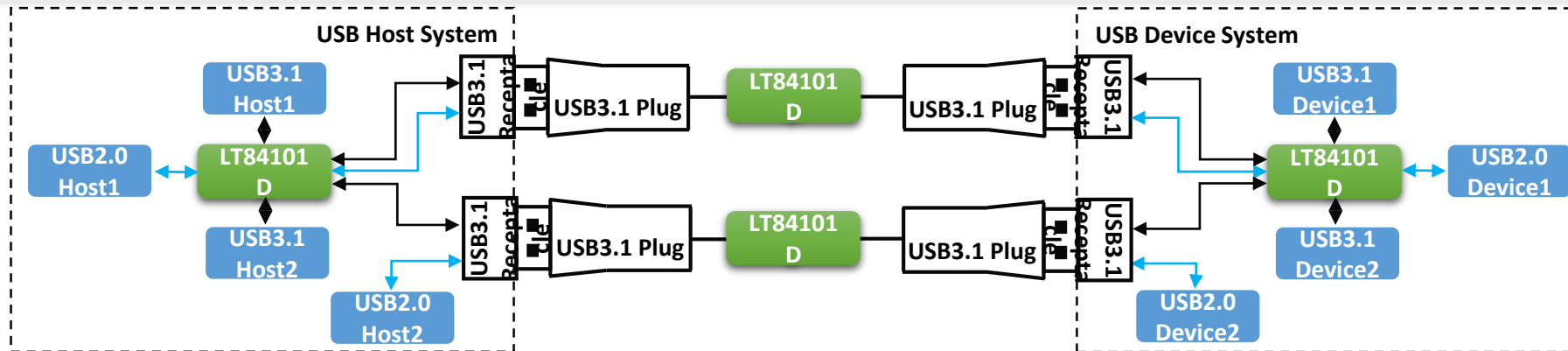
- One path for standard USB2.0 signal bypass and the other path for USB2.0 signal extension
- Extension length up to 10m over USB cable
- Supports USB2.0 high speed and USB1.1 full/low speed device
- Supports hot plug
- I2C control and external pin control mode for equalization adjustment
- Single 3.3V power supply
- 20 pin QFN 4mmx4mm package with Epad
- -40 °C to 85 °C operating temperature range
- ESD: HBM to 2kV



Applications:

- PC Motherboard
- Data storage system
- Servers and workstation
- Car system
- KVM system

LT84101D Dual-Port USB3.1 Re-driver



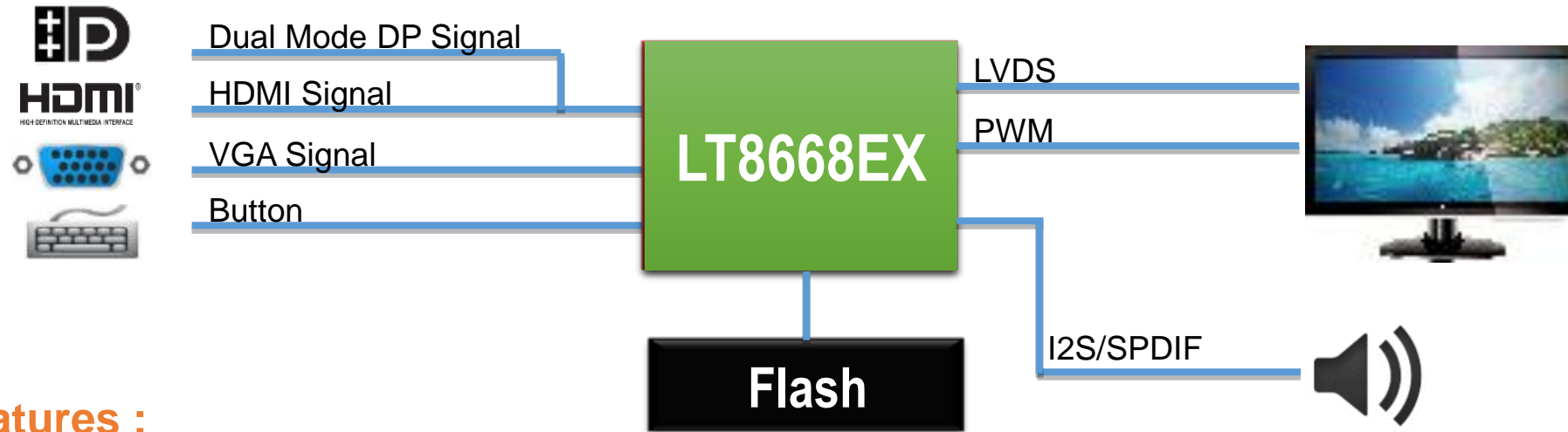
Features :

- Compatible with USB3.1 Gen-1 Specification
- Compatible with USB2.0 Specification
- Support 2-Port USB3.1 Gen-1 Operating
- Support Simultaneous Operating of Two Stand-alone Data Transfer with 5 Gb/s Data Rate for each USB3.1 Gen-1 Port
- Support One USB2.0 Port with 480 Mb/s Data Rate
- Supports LFPS Detect and Rx Detect for USB3.1 Gen-1
- Supports Squelch Detect for USB2.0
- Programmable Input Equalization
- Programmable Output Swing and De-emphasis
- Internal MCU and Flash for Online Firmware Upgrade
- Support External I2C Debug
- 1.8V/3.3V Dual Power Supply
- Packaged in 5mmx5mm QFN40

Applications:

- Smartphone, Tablet and Other Mobile Devices
- Digital TV and Data Storage
- VR/AR Helmet Display and Home Entertainment
- PC, Notebook, All-in-Ones Computer
- USB3.1 Cable Extender

LT8668EX LCD Controller



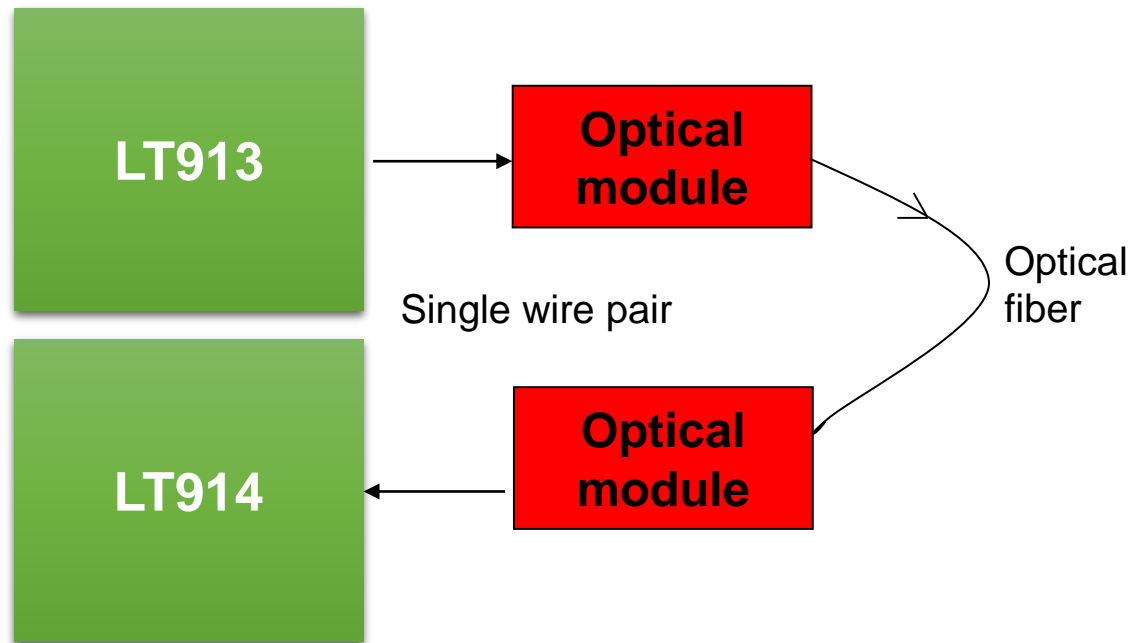
Features :

- Support HDMI 1.4 input with resolution up to 4Kx2K@30Hz
- Support 4-Port LVDS
- Support VGA resolution up to 1920x1200
- OSD, Scaler(4K and 2K resolution scaler bypass)
- Embedded MCU
- Support 8-channel I2S/SPDIF output
- PWM backlight control
- Quad LVDS channels support 4Kx2K panel

Applications:

- LCD monitor
- Smart TV

LT913/LT914 MIPI CSI/LVDS/RGB ↔ SERDES



Features :

- MIPI/LVDS/RGB to single wire pair
- Up to 1080P@60Hz resolution
- Up to 10M
- Support 2-channel switch

Applications:

- Car Rear Radar
- Medical Image Signal Repeating
- HDMI/MIPI Repeating by Optical Fiber

Signal Conversion Matrix

Parts in Black are in MP status, Parts in Red are in design status.

Converts to											
	RGB	LVDS	VGA	HDMI 1.4	HDMI 2.0	MIPI	Type-C	DP	eDP	BT656	BT1120
RGB				LT8618EXB LT8618SX		LT8918	LT8718	LT8718	LT8718		
LVDS		LT89101 LT89101R			LT2611UX LT2611UXC	LT8918L LT2911R LT2911			LT8911EX		
VGA	LT8668EX	LT8668EX	LT8522EX	LT8522EX LT8522X							
HDMI 1.4	LT8619B LT8619C LT8668EX	LT8619B LT8619C LT8668EX LT6211 LT6211B LT6211C	LT8612SX LT8511EX LT8522EX	LT8612X-M LT8612SX		LT8918H LT6911 LT6911B LT6911C	LT9721 LT86101HC	LT9721	LT9721	LT8819EX LT8619C	LT8819EX LT8619C
HDMI2.0		LT6211UX LT6211UXC LT8668SX			LT86121TX LT86121RX	LT6911UX LT6911UXC	LT9721EX	LT9721EX	LT9721EX		
MIPI		LT8912B LT89101L LT9211R LT9211		LT8912B LT9611	LT9611UX LT9611UXC	LT89101 LT89101R	LT9721 LT9711	LT9721 LT9711	LT9721 LT8911EXB LT9711		
Type-C		LT7211 LT7211B LT7211D LT8668SX	LT8711V LT8712 LT8712X LT8712SX LT8712EXI	LT8711H-C LT8712 LT86101CH	LT8711EH-C LT8711HE LT8711H-CE LT8711UX LT8712EXI LT8712X LT8712SX	LT7911 LT7911B LT7911D	LT87101C	LT87101CD LT8712SX	LT8712SX		
DisplayPort		LT7211 LT7211B LT7211D LT8711DL LT8668SX	LT8712X LT8711V	LT8711H-C LT8712	LT8711EH-C LT8711UX LT8711HE LT8712EXI LT8712SX LT8712X	LT7911 LT7911B LT7911D	LT87101DC	LT8712SX			
Dual Mode DP	LT8668EX LT8619B LT8619C	LT8668EX LT8619B LT8619C LT8668SX	LT8711	LT8611SX						LT8619C	LT8619C
BT656				LT8618EXB LT8618SX		LT8918	LT8718	LT8718	LT8718		
BT1120				LT8618EXB LT8618SX		LT8918	LT8718	LT8718	LT8718		

Converts from

Lontium Product List 2018 ()

ES = Engineering Sample; MP = Mass Production; EOL = End of Life

Item#	Series	Part Number	Status	Function Description	Input	Output	Comments	Package	Packing	MPQ
1	LCD Controller	LT8668EX	MP	LCD Controller	HDMI1.4/Dual Mode DP/VGA	4-Port LVDS/RGB+Audio	4K@30Hz/2K@60Hz Mode Scaler Bypass	LQFP128 14*20	Tray	720
2		LT8668SX	In Design	LCD Controller	Type-C/DP1.4/HDMI2.0	LVDS/MIPI/V-by-one	4K@60Hz with Scaler	TBD	TBD	TBD
3		LT2911R	In Design	2 port LVDS / TTL to MIPI	2 port LVDS / TTL	MIPI CSI/DSI	90 degree rotation	BGA144 7*7 QFN128 14*14	TBD	TBD
4		LT9211R	In Design	MIPI CSI/DSI to 2-Port LVDS / TTL	MIPI CSI/DSI	2-port LVDS / TTL	90 degree rotation	BGA144 7*7 QFN128 14*14	TBD	TBD
5	USB	LT8311	EOL	USB2.0 Extender	USB2.0	2 Differential Pairs	Extend USB Signal up to 80 meters via ethernet cable, no extra driver required, support hot plug	TSSOP16	Tube	4,800
6		LT8311EX	MP	USB2.0 Extender	USB2.0	2 Differential Pairs	Extend USB Signal up to 100 meters via ethernet cable, no extra driver required, support hot plug	TSSOP20	Tube	3,750
7		LT8311X	MP	USB2.0 Extender	USB2.0	USB2.0	Extend USB 2.0 Signal up to 15 meters via usb cable, no extra driver required, support hot plug	TSSOP20	Tube	3,750
8		LT8311X-Q	MP	USB2.0 Extender	USB2.0	USB2.0	Extend USB 2.0 Signal up to 15 meters via usb cable, no extra driver required, support hot plug	QFN16 4*4	Tray	4,900
9		LT8311XE-Q	MP	USB2.0 Extender	USB2.0	USB2.0	upgrade version of LT8311X-Q	QFN16 4*4 with EPAD	Tray	4,900
10		LT8312	MP	USB2.0 Extender with DeMUX	USB2.0	USB2.0	1-port USB2.0 input, 2-port USB2.0 output, one output for USB2.0 bypass, one output for USB2.0 extender	QFN20 4*4 with EPAD	Tray	4,900
11		LT84101D	MP	Dual channel USB 2.0/3.1 Extender	USB2.0/USB3.1	USB2.0/USB3.1	Dual USB3.1 Port, One USB2.0 Port	QFN40 5*5	Tray	4900
12	HDMI Receiver	LT8619	MP	HDMI1.4 Receiver	HDMI1.4	RGB 24-Bit + Audio	MCU Inside, with Scaler	TQFP100 14*14	Tray	900
13		LT8619B	MP	HDMI1.4Receiver	HDMI1.4	RGB 24-Bit/2 Port LVDS + Audio	MCU Inside, with Scaler	QFN76 9*9	Tray	2,600
14		LT8619C	MP	HDMI1.4/Dual Mode DP Receiver	HDMI1.4/Dual Mode DP	RGB/LVDS/BT656/BT1120+Audio	Single/Dual Port LVDS output, Digital Audio Output	QFN76 9*9	Tray	2,600
15		LT6211	MP	HDMI1.4/Dual Mode DP Receiver	HDMI1.4/Dual Mode DP	4-Port LVDS	MCU inside,3D splitter support, Type-C HDMI Alt-Mode support	QFN128 14*14	Tray	1,190
16		LT6211B	MP	HDMI1.4/Dual Mode DP Receiver	HDMI1.4/Dual Mode DP	4-Port LVDS	MCU inside,3D splitter support, Type-C HDMI Alt-Mode support	BGA144 7*7	Tray	2,600
17		LT6211C	MP	HDMI1.4/Dual Mode DP Receiver	HDMI1.4/Dual Mode DP	2-Port LVDS	MCU inside,3D splitter support, Type-C HDMI Alt-Mode support	QFN64 7.5*7.5	Tray	1,190
18		LT8819	EOL	HDMI1.4 Receiver	HDMI1.4	BT656 + Audio	480P/576P	QFN64 9*9	Tray	2,600
19		LT8819EX	MP	HDMI1.4 Receiver	HDMI1.4	BT656/BT1120+ Audio	Up to 1080P@60Hz	QFN64 9*9	Tray	2,600
20		LT6911UX	In Design	HDMI2.0 Receiver	HDMI2.0	4-Port MIPI CSI/DSI	Up to 4K@60Hz, DSC1.2 compliant	QFN128 14*14	TBD	TBD
21		LT6911UXC	In Design	HDMI2.0 Receiver	HDMI2.0	2-Port MIPI CSI/DSI	Up to 4K@60Hz, DSC1.2 compliant	QFN64 7.5*7.5	TBD	TBD
22		LT6211UX	In Design	HDMI2.0 Receiver	HDMI2.0	4-Port LVDS	Up to 4K@60Hz	QFN128 14*14	TBD	TBD
23	LT6211UXC	In Design	HDMI2.0 Receiver	HDMI2.0	2-Port LVDS	Up to 4K@30Hz	QFN64 7.5*7.5	TBD	TBD	

24	HDMI Transmitter	LT8618LP	EOL	HDMI1.3 Transmitter	TTL(RGB/YCbCr/BT656/BT1 120 16-bit)	HDMI1.3	Up to 1080P@60Hz	LQFP80 10*10	Tray	1,600	
25		LT8618M	EOL	HDMI1.3 Transmitter	TTL(RGB/YCbCr/BT656/BT1 120 16-bit)	HDMI1.3	Up to 1080P@60Hz	QFN64 9*9	Tray	2,600	
26		LT8618EXA	MP	HDMI1.4 Transmitter	TTL(RGB/YCbCr/BT656/BT1 120 16-bit)	HDMI1.4	Up to 4K@30Hz	LQFP80 12*12	Tray	1,190	
27		LT8618EXB	MP	HDMI1.4 Transmitter	TTL(RGB/YCbCr/BT656/BT1 120 16-bit)	HDMI1.4	Up to 4K@30Hz	QFN64 9*9	Tape & Reel	2,600	
28		LT8618SXA	MP	HDMI1.4 Transmitter	TTL(RGB/YCbCr/BT656/BT1 120)	HDMI1.4	Upgrade version of LT8618EXA	LQFP80 12*12	Tray	1,190	
29		LT8618SXB	MP	HDMI1.4 Transmitter	TTL(RGB/YCbCr/BT656/BT1 120)	HDMI1.4	Upgrade version of LT8618EXB	QFN64 9*9	Tape & Reel	3,000	
30		LT8618SXC	MP	HDMI1.4 Transmitter	TTL(RGB/YCbCr/BT656/BT1 120)	HDMI1.4	Upgrade version of LT8618EXB	QFN64 7.5*7.5	Tape	2,600	
31		LT9611	MP	HDMI1.4 transmitter	2-Port MIPI CSI/DSI	HDMI1.4	4K@30Hz,HDCP,and 8 Channel I2S/SPDIF Audio	QFN64 7.5*7.5	Tray	2,600	
32		LT9611UX	In Design	HDMI2.0 Transmitter	2-Port MIPI CSI/DSI with input switch	HDMI2.0	Up to 4K@60Hz , DSC1.2 Compliant	QFN100 14*14	TBD	TBD	
33		LT9611UXC	In Design	HDMI2.0 Transmitter	2-Port MIPI CSI/DSI	HDMI2.0	Up to 4K@60Hz , DSC1.2 Compliant	QFN64 7.5*7.5	TBD	TBD	
34		LT2611UX	In Design	HDMI2.0 Transmitter	4-Port LVDS	HDMI2.0	Up to 4K@60Hz	QFN100 14*14	TBD	TBD	
35		LT2611UXC	In Design	HDMI2.0 Transmitter	2-Port LVDS	HDMI2.0	Up to 4K@30Hz	QFN64 7.5*7.5	TBD	TBD	
36		HDMI Converter	LT8511A	MP	HDMI to VGA Converter	HDMI1.3/DVI	VGA + Audio	Up to 1920x1200@60Hz,Pixel Clock 154MHz	QFN64 9*9	Tape & Reel	2,600
37			LT8511A-M	MP	HDMI to VGA Converter	HDMI1.3/DVI	VGA + Audio	Up to 1920x1200@60Hz,Pixel Clock 154MHz,MCU Inside	QFN64 9*9	Tray	2,600
38			LT8511EX	MP	HDMI to VGA Converter	HDMI1.4/DVI	VGA/YPbPr + Audio	Up to 1920x1200@60Hz, Pixel Clock 193.25MHz, Low Power	QFN64 9*9	Tape & Reel	2,600
39	LT8522EX		MP	HDMI & VGA 2*2 Converter	HDMI1.4 + VGA	HDMI1.4 + VGA	VGA and HDMI 2*2 Crossing Converter,HDMI1.4	TQFP100 14*14	Tray	900	
40	LT8522X		MP	VGA to HDMI Converter	VGA + Audio	HDMI1.4		QFN64 9*9	Tray	2,600	
41	LT8812		EOL	MHL to HDMI/RGB Converter	MHL1.2	HDMI1.3 + VGA/YPbPr + Audio		QFN64 9*9	Tray	2,600	
42	LT8612		EOL	HDMI to HDMI + VGA Converter	HDMI 1.3	HDMI1.3 + VGA/YPbPr + Audio	Support HDMI and VGA Output simultaneously	LQFP80 12*12	Tray	1,190	
43	LT8612EX		MP	HDMI to HDMI & VGA Converter	HDMI 1.4	HDMI1.4 + VGA/YPbPr + Audio	Support HDMI and VGA Output simultaneously	LQFP80 12*12	Tray	1,190	
44	LT8612X-M		MP	HDMI to HDMI + VGA Converter with MCU in Package	HDMI1.4	HDMI1.4 + VGA/YPbPr	Support HDMI and VGA Output simultaneously, MCU Inside	QFN76 9*9	Tape & Reel	2,600	
45	LT8612SX		MP	HDMI to HDMI & VGA Converter	HDMI 1.4	HDMI1.4 + VGA/YPbPr + Audio	Upgrade version of LT8612EX	LQFP80 12*12	Tray	1,190	
46	HDMI Extender	LT86101EX	EOL	HDMI Extender	HDMI1.3	HDMI1.3		QFN48 7*7	Tray	2600	
47		LT86101SX	MP	HDMI Extender	HDMI1.4	HDMI1.4	1080P@60Hz,HDCP,Extend 50 Meters by AWG26 HDMI Cable/CAT5e Network Cable, Cascade to 100 Meters	QFN48 7*7	Tray	2600	
48		LT86101UX	MP	HDMI Extender	HDMI1.4	HDMI1.4	4K@30Hz,HDCP,Extend 25 Meters by AWG26 HDMI Cable, or CAT5e Network Cable Extend 15 Meters	QFN48 7*7	Tray	2600	
49		LT86101UXE	MP	HDMI Extender	HDMI2.0	HDMI2.0	Upgrade version of LT86101UX	QFN64 7.5*7.5	Tray	2600	
50		LT8621SXE-M	MP	HDMI Extender	HDMI2.0(YCbCr4:2:0)	HDMI2.0(YCbCr4:2:0)	4K@30Hz, 4K@60Hz(YCbCr4:2:0), Support HDCP, MCU Integrated, Extend 30 Meters via AWG#26 HDMI Cable, Support Cascade for 60 Meters Extension	QFN76 9*9	Tray	2,600	
51		LT86101X	In Design	HDMI Re-driver	HDMI1.4/HDMI2.0	HDMI1.4/HDMI2.0	Support HDMI1.4/HDMI2.0 with up to 6Gb/s data rate	QFN40 5*5	Tape	4,900	
52		LT86121TX/RX	In Design	HDMI2.0 Repeater	HDMI2.0	HDMI2.0	HDMI2.0 repeater chipset supporting HDCP1.4/HDCP2.2 and DSC1.2	QFN76 9*9	TBD	TBD	

53	HDMI Splitter	LT86102EX	EOL	HDMI 1 to 2	HDMI1.3	HDMI1.3	1080P@60Hz,HDCP,extend 15 meters	LQFP80 12*12	Tray	1,190
54		LT86102SX	MP	HDMI 1 to 2	HDMI1.4	HDMI1.4	4K@30Hz, HDCP, extend to 15 meters	LQFP80 12*12	Tray	1,190
55		LT86102SXE	MP	HDMI 1 to 2	HDMI1.4	HDMI1.4	Upgrade version of LT86102SX	LQFP80 12*12	Tray	1,190
56		LT86102UX	MP	HDMI 1 to 2	HDMI2.0	HDMI2.0	4K@60Hz,Extend to 10 Meters	TQFP100 14*14	Tray	900
57		LT86104	EOL	HDMI 1 to 4	HDMI1.3	HDMI1.3	1080P@60Hz, extend to 15 meters	LQFP128	Tray	720
58		LT86104EX	EOL	HDMI 1 to 4	HDMI1.3	HDMI1.3	1080P@60Hz, HDCP, extend to 15 meters	LQFP128 EPAD	Tray	720
59		LT86104SX	MP	HDMI 1 to 4	HDMI1.4	HDMI1.4	4K@30Hz, HDCP,extend to 15 meters	LQFP128 EPAD	Tray	720
60		LT86104SXE	MP	HDMI 1 to 4	HDMI1.4	HDMI1.4	Upgrade version of LT86104SX	LQFP128 EPAD	Tray	720
61		LT86104NX	MP	HDMI 1 to 4	HDMI1.4	HDMI1.4	4K@30Hz, No HDCP, extend to 15 meters	LQFP128 EPAD	Tray	720
62		LT86104UX	MP	HDMI 1 to 4	HDMI2.0	HDMI2.0	4K@60Hz, extend 20 meter via AWG#26 HDMI cable, or extend 15 meters via CAT5e ethernet cable	BGA144 10*10 LQFP128 14*14 QFN128 14*14	Tray Tray	900 1900
63	HDMI Switch	LT8631SX	MP	HDMI 3 to 1	HDMI1.4	HDMI1.4	4K@30Hz Resolution, HDCP	QFN64 9*9	Tape & Reel	3,000
64		LT8641EX	EOL	HDMI 4 to 1	HDMI1.3	HDMI1.3+Audio	1080P@60Hz,HDCP,12-Bit Deep Color, Fast Switching, and 8 Channel I2S/SPDIF Audio	LQFP100 14*14	Tray	900
65		LT8641SX	MP	HDMI 4 to 1	HDMI1.4	HDMI1.4+Audio	4K@30Hz, HDCP,12-Bit Deep Color, Fast Switching, and 8 Channel I2S/SPDIF Audio	TQFP100 14*14 EPAD	Tray	900
66		LT8641SXE	MP	HDMI 4 to 1	HDMI1.4	HDMI1.4+Audio	Upgrade version of LT8641SX	TQFP100 14*14 EPAD	Tray	900
67		LT8641UX	MP	HDMI 4 to 1	HDMI2.0	HDMI2.0	4K@60Hz,12-Bit Deep Color, Fast Switching	BGA144 10*10 QFN128 14*14	Tray Tray	1840 1190
68		LT8631UX	MP	HDMI 3 to1	HDMI2.0	HDMI2.0	4K@60Hz, HDCP1.4/2.2, Low Power	QFN64 9*9	Tray	2,600
69	HDMI Matrix	LT8644	MP	HDMI Matrix	16 Differential signal pairs	16 Differential signal pairs	Support up to 4K@30Hz Resolution Arbitrary Switching	TQFP100 14*14	Tray	900
70	DP Converter	LT8611A	EOL	Dual Mode DP to HDMI/DVI Level Shifter	Dual Mode DP	HDMI1.3/DVI		QFN48 7*7	Tape & Reel	3,000
71		LT8611SXA	MP	Dual Mode DP to HDMI/DVI Level Shifter	Dual Mode DP	HDMI2.0(YCbCr4:2:0)/DVI	Compliant with VESA Dual Mode DisplayPort Standard, Version 1, for Type 2 Cable Adaptor Applications	QFN48 7*7	Tape & Reel	3,000
72		LT8611SXB	MP	Dual Mode DP to HDMI/DVI Level Shifter	Dual Mode DP	HDMI2.0(YCbCr4:2:0)/DVI	Compliant with VESA Dual Mode DisplayPort Standard, Version 1, for Type 2 Cable Adaptor Applications	QFN48 7*7	Tape & Reel	3,000
73		LT8611SX	MP	Dual Mode DP to HDMI/DVI Level Shifter	Dual Mode DP	HDMI2.0(YCbCr4:2:0)/DVI	Compliant with VESA Dual Mode DisplayPort Standard, Version 1, for Type 2 Cable Adaptor Applications	QFN40 5*5	Tape & Reel	3,000
74		LT8611SXD	MP	Dual Mode DP to HDMI/DVI Level Shifter	Dual Mode DP	HDMI2.0(YCbCr4:2:0)/DVI	Compliant with VESA Dual Mode DisplayPort Standard, Version 1, for Type 2 Cable Adaptor Applications	QFN32 3*6	Tape & Reel	5,000
75		LT8711	MP	Dual Mode DP to VGA	Dual Mode DP	VGA + Audio	Support HDCP	QFN64 9*9	Tape & Reel	2,600
76		LT87101	MP	DP1.2 Repeater	DP1.2	DP1.2	DP1.2 Re-driver with up to 5.4Gb/s data rate	QFN40 5*5	Tray	4,900

77		LT8711X-B	MP	Type-C/DP to VGA+Audio	Type-C/DP1.2	VGA + Audio	HDCP1.3(DP), MCU embedded	QFN64 7.5*7.5	Tray	2,600
78		LT8711V	MP	Type-C/DP1.2 to VGA Converter with Audio	Type-C/DP1.2/eDP1.4	VGA+Audio	Integrated CC, QC, MCU, BB, support audio output	QFN48 6*6	Tape & Reel	4,900
79		LT8711H-C	MP	Type-C/DP to HDMI1.4	Type-C/DP1.2	HDMI1.4	HDCP1.3(DP), HDCP1.4(HDMI), support PD Controller, MCU embedded,	QFN64 7.5*7.5	Tray	2,600
80		LT8711H-CE	MP	Type-C/DP to HDMI2.0	Type-C/DP1.2	HDMI2.0	Support PD Controller/Swift Charge, MCU embedded, PIN TO PIN with LT8711H-C/LT8711EH-C	QFN64 7.5*7.5	Tray	2,600
81		LT8711EH-C	MP	Type-C/DP to HDMI2.0	Type-C/DP1.2	HDMI2.0	HDCP1.3(DP), HDCP2.2/1.4(HDMI), MCU embedded, support PD Controller	QFN64 7.5*7.5	Tray	2,600
82		LT8711UX	MP	Type-C/DP to HDMI2.0+Audio+USB3.0 Switch	Type-C/DP1.2	HDMI2.0+Audio+USB3.0 Switch	HDCP1.3(DP), HDCP2.2/1.4(HDMI), Support PD controller, MCU embedded	QFN88 10*10	Tray	1,680
83		LT8711HE	MP	Type-C/DP to HDMI 2.0	Type-C/DP1.2	HDMI2.0	Support PD Controller/Swift Charge /Billboard/U2 Switch with 2*CC	QFN64 7.5*7.5	Tray	2,600
84		LT8712EXI	MP	Type-C/DP to HDMI2.0*2+VGA+Audio	Type-C/DP1.2	HDMI2.0*2+VGA+Audio	Support MST,PD Controller with 2*CC, Compliant with HDCP, MCU embedded	QFN128 14*14	Tray	1,190
85		LT8712SX	In Design	Type-C(DP1.2) to HDMI2.0 + DP1.2/eDP +VGA	Type-C/DP1.2	HDMI2.0 + DP1.2/eDP +VGA	MST and HDCP1.3(DP), HDCP2.2/1.4(HDMI), MCU embedded	TBD	Tray	900
86		LT8712X	MP	Type-C/DP1.2 to HDMI2.0 and VGA Converter with Audio	Type-C/DP1.2	HDMI2.0 + VGA + Audio	MCU embedded	QFN76 9*9	Tray	2,600
87		LT8712	MP	Type-C/DP to HDMI1.4*2+VGA+Audio	Type-C/DP1.2	HDMI1.4*2+VGA+Audio	PD Controller, Compliant with HDCP, MCU embedded	LQFP128 14*14	Tray	900
88	Type-C/DP Converter	LT9721	MP	HDMI/MIPI to Type-C/DP/eDP Converter with CC and PD Controller ,USB3.1 switch	HDMI/MIPI DSI	DP 1.2/eDP/Type-C	Resolution up to 4Kx2K@30Hz for RGB Resolution up to 4Kx2K@60Hz for YCbCr4:2:0	QFN64 7.5*7.5	Tray	2,600
89		LT9721EX	In Design	HDMI2.0 to Type-C(DP1.2/eDP) converter with CC and PD Controller, USB3.1 switch	HDMI2.0+USB3.1	DP 1.2/eDP//Type-C	HDMI2.0 receiver up to 4K@60Hz , DP 1.2 Transmitter up to 4Kx2K@60Hz, support PD charge	QFN64 7.5*7.5	TBD	TBD
90		LT9711	In Design	2-Port MIPI DSI/CSI-2 to Type-C (DP1.2/eDP) with USB3.1 switch	2-Port MIPI DSI/CSI-2 +USB3.1+Audio	DP 1.2/eDP/Type-C	2-Port MIPI DSI/CSI-2 receiver up to 4K@60Hz, DP 1.2 Transmitter up to 4Kx2K@60Hz, support PD charge	QFN76 9*9	Tray	TBD
91		LT8718	MP	TTL to Type-C/DP/eDP Converter with CC and PD Controller	TTL(RGB/YCbCr/BT656/BT1120)	DP 1.2/eDP/Type-C	Resolution up to 4Kx2K@30Hz for RGB Resolution up to 4Kx2K@60Hz for YCbCr4:2:0	QFN88 10*10	Tray	1,680
92		LT7211	MP	Type-C/DP to 4-port LVDS	Type-C/DP1.2	4-Port LVDS	MCU inside,3D splitter support	QFN128 14*14	Tray	1,190
93		LT7211B	MP	Type-C/DP to 4-port LVDS	Type-C/DP1.2	4-Port LVDS	MCU inside,3D splitter support	BGA144 7*7	Tray	2,600
94		LT7211D	MP	Type-C/DP to 2-port LVDS	Type-C/DP1.2	2-Port LVDS	MCU inside,3D splitter support	QFN64 7.5*7.5	Tray	2,600
95		LT87101C	MP	Type-C Repeater	Type-C	Type-C	DP1.2/HDMI1.4b Alt Mode, USB3.1 Gen-1, USB2.0, USB PD2.0	QFN40 5*5	Tray	4,900
96		LT87101CD	MP	Type-C to DP	Type-C	DP1.2	DP Alt Mode, USB PD2.0	QFN40 5*5	Tray	4,900
97		LT87101DC	MP	DP to Type-C	DP1.2	Type-C	DP Alt Mode, USB PD2.0	QFN40 5*5	Tray	4,900
98		LT8400C	In Design	e-Marker Chip for USB Type-C Cable	Type-C	Type-C	Support CC Logic and USB PD2.0, Internal MCU and Flash	QFN40 5*5	Tray	4,900
99		LT86101CH	MP	Type-C to HDMI	Type-C	HDMI1.4b	HDMI1.4b Alt Mode, USB PD2.0	QFN40 5*5	Tray	4,900
100		LT86101HC	MP	HDMI to Type-C	HDMI1.4b	Type-C	HDMI1.4b Alt Mode, USB PD2.0	QFN40 5*5	Tray	4,900

101		LT8911	MP	2-Port LVDS to eDP	2-Port LVDS	eDP		QFN64 9*9	Tray	2,600
102		LT8911EX	In Design	2-Port LVDS to eDP	2-Port LVDS	eDP		QFN64 9*9	Tray	2,600
103		LT8911B	MP	1-Port MIPI DSI to eDP	1-Port MIPI DSI	eDP		QFN48 6*6	Tray	4,900
104		LT8911EXB	In Design	1 port MIPI DSI to DP/eDP	1-Port MIPI DSI	DP/eDP		QFN48 6*6	Tray	4,900
105		LT8912	MP	MIPI DSI to HDMI+LVDS	MIPI DSI	LVDS + HDMI1.4	HDMI1.4 Transmitter NO HDCP 1 Port LVDS Output with HDMI simultaneously	LQFP80 12*12	Tray	1,190
106		LT8912B	MP	MIPI DSI to HDMI+LVDS	MIPI DSI	LVDS + HDMI1.4	HDMI1.4Transmitter, NO HDCP 1 Port LVDS Output with HDMI simultaneously	QFN64 7.5*7.5	Tape & Reel	3,000
107		LT8922	EOL	2 Port LVDS/MIPI to eDP + HDMI Converter	2 Port LVDS/MIPI DSI	eDP Port + HDMI1.4	HDMI1.4 Transmitter, NO HDCP eDP Port for Panel Driving and Extend a HDMI Transmitter Port	QFN88 10*10	Tray	1,680
108		LT8218	EOL	LVDS Transmitter	RGB 24-bit	1 Port LVDS	Up to 1080P	TSSOP56 6*14	Tape & Reel	2,500
109		LT9211	In Design	MIPI CSI/DSI to 2-Port LVDS / TTL	MIPI CSI/DSI	2-Port LVDS /TTL	Up to 1080P	QFN64 7.5*7.5	TBD	TBD
110		LT2911	In Design	2 port LVDS / TTL to MIPI	2 port LVDS / TTL	MIPI CSI/DSI		QFN64 7.5*7.5	TBD	TBD
111		LT8918	MP	RGB/BT656/BT1120 to MIPI CSI/DSI	TTL(RGB/BT656/BT1120)	1-Port MIPI CSI/DSI	Single Port MIPI CSI/DSI Transmitter with up to 1080P resolution	QFN64 7.5*7.5	Tray	2,600
112	MIPI/LVDS Converter	LT8918L	MP	LVDS to MIPI CSI/DSI	LVDS	1-Port MIPI CSI/DSI	DeSSC, 1080P	QFN64 7.5*7.5	Tray	2,600
113		LT8918H	MP	HDMI/Dual Mode DP to MIPI CSI/DSI	HDMI1.4/Dual Mode DP	1-Port MIPI CSI/DSI	Single Port MIPI CSI/DSI Transmitter with up to 1080P resolution	BGA102 9.45*5.8	Tray	2,080
114		LT6911	MP	HDMI1.4 to 4-Port MIPI CSI/DSI	HDMI1.4/Dual Mode DP	4-Port MIPI CSI/DSI	Type-C HDMI Alt Mode,MCU inside,3D splitter support	QFN128 14*14	Tray	1,190
115		LT6911B	MP	HDMI1.4 to 4-Port MIPI CSI/DSI	HDMI1.4/Dual Mode DP	4-Port MIPI CSI/DSI	Type-C HDMI Alt Mode,MCU inside,3D splitter support	BGA144 7*7	Tray	2,600
116		LT6911C	MP	HDMI1.4 to 2-Port MIPI CSI/DSI	HDMI1.4/Dual Mode DP	2-Port MIPI CSI/DSI	Type-C HDMI Alt Mode,MCU inside,3D splitter support	QFN64 7.5*7.5	Tray	2,600
117		LT7911	MP	Type-C/DP to 4-Port MIPI CSI/DSI	Type-C/DP1.2	4-Port MIPI CSI/DSI	DP1.2 input with Type-C support Support HDCP1.3, MCU inside,3D splitter support	QFN128 14*14	Tray	1,190
118		LT7911B	MP	Type-C/DP to 4-Port MIPI CSI/DSI	Type-C/DP1.2	4-Port MIPI CSI/DSI	DP1.2 input with Type-C support Support HDCP1.3, MCU inside,3D splitter support	BGA144 7*7	Tray	2,600
119		LT7911D	MP	Type-C/DP to Dual-Port MIPI DSI/CSI-2	Type-C/DP	2-Port MIPI DSI/CSI-2	Type-C/DP1.2 to Dual-Port MIPI DSI/CSI-2	QFN64 7.5*7.5	Tray	2,600
120		LT89101	MP	MIPI CSI/DSI/LVDS Repeater	MIPI CSI/DSI/LVDS	1-Port MIPI CSI/DSI/LVDS	Up to 1080P	QFN64 7.5*7.5	Tray	2,600
121		LT89101R	In Design	MIPI / 2 port LVDS / TTL repeater with Rotation	MIPI / 2 port LVDS / TTL	MIPI / 2 port LVDS / TTL	90 degree rotation	BGA-144/QFN128	TBD	TBD
122		LT89101L	MP	MIPI to LVDS Level Shifter	MIPI CSI/DSI	LVDS	Up to 1080P	QFN64 7.5*7.5	Tray	2,600
123		LT89102	In Design	MIPI/LVDS 1:2 Splitter	MIPI CSI/DSI/LVDS	MIPI CSI/DSI/LVDS	Up to 1080P MIPI/LVDS 1:2 Splitter	QFN64 7.5*7.5	Tray	2,600
124		LT8921	In Design	MIPI/LVDS 2:1 MUX	MIPI CSI/DSI/LVDS	MIPI CSI/DSI/LVDS	Up to 1080P MIPI/LVDS 2:1 Mux	QFN64 7.5*7.5	Tray	2,600

We Produce Mix-Signal Product for a better digital World



VR
3D
360°

LT7211/C, LT6211/C:
TYPE C / DP, HDMI TO LVDS PANELS FOR VR/AR APPLICATIONS
LT7911/C, LT6911/C:
TYPE C / DP, HDMI TO MIPI PANELS FOR VR/AR APPLICATIONS

WE PRODUCE
MIXED-SIGNAL PRODUCTS
FOR A BETTER DIGITAL WORLD

