



## Scion/Subaru/Toyota 1981-2017

### KIT FEATURES

- DIN radio provision with pocket (\*) / ISO DIN radio provision with pocket (\*)
- ISO DDIN radio provision (\*)

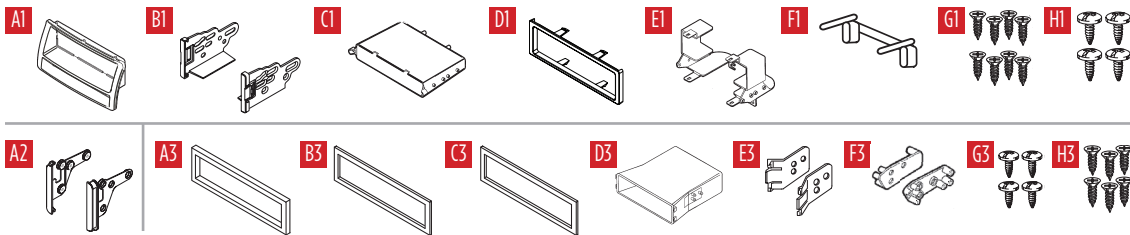
(\*) Select applications

### INTRODUCTION

- The WM-TYK01 includes three different kits in one package to cover a broad range of vehicles. Use the **Application Overview** on page 2 to reference which kit to use, and also which instruction pages to follow. Each section is setup as a chapter with its own table of contents.

### KIT COMPONENTS

- A1) Radio housing • B1) ISO brackets • C1) Pocket • D1) Trim plate • E1) Mounting bracket • F1) Rear support bracket • G1) #6 x 1/4" screws (8) • H1) #8 x 3/8" screws (4)
- A2) ISO DDIN trim plate brackets
- A3) Face plate #1 • B3) Face plate #2 • C3) Face plate #3 • D3) Pocket • E3) Brackets #1 • F3) Brackets #2 • G3) #8 x 1/4" screws (4) • H3) #6 x 1/4" flat head screws (6)



### TABLE OF CONTENTS

Application Overview .....	2
Kit (a) .....	3-5
Kit (b) .....	6-23
Kit (c) .....	24-26

### WIRING & ANTENNA CONNECTIONS (sold separately)

Wiring Harness: Please visit [metrafits.com](http://metrafits.com) for wiring harness options

Antenna Adapter: Please visit [metrafits.com](http://metrafits.com) for antenna adapter options

### TOOLS REQUIRED

- Phillips screwdriver • Cutting tool • Torx # 20
- Socket wrench set • Panel removal tool

**Attention!** Let the vehicle sit with the key out of the ignition for a few minutes before removing the factory radio. When testing the aftermarket equipment, ensure that all factory equipment is connected before cycling the key to ignition.

# APPLICATION OVERVIEW

## Kit (a): Pages 3-19

**Toyota**  
Corolla

2003-2008

## Kit (b): Pages 20-23

**Toyota**

Rav-4 2001-2005  
MR2 Spyder 2000-2005  
Celica 2000-2005  
Echo 2000-2005  
Highlander (w/o factory NAV) 2001-2007  
Matrix 2005-2008  
Matrix (with factory NAV) 2009-2010  
4 Runner (excluding limited) 2003-2009  
Tundra 2003-2006  
Sequoia 2003-2007  
FJ Cruiser 2007-2014  
Yaris (w/o power package) 2007-2011  
Yaris 2012-2017

**Scion**

FR-S 2013-2016  
iQ 2012-2015  
tC 2005-2016  
xA 2004-2006  
xB 2004-2015  
xD 2008-2014

**Subaru**

BRZ 2013-2015  
Forester (with SD based NAV) 2009-2013

## Kit (c): Pages 20-23

**Ford**

Mustang 1994-2000

**Infiniti**

G20 1999-2002  
G20 1991-1996  
J30 1993-1997  
M30 1990-1992  
Q45 1990-2001

**Lexus**

ES250 1990-1991

**Mazda**

626 1993-2000  
929 1992-1995  
MX3 1992-1996  
MX6 1993-1997  
Protege 1995-2000  
RX-7 1993-1995

**Nissan**

\*All models equipped with stack systems except the Quest.

**Saab**

9-5 1999-2009  
9-3 1999-2002

**Toyota**

4-Runner 1984-2002  
Avalon 1995-1999  
Camry 1983-2001  
Celica 1982-1999  
Corolla 1984-1997  
Cressida 1981-1992  
Landcruiser 1988-2002  
MR2 1985-1995  
Paseo 1992-1997  
Pickup 1984-1995  
Previa 1991-1997  
Rav 4 1996-2000  
Sequoia 2001-2002

**Toyota (Cont)**

Sienna 1996-2003  
Solara 1999-2003  
Supra 1983-1998  
Supra 1994-1998  
T100 1993-1998  
Tacoma 1995-2004  
Tercel 1983-1998  
Tundra 2000-2002  
Van 1984-1990

**Volvo**

850 1993-1997  
940/960 1995-1997  
C70 1998-2004  
S40 2000-2004  
S70 1998-2000  
S90/V90 1997-1998  
V40 2000-2004  
V70 1998-2000

**Note:** For universal pocket installations into a standard size DIN opening refer to the Ford/Mazda/Mercury installation instructions.

# KIT (A) INSTRUCTIONS

## KIT FEATURES

- DIN radio provision with pocket
- ISO DIN radio provision with pocket

## KIT COMPONENTS

- A) Radio housing • B) ISO brackets • C) Pocket • D) Trim plate
- E) Mounting bracket • F) Rear support bracket
- G) #6 x 1/4" Phillips flat head screws (8)
- H) #8 x 3/8" Phillips truss head screws (4)

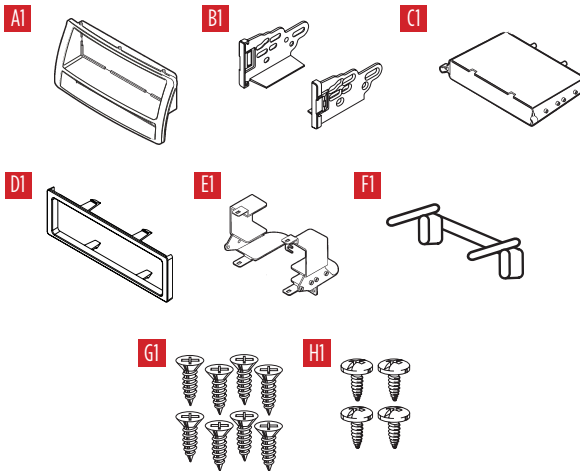
## WIRING & ANTENNA CONNECTIONS (sold separately)

Wiring Harness: Please visit [metrafits.com](http://metrafits.com) for wiring harness options  
Antenna Adapter: Not required

## APPLICATIONS

### Toyota

Corolla 2003-2008



## TABLE OF CONTENTS

Dash Disassembly .....	4
Kit Preparation .....	4
Kit Assembly	
-DIN radio provision with pocket .....	5
-ISO DIN radio provision with pocket .....	5

## TOOLS REQUIRED

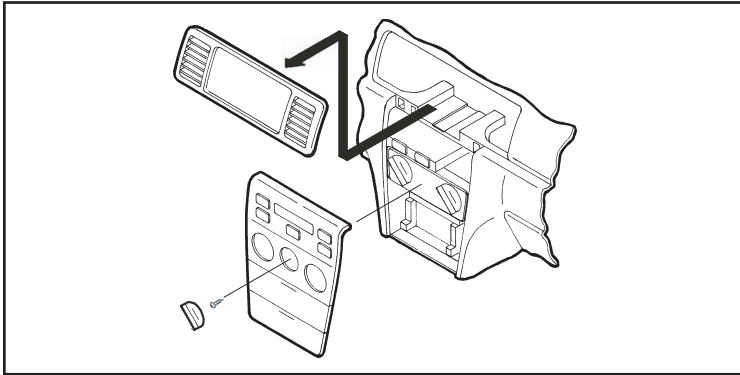
- Phillips screwdriver • Cutting tool
- Socket wrench

## DASH DISASSEMBLY

### Toyota Corolla 2003-2008

1. Unsnap the gear shifter trim bezel and remove.
2. Remove the center climate control knob and (1) Phillips screw exposed.
3. Unclip the climate control bezel/pocket assembly and remove. (Figure A)
4. Remove (4) 10mm bolts from the bottom of the factory radio. (Figure A)
5. Remove the factory radio/trim bezel assembly and disconnect the wiring.
6. Unclip the bezel from the radio and remove the radio. (Figure A)

*Continue to Kit Preparation*

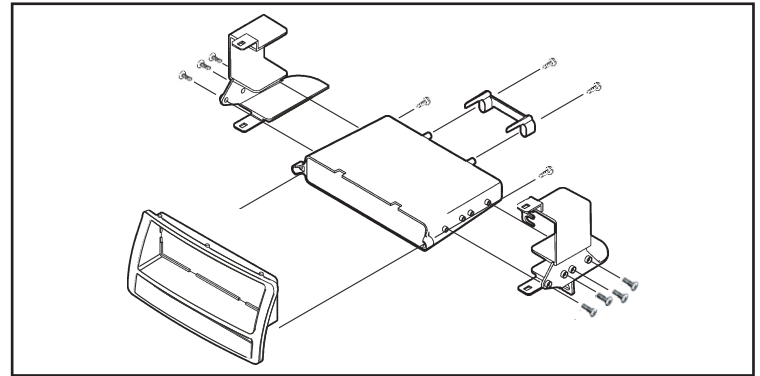


(Figure A)

## KIT PREPARATION

1. Attach the **pocket** to the back of the **radio housing** (by holding the housing upside-down, inserting the right edge of the **pocket** into place and pushing the rest of the **pocket** onto the lip) and mount with (2) #8 x 3/8" Phillips pan head screws supplied.
2. Secure the **mounting brackets** to the **pocket** with (8) #6 x 1/4" Phillip flat head screws supplied.
3. Mount the **rear support bracket** to the back of the **pocket** with (2) #8 x 3/8" Phillips pan head screws supplied.

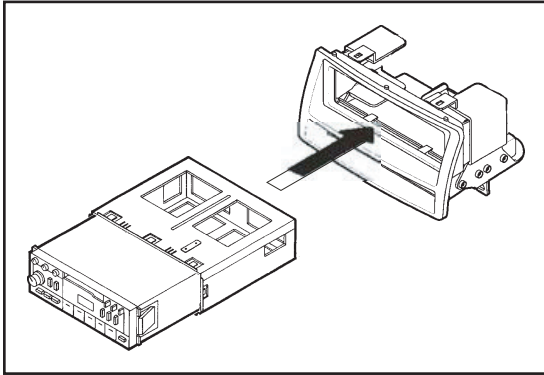
*Continue to Kit Assembly*



## KIT ASSEMBLY

### DIN radio provision with pocket

1. Remove the metal DIN sleeve from the aftermarket radio.
2. Slide the DIN sleeve into the **radio housing** and secure by bending the metal locking tabs down. (Figure A)
3. Slide the aftermarket radio into the sleeve until it clicks in. (Figure A)
4. Locate the factory wiring harness and antenna connector in the dash. Metra recommends using the proper mating adapter from Metra or AXXESS. Test the radio for proper operation.
5. Reassemble the dash in reverse order of disassembly.



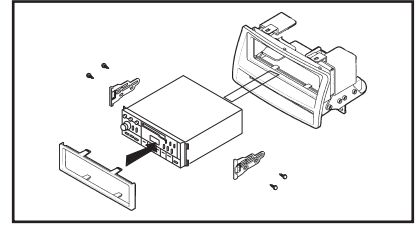
(Figure A)

### ISO DIN radio provision with pocket

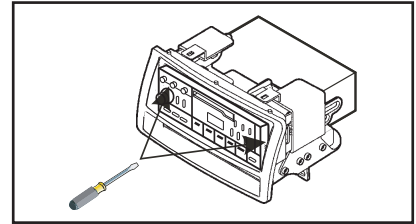
1. Remove the metal DIN sleeve and trim ring from the aftermarket radio.
2. Align the holes in the **ISO brackets**, then mount the brackets to the radio with the screws supplied with the radio. (Figure A)
3. Slide the radio/bracket assembly into the radio opening until the side clips engage, then snap the **trim plate** over the radio. (Figure A)

**Note:** To remove the mounted radio, unclip and remove the ISO trim plate. Using a small flat-blade screwdriver, disengage the side clips securing the **ISO brackets** to the **radio housing**. (Figure B)

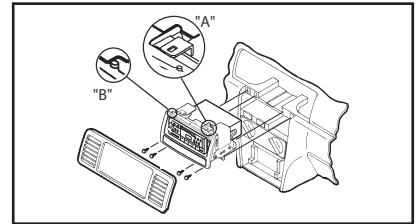
4. Snap the factory radio trim bezel over the kit by engaging the (4) bracket tabs ("A") and (3) housing bosses ("B") to the back of the bezel. (Figure C)
5. Slide the assembly into the sub-dash and mount with (4) 10mm bolts previously removed in Step 1. (Figure C)
6. Locate the factory wiring harness and antenna connector in the dash. Metra recommends using the proper mating adapter from Metra or AXXESS. Test the radio for proper operation.
7. Reassemble dash in reverse order of disassembly.



(Figure A)



(Figure B)



(Figure C)

# KIT (B) INSTRUCTIONS

## KIT FEATURES

- ISO DDIN radio provision

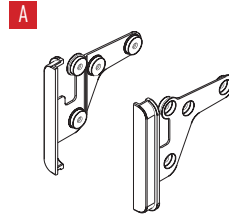
## KIT COMPONENTS

- A) ISO DDIN trim plate brackets

## WIRING & ANTENNA CONNECTIONS (sold separately)

Wiring Harness: Please visit [metrafits.com](http://metrafits.com) for wiring harness options

Antenna Adapter: Please visit [metrafits.com](http://metrafits.com) for antenna adapter options



## TABLE OF CONTENTS

Dash Disassembly .....	7-21
Kit Preparation .....	22
Kit Assembly .....	23

## TOOLS REQUIRED

- Cutting tool • Phillips screwdriver
- Socket set • Dremel/grinder tool

## APPLICATIONS

### Toyota

Rav-4	2001-2005
MR2 Spyder	2000-2005
Celica	2000-2005
Echo	2000-2005
Highlander (without factory navigation)	2001-2007
Matrix	2005-2008
Matrix (with factory navigation)	2009-2010
4 Runner (excluding limited)	2003-2009

### Toyota (Cont)

Tundra	2003-2006
Sequoia	2003-2007
FJ Cruiser	2007-2014
Yaris (without power package)	2007-2011
Yaris	2012-2017

### Scion

FR-S	2013-2016
iQ	2012-2015
tC	2005-2016
xA	2004-2006
xB	2004-2015
xD	2008-2014

### Subaru

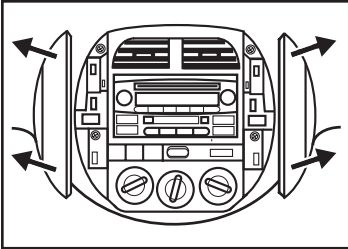
BRZ	2013-2015
Forester (with SD based navigation)	2009-2013

## DASH DISASSEMBLY

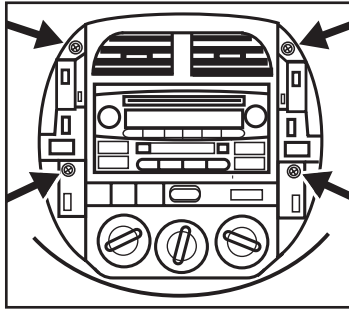
### Toyota Rav-4 2001-2005

1. Unclip and remove side panel from both sides of radio and climate controls. (Figure A)
2. Remove (4) Phillips screws securing the radio/climate control trim panel. (Figure B)
3. Remove (4) 10mm bolts securing the radio. (Figure C)
4. Unplug and remove radio.
5. Remove factory brackets from radio. Retain brackets for use during kit assembly.

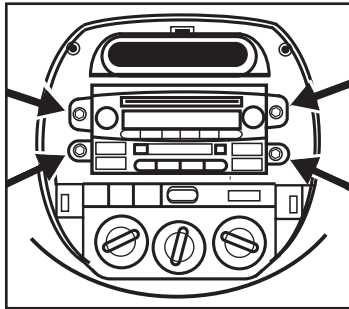
*Continue to Kit Preparation*



(Figure A)



(Figure B)

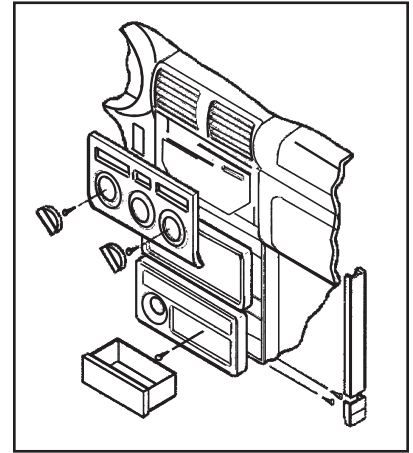


(Figure C)

### Toyota MR2 Spyder 2000-2005

1. Unsnap the lower trim piece from each side of the dash console and remove (2) Phillips screws exposed in each cavity. Remove the upper trim piece from each side of the console. (Figure A)
2. Remove the climate control knobs and (2) Phillips screws exposed. Remove the climate control trim bezel. (Figure A)
3. Remove the ashtray and (1) 10mm bolt exposed. Unclip the ashtray trim bezel and remove. (Figure A)
4. Unclip the radio trim bezel, remove (4) Phillips screws securing the radio and disconnect the wiring.
5. Remove factory brackets from radio. Retain brackets for use during kit assembly.

*Continue to Kit Preparation*



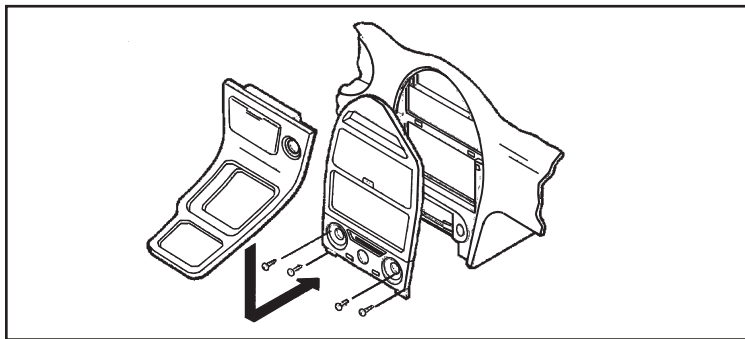
(Figure A)

## DASH DISASSEMBLY

### Toyota Celica 2000-2005

1. Unclip and remove the gear shifter trim bezel and remove (2) Phillips screws exposed below the climate controls. (Figure A)
2. Pull off climate control knobs and remove (2) Phillips screws exposed. (Figure A)
3. Unclip the climate control/factory radio trim bezel and remove. (Figure A)
4. Remove (4) 10mm screws securing the factory radio and disconnect the wiring.
5. Remove factory brackets from radio. Retain brackets for use during kit assembly.

*Continue to Kit Preparation*

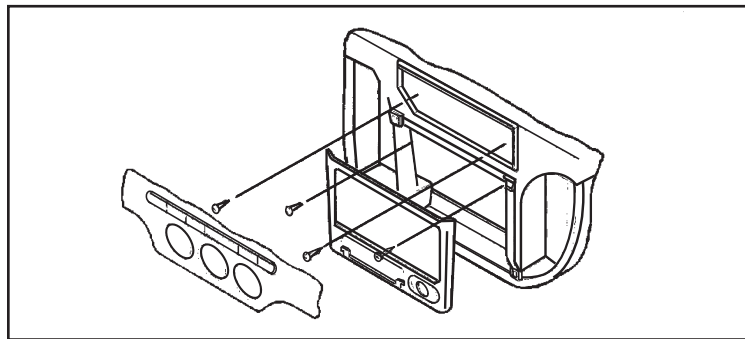


(Figure A)

### Toyota Echo 2000-2005

1. Remove the climate control knobs and (2) Phillips screws exposed. Unclip and remove the climate control trim bezel. Depress the side clips securing the climate control panel and move the panel to access (2) Phillips screws from the top of the factory radio brackets. (Figure A)
2. Remove the ashtray. Unclip and remove the radio trim bezel. Remove (2) Phillips screws from the bottom of the radio brackets and disconnect the wiring.
3. Remove factory brackets from radio. Retain brackets for use during kit assembly.

*Continue to Kit Preparation*



(Figure A)

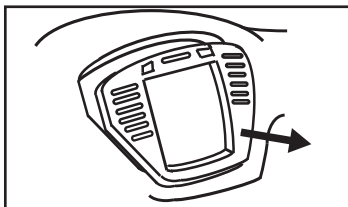


## DASH DISASSEMBLY

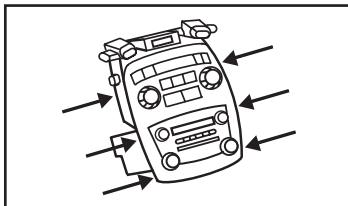
### Toyota Highlander 2001-2007 (without factory navigation)

1. Pull and remove dash panel from radio and climate controls. Tip: There are 8 clips. (Figure A)
2. Remove (6) 10mm bolts from radio and climate controls assembly. (Figure B)
3. Remove assembly and disconnect the wiring.
4. Remove (8) Phillips bolts and (4) Phillips screws to separate brackets from assembly. Retain brackets for use during kit assembly. (Figure C)

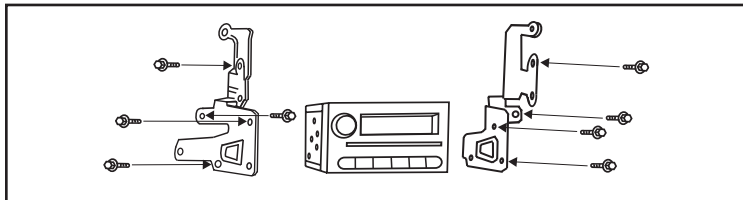
Continue to Kit Preparation



(Figure A)



(Figure B)

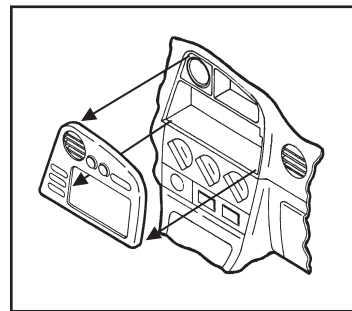


(Figure C)

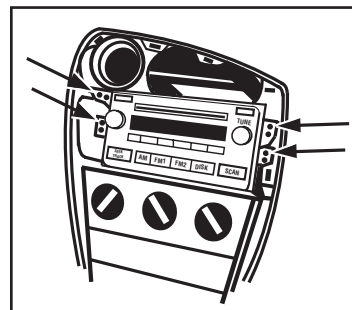
### Toyota Matrix 2005-2008

1. Unclip the bottom edge of the radio trim panel then lift up and out to remove. (Figure A)
2. Remove (4) 10mm bolts securing the factory radio. (Figure B)

Continue to Kit Preparation



(Figure A)



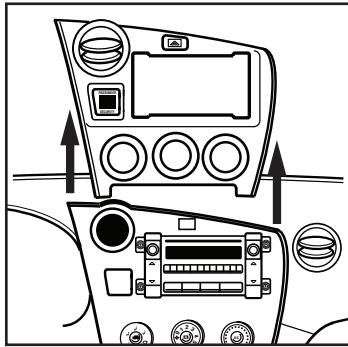
(Figure B)

## DASH DISASSEMBLY

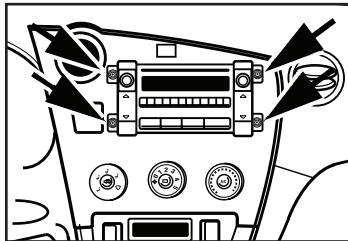
### Toyota Matrix 2009-2010 (with factory navigation)

1. Unclip and remove the radio trim panel including the A/C vent. (Figure A)
2. Remove (4) 10mm bolts securing the factory radio. Unplug and remove the radio. (Figure B)

*Continue to Kit Preparation*



(Figure A)

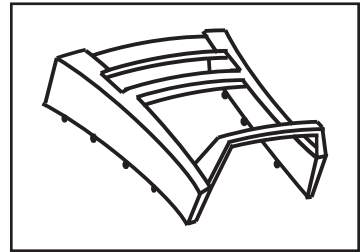


(Figure B)

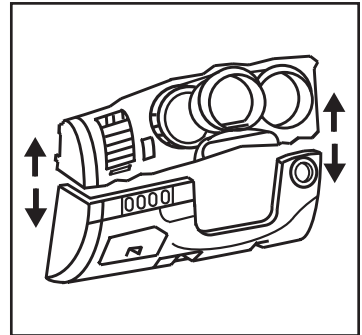
### Toyota 4-Runner 2003-2009 (excluding limited)

1. Unsnap and remove trim from around shifter.
2. Unsnap and remove trim covers from around center console pocket edge at front and rear of console.
3. Unsnap and remove center console cover. (Figure A)
4. Unsnap trim ring from around ignition key cylinder.
5. Remove (1) 10mm bolt from bottom right of panel below steering column. Unsnap panel and pull away to gain access behind panel. (Figure B)
6. Remove (1) 10mm bolt on bottom left of center panel behind panel below steering column. (Figure B)

*Continued on next page*



(Figure A)



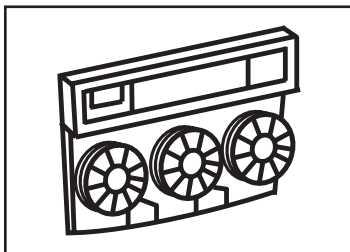
(Figure B)

## DASH DISASSEMBLY

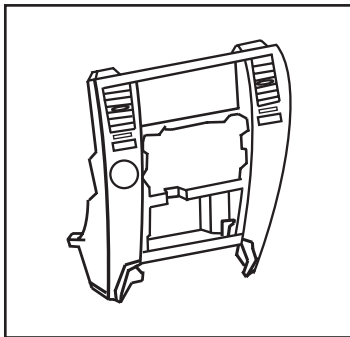
### Toyota 4-Runner 2003-2009 (Cont) (excluding limited)

7. Remove (1) 10mm bolt beneath climate control behind pocket door. Unsnap and remove climate control. (Figure C)
8. Remove (2) 10mm bolts beneath radio behind climate controls.
9. Unsnap and remove entire center panel around radio. (Figure D)
10. Remove (2) 10mm bolts securing radio.
11. Unplug and remove radio.
12. Remove factory brackets from radio. Retain brackets for use during kit assembly.

*Continue to Kit Preparation*



(Figure B)

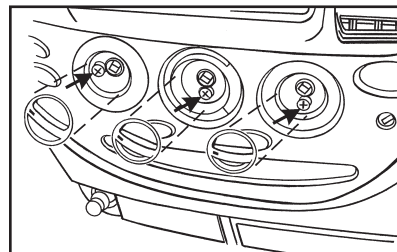


(Figure C)

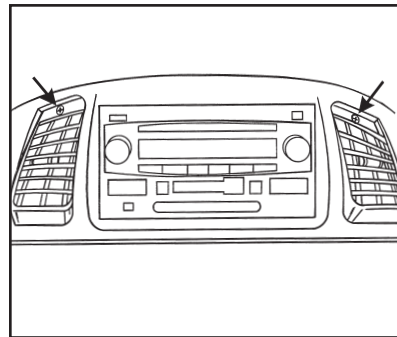
### Toyota Tundra 2003-2006

1. Remove the (3) climate control knobs by pulling straight outward. (Figure A)
2. Remove (3) Phillips screws from behind knobs. (Figure A)
3. Position vents facing upward and remove (1) Phillips screw from each A/C vent. (Figure B)

*Continued on next page*



(Figure A)

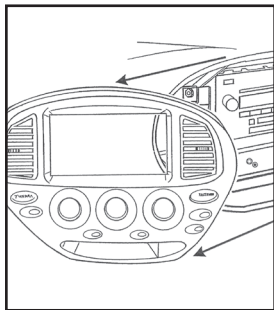


(Figure B)

## DASH DISASSEMBLY

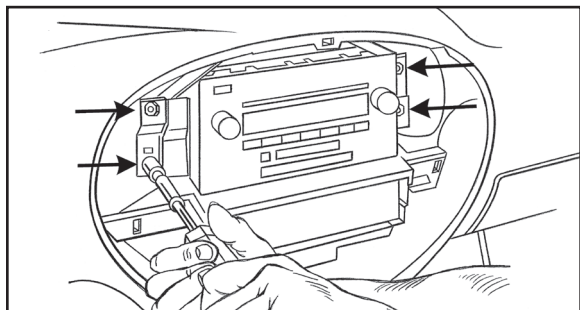
### Toyota Tundra 2003–2006 (Cont)

4. Unclip and remove entire trim panel. (Figure C)
5. Remove (4) 10mm bolts to remove radio. (Figure D)
6. Unplug and remove radio.
7. Remove factory brackets from radio. Retain brackets for use during kit assembly.



(Figure C)

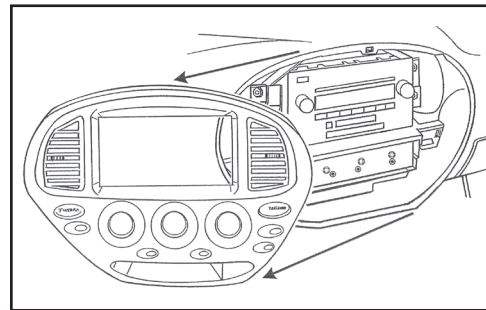
Continue to Kit Preparation



(Figure D)

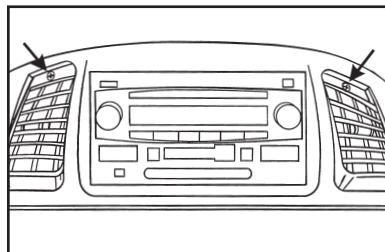
### Toyota Sequoia 2003–2007

1. Position vents facing upward and remove (1) Phillips screw from each A/C vent. (Figure A)
2. Unclip and remove entire radio trim panel including climate controls. (Figure B)
3. Remove (4) 10mm bolts to remove radio. (Figure C)
4. Unplug and remove radio.
5. Remove factory brackets from radio. Retain brackets for use during kit assembly.

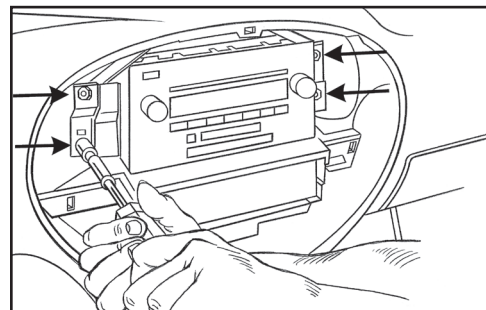


(Figure B)

Continue to Kit Preparation



(Figure A)



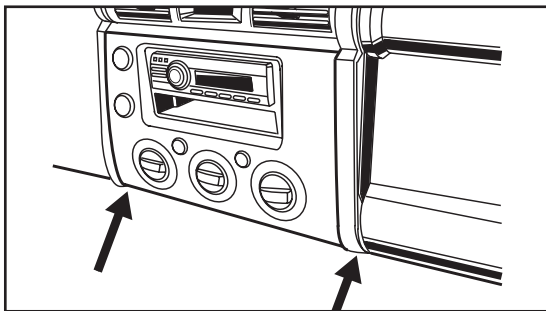
(Figure C)

## DASH DISASSEMBLY

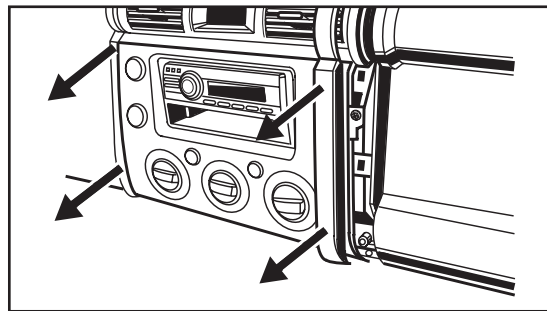
### Toyota FJ Cruiser 2007-2014

1. Remove two Phillips screws from bottom part of side trim panels. (Figure A)
2. Using a panel removal tool, carefully remove the side trim panels. (Figure B)
3. Remove (2) Phillips screws from radio trim panel. (Figure C)
4. Using panel removal tool, carefully remove radio trim panel. (Figure D)
5. Remove (4) 10mm bolts securing the radio.
6. Unplug and remove radio.
7. Remove factory brackets from radio. Retain brackets for use during kit assembly.

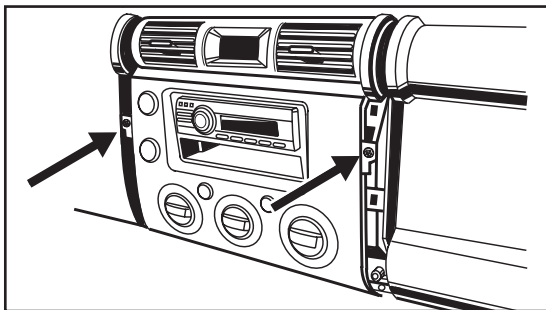
*Continue to Kit Preparation*



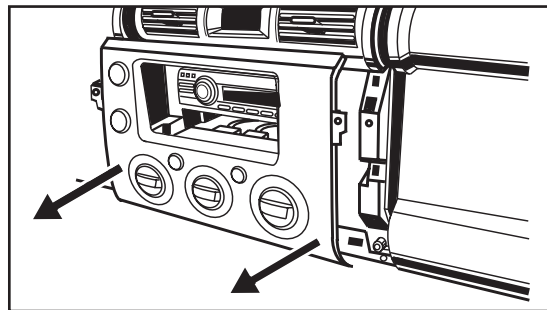
(Figure A)



(Figure B)



(Figure C)



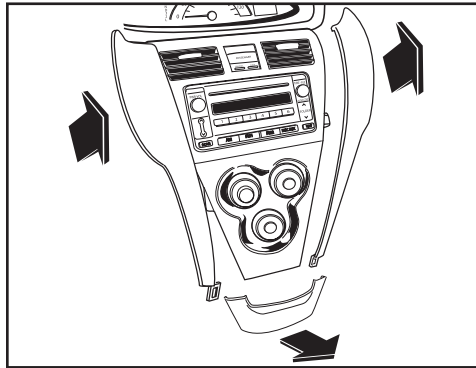
(Figure D)

## DASH DISASSEMBLY

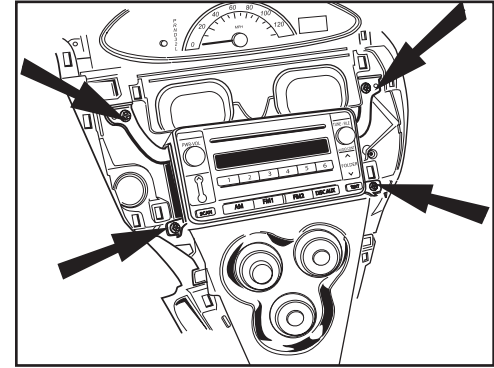
### Yaris 2007-2011 (without power package)

1. Unclip the bottom trim panel located underneath the A/C controls. (Figure A)
2. Unclip the two side trim panels that surround the A/C controls and radio. (Figure A)
3. Unclip the Instrument trim Panel surrounding the speedometer and gauges. (Figure B)
4. Unclip the radio/AC vents trim panel. (Figure B)
5. Remove (4) Phillips screws securing radio. (Figure C)
6. Unplug and remove radio.
7. Remove (4) Phillips screws securing factory brackets on each side of the radio and remove brackets. Retain brackets for use during kit assembly. (Figure D)

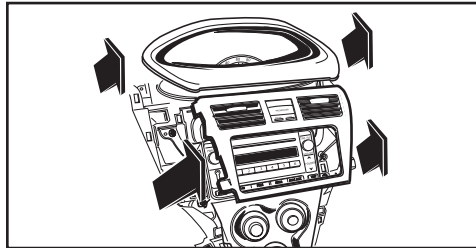
*Continue to Kit Preparation*



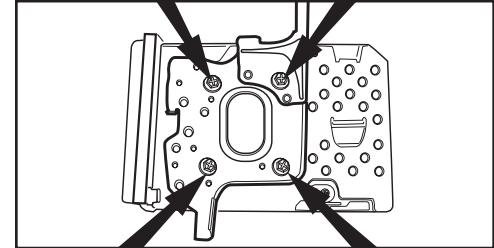
(Figure A)



(Figure C)



(Figure B)



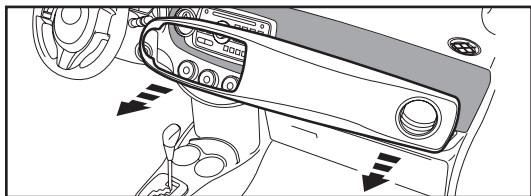
(Figure D)

## DASH DISASSEMBLY

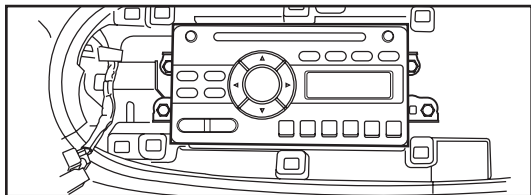
### Yaris 2012-2017

1. Unclip and remove entire panel including A/C vent on passenger side of dash. (Figure A)
2. Unclip and remove the panel from around the radio. (Figure B)
3. Remove four 10 mm bolts and remove factory radio. (Figure C)

Continue to Kit Preparation



(Figure A)

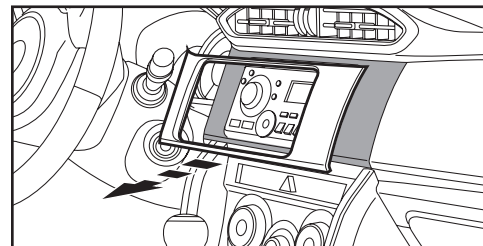


(Figure B)

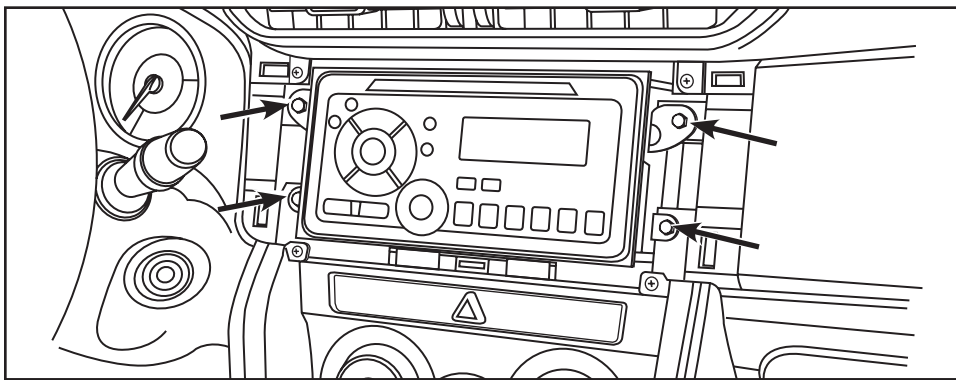
### Scion FR-S 2013-2014

1. Unclip and remove the panel from around the radio. (Figure A)
2. Remove four 10 mm bolts and remove factory radio. (Figure B)

Continue to Kit Preparation



(Figure A)



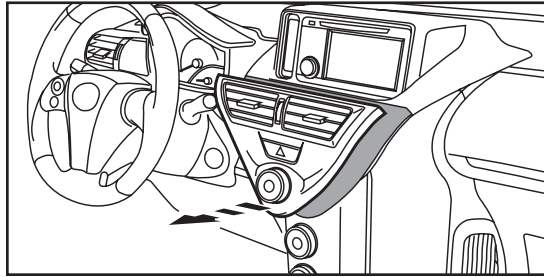
(Figure B)

## DASH DISASSEMBLY

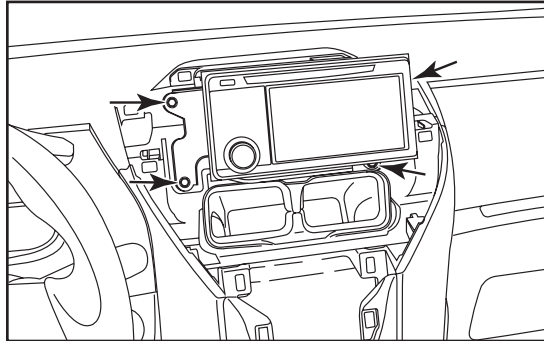
### Scion iQ 2012-2015

1. Unclip and remove the climate control panel. (Figure A)
2. Unclip and remove the panel from around the radio. (Figure B)
3. Remove four 10 mm bolts and remove factory radio. (Figure C)

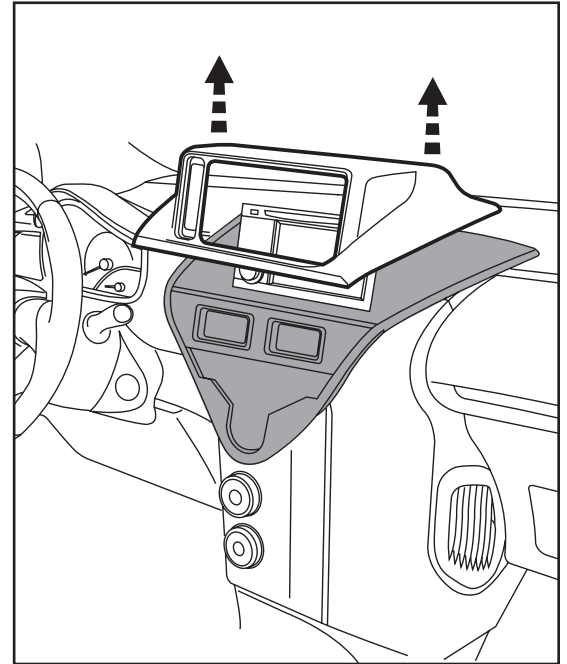
*Continue to Kit Preparation*



(Figure A)



(Figure C)



(Figure B)

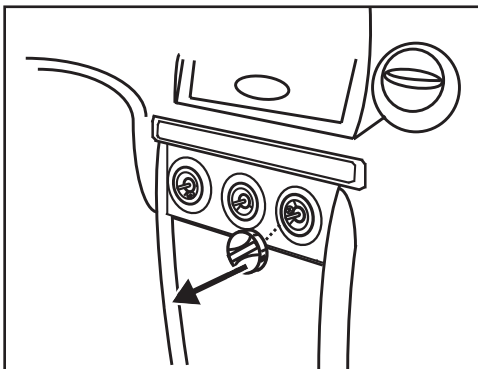


## DASH DISASSEMBLY

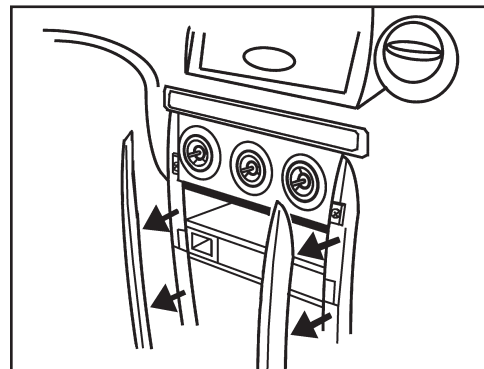
### Scion xA 2004-2006

1. Pull outward on the (3) climate control knobs and remove. (Figure A)
2. Remove (2) Phillips screws from behind the outer two climate knobs. (Figure B)
3. Unsnap and remove the trim pieces on each side of the climate control/ashtray/pocket assembly. (Figure C)
4. Remove (2) Phillips screws from the bottom of the climate control/radio trim panel and unsnap and remove the entire panel. (Figure D)
5. Remove (4) Phillips screws to remove the factory radio.
6. Remove factory brackets from radio. Retain brackets for use during kit assembly.

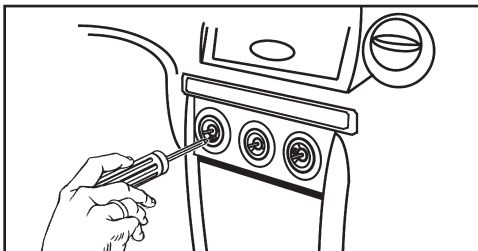
*Continue to Kit Preparation*



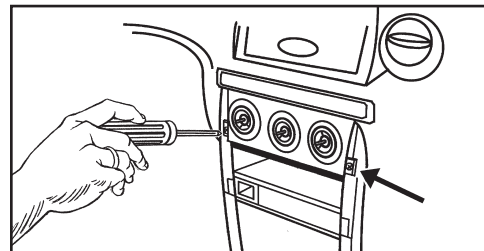
(Figure A)



(Figure C)



(Figure B)



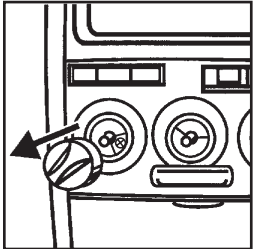
(Figure D)

## DASH DISASSEMBLY

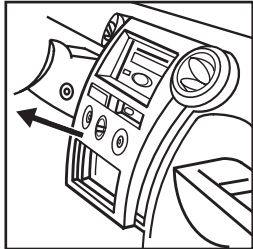
### Scion xB 2004-2006

1. Pull outward on the (3) climate control knobs and remove. (Figure A)
2. Remove (2) Phillips screws from behind the outer (2) knobs. (Figure B)
3. Unsnap and remove the entire panel surrounding the climate controls and the radio. (Figure C)
4. Remove (4) Phillips screws to remove the factory radio.
5. Remove factory brackets from radio. Retain brackets for use during kit assembly.

*Continue to Kit Preparation*



(Figure A)

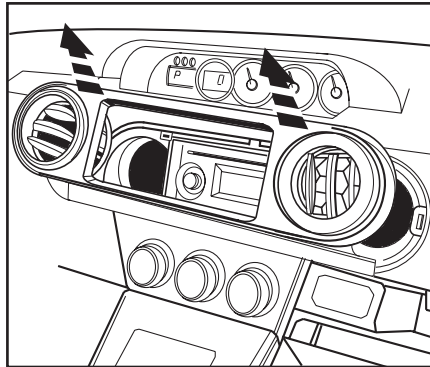


(Figure B)

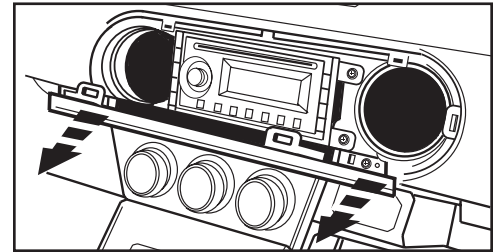
### Scion xB 2008-2015

1. Unclip and remove the trim panel around the radio including the A/C vents. (Figure A)
2. Unclip and remove the trim panel at the bottom edge of the dash cavity. (Figure B)
3. Remove (4) 10mm bolts securing the radio. (Figure C)

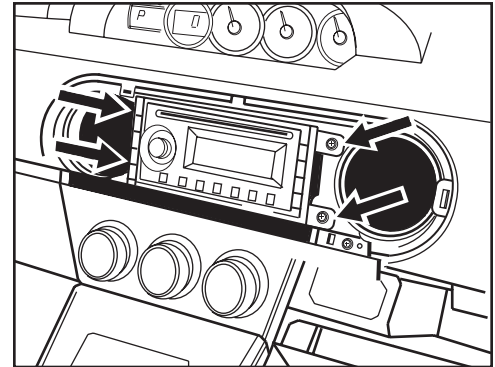
*Continue to Kit Preparation*



(Figure A)



(Figure B)



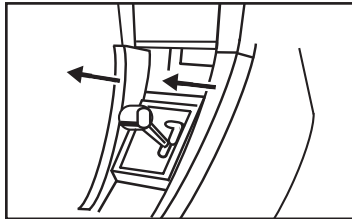
(Figure C)

# DASH DISASSEMBLY

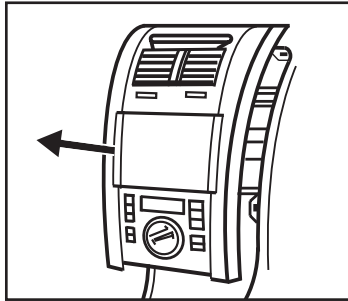
## Scion tC 2005-2010

1. Unsnap trim from around shifter (not necessary to be removed). (Figure A)
2. Unclip and remove panel from around radio (including climate controls and radio door). (Figure B)
3. Remove (2) 10mm nuts from the top mounting locations and (2) 10mm bolts from the bottom mounting locations to remove the radio. (Figure C)
4. Remove factory brackets from radio. Retain brackets for use during kit assembly.

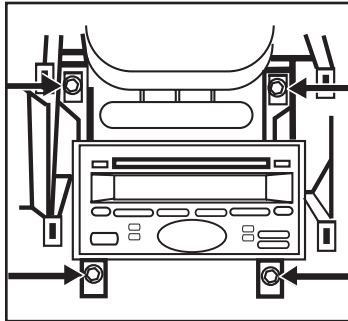
*Continue to Kit Preparation*



(Figure A)



(Figure B)

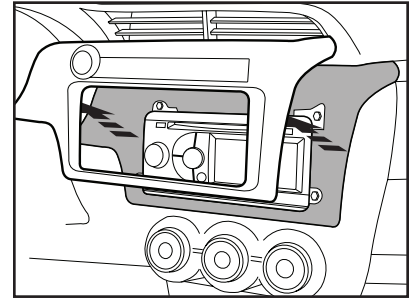


(Figure C)

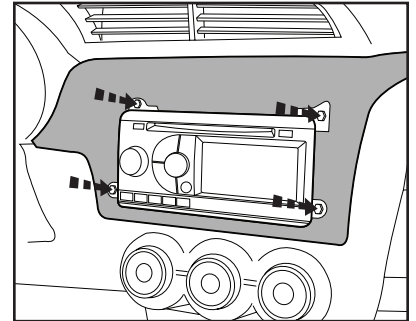
## Scion tC 2011-2016

1. Unclip and remove the radio trim panel. (Figure A)
2. Remove (4) 10mm bolts securing the radio. (Figure B)
3. Remove factory brackets from radio. Retain brackets for use during kit assembly.

*Continue to Kit Preparation*



(Figure A)



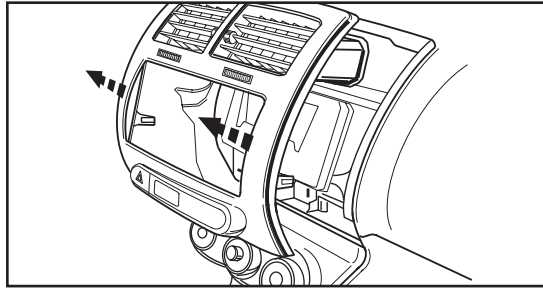
(Figure B)

## DASH DISASSEMBLY

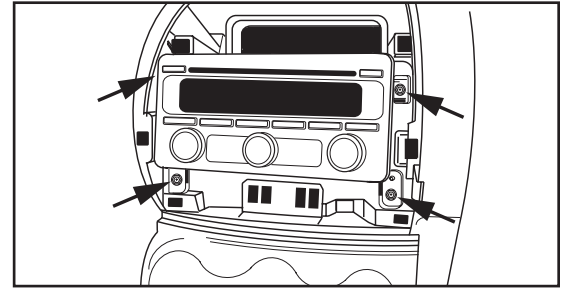
### Scion xD 2008-2014

1. Unclip radio trim panel. Unplug and remove panel. (Figure A)
2. Remove (4) Phillips screws securing the radio. Unplug and remove radio. (Figure B)
3. Remove factory brackets from radio. Retain brackets for use during kit assembly. (Figure C)

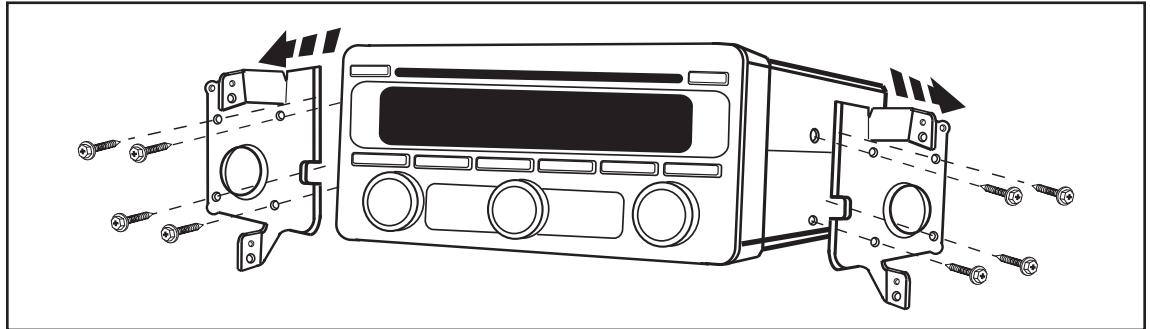
*Continue to Kit Preparation*



(Figure A)



(Figure B)



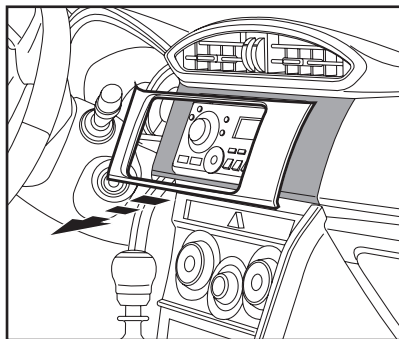
(Figure C)

## DASH DISASSEMBLY

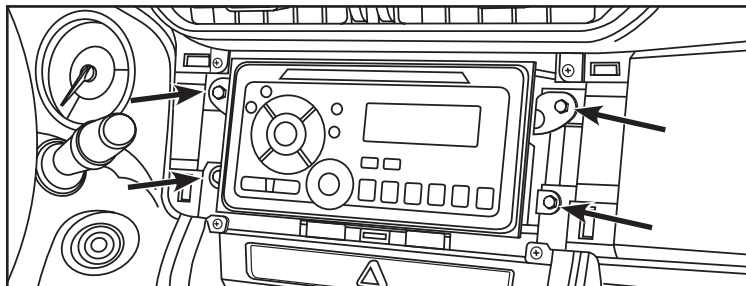
### Subaru BRZ 2013-2015

1. Unclip and remove the panel from around the radio. (Figure A)
2. Remove four 10 mm bolts and remove factory radio. (Figure B)

*Continue to Kit Preparation*



(Figure A)

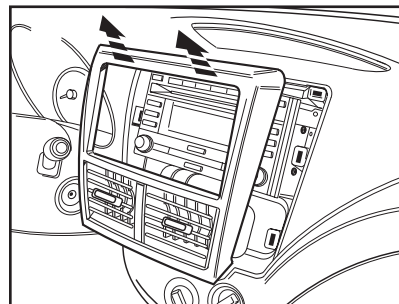


(Figure B)

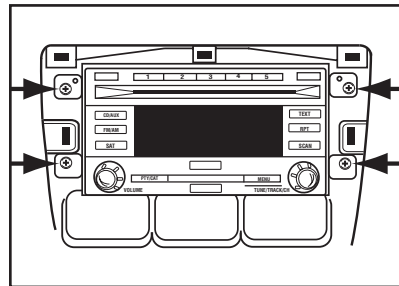
### Subaru Forester (with SD based navigation) 2009-2013

1. Unclip and remove the trim panel surrounding the factory radio including the A/C vents. (Figure A)
2. Remove (4) Phillips screws securing the radio. Unplug and remove the radio. (Figure B)

*Continue to Kit Preparation*



(Figure A)



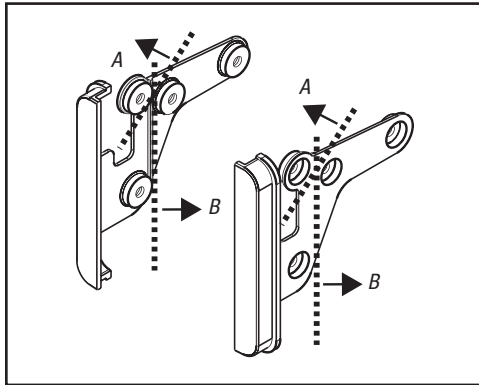
(Figure B)

## KIT PREPARATION

### For the Scion tC (both generations) and xA:

Cut off the front upper section of the **ISO DDIN trim plate brackets**, as shown by the dotted lines labeled “A” in. (Figure A)

*Continue to Kit Assembly*

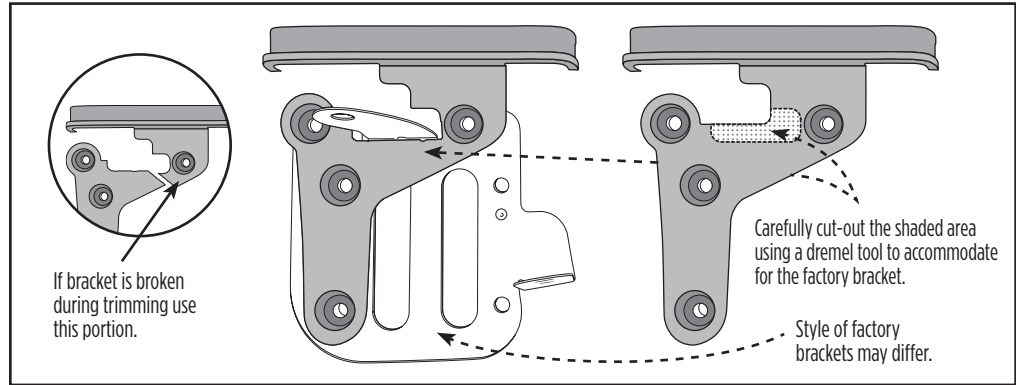


(Figure A)

### For the Toyota Rav-4 2001-2005, Toyota Highlander 2001-2007 (without factory navigation), Toyota Tundra 2003-2006 and Toyota Sequoia 2003-2007:

Cut off the rear section of the **ISO DDIN trim plate brackets**, as shown by the dotted lines labeled “B” in. (Figure A)

*Continue to Kit Assembly*



(Figure B)

### For the Scion FR-S 2013-2016 and Subaru BRZ 2013-2015:

Cut the **ISO DDIN trim plate brackets** as shown in. (Figure B)

**Note:** Care must be taken to cut this. A Dremel tool and a steady hand must be used. If the bracket is damaged you can still use the it by using the single screw hole leftover. If you do go this route, you will have to brace up the rear of the radio to prevent it from dropping down. (Figure B)

*Continue to Kit Assembly*

**For all other vehicles skip to Kit Assembly.**

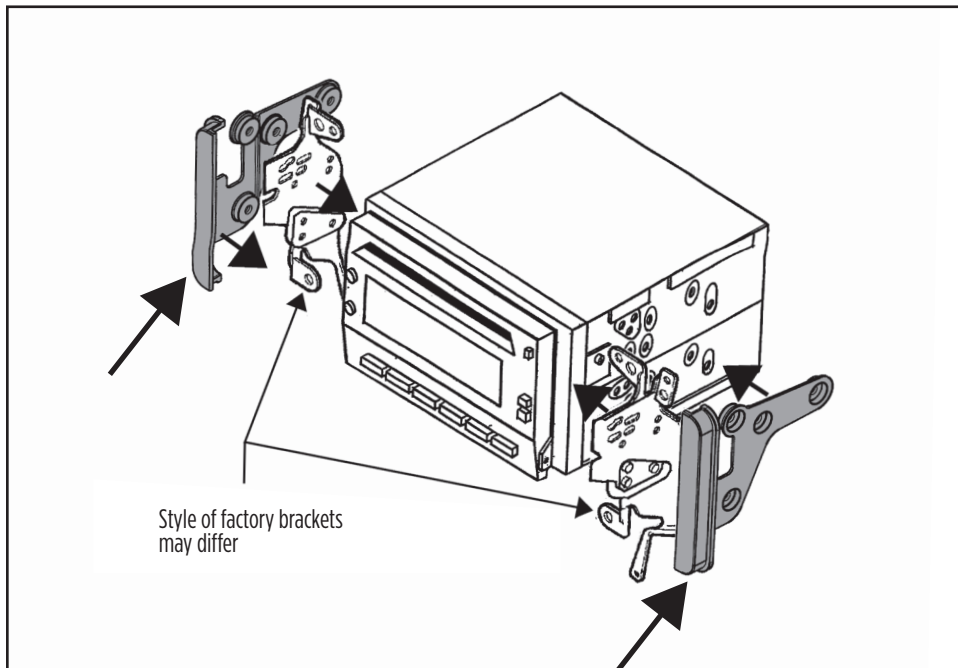
## KIT ASSEMBLY

### ISO DDIN radio provision

1. If applicable, remove the trim ring from the aftermarket radio.
2. Attach the factory mounting brackets and the **ISO DDIN trim plate brackets** to the radio with the screws supplied with the radio.

**Note:** Remove locating pins from factory brackets using a grinder tool.

3. Locate the factory wiring harness in the dash. Metra recommends using the proper mating adapter from Metra or AXCESS. Test the radio for proper operation.
4. Reassemble the dash in reverse order of disassembly.



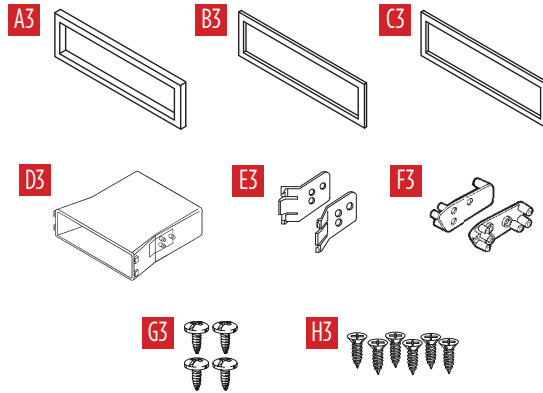
# KIT (C) INSTRUCTIONS

## KIT FEATURES

- Pocket provision for ISO DIN radio installations
- Holds (3) CD jewel cases
- Designed for vehicles equipped with factory double DIN radio

## KIT COMPONENTS

- A) Face plate #1 • B) Face plate #2 • C) Face plate #3 • D) Pocket
- E) Brackets set #1 • F) Brackets set #2 • G) (4) #8 x 1/4" Phillips screws
- H) (6) #6 x 1/4" Phillips flat head screws



## TABLE OF CONTENTS

Installation ..... 25-26

## TOOLS REQUIRED

- Cutting tool • Phillips screwdriver

## WIRING & ANTENNA CONNECTIONS (sold separately)

Wiring Harness: Please visit [metrafits.com](http://metrafits.com) for wiring harness options

Antenna Adapter: Please visit [metrafits.com](http://metrafits.com) for antenna adapter options

## APPLICATIONS

Ford	Mazda	Saab	Toyota (Cont)	Toyota (Cont)	Volvo
Mustang 1994-2000	626 1993-2000 929 1992-1995	9-5 1999-2009 9-3 1999-2002	Landcruiser 1988-2002 MR2 1985-1995	Supra 1983-1998 Supra 1994-1998	850 1993-1997 940/960 1995-1997
<b>Infiniti</b>	MX3 1992-1996 MX6 1993-1997	<b>Toyota</b>	Paseo 1992-1997 Pickup 1984-1995	T100 1993-1998 Tacoma 1995-2004	C70 1998-2004 S40 2000-2004
G20 1999-2002	Protege 1995-2000 RX-7 1993-1995	4-Runner 1984-2002 Avalon 1995-1999	Previa 1991-1997 Rav 4 1996-2000	Tercel 1983-1998 Tundra 2000-2002	S70 1998-2000 S90/V90 1997-1998
G20 1991-1996		Camry 1983-2001 Celica 1982-1999	Sequoia 2001-2002 Sienna 1996-2003	Van 1984-1990	V40 2000-2004 V70 1998-2000
J30 1993-1997	<b>Nissan</b>	Corolla 1984-1997 Cressida 1981-1992	Solara 1999-2003		
M30 1990-1992	*All models equipped with stack systems except the Quest.				
Q45 1990-2001					
<b>Lexus</b>					
ES250 1990-1991					

**Note:** For universal pocket installations into a standard size DIN opening refer to the Ford/Mazda/Mercury installation instructions.



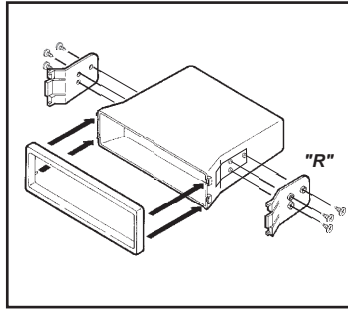
# INSTALLATION

## Ford/Mazda

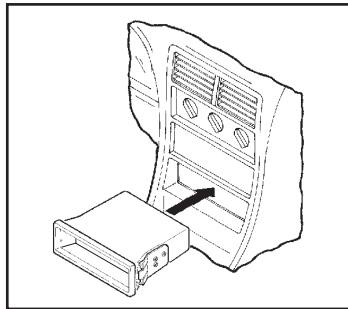
1. Snap face plate #1 onto the front of the pocket.
2. Locate Bracket Set #1 and mount the "L" Bracket to the "L" side of the pocket with (3) #6 x 1/4" Phillips flat head screws and the "R" bracket to the "R" side of the pocket with (3) #6 x 1/4" Phillips flat head screws. (Figure A)

**Caution:** Do NOT over tighten screws.

3. Slide the pocket assembly into the dash opening until the side clips engage. (Figure B)



(Figure A)



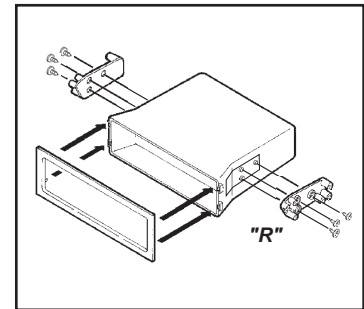
(Figure B)

## Nissan/Infiniti

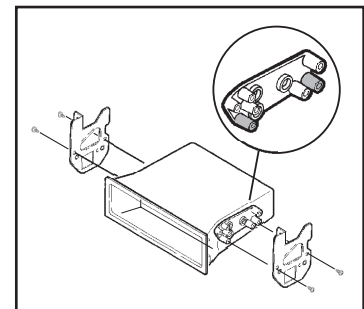
1. Snap face plate #3 onto the front of the pocket.
2. Locate bracket set #2 and mount the "L" bracket to the "L" side of the pocket with (3) #6 x 1/4" Phillips flat head screws and the "R" bracket to the "R" side of the pocket with (3) #6 x 1/4" Phillips flat head screws. (Figure A)

**Caution:** Do NOT over tighten screws.

3. Mount the factory brackets to the shaded bosses (Figure A) with (4) #8 x 1/4" Phillips screws supplied and mount the entire assembly to the sub-dash. (Figure B)



(Figure A)



(Figure B)

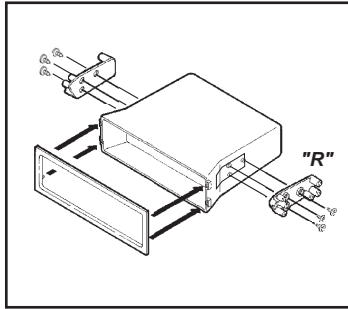
# INSTALLATION

## Toyota/Lexus

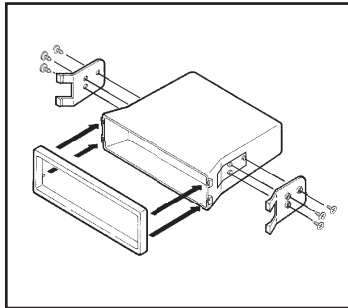
1. Snap face plate #2 onto the front of the pocket.
2. Locate bracket set #2 and mount the "L" bracket to the "L" side of the pocket with (3) #6 x 1/4" Phillips flat head screws and the "R" bracket to the "R" side of the pocket with (3) #6 x 1/4" Phillips flat head screws. (Figure A)

**Caution:** Do NOT over tighten screws.

3. Mount the pocket assembly to the factory brackets with (4) #8 x 1/4" Phillips screws supplied and mount the entire assembly to the sub-dash. (Figure B)



(Figure A)



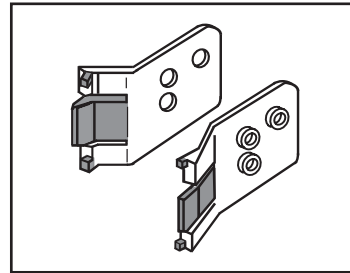
(Figure B)

## Volvo/Saab

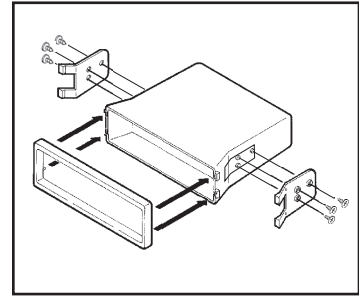
1. Cut and remove the shaded portions of Bracket Set #1. (Figure A)
2. Snap Face Plate #1 onto the front of the Pocket. Mount the "L" Bracket to the "L" side of the Pocket with (3) #6 x 1/4" Phillips Flat Head Screws and the "R" Bracket to the "R" side of the Pocket with (3) #6 x 1/4" Phillips Flat Head Screws. (Figure B)

**Caution:** Do NOT over tighten screws.

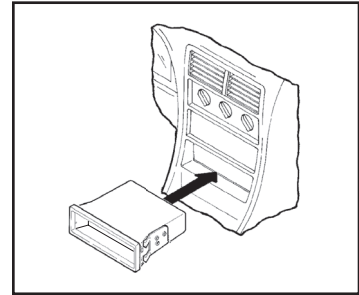
3. Slide the pocket assembly into the dash opening until the side clips engage. (Figure C)



(Figure A)



(Figure B)



(Figure C)





# INST-WM-TYK01

INSTALLATION INSTRUCTIONS



Having difficulties? We're here to help.



Contact our Tech Support line at:

**386-257-1187**



Or via email at:

[techsupport@metra-autosound.com](mailto:techsupport@metra-autosound.com)

### Tech Support Hours (Eastern Standard Time)

Monday - Friday: 9:00 AM - 7:00 PM

Saturday: 10:00 AM - 7:00 PM

Sunday: 10:00 AM - 4:00 PM



### **KNOWLEDGE IS POWER**

Enhance your installation and fabrication skills by enrolling in the most recognized and respected mobile electronics school in our industry. Log onto [www.installerinstitute.edu](http://www.installerinstitute.edu) or call 386-672-5771 for more information and take steps toward a better tomorrow.



**Metra recommends MECP certified technicians**



Kit (b) que se muestra instalado

## Scion/Subaru/Toyota 1981-2017

### CARACTERÍSTICAS DEL KIT

- Provisión de radio DIN con cavidad (†) / Provisión de radio ISO DIN con cavidad (†)
- Provisión de radio ISO DDIN (†)

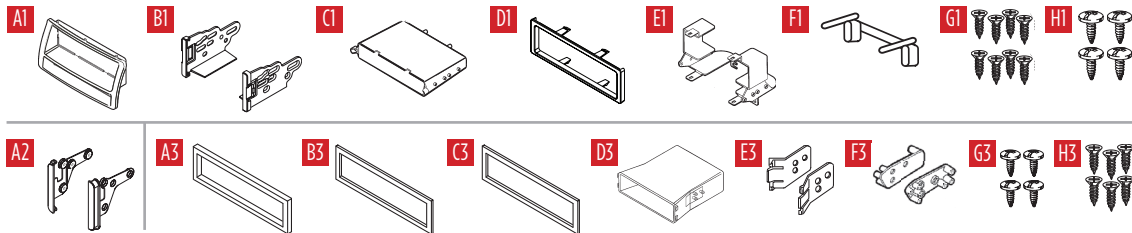
(†) Seleccionar aplicaciones

### INTRODUCCIÓN

- El WM-TYK01 incluye tres kits diferentes en un paquete para cubrir una amplia gama de vehículos. Use la **Descripción de la aplicación** en la página 2 para hacer referencia a qué kit usar y también qué páginas de instrucciones seguir. Cada sección se configura como un capítulo con su propia tabla de contenido.

### COMPONENTES DEL KIT

- A1) Carcasa de radio • B1) Soportes ISO • C1) Cavidad • D1) Placa de moldura • E1) Soporte de montaje • F1) Soporte de soporte trasero • G1) Tornillos #6 x 1/4" (8) • H1) #8 x 3/8" tornillos (4)
- A2) Soportes de placa de moldura ISO DDIN
- A3) Placa frontal # 1 • B3) Placa frontal # 2 • C3) Placa frontal # 3 • D3) Cavidad • E3) Soportes # 1 • F3) Soportes # 2 • G3) Tornillos #8 x 1/4" (4) • H3) Tornillos de cabeza plana #6 x 1/4" (6)



### INDICE

Descripción de la aplicación.....	2
Kit (a).....	3-5
Kit (b).....	6-23
Kit (c).....	24-26

### CABLEADO Y CONEXIONES DE ANTENA

(se venden por separado)

Arnés de cableado: Visite [metraonline.com](http://metraonline.com) para las opciones de arnés de cableado

Adaptador de antena: Visite [metraonline.com](http://metraonline.com) para las opciones de adaptador de antena

### HERRAMIENTAS REQUERIDAS

- Destornillador Phillips • Herramienta de corte
- Torx #20 • Juego de llave
- Herramienta para quitar paneles

**¡Precaución!** Todos los accesorios, interruptores, paneles de controles de clima y especialmente las luces del indicador de las bolsas de aire deben estar conectados antes ciclar la ignición. Además, no quite el radio de fábrica con la llave en la posición o de encendido ni con el vehículo funcionando.

## DESCRIPCIÓN DE LA APLICACIÓN

### Kit (a): Páginas 3-19

**Toyota**  
Corolla

2003-2008

### Kit (b): Páginas 20-23

**Toyota**

Rav-4 2001-2005  
MR2 Spyder 2000-2005  
Celica 2000-2005  
Echo 2000-2005  
Highlander (sin NAV de fábrica) 2001-2007  
Matrix 2005-2008  
Matrix (con NAV de fábrica) 2009-2010  
4 Runner (excluyendo limitado) 2003-2009  
Tundra 2003-2006  
Sequoia 2003-2007  
FJ Cruiser 2007-2014  
Yaris (sin paquete de energía) 2007-2011  
Yaris 2012-2017

**Scion**

FR-S 2013-2016  
iQ 2012-2015  
tC 2005-2016  
xA 2004-2006  
xB 2004-2015  
xD 2008-2014

**Subaru**

BRZ 2013-2015  
Forester (con SD basado en NAV) 2009-2013

### Kit (c): Páginas 20-23

**Ford**

Mustang 1994-2000

**Infiniti**

G20 1999-2002  
G20 1991-1996  
J30 1993-1997  
M30 1990-1992  
Q45 1990-2001

**Lexus**

ES250 1990-1991

**Mazda**

626 1993-2000  
929 1992-1995  
MX3 1992-1996  
MX6 1993-1997  
Protege 1995-2000  
RX-7 1993-1995

**Nissan**

\* Todos los modelos equipados con sistemas de pila excepto el Quest.

**Saab**

9-5 1999-2009  
9-3 1999-2002

**Toyota**

4-Runner 1984-2002  
Avalon 1995-1999  
Camry 1983-2001  
Celica 1982-1999  
Corolla 1984-1997  
Cressida 1981-1992  
Landcruiser 1988-2002  
MR2 1985-1995  
Paseo 1992-1997  
Pickup 1984-1995  
Previa 1991-1997  
Rav 4 1996-2000  
Sequoia 2001-2002

**Toyota (Cont)**

Sienna 1996-2003  
Solara 1999-2003  
Supra 1983-1998  
Supra 1994-1998  
T100 1993-1998  
Tacoma 1995-2004  
Tercel 1983-1998  
Tundra 2000-2002  
Van 1984-1990

**Volvo**

850 1993-1997  
940/960 1995-1997  
C70 1998-2004  
S40 2000-2004  
S70 1998-2000  
S90/V90 1997-1998  
V40 2000-2004  
V70 1998-2000

**Nota:** Para instalaciones de bolsillo universales en una abertura DIN de tamaño estándar, consulte las instrucciones de instalación de Ford/Mazda/Mercury.

# KIT (A) INSTRUCCIONES

## CARACTERÍSTICAS DEL KIT

- Provisión de radio DIN con cavidad
- Provisión de radio ISO DIN con cavidad

## COMPONENTES DEL KIT

- A) Carcasa de radio • B) Soportes ISO • C) Cavidad • D) Placa de moldura
- E) Soporte de montaje • F) Soporte de soporte trasero
- G) Tornillos de cabeza plana Phillips #6 x 1/4" (8)
- H) Tornillos de cabeza truss Phillips #8 x 3/8" (4)

## CABLEADO Y CONEXIONES DE ANTENA (se venden por separado)

Arnés de cableado: Visite [metraonline.com](http://metraonline.com) para las opciones de arnés de cableado

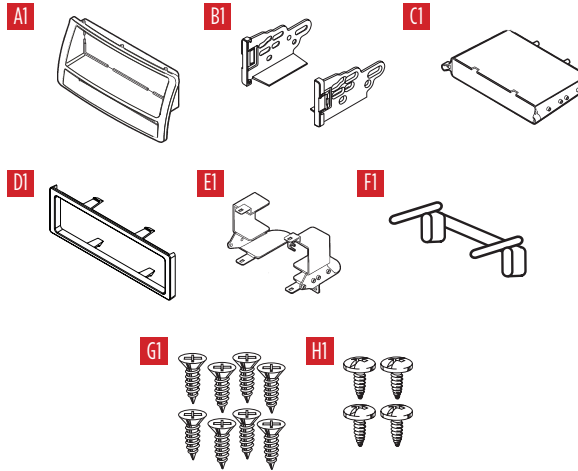
Adaptador de antena: No requerido

## APLICACIONES

**Toyota**

Corolla

2003-2008



## INDICE

Desmontaje del tablero .....	4
Preparación del Kit .....	4
Enamble del kit	
– Provisión de radio DIN con cavidad.....	5
– Provisión de radio ISO DIN con cavidad.....	5

## HERRAMIENTAS REQUERIDAS

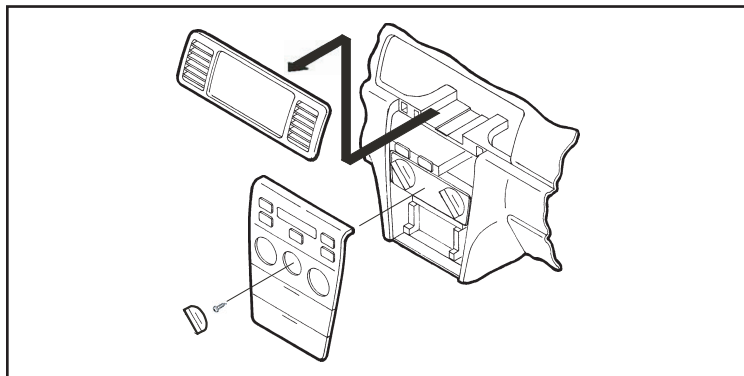
- Destornillador Phillips • Herramienta de corte
- llave de tubo

## DESMONTAJE DEL TABLERO

### Toyota Corolla 2003-2008

1. Quite a presión el marco de terminación de la palanca de velocidades y retírelo.
2. Retire las perillas de control de clima centrales y (1) tornillo Phillips expuesto.
3. Desenganche el conjunto del marco del control de clima/bolsillo y retírelo. (Figura A)
4. Retire (4) pernos de 10mm de la parte inferior de la radio de fábrica. (Figura A)
5. Retire el conjunto de radio de fábrica/marco de terminación y desconecte el cableado.
6. Desenganche el marco de radio y retire la unidad. (Figura A)

Continúe con la Preparación del Kit

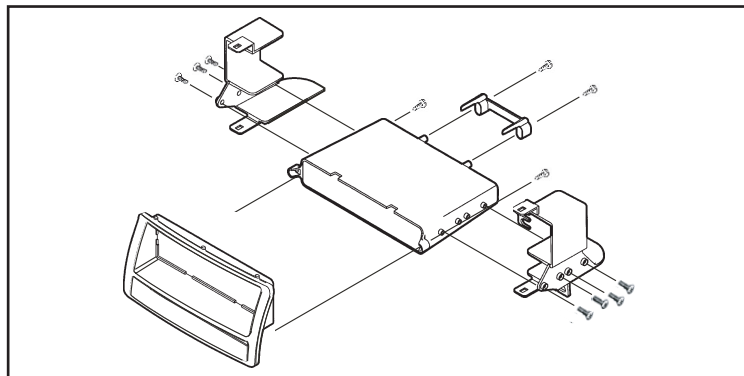


(Figura A)

## PREPARACIÓN DEL KIT

1. Coloque el **cavidad** en la parte posterior del **carcasa del radio** (sosteniendo el carcasa dado vuelta, introduciendo el borde derecho del **cavidad** en su lugar y empujando el resto del **cavidad** dentro del reborde), y monte con (2) tornillos Phillips de cabeza de cono achatado n.º8 x 3/8 in suministrados.
2. Sujete los **soportes de montaje** al **cavidad** con (8) tornillos Phillips de cabeza plana n.º6 x 1/4 in suministrados.
3. Monte el **soporte de apoyo trasero** en la parte posterior del **cavidad** con (2) tornillos Phillips de cabeza de cono achatado n.º8 x 3/8 in suministrados.

Continuará al Ensamble del Kit

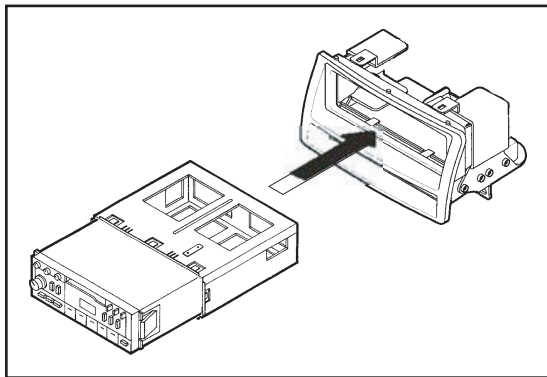




## ENAMBLE DEL KIT

### Provisión de radio DIN con cavidad

1. Quite la manga de metal DIN del radio de mercado secundario
2. Deslice la manga en la **carcasa de radio** y seguro doblando las lengüetas de fijación de metal hacia abajo. (Figura A)
3. Deslice el radio en la manga hasta que haga clic. (Figura A)
4. Ubique el arnés del cableado de fábrica en el tablero. Metra recomienda usar el adaptador de acoplamiento adecuado de Metra o AXCESS. Pruebe la unidad para verificar que funcione correctamente.
5. Vuelva a montar el tablero en forma inversa al desmontaje.



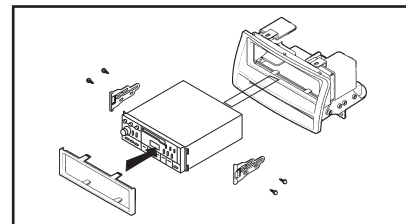
(Figura A)

### Provisión de radio ISO DIN con cavidad

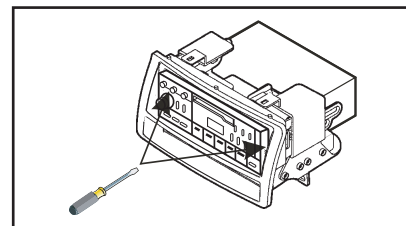
1. Quite la manga de metal DIN y el anillo de moldura del radio de mercado secundario.
2. Alinee los orificios que se encuentran en los **soportes ISO** y monte los soportes en la radio con los tornillos suministrados con la radio. (Figura A)
3. Deslice el conjunto de la radio/del soporte en la abertura del radio hasta que los ganchos laterales se enganchen y coloque a **placa de la moldura** de terminación sobre la radio. (Figura A)

**Nota:** Para quitar la radio montada, desenganche y retire la placa de ajuste ISO. Con un destornillador pequeño de punta plana, desenganche los clips laterales que aseguran los **soportes ISO** a la **carcasa del radio**. (Figura B)

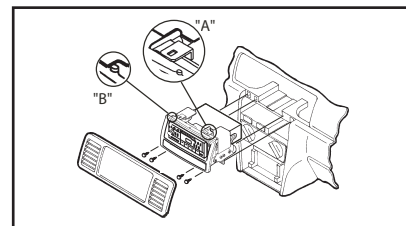
4. Coloque a presión el marco de terminación de la radio de fábrica sobre el kit enganchando las (4) lengüetas del soporte ("A") y (3) espigas del alojamiento ("B") en la parte posterior del marco. (Figura C)
5. Deslice el conjunto en el subtablero y monte con (4) pernos de 10 mm que retiró previamente en el paso 1. (Figura C)
6. Ubique el arnés del cableado de fábrica en el tablero. Metra recomienda usar el adaptador de acoplamiento adecuado de Metra o AXCESS. Vuelva a conectar el terminal negativo de la batería y pruebe la unidad para verificar que funcione correctamente.
7. Vuelva a montar el tablero en forma inversa al desmontaje.



(Figura A)



(Figura B)



(Figura C)

# KIT (B) INSTRUCCIONES

## CARACTERÍSTICAS DEL KIT

- Provisión de radio DDIN

## COMPONENTES DEL KIT

- A) Soportes de placa de moldura ISO DDIN

## CABLEADO Y CONEXIONES DE ANTENA (se venden por separado)

Arnés de cableado: Visite [metraonline.com](http://metraonline.com) para las opciones de arnés de cableado

Adaptador de antena: Visite [metraonline.com](http://metraonline.com) para las opciones de adaptador de antena

## APLICACIONES

### Toyota

Rav-4	2001-2005
MR2 Spyder	2000-2005
Celica	2000-2005
Echo	2000-2005
Highlander (sin NAV de fábrica)	2001-2007
Matrix	2005-2008
Matrix (con NAV de fábrica)	2009-2010
4 Runner (excluyendo limitado)	2003-2009

### Toyota (Cont)

Tundra	2003-2006
Sequoia	2003-2007
FJ Cruiser	2007-2014
Yaris (sin paquete de energía)	2007-2011
Yaris	2012-2017

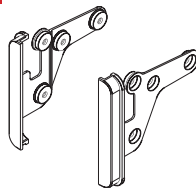
### Scion

FR-S	2013-2016
iQ	2012-2015
tC	2005-2016
xA	2004-2006
xB	2004-2015
xD	2008-2014

### Subaru

BRZ	2013-2015
Forester (con SD basado en NAV)	2009-2013

A



## INDICE

Desmontaje del tablero .....	7-21
Kit del Preparación .....	22
Enamble del kit.....	23

## HERRAMIENTAS REQUERIDAS

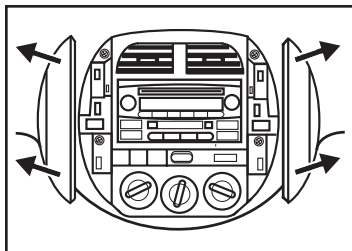
- Herramienta de corte • Destornillador Phillips
- llave de tubo • Dremel/herramienta amoladora

## DESMONTAJE DEL TABLERO

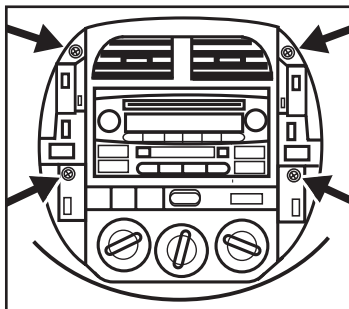
### Toyota Rav-4 2001-2005

1. Desenganche y quite el panel lateral de ambos lados del radio y los controles del clima. (Figura A)
2. Quite los (4) tornillos Phillips que sujetan el panel de la moldura del radio/control de clima. (Figura B)
3. Quite los (4) pernos de 10mm que sostienen el radio. (Figura C)
4. Desconecte y retire el radio.
5. Quite los soportes de fábrica del radio. Guarde los soportes para usarlos al ensamblar el kit.

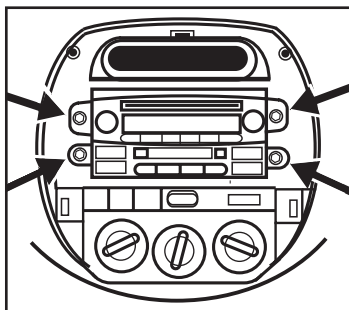
Continúe con la Preparación del Kit



(Figura A)



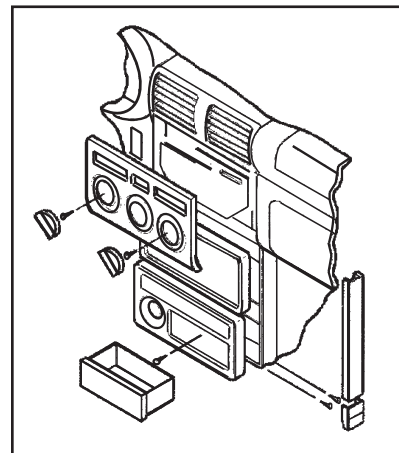
(Figura B)



(Figura C)

### Toyota MR2 Spyder 2000-2005

1. Desenganche la pieza de moldura inferior de cada lado de la consola del tablero y quite los (2) tornillos Phillips que quedan a la vista en cada cavidad. Quite la pieza de moldura superior de cada lado de la consola. (Figura A)
2. Quite las perillas de control de clima y los (2) tornillos Phillips que quedan a la vista. Quite el bisel de la moldura del control de clima. (Figura A)
3. Quite el cenicero y (1) 10mm perno expuesto. Desenganche el bisel de la moldura del cenicero y quítelo. (Figura A)
4. Desenganche el bisel de la moldura del radio, quite los (4) tornillos Phillips que sujetan la unidad y desconecte el cableado.
5. Quite los soportes de fábrica del radio. Guarde los soportes para usarlos al ensamblar el kit.



(Figura A)

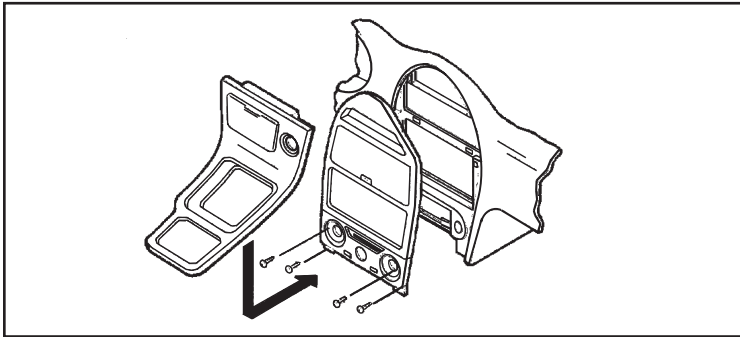
Continúe con la Preparación del Kit

## DESMONTAJE DEL TABLERO

### Toyota Celica 2000-2005

1. Desenganche y quite el bisel de la moldura de la palanca de velocidades y quite los (2) tornillos Phillips expuestos debajo de los controles del clima. (Figura A)
2. Quite las perillas de control de clima y los (2) tornillos Phillips que quedan a la vista. (Figura A)
3. Desenganche el bisel del control de clima/moldura del radio de fábrica y quite. (Figura A)
4. Quite los (4) tornillos de 10mm que sujetan el radio de fábrica y desconecte el cableado.
5. Quite los soportes de fábrica del radio. Guarde los soportes para usarlos al ensamblar el kit.

*Continúe con la Preparación del Kit*

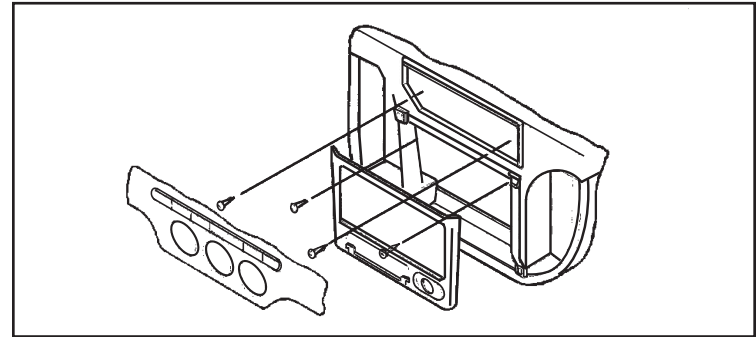


(Figura A)

### Toyota Echo 2000-2005

1. Quite las perillas de control de clima y los (2) tornillos Phillips que quedan a la vista. Desenganche y quite el bisel de la moldura del control de clima. Presione los ganchos laterales que sujetan el panel del control de clima y mueva el panel para acceder los (2) tornillos Phillips desde la parte superior de los soportes del radio de fábrica. (Figura A)
2. Quite el cenicero. Desenganche y quite el bisel de la moldura del radio. Quite los (2) tornillos Phillips de la parte inferior de los soportes del radio y desconecte el cableado.
3. Quite los soportes de fábrica del radio. Guarde los soportes para usarlos al ensamblar el kit.

*Continúe con la Preparación del Kit*



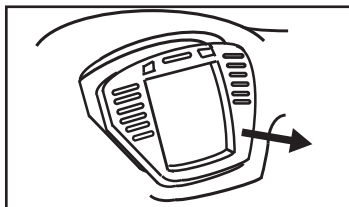
(Figura A)

## DESMONTAJE DEL TABLERO

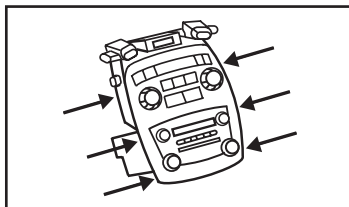
### Toyota Highlander 2001-2007 (sin navegación de fábrica)

1. Jale y quite el panel del tablero del radio y los controles del clima. Sugerencia: Hay 8 ganchos. (Figura A)
2. Quite los (6) pernos de 10mm de los controles del radio y clima. (Figura B)
3. Quite el ensamble y desconecte el cableado.
4. Quite los (8) pernos Phillips y los (4) tornillos Phillips para separar los soportes del ensamble. Guarde los soportes para usarlos al ensamblar el kit. (Figura C)

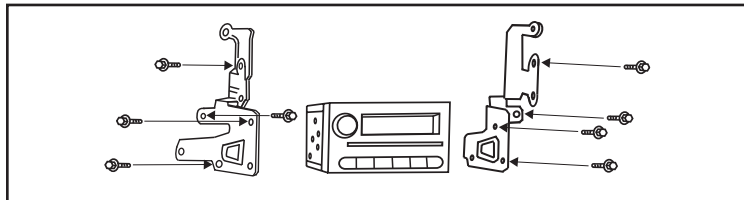
Continúe con la Preparación del Kit



(Figura A)



(Figura B)

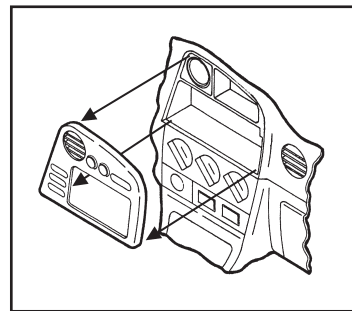


(Figura C)

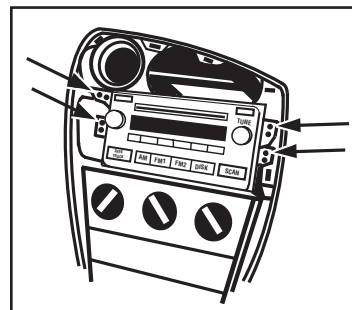
### Toyota Matrix 2005-2008

1. Desenganche el borde inferior del panel de la moldura del radio y luego levante y retire. (Figura A)
2. Quite los (4) pernos de 10mm que sujetan el radio de fábrica. (Figura B)

Continúe con la Preparación del Kit



(Figura A)



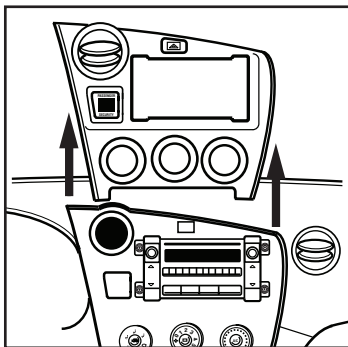
(Figura B)

## DESMONTAJE DEL TABLERO

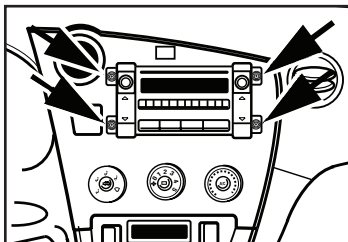
### Toyota Matrix 2009-2010 (con navegación de fábrica)

1. Desenganche el borde inferior del panel de la moldura del radio y luego levante y retire. (Figura A)
2. Quite los (4) pernos de 10mm que sujetan el radio de fábrica. (Figura B)

Continúe con la Preparación del Kit



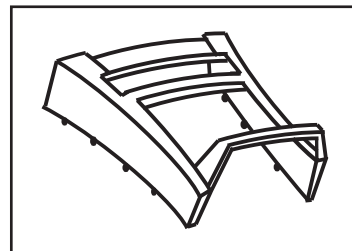
(Figura A)



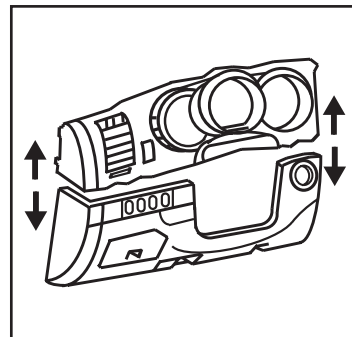
(Figura B)

### Toyota 4-Runner 2003-2009 (excluyendo limited)

1. Suelte a presión y retire la moldura de alrededor de la palanca de velocidades.
2. Suelte a presión y quite las tapas de la moldura de alrededor del borde de la cavidad de la consola central al frente y atrás de la consola.
3. Suelte a presión y quite la tapa de la consola central. (Figura A)
4. Suelte a presión el anillo de moldura que rodea el cilindro de la llave de marcha.
5. Quite (1) perno de 10mm de la parte inferior derecha del panel debajo de la columna de dirección. Suelte a presión el panel y jale para obtener acceso atrás del panel. (Figura B)
6. Quite (1) perno de 10mm de la parte inferior izquierda detrás del panel debajo de la columna de dirección. (Figura B)



(Figura A)



(Figura B)

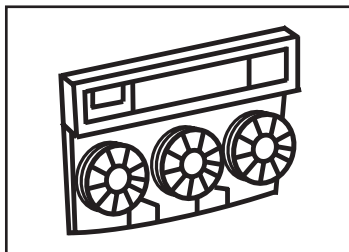
Continúa en la siguiente página

## DESMONTAJE DEL TABLERO

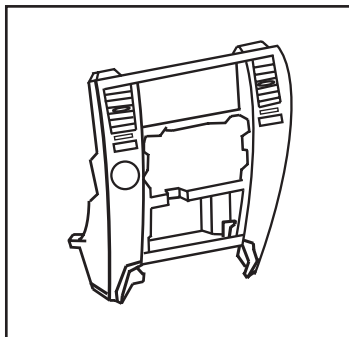
### Toyota 4-Runner 2003-2009 (Cont) (excluyendo limited)

7. Quite (1) perno de 10mm de abajo del control de clima, detrás de la puerta de la cavidad. Suelte a presión y quite el control del clima. (Figura C)
8. Quite los (2) pernos de 10mm de abajo del radio y detrás de los controles del clima.
9. Suelte a presión y quite todo el panel central que rodea el radio. (Figura D)
10. Quite los (2) pernos de 10mm que sostienen el radio.
11. Desconecte y retire el radio.
12. Quite los soportes de fábrica del radio. Guarde los soportes para usarlos al ensamblar el kit.

Continúe con la Preparación del Kit



(Figura B)

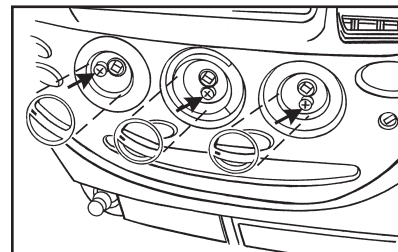


(Figura C)

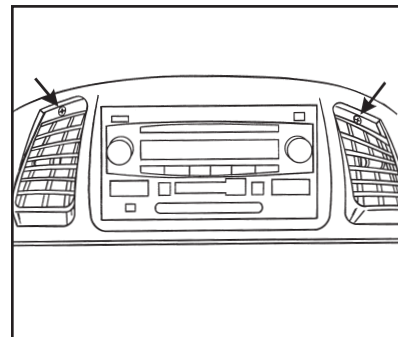
### Toyota Tundra 2003-2006

1. Quite las (3) perillas de control de clima jalando directamente hacia el frente. (Figura A)
2. Quite los (3) tornillos Phillips de atrás de las perillas. (Figura A)
3. Posicione las rejillas orientadas hacia arriba y quite (1) tornillo Phillips de cada rejilla de aire acondicionado. (Figura B)

Continúa en la siguiente página



(Figura A)

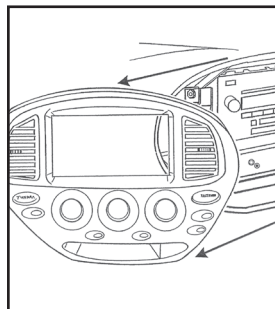


(Figura B)

## DESMONTAJE DEL TABLERO

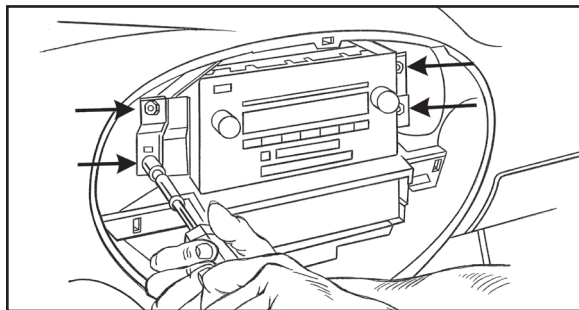
### Toyota Tundra 2003-2006 (Cont)

4. Desenganche y quite todo el panel de la moldura. (Figura C)
5. Quite los (4) pernos de 10mm para quitar el radio. (Figura D)
6. Desconecte y retire el radio.
7. Quite los soportes de fábrica del radio. Guarde los soportes para usarlos al ensamblar el kit.



(Figura C)

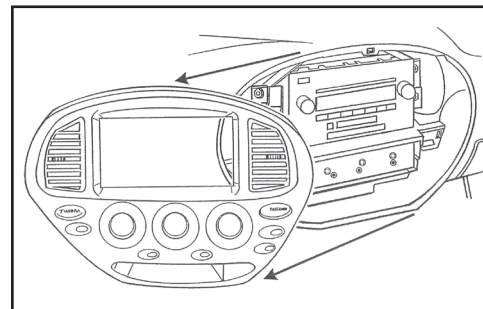
Continúe con la  
Preparación del Kit



(Figura D)

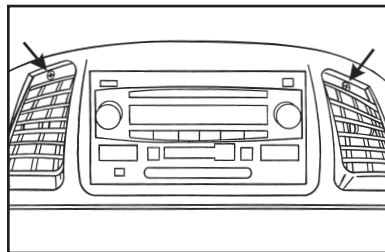
### Toyota Sequoia 2003-2007

1. Posicione las rejillas orientadas hacia arriba y quite (1) tornillo Phillips de cada rejilla de aire acondicionado. (Figura A)
2. Desenganche y quite todo el panel de la moldura del radio, incluyendo los controles del clima. (Figura B)
3. Quite los (4) pernos de 10mm para quitar el radio. (Figura C)
4. Desconecte y retire el radio.
5. Quite los soportes de fábrica del radio. Guarde los soportes para usarlos al ensamblar el kit.

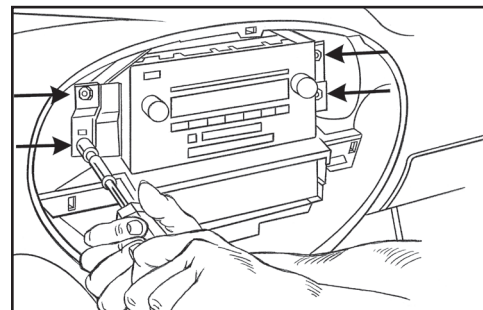


(Figura B)

Continúe con la Preparación del Kit



(Figura A)



(Figura C)

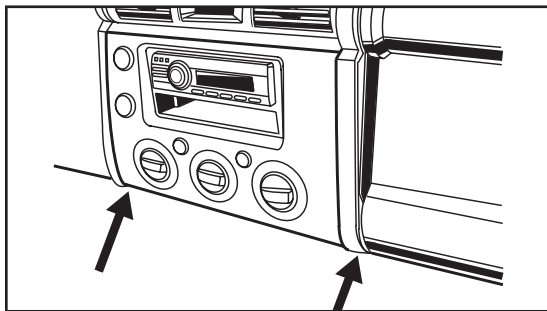


## DESMONTAJE DEL TABLERO

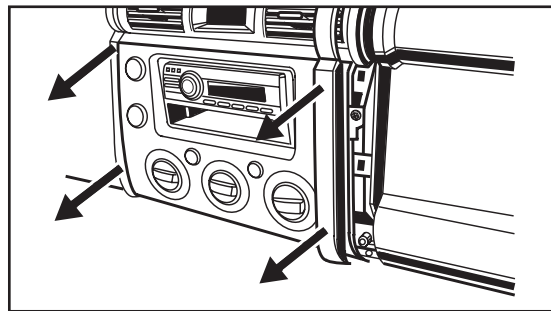
### Toyota FJ Cruiser 2007-2014

1. Quite (2) tornillos Phillips de la parte de abajo de los paneles de la moldura lateral. (Figura A)
2. Con una herramienta de remoción de panel, quite con cuidado los paneles de la moldura lateral. (Figura B)
3. Quite los (2) tornillos Phillips del panel de la moldura del radio. (Figura C)
4. Con la herramienta de remoción de panel, quite con cuidado el panel de la moldura del radio. (Figura D)
5. Quite los (4) pernos de 10mm que sostienen el radio.
6. Desconecte y retire el radio.
7. Quite los soportes de fábrica del radio. Guarde los soportes para usarlos al ensamblar el kit.

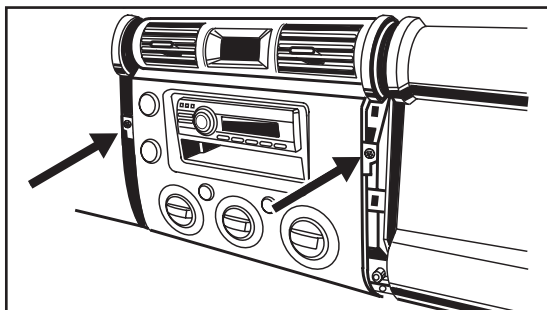
Continúe con la Preparación del Kit



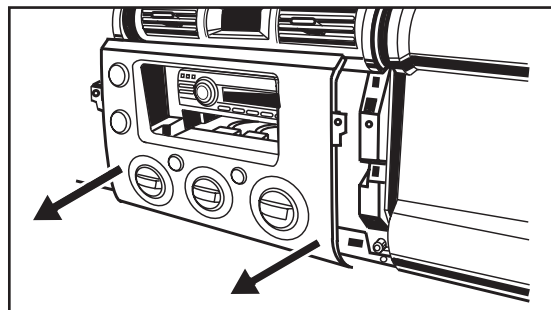
(Figura A)



(Figura B)



(Figura C)



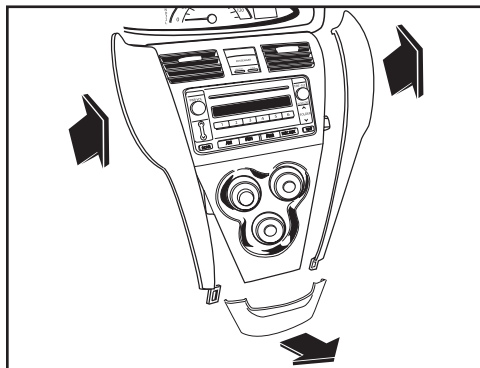
(Figura D)

## DESMONTAJE DEL TABLERO

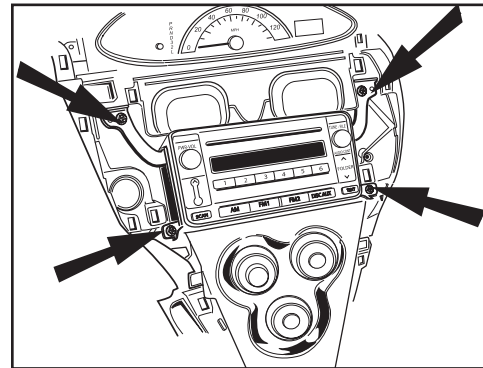
### Yaris 2007-2011 (sin unidad de alimentación)

1. Desenganche el panel de la moldura inferior localizado abajo de los controles de aire acondicionado. (Figura A)
2. Desenganche los dos paneles de la moldura lateral que rodean los controles de aire acondicionado y el radio. (Figura A)
3. Desenganche el panel de la moldura de instrumentos que rodea el velocímetro y los indicadores. (Figura B)
4. Desenganche el panel de la moldura del radio/las rejillas de aire acondicionado. (Figura B)
5. Quite los (4) tornillos Phillips que sostienen el radio. (Figura C)
6. Desconecte y retire el radio.
7. Quite los (4) tornillos Phillips que sujetan los soportes de fábrica a cada lado del radio y quite los soportes. Guarde los soportes para usarlos al ensamblar el kit. (Figura D)

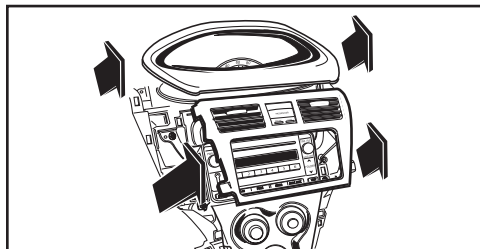
Continúe con la Preparación del Kit



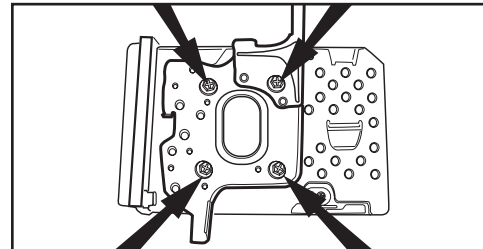
(Figura A)



(Figura C)



(Figura B)



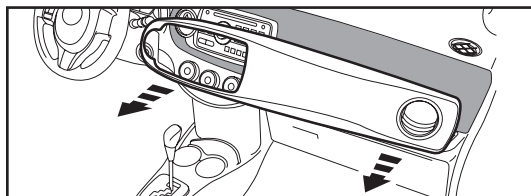
(Figura D)

## DESMONTAJE DEL TABLERO

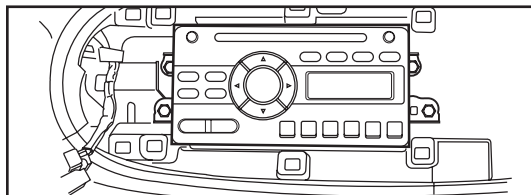
### Yaris 2012-2017

1. Desenganche y quite todo el panel, incluyendo la rejilla de aire acondicionado en el tablero del lado del pasajero. (Figura A)
2. Desenganche y quite el panel de alrededor del radio. (Figura B)
3. Quite los cuatro pernos de 10mm y quite el radio de fábrica. (Figura C)

Continúe con la Preparación del Kit



(Figura A)

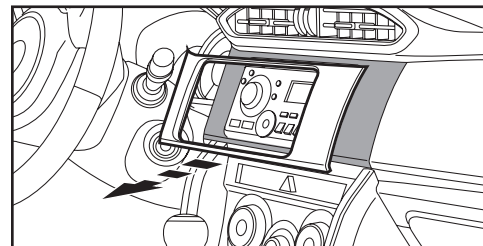


(Figura B)

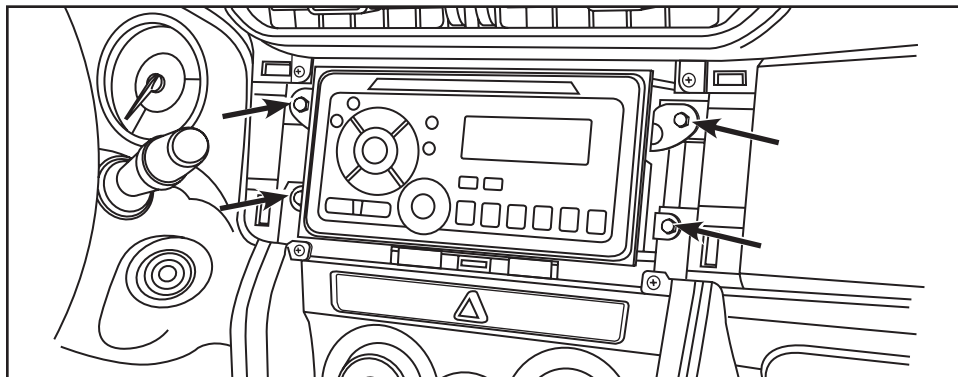
### Scion FR-S 2013-2014

1. Desenganche y quite el panel de alrededor del radio. (Figura A)
2. Quite los cuatro pernos de 10mm y quite el radio de fábrica. (Figura B)

Continúe con la Preparación del Kit



(Figura A)



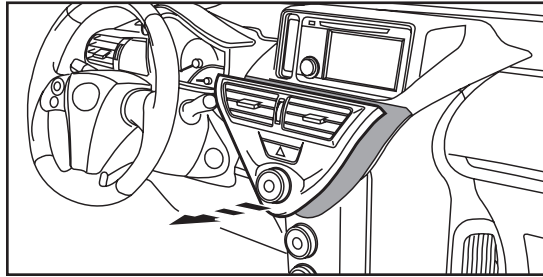
(Figura B)

## DESMONTAJE DEL TABLERO

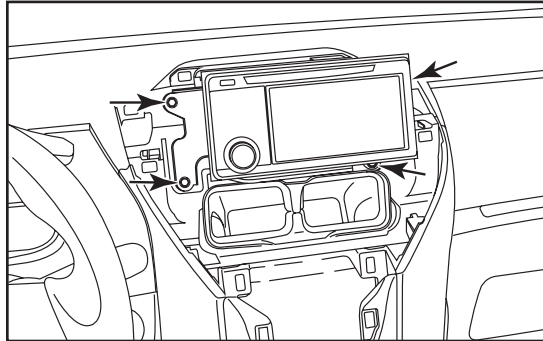
### Scion iQ 2012-2015

1. Desenganche y quite el panel del control del clima. (Figura A)
2. Desenganche y quite el panel de alrededor del radio. (Figura B)
3. Quite los cuatro pernos de 10mm y quite el radio de fábrica. (Figura C)

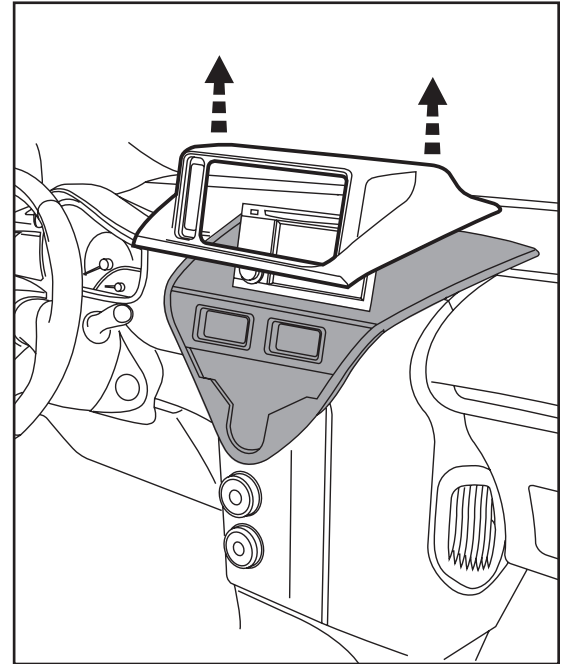
Continúe con la Preparación del Kit



(Figura A)



(Figura C)



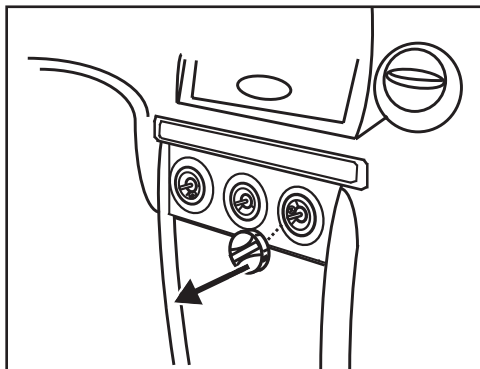
(Figura B)

## DESMONTAJE DEL TABLERO

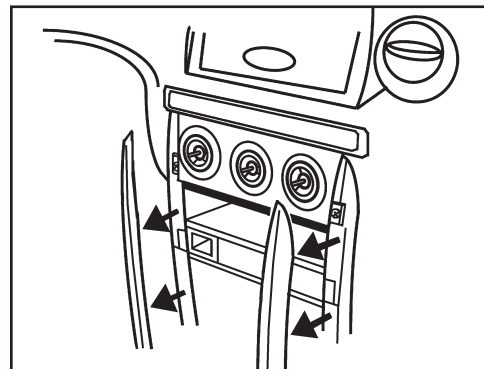
### Scion xA 2004-2006

1. Jale hacia afuera las (3) perillas de control de clima y quítelas. (Figura A)
2. Quite los (2) tornillos Phillips de la parte de atrás de las dos perillas exteriores del clima. (Figura B)
3. Suelte a presión y quite las piezas de moldura de cada lado del ensamble del control de clima/cenicero/bolsillo. (Figura C)
4. Quite los (2) tornillos Phillips de la parte inferior del panel del control de clima/radio y luego suelte a presión y quite todo el panel. (Figura D)
5. Quite los (4) tornillos Phillips para quitar el radio de fábrica.
6. Quite los soportes de fábrica del radio. Guarde los soportes para usarlos al ensamblar el kit.

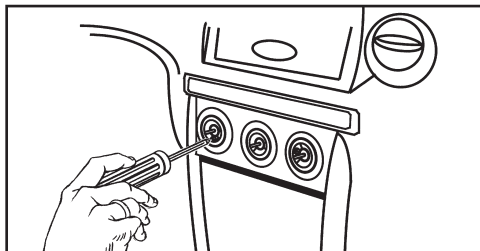
Continúe con la Preparación del Kit



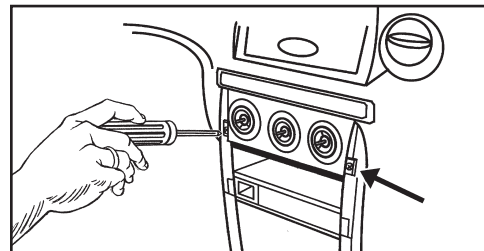
(Figura A)



(Figura C)



(Figura B)



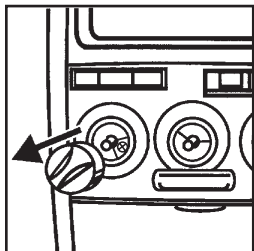
(Figura D)

# DESMONTAJE DEL TABLERO

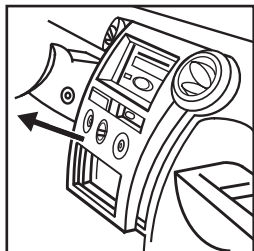
## Scion xB 2004-2006

1. Jale hacia afuera las (3) perillas de control de clima y quítelas. (Figura A)
2. Quite los (2) tornillos Phillips de la parte de atrás de las perillas exteriores (2). (Figura B)
3. Suelte a presión y quite todo el panel que rodea el radio y los controles del clima y aire acondicionado. (Figura C)
4. Quite los (4) tornillos Phillips para quitar el radio de fábrica.
5. Quite los soportes de fábrica del radio. Guarde los soportes para usarlos al ensamblar el kit.

Continúe con la Preparación del Kit



(Figura A)

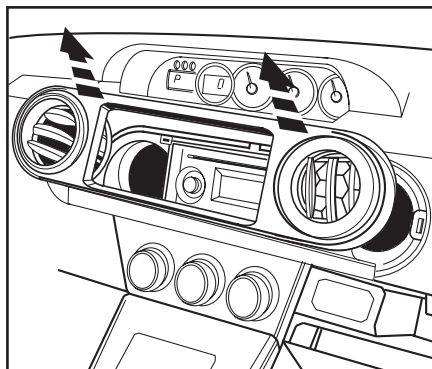


(Figura B)

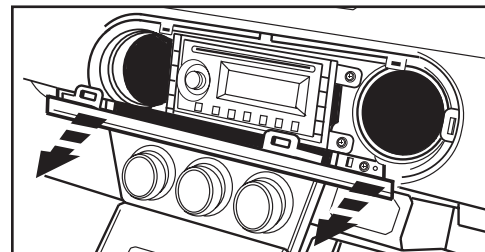
## Scion xB 2008-2015

1. Desenganche y quite el panel de moldura que rodea el radio, incluyendo las rejillas del aire acondicionado. (Figura A)
2. Desenganche y quite el panel de moldura del borde inferior de la cavidad del tablero. (Figura B)
3. Quite los (4) pernos de 10mm que sujetan el radio. (Figura C)

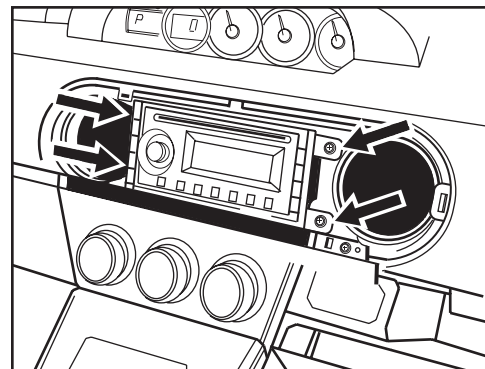
Continúe con la Preparación del Kit



(Figura A)



(Figura B)



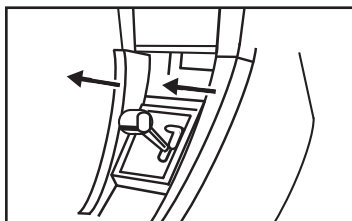
(Figura C)

## DESMONTAJE DEL TABLERO

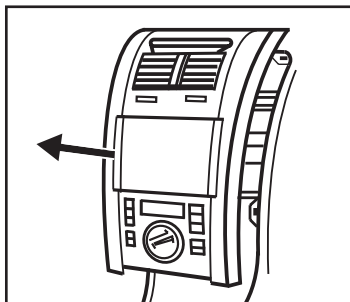
### Scion tC 2005-2010

1. Suelte a presión la moldura que rodea la palanca de velocidades (no es necesario quitarla). (Figura A)
2. Desenganche y quite el panel que rodea el radio (incluyendo los controles del clima y la puerta del radio). (Figura B)
3. Quite (2) tuercas de 10mm de las ubicaciones superiores de montaje y (2) pernos de 10mm de las ubicaciones inferiores de montaje y quite el radio. (Figura C)
4. Quite los soportes de fábrica del radio. Guarde los soportes para usarlos al ensamblar el kit.

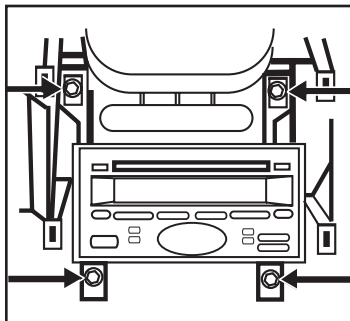
Continúe con la Preparación del Kit



(Figura A)



(Figura B)

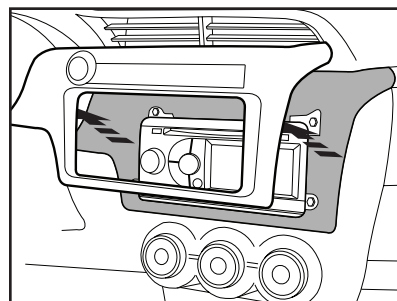


(Figura C)

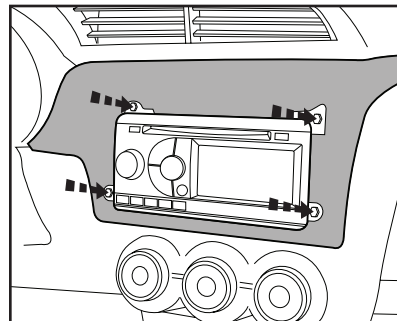
### Scion tC 2011-2016

1. Desenganche y quite el panel de la moldura del radio. (Figura A)
2. Quite los (4) pernos de 10mm que sostienen el radio. (Figura B)
3. Quite los soportes de fábrica del radio. Guarde los soportes para usarlos al ensamblar el kit.

Continúe con la Preparación del Kit



(Figura A)



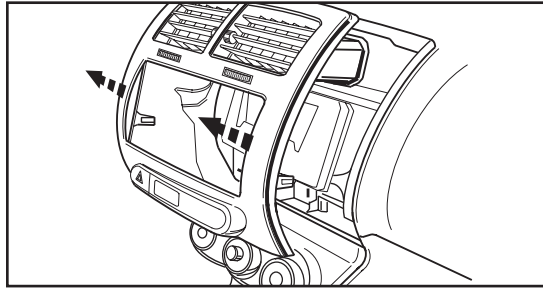
(Figura B)

## DESMONTAJE DEL TABLERO

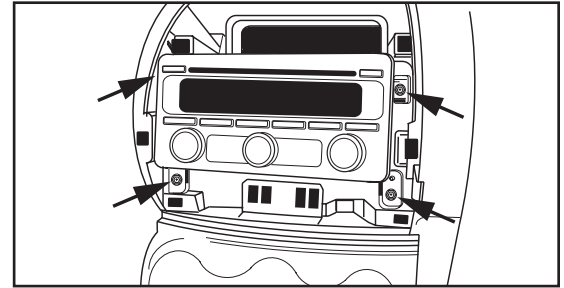
### Scion xD 2008-2014

1. Desenganche el panel de moldura del radio. Desconecte y retire el panel. (Figura A)
2. Retire los (4) tornillos Phillips que sostienen el radio. Desconecte y quite el radio. (Figura B)
3. Quite los soportes de fábrica del radio. Guarde los soportes para usarlos al ensamblar el kit. (Figura C)

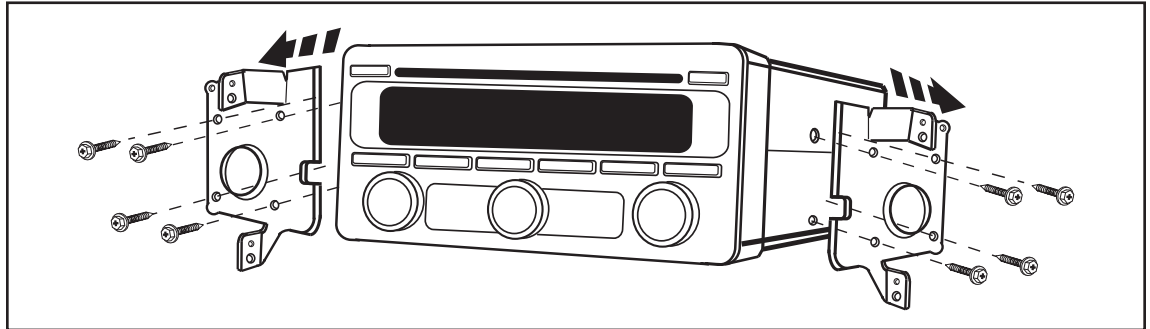
Continúe con la Preparación del Kit



(Figura A)



(Figura B)



(Figura C)

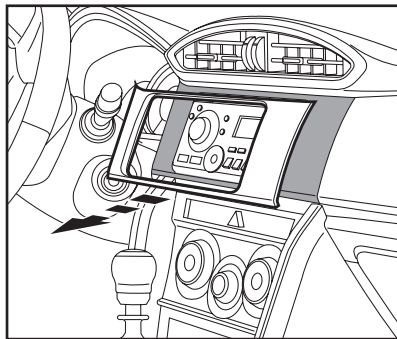


## DESMONTAJE DEL TABLERO

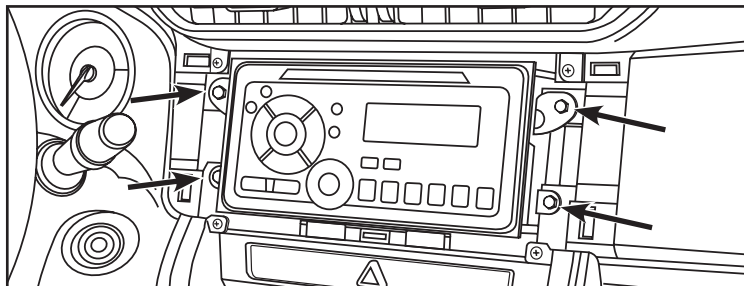
### Subaru BRZ 2013-2015

1. Desenganche y quite el panel de alrededor del radio. (Figura A)
2. Quite los cuatro pernos de 10mm y quite el radio de fábrica. (Figura B)

Continúe con la  
Preparación del Kit



(Figura A)

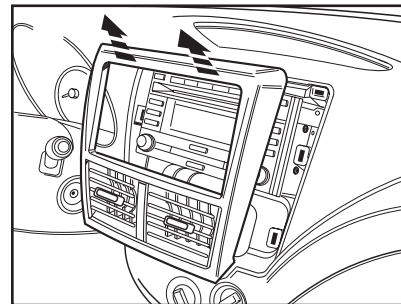


(Figura B)

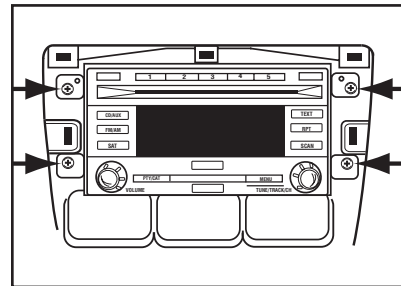
### Subaru Forester (con navegación basada en SD) 2009-2013

1. Desenganche y quite el panel de moldura que rodea el radio de fábrica, incluyendo las rejillas del aire acondicionado. (Figura A)
2. Retire los (4) tornillos Phillips que sostienen el radio. Desconecte y quite el radio. (Figura B)

Continúe con la  
Preparación del Kit



(Figura A)



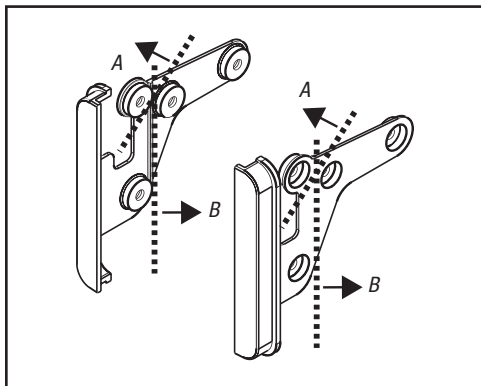
(Figura B)

## PREPARACIÓN DEL KIT

### Para el Scion tC (ambas generaciones) y xA:

Corte la sección delantera superior de las **placas de moldura doble DIN** como se muestra en las líneas punteadas rotuladas "A" en la . (Figura A)

Continúe con *Ensamble del kit*

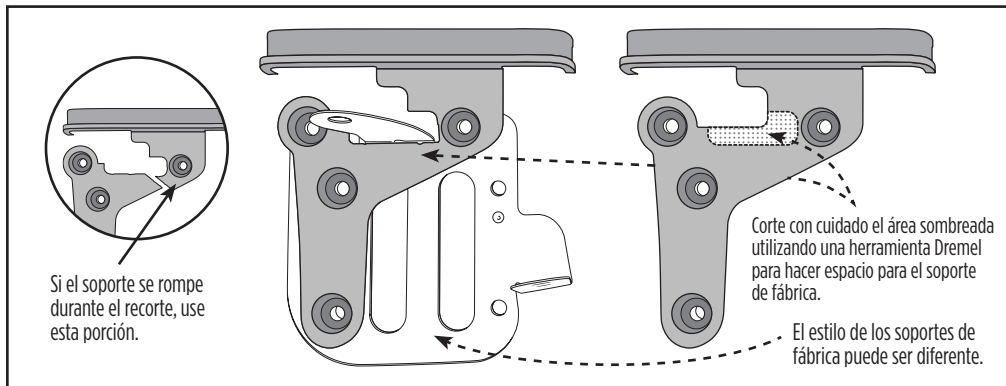


(Figura A)

### Para Toyota Rav4 2001-2005, Toyota Highlander 2001-2007 (sin navegación de fábrica), Toyota Tundra 2003-2006 y Toyota Sequoia 2003-2007:

Corte la sección trasera de las **placas de moldura doble DIN** como se muestra en las líneas punteadas rotuladas "B" en la . (Figura A)

Continúe con *Ensamble del kit*



(Figura B)

### Para Scion FR-S 2013-2016 y Subaru BRZ 2013-2015:

Corte la **placa de moldura doble DIN** como se muestra en la . (Figura B)

**Nota:** Debe tener cuidado al cortar. Debe utilizar una herramienta Dremel y una mano firme. En caso de que el soporte esté dañado, puede utilizarlo usando el orificio sobrante para un solo tornillo. Si elige esta opción, tendrá que soportar la parte posterior del radio para impedir que caiga. (Figura B)

Continúe con *Ensamble del kit*

Para todos los demás vehículos, proceda al **ensamble de kit**.

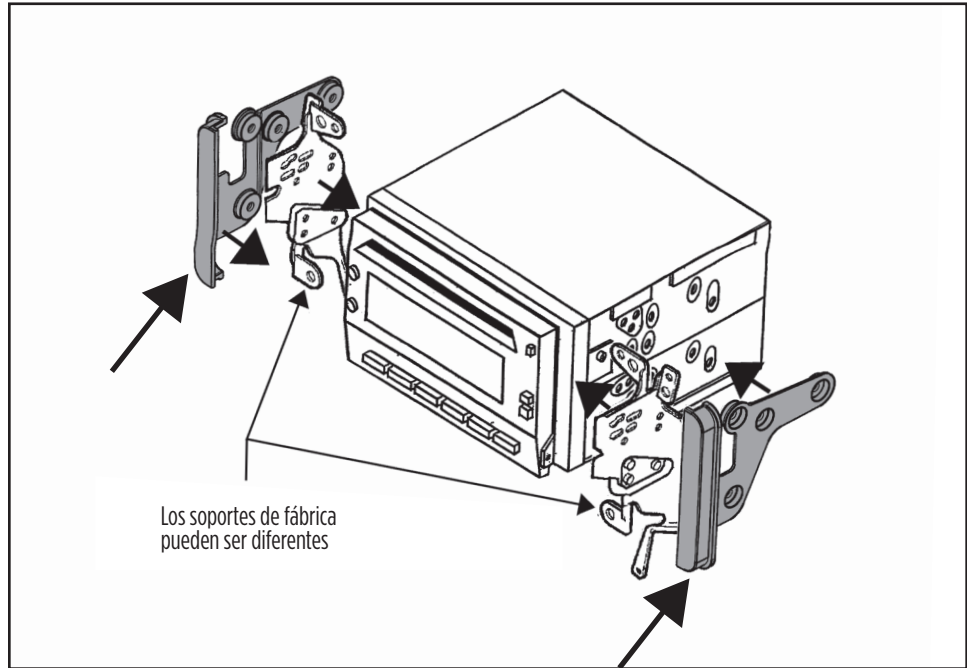
## ENSAMBLE DEL KIT

### Provisión de radio ISO DDIN

1. Si aplica, retire el anillo de moldura del radio de mercado secundario.
2. Coloque los soportes de montaje de fábrica y las **soportes de placas de moldura ISO DDIN** al radio con los tornillos suministrados con la unidad. (Figura B)

**Nota:** Quite las clavijas localizadoras de los soportes de fábrica con la rectificadora.

3. Ubique el arnés de cableado de fábrica en el tablero. Metra recomienda el uso de un adaptador adecuado de acoplamiento de Metra o de AXCESS. Pruebe la unidad para verificar que funcione correctamente.
4. Vuelva a armar el tablero al revés de como lo desarmó.



# KIT (C) INSTRUCCIONES

## CARACTERÍSTICAS DEL KIT

- Provisión de cavidad para instalaciones de radio ISO DIN
- Sostiene (3) estuches de CD
- Diseñado para vehículos equipados con radio doble DIN de fábrica

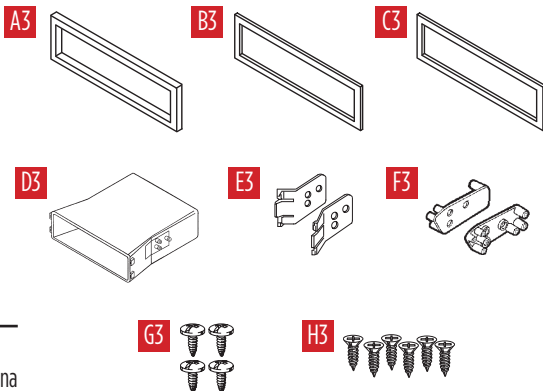
## COMPONENTES DEL KIT

- A) Placa frontal #1 • B) Placa frontal #2 • C) Placa frontal #3
- D) Cavidad • E) Soportes #1 • F) Soportes #2
- G) Tornillos #8 x 1/4" (4) • H) Tornillos de cabeza plana #6 x 1/4" (6)

## CABLEADO Y CONEXIONES DE ANTENA (se venden por separado)

Arnés de cableado: Visite [metraonline.com](http://metraonline.com) para las opciones de arnés de cableado

Adaptador de antena: Visite [metraonline.com](http://metraonline.com) para las opciones de adaptador de antena



## INDICE

Instalación ..... 25-26

## HERRAMIENTAS REQUERIDAS

- Herramienta de corte • Destornillador Phillips

## APPLICATIONS

Ford	Mazda	Saab	Toyota (Cont)	Toyota (Cont)	Volvo
Mustang 1994-2000	626 1993-2000 929 1992-1995	9-5 1999-2009 9-3 1999-2002	Landcruiser 1988-2002 MR2 1985-1995	Supra 1983-1998 Supra 1994-1998	850 1993-1997 940/960 1995-1997
<b>Infiniti</b>	MX3 1992-1996 MX6 1993-1997	<b>Toyota</b>	Paseo 1992-1997 Pickup 1984-1995	T100 1993-1998 Tacoma 1995-2004	C70 1998-2004 S40 2000-2004
G20 1999-2002 G20 1991-1996 J30 1993-1997	Protege 1995-2000 RX-7 1993-1995	4-Runner 1984-2002 Avalon 1995-1999	Previa 1991-1997 Rav 4 1996-2000	Tercel 1983-1998 Tundra 2000-2002	S70 1998-2000 S90/V90 1997-1998
M30 1990-1992 Q45 1990-2001	<b>Nissan</b>	Camry 1983-2001 Celica 1982-1999	Sequoia 2001-2002 Sienna 1996-2003	Van 1984-1990	V40 2000-2004 V70 1998-2000
<b>Lexus</b>	*Todos los modelos equipados con sistemas de pila excepto el Quest.	Corolla 1984-1997 Cressida 1981-1992	Solara 1999-2003		
ES250 1990-1991					

**Nota:** Para instalaciones de bolsillo universales en una abertura DIN de tamaño estándar, consulte las instrucciones de instalación de Ford/Mazda/Mercury.

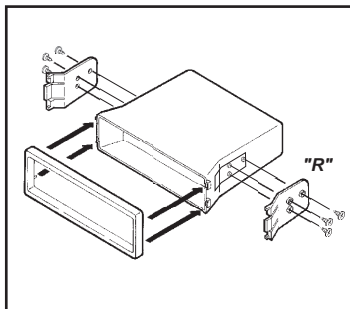
# INSTALACIÓN

## Ford/Mazda

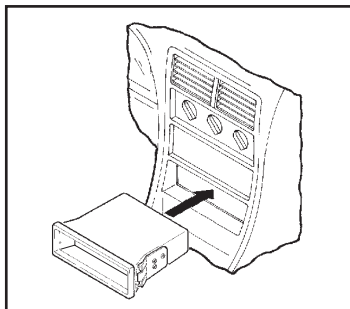
1. Encaje la placa frontal #1 en la parte frontal del cavidad.
2. Localice el juego de soportes #1 y monte el soporte "L" en el lado "L" del cavidad con (3) tornillos de cabeza plana Phillips #6 x 1/4" y el soporte "R" en el lado "R" del cavidad con (3) tornillos de cabeza plana Phillips #6 x 1/4". (Figura A)

**Precaución:** NO apriete demasiado los tornillos.

3. Deslice el ensamble de bolsillo en la abertura del tablero hasta que los clips laterales se enganchen. (Figura B)



(Figura A)



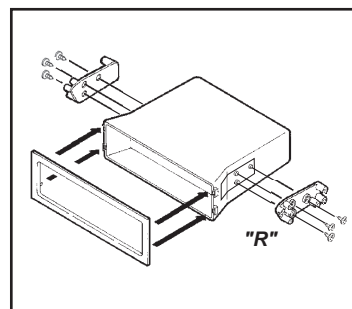
(Figura B)

## Nissan/Infiniti

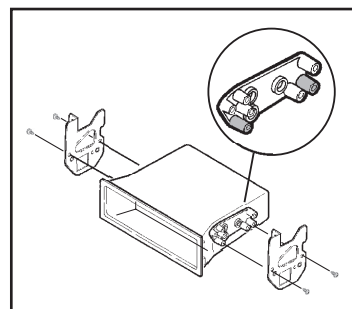
1. Encaje la placa frontal #3 en la parte frontal del cavidad.
2. Localice el juego de soportes #2 y monte el soporte "L" en el lado "L" del cavidad con (3) tornillos de cabeza plana Phillips #6 x 1/4" y el soporte "R" en el lado "R" del cavidad con (3) tornillos de cabeza plana Phillips #6 x 1/4". (Figura A)

**Precaución:** NO apriete demasiado los tornillos.

3. Monte los soportes de fábrica en los salientes sombreados (Figura A) con (4) tornillos Phillips #8 x 1/4" suministrados y monte todo el conjunto en el tablero secundario. (Figura B)



(Figura A)



(Figura B)

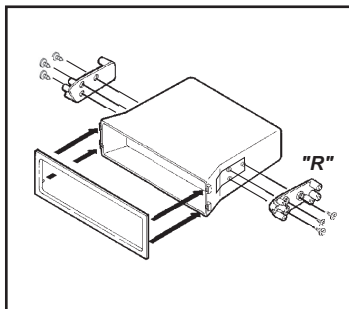
# INSTALACIÓN

## Toyota/Lexus

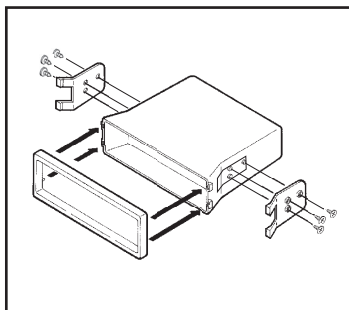
1. Encaje la placa frontal #2 en la parte frontal del cavidad.
2. Localice el juego de soportes #2 y monte el soporte "L" en el lado "L" del cavidad con (3) tornillos de cabeza plana Phillips #6 x 1/4" y el soporte "R" en el lado "R" del cavidad con (3) tornillos de cabeza plana Phillips #6 x 1/4". (Figura A)

**Precaución:** NO apriete demasiado los tornillos.

3. Monte los soportes de fábrica en los salientes sombreados (Figura A) con (4) tornillos Phillips # 8 x 1/4 "suministrados y monte todo el conjunto en el tablero secundario. (Figura B)



(Figura A)



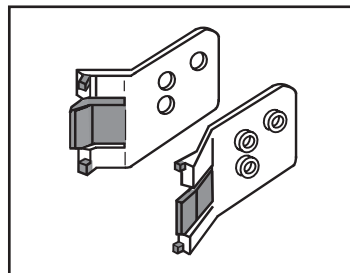
(Figura B)

## Volvo/Saab

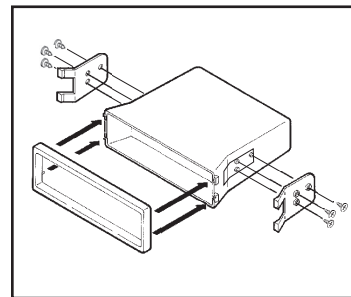
1. Corte y quite las partes sombreadas del conjunto de soporte #1. (Figura A)
2. Encaje la placa frontal #1 en la parte frontal del cavidad. monte el soporte "L" en el lado "L" del cavidad con (3) tornillos de cabeza plana Phillips #6 x 1/4" y el soporte "R" en el lado "R" del cavidad con (3) tornillos de cabeza plana Phillips #6 x 1/4". (Figura B)

**Precaución:** NO apriete demasiado los tornillos.

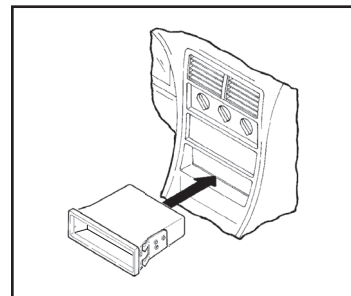
3. Deslice el ensamble de bolsillo en la abertura del tablero hasta que los clips laterales se enganchen. (Figura C)



(Figura A)



(Figura B)



(Figura C)





# INST-WM-TYK01

INSTRUCCIONES DE INSTALACIÓN



¿Tienes dificultades? Estamos aquí para ayudar.



Póngase en contacto con nuestra línea de soporte técnico en:  
**386-257-1187**



O por correo electrónico a:  
[techsupport@metra-autosound.com](mailto:techsupport@metra-autosound.com)

### Horas de soporte técnico (hora estándar del este)

Monday - Friday: 9:00 AM - 7:00 PM

Saturday: 10:00 AM - 7:00 PM

Sunday: 10:00 AM - 4:00 PM



### **KNOWLEDGE IS POWER**

Enhance your installation and fabrication skills by enrolling in the most recognized and respected mobile electronics school in our industry. Log onto [www.installerinstitute.edu](http://www.installerinstitute.edu) or call 386-672-5771 for more information and take steps toward a better tomorrow.



**Metra recomienda MECP  
técnicos certificados**