

ozito

CORDLESS CHAINSAW

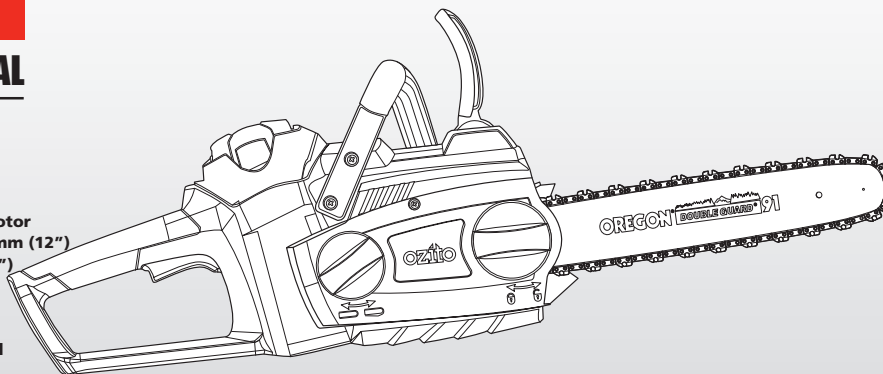
36V Lithium Ion

INSTRUCTION MANUAL

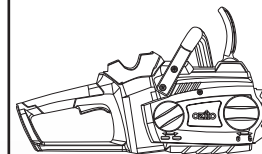
SPECIFICATIONS

Voltage:	36V
Battery:	3.0Ah Li-ion
Charge Time:	3 Hours
Motor:	Brushless Motor
Bar Type:	Oregon 305mm (12")
Chain Pitch:	9.53mm (3/8")
No Load Speed:	8,000/min
Chain Speed:	9m/s
Chain Oil Tank Capacity:	180ml
Chain Oil:	Chain Bar Oil
Weight with battery:	6.5kg

ozito.com.au



WHAT'S IN THE BOX



Chainsaw



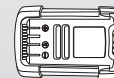
Guide Bar



Chain



Guide Bar Cover



Battery Pack



Battery Charger

3

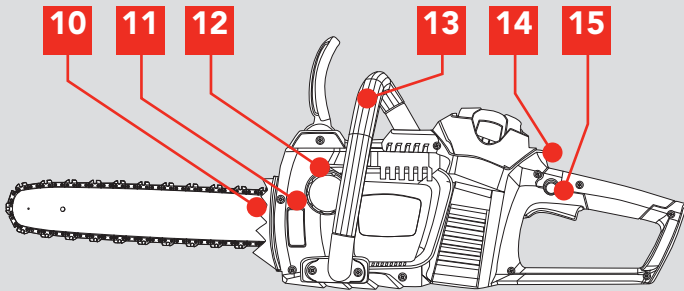
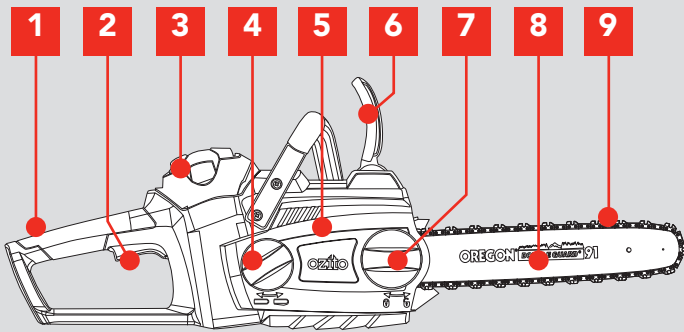
YEAR REPLACEMENT WARRANTY

CSL-036

KNOW YOUR PRODUCT

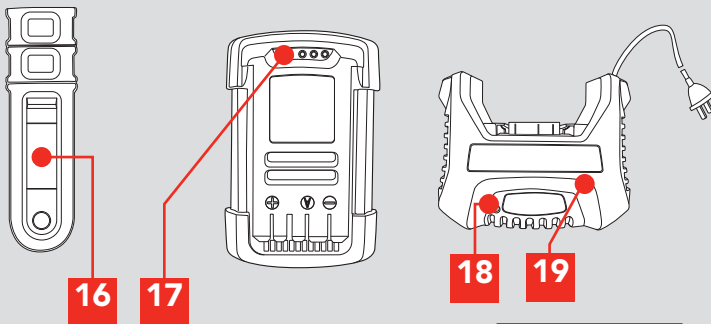
CORDLESS CHAINSAW

- | | |
|------------------------------------|---------------------------|
| 1 Rear Handle | 8 Guide Bar |
| 2 Trigger Switch | 9 Chain |
| 3 Battery | 10 Bucking Spikes |
| 4 Chain Tensioning Adjustment Knob | 11 Oil Level Window |
| 5 Side Cover | 12 Chain Oil Tank Cap |
| 6 Hand Guard / Chain Brake | 13 Front Handle |
| 7 Guide Bar Locking Knob | 14 Battery Release Button |
| | 15 Lock-off Button |



ACCESSORIES

- | | |
|--|------------------------|
| 16 Chain Bar Cover | 18 Battery Charger LED |
| 17 Charge Indicator Button / Status LEDs | 19 Battery Charger |



ONLINE MANUAL

Scan this QR Code with your mobile device to take you to the online manual.



SETUP & PREPARATION

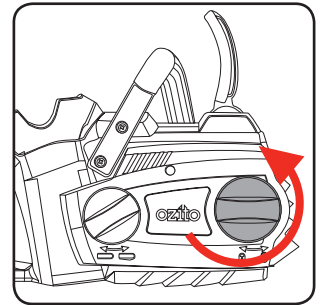
1. ASSEMBLY

Fitting a chain and bar

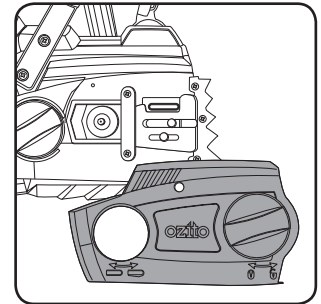
CAUTION: ALWAYS BE SURE THAT THE TOOL IS SWITCHED OFF AND THE BATTERY PACK IS REMOVED BEFORE CARRYING OUT ANY WORK ON THE TOOL.

CAUTION: ALWAYS WEAR GLOVES WHEN HANDLING THE CHAIN AS IT IS VERY SHARP AND CAN CUT YOU WHEN IT IS NOT MOVING.

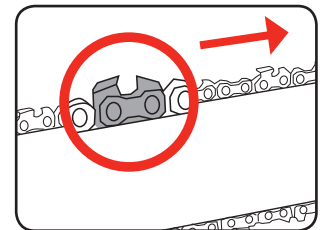
1. Completely unscrew the guide bar locking knob.



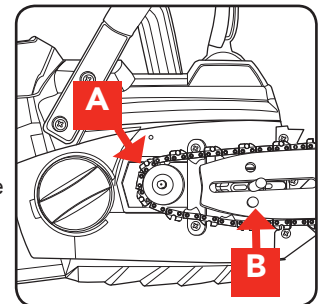
2. Remove the side cover



3. Fit the chain over the guide bar, making sure that the cutters are facing in the direction of rotation.



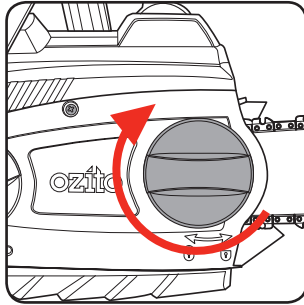
4. Place the guide bar and chain in position, ensuring that the chain is around sprocket wheel (A). Also ensure that the pin (B) fits into the hole in the guide bar.



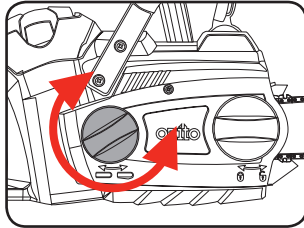
Note: If positioning the chain around the sprocket wheel is proving difficult, turn the chain tensioning adjustment knob anti-clockwise to loosen the tension.

3 YEAR REPLACEMENT WARRANTY

5. Fit the side cover back onto the chainsaw. Screw on the guide bar locking knob but do not fully tighten at this stage.

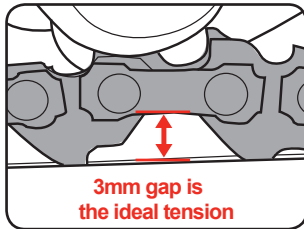


6. Adjust the tension of the chain using the chain tensioning adjustment knob

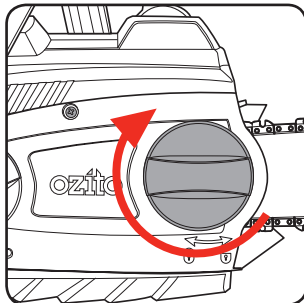


The tension is correct when the chain can be pulled 3mm away from the guide bar when using your finger and thumb.

Do not over-tighten as this will reduce the life of the chain and guide bar.



7. After the chain has been accurately tensioned, lock the guide bar in place with the guide bar locking knob. Tighten with firm finger force.



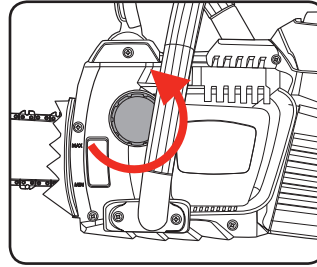
IMPORTANT: THE CHAIN SHOULD BE ADJUSTED BEFORE FIRST USE, AGAIN AFTER 2-3 MINUTES OF OPERATION AND RECHECKED AND ADJUSTED IF NECESSARY AFTER EACH 30 MINUTES OF USE. TAKE CARE NOT TO OVER TENSION THE CHAIN.

IMPORTANT: IT IS VITAL FOR THE PROPER AND SAFE OPERATION OF THE CHAINSAW THAT THE CHAIN IS TENSIONED CORRECTLY.

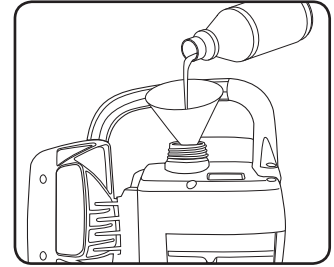
2. OIL

IMPORTANT: ONLY USE OIL THAT IS EXPRESSLY LABELLED "CHAIN BAR OIL".

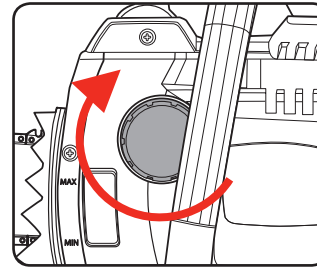
1. Turn the chainsaw onto its side and remove the chain oil tank cap.



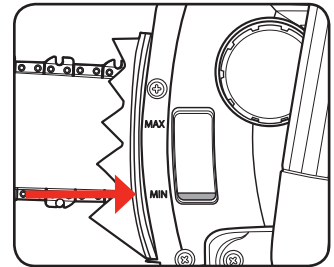
2. Fill the tank with chain bar oil. The capacity of the chain oil tank is 85ml.



3. Refit cap and clean any oil spillage.

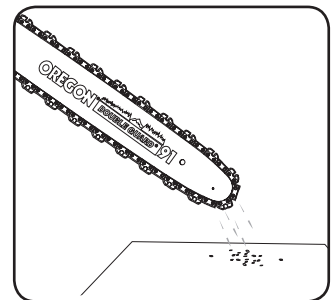


4. Always fill the oil tank when the oil level is below the minimum mark on the oil level window.



WARNING! NEVER START WORK UNLESS THE CHAIN AND BAR ARE LUBRICATED.

5. To check the lubricating system, switch on the chainsaw and hold it with the guide bar and chain above some light coloured paper such as newspaper. A steadily increasing stain caused by oil spray shows the lubricating system is working. Chain bar oil may leak if the tool is left for long periods. This is normal. If the tool is to be left unused for an extended time, drain the oil from the tool. Refill before use.



3. BATTERY & CHARGING

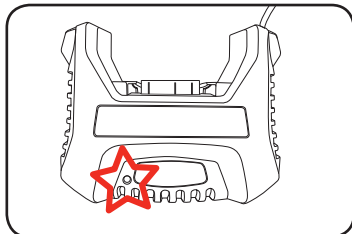
Charging your lithium ion battery

The chainsaw's battery has been shipped in a low charge condition, and requires charging prior to use. Allow several cycles of charging and discharging (through use of the chainsaw) for the battery to reach its optimum performance / runtime.

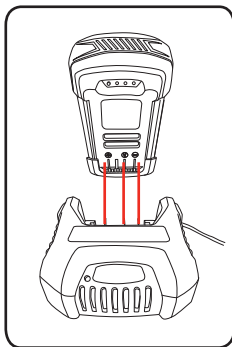
CAUTION! IF THE BATTERY IS TOO HOT OR TOO COLD WHEN INSERTED INTO THE CHARGER, THE CHARGING LED WILL FLASH RED. CHARGING WILL AUTOMATICALLY BEGIN ONCE THE BATTERY REACHES TO CORRECT CHARGING TEMPERATURE.

1. Connect the charger into a mains power outlet.

2. The charger LED will illuminate red showing power is being supplied to the charger.

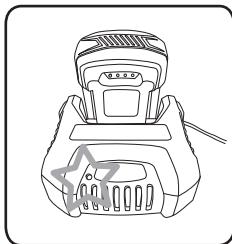


3. With the charger sitting flat on a bench/ table, align the raised ribs on the battery with the recess in the charger and slide onto the charger ensuring a firm connection.



4. The charger LED will flash green signifying that the battery is charging.

5. The charger LED will stop flashing and illuminate green once the battery is fully charged. A battery takes up to 3 hours to become fully charged.

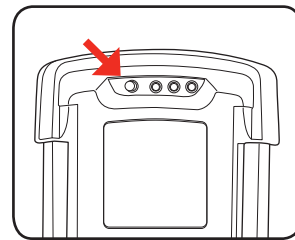


Charger LED Indicator	
LED Indicator	Situation
RED (illuminated)	Stand by (no battery pack is inserted)
GREEN (Flashing)	Battery is charging
GREEN (Illuminated)	Battery is fully charged
RED (Flashing)	Battery pack is too hot or too cold (charging will begin automatically when battery reaches correct charging temperature).

Battery Charge Indicator

The chainsaw battery is equipped with a battery charge indicator to show the state of the battery charge.

Press the charge indicator button and look to see which LED lights.



1 GREEN LED

indicates that the battery requires immediate charging.



2 GREEN LEDs

indicate that the battery has only a low charge and requires charging soon.



3 GREEN LEDs

indicate that the battery is fully charged.

Note: The battery needs to be removed from the chainsaw to check the state of charge.

Battery protection system

The tool is equipped with the battery protection system, which helps to ensure a long service life.

The output power automatically cuts off during operation when the tool and/or battery are placed under the following situations:

- **When the tool is overloaded:**

If this occurs, release the trigger switch and remove causes of overload, then pull the switch trigger again to restart.

- **When the remaining battery capacity becomes low:**

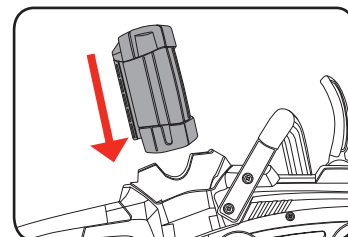
Recharge the battery pack.

Note: The battery protection system does not in any way damage the tool.

Note: The indicated capacity may be lower than the actual level during use or immediately after using the tool.

Inserting the battery pack

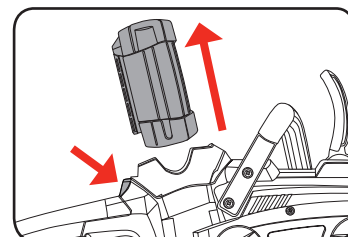
Align the raised ribs on the battery with grooves on the chainsaw. Slide the battery into the chainsaw. Ensure the latch on the bottom of the battery clicks in place and that it is **fully seated and secure**.



Removing the battery pack

1. Push in the battery release button.

2. Lift the battery from its position.

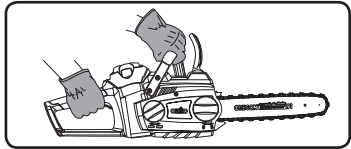
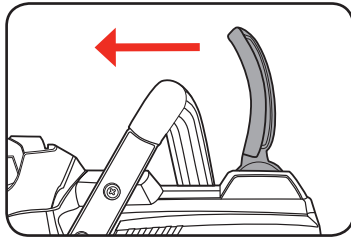


OPERATION

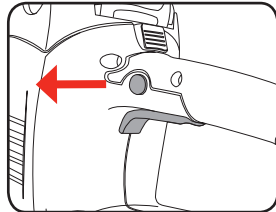
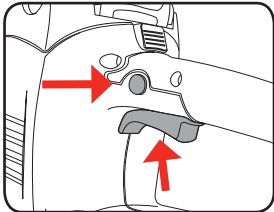
4. SWITCHING ON/OFF

Switching on

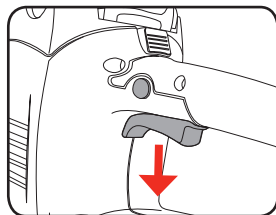
1. Pull the hand guard/chain brake towards you. The brake may be stiff and may require to be moved with some force.
2. Hold the front handle with your left hand and the rear handle with your right hand.



3. Press the lock-off button with your thumb, then squeeze the trigger switch. The chainsaw starts after a short delay.



4. The chain will now be running, ready to make a cut. Release the lock-off switch.



Switching off

1. Release the trigger switch. The chain quickly stops but the motor will take a short time to continue to run down.

Running in the chain

Prior to operation, a new chain should be run in for 2-3 minutes and then its tension should be checked and adjusted as detailed in "MAINTENANCE".

Chain brake

The chain brake operates automatically in the event of kick back.

The chainsaw is fitted with a hand guard/chain brake which when operated brings the chain to a stop within a tenth of a second.



The chain brake can be operated manually by pushing it forward or automatically as a result of kickback.

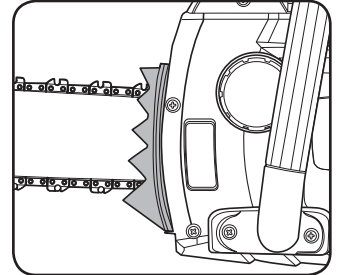
Kickback occurs if the chain catches on the wood being cut and the chainsaw pushes back suddenly.

In the event of kickback, your hand (which is on the front handle during operation) jerks forward causing the back on your hand to push the guard forward, engaging the chain brake and quickly stopping the chain.

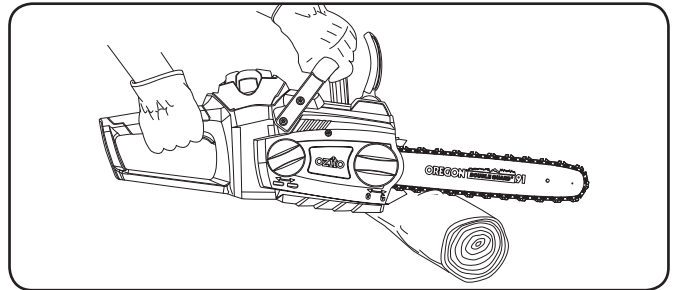
5. CUTTING

CAUTION: FIRST TIME USERS SHOULD, AS A MINIMUM PRACTISE, CUT LOGS ON A SAW-HORSE OR CRADLE

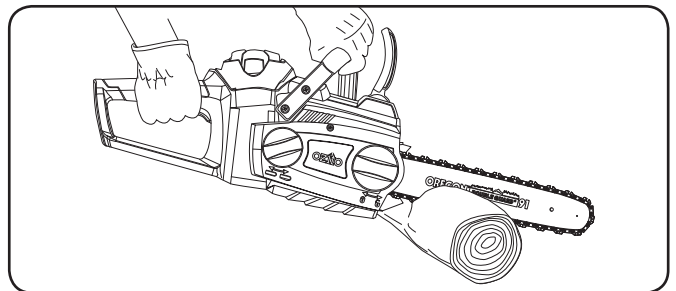
1. Press the bucking spikes against the timber ensuring the chain is not making contact with the material being cut.



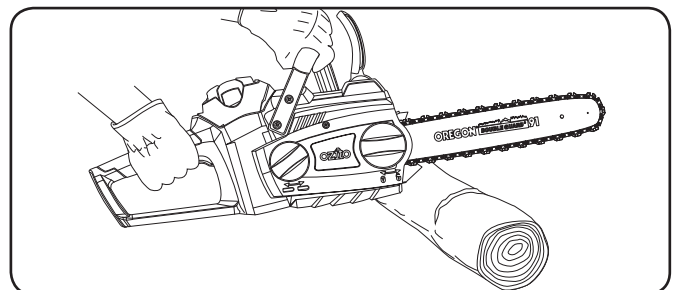
2. Start cutting by holding the chainsaw by the front handle and raising the rear handle.



3. If you cannot cut the timber in a single stroke, apply light pressure to the front handle and continue sawing, draw the chainsaw back a little then apply the bucking spikes a little lower and finish the cut by raising the rear handle.



4. Withdraw the chainsaw from the cut while the chain is still running.

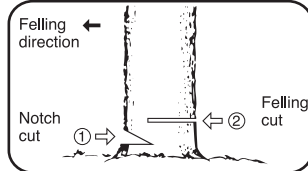


APPLICATIONS

Felling a tree

WARNING! FELLING A TREE SHOULD ONLY BE DONE BY TRAINED OPERATORS.

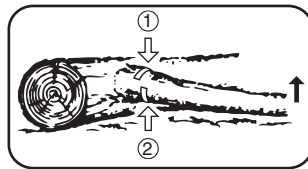
Decide the direction in which you wish the tree to fall, taking into account the direction of the wind, the position of branches, lean of the tree, ease of subsequent limbing and bucking and other factors prevalent at the time.



Limbing

WARNING! ALWAYS KEEP A BALANCED STANCE. DO NOT STAND ON THE LOG. BE ALERT TO THE FACT THAT THE LOG MAY ROLL OVER. WHEN WORKING ON A SLOPE, ALWAYS STAND ON THE UP HILL SIDE OF THE LOG.

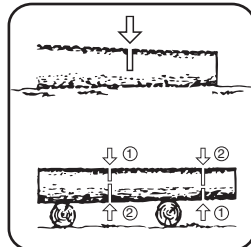
Limbing is the process of removing the branches from a fallen tree. Check the direction in which a branch will bend before cutting it. Always cut on the opposite side to the bending direction so that the guide bar is not pinched in the cut. For large limbs that cannot be removed in one cut, make an initial cut from the bent side and finish by sawing from the opposite direction. Do not remove limbs that are supporting the fallen tree on the ground until the tree has been cut into lengths.



Bucking

Bucking is cutting a log into lengths for easier handling. To saw a log lying on the ground, first saw halfway, then roll the log over and cut from the opposite side.

To saw the end of a log supported off the ground, first saw up from the bottom one-third through the log then finish by sawing down from the top. To saw a log in the middle of two supports holding it off the ground, first saw down from the top one-third through the log then finish by sawing up from the bottom.

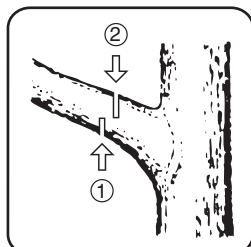


CAUTION! AVOID CUTTING INTO THE GROUND AS THIS WILL VERY QUICKLY DULL THE SAW CHAIN.

Pruning

WARNING! DO NOT USE AN UNSTABLE FOOTHOLD OR LADDER. DO NOT OVERREACH. DO NOT SAW ABOVE SHOULDER HEIGHT. ALWAYS USE BOTH HANDS TO HOLD THE SAW. FIRST CUT UP FROM THE BOTTOM AND FINISH DOWN FROM THE TOP.

Pruning is the removal of a limb or branch from a standing tree.



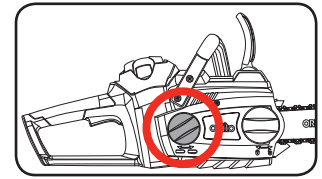
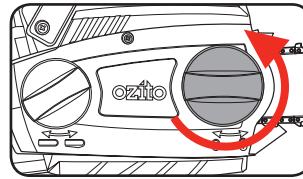
MAINTENANCE

6. GENERAL MAINTENANCE

WARNING! BEFORE CLEANING YOUR CHAINSAW OR CARRYING OUT ANY MAINTENANCE PROCEDURE, MAKE SURE THAT THE MOTOR IS OFF AND THE BATTERY REMOVED TO PREVENT ACCIDENTAL STARTING.

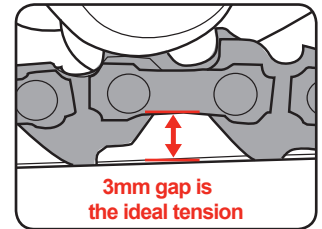
Adjusting the chain tension

1. Loosen the guide bar locking knob slightly, by rotating it in an anti clockwise direction.
2. Adjust the tension of the chain using the chain tensioning adjustment knob. Turn clockwise to tighten, anti-clockwise to loosen.



The tension is correct when the chain can be pulled 3mm away from the guide bar when using your finger and thumb.

Do not over-tighten as this will reduce the life of the chain and guide bar.



3. After the chain has been accurately tensioned, lock the guide bar in place with the guide bar locking knob.

Maintaining the guide bar

1. Remove any sawdust from the guide bar, including the groove. Oil and sawdust combine and emit a burning smell during operation if the blade is not regularly cleaned.
2. Make sure that the oil port is not clogged. Grease the nose sprocket at the tip of the guide bar.
3. Check for oil leakage and loose fastenings, especially those securing the handles and the guide bar.
4. Clean any dust away from the cooling vents as clogged vents can cause overheating. By maintaining a clean unit you will extend the useful life of the chain and the tool in general.

Chain Sharpening

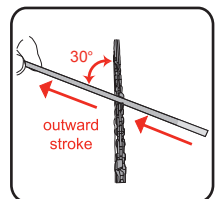
Chain File: 3.96mm (5/32")

Chain Pitch: 9.53mm (3/8")

Chain Gauge: 1.3mm (0.050")

Sharpen the chain regularly to maintain optimum performance of the saw. Signs of a dull chain are:

- The sawdust becomes powder-like
- Extra force is required to execute a cut
- The cut does not track in a straight line
- Increased vibration



WARNING! WEAR HEAVY GLOVES WHEN HANDLING THE CHAIN. HOLD THE GUIDE BAR SECURELY IN A VICE.

Sharpen each cutter using a chain file. Always use outward strokes and maintain a 30° angle between the chain and file. After sharpening, the cutters must all have the same width and length.

After every 3–4 uses get an authorised repair centre to professionally sharpen your chain. They have the special tools necessary to ensure the correct cutting angles and depths.

Guide bar wear

Reverse the guide bar every 8 working hours to ensure uniform wear. Check the guide rails frequently and if necessary remove burrs and square up the rails using a flat file.

HINTS & TIPS

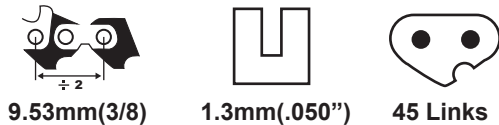
- Do not force the saw into the cut. Apply only light pressure whilst running the engine at full throttle.
- If the chain gets caught in the cut, do not try to remove it by twisting the guide or pulling forcibly. Use a lever or wedge to open up the cut so that the chain is freed.
- While cutting, always:
 - Run the chainsaw motor at full revs. This makes the job safer, as there is less chance of pull-in or kick-back.
 - Position your body to the left of the chainsaw so if it kicks back uncontrollably, it goes over your right shoulder, never stand in the cutting line of the saw.
 - Keep a firm grip with your left hand on the front handle, with your thumb securely below the handle.
- The swivel of your wrist in a kick-back situation will activate the chain brake.
- Make sure the chain is tensioned correctly.

SPARE PARTS

Spare Part	Part No.
Battery Pack	ACCLB-136
Charger	ACCLC-036

Chain Replacement:

The chain can be purchased through Ozito spare parts or from your local Bunnings Warehouse. The correct chain can be purchased by matching the pitch, gauge and number of links as shown below:



Spare parts can be ordered from the Special Orders Desk at your local Bunnings Warehouse.

For further information, or any parts not listed here, visit www.ozito.com.au or contact Ozito Customer Service:

Australia 1800 069 486

New Zealand 0508 069 486

E-mail: enquires@ozito.com.au

CARING FOR THE ENVIRONMENT



Power tools that are no longer usable should not be disposed of with household waste but in an environmentally friendly way. Please recycle where facilities exist. Check with your local council authority for recycling advice.



Recycling packaging reduces the need for landfill and raw materials. Reuse of recycled material decreases pollution in the environment. Please recycle packaging where facilities exist. Check with your local council authority for recycling advice.

DESCRIPTION OF SYMBOLS

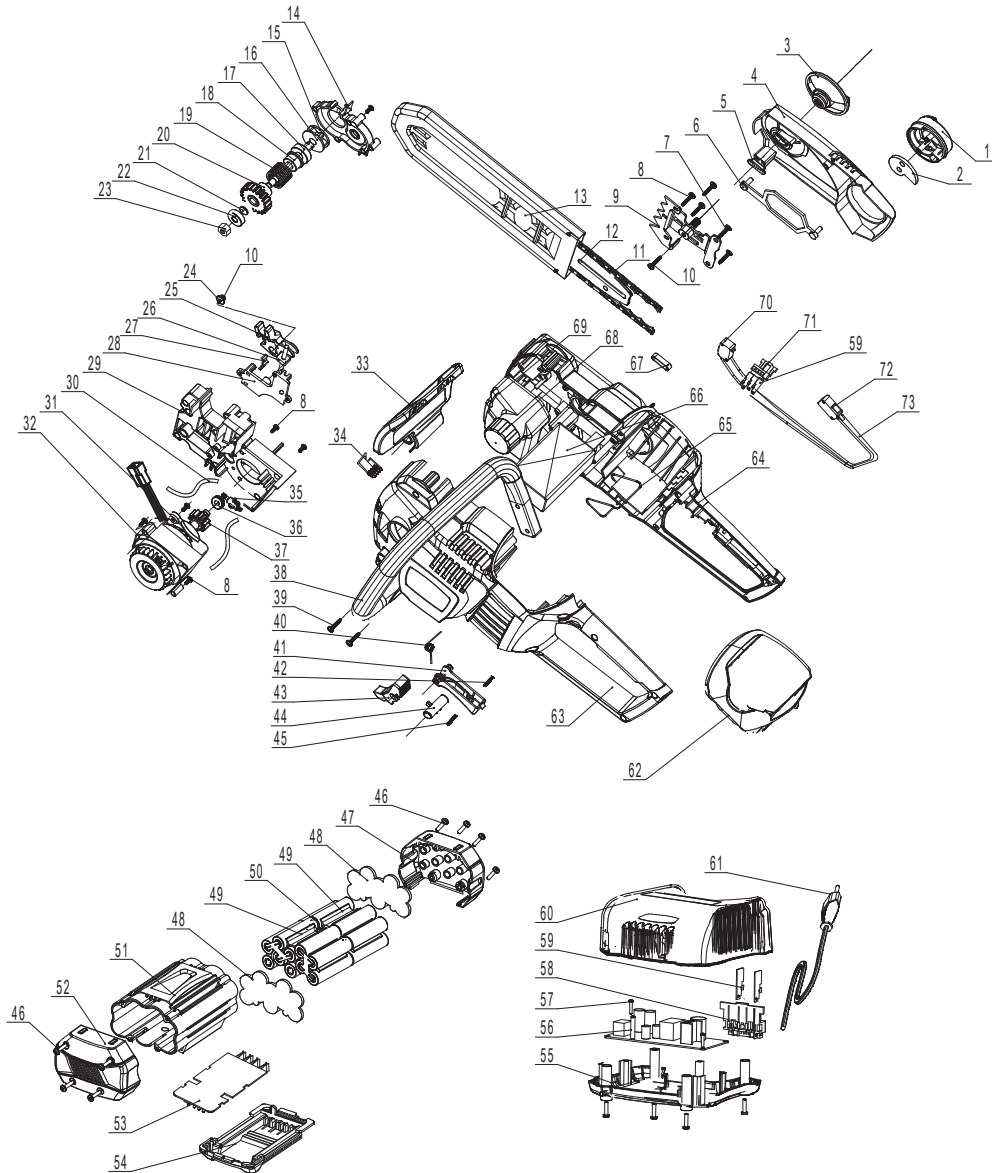
V	Volts	Hz	Hertz
~	Alternating current	W	Watts
dc/---	Direct current	\emptyset	Diameter
mA	Milliamperes	No	No load speed
/min	Revolutions or reciprocation per minute		Double insulated
	Regulator compliance mark		Transformer Energy Rating (MEPS)
	Read instruction manual		Wear muffs and safety glasses
	Thermal cut-out protection		Decibel level
	Indoor use only		Warning
	Lithium Ion-battery		Do not use or store battery in temperatures exceeding 50°C
	Recycle battery		Do not put in the rubbish
	Do not incinerate		Do not get battery wet
	Always hold the saw with both hands		
	Keep bystanders away. Do not saw whilst people especially children or pets are in the area.		
	Beware of kickback		
	Blade continues to rotate after the machine is switched off. Wait until all machine components have completely stopped before touching them.		
	Do not saw in the rain or leave the chainsaw outdoors while raining.		



BATTERY AND CHARGER SAFETY WARNINGS

THIS MANUAL CONTAINS IMPORTANT SAFETY AND OPERATING INSTRUCTIONS FOR YOUR BATTERY CHARGER.

1. Before using the charger read all instructions and cautionary markings on the charger, battery pack and the product using the battery pack.
2. This charger is not intended for any uses other than charging rechargeable batteries. Any other use may result in risk of fire, electric shock or electrocution.
3. Do not place any object on top of the charger or place the charger on a soft surface that may result in excessive internal heat. Place the charger in a position away from any heat source.
4. To reduce risk of damage to the electric plug and cord, pull by the plug rather than the cord when disconnecting the charger.
5. Make sure the cord is located so that it will not be stepped on, tripped over, or otherwise subjected to damage or stress.
6. An extension cord should not be used unless absolutely necessary. Use of an improper extension cord could result in the risk of fire, electric shock or electrocution.
7. Do not operate the charger if it has received a sharp blow, been dropped or otherwise damaged in any way. Have it checked by an electrician or power tool repairer.
8. Do not disassemble charger. Take it to an electrician or power tool repairer when service or repair is required. Incorrect reassembly may result in a risk of electric shock, electrocution or fire.
9. To reduce risk of electric shock, unplug the charger from the outlet before attempting any cleaning. Removing the battery pack will not reduce this risk.
10. Never attempt to connect 2 chargers together.
11. DO NOT store or use the tool and battery pack in locations where the temperature may reach or exceed 40°C (such as inside sheds or metal buildings in summer).
12. The charger is designed to operate on standard household electrical power (240 volts). Do not attempt to use it on any other voltage!
13. The battery pack is not fully charged out of the carton. First read the safety instructions and then follow the charging notes and procedures.
14. The longest life and best performance can be obtained if the battery pack is charged when the air temperature is between 18 - 24°C. Do not charge the battery pack in an air temperature below 10°C or above 40°C. This is important and will prevent damage to the battery pack.
15. Do not incinerate the battery pack even if it is seriously damaged or is completely worn out. The battery can explode in a fire.
16. Never attempt to open the battery pack for any reason. If the plastic housing of the battery pack breaks or cracks, immediately discontinue use and do not recharge.
17. During charging, the battery must be placed in a well ventilated area.



The following is a list of spare parts carried by Ozito.
Please contact Customer Service for any parts not listed.

Item No.	Description	Part No.	Item No.	Description	Part No.
-	Battery Pack	ACCLB-136			
-	Charger	ACCLC-036			

How To Order

Available spare parts can be ordered through the Special Orders Desk at any Bunnings Warehouse. If you have any further questions, please contact Ozito Customer Service on:

Australia: 1800 069 486

New Zealand: 0508 069 486

enquiries@ozito.com.au

ELECTRICAL SAFETY



WARNING! When using mains-powered tools, basic safety precautions, including the following, should always be followed to reduce risk of fire, electric shock, personal injury and material damage.

Read the whole manual carefully and make sure you know how to switch the tool off in an emergency, before operating the tool.

Save these instructions and other documents supplied with this tool for future reference.

The electric motor has been designed for 230V and 240V only. Always check that the power supply corresponds to the voltage on the rating plate.

Note: The supply of 230V and 240V on Ozito tools are interchangeable for Australia and New Zealand.



This tool's charger is double insulated in accordance with AS/NZS 60745-1; therefore no earth wire is required.

If the supply cord is damaged, it must be replaced by an electrician or a power tool repairer in order to avoid a hazard.

Note: Double insulation does not take the place of normal safety precautions when operating this tool. The insulation system is for added protection against injury resulting from a possible electrical insulation failure within the tool.

Using an Extension Lead

Always use an approved extension lead suitable for the power input of this tool. Before use, inspect the extension lead for signs of damage, wear and ageing. Replace the extension lead if damaged or defective.

When using an extension lead on a reel, always unwind the lead completely. Use of an extension lead not suitable for the power input of the tool or which is damaged or defective may result in a risk of fire and electric shock.

To reduce the risk of electric shock, we recommend the use of a residual current device (rated 30mA or less).

GENERAL POWER TOOL SAFETY WARNINGS

WARNING! Read all safety warnings and all instructions. Failure to follow the warnings and instructions may result in electric shock, fire and/or serious injury.

Save all warnings and instructions for future reference. The term "power tool" in the warnings refers to your mains-operated (corded) power tool or battery-operated (cordless) power tool.

1. Work area safety

- Keep work area clean and well lit. Cluttered or dark areas invite accidents.
- Do not operate power tools in explosive atmospheres, such as in the presence of flammable liquids, gases or dust. Power tools create sparks which may ignite the dust or fumes.
- Keep children and bystanders away while operating a power tool. Distractions can cause you to lose control.

2. Electrical safety

- Power tool plugs must match the outlet. Never modify the plug in any way. Do not use any adapter plugs with earthed (grounded) power tools. Unmodified plugs and matching outlets will reduce risk of electric shock.
- Avoid body contact with earthed or grounded surfaces, such as pipes, radiators, ranges and refrigerators. There is an increased risk of electric shock if your body is earthed or grounded.
- Do not expose power tools to rain or wet conditions. Water entering a power tool will increase the risk of electric shock.
- Do not abuse the cord. Never use the cord for carrying, pulling or unplugging the power tool. Keep cord away from heat, oil, sharp edges or moving parts. Damaged or entangled cords increase the risk of electric shock.
- When operating a power tool outdoors, use an extension cord suitable for outdoor use. Use of a cord suitable for outdoor use reduces the risk of electric shock.
- If operating a power tool in a damp location is unavoidable, use a residual current device (RCD) protected supply. Use of an RCD reduces the risk of electric shock.

3. Personal safety

- Stay alert, watch what you are doing and use common sense when operating a power tool. Do not use a power tool while you are tired or under the influence of drugs, alcohol or medication. A moment of inattention while operating power tools may result in serious personal injury.
- Use personal protective equipment. Always wear eye protection. Protective equipment such as dust mask, non-skid safety shoes, hard hat, or hearing protection used for appropriate conditions will reduce personal injuries.
- Prevent unintentional starting. Ensure the switch is in the off-position before connecting to power source and/or battery pack, picking up or carrying the tool. Carrying power tools with your finger on the switch or energising power tools that have the switch on invites accidents.
- Remove any adjusting key or wrench before turning the power tool on. A wrench or a key left attached to a rotating part of the power tool may result in personal injury.
- Do not overreach. Keep proper footing and balance at all times. This enables better control of the power tool in unexpected situations.

- Dress properly. Do not wear loose clothing or jewellery. Keep your hair, clothing and gloves away from moving parts. Loose clothes, jewellery or long hair can be caught in moving parts.
 - If devices are provided for the connection of dust extraction and collection facilities, ensure these are connected and properly used. Use of dust collection can reduce dust-related hazards.
- ## 4. Power tool use and care
- Do not force the power tool. Use the correct power tool for your application. The correct power tool will do the job better and safer at the rate for which it was designed.
 - Do not use the power tool if the switch does not turn it on and off. Any power tool that cannot be controlled with the switch is dangerous and must be repaired.
 - Disconnect the plug from the power source and/or the battery pack from the power tool before making any adjustments, changing accessories, or storing power tools. Such preventive safety measures reduce the risk of starting the power tool accidentally.
 - Store idle power tools out of the reach of children and do not allow persons unfamiliar with the power tool or these instructions to operate the power tool. Power tools are dangerous in the hands of untrained users.
 - Maintain power tools. Check for misalignment or binding of moving parts, breakage of parts and any other condition that may affect the power tool's operation. If damaged, have the power tool repaired before use. Many accidents are caused by poorly maintained power tools.
 - Keep cutting tools sharp and clean. Properly maintained cutting tools with sharp cutting edges are less likely to bind and are easier to control.
 - Use the power tool, accessories and tool bits etc. in accordance with these instructions, taking into account the working conditions and the work to be performed. Use of the power tool for operations different from those intended could result in a hazardous situation.
- ## 5. Battery tool use and care
- Recharge only with the charger specified by the manufacturer. A charger that is suitable for one type of battery pack may create a risk of fire when used with another battery pack.
 - Use power tools only with specifically designated battery packs. Use of any other battery packs may create a risk of injury and fire.
 - When battery pack is not in use, keep it away from other metal objects, like paper clips, coins, keys, nails, screws or other small metal objects, that can make a connection from one terminal to another. Shorting the battery terminals together may cause burns or a fire.
 - Under abusive conditions, liquid may be ejected from the battery; avoid contact. If contact accidentally occurs, flush with water. If liquid contacts eyes, additionally seek medical help. Liquid ejected from the battery may cause irritation or burns.
- ## 6. Service
- Have your power tool serviced by a qualified repair person using only identical replacement parts. This will ensure that the safety of the power tool is maintained.

ADDITIONAL SAFETY INSTRUCTIONS FOR CHAINSAWS

- Keep all parts of the body away from the saw chain when the chain saw is operating. Before you start the chain saw, make sure the saw chain is not contacting anything. A moment of inattention while operating chain saws may cause entanglement of your clothing or body with the saw chain.
- Always hold the chain saw with your right hand on the rear handle and your left hand on the front handle. Hold the chain saw with a reversed hand configuration increases the risk of personal injury and should never be done.
- Hold the power tool by insulated gripping surfaces only, because the chain may contact hidden wiring. Saw chains contacting a "live" wire may make exposed metal parts of the power tool "live" and could give the operator an electric shock.
- Wear safety glasses and hearing protection. Further protective equipment for head, hands, legs and feet is recommended. Adequate protective clothing will reduce personal injury by flying debris or accidental contact with the saw chain.
- Do not operate a chainsaw in a tree. Operation of a chainsaw while up in a tree may result in personal injury.
- Always keep proper footing and operate the chainsaw only when standing on fixed, secure and level surface. Slippery or unstable surfaces such as ladders may cause a loss of balance or control of the chain saw.
- When cutting a limb that is under tension be alert for spring back. When the tension in the wood fibres is released the spring loaded limb may strike the operator and/or throw the chain saw out of control.
- Use extreme caution when cutting brush and saplings. The slender material may catch the saw chain and be whipped towards you or pull you off balance.
- Carry the chain saw by the front handle with the chain saw switched off and away from your body. When transporting or storing the chain saw always fit the guide bar cover. Proper handling of the chain saw will reduce the likelihood of accidental contact with the moving saw chain.
- Follow instructions for lubricating, chain tensioning and changing accessories. Improperly tensioned or lubricated chain may either break or increase the chance for kickback.
- Keep handles dry, clean, and free from oil and grease. Greasy, oily handles are slippery causing loss of control.
- Cut wood only. Do not use chain saw for purposes not intended. For example: do not use chain saw for cutting plastic, masonry or non-wood building materials. Use of the chain saw for operations different than intended could result in a hazardous situation.

Causes and operator prevention of kickback

Kickback may occur when the nose or tip of the guide bar touches an object, or when the wood closes in and pinches the saw chain in the cut.

Tip contact in some cases may cause a sudden reverse reaction, kicking the guide bar up and back towards the operator.

Pinching the saw chain along the top of the guide bar may push the guide bar rapidly back towards the operator.

Either of these reactions may cause you to lose control of the saw which could result in serious personal injury. Do not rely exclusively upon the safety devices built into your saw. As a chain saw user, you should take several steps to keep your cutting jobs free from accident or injury.

Kickback is the result of tool misuse and/or incorrect operating procedures or conditions and can be avoided by taking proper precautions as given below:

- Maintain a firm grip, with thumbs and fingers encircling the chain saw handles, with both hands on the saw and position your body and arm to allow you to resist kickback forces. Kickback forces can be controlled by the operator, if proper precautions are taken. Do not let go of the chain saw.
- Do not overreach and do not cut above shoulder height. This helps prevent unintended tip contact and enables better control of the chain saw in unexpected situations.
- Only use replacement bars and chains specified by the manufacturer. Incorrect replacement bars and chains may cause chain breakage and/or kickback.
- Follow the manufacturer's sharpening and maintenance instructions for the saw chain. Decreasing the depth gauge height can lead to increased kickback.

This appliance is not intended for use by persons (including children) with reduced physical, sensory or mental capabilities, or lack of experience and knowledge, unless they have been given supervision or instruction concerning use of the appliance by a person responsible for their safety.

Recommendations for the use of a residual current device with a rated residual current of 30mA or less.

WARRANTY

IN ORDER TO MAKE A CLAIM UNDER THIS WARRANTY YOU MUST RETURN THE PRODUCT TO YOUR NEAREST BUNNINGS WAREHOUSE WITH YOUR BUNNINGS REGISTER RECEIPT. PRIOR TO RETURNING YOUR PRODUCT FOR WARRANTY PLEASE TELEPHONE OUR CUSTOMER SERVICE HELPLINE:

Australia 1800 069 486

New Zealand 0508 069 486

TO ENSURE A SPEEDY RESPONSE PLEASE HAVE THE MODEL NUMBER AND DATE OF PURCHASE AVAILABLE. A CUSTOMER SERVICE REPRESENTATIVE WILL TAKE YOUR CALL AND ANSWER ANY QUESTIONS YOU MAY HAVE RELATING TO THE WARRANTY POLICY OR PROCEDURE.

The benefits provided under this warranty are in addition to other rights and remedies which are available to you at law.

Our goods come with guarantees that cannot be excluded at law. You are entitled to a replacement or refund for a major failure and for compensation for any other reasonably foreseeable loss or damage. You are also entitled to have the goods repaired or replaced if the goods fail to be of acceptable quality and the failure does not amount to a major failure.

Generally you will be responsible for all costs associated with a claim under this warranty, however, where you have suffered any additional direct loss as a result of a defective product you may be able to claim such expenses by contacting our customer service helpline above.

3 YEAR REPLACEMENT WARRANTY

Your product is guaranteed for a period of **36 months from the original date of purchase** and is intended for DIY (Do It Yourself) use only. If a product is defective it will be replaced in accordance with the terms of this warranty. **Lithium Ion batteries are covered by a 12 month warranty.** Warranty excludes consumable parts.

WARNING

The following actions will result in the warranty being void.

- If the tool has been operated on a supply voltage other than that specified on the tool.
- If the tool shows signs of damage or defects caused by or resulting from abuse, accidents or alterations.
- Failure to perform maintenance as set out within the instruction manual.
- If the tool is disassembled or tampered with in any way.