

Coriolis Mass Flow Measurement System *promass 63*

**Simultaneous measurement of mass, density and
temperature for a broad range of applications
For liquids and gases**



Flexible system

- The system can be customised to each application
- Wide choice of materials for process connections and measuring tubes, compatible to the fluid
- Simple and cost-effective installation
- Transmitter housing can be rotated to fit the orientation

Easy to operate

- Menu-driven dialogue for all parameters
- Two-line illuminated display
- Touch Control: remote operation without special equipment (protection not violated)

Accurate measurement

- Measurement accuracy for liquids:
 - Mass flow $\pm 0.1\%$
 - Volume flow $\pm 0.15\%$
- Measurement accuracy for gases:
 - Mass flow $\pm 0.5\%$
- 1000:1 operable flow range
- Excellent repeatability

Safe operation

- Self-emptying measuring tubes
- Secondary containment vessel as standard
- High electromagnetic compatibility (EMC)
- Self-monitoring with alarm function
- EEPROM stores data on power failure (no batteries required)
- ISO 9001 manufacturer, quality assured

Install anywhere

- Compact design
- Insensitive to plant vibration
- Rugged and shock-proof surfaces resistant to acids and alkalis
- IP 67 protection for compact and remote versions
- Measurement independent of fluid characteristics
- High performance: simultaneous measurement of more than one process variable, special density evaluation functions, etc.

Endress + Hauser

The Power of Know How



Measuring System

Fields of application

The Promass 63 system measures the mass and volume flow of fluids having widely differing characteristics:

- Chocolate, condensed milk, syrup
- Oils, fats
- Acids, alkalis
- Varnishes, paints
- Suspensions
- Pharmaceuticals
- Catalytic converters, inhibitors
- Gases and gas mixtures

The system also measures the density and temperature of fluids in order to calculate other parameters such as volumetric flow, solids content or density units (standard density, °Brix, °Baumé, °API, °Plato, °Balling).

The Promass 63 is used in applications wherever mass flow measurement is of critical importance:

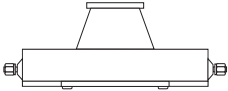
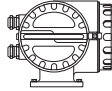
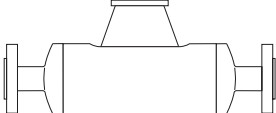
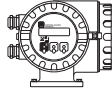
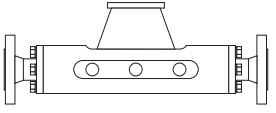
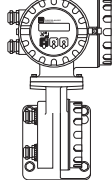
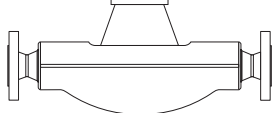
- Mixing and batching of various raw materials
- Controlling processes
- Measuring of quickly changing densities
- Control and monitoring of product quality.

The advantages of this measurement process are demonstrated by its successful use in food processing, the pharmaceutical industry, the chemical and petrochemical industries, waste disposal, energy production, gas applications, etc.

The modular Promass 63 measuring system

As blind versions, all Promass instruments can also be connected to the multifunctional "Procom DZL 363" transmitter. Further information can be provided in a separate documentation (TI041D/06/en).

Information on all Ex versions is available on request from your E+H Sales Centre.

Sensors		Transmitter	
A		Promass 63	
			Without local operation (Blind version)
I			With local operation
M			With wall mounting (remote version)
F			
			<ul style="list-style-type: none"> • Compact version • Remote version (up to 20 meters)
A	DN 1... 4:	For very small flow quantities, single tube system in SS or Alloy C-22	
I	DN 8... 50:	Single straight tube system (titanium), completely welded version	
M	DN 8... 80:	Two straight measuring tubes (titanium), containment vessel up to 100 bar	
	DN 8... 25:	High pressure version, system pressure up to 350 bar	
F	DN 8...100:	Two slightly curved measuring tubes in SS or Alloy C-22 (only for DN 8...80), completely welded version	
Technical data: see pages 26 – 34			

Measuring system

The measuring system consists of:

- Promass 63 transmitter
- Promass A, I, M or F sensor

The Promass 63 measuring system is mechanically and electronically designed for maximum flexibility with the transmitters and sensors being combined in any variation.

The wide range of materials and process connections (fittings; flanges DIN, ANSI, JIS; Tri-Clamp) ensure that the measuring point can adjust to both plant and process conditions.

The transmitter housing can be rotated for ease of reading and operation in any orientation.

Sensor Function

Measuring principle

The measuring principle is based on the controlled generation of Coriolis forces. These forces are always present when both translational (straight line) and rotational (revolving) movement occur simultaneously.

$$\vec{F}_C = 2 \cdot \Delta m (\vec{\omega} \times \vec{v})$$

\vec{F}_C = Coriolis force

Δm = mass of moving body

$\vec{\omega}$ = angular velocity

\vec{v} = radial velocity in a rotating or oscillating system

The amplitude of the Coriolis force depends on the moving mass Δm , its velocity \vec{v} in the system and therefore its mass flow.

The Promass uses an oscillation instead of a constant angular velocity $\vec{\omega}$ and two parallel measuring tubes, with fluid flowing through them, are made to oscillate in antiphase, so that they act like a tuning fork (Promass M and F).

The Coriolis forces produced at the measuring tubes cause a phase shift in the tube oscillation (see Fig. on left):

- When there is zero flow, i.e. with the fluid standing still, both tubes oscillate in phase (1).
- When there is mass flow, the tube oscillation is decelerated at the inlet (2) and accelerated at the outlet (3).

As the mass flowrate increases, the phase difference also increases (A-B). The oscillations of the measuring tubes are determined using electrodynamic sensors at the inlet and outlet. The measurement principle operates independent of temperature, pressure, viscosity, conductivity or flow profile.

Density measurement

The measuring tubes are continuously excited at their resonant frequency. As the mass and therefore the density of the oscillating system changes (measuring tubes and fluid), the vibrating frequency is readjusted. The resonant frequency is thus a function of the density of the fluid and, because of this, a density signal can be obtained.

Temperature measurement

The temperature of the measuring tubes is determined in order to calculate the compensation factor due to temperature effects. This signal corresponds to the process temperature and is also available as an output.

Balanced Measuring System

Two-tube systems (Promass M, F)

The system balance is ensured by the two measuring tubes vibrating in antiphase.

Single tube systems (Promass A, I)

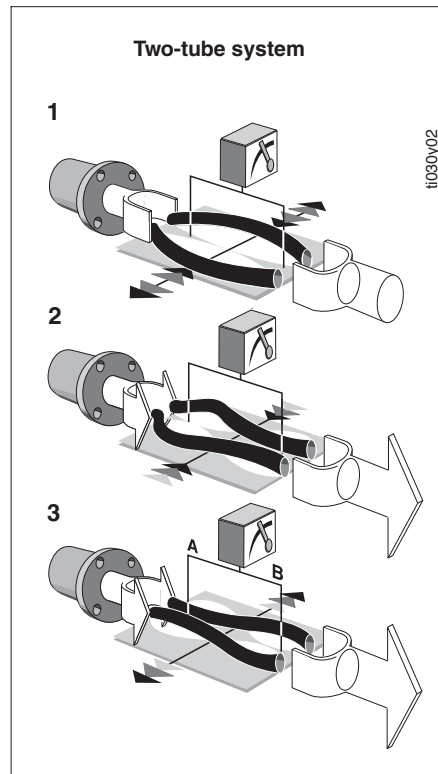
For single tube systems, other design solutions are necessary for system balance than for two-tube systems.

Promass A:

For Promass A, an internal reference mass is used for this purpose.

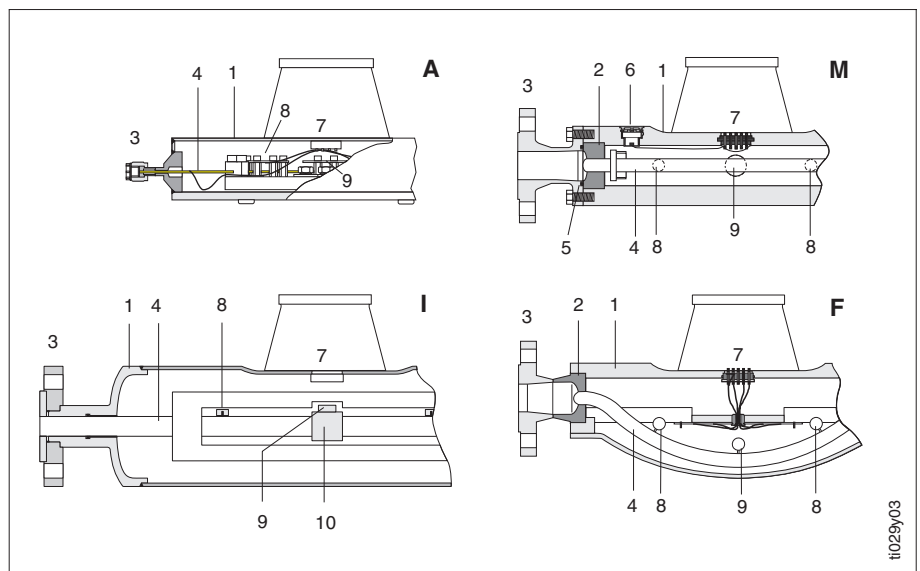
Promass I:

For Promass I, the system balance necessary for flawless measurement is generated by exciting an eccentrically located, counter-oscillating pendulum mass. This TMB™ (Torsion Mode Balanced) system is patented and guarantees accurate measurement, also with changing process and ambient conditions. The installation of Promass I is for this reason just as easy as with two-tube systems! Special fastening measures before and after the meter are therefore not necessary.



Sectional view of Promass A, I, M and F sensors

- 1 Housing/containment vessel
- 2 Manifold
- 3 Process connection
- 4 Measuring tube(s)
 - A: 1 curved tube
 - I: 1 straight tube
 - M: 2 straight tubes
 - F: 2 curved tubes
- 5 Gasket
- 6 Plug
- 7 Cable gland
- 8 Electrodynamic sensors
- 9 Excitation system
- 10 Pendulum mass TMB™ System (Promass I)



Transmitter Function

Function of the Promass 63

The Promass transmitter converts the measured values coming from the sensor into standardised output signals. According to their configuration, a number of outputs are therefore available:

- Current output with HART protocol
- Pulse/frequency output or 2nd current output
- Relay 1, e.g. fault
- Relay 2, e.g. limit value
- RS 485 interface

Display

Promass 63 has a two-line, illuminated LC display. This enables two of the following measured values to be read simultaneously:

- Actual mass, volume, standard volume as well as % content of target/carrier liquid with multiphase fluids.
- Density (e.g. kg/m³, °Brix, °Baumé, °API, °Plato, °Balling, etc.)
- Temperature
- Totalised flows

The following are also displayed:

- Alarm messages (process faults)
- Error messages (instrument faults)
- Status messages
- Programming messages

Communication

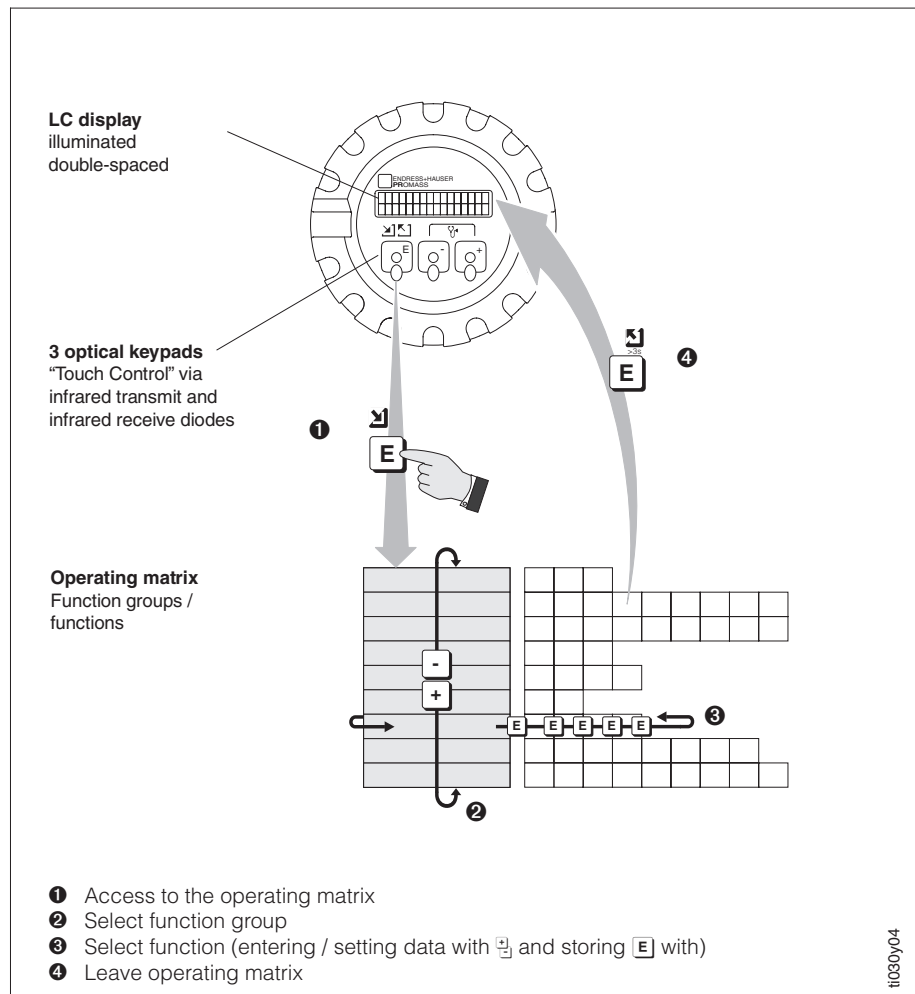
The Promass 63 can communicate with higher level control systems using an application-specific interface:

- Direct communication with personal computers and the E+H Rackbus environment (MODBUS, PROFIBUS, FIPBUS) is possible via a Rackbus RS 485 interface.
- The current output is available for the HART protocol using SMART technology.
- Promass 63 is also available as PROFIBUS-PA version for direct connection to process control systems, segment couplers or CommuteC II.

Remote operation using these interfaces can also be carried out with the E+H program Commuwin II. Detailed information on this is available from your local E+H Sales Centre.

Operational safety

- The Promass 63 measuring system fulfils the safety requirements according to EN 61010.
- The Promass 63 measuring system fulfils all general requirements for electromagnetic compatibility (EMC) according to EN 50081 Part 1 and 2 / EN 50082 Part 1 and 2 as well as to NAMUR recommendations.
- Extensive self-monitoring of the measuring system gives complete operational safety.



Mounting

No special fittings such as brackets are needed. External forces are absorbed by the construction of the device, e.g. the secondary containment vessel. The high frequency oscillation of the measuring tubes ensures that correct operation of the measuring system is unaffected by plant vibration.

When mounting, no special precautions need to be taken for turbulence-generating devices (valves, bends T-pieces, etc.) as long as no cavitation occurs.

Orientation (Promass A)

Vertical

This is best with the flow direction upwards. Entrained solids sink downward and gases rise away from the measuring tube. This also allows the measuring tube to be completely drained and protects it from solids build-up.

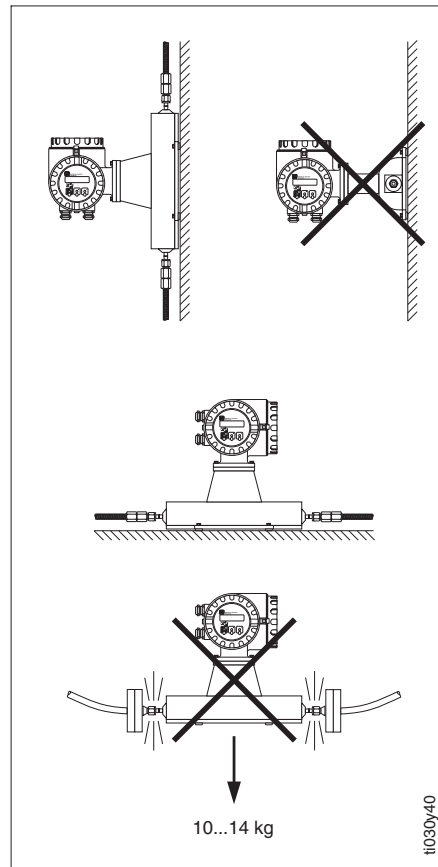
Horizontal

When correctly installed, the transmitter housing is either above or below the piping. This assures that no gas bubbles may collect or solids be deposited in the curved measuring tube.

Wall and post mounting

The sensor may not be suspended in the piping, that is, without support or fixation to avoid excessive stress on the material around the process connection.

The sensor housing base plate allows table, wall, or post mounting. The post mounting requires a special mounting set.



Orientation Promass A

Orientation (Promass I, M, F)

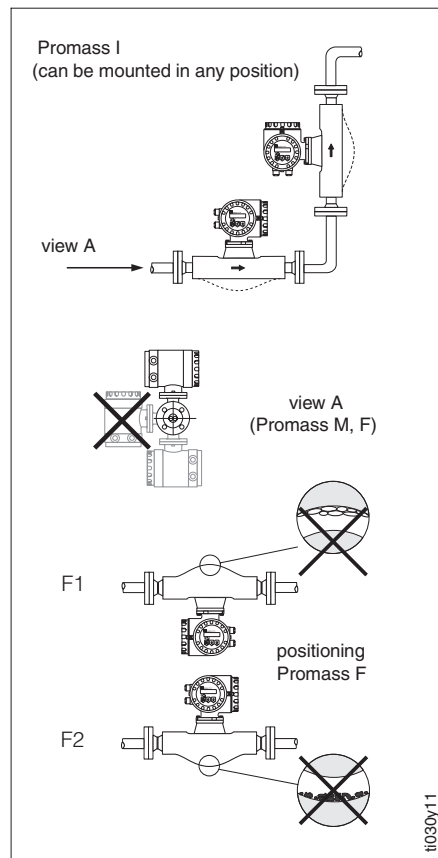
Vertical

This is best with the flow direction upwards. Entrained solids sink downward and gases rise away from the measuring tubes when the product is not flowing. This also allows the measuring tubes to be completely drained and protects them from solids build-up.

Horizontal

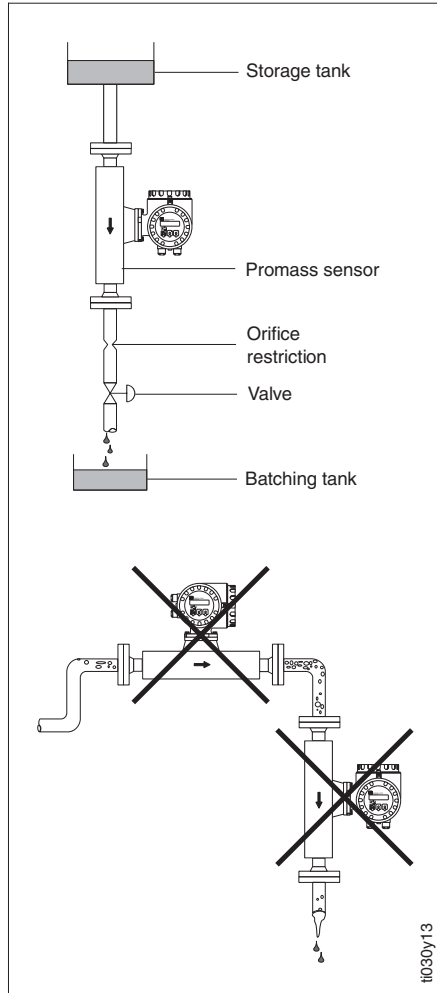
- Promass I (single tube) can be mounted in any horizontal piping.
- Promass M, F measuring tubes must lie side by side. When correctly installed, the transmitter housing is either above or below the piping (see view A).
- Promass F measuring tubes are slightly curved. Therefore, the sensor position is to be adapted to the fluid properties for horizontal installation:

- F1: not suitable for outgassing fluids
- F2: not suitable for fluids with solids content



Orientation Promass I, M, F

Mounting



Mounting location
(vertical piping)

Mounting location

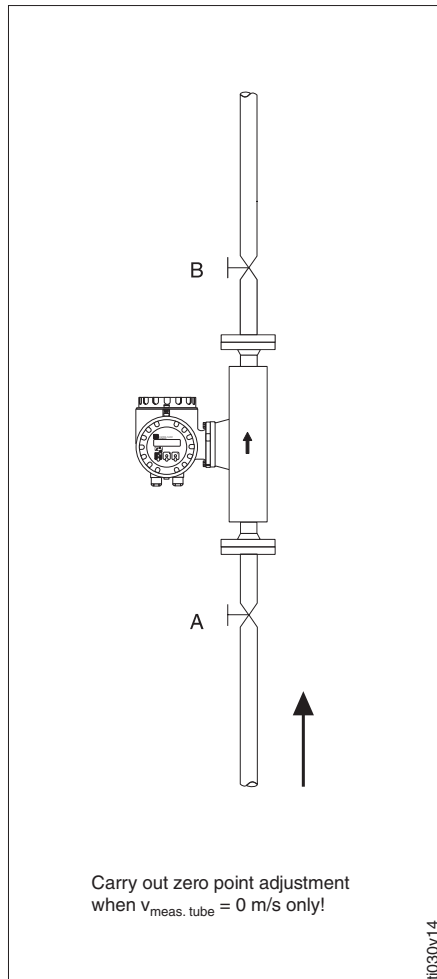
Air or entrained gases in the measuring tube may cause errors in measurement and therefore the following mounting installations are to be avoided:

- Do not install at the highest point of the piping.
- Do not install in a vertical pipeline directly upstream of a free pipe outlet.

Correct installation is still possible using the recommendation in the adjacent figure. Restrictions in the piping or an orifice with a smaller cross section than the measuring instrument can prevent the sensor from running empty during measurement.

Nominal diameter	Ø Orifice/restriction
DN 1	0.8 mm
DN 2	1.5 mm
DN 4	3.0 mm
DN 8	6.0 mm
DN 15	10.0 mm
DN 15 *	15.0 mm
DN 25	14.0 mm
DN 25 *	24.0 mm
DN 40	22.0 mm
DN 40 *	35.0 mm
DN 50	25.0 mm
DN 80	50.0 mm
DN 100	65.0 mm

* DN 15, 25, 40 "FB"
Full bore versions of Promass I



Zero point adjustment
and shut-off valves

Zero point adjustment

To ensure accurate measurement also with very low flow rates, we recommend to carry out a zero point adjustment under process conditions.

The zero point adjustment should be carried out only with the measuring tubes full and with no flow. This can be achieved with shut-off valves both upstream and downstream of the sensor (or use existing valves if present).

Normal operation

- Open valves A and B

Zero point adjustment **with** pumping pressure

- Open valve A
- Close valve B

Zero point adjustment **without** pumping pressure

- Close valve A
- Open valve B

Planning and Installation

System pressure

It is important to avoid cavitation as this can affect tube oscillation.

No special measures need be taken for fluids which have properties similar to those of water under normal conditions.

With volatile liquids (hydrocarbons, solvents, liquefied gases) or liquids in suction lines, the vapour pressure of the liquid must not drop below a point where the liquid begins to boil. It is also important not to release gases which are found naturally in many liquids. This can be prevented by ensuring that there is sufficient system pressure.

Ideally the sensor should be mounted

- on the discharge side of pumps (avoiding low pressure),
- at the lowest point of a vertical pipeline.

Corrosion resistance

With corrosive liquids, the chemical resistance of all wetted parts such as measuring tubes, gaskets and process connections must be thoroughly checked. This also applies to the liquids used for cleaning the Promass sensor.

Tracing, thermal insulation

With certain products heat transfer at the sensor must be avoided. A wide range of materials can be used for the necessary insulation.

Heating can be provided either electrically, e.g. by heating jackets, or supplied by copper pipes with heated water or steam. Heating elements for heat tracing are available for all sensors.

Caution!

Ensure that the meter electronics are not overheated. The connector between the sensor and the transmitter housings as well as the connection housing of the remote version must therefore always be kept free.

Fluid temperature/Orientation

To ensure that the permitted ambient temperature range for the transmitter is not exceeded ($-25...+60\text{ }^{\circ}\text{C}$) positioning is recommended as follows:

High fluid temperature

- Vertical piping: Position A
- Horizontal piping: Position C

Low fluid temperature

- Vertical piping: Position A
- Horizontal piping: Position B

Full scale value / Nominal diameter

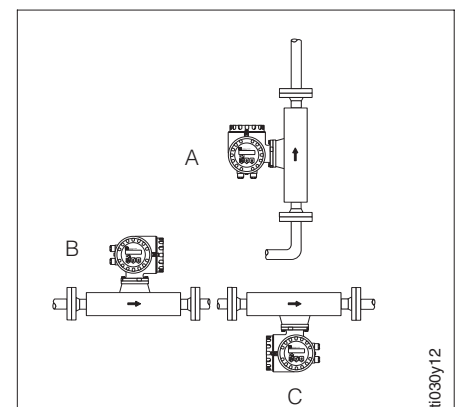
The most suitable nominal diameter is selected by taking into account the measuring range required and the permitted pressure drop. The full scale values for each nominal diameter are defined on page 26.

- The minimum recommended full scale value is about $1/20$ of the indicated maximum values above.
- With most applications, the optimum is considered to be between 20...50% of the maximum full scale value.
- With abrasive fluids, e.g. liquids containing solids, a lower full scale value should be used ($v_{\text{fluid}} < 1\text{ m/s}$).
- For gas applications the following rules apply:
 - The flow velocity in the tubes should not exceed half of the sonic speed (mach 0.5).
 - The maximum massflow depends on the density of the gas and can be calculated from the formula on page 26.

“Applicator” design software

All important instrument data are contained in the E+H software in order to optimise the design of the measuring system. The Applicator software is used for the following calculations:

- Nominal diameter of the sensor with regard to the characteristics of the fluid such as viscosity, density, etc.
- Pressure loss downstream of the measuring point
- Converting mass flow to volumetric flow, etc.
- Simultaneous display of various nominal diameters



Pressure Loss

The pressure drop is dependent on the characteristics of the fluid and its flowrate. The following formulae can be used for liquids to approximately calculate the pressure loss:

Note!
Calculations on pressure loss can be carried out using the Endress+Hauser "Applicator" software (see page 7).

	Promass A / I	Promass M / F
Reynolds No.	$Re = \frac{4 \cdot \dot{m}}{\pi \cdot d \cdot \nu \cdot \rho}$	$Re = \frac{2 \cdot \dot{m}}{\pi \cdot d \cdot \nu \cdot \rho}$
Re ≥ 2300 *	$\Delta p = K \cdot \nu^{0.25} \cdot \dot{m}^{1.75} \cdot \rho^{-0.75} + \frac{K3 \cdot \dot{m}^2}{\rho}$	$\Delta p = K \cdot \nu^{0.25} \cdot \dot{m}^{1.85} \cdot \rho^{-0.86}$
Re < 2300	$\Delta p = K1 \cdot \nu \cdot \dot{m} + \frac{K3 \cdot \dot{m}^2}{\rho}$	$\Delta p = K1 \cdot \nu \cdot \dot{m} + \frac{K2 \cdot \nu^{0.25} \cdot \dot{m}^2}{\rho}$

Δp = pressure loss [mbar] ρ = fluid density [kg/m³]
 ν = kinematic viscosity [m²/s] d = internal diameter of measuring tubes [m]
 \dot{m} = mass flowrate [kg/s] $K...K3$ = constants dependent on the nominal diameter

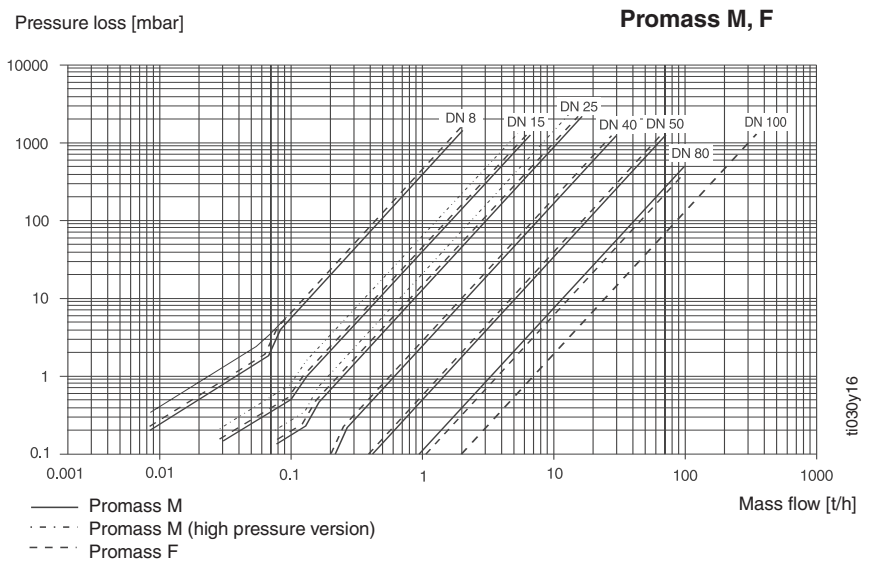
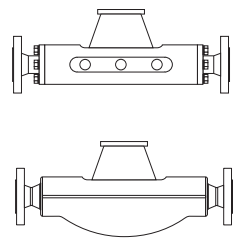
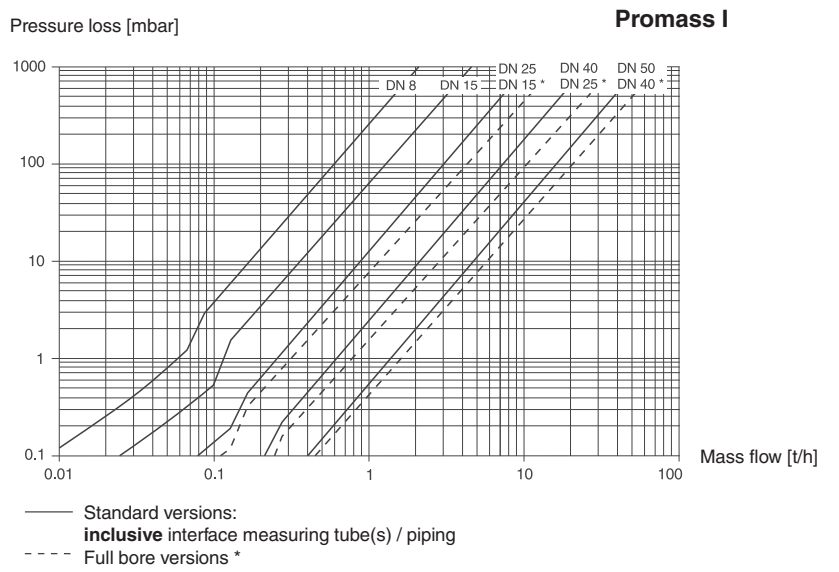
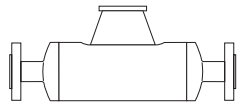
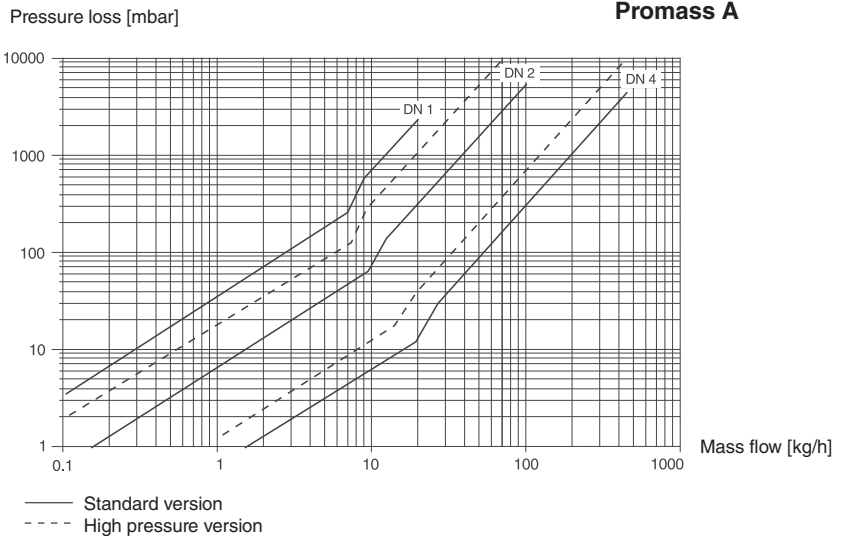
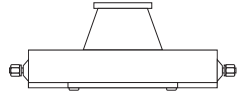
* For gases the pressure loss has always to be calculated by use of the formula for Re ≥ 2300.

	Diameter	d [m]	K	K1	K2	K3
Promass A	DN 1	1.10 · 10 ⁻³	1.2 · 10 ¹¹	1.3 · 10 ¹¹	–	0
	DN 2	1.80 · 10 ⁻³	1.6 · 10 ¹⁰	2.4 · 10 ¹⁰	–	0
	DN 4	3.50 · 10 ⁻³	9.4 · 10 ⁸	2.3 · 10 ⁹	–	0
Promass A High press.	DN 2	1.40 · 10 ⁻³	5.4 · 10 ¹⁰	6.6 · 10 ¹⁰	–	0
	DN 4	3.00 · 10 ⁻³	2.0 · 10 ⁹	4.3 · 10 ⁹	–	0
Promass I	DN 8	8.55 · 10 ⁻³	8.1 · 10 ⁶	3.9 · 10 ⁷	–	129.95 · 10 ⁴
	DN 15	11.38 · 10 ⁻³	2.3 · 10 ⁶	1.3 · 10 ⁷	–	23.33 · 10 ⁴
	DN 15 *	17.07 · 10 ⁻³	4.1 · 10 ⁵	3.3 · 10 ⁶	–	0.01 · 10 ⁴
	DN 25	17.07 · 10 ⁻³	4.1 · 10 ⁵	3.3 · 10 ⁶	–	5.89 · 10 ⁴
	DN 25 *	25.60 · 10 ⁻³	7.8 · 10 ⁴	8.5 · 10 ⁵	–	0.11 · 10 ⁴
	DN 40	25.60 · 10 ⁻³	7.8 · 10 ⁴	8.5 · 10 ⁵	–	1.19 · 10 ⁴
	DN 40 *	35.62 · 10 ⁻³	1.3 · 10 ⁴	2.0 · 10 ⁵	–	0.08 · 10 ⁴
DN 50	35.62 · 10 ⁻³	1.3 · 10 ⁴	2.0 · 10 ⁵	–	0.25 · 10 ⁴	
Promass M	DN 8	5.53 · 10 ⁻³	5.2 · 10 ⁷	8.6 · 10 ⁷	1.7 · 10 ⁷	–
	DN 15	8.55 · 10 ⁻³	5.3 · 10 ⁶	1.7 · 10 ⁷	9.7 · 10 ⁵	–
	DN 25	11.38 · 10 ⁻³	1.7 · 10 ⁶	5.8 · 10 ⁶	4.1 · 10 ⁵	–
	DN 40	17.07 · 10 ⁻³	3.2 · 10 ⁵	1.2 · 10 ⁶	1.2 · 10 ⁵	–
	DN 50	25.60 · 10 ⁻³	6.4 · 10 ⁴	4.5 · 10 ⁵	1.3 · 10 ⁴	–
	DN 80	38.46 · 10 ⁻³	1.4 · 10 ⁴	8.2 · 10 ⁴	3.7 · 10 ³	–
Promass M High press.	DN 8	4.93 · 10 ⁻³	6.0 · 10 ⁷	1.4 · 10 ⁸	2.8 · 10 ⁷	–
	DN 15	7.75 · 10 ⁻³	8.0 · 10 ⁶	2.5 · 10 ⁷	1.4 · 10 ⁶	–
	DN 25	10.20 · 10 ⁻³	2.7 · 10 ⁶	8.9 · 10 ⁶	6.3 · 10 ⁵	–
Promass F	DN 8	5.35 · 10 ⁻³	5.70 · 10 ⁷	9.60 · 10 ⁷	1.90 · 10 ⁷	–
	DN 15	8.30 · 10 ⁻³	5.80 · 10 ⁶	1.90 · 10 ⁷	10.60 · 10 ⁵	–
	DN 25	12.00 · 10 ⁻³	1.90 · 10 ⁶	6.40 · 10 ⁶	4.50 · 10 ⁵	–
	DN 40	17.60 · 10 ⁻³	3.50 · 10 ⁵	1.30 · 10 ⁶	1.30 · 10 ⁵	–
	DN 50	26.00 · 10 ⁻³	7.00 · 10 ⁴	5.00 · 10 ⁵	1.40 · 10 ⁴	–
	DN 80	40.50 · 10 ⁻³	1.10 · 10 ⁴	7.71 · 10 ⁴	1.42 · 10 ⁴	–
	DN 100	51.20 · 10 ⁻³	3.54 · 10 ³	3.54 · 10 ⁴	5.40 · 10 ³	–

Pressure loss data **inclusive** interface measuring tube(s) / piping
 Pressure loss diagrams for water can be found on the following page.

* DN 15, 25, 40 "FB" = Full bore versions of Promass I

Pressure Loss with water

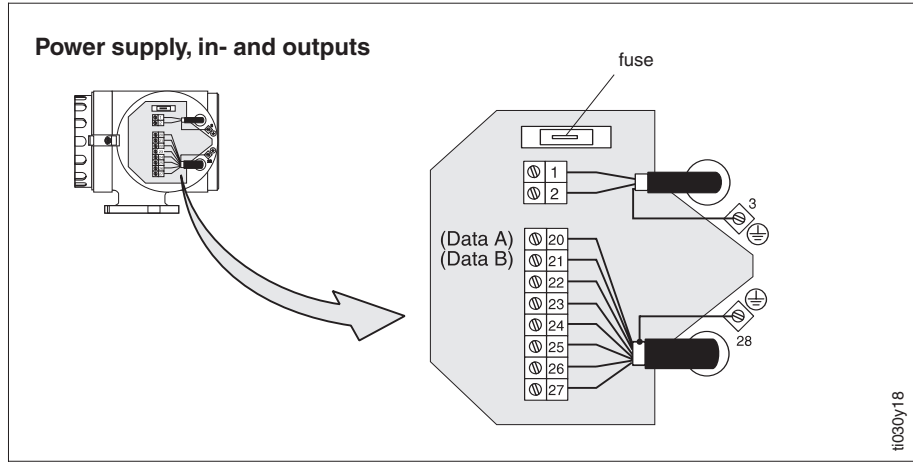


ti030y16

Electrical Connections

Note!

- Depending on the order information, the transmitter electronics contain different boards:
 - HART
 - RS 485
 - 2 CUR. (2 current outputs)
 - PROFIBUS-PA
 - Ex i
 - DZL (for connecting transmitter “Procom DZL 363”)
- Technical data on instruments with Ex approvals are given in separate documentation available from E+H on request.



	HART – Current-loop output	RS 485	2 Current-loop outputs (2 CUR.)
3	Ground connection (ground wire)	Ground connection (ground wire)	Ground connection (ground wire)
1 2	L1 for AC N for AC L+ for DC power supply L- for DC power supply	L1 for AC N for AC L+ for DC power supply L- for DC power supply	L1 for AC N for AC L+ for DC power supply L- for DC power supply
20 (+) 21 (-)	Pulse/frequency output active/passive, $f = 2...10000$ Hz (max. 16383 Hz) active: 24 V DC, 25 mA (250 mA during 20 ms) passive: 30 V DC, 25 mA (250 mA during 20 ms)	Input/output RS 485 or auxiliary input A +/- 3...30 V DC B -/+	Current output 2 active, 0/4...20 mA $R_L < 700 \Omega$
22 (+) 23 (-)	Relay 1 max. 60 V AC / 0.5 A max. 30 V DC / 0.1 A can be configured: e.g. for failure	Relay 1 max. 60 V AC / 0.5 A max. 30 V DC / 0.1 A can be configured: e.g. for failure	Relay 1 max. 60 V AC / 0.5 A max. 30 V DC / 0.1 A can be configured: e.g. for failure
24 (+) 25 (-)	Relay 2 max. 60 V AC / 0.5 A max. 30 V DC / 0.1 A can be configured: e.g. for limit value	Relay 2 max. 60 V AC / 0.5 A max. 30 V DC / 0.1 A can be configured: e.g. for limit value	Relay 2 max. 60 V AC / 0.5 A max. 30 V DC / 0.1 A can be configured: e.g. for limit value
26 (+) 27 (-)	Current output 1 active, 0/4...20 mA, $R_L < 700 \Omega$ with HART protocol: 4...20 mA, $R_L \geq 250 \Omega$	Current output or Pulse/frequency output active/passive, $f = 2...10000$ Hz active: 24 V DC, 25 mA (250 mA during 20 ms) passive: 30 V DC, 250 mA (250 mA during 20ms)	Current output 1 active, 0/4...20 mA, $R_L < 700 \Omega$ with HART protocol: 4...20 mA, $R_L \geq 250 \Omega$
28	Ground connection (screen of signal cable)	Ground connection (screen of signal cable)	Ground connection (screen of signal cable)

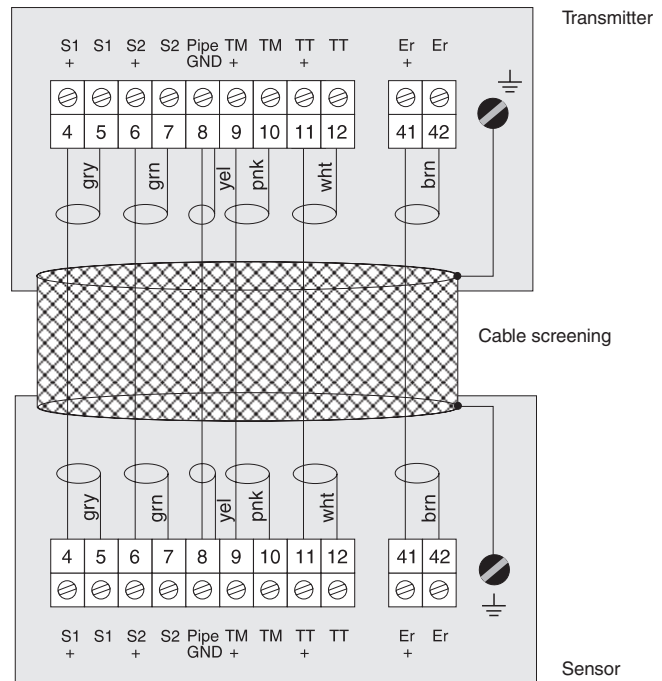
	PROFIBUS-PA	Intrinsically safe Ex i outputs	DZL 363	
3	Ground connection (ground wire)	Ground connection (ground wire)	Ground connection (ground wire)	
1 2	L1 for AC N for AC L+ for DC power supply L- for DC power supply	L1 for AC N for AC L+ for DC power supply L- for DC power supply	DoS version* 1 connected with 24 2 connected with 25	Dx version** L1 for AC N for AC L+ for DC power supply L- for DC power supply
20 (+) 21 (-)	not used	not used	DoS version DoS+ DoS-	Dx version not used
22 (+) 23 (-)	Current output active, 0/4...20 mA, $R_L < 350 \Omega$	Current output active, 0/4...20 mA, $R_L < 350 \Omega$ with HART protocol: 4...20 mA, $R_L \geq 250 \Omega$	DoS version not used	Dx version Dx+ (A-data) Dx- (B-data)
24 (+) 25 (-)	not used	not used	DoS version 24 connected with 1 25 connected with 2	Dx version not used
26 (+) 27 (-)	Bus PROFIBUS-PA (EN 50170, Volume 2, IEC 1158-2)	Pulse/frequency output passive, $f = 2...10000$ Hz can be used as a NAMUR contact according to DIN 19234	not used	
28	Ground connection (screen of signal cable)	Ground connection (screen of signal cable)	Ground connection (screen of signal cable)	

* **DoS version:** The Promass sensor is powered by the “Procom DZL 363” transmitter.

** **Dx version:** Promass sensor and “Procom DZL 363” transmitter are powered with separate power supplies.

Electrical Connections

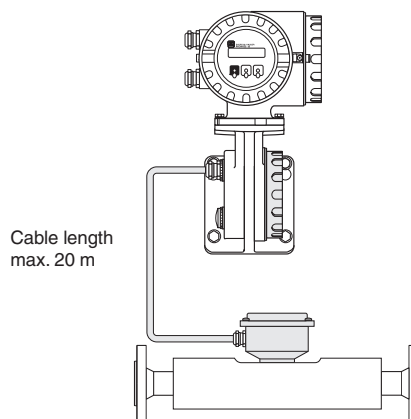
Remote version



gry = grey; grn = green; yel = yellow; pnk = pink; wht = white; brn = brown

Cable specifications for the remote version

6 x 0.38 mm² PVC cable with common screening and individually screened cores.
Conductor resistance: ≤ 50 Ω/km; Capacitance: core/screen ≤ 420 pF/m



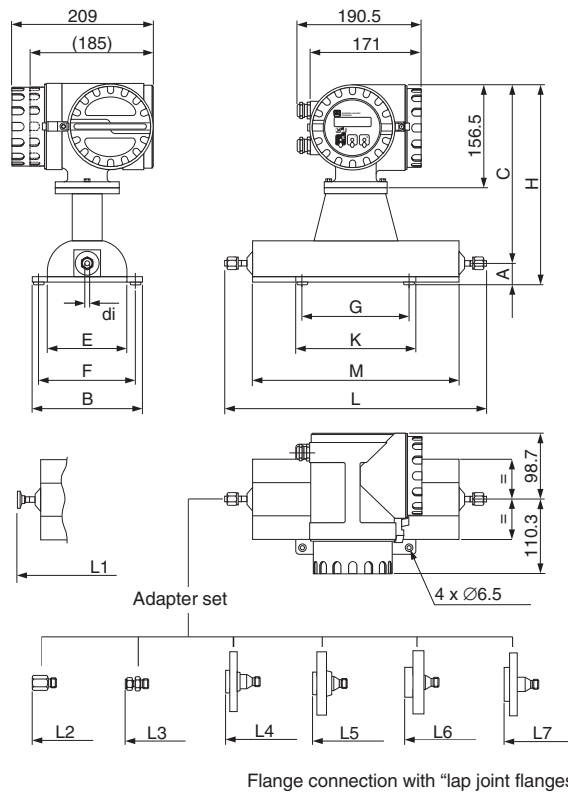
Connection to the “Procom DZL 363” transmitter

The terminal assignment of Procom DZL 363 is described in separate documentation (TI 041D/06/en).

With the DoS version (DZL board), the connecting cable between the Promass sensor and the “Procom DZL 363” transmitter is galvanically connected to its power supply. For cabling use only screened cable which can also carry the power supply load.

Dimensions Promass 63 A

Compact version



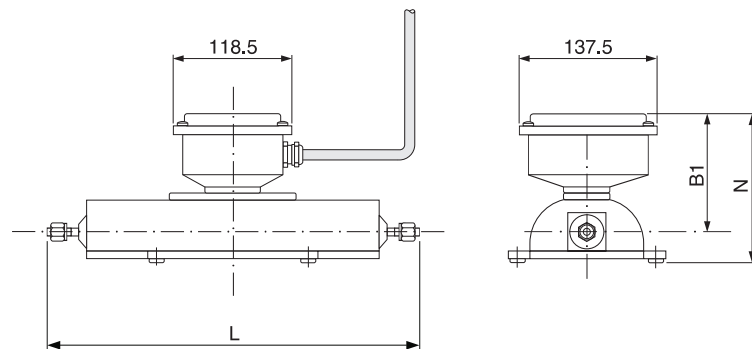
11030y41

Process connection	L 4-VCO-4 fittings	L1 ½" Tri-Clamp	L2 ¼" NPT-F	L3 SWAGelok DN 1, 2: ⅛" or ¼" DN 4: ¼"	L4 L5 ½" flange (ANSI)		L6 L7 DN 15 flange (DIN, JIS)	
					CI 150	CI 300	PN 40	10K
DN 1	290	296	361	359.6	393	393	393	393
DN 2	372	378	443	441.6	475	475	475	475
DN 4	497	503	568	571.6	600	600	600	600

Diameter DIN ANSI	di	A	B	C	E	F	G	H	K	M	Weight [kg]
DN 2	1.8	32	165	269.5	120	145	160	301.5	180	310	11
DN 2*	1.4	32	165	269.5	120	145	160	301.5	180	310	11
DN 4	3.5	32	195	279.5	150	175	220	311.5	240	435	15
DN 4*	3.0	32	195	279.5	150	175	220	311.5	240	435	15

* High pressure version, All dimensions in mm

Remote version (dimensions of the transmitter: see page 14)



11030y39

Diameter DIN ANSI	B1 [mm]	N [mm]	L
DN 2	122	154	
DN 4	132	164	

Note!
Dimensions of Ex instruments are given in separate documentation available from E+H on request.

Process Connections Promass 63 A

Wetted parts materials

Measuring tube: SS 1.4539 (904L), Alloy C-22 2.4602 (N 06022)
 4-VCO-4 fittings SS 1.4539 (904L), Alloy C-22 2.4602 (N 06022)
 1/2" Tri-Clamp SS 1.4539 (904L)

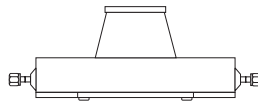
Adapter sets:
 1/8" or 1/4" SWAGELOK SS 1.4401 (316)
 1/4" NPT-F SS 1.4539 (904L), Alloy C-22 2.4602 (N 06022)

Flange:
 DIN, ANSI, JIS SS 1.4539 (904L), Alloy C-22 2.4602 (N 06022)
 lap joint flanges (not wetted) SS 1.4404 (316L)

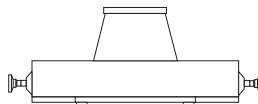
Gaskets (O-ring): Viton (-15...+200 °C), EPDM (-40...+160 °C),
 Silicone (-60...+200 °C), Kalrez (-30...+210 °C)

Without adapter set

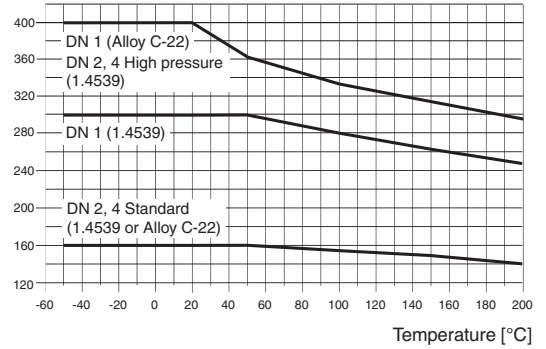
4-VCO-4 fittings



1/2" Tri-Clamp



Pressure [bar]



Tri-Clamp:

The material load limit is exclusively determined by the material properties of the Tri-Clamp used. This clamp is not included in the shipment.

With adapter set

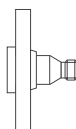
1/4" NPT-F



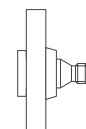
1/8" or 1/4" SWAGELOK



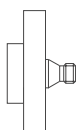
Flanges (ANSI, DIN, JIS) *



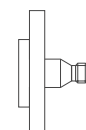
Cl 150



Cl 300

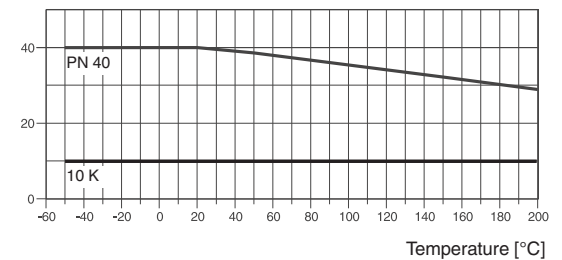
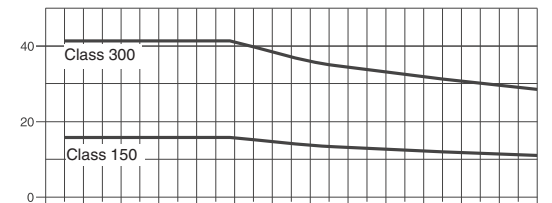
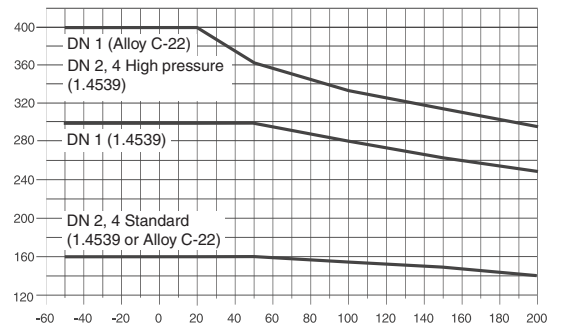


PN 40



10K

Pressure [bar]



Material load curves
 Promass A

* with 1/2" or DN 15
 flanges as standard

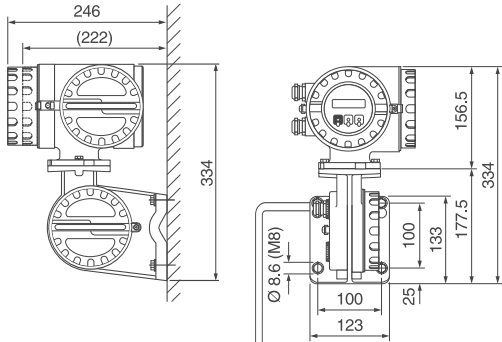
ti030y43

ti030y43

Dimensions Promass 63 I, M, F

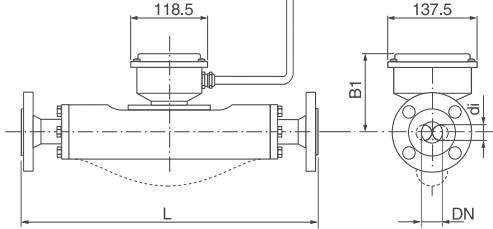
Remote version

Promass A, I, M, F (transmitter)

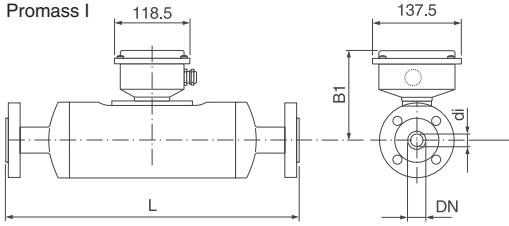


max. 20 m

Promass M, F

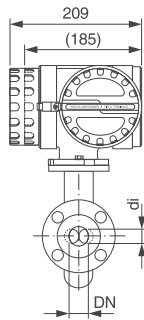
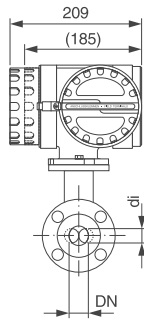
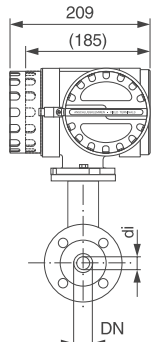


Promass I

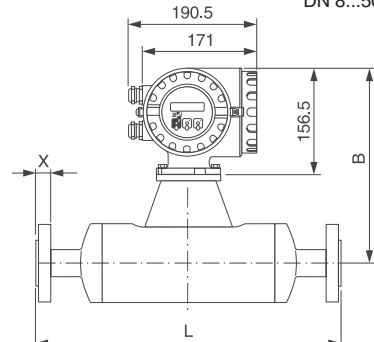


ti030y38

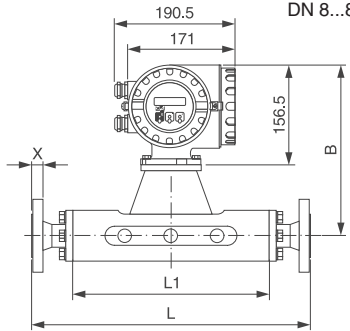
Compact version



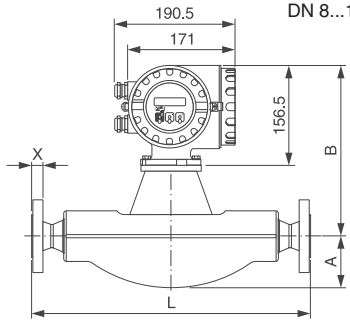
Promass I
DN 8...50



Promass M
DN 8...80



Promass F
DN 8...100



ti030y05

Diameter		L	x	L1***	A [mm]			B [mm]			B1 [mm]			di [mm]			Weight [kg]		
DIN	ANSI				M	F	I	M	F	I	M	F	I	M	F	I	M	F	
DN 8	3/8"	Dimensions dependent on the process connections (see following pages)	-	256	75	288.0	262.5	262.5	138.5	113.0	113.0	8.55	5.53	5.35	12	11	11		
DN 15	1/2"			286	75	288.0	264.5	262.5	138.5	114.5	113.0	11.38	8.55	8.30	15	12	12		
DN 15**	1/2"			-	-	288.0	-	-	138.5	-	-	17.07	-	-	20	-	-		
DN 25	1"			310	75	288.0	268.5	262.5	138.5	119.0	113.0	17.07	11.38	12.00	20	15	14		
DN 20**	1"			-	-	301.5	-	-	152.0	-	-	25.60	-	-	41	-	-		
DN 40	1 1/2"			410	105	301.5	279.5	267.5	152.0	130.0	118.0	25.60	17.07	17.60	41	24	19		
DN 40**	1 1/2"			-	-	316.5	-	-	167.0	-	-	35.62	-	-	67	-	-		
DN 50	2"			544	141	316.5	289.5	279.5	167.0	140.0	130.0	35.62	25.60	26.00	67	41	30		
DN 80	3"			644	200	-	305.5	301.0	-	156.0	151.5	-	38.46	40.50	-	67	55		
DN 100***	4"			-	200	-	305.5	301.0	-	156.0	151.5	-	38.46	40.50	-	71	61		
DN 100	4"			-	247	-	-	320.0	-	-	163.0	-	-	51.20	-	-	96		
DN 150****	6"			-	247	-	-	320.0	-	-	163.0	-	-	51.20	-	-	108		

DN 8: with DN 15 flanges as standard; All weights stated are those for the compact version;

* Promass M, high pressure version (DN 8, 15, 25), same dimension as the standard version;

** DN 15, 25, 40 "FB" = Full bore versions of Promass I;

*** DN 100 / 4" : Nominal diameter DN 80 / 3" with DN 100 / 4" flanges;

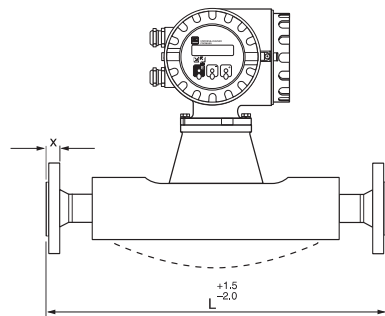
**** DN 150 / 6" : Nominal diameter DN 100 / 4" with DN 150 / 6" flanges

Process Connections Promass 63 I, M, F DIN 2501

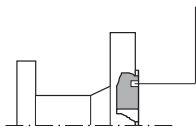
Promass I
Wetted parts: titanium Grade 9
No internal gaskets with welded process connections

Promass M
Flange material: SS 1.4404 (316L), titanium Grade 2
Gasket material: O-ring in Viton (-15...+200 °C), EPDM (-40...+160 °C), Silicone (-60...+200 °C), Kalrez (-30...+210 °C), FEP coated (-60...+200 °C)

Promass F
Flange material: (DN 8...100) SS 1.4404 (316L),
(DN 8...80) Alloy C-22 2.4602 (N 06022)
No internal gaskets with welded process connections



Flanges also available with grooves to DIN 2512 N (not for Promass I)



t1030y/21

Promass I						
Diameter	PN 40		PN 64		PN 100	
	L [mm]	x [mm]	L [mm]	x [mm]	L [mm]	x [mm]
DN 8	402	20	-	-	402	25
DN 15	438	20	-	-	438	25
DN 15 *	572	19	-	-	578	26
DN 25	578	23	-	-	578	29
DN 25 *	700	22	-	-	706	31
DN 40	708	26	-	-	708	32
DN 40 *	819	24	-	-	825	33
DN 50	827	28	832	34	832	36

DN 8: with DN 15 flanges as standard;
* DN 15, 25, 40 "FB" = Full bore versions of Promass I

Promass M, F								
Diameter	PN 16		PN 40		PN 64		PN 100	
	L [mm]	x [mm]	L [mm]	x [mm]	L [mm]	x [mm]	L [mm]	x [mm]
DN 8 **	-	-	370	16	400	20	400	20
DN 15 **	-	-	404	16	420	20	420	20
DN 25	-	-	440	18	470	24	470	24
DN 40	-	-	550	18	590	26	590	26
DN 50	-	-	715	20	724	26	740	28
DN 80	-	-	840	24	875	28	885	32
DN 100 ***	874	20	874	24	-	-	-	-
DN 100	1128	20	1128	24	1128	30	1128	36
DN 150 ****	1168	22	1168	28	-	-	-	-

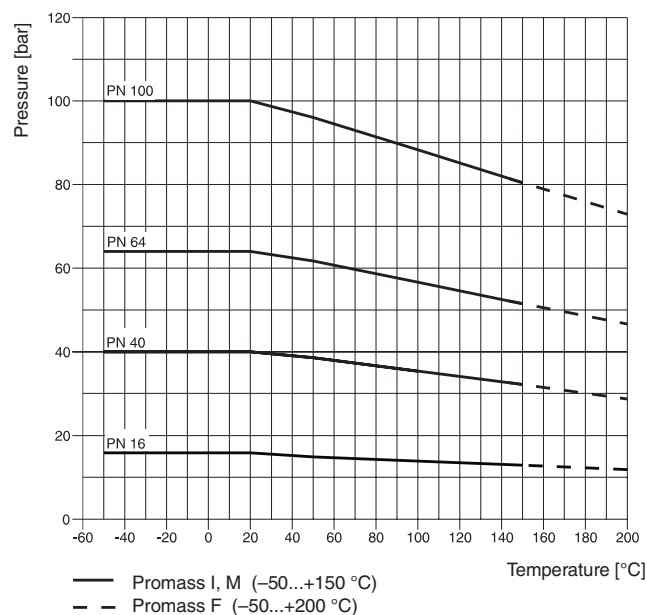
DN 8: with DN 15 flanges as standard; DN 100 only with Promass F available;
** DN 8, DN 15: also available with DN 25, PN 40 flanges (L = 440 mm, x = 18 mm);
*** DN 100: Diameter DN 80 with DN 100 flanges;
**** DN 150: Diameter DN 100 with DN 150 flanges

Surface finish of the flanges

For PN 16, PN 40:
DIN 2526 Form C, R_a 6.3...12.5 μ m

For PN 64, PN 100:
DIN 2526 Form E, R_a 1.6...3.2 μ m

Pressure limitations due to fluid temperature



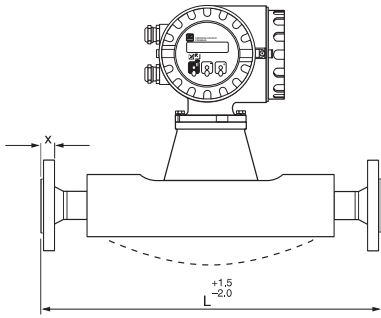
t1030y/22

Process Connections Promass 63 I, M, F ANSI B16.5

Promass I
Wetted parts: titanium Grade 9
No internal gaskets with welded process connections

Promass M
Flange material: SS 1.4404 (316L), titanium Grade 2
Gasket material: O-ring in Viton (-15...+200 °C), EPDM (-40...+160 °C),
Silicone (-60...+200 °C), Kalrez (-30...+210 °C),
FEP coated (-60...+200 °C)

Promass F
Flange material: (DN 8...100) SS 1.4404 (316L),
(DN 8...80) Alloy C-22 2.4602 (N 06022)
No internal gaskets with welded process connections



11030y23

Promass I							
Diameter		CI 150		CI 300		CI 600	
ANSI	DIN	L [mm]	x [mm]	L [mm]	x [mm]	L [mm]	x [mm]
3/8"	DN 8	402	20	402	20	402	20
1/2"	DN 15	438	20	438	20	438	20
1/2" *	DN 15 *	572	19	572	19	578	22
1"	DN 25	578	23	578	23	578	23
1" *	DN 25 *	700	22	700	22	706	25
1 1/2"	DN 40	708	26	708	26	708	28
1 1/2" *	DN 40 *	819	24	819	24	825	29
2"	DN 50	827	28	827	28	832	33

3/8": with 1/2" flanges as standard;
* DN 15, 25, 40 "FB" = Full bore versions of Promass I

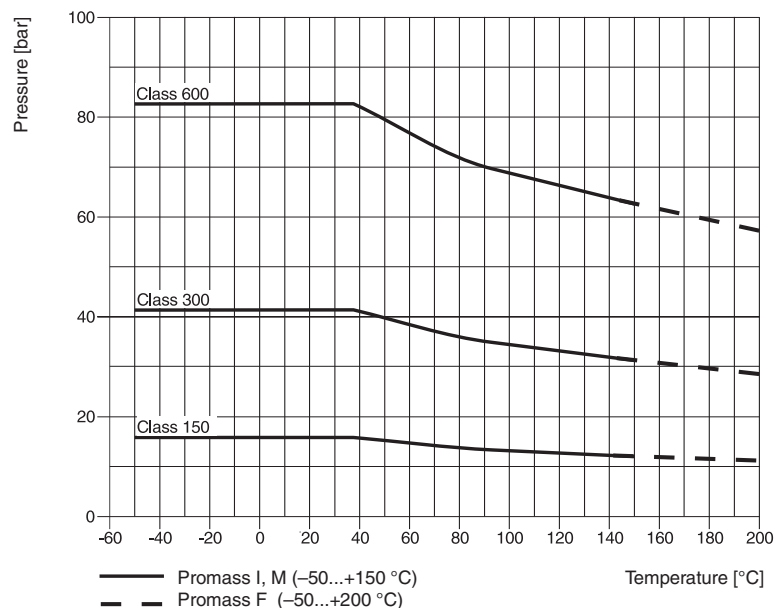
Promass M, F							
Nennweite		CI 150		CI 300		CI 600	
ANSI	DIN	L [mm]	x [mm]	L [mm]	x [mm]	L [mm]	x [mm]
3/8"	DN 8	370	11.2	370	14.2	400	20.6
1/2"	DN 15	404	11.2	404	14.2	420	20.6
1"	DN 25	440	14.2	440	17.5	490	23.9
1 1/2"	DN 40	550	17.5	550	20.6	600	28.7
2"	DN 50	715	19.1	715	22.3	742	31.8
3"	DN 80	840	23.9	840	28.4	900	38.2
4" **	DN 100 **	874	23.9	894	31.7	-	-
4"	DN 100	1128	23.9	1128	31.7	1158	48,4
6" ***	DN 150 ***	1168	25.4	-	-	-	-

3/8": with 1/2" flanges as standard; 4" / DN 100: only for Promass F available;
** 4" / DN 100: Diameter 3"/DN 80 with 4"/DN 100 flanges;
*** 6" / DN 100: Diameter 4" / DN 100 with 6" / DN 150 flanges

Surface finish of the flanges

For CI 150, CI 300, CI 600:
R_a 3.2...6.3 μm

Pressure limitations due to fluid temperature



11030y24

Process Connections

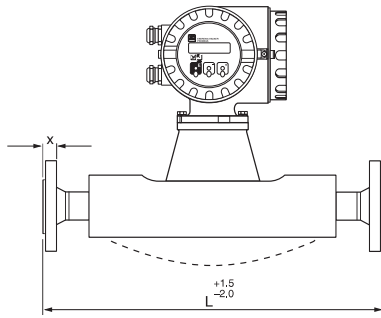
Promass 63 I, M, F

JIS B2238

Promass I
 Wetted parts: titanium Grade 9
 No internal gaskets with welded process connections

Promass M
 Flange material: SS 1.4404 (316L), titanium Grade 2
 Gasket material: O-ring in Viton (-15...+200 °C), EPDM (-40...+160 °C),
 Silicone (-60...+200 °C), Kalrez (-30...+210 °C),
 FEP coated (-60...+200 °C)

Promass F
 Flange material: (DN 8...100) SS 1.4404 (316L),
 (DN 8...80) Alloy C-22 2.4602 (N 06022)
 No internal gaskets with welded process connections



ti030y23

Promass I								
Diameter	10K		20K		40K		63K	
	L [mm]	x [mm]	L [mm]	x [mm]	L [mm]	x [mm]	L [mm]	x [mm]
DN 8	-	-	402	20	402	25	402	28
DN 15	-	-	438	20	438	25	438	28
DN 15 *	-	-	572	19	578	26	578	29
DN 25	-	-	578	23	578	27	578	30
DN 25 *	-	-	700	22	706	29	706	32
DN 40	-	-	708	26	708	30	708	36
DN 40 *	-	-	819	24	825	31	825	37
DN 50	827	28	827	28	827	32	832	40

DN 8: with DN 15 flanges as standard;

* DN 15, 25, 40 "FB" = Full bore versions of Promass I

Promass M, F								
Diameter	10K		20K		40K		63K	
	L [mm]	x [mm]	L [mm]	x [mm]	L [mm]	x [mm]	L [mm]	x [mm]
DN 8	-	-	370	14	400	20	420	23
DN 15	-	-	404	14	425	20	440	23
DN 25	-	-	440	16	485	22	494	27
DN 40	-	-	550	18	600	24	620	32
DN 50	715	16	715	18	760	26	775	34
DN 80	832	18	832	22	890	32	915	40
DN 100 **	864	18	-	-	-	-	-	-
DN 100	1128	18	1128	24	1168	36	1168	44
DN 150 ***	1168	22	-	-	-	-	-	-

DN 8: with DN 15 flanges as standard; DN 100: only for Promass F available;

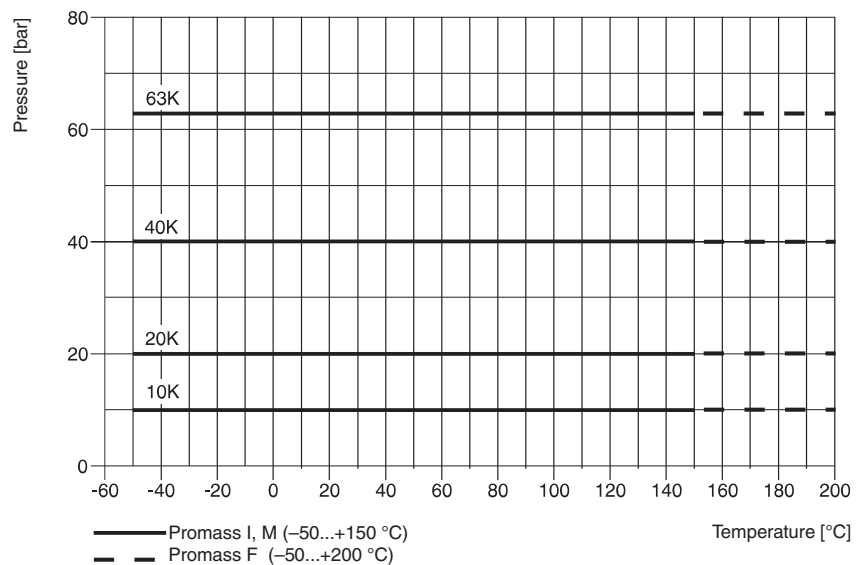
** DN 100: Diameter DN 80 with DN 100 flanges;

*** DN 150: Diameter DN 100 with DN 150 flanges

Surface finish of the flanges

Für 10K, 20K, 40K, 63K:
 R_a 3.2...6.3 μ m

Pressure limitations due to fluid temperature



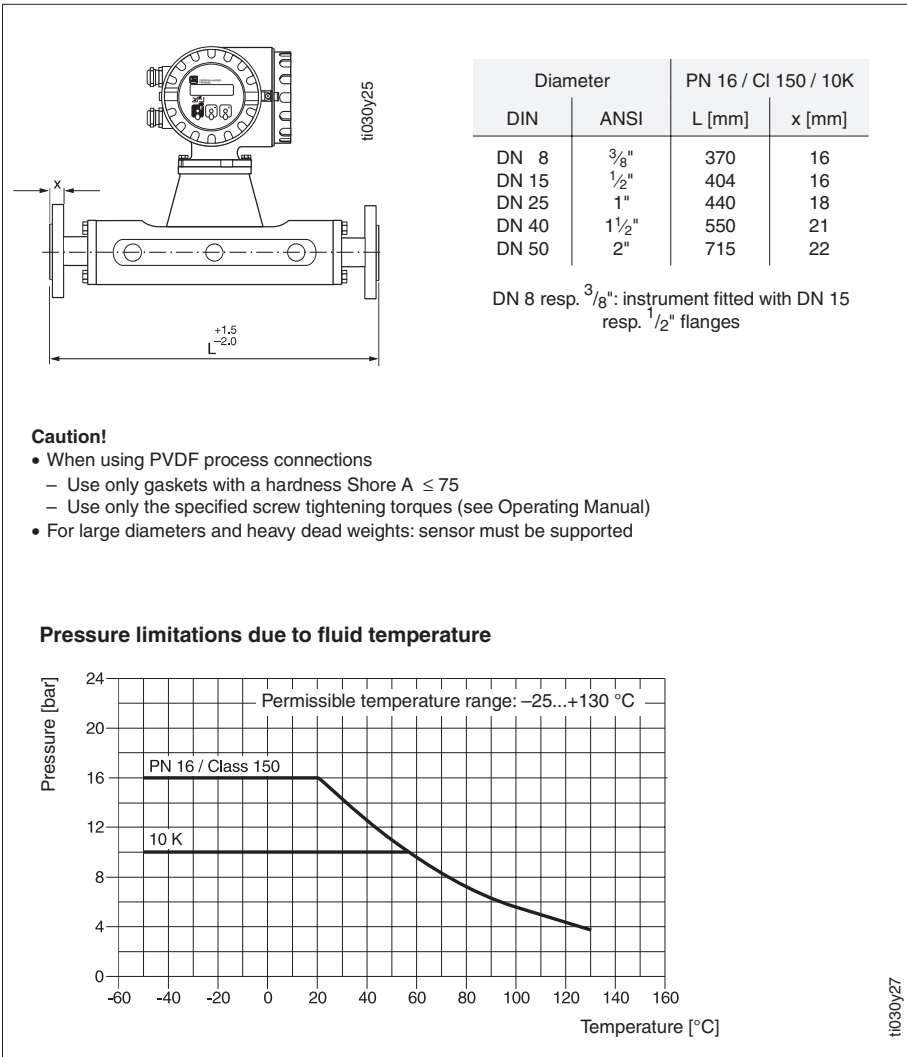
ti030y35

PVDF Process Connections Promass 63 M

Wetted parts materials (DIN 2501 / ANSI B16.5 / JIS B2238)

Flange material: PVDF

Gasket material: O-Ring in Viton (-15...+200 °C), EPDM (-40...+160 °C), Silicone (-60...+200 °C), Kalrez (-30...+210 °C),



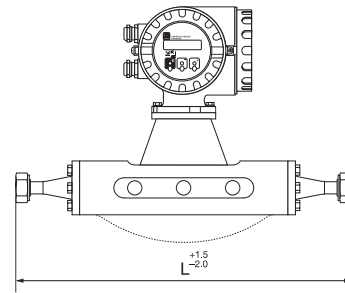
VCO Process Connections Promass 63 I, M, F

Wetted Parts Materials

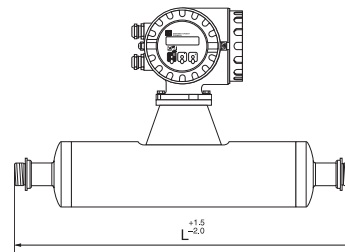
Promass I
Process connection materials: titanium Grade 2
No internal gaskets with welded process connections

Promass M
Process connection materials: SS 1.4404 (316L)
Gasket materials (O-ring): Viton (-15...+200 °C), EPDM (-40...+160 °C), Silicone (-60...+200 °C), Kalrez (-30...+210 °C)

Promass F
Process connection materials: SS 1.4404 (316L)
No internal gaskets with welded process connections

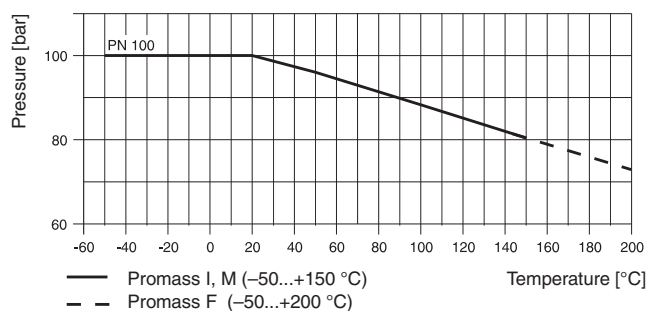


Diameter	Promass M L [mm]	Promass F L [mm]
DN 8 8-VCO-4 (1/2")	390	390
DN 15 12-VCO-4 (3/4")	430	430



Diameter (without nut)	Promass I L [mm]
DN 8 12-VCO-4 (3/4")	429
DN 15 12-VCO-4 (3/4")	465

Pressure limitations due fluid temperature



ti030y07

ti030y09

ti030y08

Sanitary Process Connections

Promass 63 I, M, F

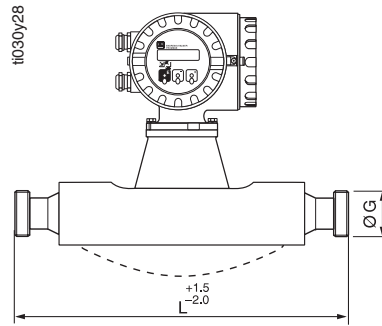
Wetted parts materials

Promass I (completely welded version)
Coupling / Tri-Clamp: titanium Grade 2

Promass M (connections with internal gaskets)
Coupling / Tri-Clamp: SS 1.4404 (316L)
Gasket: Silicone flat gasket (-60...+200 °C) or EPDM (-40...+160 °C), FDA licensed gasket materials

Promass F (completely welded version)
Coupling / Tri-Clamp: SS 1.4404 (316L)

Hygienic coupling DIN 11851/SMS 1145



Promass M, F

Dia- meter	L [mm]	Ø G	
		DIN 11851	SMS 1145
DN 8	367	Rd 34 x 1/8"	Rd 40 x 1/6"
DN 15	398	Rd 34 x 1/8"	Rd 40 x 1/6"
DN 25	434	Rd 52 x 1/6"	Rd 40 x 1/6"
DN 40	560	Rd 65 x 1/6"	Rd 60 x 1/6"
DN 50	720	Rd 78 x 1/6"	Rd 70 x 1/6"
DN 80 M	815	Rd 110 x 1/4"	-
DN 80 M	792	-	Rd 98 x 1/6"
DN 80 F	900	Rd 110 x 1/4"	Rd 98 x 1/6"
DN 100 *	1128	Rd 130 x 1/4"	Rd 132 x 1/6"

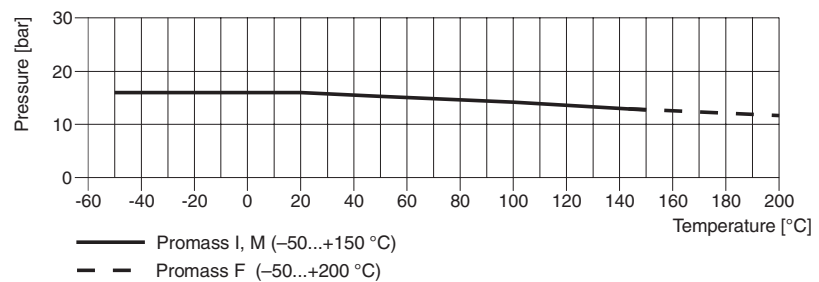
DN 8: with DN 15 connections as standard;
3A-version with $R_a \leq 0.8 \mu\text{m}$ available;
* DN 100: only for Promass F available

Promass I

Dia- meter	DIN 11851		SMS 1145	
	L [mm]	Ø G	L [mm]	Ø G
DN 8	426	Rd 28 x 1/8"	-	-
DN 8	427	Rd 34 x 1/8"	427	Rd 40 x 1/6"
DN 15	462	Rd 28 x 1/8"	-	-
DN 15	463	Rd 34 x 1/8"	463	Rd 40 x 1/6"
DN 15 **	602	Rd 34 x 1/8"	-	-
DN 25	603	Rd 52 x 1/6"	603	Rd 40 x 1/6"
DN 25 **	736	Rd 52 x 1/6"	736	Rd 40 x 1/6"
DN 40	731	Rd 65 x 1/6"	738	Rd 60 x 1/6"
DN 40 **	855	Rd 65 x 1/6"	857	Rd 60 x 1/6"
DN 50	856	Rd 78 x 1/6"	858	Rd 70 x 1/6"

** DN 15, 25, 40 "FB" = Full bore version of Promass I;
3A-version with $R_a \leq 0.8 \mu\text{m}$ as standard

Pressure limitations due to fluid temperature



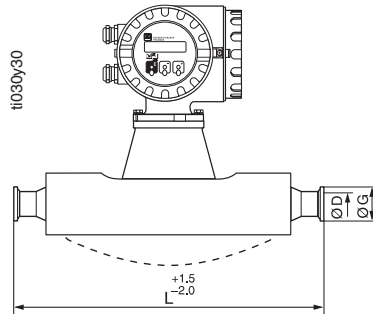
Wetted parts materials

Promass I (completely welded version)
Coupling / Tri-Clamp: titanium Grade 2

Promass M (connections with internal gaskets)
Coupling / Tri-Clamp: SS 1.4404 (316L)
Gasket: Silicone flat gasket (-60...+200 °C) or
EPDM (-40...+160 °C), FDA licensed gasket materials

Promass F (completely welded version)
Coupling / Tri-Clamp: SS 1.4404 (316L)

Tri-Clamp



Promass M, F

Diameter		Clamp	L [mm]	Ø G [mm]	Ø D [mm]
DIN	ANSI				
DN 8	3/8"	1/2"	367	25.0	9.5
DN 8	3/8"	1"	367	50.4	22.1
DN 15	1/2"	1/2"	398	25.0	9.5
DN 15	1/2"	1"	398	50.4	22.1
DN 25	1"	1"	434	50.4	22.1
DN 40	1 1/2"	1 1/2"	560	50.4	34.8
DN 50	2"	2"	720	63.9	47.5
DN 80 M	3"	3"	801	90.9	72.9
DN 80 F	3"	3"	900	90.9	72.9
DN 100 *	4"	4"	1128	118.9	97.4

3/8" and 1/2": with 1" connections as standard;
3A-version with $R_a \leq 0.8 \mu\text{m}$ available;
DN 100: only for Promass F available

Pressure limitations due to fluid temperature

The material load limit is exclusively determined by the material properties of the Tri-Clamp used. This clamp is not included in the shipment.

Promass I

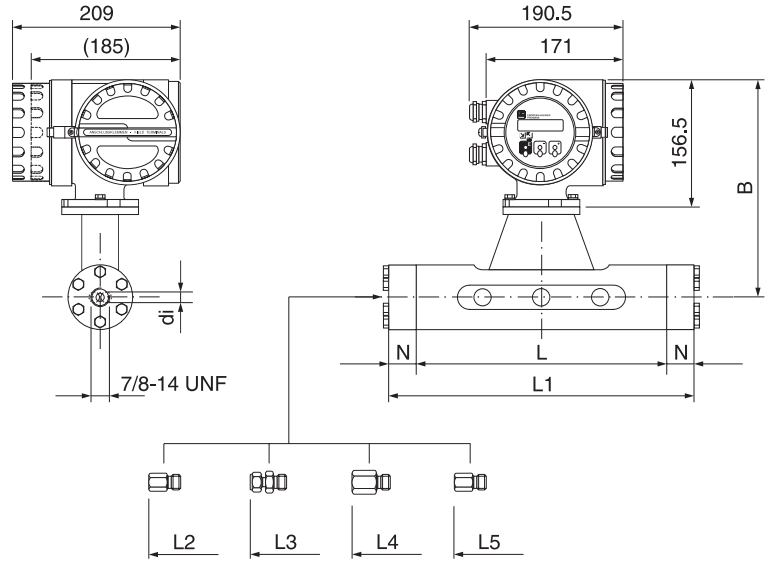
Diameter		Clamp	L [mm]	Ø G [mm]	Ø D [mm]
DIN	ANSI				
DN 8	3/8"	1/2"	426	25.0	9.5
DN 8	3/8"	3/4"	426	25.0	16.0
DN 8	3/8"	1"	427	50.4	22.1
DN 15	1/2"	1/2"	462	25.0	9.5
DN 15	1/2"	3/4"	462	25.0	16.0
DN 15	1/2"	1"	463	50.4	22.1
DN 15**	1/2"	3/4"	602	25.0	16.0
DN 25	1"	1"	603	50.4	22.1
DN 25**	1"	1"	730	50.4	22.1
DN 40	1 1/2"	1 1/2"	731	50.4	34.8
DN 40**	1 1/2"	1 1/2"	849	50.4	34.8
DN 50	2"	2"	850	63.9	47.5

**DN 15, 25, 40 "FB" = Full bore version of Promass I;
3A-version with $R_a \leq 0.8$ or $R_a \leq 0.4 \mu\text{m}$ as standard

Dimensions Process Connections

Promass 63 M (high pressure)

Compact version



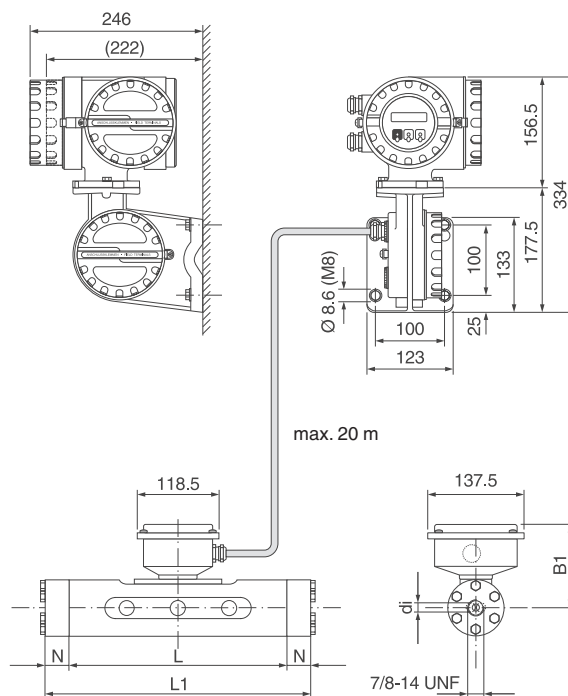
Process connection	N	L without connectors	L1 with connectors	L2 G 3/8"	L3 VCO with 1/2" SWAGELOK	L4 1/2" NPT	L5 3/8" NPT
DN 8	24	256	304	355.8	366.4	370	355.8
DN 15	24	286	334	385.8	396.4	400	385.8
DN 25	34	310	378	429.8	440.4	444	429.8

all dimensions in [mm]

Diameter		B	B1	di	Weight
DN	ANSI	[mm]	[mm]	[mm]	[mm]
DN 8	3/8"	262.5	113.0	4.93	11
DN 15	1/2"	264.5	114.5	7.75	12
DN 25	1"	268.5	119.0	10.20	15

ti030y48

Remote version



ti030y10

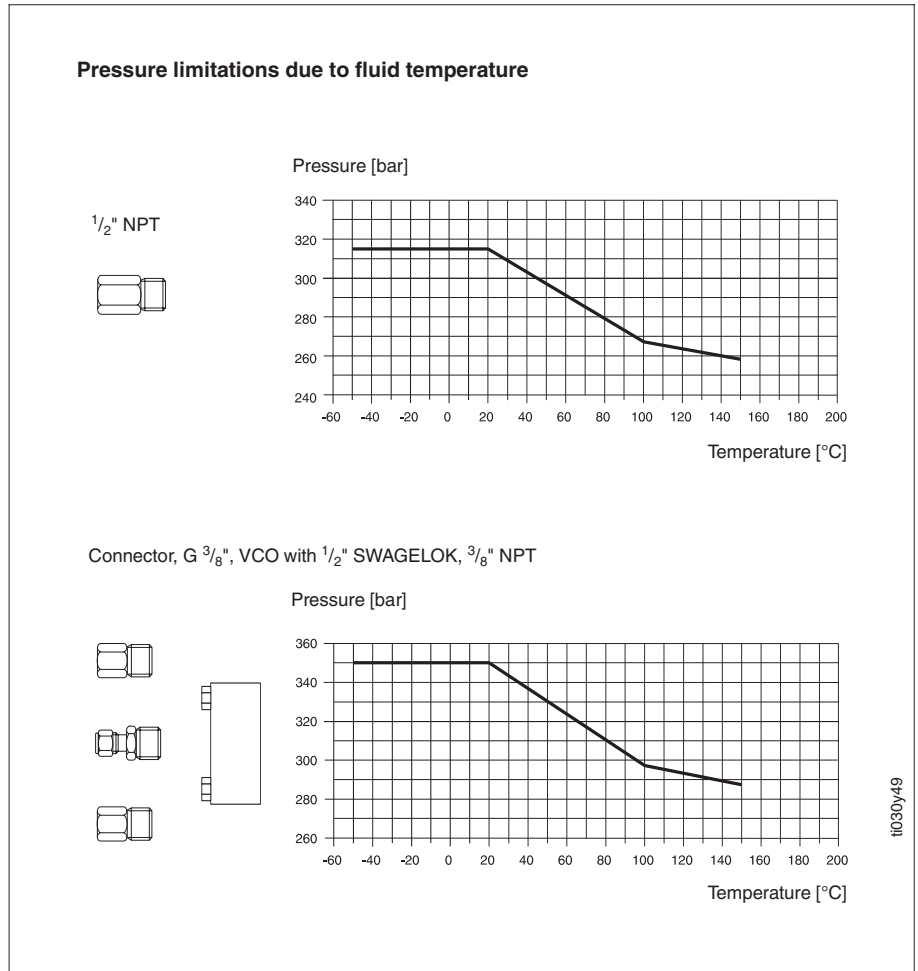
Pressure Limitations

Promass 63 M (high pressure)

Wetted parts materials

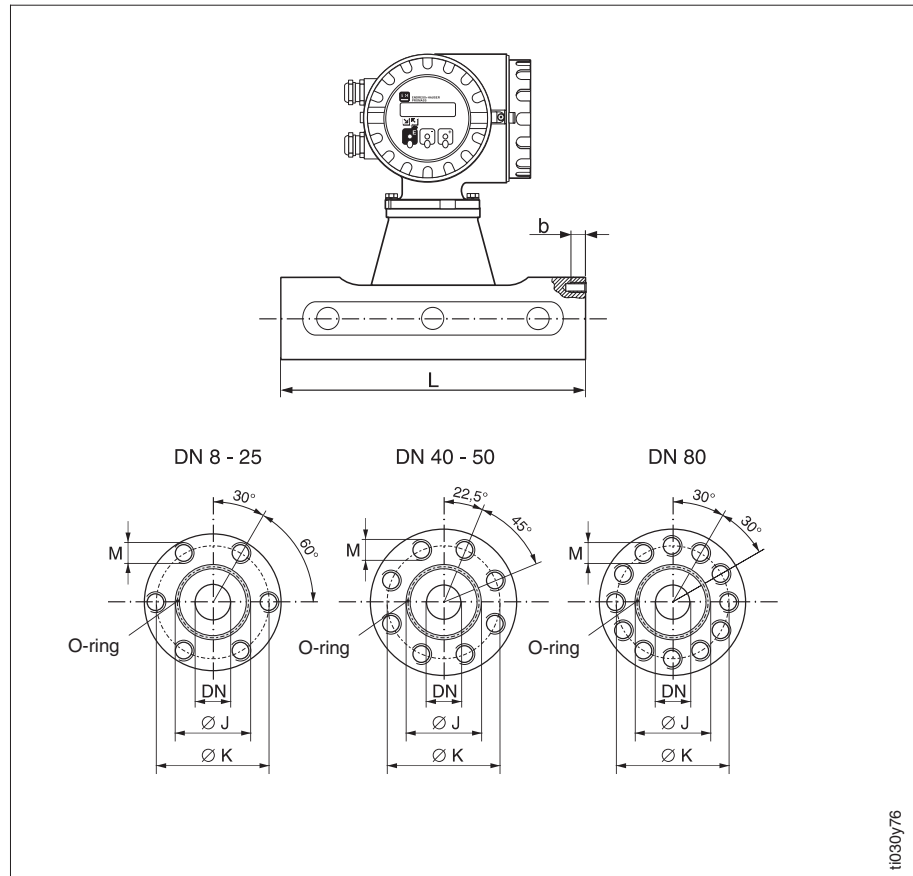
Measuring tube: titanium Grade 9
Connectors: SS 1.4404 (316L)
Fittings: SS 1.4401 (316)
Gaskets: O-ring in Viton (-15...+200 °C), Silicone (-60...+200 °C)

Couplings and connectors optimized for CNG (Compressed Natural Gas) applications.



Dimensions

Promass 63 M (without Process Connections)

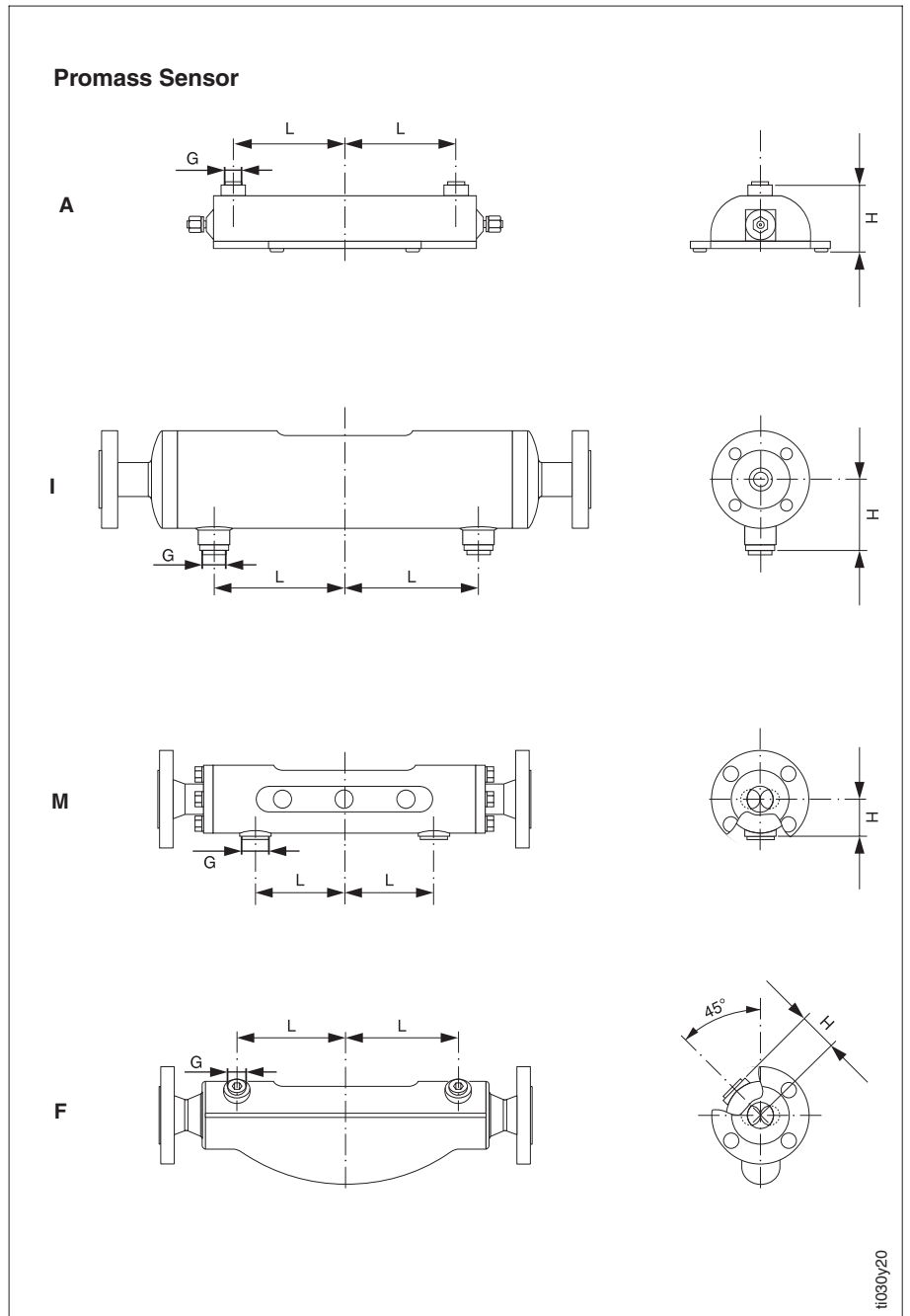


Diameter DN		Dimensions			Coupling		Minimum screw depth [mm]	Torque [Nm]	Lubricated thread yes/no	O-ring	
DIN	ANSI	∅ L [mm]	∅ J [mm]	∅ K [mm]	Screws M	Depth b [mm]				Diam. [mm]	Inside ∅ [mm]
DN 8	3/8"	256	27	54	6 x M 8	12	10	30.0	no	2.62	21.89
DN 8*	3/8"	256	27	54	6 x M 8	12	10	19.3	yes	2.62	21.89
DN 15	1/2"	286	35	56	6 x M 8	12	10	30.0	no	2.62	29.82
DN 15*	1/2"	286	35	56	6 x M 8	12	10	19.3	yes	2.62	29.82
DN 25	1"	310	40	62	6 x M 8	12	10	30.0	no	2.62	34.60
DN 25*	1"	310	40	62	6 x M 8	12	10	19.3	yes	2.62	34.60
DN 40	1 1/2"	410	53	80	8 x M 10	15	13	60.0	no	2.62	47.30
DN 50	2"	544	73	94	8 x M 10	15	13	60.0	yes	2.62	67.95
DN 80	3"	644	102	128	12 x M 12	18	15	100.0	yes	3.53	94.84

* High pressure version; Permissible thread: A4 - 80; Lubricant: Molykote P37

Dimensions

Purge Connection Pressure Vessel Control



Diameter		Promass A		Promass I		Promass M		Promass F		Connection
DIN	ANSI	L [mm]	H [mm]	L [mm]	H [mm]	L [mm]	H [mm]	L [mm]	H [mm]	G
DN 1	1/24"	92.0	87.0	-	-	-	-	-	-	1/2" NPT
DN 2	1/12"	130.0	87.0	-	-	-	-	-	-	1/2" NPT
DN 4	1/8"	192.5	97.1	-	-	-	-	-	-	1/2" NPT
DN 8	3/8"	-	-	61	78.15	85	44.0	108	47	1/2" NPT
DN 15	1/2"	-	-	79	78.15	100	46.5	110	47	1/2" NPT
DN 15*	1/2"	-	-	79	78.15	-	-	-	-	1/2" NPT
DN 25	1"	-	-	148	78.15	110	50.0	130	47	1/2" NPT
DN 25*	1"	-	-	148	78.15	-	-	-	-	1/2" NPT
DN 40	1 1/2"	-	-	196	90.85	155	59.0	155	52	1/2" NPT
DN 40*	1 1/2"	-	-	196	90.85	-	-	-	-	1/2" NPT
DN 50	2"	-	-	254	105.25	210	67.5	226	64	1/2" NPT
DN 80	3"	-	-	-	-	210	81.5	280	86	1/2" NPT
DN 100**	4"	-	-	-	-	-	-	342	100	1/2" NPT

* DN 15, 25, 40 "FB" = Full bore versions of Promass I;
 ** DN 100: only for Promass F available

Technical Data

Application																																	
<i>Instrument name</i>	Flow measuring system "Promass 63"																																
<i>Instrument function</i>	Mass and volumetric flow measurement of liquids and gases in closed pipings.																																
Function and system design																																	
<i>Measuring principle</i>	Mass flow measurement according to the Coriolis measuring principle (see page 3)																																
<i>Measuring system</i>	<p>Instrument family "Promass 63" consisting of: Transmitter: Promass 63 Sensors: Promass A, I, F and M</p> <ul style="list-style-type: none"> • Promass A DN 1, 2, 4 and DN 2, 4 (high pressure version) Single tube system in SS or Alloy C-22 • Promass I DN 8, 15, 25, 40, 50 (completely welded version) Straight single tube system in titanium DN 15 "FB", DN 25 "FB", DN 40 "FB": Full bore versions of Promass I with a higher full scale value (see table below) • Promass F DN 8, 15, 25, 40, 50, 80, 100 (completely welded version) Two slightly curved measuring tubes in SS (DN 8...100) or Alloy C-22 (DN 8...80) • Promass M DN 8, 15, 25, 40, 50, 80 (two straight measuring tubes in titanium). Containment vessel up to 100 bar. DN 8,15, 25 high pressure version for operating pressures up to 350 bar <p>Two versions are available: <ul style="list-style-type: none"> • Compact version • Remote version (max. 20 m) </p>																																
Input variables																																	
<i>Measured variables</i>	<ul style="list-style-type: none"> • Mass flow rate (is proportional to the phase difference between two sensors on the measuring tube which detect differences in its oscillation) • Fluid density (is proportional to the resonance frequency of the measuring tubes) • Fluid temperature (is measured with temperature sensors) 																																
<i>Measuring range</i>	<table border="1" style="width: 100%; border-collapse: collapse;"> <thead> <tr> <th rowspan="2">DN [mm]</th> <th colspan="2">Range of full scale values</th> </tr> <tr> <th>Liquid $\dot{m}_{\min(L)} \dots \dot{m}_{\max(L)}$</th> <th>Gas $\dot{m}_{\min(G)} \dots \dot{m}_{\max(G)}$</th> </tr> </thead> <tbody> <tr> <td>1</td> <td>0... 20.0 kg/h</td> <td rowspan="14"> The full scale depends on the density of the gas. The full scale value can be determined with the following formula: $\dot{m}_{\max(G)} = \frac{\dot{m}_{\max(L)} \cdot \rho_{(G)}}{x \cdot 16}$ <ul style="list-style-type: none"> $\dot{m}_{\max(G)}$ = Full scale value gas [t/h] $\dot{m}_{\max(L)}$ = Full scale value liquid [t/h] (value from table) $\rho_{(G)}$ = gas density [kg/m³] (at operating conditions) x = constant [kg/m³] Promass A: x = 20 Promass I, M, F: x = 100 </td> </tr> <tr><td>2</td><td>0...100.0 kg/h</td></tr> <tr><td>4</td><td>0...450.0 kg/h</td></tr> <tr><td>8</td><td>0... 2.0 t/h</td></tr> <tr><td>15</td><td>0... 6.5 t/h</td></tr> <tr><td>15*</td><td>0... 18.0 t/h</td></tr> <tr><td>25</td><td>0... 18.0 t/h</td></tr> <tr><td>25*</td><td>0... 45.0 t/h</td></tr> <tr><td>40</td><td>0... 45.0 t/h</td></tr> <tr><td>40*</td><td>0... 70.0 t/h</td></tr> <tr><td>50</td><td>0... 70.0 t/h</td></tr> <tr><td>80</td><td>0...180.0 t/h</td></tr> <tr><td>100</td><td>0...350.0 t/h</td></tr> </tbody> </table> <p style="text-align: center;">* DN 15, 25, 40 "FB" = Full bore version of Promass I</p>	DN [mm]	Range of full scale values		Liquid $\dot{m}_{\min(L)} \dots \dot{m}_{\max(L)}$	Gas $\dot{m}_{\min(G)} \dots \dot{m}_{\max(G)}$	1	0... 20.0 kg/h	The full scale depends on the density of the gas. The full scale value can be determined with the following formula: $\dot{m}_{\max(G)} = \frac{\dot{m}_{\max(L)} \cdot \rho_{(G)}}{x \cdot 16}$ <ul style="list-style-type: none"> $\dot{m}_{\max(G)}$ = Full scale value gas [t/h] $\dot{m}_{\max(L)}$ = Full scale value liquid [t/h] (value from table) $\rho_{(G)}$ = gas density [kg/m³] (at operating conditions) x = constant [kg/m³] Promass A: x = 20 Promass I, M, F: x = 100 	2	0...100.0 kg/h	4	0...450.0 kg/h	8	0... 2.0 t/h	15	0... 6.5 t/h	15*	0... 18.0 t/h	25	0... 18.0 t/h	25*	0... 45.0 t/h	40	0... 45.0 t/h	40*	0... 70.0 t/h	50	0... 70.0 t/h	80	0...180.0 t/h	100	0...350.0 t/h
DN [mm]	Range of full scale values																																
	Liquid $\dot{m}_{\min(L)} \dots \dot{m}_{\max(L)}$	Gas $\dot{m}_{\min(G)} \dots \dot{m}_{\max(G)}$																															
1	0... 20.0 kg/h	The full scale depends on the density of the gas. The full scale value can be determined with the following formula: $\dot{m}_{\max(G)} = \frac{\dot{m}_{\max(L)} \cdot \rho_{(G)}}{x \cdot 16}$ <ul style="list-style-type: none"> $\dot{m}_{\max(G)}$ = Full scale value gas [t/h] $\dot{m}_{\max(L)}$ = Full scale value liquid [t/h] (value from table) $\rho_{(G)}$ = gas density [kg/m³] (at operating conditions) x = constant [kg/m³] Promass A: x = 20 Promass I, M, F: x = 100 																															
2	0...100.0 kg/h																																
4	0...450.0 kg/h																																
8	0... 2.0 t/h																																
15	0... 6.5 t/h																																
15*	0... 18.0 t/h																																
25	0... 18.0 t/h																																
25*	0... 45.0 t/h																																
40	0... 45.0 t/h																																
40*	0... 70.0 t/h																																
50	0... 70.0 t/h																																
80	0...180.0 t/h																																
100	0...350.0 t/h																																

(continued on next page)

Input variables (continued)	
<i>Measuring range (continued)</i>	<p>Example for calculating a gas full scale value:</p> <p>Sensor: Promass F → x = 100 Nominal diameter DN 50 → 70.0 t/h (full scale value from table on page 26)</p> <p>Gas: Air with a density of 60.3 kg/m³ (at 20°C and 50 bar)</p> $\dot{m}_{\max(G)} = \frac{\dot{m}_{\max(L)} \cdot \rho_{(G)}}{x \cdot 16} = \frac{70.0 \cdot 60.3}{100 \cdot 16} = 26.4 \text{ t/h}$
<i>Operable flow range</i>	<p>up to 1000 : 1 This enables totalizer values to be accurately determined even in pulsating systems e.g. with reciprocating pumps.</p>
<i>Auxiliary input (with "RS 485" board only)</i>	<p>U = 3...30 V DC, R_i = 1.8 kΩ, pulsed or level mode Configurable for: totaliser reset, batching, zero point adjustment, zero point selection, positive zero return or full scale switching</p>
Output variables	
<i>Output signal</i>	<ul style="list-style-type: none"> • <i>Relay output 1</i> max. 60 V AC / 0.5 A or max. 30 V DC / 0.1 A Either NC or NO via a jumper available (factory setting: NO) Configurable for error message (failure), empty pipe detection, full scale switching, batch precontact, flow direction, limit value • <i>Relay output 2</i> max. 60 V AC / 0.5 A or max. 30 V DC / 0.1 A Either NC or NO via a jumper available (factory setting: NC) Configurable like relay 1 except error messages • <i>Current output 1/2</i> 0/4...20 mA, also acc. to NAMUR recommendations; R_L < 700 Ω; freely assignable to different measured values, time constant freely selectable (0.01...100.00 s), full scale value selectable, temperature coefficient typ. 0.005% o.f.s./°C HART protocol via current output 1 only o.f.s. = of full scale • <i>Pulse/Frequency output</i> freely assignable to one flow variable, active/passive selectable, active: 24 V DC, 25 mA (250 mA during 20 ms), R_L > 100 Ω passive: 30 V DC, 25 mA (250 mA during 20 ms) <ul style="list-style-type: none"> – <i>Frequency output</i>: f_{End} selectable up to 10 kHz On/off ratio 1:1, pulse width max. 10 s – <i>Pulse output</i>: pulse weighting adjustable, pulse polarity adjustable, pulse width adjustable (50 ms...10 s) Above a frequency of $\frac{1}{2 \times \text{pulse width}}$ the on/off ratio is 1:1
<i>Signal on alarm</i>	<p>The following applies until the fault has been cleared:</p> <ul style="list-style-type: none"> • Current output: failure mode selectable • Pulse/Frequency output: failure mode selectable • Relay 1: de-energised if configured to "FAILURE". • Relay 1/2: de-energised on power supply failure.
<i>Load</i>	R _L < 700 Ω (current output)
<i>Creep suppression</i>	Switch points for low flow selectable. Hysteresis: –50 %

Technical Data

Accuracy																																																									
<i>Reference conditions</i>	Error limits based on ISO / DIS 11631: <ul style="list-style-type: none"> • 20...30 °C; 2...4 bar • Calibration rig based on national standards • Zero point calibrated under operating conditions • Field density calibration carried out (or special density calibration) 																																																								
<i>Measured error</i>	<ul style="list-style-type: none"> • Mass flowrate (liquids): Promass A, M, F $\pm 0.10\% \pm [(\text{zero stability} / \text{flow rate}) \times 100]\%$ of rate I $\pm 0.15\% \pm [(\text{zero stability} / \text{flow rate}) \times 100]\%$ of rate • Mass flowrate (gas): Promass A, I, M, F $\pm 0.50\% \pm [(\text{zero stability} / \text{flow rate}) \times 100]\%$ of rate • Volume flowrate (liquids): Promass A, M $\pm 0.25\% \pm [(\text{zero stability} / \text{flow rate}) \times 100]\%$ of rate I $\pm 0.50\% \pm [(\text{zero stability} / \text{flow rate}) \times 100]\%$ of rate F $\pm 0.15\% \pm [(\text{zero stability} / \text{flow rate}) \times 100]\%$ of rate zero stability → see table below <p>Note!</p> <ul style="list-style-type: none"> • The values above refer to the pulse/frequency output. • Additional measuring error of the current output: $\pm 5 \mu\text{A}$ (typical) <table border="1" style="width: 100%; border-collapse: collapse; text-align: center;"> <thead> <tr> <th style="text-align: left;">Diameter DN</th> <th style="text-align: center;">Max. full scale [kg/h] or [l/h]</th> <th style="text-align: center;">Zero stability Promass A, M, F [kg/h] or [l/h]</th> <th style="text-align: center;">Zero stability Promass I [kg/h] or [l/h]</th> </tr> </thead> <tbody> <tr><td>1</td><td>20</td><td>0.0010</td><td>—</td></tr> <tr><td>2</td><td>100</td><td>0.0050</td><td>—</td></tr> <tr><td>4</td><td>450</td><td>0.0225</td><td>—</td></tr> <tr><td>8</td><td>2000</td><td>0.100</td><td>0.200</td></tr> <tr><td>15</td><td>6500</td><td>0.325</td><td>0.650</td></tr> <tr><td>15 *</td><td>18000</td><td>—</td><td>1.800</td></tr> <tr><td>25</td><td>18000</td><td>0.90</td><td>1.800</td></tr> <tr><td>25 *</td><td>45000</td><td>—</td><td>4.500</td></tr> <tr><td>40</td><td>45000</td><td>2.25</td><td>4.500</td></tr> <tr><td>40 *</td><td>70000</td><td>—</td><td>7.000</td></tr> <tr><td>50</td><td>70000</td><td>3.50</td><td>7.000</td></tr> <tr><td>80</td><td>180000</td><td>9.00</td><td>—</td></tr> <tr><td>100</td><td>350000</td><td>14.00</td><td>—</td></tr> </tbody> </table> <p style="text-align: center;">* DN 15, 25, 40 "FB" = Full bore versions Promass I</p> <p>Example for calculating the measured error: Promass F $\pm 0.10\% \pm [(\text{zero stability} / \text{flow rate}) \times 100]\%$ of rate DN 25; Flowrate = 3.6 t/h = 3600 kg/h</p> <p>Measured error → $\pm 0.10\% \pm \frac{0.9 \text{ kg/h}}{3600 \text{ kg/h}} \cdot 100\% = \pm 0.125\%$</p> <ul style="list-style-type: none"> • Density (liquid): Standard calibration: Promass A, I, M $\pm 0.02 \text{ g/cc}$ (1 g/cc = 1 kg/l) Promass F $\pm 0.01 \text{ g/cc}$ Special density calibration (optional): (calibration range = 0.8...1.8 g/cc, 5...80°C) Promass A, M $\pm 0.002 \text{ g/cc}$ Promass I $\pm 0.004 \text{ g/cc}$ Promass F $\pm 0.001 \text{ g/cc}$ Density calibration in the field: Promass A, M $\pm 0.0010 \text{ g/cc}$ Promass I $\pm 0.0020 \text{ g/cc}$ Promass F $\pm 0.0005 \text{ g/cc}$ • Temperature: Promass A, I, M, F $\pm 0.5 \text{ °C} \pm 0.005 \times T$ (T = fluid temp. in °C) 	Diameter DN	Max. full scale [kg/h] or [l/h]	Zero stability Promass A, M, F [kg/h] or [l/h]	Zero stability Promass I [kg/h] or [l/h]	1	20	0.0010	—	2	100	0.0050	—	4	450	0.0225	—	8	2000	0.100	0.200	15	6500	0.325	0.650	15 *	18000	—	1.800	25	18000	0.90	1.800	25 *	45000	—	4.500	40	45000	2.25	4.500	40 *	70000	—	7.000	50	70000	3.50	7.000	80	180000	9.00	—	100	350000	14.00	—
Diameter DN	Max. full scale [kg/h] or [l/h]	Zero stability Promass A, M, F [kg/h] or [l/h]	Zero stability Promass I [kg/h] or [l/h]																																																						
1	20	0.0010	—																																																						
2	100	0.0050	—																																																						
4	450	0.0225	—																																																						
8	2000	0.100	0.200																																																						
15	6500	0.325	0.650																																																						
15 *	18000	—	1.800																																																						
25	18000	0.90	1.800																																																						
25 *	45000	—	4.500																																																						
40	45000	2.25	4.500																																																						
40 *	70000	—	7.000																																																						
50	70000	3.50	7.000																																																						
80	180000	9.00	—																																																						
100	350000	14.00	—																																																						

Accuracy (continued)

Repeatability

- *Mass flowrate (liquids):*
Promass A, I, M, F
 $\pm 0.05\% \pm \left[\frac{1}{2} \times (\text{zero stability} / \text{flow rate}) \times 100 \right] \% \text{ of rate}$
- *Mass flowrate (gas):*
Promass A, I, M, F
 $\pm 0.25\% \pm \left[\frac{1}{2} \times (\text{zero stability} / \text{flow rate}) \times 100 \right] \% \text{ of rate}$
- *Volume flowrate (liquids):*
Promass
A, M $\pm 0.10\% \pm \left[\frac{1}{2} \times (\text{zero stability} / \text{flow rate}) \times 100 \right] \% \text{ of rate}$
I $\pm 0.20\% \pm \left[\frac{1}{2} \times (\text{zero stability} / \text{flow rate}) \times 100 \right] \% \text{ of rate}$
F $\pm 0.05\% \pm \left[\frac{1}{2} \times (\text{zero stability} / \text{flow rate}) \times 100 \right] \% \text{ of rate}$

Zero stability → see table on page 28

Example for calculating the repeatability:
Promass F $\pm 0.05\% \pm \left[(\text{zero stability} / \text{flow rate}) \times 100 \right] \% \text{ of rate}$
DN 25; Flowrate = 3.6 t/h = 3600 kg/h

Repeatability → $\pm 0,05\% \pm \frac{1}{2} \cdot \frac{0,9 \text{ kg/h}}{3600 \text{ kg/h}} \cdot 100\% = \pm 0,0625\%$

- *Density measurement (liquids):*
Promass A, M $\pm 0.00050 \text{ g/cc}$ (1 g/cc = 1 kg/l)
Promass I $\pm 0.00100 \text{ g/cc}$
Promass F $\pm 0.00025 \text{ g/cc}$

- *Temperature measurement:*
Promass A, I, M, F $\pm 0.25 \text{ }^\circ\text{C} \pm 0.0025 \times T$ (T = fluid temp. in $^\circ\text{C}$)

Process effects

- *Process temperature effect:*
The below value represents the zero point error due to changing process temperature away from temperature at which a zero point adjustment was carried out:
Promass A, I, M, F typical = $\pm 0,0002\% \text{ of full scale} / \text{ }^\circ\text{C}$
- *Process pressure effect:*
The below defined values represent the effect on accuracy of mass flow due to changing process pressure away from calibration pressure (values in % of rate / bar).

DN [mm]	Promass A flow rate % o.r.** / bar	Promass I flow rate % o.r.** / bar	Promass M flow rate % o.r.** / bar	Promass MP flow rate % o.r.** / bar	Promass F flow rate % o.r.** / bar
1	none	—	—	—	—
2	none	—	—	—	—
4	none	—	—	—	—
8	—	0.006	0.009	0.006	none
15	—	0.004	0.008	0.005	none
15 *	—	0.006	—	—	—
25	—	0.006	0.009	0.003	none
25 *	—	none	—	—	—
40	—	none	0.005	—	-0.003
40 *	—	0.006	—	—	—
50	—	0.006	none	—	-0.008
80	—	—	none	—	-0.009
100	—	—	—	—	-0.012

* DN 15, 25, 40 "FB" = Promass I mit vollem Nennweitenquerschnitt
** o.r. = of rate

Technical Data

Operating conditions	
Installation conditions	
<i>Installation instructions</i>	Orientation: vertical or horizontal. Restrictions on installation and other recommendations: see page 5 – 7
<i>Inlet and outlet sections</i>	Installation site is independent of inlet and outlet sections.
<i>Connection cable length</i>	max. 20 m (remote version)
Ambient conditions	
<i>Ambient temperature</i>	<p>Transmitter and Sensor: –25...+60 °C (Version with enhanced climate resistance: –40...+60 °C)</p> <ul style="list-style-type: none"> Depending on the fluid temperature, certain installation positions are to be observed to ensure that the permitted ambient temperature range for the transmitter is not exceeded (see page 7) An all-weather cover should be used to protect the housing from direct sunlight when mounting in the open. This is especially important in warmer climates and with high ambient temperatures. If the ambient temperature is below –25 °C, it is not recommended to use a version with display.
<i>Storage temp.</i>	–40...+80 °C
<i>Degree of protection (EN 60529)</i>	<p>Transmitter: IP 67; NEMA 4X Sensor: IP 67; NEMA 4X</p>
<i>Shock resistance</i>	according to IEC 68-2-31
<i>Vibration resistance</i>	up to 1 g, 10...150 Hz according to IEC 68-2-6
<i>Electromagnetic compatibility (EMC)</i>	Acc. to EN 50081 Part 1 and 2 / EN 50082 Part 1 and 2 as well as to NAMUR recommendations
Process conditions	
<i>Fluid temperature</i>	<ul style="list-style-type: none"> Sensor <p>Promass A –50...+200 °C Promass I –50...+150 °C Promass M –50...+150 °C Promass F –50...+200 °C</p> Gaskets <p>Viton –15...+200 °C EPDM –40...+160 °C Silicone –60...+200 °C Kalrez –30...+210 °C FEP coated –60...+200 °C</p>

Operating conditions (continued)	
<p><i>Pressure</i></p> <p><i>Material load diagrams: see page 13, 15 ff.</i></p>	<ul style="list-style-type: none"> • <i>Promass A</i> Fittings: max. 160 bar (standard version), max. 400 bar (high pressure version) Flanges: DIN PN 40 / ANSI CI 150, CI 300 / JIS 10K Containment vessel: 25 bar resp. 375 psi • <i>Promass I</i> Flanges: DIN PN 40...100 / ANSI CI 150, CI 300, CI 600 / JIS 10K, 20K, 40K, 63K Containment vessel: 25 bar (optional 40 bar) resp. 375 psi (optional 600 psi) • <i>Promass M</i> Flanges: DIN PN 40...100 / ANSI CI 150, CI 300, CI 600 / JIS 10K, 20K, 40K, 63K Containment vessel: 40 bar (optional 100 bar) resp. 600 psi (optional 1500 psi) • <i>Promass M (High pressure version)</i> Measuring tubes, connector, fittings: max. 350 bar Containment vessel: 100 bar resp. 1500 psi • <i>Promass F</i> Flanges: DIN PN 16...100 / ANSI CI 150, CI 300, CI 600 / JIS 10K, 20K, 40K, 63K Containment vessel: DN 8...80: 25 bar resp. 375 psi DN 100: 16 bar resp. 250 psi DN 8...50: optional 40 bar resp. 600 psi
<p><i>Pressure loss</i></p>	<p>Dependent on nominal diameter and sensor type (see page 8, 9)</p>

Technical Data

Mechanical construction													
<i>Design, dimensions</i>	see page 12 ff.												
<i>Weights</i>	see page 12, 14, 22												
<i>Materials</i>	<ul style="list-style-type: none"> • <i>Transmitter housing:</i> Powder-coated die-cast aluminium • <i>Sensor housing / containment vessel:</i> <table style="width: 100%; border: none;"> <tr> <td style="width: 150px;">Promass A, I, F</td> <td>Surfaces resistant to acids and alkalis, SS 1.4301 (304)</td> </tr> <tr> <td>Promass M</td> <td>Surfaces resistant to acids and alkalis, DN 8...50: chemically nickel-plated steel DN 80: SS 1.4313</td> </tr> </table> • <i>Sensor connection housing (remote version):</i> SS 1.4301 (304) • <i>Process connections:</i> see page 13, 15 - 21, 23 • <i>Measuring tubes:</i> <table style="width: 100%; border: none;"> <tr> <td style="width: 150px;">Promass A</td> <td>SS 1.4539 (904L), Alloy C-22 2.4602 (N 06022)</td> </tr> <tr> <td>Promass I</td> <td>titanium Grade 9</td> </tr> <tr> <td>Promass M</td> <td>DN 8...50: titanium Grade 9, DN 80: titanium Grade 2</td> </tr> <tr> <td>Promass F</td> <td>DN 8...100: SS 1.4539 (904L), DN 8...80: Alloy C-22 2.4602 (N 06022)</td> </tr> </table> • <i>Gaskets:</i> see page 13, 15 – 21, 23 	Promass A, I, F	Surfaces resistant to acids and alkalis, SS 1.4301 (304)	Promass M	Surfaces resistant to acids and alkalis, DN 8...50: chemically nickel-plated steel DN 80: SS 1.4313	Promass A	SS 1.4539 (904L), Alloy C-22 2.4602 (N 06022)	Promass I	titanium Grade 9	Promass M	DN 8...50: titanium Grade 9, DN 80: titanium Grade 2	Promass F	DN 8...100: SS 1.4539 (904L), DN 8...80: Alloy C-22 2.4602 (N 06022)
Promass A, I, F	Surfaces resistant to acids and alkalis, SS 1.4301 (304)												
Promass M	Surfaces resistant to acids and alkalis, DN 8...50: chemically nickel-plated steel DN 80: SS 1.4313												
Promass A	SS 1.4539 (904L), Alloy C-22 2.4602 (N 06022)												
Promass I	titanium Grade 9												
Promass M	DN 8...50: titanium Grade 9, DN 80: titanium Grade 2												
Promass F	DN 8...100: SS 1.4539 (904L), DN 8...80: Alloy C-22 2.4602 (N 06022)												
<i>Process connections</i>	<ul style="list-style-type: none"> • <i>Promass A</i> Welded process connections: 4-VCO-4 fittings, 1/2" Tri-Clamp Screw-on process connections: Flanges (DIN, ANSI, JIS B2238), NPT-F and SWAGELOK fittings • <i>Promass I</i> Welded process connections: 12-VCO-4 fittings, Flanges (DIN 2501, ANSI B16.5, JIS B2238) Sanitary connections: Tri-Clamp, Hygienic coupling DIN 11851 / SMS 1145 • <i>Promass M</i> Screw-on process connections: 8-VCO-4 fittings, 12-VCO-4 fittings, Flanges (DIN 2501, ANSI B16.5, JIS B2238) Sanitary connections: Tri-Clamp, Hygienic coupling DIN 11851 / SMS 1145 • <i>Promass M High pressure</i> Screw-on process connections: G 3/8", 1/2" NPT, 3/8" NPT fittings and 1/2" SWAGELOK coupling, connector with 7/8 14UNF internal thread • <i>Promass F</i> Welded process connections: 8-VCO-4 fittings, 12-VCO-4 fittings, Flanges (DIN 2501, ANSI B16.5, JIS B2238) Sanitary connections: Tri-Clamp, Hygienic coupling DIN 11851 / SMS 1145 												

Mechanical construction (continued)	
<i>Electrical connection</i>	<p><i>Wiring diagram:</i> see page 10, 11</p> <p><i>Cable glands (In-/outputs; remote version):</i> PG 13.5 cable glands (5...15 mm) or 1/2" NPT, M 20 x 1.5 (8...15 mm), G 1/2" threads for cable glands</p> <p><i>Galvanic isolation:</i></p> <ul style="list-style-type: none"> All circuits for inputs, outputs, power supply, and sensor are galvanically isolated from each other. Is the instrument equipped with identical outputs (e.g. 2 current outputs), then these outputs are not galvanically isolated from each other. DoS version: The connecting cable between the Promass sensor and the "Procom DZL 363" transmitter is galvanically connected to its power supply. <p><i>Cable specifications (remote version):</i> see page 11</p>
User interface	
<i>Operation</i>	On-site operation with 3 operating elements for setting all instrument functions in the E+H operating matrix (see page 4)
<i>Display</i>	LC-display, illuminated, double-spaced with 16 characters each
<i>Communication</i>	<ul style="list-style-type: none"> Rackbus 485 interface (Rackbus protocol) SMART protocol (HART protocol via current output 1) PROFIBUS-PA, direct or via Commuwin II DoS and Dx interface for connecting to the "Procom DZL 363" (see page 10, 11)
Power supply	
<i>Supply voltage, Frequency</i>	<p><i>Transmitter:</i> 85...260 V AC (50...60 Hz) 20... 55 V AC, 16...62 V DC</p> <p><i>Sensor:</i></p> <ul style="list-style-type: none"> is supplied by the transmitter or power supplied by the multifunctional "Procom DZL 363" transmitter (DoS version), 40...55 V DC, galvanically connected to the power supply of Procom DZL 363
<i>Power consumption</i>	AC: < 15 VA (incl. sensor) DC: < 15 W (incl. sensor)
<i>Power supply failure</i>	<p>Bridges min. 1 power cycle (22 ms).</p> <ul style="list-style-type: none"> EEPROM saves measuring system data on power failure (no batteries required). DAT = exchangeable data storage module which stores all sensor data such as calibration data, nominal diameter, sensor version, etc. When replacing the transmitter or its electronics, the old DAT module is simply inserted into the new transmitter. When the system is restarted, the measuring point then operates using the variables stored in the DAT.

Technical Data

Certificates and approvals									
<i>Ex approvals</i>	Information on presently available Ex versions (e.g. CENELEC, SEV, FM, CSA) can be supplied by your E+H Sales Centre on request. All explosion protection data are given in separate documentation available on request.								
<i>CE mark</i>	By attaching the CE-mark, Endress+Hauser confirms that the Promass 63 measurement system has been successfully tested and fulfils all legal requirements of the relevant EC directives.								
Order information									
<i>Accessories</i>	<ul style="list-style-type: none"> • <i>Post mounting set for Promass A:</i> DN 1, 2: Order No. 50077972 DN 4: Order No. 50079218 • <i>Post mounting set for remote transmitter housing:</i> Order No. 50076905 								
<i>Supplementary documentation</i>	<table> <tr> <td>System Information Promass</td> <td>SI 014D/06/en</td> </tr> <tr> <td>Technical Information Promass 60</td> <td>TI 029D/06/en</td> </tr> <tr> <td>Operating Manual Promass 60</td> <td>BA 013D/06/en</td> </tr> <tr> <td>Operating Manual Promass 63</td> <td>BA 014D/06/en</td> </tr> </table>	System Information Promass	SI 014D/06/en	Technical Information Promass 60	TI 029D/06/en	Operating Manual Promass 60	BA 013D/06/en	Operating Manual Promass 63	BA 014D/06/en
System Information Promass	SI 014D/06/en								
Technical Information Promass 60	TI 029D/06/en								
Operating Manual Promass 60	BA 013D/06/en								
Operating Manual Promass 63	BA 014D/06/en								
Other standards and guidelines									
EN 60529	Degree of protection (IP-Code)								
EN 61010	Protection Measures for Electronic Equipment for Measurement, Control, Regulation and Laboratory Procedures								
EN 50081	Part 1 and 2 (interference emission)								
EN 50082	Part 1 und 2 (interference immunity)								
NAMUR	Association of Standards for Control and Regulation in the Chemical Industry								

Registered Trademarks

KALREZ®
Registered Trademark of
E.I. Du Pont de Nemours & Co.,
Wilmington, USA

SWAGELOK®
Registered Trademark of
Swagelok & Co., Solon, USA

TRI-CLAMP®
Registered Trademark of
Ladish & Co., Inc., Kenosha, USA

VITON®
Registered Trademark of
E.I. Du Pont de Nemours & Co.,
Wilmington, USA

Subject to modification

Endress+Hauser
GmbH+Co.
Instruments International
P.O. Box 2222
D-79574 Weil am Rhein
Germany

Tel. (07621) 975-02
Tx 773926
Fax (07621) 975 345
<http://www.endress.com>
info@ii.endress.com

Endress + Hauser
The Power of Know How

