



Corporate Headquarters

SHEET METAL CONNECTORS, INC.

5850 MAIN STREET N.E. • MINNEAPOLIS, MINNESOTA 55432
Toll Free: 800-328-1966 Local: 763-572-0000 Fax: 763-572-1100
www.smcduct.com

Manufacturing Facilities

5850 Main Street N.E.
Minneapolis, MN 55432
LOCAL: 763-572-0000
TOLL FREE: 1-800-328-1966
FAX: 763-572-1100

5601 Sandy Hollow Road
Rockford, IL 61109
LOCAL: 815-874-4600
TOLL FREE: 1-866-504-4600
FAX: 815-874-9979

Sheet Metal Connectors, Inc. is proud to be a member or affiliated with the following associations;



YELLOW LABEL

Sheet Metal Workers' International Association
Washington, DC



Sheet Metal Air Conditioning Contractors'
National Association
Chantilly, VA



SPIDA
Spiral Duct Manufacturers Association
Irmo, SC



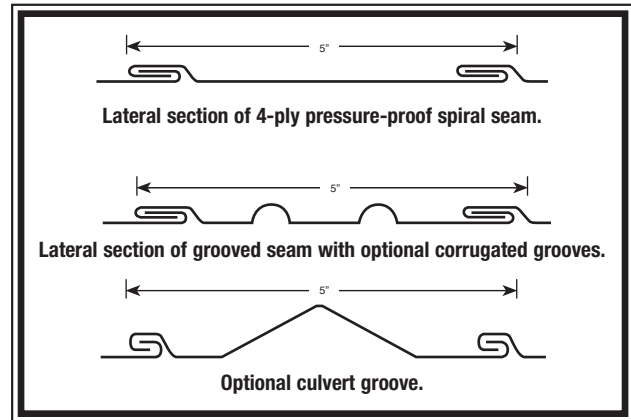
SMACNA Testing & Research Institute
Chantilly, VA



HVAC EXPERTISE
PERFORMANCE • TRAINING • STANDARDS

The E-Z Flange Spiral Pipe System

Sheet Metal Connectors, Inc. E-Z Flange spiral pipe and fittings are one part of our complete line of HVAC products. The spiral pipe is formed from a coil of metal into a rigid tube with a 4-ply lockseam. It has a smooth interior low friction loss with the grooved seam entirely on the outside. This pipe has a resistance to crushing approximately 2 1/2 times that of longitudinal lockseam or welded pipe. Optional corrugations are available which increase the rigidity of the pipe by approximately 300%. Pipe sections are joined together by an E-Z Flange Jr. or an E-Z Flange with barrel clamp, which exceeds ASHRAE and SMACNA Class 3 Leakage Tests.



E-Z Flange Jr. with Barrel Clamp 6" – 24" Diameter

DIAMETER	MATERIAL	THICKNESS	ASTM	TYPE	LENGTH
6" - 24"	Galvanized	26 - 20 gauge	A-653	G60-G90	1' - 20'; 9' 11" Standard
6" - 24"	Paint Grip	24 - 20 gauge	A-653	A60	1' - 20'; 9' 11" Standard
6" - 24"	PVS	24 - 20 gauge	A-653	4 x 1, 4 x 4	1' - 20'; 9' 11" Standard
6" - 24"	Aluminum	.032 - .048	B-316	3003 H-14	1' - 20'; 9' 11" Standard

E-Z Flange with Barrel Clamp 26" – 96" Diameter

DIAMETER	MATERIAL	THICKNESS	ASTM	TYPE	LENGTH
26" - 96"	Galvanized	26 - 14 gauge	A-653	G60-G90	1' - 20'; 10' Standard
26" - 96"	Paint Grip	24 - 18 gauge	A-653	A60	1' - 20'; 10' Standard
26" - 96"	PVS	24 - 16 gauge	A-653	4 x 1, 4 x 4	1' - 20'; 10' Standard
26" - 96"	Aluminum	.032 - .063	B-316	3003 H-14	1' - 20'; 10' Standard



Note: SMACNA Testing and Research Institute verified that Sheet Metal Connectors, Inc. shop standards comply with the 2005-3rd edition of the SMACNA HVAC Duct Construction Standards.



SHEET METAL CONNECTORS, INC.

FABRICATION THAT PERFORMS

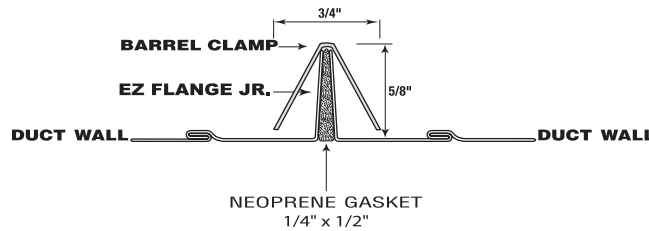
MINNEAPOLIS, MN 1-800-328-1966 • ROCKFORD, IL 1-866-504-4600

May 2013

E-Z Flange Jr. Spiral Pipe System

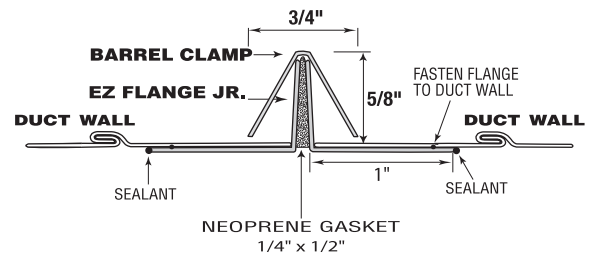
The E-Z Flange Jr. Spiral Pipe System has a 5/8" flange roll formed directly on the ends of the spiral pipe and fittings. Since the flange is part of the pipe and fittings, it adds rigidity and there is no chance for leakage. With no protrusions in the air stream to disrupt the airflow, the E-Z Flange Jr. Spiral Pipe System is much more efficient than any other self sealing system.

The E-Z Flange Jr. Spiral Pipe System is assembled by applying a gasket to one flange, mating the two flanges together, and attaching the barrel clamp. The E-Z Flange Jr. Spiral Pipe System is sealed so tight that it out performs both ASHRAE and SMACNA Leakage Class 3 Testing. There is virtually no leakage at the transverse connections (test data available).



E-Z Flange Jr. with Barrel Clamp Field Cut Set

- Meets SMACNA Rigidity Class A per the SMACNA Testing and Research Institute.
- E-Z Flange Jr. sets are fabricated to fit inside the spiral pipe and fittings ranging from 6" to 24" diameter
- Manufactured from 22 gauge galvanized material meeting specifications ASTM A-653 (lock forming quality)
- Also available in PVS, aluminum, and paint grip materials upon request
- E-Z Flange Jr. can be installed on site
- Ducts can be disassembled and reassembled
- E-Z Flange Jr. is assembled using a barrel clamp system that locks together with two 3/8" carriage bolts, no screws are required.
- E-Z Flange Jr. can be used on single wall, double wall.
- Virtually no leakage at traverse connection, test data available.
- Sold in sets only, a set consists of 2 flanges and 1 barrel clamp



SHEET METAL CONNECTORS, INC.

FABRICATION THAT PERFORMS

MINNEAPOLIS, MN 1-800-328-1966 • ROCKFORD, IL 1-866-504-4600

E-Z Flange Spiral Pipe System

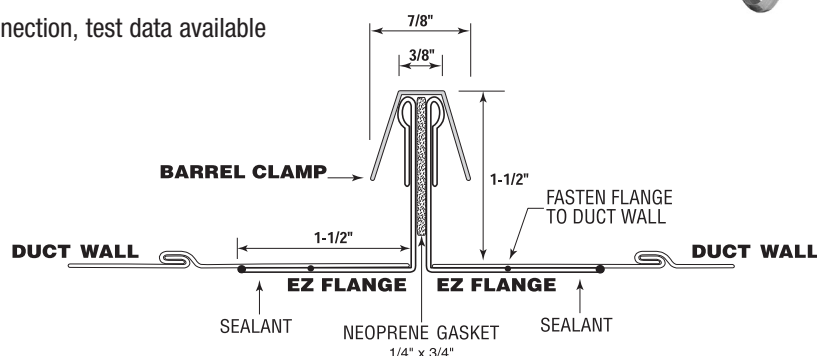
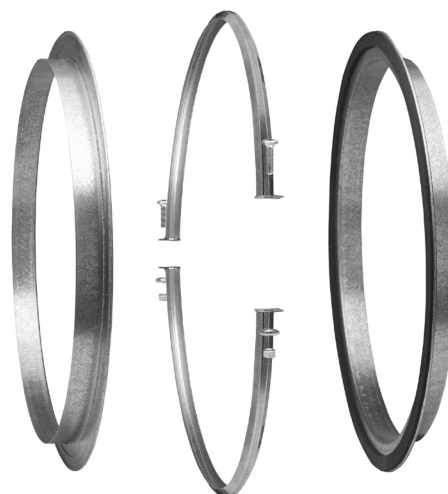
The E-Z Flange Spiral Pipe System has factory installed flanges on the ends of the spiral pipe and fittings which adds strength and rigidity to the system. The flanges are attached by either spotwelds or button lock, there are no screws protruding into the air stream. Factory installed E-Z Flanges are sealed internally making an airtight and better looking connection.

The E-Z Flange Spiral Pipe System is assembled by applying a gasket to one flange, mating the two flanges together, and attaching the barrel clamp. The E-Z Flange Spiral Pipe System is sealed so tight that it performs both ASHRAE and SMACNA Leakage Class 3 Testing. There is virtually no leakage at the transverse connections (test data available).



E-Z Flange with Barrel Clamp Field Cut Set

- Meets SMACNA Rigidity Class C per the SMACNA Testing and Research Institute.
- E-Z Flanges are fabricated to fit inside spiral pipe and fittings ranging from 26" to 96" in diameter
- Manufactured from 16 gauge galvanized material meeting specifications ASTM A-653 (lock forming quality)
- Also available in PVS, aluminum, and paint grip materials upon request
- E-Z Flanges can be installed on site or factory installed
- Ducts can be disassembled and reassembled
- E-Z Flanges are assembled using a barrel clamp system that locks together with two 3/8" carriage bolts, no screws are needed.
- E-Z Flange can be used on single wall, double wall and flat oval ductwork
- Virtually no leakage at transverse connection, test data available



SHEET METAL CONNECTORS, INC.

FABRICATION THAT PERFORMS

MINNEAPOLIS, MN 1-800-328-1966 • ROCKFORD, IL 1-866-504-4600

Weight and Gauge Chart

Diam.	26 Gauge lbs./ft.	24 Gauge lbs./ft.	22 Gauge lbs./ft.	20 Gauge lbs./ft.	18 Gauge lbs./ft.	16 Gauge lbs./ft.
6"	1.6	2.0	2.5	3.0		
7"	1.9	2.4	2.9	3.4		
8"	2.1	2.8	3.3	3.9		
9"	2.4	3.1	3.8	4.4		
10"	2.6	3.4	4.2	4.9		
11"	2.9	3.8	4.6	5.4		
12"	3.2	4.1	5.0	5.9		
13"		4.5	5.4	6.4		
14"		4.8	5.8	6.9		
15"		5.1	6.2	7.4		
16"		5.5	6.6	7.8		
17"		5.8	7.1	8.3		
18"		6.1	7.5	8.8		
20"		6.8	8.3	9.8		
22"		7.5	9.1	10.8		
24"		8.2	9.9	11.7		
26"			10.8	12.7	16.9	20.6
28"			11.6	13.7	18.2	22.2
30"			12.4	14.6	19.5	23.8
32"			13.3	15.6	20.8	25.4
34"			14.1	16.6	22.0	26.9
36"			14.9	17.6	23.3	28.5
38"				18.5	24.6	30.1
40"				19.5	25.9	31.7
42"				20.5	27.2	33.3
44"				21.5	28.5	34.9
46"				22.5	29.8	36.4
48"				23.4	31.1	38.0
50"				24.5	32.4	39.6
52"					33.7	41.3
54"					34.8	42.9
56"					36.3	44.5
58"					37.4	46.0
60"					38.9	47.3

Standard gauges in boxed area, weights may vary slightly.

E-Z Flange Jr. is manufactured up to 20 Ga. (shown in blue).

CLOSE CELL NEOPRENE GASKET

Neoprene	1/4" x 1/2"	(50' rolls - 1500' per box)	E-Z Flange Jr.
Neoprene	1/4" x 3/4"	(50' rolls - 1500' per box)	E-Z Flange & TDC

Positive Pressure

Bursting Pressure various gauges of spiral tubing

Diam.	26 Gauge	24 Gauge	22 Gauge	20 Gauge	18 Gauge
6"	199	252	308	363	
7"	169	216	262	309	
8"	145	186	224	264	
9"	127	161	196	230	
10"	113	144	177	208	
12"	93	118	145	171	
14"	76	100	120	142	
16"	68	86	103	122	
18"		75	91	104	
20"		66	81	96	
22"		60	72	85	
24"			66	78	
26"			61	72	94
28"			55	65	85
30"			51	60	78
32"			47	56	73
34"				52	68
36"				48	65
38"				45	59
40"				42	55
42"				39	51
44"					47
46"					44
48"					41
50"					39

All tube diameters in inches. All pressure in PSI.

Internal Pressure

Collapsing Pressure various gauges of spiral tubing

Diam.	26 Gauge	24 Gauge	22 Gauge	20 Gauge	18 Gauge	16 Gauge
6"	220.4					
8"	69.2	121.2				
10"	34.6	110.6	691.7			
12"	22.0	55.1	249.2	1107.0		
14"	15.3	38.5	110.6	456.6		
16"	11.0	27.5	105.1	236.2		
18"	9.0	20.8	53.9	149.6		
20"	7.8	16.5	38.5	99.6		
22"	7.2	14.1	30.3	72.0		
24"	5.5	11.8	24.8	55.5		
26"	5.1	9.8	20.8	44.0	110.6	290.5
28"	4.7	8.6	18.1	35.8	88.5	243.7
30"	4.3	8.2	15.3	30.3	69.2	166.1
32"		6.6	13.7	26.3	58.2	128.7
34"				22.0	48.4	103.9
36"		5.5	11.0	20.4	42.9	85.8
38"				17.7	37.4	72.0
40"		4.3	9.8	16.5	33.0	62.2
42"			9.0	15.3	29.1	53.9
44"				13.7	26.3	47.2
46"				12.5	23.6	41.3
48"				11.8	22.0	37.4
50"				11.0	19.2	34.6
60"					14.9	24.8

Internal negative pressure in inches of water.

These tables are given only as a courtesy. Sheet Metal Connectors is not responsible for any results listed on these charts.



SHEET METAL CONNECTORS, INC.

FABRICATION THAT PERFORMS

MINNEAPOLIS, MN 1-800-328-1966 • ROCKFORD, IL 1-866-504-4600

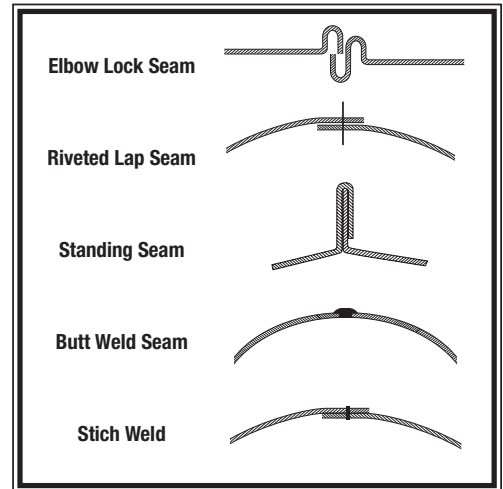
E-Z Flange Spiral Pipe System

Fittings

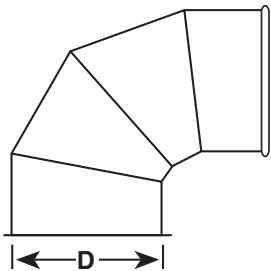
Sheet Metal Connectors, Inc. E-Z Flange Spiral Pipe System has a complete line of compatible fittings. E-Z Flange fittings are manufactured on our state of the art fabrication equipment. Many different materials, gauges, and configurations are available. E-Z Flange fittings can be fabricated with standing seam, elbow lock seam, or welded seam construction. Please consult our factory for more information.

All fittings are manufactured with:

- E-Z Flange Jr. with Barrel Clamp – 6” to 24” Diameter
- E-Z Flange with Barrel Clamp – 26” to 96” Diameter

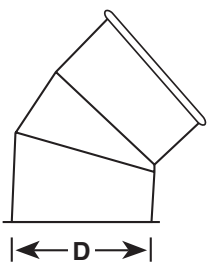


Adjustable Elbows & Angles



90° Throat and Gauge Chart

Diam.	26 Gauge	24 Gauge	22 Gauge	Diam.	26 Gauge	24 Gauge	22 Gauge
6"	3"	3"	3"	14"	N/A	4"	4"
7"	3"	3"	3"	15"	N/A	4"	4"
8"	3"	3"	3"	16"	N/A	4"	4"
9"	3"	3"	3"	18"	N/A	5"	5"
10"	3"	3"	3"	20"	N/A	6"	6"
11"	4"	4"	4"	22"	N/A	N/A	6"
12"	4 1/2"	4 1/2"	4 1/2"	24"	N/A	N/A	6"
13"	5"	5"	5"				



45° Throat and Gauge Chart

Diam.	26 Gauge	24 Gauge	22 Gauge	Diam.	26 Gauge	24 Gauge	22 Gauge
6"	5"	5"	5"	14"	N/A	6"	6"
7"	6"	6"	6"	15"	N/A	6"	6"
8"	6"	6"	6"	16"	N/A	6"	6"
9"	6"	6"	6"	18"	N/A	6"	6"
10"	6"	6"	6"	20"	N/A	8"	8"
11"	6"	6"	6"	22"	N/A	N/A	9"
12"	6"	6"	6"	24"	N/A	N/A	10"
13"	6"	6"	6"				

Adjustable elbows and angles are versatile and are most commonly used in a standard spiral duct system.

Full sweep elbows and angles are available up to 16” diameter



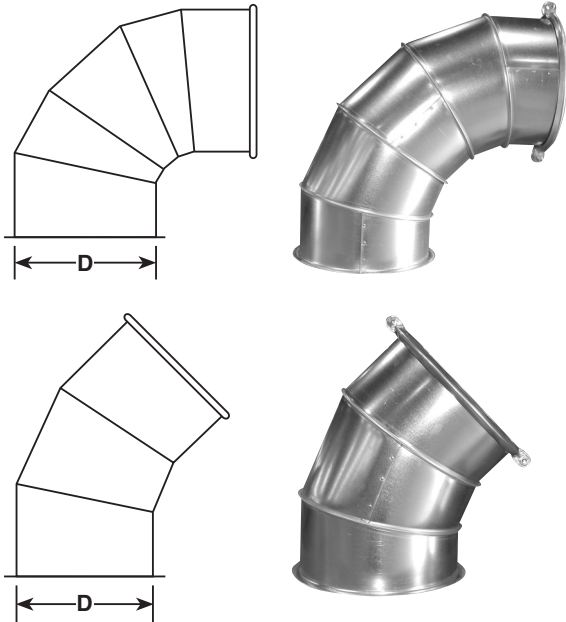
SHEET METAL CONNECTORS, INC.

FABRICATION THAT PERFORMS

MINNEAPOLIS, MN 1-800-328-1966 • ROCKFORD, IL 1-866-504-4600

E-Z Flange Spiral Pipe System

Standing Seam Elbows & Angles



Standing Seam Elbows and Angles

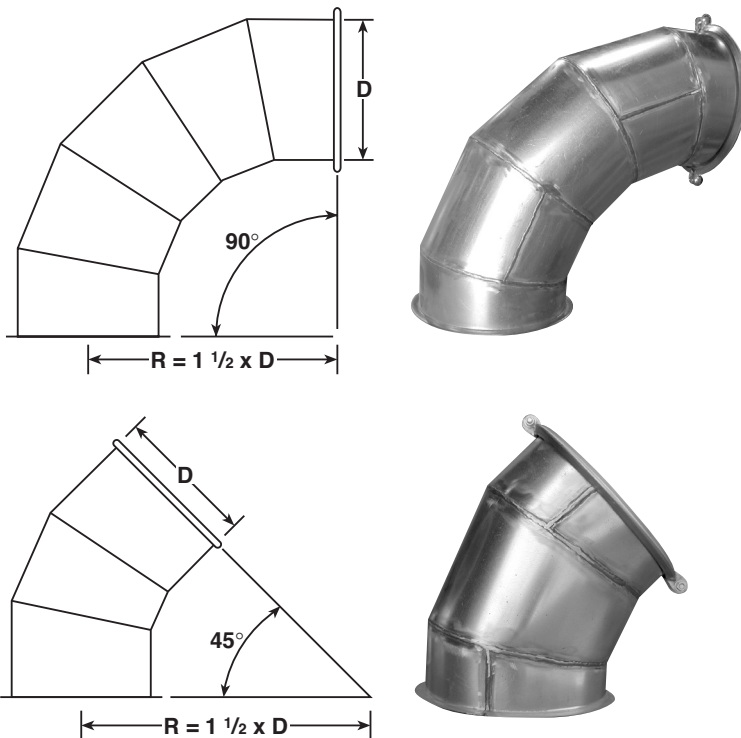
Standing Seam fittings work well for medium pressure applications plus offer an alternative to welded elbows and angles. Available in E-Z Flange Jr. 8" – 24" diameter and E-Z Flange 26" – 60" diameter.

Standard Throats	
8" thru 18"	8" Throat
20" thru 40"	10" Throat
42" thru 60"	20" Throat

Full Sweep Standing Seam Elbows

8"-60" will be a 5 gore one piece standard throat construction. 52" and larger in diameter 90 degree full sweep elbows are fabricated using two 45 degree angles connected with an E-Z Flange and Barrel Clamp unless otherwise specified.

Welded Gored Elbows & Angles



Welded Gored Elbows & Angles

Welded Gored elbows and angles are used in high pressure and low leakage systems. Standard elbows and angles are fabricated from 20 gauge material. Available in E-Z Flange Jr. 6" – 24" diameter and E-Z Flange 26" – 60" diameter. 52" and larger in diameter 90 degree full sweep (1.5 x CL) elbows are fabricated using two 45 degree angles connected with an E-Z Flange and Barrel Clamp unless otherwise specified.



SHEET METAL CONNECTORS, INC.

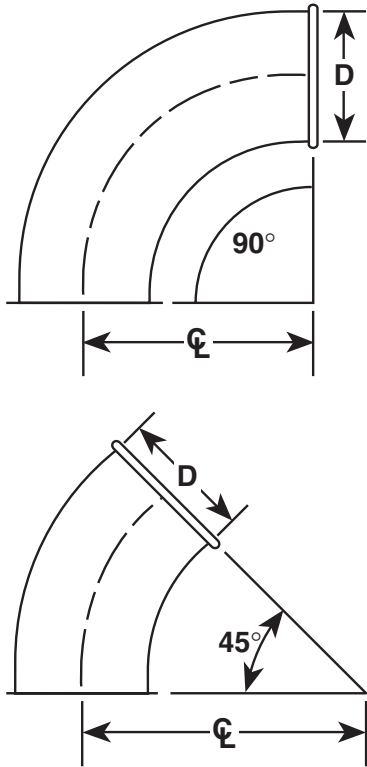
FABRICATION THAT PERFORMS

MINNEAPOLIS, MN 1-800-328-1966 • ROCKFORD, IL 1-866-504-4600

E-Z Flange Spiral Pipe System

All stamped fittings are manufactured from extra deep drawing steel (EDDS) in accordance with ASTM-A653. This type of steel is manufactured by domestic steel mills and has some unique qualities. Stamped fittings are precision drawn, tolerances must be within + or - .002 thickness to assure a quality product at all times. All pressed fittings are made of 24 Ga. or 22 Ga. Galvanized material with a G60 coating thickness and are chemically treated to retard white rust.

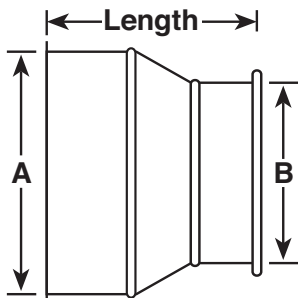
Two Piece Pressed Solid Welded Elbows



Centerline Throat Radius Chart

Diam.	90°	45°
6"	10 1/2"	10 1/2"
7"	12"	12"
8"	13 1/2"	13 1/2"
9"	15"	15"
10"	16 1/2"	16 1/2"
12"	19 1/2"	19 1/2"

Pressed Concentric Reducer



Pressed Reducers

A	B	Overall Length
8"	6"	6 1/4"
10"	6"	8"
10"	8"	6 1/4"
12"	8"	8"
12"	10"	6 1/4"
14"	10"	8"
14"	12"	6 1/4"
16"	10"	10"
16"	12"	8"
16"	14"	6 1/4"
18"	12"	10"
18"	14"	8"
18"	16"	6 1/4"

All sizes listed are in stock



SHEET METAL CONNECTORS, INC.

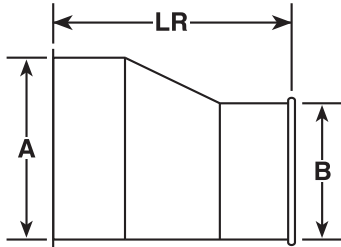
FABRICATION THAT PERFORMS

MINNEAPOLIS, MN 1-800-328-1966 • ROCKFORD, IL 1-866-504-4600

E-Z Flange Spiral Pipe System

Eccentric Reducer

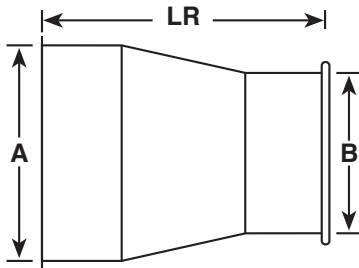
Dimensions to be listed as follows: A, B
 $LR = 2 \frac{1}{2} \times \text{Reduction} + 6"$



Size Reduction	LR
1" reduction	8 1/2"
2" reduction	11"
3" reduction	13 1/2"
4" reduction	16"
5" reduction	18 1/2"
6" reduction	21"
7" reduction	23 1/2"
8" reduction	26"
9" reduction	28 1/2"
10" reduction	31"
11" reduction	33 1/2"
12" reduction	36"
14" reduction	41"
16" reduction	46"
18" reduction	51"
20" reduction	56"

Concentric Reducer

Dimensions to be listed as follows: A, B
 $LR = (\text{See chart below})$



Standard Lengths for Concentric Reducers (LR)

Galvanized pressed reducers (see bottom chart on page 7).

30										31	31	28	25	23	20	17	14	12	10
28									31	28	28	25	23	20	17	14	12	10	
26							28	28	25	24	23	20	17	14	12	10			
24						28	25	24	23	21	20	17	14	12	10				
22					25	24	23	21	20	19	17	14	12	10					
20					23	21	20	19	17	16	14	13	10						
18				21	20	19	17	16	14	13	12	10							
16			20	19	17	16	14	13	12	10	10								
14		19	17	16	14	13	12	10	10	9									
13	20	19	17	16	14	13	12	10	10	9									
12	19	17	16	14	13	12	10	10	9										
11	17	16	14	13	12	10	10	9											
10	16	14	13	12	10	10	9												
9	14	13	12	10	10	9													
8	13	12	10	10	9														
7	13	10	10	9															
6																			
5																			
4																			
3																			
	3	4	5	6	7	8	9	10	11	12	13	14	16	18	20	22	24	26	28



SHEET METAL CONNECTORS, INC.

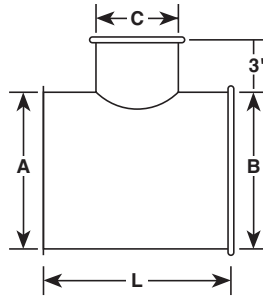
FABRICATION THAT PERFORMS

MINNEAPOLIS, MN 1-800-328-1966 • ROCKFORD, IL 1-866-504-4600

E-Z Flange Spiral Pipe System

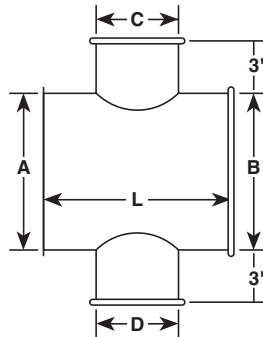
90° Tee

Dimensions to be listed as follows: A, B, C
 $L = "C" + 2"$



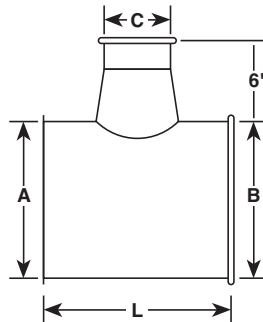
Cross

Dimensions to be listed as follows: A, B, C, D
 $L = \text{Largest of "C" or "D" + 2"}$



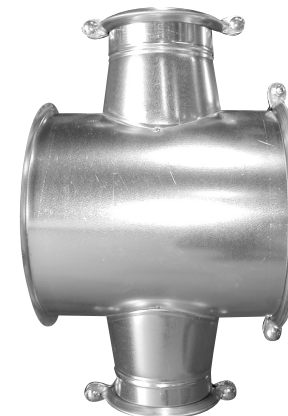
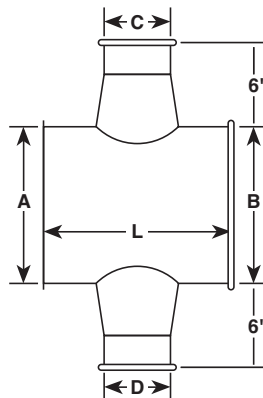
Conical Tee

Dimensions to be listed as follows: A, B, C
 $L = "C" + 7"$
 $C+1" = \text{Cone Diameter}$



Conical Cross

Dimensions to be listed as follows: A, B, C, D
 $L = \text{Largest of "C" or "D" + 7"}$
 $C+1" = \text{Cone Diameter}$



SHEET METAL CONNECTORS, INC.

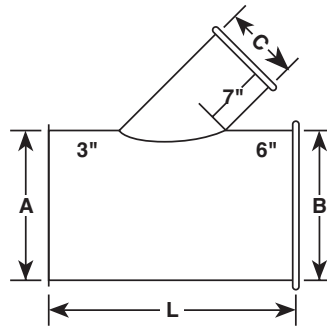
FABRICATION THAT PERFORMS

MINNEAPOLIS, MN 1-800-328-1966 • ROCKFORD, IL 1-866-504-4600

E-Z Flange Spiral Pipe System

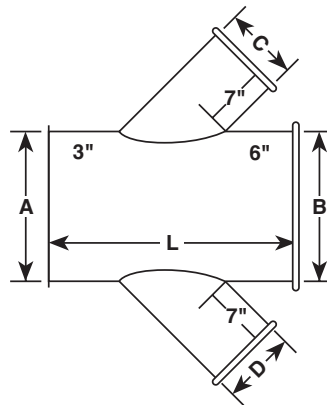
Lateral

Dimensions to be listed as follows: A, B, C
 $L = (1.414 \times C) + 9"$



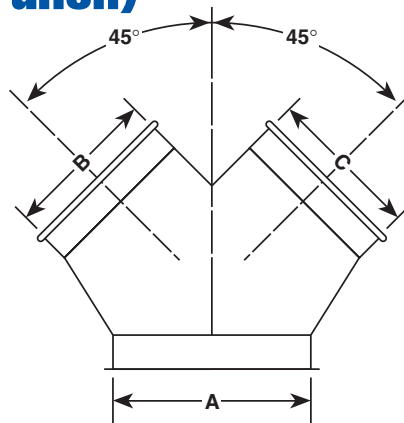
Lateral Cross

Dimensions to be listed as follows: A, B, C, D
 $L = 1.414 \times (\text{Larger of "C" or "D"}) + 9"$



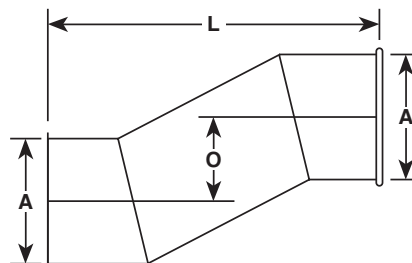
Pair of Pants (Wye Branch)

Dimensions to be listed as follows: A, B, C



Offset

Dimensions to be listed as follows: A, O, L



SHEET METAL CONNECTORS, INC.

FABRICATION THAT PERFORMS

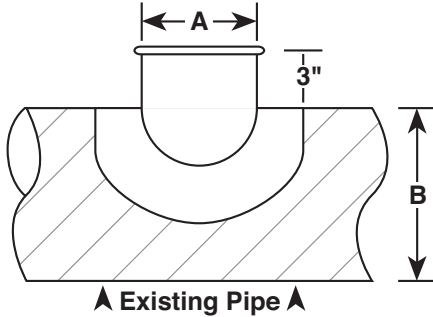
MINNEAPOLIS, MN 1-800-328-1966 • ROCKFORD, IL 1-866-504-4600

E-Z Flange Spiral Pipe System

All pressed fittings are made of 24 Ga. or 22 Ga. Galvanized material with a G60 coating thickness and is chemically treated to retard white rust.

90° Pressed Saddles No Damper

Dimensions to be listed as follows: A on B



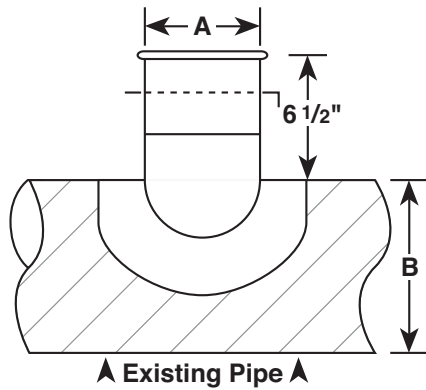
Pressed 90° Saddles

A on B
6" on 6"
6" on 8"
6" on 10"
6" on 12"
6" on 14"
8" on 8"
8" on 10"
8" on 12"
8" on 14"
8" on 16"
8" on 18"
10" on 10"
10" on 12"
10" on 14"
10" on 16"
10" on 18"
12" on 12"
12" on 14"
12" on 16"
12" on 18"

90° Pressed Saddles with Volume Damper

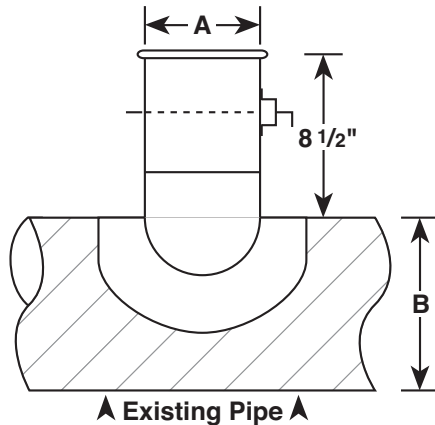
Dimensions to be listed as follows: A on B

Also available with 2" Extension



90° Pressed Saddles with 2" Stand Off

Dimensions to be listed as follows: A on B



All sizes listed are in stock. Other sizes are available.



SHEET METAL CONNECTORS, INC.

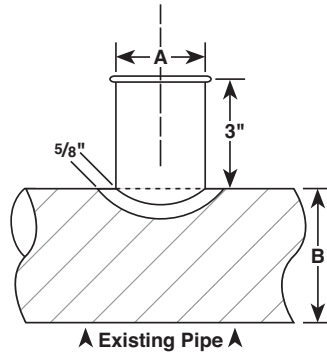
FABRICATION THAT PERFORMS

MINNEAPOLIS, MN 1-800-328-1966 • ROCKFORD, IL 1-866-504-4600

E-Z Flange Spiral Pipe System

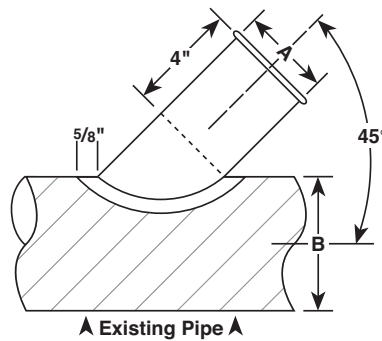
90° Swedge Saddle

Dimensions to be listed as follows: A on B



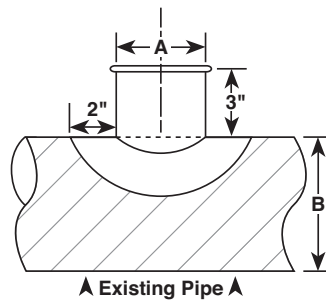
45° Swedge Saddle

Dimensions to be listed as follows: A on B



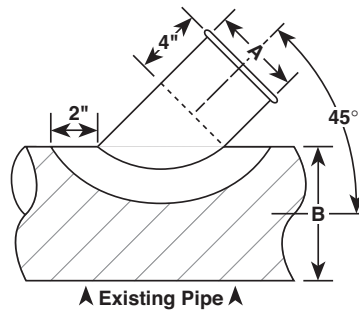
90° Full Saddle

Dimensions to be listed as follows: A on B



45° Full Saddle

Dimensions to be listed as follows: A on B



SHEET METAL CONNECTORS, INC.

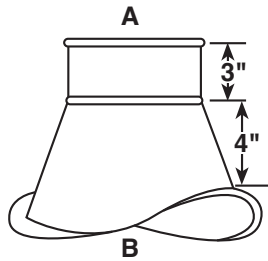
FABRICATION THAT PERFORMS

MINNEAPOLIS, MN 1-800-328-1966 • ROCKFORD, IL 1-866-504-4600

E-Z Flange Spiral Pipe System

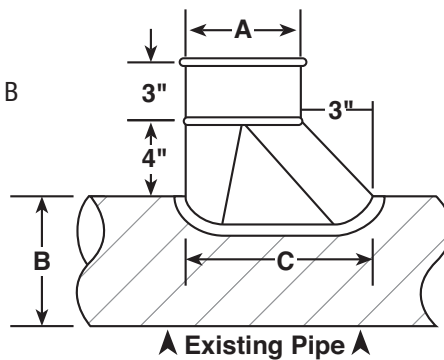
90° Conical Swedge Saddle

Dimensions to be listed as follows: A on B
 $B = A + 1"$



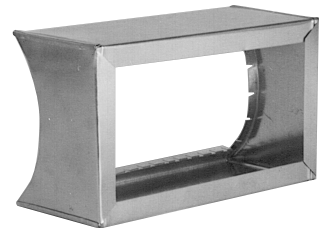
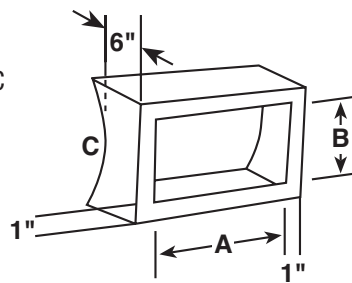
90° Shoe Tap

Dimensions to be listed as follows: A on B
 $C = A + 3"$



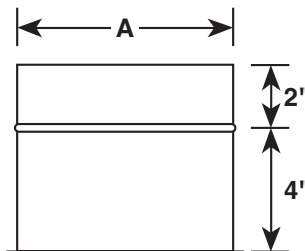
Register Takeoffs

Dimensions to be listed as follows: A, B on C
(Order Takeoffs by Register Size Only)



Flex Connector

Order as follows: A equals diameter



SHEET METAL CONNECTORS, INC.

FABRICATION THAT PERFORMS

MINNEAPOLIS, MN 1-800-328-1966 • ROCKFORD, IL 1-866-504-4600

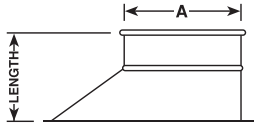
E-Z Flange Spiral Pipe System

High Efficiency Die Stamped Takeoff (Super Heto)

Patent # US D571,908 S

Super Heto

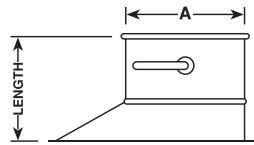
Order as follows: A equals diameter



A	Length
5"	10"
6"	5 3/4"
8"	6 1/4"
10"	6 1/4"
12"	6 1/4"

Super Heto w/ Damper

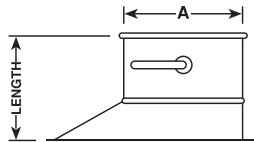
Order as follows: A equals diameter



A	Length
6"	5 3/4"
7"	10"
8"	6 1/4"
9"	10 3/4"
10"	6 1/4"
12"	6 1/4"

Super Heto w/2" Extension

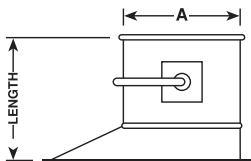
Order as follows: A equals diameter



A	Length
6"	5 3/4"
7"	10"
8"	6 1/4"
9"	10 3/4"
10"	6 1/4"
12"	6 1/4"

Super Heto w/2" Standoff

Order as follows: A equals diameter



A	Length
6"	8"
8"	8 1/2"
10"	8 1/2"
12"	8 1/2"



SHEET METAL CONNECTORS, INC.

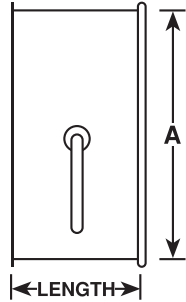
FABRICATION THAT PERFORMS

MINNEAPOLIS, MN 1-800-328-1966 • ROCKFORD, IL 1-866-504-4600

E-Z Flange Spiral Pipe System

E-Z Tap Collars with Volume Damper

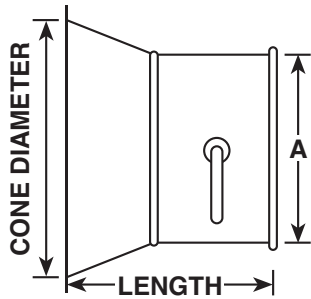
Order as follows: A equals diameter
 Also available with 2" Insulation Extension



A	Overall Length
6"	4 3/4"
7"	4 3/4"
8"	4 3/4"
9"	4 3/4"
10"	4 3/4"
12"	6 1/2"
14"	6 1/2"
16"	11 1/2"
18"	11 1/2"
20	11 1/2"

Conical E-Z Tap with Volume Damper

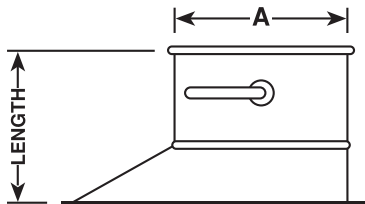
Order as follows: A equals diameter
 $A+2"$ = Cone Diameter
 Also available with 2" Insulation Extension



A	Overall Length
6"	6"
7"	6"
8"	6"
9"	6"
10"	6"
12"	6"
14"	6 1/2"
16"	8 1/4"
18"	8 1/4"
20	8 1/4"

Hi-Efficiency with Volume Damper

Order as follows: A equals diameter
 Also available with 2" Insulation Extension



A	Overall Length
14"	12"
16"	12 3/4"
18"	12 3/4"
20	12 3/4"



SHEET METAL CONNECTORS, INC.

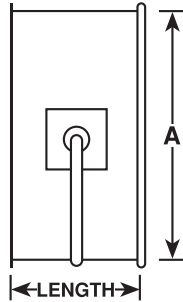
FABRICATION THAT PERFORMS

MINNEAPOLIS, MN 1-800-328-1966 • ROCKFORD, IL 1-866-504-4600

E-Z Flange Spiral Pipe System

E-Z Tap Collars with 2" Standoff

Order as follows: A equals diameter

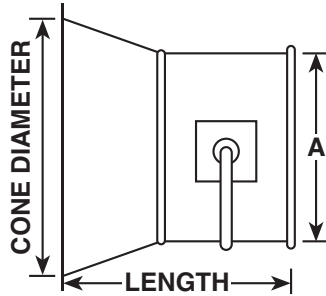


A	Overall Length
6"	5"
7"	5"
8"	5"
9"	5"
10"	5"
12"	6 1/2"
14"	6 1/2"
16"	11 1/2"
18"	11 1/2"
20"	11 1/2"
22"	14 1/2"
24"	14 1/2"

Conical E-Z Tap with 2" Standoff

Order as follows: A equals diameter

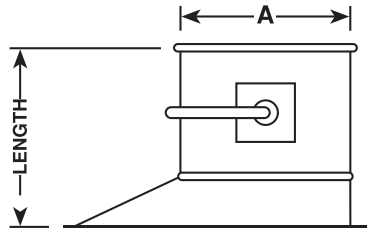
A+2" = Cone Diameter



A	Overall Length
6"	8 1/4"
7"	8 1/4"
8"	8 1/4"
9"	8 1/4"
10"	8 1/4"
12"	8 1/4"
14"	8 1/4"
16"	8 1/4"
18"	8 1/4"
20"	8 1/4"

Hi-Efficiency with 2" Standoff

Order as follows: A equals diameter



A	Overall Length
14"	14 1/4"
16"	14 1/4"
18"	15"
20"	15"



SHEET METAL CONNECTORS, INC.

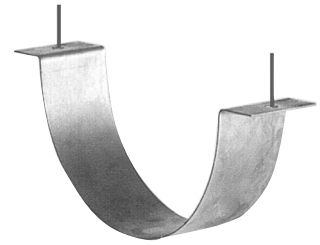
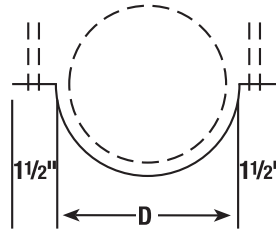
FABRICATION THAT PERFORMS

MINNEAPOLIS, MN 1-800-328-1966 • ROCKFORD, IL 1-866-504-4600

E-Z Flange Spiral Pipe System

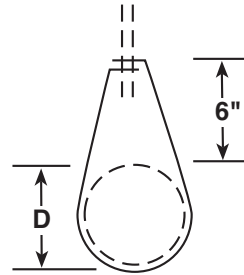
Double Rod Hanger

18" - 60" Diameters, fabricated from 2 $\frac{7}{8}$ " - 14 gauge galvanized
 $\frac{7}{16}$ " Standard Bolt Hole for $\frac{3}{8}$ " Rod
 $\frac{9}{16}$ " Bolt Hole available on request
 (Rod and hardware not included)



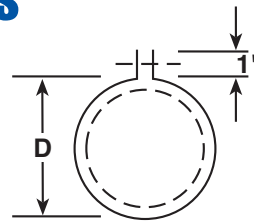
Single Rod Hangers

6" - 16" Diameters, fabricated from 2 $\frac{7}{8}$ " - 14 gauge galvanized
 $\frac{7}{16}$ " Standard Bolt Hole for $\frac{3}{8}$ " Rod
 $\frac{9}{16}$ " Bolt Hole available on request
 (Rod and hardware not included)



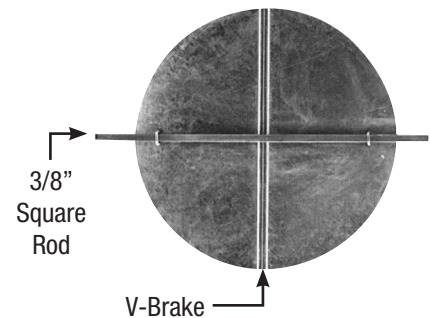
Light Gauge Round Pipe Hangers

6" - 36" Diameters, fabricated from 1" - 16 gauge galvanized
 $\frac{5}{16}$ " Standard Bolt Hole for $\frac{1}{4}$ " Bolt
 (Bolt not included)



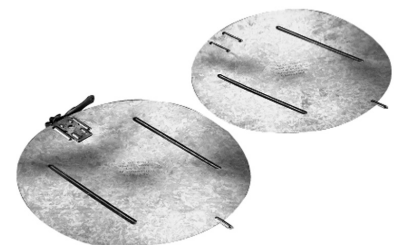
Heavy Volume Dampers

6" - 24" 22 gauge, $\frac{3}{8}$ " square rod and H.D. Quadrants with stiffener brake
 26" - 30" 20 gauge, $\frac{3}{8}$ " square rod and H.D. Quadrants with stiffener brake
 Standoff Quadrants and End Bearings also available



Light Gauge Dampers

6" - 20" Diameters fabricated from 24 gauge galvanized material
 $\frac{1}{4}$ " Rapit Bearing provided with Stiffening beads on 10" diameters and larger



SHEET METAL CONNECTORS, INC.

FABRICATION THAT PERFORMS

MINNEAPOLIS, MN 1-800-328-1966 • ROCKFORD, IL 1-866-504-4600