



Cove Light AC HO / HO Graze

The Cove Light AC HO offers a range of cold, neutral, or warm white with a 120x120 degree beam angle for general lighting, wall washing, and alcove illumination, while the Cove Light AC HO Graze offers higher brightness and further options in optics. Controlled by leading/trailing edge phase-cut dimmers, the Cove Light AC HO/HO Graze offers 100% to 5% dimming resolution without flickering, and boasts 60 - 69 lm/W.



Product Specifications

	HO-9	HO-18	HO-27
Light Source	9 LEDs	18 LEDs	27 LEDs
Color Temperature	2700K, 3000K, 3500K, 4000K		
CRI	82Ra (2700K), 82Ra (3000K), 82Ra (3500K), 82Ra (4000K)		
Beam Angle¹	HO: 120°x120° HO Graze: 50°x10°, 40°, 60°x30°		
Luminous Flux²	656 - 744 lm	1311 - 1487 lm	1985 - 2275 lm
Efficacy²	60 - 69 lm/W		
Lumen Maintenance	L70 @25°C - 80,000hrs		
Cover Lens	HO: Diffused PC HO Graze: Clear PC		
Housing	Aluminium		
Adjustment Options	±90° tilt (10° steps)		
Dimensions (L x W x H)	HO: 305 x 39 x 46mm 12" x 1.5" x 1.81" HO Graze: 304 x 38 x 56mm 12" x 1.5" x 2.2"	HO: 610 x 39 x 46mm 24" x 1.5" x 1.81" HO Graze: 609 x 38 x 56mm 24" x 1.5" x 2.2"	HO: 914 x 39 x 46mm 36" x 1.5" x 1.81" HO Graze: 913 x 38 x 56mm 36" x 1.5" x 2.2"
Weight	HO: 0.4kg/0.88lbs HO Graze: 0.51kg/1.1lbs	HO: 0.73kg/1.61lbs HO Graze: 0.93kg/2lbs	HO: 1.05kg /2.31lbs HO Graze: 1.33kg/2.9lbs
Regulatory Listing & Safety Approval	Electrical Protection Class II, CE		
Operating Temperature	-20°C to +45°C / -4°F to +113°F		
Storage Temperature	-40°C to +70°C / -40°F to +158°F		
Environment	Indoor; HO - IP20, HO Graze - IP40		
Humidity	0-90%, non-condensing		
Electrical Specifications			
Input Voltage	230V AC nominal		
Power Consumption	11W max.	22W max.	33W max.
Power Factor	≥ 0.9		
System Specifications			
Power	AC line, daisy chain		
Control³	Phase-cut dimmable, compatible with and controlled by leading/trailing edge phase-cut dimmers		
Power Supply	Built-in		
Fixture Interconnection⁴	100ft @230VAC		

1. 60°x30° is made to order.
2. Range is respective to color temperature from 2700K - 4000K, see Photometrics pages for details.
3. Refer to Cove Light AC HO Compatible Dimmer List for specific details.
4. Interconnect without dimmer.

LED CHARACTERISTICS Because LEDs are semiconductor devices, their performances are subject to inherent variability commonly found in semiconductor industry. To improve consistency in performance across the same product, LED manufacturers "sort" LEDs into bins according to different preset parameters, such as forward driving voltage, illumination, etc. Whereas binning is a sorting function, it is not a correction process. Inherent variability in the manufacturing process results always in different binning distributions according to different production lots. Traxon uses automatically binned LEDs on its products, thereby minimizing output variations within the model range.

As with all electronic devices, LED output degrades over time – a term called lumen depreciation. This also explains why it is nearly impossible to expect photometric performances of two LED products with different service life spans to be the same. The rate of LED degrade is a complicate function of many factors such as operating efficiency, duration of continuous operation, and more significantly, environmental conditions (ambient temperature for example). If allowed working under optimal operating temperature range and with good ventilation, LED devices enjoy long service lives over conventional light sources. When using/installing LED devices, care should be taken to ensure that the devices will operate within the operating conditions specified in respective product literature.

Lumen measurement complies with LM-79-08 standard.
 Lumen maintenance is calculated based on LM-80 compliant measurement.

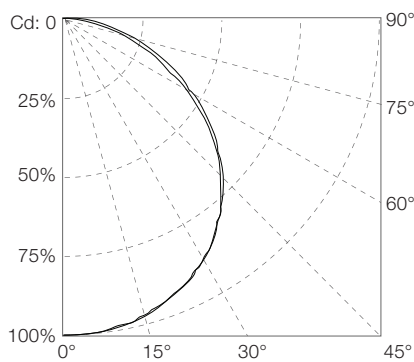
www.traxontechnologies.com

©2015 TRAXON TECHNOLOGIES - AN OSRAM BUSINESS. ALL RIGHTS RESERVED. TRAXON™, TX CONNECT®, ARE TRADEMARKS OF TRAXON TECHNOLOGIES. U.S. PATENTS, E.U. PATENTS, JAPAN PATENTS, OTHER PATENTS PENDING. SPECIFICATIONS ARE SUBJECT TO CHANGE WITHOUT NOTICE.

Source Specifications

Source	9 / 18 / 27 High intensity power LEDs
Optics	120° x 120°
Cover Lens	Diffused PC
CCT	2700 K, 3000 K, 3500 K, 4000 K
CRI	82Ra (2700 K), 82Ra (3000 K), 82Ra (3500 K), 82Ra (4000 K)

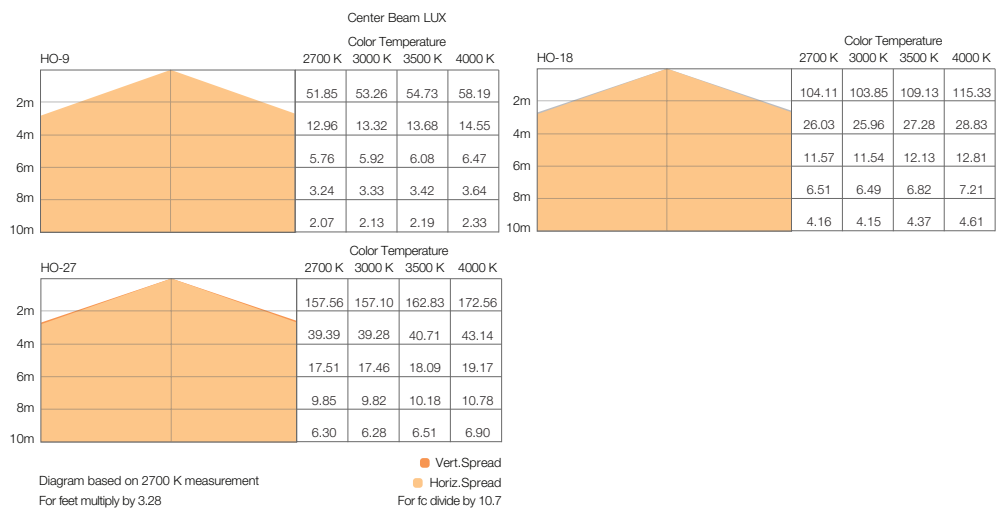
Candela Distribution



Light Output

Color Temperature	Luminous Flux (lm)	Candela Distribution @100%	Efficacy (lm/W)
HO-9			
2700 K	656.0	207.52	60
3000 K	693.8	209.53	63
3500 K	680.8	218.99	62
4000 K	743.8	232.85	68
HO-18			
2700 K	1311.4	416.60	60
3000 K	1387.5	419.06	63
3500 K	1361.8	436.55	62
4000 K	1487.2	461.68	68
HO-27			
2700 K	1984.5	631.25	60
3000 K	2081.4	628.59	63
3500 K	2068.3	652.24	63
4000 K	2275.3	691.49	69

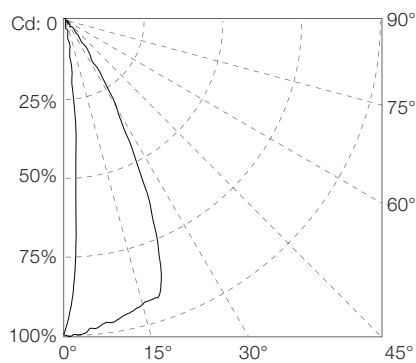
Illuminance at a Distance



Source Specifications

Source	9 / 18 / 27 High intensity power LEDs
Optics	50° x 10°
Cover Lens	Clear PC
CCT	2700 K, 3000 K, 3500 K, 4000 K
CRI	82Ra (2700 K), 82Ra (3000 K), 82Ra (3500 K), 82Ra (4000 K)

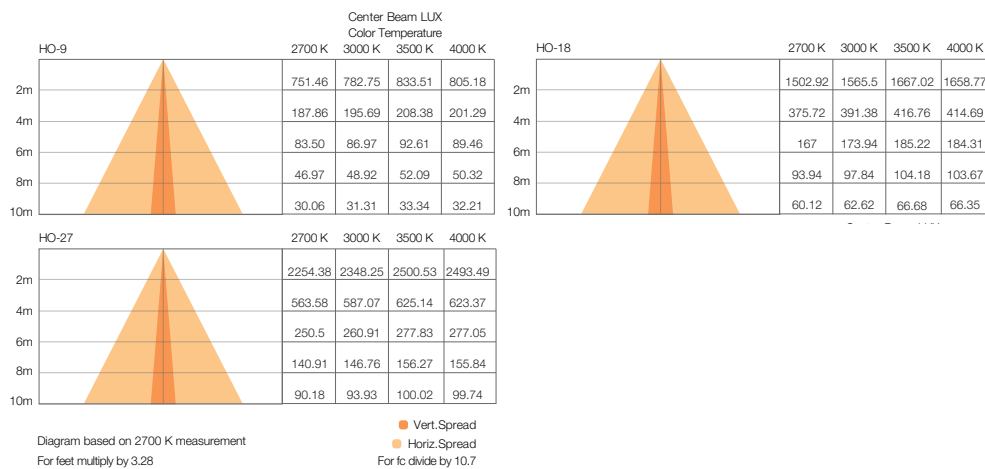
Candela Distribution



Light Output

Color Temperature	Luminous Flux (lm)	Candela Distribution @100%	Efficacy (lm/W)
HO-9			
2700 K	661.9	3005.8	60
3000 K	675.4	3182.4	61
3500 K	743.3	3334.0	68
4000 K	762.3	1265.3	69
HO-18			
2700 K	1323.8	6011.7	60
3000 K	1350.9	6364.8	61
3500 K	1486.6	6668.1	68
4000 K	1524.5	2530.7	69
HO-27			
2700 K	1985.7	9017.5	60
3000 K	2026.3	9547.3	61
3500 K	2229.9	10002.1	68
4000 K	2286.8	3796.0	69

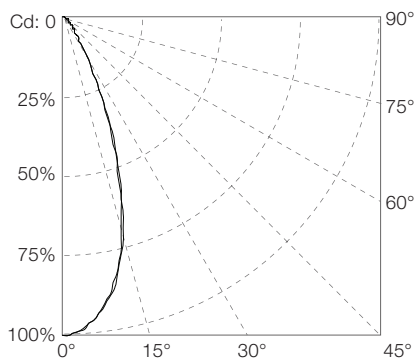
Illuminance at a Distance



Source Specifications

Source	9 / 18 / 27 High intensity power LEDs
Optics	40°
Cover Lens	Clear PC
CCT	2700 K, 3000 K, 3500 K, 4000 K
CRI	82Ra (2700 K), 82Ra (3000 K), 82Ra (3500 K), 82Ra (4000 K)

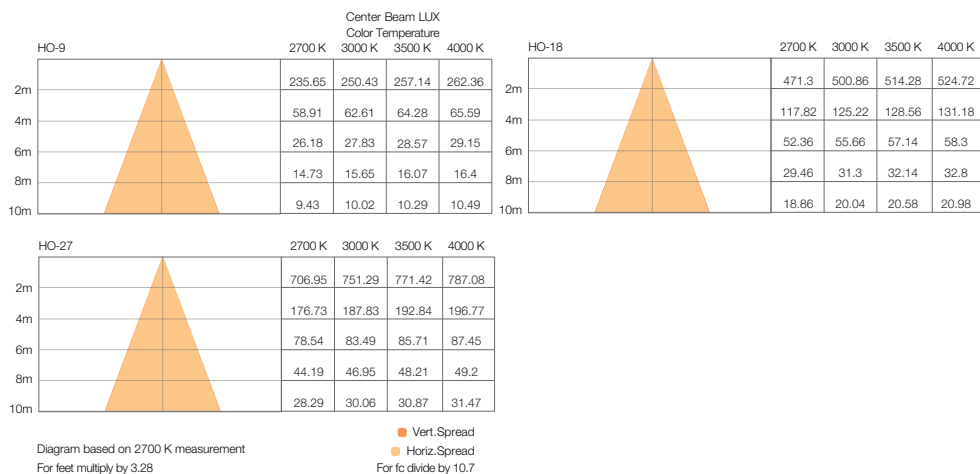
Candela Distribution



Light Output

Color Temperature	Luminous Flux (lm)	Candela Distribution @100%	Efficacy (lm/W)
HO-9			
2700 K	602.3	942.58	55
3000 K	615.2	1001.7	56
3500 K	644.8	1028.6	59
4000 K	676.1	1050	61
HO-18			
2700 K	1204.6	1885.2	55
3000 K	1230.4	2003.5	56
3500 K	1289.6	2057.1	59
4000 K	1352.1	2100	61
HO-27			
2700 K	1806.9	2827.7	55
3000 K	1845.6	3005.2	56
3500 K	1934.3	3085.7	59
4000 K	2028.2	3150	61

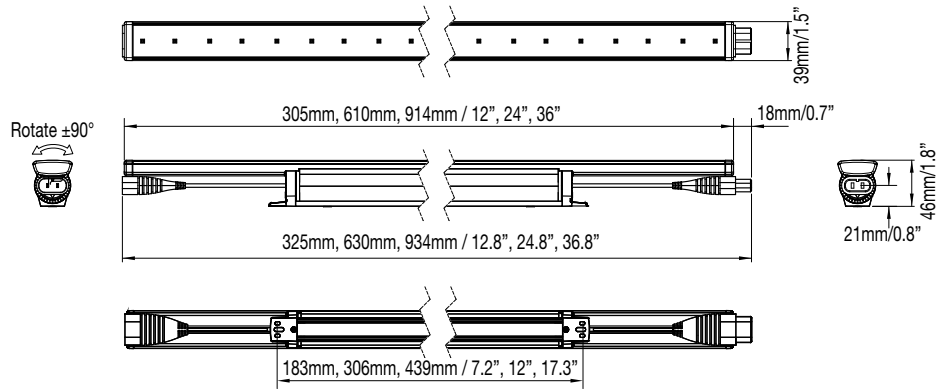
Illuminance at a Distance



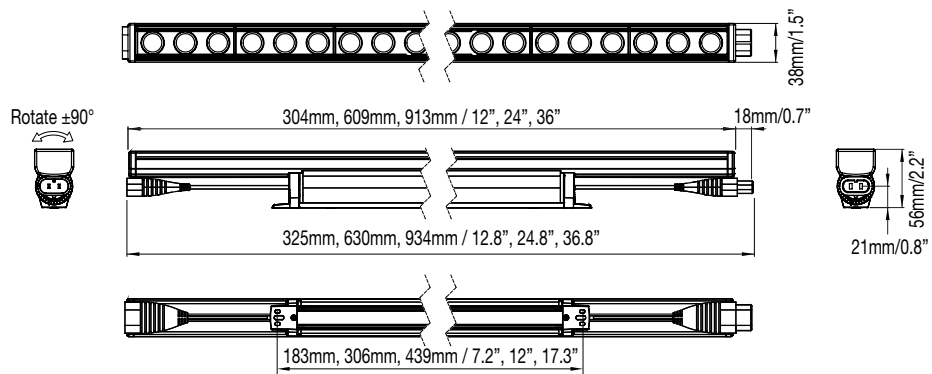
Cove Light AC HO / HO Graze

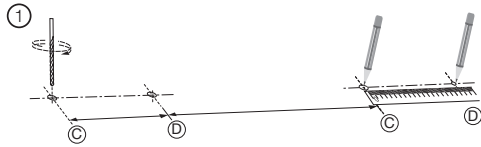
Dimensions

Cove Light AC HO



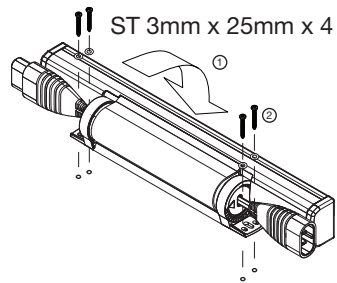
Cove Light AC HO Graze



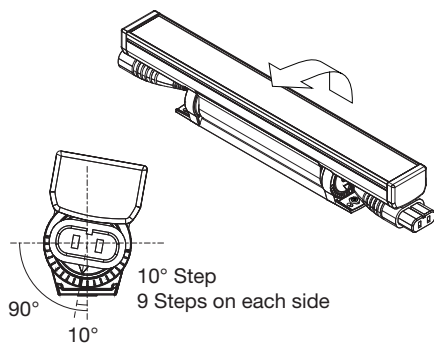


	C → D	D → C		
		HO-9	HO-18	HO-27
HO-9	183mm/7.2"	125mm/4.9"	216mm/8.5"	302mm/11.9"
HO-18	306mm/12"	216mm/8.5"	307mm/12"	393mm/15.5"
HO-27	439mm/17.3"	302mm/11.9"	393mm/15.5"	479mm/18.9"

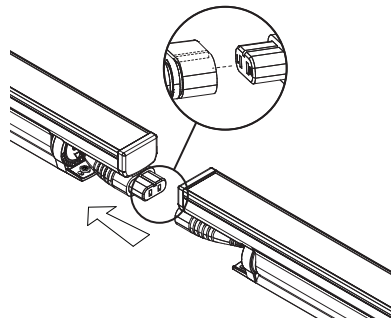
②



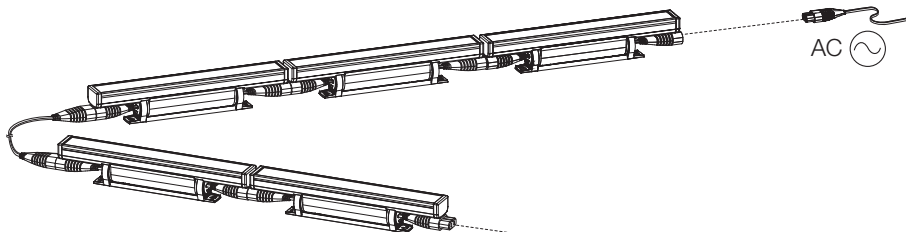
③

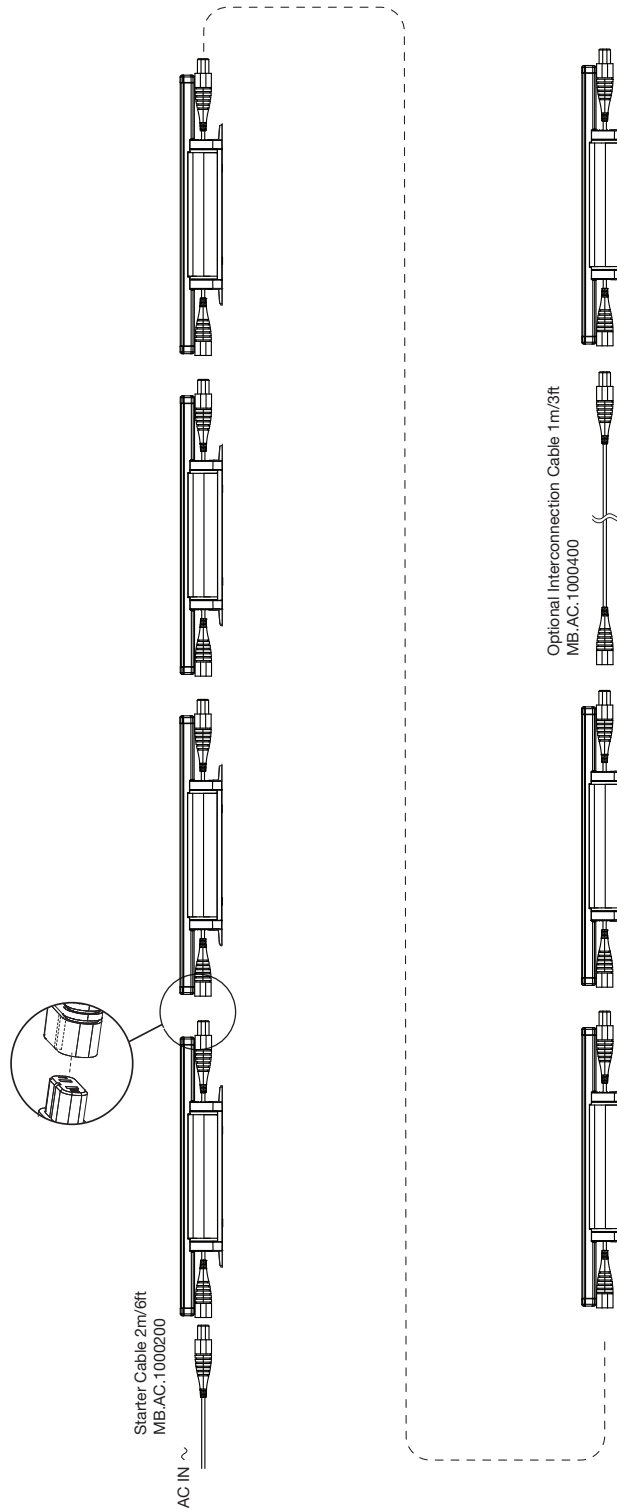


④



⑤







Cove Light AC HO / HO Graze

Ordering

Fixtures 230V

Model No.	Description	Item Code
MB.CO.0922705	Cove Light AC HO-9 2700K 120X120deg (CE)	AA547840255
MB.CO.0922755	Cove Light AC HO-9 2700K 40deg (CE)	AA621220255
MB.CO.0922765	Cove Light AC HO-9 2700K 50X10deg (CE)	AA621300255
MB.CO.0923005	Cove Light AC HO-9 3000K 120X120deg (CE)	AA547580255
MB.CO.0923055	Cove Light AC HO-9 3000K 40deg (CE)	AA621230255
MB.CO.0923065	Cove Light AC HO-9 3000K 50X10deg (CE)	AA621310255
MB.CO.0923505	Cove Light AC HO-9 3500K 120X120deg (CE)	AA547850255
MB.CO.0923555	Cove Light AC HO-9 3500K 40deg (CE)	AA621240255
MB.CO.0923565	Cove Light AC HO-9 3500K 50X10deg (CE)	AA621320255
MB.CO.0924005	Cove Light AC HO-9 4000K 120X120deg (CE)	AA547590255
MB.CO.0924055	Cove Light AC HO-9 4000K 40deg (CE)	AA621250255
MB.CO.0924065	Cove Light AC HO-9 4000K 50X10deg (CE)	AA621330255
MB.CO.1822705	Cove Light AC HO-18 2700K 120X120deg (CE)	AA547860255
MB.CO.1822755	Cove Light AC HO-18 2700K 40deg (CE)	AA621450255
MB.CO.1822765	Cove Light AC HO-18 2700K 50X10deg (CE)	AA621530255
MB.CO.1823005	Cove Light AC HO-18 3000K 120X120deg (CE)	AA547600255
MB.CO.1823055	Cove Light AC HO-18 3000K 40deg (CE)	AA621460255
MB.CO.1823065	Cove Light AC HO-18 3000K 50X10deg (CE)	AA621540255
MB.CO.1823505	Cove Light AC HO-18 3500K 120X120deg (CE)	AA547870255
MB.CO.1823555	Cove Light AC HO-18 3500K 40deg (CE)	AA621470255
MB.CO.1823565	Cove Light AC HO-18 3500K 50X10deg (CE)	AA621550255
MB.CO.1824005	Cove Light AC HO-18 4000K 120X120deg (CE)	AA547610255
MB.CO.1824055	Cove Light AC HO-18 4000K 40deg (CE)	AA621480255
MB.CO.1824065	Cove Light AC HO-18 4000K 50X10deg (CE)	AA621560255
MB.CO.2722705	Cove Light AC HO-27 2700K 120X120deg (CE)	AA547880255
MB.CO.2722755	Cove Light AC HO-27 2700K 40deg (CE)	AA621610255
MB.CO.2722765	Cove Light AC HO-27 2700K 50X10deg (CE)	AA621690255
MB.CO.2723005	Cove Light AC HO-27 3000K 120X120deg (CE)	AA547620255
MB.CO.2723055	Cove Light AC HO-27 3000K 40deg (CE)	AA621620255
MB.CO.2723065	Cove Light AC HO-27 3000K 50X10deg (CE)	AA621700255
MB.CO.2723505	Cove Light AC HO-27 3500K 120X120deg (CE)	AA547890255
MB.CO.2723555	Cove Light AC HO-27 3500K 40deg (CE)	AA621630255
MB.CO.2723565	Cove Light AC HO-27 3500K 50X10deg (CE)	AA621710255
MB.CO.2724005	Cove Light AC HO-27 4000K 120X120deg (CE)	AA547630255
MB.CO.2724055	Cove Light AC HO-27 4000K 40deg (CE)	AA621640255
MB.CO.2724065	Cove Light AC HO-27 4000K 50X10deg (CE)	AA621720255

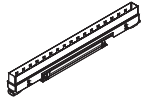
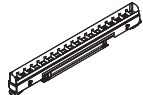
Accessories

Model No.	Description	Item Code
MB.AC.1000200	Cove Light AC HO Starter Cable(CE), 2m/6ft	AA553840055
MB.AC.1000400	Cove Light AC HO Interconnection Cable (CE) 1m/3ft	AA553850055

www.traxontechnologies.com

©2015 TRAXON TECHNOLOGIES - AN OSRAM BUSINESS. ALL RIGHTS RESERVED. TRAXON™, TX CONNECT®, ARE TRADEMARKS OF TRAXON TECHNOLOGIES. U.S. PATENTS, E.U. PATENTS, JAPAN PATENTS, OTHER PATENTS PENDING. SPECIFICATIONS ARE SUBJECT TO CHANGE WITHOUT NOTICE.

Accessories - Light Directing

	Description	Item Code
	Cove Light AC HO-9 Universal Symmetrical Louver 12"	AA783530054
	Cove Light AC HO-18 Universal Symmetrical Louver 24"	AA783540054
	Cove Light AC HO-27 Universal Symmetrical Louver 36"	AA783550054
	Cove Light AC HO-9 Universal Asymmetrical Louver 12"	AA783560054
	Cove Light AC HO-18 Universal Asymmetrical Louver 24"	AA783570054
	Cove Light AC HO-27 Universal Asymmetrical Louver 36"	AA783580054

Accessories - Mounting

Cove Light AC HO / HO Graze

