

Crawler Excavator

R 934 C
Litronic®

Operating Weight: 70,110 - 77,600 lb
Engine Output: 203 hp / 150 kW
Bucket Capacity: 0,92 - 2,94 yd³



LIEBHERR

R 934 C

Litronic

Operating Weight: 70,110 - 77,600 lb
Engine Output: 203 hp / 150 kW
Bucket Capacity: 0,92 - 2,94 yd³



Performance

Liebherr crawler excavators feature state-of-the-art technology and high-quality workmanship. The most important components of the drive system are all produced by Liebherr and are perfectly coordinated with one another. The engine generation, as further developed for the "C-series", assures an effective power delivery, a high degree of efficiency, long life expectancy and complies with the emission standard IIIa / Tier 3.

Reliability

High demand for performance and quality is consequently converted into landmark solutions to achieve the highest level of dependability and reliability. Liebherr has over 50 years experience in the production of hydraulic excavators and has an unparalleled competence in design and know-how.

Comfort

In the operator's station, the operator can look forward to a comfortable workstation that is designed according to the most up-to-date ergonomically know-how. The standard automatic climate control provides a pleasant working environment in all weather conditions.

Liebherr crawler excavators are particularly service-friendly: Maintenance work is simply and quickly accomplished due to well accessible service points.

Economy

Liebherr crawler excavators stand for maximum productivity. The sensitive excavator controls assure optimal efficiency in the interaction of excavator hydraulics and electronics. A wide selection of attachments, accessory tools and undercarriages with various dimensions provide the correct choice for every application.





Liebherr Diesel Engine

- Specifically designed for construction equipment
- Maximum output at low engine speed
- Long life expectancy
- Incline lubrication capability for an up to 100% grade
- LIDEC-Engine Control – Liebherr Diesel Engine Control
- State-of-the-art technology with common rail injection system
- Electronically regulation of injection-amount and-timing
- Complies with emission standard IIIa / Tier 3



Performance

Liebherr crawler excavators feature state-of-the-art technology and high-quality workmanship. The most important components of the drive system are all produced by Liebherr factories and are perfectly coordinated to each other. The engine generation, as further developed for the “C-series”, assures an effective power delivery, a high degree of efficiency, long life expectancy and complies with the emission standard IIIa / Tier 3.

High Productivity

High digging and break-out forces

The R 934 C features high digging and break-out forces due to optimal attachment geometry. The remarkable forces are especially accomplished with the utilization of large-size stick and bucket cylinders.

Regeneration Plus

The feature “Regeneration Plus” guarantees quicker attachment lowering, less pressure loss and more safety. A high productivity is achieved due to the optimizing and consolidating of the functions “pressure-less lowering”, “regeneration” and “load holding valves” in connection with a high hydraulic output.

Liebherr Engine Technology

Liebherr Diesel Power

The 4-cylinder in-line engine, developed for the R 934 C with the new common rail injection assures an effective power output, a high efficiency and a long life expectancy.

Already at a low speed range the engine develops a high output and contributes substantially to the economical operation of the entire machine.

Emission reduces combustion

The new engine generation with optimal performance density assures for a more environmentally-friendly fuel combustion. Higher ignition pressures and the newly designed injection technology guarantee the compliance with the emission standard IIIa / Tier 3.



Multi-function tool carrier

- For every material and application the correct digging tool
- Change-over of mechanical and hydraulic tool in a matter of seconds due to a modular quick coupler system designed and manufactured by Liebherr:
- Likufix for the change-over of all hydraulic and mechanical tools from the dash board in the operator station
- Liebherr quick coupler adapter for the change-over of mechanical tools



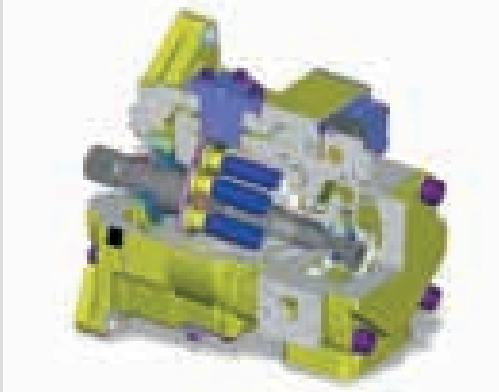
Heavy-duty undercarriage

- An extensive undercarriage selection for every application: mechanically or hydraulically adjustable, various track-gages and -lengths
- Combination of high-strength steel plates with steel castings for a smooth stress flow



Liebherr hydraulic cylinders

- Cylinder sizes matched to each model
- High-quality coating of piston rod
- Special gasket packages for piston rod and piston
- Sealed special bushings for pin mountings
- End-cushion



Reliability

The high demand for performance and quality is consequently converted into landmark solutions to achieve the highest level of dependability and availability. Liebherr has 50 years experience in the production of hydraulic excavators and has an unparalleled competence in design and know-how.

Technology with a vision

Optimized hydraulics

External bypass lines at the control valve apply the oil flow to the appropriate attachment functions. The optimal hose routing from the control valve to the attachment substantially increases the dependability of the hydraulic system.

Power pack

The individual components of the drive unit (i.e. construction equipment engine, travel and swing gearboxes, main pumps and hydraulic cylinders), produced by sister companies of Liebherr are coordinated to fit each other perfectly. They guarantee maximum dependability as an integral part of the total system which is designed for long life expectancy.

Quality to the last detail

The clearly laid out routing of the hydraulic, lubrication and electrical lines assures the highest reliability and performance of the machine. Optimal corrosion protection is achieved with pre-painted and surface-treated parts.

Heavy-duty attachments with long-term advantage

Robust attachment concept

With the utilization of steel castings at every pivot point, the attachment is consistently able to withstand the most severe demands.

Optimized stress flow

The swing ring tower is made from one piece, which transfers the forces – following the principal of “stress flow design” - into the undercarriage. For lasting protection against dirt and damage, Liebherr swing rings are sealed and have internal teeth.

Key components made by Liebherr

- All components are perfectly suited for the construction equipment application
- Engines, hydraulic pumps and motors, swing and travel gearboxes as well as electronic elements from in-house production
- Manufacturing centers for components in Germany and Switzerland produce according to the latest production methods



Optional modular particle filter

- Particle filter to reduce nanoparticle emissions
- Consisting of: Intake module, filter module, exit module and muffler module
- VERT-certificate



Hydraulic reservoir stop valve

- Easy and quick interruption of the oil circuit between hydraulic reservoir and hydraulic system
- No drainage of fluid necessary for service or repair work on the hydraulic system



Comfort

In the operator station, the operator can look forward to a comfortably appointed workstation that is designed according to the most up-to-date ergonomically know-how. The standard automatic climate control provides a pleasant working environment at any weather condition.

Liebherr crawler excavators are particularly service-friendly: maintenance work is simply and quickly accomplished due to well accessible service points.

Standard maintenance advantage

Easy accessibility

All service points are easily accessible and the R 934 C features a central lubrication point as a standard feature. Daily preventive maintenance can be completed in a short period of time.

Maintenance friendly track components

Top rollers, track rollers and track link pins are lubricated for the life of the excavator. The grease cylinder of the idler tensioner is sealed against dirt.

Work place with feel-well character

Optimal visibility

The operator station's generously-sized windows provide outstanding visibility of the work and surrounding area.

Well thought-out arrangement

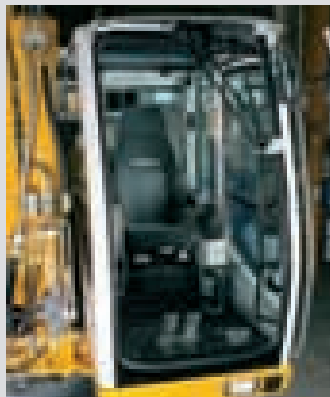
Design and arrangement of the seat, controls and displays are perfectly tuned to each other in an ergonomically-integrated concept. The operator's seat has shock-absorbing suspension and is adjustable to the individual preference of each operator.

Easy operation

The control consoles and information display are arranged within clear view of the operator and are easy to reach. New joysticks, with reduced operating force, are ergonomically shaped and allow pleasant and fatigue-free work.

Easy access

- Comfortably positioned ascents on both sides provide good accessibility to all service points
- Ergonomically positioned hand rails ensure secure ascent and descent
- Additional hand rails guarantee maximum safety



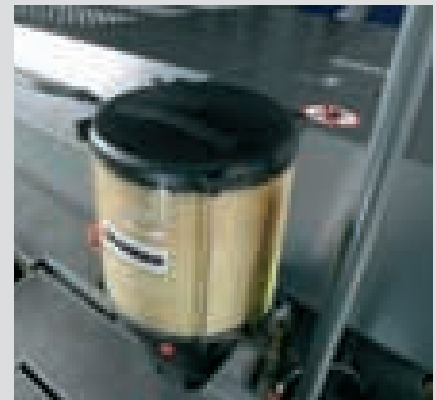
Liebherr Operator's station

- Generously-sized windows allow for optimal visibility
- Right-side window without vertical center post
- Standard automatic climate control
- Operator's seat is individually adjustable and includes a shock-absorbing cushion
- Lockable storage behind seat



Hydrostatic fan drive

- The cooling system consists of two hydrostatically driven fans
- Thermostatically regulated fan speed via engine oil and coolant temperature
- Accelerated warm-up period
- Assurance of steady fluid quality due to constant temperature
- Increased longevity of drive components
- Fan only takes-off the needed power, reducing fuel consumption



Economy

Liebherr crawler excavators stand for a maximum of productivity. The sensitive excavator controls assure an optimal efficiency in the interaction of excavator hydraulics and –electronics. A wide selection of attachments, accessory tools and varied dimensioned undercarriages provide the correct choice for each application.

Top technology for maximum profitability

Electronic engine speed sensing control

This regulating system causes an efficient conversion of the engine output in hydraulic performance – which results in better utilization of the available engine power. The result: higher digging forces, shorter cycle times and lower fuel consumption.

Liebherr Tool-Management-System

A unique range of digging tools and quick coupler modules guarantee an economical advantage for jobs with frequent tool changes. Based on years and years of field experience, all components of the Liebherr Tool-Management System originate from its own research and production.

Outstanding parts availability

Quick spare parts supply

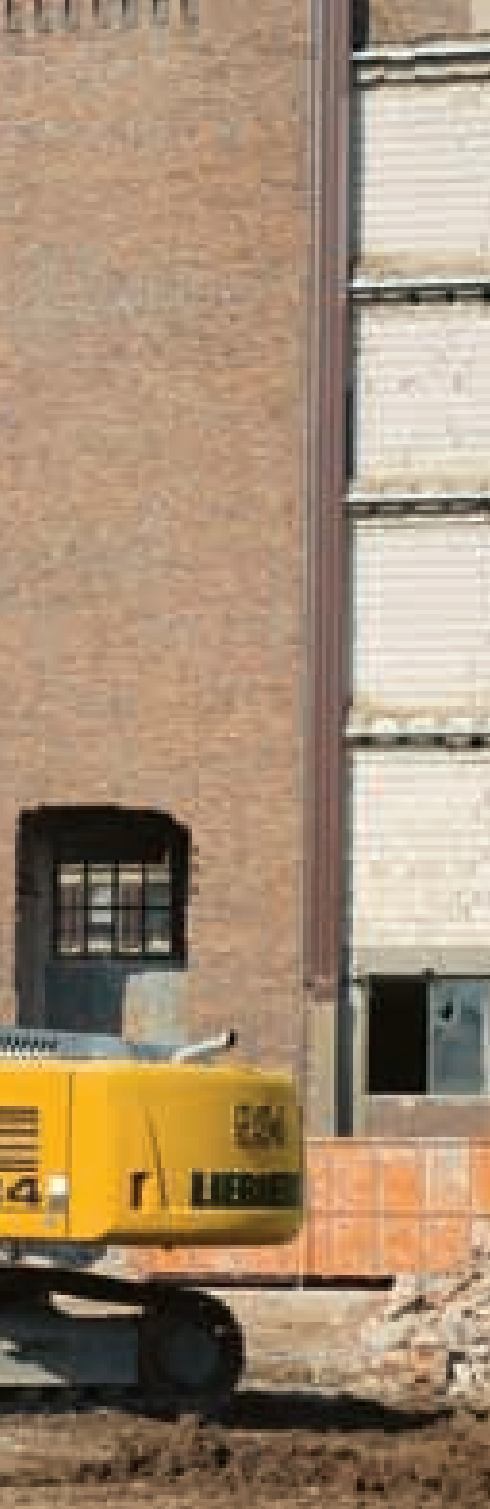
80,000 line items are always in stock for the global part requirements. Emergency part orders are shippable within 24 hours.

Professional help on-call

Liebherr's customer service is accessible on a 24/7 basis. Qualified professionals are available around the clock to respond to all questions from part supplies to repair advise.

Extensive service packages

Custom-tailored service packages guarantee service with individually-focused technical and logistical attention. Liebherr provides solutions with components from remanufactured repair or rebuild programs for every requirement – manufactured to maintain genuine quality.



Standard semiautomatic central lubrication system

- The standard semiautomatic central lubrication system facilitates a quick maintenance: It eliminates time-consuming lubrication and stoppage of the machine
- Lubricating the machine takes place safely and comfortably by pushing a button inside the cab



Liebherr Tool-Control

- Immediately after change of the hydraulic tool, the programmed pressure settings and oil flow volumes are available
- Stores up to 10 accessory tool settings (pressure and oil flow)
- Displays the type of accessory tool

Technical Data



Engine

Rating per ISO 9249	203 hp (150 kW) at 1,800 rpm
Model	Liebherr D 934 L
Type	4 cylinder in-line
Bore/Stroke	4.8/5.9 in
Displacement	427.8 in ³
Engine operation	4-stroke diesel direct injection turbo-charged after-cooled reduced emissions
Cooling	water-cooled and integrated motor oil cooler
Air cleaner	dry-type air cleaner with pre-cleaner, primary and safety elements
Fuel tank	153.2 gal
Standard	sensor controlled engine idling
Electrical system	
Voltage	24 V
Batteries	2 x 170 Ah/12 V
Starter	three phase current 24 V/6.6 kW
Alternator	28 V/80 A



Hydraulic System

Hydraulic pump for attachment and travel drive	Liebherr variable flow, swash plate double pump
Max. flow	2 x 65 gpm
Max. pressure	5,076 psi
Pump regulation	electro-hydraulic with electronic engine speed sensing regulation, pressure compensation, flow compensation, automatic oil flow optimizer
Hydraulic pump for swing drive	reversible, variable flow, swash plate pump, closed-loop circuit
Max. flow	39 gpm
Max. pressure	5,076 psi
Hydraulic tank	90 gal
Hydraulic system	145 gal
Hydraulic oil filter	1 full flow filter in return line with integrated fine filter area (5 µm)
Hydraulic oil cooler	compact cooler, consisting of a water cooler, sandwiched with hydraulic oil cooler and fuel and after-cooler cores and hydrostatically driven fan
MODE selection	adjustment of machine performance and the hydraulics via a mode selector to match application
ECO	for economical and environmentally friendly operation
POWER	for maximum digging power and heavy duty jobs
LIFT	for lifting
FINE	for precision work and lifting through very sensitive movements
RPM adjustment	stepless adjustment of engine output via rpm at each selected mode
Liebherr Tool Control	ten preadjustable pump flows and pressures for add on tools (option)



Hydraulic Controls

Power distribution	via monoblock control valve with integrated safety valves
Flow summation	to boom and stick
Closed-loop circuit	for uppercarriage swing drive
Servo circuit	
Attachment and swing	proportional via joystick levers
Travel	proportional via foot pedals or removable hand levers
	– speed pre-selection
Additional functions	via foot pedals or joystick toggle switch



Swing Drive

Drive by	Liebherr swash plate motor with integrated brake valves
Transmission	Liebherr compact planetary reduction gear
Swing ring	Liebherr, sealed single race ball bearing swing ring, internal teeth. Lubrication via a grease distributor and a grease nipple
Swing speed	0 – 8.2 rpm stepless
Swing torque	61,955 lbf ft
Holding brake	wet multi-disc (spring applied, pressure released)
Option	pedal controlled positioning brake



Operator's Cab

Cab	built from deep drawn components, resiliently mounted, sound insulated, tinted windows, front window stores overhead, door with sliding window
Operator's seat	shock absorbing suspension, adjustable to operator's weight, 6-way adjustable seat
Joysticks	integrated into adjustable seat consoles
Monitoring	menu driven query of current operating conditions via the LCD display. Automatic monitoring, display, warning (acoustical and optical signal) and saving machine malfunction data, for example, engine overheating, low engine oil pressure or low hydraulic oil level
Heating system	standard air conditioning, combined cooler/heater, additional dust filter in fresh air/recirculated
Noise emission	
ISO 6396	L _{DA} (inside cab) = 72 dB(A)
2000/14/EC	L _{WA} (surround noise) = 103 dB(A)



Undercarriage

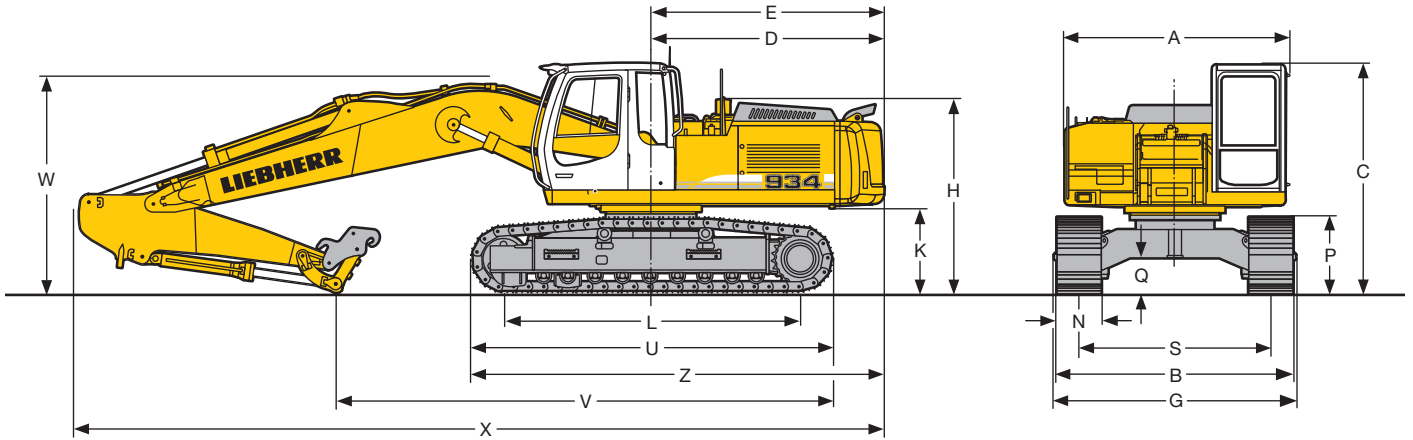
Versions	
NLC	heavy duty, narrow gauge
LC	heavy duty, wide gauge
Drive	Liebherr swash plate motors with integrated brake valves on both sides
Transmission	Liebherr planetary reduction gears
Travel speed	low range – 1.8 mph high range – 3.2 mph
Drawbar pull max.	54,630 lbf
Track components	D 7, maintenance-free
Track rollers/Carrier rollers	9/2
Tracks	sealed and greased
Track pads	triple grouser
Digging locks	wet multi-discs (spring applied, pressure released)
Brake valves	integrated into travel motor



Attachment

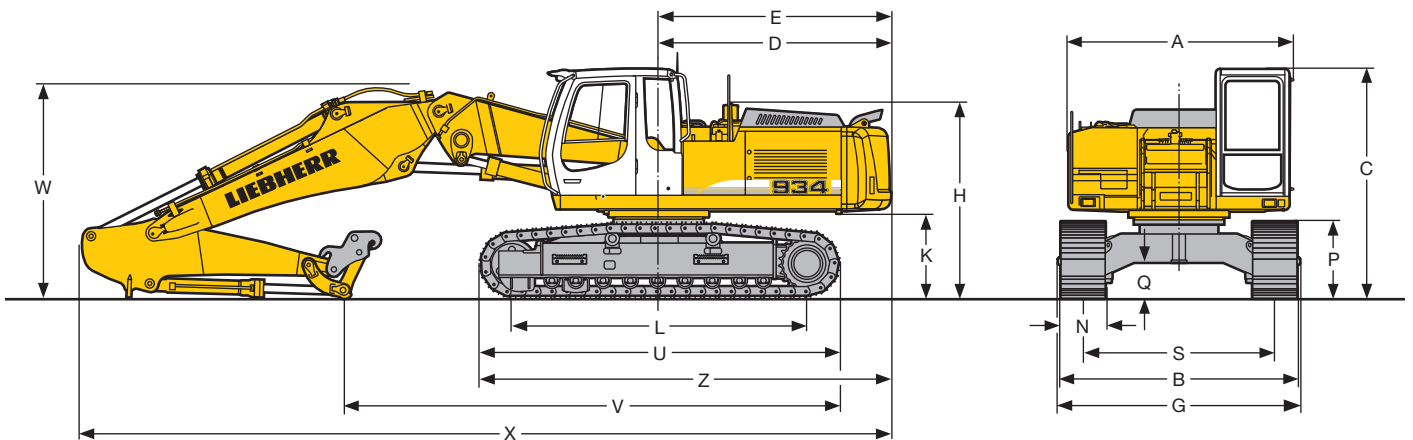
Type	combination of resistant steel plates and cast steel components
Hydraulic cylinders	Liebherr cylinders with special seal-system, shock absorbed
Pivots	sealed, low maintenance
Lubrication	semi-automatic central lubrication system (excepting the connector bracket and shifting lever for the digging tool)
Hydraulic connections	pipes and hoses equipped with SAE split-flange connections
Bucket	fitted as standard with Liebherr tooth system

Dimensions



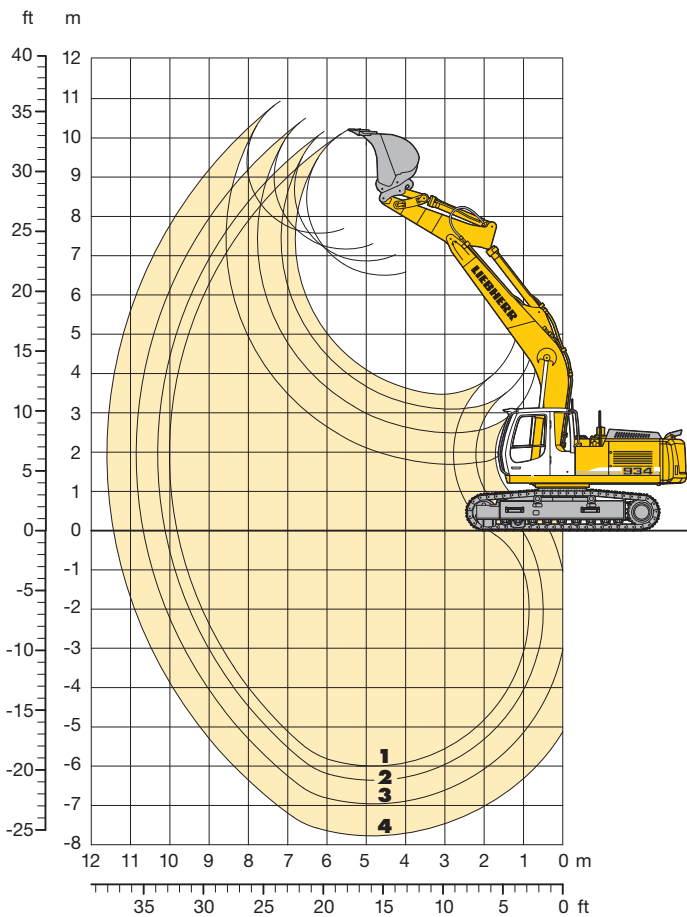
	NLC		LC	
	ft in		ft in	
A	10'		10'	
C	10' 3"		10' 3"	
D	10' 4"		10' 4"	
E	10' 4"		10' 4"	
H	8' 8"		8' 8"	
K	3' 9"		3' 9"	
L	13' 1"		13' 1"	
P	3' 5"		3' 5"	
Q	1' 7"		1' 7"	
U	16' 2"		16' 2"	
S	7'10"		8' 6"	
N	20"	24"	20"	24"
B	9' 8"	9'10"	10' 4"	10' 5"
G	9' 9"	9' 9"	10' 9"	11' 5"
Z	18' 4"		18' 4"	

	NLC-/LC-Undercarriage				
	Stick Length	Goose-neck Boom 19'10"	Hydr. Adjustable Boom 13'9"	Hydr. Adjustable Boom 17'1"	Straight Goose-neck Boom 21'4"
	ft in				
V	6' 7"	22'6"	24'11"	28' 3"	24'11"
	8' 2"	19'8"	21'10"	22' 2"	21'10"
	10' 2"	17'9"	20' 2"	23' 9"	20' 2"
	12'10"	15'7"	18' 1"	21' 8"	18' 1"
W	6' 7"	10'8"	10' 8"	10' 8"	10' 8"
	8' 2"	10'	9' 8"	9'10"	9' 8"
	10' 2"	10'	9'10"	10' 4"	9'10"
	12'10"	10'4"	10' 6"	10'12"	10' 6"
X	6' 7"	34'9"	36'11"	39'10"	36'11"
	8' 2"	34'3"	36' 1"	39' 4"	36' 1"
	10' 2"	34'3"	36' 1"	39' 6"	36' 1"
	12'10"	34'5"	36' 7"	39' 6"	36' 7"



Backhoe Attachment

with Gooseneck Boom 19'10"



Digging Envelope

with Quick Change Adapter

		1	2	3	4
Stick lengths	ft in	6'7"	8' 2"	10' 2"	12'10"
Max. digging depth	ft in	19'8"	20'10"	22'10"	25' 5"
Max. reach at ground level	ft in	32'2"	33' 2"	35' 1"	37' 7"
Max. dump height	ft in	21'6"	22' 6"	23' 5"	24' 9"
Max. teeth height	ft in	33'4"	33' 4"	34' 3"	35' 9"

Digging Forces

with Quick Change Adapter

		1	2	3	4
Digging force ISO	lbf	35,520	30,575	26,530	22,705
	lb	35,495	30,645	26,455	22,710
Breakout force ISO	lbf	45,860	34,395	34,395	34,395
	lb	45,855	34,390	34,390	34,390

without Quick Change Adapter

Digging force ISO	lbf	37,770	32,375	27,875	23,605
	lb	37,700	32,410	27,780	23,590
Breakout force ISO	lbf	52,605	39,565	39,565	39,565
	lb	52,690	39,465	39,465	39,465

Max. breakout force with ripper bucket 56,430 lbf (56,440 lb)

Operating Weight and Ground Pressure

Operating weight includes basic machine with gooseneck boom 19'10", stick 8'2", quick change adapter 66 and bucket 1.31 yd³.

Undercarriage	NLC			LC			
Pad width	in	20"	24"	30"	20"	24"	30"
Weight	lb	70,105	70,990	72,975	70,325	71,210	73,195
Ground pressure	psi	10.5	8.8	7.3	10.5	8.8	7.3

Optional: heavy duty counterweight

(Heavy duty counterweight increases the operating weight by 2,205 lb and ground pressure by 0.3 psi)

Buckets Machine stability per ISO 10567* (75% of tipping capacity)

Cutting width in	Capacity ISO 7451 yd ³	Weight lb	NLC-Undercarriage				LC-Undercarriage			
			Stick length (ft in)				Stick length (ft in)			
			6'7"	8'2"	10'2"	12'10"	6'7"	8'2"	10'2"	12'10"
49" ¹⁾	1.63	2,360	▲	□	□	□	▲	□	□	□
55" ¹⁾	1.90	2,515	▲	□	□	□	▲	□	□	△
61" ¹⁾	2.09	2,670	▲	□	△	■	▲	□	△	■
49" ²⁾	1.63	2,405	▲	□	□	□	▲	□	□	□
55" ²⁾	1.90	2,555	▲	□	□	□	▲	□	□	△
61" ²⁾	2.09	2,710	▲	□	△	■	▲	□	△	■
53" ¹⁾³⁾	1.96	3,020	□	▲	▲	▲	□	▲	▲	▲
59" ¹⁾³⁾	2.29	3,220	□	▲	▲	▲	□	▲	▲	▲
65" ¹⁾³⁾	2.62	3,485	△	▲	▲	▲	□	▲	▲	▲
65" ¹⁾³⁾	2.94	3,725	■	▲	▲	▲	△	▲	▲	▲
53" ²⁾³⁾	1.96	2,930	□	▲	▲	▲	□	▲	▲	▲
59" ²⁾³⁾	2.29	3,130	△	▲	▲	▲	□	▲	▲	▲
65" ²⁾³⁾	2.62	3,395	■	▲	▲	▲	△	▲	▲	▲
65" ²⁾³⁾	2.94	3,640	▲	▲	▲	▲	■	▲	▲	▲

* Indicated loads are based on ISO 10567 max. stick length, lifted 360° on firm

¹⁾ Bucket without quick change adapter with teeth Z 50 ²⁾ Bucket with quick change adapter with teeth Z 50

³⁾ Bucket R 944 C Litronic with teeth Z 50

Other backhoes available on request

Max. material weight □ = ≤ 3,035 lb/yd³, △ = ≤ 2,530 lb/yd³, ■ = ≤ 2,025 lb/yd³, ▲ = not authorized

Lift Capacities

with Gooseneck Boom 19'10"

Stick 6'7"

Height (ft)	Under-carriage	Radius of load from centerline of machine (ft)					
		10	15	20	25	30	35
35	NLC						
	LC						
30	NLC						
	LC						
25	NLC			14,991x (14,991x)			
	LC			14,991x (14,991x)			
20	NLC		20,723x (20,723x)	16,094 (17,769x)			
	LC		20,723x (20,723x)	17,571 (17,769x)			
15	NLC		23,854 (24,471x)	15,256 (19,224x)	10,626 (16,557x)		
	LC		24,471x (24,471x)	16,689 (19,224x)	11,640 (16,557x)		
10	NLC		21,365 (29,079x)	14,198 (21,164x)	10,163 (16,204)		
	LC		23,722 (29,079x)	15,609 (21,164x)	11,177 (17,262x)		
5	NLC		19,798 (31,482x)	13,316 (22,156)	9,700 (15,697)		
	LC		22,090 (31,482x)	14,727 (22,575x)	10,714 (17,328)		
0	NLC		19,357 (30,710x)	12,831 (21,605)	9,436 (15,410)		
	LC		21,627 (30,710x)	14,220 (22,752x)	10,428 (17,020)		
- 5	NLC	25,993x (25,993x)	19,467 (27,911x)	12,765 (21,319x)	9,458 (15,432)		
	LC	25,993x (25,993x)	21,738 (27,911x)	14,154 (21,319x)	10,450 (16,094x)		
- 10	NLC	27,558x (27,558x)	19,974 (22,994x)	13,095 (17,637x)			
	LC	27,558x (27,558x)	22,245 (22,994x)	14,506 (17,637x)			
- 15	NLC						
	LC						
- 20	NLC						
	LC						
- 25	NLC						
	LC						

Stick 8'2"

Height (ft)	Under-carriage	Radius of load from centerline of machine (ft)					
		10	15	20	25	30	35
35	NLC						
	LC						
30	NLC						
	LC						
25	NLC					13,801x (13,801x)	
	LC					13,801x (13,801x)	
20	NLC					16,843 (17,240x)	11,266x (11,266x)
	LC					17,240x (17,240x)	11,266x (11,266x)
15	NLC	34,304x (34,304x)	23,501x (23,501x)	16,028 (18,916x)	11,266 (16,424x)		
	LC	34,304x (34,304x)	23,501x (23,501x)	17,483 (18,916x)	12,280 (16,424x)		
10	NLC		22,730 (28,484x)	15,013 (21,098x)	10,781 (16,843)		
	LC		25,089 (28,484x)	16,446 (21,098x)	11,795 (17,372x)		
5	NLC		20,966 (31,835x)	14,110 (22,906x)	10,296 (16,314)		
	LC		23,281 (31,835x)	15,521 (22,906x)	11,310 (17,924)		
0	NLC		12,721x (12,721x)	20,238 (32,143x)	13,536 (22,333)	9,965 (15,939)	
	LC		12,721x (12,721x)	22,509 (32,143x)	14,925 (23,545x)	10,979 (17,549)	
- 5	NLC	24,780x (24,780x)	20,150 (30,071x)	13,338 (22,112)	9,877 (15,829)		
	LC	24,780x (24,780x)	22,443 (30,071x)	14,749 (22,619x)	10,869 (17,417x)		
- 10	NLC	33,113x (33,113x)	20,503 (25,816x)	13,514 (19,731x)			
	LC	33,113x (33,113x)	22,774 (25,816x)	14,925 (19,731x)			
- 15	NLC			18,409x (18,409x)			
	LC			18,409x (18,409x)			
- 20	NLC						
	LC						
- 25	NLC						
	LC						

Stick 10'2"

Height (ft)	Under-carriage	Radius of load from centerline of machine (ft)					
		10	15	20	25	30	35
35	NLC						
	LC						
30	NLC						
	LC						
25	NLC			12,610x (12,610x)			
	LC			12,610x (12,610x)			
20	NLC			14,396x (14,396x)	11,773 (11,993x)		
	LC			14,396x (14,396x)	11,993x (11,993x)		
15	NLC		20,172x (20,172x)	16,336 (17,461x)	11,398 (15,102x)		
	LC		20,172x (20,172x)	17,461x (17,461x)	12,412 (15,102x)		
10	NLC	26,896x (26,896x)	23,435 (26,257x)	15,256 (19,842x)	10,847 (16,513x)	8,069 (10,296x)	
	LC	26,896x (26,896x)	25,838 (26,257x)	16,689 (19,842x)	11,861 (16,513x)	8,841 (10,296x)	
5	NLC		21,363 (30,534x)	14,220 (22,024x)	10,296 (16,336)	7,804 (12,015x)	
	LC		23,678 (30,534x)	15,631 (22,024x)	11,310 (17,593x)	8,576 (12,015x)	
0	NLC	14,727x (14,727x)	20,238 (32,099x)	13,492 (22,333)	9,877 (15,851)	7,606 (11,111x)	
	LC	14,727x (14,727x)	22,531 (32,099x)	14,903 (23,215x)	10,869 (17,461)	8,378 (11,111x)	
- 5	NLC	22,487x (22,487x)	19,886 (31,063x)	13,162 (21,936)	9,678 (15,631)		
	LC	22,487x (22,487x)	22,179 (31,063x)	14,551 (22,950x)	10,670 (17,240)		
- 10	NLC	32,474x (32,474x)	20,062 (27,778x)	13,184 (20,944x)	9,744 (15,719)		
	LC	32,474x (32,474x)	22,333 (27,778x)	14,595 (20,944x)	10,759 (15,763x)		
- 15	NLC	28,484x (28,484x)	20,657 (21,782x)	13,625 (16,204x)			
	LC	28,484x (28,484x)	21,782x (21,782x)	15,036 (16,204x)			
- 20	NLC						
	LC						
- 25	NLC						
	LC						

Stick 12'10"

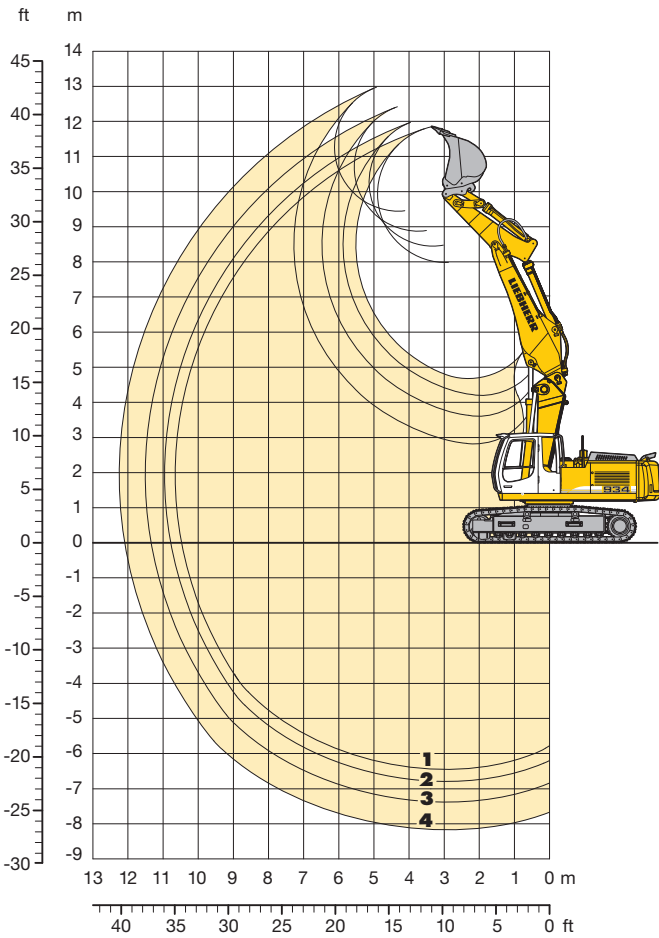
Height (ft)	Under-carriage	Radius of load from centerline of machine (ft)					
		10	15	20	25	30	35
35	NLC						
	LC						
30	NLC						
	LC						
25	NLC					8,818x (8,818x)	
	LC					8,818x (8,818x)	
20	NLC					10,450x (10,450x)	6,636x (6,636x)
	LC					10,450x (10,450x)	6,636x (6,636x)
15	NLC					12,963x (12,963x)	8,444 (9,281x)
	LC					12,963x (12,963x)	9,237 (9,281x)
10	NLC	34,833x (34,833x)	23,016x (23,016x)	15,697 (18,034x)	11,045 (15,278x)	8,135 (11,266x)	
	LC	34,833x (34,833x)	23,016x (23,016x)	17,152 (18,034x)	12,059 (15,278x)	8,929 (11,266x)	
5	NLC	18,497x (18,497x)	22,134 (28,263x)	14,528 (20,635x)	10,406 (16,469)	7,804 (12,324)	
	LC	18,497x (18,497x)	24,493 (28,263x)	15,961 (20,635x)	11,420 (16,645x)	8,576 (13,228x)	
0	NLC	16,182x (16,182x)	20,503 (31,306x)	13,603 (22,487)	9,855 (15,873)	7,496 (11,993)	
	LC	16,182x (16,182x)	22,818 (31,306x)	15,013 (22,487x)	10,869 (17,463)	8,289 (13,272)	
- 5	NLC	20,569x (20,569x)	19,775 (31,680x)	13,073 (21,848)	9,524 (15,476)	7,341 (11,817)	
	LC	20,569x (20,569x)	22,046 (31,680x)	14,462 (23,016x)	10,516 (17,108)	8,113 (13,095)	
- 10	NLC	27,558x (27,558x)	19,665 (29,718x)	12,897 (21,649)	9,436 (15,368)		
	LC	27,558x (27,558x)	21,936 (29,718x)	14,286 (22,002x)	10,428 (16,887x)		
- 15	NLC	35,252x (35,252x)	20,018 (25,309x)	13,095 (18,894x)	9,678 (13,735x)		
	LC	35,252x (35,252x)	22,311 (25,309x)	14,506 (18,894x)	10,670 (13,735x)		
- 20	NLC						
	LC						
- 25	NLC						
	LC						

Capacities are in lb and can be lifted 360° with machine on firm, supporting surface, equipped with 24" wide triple grouser pads. Capacities in (...) can be lifted over end only. Indicated capacities are based on SAE J 10567 and ISO 10567 and do not exceed 75 % of tipping and 87 % of hydraulic capacity (x). Maximum load for the quick change adapter's load hook is 26,455 lb. Without the quick change adapter, the lift capacity increases by 905 lb/1,300 lb*, without the bucket cylinder, link and lever, they increase by an additional 694 lb/990 lb*. Safe lifting capacity of the excavator is limited by machine stability, hydraulic capacity and maximum permissible load on the load hook.

* capacities for stick 6'7"

Backhoe Attachment

with Hydr. Adjustable Boom 13'9"



Digging Envelope with Quick Change Adapter

		1	2	3	4
Stick lengths	ft in	6' 7"	8' 2"	10' 2"	12' 10"
Max. digging depth	ft in	21' 2"	22' 4"	24' 1"	26' 9"
Max. reach at ground level	ft in	34' 3"	35' 5"	37' 3"	39' 8"
Max. dump height	ft in	26' 3"	27' 9"	29' 2"	31'
Max. teeth height	ft in	38' 11"	39' 4"	40' 8"	42' 8"

Digging Forces with Quick Change Adapter

		1	2	3	4
Digging force ISO	lbf	35,520	30,575	26,530	22,705
	lb	35,495	30,645	26,455	22,710
Breakout force ISO	lbf	45,860	34,395	34,395	34,395
	lb	45,855	34,390	34,390	34,390

without Quick Change Adapter

Digging force ISO	lbf	37,770	32,375	27,875	23,605
	lb	37,700	32,410	27,780	23,590
Breakout force ISO	lbf	52,605	39,565	39,565	39,565
	lb	52,690	39,465	39,465	39,465

Max. breakout force with ripper bucket 56,430 lbf (56,440 lb)

Operating Weight and Ground Pressure

Operating weight includes basic machine with hydraulically adjustable boom 13'9", stick 8'2", quick change adapter 66 and bucket 1.31 yd³.

Undercarriage	NLC			LC			
Pad width	in	20"	24"	30"	20"	24"	30"
Weight	lb	74,295	75,180	77,160	74,515	75,400	77,380
Ground pressure	psi	11.1	9.4	7.7	11.1	9.4	7.7

Optional: heavy duty counterweight
(Heavy duty counterweight increases the operating weight by 2,205 lb and ground pressure by 0.3 psi)

Buckets Machine stability per ISO 10567* (75% of tipping capacity)

Cutting width in	Capacity ISO 7451 yd ³	Weight lb	NLC-Undercarriage				LC-Undercarriage			
			Stick length (ft in)				Stick length (ft in)			
			6'7"	8'2"	10'2"	12'10"	6'7"	8'2"	10'2"	12'10"
41" ¹⁾	1.31	2,070	▲	□	□	□	▲	□	□	□
49" ¹⁾	1.63	2,360	▲	□	□	□	▲	□	□	□
55" ¹⁾	1.90	2,515	▲	□	△	■	▲	□	□	△
41" ²⁾	1.31	2,115	▲	□	□	△	▲	□	□	□
49" ²⁾	1.63	2,405	▲	□	△	■	▲	□	□	△
55" ²⁾	1.90	2,555	▲	△	■	▲	▲	□	△	■
47" ¹⁾³⁾	1.63	2,820	□	▲	▲	▲	□	▲	▲	▲
53" ¹⁾³⁾	1.96	3,020	△	▲	▲	▲	□	▲	▲	▲
59" ¹⁾³⁾	2.29	3,220	■	▲	▲	▲	△	▲	▲	▲
65" ¹⁾³⁾	2.62	3,485	▲	▲	▲	▲	■	▲	▲	▲
47" ²⁾³⁾	1.63	2,735	□	▲	▲	▲	□	▲	▲	▲
53" ²⁾³⁾	1.96	2,930	△	▲	▲	▲	□	▲	▲	▲
59" ²⁾³⁾	2.29	3,130	■	▲	▲	▲	△	▲	▲	▲
65" ²⁾³⁾	2.62	3,485	▲	▲	▲	▲	■	▲	▲	▲

* Indicated loads are based on ISO 10567 max. stick length, lifted 360° on firm

¹⁾ Bucket without quick change adapter with teeth Z 50 ²⁾ Bucket with quick change adapter with teeth Z 50

³⁾ Bucket R 944 C Litronic with teeth Z 50

Other backhoes available on request

Max. material weight □ = ≤ 3,035 lb/yd³, △ = ≤ 2,530 lb/yd³, ■ = ≤ 2,025 lb/yd³, ▲ = not authorized

Lift Capacities

with Hydr. Adjustable Boom 13'9"

Stick 6'7"

Height (ft)	Under-carriage	Radius of load from centerline of machine (ft)					
		10	15	20	25	30	35
35	NLC						
	LC						
30	NLC		18,872x (18,872x)				
	LC		18,872x (18,872x)				
25	NLC		22,068x (22,068x)	16,777 (18,938x)			
	LC		22,068x (22,068x)	18,210x (18,938x)			
20	NLC	33,687x (33,687x)	24,648x (24,648x)	16,579x (19,401x)	10,759 (16,292x)		
	LC	33,687x (33,687x)	24,648x (24,648x)	17,835x (19,401x)	11,817 (16,292x)		
15	NLC	36,641x (36,641x)	24,008 (27,514x)	16,204x (20,437x)	10,759 (16,491)		
	LC	36,641x (36,641x)	25,794x (27,514x)	17,282 (20,437x)	11,817 (16,513x)		
10	NLC	34,899x (34,899x)	23,171 (29,476x)	15,851x (21,319x)	10,406 (16,204x)		
	LC	34,899x (34,899x)	24,868 (29,476x)	16,976 (21,319x)	11,464 (16,755x)		
5	NLC	40,433x (40,433x)	23,193 (29,608x)	15,344 (21,385x)	9,877 (16,226)		
	LC	40,433x (40,433x)	24,890 (29,608x)	16,865 (21,385x)	10,935 (16,889x)		
0	NLC	40,609 (47,245x)	21,694 (29,983x)	14,330 (21,605x)	9,193 (15,454)		
	LC	46,407 (47,245x)	24,119 (29,983x)	15,807 (21,605x)	10,229 (16,909x)		
- 5	NLC	39,705 (49,428x)	20,723 (30,887x)	13,073 (22,267x)	8,598 (14,771)		
	LC	45,459 (49,428x)	23,127 (30,887x)	14,528 (22,267x)	9,634 (14,903x)		
- 10	NLC	39,926 (48,061x)	19,996 (29,829x)	12,280 (18,342x)			
	LC	45,702 (48,061x)	22,355 (29,829x)	13,713 (18,342x)			
- 15	NLC	31,901x (31,901x)	16,204x (16,204x)				
	LC	31,901x (31,901x)	16,204x (16,204x)				
- 20	NLC						
	LC						
- 25	NLC						
	LC						

Stick 8'2"

Height (ft)	Under-carriage	Radius of load from centerline of machine (ft)					
		10	15	20	25	30	35
35	NLC						
	LC						
30	NLC			15,499x (15,499x)			
	LC			15,499x (15,499x)			
25	NLC			17,328x (17,328x)	16,116x (16,116x)		
	LC			17,328x (17,328x)	16,116x (16,116x)		
20	NLC			21,848x (21,848x)	17,196 (19,268x)	11,707 (15,675x)	
	LC			21,848x (21,848x)	18,431x (19,268x)	12,721 (15,675x)	
15	NLC	42,197x (42,197x)	24,966 (27,183x)	16,733x (20,525x)	11,662 (16,777x)		
	LC	42,197x (42,197x)	26,676 (27,183x)	17,880 (20,525x)	12,721 (16,777x)		
10	NLC	36,773x (36,773x)	23,986 (30,049x)	16,380 (21,738x)	11,420 (16,711x)	7,540 (12,214)	
	LC	36,773x (36,773x)	25,750 (30,049x)	17,527 (21,738x)	12,478 (17,218x)	8,356 (13,338x)	
5	NLC	40,631x (40,631x)	23,788 (30,380x)	16,204 (22,112x)	10,759 (16,689)	7,275 (11,949)	
	LC	40,631x (40,631x)	25,507 (30,380x)	17,461x (22,112x)	11,817 (17,262x)	8,069 (13,162)	
0	NLC	42,483 (46,143x)	22,818 (30,622x)	15,102 (22,156x)	10,075 (16,380)	6,945 (11,596)	
	LC	46,143x (46,143x)	25,265 (30,622x)	16,579 (22,156x)	11,133 (17,394x)	7,760 (12,699x)	
- 5	NLC	40,940 (49,957x)	21,583 (31,284x)	14,021 (22,774x)	9,392 (15,609)		
	LC	46,738 (49,957x)	23,986 (31,284x)	15,476 (22,774x)	10,428 (16,998x)		
- 10	NLC	40,653 (49,957x)	21,164 (32,077x)	13,051 (21,231x)	9,039 (11,927x)		
	LC	46,451 (49,957x)	23,567 (32,077x)	14,484 (21,231x)	10,075 (11,927x)		
- 15	NLC	40,852 (41,006x)	20,194 (22,774x)				
	LC	41,006x (41,006x)	22,553 (22,774x)				
- 20	NLC						
	LC						
- 25	NLC						
	LC						

Stick 10'2"

Height (ft)	Under-carriage	Radius of load from centerline of machine (ft)					
		10	15	20	25	30	35
35	NLC						
	LC						
30	NLC			11,155x (11,155x)			
	LC			11,155x (11,155x)			
25	NLC			13,580x (13,580x)	10,648x (10,648x)		
	LC			13,580x (13,580x)	10,648x (10,648x)		
20	NLC		15,697x (15,697x)	15,873x (15,873x)	12,015 (14,088x)		
	LC		15,697x (15,697x)	15,873x (15,873x)	12,941 (14,088x)		
15	NLC	38,383x (38,383x)	25,265 (25,463x)	16,821 (19,555x)	12,015 (16,138x)	8,135 (11,596x)	
	LC	38,383x (38,383x)	25,463x (25,463x)	17,880 (19,555x)	13,007 (16,138x)	8,885 (11,596x)	
10	NLC	37,589x (37,589x)	24,008 (28,859x)	16,248 (21,032x)	11,861 (16,601x)	7,937 (12,456)	
	LC	37,589x (37,589x)	25,838 (28,859x)	17,394 (21,032x)	12,831 (16,755x)	8,752 (13,669)	
5	NLC	38,316x (38,316x)	23,479 (30,181x)	16,116x (21,848x)	11,354 (16,424x)	7,540 (12,147)	
	LC	38,316x (38,316x)	25,199 (30,181x)	17,108x (21,848x)	12,302 (17,042x)	8,356 (13,338)	
0	NLC	42,924 (43,519x)	23,325 (30,203x)	15,322 (21,848x)	10,560 (16,579)	7,077 (11,773)	
	LC	43,519x (43,519x)	25,441 (30,203x)	16,821 (21,848x)	11,618 (17,042x)	7,893 (12,985)	
- 5	NLC	41,249 (48,259x)	21,760 (30,666x)	14,374 (22,179x)	9,656 (15,917)	6,724 (11,376)	
	LC	47,069 (48,259x)	24,185 (30,666x)	15,851 (22,179x)	10,692 (17,394x)	7,540 (11,795x)	
- 10	NLC	40,389 (50,133x)	21,010 (31,747x)	13,316 (22,575)	9,017 (15,212)		
	LC	46,165 (50,133x)	23,413 (31,747x)	14,793 (22,575x)	10,053 (15,234x)		
- 15	NLC	40,852 (47,421x)	20,194 (28,087x)	12,677 (16,733x)			
	LC	46,650 (47,421x)	22,575 (28,087x)	14,110 (16,733x)			
- 20	NLC						
	LC						
- 25	NLC						
	LC						

Stick 12'10"

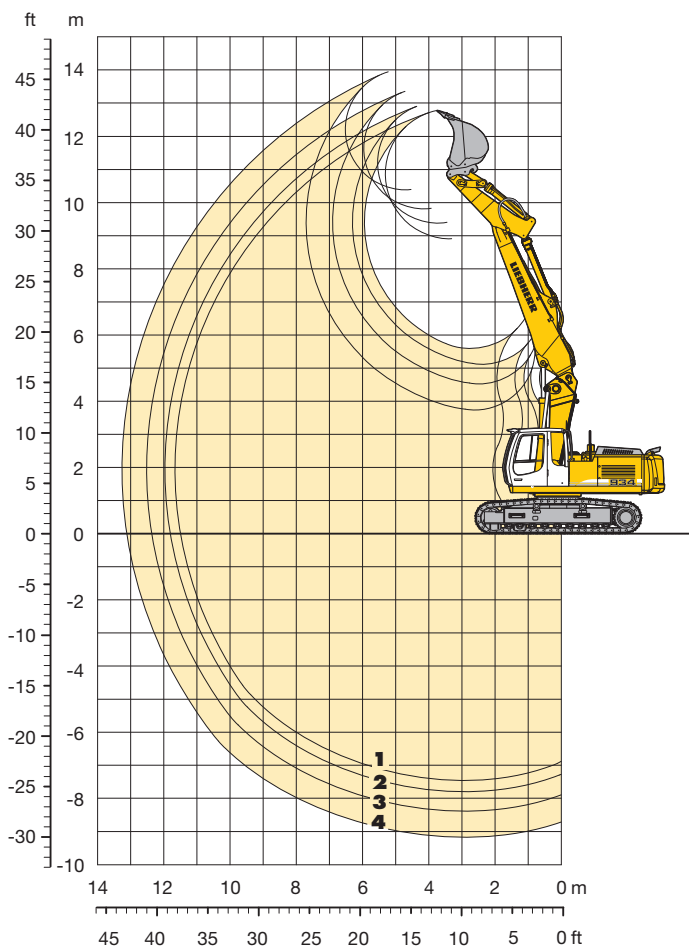
Height (ft)	Under-carriage	Radius of load from centerline of machine (ft)					
		10	15	20	25	30	35
35	NLC						
	LC						
30	NLC			10,031x (10,031x)	7,297x (7,297x)		
	LC			10,031x (10,031x)	7,297x (7,297x)		
25	NLC			10,604x (10,604x)	9,943x (9,943x)		
	LC			10,604x (10,604x)	9,943x (9,943x)		
20	NLC			11,707x (11,707x)	11,486x (11,486x)	8,532 (9,083x)	
	LC			11,707x (11,707x)	11,486x (11,486x)	9,083x (9,083x)	
15	NLC		15,499x (15,499x)	15,102x (15,102x)	12,170x (13,889x)	8,576 (11,332x)	
	LC		15,499x (15,499x)	15,102x (15,102x)	12,963x (13,889x)	9,281 (11,332x)	
10	NLC	40,830x (40,830x)	24,317 (26,874x)	16,336x (19,930x)	11,927 (16,050x)	8,356 (12,677)	
	LC	40,830x (40,830x)	26,257 (26,874x)	17,394 (19,930x)	12,787 (16,050x)	9,105 (13,470x)	
5	NLC	37,853x (37,853x)	23,612x (29,542x)	15,984 (21,275x)	11,817 (16,270x)	8,025 (12,412)	5,445 (7,231x)
	LC	37,853x (37,853x)	25,155x (29,542x)	17,064x (21,275x)	12,655 (16,667x)	8,752 (13,448x)	6,107 (7,231x)
0	NLC	40,675x (40,675x)	23,325x (29,851x)	15,785 (21,583x)	11,133 (16,160)	7,496 (12,059x)	
	LC	40,675x (40,675x)	24,912x (29,851x)	16,887x (21,583x)	12,125x (16,755x)	8,289 (13,184)	
- 5	NLC	42,197 (45,173x)	22,245 (30,071x)	14,617 (21,671x)	10,207 (16,336)	6,945 (11,574)	
	LC	45,173x (45,173x)	24,692 (30,071x)	16,116 (21,671x)	11,266 (16,865x)	7,760 (12,787)	
- 10	NLC	40,455 (49,207x)	21,076 (30,799x)	13,867 (22,311x)	9,326 (15,565)	6,548 (10,935x)	
	LC	46,253 (49,207x)	23,479 (30,799x)	15,344 (22,311x)	10,362 (16,954x)	7,363 (10,935x)	
- 15	NLC	40,146 (49,406x)	20,723 (31,504x)	12,853 (21,186x)	8,818 (13,162x)		
	LC	45,922 (49,406x)	23,104 (31,504x)	14,308 (21,186x)	9,855 (13,162x)		
- 20	NLC	37,545x (37,545x)	19,820 (21,649x)	11,111x (11,111x)			
	LC	37,545x (37,545x)	21,649x (21,649x)	11,111x (11,111x)			
- 25	NLC						
	LC						

Capacities are in lb and can be lifted 360° with machine on firm, supporting surface, equipped with 24" wide triple grouser pads with adjusting cylinder in optimal position. Capacities in (...) can be lifted over end only. Indicated capacities are based on SAE J 10567 and ISO 10567 and do not exceed 75 % of tipping and 87 % of hydraulic capacity (x). Maximum load for the quick change adapter's load hook is 26,455 lb. Without the quick change adapter, the lift capacity increases by 905 lb/1,300 lb*, without the bucket cylinder, link and lever, they increase by an additional 694 lb/990 lb*. Safe lifting capacity of the excavator is limited by machine stability, hydraulic capacity and maximum permissible load on the load hook.

* capacities for stick 6'7"

Backhoe Attachment

with Hydr. Adjustable Boom 17'1"



Digging Envelope with Quick Change Adapter

		1	2	3	4
Stick lengths	ft in	6' 7"	8' 2"	10' 2"	12'10"
Max. digging depth	ft in	24' 5"	25' 7"	27' 5"	30'
Max. reach at ground level	ft in	37' 9"	38' 9"	40' 6"	42'12"
Max. dump height	ft in	29' 2"	30'10"	32' 2"	34' 1"
Max. teeth height	ft in	41'12"	42' 4"	43'10"	45' 9"

Digging Forces with Quick Change Adapter

		1	2	3	4
Digging force ISO	lbf	35,520	30,575	26,530	22,705
	lb	35,495	30,645	26,455	22,710
Breakout force ISO	lbf	45,860	34,395	34,395	34,395
	lb	45,855	34,390	34,390	34,390

without Quick Change Adapter

Digging force ISO	lbf	37,770	32,375	27,875	23,605
	lb	37,700	32,410	27,780	23,590
Breakout force ISO	lbf	52,605	39,565	39,565	39,565
	lb	52,690	39,465	39,465	39,465

Max. breakout force with ripper bucket 56,430 lbf (56,440 lb)

Operating Weight and Ground Pressure

Operating weight includes basic machine with hydraulically adjustable boom 17'1", stick 8'2", quick change adapter 66 and bucket 1.31 yd³.

Undercarriage	NLC			LC			
Pad width	in	20"	24"	30"	20"	24"	30"
Weight	lb	74,515	75,400	77,380	74,735	75,620	77,605
Ground pressure	psi	11.1	9.4	7.7	11.1	9.4	7.7

Optional: heavy duty counterweight
(Heavy duty counterweight increases the operating weight by 2,205 lb and ground pressure by 0.3 psi)

Buckets Machine stability per ISO 10567* (75% of tipping capacity)

Cutting width in	Capacity ISO 7451 yd ³	Weight lb	NLC-Undercarriage				LC-Undercarriage			
			Stick length (ft in)				Stick length (ft in)			
			6'7"	8'2"	10'2"	12'10"	6'7"	8'2"	10'2"	12'10"
33" ¹⁾	0.98	1,785	▲	□	□	△	▲	□	□	□
41" ¹⁾	1.31	2,070	▲	□	△	■	▲	□	□	△
49" ¹⁾	1.63	2,360	▲	△	■	▲	▲	□	△	■
31" ²⁾	0.92	1,810	▲	□	□	△	▲	□	□	□
41" ²⁾	1.31	2,115	▲	□	△	■	▲	□	□	△
49" ²⁾	1.63	2,405	▲	△	■	▲	▲	□	△	■
41" ¹⁾³⁾	1.31	2,690	□	▲	▲	▲	□	▲	▲	▲
47" ¹⁾³⁾	1.63	2,820	△	▲	▲	▲	□	▲	▲	▲
53" ¹⁾³⁾	1.96	3,020	■	▲	▲	▲	△	▲	▲	▲
59" ¹⁾³⁾	2.29	3,220	▲	▲	▲	▲	■	▲	▲	▲
41" ²⁾³⁾	1.31	2,535	△	▲	▲	▲	□	▲	▲	▲
47" ²⁾³⁾	1.63	2,735	■	▲	▲	▲	△	▲	▲	▲
53" ²⁾³⁾	1.96	2,930	▲	▲	▲	▲	■	▲	▲	▲

* Indicated loads are based on ISO 10567 max. stick length, lifted 360° on firm

¹⁾ Bucket without quick change adapter with teeth Z 50 ²⁾ Bucket with quick change adapter with teeth Z 50

³⁾ Bucket R 944 C Litronic with teeth Z 50

Other backhoes available on request

Max. material weight □ = ≤ 3,035 lb/yd³, △ = ≤ 2,530 lb/yd³, ■ = ≤ 2,025 lb/yd³, ▲ = not authorized

Lift Capacities

with Hydr. Adjustable Boom 17'1"

Stick 6'7"

Height (ft)	Under-carriage	Radius of load from centerline of machine (ft)					
		10	15	20	25	30	35
35	NLC						
	LC						
30	NLC		21,319x (21,319)	16,843 (17,461)			
	LC		21,319x (21,319)	17,461x (17,461)			
25	NLC		22,156x (22,156)	16,557 (17,593)	11,133 (14,903)		
	LC		22,156x (22,156)	17,593x (17,593)	12,214 (14,903)		
20	NLC	31,217x (31,217)	23,810x (24,537)	15,873 (18,497)	11,398 (15,124)		
	LC	31,217x (31,217)	24,537x (24,537)	17,064 (18,497)	12,302 (15,124)		
15	NLC		22,377x (25,022)	15,278x (19,709)	11,288 (15,587)	7,209 (11,949)	
	LC		24,074 (25,022)	16,380x (19,709)	12,081x (15,587)	8,025 (12,941)	
10	NLC		21,782 (25,309)	14,925 (20,437)	10,979 (15,388)	7,011 (11,729)	
	LC		23,281x (25,309)	15,939 (20,437)	11,949x (15,895)	7,826 (12,787)	
5	NLC		21,649 (27,668)	14,815 (20,349)	10,406 (15,278)	6,614 (11,310)	
	LC		23,612 (27,668)	15,873x (20,371)	11,464 (15,829)	7,408 (12,566)	
0	NLC	24,802x (24,802)	20,525 (29,013)	13,779 (20,591)	9,524 (15,653)	6,261 (10,913)	
	LC	24,802x (24,802)	22,928 (29,013)	15,256 (20,591)	10,582 (15,984)	7,055 (12,170)	
- 5	NLC	38,250 (40,587)	19,798 (29,630)	13,162 (21,164)	8,686 (14,903)	5,886 (10,472)	
	LC	40,587x (40,587)	22,179 (29,630)	14,617 (21,164)	9,722 (16,402)	6,680 (10,472)	
- 10	NLC	38,493 (48,105)	19,687 (30,600)	12,500 (21,671)	8,135 (13,845)		
	LC	44,203 (48,105)	22,068 (30,600)	13,955 (21,671)	9,171 (13,845)		
- 15	NLC	39,749 (45,283)	19,445 (27,007)	11,905 (15,587)			
	LC	45,283x (45,283)	21,804 (27,007)	13,338 (15,587)			
- 20	NLC						
	LC						
- 25	NLC						
	LC						

Stick 8'2"

Height (ft)	Under-carriage	Radius of load from centerline of machine (ft)					
		10	15	20	25	30	35
35	NLC						
	LC						
30	NLC					15,785x (15,785)	
	LC					15,785x (15,785)	
25	NLC			18,938x (18,938)	17,152 (17,505)	12,059 (14,947)	
	LC			18,938x (18,938)	17,505x (17,505)	13,073 (14,947)	
20	NLC	36,685x (36,685)	24,141x (24,141)	16,513x (18,541)	12,015x (15,322)		8,113 (12,787)
	LC	36,685x (36,685)	24,141x (24,141)	17,703 (18,541)	12,853 (15,322)		8,929 (13,228)
15	NLC	30,203x (30,203)	23,325x (27,712)	15,917 (19,952)	11,795 (15,939)	8,135 (12,699)	
	LC	30,203x (30,203)	25,000x (27,712)	17,020 (19,952)	12,610x (15,939)	8,951 (13,382)	
10	NLC	22,046x (22,046)	22,597 (26,698)	15,432 (21,032)	11,574 (15,984)	7,871 (12,544)	
	LC	22,046x (22,046)	24,119x (26,698)	16,491x (21,032)	12,368 (16,424)	8,686 (13,316)	
5	NLC	19,246x (19,246)	22,641 (27,977)	15,432x (21,098)	11,266 (15,851)	7,540 (12,258)	
	LC	19,246x (19,246)	24,163 (27,977)	16,491 (21,204)	12,324 (16,491)	8,333 (13,250)	
0	NLC	26,015x (26,015)	21,694 (29,608)	14,595 (21,208)	10,604 (16,028)	7,033 (11,707)	
	LC	26,015x (26,015)	24,119 (29,608)	16,072 (21,231)	11,662 (16,535)	7,826 (12,963)	
- 5	NLC	36,068x (36,068)	20,723 (30,159)	13,867 (21,627)	9,612 (15,895)	6,570 (11,199)	
	LC	36,068x (36,068)	23,104 (30,159)	15,322 (21,627)	10,648 (16,976)	7,363 (12,478)	
- 10	NLC	39,308 (48,502)	20,371 (31,129)	13,360 (22,531)	9,651 (15,146)		
	LC	45,018 (48,502)	22,752 (31,129)	14,815 (22,531)	9,987 (16,292)		
- 15	NLC	40,080 (47,686)	20,216 (29,983)	12,588 (19,268)	8,708 (9,833)		
	LC	45,634 (47,686)	22,597 (29,983)	14,043 (19,268)	9,722 (9,833)		
- 20	NLC	31,085x (31,085)	16,094x (16,094)				
	LC	31,085x (31,085)	16,094x (16,094)				
- 25	NLC						
	LC						

Stick 10'2"

Height (ft)	Under-carriage	Radius of load from centerline of machine (ft)					
		10	15	20	25	30	35
35	NLC			10,670x (10,670)			
	LC			10,670x (10,670)			
30	NLC			13,338x (13,338)	10,979x (10,979)		
	LC			13,338x (13,338)	10,979x (10,979)		
25	NLC			14,771x (14,771)	12,302 (13,955)	8,356 (9,392)	
	LC			14,771x (14,771)	13,162 (13,955)	9,149 (9,392)	
20	NLC	20,349x (20,349)	16,667 (17,593)	12,037 (14,639)	8,532x (12,677)		
	LC	20,349x (20,349)	17,593x (17,593)	12,875x (14,639)	9,370 (12,677)		
15	NLC	32,849x (32,849)	23,766x (25,993)	16,006 (19,092)	11,662 (15,344)	8,554 (12,588)	
	LC	32,849x (32,849)	25,353 (25,993)	17,130 (19,092)	12,500 (15,344)	9,304 (12,941)	
10	NLC	26,918x (26,918)	22,509x (27,161)	15,410 (20,459)	11,420x (15,873)	8,311 (12,368)	5,512 (9,259)
	LC	26,918x (26,918)	24,317x (27,161)	16,446 (20,459)	12,236x (16,006)	9,127 (13,140)	6,151 (10,252)
5	NLC	27,999x (27,999)	22,090x (27,558)	15,080 (20,900)	11,420 (15,631)	7,937 (12,302)	5,291 (9,017)
	LC	27,999x (27,999)	24,008x (27,558)	16,270x (20,922)	12,192 (16,270)	8,752 (13,007)	5,952 (10,031)
0	NLC	26,433x (26,433)	22,134 (28,947)	14,793 (20,878)	10,670 (15,653)	7,319 (12,037)	5,004 (8,708)
	LC	26,433x (26,433)	24,163 (28,947)	16,292 (20,900)	11,729 (16,226)	8,135 (13,118)	5,666 (9,766)
- 5	NLC	32,695x (32,695)	20,834 (29,564)	13,889 (21,186)	10,097 (16,094)	6,768 (11,442)	
	LC	32,695x (32,695)	23,215 (29,564)	15,366 (21,186)	11,155 (16,469)	7,584 (12,721)	
- 10	NLC	38,934 (41,976)	20,216 (30,380)	13,404 (21,870)	9,171 (15,410)	6,393 (11,023)	
	LC	41,976x (41,976)	22,597 (30,380)	14,859 (21,870)	10,207 (16,954)	7,187 (11,618)	
- 15	NLC	39,330 (48,590)	20,238 (31,107)	12,743 (21,561)	8,620 (13,845)		
	LC	45,040 (48,590)	22,619 (31,107)	14,198 (21,561)	9,656 (13,845)		
- 20	NLC	39,904 (40,345)	19,687 (23,435)	12,346 (12,743)			
	LC	40,345x (40,345)	22,046 (23,435)	12,743x (12,743)			
- 25	NLC						
	LC						

Stick 12'10"

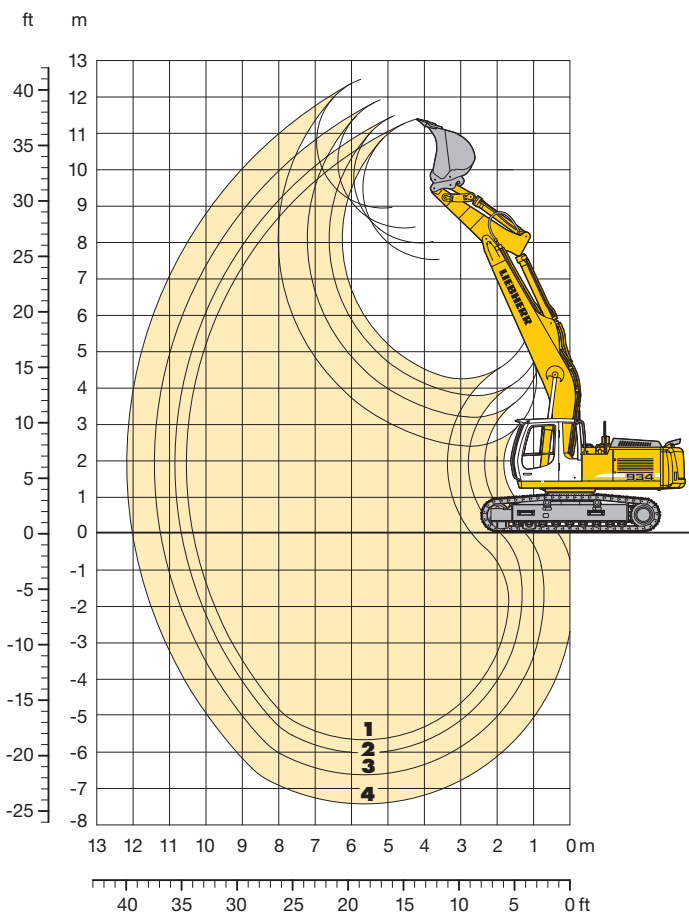
Height (ft)	Under-carriage	Radius of load from centerline of machine (ft)					
		10	15	20	25	30	35
35	NLC					7,187x (7,187)	
	LC					7,187x (7,187)	
30	NLC					10,009x (10,009)	6,548x (6,548)
	LC					10,009x (10,009)	6,548x (6,548)
25	NLC			10,979x (10,979)	11,133x (11,133)	8,841 (9,766)	
	LC			10,979x (10,979)	11,133x (11,133)	9,524x (9,766)	
20	NLC			13,029x (13,029)	12,125x (12,897)	9,995 (11,685)	6,107 (7,738)
	LC			13,029x (13,029)	12,853x (12,897)	9,678 (11,685)	6,724 (7,738)
15	NLC	36,972x (36,972)	23,722x (23,722)	16,204 (17,880)	11,685 (14,551)	8,929 (12,346)	6,085 (9,634)
	LC	36,972x (36,972)	23,722x (23,722)	17,372 (17,880)	12,522 (14,551)	9,590 (12,346)	6,746 (10,229)
10	NLC	30,424x (30,424)	22,928 (27,249)	15,432 (19,533)	11,288 (15,366)	8,796 (12,258)	5,975 (9,524)
	LC	30,424x (30,424)	24,626 (27,249)	16,513 (19,533)	12,103x (15,366)	9,458 (12,743)	6,636 (10,494)
5	NLC	28,814x (28,814)	22,046 (27,029)	14,925x (20,547)	11,111 (15,499)	8,488 (12,059)	5,644 (9,304)
	LC	28,814x (28,814)	23,656x (27,029)	16,138x (20,547)	11,861 (15,939)	9,215 (12,831)	6,305 (10,274)
0	NLC	28,903x (28,903)	22,134 (28,021)	14,947 (20,591)	10,891 (15,366)	7,871 (12,125)	5,291 (8,973)
	LC	28,903x (28,903)	23,722 (28,021)	15,939 (20,613)	11,949 (15,961)	8,686 (12,765)	5,952 (9,965)
- 5	NLC	30,424x (30,424)	21,208 (28,925)	14,088 (20,723)	10,185 (15,565)	7,165 (11,883)	4,938 (8,664)
	LC	30,424x (30,424)	23,634 (28,925)	15,565 (20,723)	11,244 (16,028)	7,959 (13,007)	5,600 (9,656)
- 10	NLC	36,398x (36,398)	20,238 (29,542)	13,382 (21,164)	9,722 (16,050)	6,570 (11,244)	
	LC	36,398x (36,398)	22,619 (29,542)	14,837 (21,164)	10,759 (16,469)	7,385 (12,522)	
- 15	NLC	38,691 (45,349)	19,908 (30,666)	13,095 (22,179)	8,730 (14,947)	6,173 (10,053)	
	LC	44,379 (45,349)	22,267 (30,666)	14,551 (22,179)	9,766 (16,204)	6,967 (10,053)	
- 20	NLC	39,573 (47,113)	19,820 (29,277)	12,324 (19,004)	8,400 (10,318)		
	LC	45,327 (47,113)	22,201 (29,277)	13,779 (19,004)	9,436 (10,318)		
- 25	NLC	26,544x (26,544)					
	LC	26,544x (26,544)					

Capacities are in lb and can be lifted 360° with machine on firm, supporting surface, equipped with 24" wide triple grouser pads with adjusting cylinder in optimal position. Capacities in (...) can be lifted over end only. Indicated capacities are based on SAE J 10567 and ISO 10567 and do not exceed 75 % of tipping and 87 % of hydraulic capacity (x). Maximum load for the quick change adapter's load hook is 26,455 lb. Without the quick change adapter, the lift capacity increases by 905 lb/1,300 lb*, without the bucket cylinder, link and lever, they increase by an additional 694 lb/990 lb*. Safe lifting capacity of the excavator is limited by machine stability, hydraulic capacity and maximum permissible load on the load hook.

* capacities for stick 6'7"

Backhoe Attachment

with Straight Gooseneck Boom 21'4"



Digging Envelope

with Quick Change Adapter

		1	2	3	4
Stick lengths	ft in	6' 7"	8' 2"	10' 2"	12'10"
Max. digging depth	ft in	18' 6"	19' 8"	21' 8"	24' 3"
Max. reach at ground level	ft in	33'11"	34'11"	36'11"	39' 4"
Max. dump height	ft in	24' 9"	26' 3"	27' 7"	29' 4"
Max. teeth height	ft in	37' 5"	37' 9"	39' 1"	41'

Digging Forces

with Quick Change Adapter

		1	2	3	4
Digging force ISO	lbf	35,520	30,575	26,530	22,705
	lb	35,495	30,645	26,455	22,710
Breakout force ISO	lbf	45,860	34,395	34,395	34,395
	lb	45,855	34,390	34,390	34,390

without Quick Change Adapter

Digging force ISO	lbf	37,770	32,375	27,875	23,605
	lb	37,700	32,410	27,780	23,590
Breakout force ISO	lbf	52,605	39,565	39,565	39,565
	lb	52,690	39,465	39,465	39,465

Max. breakout force with ripper bucket 56,430 lbf (56,440 lb)

Operating Weight and Ground Pressure

Operating weight includes basic machine with straight gooseneck boom 21'4", stick 8'2", quick change adapter 66 and bucket 1.31 yd³.

Undercarriage	NLC			LC			
Pad width	in	20"	24"	30"	20"	24"	30"
Weight	lb	70,325	71,210	73,195	70,550	71,430	73,415
Ground pressure	psi	10.5	8.8	7.3	10.5	8.8	7.3

Optional: heavy duty counterweight
(Heavy duty counterweight increases the operating weight by 2,205 lb and ground pressure by 0.3 psi)

Buckets Machine stability per ISO 10567* (75% of tipping capacity)

Cutting width in	Capacity ISO 7451 yd ³	Weight lb	NLC-Undercarriage				LC-Undercarriage			
			Stick length (ft in)				Stick length (ft in)			
			6'7"	8'2"	10'2"	12'10"	6'7"	8'2"	10'2"	12'10"
49" ¹⁾	1.63	2,360	▲	□	□	□	▲	□	□	□
55" ¹⁾	1.90	2,515	▲	□	□	△	▲	□	□	△
61" ¹⁾	2.09	2,670	▲	□	△	■	▲	□	△	■
49" ²⁾	1.63	2,405	▲	□	□	△	▲	□	□	△
55" ²⁾	1.90	2,555	▲	□	△	■	▲	□	△	■
61" ²⁾	2.09	2,710	▲	△	■	▲	▲	△	■	▲
47" ¹⁾³⁾	1.63	2,820	□	▲	▲	▲	□	▲	▲	▲
53" ¹⁾³⁾	1.96	3,020	□	▲	▲	▲	□	▲	▲	▲
59" ¹⁾³⁾	2.29	3,220	△	▲	▲	▲	□	▲	▲	▲
65" ¹⁾³⁾	2.62	3,485	■	▲	▲	▲	△	▲	▲	▲
47" ²⁾³⁾	1.63	2,735	□	▲	▲	▲	□	▲	▲	▲
53" ²⁾³⁾	1.96	2,930	△	▲	▲	▲	□	▲	▲	▲
59" ²⁾³⁾	2.29	3,130	■	▲	▲	▲	△	▲	▲	▲
65" ²⁾³⁾	2.62	3,395	▲	▲	▲	▲	■	▲	▲	▲

* Indicated loads are based on ISO 10567 max. stick length, lifted 360° on firm

¹⁾ Bucket without quick change adapter with teeth Z 50 ²⁾ Bucket with quick change adapter with teeth Z 50

³⁾ Bucket R 944 C Litronic with teeth Z 50

Other backhoes available on request

Max. material weight □ = ≤ 3,035 lb/yd³, △ = ≤ 2,530 lb/yd³, ■ = ≤ 2,025 lb/yd³, ▲ = not authorized

Lift Capacities

with Straight Gooseneck Boom 21'4"

Stick 6'7"

Height (ft)	Under-carriage	Radius of load from centerline of machine (ft)					
		10	15	20	25	30	35
35	NLC						
	LC						
30	NLC						
	LC						
25	NLC			16,358 (17,659x)			
	LC			17,659x (17,659x)			
20	NLC	21,980x (21,980x)	15,873 (18,144x)	10,803 (16,028x)			
	LC	21,980x (21,980x)	17,328 (18,144x)	11,839 (16,028x)			
15	NLC	23,060 (25,816x)	14,881 (19,665x)	10,428 (16,491x)			
	LC	25,441 (25,816x)	16,314 (19,665x)	11,442 (16,491x)			
10	NLC	20,393 (29,983x)	13,735 (21,407x)	9,877 (15,917)			
	LC	22,708 (29,983x)	15,146 (21,407x)	10,891 (17,152x)			
5	NLC		12,853 (21,649)	9,392 (15,388)			
	LC		14,242 (22,443x)	10,406 (16,998)			
0	NLC	18,805 (28,087x)	12,390 (21,120)	9,105 (15,058)			
	LC	21,054 (28,087x)	13,779 (22,156x)	10,097 (16,667)			
- 5	NLC	18,982 (25,750x)	12,346 (20,349x)	9,105 (15,036)			
	LC	21,253 (25,750x)	13,735 (20,349x)	10,097 (16,675x)			
- 10	NLC	19,467 (20,768x)	12,655 (16,689x)				
	LC	20,768x (20,768x)	14,066 (16,689x)				
- 15	NLC						
	LC						
- 20	NLC						
	LC						
- 25	NLC						
	LC						

Stick 8'2"

Height (ft)	Under-carriage	Radius of load from centerline of machine (ft)					
		10	15	20	25	30	35
35	NLC						
	LC						
30	NLC						
	LC						
25	NLC			15,631x (15,631x)			
	LC			15,631x (15,631x)			
20	NLC		19,577x (19,577x)	16,623 (17,769x)	11,486 (14,683x)		
	LC		19,577x (19,577x)	17,769x (17,769x)	12,500 (14,683x)		
15	NLC	38,890x (38,890x)	24,383 (25,022x)	15,697 (19,489x)	11,067 (16,491x)		
	LC	38,890x (38,890x)	25,022x (25,022x)	17,152 (19,489x)	12,081 (16,491x)		
10	NLC		21,870 (29,608x)	14,595 (21,495x)	10,538 (16,579)	7,915 (11,177x)	
	LC		24,207 (29,608x)	16,028 (21,495x)	11,530 (17,394x)	8,686 (11,177x)	
5	NLC		20,172 (30,203x)	13,669 (22,509)	10,031 (16,006)	7,694 (12,170)	
	LC		22,465 (30,203x)	15,080 (22,928x)	11,023 (17,637)	8,466 (13,250x)	
0	NLC		19,621 (30,710x)	13,118 (21,870)	9,678 (15,631)		
	LC		21,892 (30,710x)	14,506 (23,104x)	10,670 (17,240)		
- 5	NLC	19,798x (19,798x)	19,643 (28,263x)	12,941 (21,671)	9,568 (15,499)		
	LC	19,798x (19,798x)	21,914 (28,263x)	14,352 (21,804x)	10,560 (16,954x)		
- 10	NLC	28,087x (28,087x)	20,018 (27,766x)	13,140 (18,739x)	9,766 (13,977x)		
	LC	28,087x (28,087x)	22,289 (27,766x)	14,528 (18,739x)	10,781 (13,977x)		
- 15	NLC			12,809x (12,809x)			
	LC			12,809x (12,809x)			
- 20	NLC						
	LC						
- 25	NLC						
	LC						

Stick 10'2"

Height (ft)	Under-carriage	Radius of load from centerline of machine (ft)					
		10	15	20	25	30	35
35	NLC						
	LC						
30	NLC			11,067x (11,067x)			
	LC			11,067x (11,067x)			
25	NLC			13,228x (13,228x)	10,185x (10,185x)		
	LC			13,228x (13,228x)	10,185x (10,185x)		
20	NLC			14,815x (14,815x)	11,662 (13,382x)		
	LC			14,815x (14,815x)	12,699 (13,382x)		
15	NLC	32,805x (32,805x)	22,752x (22,752x)	16,006 (18,188x)	11,199 (15,565x)	8,179 (10,582x)	
	LC	32,805x (32,805x)	22,752x (22,752x)	17,483 (18,188x)	12,214 (15,565x)	8,973 (10,582x)	
10	NLC		22,619 (27,624x)	14,837 (20,415x)	10,604 (16,645x)	7,915 (12,434)	
	LC		25,000 (27,624x)	16,292 (20,415x)	11,618 (16,645x)	8,686 (13,603x)	
5	NLC		20,547 (31,041x)	13,779 (22,245x)	10,009 (16,028)	7,606 (12,103)	
	LC		22,840 (31,041x)	15,190 (22,245x)	11,023 (17,549x)	8,378 (13,382)	
0	NLC	10,097x (10,097x)	19,555 (31,526x)	13,073 (21,848)	9,590 (15,543)	7,385 (11,861)	
	LC	10,097x (10,097x)	21,826 (31,526x)	14,462 (22,972x)	10,582 (17,152)	8,157 (13,118)	
- 5	NLC	18,232x (18,232x)	19,335 (29,674x)	12,765 (21,495)	9,370 (15,300)	7,319 (11,795)	
	LC	18,232x (18,232x)	21,605 (29,674x)	14,154 (22,289x)	10,362 (16,932)	8,091 (12,522x)	
- 10	NLC	27,646x (27,646x)	19,555 (25,948x)	12,809 (19,974x)	9,414 (15,322x)		
	LC	27,646x (27,646x)	21,826 (25,948x)	14,198 (19,974x)	10,428 (15,322x)		
- 15	NLC		19,952x (19,952x)	13,206 (15,454x)			
	LC		19,952x (19,952x)	14,617 (15,454x)			
- 20	NLC						
	LC						
- 25	NLC						
	LC						

Stick 12'10"

Height (ft)	Under-carriage	Radius of load from centerline of machine (ft)					
		10	15	20	25	30	35
35	NLC						
	LC						
30	NLC				7,033x (7,033x)		
	LC				7,033x (7,033x)		
25	NLC				9,744x (9,744x)		
	LC				9,744x (9,744x)		
20	NLC				10,913x (10,913x)	8,576 (8,642x)	
	LC				10,913x (10,913x)	8,642x (8,642x)	
15	NLC			13,404x (13,404x)	11,464 (12,765x)	8,333 (10,626x)	
	LC			13,404x (13,404x)	12,478 (12,765x)	9,127 (10,626x)	
10	NLC	39,220x (39,220x)	23,788 (24,736x)	15,300 (18,805x)	10,803 (15,565x)	7,981 (12,522)	
	LC	39,220x (39,220x)	24,736x (24,736x)	16,755 (18,805x)	11,817 (15,565x)	8,752 (12,699x)	
5	NLC	10,759x (10,759x)	21,297 (29,255x)	14,088 (21,098x)	10,119 (16,182)	7,606 (12,125)	5,864 (5,952x)
	LC	10,759x (10,759x)	23,634 (29,255x)	15,521 (21,098x)	11,133 (16,777x)	8,378 (13,382)	5,952x (5,952x)
0	NLC	11,817x (11,817x)	19,775 (31,284x)	13,162 (22,002)	9,568 (15,565)	7,275 (11,773)	
	LC	11,817x (11,817x)	22,068 (31,284x)	14,573 (22,487x)	10,582 (17,174)	8,069 (13,051)	
- 5	NLC	16,711x (16,711x)	19,158 (30,799x)	12,655 (21,385)	9,237 (15,168)	7,099 (11,574)	
	LC	16,711x (16,711x)	21,429 (30,799x)	14,043 (22,575x)	10,229 (16,777)	7,871 (12,831)	
- 10	NLC	23,413x (23,413x)	19,114 (28,219x)	12,500 (21,164x)	9,127 (15,088)	7,121 (11,596)	
	LC	23,413x (23,413x)	21,385 (28,219x)	13,889 (21,164x)	10,119 (16,358x)	7,893 (12,412x)	
- 15	NLC	31,482x (31,482x)	19,511 (27,523x)	12,721 (17,946x)	9,326 (13,426x)		
	LC	31,482x (31,482x)	21,782 (23,523x)	14,110 (17,946x)	10,318 (13,426x)		
- 20	NLC						
	LC						
- 25	NLC						
	LC						

Capacities are in lb and can be lifted 360° with machine on firm, supporting surface, equipped with 24" wide triple grouser pads. Capacities in (...) can be lifted over end only. Indicated capacities are based on SAE J 10567 and ISO 10567 and do not exceed 75 % of tipping and 87 % of hydraulic capacity (x). Maximum load for the quick change adapter's load hook is 26,455 lb. Without the quick change adapter, the lift capacity increases by 905 lb/1,300 lb*, without the bucket cylinder, link and lever, they increase by an additional 694 lb/990 lb*. Safe lifting capacity of the excavator is limited by machine stability, hydraulic capacity and maximum permissible load on the load hook.

* capacities for stick 6'7"

Lift Capacities

with Gooseneck Boom 19'10" and Heavy Counterweight

Stick 6'7"

Height (ft)	Under-carriage	Radius of load from centerline of machine (ft)					
		10	15	20	25	30	35
35	NLC						
	LC						
30	NLC						
	LC						
25	NLC			14,991x (14,991x)			
	LC			14,991x (14,991x)			
20	NLC		20,723x (20,723x)	17,505 (17,769x)			
	LC		20,723x (20,723x)	17,769x (17,769x)			
15	NLC		24,471x (24,471x)	16,645 (19,224x)	11,707 (16,557x)		
	LC		24,471x (24,471x)	18,166 (19,224x)	12,765 (16,557x)		
10	NLC		23,435 (29,079x)	15,609 (21,164x)	11,222 (17,262x)		
	LC		25,882 (29,079x)	17,086 (21,164x)	12,280 (17,262x)		
5	NLC		21,870 (31,482x)	14,727 (22,575x)	10,781 (17,108)		
	LC		24,273 (31,482x)	16,182 (22,575x)	11,817 (17,813x)		
0	NLC		21,429 (30,710x)	14,242 (22,752x)	10,494 (16,799)		
	LC		23,810 (30,710x)	15,697 (22,752x)	11,552 (17,699x)		
- 5	NLC	25,993x (25,993x)	21,517 (27,911x)	14,154 (21,319x)	10,516 (16,094x)		
	LC	25,993x (25,993x)	23,920 (27,911x)	15,631 (21,319x)	11,574 (16,094x)		
- 10	NLC	27,558x (27,558x)	22,024 (22,994x)	14,506 (17,637x)			
	LC	27,558x (27,558x)	22,994x (22,994x)	15,961 (17,637x)			
- 15	NLC						
	LC						
- 20	NLC						
	LC						
- 25	NLC						
	LC						

Stick 8'2"

Height (ft)	Under-carriage	Radius of load from centerline of machine (ft)					
		10	15	20	25	30	35
35	NLC						
	LC						
30	NLC						
	LC						
25	NLC					13,801x (13,801x)	
	LC					13,801x (13,801x)	
20	NLC					17,240x (17,240x)	11,266x (11,266x)
	LC					17,240x (17,240x)	11,266x (11,266x)
15	NLC					17,439 (18,916x)	12,324 (16,424x)
	LC	34,304x (34,304x)	23,501x (23,501x)	23,501x (23,501x)	18,916x (18,916x)	13,404 (16,424x)	
10	NLC					24,802 (28,484x)	16,424 (21,098x)
	LC					27,271 (28,484x)	17,924 (21,098x)
5	NLC					23,016 (31,835x)	15,521 (22,906x)
	LC					25,441 (31,835x)	16,998 (22,906x)
0	NLC					12,721x (12,721x)	22,289 (32,143x)
	LC					12,721x (12,721x)	24,692 (32,143x)
- 5	NLC					24,780x (24,780x)	22,223 (30,071x)
	LC					24,780x (24,780x)	24,604 (30,071x)
- 10	NLC					33,113x (33,113x)	22,553 (25,816x)
	LC					33,113x (33,113x)	24,956 (25,816x)
- 15	NLC					18,409x (18,409x)	
	LC					18,409x (18,409x)	
- 20	NLC						
	LC						
- 25	NLC						
	LC						

Stick 10'2"

Height (ft)	Under-carriage	Radius of load from centerline of machine (ft)					
		10	15	20	25	30	35
35	NLC						
	LC						
30	NLC						
	LC						
25	NLC						
	LC			12,610x (12,610x)			
20	NLC						
	LC			14,396x (14,396x)	11,993x (11,993x)		
15	NLC						
	LC			14,396x (14,396x)	11,993x (11,993x)		
10	NLC						
	LC			20,172x (20,172x)	17,461x (17,461x)	12,456 (15,102x)	
5	NLC						
	LC			26,896x (26,896x)	25,507 (26,257x)	16,667 (19,842x)	11,905 (16,513x)
0	NLC						
	LC			26,896x (26,896x)	26,257x (26,257x)	18,166 (19,842x)	12,963 (16,513x)
- 5	NLC						
	LC			23,413 (30,534x)	15,631 (22,024x)	11,354 (17,593x)	8,664 (12,015x)
- 10	NLC						
	LC			25,860 (30,534x)	17,108 (22,024x)	12,412 (17,593x)	9,480 (12,015x)
- 15	NLC						
	LC			14,727x (14,727x)	22,289 (32,099x)	14,903 (23,215x)	10,935 (17,262)
- 20	NLC						
	LC			14,727x (14,727x)	24,692 (32,099x)	16,380 (23,215x)	11,993 (18,166x)
- 25	NLC						
	LC			22,487x (22,487x)	21,958 (31,063x)	14,573 (22,950x)	10,737 (17,042)
- 30	NLC						
	LC			22,487x (22,487x)	24,361 (31,063x)	16,028 (22,950x)	11,773 (17,769x)
- 35	NLC						
	LC			32,474x (32,474x)	22,112 (27,778x)	14,595 (20,944x)	10,825 (15,763x)
- 40	NLC						
	LC			32,474x (32,474x)	24,515 (27,778x)	16,050 (20,944x)	11,861 (15,763x)
- 45	NLC						
	LC			28,484x (28,484x)	21,782x (21,782x)	15,036 (16,204x)	
- 50	NLC						
	LC			28,484x (28,484x)	21,782x (21,782x)	16,204x (16,204x)	

Stick 12'10"

Height (ft)	Under-carriage	Radius of load from centerline of machine (ft)					
		10	15	20	25	30	35
35	NLC						
	LC						
30	NLC						
	LC						
25	NLC						
	LC					8,818x (8,818x)	
20	NLC						
	LC					8,818x (8,818x)	
15	NLC						
	LC					10,450x (10,450x)	6,636x (6,636x)
10	NLC						
	LC					10,450x (10,450x)	6,636x (6,636x)
5	NLC						
	LC					12,963x (12,963x)	12,214x (12,214x)
0	NLC						
	LC					12,963x (12,963x)	12,214x (12,214x)
- 5	NLC						
	LC					12,214x (12,214x)	9,281x (9,281x)
- 10	NLC						
	LC					12,214x (12,214x)	9,281x (9,281x)
- 15	NLC						
	LC					12,103 (15,278x)	8,995 (11,266x)
- 20	NLC						
	LC					13,162 (15,278x)	9,811 (11,266x)
- 25	NLC						
	LC					11,464 (16,645x)	8,664 (13,228x)
- 30	NLC						
	LC					12,522 (16,645x)	9,480 (13,228x)
- 35	NLC						
	LC					16,182x (16,182x)	10,335 (13,095)
- 40	NLC						
	LC					16,182x (16,182x)	11,971 (17,659x)
- 45	NLC						
	LC					14,482 (23,016x)	10,604 (16,887)
- 50	NLC						
	LC					14,482 (23,016x)	11,640 (17,880x)
- 55	NLC						
	LC					20,569x (20,569x)	14,862 (23,016x)
- 60	NLC						
	LC					20,569x (20,569x)	14,862 (23,016x)
- 65	NLC						
	LC					21,716 (29,718x)	14,308 (22,002x)
- 70	NLC						
	LC					21,716 (29,718x)	15,763 (22,002x)
- 75	NLC						
	LC					35,252x (35,252x)	22,090 (25,309x)
- 80	NLC						
	LC					35,252x (35,252x)	24,493 (25,309x)
- 85	NLC						
	LC					14,506 (18,894x)	10,737 (13,735x)
- 90	NLC						
	LC					15,984 (18,894x)	11,795 (13,735x)

Capacities are in lb and can be lifted 360° with machine on firm, supporting surface, equipped with 24" wide triple grouser pads. Capacities in (...) can be lifted over end only. Indicated capacities are based on SAE J 10567 and ISO 10567 and do not exceed 75 % of tipping and 87 % of hydraulic capacity (x). Maximum load for the quick change adapter's load hook is 26,455 lb. Without the quick change adapter, the lift capacity increases by 905 lb/1,300 lb*, without the bucket cylinder, link and lever, they increase by an additional 694 lb/990 lb*. Safe lifting capacity of the excavator is limited by machine stability, hydraulic capacity and maximum permissible load on the load hook.

*capacities for stick 6'7"

Lift Capacities

with Hydr. Adjustable Boom 13'9" and Heavy Counterweight

Stick 6'7"

Height (ft)	Under-carriage	Radius of load from centerline of machine (ft)					
		10	15	20	25	30	35
35	NLC						
	LC						
30	NLC		18,872x (18,872x)				
	LC		18,872x (18,872x)				
25	NLC		22,068x (22,068x)	18,122 (18,938x)			
	LC		22,068x (22,068x)	18,938x (18,938x)			
20	NLC	33,687x (33,687x)	24,648x (24,648x)	17,747 (19,401x)	11,839 (16,292x)		
	LC	33,687x (33,687x)	24,648x (24,648x)	18,960 (19,401x)	12,941 (16,292x)		
15	NLC	36,641x (36,641x)	25,463 (27,514x)	17,174 (20,437x)	11,817 (16,513x)		
	LC	36,641x (36,641x)	27,205 (27,514x)	18,342x (20,437x)	12,941 (16,513x)		
10	NLC	34,899x (34,899x)	24,626x (29,476x)	16,865 (21,319x)	11,486 (16,755x)		
	LC	34,899x (34,899x)	26,301 (29,476x)	17,966x (21,319x)	12,588 (16,755x)		
5	NLC	40,433x (40,433x)	24,493 (29,608x)	16,755 (21,385x)	10,957 (16,689x)		
	LC	40,433x (40,433x)	26,301 (29,608x)	18,034x (21,385x)	12,037 (16,689x)		
0	NLC	44,467 (47,245x)	23,766 (29,983x)	15,719 (21,605x)	10,252 (16,865)		
	LC	47,245x (47,245x)	26,301 (29,983x)	17,284 (21,605x)	11,332 (16,909x)		
- 5	NLC	43,563 (49,428x)	22,796 (30,887x)	14,484 (22,267x)	9,656 (14,903x)		
	LC	49,428x (49,428x)	25,309 (30,887x)	16,006 (22,267x)	10,737 (14,903x)		
- 10	NLC	43,784 (48,061x)	22,046 (29,829x)	13,691 (18,342x)			
	LC	48,061x (48,061x)	24,537 (29,829x)	15,190 (18,342x)			
- 15	NLC	31,901x (31,901x)	16,204x (16,204x)				
	LC	31,901x (31,901x)	16,204x (16,204x)				
- 20	NLC						
	LC						
- 25	NLC						
	LC						

Stick 8'2"

Height (ft)	Under-carriage	Radius of load from centerline of machine (ft)					
		10	15	20	25	30	35
35	NLC						
	LC						
30	NLC			15,499x (15,499x)			
	LC			15,499x (15,499x)			
25	NLC			17,328x (17,328x)	16,116x (16,116x)		
	LC			17,328x (17,328x)	16,116x (16,116x)		
20	NLC			21,848x (21,848x)	18,365 (19,268x)	12,721 (15,675x)	
	LC			21,848x (21,848x)	19,268x (19,268x)	13,713x (15,675x)	
15	NLC	42,197x (42,197x)	26,500 (27,183x)	17,769 (20,525x)	12,721 (16,777x)		
	LC	42,197x (42,197x)	27,183x (27,183x)	19,004x (20,525x)	13,757 (16,777x)		
10	NLC	36,773x (36,773x)	25,353 (30,049x)	17,417 (21,738x)	12,478 (17,218x)	8,400 (13,316)	
	LC	36,773x (36,773x)	27,249 (30,049x)	18,541x (21,738x)	13,492 (17,218x)	9,237 (13,338x)	
5	NLC	40,631x (40,631x)	25,111 (30,380x)	17,439 (22,112x)	11,839 (17,262)	8,135 (13,029x)	
	LC	40,631x (40,631x)	26,963 (30,380x)	18,431 (22,112x)	12,919 (17,262x)	8,973 (13,867x)	
0	NLC	46,143x (46,143x)	24,890 (30,622x)	16,513 (22,156x)	11,155 (17,394x)	7,804 (12,699x)	
	LC	46,143x (46,143x)	27,359x (30,622x)	18,056 (22,156x)	12,236 (17,394x)	8,642 (12,699x)	
- 5	NLC	44,798 (49,957x)	23,656 (31,284x)	15,432 (22,774x)	10,472 (16,998x)		
	LC	49,957x (49,957x)	26,169 (31,284x)	16,954 (22,774x)	11,552 (16,998x)		
- 10	NLC	44,511 (49,957x)	23,237 (32,077x)	14,462 (21,231x)	10,119 (11,927x)		
	LC	49,957x (49,957x)	25,750 (32,077x)	15,961 (21,231x)	11,177 (11,927x)		
- 15	NLC	41,006x (41,006x)	22,267 (22,774x)				
	LC	41,006x (41,006x)	22,774x (22,774x)				
- 20	NLC						
	LC						
- 25	NLC						
	LC						

Stick 10'2"

Height (ft)	Under-carriage	Radius of load from centerline of machine (ft)					
		10	15	20	25	30	35
35	NLC						
	LC						
30	NLC			11,155x (11,155x)			
	LC			11,155x (11,155x)			
25	NLC			13,580x (13,580x)	10,648x (10,648x)		
	LC			13,580x (13,580x)	10,648x (10,648x)		
20	NLC		15,697x (15,697x)	15,873x (15,873x)	12,941 (14,088x)		
	LC		15,697x (15,697x)	15,873x (15,873x)	13,823x (14,088x)		
15	NLC	38,383x (38,383x)	25,463x (25,463x)	17,813x (19,555x)	12,985 (16,138x)	8,951 (11,596x)	
	LC	38,383x (38,383x)	25,463x (25,463x)	19,070 (19,555x)	13,933 (16,138x)	9,744 (11,596x)	
10	NLC	37,589x (37,589x)	25,419 (28,859x)	17,306 (21,032x)	12,831 (16,755x)	8,796 (13,514)	
	LC	37,589x (37,589x)	27,337x (28,859x)	18,519 (21,032x)	13,735 (16,755x)	9,590 (13,911x)	
5	NLC	38,316x (38,316x)	25,067x (30,181x)	17,108x (21,848x)	12,302 (17,042x)	8,400 (13,250)	
	LC	38,316x (38,316x)	26,676 (30,181x)	18,166 (21,848x)	13,338x (17,042x)	9,237 (13,867x)	
0	NLC	43,519x (43,519x)	25,045 (30,203x)	16,733 (21,848x)	11,618 (17,042x)	7,937 (12,809x)	
	LC	43,519x (43,519x)	26,896 (30,203x)	18,298 (21,848x)	12,721 (17,042x)	8,774 (13,647x)	
- 5	NLC	45,085 (48,259x)	23,832 (30,666x)	15,785 (22,179x)	10,714 (17,328)	7,606 (11,795x)	
	LC	48,259x (48,259x)	26,367 (30,666x)	17,328 (22,179x)	11,795 (17,394x)	8,422 (11,795x)	
- 10	NLC	44,247 (50,133x)	23,082 (31,747x)	14,727 (22,575x)	10,097 (15,234x)		
	LC	50,133x (50,133x)	25,596 (31,747x)	16,248 (22,575x)	11,177 (15,234x)		
- 15	NLC	44,710 (47,421x)	22,267 (28,087x)	14,088 (16,733x)			
	LC	47,421x (47,421x)	24,758 (28,087x)	15,587 (16,733x)			
- 20	NLC						
	LC						
- 25	NLC						
	LC						

Stick 12'10"

Height (ft)	Under-carriage	Radius of load from centerline of machine (ft)					
		10	15	20	25	30	35
35	NLC						
	LC						
30	NLC			10,031x (10,031x)	7,297x (7,297x)		
	LC			10,031x (10,031x)	7,297x (7,297x)		
25	NLC			10,604x (10,604x)	9,943x (9,943x)		
	LC			10,604x (10,604x)	9,943x (9,943x)		
20	NLC			11,707x (11,707x)	11,486x (11,486x)	9,083x (9,083x)	
	LC			11,707x (11,707x)	11,486x (11,486x)	9,083x (9,083x)	
15	NLC		15,499x (15,499x)	15,102x (15,102x)	12,963x (13,889x)	9,326 (11,332x)	
	LC		15,499x (15,499x)	15,102x (15,102x)	13,669x (13,889x)	10,053 (11,332x)	
10	NLC	40,830x (40,830x)	25,838 (26,874x)	17,372x (19,930x)	12,765 (16,050x)	9,149 (13,470x)	
	LC	40,830x (40,830x)	26,874x (26,874x)	18,519 (19,930x)	13,580x (16,050x)	9,921 (13,470x)	
5	NLC	37,853x (37,853x)	25,022 (29,542x)	16,976 (21,275x)	12,655 (16,667x)	8,796 (13,360x)	6,173 (7,231x)
	LC	37,853x (37,853x)	26,610 (29,542x)	18,034x (21,275x)	13,382x (16,667x)	9,656 (13,625x)	6,856 (7,231x)
0	NLC	40,675x (40,675x)	24,868 (29,851x)	16,887x (21,583x)	12,125x (16,755x)	8,356 (13,118)	
	LC	40,675x (40,675x)	26,389 (29,851x)	17,924 (21,583x)	13,184 (16,755x)	9,193 (13,625x)	
- 5	NLC	45,173x (45,173x)	24,317 (30,071x)	16,028 (21,671x)	11,288 (16,865x)	7,804 (12,610)	
	LC	45,173x (45,173x)	26,874 (30,071x)	17,571 (21,671x)	12,390 (16,865x)	8,642 (13,382x)	
- 10	NLC	44,313 (49,207x)	23,149 (30,799x)	15,278 (22,311x)	10,384 (16,887)	7,408 (10,935x)	
	LC	49,207x (49,207x)	25,662 (30,799x)	16,799 (22,311x)	11,464 (16,954x)	8,245 (10,935x)	
- 15	NLC	44,004 (49,406x)	22,774 (31,504x)	14,264 (21,186x)	9,899 (13,162x)		
	LC	49,406x (49,406x)	25,287 (31,504x)	15,785 (21,186x)	10,979 (13,162x)		
- 20	NLC	37,545x (37,545x)	21,649x (21,649x)	11,111x (11,111x)			
	LC	37,545x (37,545x)	21,649x (21,649x)	11,111x (11,111x)			
- 25	NLC						
	LC						

Capacities are in lb and can be lifted 360° with machine on firm, supporting surface, equipped with 24" wide triple grouser pads with adjusting cylinder in optimal position. Capacities in (...) can be lifted over end only. Indicated capacities are based on SAE J 10567 and ISO 10567 and do not exceed 75 % of tipping and 87 % of hydraulic capacity (x). Maximum load for the quick change adapter's load hook is 26,455 lb. Without the quick change adapter, the lift capacity increases by 905 lb/1,300 lb*, without the bucket cylinder, link and lever, they increase by an additional 694 lb/990 lb*. Safe lifting capacity of the excavator is limited by machine stability, hydraulic capacity and maximum permissible load on the load hook.

* capacities for stick 6'7"

Lift Capacities

with Hydr. Adjustable Boom 17'1" and Heavy Counterweight

Stick 6'7"

Height (ft)	Under-carriage	Radius of load from centerline of machine (ft)					
		10	15	20	25	30	35
35	NLC						
	LC						
30	NLC		21,319x (21,319)	17,461x (17,461)			
	LC		21,319x (21,319)	17,461x (17,461)			
25	NLC		22,156x (22,156)	17,593x (17,593)	12,214 (14,903x)		
	LC		22,156x (22,156)	17,593x (17,593)	13,316 (14,903x)		
20	NLC	31,217x (31,217)	24,537x (24,537)	16,954 (18,497)	12,280 (15,124x)		
	LC	31,217x (31,217)	24,537x (24,537)	18,056x (18,497)	13,162x (15,124x)		
15	NLC		23,700 (25,022x)	16,314 (19,709x)	12,081x (15,587x)	8,069 (12,853)	
	LC		25,022x (25,022x)	17,350x (19,709x)	12,875 (15,587x)	8,907 (12,985x)	
10	NLC		23,281x (25,309x)	15,851 (20,437x)	11,949x (15,895x)	7,871 (12,721x)	
	LC		24,714 (25,309x)	16,909 (20,437x)	12,743 (15,895x)	8,708 (12,963x)	
5	NLC		23,237 (27,668x)	15,873x (20,371x)	11,486 (15,829x)	7,474 (12,412)	
	LC		24,824 (27,668x)	16,887x (20,371x)	12,588 (15,829x)	8,311 (12,941x)	
0	NLC	24,802x (24,802x)	22,597 (29,013x)	15,168 (20,591x)	10,604 (15,984x)	7,121 (12,015)	
	LC	24,802x (24,802x)	25,111 (29,013x)	16,711 (20,591x)	11,685 (15,984x)	7,937 (12,787x)	
- 5	NLC	40,587x (40,587x)	21,870 (29,630x)	14,573 (21,164x)	9,744 (16,314)	6,746 (10,472x)	
	LC	40,587x (40,587x)	24,361 (29,630x)	16,094 (21,164x)	10,825 (16,402x)	7,562 (10,472x)	
- 10	NLC	42,351 (48,105x)	21,760 (30,600x)	13,911 (21,671x)	9,215 (13,845x)		
	LC	48,105x (48,105x)	24,251 (30,600x)	15,410 (21,671x)	10,274 (13,845x)		
- 15	NLC	43,607 (45,283x)	21,517 (27,007x)	13,316 (15,587x)			
	LC	45,283x (45,283x)	23,986 (27,007x)	14,815 (15,587x)			
- 20	NLC						
	LC						
- 25	NLC						
	LC						

Stick 8'2"

Height (ft)	Under-carriage	Radius of load from centerline of machine (ft)					
		10	15	20	25	30	35
35	NLC						
	LC						
30	NLC					15,785x (15,785x)	
	LC					15,785x (15,785x)	
25	NLC			18,938x (18,938x)	17,505x (17,505x)	13,051 (14,947x)	
	LC			18,938x (18,938x)	17,505x (17,505x)	14,021 (14,947x)	
20	NLC	36,685x (36,685x)	24,141x (24,141x)	17,593 (18,541x)	12,853 (15,322x)		8,973 (13,228x)
	LC	36,685x (36,685x)	24,141x (24,141x)	18,541x (18,541x)	13,757 (15,322x)		9,833 (13,228x)
15	NLC	30,203x (30,203x)	24,934 (27,712x)	16,932 (19,952x)	12,610x (15,939x)	8,995 (13,382x)	
	LC	30,203x (30,203x)	26,478x (27,712x)	18,100 (19,952x)	13,382 (15,939x)	9,833 (13,382x)	
10	NLC	22,046x (22,046x)	24,119x (26,698x)	16,491x (21,032x)	12,368 (16,424x)	8,730 (13,228)	
	LC	22,046x (22,046x)	25,772 (26,698x)	17,571x (21,032x)	13,206 (16,424x)	9,568 (13,492x)	
5	NLC	19,246x (19,246x)	23,810 (27,977x)	16,402 (21,120x)	12,324 (16,469x)	8,400 (13,184x)	
	LC	19,246x (19,246x)	25,530x (27,977x)	17,461 (21,120x)	13,206x (16,491x)	9,237 (13,448x)	
0	NLC	26,015x (26,015x)	23,766 (29,608x)	16,006 (21,231x)	11,662 (16,513x)	7,893 (12,809)	
	LC	26,015x (26,015x)	25,904 (29,608x)	17,549 (21,231x)	12,765 (16,535x)	8,730 (13,603x)	
- 5	NLC	36,068x (36,068x)	22,774 (30,159x)	15,256 (21,627x)	10,692 (16,976x)	7,430 (12,324)	
	LC	36,068x (36,068x)	25,287 (30,159x)	16,799 (21,627x)	11,773 (16,976x)	8,267 (12,677x)	
- 10	NLC	43,167 (48,502x)	22,421 (31,129x)	14,771 (22,531x)	10,031 (16,292x)		
	LC	48,502x (48,502x)	24,912 (31,129x)	16,292 (22,531x)	11,111 (16,292x)		
- 15	NLC	43,938 (47,686x)	22,289 (29,983x)	13,999 (19,268x)	9,766 (9,833x)		
	LC	47,686x (47,686x)	24,780 (29,983x)	15,499 (19,268x)	9,833x (9,833x)		
- 20	NLC	31,085x (31,085x)	16,094x (16,094x)				
	LC	31,085x (31,085x)	16,094x (16,094x)				
- 25	NLC						
	LC						

Stick 10'2"

Height (ft)	Under-carriage	Radius of load from centerline of machine (ft)					
		10	15	20	25	30	35
35	NLC			10,670x (10,670x)			
	LC			10,670x (10,670x)			
30	NLC			13,338x (13,338x)	10,979x (10,979x)		
	LC			13,338x (13,338x)	10,979x (10,979x)		
25	NLC			14,771x (14,771x)	13,140 (13,955x)	9,171 (9,392x)	
	LC			14,771x (14,771x)	13,955x (13,955x)	9,392x (9,392x)	
20	NLC	20,349x (20,349x)	17,593x (17,593x)	12,875x (14,639x)	9,392 (12,677x)		
	LC	20,349x (20,349x)	17,593x (17,593x)	13,713 (14,639x)	10,207 (12,677x)		
15	NLC	32,849x (32,849x)	25,287 (25,993x)	17,042 (19,092x)	12,500 (15,344x)	9,348 (12,941x)	
	LC	32,849x (32,849x)	25,993x (25,993x)	18,210x (19,092x)	13,360 (15,344x)	10,207 (12,941x)	
10	NLC	26,918x (26,918x)	24,074 (27,161x)	16,380 (20,459x)	12,236x (16,006x)	9,171 (13,051)	6,217 (10,119)
	LC	26,918x (26,918x)	25,772 (27,161x)	17,483 (20,459x)	12,985x (16,006x)	10,009 (13,184x)	6,900 (11,111)
5	NLC	27,999x (27,999x)	23,722 (27,558x)	16,226 (20,922x)	12,192 (16,270x)	8,796 (12,941)	6,019 (9,899)
	LC	27,999x (27,999x)	25,375 (27,558x)	17,306 (20,922x)	12,941x (16,270x)	9,634 (13,228x)	6,702 (10,935)
0	NLC	26,433x (26,433x)	23,788 (28,947x)	16,204 (20,900x)	11,751 (16,226x)	8,179 (13,051x)	5,732 (9,634)
	LC	26,433x (26,433x)	25,507 (28,947x)	17,262 (20,900x)	12,853 (16,226x)	9,017 (13,228x)	6,415 (10,384x)
- 5	NLC	32,695x (32,695x)	22,884 (29,564x)	15,300 (21,186x)	11,177 (16,469x)	7,628 (12,544)	
	LC	32,695x (32,695x)	25,397 (29,564x)	16,843 (21,186x)	12,258 (16,469x)	8,466 (13,404x)	
- 10	NLC	41,976x (41,976x)	22,289 (30,380x)	14,815 (21,870x)	10,252 (16,821)	7,253 (11,616x)	
	LC	41,976x (41,976x)	24,780 (30,380x)	16,336 (21,870x)	11,332 (16,954x)	8,069 (11,616x)	
- 15	NLC	43,167 (48,590x)	22,289 (31,107x)	14,154 (21,561x)	9,700 (13,845x)		
	LC	48,590x (48,590x)	24,780 (31,107x)	15,675 (21,561x)	10,759 (13,845x)		
- 20	NLC	40,345x (40,345x)	21,738 (23,435x)	12,743x (12,743x)			
	LC	40,345x (40,345x)	23,435x (23,435x)	12,743x (12,743x)			
- 25	NLC						
	LC						

Stick 12'10"

Height (ft)	Under-carriage	Radius of load from centerline of machine (ft)					
		10	15	20	25	30	35
35	NLC					7,187x (7,187x)	
	LC					7,187x (7,187x)	
30	NLC					10,009x (10,009x)	6,548x (6,548x)
	LC					10,009x (10,009x)	6,548x (6,548x)
25	NLC			10,979x (10,979x)		11,133x (11,133x)	9,524x (9,766x)
	LC			10,979x (10,979x)		11,133x (11,133x)	9,766x (9,766x)
20	NLC			13,029x (13,029x)	12,853x (12,897x)	9,722 (11,685x)	6,790 (7,738x)
	LC			13,029x (13,029x)	12,897x (12,897x)	10,428 (11,685x)	7,430 (7,738x)
15	NLC	36,972x (36,972x)	23,722x (23,722x)	17,262 (17,880x)	12,522 (14,551x)	9,612x (12,346x)	6,812 (10,229x)
	LC	36,972x (36,972x)	23,722x (23,722x)	17,880x (17,880x)	13,404 (14,551x)	10,229 (12,346x)	7,452 (10,229x)
10	NLC	30,424x (30,424x)	24,229 (27,249x)	16,424 (19,533x)	12,103x (15,366x)	9,458x (12,743x)	6,680 (10,384)
	LC	30,424x (30,424x)	26,081 (27,249x)	17,571 (19,533x)	12,919 (15,366x)	10,053 (12,743x)	7,319 (10,847x)
5	NLC	28,814x (28,814x)	23,656x (27,029x)	16,072 (20,547x)	11,861 (15,939x)	9,237 (12,743x)	6,371 (10,141)
	LC	28,814x (28,814x)	25,221x (27,029x)	17,152 (20,547x)	12,677 (15,939x)	10,009 (12,963x)	7,055 (10,825x)
0	NLC	28,903x (28,903x)	23,347 (28,021x)	15,873 (20,613x)	11,949 (15,961x)	8,730 (12,699)	6,019 (9,833)
	LC	28,903x (28,903x)	25,067 (28,021x)	16,932 (20,613x)	12,743 (15,961x)	9,590 (12,941x)	6,702 (10,825)
- 5	NLC	30,424x (30,424x)	23,281 (28,925x)	15,499 (20,723x)	11,244 (16,028x)	8,025 (12,897)	5,666 (9,502)
	LC	30,424x (30,424x)	25,419 (28,925x)	17,042 (20,723x)	12,346 (16,028x)	8,863 (13,073x)	6,327 (10,340x)
- 10	NLC	36,396x (36,396x)	22,311 (29,542x)	14,771 (21,164x)	10,781 (16,469x)	7,430 (12,368)	
	LC	36,396x (36,396x)	24,802 (29,542x)	16,314 (21,164x)	11,861 (16,469x)	8,267 (13,162x)	
- 15	NLC	42,549 (45,349x)	21,958 (30,666x)	14,506 (22,179x)	9,811 (16,204x)	7,033 (10,053x)	
	LC	45,349x (45,349x)	24,449 (30,666x)	16,028 (22,179x)	10,869 (16,204x)	7,871 (10,053x)	
- 20	NLC	43,431 (47,113x)	21,892 (29,277x)	13,735 (19,004x)	9,480 (10,318x)		
	LC	47,113x (47,113x)	24,383 (29,277x)	15,256 (19,004x)	10,318x (10,318x)		
- 25	NLC	26,544x (26,544x)					
	LC	26,544x (26,544x)					

Capacities are in lb and can be lifted 360° with machine on firm, supporting surface, equipped with 24" wide triple grouser pads with adjusting cylinder in optimal position. Capacities in (...) can be lifted over end only. Indicated capacities are based on SAE J 10567 and ISO 10567 and do not exceed 75 % of tipping and 87 % of hydraulic capacity (x). Maximum load for the quick change adapter's load hook is 26,455 lb. Without the quick change adapter, the lift capacity increases by 905 lb/1,300 lb*, without the bucket cylinder, link and lever, they increase by an additional 694 lb/990 lb*. Safe lifting capacity of the excavator is limited by machine stability, hydraulic capacity and maximum permissible load on the load hook.

* capacities for stick 6'7"

Lift Capacities

with Straight Gooseneck Boom 21'4" and Heavy Counterweight

Stick 6'7"

Height (ft)	Under-carriage	Radius of load from centerline of machine (ft)					
		10	15	20	25	30	35
35	NLC						
	LC						
30	NLC						
	LC						
25	NLC			17,659x (17,659x)			
	LC			17,659x (17,659x)			
20	NLC	21,980x (21,980x)	17,284 (18,144x)	11,883 (16,028x)			
	LC	21,980x (21,980x)	18,144x (18,144x)	12,941 (16,028x)			
15	NLC	25,111 (25,816x)	16,292 (19,665x)	11,486 (16,491x)			
	LC	25,816x (25,816x)	17,791 (19,665x)	12,566 (16,491x)			
10	NLC	22,443 (29,983x)	15,146 (21,407x)	10,957 (17,152x)			
	LC	24,890 (29,983x)	16,623 (21,407x)	12,015 (17,152x)			
5	NLC		14,242 (22,443x)	10,472 (16,799)			
	LC		15,719 (22,443x)	11,508 (17,571x)			
0	NLC	20,856 (28,087x)	13,801 (22,156x)	10,185 (16,469)			
	LC	23,237 (28,087x)	15,256 (22,156x)	11,222 (17,240x)			
- 5	NLC	21,032 (25,750x)	13,757 (20,349x)	10,163 (15,675x)			
	LC	23,413 (25,750x)	15,212 (20,349x)	11,199 (15,675x)			
- 10	NLC	20,768x (20,768x)	14,066 (16,689x)				
	LC	20,768x (20,768x)	15,521 (16,689x)				
- 15	NLC						
	LC						
- 20	NLC						
	LC						
- 25	NLC						
	LC						

Stick 8'2"

Height (ft)	Under-carriage	Radius of load from centerline of machine (ft)					
		10	15	20	25	30	35
35	NLC						
	LC						
30	NLC						
	LC						
25	NLC			15,631x (15,631x)			
	LC			15,631x (15,631x)			
20	NLC		19,577x (19,577x)	17,769x (17,769x)	12,544 (14,683x)		
	LC		19,577x (19,577x)	17,769x (17,769x)	13,625 (14,683x)		
15	NLC	38,890x (38,890x)	25,022x (25,022x)	17,108 (19,489x)	12,147 (16,491x)		
	LC	38,890x (38,890x)	25,022x (25,022x)	18,629 (19,489x)	13,206 (16,491x)		
10	NLC		23,920 (29,608x)	16,006 (21,495x)	11,596 (17,394x)	8,774 (11,177x)	
	LC		26,389 (29,608x)	17,505 (21,495x)	12,655 (17,394x)	9,590 (11,177x)	
5	NLC		22,245 (30,203x)	15,080 (22,928x)	11,089 (17,417)	8,554 (13,250x)	
	LC		24,648 (30,203x)	16,535 (22,928x)	12,125 (18,056x)	9,348 (13,250x)	
0	NLC		21,694 (30,710x)	14,528 (23,104x)	10,737 (17,042)		
	LC		24,074 (30,710x)	15,984 (23,104x)	11,795 (18,034x)		
- 5	NLC	19,798x (19,798x)	21,716 (28,263x)	14,352 (21,804x)	10,648 (16,909)		
	LC	19,798x (19,798x)	24,097 (28,263x)	15,807 (21,804x)	11,685 (16,954x)		
- 10	NLC	20,067x (28,067x)	22,068 (23,766x)	14,528 (18,393x)	10,847 (13,977x)		
	LC	20,067x (28,067x)	23,766x (23,766x)	16,006 (17,739x)	11,883 (13,977x)		
- 15	NLC			12,809x (12,809x)			
	LC			12,809x (12,809x)			
- 20	NLC						
	LC						
- 25	NLC						
	LC						

Stick 10'2"

Height (ft)	Under-carriage	Radius of load from centerline of machine (ft)					
		10	15	20	25	30	35
35	NLC						
	LC						
30	NLC			11,067x (11,067x)			
	LC			11,067x (11,067x)			
25	NLC			13,228x (13,228x)	10,185x (10,185x)		
	LC			13,228x (13,228x)	10,185x (10,185x)		
20	NLC			14,815x (14,815x)	12,721 (13,382x)		
	LC			14,815x (14,815x)	13,382x (13,382x)		
15	NLC	32,805x (32,805x)	22,752x (22,752x)	17,417 (18,188x)	12,258 (15,565x)	9,039 (10,582x)	
	LC	32,805x (32,805x)	22,752x (22,752x)	18,188x (18,188x)	13,338 (15,565x)	9,877 (10,582x)	
10	NLC		24,692 (27,624x)	16,248 (20,415x)	11,662 (16,645x)	8,774 (13,536)	
	LC		27,183 (27,624x)	17,747 (20,415x)	12,721 (16,645x)	9,590 (13,603x)	
5	NLC		22,597 (31,041x)	15,190 (22,245x)	11,089 (17,439)	8,466 (13,206)	
	LC		25,022 (31,041x)	16,667 (22,245x)	12,125 (17,549x)	9,281 (14,484)	
0	NLC	10,097x (10,097x)	21,627 (31,526x)	14,484 (22,972x)	10,648 (16,954)	8,245 (12,963)	
	LC	10,097x (10,097x)	24,008 (31,526x)	15,939 (22,972x)	11,685 (17,902x)	9,061 (14,242)	
- 5	NLC	18,232x (18,232x)	21,407 (29,674x)	14,176 (22,289x)	10,428 (16,711)	8,179 (12,522x)	
	LC	18,232x (18,232x)	23,788 (29,674x)	15,631 (22,289x)	11,486 (17,328x)	8,995 (12,522x)	
- 10	NLC	27,646x (27,646x)	21,605 (25,948x)	14,220 (19,974x)	10,494 (15,322x)		
	LC	27,646x (27,646x)	24,008 (25,948x)	15,675 (19,974x)	11,530 (15,322x)		
- 15	NLC		19,952x (19,952x)	14,617 (15,454x)			
	LC		19,952x (19,952x)	15,454x (15,454x)			
- 20	NLC						
	LC						
- 25	NLC						
	LC						

Stick 12'10"

Height (ft)	Under-carriage	Radius of load from centerline of machine (ft)					
		10	15	20	25	30	35
35	NLC						
	LC						
30	NLC				7,033x (7,033x)		
	LC				7,033x (7,033x)		
25	NLC				9,744x (9,744x)		
	LC				9,744x (9,744x)		
20	NLC				10,913x (10,913x)	8,642x (8,642x)	
	LC				10,913x (10,913x)	8,642x (8,642x)	
15	NLC			13,404x (13,404x)	12,522 (12,765x)	9,193 (10,626x)	
	LC			13,404x (13,404x)	12,765x (12,765x)	10,009 (10,626x)	
10	NLC	39,220x (39,220x)	24,736x (24,736x)	16,711 (18,805x)	11,861 (15,565x)	8,841 (12,699x)	
	LC	39,220x (39,220x)	24,736x (24,736x)	18,232 (18,805x)	12,919 (15,565x)	9,656 (12,699x)	
5	NLC	10,759x (10,759x)	23,369 (29,255x)	15,499 (21,098x)	11,177 (16,777x)	8,466 (13,228)	5,952x (5,952x)
	LC	10,759x (10,759x)	25,816 (29,255x)	16,976 (21,098x)	12,236 (16,777x)	9,281 (14,088x)	5,952x (5,952x)
0	NLC	11,817x (11,817x)	21,848 (31,284x)	14,573 (22,487x)	10,648 (16,976)	8,157 (12,875)	
	LC	11,817x (11,817x)	24,251 (31,284x)	16,050 (22,487x)	11,685 (17,549x)	8,951 (14,154)	
- 5	NLC	16,711x (16,711x)	21,231 (30,799x)	14,066 (22,575x)	10,296 (16,579)	7,959 (12,677)	
	LC	16,711x (16,711x)	23,612 (30,799x)	15,521 (22,575x)	11,332 (17,505x)	8,774 (13,955)	
- 10	NLC	23,413x (23,413x)	21,186 (28,219x)	13,911 (21,164x)	10,207 (16,358x)	7,981 (12,412x)	
	LC	23,413x (23,413x)	23,567 (28,219x)	15,366 (21,164x)	11,244 (16,358x)	8,796 (12,412x)	
- 15	NLC	31,482x (31,482x)	21,561 (23,523x)	14,110 (17,946x)	10,384 (13,426x)		
	LC	31,482x (31,482x)	23,523x (23,523x)	15,587 (17,946x)	11,442 (13,426x)		
- 20	NLC						
	LC						
- 25	NLC						
	LC						

Capacities are in lb and can be lifted 360° with machine on firm, supporting surface, equipped with 24" wide triple grouser pads. Capacities in (...) can be lifted over end only. Indicated capacities are based on SAE J 10567 and ISO 10567 and do not exceed 75 % of tipping and 87 % of hydraulic capacity (x). Maximum load for the quick change adapter's load hook is 26,455 lb. Without the quick change adapter, the lift capacity increases by 905 lb/1,300 lb*, without the bucket cylinder, link and lever, they increase by an additional 694 lb/990 lb*. Safe lifting capacity of the excavator is limited by machine stability, hydraulic capacity and maximum permissible load on the load hook.

* capacities for stick 6'7"

Available Buckets

Stick 8'2" / 10'2" / 12'10"

Mounting	Execution	Width (in)	Capacity (yd ³)	Teeth	Number of teeth	Weight (lb)
Direct	STD	33"	0.98	Z 50	3	1,785
Direct	STD	33"	0.98	Z 50	4	1,850
Direct	STD	41"	1.31	Z 50	4	2,070
Direct	STD	49"	1.63	Z 50	5	2,360
Direct	STD	55"	1.90	Z 50	5	2,515
Direct	STD	61"	2.09	Z 50	5	2,670
Direct	HD	33"	0.98	Z 50	3	2,070
Direct	HD	33"	0.98	Z 50	4	2,140
Direct	HD	41"	1.31	Z 50	4	2,425
Direct	HD	49"	1.63	Z 50	5	2,755
Direct	HD	55"	1.90	Z 50	5	2,955
Direct	HD	61"	2.09	Z 50	5	3,155
Direct	STD	33"	1.11	Cutting edge	/	1,785
Direct	STD	41"	1.44	Cutting edge	/	2,005
Direct	STD	49"	1.83	Cutting edge	/	2,270
Direct	STD	55"	2.09	Cutting edge	/	2,445
Direct	STD	61"	2.35	Cutting edge	/	2,625
Direct	HD	33"	1.11	Cutting edge	/	2,070
Direct	HD	41"	1.44	Cutting edge	/	2,335
Direct	HD	49"	1.83	Cutting edge	/	2,645
Direct	HD	55"	2.09	Cutting edge	/	2,865
Direct	HD	61"	2.35	Cutting edge	/	3,085
SW 66	STD	31"	0.92	Z 50	3	1,810
SW 66	STD	41"	1.31	Z 50	4	2,115
SW 66	STD	49"	1.63	Z 50	5	2,405
SW 66	STD	55"	1.90	Z 50	5	2,555
SW 66	STD	61"	2.09	Z 50	5	2,710
SW 66	HD	31"	0.92	Z 50	3	2,115
SW 66	HD	41"	1.31	Z 50	4	2,470
SW 66	HD	49"	1.63	Z 50	5	2,800
SW 66	HD	55"	1.90	Z 50	5	3,000
SW 66	HD	61"	2.09	Z 50	5	3,195
SW 66	STD	31"	0.98	Cutting edge	/	1,785
SW 66	STD	41"	1.44	Cutting edge	/	2,050
SW 66	STD	49"	1.83	Cutting edge	/	2,295
SW 66	STD	55"	2.09	Cutting edge	/	2,490
SW 66	STD	61"	2.35	Cutting edge	/	2,670
SW 66	HD	31"	0.98	Cutting edge	/	2,070
SW 66	HD	41"	1.44	Cutting edge	/	2,380
SW 66	HD	49"	1.83	Cutting edge	/	2,690
SW 66	HD	55"	2.09	Cutting edge	/	2,910
SW 66	HD	61"	2.35	Cutting edge	/	3,130

Stick 6'7"

Mounting	Execution	Width (in)	Capacity (yd ³)	Teeth	Number of teeth	Weight (lb)
Direct	STD	47"	1.63	Z 50	4	2,820
Direct	STD	53"	1.96	Z 50	4	3,020
Direct	STD	59"	2.29	Z 50	4	3,220
Direct	STD	65"	2.62	Z 50	5	3,485
Direct	STD	65"	2.94	Z 50	5	3,725
Direct	HD	47"	1.63	Z 50	4	3,040
Direct	HD	53"	1.96	Z 50	4	3,240
Direct	HD	59"	2.29	Z 50	4	3,440
Direct	HD	65"	2.62	Z 50	5	3,750
Direct	HD	65"	2.94	Z 50	5	4,010
SW 66	STD	41"	1.31	Z 50	4	2,535
SW 66	STD	47"	1.63	Z 50	4	2,735
SW 66	STD	53"	1.96	Z 50	4	2,930
SW 66	STD	59"	2.29	Z 50	4	3,130
SW 66	STD	65"	2.62	Z 50	5	3,395
SW 66	STD	65"	2.94	Z 50	5	3,640
SW 66	HD	41"	1.31	Z 50	4	2,710
SW 66	HD	47"	1.63	Z 50	4	2,955
SW 66	HD	53"	1.96	Z 50	4	3,155
SW 66	HD	59"	2.29	Z 50	4	3,350
SW 66	HD	65"	2.62	Z 50	5	3,660
SW 66	HD	65"	2.94	Z 50	5	3,925

Equipment



Undercarriage

Two-stage travel motors	•
Idler protection	•
Lifetime lubricated track rollers	•
Track guide at each track frame	•
Tracks sealed and greased	•
Track guides at sprocket and in center	+
Reinforced bottom plate of center-piece	+



Uppercarriage

Engine hood with lift help and mechanical locking	•
Lockable tool box	•
Handrails, non slip surfaces	•
Maintenance-free swing brake lock	•
Maintenance-free HD-batteries	•
Sound insulation	•
Extended tool kit	•
Electric fuel tank filler pump	+
Foot pedal swing positioning brake	+
Customized colors	+
Heavy counterweight	+



Hydraulics

Electronic pump regulation	•
Stepless work mode selector	•
Pressure storage for controlled lowering of attachments with engine turned off	•
Hydraulic tank shut-off valve	•
Pressure compensation	•
Flow compensation	•
Filter with integrated fine filter area (5 µm)	•
Pressure test ports	•
Additional hydraulic circuits	+
Bio-degradable hydr. oil	+
Filter for secondary circuit	+
Liebherr Tool Control	+



Engine

Direct injection	•
Turbo charger	•
Dry-type air cleaner w/pre-cleaner, main and safety element	•
Sensor controlled engine idling	•
Engine cold starting aid	+

• = Standard, + = Option

Options and/or special attachments, supplied by vendors other than Liebherr, are only to be installed with the knowledge and approval of Liebherr to retain warranty.



Operator's Cab

Load bearing sectional profile structure, covered with deep-drawn panels	•
Roof window and windshield armored	•
All tinted windows	•
Right window made of one piece (without post)	•
Door with sliding window	•
Rain hood over front window opening	•
Wiper/washer	•
Emergency exit rear window	•
Sun roller blind	•
Seat and consoles independently adjustable (6-way adjustable seat)	•
Storage tray	•
Closed storage space	•
Cloth hook	•
Removable customized foot mat	•
Dome light	•
Inside rear mirror	•
Cigarette lighter and ashtray	•
Seat belt	•
Mechanical hour meters, readable from outside the cab	•
Displays for engine operating condition	•
Automatic air conditioning with defroster	•
Preparation for radio installation	•
Stereo radio	+
Electric cool box	+
Sun visor	+
Auxiliary heating	+
Additional flood lights (rear)	+
Wiper for lower window	+
Roof window wiper	+
Bullet proof window (fixed installation – can not be opened)	+
FOPS Protection	+
Air pressure operator seat with heating and head-rest	+
Electronic drive away lock	+
Beacon	+
Extinguisher	+



Attachment

Semi-automatic central lubrication system (except link and tilt geometry)	•
Cylinders with shock absorbers	•
ReGeneration plus	•
SAE split flanges on all high pressure lines	•
Work light on boom	•
Sealed pivots/Y sealant between bucket and stick	•
26,455 lb lifting hook with safety link on quick-coupler	•
Automatic central lubrication system (except link and tilt geometry)	+
Central lubrication for lever with protection cover	+
Stick sealed (between bucket and stick)	+
Overload warning device	+
Hydr. or mechanical quick change coupler	+
Likufix	+
Piston rod protection	+
Hydraulic lines for additional tools	+
Quick disconnect hose couplers for additional tools	+
Hydr. lines, on stick, for clam operation/two-way selector valves for bucket/clam	+
Bucket link holder for clam application	+
Liebherr line of buckets and Liebherr line of grapples	+
Special application buckets	+
Customized colors	+
26,455 lb lifting hook on bucket	+

All illustrations and data may differ from standard equipment. Subject to change without notice. All indicated loads are based in accordance with ISO 9248.

The Liebherr Group of Companies

Wide product range

The Liebherr Group is one of the largest construction equipment manufacturers in the world. Liebherr's high-value products and services enjoy a high reputation in many other fields, too. The wide range includes domestic appliances, aerospace and transportation systems, machine tools and maritime cranes.

Exceptional customer benefit

Every product line provides a complete range of models in many different versions. With both their technical excellence and acknowledged quality, Liebherr products offer a maximum of customer benefits in practical application.

State-of-the-art technology

To provide consistent, top quality products, Liebherr attaches great importance to each product area, its components and core technologies. Important modules and components are developed and manufactured in-house, for instance the entire drive and control technology for construction equipment and mining trucks.

Worldwide and independent

Hans Liebherr founded the Liebherr family company in 1949. Since that time, the enterprise has steadily grown to a group of more than 100 companies with over 32,000 employees located on all continents. The corporate headquarters of the Group is Liebherr-International AG in Bulle, Switzerland. The Liebherr family is the sole owner of the company.

www.liebherr.us



Printed in Germany by Typodruck RG-BK-RP LFR/SP 11067775-1-11.10_enUS

Liebherr Construction Equipment Co.

4100 Chestnut Avenue, Newport News, VA 23607, USA

☎ +1 (757) 245 5251, Fax +1 (757) 928 8701

www.liebherr.us, E-Mail: info.lce@liebherr.com