

Crawler Excavator

R 944 C
Litronic®

Operating Weight: 38,500 - 46,300 kg
Engine Output: 190 kW / 258 HP
Bucket Capacity: 1.00 - 2.50 m³



LIEBHERR

R 944 C

Litronic

Operating Weight: 38,500 - 46,300 kg

Engine Output: 190 kW / 258 HP

Bucket Capacity: 1.00 - 2.50 m³



Performance

Liebherr crawler excavators feature state-of-the-art technology and high-quality workmanship. The most important components of the drive system are all produced by Liebherr and are perfectly coordinated with one another. The engine generation, as further developed for the "C-series", assures an effective power delivery, a high degree of efficiency, long life expectancy and complies with the emission standard IIIA / Tier 3.

Reliability

High demand for performance and quality is consequently converted into landmark solutions to achieve the highest level of dependability and reliability. Liebherr has over 50 years experience in the production of hydraulic excavators and has an unparalleled competence in design and know-how.

Comfort

In the operator's station, the operator can look forward to a comfortable workstation that is designed according to the most up-to-date ergonomically know-how. The standard automatic climate control provides a pleasant working environment in all weather conditions.

Liebherr crawler excavators are particularly service-friendly: Maintenance work is simply and quickly accomplished due to well accessible service points.

Economy

Liebherr crawler excavators stand for maximum productivity. The sensitive excavator controls assure optimal efficiency in the interaction of excavator hydraulics and electronics. A wide selection of attachments, accessory tools and undercarriages with various dimensions provide the correct choice for every application.





Liebherr Diesel Engine

- Specifically designed for construction equipment
- Maximum output at low engine speed
- Long life expectancy
- Incline lubrication capability for an up to 100% grade
- LIDEC-Engine Control – Liebherr Diesel Engine Control
- State-of-the-art technology with common rail injection system
- Electronically regulation of injection-amount and-timing
- Complies with emission standard IIIA / Tier 3



Performance

Liebherr crawler excavators feature state-of-the-art technology and high-quality workmanship. The most important components of the drive system are all produced by Liebherr factories and are perfectly coordinated to each other. The engine generation, as further developed for the “C-series”, assures an effective power delivery, a high degree of efficiency, long life expectancy and complies with the emission standard IIIA / Tier 3.

High Productivity

High digging and break-out forces

The R 944 C features high digging and break-out forces due to optimal attachment geometry. The remarkable forces are especially accomplished with the utilization of large-size stick and bucket cylinders.

Regeneration Plus

The feature “Regeneration Plus“ guarantees quicker attachment lowering, less pressure loss and more safety. A high productivity is achieved due to the optimizing and consolidating of the functions “pressure-less lowering”, “regeneration” and “load holding valves” in connection with a high hydraulic output.

Liebherr Engine Technology

Liebherr Diesel Power

The 6-cylinder in-line engine, developed for the R 944 C with the new common rail injection assures an effective power output, a high efficiency and a long life expectancy. Already at a low speed range the engine develops a high output and contributes substantially to the economical operation of the entire machine.

Emission reduces combustion

The new engine generation with optimal performance density assures for a more environmentally-friendly fuel combustion. Higher ignition pressures and the newly designed injection technology guarantee the compliance with the emission standard IIIA / Tier 3.

Heavy-duty undercarriage

- An extensive undercarriage selection for every application: mechanically or hydraulically adjustable, various track- gages and -lengths
- Combination of high-strength steel plates with steel castings for a smooth stress flow



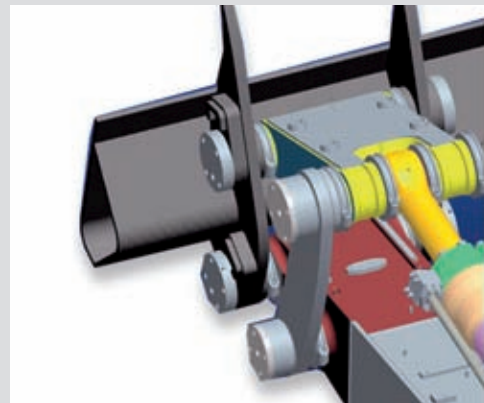
Multi-function tool carrier

- For every material and application the correct digging tool
- Change-over of mechanical and hydraulic tool in a matter of seconds due to a modular quick coupler system designed and manufactured by Liebherr:
- Likufix for the change-over of all hydraulic and mechanical tools from the dash board in the operator station
- Liebherr quick coupler adapter for the change-over of mechanical tools



Optional modular particle filter

- Particle filter to reduce nanoparticle emissions
- Consisting of: Intake module, filter module, exit module and muffler module
- VERT-certificate



Reliability

The high demand for performance and quality is consequently converted into landmark solutions to achieve the highest level of dependability and availability. Liebherr has 50 years experience in the production of hydraulic excavators and has an unparalleled competence in design and know-how.

Technology with a vision

Optimized hydraulics

External bypass lines at the control valve apply the oil flow to the appropriate attachment functions. The optimal hose routing from the control valve to the attachment substantially increases the dependability of the hydraulic system.

Power pack

The individual components of the drive unit (i.e. construction equipment engine, travel and swing gearboxes, main pumps and hydraulic cylinders), produced by sister companies of Liebherr are coordinated to fit each other perfectly. They guarantee maximum dependability as an integral part of the total system which is designed for long life expectancy.

Quality to the last detail

The clearly laid out routing of the hydraulic, lubrication and electrical lines assures the highest reliability and performance of the machine. Optimal corrosion protection is achieved with pre-painted and surface-treated parts.

Heavy-duty attachments with long-term advantage

Robust attachment concept

With the utilization of steel castings at every pivot point, the attachment is consistently able to withstand the most server demands.

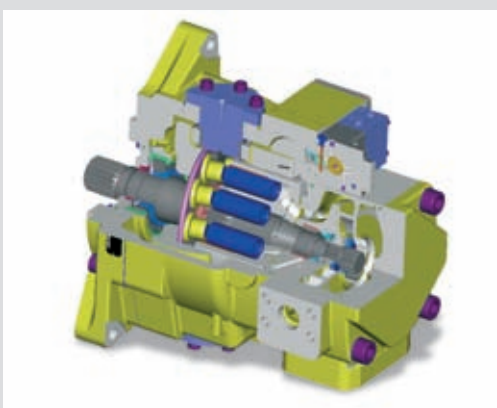
Optimized stress flow

The swing ring tower is made from one piece, which transfers the forces – following the principal of “stress flow design” - into the undercarriage. For lasting protection against dirt and damage, Liebherr swing rings are sealed and have internal teeth.



Bucket linkage

- Optional sealed linkage bearings
- Optimal protection for under-water work
- Increased life expectancy of the attachment



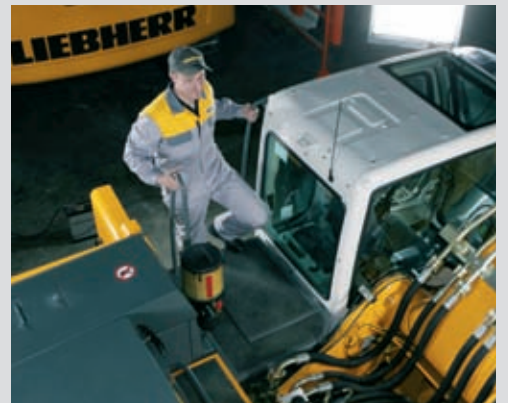
Key components made by Liebherr

- All components are perfectly suited for the construction equipment application
- Engines, hydraulic pumps and motors, swing and travel gearboxes as well as electronic elements from in-house production
- Manufacturing centers for components in Germany and Switzerland produce according to the latest production methods



Hydraulic reservoir stop valve

- Easy and quick interruption of the oil circuit between hydraulic reservoir and hydraulic system
- No drainage of fluid necessary for service or repair work on the hydraulic system



Comfort

In the operator station, the operator can look forward to a comfortably appointed workstation that is designed according to the most up-to-date ergonomically know-how. The standard automatic climate control provides a pleasant working environment at any weather condition.

Liebherr crawler excavators are particularly service-friendly: maintenance work is simply and quickly accomplished due to well accessible service points.

Standard maintenance advantage

Easy accessibility

All service points are easily accessible and the R 944 C features a central lubrication point as a standard feature. Daily preventive maintenance can be completed in a short period of time.

Maintenance friendly track components

Top rollers, track rollers and track link pins are lubricated for the life of the excavator. The grease cylinder of the idler tensioner is sealed against dirt.

Work place with feel-well character

Optimal visibility

The operator station's generously-sized windows provide outstanding visibility of the work and surrounding area.

Well thought-out arrangement

Design and arrangement of the seat, controls and displays are perfectly tuned to each other in an ergonomically-integrated concept. The operator's seat has shock-absorbing suspension and is adjustable to the individual preference of each operator.

Easy operation

The control consoles and information display are arranged within clear view of the operator and are easy to reach. New joysticks, with reduced operating force, are ergonomically shaped and allow pleasant and fatigue-free work.



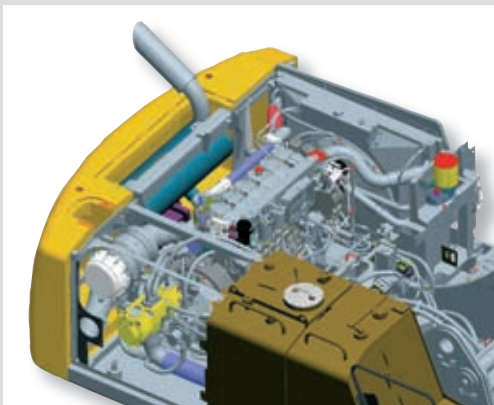
Easy access

- Comfortably positioned ascents on both sides provide good accessibility to all service points
- Ergonomically positioned hand rails ensure secure ascent and descent
- Additional hand rails guarantee maximum safety



Liebherr Operator's station

- Generously-sized windows allow for optimal visibility
- Right-side window without vertical center post
- Standard automatic climate control
- Operator's seat is individually adjustable and includes a shock-absorbing cushion
- Lockable storage behind seat



Hydrostatic fan drive

- The cooling system consists of two hydrostatically driven fans
- Thermostatically regulated fan speed via engine oil and coolant temperature
- Accelerated warm-up period
- Assurance of steady fluid quality due to constant temperature
- Increased longevity of drive components
- Fan only takes-off the needed power, reducing fuel consumption



Economy

Liebherr crawler excavators stand for a maximum of productivity. The sensitive excavator controls assure an optimal efficiency in the interaction of excavator hydraulics and –electronics. A wide selection of attachments, accessory tools and varied dimensioned undercarriages provide the correct choice for each application.

Top technology for maximum profitability

Electronic engine speed sensing control

This regulating system causes an efficient conversion of the engine output in hydraulic performance – which results in better utilization of the available engine power. The result: higher digging forces, shorter cycle times and lower fuel consumption.

Liebherr Tool-Management-System

A unique range of digging tools and quick coupler modules guarantee an economical advantage for jobs with frequent tool changes. Based on years and years of field experience, all components of the Liebherr Tool-Management System originate from its own research and production.

Outstanding parts availability

Quick spare parts supply

80,000 line items are always in stock for the global part requirements. Emergency part orders are shippable within 24 hours.

Professional help on-call

Liebherr's customer service is accessible on a 24/7 basis. Qualified professionals are available around the clock to respond to all questions from part supplies to repair advise.

Extensive service packages

Custom-tailored service packages guarantee service with individually-focused technical and logistical attention. Liebherr provides solutions with components from remanufactured repair or rebuild programs for every requirement – manufactured to maintain genuine quality.



New bucket shape

- The new L-shape features a longer bottom and a strongly waved side cutters
- Particularly suitable for applications in rocky conditions as well as for loading hard and coarse material
- Ideal for placing rip-rap on embankments



Liebherr Tool-Control

- Immediately after change of the hydraulic tool, the programmed pressure settings and oil flow volumes are available
- Stores up to 10 accessory tool settings (pressure and oil flow)
- Displays the type of accessory tool

Technical Data



Engine

Rating per ISO 9249	190 kW (258 HP) at 1,800 RPM
Model	Liebherr D 936 L
Type	6 cylinder in-line
Bore/Stroke	122/150 mm
Displacement	10.5 l
Engine operation	4-stroke diesel unit pump system turbo-charged and after-cooled reduced emissions
Cooling	water-cooled and integrated motor oil cooler
Air cleaner	dry-type air cleaner with pre-cleaner, primary and safety elements, automatic dust discharge
Fuel tank	660 l
Standard	sensor controlled engine idling
Electrical system	
Voltage	24 V
Batteries	2 x 170 Ah/12 V
Starter	24 V/6.6 kW
Alternator	three phase current 28 V/80 A



Hydraulic System

Hydraulic pump for attachment and travel drive	two Liebherr variable flow, swash plate pumps
Max. flow	2 x 303 l/min.
Max. pressure	350 bar
Pump regulation	electro-hydraulic with electronic engine speed sensing regulation, pressure compensation, flow compensation, automatic oil flow optimizer
Hydraulic pump for swing drive	reversible, variable flow, swash plate pump, closed-loop circuit
Max. flow	205 l/min.
Max. pressure	370 bar
Hydraulic tank	460 l
Hydraulic system	710 l
Hydraulic oil filter	2 full flow filters in return line with integrated fine filter area (5 µm)
Hydraulic oil cooler	cooler unit, consisting of radiator for engine coolant with after-cooler core, for hydraulic fluid with hydrostatically controlled fan drive
MODE selection	adjustment of machine performance and the hydraulics via a mode selector to match application
ECO	for especially economical and environmentally friendly operation
POWER	for maximum digging power and heavy duty jobs
LIFT	for lifting
FINE	for precision work and lifting through very sensitive movements
RPM adjustment	stepless adjustment of engine output via the rpm at each selected mode
Liebherr Tool Control	ten preadjustable pump flows and pressures for add on tools (option)



Hydraulic Controls

Power distribution	via monoblock control valve with integrated safety valves
Flow summation	to boom and stick
Closed-loop circuit	for uppercarriage swing drive
Servo circuit	
Attachment and swing	proportional via joystick levers
Travel	– proportional via foot pedals or removable hand levers – speed pre-selection
Additional functions	via foot pedals or joystick toggle switch



Swing Drive

Drive by	Liebherr swash plate motor
Transmission	Liebherr compact planetary reduction gear
Swing ring	Liebherr, sealed single race ball bearing swing ring, internal teeth
Swing speed	0 – 8 RPM stepless
Swing torque	125 kNm
Holding brake	wet multi-disc (spring applied, pressure released)
Option	pedal controlled positioning brake



Operator's Cab

Cab	built from deep drawn components, resiliently mounted, sound insulated, tinted windows, front window stores overhead, door with sliding window
Operator's seat	shock absorbing suspension, adjustable to operator's weight, 6-way adjustable seat
Joysticks	integrated into adjustable seat consoles
Monitoring	menu driven query of current operating conditions via the LCD display. Automatic monitoring, display, warning (acoustical and optical signal) and saving machine malfunction data, for example, engine overheating, low engine oil pressure or low hydraulic oil level
Heating system	standard air conditioning, combined cooler/heater, additional dust filter in fresh air/recirculated
Noise emission	
ISO 6396	L _{pA} (inside cab) = 75 dB(A)
2000/14/EC	L _{WA} (surround noise) = 105 dB(A)



Undercarriage

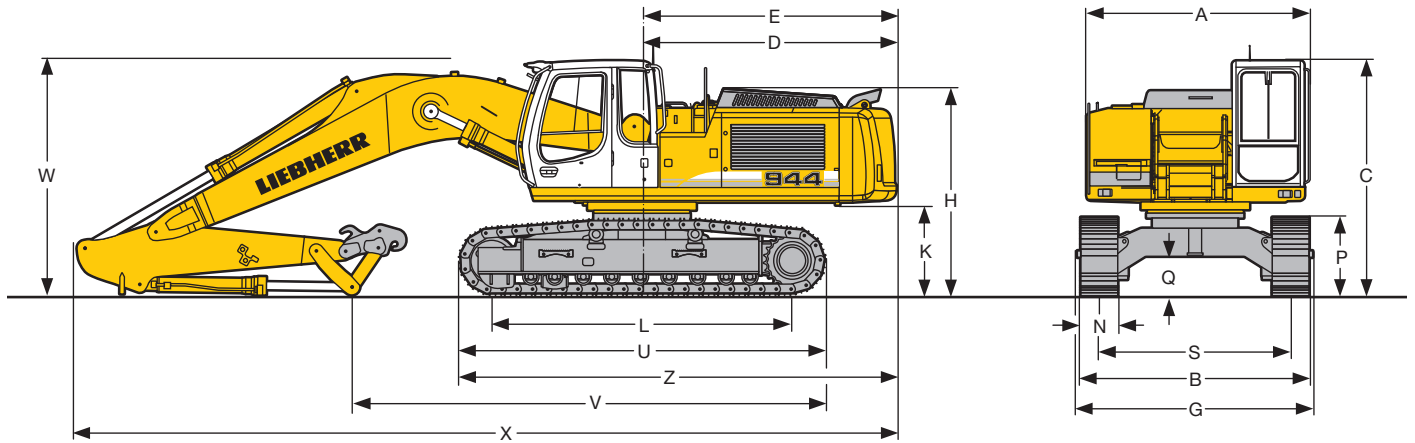
Versions	
NLC	heavy duty, narrow gauge
LC	heavy duty, wide gauge
S-HD	super-HD-undercarriage for extreme and very tough applications, e.g. quarries
Drive	Liebherr swash plate motors with integrated brake valves on both sides
Transmission	Liebherr planetary reduction gears
Travel speed	NLC/LC: low range – 3.6 km/h high range – 5.6 km/h S-HD: low range – 2.8 km/h high range – 4.1 km/h
Drawbar pull max.	NLC/LC: 241 kN S-HD: 326 kN
Track components	NLC/LC: D 7, maintenance-free S-HD: D 7 G, maintenance-free
Track rollers/Carrier rollers	9/2
Tracks	sealed and greased
Track pads	triple grouser
Digging locks	wet multi-discs (spring applied, pressure released)
Brake valves	integrated into travel motor



Attachment

Type	combination of resistant steel plates and cast steel components
Hydraulic cylinders	Liebherr cylinders with special seal-system, shock absorbed
Pivots	sealed, low maintenance
Lubrication	semi-automatic central lubrication system (excepting the connector bracket and shifting lever for the digging tool)
Hydraulic connections	pipes and hoses equipped with SAE split-flange connections
Bucket	fitted as standard with Liebherr tooth system

Dimensions

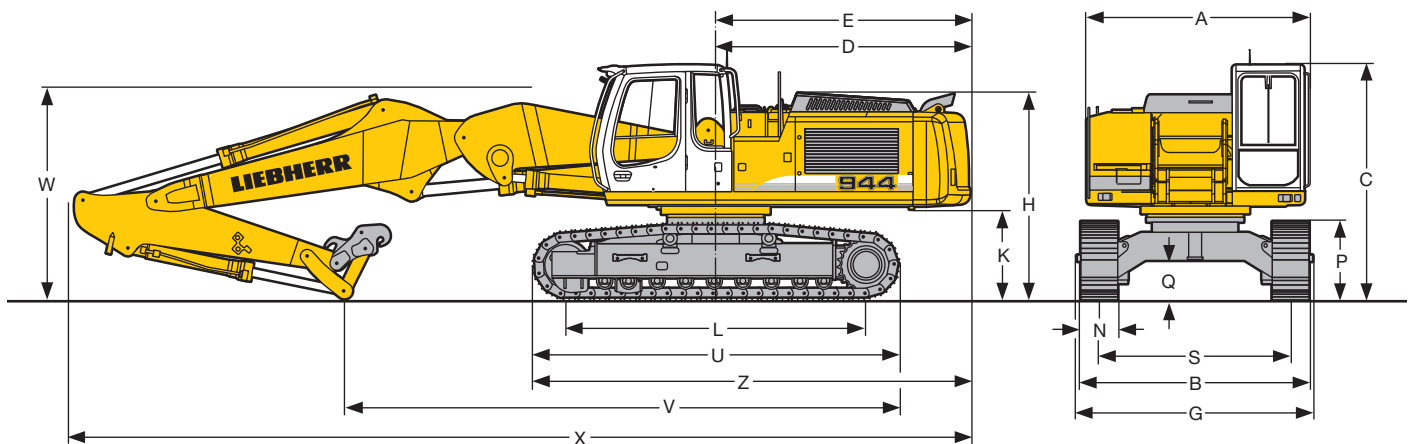


	NLC			LC			S-HD		
	mm			mm			mm		
A	3,060			3,060			3,060		
C	3,210			3,210			3,275		
D	3,471			3,471			3,471		
E	3,471			3,471			3,471		
H	2,820			2,820			2,885		
K	1,230			1,230			1,300		
L	4,108			4,108			4,400		
P	1,070			1,070			1,170		
Q	539			539			540		
U	5,030			5,030			5,378		
S	2,390			2,590			2,900		
N	500	600	750	500	600	750	500	600	750
B	2,890	2,990	3,140	3,090	3,190	3,340	3,400	3,500	3,650
G	2,982	2,982	3,282	3,182	3,182	3,482	3,732	3,732	3,732
Z	5,990			5,990			6,170		

	Stick Length	Gooseneck Boom 6.45 m	Hydraulically Adjustable Boom 4.30 m	Straight Gooseneck Boom 6.80 m
	m	mm	mm	mm
V ¹⁾	2.10	7,000	8,000	7,350
V ²⁾	2.10	7,150	8,250	7,600
V ¹⁾	2.60	6,450	7,600	7,000
V ²⁾	2.60	6,650	7,800	7,200
V ¹⁾	3.30	5,800	7,050	6,400
V ²⁾	3.30	6,050	7,250	6,650
V ¹⁾	4.10	8,100	6,200	5,600
V ²⁾	4.10	8,300	6,400	5,800
W ¹⁾	2.10	3,200	2,750	2,950
W ²⁾	2.10	3,300	2,800	3,050
W ¹⁾	2.60	3,250	2,900	2,900
W ²⁾	2.60	3,300	2,900	2,950
W ¹⁾	3.30	3,250	3,100	3,100
W ²⁾	3.30	3,350	3,100	3,150
W ¹⁾	4.10	3,250	3,150	3,150
W ²⁾	4.10	3,300	3,150	3,200
X ¹⁾	2.10	11,350	12,400	11,750
X ²⁾	2.10	11,350	12,400	11,750
X ¹⁾	2.60	11,200	12,300	11,700
X ²⁾	2.60	11,200	12,300	11,700
X ¹⁾	3.30	11,250	12,350	11,750
X ²⁾	3.30	11,250	12,350	11,750
X ¹⁾	4.10	11,300	12,350	11,750
X ²⁾	4.10	11,300	12,350	11,750

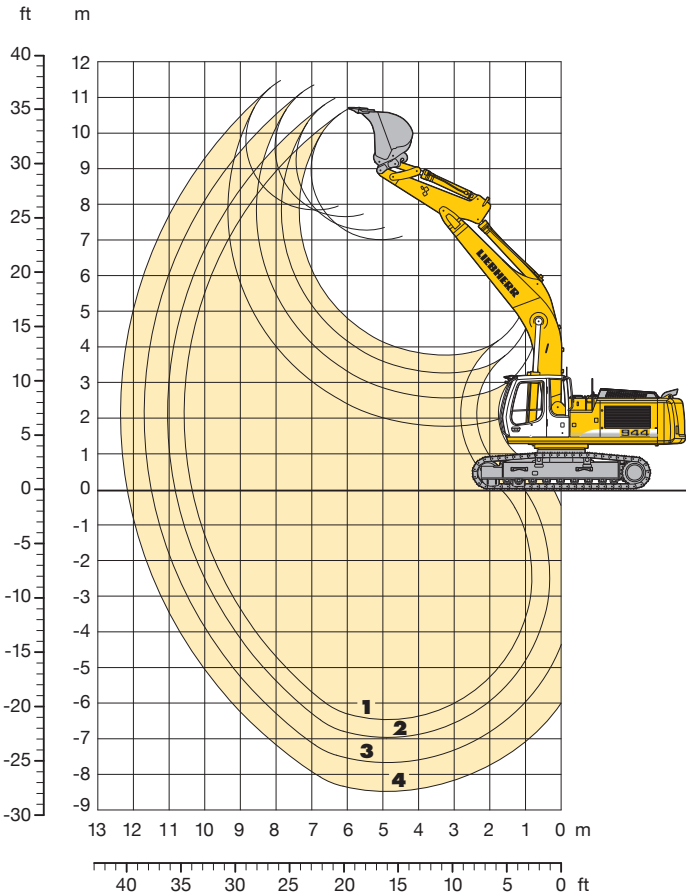
¹⁾ NLC-/LC-Undercarriage

²⁾ S-HD-Undercarriage



Backhoe Attachment

with Gooseneck Boom 6.45 m



Digging Envelope with Quick Change Adapter

		1	2	3	4
Stick length	m	2.10	2.60	3.30	4.10
Max. digging depth	m	6.45	6.95	7.65	8.45
Max. reach at ground level	m	10.35	10.85	11.50	12.20
Max. dump height	m	7.00	7.25	7.65	7.85
Max. teeth height	m	10.65	10.95	11.35	11.45

Digging Forces with Quick Change Adapter

		1	2	3	4
Digging force ISO	kN	212	187	161	139
	t	21.6	19.1	16.4	14.2
Breakout force ISO	kN	205	205	205	205
	t	20.9	20.9	20.9	20.9

without Quick Change Adapter

Digging force ISO	kN	224	197	168	144
	t	22.8	20.1	17.1	14.7
Breakout force ISO	kN	234	234	234	234
	t	23.9	23.9	23.9	23.9

Max. breakout force with ripper bucket and without quick change adapter 300 kN (30.6 t)

Operating Weight and Ground Pressure

Operating weight includes basic machine with gooseneck boom 6.45 m, stick 2.60 m, quick change adapter 66 and bucket 1.75 m³.

		NLC			LC			S-HD		
		500	600	750	500	600	750	500	600	750
Pad width	mm	500	600	750	500	600	750	500	600	750
Weight	kg	38,500	38,950	39,600	38,600	39,050	39,700	42,500	43,000	44,250
Ground pressure	kg/cm ²	0.87	0.73	0.60	0.87	0.73	0.60	0.90	0.76	0.62

Optional: heavy counterweight
(Heavy counterweight increases the operating weight by 1,300 kg and ground pressure by 0.03 kg/cm²)

Buckets Machine stability per ISO 10567* (75% of tipping capacity)

Cutting width mm	Capacity ISO 7451 m ³	Weight kg	NLC-Undercarriage				LC-Undercarriage				S-HD-Undercarriage			
			Stick length (m)				Stick length (m)				Stick length (m)			
			2.10	2.60	3.30	4.10	2.10	2.60	3.30	4.10	2.10	2.60	3.30	4.10
1,200 ¹⁾	1.25	1,280	□	□	□	□	□	□	□	□	□	□	□	
1,350 ¹⁾	1.50	1,370	□	□	□	□	□	□	□	□	□	□	□	
1,500 ¹⁾	1.75	1,460	□	□	□	△	□	□	△	□	□	□	△	
1,650 ¹⁾	2.00	1,580	□	□	△	■	□	△	■	□	□	□	■	
1,650 ¹⁾	2.25	1,690	□	△	■	▲	□	△	■	▲	□	□	△	
1,850 ¹⁾	2.50	1,810	△	■	▲	▲	△	■	▲	▲	□	□	■	
1,200 ²⁾	1.25	1,240	□	□	□	□	□	□	□	□	□	□	□	
1,350 ²⁾	1.50	1,330	□	□	□	△	□	□	△	□	□	□	△	
1,500 ²⁾	1.75	1,420	□	□	△	■	□	□	■	□	□	□	■	
1,650 ²⁾	2.00	1,540	□	△	■	▲	□	△	▲	□	□	□	▲	
1,650 ²⁾	2.25	1,650	△	■	▲	▲	□	△	■	▲	□	□	△	
1,850 ²⁾	2.50	1,770	■	▲	▲	▲	△	■	▲	▲	□	□	■	

* Indicated loads are based on ISO 10567 max. stick length, lifted 360° on firm

¹⁾ Bucket without quick change adapter with teeth Z 50 ²⁾ Bucket with quick change adapter with teeth Z 50

Other backhoes available on request

Max. material weight □ = ≤ 1.8 t/m³, △ = ≤ 1.5 t/m³, ■ = ≤ 1.2 t/m³, ▲ = not authorized

Lift Capacities

with Gooseneck Boom 6.45 m

Stick 2.10 m

Height (m)	Under-carriage	Radius of load from centerline of machine (m)					
		3.0	4.5	6.0	7.5	9.0	10.5
12.0	NLC						
	LC						
	S-HD						
10.5	NLC						
	LC						
	S-HD						
9.0	NLC						
	LC						
	S-HD						
7.5	NLC			9.3# (9.3#)			
	LC			9.3# (9.3#)			
	S-HD			9.4# (9.4#)			
6.0	NLC			9.8 (9.8#)	6.8 (8.8#)		
	LC			9.8# (9.8#)	7.3 (8.6#)		
	S-HD			9.9# (9.9#)	8.8# (8.8#)		
4.5	NLC		14.0 (14.3#)	9.2 (10.9#)	6.5 (9.1#)		
	LC		14.3# (14.3#)	10.0 (10.9#)	7.1 (9.1#)		
	S-HD		14.5# (14.5#)	10.9# (10.9#)	8.7 (9.2#)		
3.0	NLC		12.5 (17.0#)	8.5 (12.0#)	6.2 (9.7#)		
	LC		13.8 (17.0#)	9.3 (12.0#)	6.7 (9.7#)		
	S-HD		17.1# (17.1#)	11.5 (12.1#)	8.3 (9.7#)		
1.5	NLC		11.7 (16.9#)	8.0 (12.8#)	5.9 (10.0#)		
	LC		13.0 (16.9#)	8.8 (12.8#)	6.4 (10.0#)		
	S-HD		16.6 (16.9#)	11.0 (12.8#)	8.0 (10.0#)		
0	NLC		11.6 (17.0#)	7.7 (12.8#)	5.7 (10.0#)		
	LC		12.9 (17.0#)	8.5 (12.8#)	6.3 (10.0#)		
	S-HD		16.4 (17.0#)	10.7 (12.8#)	7.9 (10.0#)		
-1.5	NLC	16.2# (16.2#)	11.6 (15.5#)	7.7 (12.1#)	5.7 (9.4#)		
	LC	16.2# (16.2#)	12.9 (15.5#)	8.4 (12.1#)	6.2 (9.4#)		
	S-HD	16.7# (16.7#)	15.4# (15.4#)	10.7 (12.0#)	7.8 (9.3#)		
-3.0	NLC	15.3# (15.3#)	11.9 (13.1#)	7.8 (10.3#)			
	LC	15.3# (15.3#)	13.1# (13.1#)	8.6 (10.3#)			
	S-HD	15.1# (15.1#)	12.9# (12.9#)	10.2# (10.2#)			
-4.5	NLC		9.1# (9.1#)				
	LC		9.1# (9.1#)				
	S-HD		8.8# (8.8#)				
-6.0	NLC						
	LC						
	S-HD						

Stick 2.60 m

Height (m)	Under-carriage	Radius of load from centerline of machine (m)					
		3.0	4.5	6.0	7.5	9.0	10.5
12.0	NLC						
	LC						
	S-HD						
10.5	NLC						
	LC						
	S-HD						
9.0	NLC						
	LC						
	S-HD						
7.5	NLC				6.3# (6.3#)		
	LC				6.3# (6.3#)		
	S-HD				6.7# (6.7#)		
6.0	NLC			9.2# (9.2#)	6.9 (8.2#)		
	LC			9.2# (9.2#)	7.4 (8.2#)		
	S-HD			9.2# (9.2#)	8.2# (8.2#)		
4.5	NLC	21.0# (21.0#)	13.2# (13.2#)	9.3 (10.3#)	6.6 (8.7#)	4.8 (6.1#)	
	LC	21.0# (21.0#)	13.2# (13.2#)	10.1 (10.3#)	7.1 (8.7#)	5.3 (6.1#)	
	S-HD	21.5# (21.5#)	13.4# (13.4#)	10.3# (10.3#)	8.7# (8.7#)	6.3# (6.3#)	
3.0	NLC		12.9 (16.0#)	8.6 (11.5#)	6.2 (9.3#)	4.7 (8.0#)	
	LC		14.2 (16.0#)	9.4 (11.5#)	6.8 (9.3#)	5.1 (8.0#)	
	S-HD		16.2# (16.2#)	11.6# (11.6#)	8.4 (9.3#)	6.4 (8.0#)	
1.5	NLC		11.9 (17.6#)	8.0 (12.5#)	5.9 (9.8#)	4.5 (7.9)	
	LC		13.2 (17.6#)	8.8 (12.5#)	6.4 (9.8#)	4.9 (8.0)	
	S-HD		16.8 (17.6#)	11.0 (12.5#)	8.0 (9.8#)	6.2 (8.2#)	
0	NLC		11.5 (17.5#)	7.7 (12.8#)	5.7 (10.0#)	4.4 (7.8)	
	LC		12.8 (17.5#)	8.5 (12.8#)	6.2 (10.0#)	4.8 (7.9)	
	S-HD	7.3# (7.3#)	16.4 (17.4#)	10.7 (12.8#)	7.8 (10.0#)	6.1 (8.0#)	
-1.5	NLC	14.6# (14.6#)	11.5 (16.3#)	7.6 (12.3#)	5.6 (9.6#)		
	LC	14.6# (14.6#)	12.8 (16.3#)	8.3 (12.3#)	6.1 (9.6#)		
	S-HD	15.0# (15.0#)	16.2# (16.2#)	10.6 (12.3#)	7.7 (9.6#)		
-3.0	NLC	18.0# (18.0#)	11.7 (14.2#)	7.6 (11.0#)	5.7 (8.3#)		
	LC	18.0# (18.0#)	13.0 (14.2#)	8.4 (11.0#)	6.2 (8.3#)		
	S-HD	17.8# (17.8#)	14.0# (14.0#)	10.7 (10.9#)	7.8 (8.2#)		
-4.5	NLC	13.1# (13.1#)	10.7# (10.7#)	7.9 (8.2#)			
	LC	13.1# (13.1#)	10.7# (10.7#)	8.2# (8.2#)			
	S-HD	12.7# (12.7#)	10.5# (10.5#)	8.0# (8.0#)			
-6.0	NLC						
	LC						
	S-HD						

Stick 3.30 m

Height (m)	Under-carriage	Radius of load from centerline of machine (m)					
		3.0	4.5	6.0	7.5	9.0	10.5
12.0	NLC						
	LC						
	S-HD						
10.5	NLC						
	LC						
	S-HD						
9.0	NLC						
	LC						
	S-HD						
7.5	NLC				7.1 (7.3#)		
	LC				7.3# (7.3#)		
	S-HD				7.3# (7.3#)		
6.0	NLC				7.0 (7.5#)	5.0 (5.5#)	
	LC				7.5# (7.5#)	5.4 (5.5#)	
	S-HD				7.5# (7.5#)	5.7# (5.7#)	
4.5	NLC			9.3# (9.3#)	6.6 (8.0#)	4.9 (7.2#)	
	LC			9.3# (9.3#)	7.2 (8.0#)	5.3 (7.2#)	
	S-HD			9.4# (9.4#)	8.1# (8.1#)	6.5 (7.3#)	
3.0	NLC	8.7# (8.7#)	13.4 (14.6#)	8.8 (10.7#)	6.3 (8.7#)	4.7 (7.6#)	
	LC	8.7# (8.7#)	14.6# (14.6#)	9.6 (10.7#)	6.8 (8.7#)	5.1 (7.6#)	
	S-HD	8.0# (8.0#)	14.7# (14.7#)	10.8# (10.8#)	8.4 (8.8#)	6.3 (7.6#)	
1.5	NLC		12.1 (16.8#)	8.1 (11.9#)	5.9 (9.4#)	4.4 (7.9#)	
	LC		13.4 (16.8#)	8.9 (11.9#)	6.4 (9.4#)	4.9 (7.9#)	
	S-HD		16.9# (16.9#)	11.1 (12.0#)	8.0 (9.4#)	6.1 (7.9#)	
0	NLC	8.6# (8.6#)	11.5 (17.5#)	7.7 (12.6#)	5.6 (9.8#)	4.3 (7.7)	
	LC	8.6# (8.6#)	12.8 (17.5#)	8.4 (12.6#)	6.1 (9.8#)	4.7 (7.7)	
	S-HD	8.8# (8.8#)	16.3 (17.5#)	10.6 (12.6#)	7.7 (9.8#)	6.0 (8.0#)	
-1.5	NLC	13.2# (13.2#)	11.3 (16.9#)	7.4 (12.5#)	5.4 (9.7#)	4.2 (7.6)	
	LC	13.2# (13.2#)	12.6 (16.9#)	8.2 (12.5#)	6.0 (9.7#)	4.6 (7.7)	
	S-HD	13.4# (13.4#)	16.2 (16.8#)	10.4 (12.4#)	7.6 (9.7#)	5.9 (7.6#)	
-3.0	NLC	18.7# (18.7#)	11.4 (15.3#)	7.4 (11.5#)	5.4 (8.9#)		
	LC	18.7# (18.7#)	12.6 (15.3#)	8.2 (11.5#)	6.0 (8.9#)		
	S-HD	19.0# (19.0#)	15.2# (15.2#)	10.4 (11.5#)	7.6 (8.8#)		
-4.5	NLC	16.5# (16.5#)	11.7 (12.5#)	7.6 (9.5#)	5.6 (6.8#)		
	LC	16.5# (16.5#)	12.5# (12.5#)	8.4 (9.5#)	6.2 (6.8#)		
	S-HD	16.2# (16.2#)	12.9# (12.9#)	9.4# (9.4#)			
-6.0	NLC		7.7# (7.7#)				
	LC		7.7# (7.7#)				
	S-HD		7.4# (7.4#)				

Stick 4.10 m

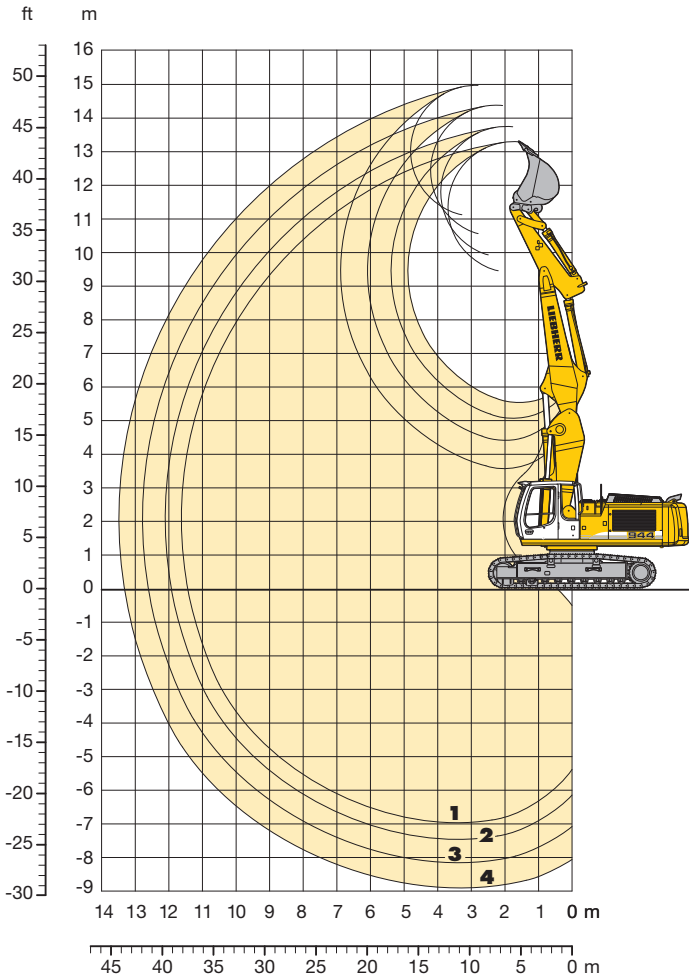
Height (m)	Under-carriage	Radius of load from centerline of machine (m)					
		3.0	4.5	6.0	7.5	9.0	10.5
12.0	NLC						
	LC						
	S-HD						
10.5	NLC						
	LC						
	S-HD						
9.0	NLC						
	LC						
	S-HD						
7.5	NLC					3.9# (3.9#)	
	LC					3.9# (3.9#)	
	S-HD					4.1# (4.1#)	
6.0	NLC					5.1 (6.0#)	
	LC					5.5 (6.0#)	
	S-HD					6.0# (6.0#)	
4.5	NLC					6.8 (7.2#)	4.9 (6.6#)
	LC					7.2# (7.2#)	5.4 (6.6#)
	S-HD					7.3# (7.3#)	6.6 (6.6#)
3.0	NLC	20.4# (20.4#)	12.8# (12.8#)	9.0 (9.7#)	6.4 (8.0#)	4.7 (7.0#)	3.5 (4.2#)
	LC	20.4# (20.4#)	12.8# (12.8#)	9.7# (9.7#)	6.9 (8.0#)	5.1 (7.0#)	3.9 (4.2#)
	S-HD	20.8# (20.8#)	12.9# (12.9#)	9.8# (9.8#)	8.1# (8.1#)	6.4 (7.0#)	4.2# (4.2#)
1.5	NLC	10.2# (10.2#)	12.6 (15.6#)	8.3 (11.1#)	5.9 (8.8#)	4.4 (7.4#)	3.4 (4.7#)
	LC	10.2# (10.2#)	13.9 (15.6#)	9.1 (11.1#)	6.5 (8.8#)	4.9 (7.4#)	3.7 (4.7#)
	S-HD	10.0# (10.0#)	15.7# (15.7#)	11.2# (11.2#)	8.1 (8.9#)	6.1 (7.5#)	4.7# (4.7#)
0	NLC	10.1# (10.1#)	11.6 (17.1#)	7.7 (12.1#)	5.6 (9.4#)	4.2 (7.7)	3.3 (3.9#)
	LC	10.1# (10.1#)	12.9 (17.1#)	8.5 (12.1#)	6.1 (9.4#)	4.6 (7.7)	3.6 (3.9#)
	S-HD	10.2# (10.2#)	16.5 (17.1#)	10.7 (12.1#)	7.7 (9.4#)	5.9 (7.7#)	
-1.5	NLC	12.8# (12.8#)	11.2 (17.2#)	7.3 (12.4#)	5.3 (9.6#)	4.1 (7.5)	
	LC	12.8# (12.8#)	12.5 (17.2#)	8.1 (12.4#)	5.9 (9.6#)	4.5 (7.5)	
	S-HD	13.0# (13.0#)	16.0 (17.2#)	10.3 (12.4#)	7.5 (9.6#)	5.8 (7.7#)	
-3.0	NLC	16.7# (16.7#)	11.1 (16.2#)	7.2 (12.0#)	5.2 (9.2#)	4.0 (7.2#)	
	LC	16.7# (16.7#)	12.4 (16.2#)	8.0 (12.0#)	5.8 (9.2#)	4.5 (7.2#)	
	S-HD	16.9# (16.9#)	16.0 (16.1#)	10.2 (11.9#)	7.4 (9.2#)	5.7 (7.1#)	
-4.5	NLC	19.8# (19.8#)	11.3 (14.1#)	7.3 (10.6#)	5.3 (8.0#)		
	LC	19.8# (19.8#)	12.5 (14.1#)	8.1 (10.6#)	5.9 (8.0#)		
	S-HD	19.6# (19.6#)	14.0# (14.0#)	10.3 (10.5#)	7.5 (7.9#)		
-6.0	NLC	14.1# (14.1#)	10.5# (10.5#)	7.6 (7.8#)			
	LC	14.1# (14.1#)	10.5# (10.5#)	7.8# (7.8#)			
	S-HD	13.7# (13.7#)	10.2# (10.2#)	7.6# (7.6#)			

The lift capacities on the load hook of the Liebherr quick change adapter 66 without attachment are stated in metric tonnes (t), and can be lifted 360° on firm, level supporting surface. Values quoted in brackets are valid for the undercarriage when in longitudinal position. Capacities are valid for 600 mm wide triple grouser pads. Indicated loads are based on ISO 10567 standard and do not exceed 75% of tipping or 87% of hydraulic capacity (indicated via #). Maximum load for the quick change adapter's load hook is 18 t. Without quick change adapter the lift capacities will increase by 450 kg, without bucket cylinder, link and lever they increase by an additional 590 kg. Lifting capacity of the excavator is limited by machine stability, hydraulic capacity and maximum permissible load of the load hook.

According to European Standard, EN 474-5: In the European Union excavators have to be equipped with an overload warning device, a load diagram and automatic check valves on the hoist cylinders, when they are used for lifting operations which require the use of lifting accessories.

Backhoe Attachment

with Hydr. Adjustable Boom 4.30 m



Digging Envelope with Quick Change Adapter

		1	2	3	4
Stick length	m	2.10	2.60	3.30	4.10
Max. digging depth	m	6.95	7.45	8.15	8.90
Max. reach at ground level	m	11.40	11.90	12.60	13.30
Max. dump height	m	9.45	9.90	10.45	11.10
Max. teeth height	m	13.25	13.70	14.35	14.95

Digging Forces with Quick Change Adapter

		1	2	3	4
Digging force ISO	kN	212	187	161	139
	t	21.6	19.1	16.4	14.2
Breakout force ISO	kN	205	205	205	205
	t	20.9	20.9	20.9	20.9

without Quick Change Adapter

Digging force ISO	kN	224	197	168	144
	t	22.8	20.1	17.1	14.7
Breakout force ISO	kN	234	234	234	234
	t	23.9	23.9	23.9	23.9

Max. breakout force with ripper bucket and without quick change adapter

300 kN (30.6 t)

Operating Weight and Ground Pressure

Operating weight includes basic machine with hydraulically adjustable boom 4.30 m, stick 2.60 m, quick change adapter 66 and bucket 1.25 m³.

Undercarriage		NLC			LC			S-HD		
Pad width	mm	500	600	750	500	600	750	500	600	750
Weight	kg	40,550	41,000	41,650	40,650	41,100	41,750	44,550	45,050	46,300
Ground pressure	kg/cm ²	0.92	0.77	0.63	0.92	0.77	0.63	0.94	0.79	0.65

Optional: heavy counterweight
(Heavy counterweight increases the operating weight by 1,300 kg and ground pressure by 0.03 kg/cm²)

Buckets Machine stability per ISO 10567* (75% of tipping capacity)

Cutting width mm	Capacity ISO 7451 m ³	Weight kg	NLC-Undercarriage				LC-Undercarriage				S-HD-Undercarriage			
			Stick length (m)				Stick length (m)				Stick length (m)			
			2.10	2.60	3.30	4.10	2.10	2.60	3.30	4.10	2.10	2.60	3.30	4.10
1,050 ¹⁾	1.00	1,220	□	□	□	△	□	□	□	□	□	□	□	
1,200 ¹⁾	1.25	1,280	□	□	△	■	□	□	△	□	□	□	□	
1,350 ¹⁾	1.50	1,370	□	△	■	▲	□	□	△	■	□	□	□	
1,500 ¹⁾	1.75	1,460	△	■	▲	▲	□	△	■	▲	□	□	□	
1,650 ¹⁾	2.00	1,580	■	▲	▲	▲	△	■	▲	▲	□	□	△	
1,650 ¹⁾	2.25	1,690	▲	▲	▲	▲	■	▲	▲	▲	□	△	■	
1,850 ¹⁾	2.50	1,810	▲	▲	▲	▲	▲	▲	▲	▲	△	■	▲	
1,050 ²⁾	1.00	1,150	□	□	□	△	□	□	□	□	□	□	□	
1,200 ²⁾	1.25	1,240	□	□	△	■	□	□	△	□	□	□	□	
1,350 ²⁾	1.50	1,330	△	△	■	▲	□	△	△	■	□	□	□	
1,500 ²⁾	1.75	1,420	■	■	▲	▲	△	■	▲	▲	□	□	□	
1,650 ²⁾	2.00	1,540	▲	▲	▲	▲	■	▲	▲	▲	□	△	■	
1,650 ²⁾	2.25	1,650	▲	▲	▲	▲	▲	▲	▲	▲	△	■	▲	
1,850 ²⁾	2.50	1,770	▲	▲	▲	▲	▲	▲	▲	▲	▲	▲	▲	

* Indicated loads are based on ISO 10567 max. stick length, lifted 360° on firm

¹⁾ Bucket without quick change adapter with teeth Z 50 ²⁾ Bucket with quick change adapter with teeth Z 50

Other backhoes available on request

Max. material weight □ = ≤ 1.8 t/m³, △ = ≤ 1.5 t/m³, ■ = ≤ 1.2 t/m³, ▲ = not authorized

Lift Capacities

with Hydr. Adjustable Boom 4.30 m

Stick 2.10 m

Height (m)	Under-carriage	Radius of load from centerline of machine (m)					
		3.0	4.5	6.0	7.5	9.0	10.5
12.0	NLC						
12.0	LC						
12.0	S-HD						
10.5	NLC		12.2# (12.2#)				
10.5	LC		12.2# (12.2#)				
10.5	S-HD		12.5# (12.5#)				
9.0	NLC		14.0# (14.0#)	10.2 (11.9#)			
9.0	LC		14.0# (14.0#)	11.0# (11.9#)			
9.0	S-HD		14.0# (14.0#)	11.9# (11.9#)			
7.5	NLC	14.8# (14.8#)	15.6 (15.6#)	10.1 (12.0#)	6.8 (9.7#)		
7.5	LC	14.8# (14.8#)	15.6# (15.6#)	10.8 (12.0#)	7.4 (9.7#)		
7.5	S-HD	15.1# (15.1#)	15.7# (15.7#)	12.0# (12.0#)	9.0# (9.7#)		
6.0	NLC	24.8# (24.8#)	14.7# (16.5#)	9.8 (12.2#)	7.0 (9.7#)	4.5 (7.9#)	
6.0	LC	24.8# (24.8#)	15.7# (16.5#)	10.5 (12.2#)	7.5 (9.7#)	5.0 (7.9#)	
6.0	S-HD	23.8# (23.8#)	16.6# (16.6#)	12.1# (12.3#)	8.9# (9.7#)	6.3 (7.9#)	
4.5	NLC	20.4# (20.4#)	14.0# (16.7#)	9.6 (12.4#)	6.9 (9.7#)	4.6 (7.8#)	
4.5	LC	20.4# (20.4#)	14.9# (16.7#)	10.2 (12.4#)	7.5 (9.7#)	5.0 (7.8#)	
4.5	S-HD	19.3# (19.3#)	16.8# (16.8#)	11.7# (12.4#)	8.7# (9.7#)	6.3 (7.8#)	
3.0	NLC		13.7 (16.5#)	9.3 (12.1#)	6.6 (9.5#)	4.4 (7.7#)	
3.0	LC		14.5# (16.5#)	10.1# (12.1#)	7.1 (9.5#)	4.9 (7.7#)	
3.0	S-HD		16.5# (16.5#)	11.4 (12.1#)	8.7# (9.5#)	6.1 (7.7#)	
1.5	NLC		12.5 (16.8#)	8.5 (12.1#)	6.2 (9.4#)	4.2 (7.7#)	
1.5	LC		13.9 (16.8#)	9.3 (12.1#)	6.7 (9.4#)	4.7 (7.7#)	
1.5	S-HD		16.7# (16.8#)	11.4 (12.1#)	8.4 (9.4#)	5.9 (7.6#)	
0	NLC	16.4# (16.4#)	11.8 (17.0#)	7.9 (12.2#)	5.8 (9.6#)	4.0 (7.0#)	
0	LC	16.4# (16.4#)	13.1 (17.0#)	8.8 (12.2#)	6.3 (9.6#)	4.5 (7.0#)	
0	S-HD	16.8# (16.8#)	16.7 (17.0#)	11.0 (12.3#)	8.0 (9.6#)	5.7 (6.9#)	
-1.5	NLC	22.4 (24.8#)	11.5 (16.9#)	7.7 (12.4#)	5.4 (9.2#)	3.9 (4.8#)	
-1.5	LC	24.8# (24.8#)	12.8 (16.9#)	8.5 (12.4#)	6.0 (9.2#)	4.3 (4.8#)	
-1.5	S-HD	24.7# (24.7#)	16.4 (16.9#)	10.7 (12.4#)	7.6 (9.2#)	4.4# (4.4#)	
-3.0	NLC	22.4# (22.4#)	11.5 (15.6#)	7.5 (11.1#)	5.2 (6.4#)		
-3.0	LC	22.4# (22.4#)	12.8 (15.6#)	8.3 (11.1#)	5.8 (6.4#)		
-3.0	S-HD	22.2# (22.2#)	15.5# (15.5#)	10.6 (11.0#)	6.0# (6.0#)		
-4.5	NLC	17.6# (17.6#)	10.9# (10.9#)	5.5# (5.5#)			
-4.5	LC	17.6# (17.6#)	10.9# (10.9#)	5.5# (5.5#)			
-4.5	S-HD	17.2# (17.2#)	10.7# (10.7#)	4.8# (4.8#)			
-6.0	NLC						
-6.0	LC						
-6.0	S-HD						

Stick 2.60 m

Height (m)	Under-carriage	Radius of load from centerline of machine (m)					
		3.0	4.5	6.0	7.5	9.0	10.5
12.0	NLC						
12.0	LC						
12.0	S-HD						
10.5	NLC		11.3# (11.3#)	7.8# (7.8#)			
10.5	LC		11.3# (11.3#)	7.8# (7.8#)			
10.5	S-HD		11.4# (11.4#)	8.4# (8.4#)			
9.0	NLC		11.3# (11.3#)	10.4 (11.3#)	6.8 (8.5#)		
9.0	LC		11.3# (11.3#)	11.1 (11.3#)	7.3 (8.5#)		
9.0	S-HD		11.3# (11.3#)	11.3# (11.3#)	8.8# (8.8#)		
7.5	NLC		12.3# (12.3#)	10.2 (11.6#)	7.1 (9.5#)		
7.5	LC		12.3# (12.3#)	10.9 (11.6#)	7.7 (9.5#)		
7.5	S-HD		12.4# (12.4#)	11.7# (11.7#)	9.0 (9.5#)		
6.0	NLC	24.6# (24.6#)	15.0 (16.0#)	9.9 (12.0#)	7.2 (9.6#)	4.8 (7.9#)	
6.0	LC	24.6# (24.6#)	16.0 (16.0#)	10.6 (12.0#)	7.7 (9.6#)	5.2 (7.9#)	
6.0	S-HD	24.8# (24.8#)	16.1# (16.1#)	12.0# (12.0#)	8.9 (9.6#)	6.5 (7.9#)	
4.5	NLC	21.5# (21.5#)	14.1 (16.9#)	9.6 (12.3#)	7.1 (9.6#)	4.8 (7.7#)	
4.5	LC	21.5# (21.5#)	15.1# (16.9#)	10.2 (12.3#)	7.5 (9.6#)	5.2 (7.7#)	
4.5	S-HD	20.7# (20.7#)	17.0# (17.0#)	11.7# (12.3#)	8.7 (9.6#)	6.5 (7.7#)	
3.0	NLC		17.6# (17.6#)	13.7 (16.5#)	9.4# (12.1#)	6.7 (9.4#)	
3.0	LC		17.6# (17.6#)	14.6 (16.5#)	9.9# (12.1#)	7.3 (9.4#)	
3.0	S-HD		16.2# (16.2#)	16.5# (16.5#)	11.4 (12.1#)	8.5# (9.4#)	
1.5	NLC		12.9 (16.6#)	8.6 (12.0#)	6.2 (9.3#)	4.4 (7.6#)	
1.5	LC		14.3 (16.6#)	9.5 (12.0#)	6.8 (9.3#)	4.7 (7.6#)	
1.5	S-HD		16.5 (16.6#)	11.3 (12.0#)	8.4 (9.3#)	6.1 (7.6#)	
0	NLC	16.1# (16.1#)	11.9 (16.8#)	8.0 (12.1#)	5.8 (9.4#)	4.1 (7.5#)	
0	LC	16.1# (16.1#)	13.3 (16.8#)	8.8 (12.1#)	6.4 (9.4#)	4.6 (7.5#)	
0	S-HD	16.4# (16.4#)	16.7# (16.8#)	11.1 (12.1#)	8.0 (9.4#)	5.8 (7.5#)	
-1.5	NLC	22.1# (22.1#)	11.5 (17.0#)	7.6 (12.3#)	5.5 (9.3#)	3.9 (6.3#)	
-1.5	LC	22.1# (22.1#)	12.8 (17.0#)	8.4 (12.3#)	6.1 (9.3#)	4.3 (6.3#)	
-1.5	S-HD	22.4# (22.4#)	16.4 (17.0#)	10.7 (12.3#)	7.7 (9.3#)	5.6 (6.3#)	
-3.0	NLC	22.4 (23.9#)	11.4 (16.2#)	7.5 (11.9#)	5.2 (8.0#)	2.2# (2.2#)	
-3.0	LC	23.9# (23.9#)	12.7 (16.2#)	8.3 (11.9#)	5.8 (8.0#)	2.2# (2.2#)	
-3.0	S-HD	23.7# (23.7#)	16.1# (16.1#)	10.6 (11.8#)	7.4 (7.7#)	2.1# (2.1#)	
-4.5	NLC	19.9# (19.9#)	11.7 (13.8#)	7.3 (8.0#)	2.8# (2.8#)		
-4.5	LC	19.9# (19.9#)	13.0 (13.8#)	8.0# (8.0#)	2.8# (2.8#)		
-4.5	S-HD	19.6# (19.6#)	13.6# (13.6#)	7.8# (7.8#)			
-6.0	NLC						
-6.0	LC						
-6.0	S-HD						

Stick 3.30 m

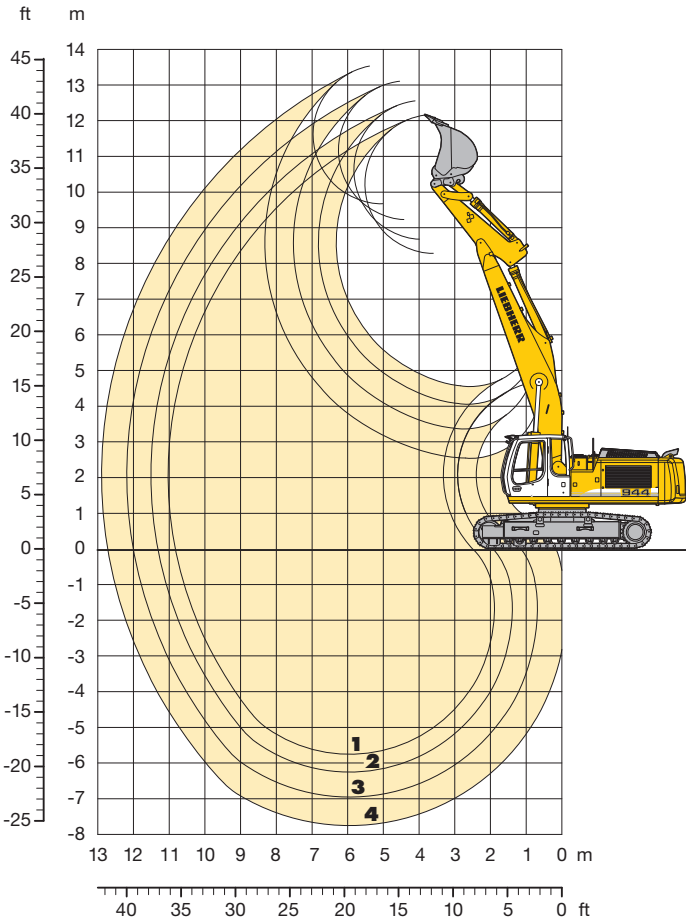
Height (m)	Under-carriage	Radius of load from centerline of machine (m)						
		3.0	4.5	6.0	7.5	9.0	10.5	
12.0	NLC		8.1# (8.1#)					
12.0	LC		8.1# (8.1#)					
12.0	S-HD		8.4# (8.4#)					
10.5	NLC		9.2# (9.2#)	8.6# (8.6#)				
10.5	LC		9.2# (9.2#)	8.6# (8.6#)				
10.5	S-HD		8.7# (8.7#)					
9.0	NLC			9.0# (9.0#)	7.1# (8.5#)			
9.0	LC			9.0# (9.0#)	7.7 (8.5#)			
9.0	S-HD			9.0# (9.0#)	8.5# (8.5#)			
7.5	NLC		8.6# (8.6#)	9.6# (9.6#)	7.3 (9.1#)	5.0 (7.7#)		
7.5	LC		8.6# (8.6#)	9.6# (9.6#)	7.8 (9.1#)	5.4 (7.7#)		
7.5	S-HD		8.7# (8.7#)	9.7# (9.7#)	9.1 (9.1#)	6.6 (7.7#)		
6.0	NLC	10.1# (10.1#)	11.6# (11.6#)	9.9 (11.4#)	7.2 (9.2#)	5.1 (7.7#)		
6.0	LC	10.1# (10.1#)	11.6# (11.6#)	10.6 (11.4#)	7.6# (9.2#)	5.5 (7.7#)		
6.0	S-HD	10.8# (10.8#)	11.9# (11.9#)	11.5# (11.5#)	8.9 (9.3#)	6.7# (7.7#)		
4.5	NLC	23.6# (23.6#)	14.3# (16.4#)	9.6 (11.9#)	7.0# (9.4#)	5.0 (7.6#)	3.3 (6.2)	
4.5	LC	23.6# (23.6#)	15.3 (16.4#)	10.2 (11.9#)	7.4 (9.4#)	5.4 (7.6#)	3.7 (6.2)	
4.5	S-HD	23.2# (23.2#)	16.4# (16.4#)	11.7 (12.0#)	8.6 (9.4#)	6.7 (7.6#)	4.7 (6.2#)	
3.0	NLC		21.0# (21.0#)	13.7 (16.6#)	9.3# (12.1#)	6.8 (9.3#)	4.8 (7.5#)	3.3 (6.1)
3.0	LC		21.0# (21.0#)	14.6# (16.6#)	9.9# (12.1#)	7.3 (9.3#)	5.3 (7.5#)	3.6 (6.1)
3.0	S-HD		20.8# (20.8#)	16.5 (16.6#)	11.4 (12.1#)	8.4 (9.3#)	6.5 (7.5#)	4.6 (6.2#)
1.5	NLC	16.0# (16.0#)	13.4 (16.4#)	8.8 (11.8#)	6.3 (9.2#)	4.5 (7.4#)	3.1 (5.9)	
1.5	LC	16.0# (16.0#)	14.3 (16.4#)	9.7 (11.8#)	6.9 (9.2#)	5.0 (7.4#)	3.5 (6.0)	
1.5	S-HD	15.8# (15.8#)	16.3# (16.4#)	11.1 (11.8#)	8.3 (9.1#)	6.3 (7.4#)	4.5 (6.0#)	
0	NLC	16.1# (16.1#)	12.1 (16.5#)	8.1 (11.8#)	5.8 (9.1#)	4.2 (7.5#)	3.0 (5.4#)	
0	LC	16.1# (16.1#)	13.5 (16.5#)	8.9 (11.8#)	6.4 (9.1#)	4.7 (7.5#)	3.3 (5.4#)	
0	S-HD	16.3# (16.3#)	16.4# (16.5#)	11.2 (11.8#)	8.1 (9.1#)	5.9 (7.5#)	4.3 (5.3#)	
-1.5	NLC	19.8# (19.8#)	11.5 (16.8#)	7.6 (12.0#)	5.5 (9.4#)	3.9 (7.2#)	2.9 (3.3#)	
-1.5	LC	19.8# (19.8#)	12.8 (16.8#)	8.4 (12.0#)	6.1 (9.4#)	4.4 (7.2#)	3.2 (3.3#)	
-1.5	S-HD	20.1# (20.1#)	16.4 (16.8#)	10.7 (12.0#)	7.7 (9.4#)	5.6 (7.2#)	3.0# (3.0#)	
-3.0	NLC	21.9 (24.9#)	11.2 (16.5#)	7.4 (12.0#)	5.3 (9.0#)	3.8 (5.5#)		
-3.0	LC	24.9# (24.9#)	12.5 (16.5#)	8.2 (12.0#)	5.8 (9.0#)	4.2 (5.5#)		
-3.0	S-HD	25.1# (25.1#)	16.2 (16.5#)	10.4 (12.0#)	7.5 (9.9#)	5.2# (5.2#)		
-4.5	NLC	22.2# (22.2#)	11.3 (15.0#)	7.3 (10.6#)	5.0 (5.9#)			
-4.5	LC	22.2# (22.2#)	12.6 (15.0#)	8.1 (10.6#)	5.6 (5.9#)			
-4.5	S-HD	22.2# (22.2#)	14.9# (14.9#)	10.3# (10.3#)	5.8# (5.8#)			
-6.0	NLC							
-6.0	LC							
-6.0	S-HD							

Stick 4.10 m

Height (m)	Under-carriage	Radius of load from centerline of machine (m)						
		3.0	4.5	6.0	7.5	9.0	10.5	
12.0	NLC			5.6# (5.6#)				
12.0	LC			5.6# (5.6#)				
12.0	S-HD			5.9# (5.9#)				
10.5	NLC			7.1# (7.1#)	6.0# (6.0#)			
10.5	LC			7.1# (7.1#)	6.0# (6.0#)			
10.5	S-HD			7.1# (7.1#)	6.1# (6.1#)			
9.0	NLC			7.0# (7.0#)	7.0# (7.0#)	5.0 (5.6#)		
9.0	LC			7.0# (7.0#)	7.0# (7.0#)	5.4 (5.6#)		
9.0	S-HD			7.1# (7.1#)	7.0# (7.0#)	5.7# (5.7#)		
7.5	NLC			7.3# (7.3#)	7.3 (7.5#)	5.2 (7.0#)	3.5 (3.8#)	
7.5	LC			7.3# (7.3#)	7.5# (7.5#)	5.6 (7.0#)	3.8# (3.8#)	
7.5	S-HD			7.3# (7.3#)	7.5# (7.5#)	6.7 (7.0#)	4.0# (4.0#)	
6.0	NLC		7.6# (7.6#)	8.6# (8.6#)	7.2 (8.5#)	5.3 (7.4#)	3.6 (6.1#)	
6.0	LC		7.6# (7.6#)	8.6# (8.6#)	7.7 (8.5#)	5.7 (7.4#)	3.9 (6.1#)	
6.0	S-HD		7.8# (7.8#)	8.7# (8.7#)	8.6# (8.6#)	6.7 (7.4#)	4.9 (6.2#)	
4.5	NLC	24.2# (24.2#)	14.6 (15.5#)	9.7 (11.5#)	7.0 (9.1#)	5.2 (7.5#)	3.5 (6.2#)	
4.5	LC	24.2# (24.2#)	15.5# (15.5#)	10.2 (11.5#)	7.4 (9.1#)	5.6 (7.5#)	3.9 (6.2#)	
4.5	S-HD	24.4# (24.4#)	15.6# (15.6#)	11.5# (11.5#)	8.6# (9.1#)	6.6 (7.5#)	4.9 (6.2#)	
3.0	NLC		21.7# (21.7#)	13.8 (16.5#)	9.2 (11.9#)	6.8# (9.2#)	5.0 (7.4#)	3.4 (6.1#)
3.0	LC		21.7# (21.7#)	14.7# (16.5#)	9.8 (11.9#)	7.2# (9.2#)	5.5 (7.4#)	3.8 (6.1#)
3.0	S-HD		21.9# (21.9#)	16.5# (16.5#)	11.3 (11.9#)	8.4 (9.2#)	6.5# (7.4#)	4.8 (6.1#)
1.5	NLC	21.5# (21.5#)	13.4 (16.2#)	9.0 (11.7#)	6.4 (9.0#)	4.7 (7.3#)	3.2 (6.0)	
1.5	LC	21.5# (21.5#)	14.3 (16.2#)	9.6 (11.7#)	7.0 (9.0#)			

Backhoe Attachment

with Straight Gooseneck Boom 6.80 m



Digging Envelope with Quick Change Adapter

		1	2	3	4
Stick length	m	2.10	2.60	3.30	4.10
Max. digging depth	m	5.75	6.25	6.95	7.75
Max. reach at ground level	m	10.80	11.30	12.00	12.70
Max. dump height	m	8.30	8.70	9.25	9.70
Max. dump height	m	12.15	12.55	13.10	13.55

Digging Forces with Quick Change Adapter

		1	2	3	4
Digging force ISO	kN	212	187	161	139
	t	21.6	19.1	16.4	14.2
Breakout force ISO	kN	205	205	205	205
	t	20.9	20.9	20.9	20.9

without Quick Change Adapter

Digging force ISO	kN	224	197	168	144
	t	22.8	20.1	17.1	14.7
Breakout force ISO	kN	234	234	234	234
	t	23.9	23.9	23.9	23.9

Max. breakout force with ripper bucket and without quick change adapter

300 kN (30.6 t)

Operating Weight and Ground Pressure

Operating weight includes basic machine with straight gooseneck boom 6.80 m, stick 2.60 m, quick change adapter 66 and bucket 1.50 m³.

Undercarriage		NLC			LC			S-HD		
Pad width	mm	500	600	750	500	600	750	500	600	750
Weight	kg	38 550	39 000	39 650	38 650	39 100	39 750	42 550	43 050	44 300
Ground pressure	kg/cm ²	0,87	0,74	0,60	0,87	0,74	0,60	0,90	0,76	0,62

Optional: heavy counterweight

(Heavy counterweight increases the operating weight by 1,300 kg and ground pressure by 0.03 kg/cm²)

Buckets Machine stability per ISO 10567* (75% of tipping capacity)

Cutting width mm	Capacity ISO 7451 m ³	Weight kg	NLC-Undercarriage				LC-Undercarriage				S-HD-Undercarriage			
			Stick length (m)				Stick length (m)				Stick length (m)			
			2.10	2.60	3.30	4.10	2.10	2.60	3.30	4.10	2.10	2.60	3.30	4.10
1,050 ¹⁾	1.00	1,220	□	□	□	□	□	□	□	□	□	□	□	□
1,200 ¹⁾	1.25	1,280	□	□	□	□	□	□	□	□	□	□	□	□
1,350 ¹⁾	1.50	1,370	□	□	□	△	□	□	□	□	□	□	□	□
1,500 ¹⁾	1.75	1,460	□	□	△	■	□	□	△	□	□	□	□	△
1,650 ¹⁾	2.00	1,580	□	△	■	▲	□	△	■	□	□	□	□	■
1,650 ¹⁾	2.25	1,690	△	■	▲	▲	△	△	■	▲	□	□	△	▲
1,850 ¹⁾	2.50	1,810	■	▲	▲	▲	■	■	▲	▲	□	△	■	▲
1,050 ²⁾	1.00	1,150	□	□	□	□	□	□	□	□	□	□	□	□
1,200 ²⁾	1.25	1,240	□	□	□	△	□	□	□	□	□	□	□	□
1,350 ²⁾	1.50	1,330	□	□	△	■	□	□	△	□	□	□	□	△
1,500 ²⁾	1.75	1,420	□	△	■	▲	□	△	■	□	□	□	□	■
1,650 ²⁾	2.00	1,540	△	■	▲	▲	□	△	■	▲	□	□	□	▲
1,650 ²⁾	2.25	1,650	■	▲	▲	▲	△	■	▲	▲	□	□	△	▲
1,850 ²⁾	2.50	1,770	▲	▲	▲	▲	■	■	▲	▲	□	△	■	▲

* Indicated loads are based on ISO 10567 max. stick length, lifted 360° on firm

¹⁾ Bucket without quick change adapter with teeth Z 50 ²⁾ Bucket with quick change adapter with teeth Z 50

Other backhoes available on request

Max. material weight □ = ≤ 1.8 t/m³, △ = ≤ 1.5 t/m³, ■ = ≤ 1.2 t/m³, ▲ = not authorized

Lift Capacities

with Straight Gooseneck Boom 6.80 m

Stick 2.10 m

Height (m)	Under-carriage	Radius of load from centerline of machine (m)					
		3.0	4.5	6.0	7.5	9.0	10.5
12.0	NLC LC S-HD						
10.5	NLC LC S-HD						
9.0	NLC LC S-HD			9.4# (9.4#) 9.4# (9.4#) 9.9# (9.9#)			
7.5	NLC LC S-HD			9.9 (10.8#) 10.7 (10.8#) 10.8# (10.8#)	6.7 (8.2#) 7.3 (8.2#) 8.7# (8.7#)		
6.0	NLC LC S-HD	21.1# (21.1#) 21.1# (21.1#) 21.4# (21.4#)	14.4# (14.4#) 14.4# (14.4#) 14.5# (14.5#)	9.4 (11.3#) 10.3 (11.3#) 11.3# (11.3#)	6.6 (9.5#) 7.2 (9.5#) 8.8 (9.5#)		
4.5	NLC LC S-HD		13.3 (16.5#) 14.6 (16.5#) 16.6# (16.6#)	8.8 (12.1#) 9.6 (12.1#) 11.8 (12.1#)	6.3 (9.8#) 6.9 (9.8#) 8.5 (9.8#)	4.7 (7.8#) 5.1 (7.8#) 6.4 (8.1#)	
3.0	NLC LC S-HD			8.1 (12.8#) 8.9 (12.8#) 11.1 (12.8#)	5.9 (10.0#) 6.5 (10.0#) 8.1 (10.0#)	4.5 (8.0) 5.0 (8.0) 6.2 (8.2#)	
1.5	NLC LC S-HD			7.6 (12.8#) 8.4 (12.8#) 10.6 (12.7#)	5.7 (10.0#) 6.2 (10.0#) 7.8 (10.0#)	4.4 (7.8) 4.8 (7.9) 6.1 (8.0#)	
0	NLC LC S-HD		11.3 (13.3#) 12.6 (13.3#) 13.8# (13.8#)	7.4 (11.9#) 8.2 (11.9#) 10.4 (11.9#)	5.5 (9.4#) 6.1 (9.4#) 7.7 (9.4#)	4.3 (7.3#) 4.8 (7.3#) 6.0 (7.2#)	
- 1.5	NLC LC S-HD		11.5 (11.8#) 11.8# (11.8#) 11.7# (11.7#)	7.5 (10.3#) 8.2 (10.3#) 10.2# (10.2#)	5.5 (8.2#) 6.1 (8.2#) 7.7 (8.1#)		
- 3.0	NLC LC S-HD		8.7# (8.7#) 8.7# (8.7#) 8.5# (8.5#)	7.6 (7.8#) 7.8# (7.8#) 7.6# (7.6#)	5.7 (5.9#) 5.9# (5.9#) 5.7# (5.7#)		
- 4.5	NLC LC S-HD						
- 6.0	NLC LC S-HD						

Stick 2.60 m

Height (m)	Under-carriage	Radius of load from centerline of machine (m)						
		3.0	4.5	6.0	7.5	9.0	10.5	
12.0	NLC LC S-HD							
10.5	NLC LC S-HD							
9.0	NLC LC S-HD					10.1 (10.1#) 10.1# (10.1#) 10.2# (10.2#)		
7.5	NLC LC S-HD					10.0 (10.2#) 10.2# (10.2#) 10.2# (10.2#)	6.8 (9.0#) 7.4 (9.0#) 9.0# (9.0#)	
6.0	NLC LC S-HD		13.5# (13.5#) 13.5# (13.5#) 13.6# (13.6#)		9.6 (10.8#) 10.4 (10.8#) 10.8# (10.8#)	6.7 (9.1#) 7.2 (9.1#) 8.9 (9.2#)	4.8 (6.2#) 5.2 (6.2#) 6.5 (6.5#)	
4.5	NLC LC S-HD		13.8 (15.6#) 15.1 (15.6#) 15.7# (15.7#)		8.9 (11.7#) 9.8 (11.7#) 11.7# (11.7#)	6.3 (9.5#) 6.9 (9.5#) 8.5 (9.5#)	4.7 (8.1#) 5.1 (8.1#) 6.4 (8.1#)	
3.0	NLC LC S-HD					12.2 (17.4#) 13.5 (17.4#) 17.1 (17.5#)	8.2 (12.5#) 9.0 (12.5#) 11.2 (12.5#)	6.0 (9.8#) 6.5 (9.8#) 8.1 (9.9#)
1.5	NLC LC S-HD					11.4 (11.8#) 11.8# (11.8#) 11.8# (11.8#)	7.7 (12.8#) 8.5 (12.8#) 10.7 (12.8#)	5.7 (9.9#) 6.2 (9.9#) 7.8 (9.9#)
0	NLC LC S-HD					11.2 (14.5#) 12.5 (14.5#) 14.7# (14.7#)	7.4 (12.2#) 8.2 (12.2#) 10.4 (12.2#)	5.5 (9.6#) 6.0 (9.6#) 7.6 (9.6#)
- 1.5	NLC LC S-HD		10.5# (10.5#) 10.5# (10.5#) 10.9# (10.9#)		11.3 (13.3#) 12.5 (13.3#) 13.2# (13.2#)	7.4 (10.9#) 8.1 (10.9#) 10.3 (10.8#)	5.4 (8.6#) 6.0 (8.6#) 7.6 (8.5#)	
- 3.0	NLC LC S-HD				10.3# (10.3#) 10.3# (10.3#) 10.1# (10.1#)	7.5 (8.7#) 8.2 (8.7#) 8.6# (8.6#)	5.5 (6.8#) 6.0 (6.8#) 6.6# (6.6#)	
- 4.5	NLC LC S-HD					5.3# (5.3#) 5.3# (5.3#) 5.1# (5.1#)		
- 6.0	NLC LC S-HD							

Stick 3.30 m

Height (m)	Under-carriage	Radius of load from centerline of machine (m)					
		3.0	4.5	6.0	7.5	9.0	10.5
12.0	NLC LC S-HD						
10.5	NLC LC S-HD			6.6# (6.6#) 6.6# (6.6#) 6.9# (6.9#)			
9.0	NLC LC S-HD				6.7# (6.7#) 6.7# (6.7#) 6.9# (6.9#)		
7.5	NLC LC S-HD			9.0# (9.0#) 9.0# (9.0#) 9.1# (9.1#)	7.0 (8.3#) 7.6 (8.3#) 8.3# (8.3#)	4.7# (4.7#) 4.7# (4.7#) 5.0# (5.0#)	
6.0	NLC LC S-HD			9.8 (10.0#) 10.0# (10.0#) 10.0# (10.0#)	6.8 (8.6#) 7.3 (8.6#) 8.6# (8.6#)	4.9 (7.6#) 5.3 (7.6#) 6.6 (7.6#)	
4.5	NLC LC S-HD	22.0# (22.0#) 22.0# (22.0#) 22.4# (22.4#)	14.3# (14.3#) 14.3# (14.3#) 14.4# (14.4#)	9.2 (10.9#) 10.0 (10.9#) 11.0# (11.0#)	6.4 (9.0#) 7.0 (9.0#) 8.6 (9.0#)	4.7 (7.7#) 5.1 (7.7#) 6.4 (7.7#)	
3.0	NLC LC S-HD		12.7 (16.5#) 14.0 (16.5#) 16.6# (16.6#)	8.4 (11.9#) 9.2 (11.9#) 11.4 (12.0#)	6.0 (9.5#) 6.6 (9.5#) 8.2 (9.5#)	4.5 (7.9#) 4.9 (7.9#) 6.2 (7.9#)	3.4 (4.7#) 3.8 (4.7#) 4.8# (4.8#)
1.5	NLC LC S-HD		11.5 (16.7#) 12.8 (16.7#) 16.4 (16.4#)	7.7 (12.5#) 8.5 (12.5#) 10.7 (12.5#)	5.6 (9.7#) 6.2 (9.7#) 7.8 (9.8#)	4.3 (7.7) 4.7 (7.7) 6.0 (7.9#)	3.3 (5.2#) 3.7 (5.2#) 4.7 (5.2#)
0	NLC LC S-HD		11.1 (15.6#) 12.3 (15.6#) 15.7# (15.7#)	7.3 (12.4#) 8.1 (12.4#) 10.3 (12.4#)	5.4 (9.6#) 5.9 (9.6#) 7.5 (9.6#)	4.1 (7.6) 4.6 (7.6) 5.8 (7.7#)	
- 1.5	NLC LC S-HD	9.8# (9.8#) 9.8# (9.8#) 10.1# (10.1#)	11.0 (14.8#) 12.3 (14.8#) 14.6# (14.6#)	7.2 (11.5#) 8.0 (11.5#) 10.2 (11.4#)	5.2 (9.0#) 5.8 (9.0#) 7.4 (8.9#)	4.1 (7.0#) 4.5 (7.0#) 5.7 (6.9#)	
- 3.0	NLC LC S-HD	13.7# (13.7#) 13.7# (13.7#) 13.5# (13.5#)	11.1 (12.0#) 12.0# (12.0#) 11.9# (11.9#)	7.2 (9.7#) 8.0 (9.7#) 9.6# (9.6#)	5.3 (7.6#) 5.8 (7.6#) 7.4 (7.5#)	4.1 (5.4#) 4.6 (5.4#) 5.3# (5.3#)	
- 4.5	NLC LC S-HD		8.3# (8.3#) 8.3# (8.3#) 8.1# (8.1#)	6.9# (6.9#) 6.9# (6.9#) 6.7# (6.7#)	5.0# (5.0#) 5.0# (5.0#) 4.8# (4.8#)		
- 6.0	NLC LC S-HD						

Stick 4.10 m

Height (m)	Under-carriage	Radius of load from centerline of machine (m)					
		3.0	4.5	6.0	7.5	9.0	10.5
12.0	NLC LC S-HD						
10.5	NLC LC S-HD						
9.0	NLC LC S-HD					6.4# (6.4#) 6.4# (6.4#) 6.4# (6.4#)	
7.5	NLC LC S-HD					7.0# (7.0#) 7.0# (7.0#) 7.1# (7.1#)	5.1 (5.8#) 5.5 (5.8#) 5.9# (5.9#)
6.0	NLC LC S-HD					6.9 (7.8#) 7.5 (7.8#) 7.8# (7.8#)	5.0 (7.0#) 5.4 (7.0#) 6.7 (7.1#)
4.5	NLC LC S-HD					10.1# (10.1#) 10.1# (10.1#) 10.5# (10.5#)	9.5 (9.9#) 9.9# (9.9#) 10.1# (10.1#)
3.0	NLC LC S-HD	14.4# (14.4#) 14.4# (14.4#) 12.8# (12.8#)	13.4 (15.2#) 14.7 (15.2#) 15.3# (15.3#)	13.4 (15.2#) 14.7 (15.2#) 11.2# (11.2#)	8.6 (11.2#) 9.5 (11.2#) 8.3 (9.0#)	6.1 (9.0#) 6.7 (9.0#) 6.2 (7.6#)	4.5 (7.5#) 4.9 (7.5#) 4.8 (6.5#)
1.5	NLC LC S-HD		5.2# (5.2#) 5.2# (5.2#) 5.2# (5.2#)	11.9 (16.9#) 13.2 (16.9#) 16.8 (17.0#)	7.9 (12.1#) 8.7 (12.1#) 10.9 (12.1#)	5.7 (9.4#) 6.2 (9.4#) 7.8 (9.5#)	4.3 (7.7) 4.7 (7.7#) 5.9 (7.7#)
0	NLC LC S-HD		6.7# (6.7#) 6.7# (6.7#) 6.9# (6.9#)	11.1 (17.1#) 12.4 (17.1#) 15.9 (17.1#)	7.4 (12.4#) 8.1 (12.4#) 10.3 (12.4#)	5.3 (9.6#) 5.9 (9.6#) 7.5 (9.6#)	4.0 (7.5) 4.5 (7.5) 5.7 (7.7#)
- 1.5	NLC LC S-HD	9.8# (9.8#) 9.8# (9.8#) 10.0# (10.0#)	10.8 (15.9#) 12.1 (15.9#) 15.6 (15.8#)	7.1 (11.9#) 7.8 (11.9#) 10.1 (11.8#)	5.1 (9.2#) 5.7 (9.2#) 7.3 (9.2#)	3.9 (7.3#) 4.4 (7.3#) 5.6 (7.2#)	3.1 (5.5#) 3.5 (5.5#) 4.5 (5.5#)
- 3.0	NLC LC S-HD	13.7# (13.7#) 13.7# (13.7#) 13.9# (13.9#)	10.8 (13.7#) 12.1 (13.7#) 13.6# (13.6#)	7.0 (10.6#) 7.8 (10.6#) 10.0 (10.5#)	5.1 (8.2#) 5.6 (8.2#) 7.2 (8.2#)	3.9 (6.3#) 4.3 (6.3#) 5.6 (6.2#)	
- 4.5	NLC LC S-HD		12.7# (12.7#) 12.7# (12.7#) 12.4# (12.4#)	10.5# (10.5#) 10.5# (10.5#) 10.3# (10.3#)	7.1 (8.4#) 7.9 (8.4#) 8.2# (8.2#)	5.2 (6.4#) 5.7 (6.4#) 6.3# (6.3#)	4.1 (4.2#) 4.2# (4.2#) 4.0# (4.0#)
- 6.0	NLC LC S-HD				6.0# (6.0#) 6.0# (6.0#) 4.9# (4.9#)	4.9# (4.9#) 4.9# (4.9#) 3.0# (3.0#)	

The lift capacities on the load hook of the Liebherr quick change adapter 66 without attachment are stated in metric tonnes (t), and can be lifted 360° on firm, level supporting surface. Values quoted in brackets are valid for the undercarriage when in longitudinal position. Capacities are valid for 600 mm wide triple grouser pads. Indicated loads are based on ISO 10567 standard and do not exceed 75% of tipping or 87% of hydraulic capacity (indicated via #). Maximum load for the quick change adapter's load hook is 18 t. Without quick change adapter the lift capacities will increase by 450 kg, without bucket cylinder, link and lever they increase by an additional 590 kg. Lifting capacity of the excavator is limited by machine stability, hydraulic capacity and maximum permissible load of the load hook.

According to European Standard, EN 474-5: In the European Union excavators have to be equipped with an overload warning device, a load diagram and automatic check valves on the hoist cylinders, when they are used for lifting operations which require the use of lifting accessories.

Lift Capacities

with Gooseneck Boom 6.45 m and Heavy Counterweight

Stick 2.10 m

Height (m)	Under-carriage	Radius of load from centerline of machine (m)					
		3.0	4.5	6.0	7.5	9.0	10.5
12.0	NLC						
	LC						
	S-HD						
10.5	NLC						
	LC						
	S-HD						
9.0	NLC						
	LC						
	S-HD						
7.5	NLC			9.3# (9.3#)			
	LC			9.3# (9.3#)			
	S-HD			9.4# (9.4#)			
6.0	NLC			9.8# (9.8#)	7.5 (8.8#)		
	LC			9.8# (9.8#)	8.1 (8.8#)		
	S-HD			9.9# (9.9#)	8.8# (8.8#)		
4.5	NLC		14.3# (14.3#)	10.1 (10.9#)	7.2 (9.1#)		
	LC		14.3# (14.3#)	10.9# (10.9#)	7.8 (9.1#)		
	S-HD		14.5# (14.5#)	10.9# (10.9#)	9.2# (9.2#)		
3.0	NLC		13.9 (17.0#)	9.5 (12.0#)	6.9 (9.7#)		
	LC		15.3 (17.0#)	10.3 (12.0#)	7.5 (9.7#)		
	S-HD		17.1# (17.1#)	12.1# (12.1#)	9.2 (9.7#)		
1.5	NLC		13.2 (16.9#)	9.0 (12.8#)	6.6 (10.0#)		
	LC		14.5 (16.9#)	9.8 (12.8#)	7.2 (10.0#)		
	S-HD		16.9# (16.9#)	12.1 (12.8#)	8.9 (10.0#)		
0	NLC		13.0 (17.0#)	8.7 (12.8#)	6.4 (10.0#)		
	LC		14.4 (17.0#)	9.5 (12.8#)	7.0 (10.0#)		
	S-HD		17.0# (17.0#)	11.8 (12.8#)	8.7 (10.0#)		
-1.5	NLC	16.2# (16.2#)	13.1 (15.5#)	8.6 (12.1#)	6.4 (9.4#)		
	LC	16.2# (16.2#)	14.4 (15.5#)	9.4 (12.1#)	7.0 (9.4#)		
	S-HD	16.7# (16.7#)	15.4# (15.4#)	11.7 (12.0#)	8.6 (9.3#)		
-3.0	NLC	15.3# (15.3#)	13.1# (13.1#)	8.8 (10.3#)			
	LC	15.3# (15.3#)	13.1# (13.1#)	9.6 (10.3#)			
	S-HD	15.1# (15.1#)	12.9# (12.9#)	10.2# (10.2#)			
-4.5	NLC		9.1# (9.1#)				
	LC		9.1# (9.1#)				
	S-HD		8.8# (8.8#)				
-6.0	NLC						
	LC						
	S-HD						

Stick 2.60 m

Height (m)	Under-carriage	Radius of load from centerline of machine (m)					
		3.0	4.5	6.0	7.5	9.0	10.5
12.0	NLC						
	LC						
	S-HD						
10.5	NLC						
	LC						
	S-HD						
9.0	NLC						
	LC						
	S-HD						
7.5	NLC					6.3# (6.3#)	
	LC					6.3# (6.3#)	
	S-HD					6.7# (6.7#)	
6.0	NLC				9.2# (9.2#)	7.6 (8.2#)	
	LC				9.2# (9.2#)	8.2 (8.2#)	
	S-HD				9.2# (9.2#)	8.2# (8.2#)	
4.5	NLC	21.0# (21.0#)	13.2# (13.2#)	10.3# (10.3#)	7.3 (8.7#)	5.4 (6.1#)	
	LC	21.0# (21.0#)	13.2# (13.2#)	10.3# (10.3#)	7.9 (8.7#)	5.9 (6.1#)	
	S-HD	21.5# (21.5#)	13.4# (13.4#)	10.3# (10.3#)	8.7# (8.7#)	6.3# (6.3#)	
3.0	NLC		14.4 (16.0#)	9.6 (11.5#)	7.0 (9.3#)	5.3 (8.0#)	
	LC		15.8 (16.0#)	10.4 (11.5#)	7.5 (9.3#)	5.7 (8.0#)	
	S-HD		16.2# (16.2#)	11.6# (11.6#)	9.2 (9.3#)	7.0 (8.0#)	
1.5	NLC		13.3 (17.6#)	9.0 (12.5#)	6.6 (9.8#)	5.1 (8.2#)	
	LC		14.7 (17.6#)	9.8 (12.5#)	7.2 (9.8#)	5.6 (8.2#)	
	S-HD		17.6# (17.6#)	12.1 (12.5#)	8.9 (9.8#)	6.8 (8.2#)	
0	NLC		13.0 (17.5#)	8.7 (12.8#)	6.4 (10.0#)	5.0 (8.0#)	
	LC		14.3 (17.5#)	9.5 (12.8#)	7.0 (10.0#)	5.4 (8.0#)	
	S-HD		17.3# (7.3#)	11.8 (12.8#)	8.6 (10.0#)	6.7 (8.0#)	
-1.5	NLC	14.6# (14.6#)	12.9 (16.3#)	8.5 (12.3#)	6.3 (9.6#)		
	LC	14.6# (14.6#)	14.3 (16.3#)	9.4 (12.3#)	6.9 (9.6#)		
	S-HD	15.0# (15.0#)	16.2# (16.2#)	11.7 (12.3#)	8.5 (9.6#)		
-3.0	NLC	18.0# (18.0#)	13.1 (14.2#)	8.6 (11.0#)	6.4 (8.3#)		
	LC	18.0# (18.0#)	14.2# (14.2#)	9.4 (11.0#)	7.0 (8.3#)		
	S-HD	17.8# (17.8#)	14.0# (14.0#)	10.9# (10.9#)	8.2# (8.2#)		
-4.5	NLC	13.1# (13.1#)	10.7# (10.7#)	8.2# (8.2#)			
	LC	13.1# (13.1#)	10.7# (10.7#)	8.2# (8.2#)			
	S-HD	12.7# (12.7#)	10.5# (10.5#)	8.0# (8.0#)			
-6.0	NLC						
	LC						
	S-HD						

Stick 3.30 m

Height (m)	Under-carriage	Radius of load from centerline of machine (m)					
		3.0	4.5	6.0	7.5	9.0	10.5
12.0	NLC						
	LC						
	S-HD						
10.5	NLC						
	LC						
	S-HD						
9.0	NLC						
	LC						
	S-HD						
7.5	NLC				7.3# (7.3#)		
	LC				7.3# (7.3#)		
	S-HD				7.3# (7.3#)		
6.0	NLC				7.5# (7.5#)	5.5# (5.5#)	
	LC				7.5# (7.5#)	5.5# (5.5#)	
	S-HD				7.5# (7.5#)	5.7# (5.7#)	
4.5	NLC			9.3# (9.3#)	7.4 (8.0#)	5.5 (7.2#)	
	LC			9.3# (9.3#)	8.0 (8.0#)	5.9 (7.2#)	
	S-HD			9.4# (9.4#)	8.1# (8.1#)	7.2 (7.3#)	
3.0	NLC	8.7# (8.7#)	14.6# (14.6#)	9.8 (10.7#)	7.0 (8.7#)	5.2 (7.6#)	
	LC	8.7# (8.7#)	14.6# (14.6#)	10.6 (10.7#)	7.6 (8.7#)	5.7 (7.6#)	
	S-HD	8.0# (8.0#)	14.7# (14.7#)	10.8# (10.8#)	8.8# (8.8#)	7.0 (7.6#)	
1.5	NLC		13.6 (16.8#)	9.1 (11.9#)	6.6 (9.4#)	5.0 (7.9#)	
	LC		14.9 (16.8#)	9.9 (11.9#)	7.2 (9.4#)	5.5 (7.9#)	
	S-HD		16.9# (16.9#)	12.0# (12.0#)	8.8 (9.4#)	6.8 (7.9#)	
0	NLC	8.6# (8.6#)	12.9 (17.5#)	8.6 (12.6#)	6.3 (9.8#)	4.9 (8.0#)	
	LC	8.6# (8.6#)	14.3 (17.5#)	9.4 (12.6#)	6.9 (9.8#)	5.3 (8.0#)	
	S-HD	8.8# (8.8#)	17.5# (17.5#)	11.7 (12.6#)	8.6 (9.8#)	6.6 (8.0#)	
-1.5	NLC	13.2# (13.2#)	12.7 (16.9#)	8.4 (12.5#)	6.2 (9.7#)	4.8 (7.7#)	
	LC	13.2# (13.2#)	14.1 (16.9#)	9.2 (12.5#)	6.7 (9.7#)	5.3 (7.7#)	
	S-HD	13.4# (13.4#)	16.8# (16.8#)	11.5 (12.4#)	8.4 (9.7#)	6.5 (7.6#)	
-3.0	NLC	18.7# (18.7#)	12.8 (15.3#)	8.4 (11.5#)	6.2 (8.9#)		
	LC	18.7# (18.7#)	14.1 (15.3#)	9.2 (11.5#)	6.7 (8.9#)		
	S-HD	19.0# (19.0#)	15.2# (15.2#)	11.5# (11.5#)	8.4 (8.8#)		
-4.5	NLC	16.5# (16.5#)	12.5# (12.5#)	8.6 (9.5#)	6.4 (6.8#)		
	LC	16.5# (16.5#)	12.5# (12.5#)	9.4 (9.5#)	6.8# (6.8#)		
	S-HD	16.2# (16.2#)	12.3# (12.3#)	9.4# (9.4#)			
-6.0	NLC		7.7# (7.7#)				
	LC		7.7# (7.7#)				
	S-HD		7.4# (7.4#)				

Stick 4.10 m

Height (m)	Under-carriage	Radius of load from centerline of machine (m)					
		3.0	4.5	6.0	7.5	9.0	10.5
12.0	NLC						
	LC						
	S-HD						
10.5	NLC						
	LC						
	S-HD						
9.0	NLC						
	LC						
	S-HD						
7.5	NLC					3.9# (3.9#)	
	LC					3.9# (3.9#)	
	S-HD					4.1# (4.1#)	
6.0	NLC					5.7 (6.0#)	
	LC					6.0# (6.0#)	
	S-HD					6.0# (6.0#)	
4.5	NLC					7.2# (7.2#)	
	LC					7.2# (7.2#)	
	S-HD					7.3# (7.3#)	
3.0	NLC	20.4# (20.4#)	12.8# (12.8#)	9.7# (9.7#)	7.1 (8.0#)	5.3 (7.0#)	4.0 (4.2#)
	LC	20.4# (20.4#)	12.8# (12.8#)	9.7# (9.7#)	7.7 (8.0#)	5.7 (7.0#)	4.2# (4.2#)
	S-HD	20.8# (20.8#)	12.9# (12.9#)	9.8# (9.8#)	8.1# (8.1#)	7.0 (7.0#)	4.2# (4.2#)
1.5	NLC	10.2# (10.2#)	14.0 (15.6#)	9.3 (11.1#)	6.7 (8.8#)	5.0 (7.4#)	3.9 (4.7#)
	LC	10.2# (10.2#)	15.4 (15.6#)	10.1 (11.1#)	7.3 (8.8#)	5.5 (7.4#)	4.3 (4.7#)
	S-HD	10.0# (10.0#)	15.7# (15.7#)	11.2# (11.2#)	8.9# (8.9#)	6.8 (7.5#)	4.7# (4.7#)
0	NLC	10.1# (10.1#)	13.0 (17.1#)	8.7 (12.1#)	6.3 (9.4#)	4.8 (7.7#)	3.8 (3.9#)
	LC	10.1# (10.1#)	14.4 (17.1#)	9.5 (12.1#)	6.9 (9.4#)	5.3 (7.7#)	3.9# (3.9#)
	S-HD	10.2# (10.2#)	17.1# (17.1#)	11.8 (12.1#)	8.5 (9.4#)	6.5 (7.7#)	
-1.5	NLC	12.8# (12.8#)	12.6 (17.2#)	8.3 (12.4#)	6.1 (9.6#)	4.7 (7.7#)	
	LC	12.8# (12.8#)	14.0 (17.2#)	9.1 (12.4#)	6.7 (9.6#)	5.1 (7.7#)	
	S-HD	13.0# (13.0#)	17.2# (17.2#)	11.4 (12.4#)	8.3 (9.6#)	6.4 (7.7#)	
-3.0	NLC	16.7# (16.7#)	12.5 (16.2#)	8.2 (12.0#)	6.0 (9.2#)	4.6 (7.2#)	
	LC	16.7# (16.7#)	13.9 (16.2#)	9.0 (12.0#)	6.6 (9.2#)	5.1 (7.2#)	
	S-HD	16.9# (16.9#)	16.1# (16.1#)	11.3 (11.9#)	8.2 (9.2#)	6.4 (7.1#)	
-4.5	NLC	19.8# (19.8#)	12.7 (14.1#)	8.3 (10.6#)	6.0 (8.0#)		
	LC	19.8# (19.8#)	14.0 (14.1#)	9.1 (10.6#)	6.6 (8.0#)		
	S-HD	19.6# (19.6#)	14.0# (14.0#)	10.5# (10.5#)	7.9# (7.9#)		
-6.0	NLC		14.1# (14.1#)	10.5# (10.5#)	7.8# (7.8#)		
	LC		14.1# (14.1#)	10.5# (10.5#)	7.8# (7.8#)		
	S-HD		13.7# (13.7#)	10.2# (10.2#)	7.6# (7.6#)		

The lift capacities on the load hook of the Liebherr quick change adapter 66 without attachment are stated in metric tonnes (t), and can be lifted 360° on firm, level supporting surface. Values quoted in brackets are valid for the undercarriage when in longitudinal position. Capacities are valid for 600 mm wide triple grouser pads. Indicated loads are based on ISO 10567 standard and do not exceed 75% of tipping or 87% of hydraulic capacity (indicated via #). Maximum load for the quick change adapter's load hook is 18 t. Without quick change adapter the lift capacities will increase by 450 kg, without bucket cylinder, link and lever they increase by an additional 590 kg. Lifting capacity of the excavator is limited by machine stability, hydraulic capacity and maximum permissible load of the load hook.

According to European Standard, EN 474-5: In the European Union excavators have to be equipped with an overload warning device, a load diagram and automatic check valves on the hoist cylinders, when they are used for lifting operations which require the use of lifting accessories.

Lift Capacities

with Hydr. Adjustable Boom 4.30 m and Heavy Counterweight

Stick 2.10 m

Height (m)	Under-carriage	Radius of load from centerline of machine (m)					
		3.0	4.5	6.0	7.5	9.0	10.5
12.0	NLC						
	LC S-HD						
10.5	NLC		12.2# (12.2#)				
	LC S-HD		12.2# (12.2#) 12.5# (12.5#)				
9.0	NLC		14.0# (14.0#)	11.1 (11.9#)			
	LC S-HD		14.0# (14.0#) 14.0# (14.0#)	11.7# (11.9#) 11.9# (11.9#)			
7.5	NLC	14.8# (14.8#)	15.6# (15.6#)	10.9 (12.0#)	7.6 (9.7#)		
	LC S-HD	14.8# (14.8#) 15.1# (15.1#)	15.6# (15.6#) 15.7# (15.7#)	11.6# (12.0#) 12.0# (12.0#)	8.2 (9.7#) 9.6 (9.7#)		
6.0	NLC	24.8# (24.8#)	24.8# (24.8#)	10.6# (12.2#)	7.7 (9.7#)	5.1 (7.9#)	
	LC S-HD	24.8# (24.8#) 23.8# (23.8#)	16.5# (16.5#) 16.6# (16.6#)	11.2# (12.2#) 12.3# (12.3#)	8.2# (9.7#) 9.4 (9.7#)	5.6 (7.9#) 6.9 (7.9#)	
4.5	NLC	20.4# (20.4#)	14.9 (16.7#)	10.3# (12.4#)	7.6 (9.7#)	5.2 (7.8#)	
	LC S-HD	20.4# (20.4#) 19.3# (19.3#)	15.9# (16.7#) 16.8# (16.8#)	10.9 (12.4#) 12.3 (12.4#)	8.1# (9.7#) 9.2 (9.7#)	5.6 (7.8#) 6.9 (7.8#)	
3.0	NLC		14.6 (16.5#)	10.1 (12.1#)	7.3 (9.5#)	5.0 (7.7#)	
	LC S-HD		15.5 (16.5#) 16.5# (16.5#)	10.7 (12.1#) 12.0# (12.1#)	7.9 (9.5#) 9.1 (9.5#)	5.5 (7.7#) 6.8 (7.7#)	
1.5	NLC		13.9 (16.8#)	9.5 (12.1#)	6.9 (9.4#)	4.8 (7.7#)	
	LC S-HD		15.4 (16.8#) 16.8# (16.8#)	10.3 (12.1#) 12.0# (12.1#)	7.5 (9.4#) 9.2 (9.4#)	5.3 (7.7#) 6.6 (7.6#)	
0	NLC	16.4# (16.4#)	13.2 (17.0#)	8.9 (12.2#)	6.5 (9.6#)	4.6 (7.0#)	
	LC S-HD	16.4# (16.4#) 16.8# (16.8#)	14.6 (17.0#) 17.0# (17.0#)	9.8 (12.2#) 12.1 (12.3#)	7.1 (9.6#) 8.8 (9.6#)	5.1 (7.0#) 6.4 (6.9#)	
-1.5	NLC	24.8# (24.8#)	17.9 (16.9#)	8.6 (12.4#)	6.2 (9.2#)	4.5 (4.8#)	
	LC S-HD	24.8# (24.8#) 24.7# (24.7#)	14.3 (16.9#) 16.9# (16.9#)	9.5 (12.4#) 11.8 (12.4#)	6.8 (9.2#) 8.4 (9.0#)	4.8# (4.8#) 4.4# (4.4#)	
-3.0	NLC	22.4# (22.4#)	13.0 (15.6#)	8.5 (11.1#)	6.0 (6.4#)		
	LC S-HD	22.4# (22.4#) 22.2# (22.2#)	14.3 (15.6#) 15.5# (15.5#)	9.3 (11.1#) 11.0# (11.0#)	6.4# (6.4#) 6.0# (6.0#)		
-4.5	NLC	17.6# (17.6#)	10.9# (10.9#)	5.5# (5.5#)			
	LC S-HD	17.6# (17.6#) 17.2# (17.2#)	10.9# (10.9#) 10.7# (10.7#)	5.5# (5.5#) 4.8# (4.8#)			
-6.0	NLC						
	LC S-HD						

Stick 2.60 m

Height (m)	Under-carriage	Radius of load from centerline of machine (m)					
		3.0	4.5	6.0	7.5	9.0	10.5
12.0	NLC						
	LC S-HD						
10.5	NLC		11.3# (11.3#)	7.8# (7.8#)			
	LC S-HD		11.3# (11.3#) 11.4# (11.4#)	7.8# (7.8#) 8.4# (8.4#)			
9.0	NLC		11.3# (11.3#)	11.1 (11.3#)	7.5# (8.5#)		
	LC S-HD		11.3# (11.3#) 11.3# (11.3#)	11.3# (11.3#) 11.3# (11.3#)	8.0 (8.5#) 8.8# (8.8#)		
7.5	NLC		12.3# (12.3#)	11.0 (11.6#)	7.8 (9.5#)		
	LC S-HD		12.3# (12.3#) 12.4# (12.4#)	11.6# (11.6#) 11.7# (11.7#)	8.3 (9.5#) 9.5# (9.5#)		
6.0	NLC	24.6# (24.6#)	16.0# (16.0#)	10.6 (12.0#)	7.8# (9.6#)	5.4 (7.9#)	
	LC S-HD	24.6# (24.6#) 24.8# (24.8#)	16.0# (16.0#) 16.1# (16.1#)	11.3 (12.0#) 12.0# (12.0#)	8.2# (9.6#) 9.4 (9.6#)	5.9 (7.8#) 7.1 (7.8#)	
4.5	NLC	21.5# (21.5#)	15.1# (16.9#)	10.2 (12.3#)	7.6 (9.6#)	5.3 (7.7#)	
	LC S-HD	21.5# (21.5#) 20.7# (20.7#)	16.0# (16.9#) 17.0# (17.0#)	10.9 (12.3#) 12.3# (12.3#)	8.0# (9.6#) 9.2# (9.6#)	5.8 (7.7#) 7.1 (7.7#)	
3.0	NLC		17.6# (17.6#)	14.7 (16.5#)	10.0 (12.1#)	7.4 (9.4#)	
	LC S-HD		17.6# (17.6#) 16.2# (16.2#)	15.5# (16.5#) 16.5# (16.5#)	10.7# (12.1#) 12.0 (12.1#)	8.0 (9.4#) 9.0 (9.4#)	5.7 (7.6#) 7.0 (7.6#)
1.5	NLC		14.3 (16.6#)	9.6 (12.0#)	7.0 (9.3#)	4.9 (7.6#)	
	LC S-HD		15.5 (16.6#) 16.6# (16.6#)	10.5 (12.0#) 11.9# (12.0#)	7.6 (9.3#) 9.0 (9.3#)	5.4 (7.6#) 6.7 (7.6#)	
0	NLC	16.1# (16.1#)	13.4 (16.8#)	9.0 (12.1#)	6.6 (9.4#)	4.7 (7.5#)	
	LC S-HD	16.1# (16.1#) 16.4# (16.4#)	14.8 (16.8#) 16.8# (16.8#)	9.8 (12.1#) 12.0# (12.1#)	7.2 (9.4#) 8.9 (9.4#)	5.2 (7.6#) 6.5 (7.5#)	
-1.5	NLC	22.1# (22.1#)	12.9 (17.0#)	8.6 (12.3#)	6.3 (9.5#)	4.5 (6.3#)	
	LC S-HD	22.1# (22.1#) 22.4# (22.4#)	14.3 (17.0#) 17.0# (17.0#)	9.5 (12.3#) 11.8 (12.3#)	6.9 (9.5#) 8.5 (9.5#)	5.0 (6.3#) 6.3 (6.3#)	
-3.0	NLC	23.9# (23.9#)	12.8 (16.2#)	8.5 (11.9#)	6.0 (8.0#)	2.2# (2.2#)	
	LC S-HD	23.9# (23.9#) 23.7# (23.7#)	14.2 (16.2#) 16.1# (16.1#)	9.3 (11.9#) 11.7 (11.8#)	6.6 (8.0#) 7.7# (7.7#)	2.2# (2.2#) 2.1# (2.1#)	
-4.5	NLC	19.9# (19.9#)	13.1 (13.8#)	8.0# (8.0#)	2.8# (2.8#)		
	LC S-HD	19.9# (19.9#) 19.6# (19.6#)	13.8# (13.8#) 13.6# (13.6#)	8.0# (8.0#) 7.8# (7.8#)	2.8# (2.8#) 2.8# (2.8#)		
-6.0	NLC						
	LC S-HD						

Stick 3.30 m

Height (m)	Under-carriage	Radius of load from centerline of machine (m)					
		3.0	4.5	6.0	7.5	9.0	10.5
12.0	NLC		8.1# (8.1#)				
	LC S-HD		8.1# (8.1#) 8.4# (8.4#)				
10.5	NLC		9.2# (9.2#)	8.6# (8.6#)			
	LC S-HD		9.2# (9.2#) 8.7# (8.7#)	8.6# (8.6#) 8.7# (8.7#)			
9.0	NLC			9.0# (9.0#)	7.8 (8.5#)		
	LC S-HD			9.0# (9.0#) 9.0# (9.0#)	8.3# (8.5#) 8.5# (8.5#)		
7.5	NLC		8.6# (8.6#)	9.6# (9.6#)	7.9# (9.1#)	5.5 (7.7#)	
	LC S-HD		8.6# (8.6#) 8.7# (8.7#)	9.6# (9.6#) 9.7# (9.7#)	8.4# (9.1#) 9.1# (9.1#)	6.0 (7.7#) 7.3 (7.7#)	
6.0	NLC	10.1# (10.1#)	11.6# (11.6#)	10.7 (11.4#)	7.7 (9.2#)	5.6 (7.7#)	
	LC S-HD	10.1# (10.1#) 10.8# (10.8#)	11.6# (11.6#) 11.9# (11.9#)	11.3 (11.4#) 11.5# (11.5#)	8.2 (9.2#) 9.3# (9.3#)	6.1 (7.7#) 7.2 (7.7#)	
4.5	NLC	23.6# (23.6#)	15.3 (16.4#)	10.2# (11.9#)	7.6# (9.4#)	5.6 (7.6#)	3.8 (6.2#)
	LC S-HD	23.6# (23.6#) 23.2# (23.2#)	16.2 (16.4#) 16.4# (16.4#)	10.9 (11.9#) 12.0# (12.0#)	8.0 (9.4#) 9.1# (9.4#)	6.0 (7.6#) 7.1# (7.6#)	4.2 (6.2#) 5.3 (6.2#)
3.0	NLC	21.0# (21.0#)	14.6# (16.6#)	9.9 (12.1#)	7.4# (9.3#)	5.4 (7.5#)	3.7 (6.2#)
	LC S-HD	21.0# (21.0#) 20.8# (20.8#)	15.5 (16.6#) 16.6# (16.6#)	10.6 (12.1#) 11.9# (12.1#)	7.8 (9.3#) 8.9 (9.3#)	5.9 (7.5#) 7.0# (7.5#)	4.1 (6.2#) 5.2 (6.2#)
1.5	NLC	16.0# (16.0#)	14.3 (16.4#)	9.8 (11.8#)	7.0 (9.2#)	5.1 (7.4#)	3.6 (6.0#)
	LC S-HD	16.0# (16.0#) 15.8# (15.8#)	15.3 (16.4#) 16.4# (16.4#)	10.4 (11.8#) 11.7# (11.8#)	7.6 (9.2#) 8.8# (9.1#)	5.6 (7.4#) 6.9 (7.4#)	4.0 (6.0#) 5.0 (6.0#)
0	NLC	16.1# (16.1#)	13.6 (16.5#)	9.1 (11.8#)	6.6 (9.1#)	4.8 (7.5#)	3.5 (5.4#)
	LC S-HD	16.1# (16.1#) 16.3# (16.3#)	15.0 (16.5#) 16.5# (16.5#)	9.9 (11.8#) 11.7# (11.8#)	7.2 (9.1#) 8.9 (9.1#)	5.3 (7.5#) 6.6 (7.5#)	3.8 (5.4#) 4.9 (5.3#)
-1.5	NLC	19.8# (19.8#)	12.9 (16.8#)	8.6 (12.0#)	6.3 (9.4#)	4.5 (7.2#)	3.3# (3.3#)
	LC S-HD	19.8# (19.8#) 20.1# (20.1#)	14.3 (16.8#) 16.8# (16.8#)	9.4 (12.0#) 11.8 (12.0#)	6.9 (9.4#) 8.5 (9.4#)	5.0 (7.2#) 6.3 (7.2#)	3.3# (3.3#) 3.0# (3.0#)
-3.0	NLC	24.6 (24.9#)	12.6 (16.5#)	8.3 (12.0#)	6.0 (9.0#)	4.4 (5.5#)	
	LC S-HD	24.9# (24.9#) 25.1# (25.1#)	14.0 (16.5#) 16.5# (16.5#)	9.2 (12.0#) 11.5 (12.0#)	6.6 (9.0#) 8.3 (8.9#)	4.8 (5.5#) 5.2# (5.2#)	
-4.5	NLC	22.2# (22.2#)	12.7 (15.0#)	8.3 (10.6#)	5.8 (5.9#)		
	LC S-HD	22.2# (22.2#) 22.0# (22.0#)	14.1 (15.0#) 14.9# (14.9#)	9.2 (10.6#) 10.3# (10.3#)	5.9# (5.9#) 5.8# (5.8#)		
-6.0	NLC	16.2# (16.2#)	9.0# (9.0#)	3.8# (3.8#)			
	LC S-HD	16.2# (16.2#) 14.9# (14.9#)	9.0# (9.0#) 8.7# (8.7#)	3.8# (3.8#) 3.5# (3.5#)			

Stick 4.10 m

Height (m)	Under-carriage	Radius of load from centerline of machine (m)					
		3.0	4.5	6.0	7.5	9.0	10.5
12.0	NLC			5.6# (5.6#)			
	LC S-HD			5.6# (5.6#) 5.9# (5.9#)			
10.5	NLC			7.1# (7.1#)	6.0# (6.0#)		
	LC S-HD			7.1# (7.1#) 7.1# (7.1#)	6.0# (6.0#) 6.1# (6.1#)		
9.0	NLC			7.0# (7.0#)	7.0# (7.0#)	5.6 (5.6#)	
	LC S-HD			7.0# (7.0#) 7.1# (7.1#)	7.0# (7.0#) 7.0# (7.0#)	5.6# (5.6#) 5.7# (5.7#)	
7.5	NLC			7.3# (7.3#)	7.5# (7.5#)	5.8 (7.0#)	3.8# (3.8#)
	LC S-HD			7.3# (7.3#) 7.3# (7.3#)	7.5# (7.5#) 7.5# (7.5#)	6.2 (7.0#) 7.0# (7.0#)	3.8# (3.8#) 4.0# (4.0#)
6.0	NLC			7.6# (7.6#)	8.6# (8.6#)	7.7 (8.5#)	4.1 (6.1#)
	LC S-HD			7.6# (7.6#) 7.8# (7.8#)	8.6# (8.6#) 8.7# (8.7#)	8.2# (8.5#) 8.6# (8.6#)	4.4 (6.1#) 5.4 (6.2#)
4.5	NLC	24.2# (24.2#)	15.5# (15.5#)	10.4 (11.5#)	7.5 (9.1#)	5.8 (7.5#)	4.0 (6.2#)
	LC S-HD	24.2# (24.2#) 24.4# (24.4#)	15.5# (15.5#) 15.6# (15.6#)	11.0 (11.5#) 11.5# (11.5#)	8.0# (9.1#) 9.1# (9.1#)	6.1 (7.5#) 7.0# (7.5#)	4.4# (6.2#) 5.4 (6.2#)
3.0	NLC	21.7# (21.7#)	14.7# (16.5#)	10.0 (11.9#)	7.3 (9.2#)	5.6 (7.4#)	3.9 (6.1#)
	LC S-HD	21.7# (21.7#) 21.9# (21.9#)	15.6# (16.5#) 16.5# (16.5#)	10.5 (11.9#) 11.9# (11.9#)	7.7# (9.2#) 8.8 (9.2#)	6.1 (7.4#) 6.9 (7.4#)	4.3 (6.1#) 5.3 (6.1#)
1.5	NLC	21.5# (21.5#)	14.3 (16.2#)	9.7 (11.7#)	7.2 (9.0#)	5.3 (7.3#)	3.7 (6.0#)
	LC S-HD	21.5# (21.5#) 21.8# (21.8#)	15.1 (16.2#) 16.2# (16.2#)	10.2# (11.7#) 11.6# (11.7#)	7.6 (9.0#) 8.7 (9.0#)	5.8 (7.3#) 6.8# (7.3#)	4.1 (6.0#) 5.2 (6.0#)
0	NLC	18.1# (18.1#)	14.0 (16.1#)	9.3 (11.6#)	6.7 (8.9#)	5.0 (7.2#)	3.5 (5.9#)
	LC S-HD	18.1# (18.1#) 18.1# (18.1#)	15.0# (16.1#) 16.2# (16.2#)	10.1 (11.6#) 11.5 (11.6#)	7.3 (8.9#) 8.6# (8.9#)	5.5 (7.2#) 6.7 (7.2#)	3.9 (5.9#) 5.0 (5.9#)
-1.5	NLC	19.1# (19.1#)	13.0 (16.3#)	8.6 (11.7#)	6.3 (9.0#)	4.6 (7.3#)	3.3 (5.3#)
	LC S-HD	19.1# (19.1#) 19.2# (19.2#)	14.4 (16.3#) 16.3# (16.3#)	9.5 (11.7#) 11.6# (11.7#)	6.9 (9.0#) 8.5 (9.0#)	5.1 (7.3#) 6.4 (7.3#)	3.7 (5.3#) 4.8 (5.2#)

Lift Capacities

with Straight Gooseneck Boom 6.80 m and Heavy Counterweight

Stick 2.10 m

Height (m)	Under-carriage	Radius of load from centerline of machine (m)					
		3.0	4.5	6.0	7.5	9.0	10.5
12.0	NLC						
	LC						
	S-HD						
10.5	NLC						
	LC						
	S-HD						
9.0	NLC			9.4# (9.4#)			
	LC			9.4# (9.4#)			
	S-HD			9.9# (9.9#)			
7.5	NLC			10.8# (10.8#)	7.4 (8.2#)		
	LC			10.8# (10.8#)	8.0 (8.2#)		
	S-HD			10.8# (10.8#)	8.7# (8.7#)		
6.0	NLC	21.1# (21.1#)	14.4# (14.4#)	10.4 (11.3#)	7.3 (9.5#)		
	LC	21.1# (21.1#)	14.4# (14.4#)	11.3 (11.3#)	7.9 (9.5#)		
	S-HD	21.4# (21.4#)	14.5# (14.5#)	11.3# (11.3#)	9.5# (9.5#)		
4.5	NLC		14.7 (16.5#)	9.8 (12.1#)	7.0 (9.8#)	5.3 (7.8#)	
	LC		16.1 (16.5#)	10.6 (12.1#)	7.6 (9.8#)	5.7 (7.8#)	
	S-HD		16.6# (16.6#)	12.1# (12.1#)	9.3 (9.8#)	7.0 (8.1#)	
3.0	NLC			9.1 (12.8#)	6.7 (10.0#)	5.1 (8.2#)	
	LC			9.9 (12.8#)	7.3 (10.0#)	5.6 (8.2#)	
	S-HD			12.2 (12.8#)	8.9 (10.0#)	6.9 (8.2#)	
1.5	NLC			8.6 (12.8#)	6.4 (10.0#)	5.0 (8.0#)	
	LC			9.4 (12.8#)	7.0 (10.0#)	5.4 (8.0#)	
	S-HD			11.7 (12.7#)	8.6 (10.0#)	6.7 (8.0#)	
0	NLC		12.8 (13.3#)	8.4 (11.9#)	6.3 (9.4#)	4.9 (7.3#)	
	LC		13.3# (13.3#)	9.2 (11.9#)	6.8 (9.4#)	5.4 (7.3#)	
	S-HD		13.8# (13.8#)	11.5 (11.9#)	8.5 (9.4#)	6.7 (7.2#)	
-1.5	NLC		11.8# (11.8#)	8.4 (10.3#)	6.2 (8.2#)		
	LC		11.8# (11.8#)	9.2 (10.3#)	6.8 (8.2#)		
	S-HD		11.7# (11.7#)	10.2# (10.2#)	8.1# (8.1#)		
-3.0	NLC		8.7# (8.7#)	7.8# (7.8#)	5.9# (5.9#)		
	LC		8.7# (8.7#)	7.8# (7.8#)	5.9# (5.9#)		
	S-HD		8.5# (8.5#)	7.6# (7.6#)	5.7# (5.7#)		
-4.5	NLC						
	LC						
	S-HD						
-6.0	NLC						
	LC						
	S-HD						

Stick 2.60 m

Height (m)	Under-carriage	Radius of load from centerline of machine (m)					
		3.0	4.5	6.0	7.5	9.0	10.5
12.0	NLC						
	LC						
	S-HD						
10.5	NLC						
	LC						
	S-HD						
9.0	NLC					10.1# (10.1#)	
	LC					10.1# (10.1#)	
	S-HD					10.2# (10.2#)	
7.5	NLC					10.2# (10.2#)	7.6 (9.0#)
	LC					10.2# (10.2#)	8.2 (9.0#)
	S-HD					10.2# (10.2#)	9.0# (9.0#)
6.0	NLC						
	LC			13.5# (13.5#)	10.6 (10.8#)	7.4 (9.1#)	5.4 (6.2#)
	S-HD			13.5# (13.5#)	10.8# (10.8#)	8.0 (9.1#)	5.9 (6.2#)
4.5	NLC						
	LC						
	S-HD						
3.0	NLC						
	LC						
	S-HD						
1.5	NLC						
	LC						
	S-HD						
0	NLC						
	LC						
	S-HD						
-1.5	NLC						
	LC						
	S-HD						
-3.0	NLC						
	LC						
	S-HD						
-4.5	NLC						
	LC						
	S-HD						
-6.0	NLC						
	LC						
	S-HD						

Stick 3.30 m

Height (m)	Under-carriage	Radius of load from centerline of machine (m)					
		3.0	4.5	6.0	7.5	9.0	10.5
12.0	NLC						
	LC						
	S-HD						
10.5	NLC						
	LC			6.6# (6.6#)			
	S-HD			6.6# (6.6#)			
9.0	NLC					6.7# (6.7#)	
	LC					6.7# (6.7#)	
	S-HD					6.9# (6.9#)	
7.5	NLC						
	LC						
	S-HD						
6.0	NLC						
	LC						
	S-HD						
4.5	NLC						
	LC						
	S-HD						
3.0	NLC						
	LC						
	S-HD						
1.5	NLC						
	LC						
	S-HD						
0	NLC						
	LC						
	S-HD						
-1.5	NLC						
	LC						
	S-HD						
-3.0	NLC						
	LC						
	S-HD						
-4.5	NLC						
	LC						
	S-HD						
-6.0	NLC						
	LC						
	S-HD						

Stick 4.10 m

Height (m)	Under-carriage	Radius of load from centerline of machine (m)					
		3.0	4.5	6.0	7.5	9.0	10.5
12.0	NLC						
	LC						
	S-HD						
10.5	NLC						
	LC						
	S-HD						
9.0	NLC						
	LC						
	S-HD						
7.5	NLC						
	LC						
	S-HD						
6.0	NLC						
	LC						
	S-HD						
4.5	NLC						
	LC						
	S-HD						
3.0	NLC						
	LC						
	S-HD						
1.5	NLC						
	LC						
	S-HD						
0	NLC						
	LC						
	S-HD						
-1.5	NLC						
	LC						
	S-HD						
-3.0	NLC						
	LC						
	S-HD						
-4.5	NLC						
	LC						
	S-HD						
-6.0	NLC						
	LC						
	S-HD						

The lift capacities on the load hook of the Liebherr quick change adapter 66 without attachment are stated in metric tonnes (t), and can be lifted 360° on firm, level supporting surface. Values quoted in brackets are valid for the undercarriage when in longitudinal position. Capacities are valid for 600 mm wide triple grouser pads. Indicated loads are based on ISO 10567 standard and do not exceed 75% of tipping or 87% of hydraulic capacity (indicated via #). Maximum load for the quick change adapter's load hook is 18 t. Without quick change adapter the lift capacities will increase by 450 kg, without bucket cylinder, link and lever they increase by an additional 590 kg. Lifting capacity of the excavator is limited by machine stability, hydraulic capacity and maximum permissible load of the load hook.

According to European Standard, EN 474-5: In the European Union excavators have to be equipped with an overload warning device, a load diagram and automatic check valves on the hoist cylinders, when they are used for lifting operations which require the use of lifting accessories.

Available Buckets

Stick 2.10 m/2.60 m/3.30 m/4.10 m

Mounting	Execution	Width (mm)	Capacity (m ³)	Teeth	Number of teeth	Weight (kg)
Direct	STD	1,200	1.25	Z 50	4	1,280
Direct	STD	1,350	1.50	Z 50	4	1,370
Direct	STD	1,500	1.75	Z 50	4	1,460
Direct	STD	1,650	2.00	Z 50	5	1,580
Direct	STD	1,650	2.25	Z 50	5	1,690
Direct	STD	1,850	2.50	Z 50	6	1,810
Direct	HD	1,200	1.25	Z 50	4	1,380
Direct	HD	1,350	1.50	Z 50	4	1,470
Direct	HD	1,500	1.75	Z 50	4	1,560
Direct	HD	1,650	2.00	Z 50	5	1,700
Direct	HD	1,650	2.25	Z 50	5	1,820
Direct	HD	1,850	2.50	Z 50	6	1,990
SW 66	STD	1,050	1.00	Z 50	4	1,150
SW 66	STD	1,200	1.25	Z 50	4	1,240
SW 66	STD	1,350	1.50	Z 50	4	1,330
SW 66	STD	1,500	1.75	Z 50	4	1,420
SW 66	STD	1,650	2.00	Z 50	5	1,540
SW 66	STD	1,650	2.25	Z 50	5	1,650
SW 66	STD	1,850	2.50	Z 50	6	1,770
SW 66	HD	1,050	1.00	Z 50	4	1,230
SW 66	HD	1,200	1.25	Z 50	4	1,340
SW 66	HD	1,350	1.50	Z 50	4	1,430
SW 66	HD	1,500	1.75	Z 50	4	1,520
SW 66	HD	1,650	2.00	Z 50	5	1,660
SW 66	HD	1,650	2.25	Z 50	5	1,780
SW 66	HD	1,850	2.50	Z 50	6	1,950

Equipment



Undercarriage

Two-speed travel	•
Track guides on idler end	•
Life time lubricated track rollers	•
Track guide at each track frame	•
Tracks sealed and greased	•
Track guides at sprocket and in center	+
Sprocket with dirt ejector	+
Reinforced base-plate center-piece	+
Conversion kit – Track D 7 to D 7 G	+



Uppercarriage

Engine hood with lift help	•
Lockable tool box	•
Handrails, non slip surfaces	•
Maintenance-free swing brake lock	•
Maintenance-free HD-batteries	•
Main switch for electric circuit	•
Sound insulation	•
Extended tool kit	•
Electric fuel tank filler pump	+
Foot pedal swing positioning brake	+
Customized colors	+
Heavy counterweight	+



Hydraulics

Electronic pump regulation	•
Stepless work mode selector	•
Pressure storage for controlled lowering of attachments with engine turned off	•
Hydraulic tank shut-off valve	•
Pressure compensation	•
Flow compensation	•
Filter with integrated fine filter area (5 µm)	•
Pressure test ports	•
Additional hydraulic circuits	+
Bio-degradable hydr. oil	+
Filter for secondary circuit	+
Liebherr Tool Control	+



Engine

Unit pump system	•
Turbo charger	•
Dry-type air cleaner w/pre-cleaner, main and safety element	•
Sensor controlled engine idling	•
Engine cold starting aid	+



Operator's Cab

Load bearing sectional profile structure, covered with deep-drawn panels	•
Roof window, right window and windshield armored	•
All tinted windows	•
Right window made of one piece (without post)	•
Door with sliding window	•
Rain hood over front window opening	•
Wiper/washer	•
Emergency exit rear window	•
Sun roller blind	•
Seat and consoles independently adjustable (6-way adjustable seat)	•
Storage tray	•
Closed storage space	•
Cloth hook	•
Removable customized foot mat	•
Dome light	•
Inside rear mirror	•
Cigarette lighter and ashtray	•
Seat belt	•
Mechanical hour meters, readable from outside the cab	•
Displays for engine operating condition	•
Automatic air conditioning with defroster	•
Preparation for radio installation	•
Stereo radio	+
Electric cool box	+
Sun visor	+
Auxiliary heating	+
Additional flood lights (rear)	+
Wiper for lower window	+
Roof window wiper	+
Bullet proof window (fixed installation – can not be opened)	+
FOPS Protection	+
Air pressure operator seat with heating and head-rest	+
Electronic drive away lock	+
Beacon	+
Extinguisher	+



Attachment

Semi-automatic central lubrication system (except link and tilt geometry)	•
Cylinders with shock absorbers	•
ReGeneration plus	•
SAE split flanges on all high pressure lines	•
Work light on boom	•
Sealed pivots/O-ring sealant between bucket and stick	•
18 t lifting hook with safety link on quick-coupler	•
Automatic central lubrication system (except link and tilt geometry)	+
Central lubrication for lever with protection cover	+
Completely sealed bucket linkage	+
Overload warning device	+
Hydr. or mechanical quick change coupler	+
Likufix	+
Piston rod protection	+
Hydraulic lines for additional tools	+
Quick disconnect hose couplers for additional tools	+
Liebherr line of buckets	+
Special application buckets	+
Customized colors	+
18 t lifting hook on bucket	+

• = Standard, + = Option

Options and/or special attachments, supplied by vendors other than Liebherr, are only to be installed with the knowledge and approval of Liebherr to retain warranty.

Liebherr-France SAS

2 avenue Joseph Rey, B.P. 90287, F-68005 Colmar Cedex

+33 389 21 30 30, Fax +33 389 21 37 93

www.liebherr.com, E-Mail: info.lfr@liebherr.com