

CRL Hand Rails Online

Instructions - ARS Aluminum Railing System



CRL Hand Rails Online will allow you to create standard and custom aluminum railings and windscreens systems to enhance your overall railing production. You have the option to view 2D and 3D generated layouts. Once you construct your layout it's as easy as 1-2-3 to get a quote, print your design, installation pages, and a hardware list.

Key Points:

- Design and Layout Software Tailored for Professionals Doing Handrails, Guardrails, Glass Balustrades, and Windscreen Applications
- Innovative Web-based Program Will Create Layouts, Material/Parts Lists, and Material Cut Sizes
- No Need to Install Additional Software on Your Computer
- Six Easy Steps to Design a Railing System
- Quick Estimates and Orders Can Be Placed Right From the Program
- Continual Upgrades Allow You to Operate Program Without Having to Install Upgrade Packages
- Program Can Be Customized to Fit Your Needs

A) The opening screen allows you to start a new railing. Select **New Railing** located on the lower right corner of the screen. Then enter your job name, job number, customer name, railing location, quantity, and purchase order. Once the requested information is complete click on **View Railing** to start generating your layout.

Job Information Selection:

The screenshot shows the main job list table with columns for Job Name, Customer, Location, Quantity, Purchase Order #, Date Entered, Status, Job Number, Railing, and Quote Size #. A job for 'BALCONY RAIL' by 'TEST GLASS CO' is selected. Below the table, a detailed view for this job is shown, including fields for Job Name, Customer Name, Balustrade location, Quantity, Purchase Order #, Status, and Date Entered. A 2D railing layout diagram is also visible.

Job Name: **BALCONY RAIL**

Job Details | Contact Details | Quote Details

Customer Name: **TEST GLASS CO**

Balustrade location: **D38 - Ana Lira**

Quantity: **1**

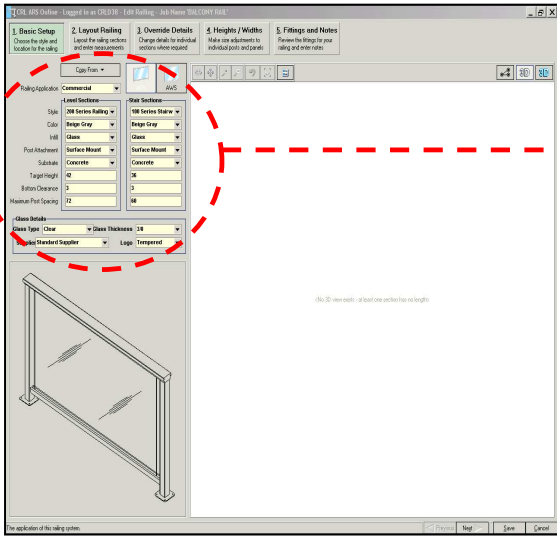
Purchase Order #:

Status: **Waiting** | Date Entered: **11/14/2008**

Private Notes:

B) In Step 1: Basic Setup, simply answer standard questions regarding your application. If you are a frequent user and have accumulated a library history just click on **Copy From** and you are half way done.

Step 1: Basic Setup

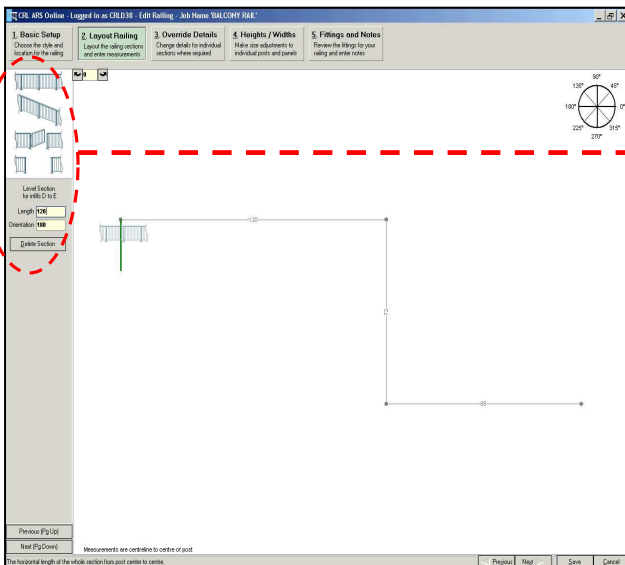


Answer Standard Questions

- Copy From** → Copy From
- Railing Application** → Railing Application Commercial
- Style** → Style 200 Series Railing
- Color** → Color Beige Gray
- Infill** → Infill Glass
- Post Attachment** → Post Attachment Surface Mount
- Substrate** → Substrate Concrete
- Target Height** → Target Height 42
- Bottom Clearance** → Bottom Clearance 3
- Max. Post Spacing** → Maximum Post Spacing 72
- Glass Details** → Glass Details
 - Glass Type: Clear
 - Glass Thickness: 3/8
 - Supplier: Standard Supplier
 - Logo: Tempered

C) In Step 2: Layout Railing, drag a line in the drawing screen and drop near a junction to add a level section, stairway, or a gap. This is a drag and drop process. **Step 2** will allow you to create standard and custom applications. The angle finder is a quick reference to determine a standard or custom angle.

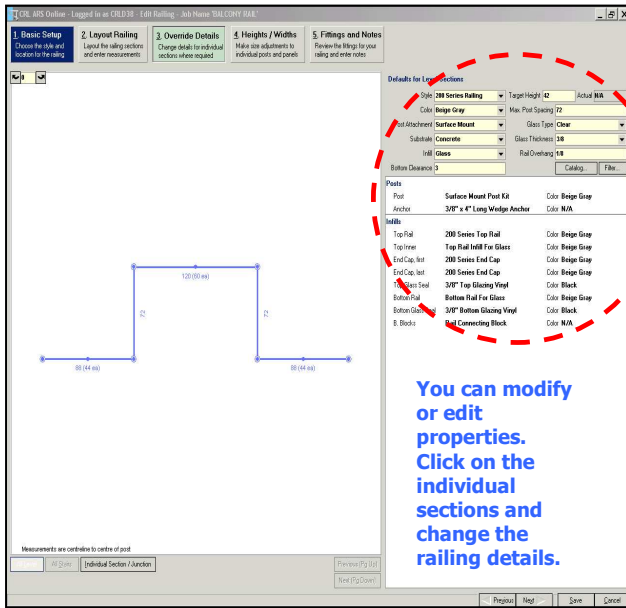
Step 2: Layout Railing



- Drag and drop to create a level section** → [Level Section Icon]
- Drag and drop to create a stair section** → [Stair Section Icon]
- Drag and drop to create a gate section** → [Gate Section Icon]
- Drag and drop to create a gap section** → [Gap Section Icon]
- Length** → Length 0
- Orientation / Angle** → Orientation 270
- Delete Section** → Delete Section

D) In Step 3: Override Details, you can modify or edit properties. Click on the individual sections and change the railing details. Here is where your imagination comes into play. You can mix and match the style, finish, attachment, substrate, parts list and more.

Step 3: Override Details



Defaults for Level Sections

Style: **200 Series Railing** Target Height: **42** Actual: **N/A**

Color: **Beige Gray** Max. Post Spacing: **72**

Post Attachment: **Surface Mount** Glass Type: **Clear**

Substrate: **Concrete** Glass Thickness: **3/8**

Infill: **Glass** Rail Overhang: **1/8**

Bottom Clearance: **3** Catalog... Filter...

Posts

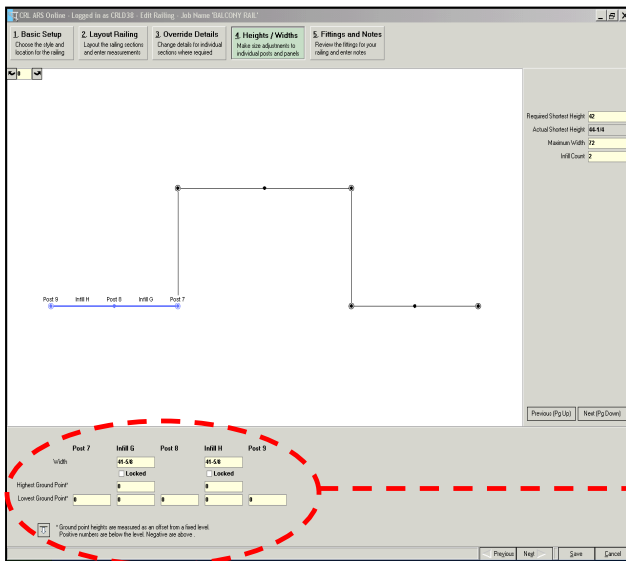
Post	Surface Mount Post Kit	Color: Beige Gray
Anchor	3/8" x 4" Long Wedge Anchor	Color: N/A

Infills

Top Rail	200 Series Top Rail	Color: Beige Gray
Top Inner	Top Rail Infill For Glass	Color: Agate Gray
End Cap, first	200 Series End Cap	Color: Beige Gray
End Cap, last	200 Series End Cap	Color: Black Matte
Top Glass Seal	3/8" Top Glazing Vinyl	Color: Bronze Matte
Bottom Rail	Bottom Rail For Glass	Color: Forest Green
Bottom Glass Seal	3/8" Bottom Glazing Vinyl	Color: Oyster White
B. Blocks	Rail Connecting Block	Color: Sky White
		Color: Special Colour
		Color: N/A

E) In Step 4: Heights / Widths, you can make size adjustments to individual post and panels. This feature is great for slopes.

Step 4: Heights / Widths



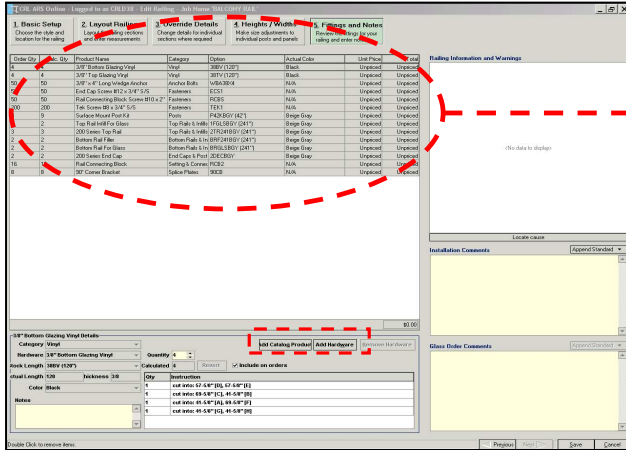
Click on an individual item and you can add, change, or delete a product. This screen will also advise the user of any warning notes and installation comments.

	Post 7	Infill G	Post 8	Infill H	Post 9
Width		41-5/8		41-5/8	
		<input type="checkbox"/> Locked		<input type="checkbox"/> Locked	
Highest Ground Point*		0		0	
Lowest Ground Point*	0	0	0	0	0

* Ground point heights are measured as an offset from a fixed level. Positive numbers are below the level. Negative are above.

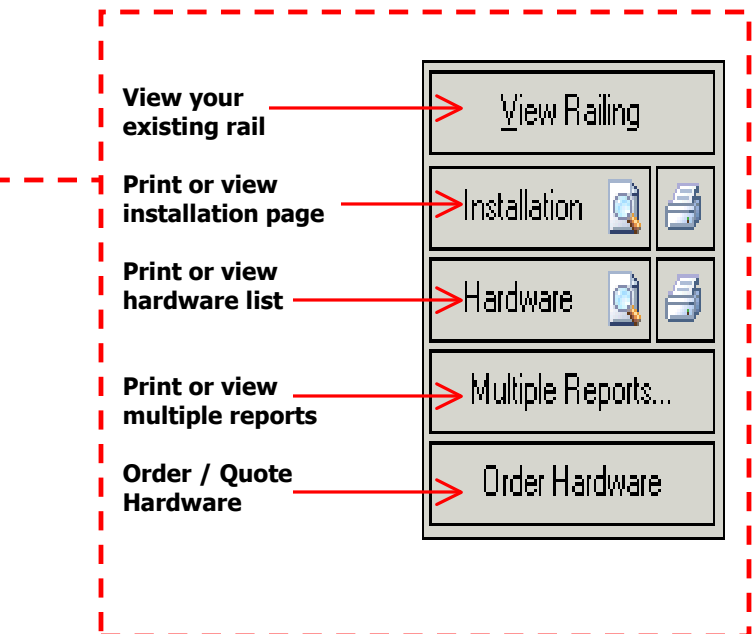
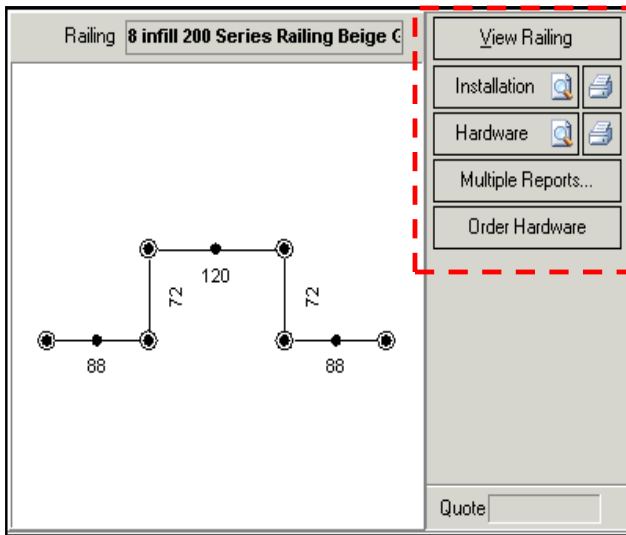
F) In Step 5: Fittings and Notes, you can review the fittings, add and delete hardware, and enter notes. This screen will advise you of any warning notes and installation comments. **Important Note:** Save the railing before you exit, close the application and save again. The program will send you back to the opening page. You can print your design, order, or request a quote.

Step 5: Fitting and Notes



Order Qty	Calc. Qty	Product Name	Category	Option	Actual Color	Unit Price	Total
4	4	3/8" Bottom Glazing Vinyl	Vinyl	38BV (120")	Black	Unpriced	Unpriced
4	4	3/8" Top Glazing Vinyl	Vinyl	38TV (120")	Black	Unpriced	Unpriced
50	50	3/8" x 4" Long Wedge Anchor	Anchor Bolts	WBA38x4	N/A	Unpriced	Unpriced
50	50	End Cap Screw #12 x 3/4" S/S	Fasteners	ECS1	N/A	Unpriced	Unpriced
50	50	Rail Connecting Block Screw #10 x 2"	Fasteners	RCBS	N/A	Unpriced	Unpriced
200	200	Tek Screw #8 x 3/4" S/S	Fasteners	TEK1	N/A	Unpriced	Unpriced
9	9	Surface Mount Post Kit	Posts	P42K8GY (42")	Beige Gray	Unpriced	Unpriced
2	2	Top Rail Infill For Glass	Top Rails & Infills	1FGL58GY (241")	Beige Gray	Unpriced	Unpriced
3	3	200 Series Top Rail	Top Rails & Infills	2TR2418GY (241")	Beige Gray	Unpriced	Unpriced
2	2	Bottom Rail Filler	Bottom Rails & In	1BRGL58GY (241")	Beige Gray	Unpriced	Unpriced
2	2	Bottom Rail For Glass	Bottom Rails & In	2BRGL58GY (241")	Beige Gray	Unpriced	Unpriced
2	2	200 Series End Cap	End Caps & Post	2DEC8GY	Beige Gray	Unpriced	Unpriced
16	16	Rail Connecting Block	Setting & Connect	RCB2	N/A	Unpriced	Unpriced
8	8	90° Corner Bracket	Splice Plates	90CB	N/A	Unpriced	Unpriced

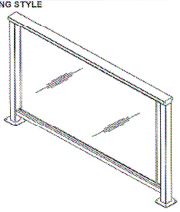
Step 6: Order / Quote Hardware



Final Product:

Technical Sales
 2503 E. Vernon Ave
 Los Angeles, CA 90058
 Phone: (800) 421-6144
 Email: crl@crlaurence.com

INSTALLATION SHEET

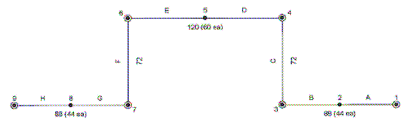


BALCONY RAIL

Customer: TEST GLASS CO
 Location: D38 - Ana Lira
 Quantity: 1

Style: 200 Series Railing
 Color: Beige Gray
 Infill: Glass
 Attachment: Surface Mount
 Substrate: Concrete
 Height: 42
 Base Gap: 3
 Post Gap: 72

PLAN VIEW



Measurements are centered to center of post

RAILING FITTINGS		Color
4	388V (100)	Black
4	387V (100)	Black

Technical Sales Page 1

Technical Sales
 2503 E. Vernon Ave
 Los Angeles, CA 90058
 Phone: (800) 421-6144
 Email: crl@crlaurence.com

Hardware List

Customer: TEST GLASS CO
 Work:
 Mobile:
 Site:

BALCONY RAIL

PO #: 11/17/2008
 Location: D38 - Ana Lira
 Quantity: 1

Quantity	Fitting Name	Actual Color	Unit Price	Subtotal
4	388V (100)	Black	Unpriced	
4	387V (100)	Black	Unpriced	
50	WSA384 (50)		Unpriced	
50	EC21 (50)		Unpriced	
50	RCB5 (50)		Unpriced	
250	TEK (50)		Unpriced	
9	FCR38V (42)	Beige Gray	Unpriced	
9	1FGLS8V (42)	Beige Gray	Unpriced	
3	2TR241BGV (42)	Beige Gray	Unpriced	
2	BR241BGV (42)	Beige Gray	Unpriced	
2	BRGLS8V (42)	Beige Gray	Unpriced	
2	2DCR38V	Beige Gray	Unpriced	
16	RCR2	Unpriced		
8	0000	Unpriced		
Total:				** \$0.00

** Some prices were supplied and were not included in the total

Technical Sales Page 1

11-17-06/11:53

C.R. LAURENCE COMPANY ***** QUOTATION ONLY *****
 CORPORATE HEADQUARTERS * CONTACT US TOLL FREE *
 2503 E. VERNON AVENUE * RFD-421-6144 * ROSTD BY D38
 LOS ANGELES, CA 90058 * OR FAX 800-587-7831 *

QUOTE # 350446 ***** PAGE 1 *****

0000170000 DATE QUOTED 11-17-08 11:50
 QUOTED TO TEST GLASS CO
 D38 TRAINING ONLY A1 DATE QUOTED 11-17-08 11:51
 2094 S VERNON AVE
 *****SHIP BY***** VALID THRU 12-17-08
 LOS ANGELES CA 90058

JOB NAME: BALCONY RAIL
 NAME OF PERSON PHONING IN QUOTE: JOHN SMITH
 PHONE: 323-456-7899 SHIP VIA: BWAV FREIGHT/ADD
 FAX: 323-588-5268 FREIGHT TERMS: PREPAY & ADD
 FOB: LOS ANGELES, CALIFORNIA ESTIMATED LEAD TIME: 5-7 WREKDAY+SHIP

PRODUCT	DESCRIPTION	UM	QTY	TX	PRICE	AMOUNT
388V	BTM VINYL FOR 3/8" GLASS 14FT	EA	4	Y	8.55	32.20
387V	TOP VINYL FOR 3/8" GLASS 12FT	EA	4	Y	10.95	43.80
WBA384	3/8"x4" WEDGB-BOLT ANCHOR	EA	50	Y	1.50	75.00
RCB1	END CAP SCREW 1/2x3/4"	EA	50	Y	.210	10.50
RCB5	S/S RAIL BLOCK SCREW 10x2"	EA	50	Y	.510	25.50
TEK1	TEK SCREW SQ. HEAD TAPPING #8	EA	200	Y	.200	40.00
FCR38V	BEIGE GRY 1/2" POST KIT	EA	9	Y	36.00	323.10
1FGLS8V	BEIGE GRY TOP GLASS INFILL 20'	EA	2	Y	30.95	61.90
2TR241BGV	BEIGE GRY 200 TOP RAIL 20'11"	EA	3	Y	70.65	211.95
BR241BGV	BEIGE GRY BTM RAIL INFILL 20'	EA	2	Y	15.65	31.30
BRGLS8V	BEIGE GRY BTM GLASS RAIL 20'	EA	2	Y	35.55	71.10
2DCR38V	BEIGE GRY DECORATIVE END CAP	EA	2	Y	3.65	7.30
RCR2	RAIL CONNECTING BLOCK 1"	EA	16	Y	1.65	26.40
90CB	90 DEGREE CORNER BRACKET	EA	8	Y	1.25	10.00

QUOTE TOTAL 976.85

SLSMAN: H34 TAKEN BY: OIR ENTERED BY: D38 PKICBU BY: OIR EDITED BY: D38

Request your **FREE** trial today. Sign up for the CRL Hand Rails Online Webinar to get started. Contact us with any questions, ideas or comments about Hand Rails Online at (800) 421-6144 or (323) 588-1281, ask for Ext: 7730. You can send an e-mail to railings@crlaurence.com. CRL strives to be an ever-improving company and values your opinion.