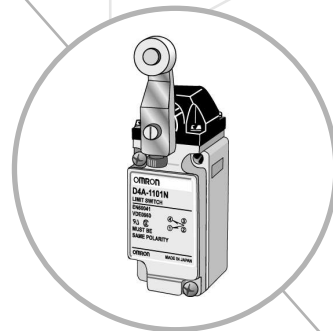
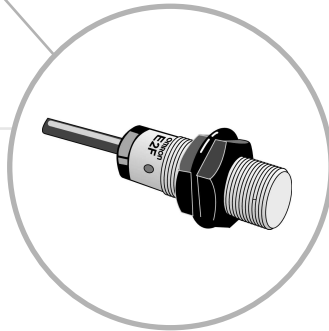
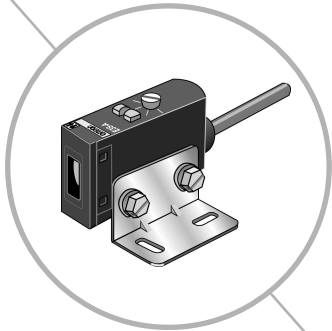


ALLEN-BRADLEY – OMRON IA SENSOR CROSS REFERENCE GUIDE



While the Omron IA sensors given in this cross-reference are considered recommended equivalents, dimensions and/or characteristics/functions may vary slightly from those of comparable competitive sensors. The final determination as to the suitability of an Omron equivalent for the buyer's purpose shall be the responsibility of the buyer alone. All recommendations and technical advice of Omron are in the nature of opinions and do not create warranties, either expressed or implied, with respect to the compatibility of a sensor for the application to which it may be put.

Although due and responsible care has been exercised in compiling this cross-reference, clerical and typographical errors are possible and are subject to correction.

Definition of terms:

Form - Physical shape, construction, dimensions

Function - Performance, operation, sensing distance

Direct - Exact match

Close - Similar, minor differences

Alternate - Different solution

N/A - Non-applicable

Allen Bradley Part Number	Type	Omron Part Number	Form	Function
42BA-S1LNAG-A2	Photo	E3S-AD61	Direct	Direct
		E3T-SL21 /E3T-SL22	Alternate	Alternate
42BA-S1LPAG-A2	Photo	E3S-AD81	Direct	Direct
42BA-S2LNAA-A2	Photo	E3S-BD61	Direct	Direct
		E3T-SL21 /E3T-SL22	Alternate	Alternate
42BA-S2LNAC-A2	Photo	E3S-BD61	Direct	Direct
		E3T-SL21 /E3T-SL22	Alternate	Alternate
42BA-S2LNAE-A2	Photo	E3S-AD63	Direct	Direct
		E3T-SL21 /E3T-SL22	Alternate	Alternate
42BA-S2LPAA-A2	Photo	E3S-AD81	Direct	Direct
42BA-S2LPAC-A2	Photo	E3S-AD81	Direct	Direct
42BA-S2LPAE-A2	Photo	E3S-AD83	Direct	Direct
42BC-B1CRAL-T4	Photo	E3JM-DS70M4-US	Close	Close
42BC-B1CRAN-T4	Photo	E3JM-DS70M4-US	Close	Close
42BC-B1LBAL-T4	Photo	E3JM-DS70_4-US	Close	Close
		E3S-CL2/E3S-LS_ _	Alternate	Alternate
42BC-B1LBAN-T4	Photo	E3JM-DS70_4-US	Close	Close
		E3S-CL2/E3S-LS_ _	Alternate	Alternate
42CA-D1JNB-A2	Photo	E3F2-DS10C4-N	Direct	Direct
		E3F2-DS10C4	Alternate	Alternate
42CA-D1JNB-D4	Photo	E3F2-DS10C4-P1	Direct	Direct
42CA-D1JPB-A2	Photo	E3F2-DS10B4-N	Direct	Direct
		E3F2-DS10B4	Alternate	Alternate
42CA-D1JPB-D4	Photo	E3F2-DS10B4-P1	Direct	Direct
42CA-D1KNB-A2	Photo	E3F2-DS10C4-N	Direct	Direct
		E3F2-DS10C4	Alternate	Alternate
42CA-D1KNB-D4	Photo	E3F2-DS10C4-P1	Direct	Direct
42CA-D1KPB-A2	Photo	E3F2-DS10B4-N	Direct	Direct
		E3F2-DS10B4	Alternate	Alternate
42CA-D1KPB-D4	Photo	E3F2-DS10B4-P1	Direct	Direct
42CA-E1EZB-A2	Photo	N/A		
42CA-E1EZB-D4	Photo	N/A		
42CA-R1JNB-A2	Photo	E3F2-3C4	Direct	Direct
		E3S-CT11	Alternate	Alternate
42CA-R1JNB-D4	Photo	E3F2-3C4-P1	Direct	Direct

Allen Bradley Part Number	Type	Omron Part Number	Form	Function
42CB-D1LNAL-L2	Photo	E3S-CD12	Alternate	Alternate
42CB-D1LNAL-M4	Photo	E3S-CD17	Alternate	Alternate
42CB-D1LPAF-L2	Photo	E3F2-DS30B4	Close	Close
42CB-D1LPAF-M4	Photo	E3F2-DS30B4-P1	Close	Close
42CB-D1LPAL-L2	Photo	E3S-CD12	Alternate	Alternate
42CB-D1LPAL-M4	Photo	E3S-CD17	Alternate	Alternate
42CB-P2LNA-L2	Photo	E3S-CR11	Alternate	Alternate
42CB-P2LNA-M4	Photo	E3S-CR16	Alternate	Alternate
42CB-P2LPA-L2	Photo	E3S-CR11	Alternate	Alternate
42CB-P2LPA-M4	Photo	E3S-CR16	Alternate	Alternate
42CB-U1LNA-L2	Photo	E3F2-R2C4	Alternate	Alternate
42CB-U1LNA-M4	Photo	E3F2-R2C4-P1	Alternate	Alternate
42CB-U1LPA-L2	Photo	E3F2-R2B4	Alternate	Alternate
42CB-U1LPA-M4	Photo	E3F2-R2B4-P1	Alternate	Alternate
42CRC-4001	Photo	E3ML-M_/E3ML-S_	Close	Close
42DBS-5000	Photo	E3S-CL2	Alternate	Alternate
42DBS-5100	Photo	N/A		
42DRA-5000	Photo	E3JU-X	Alternate	Alternate
42DRA-5400	Photo	N/A		
42DRA-5500	Photo	N/A		
42DRC-5400	Photo	E3SA-DS50C43A	Alternate	Alternate
42DRF-5000	Photo	E3JU-XR	Alternate	Alternate
42DRF-5400	Photo	E3XA-CC4A	Alternate	Alternate
42DRP-5000	Photo	E3B2-D or E3N2-D	Alternate	Alternate
42DRP-5400	Photo	E3SA-DS50C43A	Alternate	Alternate
42DRP-5500	Photo	N/A		
42DRU-5000	Photo	E3B2-R	Alternate	Alternate
42DRU-5200	Photo	E3JM-R	Alternate	Alternate
42DRU-5400	Photo	E3SA-RS50C43A	Alternate	Alternate
42DRU-5500	Photo	N/A		
42DRU-5700	Photo	N/A		
42DTB-5500	Photo	N/A		
42FA-F2LNA-A2	Photo	E3X-A11	Alternate	Alternate
42FA-F2LNA-P3	Photo	N/A		
42FA-F2LPA-A2	Photo	E3X-A41	Alternate	Alternate

Allen Bradley Part Number	Type	Omron Part Number	Form	Function
42FA-F2LPA-P3	Photo	N/A		
42FB-F2LNA-A2	Photo	E3X-A11	Direct	Direct
42FB-F2LNAQ-A2	Photo	E3X-F21	Direct	Direct
42FB-F2LPA-A2	Photo	E3X-A41	Direct	Direct
42FB-F2LPAQ-A2	Photo	E3X-F51	Direct	Direct
42FT-F2LNA-A2	Photo	E3X-NT21	Direct	Direct
42FT-F2LPA-A2	Photo	E3X-NT51	Direct	Direct
42FT-F3LNA-A2	Photo	E3X-NVG21	Direct	Direct
42FT-F3LPA-A2	Photo	N/A		
42GRL-9000	Photo	E3JU-25_4	Direct	Direct
		E3N2-50Y44B-US	Alternate	Alternate
42GRL-9000	Photo	E3JU-25_4T	Direct	Direct
		E3N2-50Y44B-US	Alternate	Alternate
42GRL-9000-QD	Photo	E3JU-25_4-NM	Direct	Direct
		E3N2-50Y44B-US	Alternate	Alternate
42GRL-9000-QD	Photo	E3JU-25_4T-MN	Direct	Direct
		E3N2-50Y44B-US	Alternate	Alternate
42GRL-9000H	Photo	N/A		
42GRL-9000H	Photo	N/A		
42GRL-9002-QD	Photo	E3JU-25_4-MN	Direct	Direct
		E3N2-50Y44B-US	Alternate	Alternate
42GRL-9002-QD	Photo	E3JU-25_4T-MN	Direct	Direct
		E3N2-50Y44B-US	Alternate	Alternate
42GRP-9000	Photo	E3JU-D1_4	Direct	Direct
42GRP-9000-QD	Photo	E3JU-D1_4-MN	Direct	Direct
42GRP-9000-QD1	Photo	N/A		
42GRP-9001	Photo	E3JU-D1_4	Direct	Direct
42GRP-9001-QD	Photo	E3JU-D1_4-MN	Direct	Direct
42GRP-9002	Photo	E3JU-D1_4	Direct	Direct
42GRP-9002-QD	Photo	E3JU-D1_4-MN	Direct	Direct
42GRP-9003	Photo	E3JU-D1_4	Direct	Direct
42GRP-9003-QD	Photo	E3JU-D1_4-MN	Direct	Direct
42GRP-9003-QD1	Photo	N/A		
42GRP-9003H	Photo	N/A		

Allen Bradley Part Number	Type	Omron Part Number	Form	Function
42GRP-9040	Photo	E3JU-D2 AVAIL. 9/97	Direct	Direct
		E3B2-D2M4-US-N	Alternate	Alternate
42GRP-9040-QD	Photo	E3JU-D2 AVAIL. 9/97	Direct	Direct
42GRP-9040-QD1	Photo	E3JU-D2 AVAIL. 9/97	Direct	Direct
42GRP-9041	Photo	E3JU-D2 AVAIL. 9/97	Direct	Direct
		E3B2-D2M4-US-N	Alternate	Alternate
42GRP-9041-QD	Photo	E3JU-D2 AVAIL. 9/97	Direct	Direct
42GRP-9042	Photo	E3JU-D2 AVAIL. 9/97	Direct	Direct
		E3B2-D2M4-US-N	Alternate	Alternate
42GRP-9042-QD	Photo	E3JU-D2 AVAIL. 9/97	Direct	Direct
42GRP-9043	Photo	E3JU-D2 AVAIL. 9/97	Direct	Direct
		E3B2-D2M4-US-N	Alternate	Alternate
42GRP-9043-QD	Photo	E3JU-D2 AVAIL. 9/97	Direct	Direct
42GRP-9043H	Photo	N/A		
42GRR-9000	Photo	E3JU-25_4	Direct	Direct
		E3N2-50_44-US	Alternate	Alternate
42GRR-9000-QD	Photo	E3JU-25_4-MN	Direct	Direct
		E3N2-50_44-US	Alternate	Alternate
42GRR-9000-QD1	Photo	N/A		
42GRR-9001	Photo	E3JU-25_4	Direct	Direct
		E3N2-50__-US	Alternate	Alternate
42GRR-9001-QD	Photo	E3JU-25_4-MN	Direct	Direct
		E3N2-50__-US	Alternate	Alternate
42GRR-9002	Photo	E3JU-25_4	Direct	Direct
		E3N2-50__-US	Alternate	Alternate
42GRR-9002-QD	Photo	E3JU-25_4-MN	Direct	Direct
		E3N2-50__-US	Alternate	Alternate
42GRR-9003	Photo	E3JU-25_4	Direct	Direct
		E3N2-50__-US	Alternate	Alternate
42GRR-9003-QD	Photo	E3JU-25_4-MN	Direct	Direct
		E3N2-50__-US	Alternate	Alternate
42GRR-9003H	Photo	N/A		
42GRU-9000	Photo	E3N2-R5_44-US	Alternate	Alternate
42GRU-9000-QD	Photo	E3N2-R5_44-US	Alternate	Alternate
42GRU-9000-QD1	Photo	N/A		

Allen Bradley Part Number	Type	Omron Part Number	Form	Function
42GRU-9001	Photo	N/A		
42GRU-9001-QD	Photo	N/A		
42GRU-9002	Photo	E3N2-R5Y44B-US	Alternate	Alternate
42GRU-9002-QD	Photo	E3N2-R5Y44B-US	Alternate	Alternate
42GRU-9003	Photo	E3N2-R5Y44B-US	Alternate	Alternate
42GRU-9003-QD	Photo	E3N2-R5Y44B-US	Alternate	Alternate
42GRU-9003-QD1	Photo	N/A		
42GRU-9003H	Photo	N/A		
42GRU-9200	Photo	E3JU-R5_4	Direct	Direct
42GRU-9200-QD	Photo	E3JU-R5_4-MN	Direct	Direct
42GRU-9200-QD1	Photo	N/A		
42GRU-9201	Photo	E3JU-R5_4	Direct	Direct
42GRU-9201-QD	Photo	E3JU-R5_4-MN	Direct	Direct
42GRU-9202	Photo	E3JU-R5_4	Direct	Direct
42GRU-9202-QD	Photo	E3JU-R5_4-MN	Direct	Direct
42GRU-9203	Photo	E3JU-R5_4	Direct	Direct
42GRU-9203-QD	Photo	E3JU-R5_4-MN	Direct	Direct
42GRU-9203-QD1	Photo	N/A		
42GRU-9203H	Photo	N/A		
42GR_F-10000-02	Photo	E3JU Family	Alternate	Alternate
42GR_F-10000-Q1	Photo	N/A		
42GR_F-10000-QD	Photo	E3JU Family	Alternate	Alternate
42GR_F-10100-02	Photo	E3JU Family	Alternate	Alternate
42GR_F-10100-Q1	Photo	N/A		
42GR_F-10100-QD	Photo	E3JU Family	Alternate	Alternate
42GR_P-10000-02	Photo	E3JU Family	Alternate	Alternate
42GR_P-10000-Q1	Photo	N/A		
42GR_P-10000-QD	Photo	E3JU Family	Alternate	Alternate
42GR_U-10000-02	Photo	E3JU Family	Alternate	Alternate
42GR_U-10000-Q1	Photo	N/A		
42GR_U-10000-QD	Photo	E3JU Family	Alternate	Alternate
42GR_U-10200-02	Photo	E3JU Family	Alternate	Alternate
42GR_U-10200-Q1	Photo	N/A		
42GR_U-10200-QD	Photo	E3JU Family	Alternate	Alternate
42GTP-9000	Photo	E3JU-D1_4T	Direct	Direct

Allen Bradley Part Number	Type	Omron Part Number	Form	Function
42GTP-9000-QD	Photo	E3JU-D1_4T-MN	Direct	Direct
42GTP-9000-QD1	Photo	N/A		
42GTP-9001	Photo	E3JU-D1_4T	Direct	Direct
42GTP-9001-QD	Photo	E3JU-D1_4T-MN	Direct	Direct
42GTP-9002	Photo	E3JU-D1_4T	Direct	Direct
42GTP-9002-QD	Photo	E3JU-D1_4T-MN	Direct	Direct
42GTP-9003	Photo	E3JU-D1_4T	Direct	Direct
42GTP-9003-QD	Photo	E3JU-D1_4T-MN	Direct	Direct
42GTP-9003-QD1	Photo	N/A		
42GTP-9003H	Photo	N/A		
42GTR-9000	Photo	E3JU-25_4T	Direct	Direct
		E3N2-50_44-US	Alternate	Alternate
42GTR-9000-QD	Photo	E3JU-25_4T-MN	Direct	Direct
		E3N2-50_44-US	Alternate	Alternate
42GTR-9000-QD1	Photo	N/A		
42GTR-9002	Photo	E3JU-25_4T	Direct	Direct
		E3N2-50_44-US	Alternate	Alternate
42GTR-9002-QD	Photo	E3JU-25_4T-MN	Direct	Direct
		E3N2-50_44-US	Alternate	Alternate
42GTU-9000	Photo	E3N2-R5_44-US	Alternate	Alternate
42GTU-9000-QD	Photo	E3N2-R5_44-US	Alternate	Alternate
42GTU-9000-QD1	Photo	N/A		
42GTU-9001	Photo	N/A		
42GTU-9001-QD	Photo	N/A		
42GTU-9002	Photo	E3N2-R5Y44B-US	Alternate	Alternate
42GTU-9002-QD	Photo	E3N2-R5Y44B-US	Alternate	Alternate
42GTU-9003	Photo	E3N2-R5Y44B-US	Alternate	Alternate
42GTU-9003-QD	Photo	E3N2-R5Y44B-US	Alternate	Alternate
42GTU-9003-QD1	Photo	N/A		
42GTU-9003H	Photo	N/A		
42GTU-9200	Photo	E3JU-R5_4T	Direct	Direct
42GTU-9200-QD	Photo	E3JU-R5_4T-MN	Direct	Direct
42GTU-9200-QD1	Photo	N/A		
42GTU-9201	Photo	E3JU-R5_4T	Direct	Direct
42GTU-9201-QD	Photo	E3JU-R5_4T-MN	Direct	Direct

Allen Bradley Part Number	Type	Omron Part Number	Form	Function
42GTU-9202	Photo	E3JU-R5_4T	Direct	Direct
42GTU-9202-QD	Photo	E3JU-R5_4T-MN	Direct	Direct
42GTU-9202-QD1	Photo	N/A		
42GTU-9203	Photo	E3JU-R5_4T	Direct	Direct
42GTU-9203-QD	Photo	E3JU-R5_4T-MN	Direct	Direct
42GTU-9203H	Photo	N/A		
42GT_F-10000-02	Photo	E3JU Family	Alternate	Alternate
42GT_F-10000-Q1	Photo	N/A		
42GT_F-10000-QD	Photo	E3JU Family	Alternate	Alternate
42GT_F-10100-02	Photo	E3JU Family	Alternate	Alternate
42GT_F-10100-Q1	Photo	N/A		
42GT_F-10100-QD	Photo	E3JU Family	Alternate	Alternate
42GT_P-10000-02	Photo	E3JU Family	Alternate	Alternate
42GT_P-10000-Q1	Photo	N/A		
42GT_P-10000-QD	Photo	E3JU Family	Alternate	Alternate
42GT_U-10000-02	Photo	E3JU Family	Alternate	Alternate
42GT_U-10000-Q1	Photo	N/A		
42GT_U-10000-QD	Photo	E3JU Family	Alternate	Alternate
42GT_U-10200-02	Photo	E3JU Family	Alternate	Alternate
42GT_U-10200-Q1	Photo	N/A		
42GT_U-10200-QD	Photo	E3JU Family	Alternate	Alternate
42KA-D2JNFA-A2	Photo	E3T-FD11	Alternate	Alternate
42KA-D2JNFC-A2	Photo	N/A		
42KA-D2JNHA-A2	Photo	E3T-FD11	Close	Close
42KA-D2JNHC-A2	Photo	N/A		
42KA-S2JNSA-A2	Photo	E3T-SL21	Alternate	Alternate
42KA-T2KNFK-A2	Photo	E3T-FT11	Alternate	Alternate
42KA-T2KNHK-A2	Photo	E3T-FT11	Alternate	Alternate
42KA-T2KNTK-A2	Photo	E3T-FT11	Alternate	Alternate
42KB-D1LNED-A2	Photo	E3S-AD13	Direct	Direct
42KB-D1LNEG-A2	Photo	E3S-AD11	Direct	Direct
		E3S-BD11	Alternate	Alternate
42KB-D1LNSD-A2	Photo	E3S-AD63	Direct	Direct
		E3V3-D61	Alternate	Alternate
42KB-D1LNSH-A2	Photo	E3S-AD62	Direct	Direct

Allen Bradley Part Number	Type	Omron Part Number	Form	Function
42KB-D1LPED-A2	Photo	E3S-AD33	Direct	Direct
42KB-D1LPEG-A2	Photo	E3S-AD31	Direct	Direct
		E3S-BD31	Alternate	Alternate
42KB-D1LPSD-A2	Photo	E3S-AD83	Direct	Direct
		E3V3-D81	Alternate	Alternate
42KB-D1LPSH-A2	Photo	E3S-AD82	Direct	Direct
42KB-D2LNEH-A2	Photo	E3S-AD12	Direct	Direct
42KB-D2LNSG-A2	Photo	E3S-AD62	Direct	Direct
		E3V3-D62	Alternate	Alternate
42KB-D2LPEH-A2	Photo	E3S-AD32	Direct	Direct
42KB-D2LPSG-A2	Photo	E3S-AD82	Direct	Direct
		E3V3-D82	Alternate	Alternate
42KB-S1LNSB-A2	Photo	E3S-CL1/E3S-LS_ _	Alternate	Alternate
42KB-S1LPSB-A2	Photo	E3S-CL1/E3S-LS_ _	Alternate	Alternate
42KB-S2LNSA-A2	Photo	E3S-CL1/E3S-LS_ _	Alternate	Alternate
42KB-S2LPSA-A2	Photo	E3S-CL1/E3S-LS_ _	Alternate	Alternate
42KB-T1LNEL-A2	Photo	E3S-BT11	Direct	Direct
42KB-T1LNEQ-A2	Photo	E3A-AT11	Direct	Direct
42KB-T1LNSL-A2	Photo	E3S-BT61	Direct	Direct
42KB-T1LPEL-A2	Photo	E3S-BT31	Direct	Direct
42KB-T1LPEQ-A2	Photo	E3S-AT31	Direct	Direct
42KB-T1LPSL-A2	Photo	E3S-BT81	Direct	Direct
42KB-T1LPSQ-A2	Photo	E3S-AT81	Direct	Direct
		E3V3-T81	Alternate	Alternate
42KB-T2LNSR-A2	Photo	E3S-CT61	Alternate	Alternate
42KB-T2LPSR-A2	Photo	E3S-CT61	Alternate	Alternate
42KB-U2LNSN-A2	Photo	E3S-AR61	Direct	Direct
		E3V3-R61	Alternate	Alternate
42KB-U2LPSN-A2	Photo	E3S-AR81	Direct	Direct
		E3V3-R81	Alternate	Alternate
42KBT1LNSQ-A2	Photo	E3S-AT61	Direct	Direct
		E3V3-T61	Alternate	Alternate
42KC-D2LNEK-A2	Photo	E3S-AD12	Direct	Direct
42KC-D2LNSK-A2	Photo	E3S-AD62	Direct	Direct
		E3V3-D62	Alternate	Alternate

Allen Bradley Part Number	Type	Omron Part Number	Form	Function
42KC-D2LPSK-A2	Photo	E3S-AD82	Direct	Direct
		E3V3-D82	Alternate	Alternate
42KC-P2LNEM-A2	Photo	E3S-AR11	Direct	Direct
42KC-P2LNSM-A2	Photo	E3S-AR61	Direct	Direct
		E3V3-R61	Alternate	Alternate
42KC-P2LPEM-A2	Photo	E3S-AR31	Direct	Direct
42KC-P2LPSM-A2	Photo	E3S-AR81	Direct	Direct
		E3V3-R81	Alternate	Alternate
42KC-T2LNGP-A2	Photo	E3S-AT11	Direct	Direct
42KC-T2LNTP-A2	Photo	E3S-AT61	Direct	Direct
		E3V3-T61	Alternate	Alternate
42KC-T2LPGP-A2	Photo	E3S-AT31	Direct	Direct
42KC-T2LPTP-A2	Photo	E3S-AT81	Direct	Direct
		E3V3-T81	Alternate	Alternate
42KS-D2LPEK-A2	Photo	E3S-AD32	Direct	Direct
42LRC-5000	Photo	E3B2-R/D	Alternate	Alternate
42LRC-5010	Photo	E3B2-R/D	Alternate	Alternate
42LRC-5020	Photo	E3B2-R/D	Alternate	Alternate
42LRC-5200	Photo	E3JU-R or E3N2-R	Alternate	Alternate
42LRC-5210	Photo	E3JU-R or E3N2-R	Alternate	Alternate
42LRC-5220	Photo	E3JU-R or E3N2-R	Alternate	Alternate
42MBS-5000	Photo	N/A		
42MBS-5100	Photo	N/A		
42MRA-5000	Photo	E3JU-X	Alternate	Alternate
42MRF-5000	Photo	E3JU-XR	Alternate	Alternate
42MRL-5000	Photo	E3A2-10M4	Alternate	Alternate
42MRP-5000	Photo	E3N2-D or E3JU-D	Alternate	Alternate
42MRP-5000P	Photo	E3JU-D2 or E3B2-D2	Alternate	Alternate
42MRR-5000	Photo	E3A2-10M4	Alternate	Alternate
42MRU-5000	Photo	E3B2-R	Alternate	Alternate
42MRU-5200	Photo	E3N2-R or E3JU-R	Alternate	Alternate
42RLP-4000B	Photo	E3K-D2K4	Close	Close
42RLP-4001B	Photo	E3K-D2K4	Close	Close
42RLP-4002B	Photo	E3K-D2K4	Close	Close
42RLP-4003B	Photo	E3K-D2K4	Close	Close

Allen Bradley Part Number	Type	Omron Part Number	Form	Function
42RLR-4000B	Photo	N/A		
42RLR-4001B	Photo	N/A		
42RLU-4000B	Photo	E3K-R10K4	Direct	Direct
42RLU-4001B	Photo	E3K-R10K4	Direct	Direct
42RLU-4002B	Photo	E3K-R10K4	Direct	Direct
42RLU-4003B	Photo	E3K-R10K4	Direct	Direct
42RLU-4200B	Photo	N/A		
42SMF-7100	Photo	E3X-A11	Alternate	Alternate
42SMF-7100-QD	Photo	N/A		
42SMF-7101	Photo	E3X-A41	Alternate	Alternate
42SMF-7101-QD	Photo	N/A		
42SML-7000	Photo	N/A		
42SML-7100	Photo	N/A		
42SML-7100-QD	Photo	N/A		
42SML-7110	Photo	N/A		
42SML-7110-QD	Photo	N/A		
42SMP-7000	Photo	E3S-AD62	Close	Close
		E3V3-D62	Alternate	Alternate
42SMP-7000-QD	Photo	E3S-AD67	Close	Close
42SMP-7001	Photo	E3S-AD82	Close	Close
		E3V2-D82	Alternate	Alternate
42SMP-7001-QD	Photo	E3S-AD87	Close	Close
42SMP-7010	Photo	E3S-AD62	Close	Close
		E3V3-D62	Alternate	Alternate
42SMP-7010-QD	Photo	E3S-AD67	Close	Close
42SMP-7011	Photo	E3S-AD82	Close	Close
		E3V3-D82	Alternate	Alternate
42SMP-7011-QD	Photo	E3S-AD87	Close	Close
42SMP-7020	Photo	E3T-SL21/E3T-SL22	Alternate	Alternate
42SMP-7020-QD	Photo	N/A		
42SMP-7021	Photo	N/A		
42SMP-7021-QD	Photo	N/A		
42SMP-7320	Photo	N/A		
42SMP-7320-QD	Photo	N/A		
42SMP-7321	Photo	N/A		

Allen Bradley Part Number	Type	Omron Part Number	Form	Function
42SMP-7321-QD	Photo	N/A		
42SMP-7600	Photo	E3S-AD62	Close	Close
		E3V3-D62	Alternate	Alternate
42SMP-7600-QD	Photo	E3S-AD67	Close	Close
42SMP-7601	Photo	E3S-AD82	Close	Close
		E3V3-D82	Alternate	Alternate
42SMP-7601-QD	Photo	E3S-AD87	Close	Close
42SMR-7000	Photo	E3HT-1E1	Direct	Direct
42SMR-7001	Photo	E3HT-1E2	Direct	Direct
42SMR-7002	Photo	N/A		
42SMR-7003	Photo	N/A		
42SMR-7100	Photo	E3S-CT61	Alternate	Alternate
42SMR-7100-QD	Photo	E3S-CT66	Alternate	Alternate
42SMR-7101	Photo	E3S-CT61	Alternate	Alternate
42SMR-7101-QD	Photo	E3S-CT66	Alternate	Alternate
42SMR-7110	Photo	E3S-CT61	Alternate	Alternate
42SMR-7110-QD	Photo	E3S-CT66	Alternate	Alternate
42SMR-7111	Photo	E3S-CT61	Alternate	Alternate
42SMR-7111-QD	Photo	E3S-CT66	Alternate	Alternate
42SMU-7000	Photo	E3JK-R4M_-US	Alternate	Alternate
42SMU-7000-QD	Photo	N/A		
42SMU-7001	Photo	N/A		
42SMU-7001-QD	Photo	N/A		
42SMU-7200	Photo	E3S-AR61	Close	Close
42SMU-7200-QD	Photo	E3S-AR66	Close	Close
42SMU-7201	Photo	E3S-AR81	Close	Close
42SMU-7201-QD	Photo	E3S-AR86	Close	Close
42SMU-7250	Photo	E3S-R61	Alternate	Alternate
42SMU-7250-QD	Photo	E3S-R66	Alternate	Alternate
42SMU-7251	Photo	E3S-R81	Alternate	Alternate
42SMU-7251-QD	Photo	E3S-R86	Alternate	Alternate
42SMU-7260	Photo	E3S-R61	Alternate	Alternate
42SMU-7260-QD	Photo	E3S-R66	Alternate	Alternate
42SMU-7261	Photo	E3S-R81	Alternate	Alternate
42SMU-7261-QD	Photo	E3S-R86	Alternate	Alternate

Allen Bradley Part Number	Type	Omron Part Number	Form	Function
42SMU-7600	Photo	E3JK-R4M_-US	Alternate	Alternate
42SMU-7600-QD	Photo	N/A		
42SMU-7601	Photo	E3JK-R4M_-US	Alternate	Alternate
42SMU-7601-QD	Photo	N/A		
42SMU-7800	Photo	N/A		
42SMU-7800-QD	Photo	N/A		
42SMU-7801	Photo	N/A		
42SMU-7801-QD	Photo	N/A		
42SRF-6002	Photo	N/A		
42SRF-6002-QD	Photo	N/A		
42SRF-6003	Photo	N/A		
42SRF-6003-QD	Photo	N/A		
42SRF-6004	Photo	N/A		
42SRF-6004-QD	Photo	N/A		
42SRF-6005	Photo	N/A		
42SRF-6005-QD	Photo	N/A		
42SRF-6006	Photo	N/A		
42SRF-6006-QD	Photo	N/A		
42SRF-6007	Photo	N/A		
42SRF-6007-QD	Photo	N/A		
42SRF-6102	Photo	E3X-A11/E3X-A21	Alternate	Alternate
42SRF-6102-QD	Photo	N/A		
42SRF-6103	Photo	E3X-A41/E3X-A51	Alternate	Alternate
42SRF-6103-QD	Photo	N/A		
42SRF-6104	Photo	N/A		
42SRF-6104-QD	Photo	N/A		
42SRF-6105	Photo	N/A		
42SRF-6105-QD	Photo	N/A		
42SRF-6106	Photo	N/A		
42SRF-6106-QD	Photo	N/A		
42SRF-6107	Photo	N/A		
42SRF-6107-QD	Photo	N/A		
42SRF-6302	Photo	E3X-F21	Alternate	Alternate
42SRF-6302-QD	Photo	N/A		
42SRF-6303	Photo	E3X-F51	Alternate	Alternate

Allen Bradley Part Number	Type	Omron Part Number	Form	Function
42SRF-6303-QD	Photo	N/A		
42SRF-6502	Photo	N/A		
42SRF-6502-QD	Photo	N/A		
42SRF-6503	Photo	N/A		
42SRF-6503-QD	Photo	N/A		
42SRL-6000	Photo	N/A		
42SRL-6000-QD	Photo	N/A		
42SRL-6006	Photo	N/A		
42SRL-6006-QD	Photo	N/A		
42SRP-6002	Photo	N/A		
42SRP-6002-QD	Photo	N/A		
42SRP-6003	Photo	N/A		
42SRP-6003-QD	Photo	N/A		
42SRP-6004	Photo	N/A		
42SRP-6004-QD	Photo	N/A		
42SRP-6005	Photo	N/A		
42SRP-6005-QD	Photo	N/A		
42SRP-6006	Photo	N/A		
42SRP-6006-QD	Photo	N/A		
42SRP-6007	Photo	N/A		
42SRP-6007-QD	Photo	N/A		
42SRP-6012	Photo	E3F2-DS30_4	Close	Close
		E3S-AD_2	Alternate	Alternate
42SRP-6012-QD	Photo	E3F2-DS30_4-P1	Close	Close
		E3S-AD_7	Alternate	Alternate
42SRP-6013	Photo	E3F2-DS30_4	Close	Close
		E3S-AD_2	Alternate	Alternate
42SRP-6013-QD	Photo	E3F2-DS30_4-P1	Close	Close
		E3S-AD_7	Alternate	Alternate
42SRP-6014	Photo	N/A		
42SRP-6014-QD	Photo	N/A		
42SRP-6015	Photo	N/A		
42SRP-6015-QD	Photo	N/A		
42SRP-6016	Photo	N/A		
42SRP-6016-QD	Photo	N/A		

Allen Bradley Part Number	Type	Omron Part Number	Form	Function
42SRP-6017	Photo	N/A		
42SRP-6017-QD	Photo	N/A		
42SRP-6022	Photo	N/A		
42SRP-6022-QD	Photo	N/A		
42SRP-6023	Photo	N/A		
42SRP-6023-QD	Photo	N/A		
42SRP-6024	Photo	N/A		
42SRP-6024-QD	Photo	N/A		
42SRP-6025	Photo	N/A		
42SRP-6025-QD	Photo	N/A		
42SRP-6026	Photo	N/A		
42SRP-6026-QD	Photo	N/A		
42SRP-6027	Photo	N/A		
42SRP-6027-QD	Photo	N/A		
42SRP-6032	Photo	N/A		
42SRP-6032-QD	Photo	N/A		
42SRP-6033	Photo	N/A		
42SRP-6033-QD	Photo	N/A		
42SRP-6034	Photo	N/A		
42SRP-6034-QD	Photo	N/A		
42SRP-6035	Photo	N/A		
42SRP-6035-QD	Photo	N/A		
42SRP-6036	Photo	N/A		
42SRP-6036-QD	Photo	N/A		
42SRP-6037	Photo	N/A		
42SRP-6037-QD	Photo	N/A		
42SRP-6302	Photo	N/A		
42SRP-6302-QD	Photo	N/A		
42SRR-6002	Photo	E3S-CT11	Alternate	Alternate
42SRR-6002-QD	Photo	E3S-CT16	Alternate	Alternate
42SRR-6003	Photo	E3S-CT11	Alternate	Alternate
42SRR-6003-QD	Photo	E3S-CT16	Alternate	Alternate
42SRR-6006	Photo	N/A		
42SRR-6006-QD	Photo	N/A		
42SRR-6007	Photo	N/A		

Allen Bradley Part Number	Type	Omron Part Number	Form	Function
42SRR-6007-QD	Photo	N/A		
42SRU-6202	Photo	E3S-CR11	Alternate	Alternate
42SRU-6202-QD	Photo	E3S-CR16	Alternate	Alternate
42SRU-6203	Photo	E3S-CR11	Alternate	Alternate
42SRU-6203-QD	Photo	E3S-CR16	Alternate	Alternate
42SRU-6204	Photo	E3E2-DS20Y1-US	Close	Close
42SRU-6204-QD	Photo	N/A		
42SRU-6205	Photo	N/A		
42SRU-6205-QD	Photo	N/A		
42SRU-6206	Photo	N/A		
42SRU-6206-QD	Photo	N/A		
42SRU-6207	Photo	N/A		
42SRU-6207-QD	Photo	N/A		
42SRU-6402	Photo	N/A		
42SRU-6402-QD	Photo	N/A		
42SRU-6412	Photo	N/A		
42SRU-6412-QD	Photo	N/A		
43CRC-4000	Photo	E3ML-M_/E3ML-S_	Close	Close
57-127	Photo	E39-F4	Direct	Direct
60-2302-1	Photo	N/A		
60-2302-2	Photo	N/A		
60-2302-4	Photo	N/A		
60-2302-5	Photo	N/A		
60-2302-6	Photo	N/A		
60-2303-1	Photo	N/A		
60-2303-2	Photo	N/A		
60-2303-3	Photo	N/A		
60-2303-3	Photo	N/A		
60-2303-4	Photo	N/A		
60-2303-5	Photo	N/A		
60-2303-6	Photo	N/A		
63-118	Photo	E39-F1		
801-AMC211	Limit	D4A-1105N	Alternate	Direct
801-ASA11	Limit	D4A-1101N	Alternate	Close
801-ASA12	Limit	D4A-1101N	Alternate	Close

Allen Bradley Part Number	Type	Omron Part Number	Form	Function
801-ASB11	Limit	D4A-1101N	Alternate	Close
801-ASC1411	Limit	N/A		
801-ASC1415	Limit	N/A		
801-ASC17	Limit	D4A-1101N	Alternate	Direct
801-ASC1711	Limit	N/A		
801-ASC1715	Limit	N/A		
801-ASC21	Limit	D4A-1101N	Alternate	Direct
801-ASC218	Limit	D4A-1105N	Alternate	Close
801-ASC21X	Limit	D4A-1102N	Alternate	Direct
801-ASC220	Limit	D4A-1105N	Alternate	Close
801-ASC2426	Limit	N/A		
801-ASC25	Limit	D4A-1101N	Alternate	Direct
801-ASC25X	Limit	D4A-1102N	Alternate	Direct
801-ASC27	Limit	D4A-1101N	Alternate	Direct
801-ASC2726	Limit	N/A		
801-ASC29	Limit	D4A-1101N	Alternate	Direct
801-ASC313	Limit	D4A-1103N	Alternate	Direct
801-ASD17	Limit	D4A-2701N	Alternate	Direct
801-ASF17	Limit	D4A-2901N	Alternate	Direct
801-ASG17	Limit	D4A-2901N	Alternate	Direct
801-ASH1411	Limit	N/A		
801-ASH1711	Limit	N/A		
801-ASH22	Limit	D4A-2501N	Alternate	Direct
801-ASH26X	Limit	D4A-2502N	Alternate	Direct
801-ASK1421	Limit	N/A		
801-ASK1721	Limit	N/A		
801-ASN21	Limit	D4A-2501N	Alternate	Direct
801-ASN21X	Limit	D4A-2502N	Alternate	Direct
801-ASN25	Limit	D4A-2501N	Alternate	Direct
801-ASN25X	Limit	D4A-2502N	Alternate	Direct
801-ASO21	Limit	D4A-2501N	Alternate	Direct
801-ASO21X	Limit	D4A-2502N	Alternate	Direct
801-CMC144	Limit	N/A		
801-CMC21	Limit	D4A-1105N	Alternate	Direct
801-CMC2411	Limit	N/A		

Allen Bradley Part Number	Type	Omron Part Number	Form	Function
801-CMC2711	Limit	N/A		
801-DMC21	Limit	D4A-1105N	Alternate	Direct
801-DSK145	Limit	N/A		
801-EMC21	Limit	D4A-1105N	Alternate	Direct
801-FSC148	Limit	N/A		
802A-A12P2-S9	Limit	D4D-3520N	Direct	Direct
802A-A12P3-S9	Limit	D4D-3120N	Direct	Direct
802A-A14P2-S9	Limit	D4D-3562N	Direct	Direct
802A-A14P3-S9	Limit	D4D-3162N	Direct	Direct
802A-A26P2-S9	Limit	D4D-3531N	Direct	Direct
802A-A26P3-S9	Limit	D4D-3131N	Direct	Direct
802A-A27P2-S9	Limit	D4D-3532N	Direct	Direct
802A-A27P3-S9	Limit	D4D-3132N	Direct	Direct
802A-A29P3-S9	Limit	D4D-3187N	Direct	Direct
802A-B12P2-S10	Limit	D4D-3520N	Direct	Direct
802A-B12P4-S10	Limit	D4D-3120N	Direct	Direct
802A-B14P2-S10	Limit	D4D-3562N	Direct	Direct
802A-B14P4-S10	Limit	D4D-3162N	Direct	Direct
802A-B18P2-S10	Limit	D4D-3572N	Direct	Direct
802A-B18P4-S10	Limit	D4D-3172N	Direct	Direct
802A-B22P2-S10	Limit	D4D-3562N	Direct	Direct
802A-B22P4-S10	Limit	D4D-3162N	Direct	Direct
802A-B26P2-S10	Limit	D4D-3531N	Direct	Direct
802A-B26P4-S10	Limit	D4D-3131N	Direct	Direct
802A-B27P2-S10	Limit	D4D-3532N	Direct	Direct
802A-B27P4-S10	Limit	D4D-3132N	Direct	Direct
802A-C12P2-S7	Limit	D4D-1520N	Close	Direct
802A-C12P4-S7	Limit	D4D-1120N	Close	Direct
802A-C14P4-S7	Limit	D4D-1162N	Close	Direct
802A-C26P2-S7	Limit	D4D-1531N	Close	Direct
802A-C26P4-S7	Limit	D4D-1131N	Close	Direct
802A-C27P2-S7	Limit	D4D-1532N	Close	Direct
802A-C27P4-S7	Limit	D4D-1132N	Close	Direct
802A-C29P3-S7	Limit	D4D-1187N	Close	Direct
802A-C33P2-S7	Limit	D4D-1521N	Close	Direct

Allen Bradley Part Number	Type	Omron Part Number	Form	Function
802A-C33P4-S7	Limit	D4D-1121N	Close	Direct
802A-C37P2-S7	Limit	D4D-1187N	Close	Close
802A-C37P4-S7	Limit	D4D-1187N	Close	Close
802A-D12P4-S10	Limit	D4D-5120N	Direct	Direct
802A-D26P2-S10	Limit	D4D-5531N	Direct	Direct
802A-D26P4-S10	Limit	D4D-5131N	Direct	Direct
802A-D27P2-S10	Limit	D4D-5532N	Direct	Direct
802A-D27P4-S10	Limit	D4D-5132N	Direct	Direct
802A-E12M4-S7	Limit	D4B-3111N	Direct	Direct
802A-E26M4-S7	Limit	D4B-3170N	Direct	Direct
802A-E27M4-S7	Limit	D4B-3171N	Direct	Direct
802A-E33M3-S7	Limit	D4B-3116N	Direct	Direct
802A-E37M3-S7	Limit	D4B-3117N	Direct	Direct
802G-GP	Limit	N/A		
802G-GP1	Limit	N/A		
802M-A1TY5	Limit	D4A-2501N	Close	Direct
802M-A1X	Limit	D4A-0001N	Close	Direct
802M-A1X	Limit	D4A-0001N	Close	Direct
802M-A1Y5	Limit	D4A-1101N	Close	Direct
802M-A2TY5	Limit	D4A-2501N	Close	Direct
802M-A2X	Limit	D4A-0001N	Close	Direct
802M-A2X	Limit	D4A-0001N	Close	Direct
802M-A2Y5	Limit	D4A-1101N	Close	Direct
802M-AMTY5	Limit	D4A-2505N	Close	Direct
802M-AMX	Limit	D4A-0005N	Close	Direct
802M-AMX	Limit	D4A-0005N	Close	Direct
802M-AMY5	Limit	D4A-1105N	Close	Direct
802M-ASX	Limit	D4A-0017N	Close	Direct
802M-ASY5	Limit	D4A-2717N	Close	Direct
802M-ATY5	Limit	D4A-2501N	Close	Direct
802M-AX	Limit	D4A-0001N	Close	Direct
802M-AX	Limit	D4A-0001N	Close	Direct
802M-AY5	Limit	D4A-1101N	Close	Direct
802M-BATY5	Limit	D4A-2511N	Close	Direct
802M-BAX	Limit	D4A-0011N	Close	Direct

Allen Bradley Part Number	Type	Omron Part Number	Form	Function
802M-BAX	Limit	D4A-0011N	Close	Direct
802M-BAY5	Limit	D4A-1111N	Close	Direct
802M-BTX	Limit	D4A-0009N	Close	Direct
802M-BTY5	Limit	D4A-2509N	Close	Direct
802M-BX	Limit	D4A-0009N	Close	Direct
802M-BY5	Limit	D4A-1109N	Close	Direct
802M-CAFTY5	Limit	D4A-2508N	Close	Direct
802M-CAFX	Limit	D4A-0008N	Close	Direct
802M-CAFX	Limit	D4A-0008N	Close	Direct
802M-CAFY5	Limit	D4A-1108N	Close	Direct
802M-CTX	Limit	D4A-0006N	Close	Direct
802M-CTY5	Limit	D4A-2506N	Close	Direct
802M-CX	Limit	D4A-0006N	Close	Direct
802M-CY5	Limit	D4A-1106N	Close	Direct
802M-DTX	Limit	D4A-0010N	Close	Direct
802M-DTY5	Limit	D4A-2510N	Close	Direct
802M-DX	Limit	D4A-0010N	Close	Direct
802M-DY5	Limit	D4A-1110N	Close	Direct
802M-H1TY5	Limit	D4A-2502N	Close	Direct
802M-H1X	Limit	D4A-0002N	Close	Direct
802M-H1X	Limit	D4A-0002N	Close	Direct
802M-H1Y5	Limit	D4A-1102N	Close	Direct
802M-H2TY5	Limit	D4A-2502N	Close	Direct
802M-H2X	Limit	D4A-0002N	Close	Direct
802M-H2X	Limit	D4A-0002N	Close	Direct
802M-H2Y5	Limit	D4A-1102N	Close	Direct
802M-HTY5	Limit	D4A-2502N	Close	Direct
802M-HX	Limit	D4A-0002N	Close	Direct
802M-HX	Limit	D4A-0002N	Close	Direct
802M-HY5	Limit	D4A-1102N	Close	Direct
802M-K1TX	Limit	D4A-0007-H-N	Close	Direct
802M-K1TY5	Limit	D4A-2507-H-N	Close	Direct
802M-K1X	Limit	D4A-0007-H-N	Close	Direct
802M-K1Y5	Limit	D4A-1107-H-N	Close	Direct
802M-KTX	Limit	D4A-0007-V-N	Close	Direct

Allen Bradley Part Number	Type	Omron Part Number	Form	Function
802M-KTY5	Limit	D4A-2507-V-N	Close	Direct
802M-KX	Limit	D4A-0007-V-N	Close	Direct
802M-KY5	Limit	D4A-1107-V-N	Close	Direct
802M-NPX	Limit	D4A-0018N	Close	Direct
802M-NPY5	Limit	D4A-2918N	Close	Direct
802M-XNPY5	Limit	D4A-2900N	Close	Direct
802M-XSY5	Limit	D4A-2700N	Close	Direct
802M-XTY5	Limit	D4A-2500N	Close	Direct
802M-XTY5	Limit	D4A-2500N	Close	Direct
802M-XTY5	Limit	D4A-2500N	Close	Direct
802M-XY5	Limit	D4A-1100N	Close	Direct
802M-XY5	Limit	D4A-1100N	Close	Direct
802M-XY5	Limit	D4A-1100N	Close	Direct
802MC-A1X	Limit	D4A-0001N	Close	Direct
802MC-A1Y5	Limit	D4A-1101N	Close	Direct
802MC-A2X	Limit	D4A-0001N	Close	Direct
802MC-A2Y5	Limit	D4A-1101N	Close	Direct
802MC-AX	Limit	D4A-0001N	Close	Direct
802MC-AY5	Limit	D4A-1101N	Close	Direct
802MC-W1A	Limit	D4A-A00	Close	Alternate
802MC-W2B	Limit	D4A-C00	Close	Alternate
802MC-W3	Limit	D4A-D00	Close	Alternate
802MC-W3A	Limit	WL-4A201	Close	Alternate
802MC-W3C	Limit	WL-3A100	Alternate	Alternate
802MC-X5	Limit	D4A-1100N	Close	Direct
802PR-LAAA1	Prox	E2Q-N15Y4	Direct	Alternate
802PR-LAAA3	Prox	E2Q-N15Y4-[]	Close	Close
802PR-LAAB1	Prox	E2Q-N15Y4	Direct	Alternate
802PR-LAAE1	Prox	E2Q-N15Y4-50	Close	Alternate
802PR-LAAH1	Prox	E2Q-N15Y4	Direct	Alternate
802PR-LAAJ1	Prox	E2Q-N15Y4	Direct	Alternate
802PR-LAAJ3	Prox	E2Q-N15Y4-[]	Close	Close
802PR-LAAK1	Prox	E2Q-N15Y4-50	Close	Alternate
802PR-LAAM1-08	Prox	E2Q-N15Y4-[]	Close	Alternate
802PR-LAAM1-12	Prox	E2Q-N15Y4-[]	Close	Alternate

Allen Bradley Part Number	Type	Omron Part Number	Form	Function
802PR-LAAR1-08	Prox	E2Q-N15Y4-[]	Close	Alternate
802PR-LAAR1-12	Prox	E2Q-N15Y4-[]	Close	Alternate
802PR-LABA2	Prox	E2Q-N15Y4	Direct	Alternate
802PR-LABB2	Prox	E2Q-N15Y4	Direct	Alternate
802PR-LABE2	Prox	E2Q-N15Y4-50	Close	Alternate
802PR-LABH2	Prox	E2Q-N15Y4	Direct	Alternate
802PR-LABJ2	Prox	E2Q-N15Y4	Direct	Alternate
802PR-LABK2	Prox	E2Q-N15Y4-50	Close	Alternate
802PR-LABM2-08	Prox	E2Q-N15Y4-[]	Close	Alternate
802PR-LABM2-12	Prox	E2Q-N15Y4-[]	Close	Alternate
802PR-LABR2-08	Prox	E2Q-N15Y4-[]	Close	Alternate
802PR-LABR2-12	Prox	E2Q-N15Y4-[]	Close	Alternate
802PR-LACA2	Prox	E2Q-N15Y4	Direct	Alternate
802PR-LACB2	Prox	E2Q-N15Y4	Direct	Alternate
802PR-LACE2	Prox	E2Q-N15Y4-50	Close	Alternate
802PR-LACH2	Prox	E2Q-N15Y4	Direct	Alternate
802PR-LACJ2	Prox	E2Q-N15Y4	Direct	Alternate
802PR-LACK2	Prox	E2Q-N15Y4-50	Close	Alternate
802PR-LACM2-08	Prox	E2Q-N15Y4-[]	Close	Alternate
802PR-LACM2-12	Prox	E2Q-N15Y4-[]	Close	Alternate
802PR-LACR2-08	Prox	E2Q-N15Y4-[]	Close	Alternate
802PR-LACR2-12	Prox	E2Q-N15Y4-[]	Close	Alternate
802PR-LBAA1	Prox	E2Q-N15Y4	Close	Close
		E2Q-N15[]3	Close	Close
802PR-LBAA3	Prox	E2Q-N15[][]-[]	Close	Close
802PR-LBAB1	Prox	E2Q-N15Y4	Direct	Close
		E2Q-N15[]3	Direct	Close
802PR-LBAB1-S6	Prox	E2Q-N15Y4	Close	Close
		E2Q-N15[]3	Close	Close
802PR-LBAC1	Prox	E2Q-N15Y4-[]	Close	Close
		E2Q-N15[]3-[]	Close	Close
802PR-LBAE1	Prox	E2Q-N15Y4-50	Direct	Close
		E2Q-N15[]3-50	Direct	Close
802PR-LBAF1	Prox	E2Q-N15Y4-[]	Close	Close
		E2Q-N15[]3-[]	Close	Close

Allen Bradley Part Number	Type	Omron Part Number	Form	Function
802PR-LBAH1	Prox	E2Q-N15Y4	Direct	Close
		E2Q-N15[]3	Direct	Close
802PR-LBAH1-S6	Prox	E2Q-N15Y4	Close	Close
		E2Q-N15[]3	Close	Close
802PR-LBAJ1	Prox	E2Q-N15Y4	Close	Close
		E2Q-N15[]3	Close	Close
802PR-LBAJ3	Prox	E2Q-N15[][]-[]	Close	Close
802PR-LBAK1	Prox	E2Q-N15Y4-50	Direct	Close
		E2Q-N15[]3-50	Direct	Close
802PR-LBAM1-08	Prox	E2Q-N15Y4-[]	Close	Close
		E2Q-N15[]3-[]	Close	Close
802PR-LBAM1-12	Prox	E2Q-N15Y4-[]	Close	Close
		E2Q-N15[]3-[]	Close	Close
802PR-LBAR1-08	Prox	E2Q-N15Y4-[]	Close	Close
		E2Q-N15[]3-[]	Close	Close
802PR-LBAR1-12	Prox	E2Q-N15Y4-[]	Close	Close
		E2Q-N15[]3-[]	Close	Close
802PR-XAAB1	Prox	E2Q-N15Y4	Direct	Alternate
802PR-XAAH1	Prox	E2Q-N15Y4	Direct	Alternate
802PR-XAAM1-08	Prox	E2Q-N15Y4-[]	Close	Alternate
802PR-XAAM1-12	Prox	E2Q-N15Y4-[]	Close	Alternate
802PR-XAAR1-08	Prox	E2Q-N15Y4-[]	Close	Alternate
802PR-XAAR1-12	Prox	E2Q-N15Y4-[]	Close	Alternate
802PR-XBAB1	Prox	E2Q-N15Y4	Direct	Close
		E2Q-N15[]3	Direct	Close
802PR-XBAB1-S6	Prox	E2Q-N15Y4	Close	Close
		E2Q-N15[]3	Close	Close
802PR-XBAH1	Prox	E2Q-N15Y4	Direct	Close
		E2Q-N15[]3	Direct	Close
802PR-XBAH1-S6	Prox	E2Q-N15Y4	Close	Close
		E2Q-N15[]3	Close	Close
802PR-XBAM1-08	Prox	E2Q-N15Y4-[]	Close	Close
		E2Q-N15[]3-[]	Close	Close
802PR-XBAM1-12	Prox	E2Q-N15Y4-[]	Close	Close
		E2Q-N15[]3-[]	Close	Close

Allen Bradley Part Number	Type	Omron Part Number	Form	Function
802PR-XBAR1-08	Prox	E2Q-N15Y4-[] E2Q-N15[]3-[]	Close Close	Close Close
802PR-XBAR1-12	Prox	E2Q-N15Y4-[] E2Q-N15[]3-[]	Close Close	Close Close
802R-AC	Limit	WLCA2-TS	Direct	Direct
802R-AF	Limit	WLCA2-TS	Direct	Direct
802R-AL1CW5	Limit	WLCL-2N-TS	Direct	Direct
802R-AL1FW5	Limit	WLCL-2N-TS	Direct	Direct
802R-AL2CW5	Limit	WLCL-2N-TS	Direct	Direct
802R-AL2FW5	Limit	WLCL-2N-TS	Direct	Direct
802R-ALCW5	Limit	WLCL-TS	Direct	Direct
802R-ALFW5	Limit	WLCL-TS	Direct	Direct
802R-AMC	Limit	WLCA2-2	Direct	Direct
802R-AMF	Limit	WLCA2-2	Direct	Direct
802R-BAC	Limit	WLD-TS	Direct	Direct
802R-BAF	Limit	WLD-TS	Direct	Direct
802R-BC	Limit	WLD-TS	Direct	Direct
802R-BF	Limit	WLD-TS	Direct	Direct
802R-CC	Limit	WLS2-TS	Direct	Direct
802R-CF	Limit	WLS2-TS	Direct	Direct
802R-CWC	Limit	WLNJ-S2-TS	Direct	Direct
802R-CWF	Limit	WLNJ-S2-TS	Direct	Direct
802R-DC	Limit	WLD2-TS	Direct	Direct
802R-DF	Limit	WLD2-TS	Direct	Direct
802R-H1C	Limit	WLGCA2-TS	Direct	Direct
802R-H1F	Limit	WLGCA2-TS	Direct	Direct
802R-H2C	Limit	WLGCA2-TS	Direct	Direct
802R-H2F	Limit	WLGCA2-TS	Direct	Direct
802R-HC	Limit	WLGCA2-TS	Direct	Direct
802R-HF	Limit	WLGCA2-TS	Direct	Direct
802R-K1C	Limit	WLS2-TS	Close	Direct
802R-K1F	Limit	WLS2-TS	Close	Direct
802R-KC	Limit	WLS2-TS	Direct	Direct
802R-KF	Limit	WLS2-TS	Direct	Direct
802R-L1C	Limit	WLCA2-2N	Direct	Direct

Allen Bradley Part Number	Type	Omron Part Number	Form	Function
802R-L1F	Limit	WLCA2-2N	Direct	Direct
802R-L2C	Limit	WLCA2-2N	Direct	Direct
802R-L2F	Limit	WLCA2-2N	Direct	Direct
802R-WS1C	Limit	WLNJ-TS	Close	Direct
802R-WS1F	Limit	WLNJ-TS	Close	Direct
802T-2P	Limit	N/A		
802T-2P	Limit	N/A		
802T-A	Limit	D4A-1101N	Close	Direct
802T-A1	Limit	D4A-1101N	Close	Direct
802T-A1A2D	Limit	N/A		
802T-A1AD	Limit	N/A		
802T-A1CD	Limit	N/A		
802T-A1D	Limit	N/A		
802T-A1DD	Limit	N/A		
802T-A1HD	Limit	N/A		
802T-A1P	Limit	D4A-1103N	Direct	Direct
802T-A1P1	Limit	D4A-0100N	Close	Close
802T-A1T	Limit	D4A-2501N	Alternate	Direct
802T-A1TH	Limit	D4A-2503N	Alternate	Direct
802T-A1TP	Limit	D4A-2503N	Direct	Direct
802T-A1TP1	Limit	D4A-0500N	Close	Close
802T-A2	Limit	D4A-1101N	Close	Direct
802T-A2A1D	Limit	N/A		
802T-A2AD	Limit	N/A		
802T-A2CD	Limit	N/A		
802T-A2D	Limit	N/A		
802T-A2DD	Limit	N/A		
802T-A2HD	Limit	N/A		
802T-A2P	Limit	D4A-1103N	Direct	Direct
802T-A2P1	Limit	D4A-0100N	Close	Close
802T-A2T	Limit	D4A-2501N	Alternate	Direct
802T-A2TH	Limit	D4A-2503N	Alternate	Direct
802T-A2TP	Limit	D4A-2503N	Direct	Direct
802T-A2TP1	Limit	D4A-0500N	Close	Close
802T-A3P	Limit	D4A-1103N	Direct	Direct

Allen Bradley Part Number	Type	Omron Part Number	Form	Function
802T-A3P1	Limit	D4A-0100N	Close	Close
802T-A4P	Limit	D4A-1103N	Direct	Direct
802T-A4P1	Limit	D4A-0100N	Close	Close
802T-A5P	Limit	D4A-1103N	Direct	Direct
802T-A5P1	Limit	D4A-0100N	Close	Close
802T-AA1D	Limit	N/A		
802T-AA2D	Limit	N/A		
802T-ACD	Limit	N/A		
802T-AD	Limit	N/A		
802T-ADD	Limit	N/A		
802T-AL1P	Limit	D4A-1103N	Direct	Direct
802T-AL1P1	Limit	D4A-0100N	Close	Close
802T-AL1W5	Limit	D4A-1103N	Close	Close
802T-AL2P	Limit	D4A-1103N	Direct	Direct
802T-AL2P1	Limit	D4A-0100N	Close	Close
802T-AL2W5	Limit	D4A-1103N	Close	Close
802T-ALP	Limit	D4A-1103N	Direct	Direct
802T-ALP1	Limit	D4A-0100N	Close	Close
802T-ALW5	Limit	D4A-1103N	Close	Direct
802T-AM	Limit	D4A-1105N	Close	Direct
802T-AMP	Limit	D4A-1105N	Direct	Direct
802T-AMP1	Limit	D4A-0100N	Close	Close
802T-AMT	Limit	D4A-2505N	Alternate	Direct
802T-AMTH	Limit	D4A-2505N	Alternate	Direct
802T-AMTP	Limit	D4A-2505N	Direct	Direct
802T-AMTP1	Limit	D4A-0500N	Close	Close
802T-AP	Limit	D4A-1103N	Direct	Direct
802T-AP1	Limit	D4A-0100N	Close	Close
802T-AT	Limit	D4A-2501N	Alternate	Direct
802T-ATH	Limit	D4A-2503N	Alternate	Direct
802T-ATP	Limit	D4A-2503N	Direct	Direct
802T-ATP1	Limit	D4A-0500N	Close	Close
802T-B	Limit	D4A-1109N	Close	Direct
802T-BA	Limit	D4A-1111N	Close	Direct
802T-BAP	Limit	D4A-1111N	Direct	Direct

Allen Bradley Part Number	Type	Omron Part Number	Form	Function
802T-BAP1	Limit	D4A-0100N	Close	Close
802T-BAT	Limit	D4A-2511N	Alternate	Direct
802T-BATH	Limit	D4A-2511N	Alternate	Direct
802T-BATP	Limit	D4A-2511N	Direct	Direct
802T-BATP1	Limit	D4A-0500N	Close	Close
802T-BP	Limit	D4A-1109N	Direct	Direct
802T-BP1	Limit	D4A-0100N	Close	Close
802T-BT	Limit	D4A-2509N	Alternate	Direct
802T-BTH	Limit	D4A-2509N	Alternate	Direct
802T-BTP	Limit	D4A-2509N	Direct	Direct
802T-BTP1	Limit	D4A-0500N	Close	Close
802T-C	Limit	D4A-1106N	Close	Direct
802T-CA1D	Limit	N/A		
802T-CA2D	Limit	N/A		
802T-CAD	Limit	N/A		
802T-CD	Limit	N/A		
802T-CDD	Limit	N/A		
802T-CHD	Limit	N/A		
802T-CM	Limit	N/A		
802T-CMT	Limit	N/A		
802T-CMTH	Limit	N/A		
802T-CP	Limit	D4A-1106N	Direct	Direct
802T-CP1	Limit	D4A-0100N	Close	Close
802T-CT	Limit	D4A-2506N	Alternate	Direct
802T-CTH	Limit	D4A-2506N	Alternate	Direct
802T-CTP	Limit	D4A-2506N	Direct	Direct
802T-CTP1	Limit	D4A-0500N	Close	Close
802T-CW	Limit	D4A-1115N	Close	Direct
802T-CWP	Limit	D4A-1115N	Direct	Direct
802T-CWP1	Limit	D4A-0100N	Close	Close
802T-D	Limit	D4A-1110N	Close	Direct
802T-DA1D	Limit	N/A		
802T-DA2D	Limit	N/A		
802T-DAD	Limit	N/A		
802T-DCD	Limit	N/A		

Allen Bradley Part Number	Type	Omron Part Number	Form	Function
802T-DD	Limit	N/A		
802T-DHD	Limit	N/A		
802T-DP	Limit	D4A-1110N	Direct	Direct
802T-DP1	Limit	D4A-0100N	Close	Close
802T-DT	Limit	D4A-2510N	Alternate	Direct
802T-DTH	Limit	D4A-2510N	Alternate	Direct
802T-DTP	Limit	D4A-2510N	Direct	Direct
802T-DTP1	Limit	D4A-0500N	Close	Close
802T-FP	Limit	D4A-1101N	Direct	Direct
802T-FP1	Limit	D4A-0100N	Close	Close
802T-H	Limit	D4A-1102N	Close	Direct
802T-H1	Limit	D4A-1102N	Close	Direct
802T-H1P	Limit	D4A-1101N	Direct	Direct
802T-H1P1	Limit	D4A-0100N	Close	Close
802T-H1T	Limit	D4A-2502N	Alternate	Direct
802T-H1TH	Limit	D4A-2501N	Alternate	Direct
802T-H1TP	Limit	D4A-2501N	Direct	Direct
802T-H1TP1	Limit	D4A-0500N	Close	Close
802T-H2	Limit	D4A-1102N	Close	Direct
802T-H2P	Limit	D4A-1101N	Direct	Direct
802T-H2P1	Limit	D4A-0100N	Close	Close
802T-H2T	Limit	D4A-2502N	Alternate	Direct
802T-H2TH	Limit	D4A-2501N	Alternate	Direct
802T-H2TP	Limit	D4A-2501N	Direct	Direct
802T-H2TP1	Limit	D4A-0500N	Close	Close
802T-HA1D	Limit	N/A		
802T-HA2D	Limit	N/A		
802T-HAD	Limit	N/A		
802T-HCD	Limit	N/A		
802T-HD	Limit	N/A		
802T-HD	Limit	N/A		
802T-HDD	Limit	N/A		
802T-HP	Limit	D4A-1101N	Direct	Direct
802T-HP1	Limit	D4A-0100N	Close	Close
802T-HT	Limit	D4A-2502N	Alternate	Direct

Allen Bradley Part Number	Type	Omron Part Number	Form	Function
802T-HTH	Limit	D4A-2501N	Alternate	Direct
802T-HTP	Limit	D4A-2501N	Direct	Direct
802T-HTP1	Limit	D4A-0500N	Close	Close
802T-K	Limit	D4A-1107-V-N	Close	Direct
802T-K1	Limit	D4A-1107-H-N	Close	Direct
802T-K1P	Limit	D4A-1107-H-N	Direct	Direct
802T-K1P1	Limit	D4A-0100N	Close	Close
802T-K1T	Limit	D4A-2507-H-N	Alternate	Direct
802T-K1TH	Limit	D4A-2507-H-N	Alternate	Direct
802T-K1TP	Limit	D4A-2507-H-N	Direct	Direct
802T-K1TP1	Limit	D4A-0500N	Close	Close
802T-KP	Limit	D4A-1107-V-N	Direct	Direct
802T-KP1	Limit	D4A-0100N	Close	Close
802T-KT	Limit	D4A-2507-V-N	Alternate	Direct
802T-KTH	Limit	D4A-2507-V-N	Alternate	Direct
802T-KTP	Limit	D4A-2507-V-N	Direct	Direct
802T-KTP1	Limit	D4A-0500N	Close	Close
802T-L1	Limit	D4A-1101N	Close	Close
802T-L1T	Limit	D4A-2501N	Alternate	Close
802T-L1TH	Limit	D4A-2501N	Alternate	Alternate
802T-L2	Limit	D4A-1101N	Close	Close
802T-L2T	Limit	D4A-2501N	Alternate	Close
802T-L2TH	Limit	D4A-2501N	Alternate	Alternate
802T-NP	Limit	D4A-2918N	Close	Direct
802T-NPTP	Limit	D4A-2918N	Direct	Direct
802T-NPTP1	Limit	D4A-0900N	Close	Close
802T-P	Limit	N/A		
802T-R1TD	Limit	N/A		
802T-R2TD	Limit	N/A		
802T-R3TD	Limit	N/A		
802T-R4TD	Limit	N/A		
802T-R5TD	Limit	N/A		
802T-R6TD	Limit	N/A		
802T-R7TD	Limit	N/A		
802T-R8TD	Limit	N/A		

Allen Bradley Part Number	Type	Omron Part Number	Form	Function
802T-W1	Limit	D4A-A00	Close	Direct
802T-W12	Limit	D4A-A20	Close	Direct
802T-W12A	Limit	D4A-A20	Direct	Direct
802T-W14	Limit	D4A-F00	Direct	Direct
802T-W1A	Limit	D4A-A00	Direct	Direct
802T-W1B	Limit	WL-1A400	Direct	Direct
802T-W1C	Limit	D4A-A10	Direct	Direct
802T-W1D	Limit	WL-1A106	Close	Close
802T-W1E	Limit	WL-1A106	Close	Close
802T-W1F	Limit	D4A-A10	Close	Direct
802T-W1G	Limit	WL-1A106	Close	Close
802T-W1H	Limit	WL-1A104	Direct	Direct
802T-W1J	Limit	D4A-A00	Close	Close
802T-W2	Limit	WL-2A111	Direct	Direct
802T-W2A	Limit	WL-2A111	Close	Direct
802T-W2B	Limit	D4A-C00	Direct	Direct
802T-W2C	Limit	D4A-C00	Direct	Close
802T-W2D	Limit	WL-2A111	Close	Direct
802T-W3	Limit	D4A-D00	Direct	Direct
802T-W3A	Limit	WL-4A201	Close	Direct
802T-W3B	Limit	WL-3A100	Close	Direct
802T-W3C	Limit	WL-3A100	Alternate	Alternate
802T-W3F	Limit	WL-4A201	Close	Close
802T-W4	Limit	WL-5A100	Direct	Direct
802T-W4A	Limit	D4A-E20	Close	Direct
802T-W4B	Limit	D4A-E00	Direct	Direct
802T-W4C	Limit	D4A-E20	Direct	Direct
802T-W4D	Limit	WL-5A102	Direct	Direct
802T-W4F	Limit	D4A-E20	Close	Direct
802T-W5	Limit	D4A-D00	Close	Direct
802T-W6	Limit	D4A-A00	Close	Close
802T-W6A	Limit	D4A-A00	Close	Close
802T-W6B	Limit	WL-1A400	Close	Close
802T-W6C	Limit	D4A-A10	Close	Close
802T-W6D	Limit	D4A-A10	Close	Close

Allen Bradley Part Number	Type	Omron Part Number	Form	Function
802T-W6E	Limit	D4A-A10	Close	Close
802T-W6F	Limit	WL-1A104	Close	Close
802T-W7	Limit	D4A-A20	Close	Close
802T-W7A	Limit	D4A-A20	Close	Close
802T-W7B	Limit	D4A-A20	Close	Close
802T-W8	Limit	D4A-D00	Close	Close
802T-W9	Limit	WL-1A104	Close	Close
802T-W9A	Limit	D4A-B06	Close	Close
802T-WS	Limit	D4A-1114N	Close	Direct
802T-WS1	Limit	D4A-1112N	Close	Direct
802T-WS1P	Limit	D4A-1112N	Direct	Direct
802T-WS1P1	Limit	D4A-0100N	Close	Close
802T-WS1T	Limit	D4A-2512N	Alternate	Direct
802T-WS1T	Limit	D4A-2512N	Alternate	Direct
802T-WSP	Limit	D4A-1114N	Direct	Direct
802T-WSP1	Limit	D4A-0100N	Close	Close
802T-WST	Limit	D4A-2524N	Alternate	Direct
802T-WST	Limit	D4A-2514N	Alternate	Direct
802T-X7	Limit	D4A-0100N	Close	Direct
802T-X7N	Limit	D4A-0E00N	Close	Direct
802T-X7U	Limit	D4A-0100N	Close	Close
802T-X8	Limit	D4A-0500N	Close	Direct
802X-A14	Limit	D4A-1101N	Alternate	Direct
802X-A17	Limit	N/A		
802X-A24	Limit	D4A-1101N	Alternate	Direct
802X-A27	Limit	N/A		
802X-A4	Limit	D4A-1101N	Alternate	Direct
802X-A7	Limit	N/A		
802X-AM4	Limit	D4A-1105N	Alternate	Direct
802X-AM7	Limit	N/A		
802X-B4	Limit	D4A-1109N	Alternate	Direct
802X-B7	Limit	N/A		
802X-BA4	Limit	D4A-1111N	Alternate	Direct
802X-BA7	Limit	N/A		
802X-C4	Limit	D4A-1106N	Alternate	Direct

Allen Bradley Part Number	Type	Omron Part Number	Form	Function
802X-C7	Limit	N/A		
802X-CM7	Limit	N/A		
802X-D4	Limit	D4A-1110N	Alternate	Direct
802X-D7	Limit	N/A		
802X-H17	Limit	N/A		
802X-H27	Limit	N/A		
802X-H7	Limit	N/A		
802X-K14	Limit	D4A-1107-H-N	Alternate	Direct
802X-K17	Limit	N/A		
802X-K4	Limit	D4A-1107-V-N	Alternate	Direct
802X-K7	Limit	N/A		
802X-L14	Limit	D4A-1101N	Alternate	Close
802X-L17	Limit	N/A		
802X-L24	Limit	D4A-1101N	Alternate	Close
802X-L27	Limit	N/A		
802X-NP7	Limit	N/A		
802X-WS14	Limit	D4A-1112N	Alternate	Direct
802X-WS17	Limit	N/A		
802X-WS4	Limit	D4A-1114N	Alternate	Direct
802X-WS7	Limit	N/A		
802XR-A3C7	Limit	N/A		
802XR-A3F7	Limit	N/A		
802XR-A4C7	Limit	N/A		
802XR-A4F7	Limit	N/A		
802XR-AC7	Limit	N/A		
802XR-AF7	Limit	N/A		
802XR-AMC7	Limit	N/A		
802XR-AMF7	Limit	N/A		
802XR-BAC7	Limit	N/A		
802XR-BAF7	Limit	N/A		
802XR-BC7	Limit	N/A		
802XR-BF7	Limit	N/A		
802XR-CC7	Limit	N/A		
802XR-CF7	Limit	N/A		
802XR-DC7	Limit	N/A		

Allen Bradley Part Number	Type	Omron Part Number	Form	Function
802XR-DF7	Limit	N/A		
802XR-H1C7	Limit	N/A		
802XR-H1F7	Limit	N/A		
802XR-H2C7	Limit	N/A		
802XR-H2F7	Limit	N/A		
802XR-HC7	Limit	N/A		
802XR-HF7	Limit	N/A		
802XR-K1C7	Limit	N/A		
802XR-K1F7	Limit	N/A		
802XR-KC7	Limit	N/A		
802XR-KF7	Limit	N/A		
802XR-L1C7	Limit	N/A		
802XR-L1F7	Limit	N/A		
802XR-L2C7	Limit	N/A		
802XR-L2F7	Limit	N/A		
802XR-WS1C7	Limit	N/A		
802XR-WS1F7	Limit	N/A		
871A-CRL3N-P2	Prox	N/A		
871A-CRL3N-P5	Prox	N/A		
871A-CRL3P-P2	Prox	N/A		
871A-CRL3P-P5	Prox	N/A		
871A-CRL4N-D2	Prox	Y96E-43RD2	Close	Close
871A-CRL4N-D4	Prox	Y96E-43RD5	Close	Close
871A-CRL4N-D5	Prox	Y96E-43RD5	Close	Close
871A-CRL4P-D2	Prox	Y96E-43RD2	Close	Close
871A-CRL4P-D4	Prox	Y96E-43RD5	Close	Close
871A-CRL4P-D5	Prox	Y96E-43RD5	Close	Close
871A-CS3-R2	Prox	Y96E-33SA6	Direct	Direct
871A-CS3-R4	Prox	Y96E-33SA12	Direct	Direct
871A-CS3-R5	Prox	Y96E-33SA20	Direct	Direct
871A-CS4-D2	Prox	Y96E-43SD2	Direct	Direct
871A-CS4-D4	Prox	Y96E-43SD5	Close	Close
871A-CS4-D5	Prox	Y96E-43SD5	Direct	Close
871C-A10C30-A2	Prox	E2E2-X10Y2-US	Close	Direct
871C-A10C30-N3	Prox	E2E2-X10Y2-M4	Alternate	Direct

Allen Bradley Part Number	Type	Omron Part Number	Form	Function
871C-A10C30-R3	Prox	E2E2-X10Y2-M4	Close	Direct
871C-A10N30-A2	Prox	E2E2-X10Y1-US	Close	Direct
871C-A10N30-N3	Prox	E2E2-X10Y1-M4	Alternate	Direct
871C-A10N30-R3	Prox	E2E2-X10Y1-M4	Close	Direct
871C-A2C12-N3	Prox	E2E2-X2Y2-M4	Alternate	Direct
871C-A2C12-R3	Prox	E2E2-X2Y2-M4	Close	Direct
871C-A2N12-N3	Prox	E2E2-X2Y1-M4	Alternate	Direct
871C-A2N12-R3	Prox	E2E2-X2Y1-M4	Close	Direct
871C-A5C18-A2	Prox	E2E2-X5Y2-US	Close	Direct
871C-A5C18-N3	Prox	E2E2-X5Y2-M4	Alternate	Direct
871C-A5C18-R3	Prox	E2E2-X5Y2-M4	Close	Direct
871C-A5N18-A2	Prox	E2E2-X5Y1-US	Close	Direct
871C-A5N18-N3	Prox	E2E2-X5Y1-M4	Alternate	Direct
871C-A5N18-R3	Prox	E2E2-X5Y1-M4	Close	Direct
871C-C10A30	Prox	E2E2-X10Y1-US	Close	Direct
871C-C10S30	Prox	E2E2-X10Y1-US	Alternate	Direct
871C-C15B30	Prox	E2E2-X18MY1-US	Close	Direct
871C-C15R30	Prox	E2E2-X18MY1-US	Alternate	Direct
871C-C40VS77	Prox	N/A		
871C-C5A18	Prox	E2E2-X5Y1-US	Close	Direct
871C-C5S18	Prox	E2E2-X5Y1-US	Alternate	Direct
871C-C8B18	Prox	E2E2-X10MY1-US	Close	Direct
871C-C8R18	Prox	E2E2-X10MY1-US	Alternate	Direct
871C-D10A30	Prox	E2E2-X10Y2-US	Close	Direct
871C-D10BP30-D4	Prox	N/A		
871C-D10BP30-E2	Prox	N/A		
871C-D10NN30-D4	Prox	E2E2-X10C1-M1	Close	Direct
871C-D10NP30-D4	Prox	E2E2-X10B1-M1	Close	Direct
871C-D10NP30-U2	Prox	E2E-X10F1-N	Close	Close
871C-D10S30	Prox	E2E2-X10Y2-US	Alternate	Direct
871C-D15B30	Prox	E2E2-X18MY2-US	Close	Direct
871C-D15NN30-D4	Prox	E2E2-X18MC1-M1	Close	Direct
871C-D15NP30-D4	Prox	E2E2-X18MB1-M1	Close	Direct
871C-D15R30	Prox	E2E2-X18MY2-US	Alternate	Direct
871C-D1CN8-E2	Prox	E2E-X1R5E2-N	Direct	Direct

Allen Bradley Part Number	Type	Omron Part Number	Form	Function
871C-D1CP8-E2	Prox	E2E-X1R5F2-N	Direct	Direct
871C-D1NN4-E2	Prox	N/A		
871C-D1NN5-E2	Prox	E2E-X1C1	Direct	Direct
871C-D1NN5-P3	Prox	N/A		
871C-D1NN8-D4	Prox	E2E-X1R5E1-M1-N	Direct	Direct
871C-D1NN8-E2	Prox	E2E-X1R5E1-N	Direct	Direct
871C-D1NN8-P3	Prox	E2E-X1R5E1-M3	Close	Direct
871C-D1NP4-E2	Prox	N/A		
871C-D1NP5-E2	Prox	E2E-X1B1	Direct	Direct
871C-D1NP5-P3	Prox	N/A		
871C-D1NP8-D4	Prox	E2E-X1R5F1-M1-N	Direct	Direct
871C-D1NP8-E2	Prox	E2E-X1R5F1-N	Direct	Direct
871C-D1NP8-P3	Prox	E2E-X1R5F1-M3	Close	Direct
871C-D2BP12-D4	Prox	N/A		
871C-D2BP12-E2	Prox	N/A		
871C-D2CN8-E2	Prox	E2E-X2ME2-N	Direct	Direct
871C-D2CP8-E2	Prox	E2E-X2MF2-N	Direct	Direct
871C-D2NE12-A2	Prox	E2E2-X3D1	Close	Direct
871C-D2NN12-D4	Prox	E2E2-X2C1-M1	Close	Direct
871C-D2NN8-D4	Prox	E2E-X2ME1-M1-N	Direct	Direct
871C-D2NN8-E2	Prox	E2E-X2ME1-N	Direct	Direct
871C-D2NN8-P3	Prox	E2E-X2ME1-M3	Close	Direct
871C-D2NP12-D4	Prox	E2E2-X2B1-M1	Close	Direct
871C-D2NP8-D4	Prox	E2E-X2MF1-M1-N	Direct	Direct
871C-D2NP8-E2	Prox	E2E-X2MF1-N	Direct	Direct
871C-D2NP8-P3	Prox	E2E-X2MF1-M3	Close	Direct
871C-D40VS77	Prox	N/A		
871C-D4NE12-A2	Prox	E2E2-X8MD1	Close	Direct
871C-D4NN12-D4	Prox	E2E2-X5MC1-M1	Close	Direct
871C-D4NP12-D4	Prox	E2E2-X5MB1-M1	Close	Direct
871C-D5A18	Prox	E2E2-X5Y2-US	Close	Direct
871C-D5BP18-D4	Prox	N/A		
871C-D5BP18-E2	Prox	N/A		
871C-D5NE18-A2	Prox	E2E2-X7D1	Close	Direct
871C-D5NN18-D4	Prox	E2E2-X5C1-M1	Close	Direct

Allen Bradley Part Number	Type	Omron Part Number	Form	Function
871C-D5NP18-D4	Prox	E2E2-X5B1-M1	Close	Direct
871C-D5S18	Prox	E2E2-X5Y2-US	Alternate	Direct
871C-D8B18	Prox	E2E2-X10MY2-US	Close	Direct
871C-D8NE18-A2	Prox	E2E2-X14MD1	Close	Direct
871C-D8NN18-D4	Prox	E2E2-X10MC1-M1	Close	Direct
871C-D8NP18-D4	Prox	E2E2-X10MB1-M1	Close	Direct
871C-D8R18	Prox	E2E2-X10MY2-US	Alternate	Direct
871C-DE15NP30-D4	Prox	E2E2-X10B1-M1	Close	Close
871C-DE15NP30-E2	Prox	E2E2-X10B1	Close	Close
871C-DE4NP12-D4	Prox	E2E2-X2B1-M1	Close	Close
871C-DE4NP12-E2	Prox	E2E2-X2B1	Close	Close
871C-DE8NP18-D4	Prox	E2E2-X5B1-M1	Close	Close
871C-DE8NP18-E2	Prox	E2E2-X5B1	Close	Close
871C-DH10NN30-E2	Prox	E2E-X10E1-N	Close	Direct
871C-DH10NP30-E2	Prox	E2E-X10F1-N	Close	Direct
871C-DH15NN30-E2	Prox	E2E-X18ME1-N	Close	Direct
871C-DH15NP30-E2	Prox	E2E-X18MF1-N	Close	Direct
871C-DH2NN12-E2	Prox	E2E-X2E1-N	Close	Direct
871C-DH2NP12-E2	Prox	E2E-X2F1-N	Close	Direct
871C-DH4NN12-E2	Prox	E2E-X5ME1-N	Close	Direct
871C-DH4NP12-E2	Prox	E2E-X5MF1-N	Close	Direct
871C-DH5NN18-E2	Prox	E2E-X5E1-N	Close	Direct
871C-DH5NP18-E2	Prox	E2E-X5F1-N	Close	Direct
871C-DH8NN18-E2	Prox	E2E-X10ME1-N	Close	Direct
871C-DH8NP18-E2	Prox	E2E-X10MF1-N	Close	Direct
871C-DM1NN3-E2	Prox	N/A		
871C-DM1NN4-E2	Prox	E2E-CR8C1	Direct	Direct
871C-DM1NN4-P3	Prox	N/A		
871C-DM1NN7-E2	Prox	N/A		
871C-DM1NN7-P3	Prox	N/A		
871C-DM1NP3-E2	Prox	N/A		
871C-DM1NP4-E2	Prox	E2E-CR8B1	Direct	Direct
871C-DM1NP7-E2	Prox	N/A		
871C-DM1NP7-P3	Prox	N/A		
871C-DT10NP30-D4	Prox	E2E-X10F1-M1-N	Close	Close

Allen Bradley Part Number	Type	Omron Part Number	Form	Function
871C-DT15NP30-D4	Prox	E2E-X18MF1-M1-N	Close	Close
871C-DT15NP30-U2	Prox	E2E-X18MF1-N	Close	Close
871C-DT2NP12-D4	Prox	E2E-X2F1-M1-N	Close	Close
871C-DT2NP12-U2	Prox	E2E-X2F1-N	Close	Close
871C-DT4NP12-D4	Prox	E2E-X5MF1-M1-N	Close	Close
871C-DT4NP12-U2	Prox	E2E-X5MF1-N	Close	Close
871C-DT5NP18-D4	Prox	E2E-X5F1-M1-N	Close	Close
871C-DT5NP18-U2	Prox	E2E-X5F1-N	Close	Close
871C-DT8NP18-D4	Prox	E2E-X10MF1-M1-N	Close	Close
871C-DT8NP18-U2	Prox	E2E-X10MF1-N	Close	Close
871C-DW10NP30-D4	Prox	TL-X10F1-52	Close	Direct
871C-DW10NP30-E2	Prox	TL-X10F1-52	Close	Direct
871C-DW10NP30-N4	Prox	TL-X10F1-52	Direct	Direct
871C-DW15NP30-D4	Prox	N/A		
871C-DW15NP30-E2	Prox	N/A		
871C-DW15NP30-N4	Prox	N/A		
871C-DW2NP12-D4	Prox	N/A		
871C-DW2NP12-E2	Prox	N/A		
871C-DW4NP12-D4	Prox	N/A		
871C-DW4NP12-E2	Prox	N/A		
871C-DW5NP18-D4	Prox	TL-X5F1-52	Close	Direct
871C-DW5NP18-E2	Prox	TL-X5F1-52	Close	Direct
871C-DW5NP18-N4	Prox	TL-X5F1-52	Direct	Direct
871C-DW8NP18-D4	Prox	N/A		
871C-DW8NP18-E2	Prox	N/A		
871C-DW8NP18-N4	Prox	N/A		
871C-E2A12	Prox	E2E2-X2Y1-US	Close	Direct
871C-E4B12	Prox	E2E2-X5MY1-US	Close	Direct
871C-F2A12	Prox	E2E2-X2Y2-US	Close	Direct
871C-F4B12	Prox	E2E2-X5MY2-US	Close	Direct
871C-J10A30	Prox	E2E2-X10C2	Close	Direct
871C-J10S30	Prox	E2E2-X10C2	Close	Direct
		E2F-X10E2	Close	Direct
871C-J15B30	Prox	E2E2-X18MC2	Close	Direct
871C-J15R30	Prox	E2E2-X18MC2	Close	Direct

Allen Bradley Part Number	Type	Omron Part Number	Form	Function
871C-J2A12	Prox	E2E2-X2C2	Close	Direct
871C-J4B12	Prox	E2E2-X5MC2	Close	Direct
871C-J5A18	Prox	E2E2-X5C2	Close	Direct
871C-J8B18	Prox	E2E2-X10MC2	Close	Direct
871C-K10A30	Prox	E2E2-X10B2	Close	Direct
871C-K10S30	Prox	E2E2-X10B2	Close	Direct
		E2F-X10F2	Close	Direct
871C-K15B30	Prox	E2E2-X18MB2	Close	Direct
871C-K15R30	Prox	E2E2-X18MB2	Close	Direct
871C-K2A12	Prox	E2E2-X2B2	Close	Direct
871C-K4B12	Prox	E2E2-X5MB2	Close	Direct
871C-K5A18	Prox	E2E2-X5B2	Close	Direct
871C-K8B18	Prox	E2E2-X10MB2	Close	Direct
871C-N10A30	Prox	E2E2-X10C1	Close	Direct
871C-N15B30	Prox	E2E2-X18MC1	Close	Direct
871C-N15R30	Prox	E2E2-X18MC1	Close	Direct
871C-N2A12	Prox	E2E2-X2C1	Close	Direct
871C-N30V50	Prox	N/A		
871C-N4B12	Prox	E2E2-X5MC1	Close	Direct
871C-N4R12	Prox	E2E2-X5MC1	Close	Direct
871C-N5A18	Prox	E2E2-X5C1	Close	Direct
871C-N5S18	Prox	E2E2-X5C1	Close	Direct
		E2F-X5E1	Close	Direct
871C-N8B18	Prox	E2E2-X10MC1	Close	Direct
871C-N8R18	Prox	E2E2-X10MC1	Close	Direct
871C-P10A30	Prox	E2E2-X10B1	Close	Direct
871C-P15B30	Prox	E2E2-X18MB1	Close	Direct
871C-P15R30	Prox	E2E2-X18MB1	Close	Direct
871C-P2A12	Prox	E2E2-X2B1	Close	Direct
871C-P4B12	Prox	E2E2-X5MB1	Close	Direct
871C-P4R12	Prox	E2E2-X5MB1	Close	Direct
871C-P5A18	Prox	E2E2-X5B1	Close	Direct
871C-P5S18	Prox	E2E2-X5B1	Close	Direct
		E2F-X5F1	Close	Direct
871C-P8B18	Prox	E2E2-X10MB1	Close	Direct

Allen Bradley Part Number	Type	Omron Part Number	Form	Function
871C-P8R18	Prox	E2E2-X10MB1	Close	Direct
871F-A20N50-N3	Prox	N/A		
871F-A50C80-T2	Prox	N/A		
871F-A50N80-N3	Prox	N/A		
871F-A50N80-T2	Prox	N/A		
871F-D40BP80-N4	Prox	N/A		
871F-D40BP80-T4	Prox	N/A		
871F-D50BP80-N4	Prox	N/A		
871F-D50BP80-T4	Prox	N/A		
871F-D70NN50-D4	Prox	N/A		
871F-D70NN50-E2	Prox	N/A		
871F-D70NP50-D4	Prox	N/A		
871F-D70NP50-E2	Prox	N/A		
871L-B20E40-N3	Prox	E2Q-N15Y4-50	Close	Close
		E2Q-N15[]3-50	Close	Close
871L-B20E40-R3	Prox	E2Q-N15Y4-[]	Close	Close
		E2Q-N15[]3-[]	Close	Close
871L-B20E40-T2	Prox	E2Q-N15Y4	Close	Close
		E2Q-N15[]3	Close	Close
871L-B40E40-N3	Prox	E2Q-N25MY4-50	Close	Close
		E2Q-N25M[]3-50	Close	Close
871L-B40E40-R3	Prox	E2Q-N25MY4-[]	Close	Close
		E2Q-N25M[]3-[]	Close	Close
871L-B40E40-T2	Prox	E2Q-N25MY4	Close	Close
		E2Q-N25M[]3	Close	Close
871L-D20EN40-D4	Prox	E2Q-N15E3-50	Close	Close
871L-D20EN40-N4	Prox	E2Q-N15E3-50	Close	Close
871L-D20EN40-T3	Prox	E2Q-N15E3	Close	Close
871L-D20EP40-D4	Prox	E2Q-N15F3-50	Close	Close
871L-D20EP40-N4	Prox	E2Q-N15F3-50	Close	Close
871L-D20EP40-T3	Prox	E2Q-N15F3	Close	Close
871L-D40EN40-D4	Prox	E2Q-N25ME3-50	Close	Close
871L-D40EN40-N4	Prox	E2Q-N25ME3-50	Close	Close
871L-D40EN40-T3	Prox	E2Q-N25ME3	Close	Close
871L-D40EP40-D4	Prox	E2Q-N25MF3-50	Close	Close

Allen Bradley Part Number	Type	Omron Part Number	Form	Function
871L-D40EP40-N4	Prox	E2Q-N25MF3-50	Close	Close
871L-D40EP40-T3	Prox	E2Q-N25MF3	Close	Close
871L-SC15L40	Prox	N/A		
871P-C13CCF	Prox	E2Q-N15Y4-5[]	Close	Close
871P-C13CCF-S6	Prox	E2Q-N15Y4-5[]	Close	Close
871P-C13CCL	Prox	E2Q-N15Y4-5[]	Close	Close
871P-C13CCL-S6	Prox	E2Q-N15Y4-5[]	Close	Close
871P-C13CCR	Prox	E2Q-N15Y4-5[]	Close	Close
871P-C13CCR-S6	Prox	E2Q-N15Y4-5[]	Close	Close
871P-C13CCT	Prox	E2Q-N15Y4-5[]	Close	Close
871P-C13CCT-S6	Prox	E2Q-N15Y4-5[]	Close	Close
871P-C13CRF	Prox	E2Q-N15Y4-52	Close	Close
871P-C13CRL	Prox	E2Q-N15Y4-52	Close	Close
871P-C13CRR	Prox	E2Q-N15Y4-52	Close	Close
871P-C13CRT	Prox	E2Q-N15Y4-52	Close	Close
871P-E13GAF	Prox	TL-YS15MY11-US	Close	Close
871P-E13GCF	Prox	TL-YS15MY11-US	Close	Close
871P-E13GCF-S6	Prox	TL-YS15MY11-US	Close	Close
871P-E13GCL	Prox	TL-YS15MY12-US	Close	Close
871P-E13GCL-S6	Prox	TL-YS15MY12-US	Close	Close
871P-E13GCR	Prox	TL-YS15MY14-US	Close	Close
871P-E13GCR-S6	Prox	TL-YS15MY14-US	Close	Close
871P-E13GCT	Prox	TL-YS15MY1-US	Close	Close
871P-E13GCT-S6	Prox	TL-YS15MY1-US	Close	Close
871P-E13GRL	Prox	TL-YS15MY12-US	Close	Close
871P-E13GRR	Prox	TL-YS15MY14-US	Close	Close
871P-E13GRT	Prox	TL-YS15MY1-US	Close	Close
871T-A3A18FE-12	Prox	N/A		
871T-A3J18FE	Prox	N/A		
871T-A5A18FE-12	Prox	N/A		
871T-A5J18FE	Prox	N/A		
871T-AX01	Prox	N/A		
871T-G2A12	Prox	E2E2-X2Y1-US	Close	Direct
871T-G4B12	Prox	E2E2-X5MY1-US	Close	Direct
871T-G5A18	Prox	E2E2-X5Y1-US	Close	Direct

Allen Bradley Part Number	Type	Omron Part Number	Form	Function
871T-G5J18	Prox	E2E2-X5Y1-M4	Alternate	Direct
871T-G5Q18FT	Prox	E2E2-X5Y1-M4	Alternate	Direct
871T-G8B18	Prox	E2E2-X10MY1-US	Close	Direct
871T-G8K18	Prox	E2E2-X10MY1-M4	Alternate	Direct
871T-H2A12	Prox	E2E2-X2Y2-US	Close	Direct
871T-H4B12	Prox	E2E2-X5MY2-US	Close	Direct
871T-H5A18	Prox	E2E2-X5Y2-US	Close	Direct
871T-H5J18	Prox	E2E2-X5Y2-M4	Alternate	Direct
871T-H8B18	Prox	E2E2-X10MY2-US	Close	Direct
871T-H8K18	Prox	E2E2-X10MY2-M4	Alternate	Direct
871T-L2A12	Prox	E2E2-X2B1	Close	Direct
871T-L4B12	Prox	E2E2-X5MB1	Close	Direct
871T-L5A18	Prox	E2E2-X5B1	Close	Direct
871T-L5J18	Prox	E2E2-X5B1-M1	Alternate	Direct
871T-L8B18	Prox	E2E2-X10MB1	Close	Direct
871T-L8K18	Prox	E2E2-X10MB1-M1	Alternate	Direct
871T-R2A12	Prox	E2E2-X2C1	Close	Direct
871T-R4B12	Prox	E2E2-X5MC1	Close	Direct
871T-R5A18	Prox	E2E2-X5C1	Close	Direct
871T-R5J18	Prox	E2E2-X5C1-M1	Alternate	Direct
871T-R8B18	Prox	E2E2-X10MC1	Close	Direct
871T-R8K18	Prox	E2E2-X10MC1-M1	Alternate	Direct
871TM-B10C30-A2	Prox	N/A		
871TM-B10C30-H2	Prox	N/A		
871TM-B10C30-N3	Prox	N/A		
871TM-B10C30-R3	Prox	E2E2-X10Y2-M4	Close	Direct
871TM-B10N30-A2	Prox	E2E-X10T1	Close	Close
871TM-B10N30-H2	Prox	E2E-X10T1	Close	Close
871TM-B10N30-N3	Prox	N/A		
871TM-B10N30-R3	Prox	E2E2-X10Y1-M4	Close	Direct
871TM-B15C30-A2	Prox	N/A		
871TM-B15C30-H2	Prox	N/A		
871TM-B15C30-N3	Prox	N/A		
871TM-B15C30-R3	Prox	E2E2-X18MY2-M4	Close	Direct
871TM-B15N30-A2	Prox	N/A		

Allen Bradley Part Number	Type	Omron Part Number	Form	Function
871TM-B15N30-H2	Prox	N/A		
871TM-B15N30-N3	Prox	N/A		
871TM-B15N30-R3	Prox	E2E2-X18MY1-M4	Close	Direct
871TM-B2C12-A2	Prox	N/A		
871TM-B2C12-C2	Prox	N/A		
871TM-B2C12-N3	Prox	N/A		
871TM-B2C12-R3	Prox	E2E2-X2Y2-M4	Close	Direct
871TM-B2N12-A2	Prox	E2E-X3T1	Close	Close
871TM-B2N12-C2	Prox	E2E-X3T1	Close	Close
871TM-B2N12-N3	Prox	N/A		
871TM-B2N12-R3	Prox	E2E2-X2Y1-M4	Close	Direct
871TM-B4C12-A2	Prox	N/A		
871TM-B4C12-C2	Prox	N/A		
871TM-B4C12-N3	Prox	N/A		
871TM-B4C12-R3	Prox	E2E2-X5MY2-M4	Close	Direct
871TM-B4N12-A2	Prox	N/A		
871TM-B4N12-C2	Prox	N/A		
871TM-B4N12-N3	Prox	N/A		
871TM-B4N12-R3	Prox	E2E2-X5MY1-M4	Close	Direct
871TM-B5C18-A2	Prox	N/A		
871TM-B5C18-H2	Prox	N/A		
871TM-B5C18-N3	Prox	N/A		
871TM-B5C18-R3	Prox	E2E2-X5Y2-M4	Close	Direct
871TM-B5N18-A2	Prox	E2E-X7T1	Close	Close
871TM-B5N18-H2	Prox	E2E-X7T1	Close	Close
871TM-B5N18-N3	Prox	N/A		
871TM-B5N18-R3	Prox	E2E2-X5Y1-M4	Close	Direct
871TM-B8C18-A2	Prox	N/A		
871TM-B8C18-H2	Prox	N/A		
871TM-B8C18-N3	Prox	N/A		
871TM-B8C18-R3	Prox	E2E2-X10MY2-M4	Close	Direct
871TM-B8N18-A2	Prox	N/A		
871TM-B8N18-H2	Prox	N/A		
871TM-B8N18-N3	Prox	N/A		
871TM-B8N18-R3	Prox	E2E2-X10MY1-M4	Close	Direct

Allen Bradley Part Number	Type	Omron Part Number	Form	Function
871TM-DF1CN12-A2	Prox	N/A		
871TM-DF1CN12-C2	Prox	N/A		
871TM-DF1CN12-D4	Prox	N/A		
871TM-DF1CN12-N4	Prox	N/A		
871TM-DF1CP12-A2	Prox	N/A		
871TM-DF1CP12-C2	Prox	N/A		
871TM-DF1CP12-D4	Prox	N/A		
871TM-DF1CP12-N4	Prox	N/A		
871TM-DF1NN12-A2	Prox	N/A		
871TM-DF1NN12-C2	Prox	N/A		
871TM-DF1NN12-D4	Prox	N/A		
871TM-DF1NN12-N4	Prox	N/A		
871TM-DF1NP12-A2	Prox	N/A		
871TM-DF1NP12-C2	Prox	N/A		
871TM-DF1NP12-D4	Prox	N/A		
871TM-DF1NP12-N4	Prox	N/A		
871TM-DF3NP18-A2	Prox	N/A		
871TM-DF3NP18-D4	Prox	N/A		
871TM-DF3NP18-H2	Prox	N/A		
871TM-DF3NP18-N4	Prox	N/A		
871TM-DH10CE30-A2	Prox	E2E-X10D2-N-N	Close	Direct
		E2E2-X10D2	Close	Direct
871TM-DH10CE30-D4	Prox	E2E-X10D2-M1-N	Close	Direct
		E2E-X10D2-M1G-N	Close	Direct
871TM-DH10CE30-H2	Prox	E2E-X10D2-N-N	Close	Direct
		E2E2-X10D2	Close	Direct
871TM-DH10CE30-N4	Prox	E2E-X10D2-M1-N	Alternate	Direct
		E2E-X10D2-M1G-N	Alternate	Direct
871TM-DH10CN30-A2	Prox	E2E-X10E2-N	Close	Direct
		E2E2-X10C2	Close	Direct
871TM-DH10CN30-D4	Prox	E2E-X10E2-M1-N	Close	Direct
		E2E2-X10C2-M1	Close	Direct
871TM-DH10CN30-H2	Prox	E2E-X10E2-N	Close	Direct
		E2E2-X10C2	Close	Direct

Allen Bradley Part Number	Type	Omron Part Number	Form	Function
871TM-DH10CN30-N4	Prox	E2E-X10E2-M1-N	Alternate	Direct
		E2E2-X10C2-M1	Alternate	Direct
871TM-DH10CP30-A2	Prox	E2E-X10F2-N	Close	Direct
		E2E2-X10B2	Close	Direct
871TM-DH10CP30-D4	Prox	E2E-X10F2-M1-N	Close	Direct
		E2E2-X10B2-M1	Close	Direct
871TM-DH10CP30-H2	Prox	E2E-X10F2-N	Close	Direct
		E2E2-X10B2	Close	Direct
871TM-DH10CP30-N4	Prox	E2E-X10F2-M1-N	Alternate	Direct
		E2E2-X10B2-M1	Alternate	Direct
871TM-DH10NE30-A2	Prox	E2E-X10D1-N-N	Close	Direct
		E2E2-X10D1	Close	Direct
871TM-DH10NE30-D4	Prox	E2E-X10D1-M1-N	Close	Direct
		E2E-X10D1-M1G-N	Close	Direct
871TM-DH10NE30-H2	Prox	E2E-X10D1-N-N	Close	Direct
		E2E2-X10D1	Close	Direct
871TM-DH10NE30-N4	Prox	E2E-X10D1-M1-N	Alternate	Direct
		E2E-X10D1-M1G-N	Alternate	Direct
871TM-DH10NN30-A2	Prox	E2E-X10E1-N	Close	Direct
		E2E2-X10C1	Close	Direct
871TM-DH10NN30-D4	Prox	E2E-X10E1-M1-N	Close	Direct
		E2E2-X10C1-M1	Close	Direct
871TM-DH10NN30-H2	Prox	E2E-X10E1-N	Close	Direct
		E2E2-X10C1	Close	Direct
871TM-DH10NN30-N4	Prox	E2E-X10E1-M1-N	Alternate	Direct
		E2E2-X10C1-M1	Alternate	Direct
871TM-DH10NP30-A2	Prox	E2E-X10F1-N	Close	Direct
		E2E2-X10B1	Close	Direct
871TM-DH10NP30-D4	Prox	E2E-X10F1-M1-N	Close	Direct
		E2E2-X10B1-M1	Close	Direct
871TM-DH10NP30-H2	Prox	E2E-X10F1-N	Close	Direct
		E2E2-X10B1	Close	Direct
871TM-DH10NP30-N4	Prox	E2E-X10F1-M1-N	Alternate	Direct
		E2E2-X10B1-M1	Alternate	Direct

Allen Bradley Part Number	Type	Omron Part Number	Form	Function
871TM-DH15CE30-A2	Prox	E2E-X20MD2-N	Close	Direct
		E2E2-X20MD2	Close	Direct
871TM-DH15CE30-D4	Prox	E2E-X20MD2-M1-N	Close	Direct
		E2E-X20MD2-M1G-N	Close	Direct
871TM-DH15CE30-H2	Prox	E2E-X20MD2-N	Close	Direct
		E2E2-X20MD2	Close	Direct
871TM-DH15CE30-N4	Prox	E2E-X20MD2-M1-N	Alternate	Direct
		E2E-X20MD2-M1G-N	Alternate	Direct
871TM-DH15CN30-A2	Prox	E2E-X18ME2-N	Close	Direct
		E2E2-X18MC2	Close	Direct
871TM-DH15CN30-D4	Prox	E2E-X18ME2-M1-N	Close	Direct
		E2E2-X18MC2-M1	Close	Direct
871TM-DH15CN30-H2	Prox	E2E-X18ME2-N	Close	Direct
		E2E2-X18MC2	Close	Direct
871TM-DH15CN30-N4	Prox	E2E-X18ME2-M1-N	Alternate	Direct
		E2E2-X18MC2-M1	Alternate	Direct
871TM-DH15CP30-A2	Prox	E2E-X18MF2-N	Close	Direct
		E2E2-X18MB2	Close	Direct
871TM-DH15CP30-D4	Prox	E2E-X18MF2-M1-N	Close	Direct
		E2E2-X18MB2-M1	Close	Direct
871TM-DH15CP30-H2	Prox	E2E-X18MF2-N	Close	Direct
		E2E2-X18MB2	Close	Direct
871TM-DH15CP30-N4	Prox	E2E-X18MF2-M1-N	Alternate	Direct
		E2E2-X18MB2-M1	Alternate	Direct
871TM-DH15NE30-A2	Prox	E2E-X20MD1-N	Close	Direct
		E2E2-X20MD1	Close	Direct
871TM-DH15NE30-D4	Prox	E2E-X20MD1-M1-N	Close	Direct
		E2E-X20MD1-M1G-N	Close	Direct
871TM-DH15NE30-H2	Prox	E2E-X20MD1-N	Close	Direct
		E2E2-X20MD1	Close	Direct
871TM-DH15NE30-N4	Prox	E2E-X20MD1-M1-N	Alternate	Direct
		E2E-X20MD1-M1G-N	Alternate	Direct
871TM-DH15NN30-A2	Prox	E2E-X18ME1-N	Close	Direct
		E2E2-X18MC1	Close	Direct

Allen Bradley Part Number	Type	Omron Part Number	Form	Function
871TM-DH15NN30-D4	Prox	E2E-X18ME1-M1-N	Close	Direct
		E2E2-X18MC1-M1	Close	Direct
871TM-DH15NN30-H2	Prox	E2E-X18ME1-N	Close	Direct
		E2E2-X18MC1	Close	Direct
871TM-DH15NN30-N4	Prox	E2E-X18ME1-M1-N	Alternate	Direct
		E2E2-X18MC1-M1	Alternate	Direct
871TM-DH15NP30-A2	Prox	E2E-X18MF1-N	Close	Direct
		E2E2-X18MB1	Close	Direct
871TM-DH15NP30-D4	Prox	E2E-X18MF1-M1-N	Close	Direct
		E2E2-X18MB1-M1	Close	Direct
871TM-DH15NP30-H2	Prox	E2E-X18MF1-N	Close	Direct
		E2E2-X18MB1	Close	Direct
871TM-DH15NP30-N4	Prox	E2E-X18MF1-M1-N	Alternate	Direct
		E2E2-X18MB1-M1	Alternate	Direct
871TM-DH2CE12-A2	Prox	E2E-X3D2-N-N	Close	Direct
		E2E2-X3D2	Close	Direct
871TM-DH2CE12-C2	Prox	E2E-X3D2-N-N	Close	Direct
		E2E2-X3D2	Close	Direct
871TM-DH2CE12-D4	Prox	E2E-X3D2-M1-N	Close	Direct
		E2E-X3D2-M1G-N	Close	Direct
871TM-DH2CE12-N4	Prox	E2E-X3D2-M1-N	Alternate	Direct
		E2E-X3D2-M1G-N	Alternate	Direct
871TM-DH2CN12-A2	Prox	E2E-X2E2-N	Close	Direct
		E2E2-X2C2	Close	Direct
871TM-DH2CN12-C2	Prox	E2E-X2E2-N	Close	Direct
		E2E2-X2C2	Close	Direct
871TM-DH2CN12-D4	Prox	E2E-X2E2-M1-N	Close	Direct
		E2E2-X2C2-M1	Close	Direct
871TM-DH2CN12-N4	Prox	E2E-X2E2-M1-N	Alternate	Direct
		E2E2-X2C2-M1	Alternate	Direct
871TM-DH2CP12-A2	Prox	E2E-X2F2-N	Close	Direct
		E2E2-X2B2	Close	Direct
871TM-DH2CP12-C2	Prox	E2E-X2F2-N	Close	Direct
		E2E2-X2B2	Close	Direct

Allen Bradley Part Number	Type	Omron Part Number	Form	Function
871TM-DH2CP12-D4	Prox	E2E-X2F2-M1-N	Close	Direct
		E2E2-X2B2-M1	Close	Direct
871TM-DH2CP12-N4	Prox	E2E-X2F2-M1-N	Alternate	Direct
		E2E2-X2B2-M1	Alternate	Direct
871TM-DH2NE12-A2	Prox	E2E-X3D1-N-N	Close	Direct
		E2E2-X3D1	Close	Direct
871TM-DH2NE12-C2	Prox	E2E-X3D1-N-N	Close	Direct
		E2E2-X3D1	Close	Direct
871TM-DH2NE12-D4	Prox	E2E-X3D1-M1-N	Close	Direct
		E2E-X3D1-M1G-N	Close	Direct
871TM-DH2NE12-N4	Prox	E2E-X3D1-M1-N	Alternate	Direct
		E2E-X3D1-M1G-N	Alternate	Direct
871TM-DH2NN12-A2	Prox	E2E-X2E1-N	Close	Direct
		E2E2-X2C1	Close	Direct
871TM-DH2NN12-C2	Prox	E2E-X2E1-N	Close	Direct
		E2E2-X2C1	Close	Direct
871TM-DH2NN12-D4	Prox	E2E-X2E1-M1-N	Close	Direct
		E2E2-X2C1-M1	Close	Direct
871TM-DH2NN12-N4	Prox	E2E-X2E1-M1-N	Alternate	Direct
		E2E2-X2C1-M1	Alternate	Direct
871TM-DH2NP12-A2	Prox	E2E-X2F1-N	Close	Direct
		E2E2-X2B1	Close	Direct
871TM-DH2NP12-C2	Prox	E2E-X2F1-N	Close	Direct
		E2E2-X2B1	Close	Direct
871TM-DH2NP12-D4	Prox	E2E-X2F1-M1-N	Close	Direct
		E2E2-X2B1-M1	Close	Direct
871TM-DH2NP12-N4	Prox	E2E-X2F1-M1-N	Alternate	Direct
		E2E2-X2B1-M1	Alternate	Direct
871TM-DH4CE12-A2	Prox	E2E-X8MD2-N	Close	Direct
		E2E2-X8MD2	Close	Direct
871TM-DH4CE12-C2	Prox	E2E-X8MD2-N	Close	Direct
		E2E2-X8MD2	Close	Direct
871TM-DH4CE12-D4	Prox	E2E-X8MD2-M1-N	Close	Direct
		E2E-X8MD2-M1G-N	Close	Direct

Allen Bradley Part Number	Type	Omron Part Number	Form	Function
871TM-DH4CE12-N4	Prox	E2E-X8MD2-M1-N	Alternate	Direct
		E2E-X8MD2-M1G-N	Alternate	Direct
871TM-DH4CN12-A2	Prox	E2E-X5ME2-N	Close	Direct
		E2E2-X5MC2	Close	Direct
871TM-DH4CN12-C2	Prox	E2E-X5ME2-N	Close	Direct
		E2E2-X5MC2	Close	Direct
871TM-DH4CN12-D4	Prox	E2E-X5ME2-M1-N	Close	Direct
		E2E2-X5MC2-M1	Close	Direct
871TM-DH4CN12-N4	Prox	E2E-X5ME2-M1-N	Alternate	Direct
		E2E2-X5MC2-M1	Alternate	Direct
871TM-DH4CP12-A2	Prox	E2E-X5MF2-N	Close	Direct
		E2E2-X5MB2	Close	Direct
871TM-DH4CP12-C2	Prox	E2E-X5MF2-N	Close	Direct
		E2E2-X5MB2	Close	Direct
871TM-DH4CP12-D4	Prox	E2E-X5MF2-M1-N	Close	Direct
		E2E2-X5MB2-M1	Close	Direct
871TM-DH4CP12-N4	Prox	E2E-X5MF2-M1-N	Alternate	Direct
		E2E2-X5MB2-M1	Alternate	Direct
871TM-DH4NE12-A2	Prox	E2E-X8MD1-N	Close	Direct
		E2E2-X8MD1	Close	Direct
871TM-DH4NE12-C2	Prox	E2E-X8MD1-N	Close	Direct
		E2E2-X8MD1	Close	Direct
871TM-DH4NE12-D4	Prox	E2E-X8MD1-M1-N	Close	Direct
		E2E-X8MD1-M1G-N	Close	Direct
871TM-DH4NE12-N4	Prox	E2E-X8MD1-M1-N	Alternate	Direct
		E2E-X8MD1-M1G-N	Alternate	Direct
871TM-DH4NN12-A2	Prox	E2E-X5ME1-N	Close	Direct
		E2E2-X5MC1	Close	Direct
871TM-DH4NN12-C2	Prox	E2E-X5ME1-N	Close	Direct
		E2E2-X5MC1	Close	Direct
871TM-DH4NN12-D4	Prox	E2E-X5ME1-M1-N	Close	Direct
		E2E2-X5MC1-M1	Close	Direct
871TM-DH4NN12-N4	Prox	E2E-X5ME1-M1-N	Alternate	Direct
		E2E2-X5MC1-M1	Alternate	Direct

Allen Bradley Part Number	Type	Omron Part Number	Form	Function
871TM-DH4NP12-A2	Prox	E2E-X5MF1-N	Close	Direct
		E2E2-X5MB1	Close	Direct
871TM-DH4NP12-C2	Prox	E2E-X5MF1-N	Close	Direct
		E2E2-X5MB1	Close	Direct
871TM-DH4NP12-D4	Prox	E2E-X5MF1-M1-N	Close	Direct
		E2E2-X5MB1-M1	Close	Direct
871TM-DH4NP12-N4	Prox	E2E-X5MF1-M1-N	Alternate	Direct
		E2E2-X5MB1-M1	Alternate	Direct
871TM-DH5CE18-A2	Prox	E2E-X7D2-N-N	Close	Direct
		E2E2-X7D2	Close	Direct
871TM-DH5CE18-D4	Prox	E2E-X7D2-M1-N	Close	Direct
		E2E-X7D2-M1G-N	Close	Direct
871TM-DH5CE18-H2	Prox	E2E-X7D2-N-N	Close	Direct
		E2E2-X7D2	Close	Direct
871TM-DH5CE18-N4	Prox	E2E-X7D2-M1-N	Alternate	Direct
		E2E-X7D2-M1G-N	Alternate	Direct
871TM-DH5CN18-A2	Prox	E2E-X5E2-N	Close	Direct
		E2E2-X5C2	Close	Direct
871TM-DH5CN18-D4	Prox	E2E-X5E2-M1-N	Close	Direct
		E2E2-X5C2-M1	Close	Direct
871TM-DH5CN18-H2	Prox	E2E-X5E2-N	Close	Direct
		E2E2-X5C2	Close	Direct
871TM-DH5CN18-N4	Prox	E2E-X5E2-M1-N	Alternate	Direct
		E2E2-X5C2-M1	Alternate	Direct
871TM-DH5CP18-A2	Prox	E2E-X5F2-N	Close	Direct
		E2E2-X5B2	Close	Direct
871TM-DH5CP18-D4	Prox	E2E-X5F2-M1-N	Close	Direct
		E2E2-X5B2-M1	Close	Direct
871TM-DH5CP18-H2	Prox	E2E-X5F2-N	Close	Direct
		E2E2-X5B2	Close	Direct
871TM-DH5CP18-N4	Prox	E2E-X5F2-M1-N	Alternate	Direct
		E2E2-X5B2-M1	Alternate	Direct
871TM-DH5NE18-A2	Prox	E2E-X7D1-N-N	Close	Direct
		E2E2-X7D1	Close	Direct

Allen Bradley Part Number	Type	Omron Part Number	Form	Function
871TM-DH5NE18-D4	Prox	E2E-X7D1-M1-N	Close	Direct
		E2E-X7D1-M1G-N	Close	Direct
871TM-DH5NE18-H2	Prox	E2E-X7D1-N-N	Close	Direct
		E2E2-X7D1	Close	Direct
871TM-DH5NE18-N4	Prox	E2E-X7D1-M1-N	Alternate	Direct
		E2E-X7D1-M1G-N	Alternate	Direct
871TM-DH5NN18-A2	Prox	E2E-X5E1-N	Close	Direct
		E2E2-X5C1	Close	Direct
871TM-DH5NN18-D4	Prox	E2E-X5E1-M1-N	Close	Direct
		E2E2-X5C1-M1	Close	Direct
871TM-DH5NN18-H2	Prox	E2E-X5E1-N	Close	Direct
		E2E2-X5C1	Close	Direct
871TM-DH5NN18-N4	Prox	E2E-X5E1-M1-N	Alternate	Direct
		E2E2-X5C1-M1	Alternate	Direct
871TM-DH5NP18-A2	Prox	E2E-X5F1-N	Close	Direct
		E2E2-X5B1	Close	Direct
871TM-DH5NP18-D4	Prox	E2E-X5F1-M1-N	Close	Direct
		E2E2-X5B1-M1	Close	Direct
871TM-DH5NP18-H2	Prox	E2E-X5F1-N	Close	Direct
		E2E2-X5B1	Close	Direct
871TM-DH5NP18-N4	Prox	E2E-X5F1-M1-N	Alternate	Direct
		E2E2-X5B1-M1	Alternate	Direct
871TM-DH8CE18-A2	Prox	E2E-X14MD2-N	Close	Direct
		E2E2-X14MD2	Close	Direct
871TM-DH8CE18-D4	Prox	E2E-X14MD2-M1-N	Close	Direct
		E2E-X14MD2-M1G-N	Close	Direct
871TM-DH8CE18-H2	Prox	E2E-X14MD2-N	Close	Direct
		E2E2-X14MD2	Close	Direct
871TM-DH8CE18-N4	Prox	E2E-X14MD2-M1-N	Alternate	Direct
		E2E-X14MD2-M1G-N	Alternate	Direct
871TM-DH8CN18-A2	Prox	E2E-X10ME2-N	Close	Direct
		E2E2-X10MC2	Close	Direct
871TM-DH8CN18-D4	Prox	E2E-X10ME2-M1-N	Close	Direct
		E2E2-X10MC2-M1	Close	Direct

Allen Bradley Part Number	Type	Omron Part Number	Form	Function
871TM-DH8CN18-H2	Prox	E2E-X10ME2-N	Close	Direct
		E2E2-X10MC2	Close	Direct
871TM-DH8CN18-N4	Prox	E2E-X10ME2-M1-N	Alternate	Direct
		E2E2-X10MC2-M1	Alternate	Direct
871TM-DH8CP18-A2	Prox	E2E-X10MF2-N	Close	Direct
		E2E2-X10MB2	Close	Direct
871TM-DH8CP18-D4	Prox	E2E-X10MF2-M1-N	Close	Direct
		E2E2-X10MB2-M1	Close	Direct
871TM-DH8CP18-H2	Prox	E2E-X10MF2-N	Close	Direct
		E2E2-X10MB2	Close	Direct
871TM-DH8CP18-N4	Prox	E2E-X10MF2-M1-N	Alternate	Direct
		E2E2-X10MB2-M1	Alternate	Direct
871TM-DH8NE18-A2	Prox	E2E-X14MD1-N	Close	Direct
		E2E2-X14MD1	Close	Direct
871TM-DH8NE18-D4	Prox	E2E-X14MD1-M1-N	Close	Direct
		E2E-X14MD1-M1G-N	Close	Direct
871TM-DH8NE18-H2	Prox	E2E-X14MD1-N	Close	Direct
		E2E2-X14MD1	Close	Direct
871TM-DH8NE18-N4	Prox	E2E-X14MD1-M1-N	Alternate	Direct
		E2E-X14MD1-M1G-N	Alternate	Direct
871TM-DH8NN18-A2	Prox	E2E-X10ME1-N	Close	Direct
		E2E2-X10MC1	Close	Direct
871TM-DH8NN18-D4	Prox	E2E-X10ME1-M1-N	Close	Direct
		E2E2-X10MC1-M1	Close	Direct
871TM-DH8NN18-H2	Prox	E2E-X10ME1-N	Close	Direct
		E2E2-X10MC1	Close	Direct
871TM-DH8NN18-N4	Prox	E2E-X10ME1-M1-N	Alternate	Direct
		E2E2-X10MC1-M1	Alternate	Direct
871TM-DH8NP18-A2	Prox	E2E-X10MF1-N	Close	Direct
		E2E2-X10MB1	Close	Direct
871TM-DH8NP18-D4	Prox	E2E-X10MF1-M1-N	Close	Direct
		E2E2-X10MB1-M1	Close	Direct
871TM-DH8NP18-H2	Prox	E2E-X10MF1-N	Close	Direct
		E2E2-X10MB1	Close	Direct

Allen Bradley Part Number	Type	Omron Part Number	Form	Function
871TM-DH8NP18-N4	Prox	E2E-X10MF1-M1-N	Alternate	Direct
		E2E2-X10MB1-M1	Alternate	Direct
871TM-DN5NP18-A2	Prox	E2EY-X4C1	Alternate	Alternate
871TM-DN5NP18-D4	Prox	E2EY-X4C1	Alternate	Alternate
871TM-DN5NP18-H2	Prox	E2EY-X4C1	Alternate	Alternate
871TM-DN5NP18-N4	Prox	E2EY-X4C1	Alternate	Alternate
871U-V2A12	Prox	N/A		
871U-V2J12	Prox	N/A		
871U-V4B12	Prox	N/A		
871U-V4K12	Prox	N/A		
871U-V5A18	Prox	N/A		
871U-V5J18	Prox	N/A		
871U-V8B18	Prox	N/A		
871U-V8K18	Prox	N/A		
871U-W2A12	Prox	N/A		
871U-W2J12	Prox	N/A		
871U-W4B12	Prox	N/A		
871U-W4K12	Prox	N/A		
871U-W5A18	Prox	N/A		
871U-W5J18	Prox	N/A		
871U-W8B18	Prox	N/A		
871U-W8K18	Prox	N/A		
871U-X5A18	Prox	N/A		
871U-X5J18	Prox	N/A		
871U-X8B18	Prox	N/A		
871U-X8K18	Prox	N/A		
871Z-BW10C30-H2	Prox	TL-X10[]2-52	Close	Close
871Z-BW10C30-N3	Prox	TL-X10[]2-52	Close	Close
871Z-BW10C30-R3	Prox	TL-X10[]2-52	Close	Close
871Z-BW10N30-H2	Prox	TL-X10[]1-52	Close	Close
871Z-BW10N30-N3	Prox	TL-X10[]1-52	Close	Close
871Z-BW10N30-R3	Prox	TL-X10[]1-52	Close	Close
871Z-BW2C12-C2	Prox	N/A		
871Z-BW2C12-N3	Prox	N/A		
871Z-BW2C12-R3	Prox	N/A		

Allen Bradley Part Number	Type	Omron Part Number	Form	Function
871Z-BW2N12-C2	Prox	N/A		
871Z-BW2N12-N3	Prox	N/A		
871Z-BW2N12-R3	Prox	N/A		
871Z-BW5C18-H2	Prox	TL-X5[]2-52	Close	Close
871Z-BW5C18-N3	Prox	TL-X5[]2-52	Close	Close
871Z-BW5C18-R3	Prox	TL-X5[]2-52	Close	Close
871Z-BW5N18-H2	Prox	TL-X5[]1-52	Close	Close
871Z-BW5N18-N3	Prox	TL-X5[]1-52	Close	Close
871Z-BW5N18-R3	Prox	TL-X5[]1-52	Close	Close
872C-A10C18-A2	Prox	E2E2-X10MY2-US	Close	Direct
872C-A10C18-N3	Prox	E2E2-X10MY2-M4	Alternate	Direct
872C-A10C18-R3	Prox	E2E2-X10MY2-M4	Close	Direct
872C-A10C30-A2	Prox	E2E2-X10Y2-US	Close	Direct
872C-A10C30-N3	Prox	E2E2-X10Y2-M4	Alternate	Direct
872C-A10C30-R3	Prox	E2E2-X10Y2-M4	Close	Direct
872C-A10N18-A2	Prox	E2E2-X10MY1-US	Close	Direct
872C-A10N18-N3	Prox	E2E2-X10MY1-M4	Alternate	Direct
872C-A10N18-R3	Prox	E2E2-X10MY1-M4	Close	Direct
872C-A10N30-A2	Prox	E2E2-X10Y1-US	Close	Direct
872C-A10N30-N3	Prox	E2E2-X10Y1-M4	Alternate	Direct
872C-A10N30-R3	Prox	E2E2-X10Y1-M4	Close	Direct
872C-A15C30-A2	Prox	E2E2-X18MY2-US	Close	Direct
872C-A15C30-N3	Prox	E2E2-X18MY2-M4	Alternate	Direct
872C-A15C30-R3	Prox	E2E2-X18MY2-M4	Close	Direct
872C-A15N30-A2	Prox	E2E2-X18MY1-US	Close	Direct
872C-A15N30-N3	Prox	E2E2-X18MY1-M4	Alternate	Direct
872C-A15N30-R3	Prox	E2E2-X18MY1-M4	Close	Direct
872C-A2C12-A2	Prox	E2E2-X2Y2-US	Close	Direct
872C-A2C12-R3	Prox	E2E2-X2Y2-M4	Close	Direct
872C-A2N12-A2	Prox	E2E2-X2Y1-US	Close	Direct
872C-A2N12-R3	Prox	E2E2-X2Y1-M4	Close	Direct
872C-A4C12-A2	Prox	E2E2-X5MY2-US	Close	Direct
872C-A4C12-R3	Prox	E2E2-X5MY2-M4	Close	Direct
872C-A4N12-A2	Prox	E2E2-X5MY1-US	Close	Direct
872C-A4N12-R3	Prox	E2E2-X5MY1-M4	Close	Direct

Allen Bradley Part Number	Type	Omron Part Number	Form	Function
872C-A5C18-A2	Prox	E2E2-X5Y2-US	Close	Direct
872C-A5C18-N3	Prox	E2E2-X5Y2-M4	Alternate	Direct
872C-A5C18-R3	Prox	E2E2-X5Y2-M4	Close	Direct
872C-A5N18-A2	Prox	E2E2-X5Y1-US	Close	Direct
872C-A5N18-N3	Prox	E2E2-X5Y1-M4	Alternate	Direct
872C-A5N18-R3	Prox	E2E2-X5Y1-M4	Close	Direct
872C-D10CN30-N4	Prox	E2E2-X10C2-M1	Alternate	Direct
872C-D10CP30-N4	Prox	E2E2-X10B2-M1	Alternate	Direct
872C-D10NE30-A2	Prox	E2E-X10D1-N-N	Close	Direct
		E2E2-X10D1	Close	Direct
872C-D10NE30-D4	Prox	E2E-X10D1-M1-N	Close	Direct
872C-D10NN30-N4	Prox	E2E2-X10C1-M1	Alternate	Direct
872C-D10NP30-N4	Prox	E2E2-X10B1-M1	Alternate	Direct
872C-D15CN30-N4	Prox	E2E2-X18MC2-M1	Alternate	Direct
872C-D15CP30-N4	Prox	E2E2-X18MB2-M1	Alternate	Direct
872C-D15NE30-A2	Prox	E2E-X20MD1-N	Close	Direct
		E2E2-X20MD1	Close	Direct
872C-D15NE30-D4	Prox	E2E-X20MD1-M1-N	Close	Direct
872C-D15NN30-N4	Prox	E2E2-X18MC1-M1	Alternate	Direct
872C-D15NP30-N4	Prox	E2E2-X18MB1-M1	Alternate	Direct
872C-D2NE12-A2	Prox	E2E-X3D1-N-N	Close	Direct
		E2E2-X3D1	Close	Direct
872C-D2NE12-D4	Prox	E2E-X3D1-M1-N	Close	Direct
872C-D4NE12-A2	Prox	E2E-X8MD1-N	Close	Direct
		E2E2-X8MD1	Close	Direct
872C-D4NE12-D4	Prox	E2E-X8MD1-M1-N	Close	Direct
872C-D5CN18-N4	Prox	E2E2-X5C2-M1	Alternate	Direct
872C-D5CP18-N4	Prox	E2E2-X5B2-M1	Alternate	Direct
872C-D5NE18-A2	Prox	E2E-X7D1-N-N	Close	Direct
		E2E2-X7D1	Close	Direct
872C-D5NE18-D4	Prox	E2E-X7D1-M1-N	Close	Direct
872C-D5NN18-N4	Prox	E2E2-X5C1-M1	Alternate	Direct
872C-D5NP18-N4	Prox	E2E2-X5B1-M1	Alternate	Direct
872C-D8CN18-N4	Prox	E2E2-X10MC2-M1	Alternate	Direct
872C-D8CP18-N4	Prox	E2E2-X10MB2-M1	Alternate	Direct

Allen Bradley Part Number	Type	Omron Part Number	Form	Function
872C-D8NE18-A2	Prox	E2E-X14MD1-N	Close	Direct
		E2E2-X14MD1	Close	Direct
872C-D8NE18-D4	Prox	E2E-X14MD1-M1-N	Close	Direct
872C-D8NN18-N4	Prox	E2E2-X10MC1-M1	Alternate	Direct
872C-D8NP18-N4	Prox	E2E2-X10MB1-M1	Alternate	Direct
872C-DH10CN30-D4	Prox	E2E-X10E2-M1-N	Close	Direct
872C-DH10CN30-E2	Prox	E2E-X10E2-N	Close	Direct
872C-DH10CP30-D4	Prox	E2E-X10F2-M1-N	Close	Direct
872C-DH10CP30-E2	Prox	E2E-X10F2-N	Close	Direct
872C-DH10NN30-D4	Prox	E2E-X10E1-M1-N	Close	Direct
872C-DH10NN30-E2	Prox	E2E-X10E1-N	Close	Direct
872C-DH10NP30-D4	Prox	E2E-X10F1-M1-N	Close	Direct
872C-DH10NP30-E2	Prox	E2E-X10F1-N	Close	Direct
872C-DH15CN30-D4	Prox	E2E-X18ME2-M1-N	Close	Direct
872C-DH15CN30-E2	Prox	E2E-X18ME2-N	Close	Direct
872C-DH15CP30-D4	Prox	E2E-X18MF2-M1-N	Close	Direct
872C-DH15CP30-E2	Prox	E2E-X18MF2-N	Close	Direct
872C-DH15NN30-D4	Prox	E2E-X18ME1-M1-N	Close	Direct
872C-DH15NN30-E2	Prox	E2E-X18ME1-N	Close	Direct
872C-DH15NP30-D4	Prox	E2E-X18MF1-M1-N	Close	Direct
872C-DH15NP30-E2	Prox	E2E-X18MF1-N	Close	Direct
872C-DH2CN12-D4	Prox	E2E-X2E2-M1-N	Close	Direct
872C-DH2CN12-E2	Prox	E2E-X2E2-N	Close	Direct
872C-DH2CP12-D4	Prox	E2E-X2F2-M1-N	Close	Direct
872C-DH2CP12-E2	Prox	E2E-X2F2-N	Close	Direct
872C-DH2NN12-D4	Prox	E2E-X2E1-M1-N	Close	Direct
872C-DH2NN12-E2	Prox	E2E-X2E1-N	Close	Direct
872C-DH2NP12-D4	Prox	E2E-X2F1-M1-N	Close	Direct
872C-DH2NP12-E2	Prox	E2E-X2F1-N	Close	Direct
872C-DH4CN12-D4	Prox	E2E-X5ME2-M1-N	Close	Direct
872C-DH4CN12-E2	Prox	E2E-X5ME2-N	Close	Direct
872C-DH4CP12-D4	Prox	E2E-X5MF2-M1-N	Close	Direct
872C-DH4CP12-E2	Prox	E2E-X5MF2-N	Close	Direct
872C-DH4NN12-D4	Prox	E2E-X5ME1-M1-N	Close	Direct
872C-DH4NN12-E2	Prox	E2E-X5ME1-N	Close	Direct

Allen Bradley Part Number	Type	Omron Part Number	Form	Function
872C-DH4NP12-D4	Prox	E2E-X5MF1-M1-N	Close	Direct
872C-DH4NP12-E2	Prox	E2E-X5MF1-N	Close	Direct
872C-DH5CN18-D4	Prox	E2E-X5E2-M1-N	Close	Direct
872C-DH5CN18-E2	Prox	E2E-X5E2-N	Close	Direct
872C-DH5CP18-D4	Prox	E2E-X5F2-M1-N	Close	Direct
872C-DH5CP18-E2	Prox	E2E-X5F2-N	Close	Direct
872C-DH5NN18-D4	Prox	E2E-X5E1-M1-N	Close	Direct
872C-DH5NN18-E2	Prox	E2E-X5E1-N	Close	Direct
872C-DH5NP18-D4	Prox	E2E-X5F1-M1-N	Close	Direct
872C-DH5NP18-E2	Prox	E2E-X5F1-N	Close	Direct
872C-DH8CN18-D4	Prox	E2E-X10ME2-M1-N	Close	Direct
872C-DH8CN18-E2	Prox	E2E-X10ME2-N	Close	Direct
872C-DH8CP18-D4	Prox	E2E-X10MF2-M1-N	Close	Direct
872C-DH8CP18-E2	Prox	E2E-X10MF2-N	Close	Direct
872C-DH8NN18-D4	Prox	E2E-X10ME1-M1-N	Close	Direct
872C-DH8NN18-E2	Prox	E2E-X10ME1-N	Close	Direct
872C-DH8NP18-D4	Prox	E2E-X10MF1-M1-N	Close	Direct
872C-DH8NP18-E2	Prox	E2E-X10MF1-N	Close	Direct
99-108	Photo	E32-TC200F		
99-109	Photo	E32-DC200D	Direct	Direct
99-110	Photo	E32-DC200F	Direct	Direct
		E32-DC200F4	Alternate	Alternate
99-111	Photo	E32-DC200B	Direct	Direct
99-169	Photo	N/A		
99-191	Photo	N/A		
99-74	Photo	N/A		
99-75	Photo	N/A		
99-800	Photo	E32-DC_ _	Direct	Direct
99-801	Photo	E32-DC_ _	Direct	Direct
99-802	Photo	E32-D21L	Alternate	Alternate
99-803	Photo	E32-D21L	Alternate	Alternate
99-804	Photo	E32-CC200	Direct	Direct
99-805	Photo	E32-CC200	Direct	Direct
99-806	Photo	E32-D21	Direct	Direct
99-807	Photo	E32-D21	Direct	Direct

Allen Bradley Part Number	Type	Omron Part Number	Form	Function
99-808	Photo	E32-D21	Direct	Direct
99-809	Photo	E32-D21	Direct	Direct
99-810	Photo	E32-DC200B	Direct	Direct
		E32-DC200B4	Alternate	Alternate
99-811	Photo	E32-DC200B	Direct	Direct
		E32-DC200B4	Alternate	Alternate
99-812	Photo	E32-DC200F	Alternate	Alternate
99-813	Photo	E32-DC200F	Direct	Direct
		E32-DC200F4	Alternate	Alternate
99-814	Photo	E32-D32	Alternate	Alternate
99-815	Photo	E32-D33	Alternate	Alternate
99-816	Photo	E32-D33	Direct	Direct
		E32-DC200B	Alternate	Alternate
99-818	Photo	E32-DC200F	Alternate	Alternate
99-819	Photo	E32-T11	Direct	Direct
99-820	Photo	E32-T21	Alternate	Alternate
99-821	Photo	E32-T21	Alternate	Alternate
99-822	Photo	E32-T21	Alternate	Alternate
99-823	Photo	E32-TC200B	Direct	Direct
99-824	Photo	E32-TC200B	Direct	Direct
99-825	Photo	E32-TC200B	Alternate	Alternate
99-826	Photo	E32-TC200F	Alternate	Alternate
99-827	Photo	E32-T22	Direct	Direct
99-828	Photo	E32-TC_+_E39-F2	Alternate	Alternate
99-829	Photo	E32-T24	Direct	Direct
99-84	Photo	E32-DC9G	Direct	Direct
		E32-DC9G4	Alternate	Alternate
99-90	Photo	E32-TC_ _	Direct	Direct
99-91	Photo	E32-TC200C	Direct	Direct
99-92	Photo	E32-TC200B	Alternate	Alternate
99-93	Photo	E32-TC200F	Alternate	Alternate
99-94	Photo	E32-D11L	Direct	Direct
99-95	Photo	E32-DC200C	Direct	Direct
99-96	Photo	E32-DC200B	Direct	Direct
		E32-DC200B4	Alternate	Alternate

**Allen Bradley
Part Number**

Type

**Omron
Part Number**

Form

Function

99-97

Photo

E32-DC200D

Direct

Direct

E32-DC200D4

Alternate

Alternate

Allen Bradley
Part Number

Type

Omron
Part Number

Form

Function



<http://www.omron.com>

© 1998 OMRON ELECTRONICS, INC.

OMRON ELECTRONICS, INC.
Industrial Automation Systems Division
One East Commerce Drive
Schaumburg, IL 60173 USA

OMRON CANADA, INC.
885 Milner Avenue
Scarborough, Ontario M1B 5V8

SENLSW-AL XREF2 4/98/5M

For Distributor Locations or Product Information, Call:

AUTHORIZED DISTRIBUTOR:

800. 55. OMRON

UNI TED STATES	REGI ONAL	SALES OFFI CES
Northeast	Boston, MA	508.303.8880
East	Philadelphia, PA	610.524.1897
Southeast	Atlanta, GA	770.798.6780
Central	Cincinnati, OH	513.469.6766
Midwest	Chicago, IL	847.843.7910
Southwest	Dallas, TX	972.241.2597
West	Los Angeles, CA	714.621.3455

Ontario	Toronto	416.286.6465
	Kitchener	519.896.1144
	Kingston	613.376.3968
Quebec	Montreal	514.636.6676
	Ste-Foy	418.658.2735
British Columbia	Vancouver	604.522.8855
Alberta	Edmonton	403.440.0818
	Calgary	403.257.3095