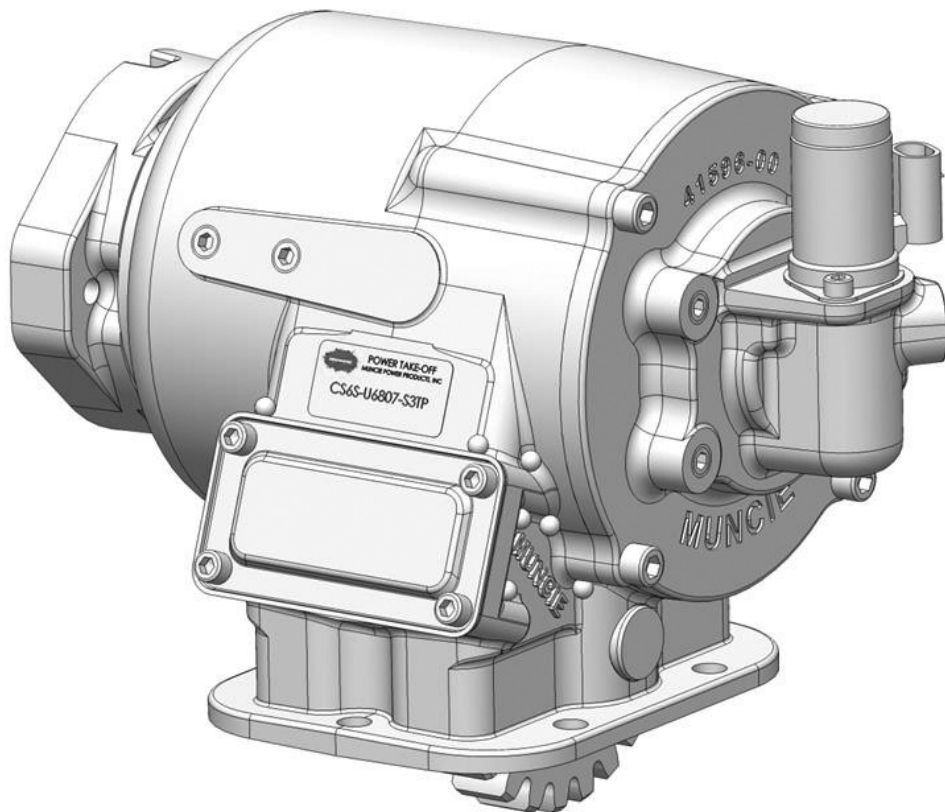




Muncie®
Power
Products

CS6, CS8 CB6 & CB8 SERIES CLUTCH SHIFT PTO

PARTS LIST AND SERVICE MANUAL



CS**/CB** Model Number Construction

CS 6S - U68 07 - S 3 T P

PTO Type

- CS - Clutch Shift (Std. Drag Brake)
- CB - Clutch Brake (Opt. Shaft Brake)

Mounting

- 6B - SAE 6-Bolt Std. Mntg. Metric
- 6C - SAE 6-Bolt Non-Std. Metric
- 6D - SAE 6-Bolt Non-Std. Mntg.
- 6F - SAE 6-Bolt Eaton Mntg.
- 6G - SAE 6-Bolt Low Profile Rear
- 6N - SAE 6-Bolt Non-Std. Mntg. Deep
- 6S - SAE 6-Bolt Std. Mntg.
- 8B - SAE 8-Bolt Std. Mntg. Metric
- 8C - SAE 8-Bolt Non-Std. Metric
- 8D - SAE 8-Bolt Non-Std. Mntg.
- 8G - SAE 8-Bolt Low Profile Rear
- 8M - SAE 8-Bolt Mntg. Deep
- 8S - SAE 8-Bolt Std. Mntg.

Transmission

- I84 - Aisin
- I85 - Jatco
- A67 - Allison
- C61/C70 - Clark/Fuller
- F10/F63/F66/F70/F84/F86 - Fuller
- M65 - Mack
- M83 - Mercedes
- S60/S70/S71 - Spicer
- S68/U60/U68 - Universal

Speed Ratio*

- 03 - 0.33:1
- 04 - 0.44:1
- 05 - 0.47:1
- 06 - 0.56:1
- 07 - 0.70:1
- 09 - 0.87:1
- 12 - 1.15:1
- 14 - 1.44:1 (8-Bolt Only)

Special Features

- X - None
- C - Pulse Gen/Press Lube/SPD-1001
- D - Pulse Gen/SPD-1001
- H - Hino (ALLI-13)
- P - Pressure Lube
- R - Pulse Gen/No Press Lube
- S - Pulse Gen/Press Lube

Output Type

- B - 1¼" Rd; 5/16" KW
- C - 1410 Companion Flange
- D - 36mm - 8T (DIN 5462)
- E - SAE "C" 2- & 4-Bolt; 1.25" - 14T
- I - 36mm - 8T (DIN 5462) (Euro)
- K - SAE "B" 2- & 4-Bolt; 7/8" - 13T
- L - Special Flange, 1"-15T w/Low Box
- P - SAE "B-B" 2- & 4-Bolt; 1.0" - 15T
- Q - SAE "A" 2- Bolt; 7/8" - 13T
- R - SAE "A" 2- Bolt; 5/8" - 9T
- S - SAE "B" 2- Bolt; 7/8" - 13T
- T - SAE "A" 2- Bolt; 3/4" - 11T
- Z - SAE "B" 2- & 4-Bolt; 1.25" - 14T
- 2 - DIN 100 Companion Flange
- 6 - SAE "B" 2-Bolt; 7/8" - 13T
- 7 - SAE "B-B" 2-Bolt; 1.0"-15T

Assembly Arrangement

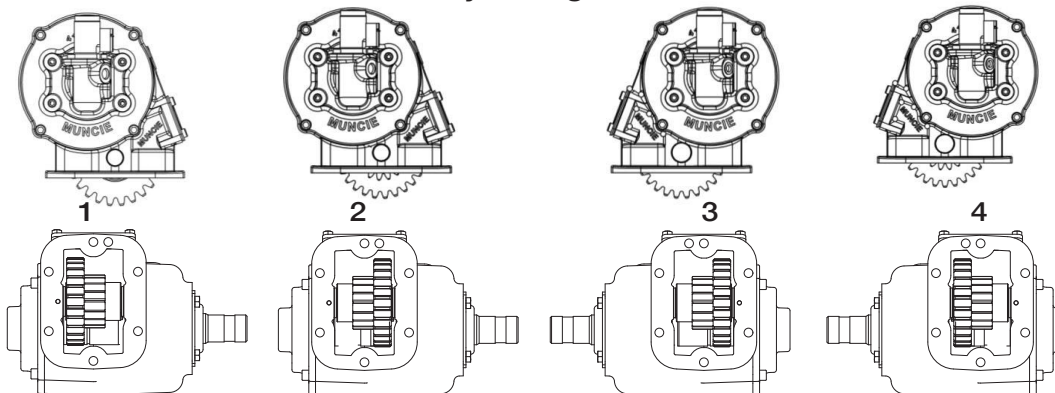
- 1, 2, 3 or 4 (See Assemblies Below)

Shifter Type

- A - Manual Air (12V)
- B - 12V Elec/Hyd. Ram
- D - 12V Elec/Hyd. 2013 Ram
- E - 12V Electric/Air
- F - 24V Electric/Air
- G - 12V Elec/Hyd. Ram (2014+Gas or Diesel Integral Sol.) (I84 Only)
- H - 12V Electric/Hyd.
- K - Manual Air (24V)
- J - 24V Electric/Hyd.
- N - 12V Elec/Hyd.** (1 Arr. PTO, Left Side; 3 Arr. PTO, Right Side Integral Sol.) (A67/I84 Only)
- P - Air w/o Activation Components
- Q - 12V Elec/Hyd. Ram** (2013 Integral Sol.) (I84 Only)
- R - 24V Electric/Hyd.** (Integral Sol.) (A67/I84 Only)
- S - 12V Electric/Hyd.** (Integral Sol.) (A67/I84 Only)
- U - Hyd. Shift** w/o Activation Comp. (Integral Sol.)
- 2 - 12V Elec/Hyd GM 4500-6500 (2019 & Later) & International CV

Note: **Integral Solenoid Shift CS6 Only

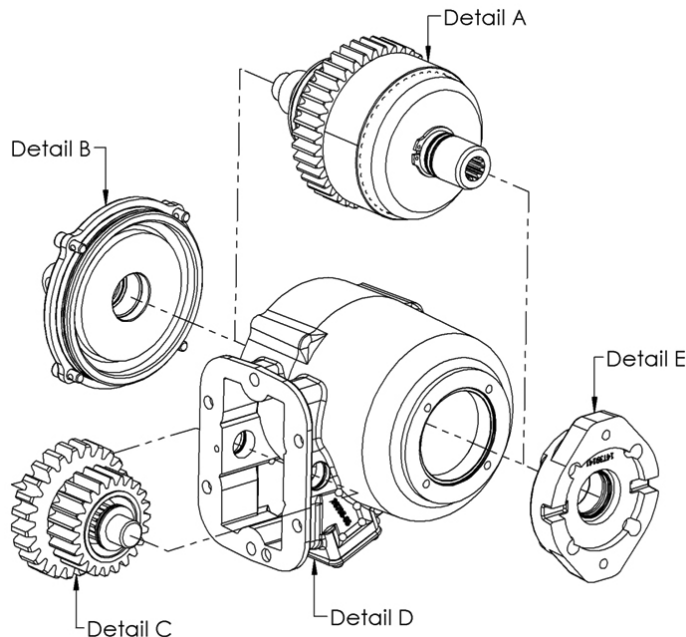
Assembly Arrangements



*Not all combinations are available for input gear options; refer to the application catalog or service parts list.

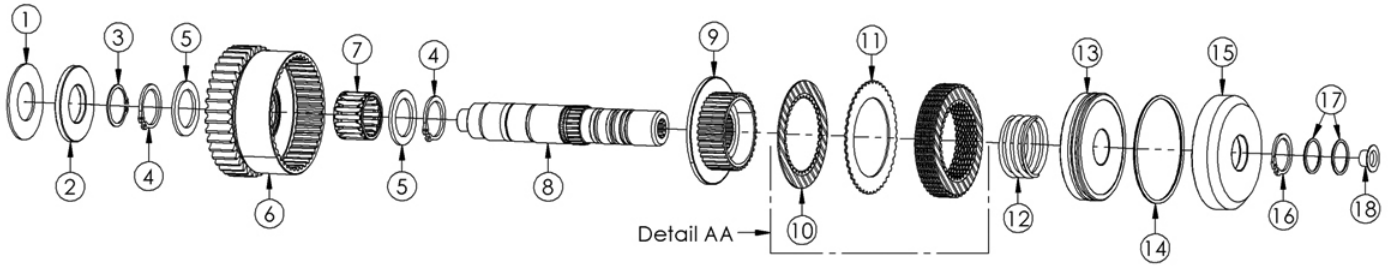
Table of Contents

Model Number Construction	2
Exploded Views	3-10
Output Shaft Exploded View (Detail A)	3-5
End cover Exploded View (Detail B).....	6
Input Gear Exploded View (Detail C).....	7
PTO Housing Exploded View (Detail D)	8
Output Option Exploded View (Detail E)	9-10
Installation Kits	11-17
Manual Air Shift.....	11
Electric/Air.....	12
Electric/Air with System Protection	13
Electric/Hydraulic.....	14
Electric/Hydraulic with System Protection.....	15
Electric/Hydraulic (Integral Solenoid Feature).....	16
Electric/Hydraulic with System Protection (Integral Solenoid Feature)	17
Electric/Hydraulic Shift System	18
Feature Codes “H” and Mounting Kits (6- and 8-Bolt).....	19
Accessory Kits.....	20
CS Low-Box and CSGB Low-Box	21
Dimensions.....	22-23
Output Options.....	24-25
Gasket Kits/Rebuild Kits	26-29



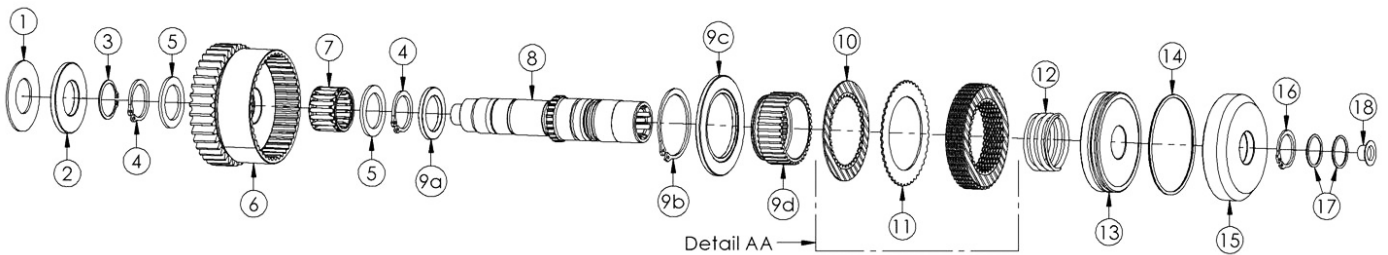
Detail A – Output Shaft Assemblies

Standard Output Shaft Assembly

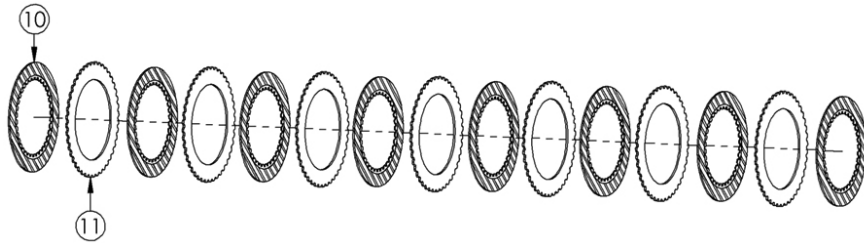


Note: A 2 & 4 assembly CS6/8 PTO with a speed ratio ranging from 05-09 uses a larger output gear and will require an additional roller bearing (item 7a) to be paired with the roller bearing (item 7) above.

“I”, “D” & “Z” Output Shaft Assembly

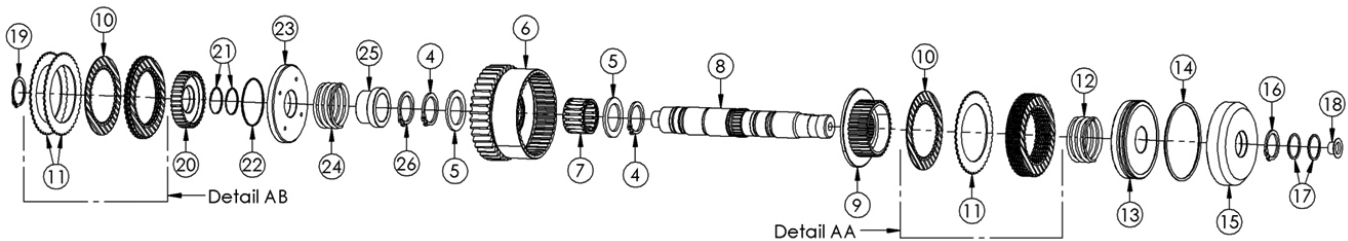


Detail AA – Standard Clutch Pack – Disc Locations*

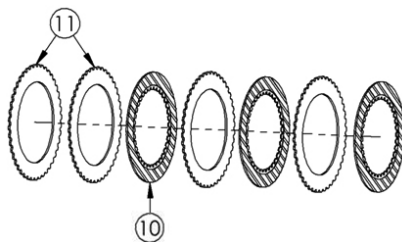


*The standard clutch pack assembly contains a single stator plate stacked between each friction disc. The assembly should begin and end with a friction disc.

Hi-Torque Brake Output Shaft Assembly (CB only)



Detail AB – Hi-Torque Brake Clutch Pack – Disc Locations*



*The Hi-torque clutch pack assembly contains a single stator plate stacked between each friction disc. The assembly should begin with two (2) stator plates and end with a friction disc.

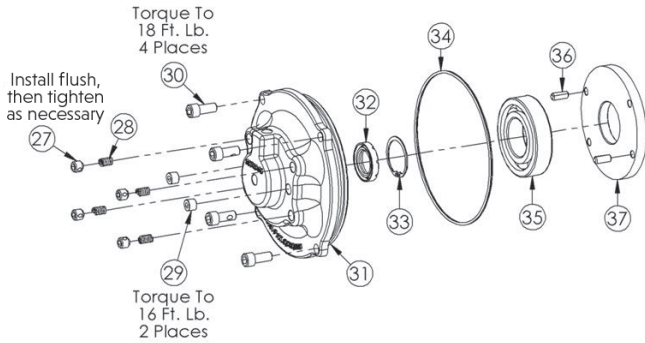
ITEM	QTY.	PART NO.	DESCRIPTION	ITEM	QTY.	PART NO.	DESCRIPTION
1	1	21T36511	Washer	14	1	12T36054	O-Ring (CS8)
2	1	21T36512	Plate		1	12T36472	O-Ring (CS6)
3	1	24T27240	Snap Ring	15	1	49T36561	Piston Cup (5.25" O.D.) (CS8)
4	2	24T35480	Snap Ring		1	49T36464	Piston Cup (4.50" O.D.) (CS6)
5	2	21T29017	Thrust Washer		1	49T36115	Piston Cup (5.25" O.D.) (I, D, E, Z)
6	1	See Table A	Bell Gear		1	49T38757	Piston Cup (5.25" O.D.) (2 & 4 Arr.)
7	1	10T36285	Needle Roller Bearing	16	1	24T36470	Snap Ring Std. Output
7A	1	10T37008	Needle Roller Bearing		1	24T36040	Snap Ring (I, D, E, Z Output)
8	1	See Detail E	Output Shaft	17	2	12T36471	O-Ring Std. Output
9	1	02T38792	Clutch Hub		2	12T36053	O-Ring (I, D, E, Z Output)
9a	1	21T38907	Washer	18	1	25T35520	Cap Plug ("R")
9b	1	24T37951	Snap Ring		1	25T35724	Cap Plug ("G", "K", "Q", "S", & "6")
9c	1	49T38818	Flange		1	25T35725	Cap Plug ("P")
9d	1	49T38819	Clutch Hub		1	25T37767	Cap Plug ("I" & "D")
10	8	49T33564	Friction Disc (CS)		1	25T35936	Cap Plug ("Z")
	3	49T33564	Friction Disc (CB)		1	25T37387	Cap Plug ("T")
11	7	49T33563	Spacer Disc (CS)	19	1	24T24315	Snap Ring
	4	49T33563	Spacer Disc (CB)	20	1	28T39964	Brake Hub
12	1	27T36112	Spring	21	2	12T35343	O-Ring
13	1	49T36560	Piston (CS8)	22	1	12T39967	O-Ring
	1	49T38878	Piston (CS6)	23	1	28T39963	Piston
	1	49T42027	Piston (I, D, E, Z)	24	1	27T40389	Spring
	1	49T38758	Piston (2 & 4 Arr.)	25	1	28T40390	Spacer
				26	1	24T35480	Snap Ring

TABLE A – BELL GEAR (ITEM 6)

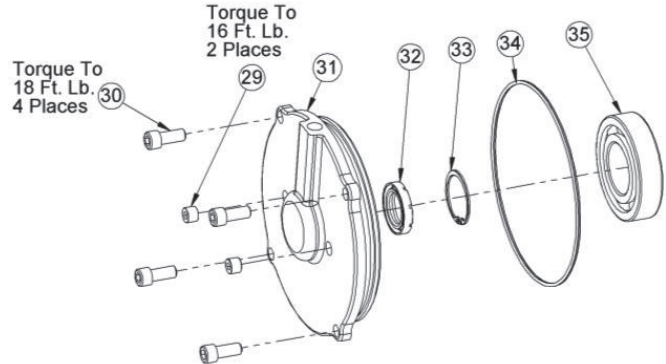
PART NO.	RATIO/TEETH	PART NO.	RATIO/TEETH
02T36744	03 Ratio (42T)	02T37913	06 Ratio (36T)
02T38988	03 Ratio (42T) "I" & "Z" Output	02T38991	06 Ratio (36T) "I" & "Z" Output
02T41324	03 Ratio (42T) A67	02T38764	06 Ratio (36T) 2 & 4 Assy.
02T41327	03 Ratio (42T) A67 "I" & "Z" Output	02T38765	07 Ratio (33T) 2 & 4 Assy.
02T36745	04 Ratio (39T)	02T42441	07 Ratio (33T) A67
02T38989	04 Ratio (39T) "I" & "Z" Output	02T36747	07 Ratio (33T)
02T41325	04 Ratio (39T) A67	02T38817	07 Ratio (33T) "I" & "Z" Output
02T41328	04 Ratio (39T) A67 "I" & "Z" Output	02T38766	09 Ratio (30T) 2 & 4 Assy.
02T38763	05 Ratio (38T) 2 & 4 Assy.	02T38992	09 Ratio (30T) "I" & "Z" Output
02T36746	05 Ratio (38T)	02T36748	09 Ratio (30T)
02T38990	05 Ratio (38T) "I" & "Z" Output	02T36749	12 Ratio (26T)
02T41326	05 Ratio (38T) A67	02T38994	12 Ratio (26T) "I" & "Z" Output
02T41329	05 Ratio (38T) A67 "I" & "Z" Output	02T36750	14 Ratio (23T)
		02T38995	14 Ratio (23T) "I" & "Z" Output

Detail B – End Cover Assemblies

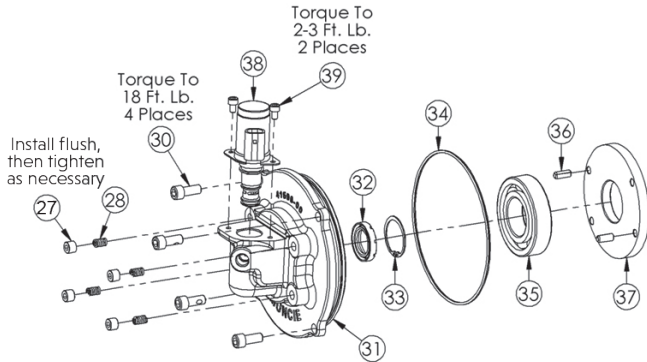
Standard End Cover Assembly (CS6S, CS6B, CS6N, CS8S & CS8B)



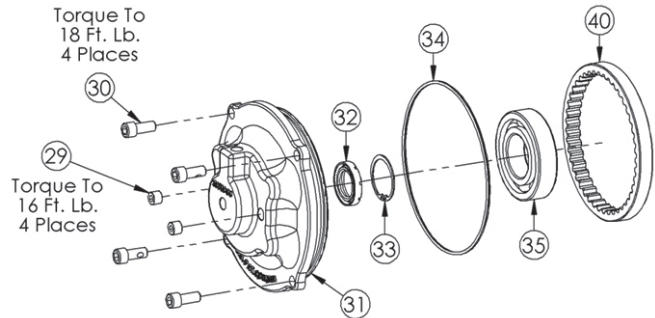
Low Profile End Cover Assembly (CS6G & CS8G)



Drop-In Solenoid End Cover Assembly (CS6S, CS6B, CS6N, CS8S & CS8B) (Elec/Hydraulic Shift Only)



Hi-Torque Brake End Cover Assembly (CB6* & CB8*) (Output Option "B", "K", "P" Only)

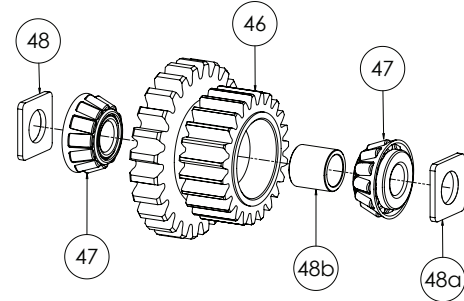
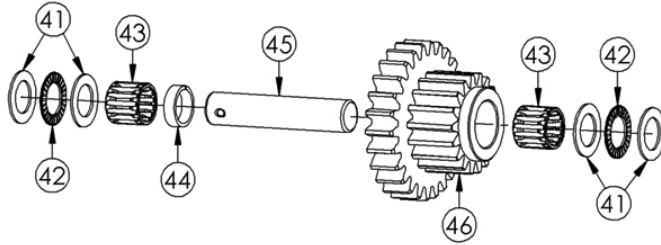


ITEM	QTY.	PART NO.	DESCRIPTION
27	4	19T36174	Setscrew
	4	19T41969	Setscrew (Drop-In)
28	4	27T36173	Spring
29	2	25T21684	Pipe Plug
30	4	19T35237	Capscrew
31	1	15T36717	St. Closed Cover
	1	15T36860	Closed Cover (CS6G)
	1	15T39966	Closed Cover (CB*)
	1	15T41597	Closed Cover (w/ Drop-In Solenoid)
32	1	11T36124	Seal
33	1	24T36894	Snap Ring
34	1	12T34003	O-Ring
35	1	10T21017	Bearing
	1	10T38248	Bearing
36	4	26T36175	Roll Pin
37	1	21T36473	Plate
38	1	35T40860	Solenoid
39	2	19T40859	Capscrew
40	1	28T39965	Brake Ring

Detail C – Input Gear Assemblies

Standard for Ratios 03 & 04
(1 & 3 Assembly Arrangement Only)
Standard for Input Gear A6705
(Built after 06/2007)

Standard for Ratios 05, 06, 07, 09, 12 & 14
(1 & 3 Assy Arrangement Only)
Standard for Ratios 05, 06, 07 & 09
(2 & 4 Assy Arrangement Only)
(Standard for Input Gear A6805
Built before 06/2007 – See note **)



ITEM	QTY.	PART NO.	DESCRIPTION	ITEM	QTY.	PART NO.	DESCRIPTION
41	4	21T34621	Thrust Race	46	1	See Table B	Input Gear
42	2	10T34620	Thrust Bearing	47	2	10T35776	Tapered Roller Bearings
43	2	10T34006	Needle Roller Bearing	48	1	18T41452	Input Bearing Shim
44	1	18T34622	Spacer	48a	1	See Table C.1	Input Bearing Shims
45	1	07T35947	Idler Shaft (03/04 Ratio, A6705)	48b	1	See Table C.2	Input Cone Spacer
	1	07T37071	Idler Shaft8 (05-14 Ratios)				

TABLE B – INPUT GEAR (ITEM 46)

DESIGNATOR	PART NO.	TEETH	GEAR DATA	DESIGNATOR	PART NO.	TEETH	GEAR DATA
A6703	03T41318	26/14	6.86P 20° PA Spur	M6504	03T36775	26/17	6.48P 17.65° PA Spur
A6704	03T41319	26/17	6.86P 20° PA Spur	M6505	03T37070	26/18	6.48P 17.65° PA Spur
A6705**	03T41320	26/18	6.86P 20° PA Spur	M6507	03T37058	26/23	6.48P 17.65° PA Spur
A6707*	03T42442	30/23	6.86P 20° PA Spur	M6509	03T37059	26/26	6.48P 17.65° PA Spur
C6112	03T37067	20/30	6.1P 25° PA 32.28° LH	M6512	03T37060	26/30	6.48° P 17.66° PA Spur
C7012	03T37068	23/30	7P 25° PA 30.78° LH	M8307	03T38761	30/23	8.38P 19.16° PA 24° 58' LH (2 & 4 Assy.)
F1012	03T37984	42/30	10.1P 20° PA Spur	M8309	03T38762	30/26	8.38P 19.16° PA 24° 58' LH (2 & 4 Assy.)
F6307	03T37086	24/23	6.35P 20° PA 22° LH	S6007	03T37061	21/23	6P 17.5° PA 26.17° LH
F6309	03T38356	24/26	6.35P 20° PA 22° LH	S6807	03T37062	26/23	6/8P 20° PA Spur
F6607	03T38502	24/23	6.65P 20° PA 21.5° LH	S6809	03T37063	26/26	6/8P 20° PA Spur
F6609	03T38503	24/26	6.65P 20° PA 21.5° LH	S6812	03T37064	26/30	6/8P 20° PA Spur
F6612	03T38504	24/30	6.65P 20° PA 21.5° LH	S7009	03T37065	24/26	7P 17.5° PA 28.07° LH
F7007	03T38194	26/23	7P 23° PA 26 LH	S7107	03T37149	29/23	7P 17.5° PA 18° LH
F7009	03T40234	26/26	7P 23° PA 26 LH	U6003	03T36737	24/14	6P 20° PA Spur
F8405	03T37741	28/18	8.38P 18° PA 33.1 LH	U6004	03T36738	24/17	6P 20° PA Spur
F8409	03T37743	28/26	8.38P 18° PA 33.1 LH	U6005	03T37069	24/18	6P 20° PA Spur
F8607	03T39447	28/23	8.38P 18° PA 33.1 RH	U6806	03T38262	24/20	6/8P 20° PA Spur
I8403	03T43310	34/14	8.46P 20° PA 29 LH	U6807	03T37038	24/23	6/8P 20° PA Spur
I8404	03T43311	34/17	8.46P 20° PA 29 LH	U6809	03T37039	24/26	6/8P 20° PA Spur
I8405	03T43312	34/18	8.46P 20° PA 29 LH	U6809	03T38801	24/26	6/8P 20° PA Spur (2 & 4 Assy.)
I8407	03T43313	34/23	8.46P 20° PA 29 LH	U6812	03T37040	24/30	6/8P 20° PA Spur
I8505	03T37091	38/18	8.46P 20° PA 29 LH	U6814 (8-Bit)	03T37042	24/33	6/8P 20° PA Spur

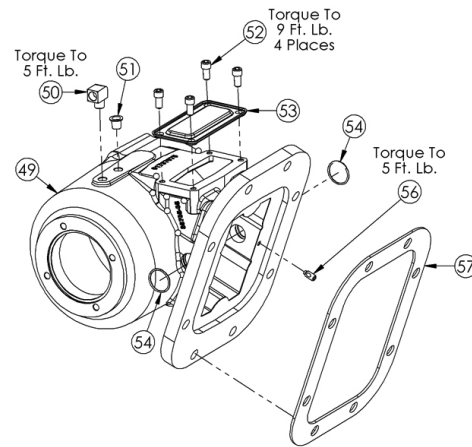
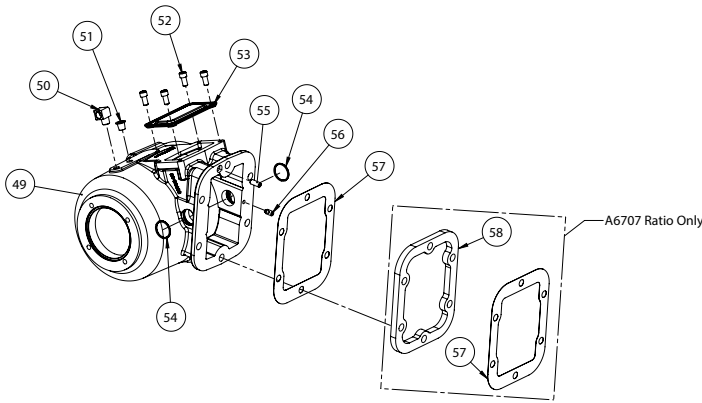
*Requires 23M60350 and 20TK6390 to mount.

**Produced after 06/07; uses needle bearings and requires a 03-04 ratio housing. An A67 input gear replaces an A68 input gear.

Detail D – PTO Housing Assemblies

6-Bolt Housing

8-Bolt Housing



ITEM	QTY.	PART NO.	DESCRIPTION	ITEM	QTY.	PART NO.	DESCRIPTION
49	1	See Table D	PTO Housing	55	2	26T37992	Dowel Pin (F84 Only)
50	1	43T37385	Orifice Fitting (P - Special Feature)	56	1	19T35785	Set Screw
51	1	25T36570	Cap Plug	57	1	See Table E	Gasket
52	1	19T41118	Capscrew	*58	1	23M60350X	Spacer
53	4	16T41119	Cover	*A6707 Ratio Only			
54	2	12T35949	O-Ring				
	2	12T35774	O-Ring				

TABLE C.1 – BEARING SHIMS (ITEM 48a)

PART NO.	DESCRIPTION	DIMENSION	PART NO.	DESCRIPTION	DIMENSION
18TK5233	Service Part Kit	All Bearings	18T41451	Bearing Shim	(.1500"/.1480")
18T41437	Bearing Shim	(.1150"/.1130")	18T41438	Bearing Shim	(.1175"/.1155")
18T41439	Bearing Shim	(.1200"/.1180")	18T41440	Bearing Shim	(.1225"/.1205")
18T41441	Bearing Shim	(.1250"/.1230")	18T41442	Bearing Shim	(.1275"/.1255")
18T41443	Bearing Shim	(.1300"/.1280")	18T41444	Bearing Shim	(.1325"/.1305")
18T41445	Bearing Shim	(.1350"/.1330")	18T41446	Bearing Shim	(.1375"/.1355")
18T41447	Bearing Shim	(.1400"/.1380")	18T41448	Bearing Shim	(.1425"/.1405")
18T41449	Bearing Shim	(.1450"/.1430")	18T41450	Bearing Shim	(.1475"/.1455")

TABLE C.2 – PAGE 8 CONE SPACER (ITEM 48b)

PART NO.	DESCRIPTION	DIMENSION	PART NO.	DESCRIPTION	DIMENSION
18T38635	Spacer, Bearing	(0.998" / 0.996")	18T38642	Spacer, Bearing	(0.977"/0.975")
18T38636	Spacer, Bearing	(0.995" / 0.993")	18T38643	Spacer, Bearing	(0.974"/0.972")
18T38637	Spacer, Bearing	(0.992" / 0.990")	18T38644	Spacer, Bearing	(0.971"/0.969")
18T38638	Spacer, Bearing	(0.989" / 0.987")	18T38645	Spacer, Bearing	(0.968"/0.966")
18T38639	Spacer, Bearing	(0.986" / 0.984")	18T38646	Spacer, Bearing	(0.965"/0.963")
18T38640	Spacer, Bearing	(0.983" / 0.981")	18T38647	Spacer, Bearing	(0.962"/0.960")
18T38641	Spacer, Bearing	(0.980" / 0.978")	18T38648	Spacer, Bearing	(0.959"/0.957")
			18T38649	Spacer, Bearing	(0.956"/0.954")

TABLE D – PTO HOUSING (ITEM 49)

PART NO.	DESCRIPTION	PART NO.	DESCRIPTION
01T36713	6-Bolt Housing (03-04) "1" Std. & "1" with A6705	01T36706	6-Bolt Housing (03-04) "3" Std. & "3" with A6705
01T42111*	6-Bolt Housing (05-14) "1" & "2" Std.	01T42110*	6-Bolt Housing (05-14) "3" & "4" Std.
01T42884*	6-Bolt Housing (05-14) "1" N - Mounting	01T42883*	6-Bolt Housing (05-14) "3" N - Mounting
01T42184*	6-Bolt Housing (05-14) "1" F - Mounting	01T42185*	6-Bolt Housing (05-14) "3" F - Mounting
01T39816	6-Bolt Housing (03-04) "1" (I, D or Z) & "1" w/ A6705 (I, D or Z)	01T39817	6-Bolt Housing (03-04) "3" (I, D or Z) & "3" w/ A6705 (I, D or Z)
01T42181*	6-Bolt Housing (05-14) "1" (I, D or Z)	01T42180*	6-Bolt Housing (05-14) "3" (I, D or Z)
01T36715	8-Bolt Housing (03-04) "1" Std.	01T36711	8-Bolt Housing (03-04) "3" Std.
01T42182*	8-Bolt Housing (05-14) "1" & "2" Std.	01T42183*	8-Bolt Housing (05-14) "3" & "4" Std.
01T42187*	8-Bolt Housing (05-14) "1" (I, D or Z)	01T42186*	8-Bolt Housing (05-14) "3" (I, D or Z)
01T42188*	8-Bolt Housing (05-14) "1" (E)	01T42189*	8-Bolt Housing (05-14) "3" (E)

*These housings use square thrust washers on both sides of input gear

Detail D – PTO Housing Assemblies (continued)

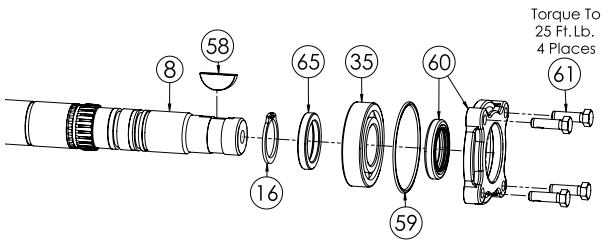
TABLE E – GASKETS (ITEM 57)

PART NO.	QTY.	DESCRIPTION	PART NO.	QTY.	DESCRIPTION
13M13541	1	Allison Gasket 0.031 (U60)	13M35151	2	Gasket 0.010 (8-Bolt)
13M35092	1	Gasket 0.020 (6-Bolt)	13M35198	1	Gasket 0.010 (I85)
13M35152	2	Gasket 0.020 (8-Bolt)	13T63159	1	*Gasket 0.010 (6-Bolt)
13M35199	1	Gasket 0.020 (I85)	13T63988	1	*Gasket 0.020 (6-Bolt)
13M35091	1	Gasket 0.010 (6-Bolt)	13T63989	1	*Gasket 0.030 (6-Bolt)

*Metal Core Gaskets

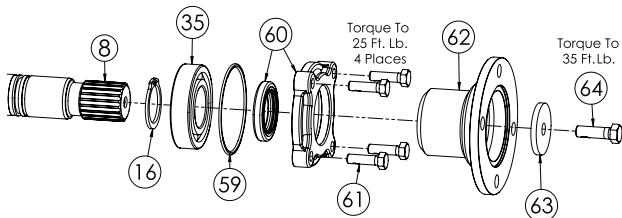
Detail E – Output Options

“B” Output



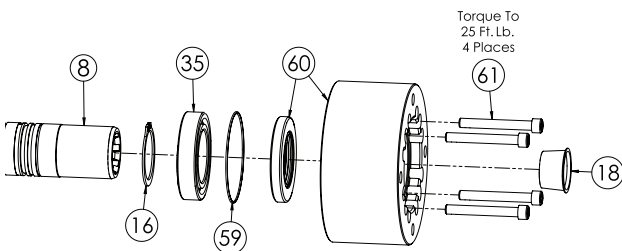
ITEM	QTY.	PART NO.	DESCRIPTION
8	1	06T36892	Output Shaft “B” – 1.3” Rd. Keyed; CS6/8S
	1	06T37167	Output Shaft “B” – 1.3” Rd. Keyed; CS6/8G
	1	06T38767	Output Shaft “B” – 1.3” Rd. Keyed; 2 & 4 Assy.
	1	06T39874	Output Shaft “B” – (CB6/8)
16	1	24T36470	Snap Ring
35	1	10T21017	Bearing
58	1	26T01627	Woodruff Key
59	1	12T36751	O-Ring
60	1	15TA5220	Flange/Seal Assembly
61	4	19T41756	Cap screw
65	1	28T62371	Spacer, Bearing

“C” & “2” Output Option



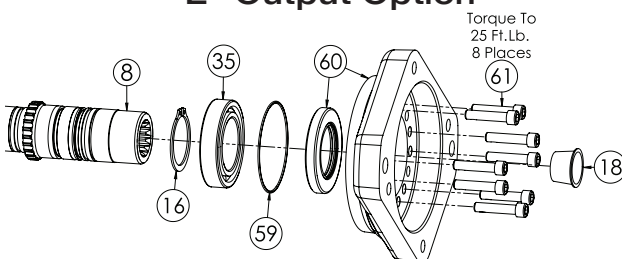
ITEM	QTY.	PART NO.	DESCRIPTION
8	1	06T37372	Output Shaft “2”, “C”, & “X” 1.3”-20T
16	1	24T36470	Snap Ring
35	1	10T21017	Bearing
59	1	12T36751	O-Ring
60	1	15TA5220	Flange/Seal Assembly
61	4	19T41756	Cap screw
62	1	14T37357	Companion Flange “C”
	1	14T37378	Companion Flange “2”
63	1	21T20092	Flat Washer
64	1	19T38266	Cap screw

“D” & “I” Output Option “I” Output Shown



ITEM	QTY.	PART NO.	DESCRIPTION
8	1	06T41013	Output Shaft “D” DIN 5462 (Euro)
	1	06T38996	Output Shaft “I” DIN 5462
	1	06T39526	Output Shaft “I” DIN 5462 (CS6/8G)
16	1	24T38347	Snap Ring
	1	28T39404	Spacer (“I” CS6G Only)
18	1	25T35936	Cap Plug
35	1	10T38248	Bearing
59	1	12T38344	O-Ring
60	1	14TA4824	Flange/Seal (“I”)
	1	14TA4817	Flange/Seal (“D” & “I” CS6G)
61	4	19T96512	Cap screw (“I” Output)
	4	19M84478	Cap screw (“D” & “I” CS6G)

“E” Output Option

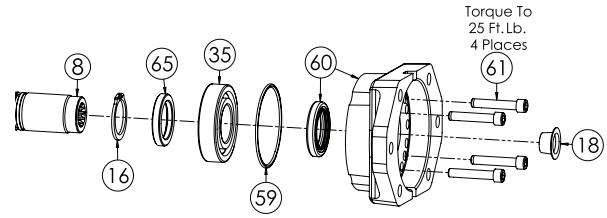


ITEM	QTY.	PART NO.	DESCRIPTION
8	1	06T40205	Output Shaft “E” 1.25” 14T
16	1	24T38347	Snap Ring
18	1	25T35936	Cap Plug
35	1	10T38248	Bearing
59	1	12T38344	O-Ring
60	1	14TA5380	Flange/Seal Assembly
61	8	19M84478	Cap screw

Detail E – Output Options (continued)

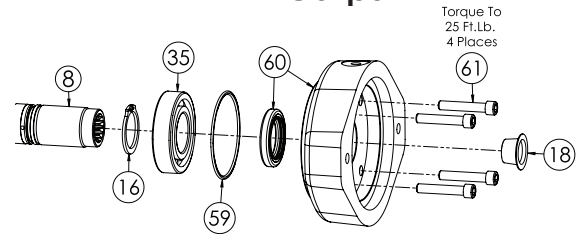
ITEM	QTY.	PART NO.	DESCRIPTION
8	1	06T36893	Output Shaft "K"
	1	06T37089	Output Shaft "P"
16	1	24T36470	Snap Ring
18	1	25T35724	Cap Plug "K"
	1	25T35725	Cap Plug "P"
35	1	10T21017	Bearing
59	1	12T36751	O-Ring
60	1	14TA3996	Flange/Seal Assembly
61	4	19T34462	Capscrew
65	1	28T62371	Spacer, Bearing

"K" & "P"



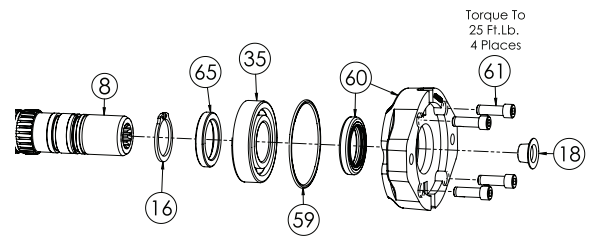
ITEM	QTY.	PART NO.	DESCRIPTION
8	1	06T37089	Output Shaft "L"
16	1	24T36470	Snap Ring
18	1	25T35725	Cap Plug
35	1	10T21017	Bearing
59	1	12T36751	O-Ring
60	1	14TA5236	Flange/Seal Assembly
61	4	19T34462	Capscrew

"L" Output



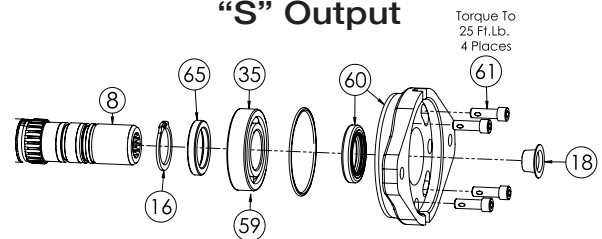
ITEM	QTY.	PART NO.	DESCRIPTION
8	1	06T38964	Output Shaft "R"
	1	06T37090	Output Shaft "Q"
	1	06T37336	Output Shaft "T"
16	1	24T36470	Snap Ring
18	1	25T35725	Cap Plug
35	1	10T21017	Bearing
59	1	12T36751	O-Ring
60	1	14TA3997	Flange/Seal Assembly
61	4	19T39257	Capscrew
65	1	28T62371	Spacer, Bearing

"R" "Q" & "T" Output



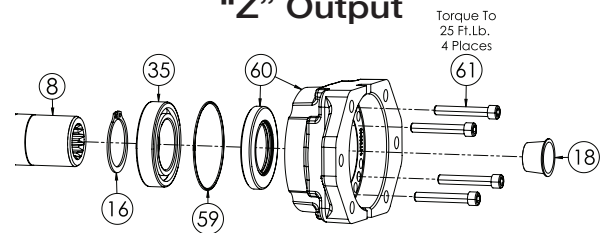
ITEM	QTY.	PART NO.	DESCRIPTION
8	1	06T37090	Output Shaft "S"
16	1	24T36470	Snap Ring
18	1	25T37387	Cap Plug
35	1	10T21017	Bearing
59	1	12T36751	O-Ring
60	1	14TA3999	Flange/Seal Assembly
61	4	19T39257	Capscrew
65	1	28T62371	Spacer, Bearing

"S" Output



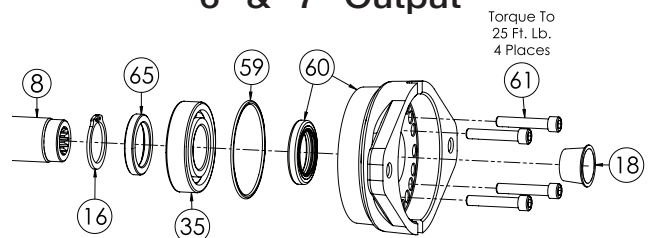
ITEM	QTY.	PART NO.	DESCRIPTION
8	1	06T38908	Output Shaft "Z"
16	1	24T38347	Snap Ring
18	1	25T35936	Cap Plug
35	1	10T38248	Bearing
59	1	12T38344	O-Ring
60	1	14TA4818	Flange/Seal Assembly
61	4	19T38249	Capscrew

"Z" Output



ITEM	QTY.	PART NO.	DESCRIPTION
8	1	06T36893	Output Shaft "6"
	1	06T37089	Output Shaft "7"
16	1	24T36470	Snap Ring
18	1	25T35936	Cap Plug
35	1	10T21017	Bearing
59	1	12T36751	O-Ring
60	1	14TA4819	Flange/Seal Assembly
61	4	19T34462	Capscrew
65	1	28T62371	Spacer, Bearing

"6" & "7" Output

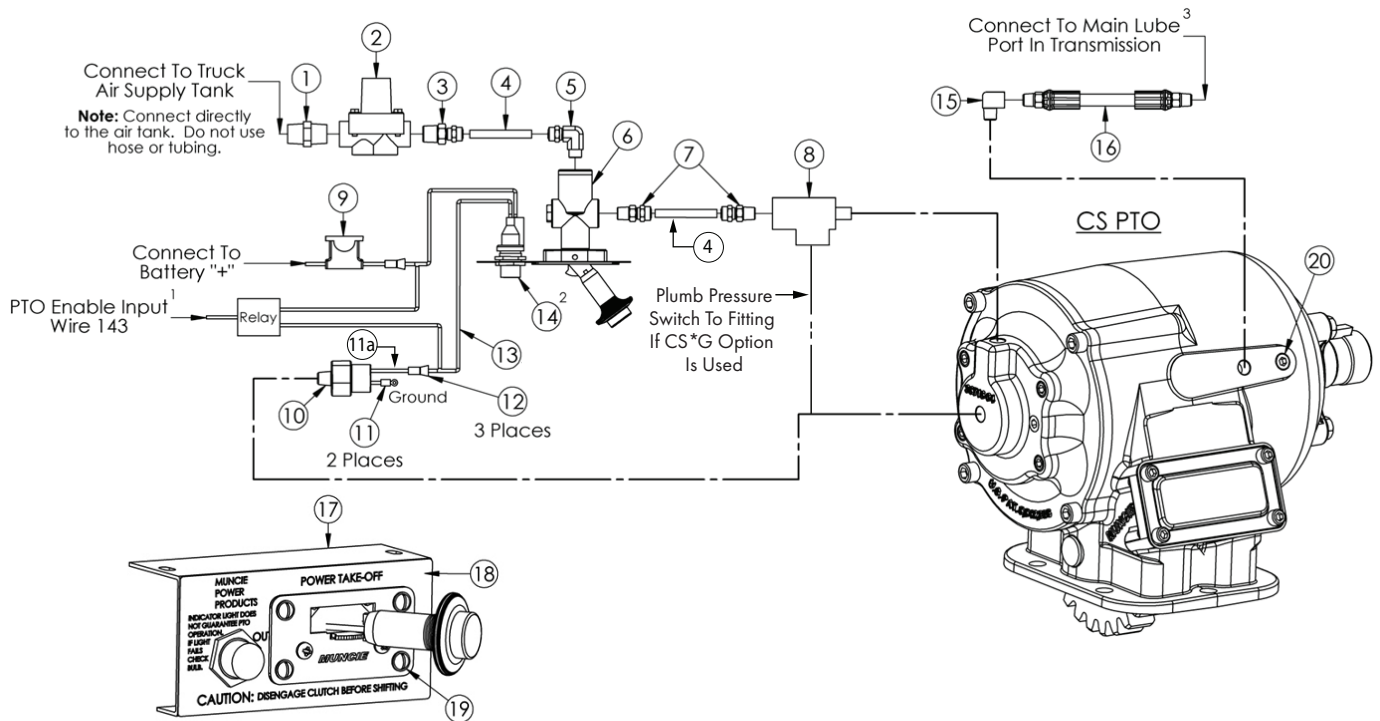


**Output Shaft Seals: Output B, C, 2, X, G, K, P, Q, R, T, S, 6, and 7 use 11T65108. Output D, I, and Z use 11T64141.

Installation Kits

Manual Air Shift System

48TK4508 (12V – “A” Option) & 48TK4509 (24V – “K” Option)



For 24V “K” Option (48TK4509)

Substitute item 14 with the 24V light assembly (32M24001)

ITEM	QTY.	PART NO.	DESCRIPTION
1	1	44MB2164	Pipe Nipple
2	1	31M15759	Pressure Protection Valve
3	1	44MB6844	Fitting
4	1	45M44430	Tubing (30 Ft.)
5	1	44MB6942	Elbow Fitting
6	1	35M18653	Air Valve
7	2	44MB6842	Fitting
8	1	44MB2252	Street Tee
9	1	33T36299	Fuse Assembly
10	1	30T60228	Pressure Switch
11	2	34M18009	Ring Terminal
11a	1	34T36941	Wiring Pigtail

ITEM	QTY.	PART NO.	DESCRIPTION
12	1	34T36362	Closed End Crimp
13	1	37T42512	Wire (12 Ft.)
14	1	32M12001	Light Assembly 12V
Items 15 & 16 are included with the “P” special feature			
15	1	43T37385	Orifice Fitting
16	1	45M4R536	Lube Hose Assembly
17	2	36MA1004	Dash Bracket
18	1	36T38978	Face Plate
19	1	36MK1007	Dash Bracket Bolt Kit
20	1	25T21684	Pipe Plug

Footnotes:

1. Allison TCM (Pin 43)

- Clutch shift PTO's require a connection to the Allison “PTO Enable Input” circuits. Check the vehicle dealer or body builder's information for this location. (Relay not supplied. Suggested installation shown for Allison interface.)

2. Light Assembly

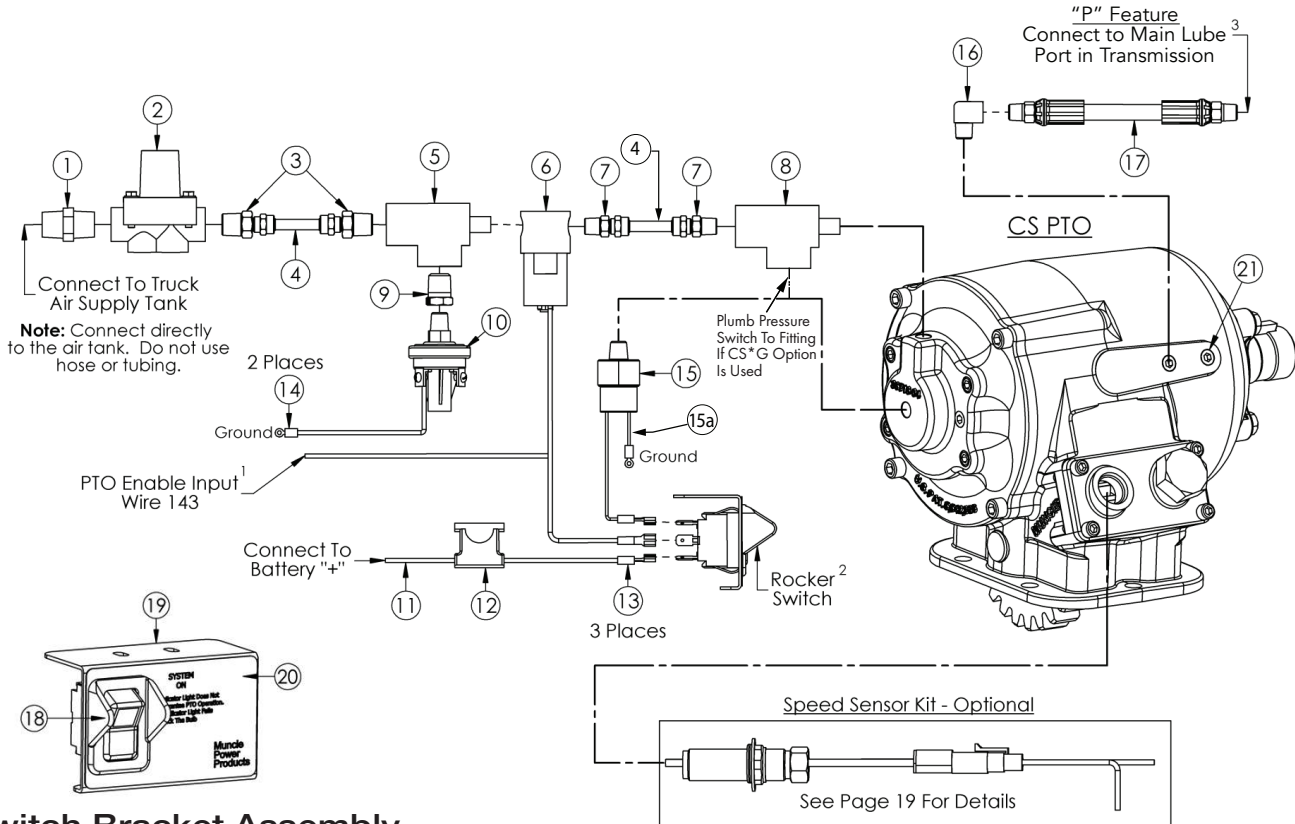
- Red light in the light assembly is to turn “ON” when the PTO is engaged and turn “OFF” when the PTO is disengaged.

3. Lube Pressure Connection

- An additional fitting(s) may need to be used for proper connection to the lubrication port in each transmission; refer to the PTO Installation & Operator's Manual (IN84-03) for more information

Electric/Air Shift System

48TK3928 (12V – “E” Option) & 48TK3931 (24V – “F” Option)



Switch Bracket Assembly

12V - 30T36270

24V - 30T36453

For 24V “F” Option (48TK3931)

Include items 19 and 20 and substitute item 6 with the 24V Solenoid Valve Block (35M31692) and substitute item 18 with the 24V Rocker Switch (30T35712).

This kit also comes with the 24V light assembly (32MSR24V) and the faceplate with light access (36M01006)

ITEM	QTY.	PART NO.	DESCRIPTION
1	1	44MB2164	Pipe Nipple
2	1	31M15759	Pressure Protection Valve
3	2	44MB6844	Fitting
4	1	45M44430	Tubing (30 Ft.)
5	1	35M30692	Street Tee
6	1	35M30692	12V Solenoid Valve
7	2	44MB6842	Fitting
8	1	44MB2252	Street Tee
9	1	44MB0942	Reducer Bushing
10	1	31M14732	Press. Safety Switch (NO 80 PSI)
11	2	37T42512	Wire (12 Ft.)
12	1	33T36299	Fuse Assembly

ITEM	QTY.	PART NO.	DESCRIPTION
13	3	34M18250	Female Spade Connector (1/4")
14	2	34M18009	Ring Terminal
15	1	30T60228	Pressure Switch
15a	1	34T36941	Wiring Pigtail
Items 16 & 17 are included with the “P” special feature			
16	1	43T37385	Orifice Fitting
17	1	45M4R536	Lube Hose Assembly
18	1	30T35687	Rocker Switch 12V
19	1	36MA1005	Switch Bracket
20	1	36T36271	Face Plate
21	1	25T21684	Pipe Plug
N.S.	1	48TA3953	Sol. Bracket Kit

Footnotes:

1. Allison TCM (Pin 43)

• Clutch shift PTO’s require a connection to the Allison “PTO Enable Input” circuits. Check the vehicle dealer or body builder’s information for this location.

2. Rocker Switch

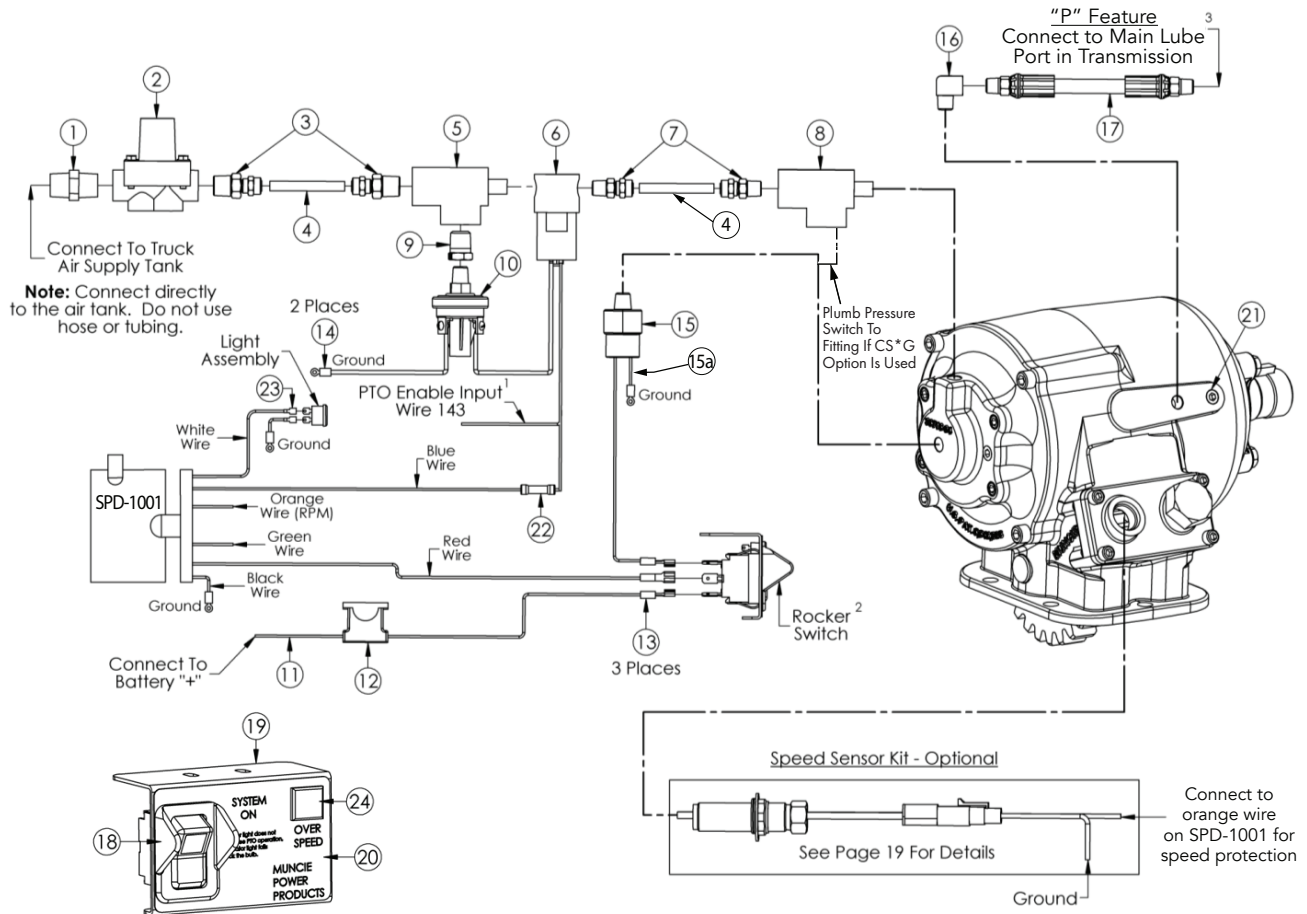
• Red light in the rocker switch is to turn “ON” when the PTO is engaged and turn “OFF” when the PTO is disengaged.

3. Lube Pressure Connection

• An additional fitting(s) may need to be used for proper connection to the lubrication port in each transmission; refer to the PTO Installation & Operator’s Manual (IN84-03) for more information.

Electric/Air Shift System with System Protection Feature

48TK3928 (12V – “E” Option) & 48TK3931 (24V – “F” Option)



Switch Bracket Assembly

12V - 30T36270
24V - 30T36453

For 24V “F” Option (48TK3931)

Include items 19 and 20 and substitute item 6 with the 24V Solenoid Valve Block (35M31692) and substitute item 18 with the 24V Rocker Switch (30T35712). This kit also comes with the 24V light assembly (32MSR24V) and the faceplate with light access (36M01006).

Overspeed

Faceplate with light access and overspeed light are not included in 30T36270 (12V bracket assembly) and are to be ordered separately in kit 36TK4971. They are included in the 24V kit (48TK5112 & 48TK4117)

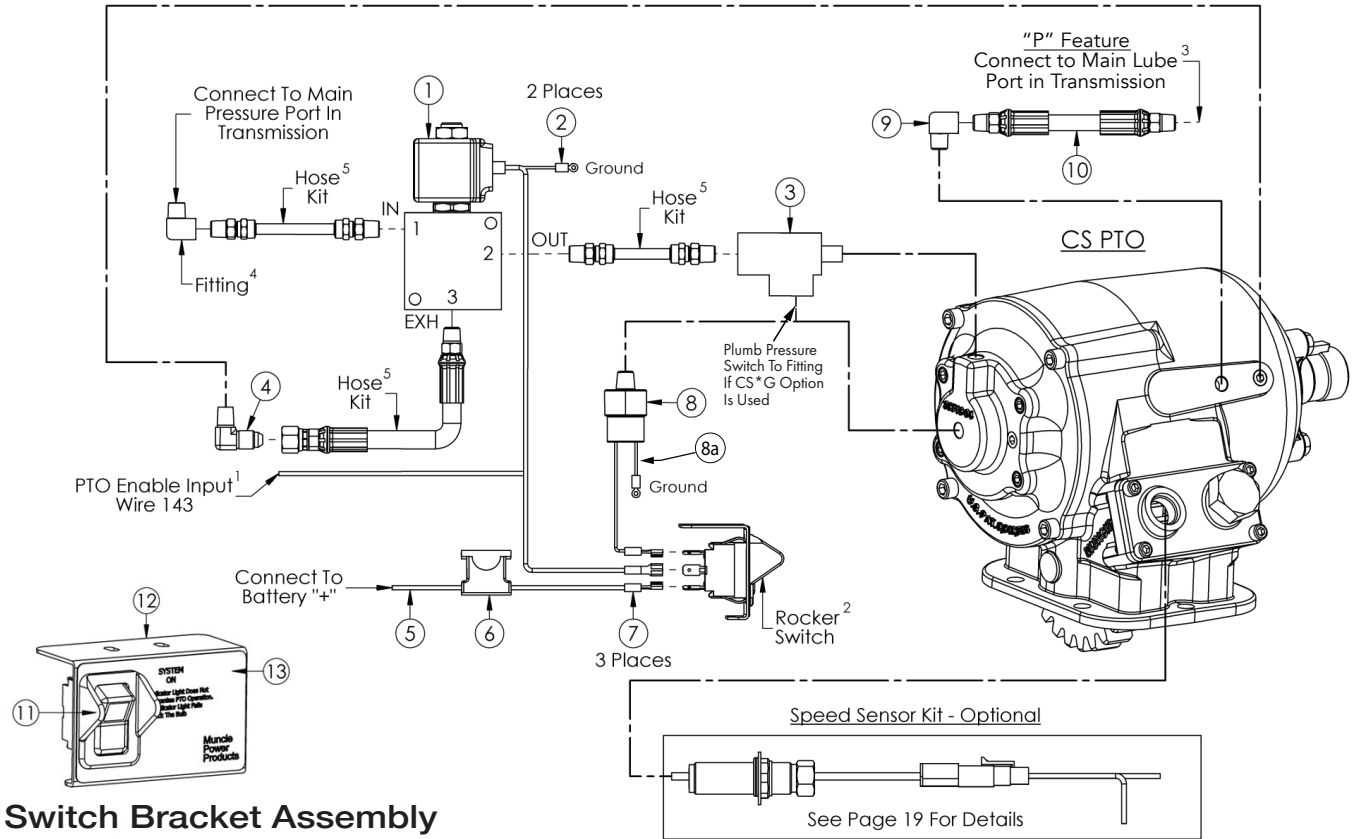
ITEM	QTY.	PART NO.	DESCRIPTION
1	1	44MB2164	Pipe Nipple
2	1	31M15759	Pressure Protection Valve
3	2	44MB6844	Fitting
4	1	45M44430	Tubing (30 Ft.)
5	1	35M30692	Street Tee
6	1	35M30962	12V Solenoid Valve
7	2	44MB6842	Fitting
8	1	44MB2252	Street Tee
9	1	44MB0942	Reducer Bushing
10	1	31M14732	Press. Safety Switch (NO 80 PSI)
11	1	37T42512	Wire (12 Ft.)
12	1	33T36299	Fuse Assembly
13	3	34M18250	Female Spade Connector (¼")
14	2	34M18009	Ring Terminal

ITEM	QTY.	PART NO.	DESCRIPTION
15	1	30T60228	Pressure Switch
15a	1	34T36941	Wiring Pigtail
Items 16 & 17 are included with the “P” special feature			
16	1	43T37385	Orifice Fitting
17	1	45MR536	Lube Hose Assembly
18	1	30T35687	Rocker Switch 12V
19	1	36MA1005	Switch Bracket
20	1	36M01006	Face Plate with Light Access
21	1	25T21684	Pipe Plug (Included w/ PTO)
Items 20, 22, 23 & 24 are included in kit 36TK4971			
22	1	34M18002	Butt Splice
23	2	34M18187	Female Space Connector (¾")
24	1	32MSR12V	Overspeed Light 12V
N.S.	1	43TA3953	Sol. Bracket Kit

Footnotes: See page 12 for footnotes 1, 2 & 3.

Electric/Hydraulic Shift System

48TK3927B (12V – “H” Option) & 48TK3930A (24V – “J” Option)



Switch Bracket Assembly

12V - 30T36270

24V - 30T36453

For 24V “J” Option (48TK3930A)

Include items 12 and 13 and substitute item 1 with the 24V Solenoid Valve Block (35M24340B) and substitute item 13 with the 24V Rocker Switch (30T35712). This kit also comes with the 24V light assembly (32MSR24V) and the faceplate with light access (36M01006).

ITEM	QTY.	PART NO.	DESCRIPTION
1	1	35M12340A	12V Solenoid Valve
2	2	34M18009	Ring Terminal
3	1	44MB2252	Street Tee
4	1	43T35867	Fitting
5	1	37T42512	Wire (12 Ft.)
6	1	33T36299	Fuse Assembly
7	3	34M18250	Female Spade Connector (1/4")
8	1	30T60228	Pressure Switch
8a	1	34T36941	Wiring Pigtail

ITEM	QTY.	PART NO.	DESCRIPTION
Items 9 & 10 are included with the "P" special feature			
9	1	43T37385	Orifice Fitting
10	1	45M4R536	Lube Hose Assembly
11	1	30T35687	Rocker Switch 10V
12	1	36MA1005	Switch Bracket
13	1	36T36271	Face Plate
N.S.	2	19T36623	Capscrew
N.S.	2	22T35140	Hex Nut
N.S.	2	21T37991	Lock Washer

Footnotes:

1. Allison TCM (Pin 43)

- Clutch shift PTO's require a connection to the Allison "PTO Enable Input" circuits. Check the vehicle dealer or body builder's information for this location.

2. Rocker Switch

- Red light in the rocker switch is to turn "ON" when the PTO is engaged and turn "OFF" when the PTO is disengaged.

3. Lube Pressure Connection

- An additional fitting(s) may need to be used for proper connection to the lubrication port in each transmission; refer to the PTO Installation & Operator's Manual (IN84-03) for more information.

4. Main Pressure Connection

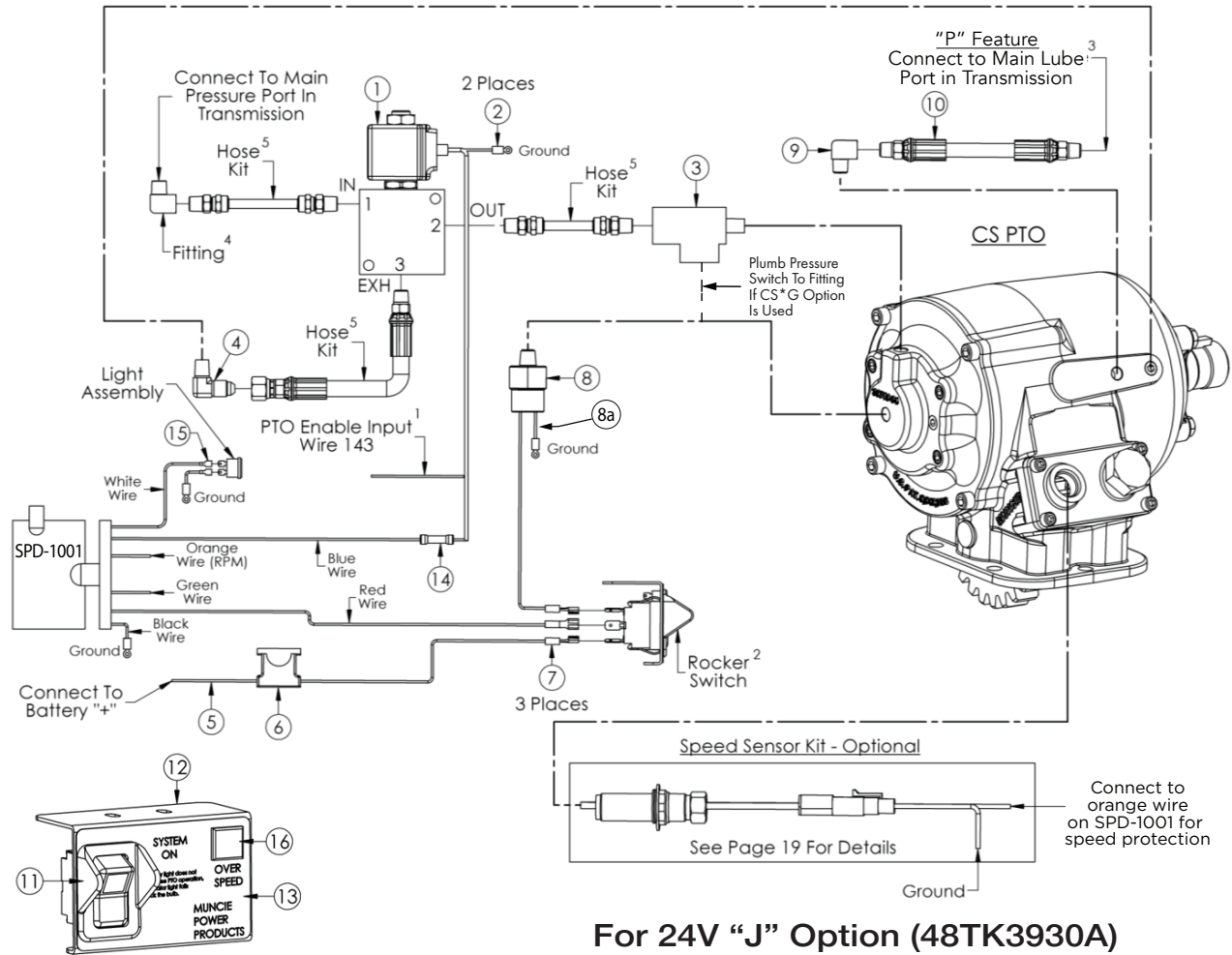
- An additional fitting(s) may need to be used for proper connection to the pressure port in each transmission refer to the PTO Installation & Operator's Manual (IN84-03) for more information.

5. Hose Kits

- Hydraulic hoses and hose ends are not supplied with the standard installation kit; order Muncie 131-2-0001 hose kit separately.

Electric/Hydraulic Shift System with System Protection Feature

48TK3927B (12V – “H” Option) & 48TK3930A (24V – “J” Option)



Switch Bracket Assembly
 12V - 30T36270
 24V - 30T36453

For 24V “J” Option (48TK3930A)
 Include items 12 and 13 and substitute item 1 with the 24V Solenoid Valve Block (35M24340B) and substitute item 13 with the 24V Rocker Switch (30T35712). This kit also comes with the 24V light assembly (32MSR24V) and the faceplate with light access (36M01006).

Overspeed

Faceplate with light access and overspeed light are not included in 30T36270 (12V bracket assembly) and are to be ordered separately in kit 36TK4971. They are included in the 24V kit (48TK5112 & 48TK4117)

ITEM	QTY.	PART NO.	DESCRIPTION
1	1	35M12340A	12V Solenoid Valve
2	2	34M18009	Ring Terminal
3	1	44MB2252	Street Tee
4	1	43T35867	Fitting
5	1	37T42512	Wire (12 Ft.)
6	1	33T36299	Fuse Assembly
7	3	34M18250	Female Spade Connector (1/4")
8	1	30T60228	Pressure Switch
8a	1	34T36941	Wiring Pigtail

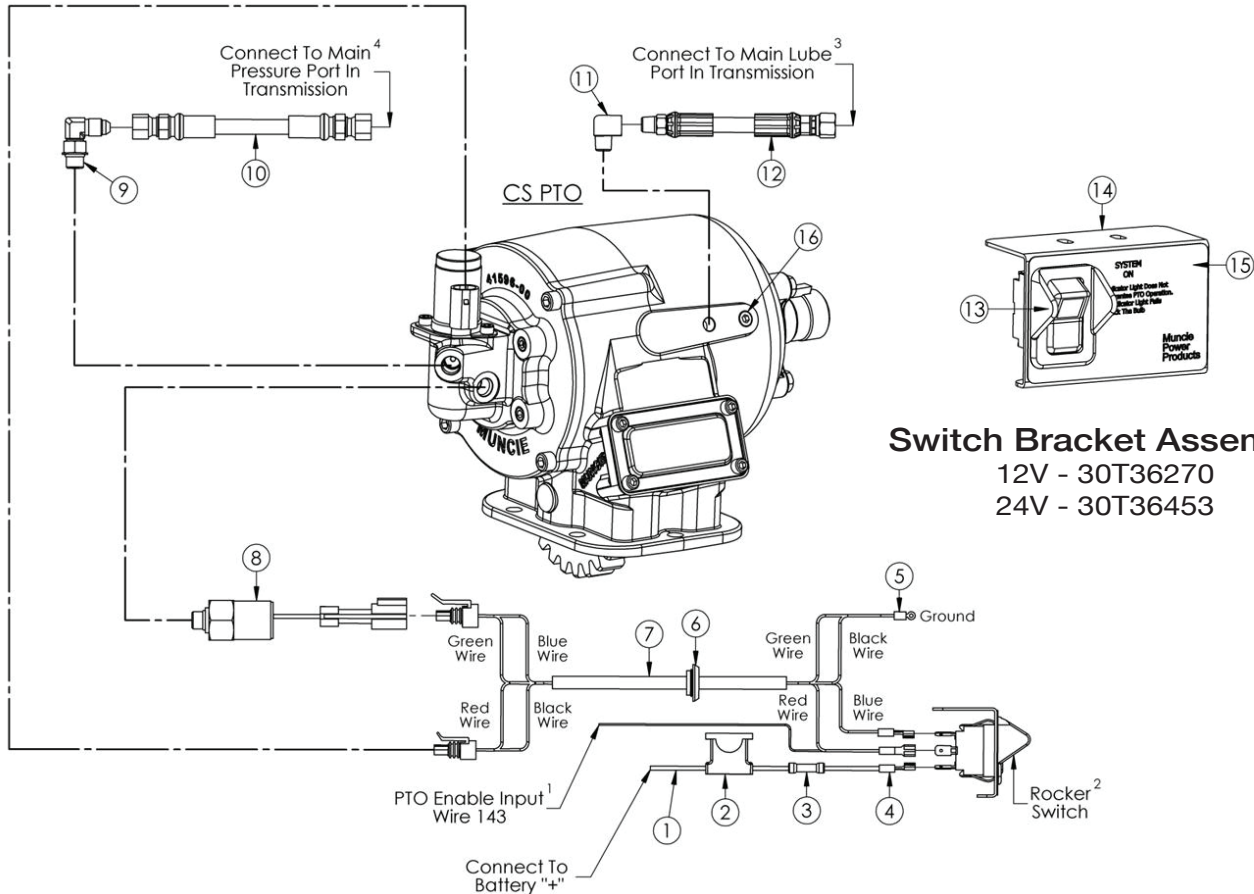
ITEM	QTY.	PART NO.	DESCRIPTION
Items 9 & 10 are included with the “P” special feature			
9	1	43T37385	Orifice Fitting
10	1	45M4R536	Lube Hose Assembly
11	1	30T35687	Rocker Switch 10V
12	1	36MA1005	Switch Bracket
13	1	36T36271	Face Plate
N.S.	2	19T36623	Cap screw
N.S.	2	22T35140	Hex Nut
N.S.	2	21T37991	Lock Washer

Footnotes: See page 14 for footnotes 1, 2, 3, 4 & 5.

Electric/Hydraulic Shift System for Drop-in Solenoid Option

48TK5106 - 48TK5111 & 48TK5113 - 48TK5115 (12V – “S” Option)

48TK5112 & 48TK5117 (24V – “R” Option)



Switch Bracket Assembly

12V - 30T36270

24V - 30T36453

For 24V “R” Option (48TK5112 & 48TK5117)

Include items 14 and 15 and substitute item 13 with the 24V Rocker Switch (30T35712). This kit also comes with the 24V light assembly (32MSR24V) and the faceplate with light access (36M01006).

48TK5104 (12V) & 48TK5105 (24V)			
ITEM	QTY.	PART NO.	DESCRIPTION
1	1	37T42512	Wire (12 Ft.)
2	1	33T36299	Fuse Assembly
3	1	34M18002	Butt Splice
4	1	34M18250	Female Spade Connector (1/4")
5	1	34M18009	Ring Terminal
6	1	37T35674	Grommet
7	1	34T40902	Wire Harness
8	1	30T60223	Pressure Switch
9	1	43M68014	Fitting
N.S.	1	34T43180	Allison Input Cable

ITEM	QTY.	PART NO.	DESCRIPTION
Items 9 & 10 are included with the “P” special feature			
10	1	45T38840	36" Hose Kit - 48TK5106/48TK5115
	1	45T39186	17" Hose Kit - 48TK5111/48TK5112
	1	45T36274	28" Hose Kit - 48TK5113/48TK5117
Items 11 & 12 are included with the “P” special feature			
11	1	43M05522	Orifice Fitting
	1	43T37385	Orifice Fitting
12	1	45M4R536	Lube Hose Assembly
13	1	30T35687	Rocker Switch 12V
14	1	36MA1005	Switch Bracket
15	1	36T36271	Face Plate
16	1	25T21684	Pipe Plug (Included w/ PTO)
N.S.	1	43T36445	Elbow Fitting (use as needed)

Footnotes:

1. Allison TCM (Pin 43)

- Clutch shift PTO's require a connection to the Allison “PTO Enable Input” circuits. Check the vehicle dealer or body builder's information for this location.

2. Rocker Switch

- Red light in the rocker switch is to turn “ON” when the PTO is engaged and turn “OFF” when the PTO is disengaged.

3. Lube Pressure Connection

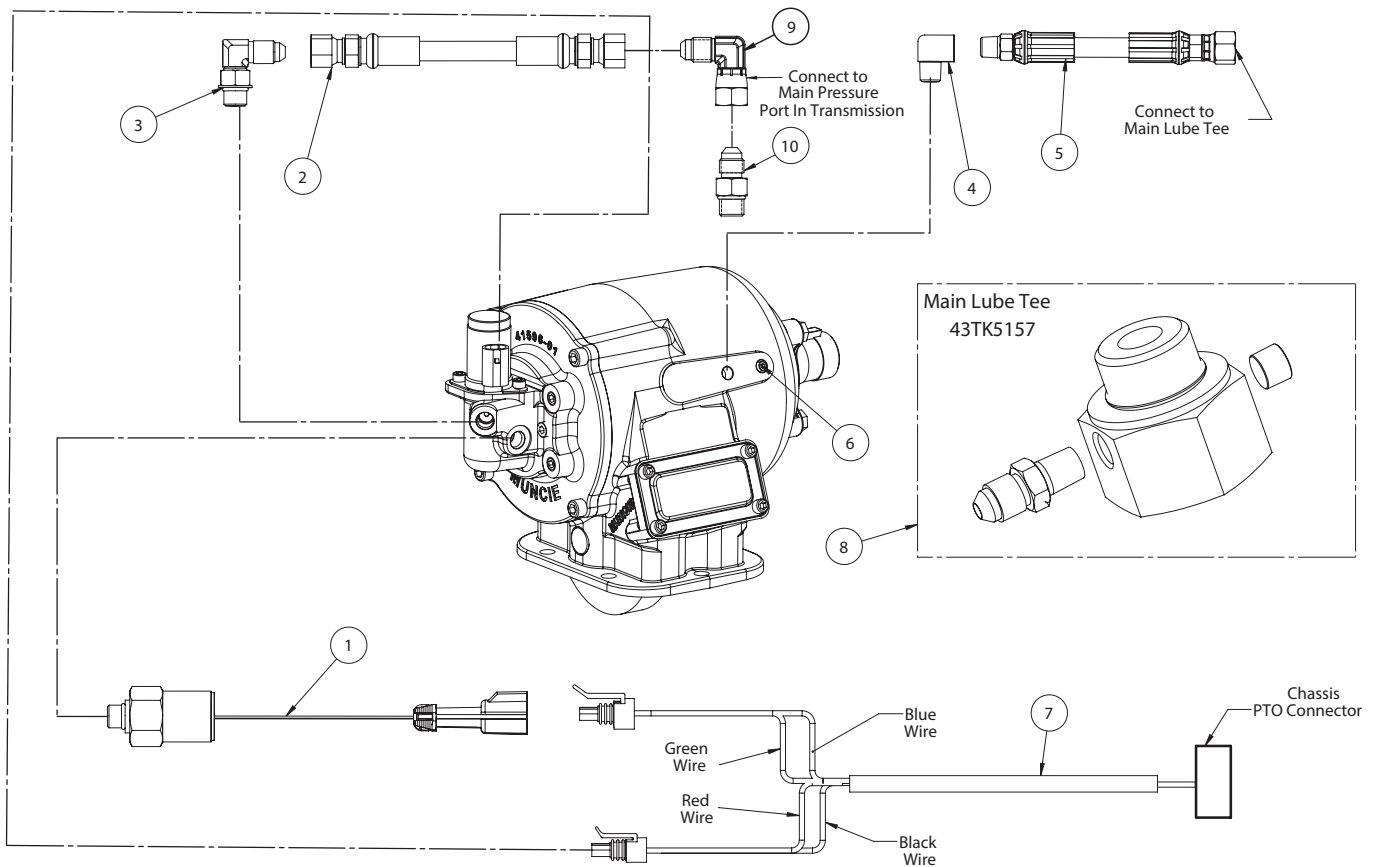
- An additional fitting(s) may need to be used for proper connection to the lubrication port in each transmission; refer to the installation supplement to IN84-03 (I-3029) or the PTO Installation & Operator's Manual (IN84-03) for more information.

4. Main Pressure Connection

- An additional fitting(s) may need to be used for proper connection to the pressure port in each transmission refer to the installation supplement to IN84-03 (I-3029) or the PTO Installation & Operator's Manual (IN84-03) for more information.

Electric/Hydraulic "2" Shift System

48TK6495 (1 Arrangement – 07 Ratio), 48TK6496 (3 Arrangement – 07 Ratio),
48TK6497 (1 Arrangement), 48TK6498 (3 Arrangement)

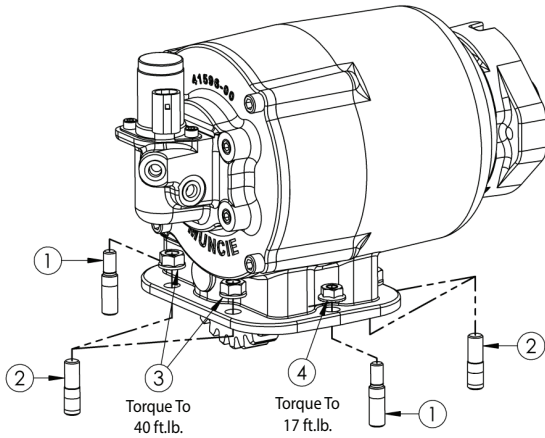


ITEM	PART NO.	DESCRIPTION	QUANTITY
1	30T60223	Pressure Switch	1
2	45T36274	28" Hose Assembly	1
	45T39186	17" Hose Assembly	1
3	43M68014	Fitting	1
4	43T37385	Orifice Fitting	1
5	43TK3934	Hose Kit	1
6	25T21684	Pipe Plug (Included w/PTO)	1
7	34T43466	GM Wiring Harness	1
8	43TK5157	Lube Tee Kit	1
9	43T36445	Elbow Fitting	1
10	43T36431	FA-Adapter	1
Not Shown	43M05522	Lube Fitting	1

KIT PART NUMBER			
48TK6495	48TK6496	48TK6497	48TK6498
X	X	X	X
X		X	
	X		X
X	X	X	X
X	X	X	X
X	X	X	X
X	X	X	X
X	X	X	X
X	X	X	X

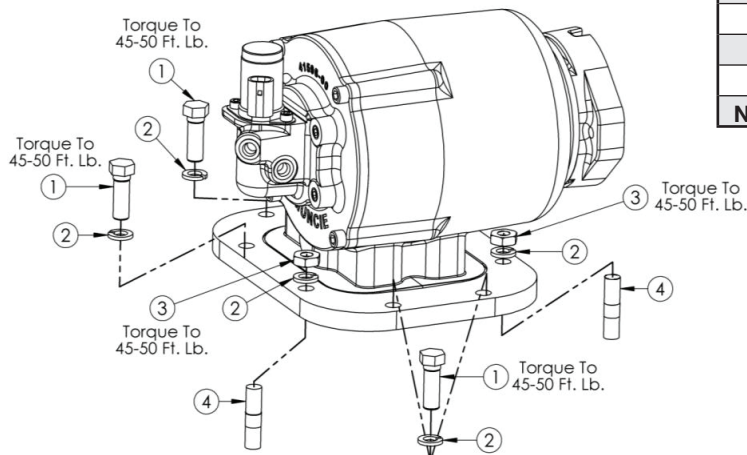
Feature Code "H"

QTY.	PART NO.	DESCRIPTION
HINO ACTIVATION KIT Requires "S" shift option CS6B-A67** 48TK5690 (ratio 03-05 or 48Tk5692 (ratio 07)		
1	20TK4359	Stud Kit 03-05
	20TK4360	Stud Kit 07
1	25T21684	Pipe Plug
1	30T35687	Rocker Switch
1	30T60223	Pressure Switch
1	34T43770	2016 Hino Wire Harness
1	36MK3841	Safety Labels
1	43M68014	Lube Fitting
1	43TK3934	Hose Kit
1	43TK5157	Lube Tee
1	43T36431	Adapter
2	43T36445	Elbow Fitting
1	43T37385	Orifice Elbow
1	45T36274	Hose Assembly 28"
1	52TK5093	Gasket/Instruction Pack



Mounting Kits: 8-Bolt

ITEM	QTY.	PART NO.	DESCRIPTION
20MK8800 - Standard: Used with CS8S & CS8D			
1	6	19M44138	Capscrew
2	8	21ML4375	Lock Washer
3	2	22MX4420	Nut
4	2	20M44175	Stud
20MKM801 - Metric: Used with CS8B & CS8C			
2	8	21ML4375	Lock Washer
3	8	22MX4420	Nut
4	8	20M47050	Stud

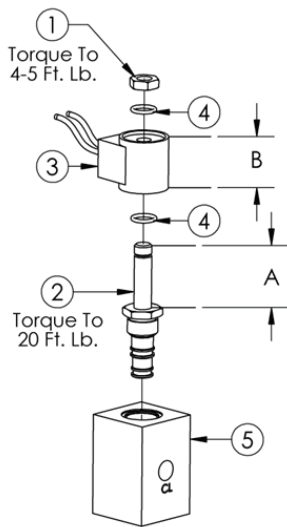


Mounting Kits: 6-Bolt

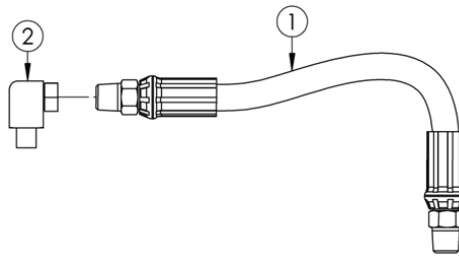
ITEM	QTY.	PART NO.	DESCRIPTION
20TK4418 - Standard: Used with CS6S, CS6D & CS6N-S71/S73			
1	2	20T37032	Step Stud
2	4	20M38150	Stud
3	4	22T39282	Spirallock Nut
4	2	22T37605	Whiz-Lock Nut
N.S.	1	MC00-02	Instruction Card
20TK4359 - Metric: Used with CS6B & CS6C (Not A67)			
1	2	20T37952	Step Stud
2	4	20M39040	Stud
3	4	22T39282	Spirallock Nut
4	2	22T37605	Whiz-Lock Nut
N.S.	1	MC00-02	Instruction Card
20TK4360 - Metric: Used with CS6B-***07 (Not A67)			
1	2	20T38391	Step Stud
2	4	20M39045	Stud
3	4	22T39282	Spirallock Nut
4	2	22T37605	Whiz-Lock Nut
NS.	1	MC00-02	Instruction Card
20TK6335 - Metric: Used with CS6B-I84**			
1	2	20T64030	Alignment Stud
2	4	20T64008	Stud
3	6	22T39282	Spirallock Nut
N.S.	1	MC18-01	Instruction Card
20TK4046 - Metric: Used with CS6F-F84**			
1	2	20T37952	Step Stud
2	4	20M39040	Stud
3	4	22T39282	Spirallock Nut
4	2	22T37605	Whiz-Lock Nut
N.S.	1	MC00-02	Instruction Card
N.S.	1	13M51717	Loctite Gasket Eliminator
20TK5169 -			
1	2	20T41354	Step Stud
2	4	20T37990	Stud
3	4	22T39282	Spirallock Nut
4	2	22T37605	Whiz-Lock Nut
N.S.	1	MC00-02	Instruction Card
20TK6389 - Metric: Used with 6S6B-A67 (03-05)			
1	2	20T64076	Alignment Stud
2	4	20T64077	Stud
3	6	22T39282	Nut
4	4	21T64303	Flat Washer
N.S.	1	MC18-04	Instruction Card
20TK6390 - Metric: Used with CS6B-A6707			
1	2	20T64085	Alignment Stud
2	4	20T64089	Stud
3	6	22T39282	Nut
4	4	21T64303	Flat Washer
N.S.	1	MC18-04	Instruction Card

Accessory Kits

Remote Solenoid Block Assembly 35M12340A



Pressure Lube Kit 43TK3934



ITEM	QTY.	PART NO.	DESCRIPTION
1	1	45M4R536	Hose Assembly - Standard
2	1	43M05522	Elbow

12 V Cartridge Assembly 35T40087

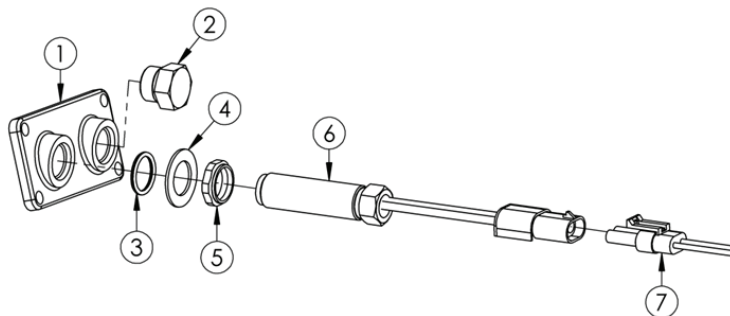
ITEM	QTY.	PART NO.	DESCRIPTION
1	1	22T39429	Nut
2	1	35M12340DS	12V DC Coil
3	1	N/A	Stem
4	2	12T39408	O-Ring
5	1	N/A	Block

Dim A – 1.89

Dim B – 1.77

Items with an N/A part number are NOT sold as separate items.

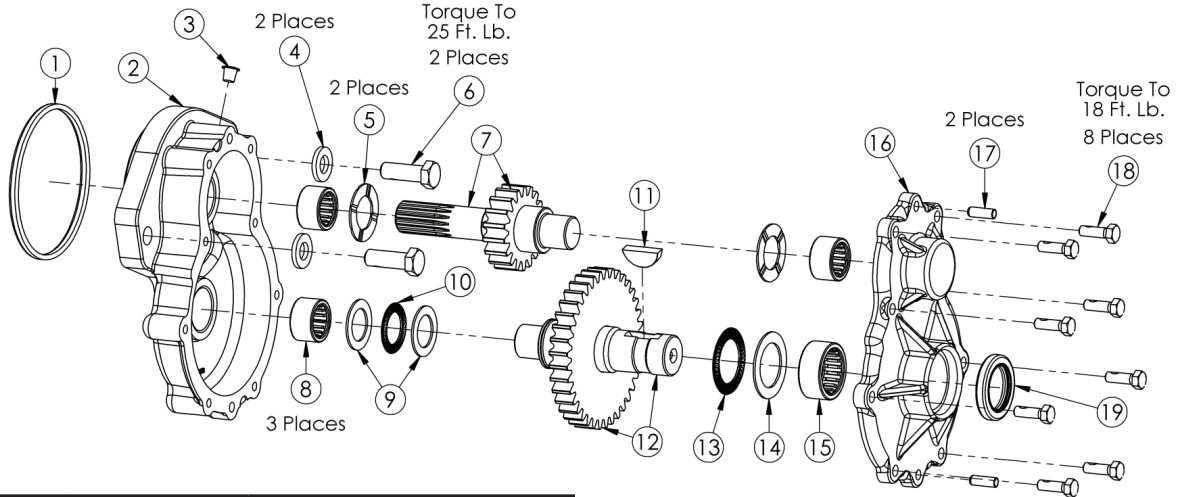
Speed Sensor Kit 16TK3833 (Option C, D, R & S)



ITEM	QTY.	PART NO.	DESCRIPTION
1	1	16T35523	Mag Pickup Cover
2	1	25T35999	Plug
3	1	21T41900	Thread Seal Washer
4	1	21T35603	Flat Washer
5	1	21T35109	Jam Nut
6	1	31T35108	Mag Pickup
7	1	34MA1415	Wiring Harness

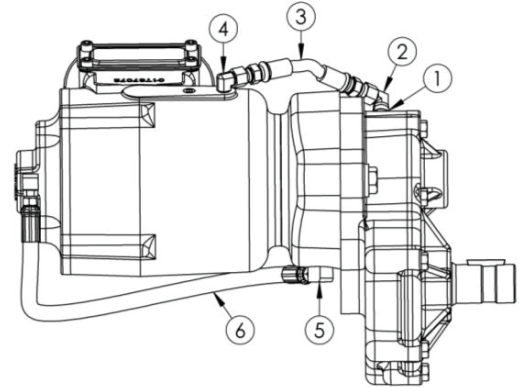
CS Low-Box

CSGB-200-125 Exploded



ITEM	QTY.	PART NO.	DESCRIPTION
1	1	12T36872	O-Ring
2	1	01T40900	Low-Box Housing
3	1	25T34029	Cap Plug
4	2	21T36002	Washer
5	2	21T35233	Thrust Plate
6	2	19T35998	Capscrew
7	1	07TA4956	Input Assembly
8	3	10T35243	Bearing
9	2	21T35243	Thrust Race
10	1	10T27216	Bearing
11	1	26T01627	Woodruff Key
12	1	06TA3807	Output Shaft Assembly
13	1	10T35239	Bearing
14	1	21T35241	Thrust Race
15	4	10T35239	Bearing
16	1	15T35209	Low-Box Cover
17	2	26T35232	Pin
18	8	19T32740	Hex Head Capscrew
19	1	11T37790	Seal
N.S.	1	13T35219	Gasket, Housing

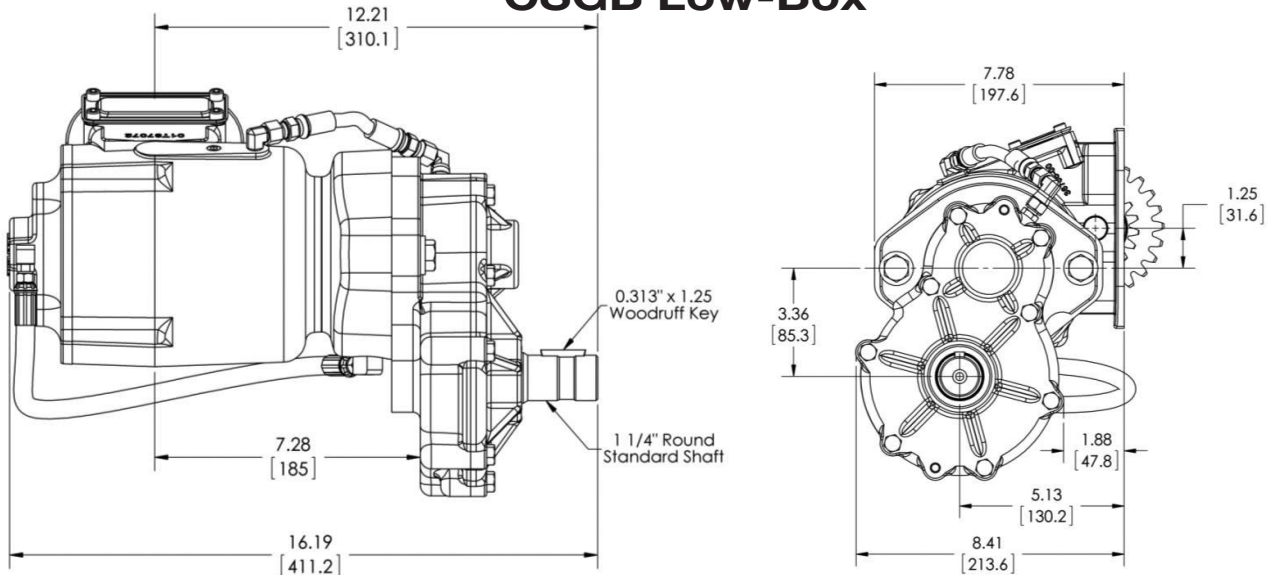
CSGB-200-125 Lubrication Kit



ITEM	QTY.	PART NO.	DESCRIPTION
1	1	43T37503	JIC Straight Fitting
2	1	43T36445	JIC Elbow Fitting
3	1	45T36308	Lube Hose
4	1	43T35867	JIC Elbow Fitting
5	*	43T37385	Orifice Elbow
6	*	43TK3934	Lubrication Hose Kit

*Supplied with PTO

CSGB Low-Box

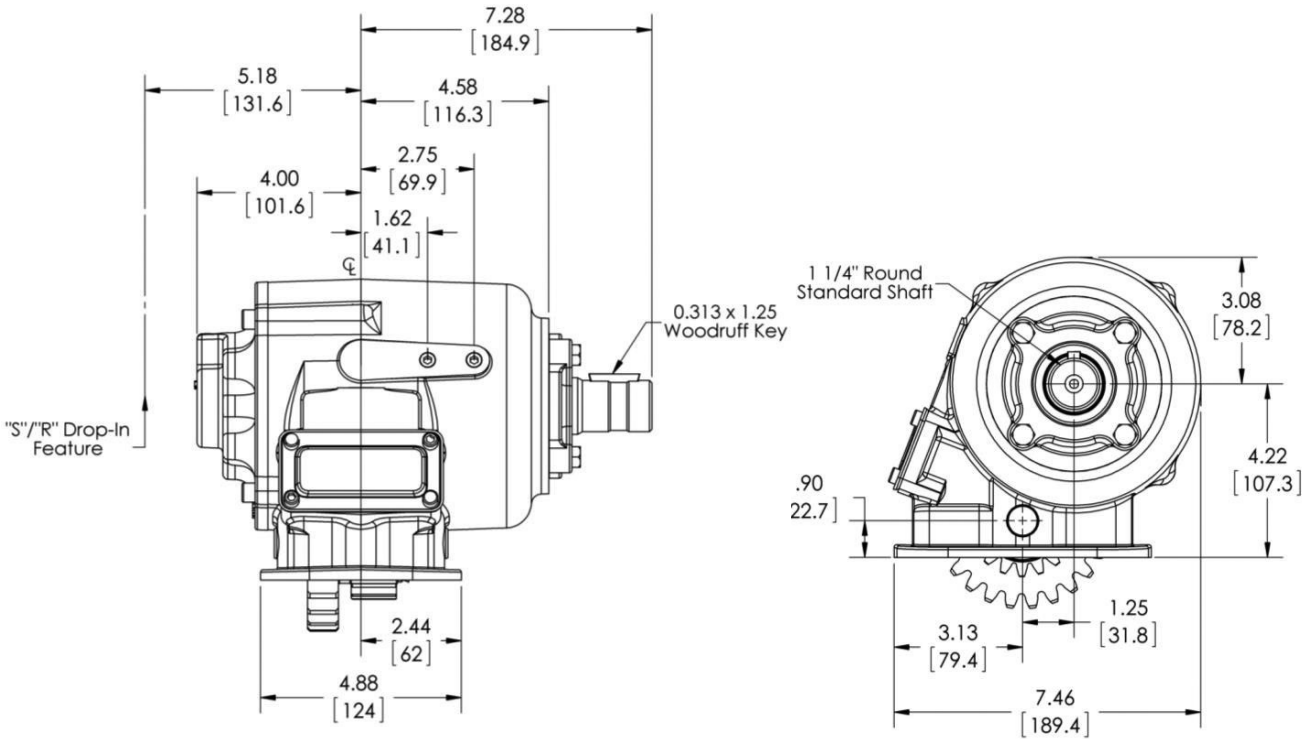


MUNCIE POWER PRODUCTS, INC.

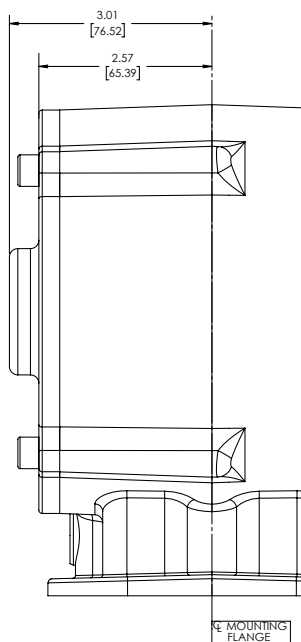
Dimensions

Inches [mm]

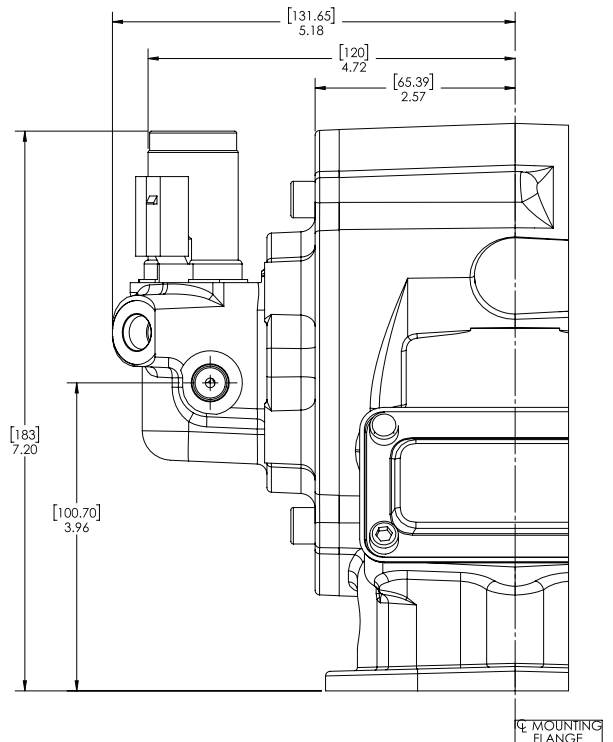
CS6* "B" Output Option – 1 1/4" Round Keyed



"G" Rear Cover Option

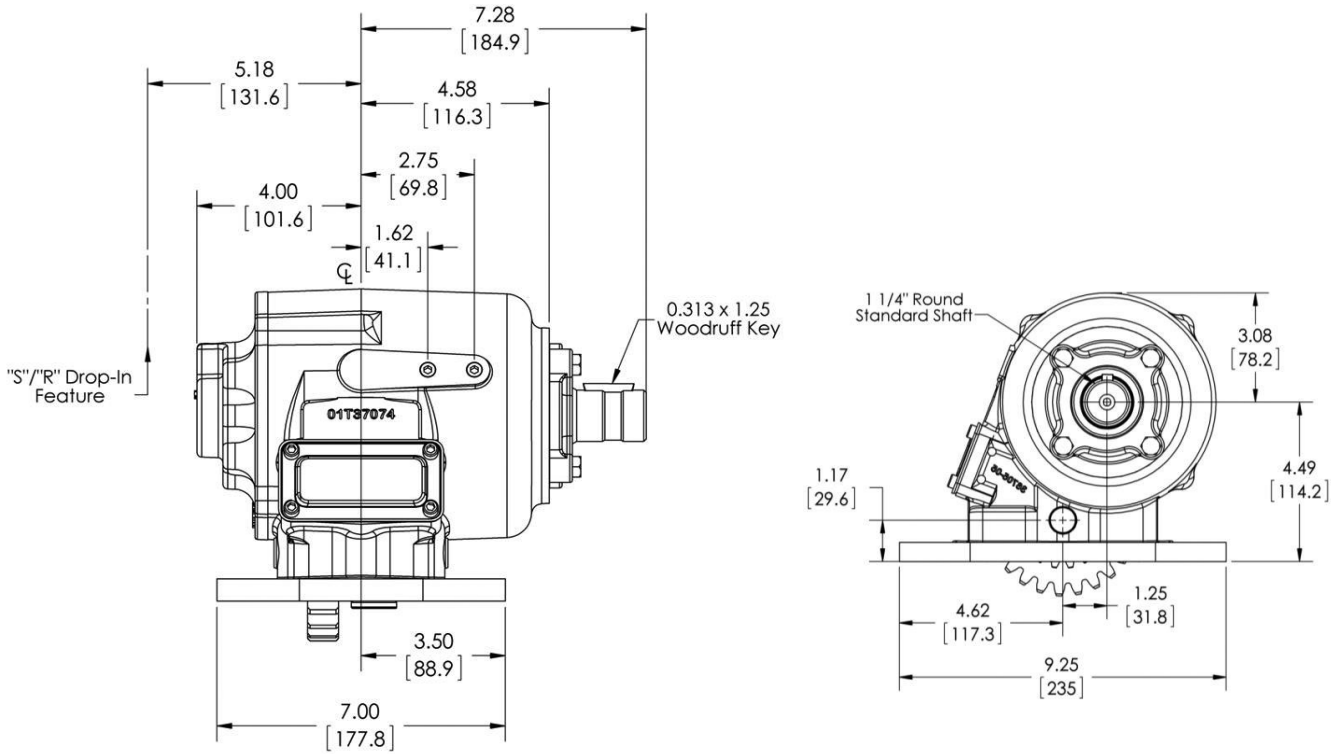


Drop-in Solenoid Rear Cover Option

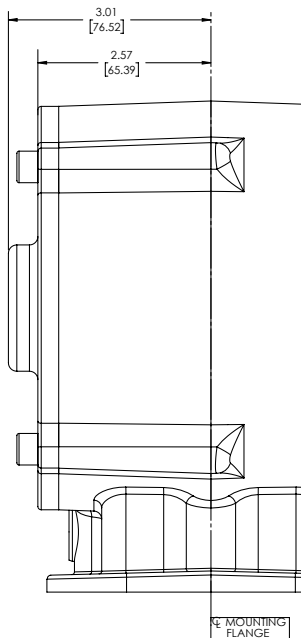


Dimensions (continued)

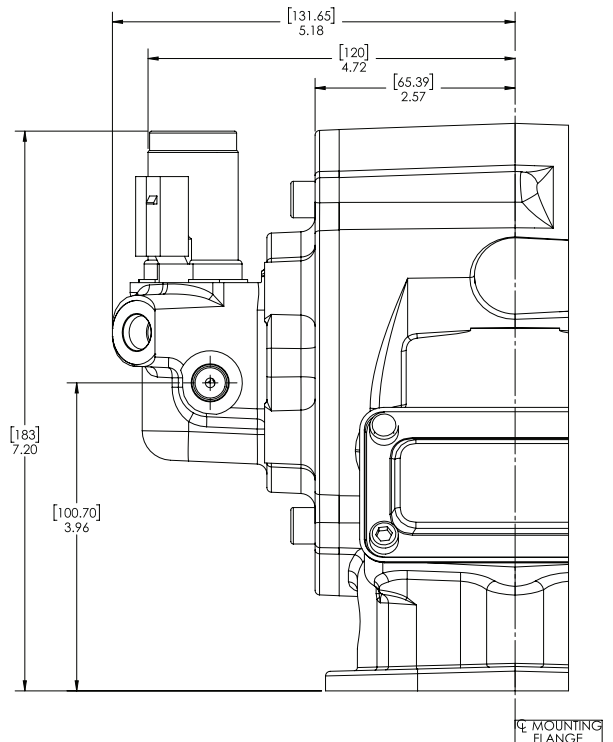
CS8* "B" Output Option – 1 1/4" Round Keyed



"G" Rear Cover Option

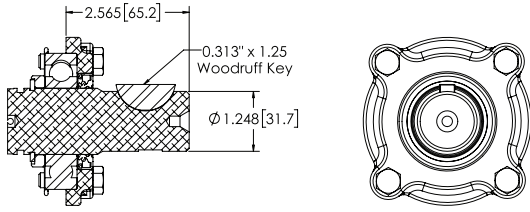


Drop-in Solenoid Rear Cover Option

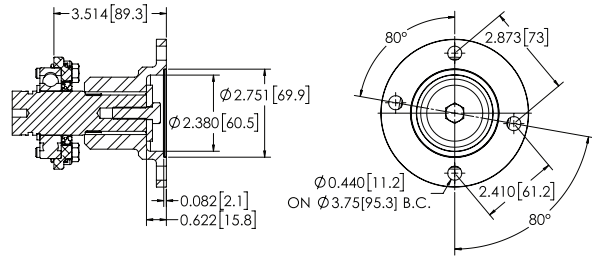


Output Options

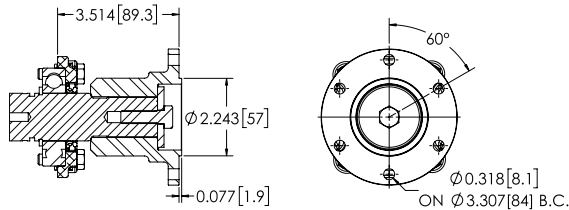
“B” Output – 1.250" Rnd Shaft w/ 5/16" Key



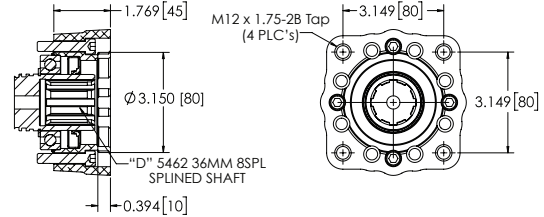
“C” Output – 1410 Companion Flange



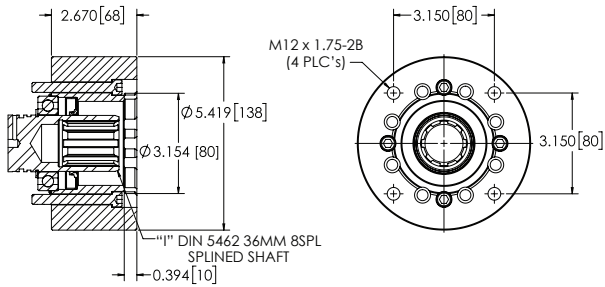
“2” Output – DIN 100 Companion Flange



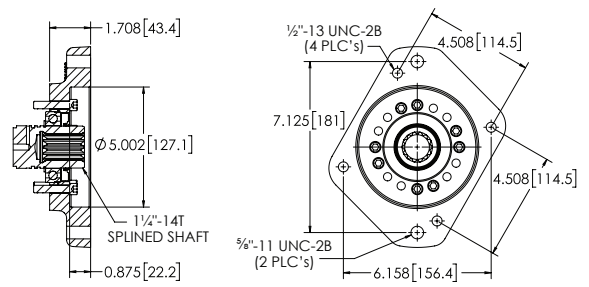
“D” Output – DIN 5462 Flange (Euro)



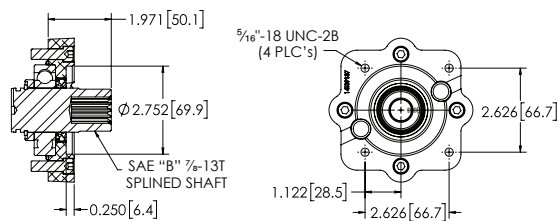
“I” Output – DIN 5462 Flange



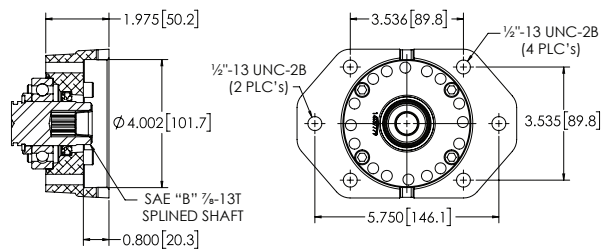
“E” Output – SAE “C” 2/4-Bolt Flange



“G” Output – Special 4-Bolt Dana Flange

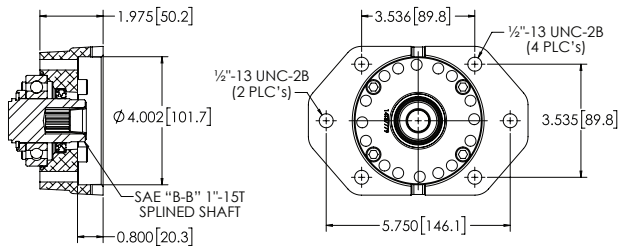


“K” Output – SAE “B” 2/4-Bolt Flange

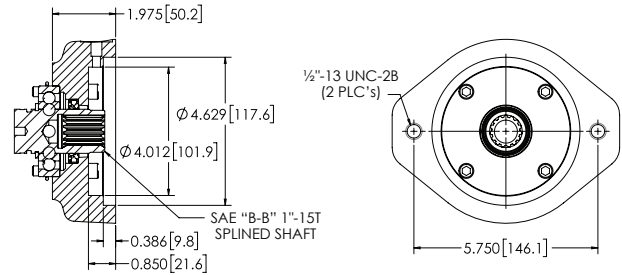


Output Options *(continued)*

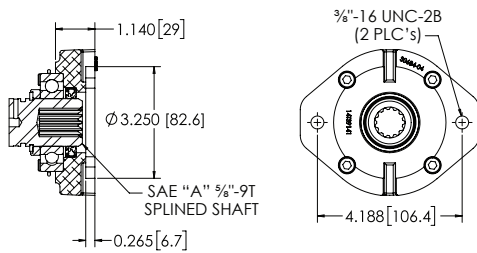
“P” Output – SAE “B” 2/4-Bolt Flange



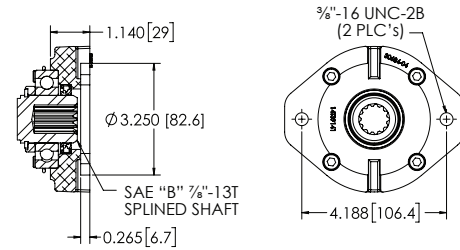
“L” Output – Special Flange



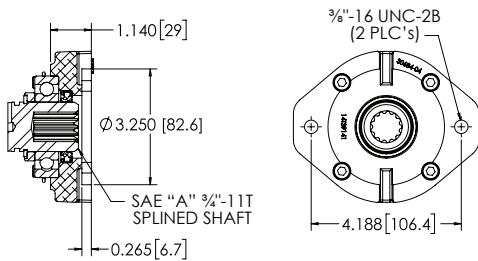
“R” Output – SAE “A” 2-Bolt Flange



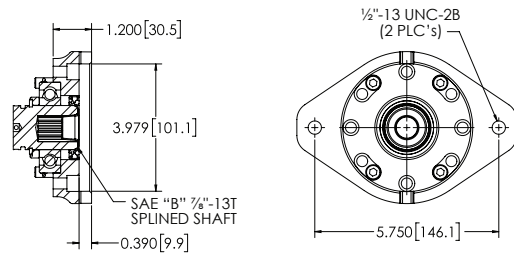
“Q” Output – SAE “A” 2-Bolt Flange



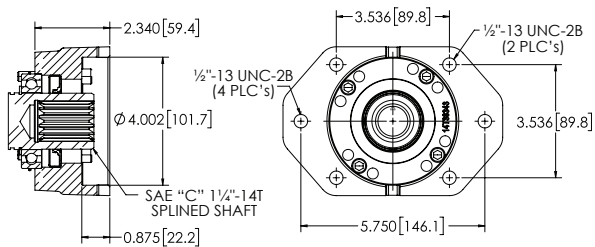
“T” Output – SAE “A” 2-Bolt Flange



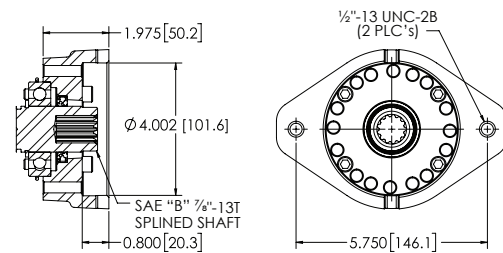
“S” Output – SAE “B” 2-Bolt Flange



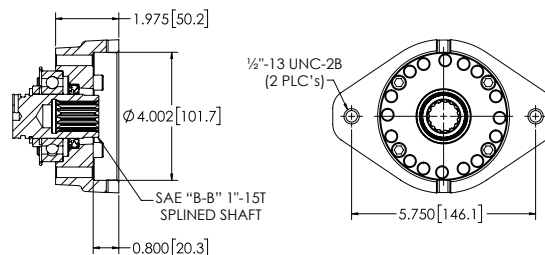
“Z” Output – SAE “B” 2/4-Bolt Flange



“6” Output – SAE “B” 2-Bolt Flange



“7” Output – SAE “B” 2-Bolt Flange



Gasket Kits

CS6GSK – CS6 Gasket Kit

PART NO.	QTY.	DESCRIPTION
11T36124	1	Seal
11T37790	1	Shaft Seal
12T34003	1	O-Ring
12T35774	2	O-Ring
12T35949	2	O-Ring
12T36054	1	O-Ring
12T36471	2	O-Ring
12T36472	1	O-Ring
12T36751	1	O-Ring
13M35091	1	Gasket
13M35092	1	Gasket
16T41119	1	Cover, Backlash
19T41118	4	Socket Head Capscrew

CS8GSK – CS8 Gasket Kit

PART NO.	QTY.	DESCRIPTION
11T36124	1	Seal
11T37790	1	Shaft Seal
12T34003	1	O-Ring
12T35774	2	O-Ring
12T35949	2	O-Ring
12T36054	1	O-Ring
12T36471	2	O-Ring
12T36751	1	O-Ring
13M35151	1	Gasket
13M35152	1	Gasket
16T41119	1	Cover, Backlash
19T41118	4	Socket Head Capscrew

CS6 Rebuild Kits

CS6RBK03 – CS6 Rebuild Kit (Ratio 03 & 04)

PART NO.	QTY.	DESCRIPTION
CS6GSK	1	CS6 Gasket Kit (less 12T35774)
10T21017	2	Bearing
10T34006	2	Bearing
10T34620	2	Thrust Bearing
10T36285	1	Bearing
13M13541	1	Gasket
18T34622	1	Spacer
21T29017	2	Thrust Washer
21T34621	4	Thrust Washer
21T36511	1	Washer
24T27240	1	Snap Ring
24T35480	2	Snap Ring
24T36470	1	Snap Ring
24T36894	1	Snap Ring
27T36173	4	Spring
27T38791	2	Spring
49T33563	7	Spacer DISC CS6/8
49T33564	8	Friction Disc F/PWR

CS6RBK05 – CS6 Rebuild Kit (RATIO 05-14 (PRE-2012))

PART NO.	QTY.	DESCRIPTION
CS6GSK	1	CS6 Gasket Kit (less 12T35949)
10T21017	2	Bearing
10T35776	2	Bearing
10T36285	1	Bearing
18T35781	1	Cone Spacer (SC306)
18T36229	1	Cone Spacer (SC306)
18T36230	1	Cone Spacer (SC306)
21T29017	2	Thrust Washer
21T36511	1	Washer
24T27240	1	Snap Ring
24T35480	2	Snap Ring
24T36470	1	Snap Ring
24T36894	1	Snap Ring
27T36173	4	Spring
27T38791	1	Spring
49T33563	7	Spacer Disc CS6/8
49T33564	8	Friction Disc F/P

CS6RBK05A – CS6 Rebuild Kit (Ratio 05 & 14) (2012+)

PART NO.	QTY.	DESCRIPTION
CS6RBK05*	1	CS6 Rebuild Kit
18T41439	1	Thrust Washer
18T41440	1	Thrust Washer
18T41441	1	Thrust Washer
18T41442	1	Thrust Washer
18T41443	1	Thrust Washer
18T41452	1	Thrust Washer
*Less - 12T36472, 18T35781, 18T36229, 18T36230		

CS6 Rebuild Kits

CS6RBK03IZ – CS6 Rebuild Kit (Ratio 03 & 04) (OUTPUT I, Z, D)

CS6RBK05IZ – CS6 Rebuild Kit (RATIO 05-14 (OUTPUT I, Z, D)

PART NO.	QTY.	DESCRIPTION
CS6RBK03*	1	CS6 Rebuild Kit (Ratio 03 & 04)
10T38248	1	Bearing, Output
11T64141	1	Oil Seal
12T36053	2	O-Ring
13M35151	1	Gasket
13M35152	1	Gasket
24T36040	1	Snap Ring
24T37951	1	Retaining Ring
27T36112	1	Spring
*Less - 10T21017, 11T37790, 12T36471, 13M13541, 13M35091, 13M35092, 24T36470, 27T38791		

PART NO.	QTY.	DESCRIPTION
CS6RBK05*	1	CS6 Rebuild Kit (Ratio 05-14)
10T38248	1	Bearing, Output
11T64141	1	Oil Seal
12T36053	2	O-Ring
13M35151	1	Gasket
13M35152	1	Gasket
24T36040	1	Snap Ring
24T37951	1	Retaining Ring
27T36112	1	Spring
*Less - 10T21017, 11T37790, 12T36471, 13M35091, 13M35092, 24T36470, 27T38791		

CS6RBKA6805 – CS6 Rebuild Kit

PART NO.	QTY.	DESCRIPTION
CS6RBK05	1	CS6 Rebuild Kit (Ratio 05-14)
10T34006	2	Bearing
10T34620	2	Thrust Bearing
21T34621	4	Thrust Washer

CS8 Rebuild Kits

CS8RBK03 – CS8 Rebuild Kit (Ratio 03 & 04)

PART NO.	QTY.	DESCRIPTION
CS8GSK	1	CS8 Gasket Kit (Less 12T35774)
10T21017	2	Bearing
10T34006	2	Bearing
10T34620	2	Thrust Bearing
10T36285	1	Bearing
21T29017	2	Thrust Washer
21T34621	4	Thrust Washer
21T36511	1	Washer
24T35480	2	Snap Ring
24T36470	1	Snap Ring
24T36894	1	Snap Ring
27T36112	1	SPRING
27T36173	4	SPRING
49T33563	7	Spacer Disc
49T33564	8	Friction Disc

CS8RBK05 – CS8 Rebuild Kit (RATIO 05-14 (PRE-2012))

PART NO.	QTY.	DESCRIPTION
CS8GSK	1	CS8 Gasket Kit (Less 12T35949)
10T21017	2	Bearing
10T35776	2	Bearing
10T36285	1	Bearing
12T36472	1	O-Ring
18T35781	1	Cone Spacer
18T36229	1	Cone Spacer
18T36230	1	Cone Spacer
21T29017	2	Thrust Washer
21T36511	1	WASHER
24T27240	1	Snap Ring
24T35480	2	Snap Ring
24T36470	1	Snap Ring
24T36894	1	Snap Ring
27T36112	1	Spring
27T36173	4	Spring
49T33563	7	Spacer Disc
49T33564	8	Friction Disc

CS8RBK05A – CS8 Rebuild Kit (Ratio 05 & 14) (2012+)

PART NO.	QTY.	DESCRIPTION
CS8RBK05*	1	CS8 Rebuild Kit (Ratios 05-14)
18T41439	1	Thrust Washer
18T41440	1	Thrust Washer
18T41441	1	Thrust Washer
18T41442	1	Thrust Washer
18T41443	1	Thrust Washer
18T41452	1	Thrust Washer
*Less - 12T36472, 18T35781, 18T36229, 18T36230		

CS8RBK03IZ – CS8 Rebuild Kit (Ratio 03 & 04) (OUTPUT I, Z, D)

PART NO.	QTY.	DESCRIPTION
CS8RBK03*	1	CS8 Rebuild Kit (Ratios 03 & 04)
10T38248	1	Bearing, Output
11T64141	1	Oil Seal
12T36053	2	O-Ring
13M35151	1	Gasket
13M35152	1	Gasket
24T36040	1	Snap Ring
24T37951	1	Snap Ring
27T36112	1	Spring
*Less - 11T37790, 12T36471, 13M13541, 13M35091, 13M35092, 24T36470, 27T38791		

CS8RBK05IZ – CS8 Rebuild Kit (RATIO 05-14 (OUTPUT I, Z, D))

PART NO.	QTY.	DESCRIPTION
CS8RBK05*	1	CS8 Rebuild Kit (Ratios 05-14)
10T38248	1	Bearing, Output
11T64141	1	Oil Seal
12T36053	1	O-Ring
24T36040	1	Snap Ring
24T37951	1	Snap Ring
*Less - 11T37790, 12T36471, 24T36470		

CB6/8 Gasket & Rebuild Kits

CB6GSK – CB6 Gasket Kit

PART NO.	QTY.	DESCRIPTION
CS6GSK*	1	CS6 Gasket Kit (Less 12T36054)
12T35343	2	O-Ring
12T39967	1	O-Ring

CB8GSK – CB8 Gasket Kit

PART NO.	QTY.	DESCRIPTION
CS8GSK*	1	CS8 Gasket Kit
12T35343	2	O-Ring
12T39967	1	O-Ring

CB6RBK03 – CB6 Rebuild Kit (Ratio 03 & 04)

PART NO.	QTY.	DESCRIPTION
CS6RBK03*	1	CS6 Rebuild Kit (Less 12T36472)
12T35343	2	O-Ring
12T39967	1	O-Ring
24T24315	1	Snap Ring
27T40389	1	Spring

CB8RBK03 – CB8 Rebuild Kit (Ratio 03 & 04)

PART NO.	QTY.	DESCRIPTION
CS8RBK03*	1	CS8 Rebuild Kit
18T34622	1	Spacer
27T40389	1	Spring

CB6RBK05 – CB6 Rebuild Kit (Ratio 05 & 14)

PART NO.	QTY.	DESCRIPTION
CS6RBK05*	1	CS6 Rebuild Kit (Less 12T36472)
12T35343	2	O-Ring
12T39967	1	O-Ring
24T24315	1	Snap Ring
27T40389	1	Spring

CB8RBK05 – CB8 Rebuild Kit (Ratio 05 & 14)

PART NO.	QTY.	DESCRIPTION
CS8RBK05*	1	CS8 Rebuild Kit (Less 12T36472)
12T35343	2	O-Ring
12T39967	1	O-Ring
24T24315	1	Snap Ring
27T40389	1	Spring

CB6RBK05A – CB6 Rebuild Kit (Ratio 05 & 14) (2012+)

PART NO.	QTY.	DESCRIPTION
CB6RBK05*	1	CB6 Rebuild Kit
18T41439	1	Thrust Washer
18T41440	1	Thrust Washer
18T41441	1	Thrust Washer
18T41442	1	Thrust Washer
18T41443	1	Thrust Washer
18T41452	1	Thrust Washer
*Less - 18T35781, 18T36229, 18T36230		

CB8RBK05A – CB8 Rebuild Kit (Ratio 05 & 14) (2012+)

PART NO.	QTY.	DESCRIPTION
CB8RBK05*	1	CB8 Rebuild Kit
18T41439	1	Thrust Washer
18T41440	1	Thrust Washer
18T41441	1	Thrust Washer
18T41442	1	Thrust Washer
18T41443	1	Thrust Washer
18T41452	1	Thrust Washer
*Less - 18T35781, 18T36229, 18T36230		

The CS6 & CS8 PTOs include mounting kit, special shim/gasket, wiring harness, dash bracket kit, and installation instructions. Additional components may be necessary for proper installation. Please refer to application catalog and read and understand the instruction manual. This installation does not require any special tools. The PTO is available with an optional pulse generator pickup for use with the Muncie Power digital tachometer 38MK2000 (request MP92-04) or the SPD-1001 Muncie Power overspeed switch. The SPD-1001 is designed to control the engagement speed and provide overspeed protection of the PTO. Contact your Muncie Power Products Application Specialist for assistance with these options.

Notes



**Muncie[®]
Power
Products**

A Member of the Interpump Group

SP96-05 (Rev. 08-20)

201 East Jackson Street • Muncie, Indiana 47305
800-367-7867 • Fax 765-284-6991 • info@munciepower.com • www.munciepower.com
Specifications are subject to change without notice. Visit www.munciepower.com
for warranties and literature. All rights reserved. © Muncie Power Products, Inc. (2009)