

TOTO® CT708E(G) & CT708EV(G)

Wall-Mounted Flushometer Toilet, 1.28GPF when used with High Efficiency Flushometer Valve

FEATURES

- Wall-mounted outlet
- Elongated front bowl
- Optional CeFiONtect™ ceramic glaze - prevents debris, and mold from sticking to ceramic surfaces, leading to fewer chemicals and less water in cleaning.

MODELS

- CT708E
Commercial wall-mounted toilet with 1-1/2' top spud inlet, less seat
- CT708EG
Commercial wall-mounted toilet with 1-1/2' top spud inlet, less seat with CeFiONtect ceramic glaze
- CT708EV
Commercial wall-mounted toilet with 1-1/2' back spud inlet, less seat
- CT708EVG
Commercial wall-mounted toilet with 1-1/2' back spud inlet, less seat with CeFiONtect ceramic glaze
- SC534 seat (sold separately)
- SC134 seat (sold separately)
- THU111 Retro-fit mounting bolt cap set (4 pcs sold separately)



FLUSHOMETER VALVES (sold separately)			
Manual		EcoPower®	
1.28 GPF	1.6 GPF	1.28 GPF	1.6 GPF
TMT1LN32#CP	TMT1NNC-32	TET1LN32#CP	TET1GNC-32#CP
		TET6LN32#CP	TET6GNC-32#CP
		TET3LN31#SS	TET3GN31#SS
		TET2LN31#SS	TET2GN31#SS

CT708E

CT708EV



PRODUCT SPECIFICATION

The wall-mounted, low consumption siphon jet flushing system toilet shall be 1.28GPF/4.8LPF when paired with a 1.28GPF flushometer valve and 1.6GPF/6.0LPF when paired with 1.6GPF/6.0LPF flushometer valve. Toilet shall have optional CeFiONtect ceramic glaze. Toilet can be mounted at ADA height. Toilet shall be elongated front bowl. Toilet shall be TOTO Model CT708E_____.

COLORS/FINISHES

- #01 Cotton
- #03 Bone
- #12 Sedona Beige

CODES/STANDARDS

- Meets and exceeds ASME A112.19.2/CSA B45.1
- Certifications: IAPMO (cUPC), State of Massachusetts, City of Los Angeles, and others
- Code compliance: UPC, IPC, NSPC, NPC Canada, and others
- ADA Compliant



CT708E(G) & CT708EV(G)

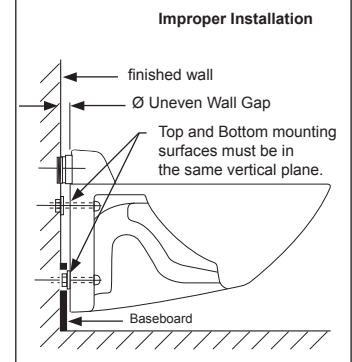
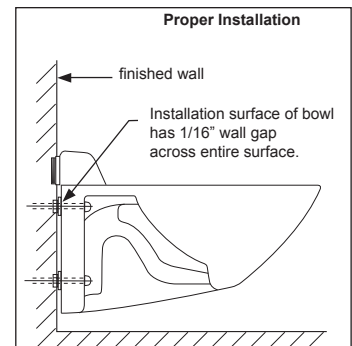
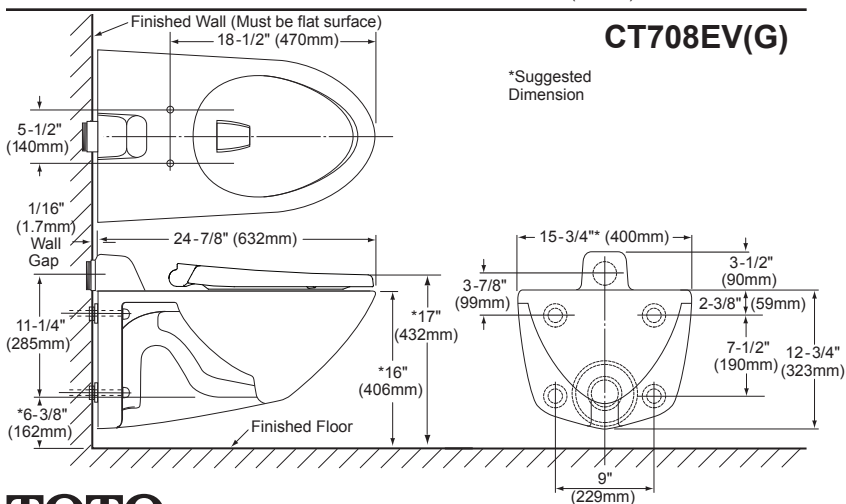
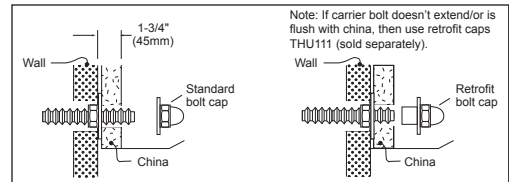
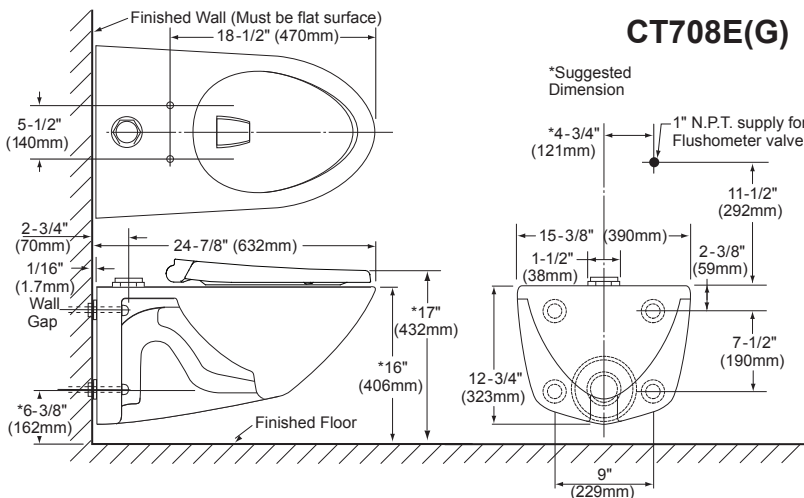
Wall-Mounted Flushometer Toilet, 1.28GPF when used with High Efficiency 1.28GPF Flushometer Valve

SPECIFICATIONS

- Water Use 1.28GPF/4.8LPF (or 1.6GPF/6.0LPF when used with 1.6GPF flush valve)
- Flush System Siphon jet flushing action
- Min. Water Pressure 35 psi (flowing)
- Min. Flow Rate 23 GPM
- Water Surface 12" x 9-1/4"
- Trap Diameter 2-1/8"
- Trap Seal 2-5/8"
- Warranty One Year Limited Warranty
- Material Vitreous china
- Shipping Weight CT708E(G) - 49lbs
CT708EV(G) - 53.5lbs
- Shipping Dimensions CT708E(G)
17-1/8" L x 16" W x 26" H
CT708EV(G)
15-1/2" L x 15-1/2" W x 26-3/8" H

INSTALLATION NOTES

- Spuds are unique for TOTO product. For replacement spuds, contact TOTO for part number THU073R



TOTO

These dimensions and specifications are subject to change without notice

TOTO®

CT705ELN(G)

Flushometer ADA Toilet, 1.28GPF when used with High Efficiency Flushometer Valve

FEATURES

- Floor-mounted
- ADA compliant
- Elongated front bowl
- Optional CeFiONtect™ ceramic glaze - prevents debris, mold and bacteria from sticking to ceramic surfaces, leading to fewer chemicals and less water in cleaning.
- 10"-12" rough-in

MODELS

- CT705ELNG
Commercial ADA compliant, floor-mounted toilet with CeFiONtect ceramic glaze
- CT705ELN
Commercial ADA compliant floor-mounted toilet

ADDITIONAL ITEMS (sold separately)

- SC534 seat
- SC134 seat

FLUSH VALVES			
EcoPower®		Manual	
TET1LN32#CP	1.28GPF	TMT1LN32#CP	1.28GPF
TET1GNC-32	1.6GPF	TMT1NNC-32	1.6GPF
TET6LN32#CP	1.28GPF		
TET6GNC-32	1.6GPF		
TET3LN32#SS	1.28GPF		
TET3GN32#SS	1.6GPF		
TET2GN32#SS	1.6GPF		
TET2LN32#SS	1.28GPF		

COLORS/FINISHES

- Standard
 - #01 Cotton
 - #03 Bone (not available with CeFiONtect)
 - #12 Sedona Beige (not available with CeFiONtect)

PRODUCT SPECIFICATION

The floor-mounted, ADA compliant, low consumption siphon jet flushing toilet shall be 1.28GPF/4.8LPF when paired with a 1.28GPF flushometer valve and 1.6GPF/6.0LPF when paired with 1.6GPF/6.0LPF flushometer valve. Toilet shall be elongated front bowl and CeFiONtect ceramic glaze (CT705ELNG). Toilet shall be TOTO Model CT705ELN_____.



 CeFiONtect

CODES/STANDARDS

- Meets and exceeds ASME A112.19.2/CSA B45.1, ASME A112.19.14,
- Certifications: IAPMO(cUPC), State of Massachusetts, City of Los Angeles, and others
- Code compliance: UPC, IPC, NSPC, NPC Canada, and others
- ADA compliant



CT705ELN(G)

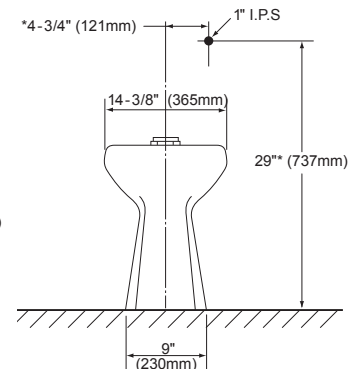
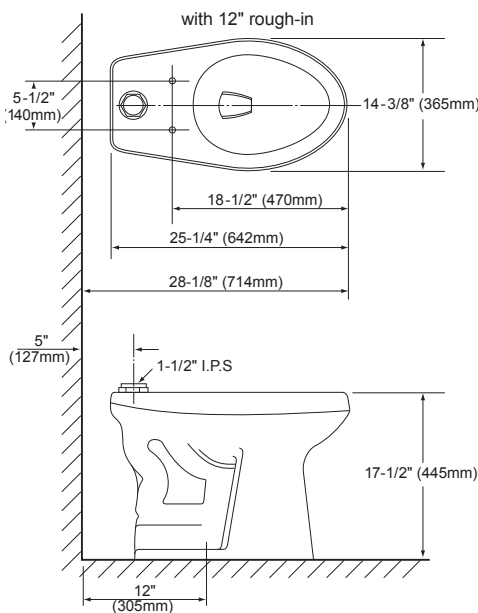
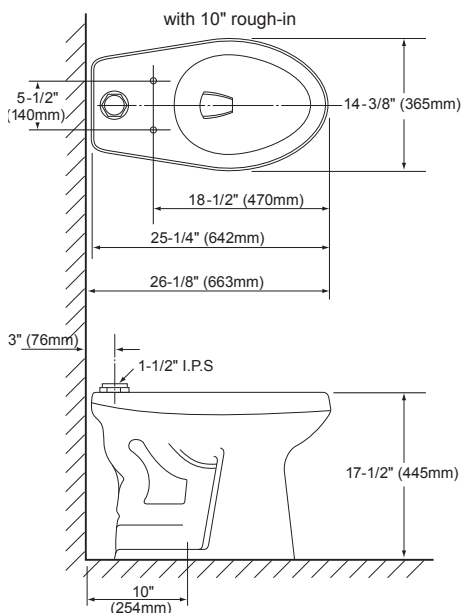
Flushometer ADA Toilet, 1.28GPF when used with High Efficiency 1.28GPF Flushometer Valve)

SPECIFICATIONS

- Water Use 1.28GPF/4.8LPF (or 1.6GPF/6.0LPF when used with 1.6GPF flush valve)
- Flush System Siphon jet flushing action
- Min. Water Pressure 35 psi (flowing)
- Min. Flow Rate 23 GPM
- Water Surface 10-3/4" x 9-1/4"
- Trap Diameter 1-7/8"
- Rough-in 12", or 10"
- Trap Seal 2-3/8"
- Warranty One Year Limited Warranty
- Material Vitreous china
- Shipping Weight CT705ELN(G) - 56.5lbs
- Shipping Dimensions CT705ELN(G) 26-1/2" L x 9-1/2" W¹ x 16-1/4" W² x 19-1/2" H

INSTALLATION NOTES

- Spuds are unique for TOTO product. For replacement spuds, contact TOTO for part number THU073R



TOTO

These dimensions and specifications are subject to change without notice

0.5GPF Low Consumption Washout Urinal

FEATURES

- 0.5GPF
- Compact urinal with concealed integral trap
- Washout flush action with 3/4" top or back spud inlet

MODELS

- UT104E
Urinal with 3/4" top spud inlet
- UT104EV
Urinal with 3/4" back spud inlet

ADDITIONAL ITEMS (sold separately)

- THU3010
Stainless Steel Urinal Drain Cover

RECOMMENDED FLUSH VALVES		
UT104E		UT104EV
EcoPower®	Manual	EcoPower®
TEU1LN12#CP	TMU1LN12#CP	TEU2LN11#SS
		TEU3LN11#SS



COLORS/FINISHES

- Standard
 - #01 Cotton
 - #03 Bone
 - #12 Sedona Beige

PRODUCT SPECIFICATION

The wall-mounted, ADA compliant, low consumption washout urinal shall be 0.5GPF/1.9LPF when paired with a 0.5GPF flushometer valve and 1.0GPF/3.8LPF when paired with 1.0GPF/3.8LPF flushometer valve. Urinal specified shall be model UT104E_____.

CODES/STANDARDS

- Meets and exceeds ASME A112.19.2/CSA B45.1,
- Certifications: IAPMO(cUPC), State of Massachusetts, City of Los Angeles
- Code compliance: UPC, IPC, NSPC, NPC Canada, and others
- Legislative compliance: California AB715, California Green Building Code
- ADA compliant



UT104E(V)

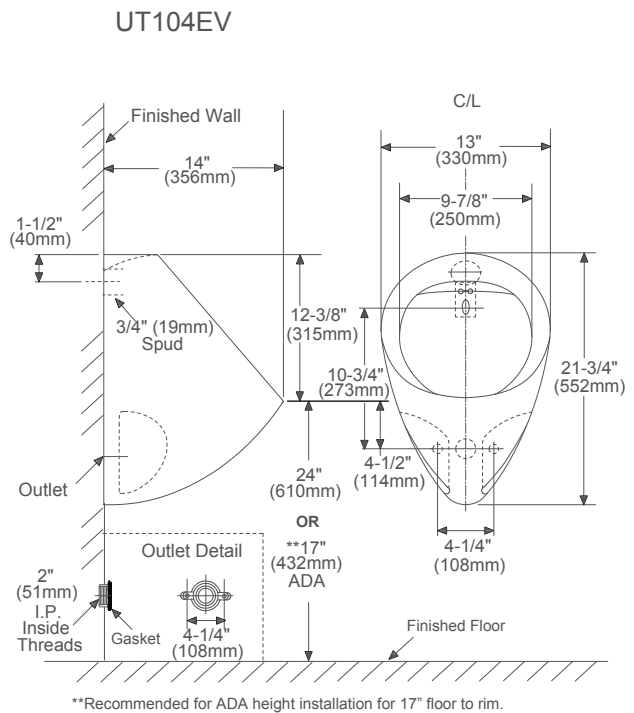
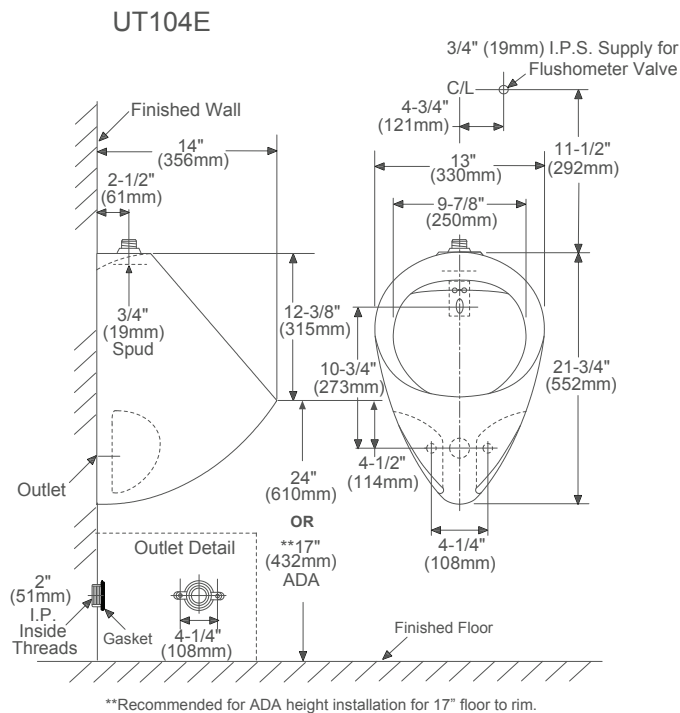
0.5GPF Low Consumption Washout Urinal

SPECIFICATIONS

- Water Use 0.5GPF/1.9LPF
- Flush System Washout flush action
- Warranty One Year Limited Warranty
- Material Vitreous china
- Min. Water Pressure 15 psi (flowing)
- Height (Urinal Only) 21-3/4"
- Width 13"
- Rim 14"
- Shipping Weight UT104E(V) - 34.5lbs
- Shipping Dimensions UT104E(V)
24" L x 13-3/4" W x 15-1/8" H

INSTALLATION NOTES

Adjust angle stop accordingly to prevent overflow.
Confirm with local codes and standards for floor drain requirement.



FEATURES

- Compact urinal with concealed integral trap
- Washout flush action
- Top spud inlet
- Can be mounted at ADA compliant height

MODELS

- UE930#01
Lloyd urinal and electronic flush valve

COMPONENTS

- UT930
Lloyd urinal only
- TEY1DNC-42
Lloyd electronic flush valve only,
1.0GPF or less

COLORS/FINISHES

- Standard
#01 Cotton

PRODUCT SPECIFICATION

Urinal shall be made of vitreous china. The wall-mounted, ADA compliant, washout urinal shall be 1.0GPF or less when paired with TEY1DNC-42 flushometer valve. Urinal specified shall be model UE930_____.



CODES/STANDARDS

- Meets and exceeds ASME A112.19.2/CSA B45.1,
- Certifications: IAPMO(cUPC), State of Massachusetts, City of Los Angeles
- Code compliance: UPC, IPC, NSPC, NPC Canada, and others
- ADA compliant

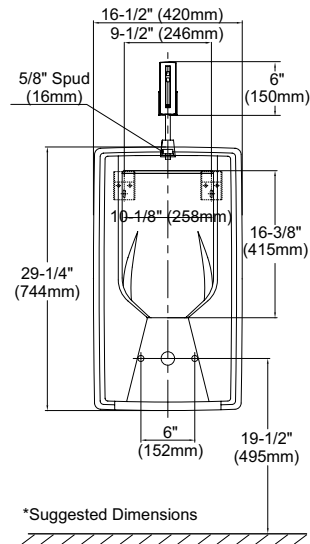
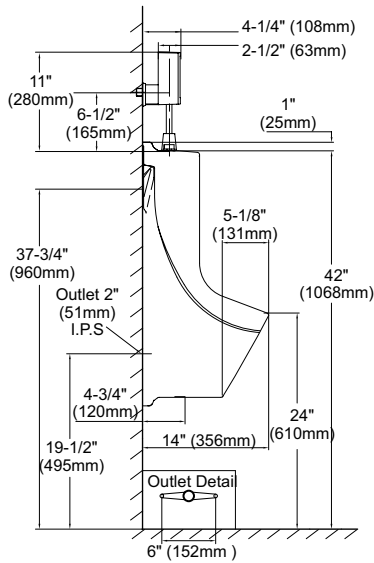


SPECIFICATIONS

- Water Use 0.5GPF - 1.0GPF
- Flush System Spreader nozzle
- Warranty One Year Limited Warranty
- Material Vitreous china
- Min. Water Pressure 15 psi (flowing)
- Height (Urinal Only) 29-1/4"
- Width 16-1/2"
- Rim 14"
- Shipping Weight UE930 - 57.3lbs
- Shipping Dimensions UE930
30-5/16" L x 15-1/8"
W x 17-3/4" H

INSTALLATION NOTES

Recommended Carrier:
Jay R. Smith 0636 (Wall Hanger)
0637 (Wall Hanger with bottom)



*Suggested Dimensions

High-Efficiency 1/8 GPF Washout Urinal

FEATURES

- Compact urinal with concealed integral trap
- Washout flush action with 3/4" top or back spud inlet
- Complete with low profile dome strainer
- Optional CeFiONtect™ ceramic glaze - CeFiONtect glaze prevents debris and mold from sticking to ceramic surfaces, leading to fewer chemicals.

MODELS

- UT105U
Urinal with 3/4" top spud inlet
- UT105UG
Urinal with 3/4" top spud inlet and CeFiONtect
- UT105UV
Urinal with 3/4" back spud inlet
- UT105UVG
Urinal with 3/4" back spud inlet and CeFiONtect

RECOMMENDED FLUSH VALVES	
UT105U(G)	UT105UV(G)
TEU1UN12#CP	TEU2UN11#SS
	TEU3UN11#SS

COLORS/FINISHES

- #01 Cotton (CeFiONtect optional)
- #03 Bone (special order only)
- #12 Sedona Beige (special order only)

PRODUCT SPECIFICATION

The wall-mounted, ADA compliant, high-efficiency washout urinal shall be 0.125GPF/0.47LPF when paired with a 0.125GPF flushometer valve. Urinal shall have optional CeFiONtect ceramic glaze. Urinal specified shall be model UT105U__.



 **CeFiONtect**

 **D+ Dual-Max**

CODES/STANDARDS

- Meets and exceeds ASME A112.19.2/CSA B45.1,
- Certifications: IAPMO(cUPC), State of Massachusetts, City of Los Angeles
- Code compliance: UPC, IPC, NSPC, NPC Canada, and others
- Legislative Compliance: California AB715, CALGreen Title 24, California Energy Commission Standards
- ADA compliant



UT105U(V)(G)

High-Efficiency 1/8 GPF Washout Urinal

SPECIFICATIONS

• Water Use	0.125GPF/0.47LPF
• Flush System	Washout flush action
• Warranty	One Year Limited Warranty
• Material	Vitreous china
• Min. Water Pressure	15 psi (flowing)
• Height (Urinal Only)	21-3/4"
• Width	12-1/4"
• Rim	14"
• Shipping Weight	UT105U(V)(G) - 37.5lbs
• Shipping Dimensions	UT105U(V)(G) 24" L x 13-3/4" W x 17" H

INSTALLATION NOTES

Install this product according to the installation guide.

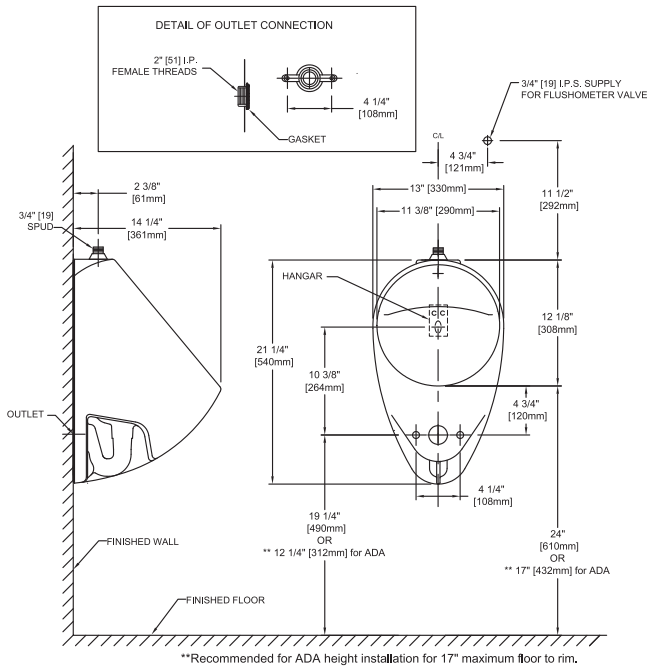
Refer to manufacturer's instructions and local codes for flushometer requirements.

Will comply with ADA when installed per Section 605 - Urinals of the ADA 2010 Accessible Design Standard with maximum rim height of 17" and minimum depth of 13-1/2".

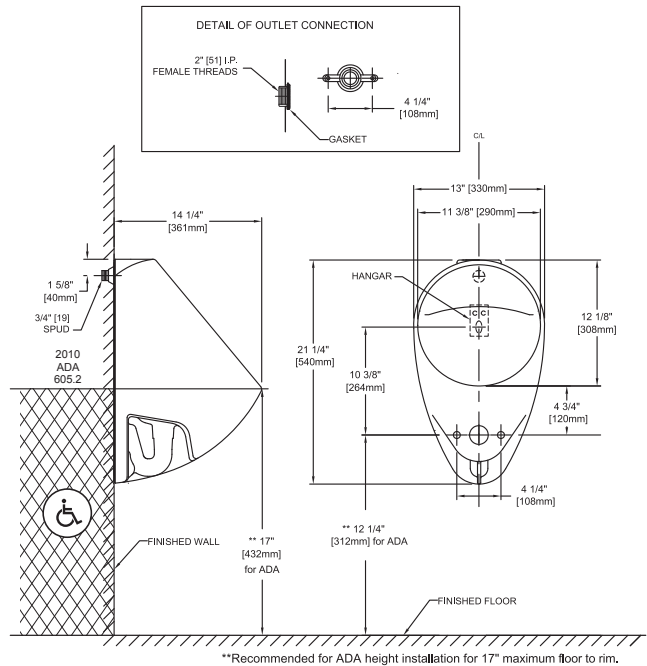
Will comply with CSA B651 when installed per Clause 6.2.8 Urinals of the CSA 2012 Accessible Design Standard with maximum rim height of 17" and minimum depth of 13-1/2".

Ultra-low high efficiency urinals require a system with a minimum 2% slope. Maximum drainage capacity rated at 6.6 gal/min (25 L/min). Adjust angle stop accordingly to prevent overflow. Confirm with local codes and standards for floor drain requirement.

Top Spud Installation



Back Spud Installation



0.125GPF High-Efficiency Washout Urinal

FEATURES

- Full size urinal with concealed integral trap
- Washout flush action with 3/4" top or back spud inlet
- 0.125 GPF with any TOTO flush valve shown below
- Complete with low profile dome strainer

MODELS

- UT445U
Urinal with 3/4" top spud inlet
- UT445UV
Urinal with 3/4" back spud inlet

ADDITIONAL ITEMS (sold separately)

RECOMMENDED FLUSH VALVES	
UT445U	UT445UV
EcoPower® Flush Valve	EcoPower®
TEU1UN12#CP	TEU2UN11#SS - 14" x 12"
	TEU3UN11#SS - 4" x 4"

COLORS/FINISHES

- #01 Cotton

PRODUCT SPECIFICATION

The wall-mounted, ADA compliant, high-efficiency washout urinal shall be 0.125GPF/0.473LPF when paired with a TOTO 0.125GPF flushometer valve. Urinal specified shall be **TOTO Model UT445U**__.

Flush valve specified shall be **TOTO Model** _____.



UT445U

Shown with TEU1UN12

UT445UV

Shown with TEU2UN11

CODES/STANDARDS

- Meets and exceeds ASME A112.19.2/CSA B45.1,
- Certifications: IAPMO(cUPC), State of Massachusetts, City of Los Angeles
- Code compliance: UPC, IPC, NSPC, NPC Canada, and others
- Legislative Compliance: California AB715, CALGreen Title 24, California Energy Commission Standards
- ADA compliant



UT445U(V)

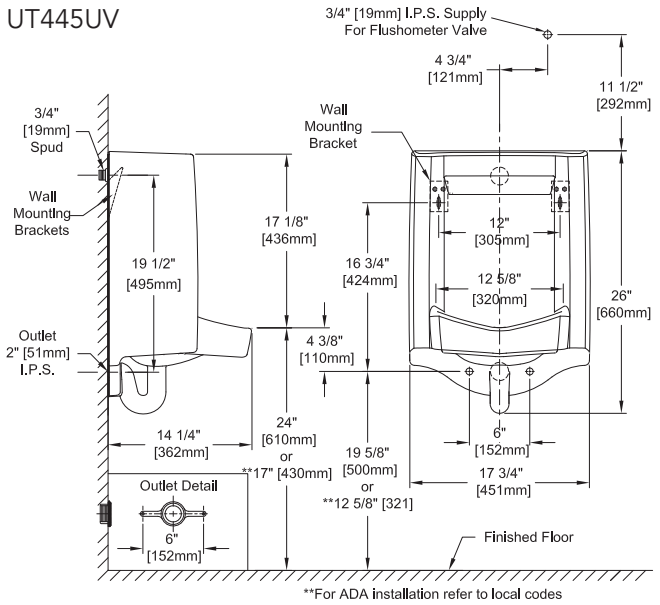
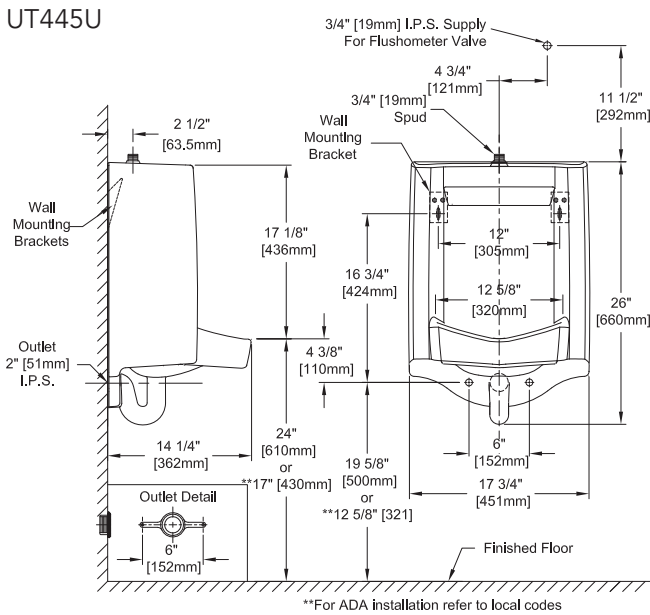
0.125GPF High-Efficiency Washout Urinal

SPECIFICATIONS

- Water Use 0.125GPF/0.473LPF
- Flush System Washout flush action
- Warranty One Year Limited Warranty
- Material Vitreous china
- Min. Water Pressure 15 psi (flowing)
- Height (Urinal Only) 26"
- Width 17-3/4"
- Rim 14-1/4"
- Shipping Weight UT445U(V) - 60lbs
- Shipping Dimensions UT445U(V)
29" L x 18" W x 16" H

INSTALLATION NOTES

Ultra-low high efficiency urinals require a system with a minimum 2% slope. Maximum drainage capacity rated at 6.6 gal/min (25 L/min). Adjust angle stop accordingly to prevent overflow. Confirm with local codes and standards for floor drain requirement.



TOTO

These dimensions and specifications are subject to change without notice

EcoPower® Urinal Flushometer Valve, 1.0 gpf

FEATURES

- Hydropower self-generating system
- Electronic flushometer valve, neutral rough-in, complete with 3/4" angle stop and 1-1/4" or 3/4" vacuum breaker set
- 1.0 gpf or less
- Manual override button
- 24 hour automatic flush for trap seal protection

MODELS

- TEU1GNC
Valve only, Left and right rough,
Polished Chrome finish
- TEU1GNC-12 (3/4" Vacuum breaker)
Left and right rough, Polished Chrome finish
Complete set supplied with:
Vacuum breaker & angle stop set - VB9CP-12
 - 3/4" Angle stop - 10077t4
 - 3/4" Vacuum breaker - 10075t2
 - Spud nut & escutcheon - 71051Nt5
 - Sweat solder kit - TH559EDVSJ1
- TEU1GNC-22 (1-1/4" Vacuum breaker)
Left and right rough, Polished Chrome finish
Complete set supplied with:
Vacuum breaker & angle stop set - VB9CP-22
 - 3/4" Angle stop - 10077t4
 - 1-1/4" Vacuum breaker - 10075t5
 - Spud nut & escutcheon - 71051Nt5
 - Sweat solder kit - TH559EDVSJ1
- Optional Part:
Z-4000-J - Adapter for ground joint angle stops

COLORS/FINISHES

- #CP Polished Chrome

CODES/STANDARDS

- Meets or exceeds ASSE 1037, CSA B125.3
- Certifications: IAPMO(cUPC), ASSE, State of Massachusetts, City of Los Angeles, and others
- Code Compliance: UPC, IPC, NSPC, NPC Canada, and others
- ADA compliant



Piston Valve

PRODUCT SPECIFICATION

TOTO® Model No. _____
Automatic infrared sensor activated, urinal flush valve. Heavy-duty zinc die cast cover with polished chrome finish. Vandal resistant hex head screws. Low water consumption of 1.0 gallon per flush. Automatic sensor adjustment on installation. Manual override button incorporated. Piston valve and solenoid with self-cleaning mechanism. Automatic flush every twenty four hours if not used. Angle stop and vacuum breaker included with accessories. Through the use of TOTO's EcoPower® Flush Valves, using the valve 12 flushes per day will fully recharge the valve for up to 10 years.

TEU1GNC Series

EcoPower® Urinal Flushometer Valve, 1.0 gpf

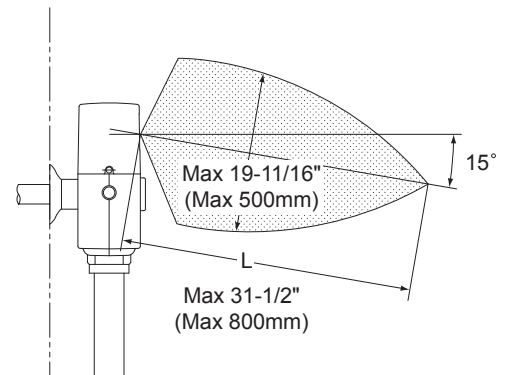
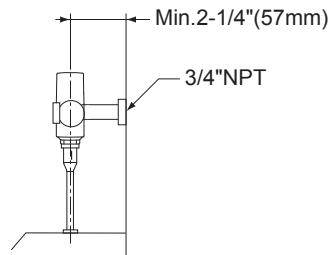
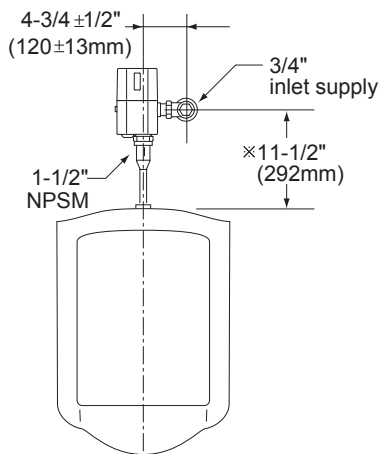
SPECIFICATIONS

- Warranty Three Year Warranty
- Material Bronze casting with polished chrome finish
- Power Supply Hydropower self-generating system
- Water Supply 3/4" NPT
- Detection time Factory setting at six (6) seconds minimum
- Detection range Self-adjusting to environment
- Discharge quantity Preset to 1.0 gpf / 3.8 lpf
- Operating temperature 32°-104°F (0°-40°C)
- Supply water pressure 15 psi - 125 psi*
- Trap seal protection Automatically flushes once after twenty-four (24) hours of non-use

These specifications are subject to change without notice.
 *Water pressures over 80 psi are not recommended for most plumbing fixtures.
 Check your local plumbing code for details.

NOTES

TOTO's 1.0 gpf EcoPower flush valves use "Fuzzy Logic" technology to offer further water conservation. The flush valve's microprocessor measures the duration and frequency of use, then calculates the appropriate average volume per flush. In facilities with frequent use, the flush valve issues less water per flush with a full flush occurring every 5 uses. In facilities with infrequent use, the valve delivers the full flush every time.



*Check local codes

TOTO®

These dimensions and specifications are subject to change without notice

EcoPower® Toilet Flushometer Valve, 1.6 gpf

FEATURES

- Hydropower self-generating system
- Electronic flushometer valve, neutral rough-in, complete with 1" angle stop and 1-1/2" vacuum breaker set
- 1.6 gpf or less
- Manual override button
- 24 hour automatic flush for trap seal protection

MODELS

- TET1GNC
Valve only, Left and right rough,
Polished Chrome finish
- TET1GNC-32 (1-1/2" Vacuum breaker)
Left and right rough, Polished Chrome finish
Complete set supplied with:
Vacuum breaker & angle stop set - VB9CP-32
 - 1" Angle stop - 10077t3
 - 1-1/2" Vacuum breaker - 10075t1
 - Spud nut & escutcheon - 71051Nt6
 - Sweat solder kit - TH559EDVSJ3
- Optional Part:
Z-4000-J - Adapter for ground joint angle stops



Piston Valve

COLORS/FINISHES

- #CP Polished Chrome

CODES/STANDARDS

- Meets or exceeds ASSE 1037, CSA B125.3
- Certifications: IAPMO(cUPC), ASSE, State of Massachusetts, City of Los Angeles, and others
- Code Compliance: UPC, IPC, NSPC, NPC Canada, and others
- ADA compliant



PRODUCT SPECIFICATION

TOTO® Model No. _____
Automatic infrared sensor activated, toilet flush valve. Heavy-duty zinc die cast cover with polished chrome finish. Vandal resistant hex head screws. Low water consumption of 1.6 gallons per flush. Automatic sensor adjustment on installation. Manual override button incorporated. Piston valve and solenoid with self-cleaning mechanism. Automatic flush every twenty four hours if not used. Angle stop and vacuum breaker included with accessories. Through the use of TOTO's® EcoPower Flush Valves™, using the valve 12 flushes per day will fully recharge the valve for up to 10 years.

TET1GNC Series

EcoPower® Toilet Flushometer Valve, 1.6 gpf

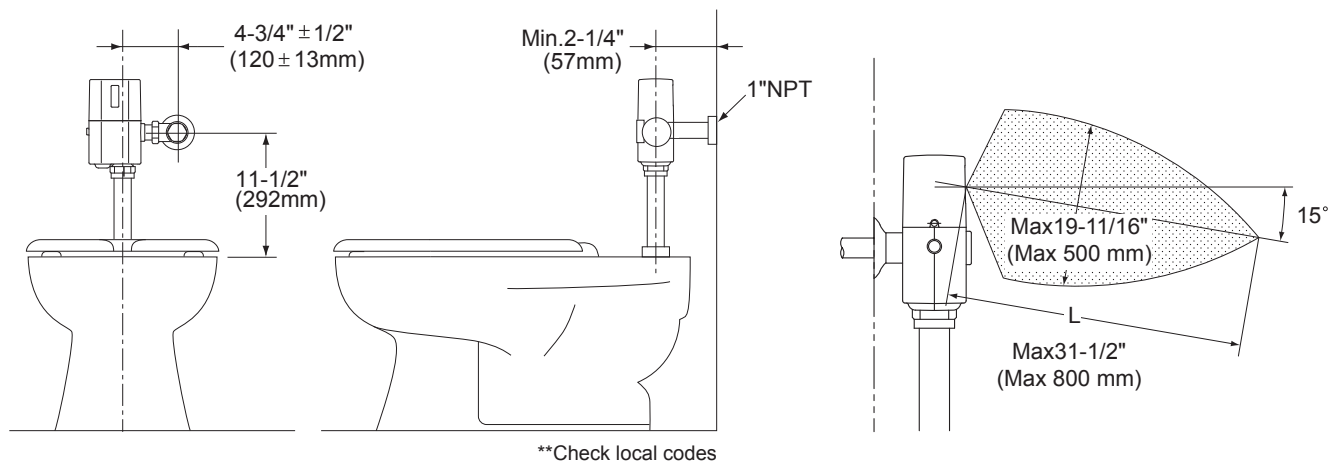
SPECIFICATIONS

- Warranty Three Year Warranty
- Material Bronze casting with polished chrome finish
- Power Supply Hydropower self-generating system
- Water Supply 1" NPT
- Detection time Factory setting at six (6) seconds minimum
- Detection range Self-adjusting to environment
- Discharge quantity Preset to 1.6 gpf / 6.0 lpf
- Supply water pressure 15 psi - 125 psi*
- Trap seal protection Automatically flushes once after twenty-four (24) hours of non-use

These specifications are subject to change without notice.
 *Water pressures over 80 psi are not recommended for most plumbing fixtures.
 Check your local plumbing code for details.

INSTALLATION NOTES

- *Alternate ADA Installation
 Mount grab bar at the 36" (914mm) maximum allowed height or use the split grab bars.



TOTO®

These dimensions and specifications are subject to change without notice

1/8 GPF Urinal EcoPower® Flushometer Valve

FEATURES

- Electronic flushometer valve, neutral rough-in, complete with 3/4" angle stop and 3/4" vacuum breaker set
- Hydropower self-generating system
- 1/8 GPF or less
- Manual override button
- 12 hour automatic flush for trap seal protection

MODELS

- TEU1UN#CP
Valve only, Left and right rough, Chrome plated finish
- TEU1UN12#CP (3/4" Vacuum breaker)
Left and right rough, Polished Chrome finish
Complete set supplied with:
Vacuum breaker & angle stop set - VB9CP-12
 - 3/4" Angle stop - 10077t4
 - 3/4" Vacuum breaker - 10075t2
 - Spud nut & escutcheon - 71051Nt5
 - Sweat solder kit - TH559EDVSJ1
- Optional Part:
Z-4000-J - Adapter for ground joint angle stops

COLORS/FINISHES

- #CP Chrome

CODES/STANDARDS (to be listed)

- Meets or exceeds ASSE 1037, CSA B125.3
- Certifications: IAPMO(cUPC), ASSE, State of Massachusetts, and others
- Code Compliance: UPC, IPC, NSPC, NPC Canada, California AB715, California Green Building Code and others
- ADA compliant



PRODUCT SPECIFICATION

TOTO® Model No. _____
Automatic infrared sensor activated, urinal flush valve. Heavy-duty zinc die cast cover with nickel chrome finish. Vandal resistant hex head screws. Automatic sensor adjustment on installation. Manual override button incorporated. Solenoid with self-cleaning mechanism. Automatic flush every twelve hours if not used. Angle stop and vacuum breaker included with accessories.

TEU1UN Series

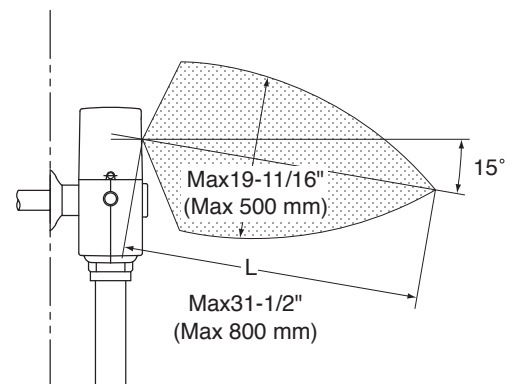
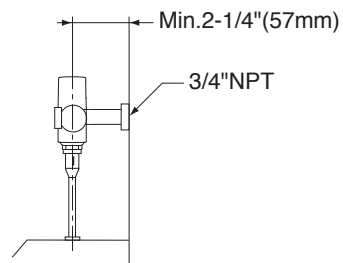
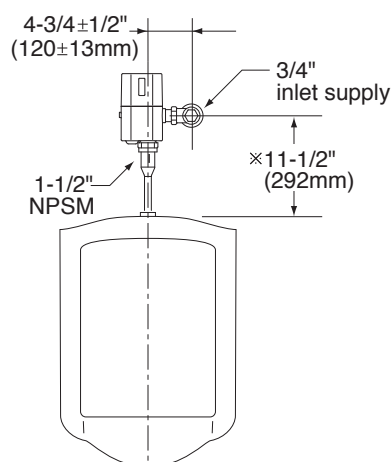
1/8 GPF Urinal EcoPower® Flushometer Valve

SPECIFICATIONS

- Warranty Three Year Warranty
- Material Bronze casting
- Power Supply Hydro-Power Charge
- Water Supply 3/4" NPT
- Detection time Factory setting at six (6) seconds minimum
- Detection range Self-adjusting to environment
- Discharge quantity Preset to 1/8 gpf / 0.47 lpf
- Operating temperature 32°-104°F (0°-40°C)
- Supply water pressure 15 psi - 125 psi*
- Trap seal protection Automatically flushes once after twelve (12) hours of non-use

These specifications are subject to change without notice.

*Water pressures over 80 psi are not recommended for most plumbing fixtures. Check your local plumbing code for details.



*Check local codes

TOTO

These dimensions and specifications are subject to change without notice

EcoPower® Toilet Flushometer Valve, 1.6 gpf

FEATURES

- Hydropower self-generating system
- Electronic flushometer valve complete with 1" angle stop and 1-1/2" vacuum breaker set
- 1.6 gpf or less
- Back spud floor, top spud and back spud wall models - concealed 14" x 12" Cover plate
- 24 hour automatic flush for trap seal protection

MODELS

- TET2GN#SS
Valve only, Surface mount, Satin finish
- TET2GN31#SS (1-1/2" Vacuum breaker)
Back spud wall, Satin finish
Complete set supplied with:
Vacuum breaker & angle stop set - VB13RB-31 (Back spud wall)
 - 1" Angle stop - 10077t5
 - 1-1/2" Vacuum breaker - 10075t4
 - Outlet tube - TH559EDV176
 - Sweat solder kit - SJ3
- TET2GN32#SS (1-1/2" Vacuum breaker)
Top spud, Satin finish
Complete set supplied with:
Vacuum breaker & angle stop set - VB9RB-32 (Top spud)
 - 1" Angle stop - 10077t5
 - 1-1/2" Vacuum breaker - 10075t3
 - Outlet tube - TH559EDV177
 - Sweat solder kit - SJ3
- TET2GN33#SS (1-1/2" Vacuum breaker)
Back spud floor, Satin finish
Complete set supplied with:
Vacuum breaker & angle stop set - VB13RB-33 (Back spud floor)
 - 1" Angle stop - 10077t5
 - 1-1/2" Vacuum breaker - 10075t4
 - Outlet tube - TH559EDV175
 - Sweat solder kit - SJ3
- Optional Part:
Z-4000-J - Adapter for ground joint angle stops

COLORS/FINISHES

- #SS Stainless Steel Satin finish

CODES/STANDARDS

- Meets or exceeds ASSE 1037, CSA B125.3
- Certifications: IAPMO(cUPC), ASSE, State of Massachusetts, City of Los Angeles, and others
- Code Compliance: UPC, IPC, NSPC, NPC Canada, and others
- ADA compliant



Piston Valve

PRODUCT SPECIFICATION

TOTO® Model No. _____
Automatic Infrared sensor activated, toilet valve. Heavy-duty 14" x 12" cover plate with stainless steel satin finish and vandal resistant mounting screws. Low water consumption of 1.6 gallons per flush. Piston valve with stainless steel self-cleaning debris screen and self-cleaning solenoid. Automatic flush every twenty four hours if not used. Electrical sensor separated from valve and sealed in a waterproof compartment. Manual override button incorporated. Through the use of TOTO's EcoPower® Flush Valves, using the valve 12 flushes per day will fully recharge the valve for up to 10 years.

TET2GN Series

EcoPower® Toilet Flushometer Valve, 1.6 gpf

SPECIFICATIONS

- Warranty Three Year Warranty
- Material Bronze casting with stainless steel satin finish
- Power Supply Hydropower self-generating system
- Water Supply 1" NPT
- Detection time Factory setting at six (6) seconds minimum
- Detection range Self-adjusting to environment
- Discharge quantity Preset to 1.6 gpf / 6.0 lpf
- Operating temperature 32°-104°F (0°-40°C)
- Supply water pressure 15 psi - 125 psi*
- Trap seal protection Automatically flushes once after twenty four (24) hours of non-use

These specifications are subject to change without notice.
 *Water pressures over 80 psi are not recommended for most plumbing fixtures.
 Check your local plumbing code for details.

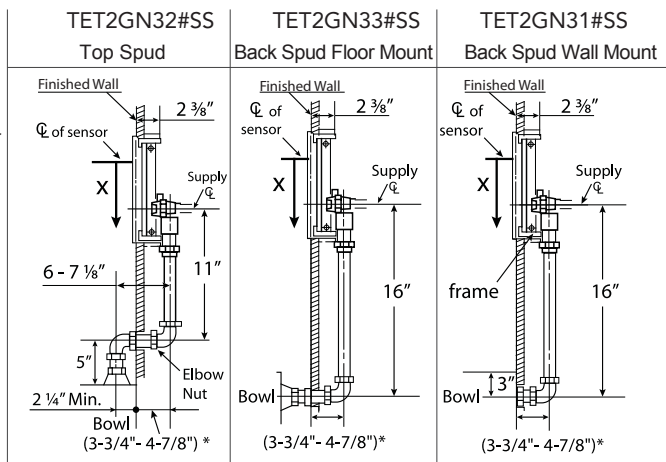
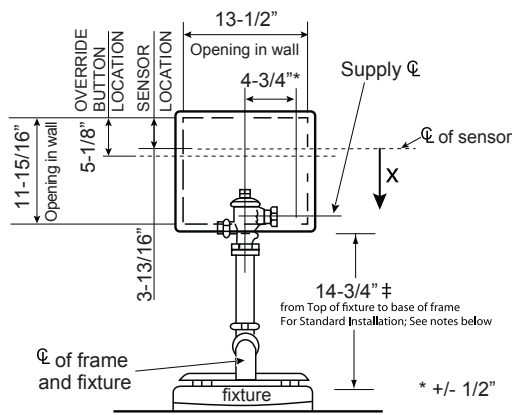
INSTALLATION NOTES

The recommended installation for the toilet flush valve is to have a 7" (178mm) minimum space in wall. Do not place grab bars in front of sensor for ADA stalls. See diagram below for detailed measurements.

DIAGRAM

Dimensions: Inch (not to be scaled)

RECOMMENDED INSTALLATION



Always position the sensor above upright toilet seats and grab bars
 X, ‡ = At least 5" clearance from sensor to tip of toilet seat up
 position or to top of grab bar is required to avoid false detection.

*Leave some room for elbow nut from the wall for future maintenance.



These dimensions and specifications are subject to change without notice

High-Efficiency Urinal EcoPower® Flushometer Valve, 0.5 gpf

FEATURES

- Hydropower self-generating system
- Electronic flushometer valve complete with 3/4" angle stop and 1-1/4" or 3/4" vacuum breaker set
- 0.5 gpf or less
- Back spud - concealed 14" x 12" Cover plate
- 12 hour automatic flush for trap seal protection

MODELS

- TEU2LN#SS
Valve only, Surface mount, Satin finish
- TEU2LN11#SS (3/4" Vacuum breaker)
Back spud, Satin finish
Complete set supplied with:
Vacuum breaker & angle stop set - VB13RB-11
 - 3/4" Angle stop - 10077t6
 - 3/4" Vacuum breaker - 10075t6
 - Outlet tube - TH559EDV171
 - Sweat solder kit - SJ1
- TEU2LN21#SS (1-1/4" Vacuum breaker)
Back spud, Satin finish
Complete set supplied with:
Vacuum breaker & angle stop set - VB13RB-21
 - 3/4" Angle stop - 10077t6
 - 1-1/4" Vacuum breaker - 10075t7
 - Outlet tube - TH559EDV172
 - Sweat solder kit - SJ1
- Optional Part:
Z-4000-J - Adapter for ground joint angle stops



Piston Valve

COLORS/FINISHES

- #SS Stainless Steel Satin finish

CODES/STANDARDS

- Meets or exceeds ASSE 1037, CSA B125.3
- Certifications: IAPMO(cUPC), ASSE, State of Massachusetts, City of Los Angeles, and others
- Code Compliance: UPC, IPC, NSPC, NPC Canada, and others
- ADA compliant



PRODUCT SPECIFICATION

TOTO® Model No. _____
Automatic infrared sensor activated, urinal flush valve. Heavy-duty 14"x12" stainless steel coverplate with satin finish. Vandal resistant hex head screws. Lower water consumption of 0.5 gallon per flush. Automatic sensor adjustment on installation. Manual override button incorporated. Piston valve with stainless steel self cleaning debris screen and solenoid with self cleaning mechanism. Automatic flush every twelve hours if not used. Angle stop and vacuum breaker included with accessories. Electrical sensor separated from valve and sealed in waterproof compartment. Through the use of TOTO's EcoPower® Flush Valves, using the valve 30 flushes per day will fully recharge the valve for up to 10 years.

TEU2LN Series

High-Efficiency Urinal EcoPower® Flushometer Valve, 0.5 gpf

SPECIFICATIONS

- Warranty Three Year Warranty
- Material Bronze casting with stainless steel finish
- Power Supply Hydropower self-generating system
- Water Supply 3/4" NPT
- Detection time Factory setting at six (6) seconds minimum
- Detection range Self-adjusting to environment
- Discharge quantity Preset to 0.5 gpf / 2.4 lpf
- Urinal type Low consumption wash down and jetted flush design urinals
- Operating temperature 32°-104°F (0°-40°C)
- Supply water pressure 15 psi - 125 psi*
- Trap seal protection Automatically flushes once after twelve (12) hours of non-use

These specifications are subject to change without notice.

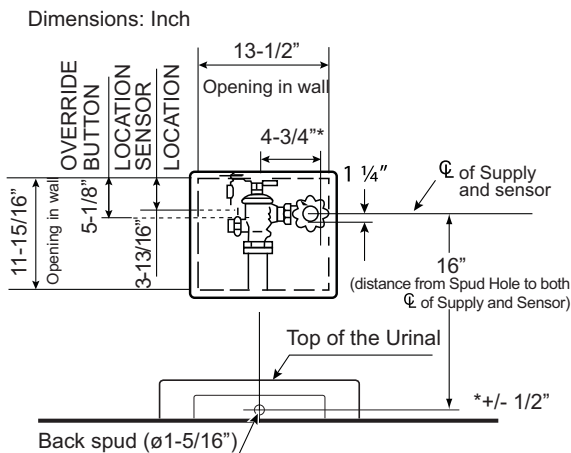
*Water pressures over 80 psi are not recommended for most plumbing fixtures.

Check your local plumbing code for details.

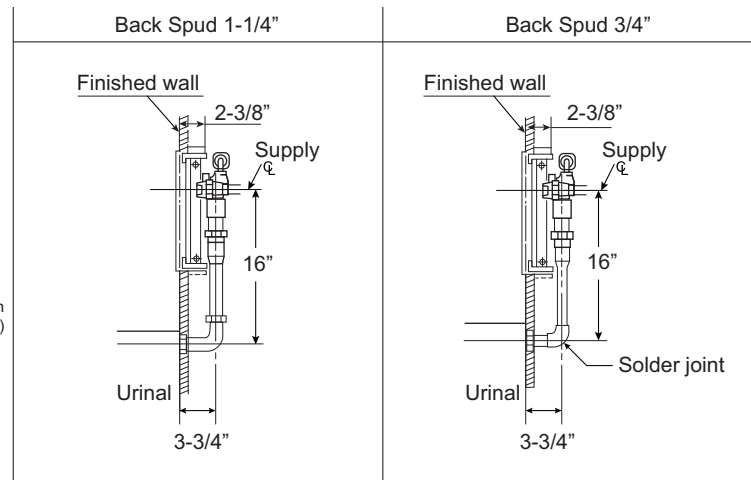
INSTALLATION NOTES

The recommended installation for the urinal flushometer valve is to have a 7" (178mm) minimum space in wall.

DIAGRAM



RECOMMENDED INSTALLATION



TOTO

These dimensions and specifications are subject to change without notice

High-Efficiency Toilet EcoPower® Flushometer Valve, 1.28 gpf

FEATURES

- Hydropower self-generating system
- Electronic flushometer valve complete with 1" angle stop and 1-1/2" vacuum breaker set
- 1.28 gpf or less
- Back spud floor, top spud and back spud wall models - concealed 4" x 4" Cover plate
- 24 hour automatic flush for trap seal protection

MODELS

- TET3LN#SS
Valve only, Surface mount, Satin finish
- TET3LN31#SS (1-1/2" Vacuum breaker)
Back spud wall, Satin finish
Complete set supplied with:
Vacuum breaker & angle stop set - VB13RB-31 (Back spud wall)
 - 1" Angle stop - 10077t5
 - 1-1/2" Vacuum breaker - 10075t4
 - Outlet tube - TH559EDV176
 - Sweat solder kit - SJ3
- TET3LN32#SS (1-1/2" Vacuum breaker)
Top spud, Satin finish
Complete set supplied with:
Vacuum breaker & angle stop set - VB9RB-32 (Top spud)
 - 1" Angle stop - 10077t5
 - 1-1/2" Vacuum breaker - 10075t3
 - Outlet tube - TH559EDV177
 - Sweat solder kit - SJ3
- TET3LN33#SS (1-1/2" Vacuum breaker)
Back spud floor, Satin finish
Complete set supplied with:
Vacuum breaker & angle stop set - VB13RB-33 (Back spud floor)
 - 1" Angle stop - 10077t5
 - 1-1/2" Vacuum breaker - 10075t4
 - Outlet tube - TH559EDV175
 - Sweat solder kit - SJ3
- Optional Part:
Z-4000-J - Adapter for ground joint angle stops

COLORS/FINISHES

- #SS Stainless Steel Satin finish

CODES/STANDARDS

- Meets or exceeds ASSE 1037, CSA B125.3
- Certifications: IAPMO(cUPC), ASSE, State of Massachusetts, City of Los Angeles, and others
- Code Compliance: UPC, IPC, NSPC, NPC Canada, and others
- ADA compliant



Piston Valve

PRODUCT SPECIFICATION

TOTO® Model No. _____
Automatic Infrared sensor activated, toilet valve. Heavy-duty 4" x 4" stainless steel coverplate with satin finish. Low water consumption of 1.28 gallons per flush. Piston valve with stainless steel self-cleaning debris screen and self-cleaning solenoid. Automatic flush every twenty four hours if not used. Electrical sensor separated from valve and sealed in a waterproof compartment. Manual override button incorporated. Through the use of TOTO's EcoPower® Flush Valves, using the valve 12 flushes per day will fully recharge the valve for up to 10 years.

TET3LN Series

High-Efficiency Toilet EcoPower® Flushometer Valve, 1.28 gpf

SPECIFICATIONS

- Warranty Three Year Warranty
- Material Bronze casting with stainless steel satin finish
- Power Supply Hydropower self-generating system
- Water Supply 1" NPT
- Detection time Factory setting at six (6) seconds minimum
- Detection range Self-adjusting to environment
- Discharge quantity Preset to 1.28 gpf / 4.8 lpf
- Operating temperature 32°-104°F (0°-40°C)
- Supply water pressure 35 psi (flowing) - 125 psi* (minimum flow rate of 23 gpm)
- Trap seal protection Automatically flushes once after twenty four (24) hours of non-use

These specifications are subject to change without notice.

*Water pressures over 80 psi are not recommended for most plumbing fixtures. Check your local plumbing code for details.

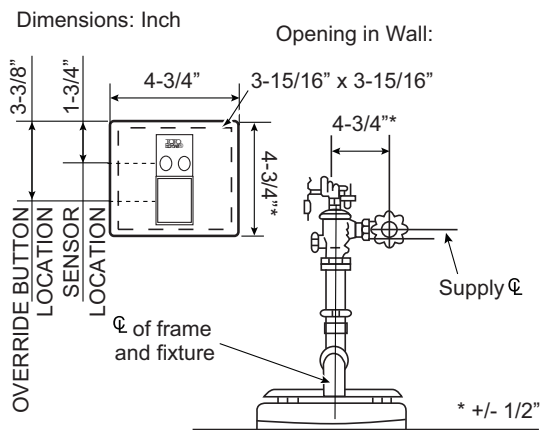
INSTALLATION NOTES

The recommended installation for the toilet flushometer valve is to have a 7" (178mm) minimum space in wall. Also a minimum 12" x 12" access panel or walk-in chase is required for service and maintenance.

Do not place grab bars in front of sensor for ADA stalls. See diagram below for detailed measurements.

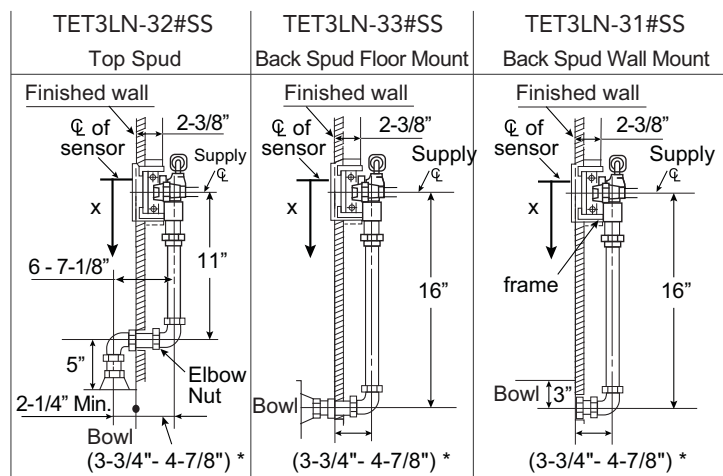
Wall thickness: Min. 5/8" (16mm) - Max. 1-5/8" (41mm). Contact TOTO for different thickness.

DIAGRAM



Always position the sensor above upright toilet seats and grab bars
 X= At least 5" clearance from sensor to tip of toilet seat up position or to top of grab bar is required to avoid false detection.

RECOMMENDED INSTALLATION



Depending on X, the frame may not be centered to Supply \varnothing as shown.
 *Leave some room for elbow nut from the wall for future maintenance.

TOTO

These dimensions and specifications are subject to change without notice

High-Efficiency Urinal EcoPower® Flushometer Valve, 1/8 gpf

FEATURES

- EcoPower® hydropower self-generating system
- Electronic flushometer valve complete with 3/4" angle stop and 3/4" vacuum breaker set
- 1/8 gpf or less
- Back spud - concealed 4" x 4" Cover plate
- 12 hour automatic flush for trap seal protection

MODELS

- TEU3UN#SS
Valve only, Surface mount, Satin finish
- TEU3UN11#SS (3/4" Vacuum breaker)
Back spud, Satin finish
Complete set supplied with:
Vacuum breaker & angle stop set - VB13RB-11
 - 3/4" Angle stop - 10077t6
 - 3/4" Vacuum breaker - 10075t6
 - Outlet tube - TH559EDV171
 - Sweat solder kit - SJ1
- Optional Part:
Z-4000-J - Adapter for ground joint angle stops



COLORS/FINISHES

- #SS Stainless Steel

CODES/STANDARDS (to be listed)

- Meets or exceeds ASSE 1037, CSA B125.3
- Certifications: IAPMO(cUPC), ASSE, State of Massachusetts, and others
- Code Compliance: UPC, IPC, NSPC, NPC Canada, and others
- Legislative Compliance: California AB715, California Green Building Code and others
- ADA compliant

PRODUCT SPECIFICATION

TOTO® Model No. _____
Automatic Infrared sensor activated, urinal valve. 4" x 4" cover plate with brushed stainless steel finish. Low water consumption of 1/8 gallons per flush. Stainless steel self-cleaning debris screen and self-cleaning solenoid. Electrical sensor separated from valve and sealed in a waterproof compartment. manual override button incorporated. Automatic flush every twelve hours if not used. Angle stop and vacuum breaker included with accessories.



TEU3UN

High-Efficiency Urinal EcoPower® Flushometer Valve, 1/8 gpf

SPECIFICATIONS

- Warranty Three Year Warranty
- Material Bronze casting
- Power Supply Hydro-Power Charge
- Water Supply 3/4" NPT
- Detection time Factory setting at six (6) seconds minimum
- Detection range Self-adjusting to environment
- Discharge quantity Preset to 1/8 gpf / 0.47 lpf
- Operating temperature 32°-104°F (0°-40°C)
- Supply water pressure 15 psi - 125 psi*
- Trap seal protection Automatically flushes once after twelve (12) hours of non-use

These specifications are subject to change without notice.

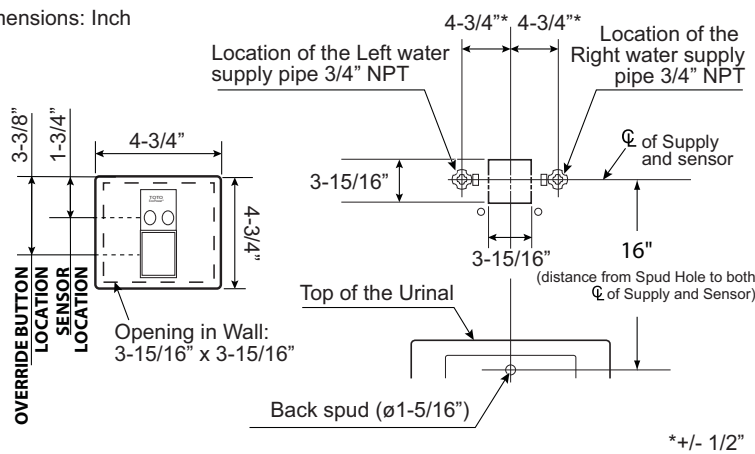
*Water pressures over 80 psi are not recommended for most plumbing fixtures. Check your local plumbing code for details.

INSTALLATION NOTES

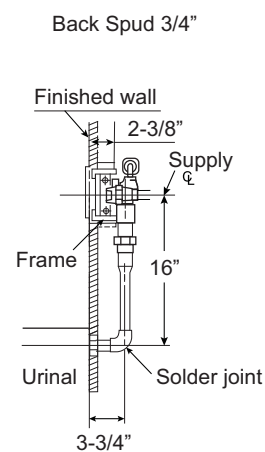
The recommended installation for the urinal flushometer valve is to have a 7" (178mm) minimum space in wall. Also a minimum 12" x 12" access panel or walk-in chase is required for service and maintenance.

DIAGRAM

Dimensions: Inch



RECOMMENDED INSTALLATION



TOTO®

These dimensions and specifications are subject to change without notice

High-Efficiency Urinal EcoPower® Flushometer Valve, 0.5 gpf

FEATURES

- Hydropower self-generating system
- Electronic flushometer valve complete with 3/4" angle stop and 1-1/4" or 3/4" vacuum breaker set
- 0.5 gpf or less
- Back spud - concealed 4" x 4" Cover plate
- 12 hour automatic flush for trap seal protection

MODELS

- TEU3LN#SS
Valve only, Surface mount, Satin finish
- TEU3LN11#SS (3/4" Vacuum breaker)
Back spud, Satin finish
Complete set supplied with:
Vacuum breaker & angle stop set - VB13RB-11
 - 3/4" Angle stop - 10077t6
 - 3/4" Vacuum breaker - 10075t6
 - Outlet tube - TH559EDV171
 - Sweat solder kit - SJ1
- TEU3LN21#SS (1-1/4" Vacuum breaker)
Back spud, Satin finish
Complete set supplied with:
Vacuum breaker & angle stop set - VB13RB-21
 - 3/4" Angle stop - 10077t6
 - 1-1/4" Vacuum breaker - 10075t7
 - Outlet tube - TH559EDV172
 - Sweat solder kit - SJ1
- Optional Part:
Z-4000-J - Adapter for ground joint angle stops



Piston Valve

COLORS/FINISHES

- #SS Stainless Steel Satin finish

CODES/STANDARDS

- Meets or exceeds ASSE 1037, CSA B125.3
- Certifications: IAPMO(cUPC), ASSE, State of Massachusetts, City of Los Angeles, and others
- Code Compliance: UPC, IPC, NSPC, NPC Canada, and others
- ADA compliant



PRODUCT SPECIFICATION

TOTO® Model No. _____
Automatic Infrared sensor activated, toilet valve. Heavy-duty 4" x 4" stainless steel coverplate with satin finish. Low water consumption of 0.5 gallons per flush. Piston valve with stainless steel self-cleaning debris screen and self-cleaning solenoid. Automatic flush every twelve hours if not used. Electrical sensor separated from valve and sealed in a waterproof compartment. manual override button incorporated. Through the use of TOTO's EcoPower® Flush Valves, using the valve 30 flushes per day will fully recharge the valve for up to 10 years.

TEU3LN Series

High-Efficiency Urinal EcoPower® Flushometer Valve, 0.5 gpf

SPECIFICATIONS

- Warranty Three Year Warranty
- Material Bronze casting with stainless steel satin finish
- Power Supply Hydropower self-generating system
- Water Supply 3/4" NPT
- Detection time Factory setting at six (6) seconds minimum
- Detection range Self-adjusting to environment
- Discharge quantity Preset to 0.5 gpf / 2.4 lpf
- Operating temperature 32°-104°F (0°-40°C)
- Supply water pressure 15 psi - 125 psi*
- Trap seal protection Automatically flushes once after twelve (12) hours of non-use

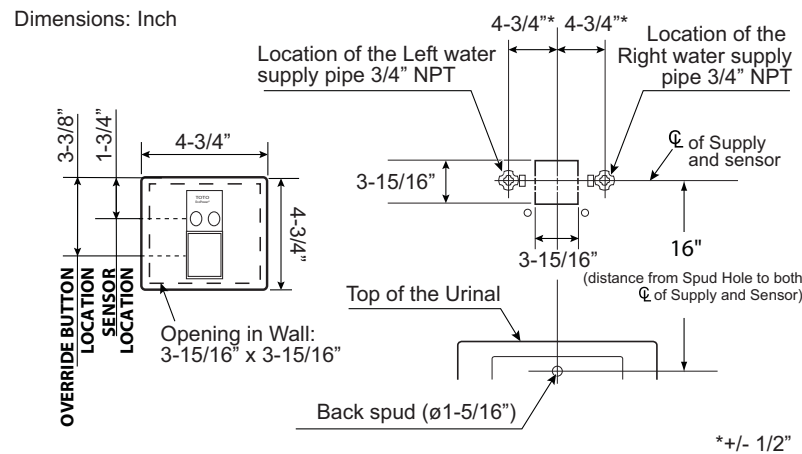
These specifications are subject to change without notice.
 *Water pressures over 80 psi are not recommended for most plumbing fixtures.
 Check your local plumbing code for details.

INSTALLATION NOTES

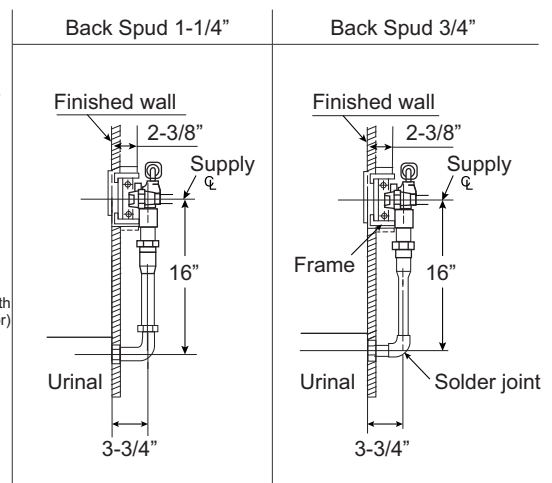
The recommended installation for the urinal flushometer valve is to have a 7" (178mm) minimum space in wall. Also a minimum 12" x 12" access panel or walk-in chase is required for service and maintenance.

Wall thickness: Min. 5/8" (16mm) - Max. 1-5/8" (41mm).
 Contact TOTO for different thickness.

DIAGRAM



RECOMMENDED INSTALLATION



TOTO

These dimensions and specifications are subject to change without notice

Non-Hold Open Toilet Flushometer Valve - 1.6 gpf

FEATURES

- Manual operated, non-hold open, toilet flushometer valve complete with 1" angle stop and 1-1/2" vacuum breaker set
- Piston valve action with 1.6 gpf
- Left/right rough-in

MODELS

- TMT1NNC
Valve only, Right/Left hand rough
- TMT1NNC-32 (1-1/2" Vacuum breaker)
Right/Left hand rough
Complete set supplied with:
Vacuum breaker & angle stop set - VB9CP-32
 - 1" Angle stop - 10077t3
 - 1-1/2" Vacuum breaker - 10075t1
 - Spud nut & escutcheon - 71051Nt6
 - Sweat solder kit - TH559EDVSJ3
- Optional Parts:
Z-4000-J - Adapter for ground joint angle stops
10075T1L - 24" Long 1-1/2" vacuum breaker tube



PRODUCT SPECIFICATION

TOTO® Model No. _____
Manual toilet flushometer valve, non-hold-open piston type with self-cleaning debris screen and precise flushing capability. Low consumption 1.6 gpf models available. Polished Chrome exterior, angle stop with back-check and vacuum breaker included.

COLORS/FINISHES

- #CP Polished Chrome

CODES/STANDARDS

- Meets or exceeds ASSE 1037, CSA B125.3
- Certifications: IAPMO(cUPC), ASSE, State of Massachusetts, City of Los Angeles, and others
- Code Compliance: UPC, IPC, NSPC, NPC Canada, and others
- ADA compliant



TMT1NNC Series

Non-Hold Open Toilet Flushometer Valve - 1.6 gpf

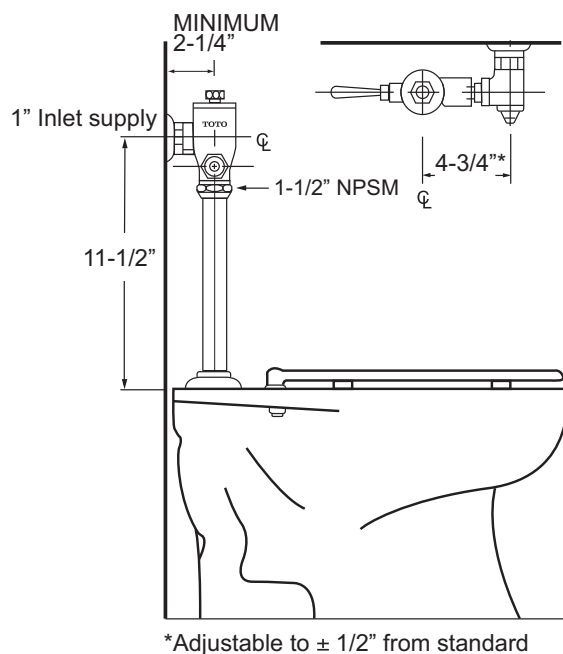
SPECIFICATIONS

- Warranty Three Year Warranty
- Material Bronze casting with polished chrome finish
- Water Supply 1" NPT
- Fixture type Flushometer valve bowl
1.6 gpf / 6.0 lpf
- Supply water pressure 15 psi - 100 psi*

These specifications are subject to change without notice.

*Water pressures over 80 psi are not recommended for most plumbing fixtures.

Check your local plumbing code for details.



TOTO

These dimensions and specifications are subject to change without notice

Non-Hold Open Urinal Flushometer Valve - 1.0 gpf

FEATURES

- Manual operated, non-hold open, urinal flushometer valve complete with 3/4" angle stop and 3/4" or 1-1/4" vacuum breaker set
- Piston valve action with 1.0 gpf
- Left/right rough-in

MODELS

- TMU1NNC
Valve only, Right/Left Hand Rough
- TMU1NNC-12 (3/4" Vacuum breaker)
Right/Left Hand Rough
Complete set supplied with:
Vacuum breaker & angle stop set – VB9CP-12
 - 3/4" Angle stop – 10077t4
 - 3/4" Vacuum breaker – 10075t2
 - Spud nut & escutcheon – 71051Nt5
 - Sweat solder kit – TH559EDVSJ1
- TMU1NNC-22 (1-1/4" Vacuum breaker)
Right/Left Hand Rough
Complete set supplied with:
Vacuum breaker & angle stop set – VB9CP-22
 - 3/4" Angle stop – 10077t4
 - 1-1/4" Vacuum breaker – 10075t5
 - Spud nut & escutcheon – 71051Nt7
 - Sweat solder kit – TH559EDVSJ1
- Optional Part:
Z-4000-J - Adapter for ground joint angle stops

COLORS/FINISHES

- #CP Polished Chrome

CODES/STANDARDS

- Meets or exceeds ASSE 1037, CSA B125.3
- Certifications: IAPMO(cUPC), ASSE, State of Massachusetts, City of Los Angeles, and others
- Code Compliance: UPC, IPC, NSPC, NPC Canada, and others
- ADA compliant



PRODUCT SPECIFICATION

TOTO® Model No. _____
Manual type urinal flushometer valve, non-hold-open piston type with, self-cleaning debris screen and precise flushing capability. Low consumption 1.0 lpf/3.8 lpf model. Accessories to include angle stop with check valve, vacuum breaker. Sweat solder kit, spud nut and escutcheon.

TMU1NNC Series

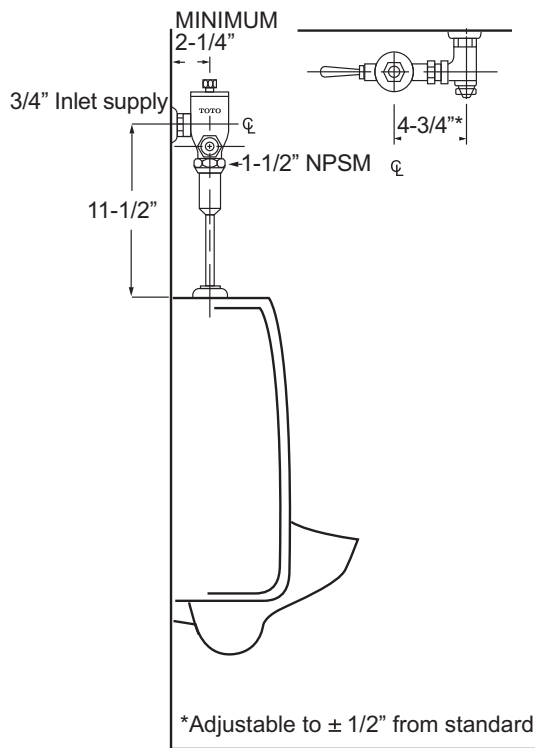
Non-Hold Open Urinal Flushometer Valve - 1.0 gpf

SPECIFICATIONS

- Warranty Three Year Warranty
- Material Bronze casting with polished chrome finish
- Water Supply 3/4" NPT
- Fixture type Low consumption urinal
1.0 gpf / 3.8 lpf flushometer type
- Supply water pressure 15 psi - 100 psi*

These specifications are subject to change without notice.

*Water pressures over 80 psi are not recommended for most plumbing fixtures.
Check your local plumbing code for details.



TOTO

These dimensions and specifications are subject to change without notice

Non-Hold Open Toilet Flushometer Valve - 1.6 gpf

FEATURES

- Manual operated, non-hold open, toilet flushometer valve complete with 1" angle stop and 1-1/2" vacuum breaker set
- Piston valve action with 1.6 gpf
- Left/right rough-in

MODELS

- TMT1NNC
Valve only, Right/Left hand rough
- TMT1NNC-32 (1-1/2" Vacuum breaker)
Right/Left hand rough
Complete set supplied with:
Vacuum breaker & angle stop set - VB9CP-32
 - 1" Angle stop - 10077t3
 - 1-1/2" Vacuum breaker - 10075t1
 - Spud nut & escutcheon - 71051Nt6
 - Sweat solder kit - TH559EDVSJ3
- Optional Parts:
Z-4000-J - Adapter for ground joint angle stops
10075T1L - 24" Long 1-1/2" vacuum breaker tube



PRODUCT SPECIFICATION

TOTO® Model No. _____
Manual toilet flushometer valve, non-hold-open piston type with self-cleaning debris screen and precise flushing capability. Low consumption 1.6 gpf models available. Polished Chrome exterior, angle stop with back-check and vacuum breaker included.

COLORS/FINISHES

- #CP Polished Chrome

CODES/STANDARDS

- Meets or exceeds ASSE 1037, CSA B125.3
- Certifications: IAPMO(cUPC), ASSE, State of Massachusetts, City of Los Angeles, and others
- Code Compliance: UPC, IPC, NSPC, NPC Canada, and others
- ADA compliant



TMT1NNC Series

Non-Hold Open Toilet Flushometer Valve - 1.6 gpf

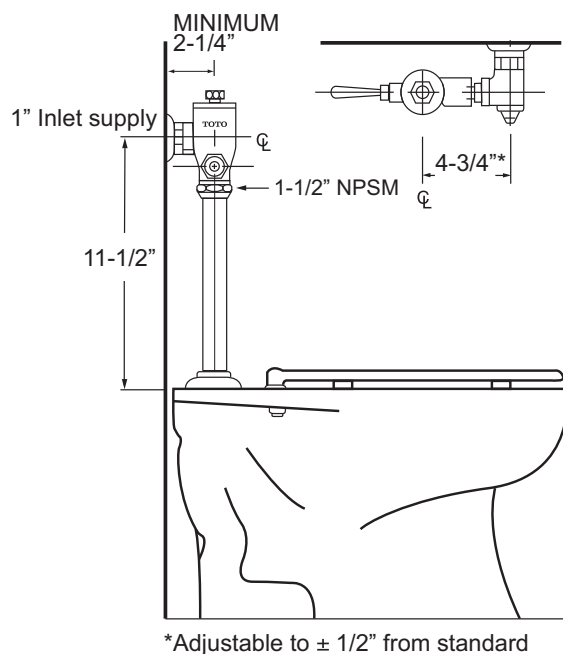
SPECIFICATIONS

- Warranty Three Year Warranty
- Material Bronze casting with polished chrome finish
- Water Supply 1" NPT
- Fixture type Flushometer valve bowl
1.6 gpf / 6.0 lpf
- Supply water pressure 15 psi - 100 psi*

These specifications are subject to change without notice.

*Water pressures over 80 psi are not recommended for most plumbing fixtures.

Check your local plumbing code for details.



TOTO

These dimensions and specifications are subject to change without notice

► **Description**

Exposed, Battery Powered, Sensor Operated G2® Model Urinal Flushometer.

► **Flush Cycle**

- Model 8186-0.5 (0.5 gpf/1.9 Lpf)
- Model 8186-1.0 Low Consumption (1.0 gpf/3.8 Lpf)
- Model 8186 Water Saver (1.5 gpf/5.7 Lpf)

► **Specifications**

- Quiet, Exposed, Diaphragm Type, Chrome Plated Urinal Flushometer for either left or right hand supply with the following features:
- PERMEX™ Synthetic Rubber Diaphragm with Dual Filtered Fixed Bypass
 - Flex Tube Diaphragm designed for improved life and reduced maintenance
 - ADA Compliant OPTIMA Plus® Battery Powered Infrared Sensor for automatic "No Hands" operation
 - Infrared Sensor with Multiple-focused, Lobular Sensing Fields for high and low target detection
 - Isolated Latching Solenoid Operator, isolates magnetic components from water contact
 - Engineered Metal Cover with replaceable Lens Window
 - Courtesy Flush™ Override Button
 - Four (4) Size AA Batteries factory installed
 - "Low Battery" Flashing LED
 - Infrared Sensor Range Adjustment Screw
 - Initial Set-up Range Indicator Light (first 10 minutes)
 - 3/4" I.P.S. Screwdriver Bak-Chek™ Angle Stop
 - Free Spinning, Vandal Resistant Stop Cap
 - Adjustable Tailpiece
 - High Back Pressure Vacuum Breaker Flush Connection with One-piece Bottom Hex Coupling Nut
 - Spud Coupling and Flange for 3/4" Top Spud
 - Sweat Solder Adapter with Cover Tube and Cast Set Screw Wall Flange
 - High Copper, Low Zinc Brass Castings for Dezincification Resistance
 - Fixed Metering Bypass and No External Volume Adjustment to Ensure Water Conservation
 - Flush Accuracy Controlled by CID™ Technology
 - Diaphragm, Stop Seat and Vacuum Breaker to be molded from PERMEX™ Rubber Compound for Chloramine resistance

Valve Body, Tailpiece and Control Stop shall be in conformance with ASTM Alloy Classification for Semi-Red Brass. Valve shall be in compliance with the applicable sections of ASSE 1037, ANSI/ASME A112.19.6 and Military Specification V-29193. Installation conforms to ADA requirements.

► **Special Finishes**

- PB** Polished Brass (PVD Finish)
- GP** Gold Plate (PVD Finish)
- BN** Brushed Nickel (PVD Finish)
- SF** Satin Chrome

See Accessories Section and OPTIMA Accessories Section of the Sloan catalog for details on these and other OPTIMA Plus® Flushometer variations.



► **ADA Compliant**

► **Automatic**

Sloan G2 Optima Plus® Flushometers activate via multi-lobular sensor detection to provide the ultimate in sanitary protection and automatic operation. A battery powered infrared sensor sets the flushing mechanism after the user is detected and completes the flush when the user steps away.

► **Functional & Hygienic**

Touchless, sensor operation eliminates the need for user contact to help control the spread of infectious diseases. The G2 Optima Plus Flushometer is provided with an Override Button to allow a "courtesy flush" for individual user comfort.

► **Economical**

Sloan installed batteries speed installation and provide years of metered flushing to control the use of water and energy. Batteries can be changed without turning off the water. The patented Isolated Operator ensures reliability by isolating the solenoid components from the water.

► **Warranty**

5 year (limited)



This space for Architect/Engineer approval	
Job Name _____	Date _____
Model Specified _____	Quantity _____
Variations Specified _____	
Customer/Wholesaler _____	
Contractor _____	
Architect _____	

Model 8186



Description

Exposed, Battery Powered, Sensor Operated G2® Model Urinal Flushometer.

Flush Cycle

- Model 8186-0.5 (0.5 gpf/1.9 Lpf)
- Model 8186-1.0 Low Consumption (1.0 gpf/3.8 Lpf)
- Model 8186 Water Saver (1.5 gpf/5.7 Lpf)

ELECTRICAL SPECIFICATIONS

Control Circuit

Solid State
6 VDC Input
8 Second Arming Delay
24 Hour Sentinel Flush

OPTIMA Sensor Type

Active Infrared

OPTIMA Sensor Range

Nominal 15" - 30" (381 mm - 762 mm), Adjustable \pm 8" (203 mm)

Battery Type

(4) AA Alkaline

Battery Life

3 Years @ 4,000 Flushes/Month

Indicator Lights

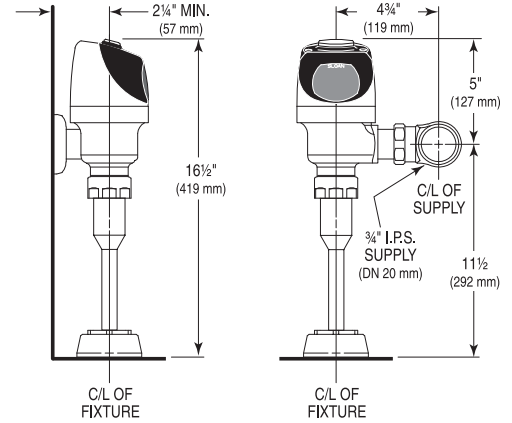
Range Adjustment/Low Battery

Operating Pressure

15 - 100 psi (104 - 689 kPa)

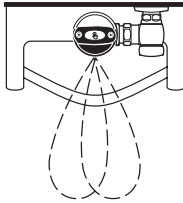
Sentinel Flush

Once Every 24 Hours After the Last Flush

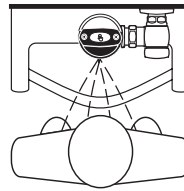


OPERATION

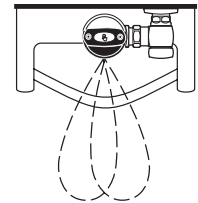
1. A continuous, invisible light beam is emitted from the OPTIMA Plus Sensor.



2. As the user enters the beam's effective range (15" to 30") the beam is reflected into the OPTIMA Plus Scanner Window and transformed into a low voltage electrical circuit. Once activated, the Output Circuit continues in a "hold" mode for as long as the user remains within the effective range of the Sensor.



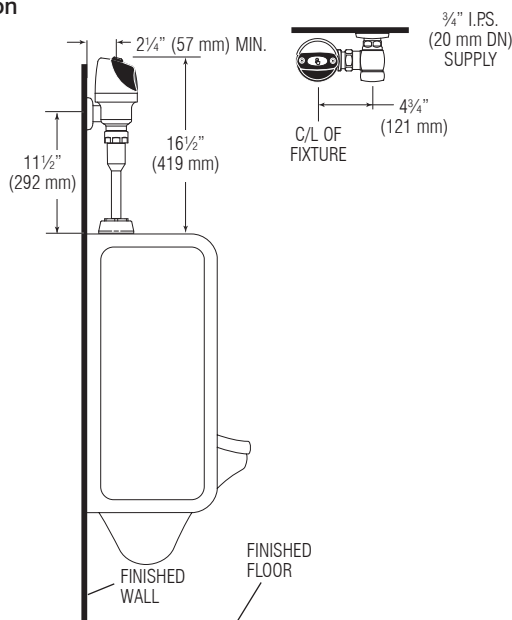
3. When the user steps away from the OPTIMA Plus Sensor, the Sensor initiates an electrical signal that operates the Solenoid. This initiates the flushing cycle to flush the fixture. The Circuit then automatically resets and is ready for the next user.



VALVE ROUGH-IN

Typical Urinal Installation

Model 8186



Note: Lens Deflector no longer needed for targeting children or wheel chair users.

SLOAN VALVE COMPANY • 10500 SEYMOUR AVENUE • FRANKLIN PARK, IL 60131

Phone: 1-800-9-VALVE-9 or 1-847-671-4300 • Fax: 1-800-447-8329 or 1-847-671-4380 • www.sloanvalve.com

Self-Rimming Lavatory

FEATURES

- 19-1/2" diameter
- Vitreous china
- ADA compliant
- Concealed front overflow
- Complete with installation template and sealing compound

MODELS

- LT402#01
Lavatory only with single hole faucet center
- LT402.4#01
Lavatory only with 4" faucet centers
- LT402.8#01
Lavatory only with 8" faucet centers



PRODUCT SPECIFICATION

The self-rimming lavatory shall be made of vitreous china. Lavatory shall be 19-1/2" in diameter. Product shall be with front overflow and lavatory shall include mounting assembly and be ADA compliant. Lavatory shall be TOTO Model LT402_____.

COLORS/FINISHES

- Standard
#01 Cotton

CODES/STANDARDS

- Meets and exceeds ASME A112.19.2/CSA B45.1
- Certifications: IAPMO(cUPC), State of Massachusetts, City of Los Angeles, and others
- ADA compliant
- Code compliance: UPC, IPC, NSPC, NPC Canada, and others

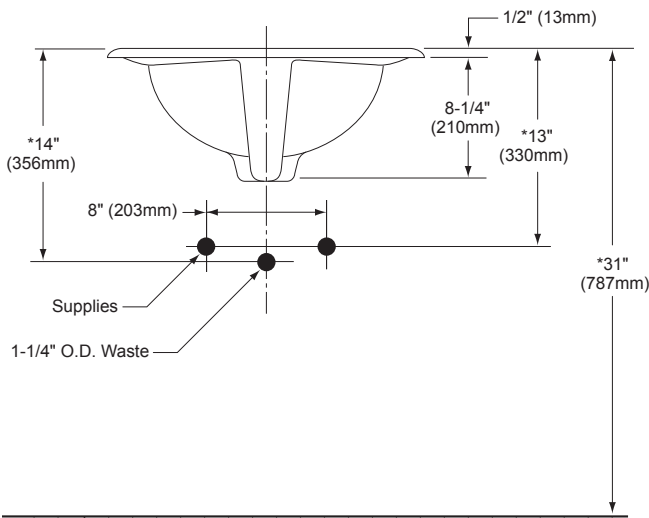
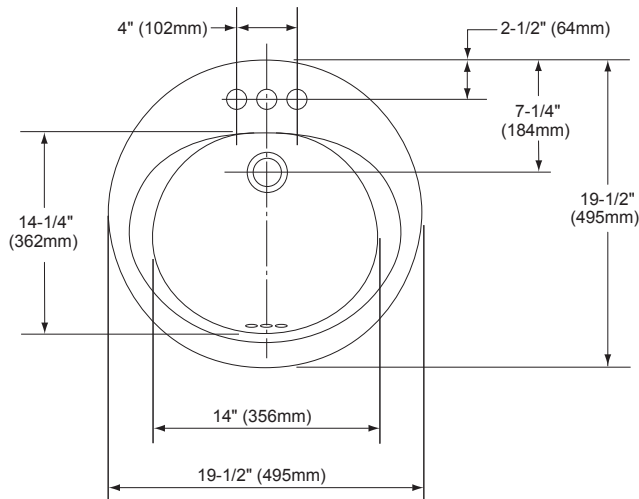


LT402

Self-Rimming Lavatory

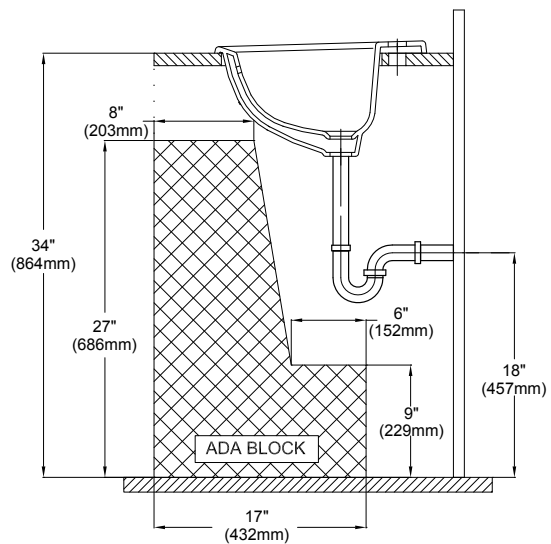
SPECIFICATIONS

- Waste 1-1/4" O.D.
- Size 19-1/2" diameter
- Basin 14-1/4"W x 14"D
- Warranty One Year Limited Warranty
- Material Vitreous china
- Shipping Weight 20-1/2 lbs.
- Shipping Dimensions 19-5/8" L x 19-5/8" W x 9-1/2" H



*Suggested dimension

ADA Compliance Check



TOTO®

These dimensions and specifications are subject to change without notice

Ph: (888) 295-8134 | Fax: (800) 699-4889 | www.totousa.com

SS-00330 v.04

Printed in U.S.A. | © TOTO LTD. 07/09 | Printed on recycled paper ♻️

Undercounter Lavatory

FEATURES

- 17" x 14"
- Vitreous china
- ADA compliant
- Concealed front overflow
- Mounting assembly complete with installation template and mounting screw set for wood countertops
- THU410 is required for marble/granite type counter top installation and must be purchased separately

MODELS

- LT569
(#01, #03, #12)

COLORS/FINISHES

- Standard
#01 Cotton
#03 Bone
#12 Sedona Beige

CODES/STANDARDS

- Meets and exceeds ASME A112.19.2/CSA B45.1
- Certifications: IAPMO(cUPC), State of Massachusetts, City of Los Angeles, and others
- Meets ADA guidelines and ANSI A117.1 requirements when countertop is installed 864mm (34") from finished floor and lavatory is installed 205mm (8-1/8") minimum from front edge.



PRODUCT SPECIFICATION

The undercounter lavatory shall be made of vitreous china. Lavatory shall be 17" Width x 14" Depth. Product shall be with overflow and lavatory shall include mounting assembly. Lavatory shall be ADA compliant. Lavatory shall be TOTO Model LT569_____.



LT569

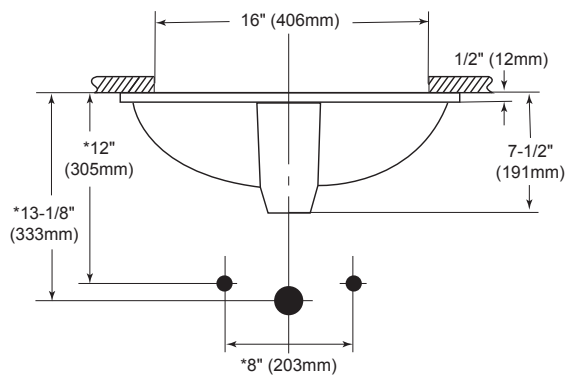
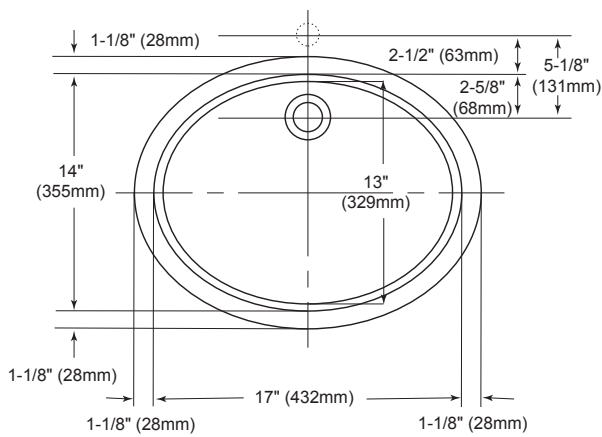
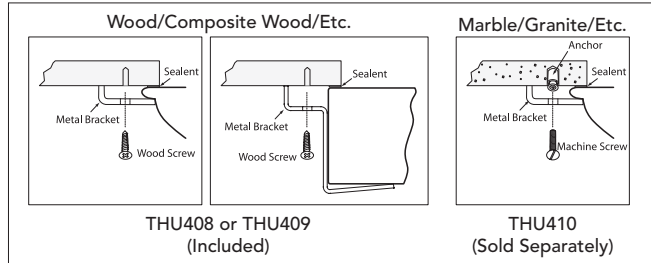
Undercounter Lavatory

SPECIFICATIONS

- Waste 1-1/4" O.D.
- Size 19-1/4"W x 16-1/4"D
- Basin 17"W x 14"D
- Warranty One Year Limited Warranty
- Material Vitreous china
- Shipping Weight 17.4 lbs.
- Shipping Dimensions 22"W x 8-1/2"H x 18-1/2"L

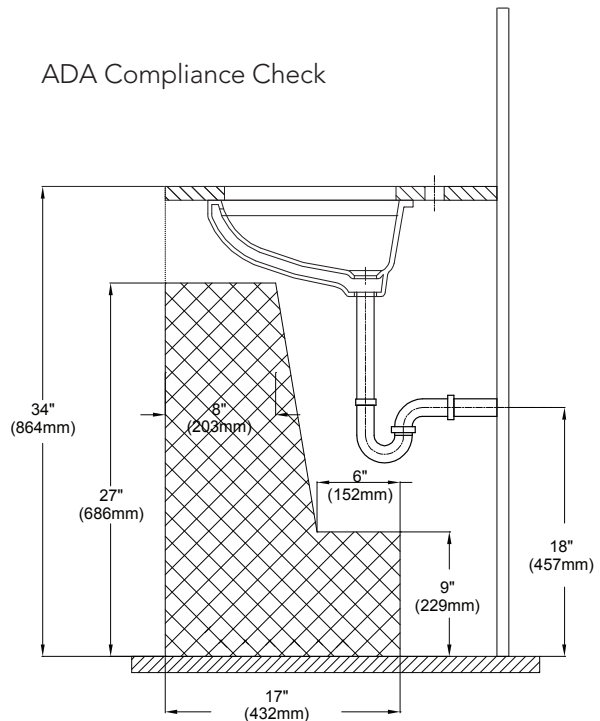
INSTALLATION NOTES

Mounting Hardware



*Suggested Dimension

ADA Compliance Check



TOTO

These dimensions and specifications are subject to change without notice

Commercial Wall-Hung Lavatory

FEATURES

- 20-7/8" x 18" lavatory with back splash
- Vitreous china
- ADA compliant
- Punching for concealed arm carrier
- Includes wall hanger
- Punching for concealed arm carriers
- Soap dispenser hole



MODELS

- LT307
Lavatory only, with single hole
- LT307.4
Lavatory only with 4" faucet centers
- LT307.8
Lavatory only with 8" faucet centers
- LT307A#01 (Cotton only)
Lavatory only with single hole. Left side soap hole

CODES/STANDARDS

- Meets and exceeds ASME A112.19.2/CSA B45.1,
- Certifications: IAPMO(cUPC), State of Massachusetts, City of Los Angeles, and others
- Meets ADA, TAS, ICC/ANSI A117.1 and CSA B651
- Code compliance: UPC, IPC, NSPC, NPC Canada, and others



COLORS/FINISHES

- Standard
#01 Cotton
#03 Bone
#12 Sedona Beige

PRODUCT SPECIFICATION

The lavatory shall be 20-7/8" width and 18" depth. The basin shall be 14-3/4" width by 10-1/8" depth. The lavatory shall be made of vitreous china and can be installed at ADA height with rear overflow. TOTO model number LT307A#01 shall be drilled for soap dispenser. Lavatory shall be TOTO model LT307_____.

LT307(A)

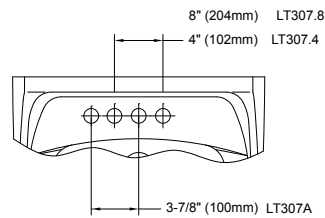
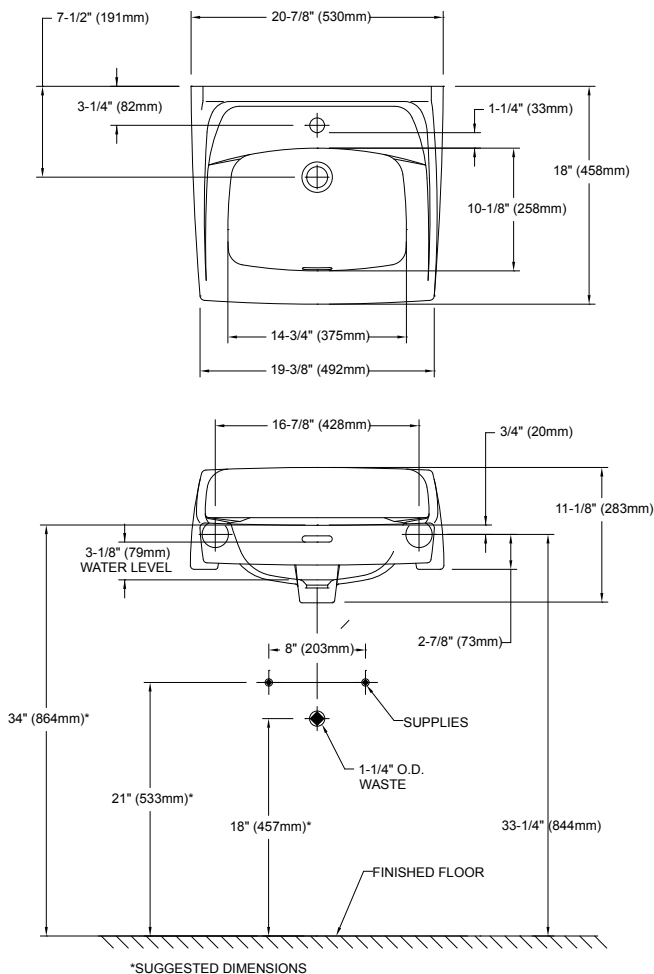
Commercial Wall-Hung Lavatory

SPECIFICATIONS

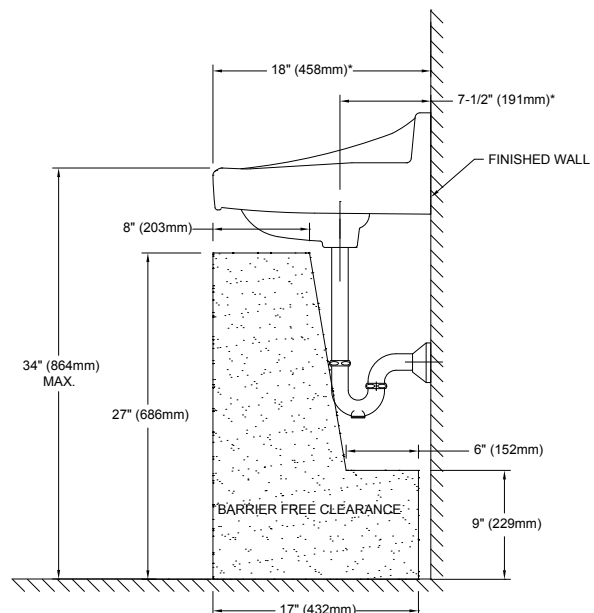
- Waste 1-1/4" O.D.
- Size 20-7/8"W x 18"D
- Warranty One Year Limited Warranty
- Material Vitreous china
- Shipping Weight 40 lbs.
- Shipping Dimensions 22-5/8"L x 19-1/8"W x 13-3/4"H

INSTALLATION NOTES

TOTO recommends the use of Jay R. Smith 0700 (Concealed Arms) with 19" arms 0800 (Wall Support Plate).



ADA COMPLIANCE CHECK



TOTO

These dimensions and specifications are subject to change without notice

Atherton™ Undercounter Lavatory

FEATURES

- 19" x 15"
- Oval Undercounter Lavatory
- ADA compliant
- Vitreous china
- Front overflow
- Mounting assembly complete with installation template and mounting screw set for wood countertops
- THU410 is required for marble/granite type countertop installation and must be purchased separately



MODELS

- LT233
 (#01)

COLORS/FINISHES

- #01 Cotton

CODES/STANDARDS

- Meets ADA guidelines and ANSI A117.1 requirements when countertop is installed 864mm (34") from finished floor and lavatory is installed 25mm (1") minimum from front edge.
- Meets and exceeds ASME A112.19.2/CSA B45.1
- Certifications: IAPMO(cUPC), State of Massachusetts, City of Los Angeles, and others.



PRODUCT SPECIFICATION

The undercounter lavatory shall be made of vitreous china. Lavatory shall be 19-3/8" in width and 15-1/2" in depth. Product shall be with overflow and lavatory shall include mounting assembly and be ADA compliant.

TOTO Model LT233_____.

LT233

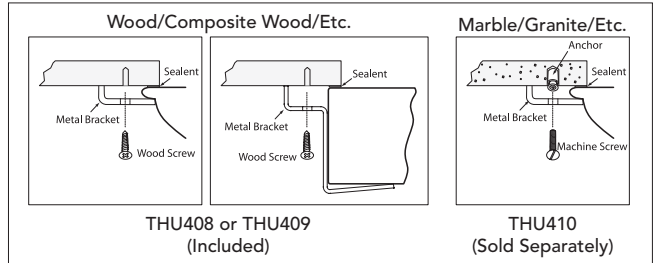
Atherton™ Undercounter Lavatory

SPECIFICATIONS

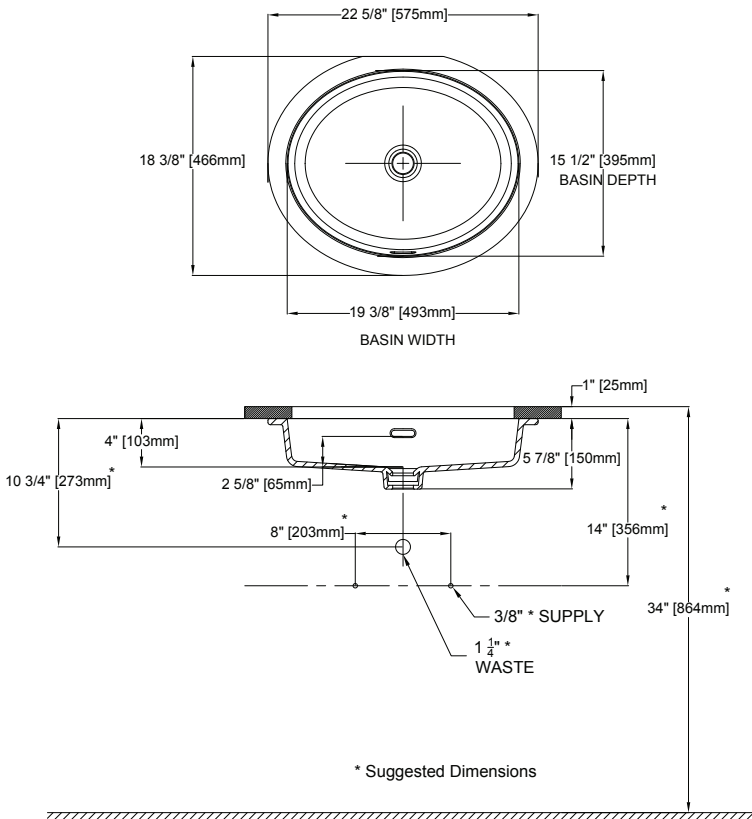
- **Waste:** 1-1/4" (32 mm)
- **Overall Size:** 22-5/8" (575 mm) x 18-3/8" (466 mm)
- **Cutout:** 18-5/8" (473mm) x 14-3/4" (375mm)
- **Basin Depth:** 4" (103 mm)
- **Basin:** 19-3/8" (493 mm) x 15-1/2" (395 mm)
- **Warranty:** One Year Limited Warranty
- **Material:** Vitreous china
- **Shipping Weight:** 22.5lbs (10 kg)
- **Shipping Dimensions:** 23-1/2" x 19-1/2" x 7-1/2"

INSTALLATION NOTES

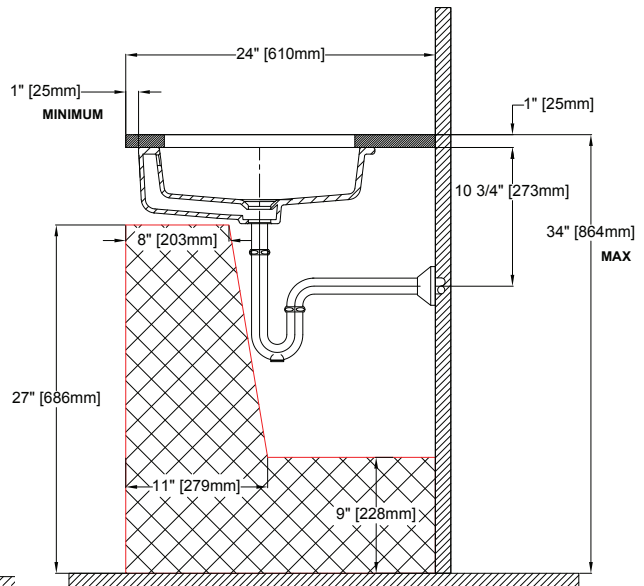
Mounting Hardware



Note: Low flow faucets are recommended.



ADA COMPLIANCE CHECK



TOTO®

These dimensions and specifications are subject to change without notice.

Standard EcoPower® Faucet

FEATURES

- Self-generating hydropowered EcoPower system
- No minimum daily usage requirement
- Micro-sensor positioned underneath the spout head for accurate hand detection ensuring smooth and consistent water distribution
- Vandal resistant aerator housing
- Durable chrome plated spout body
- Single-hole mount
- Kit includes spout body, controller box, and mounting hardware - less supply lines
- Equipped with 0.5gpm flow control

MODELS

- TEL105-D10E**
 - TELS105 (Standard Spout)
 - TELC105-D10E (Controller: 0.09gpc, 10 sec on-demand)
- TEL105-D10EM
 - **TEL105-D10E** (Standard Spout Kit)
 - TLM10 (Mixing Valve)
- TEL105-D10ET
 - **TEL105-D10E** (Standard Spout Kit)
 - TLT10 (Thermostatic Mixing Valve)
- TEL105-C20E**
 - TELS105 (Standard Spout)
 - TELC105-C20E (Controller: 0.19gpc, 20 sec continuous)
- TEL105-C20EM
 - **TEL105-C20E** (Standard Spout Kit)
 - TLM10 (Mixing Valve)
- TEL105-C20ET
 - **TEL105-C20E** (Standard Spout Kit)
 - TLT10 (Thermostatic Mixing Valve)

COLORS/FINISHES

- #CP Polished Chrome
- #BN Brushed Nickel
- #PN Polished Nickel

OPTIONAL ACCESSORIES

- THP3158#CP - 4" Cover Plate
- 71244T8CC - 8" Cover Plate



PRODUCT SPECIFICATION

TOTO Model # _____ The faucet shall have hydropowered self-generating, EcoPower System. The faucet shall have maximum of 10 seconds on-demand flow (0.09gpc), or 20 seconds continuous flow (0.19gpc). Product shall have anti-scald shape memory alloy thermostatic mixing valve (-ET models only). The faucet shall have self-adjusting sensor.

CODES/STANDARDS

- Operates below federally mandated consumption limit of 0.25gpc
- Complies to California Green Building Code, CALGreen of 0.20 gpc
- Meets or exceeds ASME A112.18.1M/CSA B125.1, and NSF372-2011
- Certifications: IAPMO(cUPC), State of Massachusetts, and others
- California Green Code and City of Los Angeles Water Efficiency Ordinance
- ADA compliant
- Complies with federal and state statutes as low-lead (contains a weighted average of 0.25% lead or less)

* For codes and standards of mixing valves TLM10 and TLT10, please refer to corresponding product spec sheet



TEL105 Series

Standard EcoPower® Faucet

SPECIFICATIONS

Power Supply	EcoPower
Sensor Detection Range	5-1/8" - 7-7/8" (130 - 200mm) Sensor is self-adjusting
Water Supply Pressure	Min (Dynamic/Flowing) Pressure: 15psi (100kPa) Max (Static) Pressure: 80 psi (551kPa)
Water Supply	G1/2 (1/2 NPSM compatible)
Inlet Temperature Range	32-110°F(0-42°C)
Ambient Temperature	32-104°F(0-40°C)
Humidity	Max. 90% RH
Flow Rate	0.09 gpc* - max 10 second On-Demand** (0.09 gpc = 0.5 gpm x 10/60 sec) Equipped with 0.5 gpm flow control
	0.19 gpc* - 20 second Continuous*** (0.19 gpc = 0.5 gpm x 20/60 sec) Equipped with 0.5 gpm flow control
Warranty	Three years

NOTE

Following the federal mandate for water efficiency outlined in the Environmental Protection Act of 1992, faucets can be rated for water consumption based on two categories: Flow Rate and Water Consumption. TOTO uses the water consumption standard because it is the most accurate method of measuring water use. TOTO faucets also comply with the CALGreen Guideline of water usage.

Water Saving

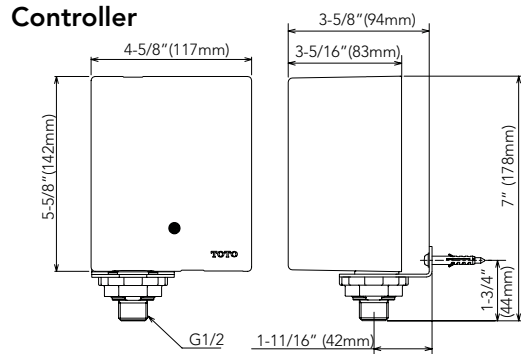
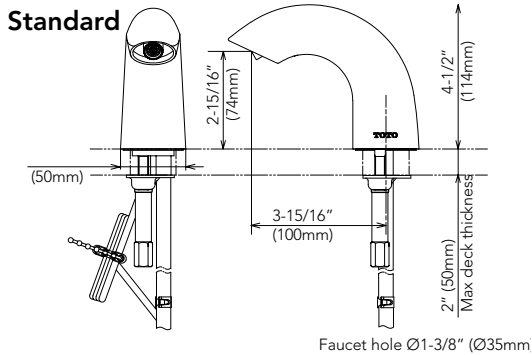
On-Demand [10 sec.] faucet (0.09gpc)
Federal Standard (0.25gpc) – 64% less
CAL Green (0.20gpc) – 55% less

Continuous [20 sec.] faucet (0.19gpc)
Federal Standard (0.25gpc) – 24% less
CAL Green (0.20gpc) – 5% less

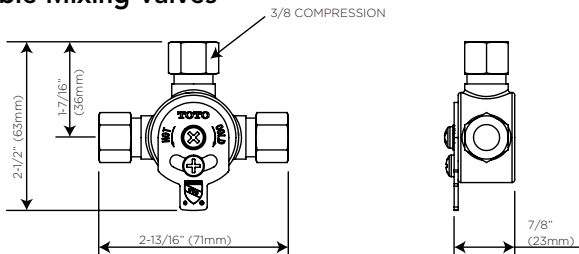
*Gallons per cycle (gpc) is the amount of water per usage cycle .

** On-demand refers to the way in which the water is dispersed (i.e.; water is only dispersed when the sensor is activated by the user as needed).

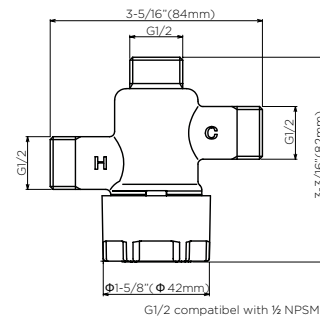
*** Continuous means that water is dispersed for a continuous 20 second cycle.



Available Mixing Valves



Hot/Cold Mixing Tee (TLM10)



Thermostatic Mixing Valve (TLT10)

TOTO

These dimensions and specifications are subject to change without notice

Helix® EcoPower® Faucet

FEATURES

- Hydropower self-generating system
- Sensor faucet with laminar flow
- Self adjusting faucet with control box and mounting hardware, less supply lines
- 1/2" water supply male threaded
- NSF compliant
- Single-hole mount

MODELS

- TEL3GC10#CP - Single Supply
Discharge: On-demand; Up to 10 seconds while activated.
- TEL5GC10#CP - Thermal Mixing
Discharge: On-demand; Up to 10 seconds while activated.
Controller/Mixer #: TN78-10V510
- TEL3GC60#CP - Single Supply
Discharge: On-demand; Up to 60 seconds while activated.
- TEL5GC60#CP - Thermal Mixing
Discharge: On-demand; Up to 60 seconds while activated.
Controller/Mixer #: TN78-10V560
- Optional Accessories:
TN71V100S - 4" cc Cover Plate
71244T8CC - 8" cc Cover Plate

COLORS/FINISHES

- #CP Polished Chrome

CODES/STANDARDS

- Meets or exceeds ASME A112.18.1/CSA B125.1, NSF 61-9, and ASSE 1070*
- Certifications: IAPMO(cUPC), ASSE, State of Massachusetts, and others
- Code Compliance: UPC, IPC, NSPC, NPC Canada, and others
- Legislative compliance: California AB 1953 & Vermont S.152, California Green Code, and City of Los Angeles Water Efficiency Ordinance
- ADA compliant



PRODUCT SPECIFICATION

TOTO Model # _____ Automatic infrared sensor activated faucet. Anti-scald, thermal mixing chamber (thermal faucets only). Automatic sensor adjustment on installation. Maximum discharge 0.17 gallons per 10 second cycle. Electrical components separated from spout assembly and sealed in waterproof compartments. Single hole faucet with optional 4" cc and 8" cc cover plates. All TEL5 series use an ASSE 1070 listed controller module with mixing valve.

*Note: ASSE 1070 supersedes ASSE1016 for non-shower point of use devices. Applies to TEL5 series models.

TEL3GC & TEL5GC Series

Helix® EcoPower® Faucet

SPECIFICATIONS

- **Warranty** Three year warranty
- **Material** Bronze with polished chrome finish
- **Power Supply** Hydropower self-generating system
- **Hot/Cold-water Supply** Minimum required water pressure: 20PSI
Maximum water pressure: 125PSI*
- **Water Supply Connect** 1/2" NPSM
- **Water Consumption** 60 Second Faucet: 1.0 gpm (4.0 lpm)
10 Second Faucet: 0.17 gal. per cycle (max)
- **Water Saving Function** Automatically turns OFF when user removes hands
Maximum continuous run time is 10 or 60 seconds
- **Detection time** ON feature: Immediate
OFF feature: 1 second delay
- **Detection range** Factory set at 2-1/4"
Faucet automatically sets the detection range according to the size of the basin
- **Discharge water temperature control range** Thermal Mixing Faucet: Cold water - 104°F (Max)
(When used under standard conditions)
- **Anti-scald safety feature** Provides the user protection against exposure to excessive water temperature (Thermal mixing faucet, only)

NOTE

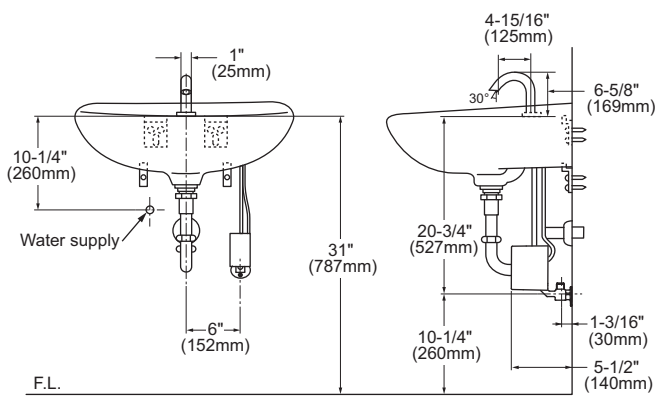
Following the Federal mandate for water efficiency outlined in the Environmental Protection Act of 1992, Faucets can be rated for water consumption based on two categories: flow rate and water consumption.

With the "Water Consumption" standard, a faucet must not use more than 0.25 gallons of water per cycle. The TOTO® faucet with a 10 second cycle uses 0.17 gallons of water. This is a 32% below the base line of 0.25 gallons per cycle.

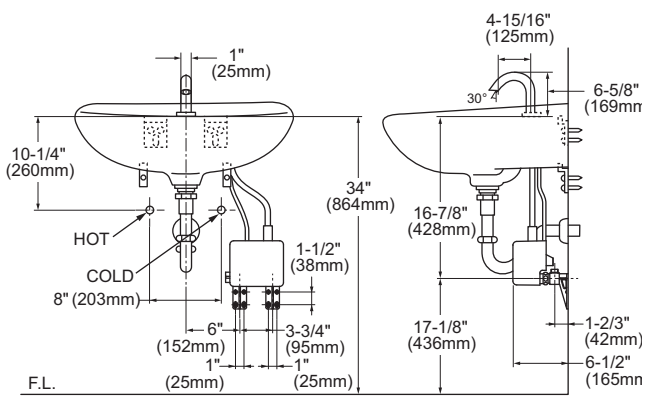
Furthermore, an innovative design feature incorporated into all TOTO electronic faucets is an "ON-DEMAND" mode. This means that the faucet will only deliver water as needed and will not run the entire duration of its rated cycle - either 10 or 60 seconds. This guarantees additional water savings.

TOTO uses water consumption because it is the most accurate method of measuring water use. This method of measurement can be incorporated into water usage calculations for various efficiency programs. For more information, please consult www.totousa.com.

*Water pressures over 80 psi are not recommended for most plumbing fixtures.



Single Supply



Thermal Mixing

Maximum deck thickness 2" (50mm)

TOTO

These dimensions and specifications are subject to change without notice

Helix® EcoPower® Faucet

FEATURES

- Self-generating hydropowered EcoPower system
- No minimum daily usage requirement
- Micro-sensor positioned underneath the spout head for accurate hand detection ensuring smooth and consistent water distribution
- Vandal resistant aerator housing
- Durable chrome plated spout body
- Single-hole mount
- Kit includes spout body, controller box, and mounting hardware - less supply lines
- 0.5 gpm aerated flow

MODELS

- TEL115-D10E**
 - TELS115 (Helix Spout)
 - TELC105-D10E (Controller: 0.09gpc, 10 sec on-demand)
- TEL115-D10EM
 - **TEL115-D10E** (Helix Spout Kit)
 - TLM10 (Mixing Valve)
- TEL115-D10ET
 - **TEL115-D10E** (Helix Spout Kit)
 - TLT10 (Thermostatic Mixing Valve)
- TEL115-C20E**
 - TELS115 (Helix Spout)
 - TELC105-C20E (Controller: 0.19gpc, 20 sec continuous)
- TEL115-C20EM
 - **TEL115-C20E** (Helix Spout Kit)
 - TLM10 (Mixing Valve)
- TEL115-C20ET
 - **TEL115-C20E** (Helix Spout Kit)
 - TLT10 (Thermostatic Mixing Valve)

COLORS/FINISHES

- #CP Polished Chrome

OPTIONAL ACCESSORIES

- THP3158#CP - 4" Cover Plate
- 71244T8CC - 8" Cover Plate
- TH559EDV566 - Laminar Flow Nozzle



PRODUCT SPECIFICATION

TOTO Model # _____ The faucet shall have hydropowered self-generating, EcoPower System. The faucet shall have maximum of 10 seconds on-demand flow (0.09gpc), or 20 seconds continuous flow (0.19gpc). Product shall have anti-scald shape memory alloy thermostatic mixing valve (-ET models only). The faucet shall have self-adjusting sensor.

CODES/STANDARDS

- Operates below federally mandated consumption limit of 0.25gpc
- Complies to California Green Building Code, CALGreen of 0.20 gpc
- Meets or exceeds ASME A112.18.1M/CSA B125.1, and NSF372-2011
- Certifications: IAPMO(cUPC), State of Massachusetts, and others
- California Green Code and City of Los Angeles Water Efficiency Ordinance
- ADA compliant
- Complies with federal and state statutes as low-lead (contains a weighted average of 0.25% lead or less)

* For codes and standards of mixing valves TLM10 and TLT10, please refer to corresponding product spec sheets.



TEL115 Series

Helix® EcoPower® Faucet

SPECIFICATIONS

Power Supply	EcoPower
Sensor Detection Range	5-1/8" - 7-7/8" (130 - 200mm) Sensor is self-adjusting
Water Supply Pressure	Min (Dynamic/Flowing) Pressure: 15psi (100kPa) Max (Static) Pressure: 80 psi (551kPa)
Water Supply	G1/2 (1/2 NPSM compatible)
Inlet Temperature Range	32-110°F(0-42°C)
Ambient Temperature	32-104°F(0-40°C)
Humidity	Max. 90% RH
Flow Rate	0.09 gpc* - max 10 second On-Demand** (0.09 gpc = 0.5 gpm x 10/60 sec) Equipped with 0.5 gpm flow control
	0.19 gpc* - 20 second Continuous*** (0.19 gpc = 0.5 gpm x 20/60 sec) Equipped with 0.5 gpm aerated flow
Warranty	Three years

NOTE

Following the federal mandate for water efficiency outlined in the Environmental Protection Act of 1992, faucets can be rated for water consumption based on two categories: Flow Rate and Water Consumption. TOTO uses the water consumption standard because it is the most accurate method of measuring water use. TOTO faucets also comply with the CALGreen Guideline of water usage.

Water Saving

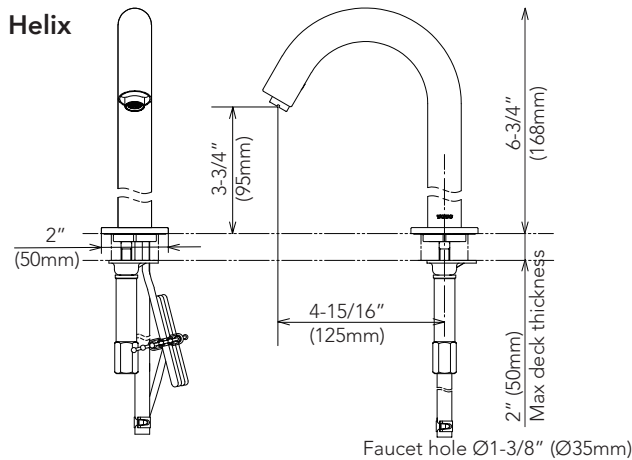
On-Demand [10 sec.] faucet (0.09gpc)
Federal Standard (0.25gpc) – 64% less
CAL Green (0.20gpc) – 55% less

Continuous [20 sec.] faucet (0.19gpc)
Federal Standard (0.25gpc) – 24% less
CAL Green (0.20gpc) – 5% less

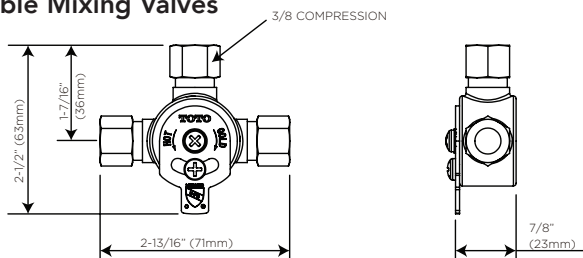
*Gallons per cycle (gpc) is the amount of water per usage cycle.

** On-demand refers to the way in which the water is dispersed (i.e.; water is only dispersed when the sensor is activated by the user as needed).

*** Continuous means that water is dispersed for a continuous 20 second cycle



Available Mixing Valves



Hot/Cold Mixing Tee (TLM10)

ThermoStatic Mixing Valve (TLT10)

TOTO®

These dimensions and specifications are subject to change without notice

Helix® Wall-Mount EcoPower® Faucet

FEATURES

- Self-generating hydropowered EcoPower system
- No minimum daily usage requirement
- Micro-sensor positioned underneath the spout head for accurate hand detection ensuring smooth and consistent water distribution
- Vandal resistant aerator housing
- Durable chrome plated spout body
- Single-hole mount
- Kit includes spout body, controller box, and mounting hardware - less supply lines
- 0.5 gpm aerated flow

MODELS

- TEL135-D10E**
 - TELS135 (Helix WM Spout)
 - TELC105-D10E (Controller: 0.09gpc, 10 sec on-demand)
- TEL135-D10EM
 - **TEL135-D10E** (Helix WM Spout Kit)
 - TLM10 (Mixing Valve)
- TEL135-D10ET
 - **TEL135-D10E** (Helix WM Spout Kit)
 - TLT10 (Thermostatic Mixing Valve)
- TEL135-C20E**
 - TELS135 (Helix WM Spout)
 - TELC105-C20E (Controller: 0.19gpc, 20 sec continuous)
- TEL135-C20EM
 - **TEL135-C20E** (Helix WM Spout Kit)
 - TLM10 (Mixing Valve)
- TEL135-C20ET
 - **TEL135-C20E** (Helix WM Spout Kit)
 - TLT10 (Thermostatic Mixing Valve)

COLORS/FINISHES

- #CP Polished Chrome

OPTIONAL ACCESSORIES

- TH559EDV566 – Laminar Flow Nozzle



PRODUCT SPECIFICATION

TOTO Model # _____ The faucet shall have hydropowered self-generating, EcoPower System. The faucet shall have maximum of 10 seconds on-demand flow (0.09gpc), or 20 seconds continuous flow (0.19gpc). Product shall have anti-scald shape memory alloy thermostatic mixing valve (-ET models only). The faucet shall have self-adjusting sensor.

CODES/STANDARDS

- Operates below federally mandated consumption limit of 0.25gpc
- Complies to California Green Building Code, CALGreen of 0.20 gpc
- Meets or exceeds ASME A112.18.1M/CSA B125.1, and NSF372-2011
- Certifications: IAPMO(cUPC), State of Massachusetts, and others
- California Green Code and City of Los Angeles Water Efficiency Ordinance
- ADA compliant
- Complies with federal and state statutes as low-lead (contains a weighted average of 0.25% lead or less)

* For codes and standards of mixing valves TLM10 and TLT10, please refer to corresponding product spec sheets.



TEL135 Series

Helix® Wall-Mount EcoPower® Faucet

SPECIFICATIONS

Power Supply	EcoPower
Sensor Detection Range	5-1/8" - 7-7/8" (130 - 200mm) Sensor is self-adjusting
Water Supply Pressure	Min (Dynamic/Flowing) Pressure: 15psi (100kPa) Max (Static) Pressure: 80 psi (551kPa)
Water Supply	G1/2 (1/2 NPSM compatible)
Inlet Temperature Range	32-110°F(0-42°C)
Ambient Temperature	32-104°F(0-40°C)
Humidity	Max. 90% RH
Flow Rate	0.09 gpc* - max 10 second On-Demand** (0.09 gpc = 0.5 gpm x 10/60 sec) Equipped with 0.5 gpm flow control
	0.19 gpc* - 20 second Continuous*** (0.19 gpc = 0.5 gpm x 20/60 sec) Equipped with 0.5 gpm aerated flow
Warranty	Three years

NOTE

Following the federal mandate for water efficiency outlined in the Environmental Protection Act of 1992, faucets can be rated for water consumption based on two categories: Flow Rate and Water Consumption. TOTO uses the water consumption standard because it is the most accurate method of measuring water use. TOTO faucets also comply with the CALGreen Guideline of water usage.

Water Saving

On-Demand [10 sec.] faucet (0.09gpc)
Federal Standard (0.25gpc) – 64% less
CAL Green (0.20gpc) – 55% less

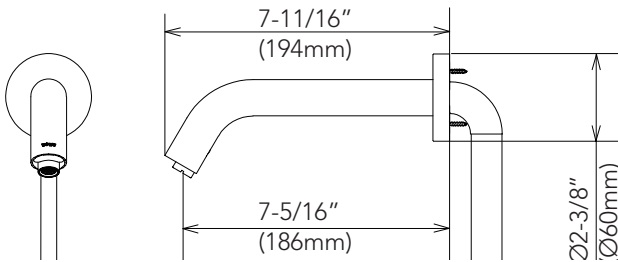
Continuous [20 sec.] faucet (0.19gpc)
Federal Standard (0.25gpc) – 24% less
CAL Green (0.20gpc) – 5% less

*Gallons per cycle (gpc) is the amount of water per usage cycle .

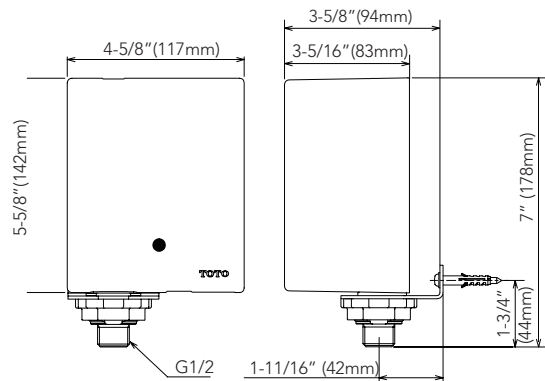
** On-demand refers to the way in which the water is dispersed (i.e.; water is only dispersed when the sensor is activated by the user as needed).

*** Continuous means that water is dispersed for a continuous 20 second cycle.

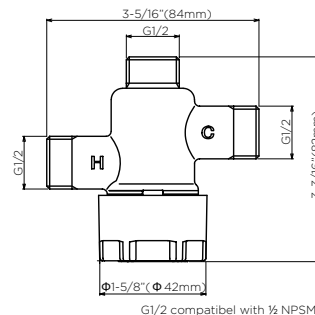
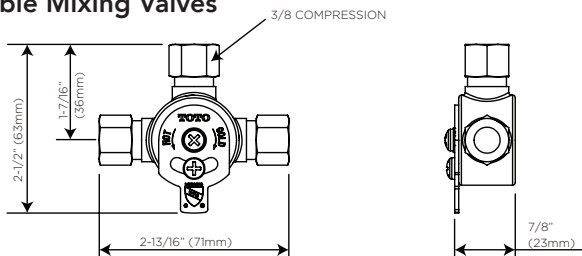
Helix Wall-Mount



Controller



Available Mixing Valves



Hot/Cold Mixing Tee (TLM10)

Thermostatic Mixing Valve NPSM (TLT10)

TOTO®

These dimensions and specifications are subject to change without notice

Axiom® EcoPower® Faucet

FEATURES

- Self-generating hydropowered EcoPower system
- No minimum daily usage requirement
- Micro-sensor positioned underneath the spout head for accurate hand detection ensuring smooth and consistent water distribution
- Vandal resistant aerator housing
- Durable chrome plated spout body
- Single-hole mount
- Kit includes spout body, controller box , and mounting hardware - less supply lines
- 0.5 gpm aerated flow

MODELS

- TEL145-D10E**
 - TELS145 (Axiom Spout)
 - TELC105-D10E (Controller: 0.09gpc, 10 sec on-demand)
- TEL145-D10EM
 - **TEL145-D10E** (Axiom Spout Kit)
 - TLM10 (Mixing Valve)
- TEL145-D10ET
 - **TEL145-D10E** (Axiom Spout Kit)
 - TLT10 (Thermostatic Mixing Valve)
- TEL145-C20E**
 - TELS145 (Axiom Spout)
 - TELC105-C20E (Controller: 0.19gpc, 20 sec continuous)
- TEL145-C20EM
 - **TEL145-C20E** (Axiom Spout Kit)
 - TLM10 (Mixing Valve)
- TEL145-C20ET
 - **TEL145-C20E** (Axiom Spout Kit)
 - TLT10 (Thermostatic Mixing Valve)

COLORS/FINISHES

- #CP Polished Chrome

OPTIONAL ACCESSORIES

- THP3158#CP - 4" Cover Plate
- 71244T8CC - 8" Cover Plate
- TH559EDV566 - Laminar Flow Nozzle



PRODUCT SPECIFICATION

TOTO Model # _____ The faucet shall have hydropowered self-generating, EcoPower System. The faucet shall have maximum of 10 seconds on-demand flow (0.09gpc), or 20 seconds continuous flow (0.19gpc). Product shall have anti-scald shape memory alloy thermostatic mixing valve (-ET models only). The faucet shall have self-adjusting sensor.

CODES/STANDARDS

- Operates below federally mandated consumption limit of 0.25gpc
- Complies to California Green Building Code, CALGreen of 0.20 gpc
- Meets or exceeds ASME A112.18.1M/CSA B125.1, and NSF372-2011
- Certifications: IAPMO(cUPC), State of Massachusetts, and others
- California Green Code and City of Los Angeles Water Efficiency Ordinance
- ADA compliant
- Complies with federal and state statutes as low-lead (contains a weighted average of 0.25% lead or less)

* For codes and standards of mixing valves TLM10 and TLT10, please refer to corresponding product spec sheets.



TEL145 Series

Axiom® EcoPower® Faucet

SPECIFICATIONS

Power Supply	EcoPower
Sensor Detection Range	5-1/8" - 7-7/8" (130 - 200mm) Sensor is self-adjusting
Water Supply Pressure	Min (Dynamic/Flowing) Pressure: 15psi (100kPa) Max (Static) Pressure: 80 psi (551kPa)
Water Supply	G1/2 (1/2 NPSM compatible)
Inlet Temperature Range	32-110°F(0-42°C)
Ambient Temperature	32-104°F(0-40°C)
Humidity	Max. 90% RH
Flow Rate	0.09 gpc* - max 10 second On-Demand** (0.09 gpc = 0.5 gpm x 10/60 sec) Equipped with 0.5 gpm flow control
	0.19 gpc* - 20 second Continuous*** (0.19 gpc = 0.5 gpm x 20/60 sec) Equipped with 0.5 gpm aerated flow
Warranty	Three years

*Gallons per cycle (gpc) is the amount of water per usage cycle .

** On-demand refers to the way in which the water is dispersed (i.e.; water is only dispersed when the sensor is activated by the user as needed).

*** Continuous means that water is dispersed for a continuous 20 second cycle.

NOTE

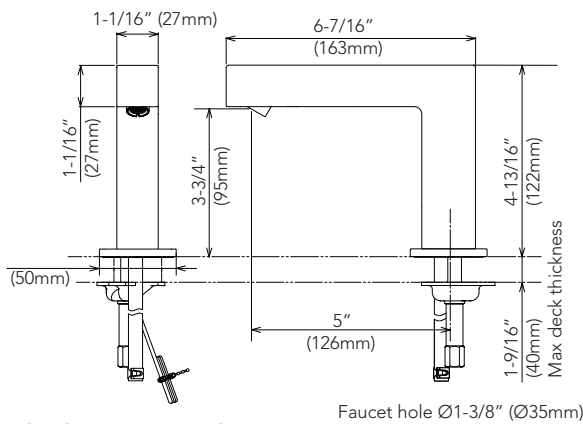
Following the federal mandate for water efficiency outlined in the Environmental Protection Act of 1992, faucets can be rated for water consumption based on two categories: Flow Rate and Water Consumption. TOTO uses the water consumption standard because it is the most accurate method of measuring water use. TOTO faucets also comply with the CALGreen Guideline of water usage.

Water Saving

On-Demand [10 sec.] faucet (0.09gpc)
Federal Standard (0.25gpc) – 64% less
CAL Green (0.20gpc) – 55% less

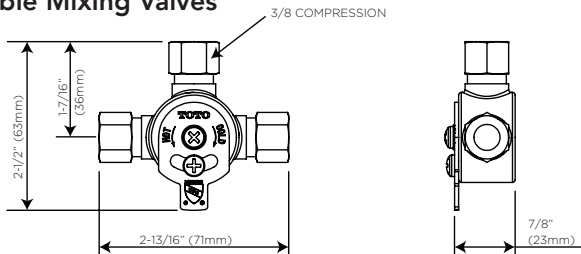
Continuous [20 sec.] faucet (0.19gpc)
Federal Standard (0.25gpc) – 24% less
CAL Green (0.20gpc) – 5% less

Axiom



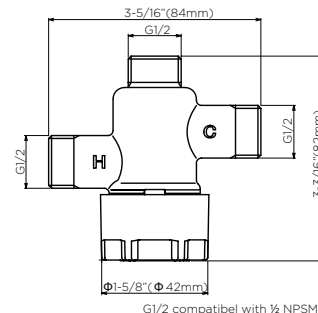
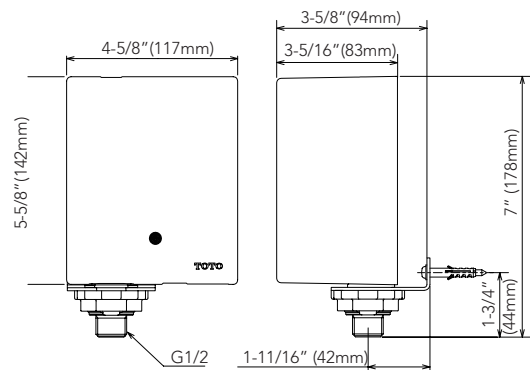
Faucet hole Ø1-3/8" (Ø35mm)

Available Mixing Valves



Hot/Cold Mixing Tee (TLM10)

Controller



Thermostatic Mixing Valve (TLT10)

TOTO

These dimensions and specifications are subject to change without notice

Gooseneck Wall-Mount EcoPower® Faucet

FEATURES

- Self-generating hydropowered EcoPower system
- No minimum daily usage requirement
- Micro-sensor positioned underneath the spout head for accurate hand detection ensuring smooth and consistent water distribution
- Vandal resistant aerator housing
- Durable chrome plated spout body
- Single-hole mount
- Kit includes spout body, controller box , and mounting hardware - less supply lines
- Equipped with 0.5gpm flow control

MODELS

- TEL165-D10E**
 - TELS165 (Gooseneck WM Spout)
 - TELC105-D10E (Controller: 0.09gpc, 10 sec on-demand)
- TEL165-D10EM
 - **TEL105-D10E** (Gooseneck WM Spout Kit)
 - TLM10 (Mixing Valve)
- TEL165-D10ET
 - **TEL165-D10E** (Gooseneck WM Spout Kit)
 - TLT10 (Thermostatic Mixing Valve)
- TEL165-C20E**
 - TELS165 (Gooseneck WM Spout)
 - TELC105-C20E (Controller: 0.19gpc, 20 sec continuous)
- TEL165-C20EM
 - **TEL165-C20E** (Gooseneck WM Spout Kit)
 - TLM10 (Mixing Valve)
- TEL165-C20ET
 - **TEL165-C20E** (Gooseneck WM Spout Kit)
 - TLT10 (Thermostatic Mixing Valve)

COLORS/FINISHES

- #CP Polished Chrome

OPTIONAL ACCESSORIES

- THP3094 - Laminar Flow Nozzle



PRODUCT SPECIFICATION

TOTO Model # _____ The faucet shall have hydropowered self-generating, EcoPower System. The faucet shall have maximum of 10 seconds on-demand flow (0.09gpc), or 20 seconds continuous flow (0.19gpc). Product shall have anti-scald shape memory alloy thermostatic mixing valve (-ET models only). The faucet shall have self-adjusting sensor.

CODES/STANDARDS

- Operates below federally mandated consumption limit of 0.25gpc
- Complies to California Green Building Code, CALGreen of 0.20 gpc
- Meets or exceeds ASME A112.18.1M/CSA B125.1, and NSF372-2011
- Certifications: IAPMO(cUPC), State of Massachusetts, and others
- California Green Code and City of Los Angeles Water Efficiency Ordinance
- ADA compliant
- Complies with federal and state statutes as low-lead (contains a weighted average of 0.25% lead or less)

* For codes and standards of mixing valves TLM10 and TLT10, please refer to corresponding product spec sheets.



TEL165 Series

Gooseneck Wall-Mount EcoPower® Faucet

SPECIFICATIONS

Power Supply	EcoPower
Sensor Detection Range	5-1/8" - 7-7/8" (130 - 200mm) Sensor is self-adjusting
Water Supply Pressure	Min (Dynamic/Flowing) Pressure: 15psi (100kPa) Max (Static) Pressure: 80 psi (551kPa)
Water Supply	G1/2 (1/2 NPSM compatible)
Inlet Temperature Range	32-110°F(0-42°C)
Ambient Temperature	32-104°F(0-40°C)
Humidity	Max. 90% RH
Flow Rate	0.09 gpc* - max 10 second On-Demand** (0.09 gpc = 0.5 gpm x 10/60 sec) Equipped with 0.5 gpm flow control
	0.19 gpc* - 20 second Continuous*** (0.19 gpc = 0.5 gpm x 20/60 sec) Equipped with 0.5 gpm flow control
Warranty	Three years

*Gallons per cycle (gpc) is the amount of water per usage cycle .

** On-demand refers to the way in which the water is dispersed (i.e.; water is only dispersed when the sensor is activated by the user as needed).

*** Continuous means that water is dispersed for a continuous 20 second cycle

NOTE

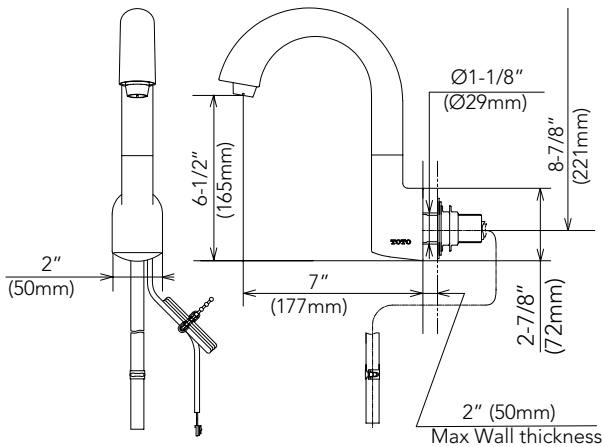
Following the federal mandate for water efficiency outlined in the Environmental Protection Act of 1992, faucets can be rated for water consumption based on two categories: Flow Rate and Water Consumption. TOTO uses the water consumption standard because it is the most accurate method of measuring water use. TOTO faucets also comply with the CALGreen Guideline of water usage.

Water Saving

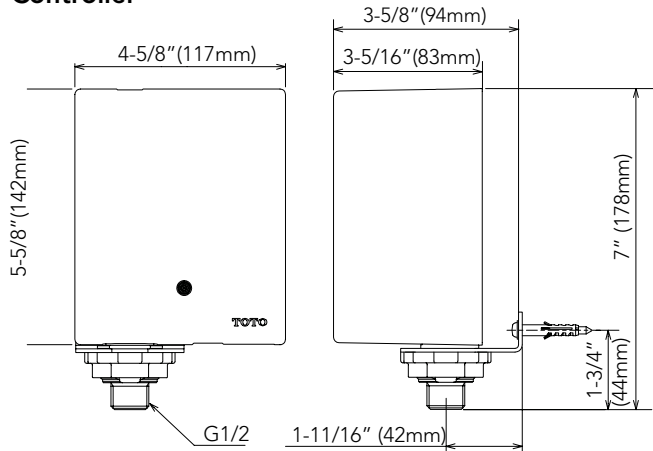
On-Demand [10 sec.] faucet (0.09gpc)
Federal Standard (0.25gpc) – 64% less
CAL Green (0.20gpc) – 55% less

Continuous [20 sec.] faucet (0.19gpc)
Federal Standard (0.25gpc) – 24% less
CAL Green (0.20gpc) – 5% less

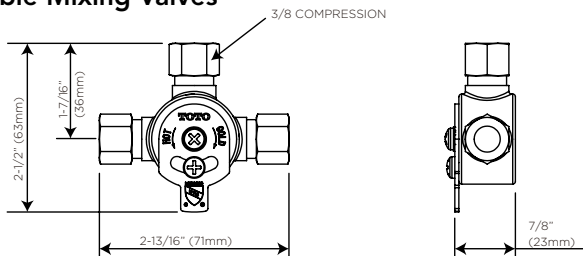
Gooseneck Wall-Mount



Controller

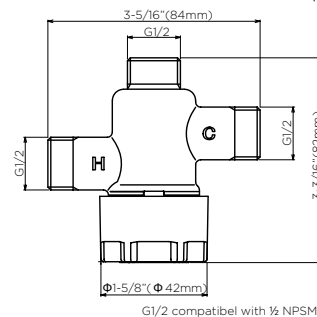


Available Mixing Valves



Hot/Cold Mixing Tee (TLM10)

TOTO



Thermostatic Mixing Valve (TLT10)

These dimensions and specifications are subject to change without notice



Data Sheet



VELTIA® an innovative hand dryer that operates without heating element. Operates automatically when putting your hands in the drying chamber and works based on high speed air allowing to dry hands in a very short time leaving on the skin a nice feeling of a massage.

Besides a great effectiveness, **VELTIA®** includes a bad scents elimination system thanks to **ZEROSMELL®** (sold separately).

VELTIA® is ideal for washrooms with medium and high number of users per day.

Patent Number: **WO / 2006 / 042896**

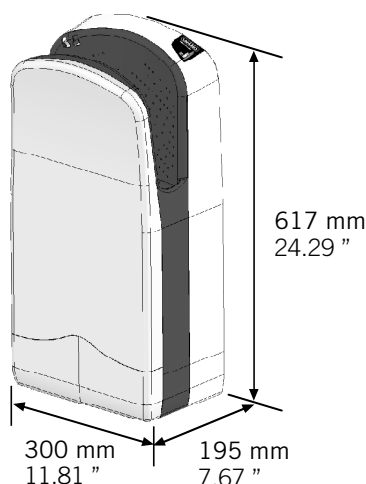
TECHNICAL, ENVIRONMENTAL AND MECHANICAL SPECIFICATIONS

MODEL:	240V	120V
Voltage	220/230/240V~	110/120V~
Frequency	50/60 Hz	50/60 Hz
Power consumption	1.760 W	1.749 W
Current (Running)	8.0A @ 230Vac	15.9A @ 120Vac
Electrical Isolation	Class II*	Class II*
Air Speed	200 Km/h (125 Mph)	200 Km/h (125 Mph)
Drying Time	10-15 s	10-15 s
Dimensions	300 x 195 x 617 (mm)	300 x 195 x 617 (mm)
	11.81x7.67x24.29 (inches)	11.81x7.67x24.29 (inches)
Weight	9.55 Kg (21.1 Lb)	9.55 Kg (21.1 Lb)
IP Code	IP33	IP33
Noise (@ 2 mt)	70 dB	70 dB
Number of Motors	2	2
Motors Speed	30.000 rpm	30.000 rpm
Motors Driving System	Soft Starting	Soft Starting
Hands Detection System	IR - Barrier	IR - Barrier

MATERIALS

Housing case and water tank made of High impact 2.6mm thick ABS with antibacterial protection in drying area
All plastic pieces are properly prepared for recycling
Internal parts are contained by fire retardant plastic rated 5VA according to directive UL94
VELTIA complies with ROHS directive

DIMENSIONS



CERTIFICATIONS

Europeans Directives:

Other Certifications
D89/336/CEE y D92/31/CEE;
D73/23/CEE y D93/68/CEE;
D98/37/CEE;
D92/59/CEE y D2001/95/CEE

Other Certifications:

ANCE NOM, SABS, UL

Product information subject to changes without further notice

Rev.:1.1

Oct 2.008

VELTEK SYSTEMS S.L.

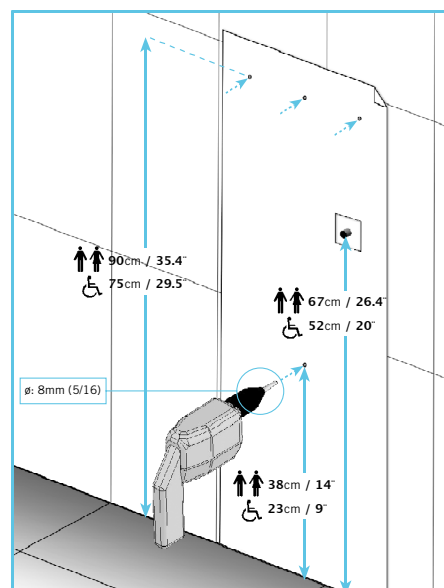
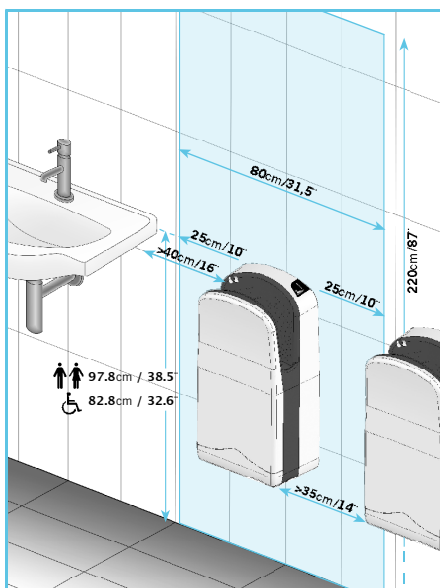
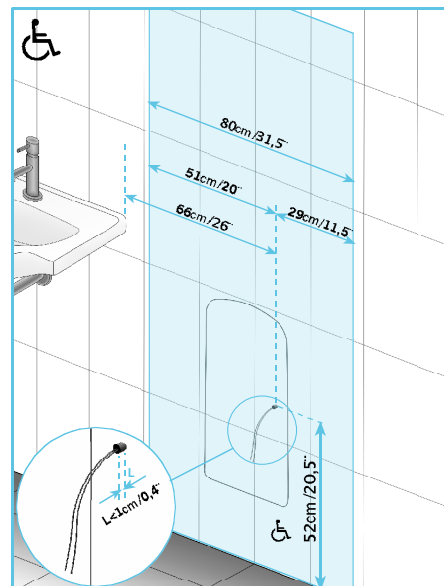
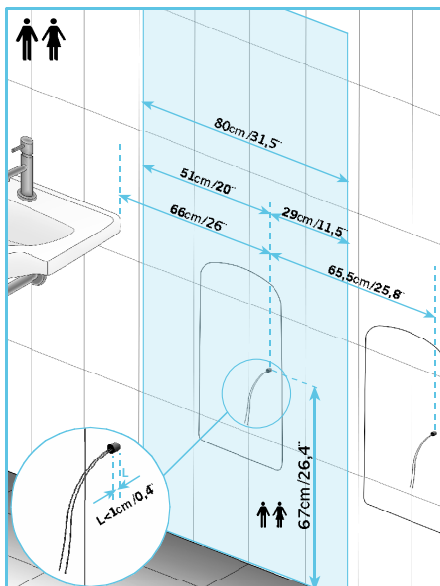
1/2



Data Sheet



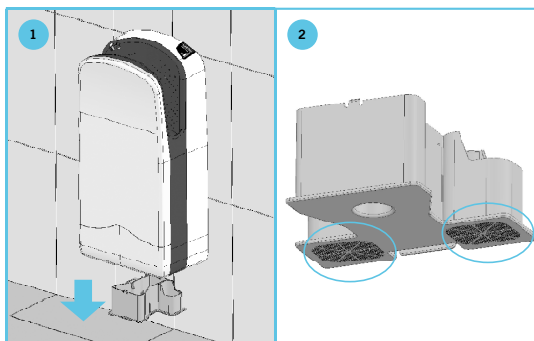
RECOMENDED HEIGHTS FOR INSTALLATION



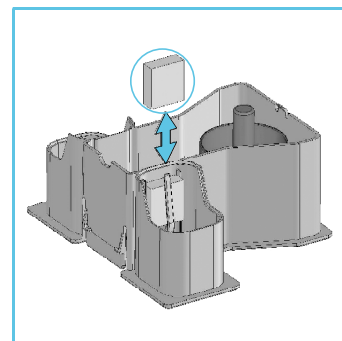
MAINTENANCE



Warning: Water tank full; must be emptied.



Air Filters: To be checked often and cleaned if necessary.



ZeroSmell®: Must be changed every 3 months.



Product information subject to changes without further notice

Rev.:1.1

Oct 2.008

VELTEK SYSTEMS S.L.

2/2

Sensor Activated Clean Dry® Hand Dryer

FEATURES

- Hygienic sensor-activated hand dryer
- Double-sided blowers for faster dry time
- Sleek and compact design
- 208 mph of air speed
- Side panels and water tray to prevent water from trickling to the floor
- Low operating noise - 57dB(A)
- Energy efficient

COLORS/FINISHES

- #WH White

CODES/STANDARDS

- Meets or exceeds ANSI/UL 507, 9th edition, Rev. June 18th 2012 and CSA C22.2 No. 113-12 Oct 2012.
- Certifications: Intertek/ETL



PRODUCT SPECIFICATION

TOTO Model No. HDR120#WH shall be a sensor activated hand dryer. Product shall have double-sided blowers with 208mph of air speed. Product shall have the decibel rating of 57dB(A) and power rating of 690 W.



HDR120#WH

Sensor Activated Clean Dry® Hand Dryer

SPECIFICATIONS

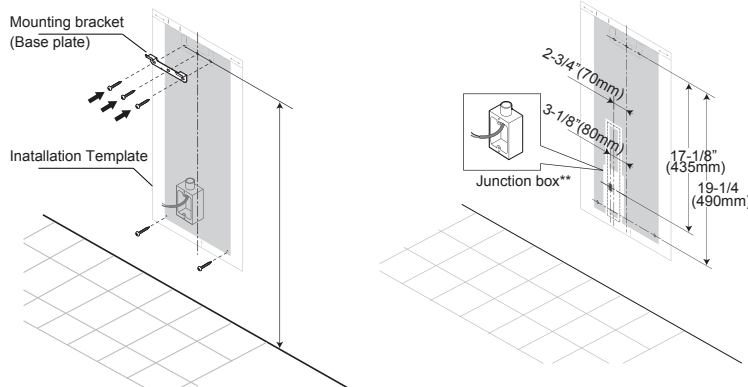
- Warranty One Year Warranty
- Power Connection Hardwired
- Power Rating 120V AC, 5.75 Amps, 60 Hz, 690 W
- Power Saving Function Automatically turns OFF when hands are removed or after 30 seconds of use
- Air Speed 208mph
- Water Tray Capacity 0.25gal (950ml)
- Unit Size 11 13/16" x 7 3/8" x 21 5/8"
- Unit Weight 16.1lb (7.3kg)
- Operating Temperature 32°-104°F (0°-40°C)
- Shipping Size 25-5/8" x 14-31/32" x 10-15/16" (650mm x 380mm x 277mm)
- Shipping Weight 21.4lb (9.7kg)

These dimensions and specifications are subject to change without notice.

INSTALLATION NOTES

For ADA installation, refer to codes. See the template for locating the installation of the mounting bracket.

ROUGH-IN

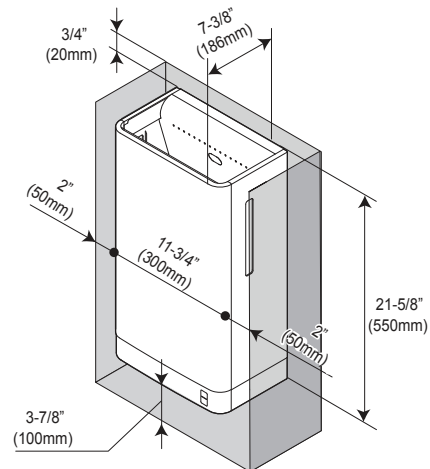


Recommended mounting bracket heights from floor are as follows:

General users: 35" [890mm]
 Children: 26-1/8" [665mm]
 ADA: 34" [865] **

**For ADA installation, refer to codes.

**Does not include junction box



***Clearance is required in order to take the water tray side covers for cleaning and maintenance.

FEATURES

- High speed hand dryer
- Hygienic, touch-free operation
- Splash resistant
- Water tray to prevent slip and fall
- Space saving, compact design
- Low Operating noise 57dB(A)
- Energy Efficient 390W
- AC powered

COLORS/FINISHES

- #WH White

CODES/STANDARDS

- Meets or exceeds ANSI/UL 507, 9th edition, Rev. June 18th 2012 and CSA C22.2 No. 113-12 Oct 2012.
- Certifications: Intertek/ETL
- Code Compliance: NEC, CEC



PRODUCT SPECIFICATION

TOTO Model No. HDR101#WH shall be a high speed hand dryer. The product shall provide hygienic, touch-free operation. The product shall have water tray to prevent wet floor. The product shall have operating noise of 57dB(A) or less. The product shall be AC powered and consume 390 W or less.



HDR101#WH

Clean Dry® High Speed Hand Dryer

SPECIFICATIONS

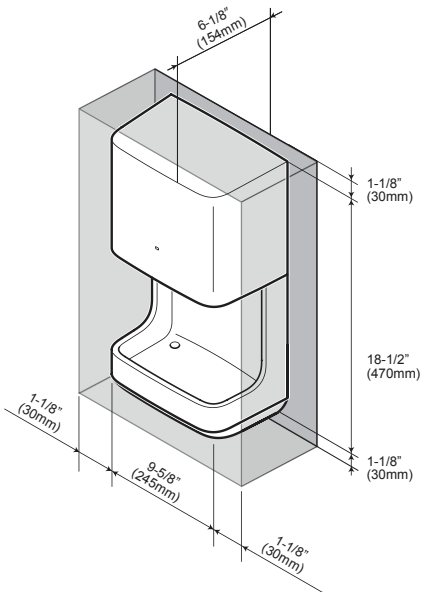
- Warranty One Year Warranty
- Power Connection Hardwired
- Power Rating 120V AC, 3.3Amps, 60 Hz, 390 W
- Power Saving Function Automatically turns OFF when hands are removed or after 60 seconds of use
- Air Speed 220 mph
- Water Tray Capacity 0.15 gal (600 ml)
- Unit Size 9-5/8" x 6-1/8" x 18-1/2"
(245mm x 154mm x 470mm)
- Unit Weight 7.9 lb (3.6 kg)
- Operating Temperature 32F°-113F° (0C°-45C°)
- Shipping Size 20-3/8" x 11-3/8" x 7-1/2"
(518mm x 289mm x 190mm)
- Shipping Weight 10.6lb (4.8kg)

These dimensions and specifications are subject to change without notice.

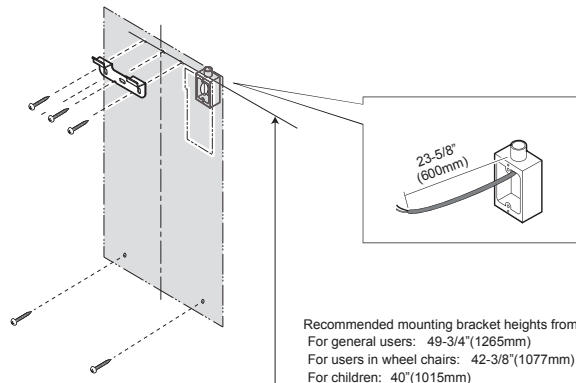
INSTALLATION NOTES

Check local code requirements for additional mounting height details.

ROUGH-IN



For installation/uninstallation and proper functioning of front cover and water tray, keep some empty space around the product. There should be no obstructions within 30 mm from either side, 30 mm from the bottom, or 30 mm from the top of the product.



Meets the American Disabilities Act Guidelines, ANSI A117.1 and CSA B651 requirements when mounted in a recessed wall where the front surface is not more than 4" (102mm) from finished wall and mounting height for U.S. is 48" (1219mm) max to blower outlet from floor, and for Canada is 47-1/4" (1200mm) max to blower outlet from floor. Check local code requirements for additional mounting height details.

TOTO®

These dimensions and specifications are subject to change without notice

Clean Dry® High Speed Hand Dryer

FEATURES

- High speed hand dryer
- Hygienic, touch-free operation
- Splash resistant
- Space saving, in-wall design
- Vandal proof water tray
- Low Operating noise 56dB(A)
- Energy Efficient 390W
- AC powered
- Stainless Steel Cover
- Flush mount
- ADA compliant

COLORS/FINISHES

- #SS Stainless Steel Finish

CODES/STANDARDS

- Meets or exceeds ANSI/UL 507, 9th edition, Rev. June 18th 2012 and CSA C22.2 No. 113-12 Oct 2012.
- Certifications: Intertek/ETL
- Code Compliance: NEC, CEC
- ADA compliant



PRODUCT SPECIFICATION

TOTO Model No. HDR111#SS shall be a high speed hand dryer. The product shall provide hygienic, touch-free operation. The product shall have vandal proof water tray to prevent wet floor. The product shall have operating noise of 56dB(A) or less. The product shall be AC powered and consume 390 W or less. The product shall have stainless steel cover. The product shall allow for flush mount and be ADA compliant.



HDR111#SS

Clean Dry® High Speed Hand Dryer

SPECIFICATIONS

- Warranty One Year Warranty
- Power Connection Hardwired
- Power Rating 120V AC, 3.3Amps, 60 Hz, 390 W
- Power Saving Function Automatically turns OFF when hands are removed or after 60 seconds of use
- Air Speed 221 mph
- Water Tray Capacity 0.22 gal (850 ml)
- Unit Size 12-5/8" x 6-1/2" x 22-5/8"
(320mm x 164mm x 575mm)
- Unit Weight 16.7 lb (7.6 kg)
- Operating Temperature 32F°-113F° (0C°-45C°)
- Shipping Size 27-1/8" x 15-3/4" x 8-13/16"
(690mm x 398mm x 223mm)
- Shipping Weight 22.7lb (10.3kg)

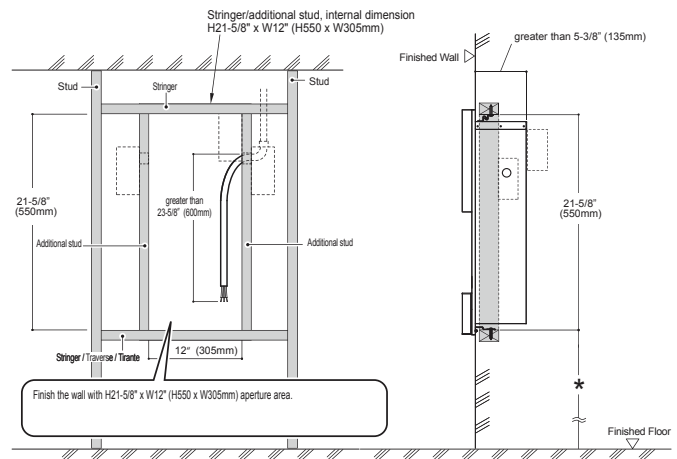
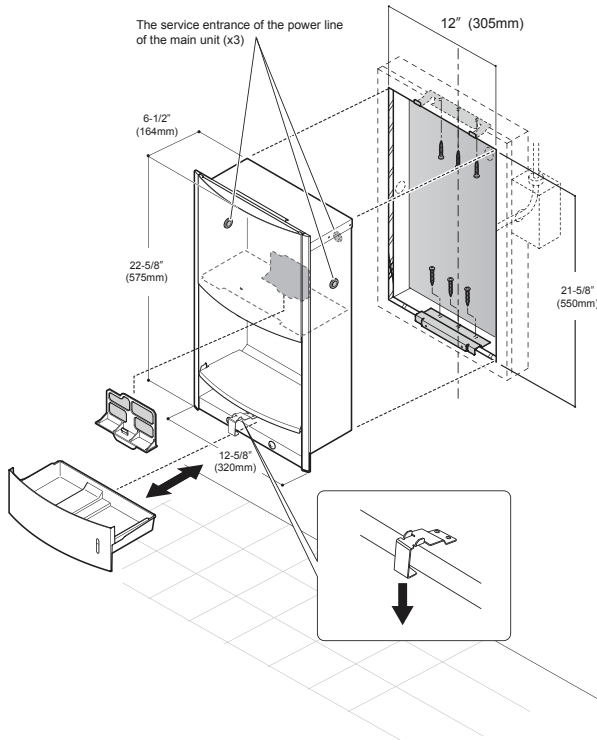
These dimensions and specifications are subject to change without notice.

INSTALLATION NOTES

Meets the American Disabilities Act Guidelines, ANSI A117.1 and CSA B651 requirements when mounted in a recessed wall where the front surface is not more than 4" (102mm) from finished wall and mounting height for U.S. is 48" (1219mm) max to blower outlet from finished floor, and for Canada is 47-1/4" (1200mm) max to blower outlet from finished floor.

Check local code requirements for additional mounting height details.

ROUGH-IN



- * Recommended mounting bracket (lower) heights from floor are as follow:
 - For general users: 31-1/4" (795mm)
 - For users in wheel chairs: 23-7/8" (607mm)
 - For children: 21-1/2" (545mm)

Meets the American Disabilities Act Guidelines, ANSI A117.1 and CSA B651 requirements when mounting height for U.S. is 48" (1219mm) max to blower outlet from floor, and for Canada is 47-1/4" (1200mm) max to blower outlet from floor. Check local code requirements for additional mounting height details.

Clean Dry® High Speed Hand Dryer

FEATURES

- High speed hand dryer
- Hygienic, touch-free operation
- Durable aluminium construction
- Low Operating noise 55dB(A)
- Energy Efficient 390W
- AC powered

COLORS/FINISHES

- #SV Silver

CODES/STANDARDS

- Meets or exceeds ANSI/UL 507, 9th edition, Rev. June 18th 2012 and CSA C22.2 No. 113-12 Oct 2012.
- Certifications: Intertek/ETL
- Code Compliance: NEC, CEC



PRODUCT SPECIFICATION

TOTO Model No. HDR130#SV shall be a high speed hand dryer. The product shall provide hygienic, touch-free operation. The product shall have operating noise of 55dB(A) or less. The product shall be AC powered and consume 390 W or less.



HDR130#SV

Clean Dry® High Speed Hand Dryer

SPECIFICATIONS

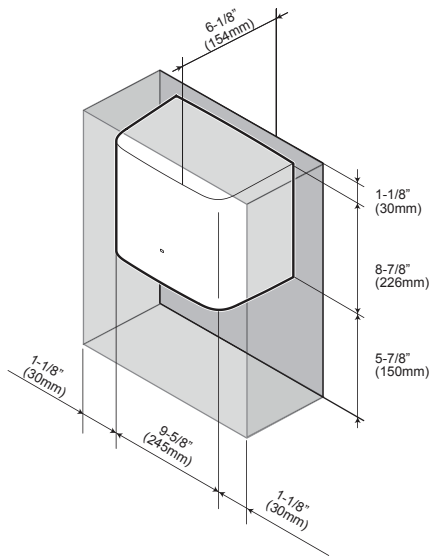
- Warranty One Year Warranty
- Power Connection Hardwired
- Power Rating 120V AC, 3.3Amps, 60 Hz, 390 W
- Power Saving Function Automatically turns OFF when hands are removed or after 30 seconds of use
- Air Speed 221 mph
- Unit Size 9-5/8" x 6-1/8" x 9"
(245mm x 154mm x 230mm)
- Unit Weight 8.2 lb (3.7 kg)
- Operating Temperature 32F°-113F° (0C°-45C°)
- Shipping Size 11-3/8" x 11-3/8" x 7-1/2"
(290mm x 289mm x 190mm)
- Shipping Weight 10.6lb (4.8kg)

These dimensions and specifications are subject to change without notice.

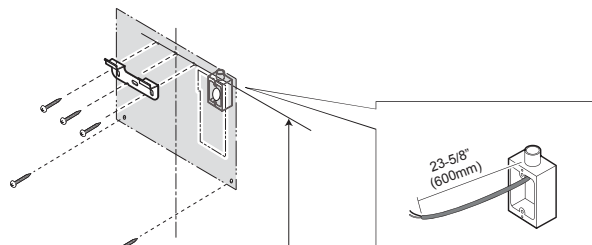
INSTALLATION NOTES

Check local code requirements for additional mounting height details.

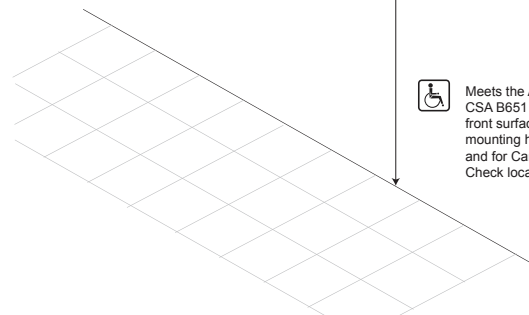
ROUGH-IN



Keep some empty space around the product. There should be no obstructions within 30 mm from each side, 150 mm from the bottom, 30 mm from the top.



Recommended mounting bracket heights from floor are as follow
For general users: 49-3/4" (1265mm)
For users in wheel chairs: 42-3/8" (1077mm)
For children: 40" (1015mm)



Meets the American Disabilities Act Guidelines, ANSI A117.1 and CSA B651 requirements when mounted in a recessed wall where the front surface is not more than 4" (102mm) from finished wall and mounting height for U.S. is 48" (1219mm) max to blower outlet from floor, and for Canada is 47-1/4" (1200mm) max to blower outlet from floor. Check local code requirements for additional mounting height details.

TOTO®

These dimensions and specifications are subject to change without notice