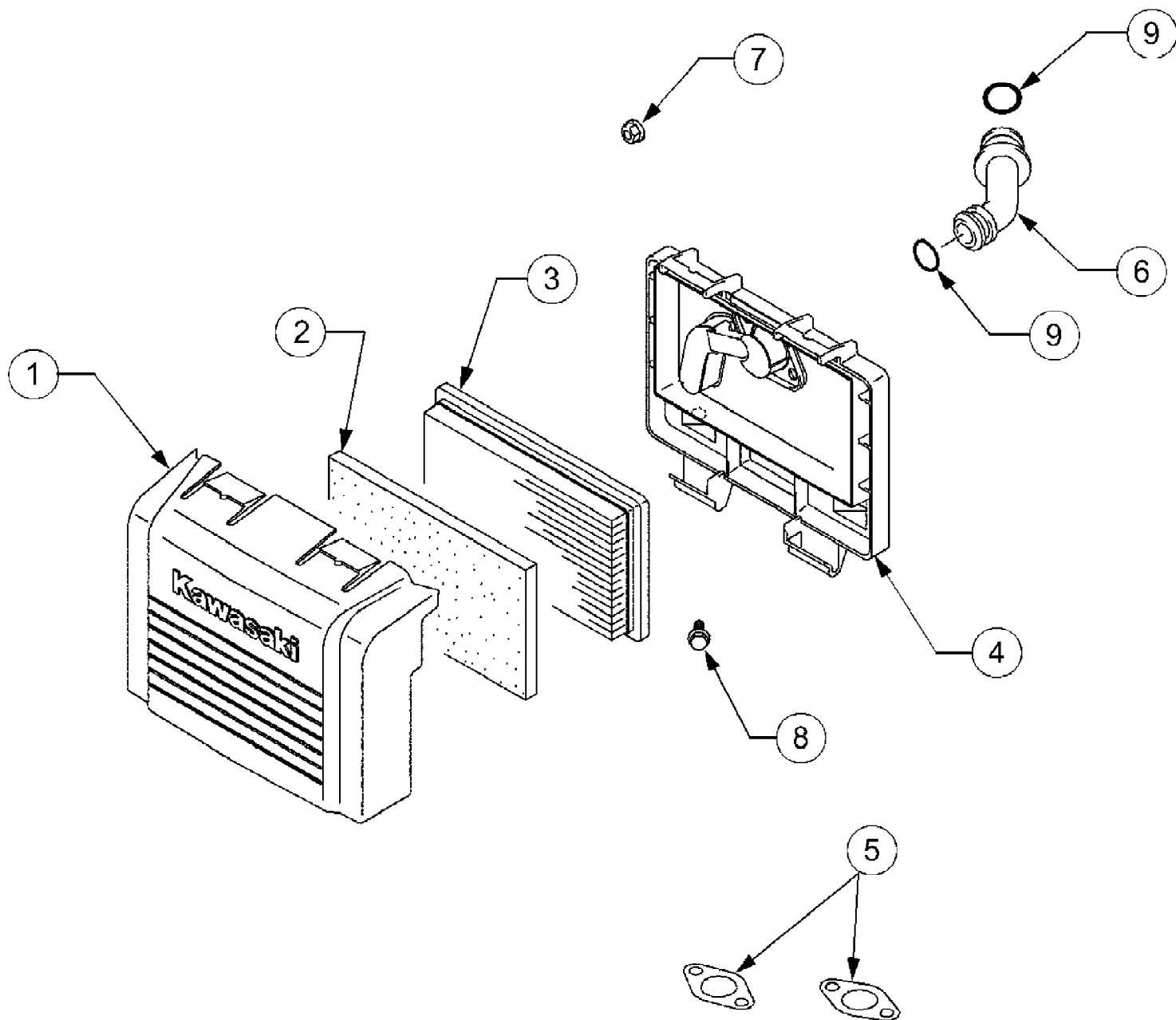


1525
Adjustable Seat

Page 2 of 54

Ref #	Part Number	Qty	S/P/F	Description
1	17239A	1	S	Bracket, Seat Lift
2	710-1268	2	/P	Screw, #10-16, 0.375
3	712-3004A	2	/P	Nut, Flange Lock, 5/16-18, Gr5
4	712-3027	1	S	Nut, Flange Lock, 1/4-20
5	720-0433	1		Grip, Seat, Adjustment (Yellow)
6	726-0201	2		Nut, Speed, .3125 ID
7	731-1989	4		Spacer, Seat, Adjustment
8	732-0499	1		Spring, Compression .41 OD x 1.50
9	732-1027	1		Spring, Extension, .80 Dia x 4.2 Lg.
10	732-1175	1		Spring, Extension, .815 Dia x 4.4 Lg.
11	736-0175	1	S	Washer, Spring, .265 x .562 x .025
12	736-0204	1	/P	Washer, Flat, .344 ID x .62 OD
13	736-0275	2	S	Washer, Flat, .344 x .688 x .065
14	736-3019	2		Washer, Flat, .531 x 1.062 x .134
15	738-0137A	1	S	Screw, Shoulder, .340 x .285, 1/4-20
16	738-0296	2	S	Shoulder, Screw .437 x .286 Lg
17	738-1198	4		Screw, Shoulder, .50 x .50, 5/16-18
18	783-0209A	1	S	Bracket, Seat Lift
19	783-0611	1		Stop, Seat, Adjustment
20	783-0738A	1	S	Bracket, Pivot, Seat
21	783-0739	1		Lever, Seat, Adjustment
22	783-0753	1		Selector, Seat, Adjustment
23	757-04004	1	S	Seat, Mid-back, V-1480

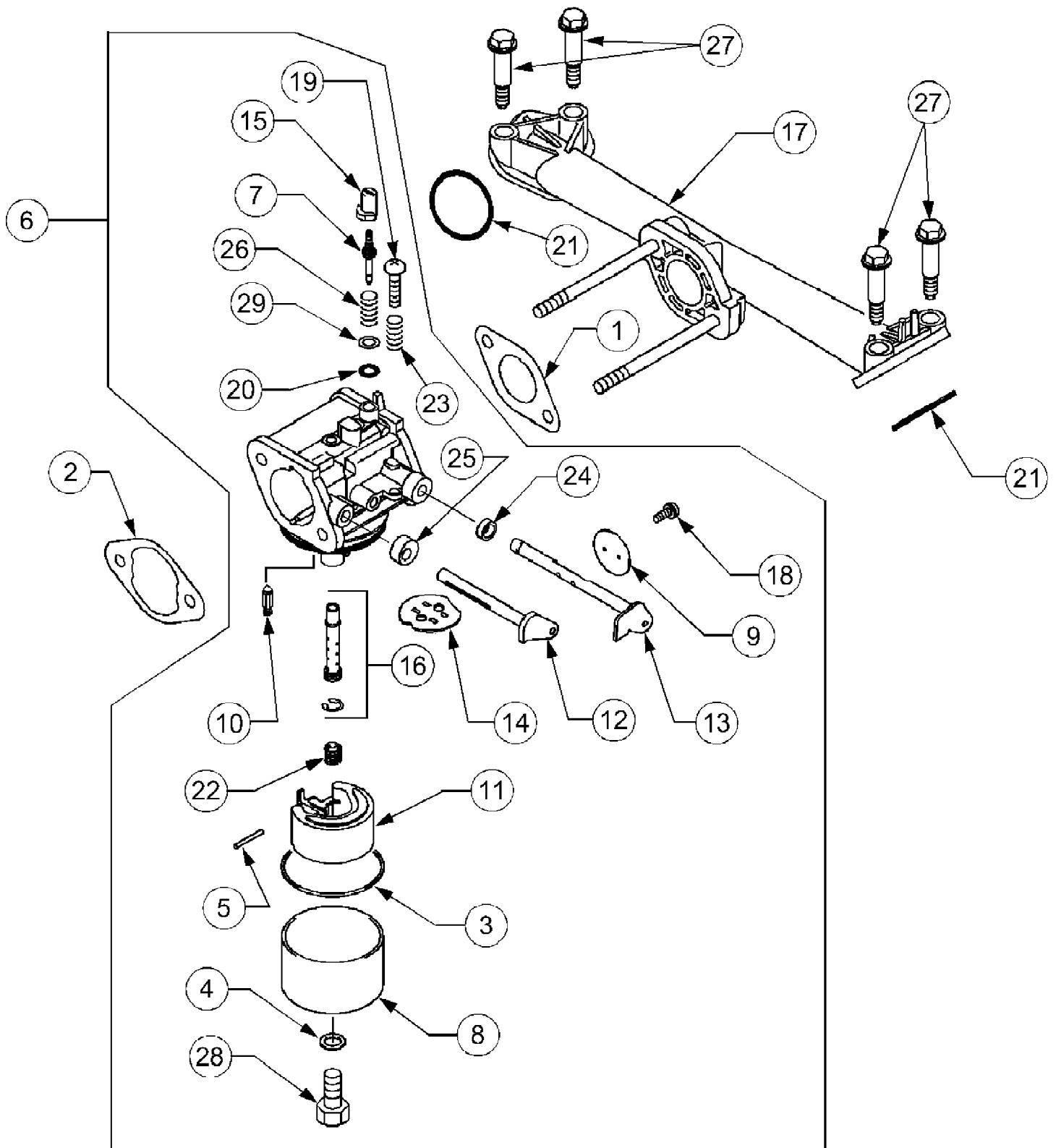


1525

Page 4 of 54

Air Filter/Muffler Gasket

Ref #	Part Number	Qty	S/P/F	Description
1	KM-11011-7009	1	S	Case, Air Filter Upper
2	KM-11013-7016	1	S	Element, Air Filter
3	KM-11013-7017	1		Element, Air Filter
4	KM-11038-7004	1	S	Case Assy, Air Filter Lower
5	KM-11060-7021	2	/P	Gasket, Muffler
6	KM-32153-7007	1	S	Pipe, Breather
7	KM-92015-1193	2		Nut
8	KM-92153-7007	2		Bolt
9	KM-670B2010	2		O-Ring,10mm

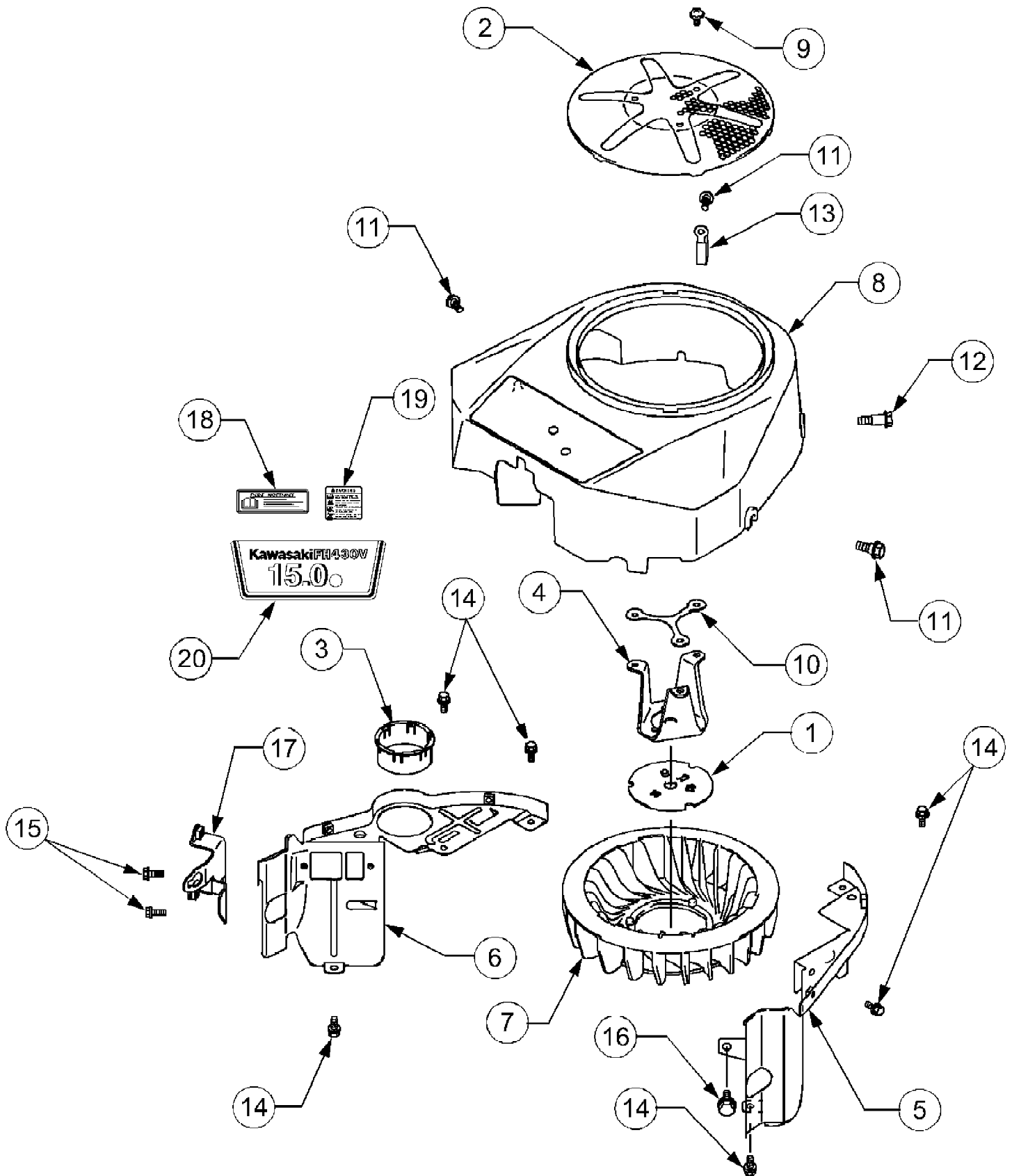


1525

Page 6 of 54

Carburetor/Intake Manifold

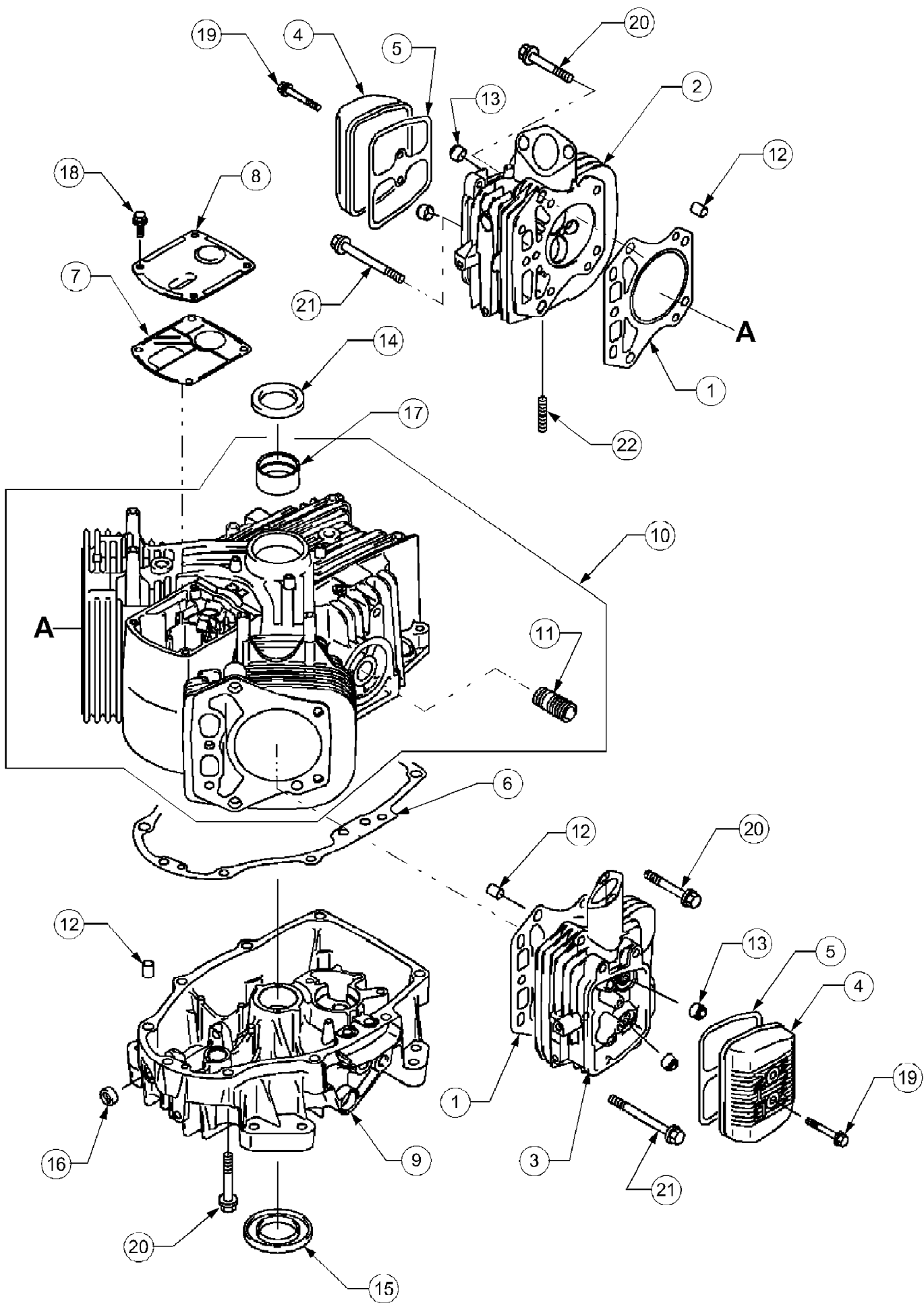
Ref #	Part Number	Qty	S/P/F	Description
1	KM-11061-7004	1	/P	Gasket, Manifold - Carb
2	KM-11061-7005	1	S	Gasket, Carb
3	KM-11061-7009	1		Gasket, Chamber
4	KM-11061-7010	1		Gasket
5	KM-13107-7018	1		Shaft
6	KM-15003-7047	1	S	Carburetor Assy
7	KM-16014-7001	1	S	Screw, Pilot Air
8	KM-16020-7003	1		Chamber, Float
9	KM-16025-7006	1		Valve, Throttle
10	KM-16030-7003	1		Valve, Float
11	KM-16031-7002	1		Float
12	KM-16041-7016	1		Shaft, Carburetor Choke
13	KM-16041-7018	1		Shaft, Carburetor Throttle
14	KM-16186-7002	1		Valve Assy, Choke
15	KM-39076-7001	1		Limiter
16	KM-49121-7001	1		Nozzle, Main
17	KM-59076-7005	1		Manifold, Intake
18	KM-92009-2083	2		Screw
19	KM-92009-2349	1		Screw
20	KM-92055-2174	1		O-Ring
21	KM-92055-7007	2		O-Ring, Id=31
22	KM-92063-7026	1		Jet, Main, #88
23	KM-92081-2234	1		Spring
24	KM-92093-2100	1		Seal
25	KM-92093-7003	1		Seal
26	KM-92145-7015	1		Spring
27	KM-92153-7009	4		Bolt
28	KM-92172-7001	1	S	Screw
29	KM-92200-7014	1		Washer



1525
Cooling

Page 8 of 54

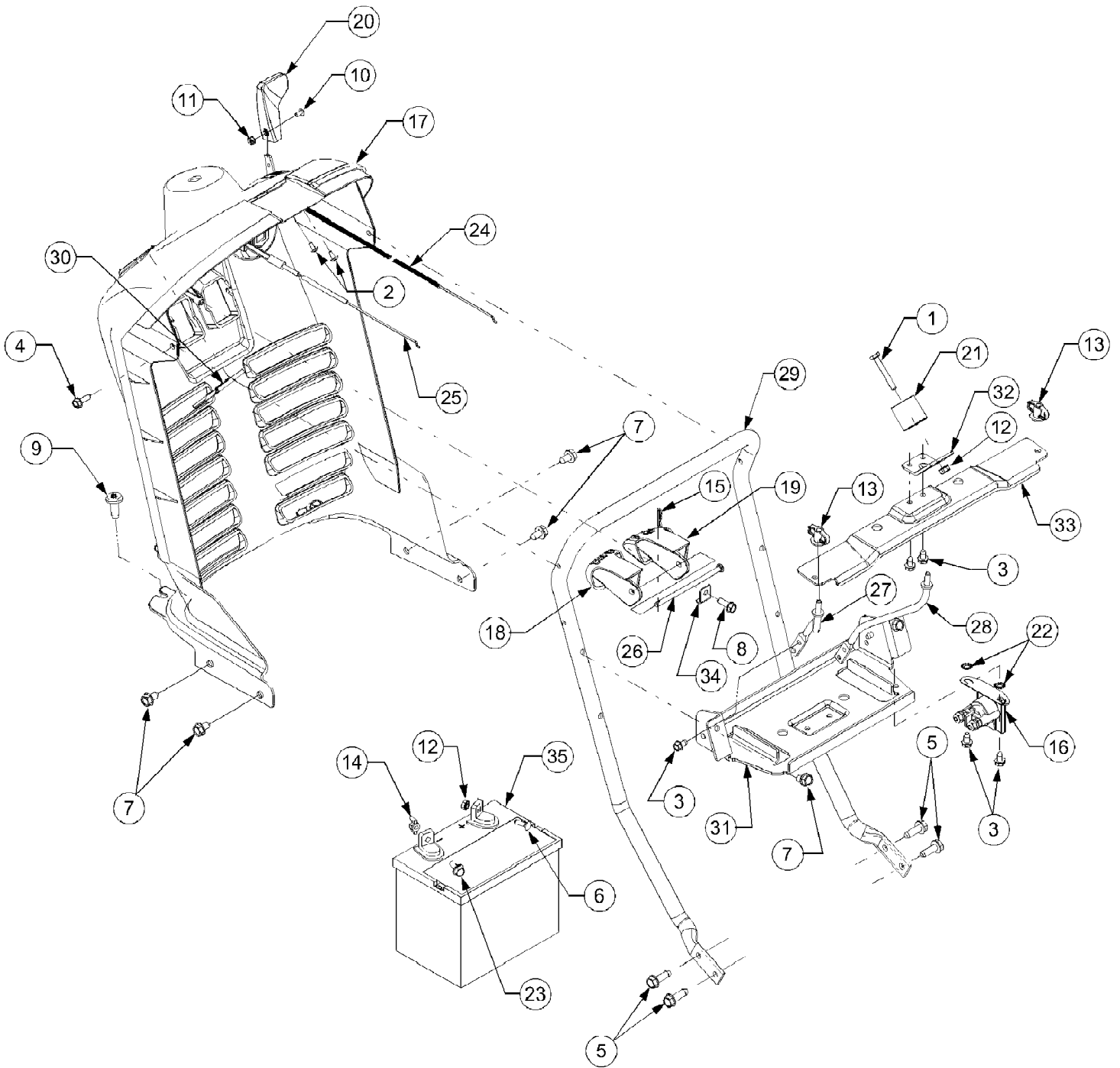
Ref #	Part Number	Qty	S/P/F	Description
1	KM-13270-7007	1		Plate
2	KM-14037-7010	1	S	Screen
3	KM-14091-7008	1		Cover
4	KM-23062-7008	1	S	Bracket, Comp
5	KM-49089-7023	1		Shroud, Engine, #2 Cylinder
6	KM-49089-7025	1	S	Shroud, Engine
7	KM-59041-7001	1	S	Fan
8	KM-59066-7008	1		Housing, Fan
9	KM-92009-7008	3	S	Screw, 6x10
10	KM-92026-7007	1	/P	Spacer
11	KM-92153-7007	3		Bolt
12	KM-92153-7008	1		Bolt
13	KM-92171-7005	1		Clamp
14	KM-130B0612	6	S	Bolt, Flanged
15	KM-130B0616	2	S	Bolt, Flanged
16	KM-130B0816	1	S	Bolt, Flanged
17	KM-23062-7004-9H	1		Bracket
18	KM-56033-7001	1		Label, Manual
19	KM-56070-7001	1		Label, Warning
20	KM-56080-7016	1		Label, Brand



1525
Cylinder/Crankcase

Page 10 of 54

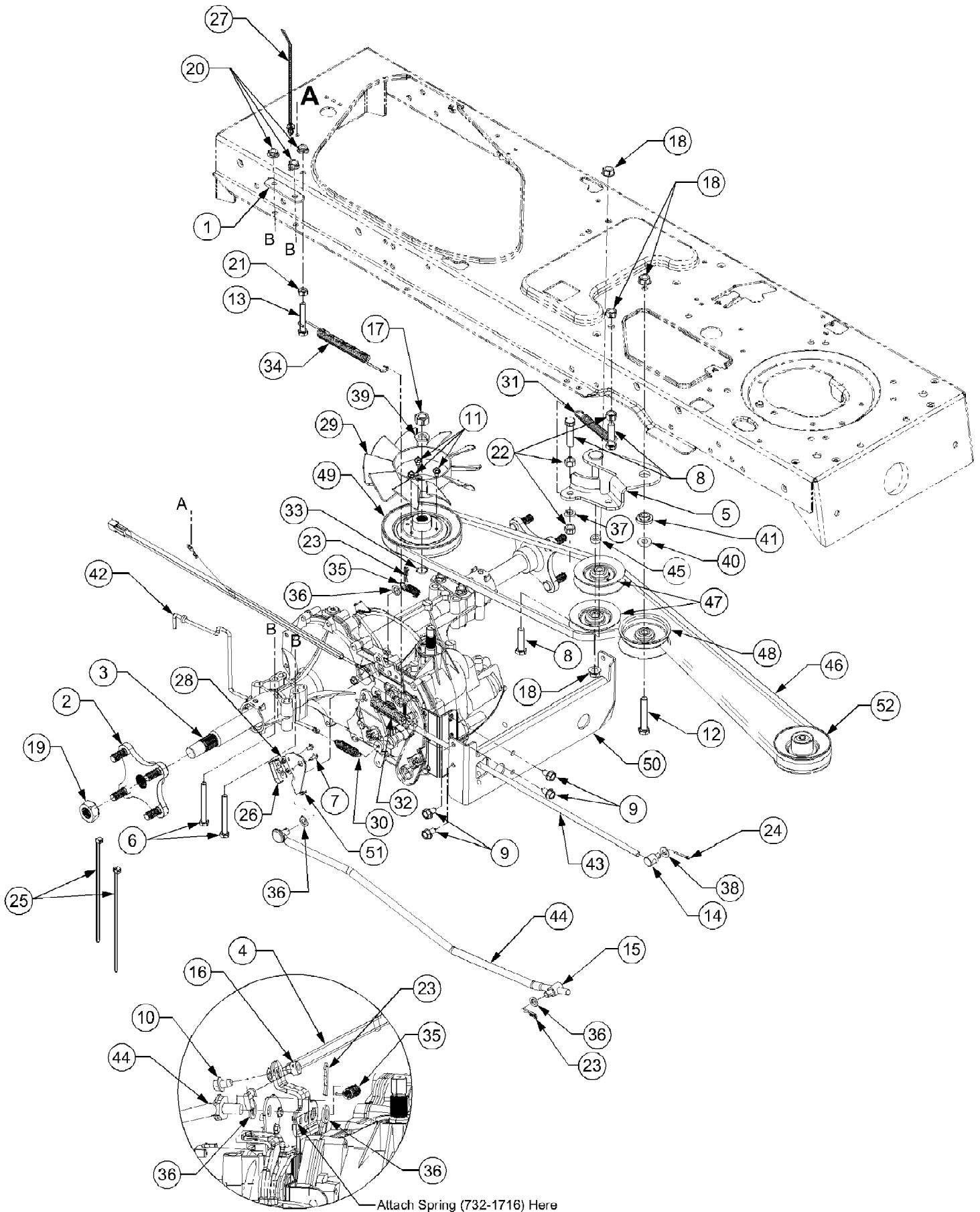
Ref #	Part Number	Qty	S/P/F	Description
1	KM-11004-7008	2	S	Gasket, Head
2	KM-11008-7010	1		Head, Cylinder #1 Complete
3	KM-11008-7011	1	S	Head, Cylinder #2 Complete
4	KM-11022-7003	2		Case, Rocker
5	KM-11060-7001	2		Gasket, Rocker Case
6	KM-11061-7007	1		Gasket, Crankcase Cover
7	KM-11061-7008	1		Gasket, Breather
8	KM-14091-7007	1		Cover
9	KM-49015-7009	1		Cover, Crankcase
10	KM-49120-7015	1		Crankcase, Complete
11	KM-59071-2079	1		Joint
12	KM-92043-7001	6		Pin
13	KM-92049-7001	4	/P	Seal, Oil rvc2 6x11x10.2
14	KM-92049-7002	1	S	Seal, Oil 35-48-8 Tc
15	KM-92049-7004	1	S	Seal, Oil 35-62-8 Tc
16	KM-92049-7005	1		Seal, Oil 8x14x5 Hs
17	KM-92139-7002	1		Bushing
18	KM-130B0612	4	S	Bolt, Flanged
19	KM-130B0640	4	S	Bolt, Flanged
20	KM-130T0850	17	S	Bolt, Flanged
21	KM-130T0875	2	S	Bolt, Flanged
22	KM-172G0818	4		Bolt, Stud



1525
Dash Panel

Page 12 of 54

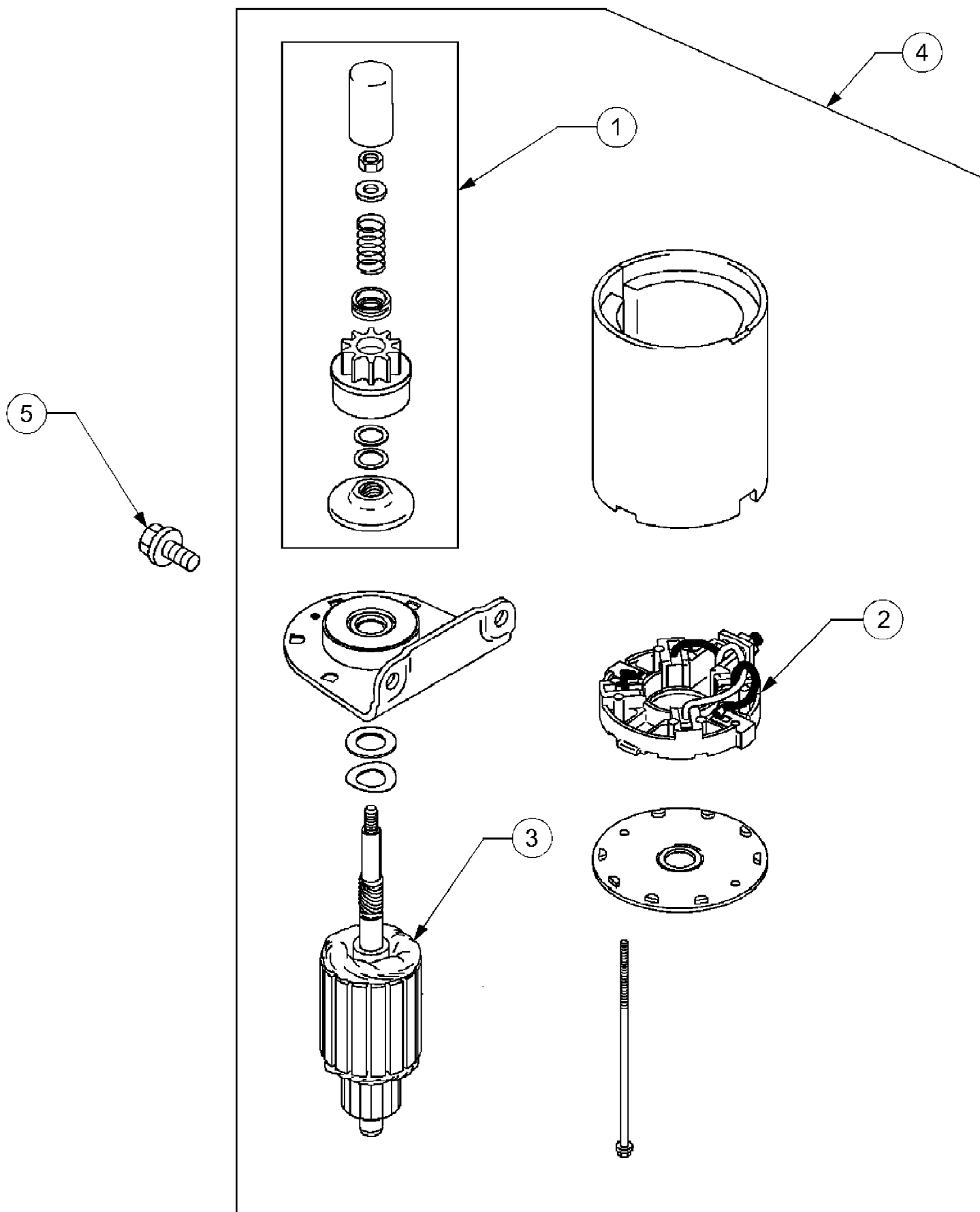
Ref #	Part Number	Qty	S/P/F	Description
1	710-0136	1	/P	Screw, 1/4-20, 1.75, Gr5
2	710-0192	2	/P	Screw, #10-24 X .375
3	710-0599	6	/P	Screw, Self-tapping, 1/4-20, 0.500
4	710-0642	2	/P	Screw, Hx. Wash. Hd, Tapp. 1/4-20 x .75
5	710-0650	4	/P	Screw, Hx. Wash. Hd, Tapp, 5/16-18, .875
6	710-0703	1	/P	Screw, Carriage, 1/4-20, .75,
7	710-0726	6	/P	Screw, Hx. Wash. Hd, Tapp, 5/16-12 x .75
8	710-0895	1		Screw, 1/4-15, 0.750
9	710-1611B	2	/P	Screw, Torx Hd. Tapp. 5/16-18 x .75
10	710-3217	1	/P	Screw, Machine, #8-32, 0.375, Trus Phillips
11	712-0142	1	/P	Nut, 8-32
12	712-0271	2	/P	Nut, Hex, 1/4-20, Sems
13	712-0397	2	S	Nut, Wing, 1/4-20 w/ Bell Washer
14	712-3087	1	/P	Nut, Wing, 1/4-20
15	714-0104	1	S	Internal Cotter Pin, .072 x 1.13
16	725-1426	1	S	Solenoid, 12V, 100 Amp
17	731-2615	1		Dash
18	731-2620	1		Lever, Dash, Cruise
19	731-2621	1	S	Lever, Dash, Brake
20	731-3161	1	S	Knob, Throttle Control
21	731-3232	1		Roller, Latch, Hood
22	736-0222	2	S	Washer, External Lock, 1/4
23	738-1132	1		Screw, Shoulder, 1/4-20, .25 x .15
24	746-1100	1	S	Cable, Throttle, 38.0 Lg
25	746-04057	1		Cable, Choke, 45.5 Lg.
26	747-1323A	1		Rod, .250 Dia x 4.25 Lg.
27	747-2130	1		Rod, Support, Side Panel RH
28	747-2131	1		Rod, Support, Side Panel LH
29	749-04000A	1	S	Tube, Dash, Support
30	783-0462	1	/P	Bracket, PTO Switch Retainer
31	783-1447	1	S	Bracket, Support, Battery
32	783-1448	1	S	Bracket, Support, Hood Latch
33	783-1449	1		Bracket, Battery, Hold Down
34	783-1499	1	S	Bracket, Rod, Dash
35	925-1707C	1	S	Battery, 275 CCA, Dry



1525
Drive System

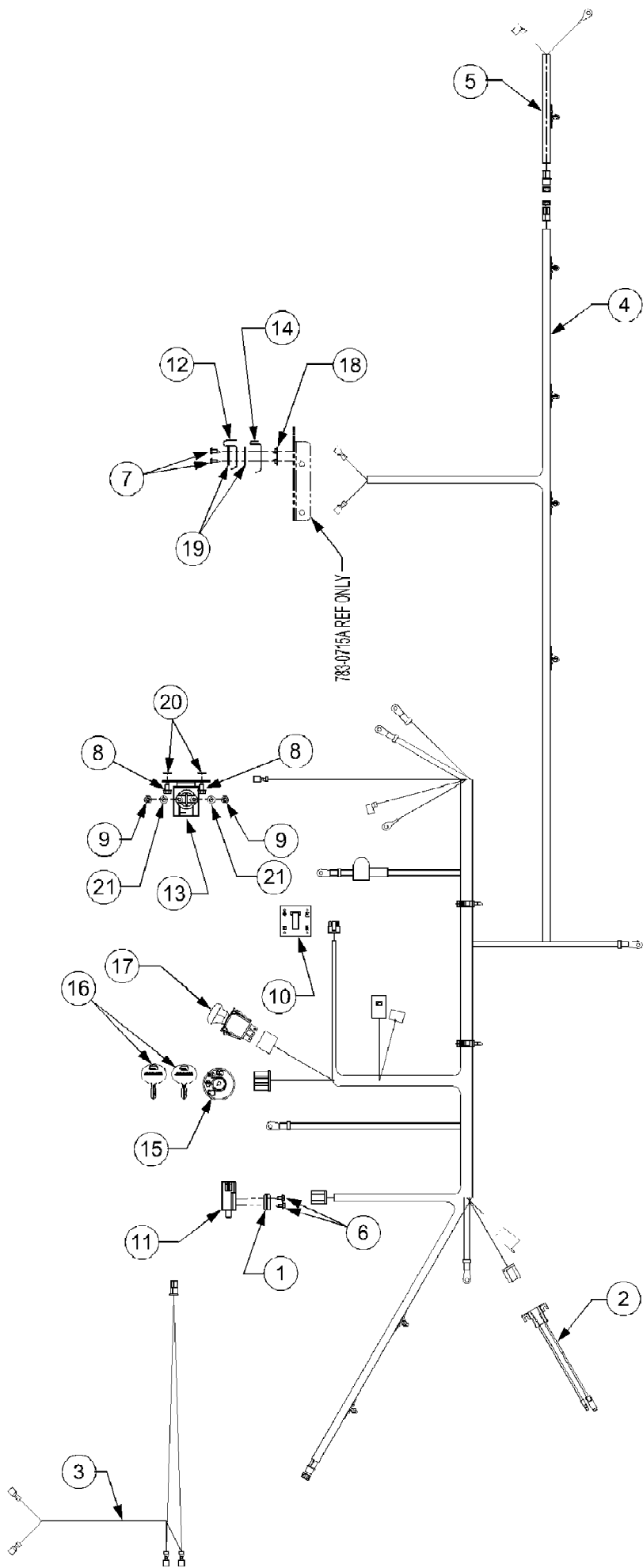
Page 14 of 54

Ref #	Part Number	Qty	S/P/F	Description
1	17840	2	S	Bracket, Mounting, Transaxle
2	618-0365	2	S	Hub Assembly, Wheel
3	618-0667	1	S	Transmission, Hydrostatic
4	629-0949A	1		Harness Assembly, Ground & Reverse
5	683-0251	1		Bracket Assembly, Idler, Center Dbl
6	710-0176	4	/P	Hex Cap Screw, 5/16-18, 2.75, Gr5
7	710-0227	2	/P	Screw, #8-18, 0.500
8	710-0344	3	/P	Hex Cap Screw, 3/8-16, 1.50, Gr5
9	710-0726	6	/P	Screw, 5/16-12, 0.75
10	710-0599	1	/P	Screw, 1/4-20, 0.5
11	710-3007	3	/P	Screw, #12-24, 0.375
12	710-3011	1	/P	Hex Cap Screw, 3/8-16, 2.25, Gr5
13	710-3103	1	/P	Hex Cap Screw, 5/16-18, 2.00, Gr5
14	711-0677	1	S	Ferrule, 5/16-18 x .312 Dia
15	711-0832	1	S	Ferrule, 3/8-24 x .375 Dia
16	712-0291	1	S	Nut, Hex Lock, 1/4-20
17	712-0333	1	S	Nut, Hex, 1/2-20, Gr2
18	712-0431	4	S	Nut, Flange Lock, 3/8-16
19	712-1329	2	/P	Nut, 3/4-16, Grb, Hx
20	712-3004A	5	/P	Nut, Flange Lock, 5/16-18, Gr5
21	712-3010	1	S	Nut, Hex, 5/16-18, Gr5
22	712-3017	3	S	Nut, Hex, 3/8-16, Gr8
23	714-0104	2	S	Pin, Cotter, .072 Dia. x 1.13 Lg
24	714-0111	1	S	Pin, Cotter, 3/32, 1.0
25	725-0157	2	/P	Cable, Tie, 3/16 x .05 x 7.4
26	725-1644	1		Switch, Spring, Short
27	726-0154	1	S	Tie, Cable, Push Mount 7.5 Lg
28	726-0320	1	S	Plate, Insulator Nut
29	731-1449A	1	S	Fan, Blade, 10"
30	732-0209	1	S	Spring, .48 OD x 2.03 Extension
31	732-0429A	1	S	Spring, Extension, .50 Dia x 3.97 Lg
32	732-0716	1	S	Spring, Extension, .59 OD x 4.00 Lg
33	732-0729	1	/P	Ring, Wire
34	732-0994	1		Spring, Extension, .500 Dia x 7.0 Lg
35	732-3118	1		Spring, Extension, 3/8 OD x 1.44 Lg
36	736-0140	3	S	Washer, Flat, .385 x .62 x .063
37	736-0169	1	S	Washer, Lock, 3/8, Regular Duty
38	736-0275	1	S	Washer, Flat, .344 x .688 x .065
39	736-0921	1	S	Washer, Lock, 1/2, Regular Duty
40	736-3010	1	/P	Washer, Flat, .407 x .812 x .135 Hdn
41	738-0372B	1	/P	Spacer, Shoulder, 1.00 x .38 x .38
42	747-1149	1		Rod, Hydro Bypass
43	747-1150	1		Rod, Brake, Hydro
44	747-1151	1		Rod, Control, Hydro
45	750-0535	1	S	Spacer, .376 ID x .625 OD x .22
46	754-0640	1	S	Belt, V Type, Poly
47	756-0116	2	S	Pulley, Idler, V Type x 3.06 Dia
48	756-0981A	1	S	Pulley, Idler, Flat 2.75 OD
49	756-1166	1		Pulley, Input, 5.0 Dia
50	783-0810	1	S	Bracket, Transmission, Torque Hydro
51	783-1019	1	S	Bracket, Actuator, Switch
52	756-0978A	1	S	Pulley, Engine, 3.56 Dia.
732-1716	732-1716	1		Spring



1525
Electric Starter

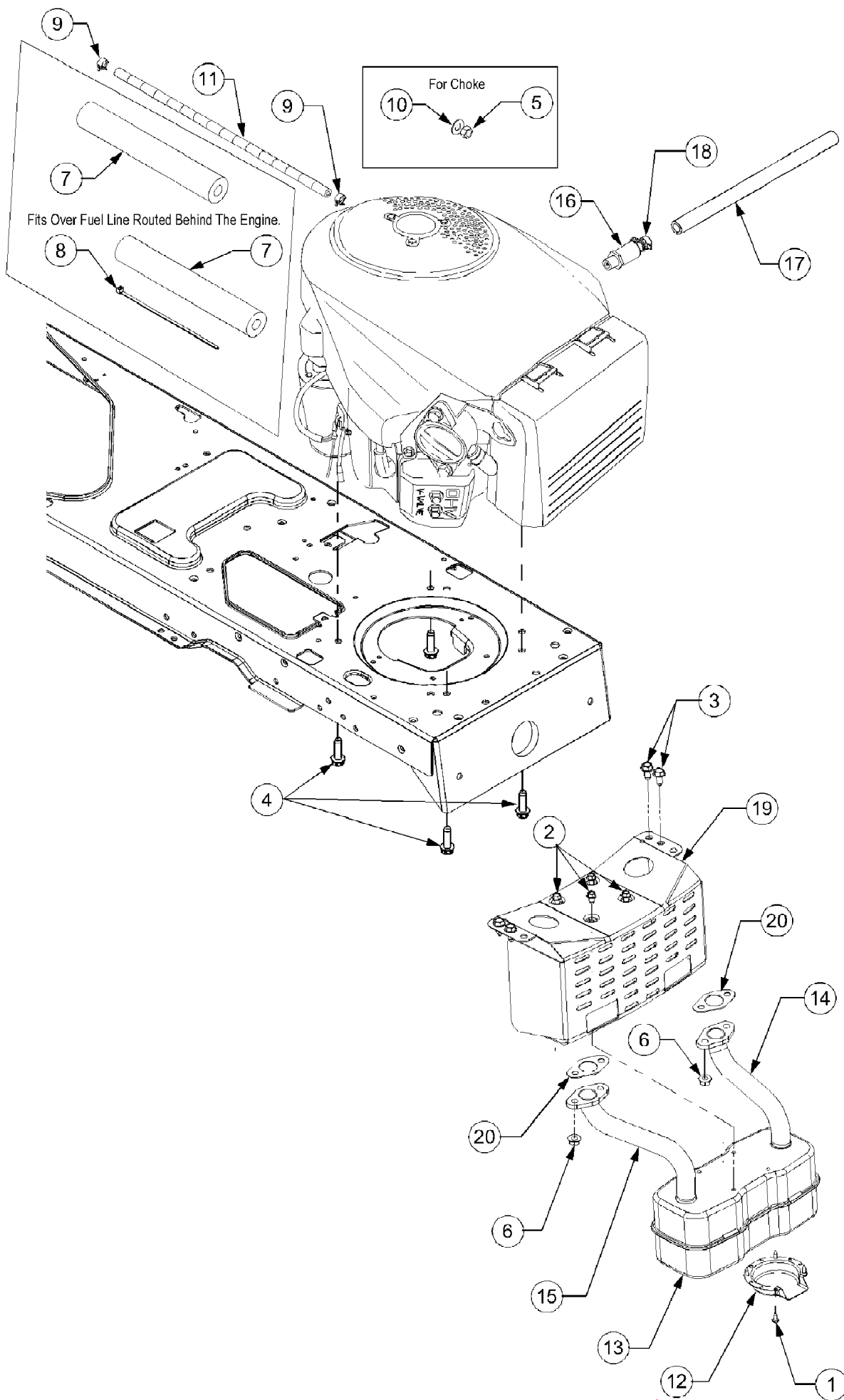
Ref #	Part Number	Qty	S/P/F	Description
1	KM-13101-7002	1		Gear Assy
2	KM-21039-7002	1		Brush
3	KM-21080-7003	1		Armature
4	KM-21163-7007	1	S	Starter, Electric
5	KM-130B0816	2	S	Bolt, Flanged



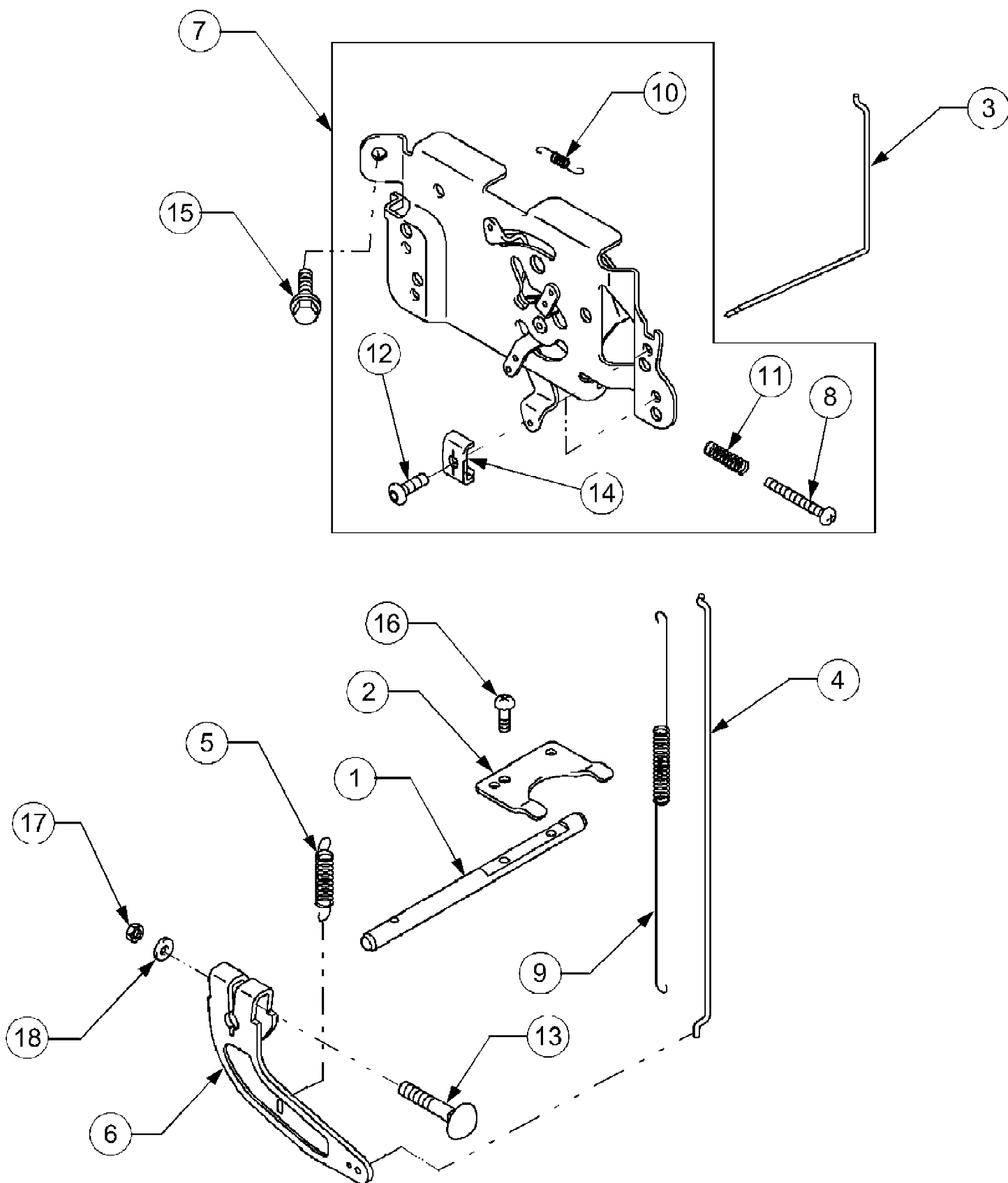
1525
Electrical System

Page 18 of 54

Ref #	Part Number	Qty	S/P/F	Description
1	17962	1		Plate, Switch
2	629-04019	1	S	Harness Assembly, Kawasaki
3	629-0469B	1	S	Harness Assembly, Headlight
4	629-1105	1	S	Harness Assembly
5	629-1106	1	S	Harness Assembly, Safety, Reverse
6	710-0224	2	S	Screw, Hx. Wash. Hd. Tapp, 10-16 x .5
7	710-0227	2	/P	Screw, Hx. Wash. Hd. Tapp, 8-18 x .5
8	710-0599	2	/P	Screw, Hx. Wash. Hd. Tapp, 1/4-20, 0.5
9	712-3006	2	/P	Nut, Hex, 1/4-20, Gr5
10	725-04022	1	S	Indicator/ Meter Hour
11	725-04039	1	S	Switch, Interlock
12	725-1303	1	S	Switch, Outer Seat Spring
13	725-1426	1	S	Solenoid, Starter, 12V
14	725-1439	1		Switch, Inner Seat Spring
15	725-1741	1	S	Switch, Key, 4-Position
16	725-2054	2	S	Key, Switch, Plastic
17	725-3233	1	S	Switch, Electric PTO, Yellow Knob
18	726-0278	1		Plate, Insulator Boss
19	726-0279	2		Plate, Insulator
20	736-0222	2	S	Washer, Lock, Ext 1/4
21	736-0329	2	S	Washer, Lock, 1/4



Ref #	Part Number	Qty	S/P/F	Description
1	710-0227	4	/P	Screw, #8-18, 0.500
2	710-0599	4	/P	Screw, Self-tapping, 1/4-20, 0.500
3	710-0726	4	/P	Screw, Hx. Wash. Hd. Tapp 5/16-12 x .75
4	710-1315	4	/P	Screw, Hx. Wash. Hd. Tapp 3/8-16 x
5	712-3017	1	S	Nut, Hex, 3/8-16, Gr8
6	712-3086	2	/P	Nut, M8, 1.25-6h, Flange
7	722-0263	2	S	Foam, .625 x 1.50 x 10.0 Lg
8	725-0157	2	/P	Cable, Tie, 3/16 x .05 x 7.4
9	726-0205	2	/P	Clamp, Hose, .490 Dia.
10	736-0300	1	S	Washer, Flat, .406 x .875 x .059
11	751-0535	61 in		Hose, Fuel Line
12	751-0564	1	S	Deflector, Muffler
13	751-0805	1	S	Muffler, Dual Inlet
14	751-2100	1		Pipe, Exhaust, LH
15	751-2101	1		Pipe, Exhaust, RH
16	751-3140	1	S	Drain, Oil
17	751-3141	12 in	S	Hose, Extension, Oil Drain
18	751-3142	1		Cap, Oil, Drain
19	783-0615B	1	S	Shield, Heat, Muffler
20	KM-11060-7021	2	/P	Gasket, Exhaust



1525
Engine Control

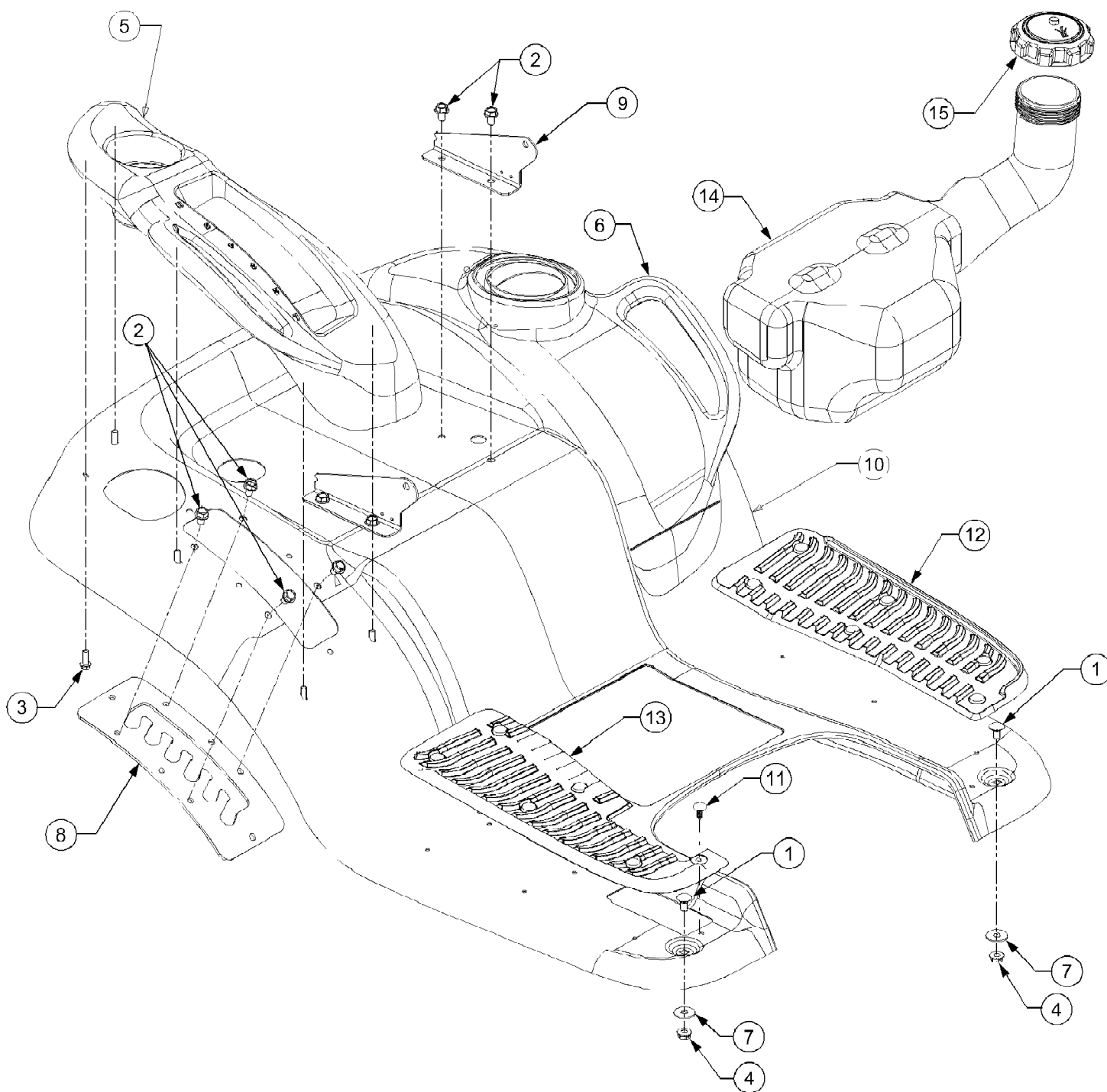
Page 22 of 54

Ref #	Part Number	Qty	S/P/F	Description
1	KM-13107-7010	1		SHaft
2	KM-13271-7018	1	/P	Plate
3	KM-16169-7009	1	S	Link, Choke
4	KM-16171-7007	1		Link
5	KM-39129-7003	1		Spring, Governor
6	KM-49103-7004	1		Arm, Governor
7	KM-49113-7022	1		Panel, Control Comp
8	KM-92009-7007	1		Screw, 4x35
9	KM-92145-7003	1		Spring
10	KM-92145-7004	1	S	Spring
11	KM-92145-7005	1		Spring
12	KM-92150-2182	2	/P	Screw, Hx, 5x16
13	KM-92153-7005	1		Bolt, 6x35
14	KM-92170-7001	2		Clamp
15	KM-130B0612	2	S	Bolt, Flanged
16	KM-214B0408	2	S	Screw, Pan
17	KM-311B0600	1	S	Nut, Hex
18	KM-411B0600	1		Washer, Plain

1525
Engine Electrical/Ignition

Page 24 of 54

Ref #	Part Number	Qty	S/P/F	Description
1	KM-21066-7001	1	S	Regulator, Voltage
2	KM-21171-7007	1	S	Coil Assy, Ignition
3	KM-21171-7008	1	S	Coil Assy, Ignition
4	KM-21193-7016	1		Flywheel Assy
5	KM-26030-7001	1		Harness
6	KM-27010-7002	1		Switch, Oil Pressure
7	KM-59031-7001	1	S	Coil, Charging
8	KM-92009-2308	2		Screw
9	759-3331	2	/P	Plug, Spark - RCJ8Y
10	KM-92151-2097	1		Bolt, 12x30
11	KM-92200-7002	1		Washer
12	KM-130B0620	4	S	Bolt, Flanged
13	KM-224B0520	4		Screw, Pan Hd. Cross
14	KM-510A5100	1		Key, Woodruff

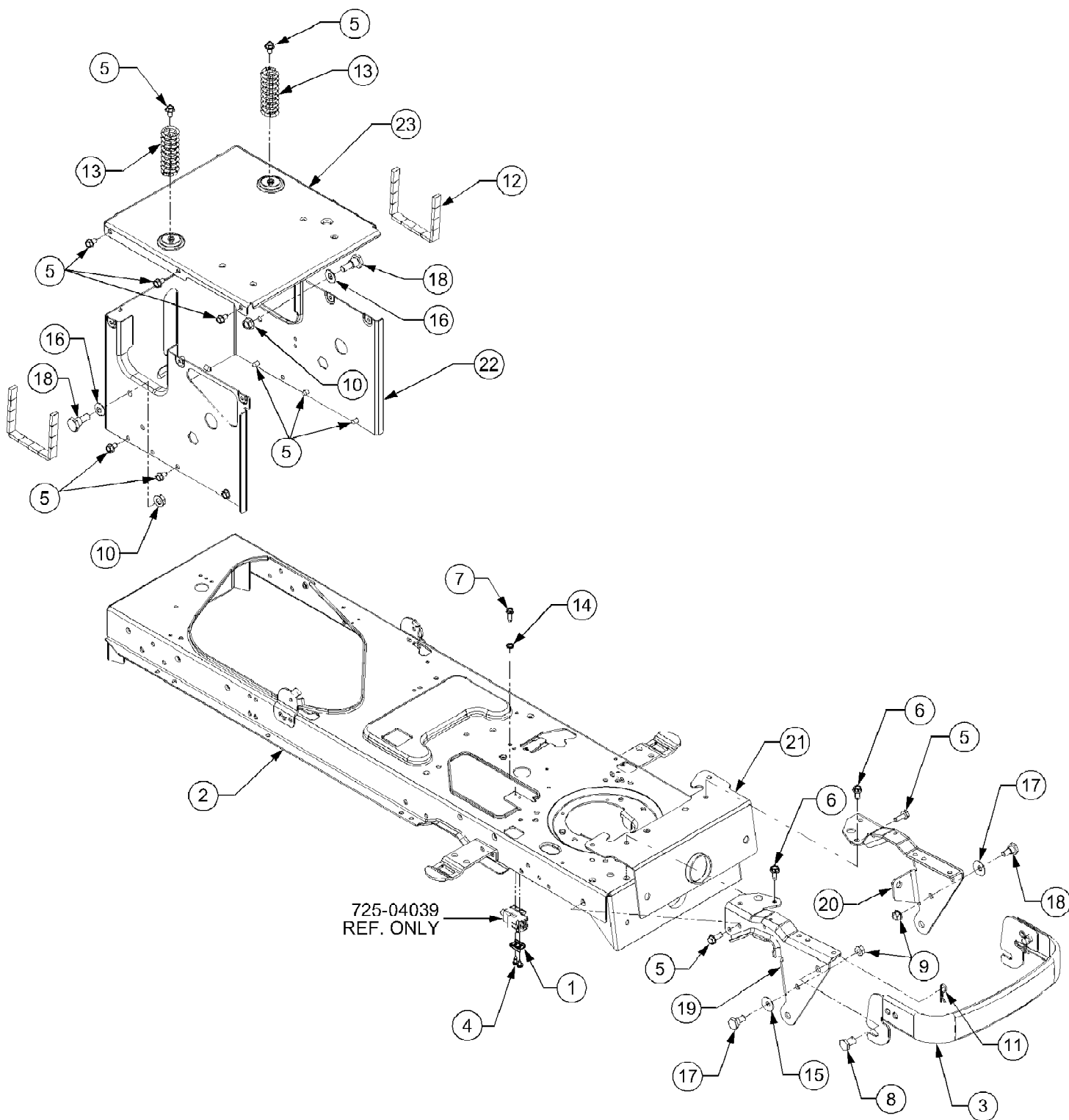


1525

Page 26 of 54

Fender & Fuel Tank

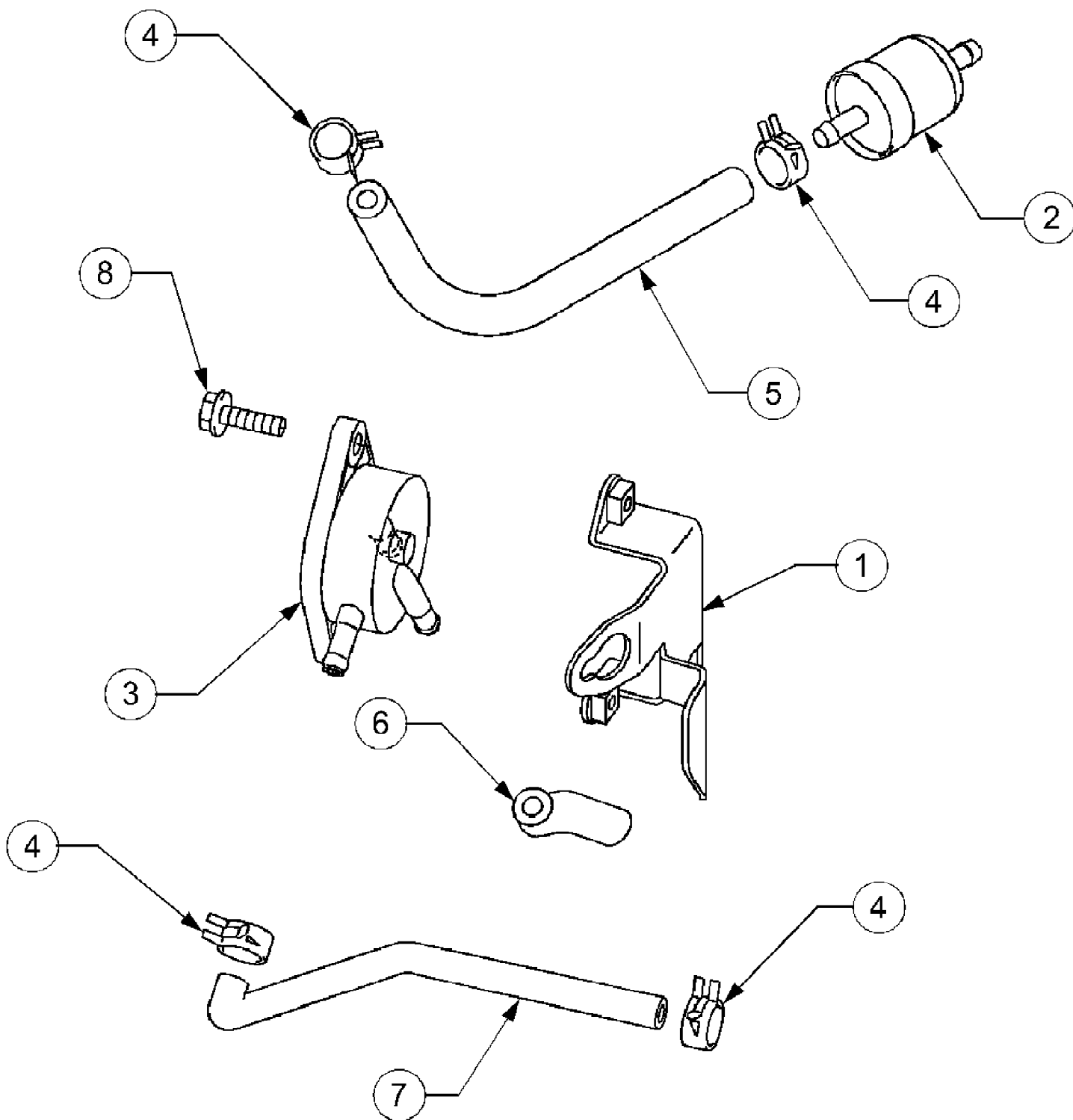
Ref #	Part Number	Qty	S/P/F	Description
1	710-0260A	2	/P	Bolt, Carriage, 5/16-18 x .62 Lg
2	710-0726	8	/P	Screw, 5/16-12, 0.75
3	710-0895	9		Screw, 1/4-15, 0.750
4	712-3004A	2	/P	Nut, Flange Lock, 5/16-18
5	731-2616	1		Cover, Fender, RH
6	731-2617	1		Cover, Fender, LH
7	736-3078	2	/P	Washer, Flat, .349 x 1.00 x .063
8	783-0677	1	S	Bracket, Lift, Adjustment
9	783-0715B	2	S	Bracket, Seat, Mount
10	783-1461	1	S	Fender
11	726-3046	12	/P	Clip, Ratchet, .250 Dia
12	735-0697	1		Pad, Foot, LH
13	735-0698A	1	/P	Pad, Foot, RH
14	751-0819A	1	S	Tank, Fuel
15	751-3124B	1	S	Cap, Fuel



1525
Frame

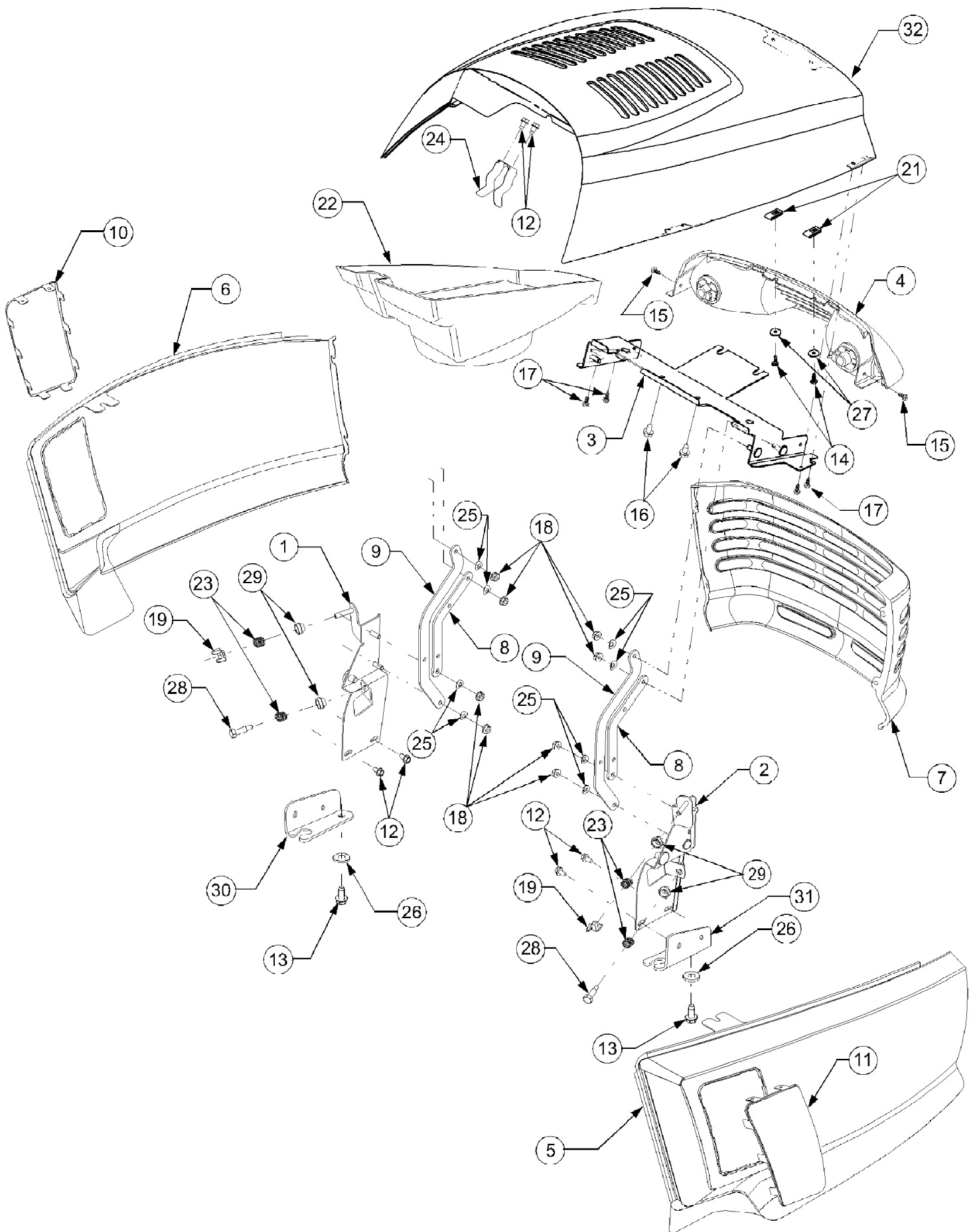
Page 28 of 54

Ref #	Part Number	Qty	S/P/F	Description
1	17962	1		Plate, Switch
2	683-0304A	1		Frame Assembly, Lower
3	683-0612	1		Bumper Assembly
4	710-0224	2	S	Screw, Hex Wash. Hd. Tapp, 10-16 x .5
5	710-0604A	20	/P	Screw, Self-tapping, 5/16-18, 0.625
6	710-1260A	2	/P	Screw, 5/16-18, 0.750
7	710-1652	1	/P	Screw, Hex Wash. Hd. Tapp, 1/4-20 x 0.625
8	711-0332	2	S	Pin, Clevis, .50 Dia x .78 Lg
9	712-0431	2	S	Nut, Flange Lock, 3/8-16
10	712-0459	2	/P	Nut, Flange Lock, 7/16-20
11	714-0145	2	S	Pin, Click, .092 x 1.64 Lg
12	722-3022	18	S	Foam Tape, .625 x .25
13	732-04035	2		Spring, Compression, 1.28 OD x 3.125 Lg
14	736-0222	2	S	Washer, Lock, Ext 1/4
15	736-0331	2	/P	Washer, Bell, .390 x 1.13 x .062
16	736-0407	2		Washer, Bell .45 x 1.00 x .062
17	738-0143	2	/P	Shoulder Screw, 3/8-16
18	738-1020	2		Shoulder Screw .625 x .500, 7/16-20
19	783-0726B	1	S	Bracket, Pivot, Support RH
20	783-0727A	1	S	Bracket, Pivot, Support LH
21	783-0728	1		Bracket, Pivot, Bar
22	783-1462	1	S	Frame, Upper, Cub 1500
23	783-1463	1	S	Bracket, Frame, Seat
725-04039	725-04039	1	S	Switch, Screw Mount



1525
Fuel Pump/Filter

Ref #	Part Number	Qty	S/P/F	Description
1	KM-23062-7004-9H	1		Bracket, Comp
2	KM-49019-7001	1	S	Filter, Fuel
3	KM-49040-7001	1	/P	Pump, Fuel
4	KM-92170-2088	4		Clamp
5	KM-92191-7003	1		Tube, 6.35x12.7x160
6	KM-92191-7002	1		Tube
7	KM-92191-7004	1		Tube
8	KM-130B0620	2	S	Bolt, Flanged



1525
Hood & Grille

Page 32 of 54

Ref #	Part Number	Qty	S/P/F	Description
1	603-0211A	1		Bracket Assembly, Grille LH
2	603-0212A	1	/P	Bracket Assembly, Grille RH
3	603-04063	1	S	Bracket Assembly, Hood
4	625-04001	1	S	Headlight Assembly, Front
	725-0963	2	S	Lamp, 12V
	725-1649	2	S	Socket,Lamp
5	703-2396	1	S	Side Panel, RH
	777D06895	1		Graphic, 1525
	777X40079	1	/P	Strip, Protective
6	703-2397	1	S	Side Panel, LH
	777D06895	1		Graphic, 1525
	777X40079	1	/P	Strip, Protective
7	703-2398	1	S	Grille
	777I20314	1	/P	Graphic, Warning HOT
8	703-2465	2	/P	Link, Hood Front
9	703-2466A	2	S	Link, Hood, Rear
10	703-2495	1	S	Screen, LH Side Panel
11	703-2496	1	S	Screen, RH Side Panel
12	710-0599	6	/P	Screw, Self-tapping, 1/4-20, 0.500
13	710-1260A	2	/P	Screw, Hx Wash. Hd Tapp, 5/16-18 x .75
14	710-0436	2	S	Screw, Hx Tapp, 10-16 x .625
15	710-0456	2		Screw, Hx Wash. Hd Tapp, 10-16 x .5
16	710-0726	2	/P	Screw, Hx Wash. Hd Tapp, 5/16-12 x .75
17	710-0779A	4	/P	Screw, Truss Phillips Tapp, 10-16 x .5
18	712-3027	8	S	Nut, Flange Lock, 1/4-20
19	712-3087	2	/P	Nut, Wing, 1/4-20
21	726-0139	2	/P	Nut, Speed, 10z U-type
22	731-04237	1	S	Plenum, Hood
23	732-0334	4	S	Spring, Compression, .50 OD x .5 Lg
24	732-0855A	1	/P	Spring, Latch, Hood
25	736-0175	8	S	Washer, Spring, .265 x.562 x.025
26	736-0258	2	/P	Washer, Flat, .385 x 1.0 x .135
27	736-0400	2	S	Washer, Flat, .194 x .62 OD x .063
28	738-3141	2	S	Screw, Shoulder, .31x .75, 1/4-20
29	748-3055	4	S	Bushing, Tapered, .32 ID x .69 OD
30	783-1467	1	S	Bracket, Mounting, Grille LH
31	783-1468	1	S	Bracket, Mounting, Grille RH
32	959-3747B	1		Hood Assembly
	777D03263	1		Graphic, Hood RH
	777D03264	1		Graphic, Hood LH

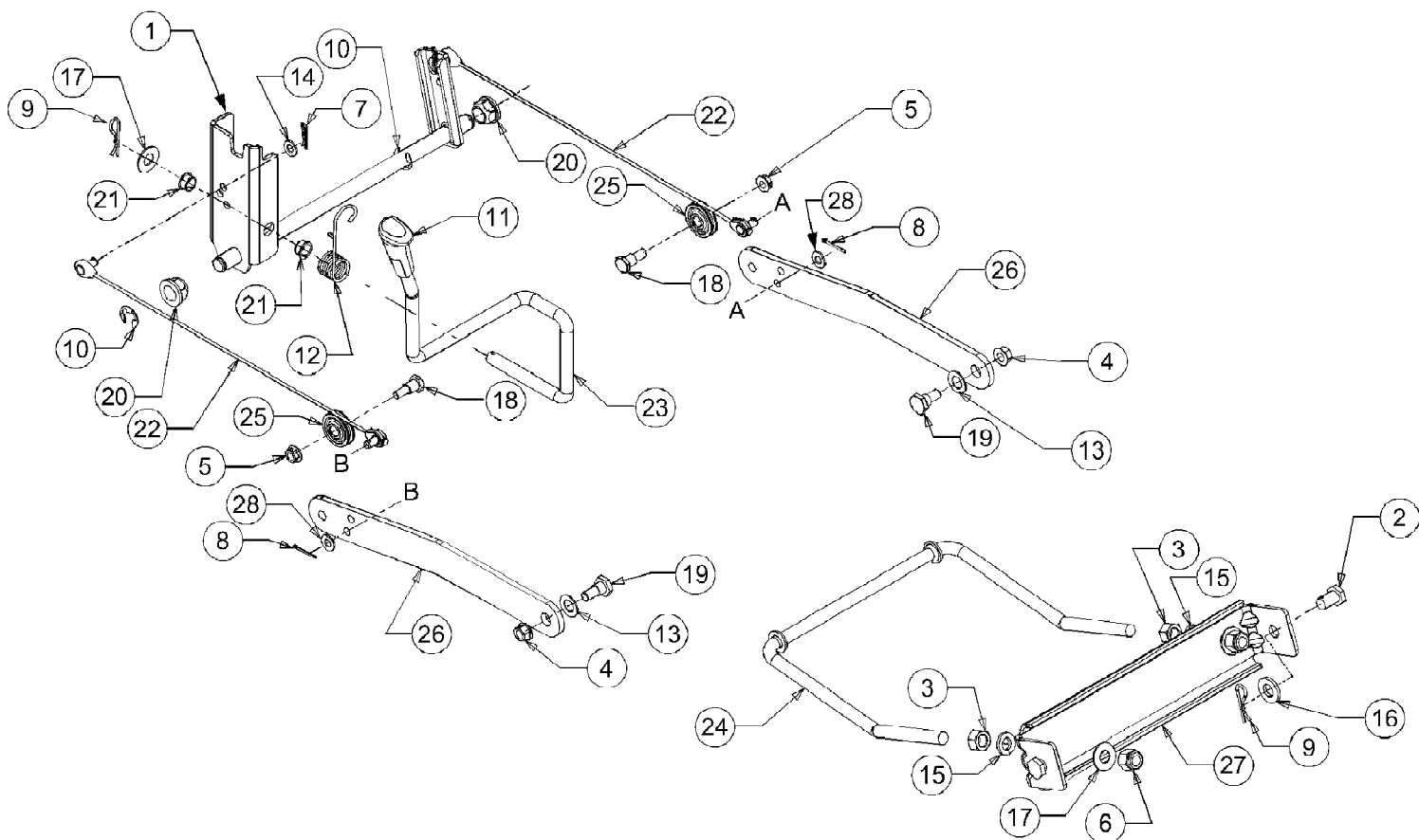
Hydrostatic Transmission

Ref #	Part Number	Qty	S/P/F	Description
1	HG-70721	1		Main Housing, Assembly, Black
2	HG-70720	1	S	Side Housing, Assembly, Black
3	HG-70724	1		Center Section, Assembly
4	HG-51048	1	/P	Swashplate, Trunnion Machined
5	HG-70331	1	/P	Block - Assembly
?6	HG-50928	10.5	/P	Sealant
7	HG-51190	14	/P	Hex Flange Screw 1/4-20 x 1.25
9	HG-51062	1	/P	Shaft, Input
10	HG-2000022	1	/P	Ring - Retaining
11	HG-50951	1	/P	Spacer
12	HG-50329	3	/P	Ring - Retaining
13	HG-51161	1	/P	Seal, Lip .67 x 1.58 x .276
14	HG-50315	1		Ball Bearing 17mm x 40mm x 12mm
16	HG-51064	1		Hex Flange Hd. Screw 5/16-24 x 0.75
17	HG-51140	1	/P	Lip Seal 18 x 32 x 7
18	HG-51119	1	/P	Arm, Control
19	HG-50551	2	S	Bearing, 30x52x13 Thrust
23	HG-51084	2	/P	Check Plug Ass'y, .027, Washer
24	HG-50966	1		Shaft, Motor
27	HG-51130	1		Gear - Pinnion, 13t
28	HG-51129	1		10t / 48t Gear
29	HG-51043	1	/P	Gear, 10t Jackshaft
30	HG-51044	1		60t Bull Gear
31	HG-51088	2	/P	Sleeve Bearing .75 x 1.750 x .625
32	HG-51517	2	/P	Sleeve Bearing 1.00 x 1.575 x .625
33	HG-44875	2	/P	Washer, 3/4 ID x 1-1/2 OD x .13
34	HG-51518	2	/P	Lip Seal Axle Seal
35	HG-51520	1		Shaft, Axle 1.00 x 11.99 Flange
36	HG-51521	1		Shaft, Axle 1.00 x 17.59 Flange
37	HG-44096	2	S	Miter Gear (Splined)
38	HG-44097	2		Miter Gear 15t (0.5 ID)
39	HG-50146	1		Shaft
40	HG-44871	2	/P	Ring, Spiral Retaining
41	HG-51083	1		Pin, Jackshaft
42	HG-51100	1		Magnet, Ring
43	HG-51136	1		Spring, Bypass
44	HG-50016	2		Hydro Mounting Screw 3/8-24 x 2.5 Lg
45	HG-51132	1		Filter
46	HG-51133	1		Base, Filter
47	HG-51091	1		Actuator, Bypass
48	HG-51098	1		Rod, Bypass Actuator
49	HG-51135	1		Arm, Bypass
50	HG-51116	1	/P	Retaining Ring 0.250 External
51	HG-51081	1	/P	Seal, Lip .741 x .250 x .250 Tc
52	HG-44371	1	/P	Flat Washer, 5/8 ID x 1.0 OD x .05
53	HG-44145	1		Retaining Ring
54	HG-51071	1		Bearing, Center Block
55	HG-2003014	1	/P	Spring - Helical Compression
56	HG-2003017	1	/P	Washer
?57	737-3121	78.8	/P	20W-50 Oil (Gal)
58	HG-44092	1		Brake Yoke
59	HG-51072	1	/P	Rotor, Brake
60	HG-44132	2	S	Brake Puck

Hydrostatic Transmission

Ref #	Part Number	Qty	S/P/F	Description
61	HG-44134	1	S	Puck Plate
62	HG-44127	2	S	Brake Actuating Pin
63	HG-51146	2		Bolt, Special Flange, 1/4-20 x 2 w/patch
65	HG-23711	1		Spacer
66	HG-51345	1		Spring, Brake Arm Bias
67	HG-44138	1		Square Head Bolt 5/16-24- Ribbed
68	HG-44094	1	/P	Arm, Brake
69	HG-44142	1	S	Slotted Hex Nut 5/16-24
70	HG-44101	1	S	Cotter Pin 3/32 x 3/4
71	HG-50919	1	/P	Compression Spring Brake Anti-drag
72	HG-50132	3	/P	Washer, Ht .5 ID x 1 OD x .032
73	HG-44130	2	S	Flat - Washer 11/32 ID x 7/8 OD
74	HG-44761	1	S	Oil Seal .625 x 1.0 x.25
83	HG-9004800-2506	2	/P	Pin, Standard Headless
84	HG-51143	1	/P	Fitting, 5/16 Sae 5/32 Tube
85	HG-51147	1		Hose, Expansion Tank
87	HG-51251	1		Cap, Vent
88	HG-50653	1	/P	Bolt, Self Tapping 10-32 x 1/2
94	HG-44147	1		Ball Bearing .62 ID x 1.38 x .44
95	HG-50837	1		Socket Head Screw, 5/16-24 x 1-1/2
96	HG-51200	1		Spacer, Locating
97	HG-50870	1		Screw
98	HG-51120	1		Arm, Return
99	HG-51097	1		Puck, Adjusting
100	HG-51122	1		Washer, .325 OD x 1.60 ID x .150
101	HG-51131	1	/P	Spring, Extension
102	HG-51123	1		Spacer .560 OD x .260 ID x .870
103	HG-51223	1		Bracket, Torque
107	HG-51134	1		Deflector
108	HG-51069	1		Washer, Shaft .71 x 1.15 x .030
109	HG-9005110-5600	1	/P	Plug, SAE #6
110	HG-50868	1		Torx Head Screw, 5/16-18
111	HG-51144	1		O-ring .07 x .301 ID
113	HG-51179	1		Bracket, support Expansion Tank
114	HG-51184	1	/P	Spring Guide
?116	HG-51196	1		Silicon Sponge
120	HG-70725	1		Center Section-Filter-Bypass Ass'y
121	HG-70466	1		Filter Assembly
?122	HG-70722	1		Seal - O-ring Kit
128	HG-70503	1	/P	Kit, Expansion Tank
129	HG-51252	1		Cap, Expansion Tank Shipping
135	HG-70723	1	/P	Block, Assembly 7 Piston

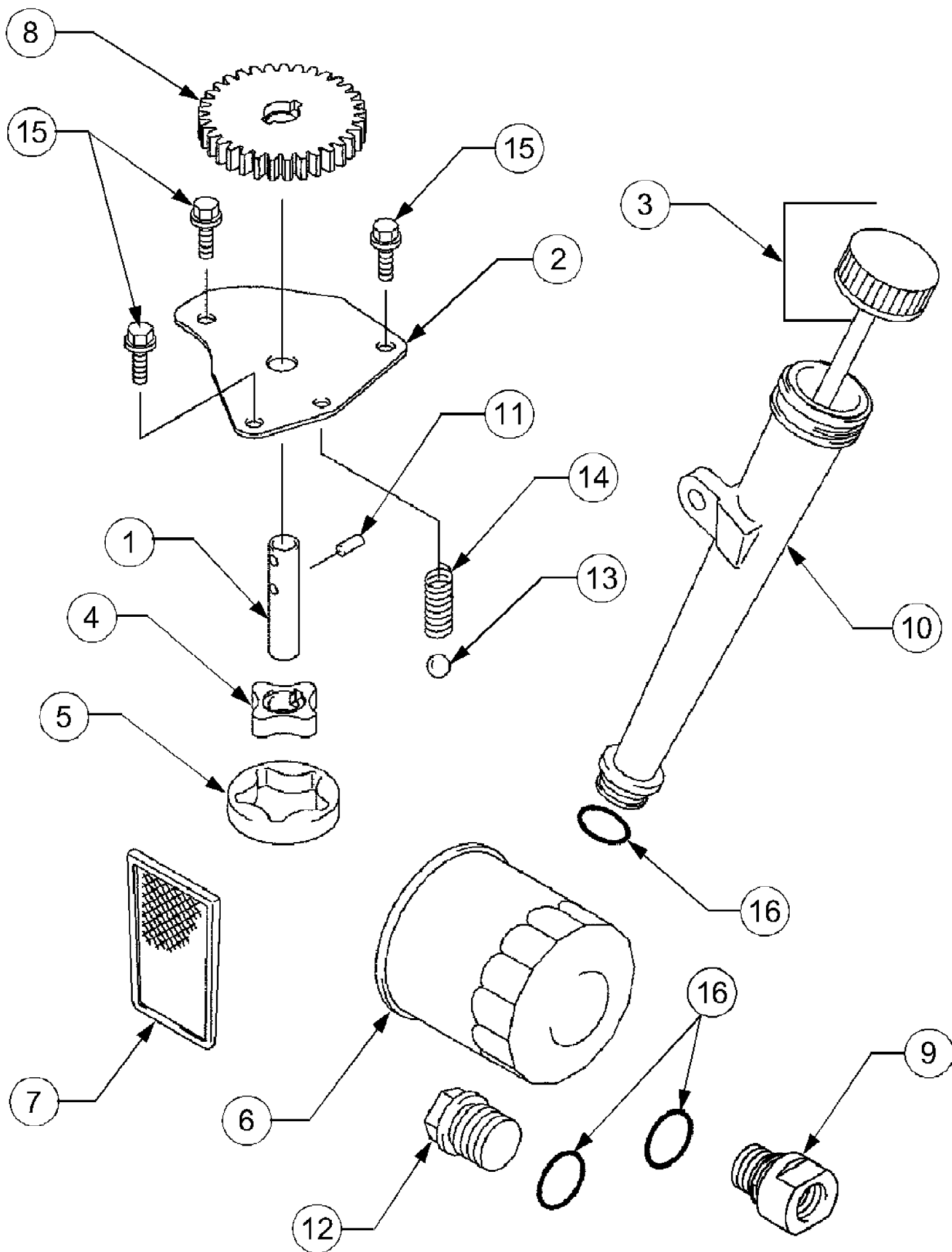
1525
Lift Assembly



1525
Lift Assembly

Page 37 of 54

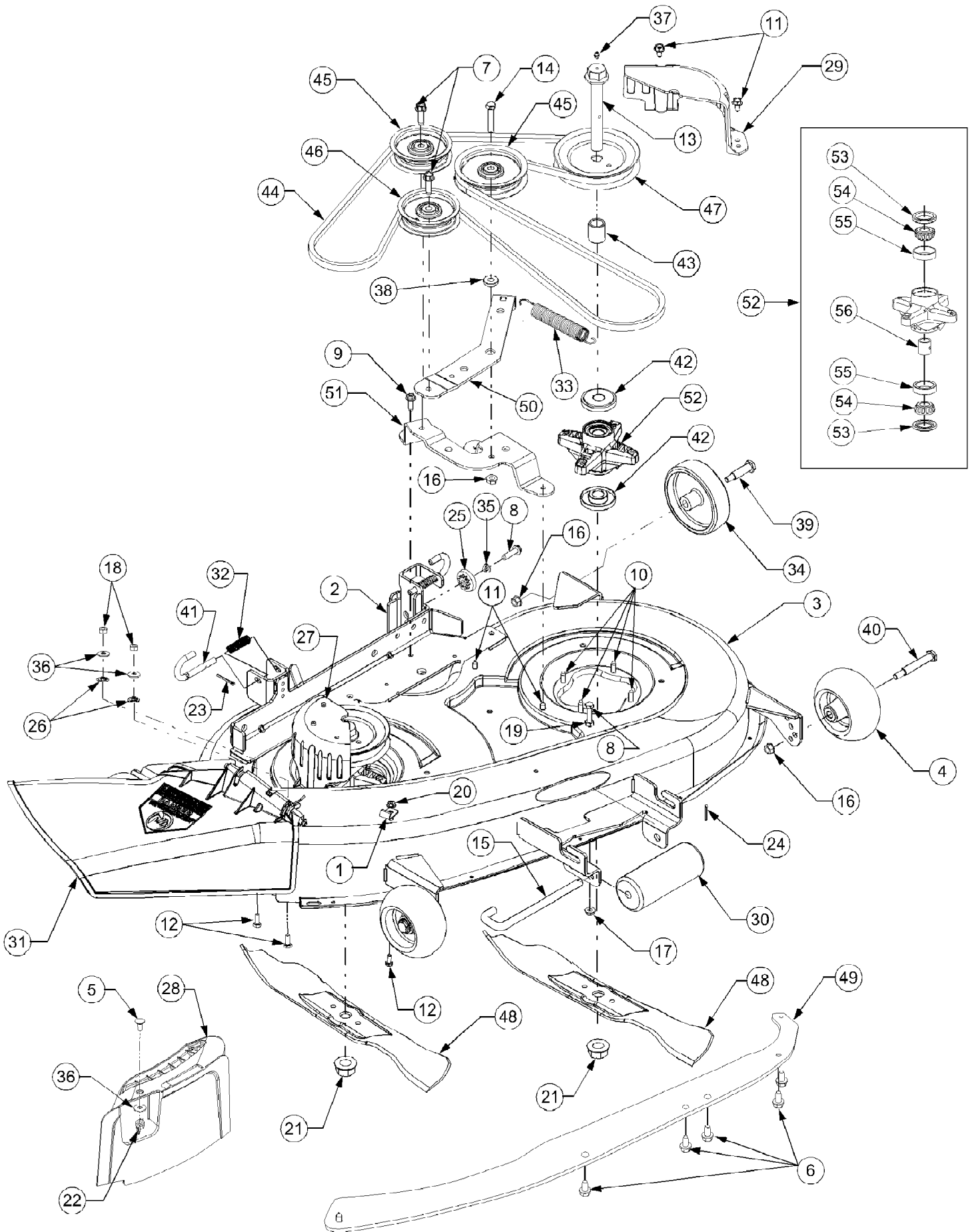
Ref #	Part Number	Qty	S/P/F	Description
1	683-0197B	1	S	Shaft Assembly, Lift
2	711-0332	2	S	Pin, Clevis, .50 Dia x .78 Lg
3	712-0206	2	S	Nut, Hex, 1/2-13, Gr5
4	712-0431	2	S	Nut, Flange Lock, 3/8-16
5	712-3004A	2	/P	Nut, Flange Lock, 5/16-18, Gr5
6	712-3083	2	/P	Nut, Hex Lock, 1/2-13, Gr8, Nylon
7	714-0104	2	S	Pin, Cotter, .072 Dia. x 1.13 Lg
8	714-0111	2	S	Pin, Cotter, 3/32, 1.0
9	714-0145	2	S	Pin, Click, .092 x 1.64 Lg
10	716-0106	2	/P	E-ring, .625 Dia. Shaft
11	720-0311	1		Grip, Handle
12	732-0874	1	/P	Spring, Torsion
13	736-0160	2	S	Washer, Flat, .53 x .93 x .050
14	736-0275	2	S	Washer, Flat, .344 x .688 x .065
15	736-0921	2	S	Washer, Lock, 1/2 , Regular Duty
16	736-3019	2		Washer, Flat, .531 x 1.062 x .134
17	736-3084	3	/P	Washer, Flat, .510 x 1.120 x .060
18	738-0138A	2	/P	Screw, Hex Cap, 5/16-18x.620 Gr2
19	738-0143	2	/P	Shoulder Screw, 3/8-16
20	741-0225	2	S	Bearing, Hex Flange
21	741-0715	2	S	Bearing, Flange, Snap .500 ID
22	746-0968	2		Cable, Lift, 16.16 Lg
23	747-1111A	1	/P	Handle, Lift
24	747-1130B	1	/P	Rod, Deck, Front Adjustment .5" Dia
25	756-1154	2		Pulley, Roller
26	783-0678A	2	S	Lift, Arm
27	783-0720A	1	S	Bracket, Adjustment, Front Deck Rod
28	736-0204	2	/P	Washer, Flat, .344 x .62



1525
Lubrication

Page 39 of 54

Ref #	Part Number	Qty	S/P/F	Description
1	KM-13107-7009	1		Shaft
2	KM-13271-7017	1		Plate
3	KM-14075-7001	1	S	Cap Assy
4	KM-16154-2053	1		Rotor, Pump - In
5	KM-16154-2054	1		Rotor, Pump - Out
6	KM-49065-2078	1	S	Filter, Oil
7	KM-49065-7004	1		Filter, Oil
8	KM-59051-7011	1		Gear, Spur
9	KM-59071-7004	1		Joint
10	KM-59231-7003	1		Filler
11	KM-92043-7003	2		Pin
12	KM-92066-7003	1		Plug
13	KM-92140-7003	1		Ball
14	KM-92145-7002	1		Spring
15	KM-130B0612	3	S	Bolt, Flanged
16	KM-670D2016	3		O Ring,16mm



Mower Deck - 38 Inch

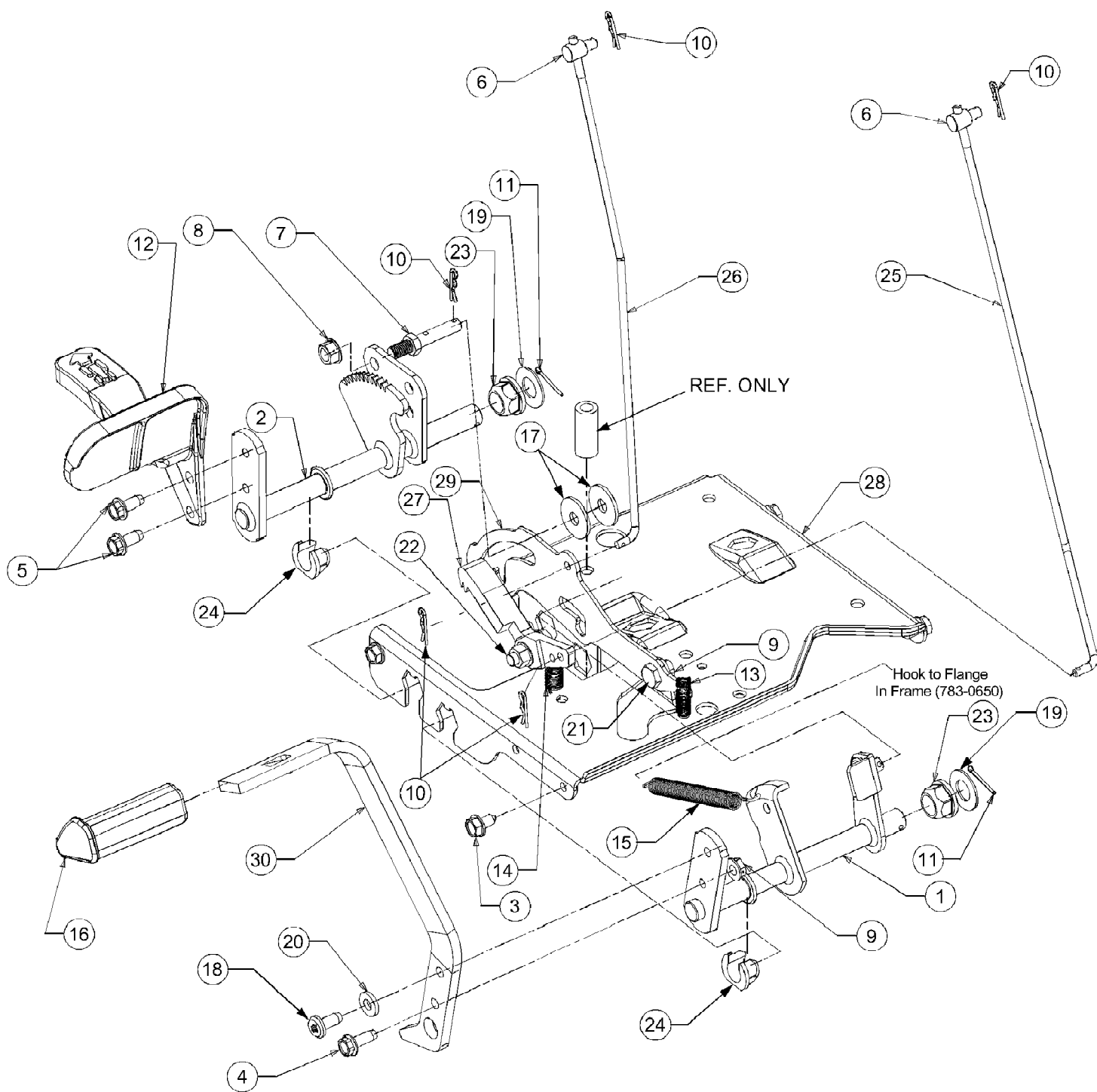
Ref #	Part Number	Qty	S/P/F	Description
1	16606	1	S	Bracket, Hook, Retainer
2	683-0254	1	S	Bracket, Deck Hanger LH
3	683-0611	1	S	Deck Assembly, 38 inch
4	703-1890	2	S	Wheel, Deck, 5.0 OD w/ Fitting
	741-0108	4		Bearing, Flange
	737-0280	2	S	Fitting, Lube
5	710-0134	1	/P	Screw, Carriage, 1/4-20 x .62
6	710-0599	6	/P	Screw, Hx. Wash, Hd, Tapp 1/4-20 x .5
7	710-0502A	2	/P	Screw, Hx. Wash, Hd, Sems Tapp 3/8-16 x 1.25
8	710-0528	2	/P	Screw, 5/16-18, 1.25, Gr5
9	710-0602	1	/P	Screw, Hx. Wash, Hd, Tapp, 5/16-18 x 1.0
10	710-0650	8	/P	Screw, Hx. Wash, Hd, Tapp, 5/16-18, 0.875
11	710-0726	6	/P	Screw, Hx. Wash, Hd, Tapp, 5/61-12 x .75
12	710-0751	3	/P	Screw, 1/4-20, .620, Gr5
13	710-04226	2	/P/F	Bolt, Spindle, 3/4-16, 5.85 (solid bolt, no grease fitting)
13	710-1889	2	S/F	Bolt, Spindle, 3/4-16, 5.85 Greaseable spindle (No longer available) replace with 710-04226, 618-04217 & 737-3000
14	710-3144	1	/P	Screw, Hx. Cap, 3/8-16, 2.00, Gr5
15	711-3314	1	S	Roller Pin 1/2" x 7.31 Lg
16	712-0431	5	S	Nut, Hx. Flange Lock, 3/8-16
17	712-3004A	1	/P	Nut, Hx. Flange Lock, 5/16-18, Gr5
18	712-3006	2	/P	Nut, Hex, 1/4-20, Gr5
19	712-3010	1	S	Nut, Hex, 5/16-18, Gr5
20	712-3027	1	S	Nut, Hx. Flange Lock, 1/4-20
21	712-3078	2	/P	Nut, Hx. Flange, 3/4-16
22	712-3087	1	/P	Nut, Wing, 1/4-20
23	714-0470	2	S	Pin, Cotter, 1/8 x 1.25
24	714-3004	1		Pin, Cotter, 3/32 x 1.25
25	717-1553B	1	S	Adjustment Gear, Deck
26	726-0233	2	/P	Nut, Push, .25 ID x .50 OD
27	731-2231B	1	/P	Cover, Belt, Deck
28	731-2363	1	/P	Plug, Mulch
29	731-2609A	1	/P	Cover, Belt, Deck, LH
30	731-3005	1	/P	Front Roller
31	731-1032B	1	S	Chute Assembly, Side Discharge Includes the following parts
	703-1693A	1	/P	Bracket, Mounting
	711-0792	1	S	Pin, Hinge
	726-0106	1	S	Cap, Push
	732-0602A	1	/P	Spring, Torsion
32	732-0306	2	S	Spring, Compression, .406 x .531 x
33	732-0556	1	S	Spring, Extension .94 x 7.57
34	734-0973	2	/P	Wheel Deck 5.0 x 1.38
35	736-0119	1	S	Washer, Lock, 5/16, Regular Duty
36	736-0270	3	/P	Washer, Belleville, .265 x .75 x .062
37	737-3000	2	S	Fitting, 3/16 Drive Lube
38	738-0372A	1	S	Spacer, Shoulder, 1.00 x .38 x .38
39	738-0373	2	S	Shoulder Screw

1525

Page 42 of 54

Mower Deck - 38 Inch

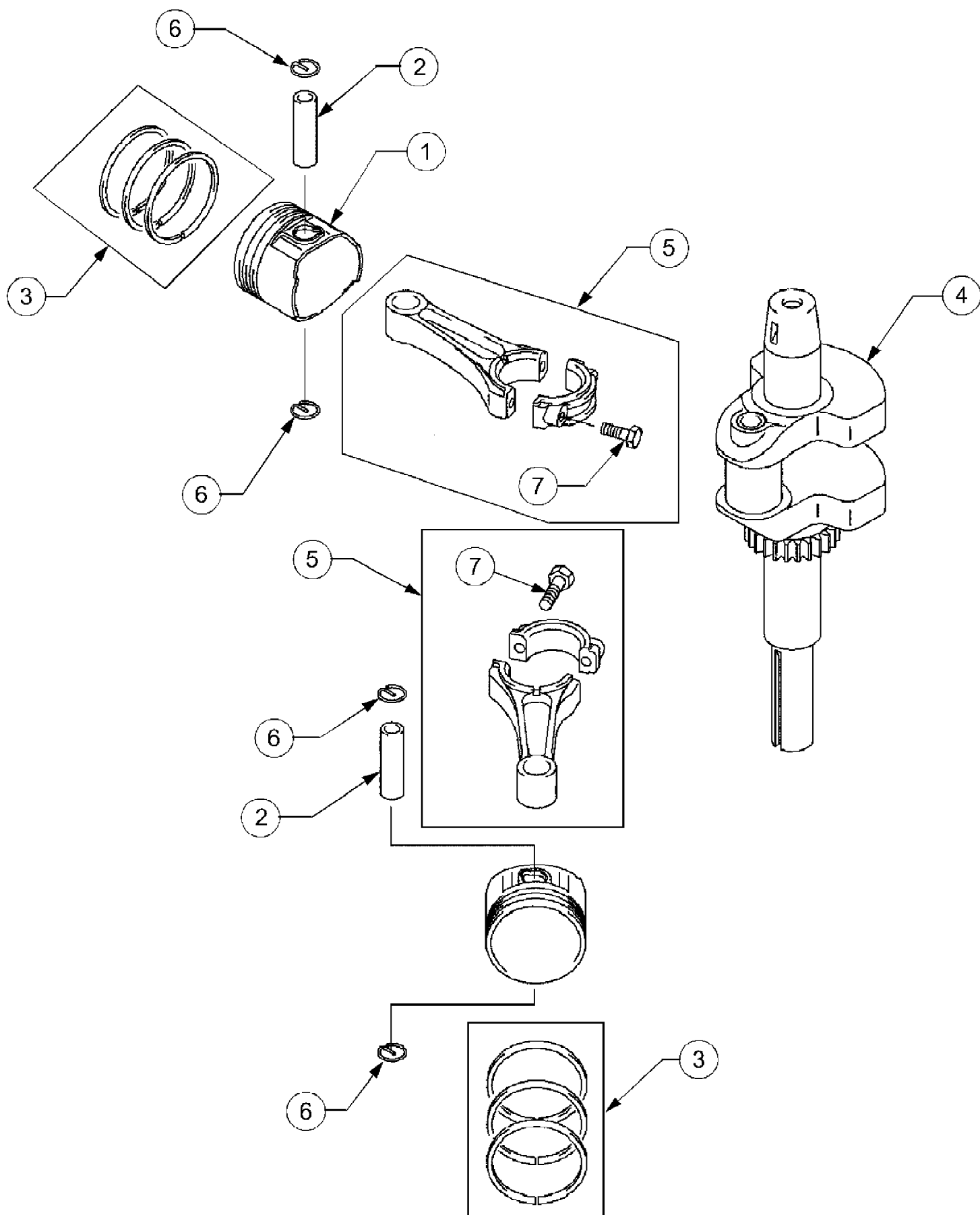
Ref #	Part Number	Qty	S/P/F	Description
40	738-3056	2	S	Shoulder Screw - 1/2 Dia x 2.50 Lg.
41	747-1116	2	/P	Rod, Handle, Deck Release .375 Dia
42	748-3065	4	S	Spacer, Spindle, Deck
43	750-1000	2		Spacer, .80 x 1.10 x 1.330
44	754-0641	1	S	Belt, V-Type
45	756-0627B	2	S	Pulley, Idler, 3.50 Dia.
46	756-1229	1		Pulley, Idler, 4.06 Dia. w/ Flange
47	756-3106	2		Pulley, Spindle
48	759-3829	2		Blade, 19.38 Lg, 3-in-1
49	783-1297	1	S	Deck Skirt, Mulching
50	783-1417A	1	/P	Bracket, Idler, Arm
51	783-1418	1	S	Bracket, Idler
52	618-04217	2	S	Spindle Housing Assembly (Greaseable) Includes bearings and seals Also furnish 737-3000 grease fitting for housing. Use with 710-04226 spindle bolt.
52	618-3129A	2	S	Spindle Housing Assembly (Non Greaseable) Includes Ref. Nos. 53 thru 56 use with 710-1889 greaseable spindle bolt
53	721-3018A	4	S	Seal, Oil, Single Lip
54	741-3028	4	S	Bearing, Cone
55	741-3029	4	/P	Cup, Bearing
56	750-3190A	2	/P	Spacer, Bearing, .780 x 1.000 x



1525
Pedal Assembly

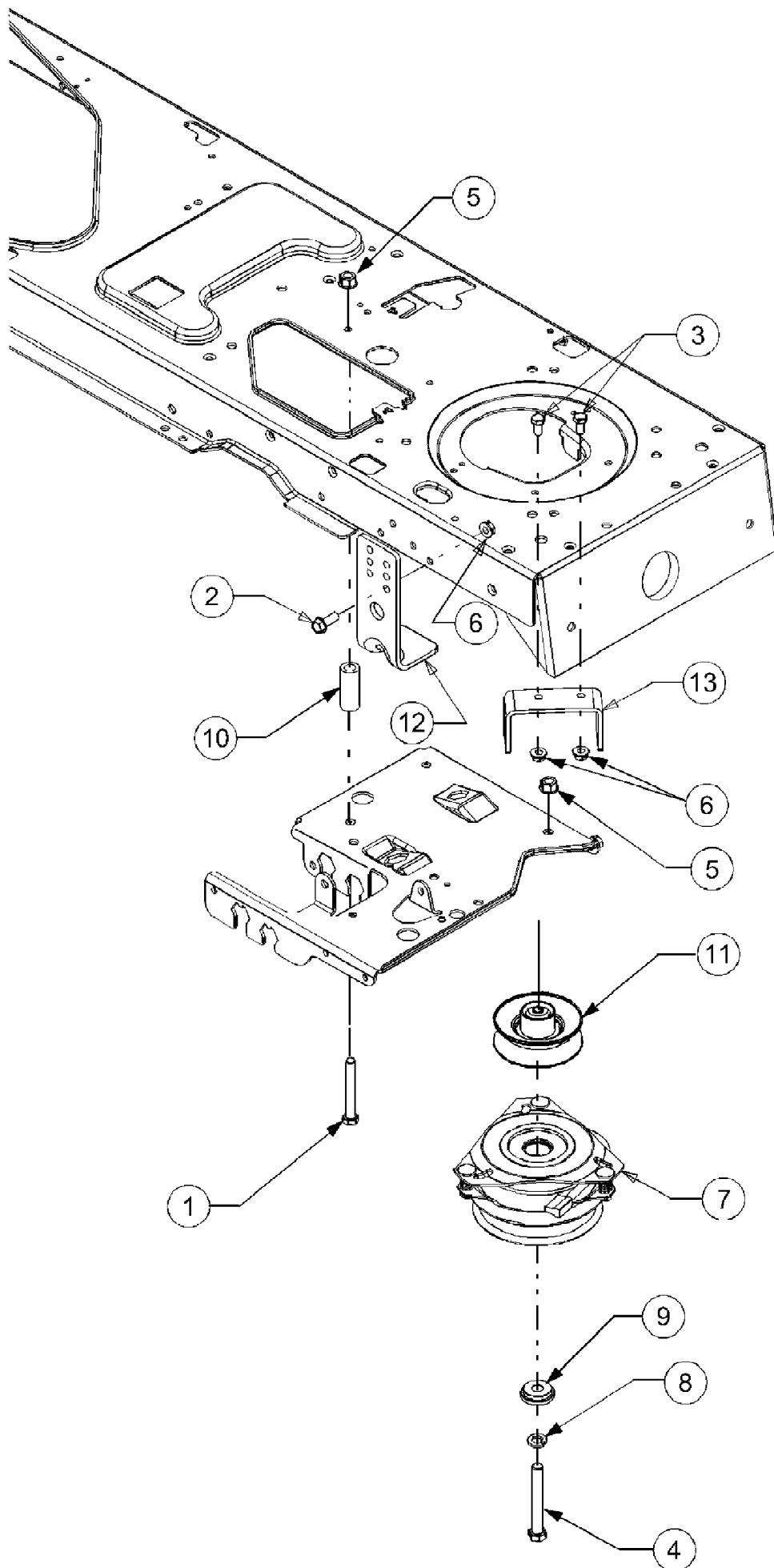
Page 44 of 54

Ref #	Part Number	Qty	S/P/F	Description
1	647-0031B	1	S	Control Assembly, Brake
2	647-0049	1	S	Control Assembly, Hydro
3	710-0726	4	/P	Screw, Self-tapping, 5/16-12, 0.75
4	710-0650	1	/P	Screw, Self-tapping, 5/16-18, 0.875
5	710-1260A	2	/P	Screw, 5/16-18, 0.750
6	711-0736	2	/P	Adjustment Ferrule 1/4-20 x 1.0
7	711-1363	1		Pin, 3/8-16, 3/8 x 2.43 Lg
8	712-0431	2	S	Nut, Flange Lock, 3/8-16
9	712-3004A	2	/P	Nut, Flange Lock, 5/16-18, Gr5
10	714-0104	5	S	Pin, Cotter, .072 Dia. x 1.13 Lg
11	714-0111	2	S	Pin, Cotter, 3/32, 1.0
12	719-0584	1		Pedal, Control
13	732-0335	1		Spring, Compression, .405 x 1.17
14	732-0955	1		Spring, Extension, .50 OD x 1.41 Lg
15	732-0963	1		Spring, Extension, .50 Dia x 6.37 Lg
16	735-3049	1	S	Pad, Brake, Control
17	736-0133	2	S	Washer, Flat, .411 x 1.25 x .100
18	710-1611B	1	/P	Screw, Torx Hd. Tapp. 5/16-18 x .75
19	736-0187	2	/P	Washer, Flat .64 ID x 1.24 x .06
20	736-3008	1	S	Washer, Flat, .344 x .750 x .120
21	738-0155	1	S	Shoulder, Screw .437 x 1.62 Lg
22	738-0507B	1	S	Screw, Shoulder, .500 Dia x .434
23	741-0225	2	S	Bearing, Hex Flange
24	741-3065B	2	/P	Bearing, Hex Flange, .628 ID, Split
25	747-1137	1		Rod, Control, Cruise
26	747-1138	1		Rod, Control, Brake Lock
27	748-0413	1		Latch, Cruise
28	783-0653F	1	S	Bracket, Support, Stearing
29	783-0663C	1	S	Bracket, Lockout, Hydro
30	783-1469A	1		Pedal, Brake
783-0650	783-0650	1		Hook To Flange In Frame



1525
Piston/Crankshaft

Ref #	Part Number	Qty	S/P/F	Description
1	KM-13001-7009	2		Piston, Engine
	KM-13029-7005	AR		Piston, Engine L,0.50
2	KM-13002-7001	2		Pin, Piston
3	KM-13008-7001	2		Ring Set, Piston
	KM-13025-7003	AR		Ring Set, Piston L,0.50
4	KM-13031-7033	1		Crankshaft, Comp
5	KM-13251-7007	2		Rod Assy, Connecting
	KM-13251-7008	2		Rod Assy, Connecting,U/S=0.50
6	KM-92033-7005	4		Ring, Snap
7	KM-130G0630	4	/P	Bolt, Flanged

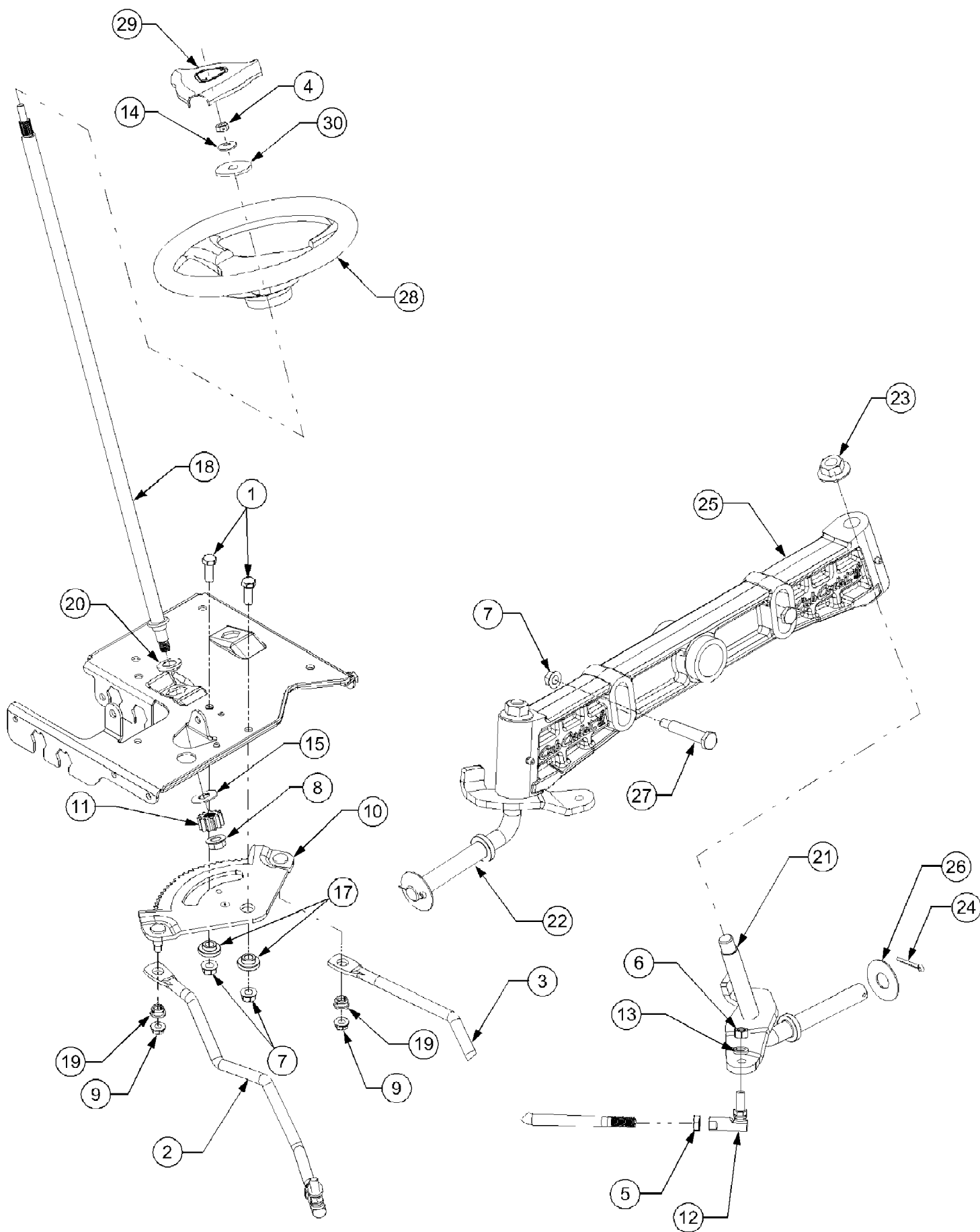


1525

Page 48 of 54

Power Take-Off (PTO) System

Ref #	Part Number	Qty	S/P/F	Description
1	710-0859	1	/P	Screw, 3/8-16 x 2.5 GR5
2	710-1238	1	/P	Screw, 5/16-18, .875 GR5
3	710-3025	2	/P	Screw, 5/16-18, .625 GR5
4	710-3157	1	S	Screw, Hex Cap, 7/16-20 x 3.25 GR5
5	712-0431	2	S	Nut, Flange Lock, 3/8-16
6	712-3004A	3	/P	Nut, Flange Lock, 5/16-18
7	717-1773	1	S	Clutch, Electric PTO, 6" (Model 1515)
8	736-0171	1	S	Washer, Lock, 7/16, Regular Duty
9	738-0785	1	S	Spacer, Shoulder, 1.38 x .445 x .36
10	748-0415A	1	S	Spacer, 3/8 x 1.54
11	756-0978A	1	S	Pulley, Engine
12	783-0891B	1		Deck Stop
13	783-1003	1	S	Bracket, Clutch



1525
Steering

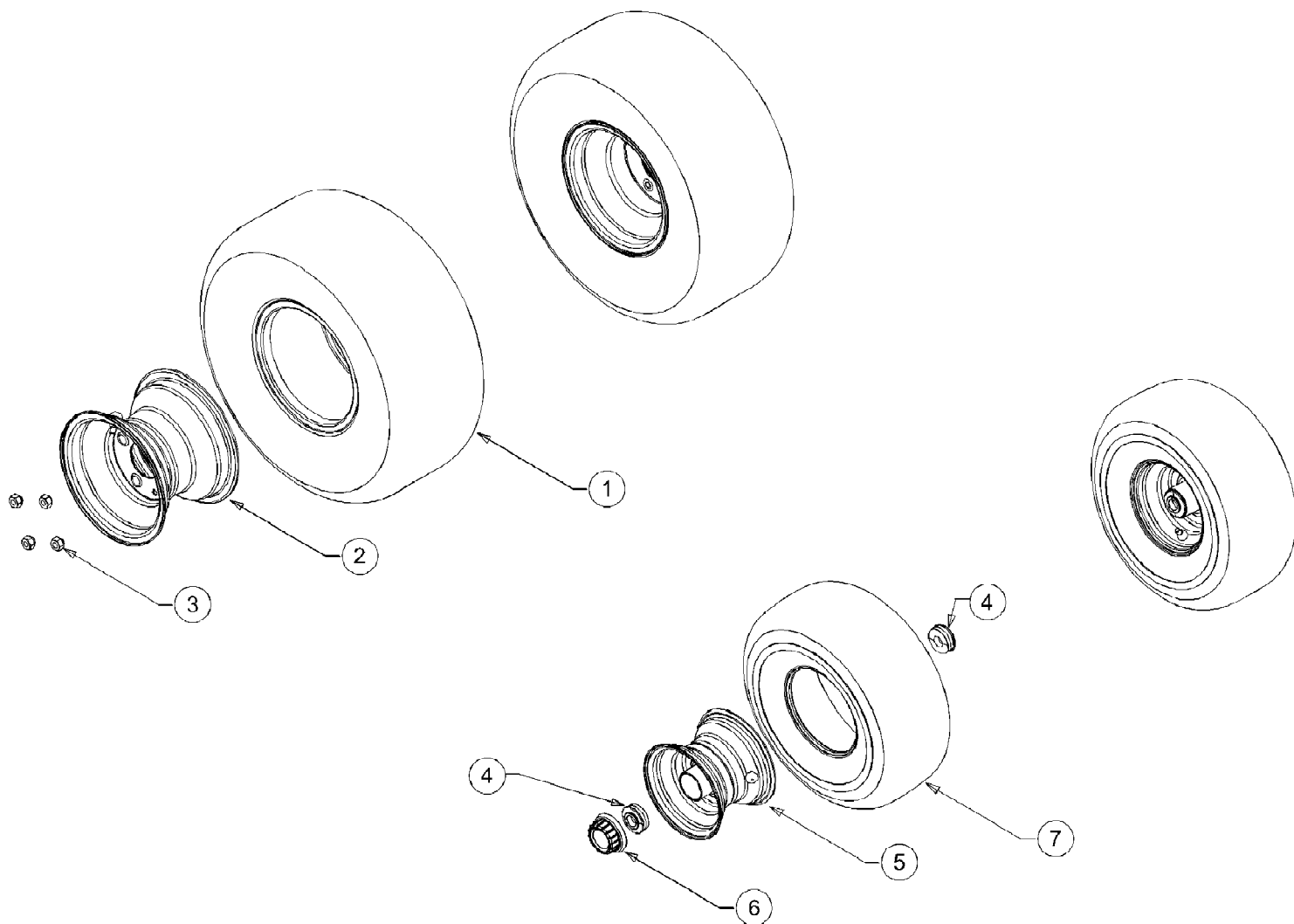
Page 50 of 54

Ref #	Part Number	Qty	S/P/F	Description
1	710-0514	2	/P	Hex Cap Screw, 3/8-16, 1.00, Gr5, Std
2	711-1408	1		Link, Drag, RH
3	711-1409A	1	/P	Link, Drag, LH
4	712-0237	1	S	Nut, Hex Lock, 5/16-24
5	712-0240	2	S	Nut, Jam, 7/16-20, Gr2
6	712-0241	2	/P	Nut, Hex, 3/8-24, Gr5
7	712-0431	4	S	Nut, Flange Lock, 3/8-16
8	712-0459	1	/P	Nut, Flange Lock, 7/16-20
9	712-3004A	2	/P	Nut, Flange Lock, 5/16-18
10	717-1550D	1	S	Gear, Steering, 11/90 Ratio
11	717-1554	1		Gear, Pinion, Steering
12	723-0610	2		Ball Joint, 7/16-20
13	736-0169	2	S	Washer, Lock, 3/8 , Regular Duty
14	736-0242	1	/P	Washer, Bell, .340 x .872 x .060
15	736-3084	1	/P	Washer, Flat, .510 x 1.120 x .060
?16	737-3007	1		Grease, Alvania Ep 2
17	738-0372B	2	/P	Spacer, Shoulder, 1.00 x .38 x .38
18	738-1194	1		Shaft, Steering, .625 OD x 25.00 Lg
19	741-0475	2	S	Bushing, Plastic, .380 ID
20	741-0656	1	S	Bearing, Hex Flange, 5/8
21	683-0605	1	S	Axle Assembly, LH .750 Dia
22	683-0606	1	S	Axle Assembly, RH .750 Dia
23	712-0417A	2	/P	Nut, Hex, Flange, 5/8-18
24	714-0162	2	/P	Pin, Cot, 5/32, 1.25
25	719-0583	1		Axle, Pivot, Cast .750 Dia
26	736-0866	2		Washer, Flat, .755 x 1.92 x .060
27	738-1011	2	S	Spacer, Shoulder, .500 x 2.230, 3/8-16
28	731-3209	1		Wheel, Steering, Soft Grip, Three Spoke
29	731-3210	1		Cover, Steering Wheel
30	736-04062	1	S	Washer, Flat, .344 x 1.5 x .10

1525
Valve/Camshaft

Page 52 of 54

Ref #	Part Number	Qty	S/P/F	Description
1	KM-12004-7003	2	/P	Valve, Intake
2	KM-12005-7003	2	/P	Valve, Exhaust
3	KM-12009-7001	4		Retainer, Valve Spring
4	KM-12011-2056	8		Collet
5	KM-12016-7001	4	S	Arm, Rocker
6	KM-12032-7001	4		Tappet
7	KM-13070-7001	2		Guide
8	KM-13070-7004	1	/P	Guide
9	KM-13116-2057	4		Rod, Push
10	KM-13270-7002	1	S	Plate
11	KM-13271-7007	1	/P	Plate
12	KM-42036-7001	1	S	Sleeve
13	KM-49078-7001	4		Spring, Engine Valve
14	KM-49118-7009	1		Camshaft, Comp
15	KM-92009-2341	4		Screw
16	KM-92015-2253	4		Nut
17	KM-92033-7001	2		Ring, Snap
18	KM-92140-7002	6	S	Ball
19	KM-92145-7001	1		Spring
20	KM-92151-7019	4	S	Bolt
21	KM-92200-7001	1		Washer



1525
Wheels

Ref #	Part Number	Qty	S/P/F	Description
1	734-3189	2	/P	Tire, Turf,Cub Cadet 20 x 9 x 8
2	634-0246A	2	S	Rim Assembly, 8.0 x 6.19 (4-Lug)
3	712-3050	8	/P	Lug Nut, 7/16-14
4	741-3032	4	S	Bearing, Ball, .75 ID x 1.75 OD
5	634-3015	2	S	Rim Assembly, Bead Lock, 6 x 4.5
6	731-3020	2	S	Hub Cap
7	734-3186	2	S	Tire, Turf,Cub Cadet 15 x 6 x 6
	737-0224	2		Gease Fitting
	734-0255	4	S	Valve, Tubeless Air