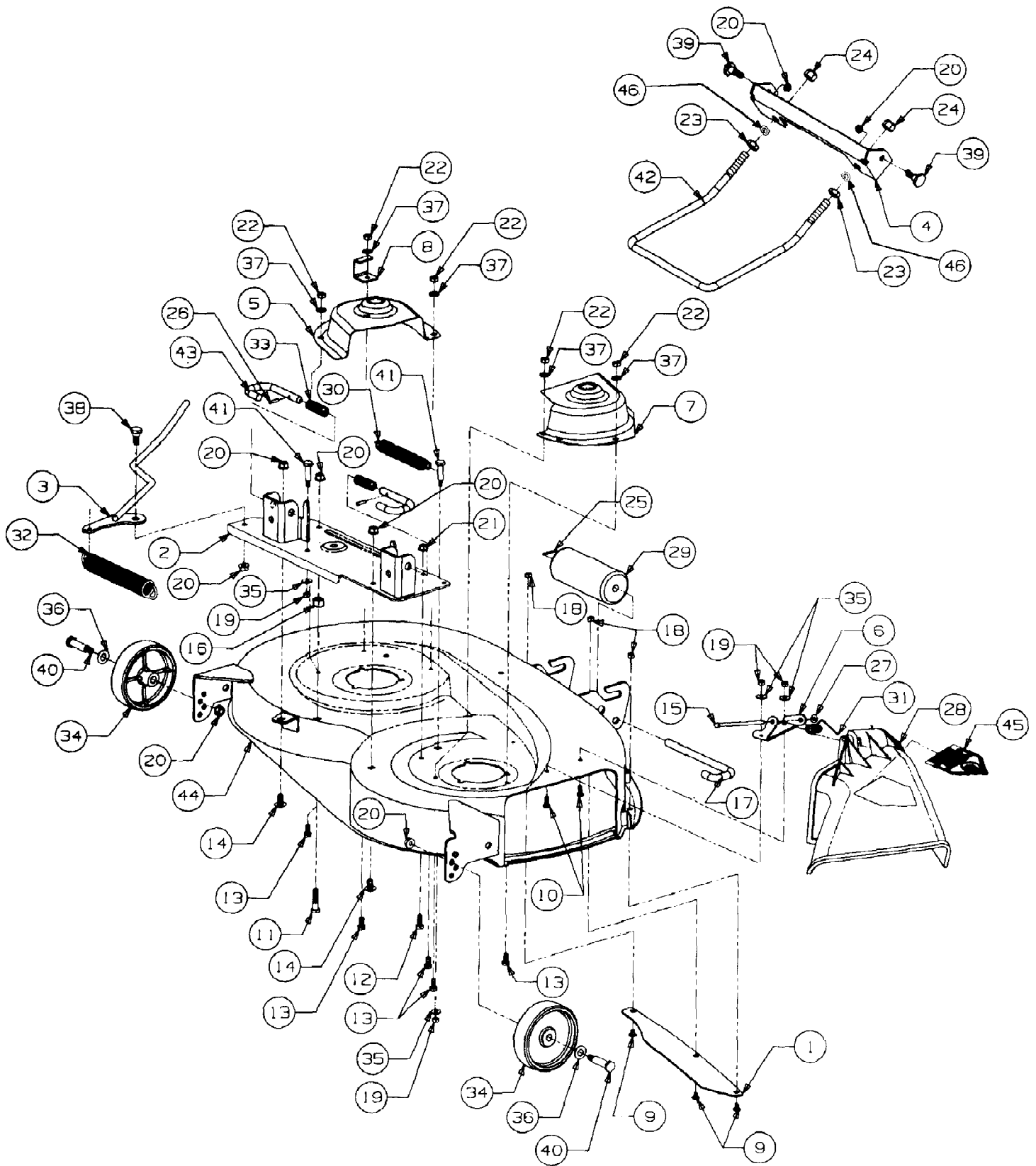


2135 Tractor S/N 326,006 & Up  
38" Deck Assembly Serial No. 359000 And Below



2135 Tractor S/N 326,006 & Up  
38" Deck Assembly Serial No. 359000 And Below

Page 2 of 84

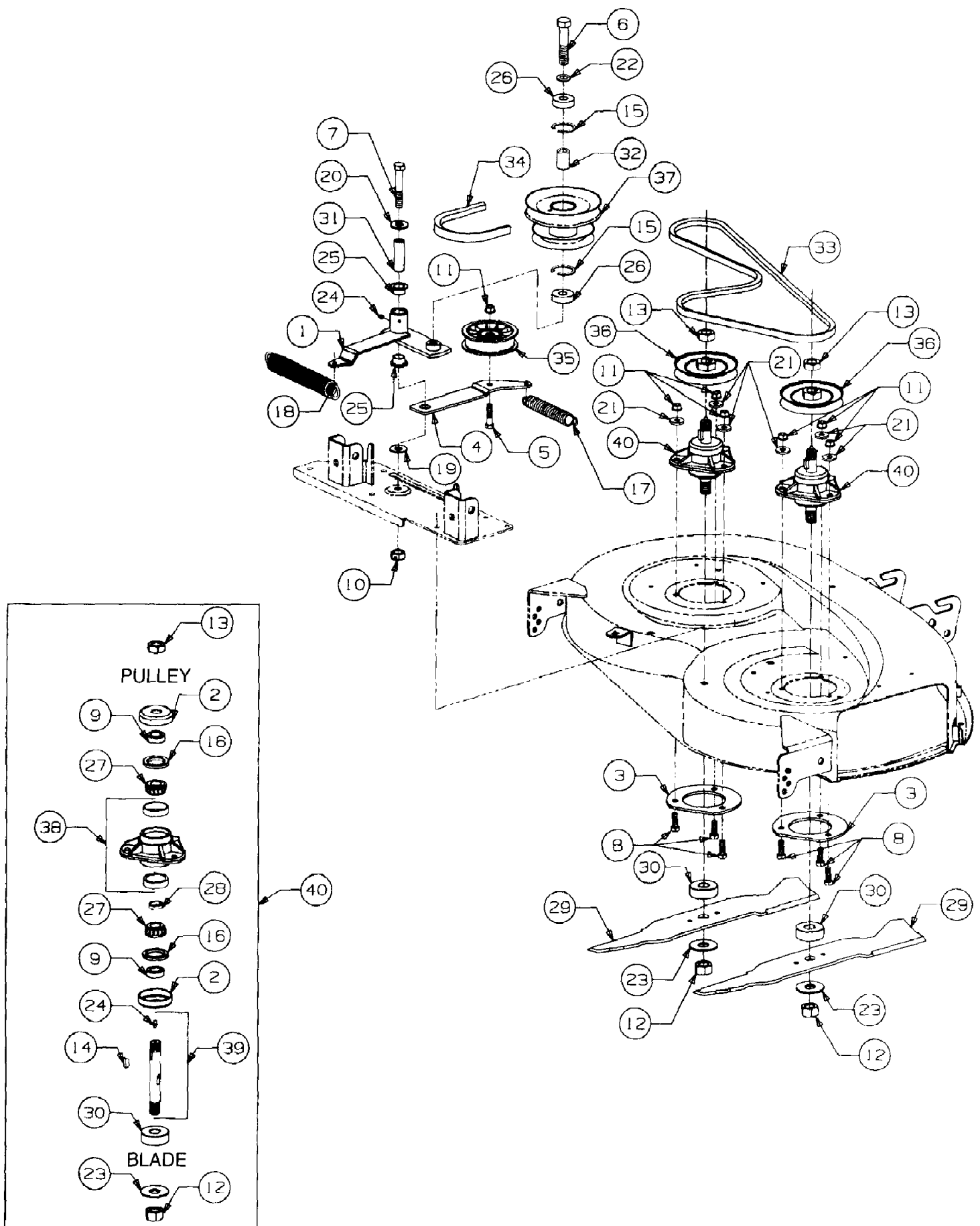
Ref #	Part Number	Qty	S/P/F	Description
1	17863	1	S	Skirt, Extension
2	603-0181	1	S	Plate Assembly, Mounting
3	603-0199	1		Handle, Tension
4	603-0200	1	S	Bracket, Front Lift
5	703-1413	1		Cover, LH Belt
6	703-1693	1	S	Bracket, Hinge Mounting
7	703-2182	1	S	Cover, RH Belt
8	703-2559	1		Bracket, handle Stop
9	710-0167	3	/P	Bolt, Carriage, 1/4-20 x .50
10	710-0258	2	S	Screw, Hex Cap, 1/4-20 x .62
11	710-0520	1	/P	Screw, Hex Cap 3/8-16 x 1.5 GR5
12	710-3008	1	/P	Screw, Hex Cap 5/16-18 x .75 GR5
13	710-3021	5	/P	Screw, Hex Cutting, 5/16-18 x .62
14	710-3178	2	/P	Bolt, Carriage, 3/8-16 x .75 GR5
15	711-0792	1	S	Pin, Hinge, .25 Dia x 6.75 Lg
16	711-3224	1		Spacer, .395 x .75 x .440
17	711-3314	1	S	Pin, Roller, 1/2 Dia x 7.31 Lg
18	712-0271	3	/P	Nut, Hex Sems, 1/4-20
19	712-0287	4	S	Nut, Hex, 1/4-20
20	712-0431	8	S	Nut, Hex Flange Lock, 3/8-16
21	712-3004A	1	/P	Nut, Hex Flange Lock, 5/16-18
22	712-3010	5	S	Nut, Hex, 5/16-18 GR5
23	712-3048	2	S	Nut, Hex Jam, 1/2-13 GR5
24	712-3083	2	/P	Nut, Hex Insert Lock, 1/2-13
25	714-0115	1	S	Pin, Cotter, 1/8 x 1.0
26	715-3003	2	/P	Pin, Spirol Spring, 3/16 x .75
27	726-0106	1	S	Cap, Speed Nut
28	731-1032	1	S	Deflector Assy, Chute (Includes Ref No 6, 15, 27 & 31)
29	731-3005	1	/P	Roller
30	732-0262	1	S	Spring, Extension, .88 OD x 6.12
31	732-0602	1	S	Spring, Torsion
32	732-3115	1	/P	Spring, Extension, 1.25 OD x 8.15
33	732-3127	2	S	Spring, Compression
34	734-0973	2	/P	Wheel, Deck, 5 in. Dia
35	736-0270	4	/P	Washer, Bell, .265 x .75 x .062
36	736-0272	2	S	Washer, Flat, .510 x 1.0 x .060
37	736-0275	5	S	Washer, Flat, .34 x .68 x .062
38	738-0143	1	/P	Bolt, Shoulder, .498 Dia x .340 Lg
39	738-507B	2		Bolt, Shoulder, .50 Dia x .434 Lg
40	738-0533	2	S	Bolt, Shoulder, .498 Dia x 1.64 Lg
41	738-0572	2	S	Bolt, Shoulder, .375 Dia x 1.16 Lg
42	747-3172	1	S	Rod, Front Lift
43	747-3188	2		Pin, Mower Support
44	759-3730	1		Deck Assy w/Graphics
	777-9192B	1	S	Graphic, Rider Danger
	777-1043	1		Graphic, Man & Machine
	777-9341	1	S	Graphic, Assemble Chute
	777 3947	1		Graphic, Tension Lever
45	777-1584	1	S	Graphic, Danger
46	736-0921	2	S	Washer, Lock, 1/2



2135 Tractor S/N 326,006 & Up  
38" Deck Assembly Serial No. 359001 And Above

Page 4 of 84

Ref #	Part Number	Qty	S/P/F	Description
1	603-0181A-0498	1	S	Plate Assembly, Mounting
2	603-0199	1		Handle, Tension
3	603-0200-0498	1	S	Bracket, Front Lift
4	603-0408-0498	1		Deck Assy, 38" w/out Front Wheels
4	603-0408A-0498	1		Deck Assy, 38" w/Front Wheels
	777S30010	1	S	Graphic, Danger Top/RH Deck
	777S30014	1	/P	Graphic, Tension Lever
	777S30018	1	/P	Graphic, Safety Top/LH Deck
	777S30012	1	S	Graphic, Assembly Chute
5	703-1693-0498	1		Bracket, Hinge Mounting
6	703-2559-0498	1	S	Bracket, Handle Stop
7	703-3237-0498	1	/P	Shield, RH Pulley
8	703-2945-0498	1	S	Shield, LH Pulley
9	710-0751	2	/P	Screw, Hex Cap, 1/4-20 x .62 GR5
10	710-1260A	3	/P	Screw, Hx Wsh Hd Tapp, 5/16-18 x.75
11	710-3008	2	/P	Screw, Hex Cap, 5/16-18 x .75 GR5
12	710-3178	3	/P	Bolt, Carriage, 3/8-16 x .75
13	711-0792	1	S	Pin, Hinge, .25 Dia x 6.75 Lg
14	711-3314	1	S	Pin, Roller, 1/2 Dia x 7.31 Lg
15	712-0431	10	S	Nut, Hex Flange Lock, 3/8-16
16	712-3004A	5	/P	Nut, Hex Flange Lock, 5/16-18 GR5
17	712-3006	4	/P	Nut, Hex, 1/4-20
18	712-3048	2	S	Nut, Hex Jam, 1/2-13 GR5
19	712-3083	2	/P	Nut, Hex Insert Lock, 1/2-13
20	714-3004	1		Pin, Cotter, 3/32 x 1.25
21	715-3003	2	/P	Pin, Spirol Spring, 3/16 x .75
22	726-0106	1	S	Cap, Speed Nut
23	731-1032	1	S	Deflector Assy, (Incl 5, 13, 22, 26)
24	731-3005	1	/P	Roller
25	732-0262	1	S	Spring, Extension, .88 OD x 6.12
26	732-0602	1	S	Spring, Torsion
27	732-3115	1	/P	Spring, Extension, 1.25 OD x 8.15
28	732-3127	2	S	Spring, Compression
29	734-0973	2	/P	Wheel, Deck, 5 in. Dia
30	736-0270	4	/P	Washer, Bell, .265 x .75 x .062
31	736-0272	4	S	Washer, Flat, .510 x 1.0 x .060
32	736-0921	2	S	Washer, Lock, 1/2
33	738-0143	1	/P	Bolt, Shoulder, .498 Dia x .340 Lg
34	738-507B	2		Bolt, Shoulder, .50 Dia x .434 Lg
35	738-0533	2	S	Bolt, Shoulder, .498 Dia x 1.64 Lg
36	738-0572	2	S	Bolt, Shoulder, .375 Dia x 1.16 Lg
37	747-3172	1	S	Rod, Front Lift
38	747-3188	2		Pin, Mower Support
39	777S30145	1	S	Graphic, Danger
40	703-1890	2	S	Wheel, Deck w/Fitting
	737-0280	2	S	Lube Fitting
41	738-3056	2	S	Bolt, Shoulder, 1/2 x 2.5
42	736-0105	2	/P	Washer, Bell, .401 x .870 x .063



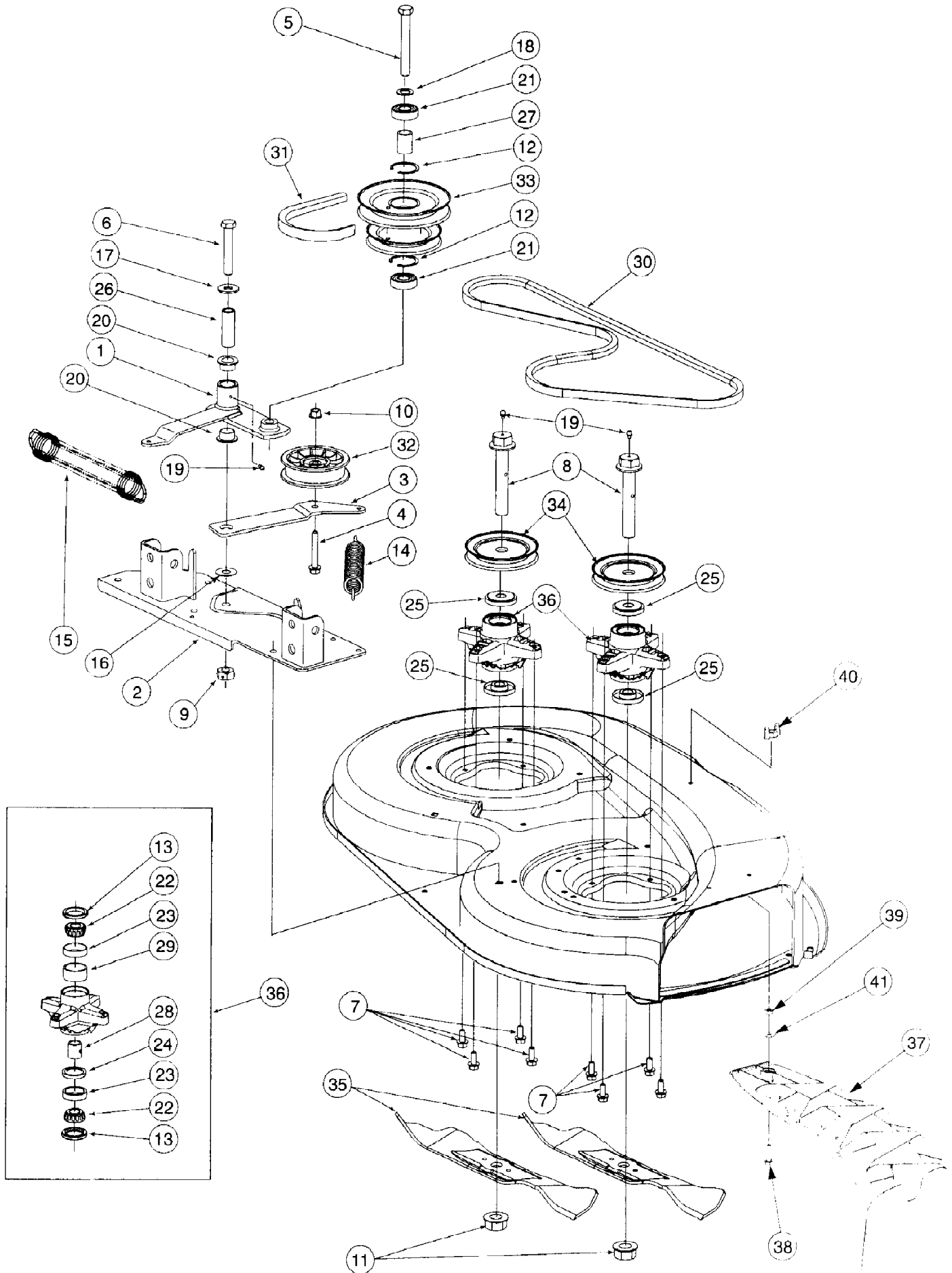
2135 Tractor S/N 326,006 & Up  
38" Spindle Assembly Serial No. 359000 And Below

Page 6 of 84

Ref #	Part Number	Qty	S/P/F	Description
1	603-0172	1	S	Pivot Arm, Double Pulley
2	703-1387	4	S	Cup, Spindle Hdn
3	703-1650	2	/P	Plate, Spindle Mounting
4	703-2463	1	S	Arm, Idler
5	710-0520	1	/P	Screw, Hex Cap, 3/8-16 x 1.5 GR5
6	710-0923	1	/P	Screw, Hex Cap, 5/8-18 x 3.0 GR5
7	710-1010	1	/P	Screw, Hex Cap, 1/2-20 x 3.0 GR8
8	710-3005	6	/P	Screw, Hex Cap, 3/8-16 x 1.25 GR5
9	711-3171	4	S	Spacer, .755 x 1.25 x .44
10	712-0239	1	S	Nut, Hex Center Lock, 1/2-20
11	712-0431	7	S	Nut, Hex Flange Lock, 3/8-16
12	712-3018	2	S	Nut, Hex, 3/4-16 GR8
13	712-3026	2	S	Nut, Hex Jam, 3/4-16 GR5
14	714-0135	2	S	Key, #91 Woodruff, 1/4 x 3/4 Hdn
15	716-3020	2	S	Snap Ring, Internal
16	721-3018	4	S	Seal, Oil, 1.25 x 1.874 x .25
17	732-0262	1	S	Spring, Extension, .88 x 6.12
18	732-3115	1	/P	Spring, Extension, 1.25 x 8.15
19	736-0100	1	/P	Washer, Flat, .531 x 1.25 x .036
20	736-0179	1	S	Washer, Flat, .531 x 1.25 x .100
21	736-0258	6	/P	Washer, Flat, .385 x 1.0 x .135
22	736-0290	1	/P	Washer Flat .63 x 1.0 x .063 Hdn
23	736-3014	2	/P	Washer, Flat, .781 x 2.0 x .105
24	737-3000	3	S	Fitting, 3/16 Drive Lube
25	741-0338	2	/P	Bearing, Flange, 3/4 ID x .53 Lg
26	741-0524	2	S	Bearing, Ball, .62 ID x 1.57 OD
27	741-3028	4	S	Cone, Bearing
28	741-3030	2	S	Spacer, Bearing
29	759-3817	2	/P	Blade, Low Lift, 19.38 Lg
	759-3831	2	/P	Blade, Hard Coated Low Lift 19.38
	759-3816	2	/P	Blade, Bagging, 19.38 Lg
	759-3832	2	/P	Blade, Hard Coated Bagging, 19.38 Lg
30	748-3020	2	S	Spacer
31	750-0656	1	/P	Spacer, Idlr Brkt, .50 ID x .75 OD x 2.25
32	750-3132	1	S	Spacer, Pulley, .635 ID x .88 OD x 1.25
33	754-3029	1	S	Belt, Spindle, A-Section x 59 Lg
34	754-3055A	1	S	Belt, PTO, B-Section x 112.4 Lg
35	756-0627	1	S	Pulley, Flat Idler, 3.5 OD
36	756-3008	2	/P	V-Pulley, 4.62 OD
37	756-3070	1	S	Pulley, Double
38	759-3226	2	S	Housing w/Cups, Spindle
39	759-3369	2	S	Kit, Shaft w/Seal
40	759-3665	2	S	Spindle Assembly, Blade



2135 Tractor S/N 326,006 & Up  
38" Spindle Assembly Serial No. 359001 And Above



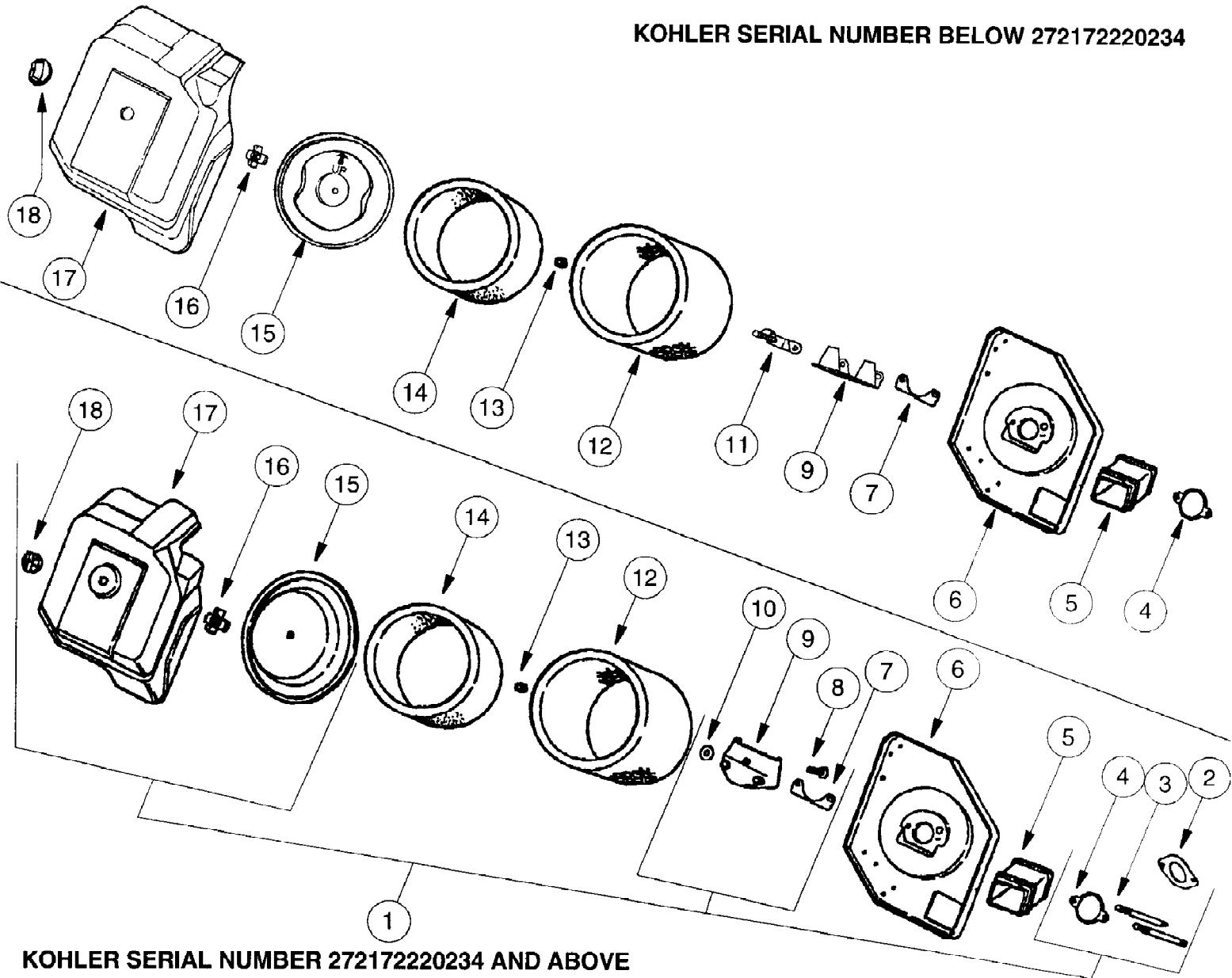
2135 Tractor S/N 326,006 & Up  
38" Spindle Assembly Serial No. 359001 And Above

Page 8 of 84

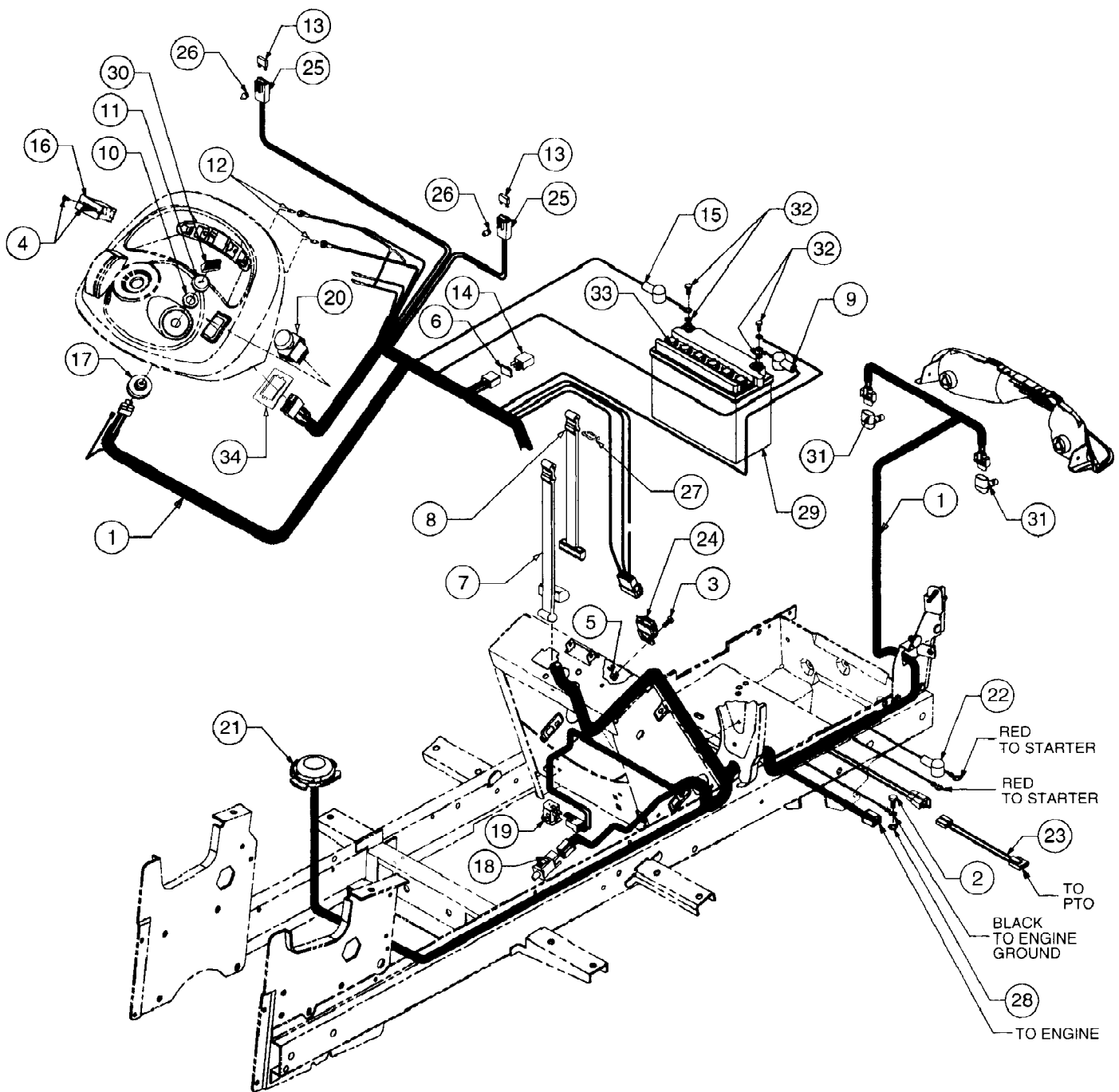
Ref #	Part Number	Qty	S/P/F	Description
1	603-0172-0498	1	S	Pivot Arm, Double Pulley
2	603-0181A-0498	1	S	Plate Assembly, Mounting
3	703-2463-0498	1	S	Arm, Idler
4	710-0520	1	/P	Screw, Hex Cap, 3/8-16 x 1.5 GR5
5	710-0923	1	/P	Screw, Hex Cap, 5/8-18 x 3.0 GR5
6	710-1010	1	/P	Screw, Hex Cap, 1/2-20 x 3.0 GR8
7	710-1260	8	S	Screw, Hx Wsh Hd Tapp, 5/16-18 x .75
8	710-1336	2	S	Bolt, Spindle, 3/4-16 x 4.25
9	712-0239	1	S	Nut, Hex Center Lock, 1/2-20
10	712-0431	1	S	Nut, Hex Flange Lock, 3/8-16
11	712-3078	2	/P	Nut, Hex Flange, 3/4-16
12	716-3020	2	S	Snap Ring, Internal
13	721-3018	4	S	Seal, Oil, 1.25 x 1.874 x .25
14	732-0262	1	S	Spring, Extension, .88 x 6.12
15	732-3115	1	/P	Spring, Extension, 1.25 x 8.15
16	736-0100	1	/P	Washer, Flat, .531 x 1.25 x .036
17	736-0179	1	S	Washer, Flat, .531 x 1.25 x .100
18	736-0290	1	/P	Washer, Flat, .63 x 1.0 x .063 Hdn
19	737-3000	3	S	Fitting, 3/16 Drive Lube
20	741-0338	2	/P	Bearing, Flange, 3/4 ID x .53 Lg
21	741-0524	2	S	Bearing, Ball, .62 ID x 1.57 OD
22	741-3028	4	S	Cone, Bearing
23	741-3029	4	/P	Cup, Bearing
24	741-3031	2	S	Spacer, Bearing
25	748-3065	4	S	Spacer, Deck Spindle
26	750-0656	1	/P	Spacer, Idlr Brkt .50 ID x .75 OD x 2.25
27	750-3132	1	S	Spacer, Pulley, .635 ID x .88 OD x 1.25
28	750-3190	2	S	Spacer, Bearing, .780 x .963 x .7777
29	750-3191	2	S	Spacer, Bearing, 1.615 x 1.86 x .8427
30	754-3029	1	S	Belt, Spindle, A-Section x 59 Lg
31	754-3055A	1	S	Belt, PTO, B-Section x 112.4 Lg
32	756-0627	1	S	Pulley, Flat Idler, 3.5 OD
33	756-3070	1	S	Pulley, Double
34	756-3089	2		V-Pulley, 4.0 Dia
35	759-3829	2		Blade, 3 In One, 19.38 Lg
36	918-3129	2	S	Spindle Assy, (Incl. 13, 22-24, 28, 29)
37	731-1643A	1	S	Plug, Mulch
38	710-0597	1	/P	Screw, Hex Cap, 1/4-20 x 1.0 GR5
39	712-3006	1	/P	Nut, Hex, 1/4-20
40	712-3087	1	/P	Nut, Wing, 1/4-20
41	736-0173	1	/P	Washer, Flat, .28 x .74 x .063



KOHLER SERIAL NUMBER BELOW 272172220234



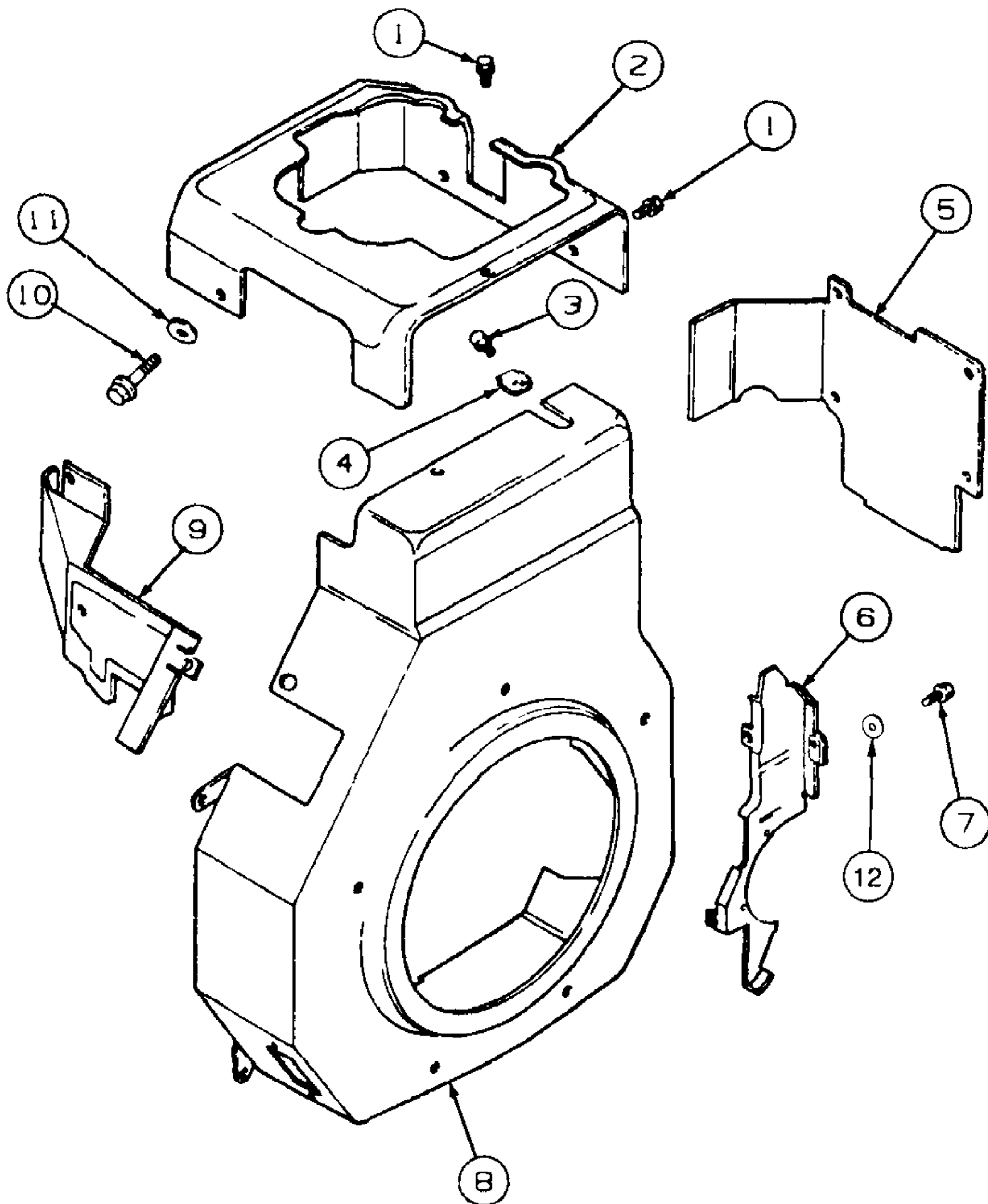
Ref #	Part Number	Qty	S/P/F	Description
1	KH-12-755-84	1	S	Kit, Fuel Recovery (Includes 2-4, 7-10, 13, and 15-18)
2	KH-12-041-01	1	/P	Gasket, Carburetor
3	KH-M-0629116	2		Stud, M6 x 1.0 x 116
4	KH-12-041-02	1	/P	Gasket, Air Cleaner
5	KH-12-123-07	1	/P	Tube, Air Cleaner
6	KH-12-094-06	1		Base, Air Cleaner
7	KH-12-041-09	1	/P	Gasket, Collector Plate
8	KH-12-211-02	1		Bolt, Carriage, M6 x 1.0 x 22
9	KH-12-146-14	1	S	Plate, Air Cleaner
	KH-12-109-08	1		Cup, Fuel Spit Back (Replaces KH-12-146-14 by Ordering Kit # KH-12-755-84)
10	KH-12-018-04	1	S	Retainer, Ring
11	KH-12-126-47	1	S	Bracket, Air Cleaner
12	759-3547	1	S	Element, Air Cleaner
13	KH-24-032-03	1	/P	Seal, Inner Air Cleaner
14	KH-52-083-01	1	S	Pre-Cleaner, Element
15	KH-12-096-35	1	/P	Cover, Air Cleaner Element
	KH-12-096-37	1		Cover, Air Cleaner Element (Replaces KH-12-096-35 by Ordering Kit # KH-755-84)
16	KH-12-100-01	1	/P	Wingnut, Element Cover
17	KH-12-096-41	1	S	Cover, Air Cleaner Base
18	KH-25-341-03	1	/P	Knob, Air Cleaner Cover



Ref #	Part Number	Qty	S/P/F	Description
1	629-3020	1	S	Wire Harness, Main S/N F309G and prior
	629-3068	1	S	Wire Harness, Main S/N G019G and after
	725-0157	4	/P	Tie, Self-Clinch Cable
	726-0154	5	S	Tie, Pushmount
	726-3055	9		Clip, Cable
2	710-0237	1	/P	Screw, Hex Cap, 5/16-24 x .62
3	710-0751	1	/P	Screw, Hex Cap, 1/4-20 x .625 GR5
4	710-0936	2		Screw, Truss Hd Tapp, #6 x .62
5	712-0271	1	/P	Nut, Hex Sems, 1/4-20
6	721-0342	1	S	Gasket, Silicone
7	723-0445	1	S	Strap, Battery Retainer (S/N 359001 and Above - used w/725-1707B battery; Incl. Ref. No. 27))
8	723-3064	1		Strap, Battery Retainer (S/N 359000 and Below - used w/753-0608 battery; Incl. Ref. No. 27))
9	725-0340	1		Cover, Terminal Black
10	725-1346	1	S	Nut, Ignition Switch
11	725-1347	1	/P	Cap, Ignition Switch
12	725-1365	3	S	Bulb, Indicator
13	725-1381	2	S	Fuse, 20 Amp
14	725-1648	1	S	Relay
15	725-3007A	1	/P	Cover, Terminal Red
16	725-3159	1	S	Hour Meter
17	725-3163	1	S	Switch, Ignition
18	725-3164A	1	S	Switch, Interlock (Brake)
19	725-3166	2	S	Switch, Snap Mount - Normally Closed
20	725-3233	1	S	Switch, PTO
21	725-3234	1	S	Switch, Seat
22	725-3237	1		Cover, Terminal Red
23	725-3242	1	S	Adapter, PTO Harness
24	725-3251	1	S	Module, Voltage Sensor
25	729-0207	2		Holder, Fuse (S/N 359000 and Below)
	729-0357	2		Holder, Fuse w/Mounting Clip (S/N 359001 and Above)
26	729-0209	2		Clip, Fuse Holder Mounting
27	732-0696	1		Hook, Wire Rectangular
28	736-0607	1	/P	Washer, External Lock, 5/16
29	753-0608	1	/P	Battery (S/N 359,000 and below)
	725-1707B	1	S	Battery (S/N 359,001 thru 389,000 & S/N I016G thru K037G)
	725-1707C	1	S	Battery (S/N K037G thru I018G)
	725-1706	1	S	Battery (S/N I018G to present)
30	759-3476A	1	S	Key, Ignition (Set of 2)
31	759-3693	2	S	Bulb, Head Lamp
32	759-3749	1	/P	Battery Cable Hardware (Set of 2) (Used with 753-0608 Battery)
	710-3015	2	/P	Screw (Used with 725-1707B/C)
	712-0271	2	/P	Sems Nut (Used with 725-1707B/C)
33	759-3750	6		Cap, Battery (Used w/753-0608 Batt.)
	725-0691	6		Cap, Battery (Used w/725-1707B Batt.)

2135 Tractor S/N 326,006 & Up  
Battery, Electrical Components and Switches

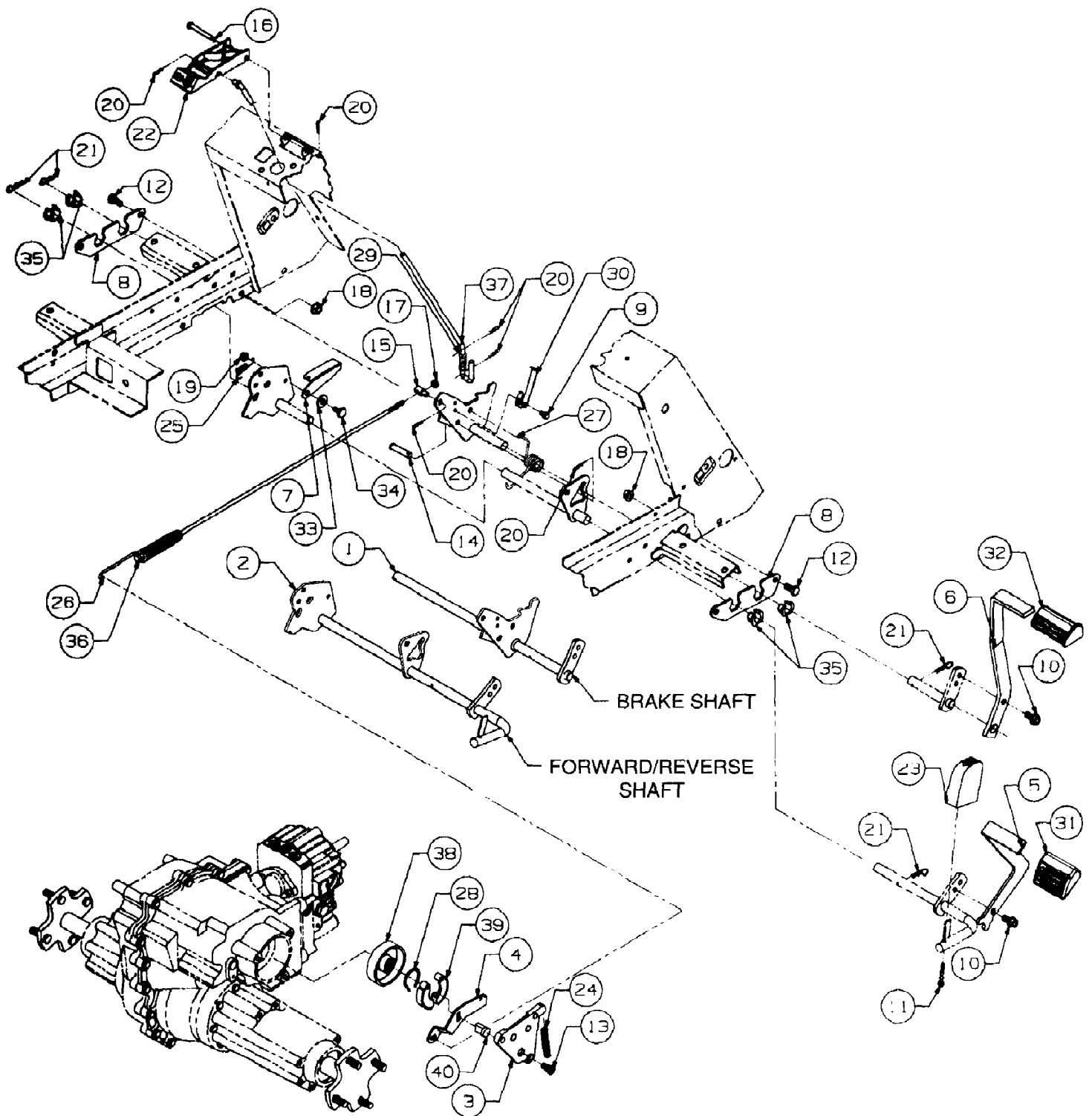
Ref #	Part Number	Qty	S/P/F	Description
34	783-0462	1	/P	Bracket, PTO Switch Retainer





Ref #	Part Number	Qty	S/P/F	Description
1	KH-M-0545010	5	/P	Screw, Hex Flange, M5 x .8 x 10
2	KH-12-063-08	1	/P	Baffle, Cylinder Head
3	KH-M-0645016	3	S	Screw, Hex Flange, M5 x .8 x 16
4	KH-25-154-02	3		Clip, Mounting
5	KH-12-063-14	1		Baffle, Cylinder
6	KH-12-146-07	1	/P	Plate, Blower Housing
7	KH-M-0545020	3	/P	Screw, Hex Flange, M5 x .8 x 20 (Engine Spec No 22508)
	KH-12-086-37	3		Screw, w/Washer M5 x .8 x 20 (Engine Spec No 22531)
8	KH-12-027-32	1		Housing, Blower (Engine Spec No 22508)
	KH-12-027-55	1	S	Housing, Blower (Engine Spec No 22531)
9	KH-12-063-05	1		Baffle, Intake Side
10	KH-24-086-18	2		Screw, Hex Head
11	KH-X-25-92	2		Washer, Plain
12	KH-24-468-10	1		Washer, Plain 1/4" (Engine Spec No 22531)

2135 Tractor S/N 326,006 & Up  
Brake And Control Pedals Serial Number 359,000 And Below

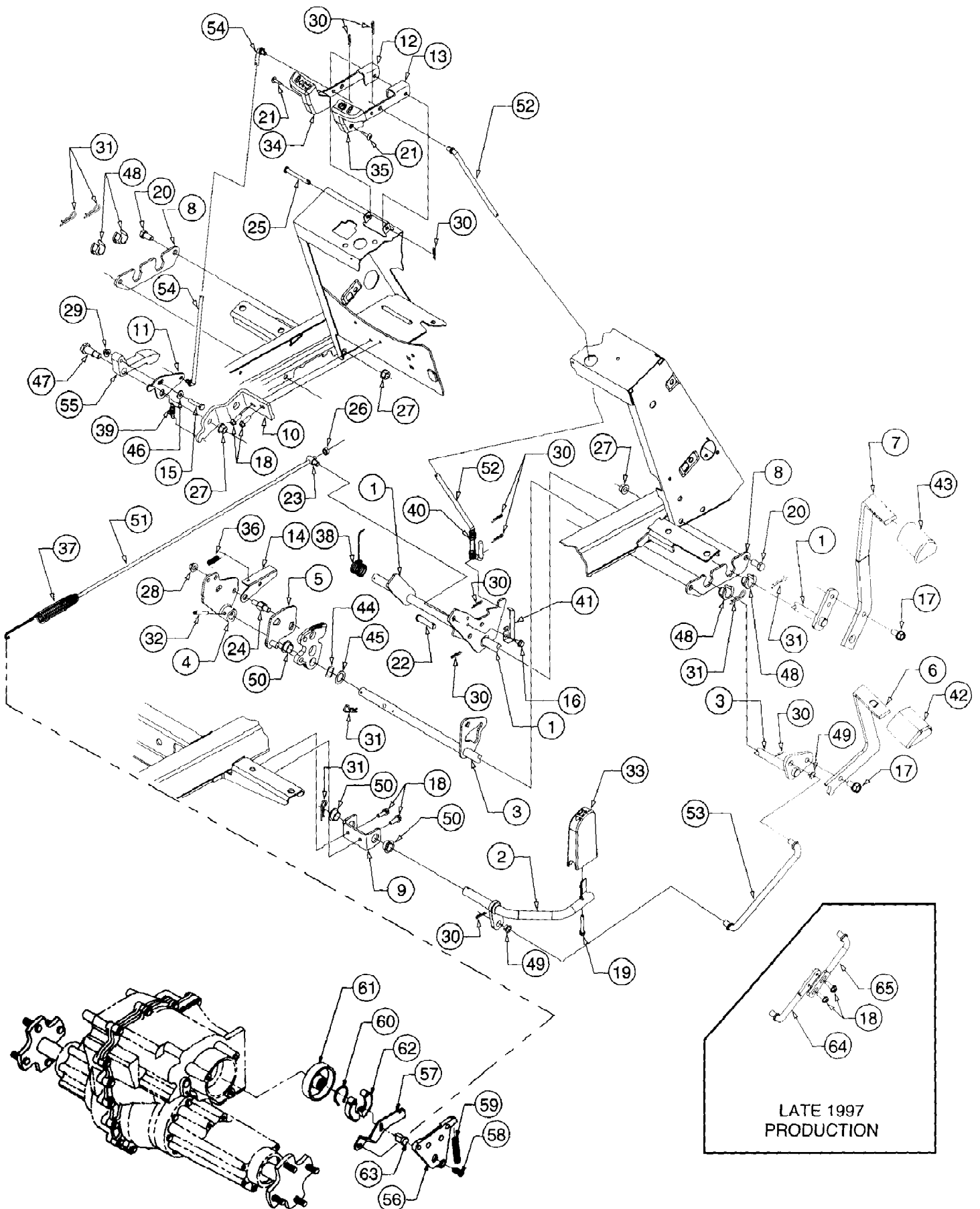


2135 Tractor S/N 326,006 & Up  
Brake And Control Pedals Serial Number 359,000 And Below

Page 17 of 84

Ref #	Part Number	Qty	S/P/F	Description
1	603-0321	1		Shaft Assy, Brake
2	603-0322	1		Shaft Assy, Forward/Reverse
3	618-3060	1	S	Plate, Brake
4	703-2191	1		Arm, Brake
5	703-2570-0498	1	S	Pedal, Forward
6	703-2573-0498	1	S	Pedal, Brake
7	703-2582	1	S	Actuator, Reverse Switch
8	703-2804	2		Plate, Bearing Mounting
9	710-0599	1	/P	Screw, Hex Wash Tapp, 1/4 x .50 Lg
10	710-0623	2	/P	Screw, Hex Wash Tap, 3/8-16 x .75 Lg
11	710-0796	1	/P	Screw, Truss Mach Tapp, #12 x 1.5
12	710-3000	2	S	Screw, Hex Cap, 3/8-16 x .75 GR5
13	710-3262	1		Screw, Low Hd Cap, 3/8-16 x .75
14	711-0415	1	S	Pin, Clevis, 3/8 OD x 1.62 Lg
15	711-0736	1	/P	Ferrule, Adjustment
16	711-3295	1	S	Pin, Clevis, 1/4 OD x 2.38 Lg
17	712-0271	1	/P	Nut, Hex Sems, 1/4-20
18	712-0431	2	S	Nut, Hex Flanged Lock, 3/8-16
19	712-3027	1	S	Nut, Hex Flange Lock, 1/4-20
20	714-0104	6	S	Pin, Internal Cotter, 5/16 Dia x 1.12
21	714-0145	4	S	Pin, Internal Cotter, 3/8 Dia x 1.625
22	731-3165	1	S	Lever, Park Brake
23	731-3167	1	S	Pad, Reverse Pedal
24	732-0152	1		Spring, Compression
25	732-0418	1		Spring, Extension, .38 OD x 2.10 Lg
26	732-0463	1	S	Spring, Extension, .75 OD x 5.0 Lg
27	732-0756A	1	S	Spring, Torsion
28	732-3077	1		Spring, Brake
29	732-3099	1		Spring, Compression, .5 OD x 2.23
30	732-3117	1		Actuator, Neutral Switch
31	735-3048	1		Pad, Forward Pedal
32	735-3049	1	S	Pad, Brake Pedal
33	736-0185	1	S	Washer, Flat, .406 x .75 x .063
34	738-0255	1	S	Bolt, Shoulder, .375 Dia x .181 Lg
35	741-3065	4	S	Bearing, Hex Flange Split
36	747-3216	1		Rod, Brake
37	747-3219	1		Rod, Park Brake Engagement
38	761-3019	1		Drum, Brake
39	761-3020	1	S	Shoe, Brake
40	761-3028	1		Actuator, Brake Shoe

2135 Tractor S/N 326,006 & Up  
Brake And Control Pedals Serial Number 359,001 And Above



2135 Tractor S/N 326,006 & Up  
Brake And Control Pedals Serial Number 359,001 And Above

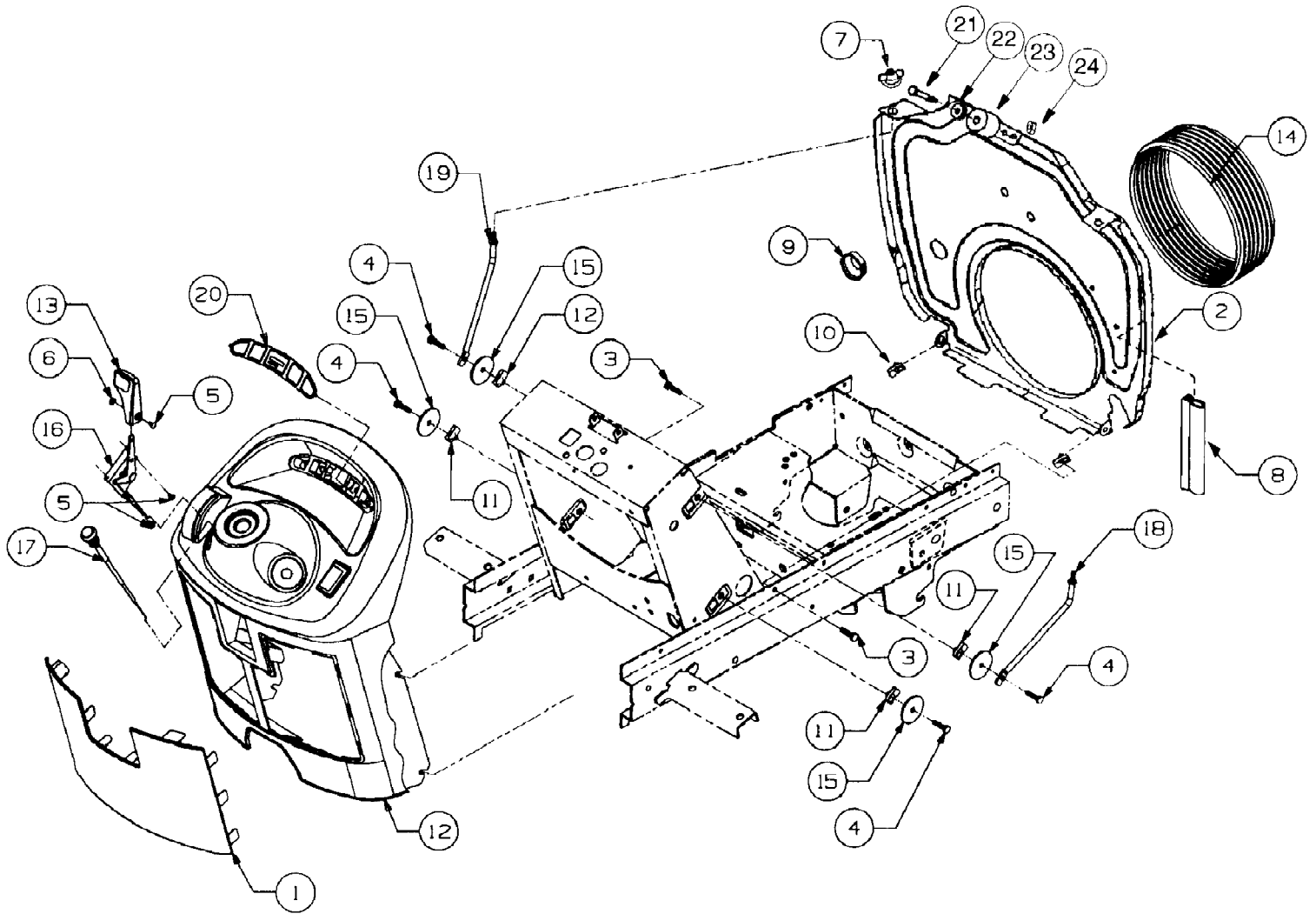
Page 19 of 84

Ref #	Part Number	Qty	S/P/F	Description
1	603-0321A	1		Shaft Assy, Brake
2	603-0412	1		Pedal Assy, Reverse
3	603-0413	1		Shaft Assy, Forward/Reverse (Mfg Date 1308 and Before)
	603-0697	1		Shaft Assy, Forward/Reverse (Mfg Date J018 and After)
4	603-0419	1		Cam Assy, Control
5	603-0421	1	S	Plate Assy, Disengagement
6	703-2570A-0498	1	S	Pedal, Forward
7	703-2573A-0498	1	S	Pedal, Brake
8	703-2804	2		Plate, Bearing Mounting
9	703-2938	1		Bracket, Reverse Pivot
10	703-2941	1		Bracket, Cruise
11	703-2942	1		Plate, Rod Adjustment
12	703-2962	1		Lever, Cruise
13	703-2963	1	S	Lever, Brake Lock
14	703-2965	1	S	Actuator, Reverse Switch
15	710-0106	1	/P	Screw, Hex Cap, 1/4-20 x 1.25
16	710-0599	1	/P	Screw, Hex Wshr Tap 1/4-20 x .5
17	710-0623	2	/P	Screw, Hex Wshr Tap 3/8-16 x .75
18	710-0642	6	/P	Screw, Hex Wshr Tap 1/4-20 x .75
19	710-0796	1	/P	Screw, Truss Mach, #12 x 1.5
20	710-0216	2	/P	Screw, Hex Cap, 3/8-16 x .75 GR5
21	710-3009	2	/P	Screw, Phil Hd Pan, #10-24 x .75
22	711-0415	1	S	Pin, Clevis, 3/8 x 1.62
23	711-0736	1	/P	Ferrule, Adjustment, 1/4-20 Thrd
24	711-1138	1		Stud, Actuator
25	711-3295	1	S	Pin, Clevis, .25 x 2.38 Lg
26	712-0271	1	/P	Nut, Hex Sems, 1/4-20
27	712-0431	3	S	Nut, Hex Flange Lock, 3/8-16
28	712-3004A	1	/P	Nut, Hex Flange Lock, 5/16-18
29	712-3027	1	S	Nut, Hex Flange Lock, 1/4-20
30	714-0104	9	S	Pin, Int Cotter, 5/16 Dia x 1.12 Lg
31	714-0145	6	S	Pin, Int Cotter, 3/8 Dia x 1.62
32	715-0114	1	S	Pin, Spiral Spring, 1/4 x 1.5
33	731-3205	1	S	Pedal, Reverse
34	731-3206	1		Knob, Cruise
35	731-3207	1		Knob, Brake Lock
36	732-0418	1		Spring Extension .38 OD x 2.1
37	732-0463	1	S	Spring, Extension
38	732-0756A	1	S	Spring, Torsion
39	732-0824	1	S	Spring, Ext, .437 OD x 1.32
40	732-3099	1		Spring, Compression, .50 x 2.23
41	732-3117	1		Spring, Switch Actuator
42	735-3048	1		Pad, Forward Foot Control
43	735-3049	1	S	Pad, Brake Foot
44	736-0174	1	/P	Washer, Wave, .625 x .885 x .015
45	736-0349	1	S	Washer, Flat, .635 x 1.0 x .020
46	736-0463	1	S	Washer, Flat, 1/4 x .63 x .051
47	738-0145	1	S	Shoulder Bolt, .50 OD x .840
48	741-3065A	4	S	Bearing, Hex Flange Split
49	741-3073	2	S	Bearing, Flange, .375 x .58 x .25

2135 Tractor S/N 326,006 & Up  
 Brake And Control Pedals Serial Number 359,001 And Above

Ref #	Part Number	Qty	S/P/F	Description
50	741-3074	3		Bearing, Flange, .626 x .93 x .344
51	747-3216	1		Rod, Brake
52	747-3219	1		Rod, Parking Brake
53	747-3299	1		Rod, Connecting (Mfg Date E067 and Before Replace by Ordering 759-3935)
54	747-3307	1		Rod, Cruise
55	748-3060	1		Latch, Cruise
56	618-3060	1	S	Plate, Brake
57	703-2191	1		Arm, Brake
58	710-3262	1		Screw, Low Hd Cap, 3/8-16 x .75
59	732-0152	1		Spring, Compression
60	732-3077	1		Spring, Brake
61	761-3019	1		Drum, Brake
62	761-3020	1	S	Shoe, Brake
63	761-3028	1		Actuator, Brake Shoe
64	747-3341	1	S	Rod, Rear Connecting (Mfg Date E077 to 1308)
	747-3341A	1	/P	Rod, Rear Connecting (Mfg Date J018 and After)
65	747-3344	1	S	Rod, Front Connecting (Mfg Date E077 to J018, Replace by Ordering 759-3935)
	747-3383	1	/P	Rod, Front Connecting (Mfg Date J018 and After)
	759-3935	1	/P	Kit (Consists of 747-3341A, 747-3383 & 710-0642 (2))

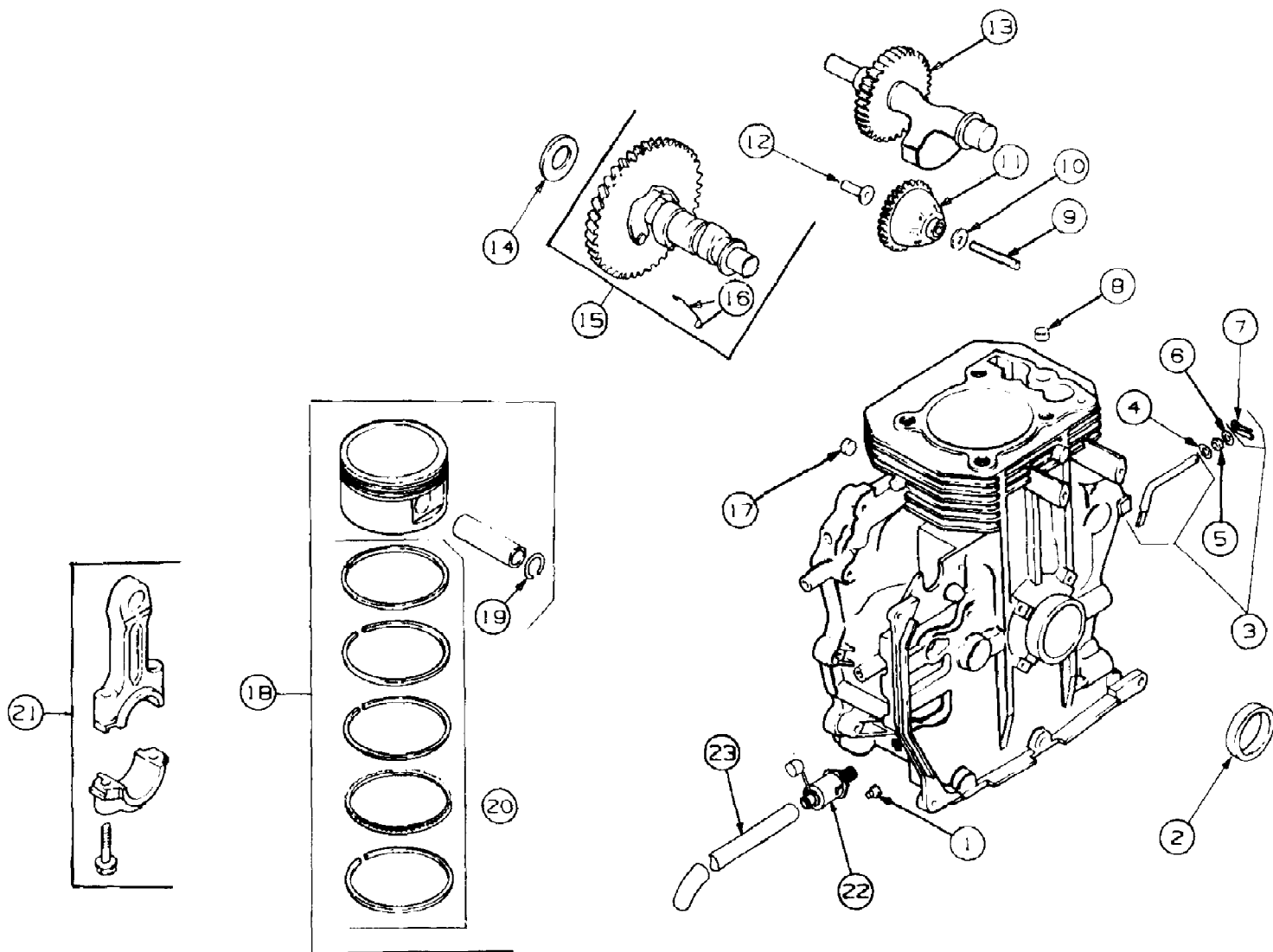




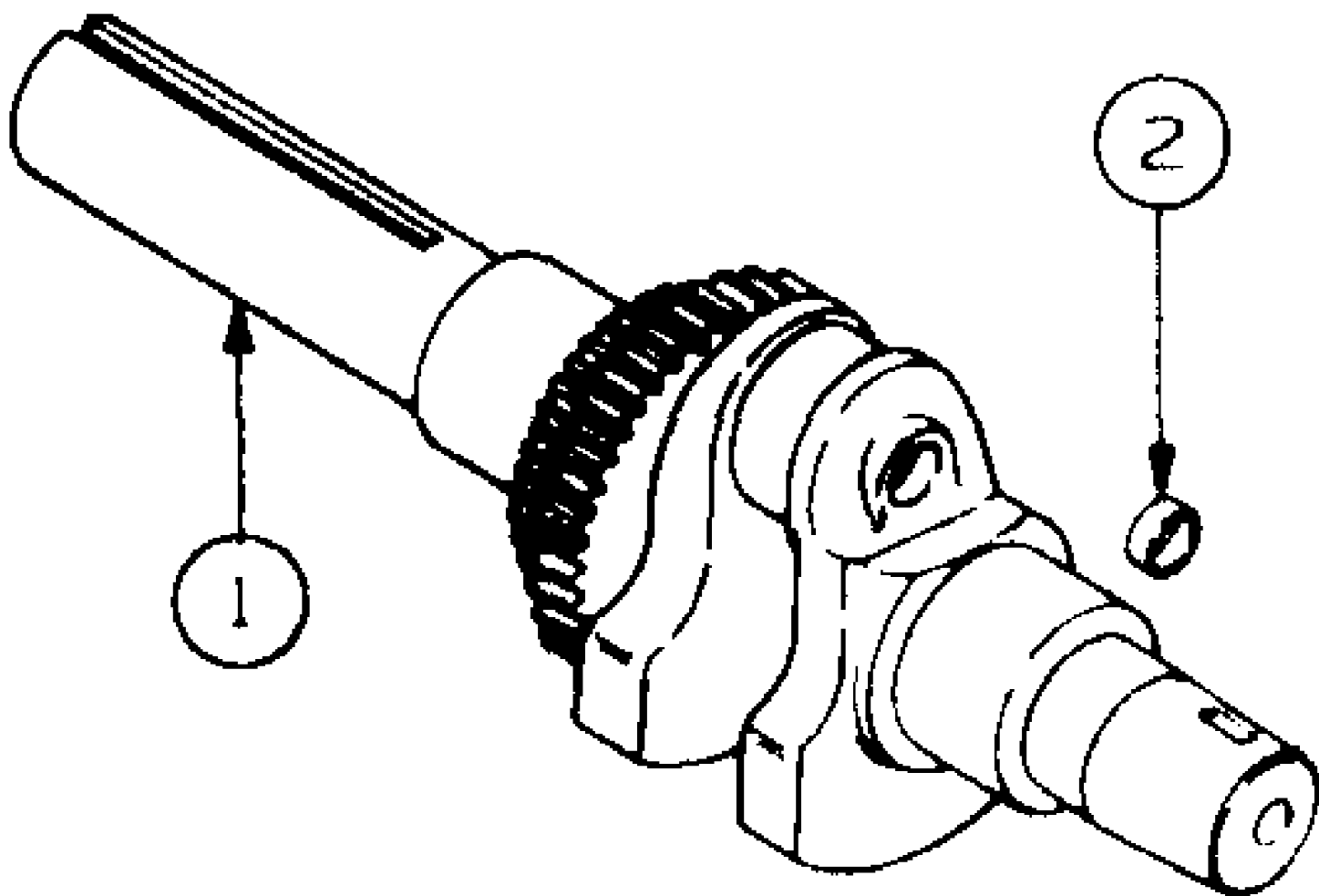
2135 Tractor S/N 326,006 & Up  
Bulkhead, Dash Panel and Engine Controls

Page 22 of 84

Ref #	Part Number	Qty	S/P/F	Description
1	703-2557	1	S	Screen, Intake Dash
2	703-2562B	1		Bulkhead, Lower (Mfg Date Prior to H017)
	703-3108	1	S	Bulkhead, Lower (Mfg Date H017 and After; Replaces 703-2562B by Also Ordering Ref. # 21-24 and P/N 732-0855)
3	710-0751	2	/P	Screw, Hex Cap, 1/4-20 x .625 GR5
4	710-0597	4	/P	Screw, Hex Cap, 1/4-20 x 1.0
5	710-3217	3	/P	Screw, Cross Rec Truss Hd, #8-32 x.38
6	712-0142	1	/P	Nut, #8-32
7	712-0397	2	S	Nut, Wing w/Bell Washer, 1/4-20
8	720-3024	1	S	Seal, Push On Trim
9	723-3042	1	/P	Bushing, Snap, 7/8 ID
10	726-3048	2		Nut, U-Type Speed, 1/4-20
11	726-3054	4		Nut, U-Clip, 1/4-20
12	731-3137	1	S	Panel Dash
	777-1703	1	S	Graphic, Ignition Switch (S/N 359000 and Below)
	731-3137A	1	/P	Panel, Dash
	777120306	1		Graphic, Ignition Switch (S/N 359001 and Above)
13	731-3161	1	S	Knob, Throttle
14	731-3166	1		Boot, Intake
15	736-3128	4		Washer, Flat, .285 x 1.75 x .10
16	746-3035	1	/P	Control, Throttle
17	746-3051	1	S	Control, Choke
18	747-3226	1		Rod, RH Mounting
19	747-3227	1		Rod, LH Mounting
20	777120312	1		Label, Dash
21	710-0136	1	/P	Screw, Hex Cap, 1/4-20 x 1.75 GR5 (Mfg Date H017 and After)
22	736-0342	1		Washer, Flat, .283 x .75 x .030 (Mfg Date H017 and After)
23	731-3232	1		Roller, Hood Latch (Mfg Date H017 and After)
24	712-0271	1	/P	Nut, Hex Sems, 1/4-20 (Mfg Date H017 and After)



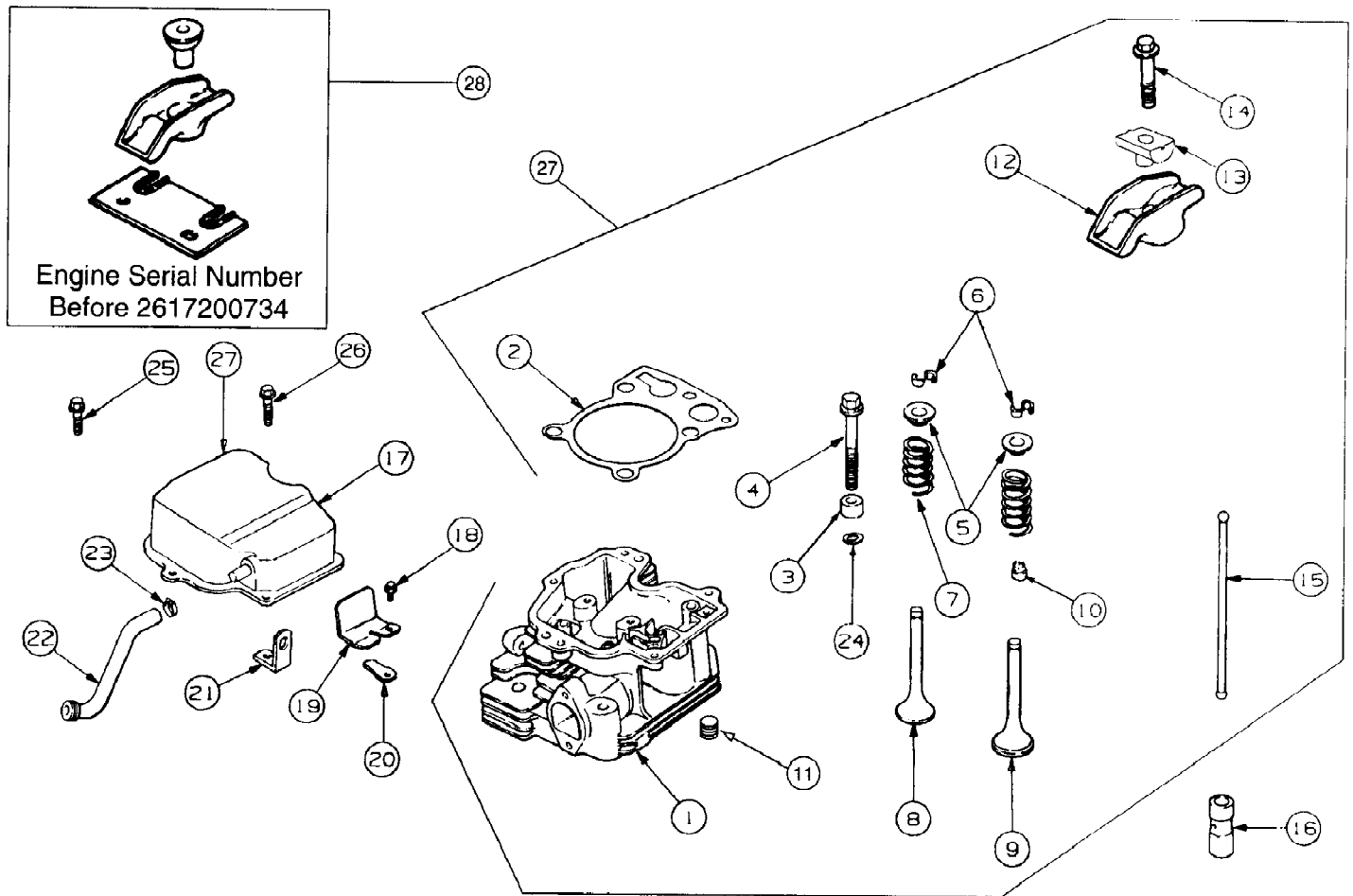
Ref #	Part Number	Qty	S/P/F	Description
1	KH-X-75-10	2	S	Plug, Solid Sq. Head, 3/8 NPTF
2	KH-12-032-03	1	/P	Seal, Crankshaft
3	KH-12-755-64	1	/P	Kit, Gov Cross Shaft (Incl. Ref #7)
4	KH-M-631015	1	/P	Washer, Governor Shaft
5	KH-12-032-01	1		Seal, Governor Cross Shaft
6	KH-X-25-102	1	S	Washer, Plain, 1/4
7	KH-12-380-04	1		Pin, Governor Hitch (Engine Spec No 22508)
	KH-12-154-05	1		Pin, Governor Hitch (Engine Spec No 22531)
8	KH-12-380-03	4	S	Dowel, Locating (Engine Spec No 22508)
	KH-12-380-17	4	S	Dowel, Locating (Engine Spec No 22531)
9	KH-12-144-02	1		Shaft, Governor Gear
10	KH-M-631005	1	/P	Washer, Governor Gear Thrust
11	KH-12-043-05	1	/P	Gear, Governor Assy
12	KH-12-380-01	1	/P	Pin, Governor Regulating
13	KH-12-144-26	1	/P	Shaft, Balance
14	KH-12-422-07	AR	S	Shim, Camshaft, .0280
	KH-12-422-08	AR	S	Shim, Camshaft, .0300
	KH-12-422-09	AR	S	Shim, Camshaft, .0320
	KH-12-422-10	AR	S	Shim, Camshaft, .0340
	KH-12-422-11	AR	S	Shim, Camshaft, .0360
	KH-12-422-12	AR	S	Shim, Camshaft, .0380
	KH-12-422-13	AR	S	Shim, Camshaft, .0400
15	KH-12-010-21	1	S	Camshaft Assy, (Includes Ref #16)
16	KH-12-089-18	1	S	Spring, Actuating (Engine Spec No 22508)
	KH-12-089-31	1	S	Spring, Actuating (Engine Spec No 22531)
17	KH-52-139-09	1	S	Plug, Cup
18	KH-12-874-01	1		Piston w/Ring Set, Std
	KH-12-874-10	1		Piston w/Ring Set, .08mm O.S.
	KH-12-874-02	1		Piston w/Ring Set, .25mm O.S.
	KH-12-874-03	1		Piston w/Ring Set, .50mm O.S.
19	KH-12-018-02	2		Retainer, Piston Pin
20	KH-12-108-01	1		Ring Set, Std.
	KH-12-108-02	1		Ring Set, .25mm
	KH-12-108-03	1		Ring Set, .50mm
21	KH-12-067-05	1	/P	Rod, Connecting, Std
	KH-12-067-06	1	/P	Rod, Connecting, .25mm
22	751-3140	1	S	Drain, Oil
	751-3142	1		Cap
23	751-3141-12	1	S	Hose, Oil Drain
	KH-12-755-82	1	S	Gasket Set
	KH-22508	1		Engine Complete (Mfg Date Before H318)
	KH-22531	1		Engine Complete (Mfg Date After I018)
	KH-12-522-30	1		Short Block



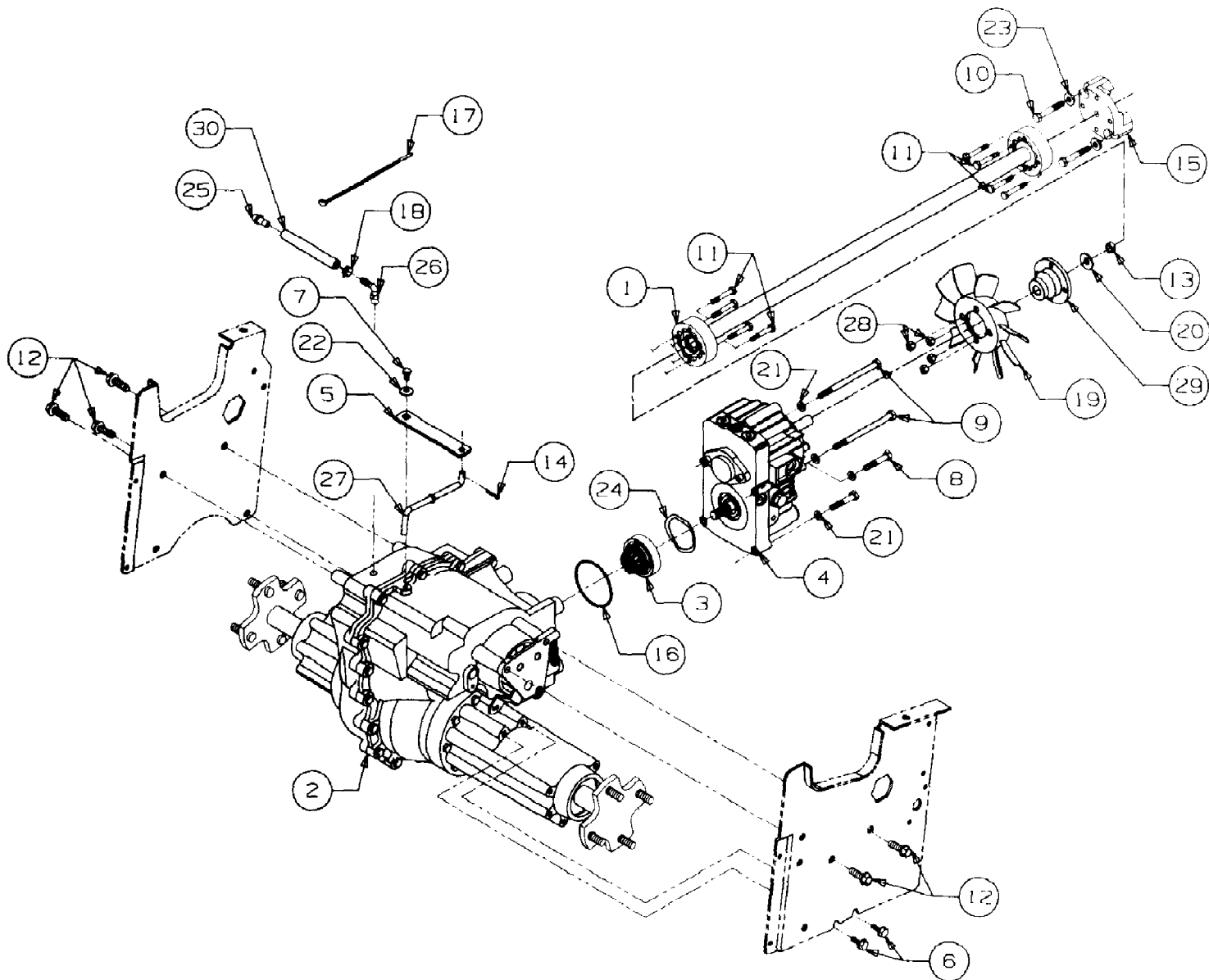
2135 Tractor S/N 326,006 & Up  
Crankshaft

Ref #	Part Number	Qty	S/P/F	Description
1	KH-12-014-37	1	S	Crankshaft (Includes Ref No 2)
2	KH-12-139-01	1		Plug, Cup

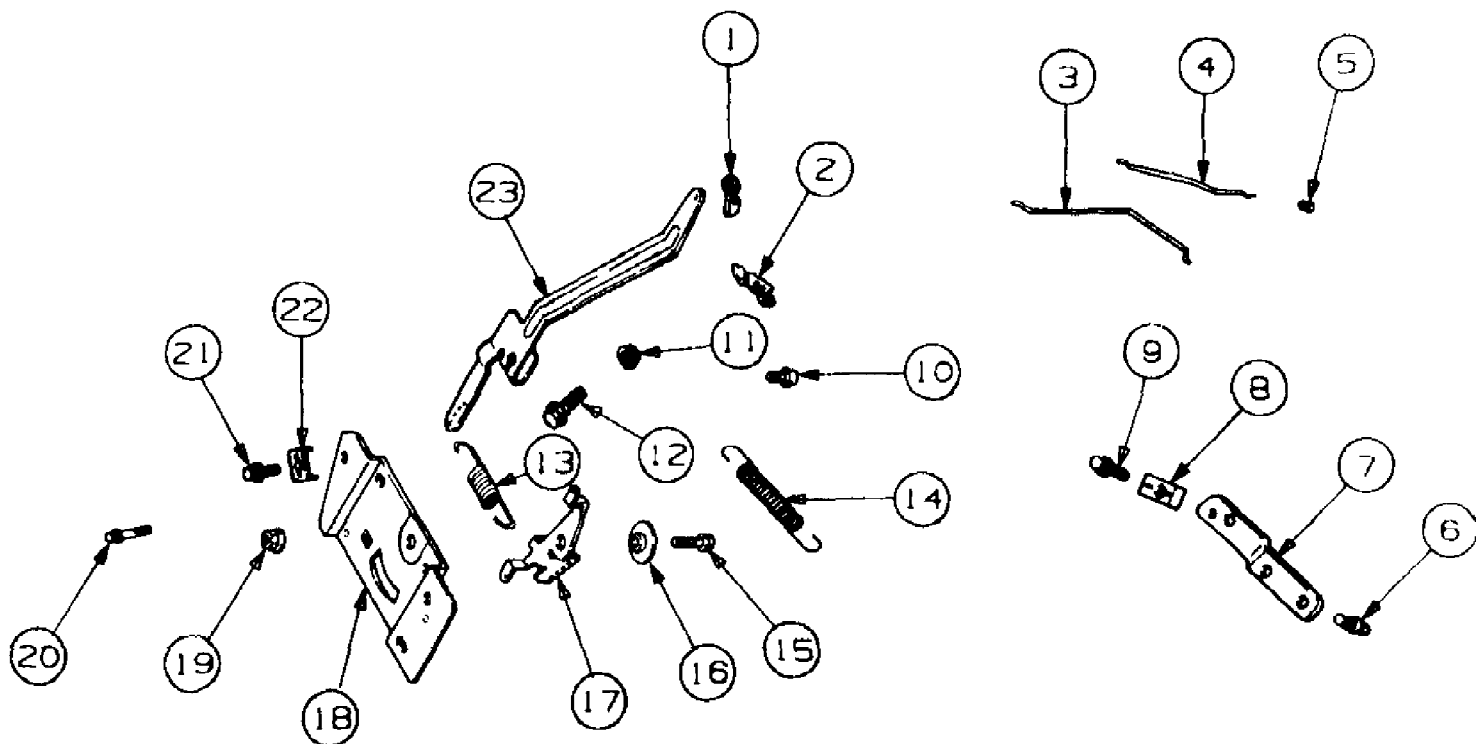




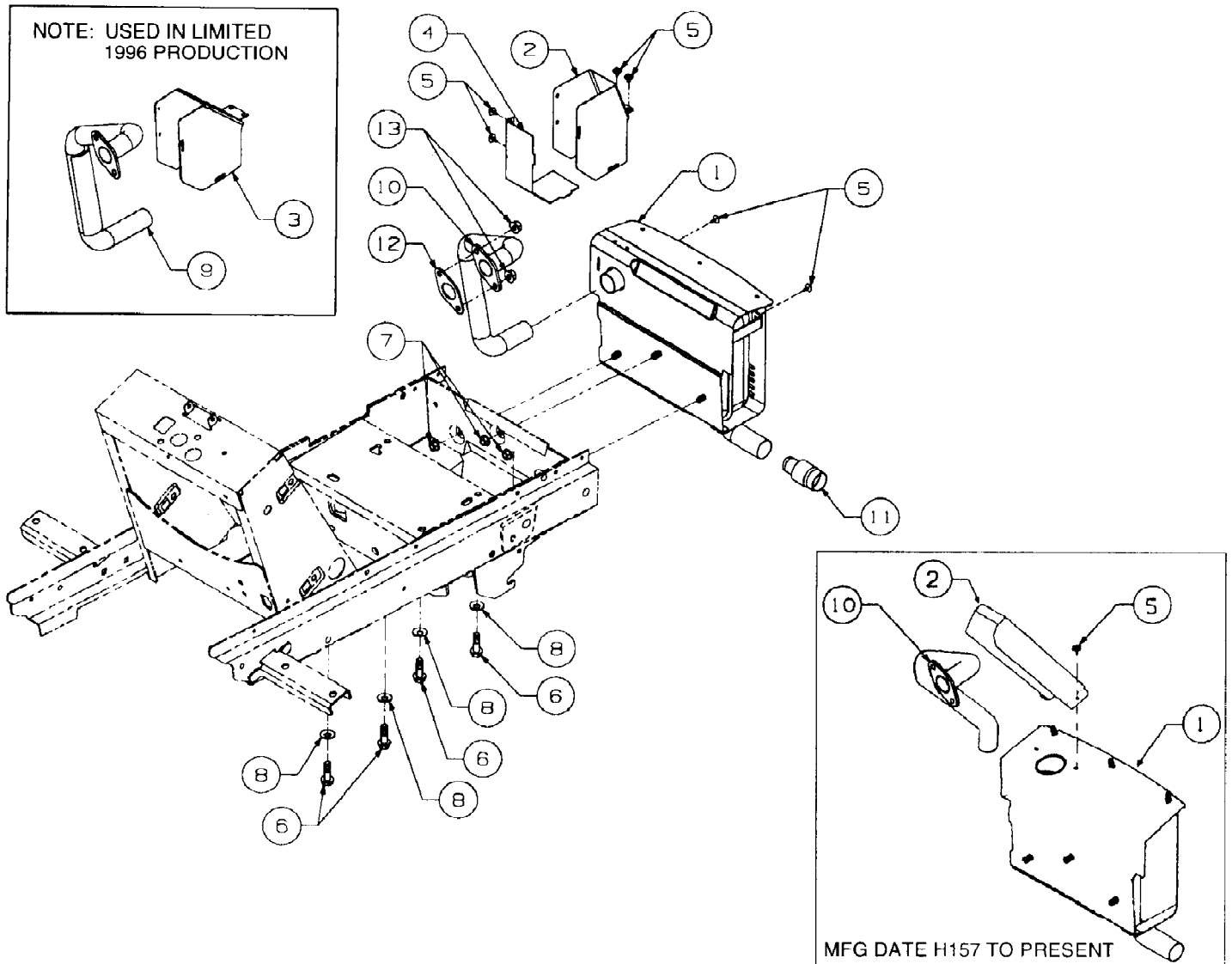
Ref #	Part Number	Qty	S/P/F	Description
1	KH-12-318-06	1	S	Cylinder Head (Engine Spec No 22508)
1	KH-12-318-19	1	/P	Cylinder Head (Engine Spec No 22531)
2	KH-12-041-08	1	S	Gasket, Cylinder Head
3	KH-12-112-13	1		Spacer, Head Bolt, Exhaust Port
4	KH-12-086-15	5	S	Screw, Cylinder Head, M10 x 1.5 x 81
5	KH-12-173-01	2	/P	Cap, Valve Spring
6	KH-12-755-03	2	/P	Kit, Retainer
7	KH-12-089-01	2	S	Spring, Valve
8	KH-12-016-01	1		Valve, Exhaust, Std
	KH-12-016-02	1		Valve, Exhaust, .25
9	KH-12-017-01	1		Valve, Intake, Std
	KH-12-017-02	1		Valve, Intake, .25
10	KH-24-032-05	2	S	Seal, Valve Stem
11	KH-X-75-23	1	S	Plug, Allen Hd. 1/8" Pipe (Engine Spec No 22531)
12	KH-25-186-01	2	/P	Arm, Rocker
13	KH-12-599-03	2		Pivot, Rocker Arm
14	KH-M-0640034	2	/P	Screw, Pivot Rocker, M6 x 1.0 x 34
15	KH-12-411-01	2	S	Rod Push
16	KH-25-351-01	2	S	Lifter, Valve
17	KH-12-096-12	1	S	Cover, Valve w/Nipple (Engine Spec No 22508)
	KH-12-096-07	1	S	Cover, Valve w/Nipple (Engine Spec No 22531)
18	KH-M-0545010	1	/P	Screw, Brthr Reed Ret, M5 x .8 x 10
19	KH-12-018-03	1		Retainer, Breather Reed
20	KH-12-402-02	1		Reed, Breather
21	KH-12-445-05	1		Strap, Lifting
22	KH-12-326-09	1	S	Hose, Breather
23	KH-X-426-9	1	S	Clamp, Hose
24	KH-12-468-05	1		Washer, Flat
25	KH-M-0645020	4	S	Screw, Hex Flange, M6 x 1.0 x 20
26	KH-M-0645025	1	S	Screw, Valve Cover, M6 x 1.0 x 25
27	KH-12-755-81	1	/P	Kit, Cylinder Head (Includes 6-15, 24, KH-12-041-01 (2), KH-12-041-02, and KH-12-041-03.)
28	KH-12-755-74	1	/P	Upgrade to Current Rocker Arm Assy (Order P/N KH-12-755-74 which Includes Ref Nos. 12 & 13)
	KH-12-113-69	1		Graphic, OHV Engine (Not Shown)
	KH-12-041-03	1	/P	GASKET-EXHAUST
	KH-12-041-02	1	/P	GASKET-A/C BASE
	KH-12-041-01	1	/P	GASKET-CARBURETOR



Ref #	Part Number	Qty	S/P/F	Description
1	603-0191	1	/P	Shaft Assy, Drive, 27.87 Lg
	759-3764	2	/P	Kit, Drive Barrel
2	618-3085A	1	S	Transmission Assembly, Hydro, (For components see separate breakdown for Transmission)
3	618-3088	1		Pinion Assy, Input
4	618-3111	1	S	Pump, Hydrostatic (For components see separate parts breakdown for hydrostatic pump)
5	703-2568	1		Arm, Hydro Dump
6	710-1260	2	S	Screw, Hex Wash Hd Tap, 5/16-18 x .75
7	710-0642	1	/P	Screw, Hex Wash Hd Tap, 1/4-20 x .75 GR5
8	710-3180	2	/P	Screw, Hex Cap, 5/16-18 x 1.75 GR5
9	710-3195	2		Screw, Hex Cap, 5/16-18 x 4.5 GR5
10	KH-24-086-16	2	S	Screw, Hex Patch, M10-1.5 x 90mm (Same as 710-3258)
11	710-3288	8		Screw, Hex Patch, 1/4-20 x 1.62 GR5
12	710-3290	5		Screw, Hex Wash Hd Tap, 3/8-16 x 1.25
13	712-0262	1	/P	Nut, Hex Center Lock Jam, 3/8-24
14	714-0104	1	S	Pin, Internal Cotter, 5/16 Dia x 1.12
15	719-3096	1	/P	Adapter, Drive Shaft
16	721-0261	1		O-Ring, 2.75 x .103
17	725-0157	1	/P	Tie, Self-Clinch Cable
18	726-0205	1	/P	Clamp, Hose
19	731-3095	1	S	Fan, 10 Blade Cooling
20	736-0105	1	/P	Washer, Bell, .380 x .88 x .063
21	736-0119	4	S	Washer, Lock, 5/16
22	736-0270	1	/P	Washer, Bell, .265 x .75 x .062
23	736-3008	2	S	Washer, Flat, .312 x .750 x .119
24	736-3099	1	S	Washer, Spring Wave, 1.96 x 2.44 x .06
25	737-0296	1	/P	Vent
26	737-0299	1		Fitting, Elbow
27	747-3228	1		Rod, Hydro Disengagement
28	748-3037	4	S	Nut, Fan, 1/4-20
29	748-3052	1		Adapter, Pump
30	759-3330	1	/P	Line, Fuel, 7 in. Lg, (Order Bulk Fuel Line Part No. 759-3330, 10 Ft. Lg)

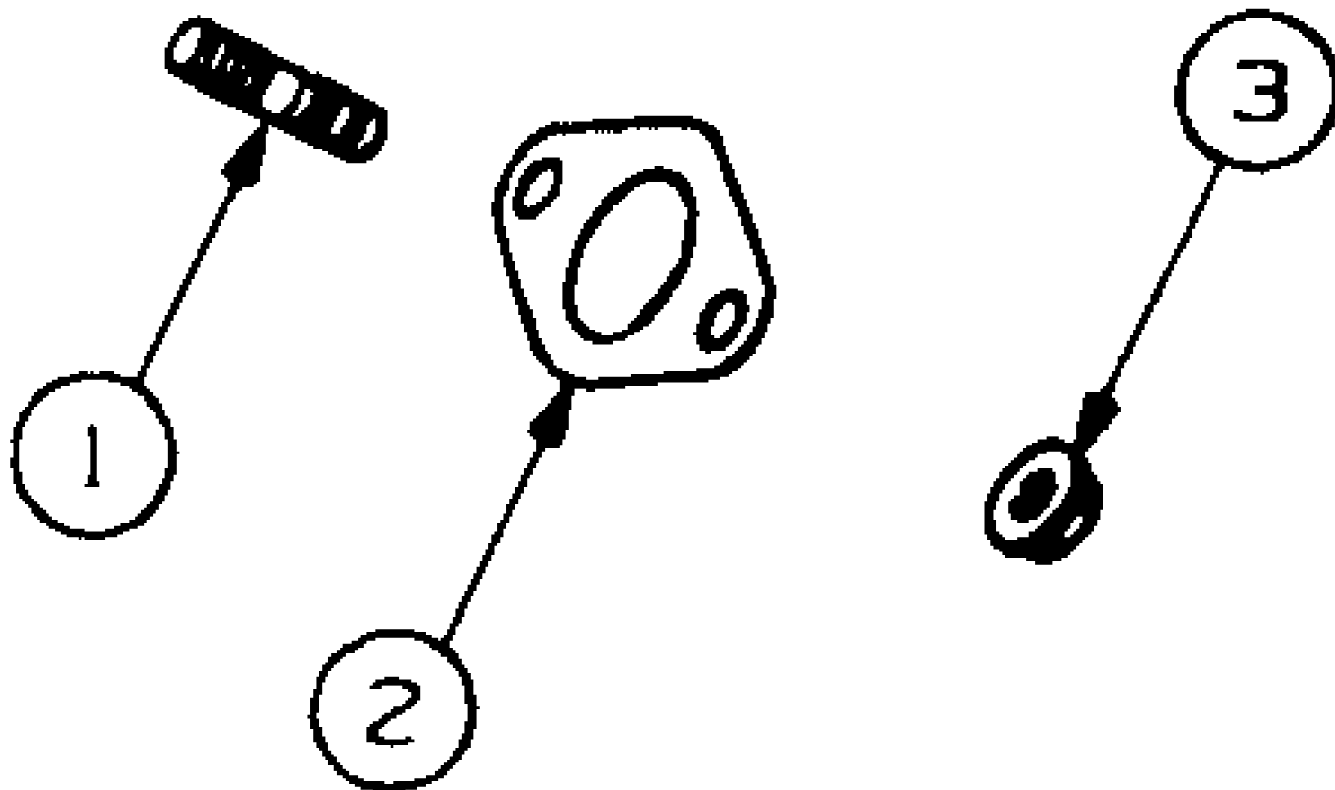


Ref #	Part Number	Qty	S/P/F	Description
1	KH-25-158-11	1	/P	Bushing, Throttle
2	KH-12-090-14	1		Lever, Choke, Upper
3	KH-12-079-08	1	/P	Linkage, Choke, Upper
4	KH-12-079-04	1		Linkage, Throttle
5	KH-25-158-08	1	/P	Bushing, Linkage
6	KH-M-0545010	2	/P	Screw, Bracket, M5 x .8 x 10
7	KH-12-126-15	1		Bracket, Choke Mount
8	KH-12-237-01	1		Clamp, Cable
9	KH-M-0545016	1	S	Screw, Clamp, M5 x .8 x 16
10	KH-M-0545010	1	/P	Screw, M5 x .8 x 10
11	KH-M-0641060	1	S	Nut, M6x1
12	KH-M-0642025	1	S	Screw, Governor Arm, M6 x 1 x 25
13	KH-12-089-17	1		Spring, Governor
14	KH-230117	1		Spring, Linkage
15	KH-M-0545016	1	S	Screw, Throttle Cntrl, M5 x .8 x 16
16	KH-12-112-07	1		Spacer, Throttle Control
17	KH-12-090-13	1		Lever, Throttle Control
18	KH-12-146-05	1		Plate, Control
19	KH-M-0541050	1		Nut, Hex, M5 x .8
20	KH-M-0645016	2	S	Screw, Control Plate, M6 x 1 x 16 (Used on Engine Spec #22508)
	KH-M-0664020	2		Screw, Control Plate, M6 x 1 x 20 (Used on Engine Spec #22531)
21	KH-M-0545016	2	S	Screw, Cable Clamp, M5 x .8 x 16
22	KH-12-237-01	2		Clamp, Cable
23	KH-12-090-19	1	/P	Lever, Governor

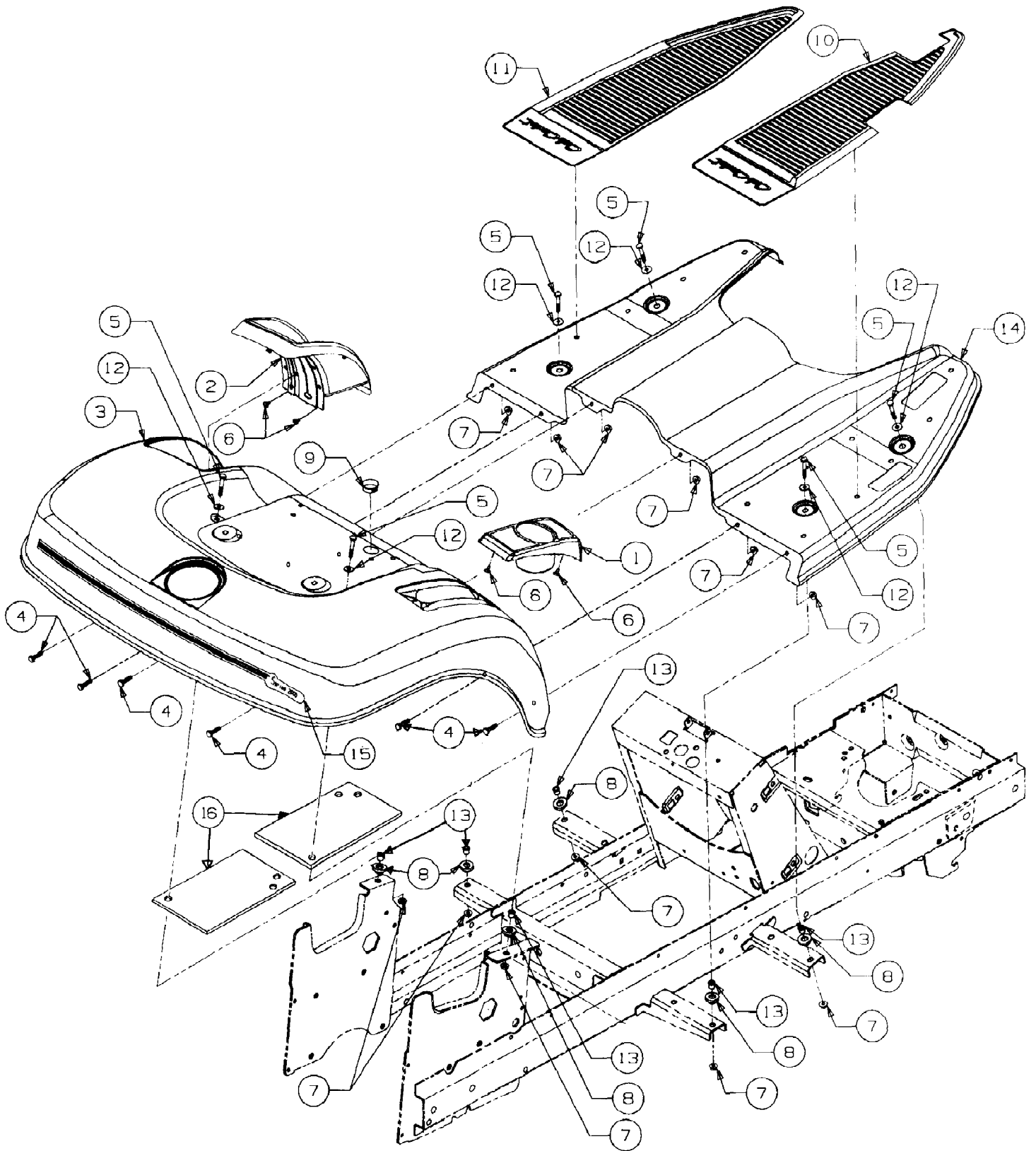




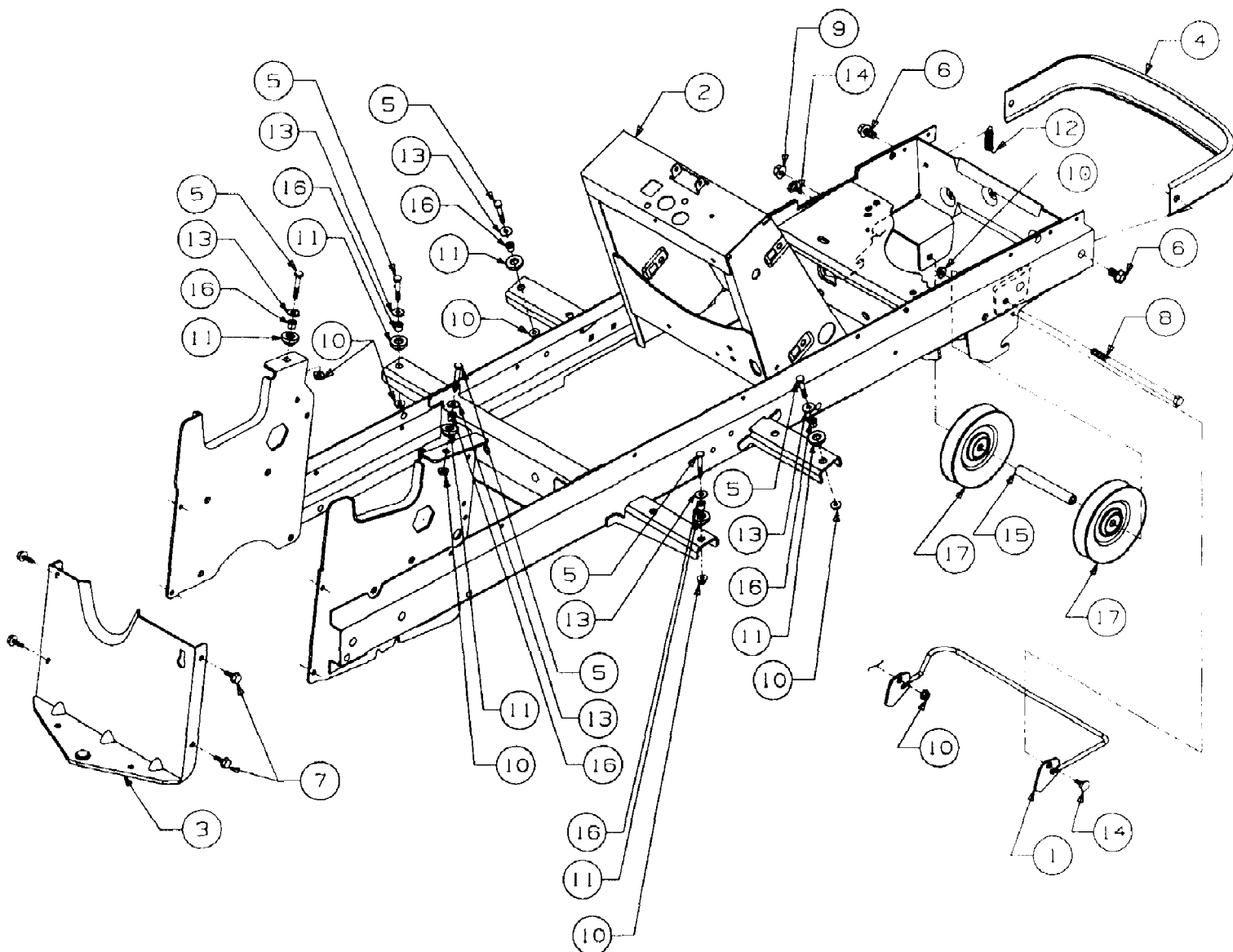
Ref #	Part Number	Qty	S/P/F	Description
1	951-3000A	1		Muffler Assy (Mfg Date Prior to H157)
	951-3001	1	S	Muffler Assy (Mfg Date H157 to Present; Replaces 951-3000A by Ordering Part Number 751-0653 and 703-3099)
2	703-2845	1		Shield, Exh. (Mfg Date Prior to H157)
	703-3099	1	S	Shield, Exh. (Mfg Date H157 to Present)
3	703-2846	1		Shield, Exh (Used w/exh. tube 751-3120)
4	703-2847	1		Shield, Exhaust Tube Rear
5	710-1268	6	/P	Screw, Hex Wash Hd Tapp, #10-16 x .38
6	710-3290	4		Screw, Engine Mounting, 3/8-16 x 1.25
7	712-3004A	3	/P	Nut, Hex Flange Lock, 5/16-18
8	736-0105	4	/P	Washer, Bell, .380 x .88 x .062
9	751-3120	1		Tube, Exhaust, w/Attached Heat Baffle
10	751-3137	1		Tube, Exh. (Mfg Date Prior to H157)
	751-0653	1		Tube, Exh. (Mfg Date H157 to Present)
11	759-3744	1	S	Arrestor, Spark
12	721-0375	1	S	Gasket, Exhaust
13	712-3086	2	/P	Nut, Exhaust, M8 x 1.25



Ref #	Part Number	Qty	S/P/F	Description
1	KH-25-072-04	2	/P	Stud, Exh. Manifold, M8 x 1.25 x 33
2	721-0375	1	S	Gasket, Exhaust Manifold
3	712-3086	2	/P	Nut, Muffler, M8 x 1.25



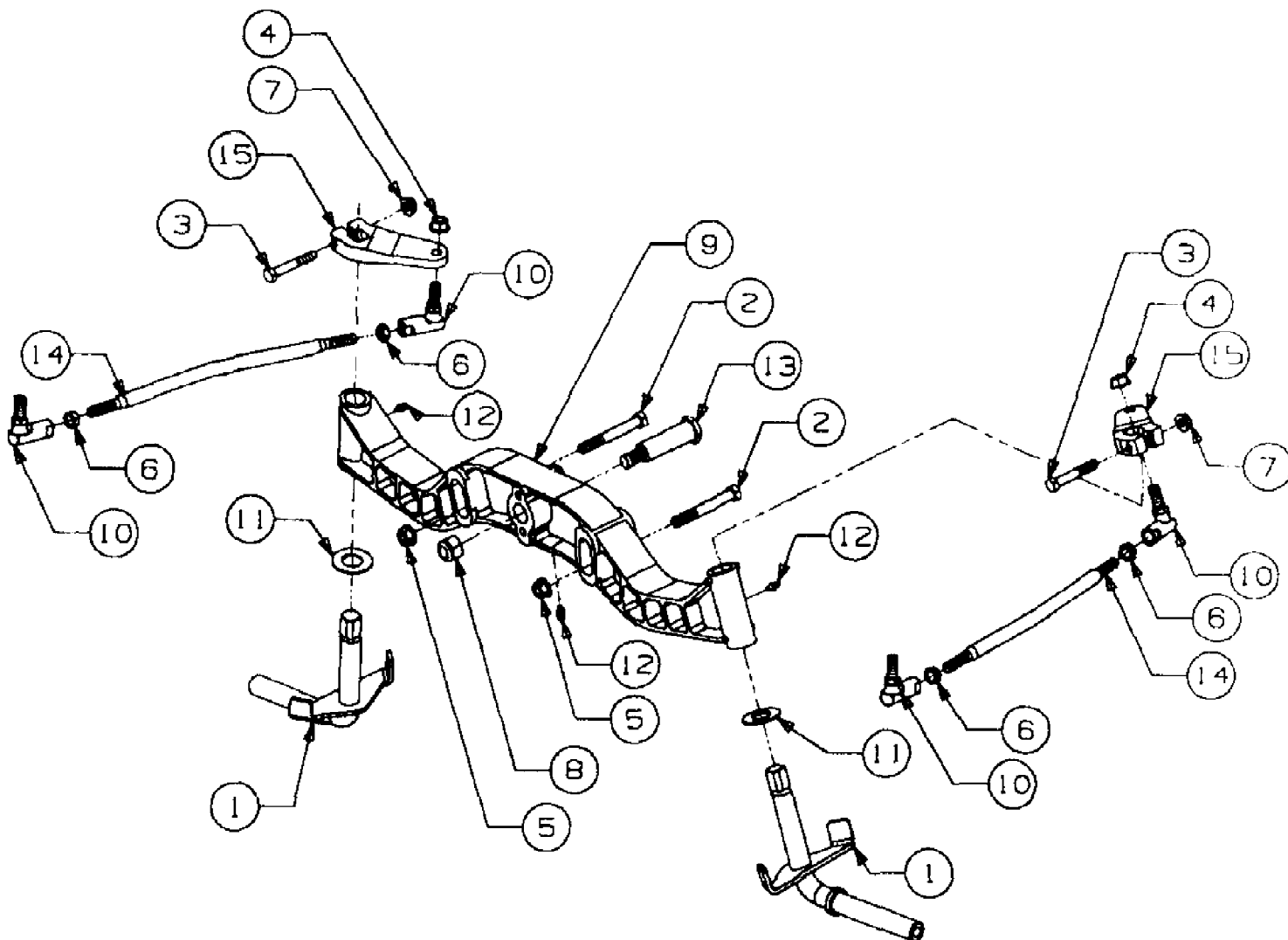
Ref #	Part Number	Qty	S/P/F	Description
1	731-3212	1	S	Cup Holder
2	631-3002	1		Cover, Implement Lift
3	703-2278B-0498	1		Fender
4	710-0751	6	/P	Screw, Hex Cap, 1/4-20 x .62 GR5
5	710-0597	6	/P	Screw, Hex Cap, 1/4-20 x 1.0
6	710-1268	6	/P	Screw, Hex Tapp, #10 x .38 Lg
7	712-3027	12	S	Nut, Hex Flange Lock, 1/4-20
8	722-0258	6	S	Grommet, Insulater
9	723-3042	1	/P	Bushing, Snap, 7/8 ID
10	735-3046A	1	/P	Pad, RH Foot
11	735-3047	1		Pad, LH Foot
12	736-3090	6	/P	Washer, Flat, .255 x .72 x .06
13	750-3169	6	S	Spacer, .28 ID x .40 OD x .42 Lg
14	759-3738-0498	1	S	Running Board w/Graphic
	777S30171	1	/P	Graphic, Warning
15	777D00430	1	S	Graphic, Rear Fender
16	703-2628	2		Bracket, Fender Reinforcement



2135 Tractor S/N 326,006 & Up  
Frame and Drawbar

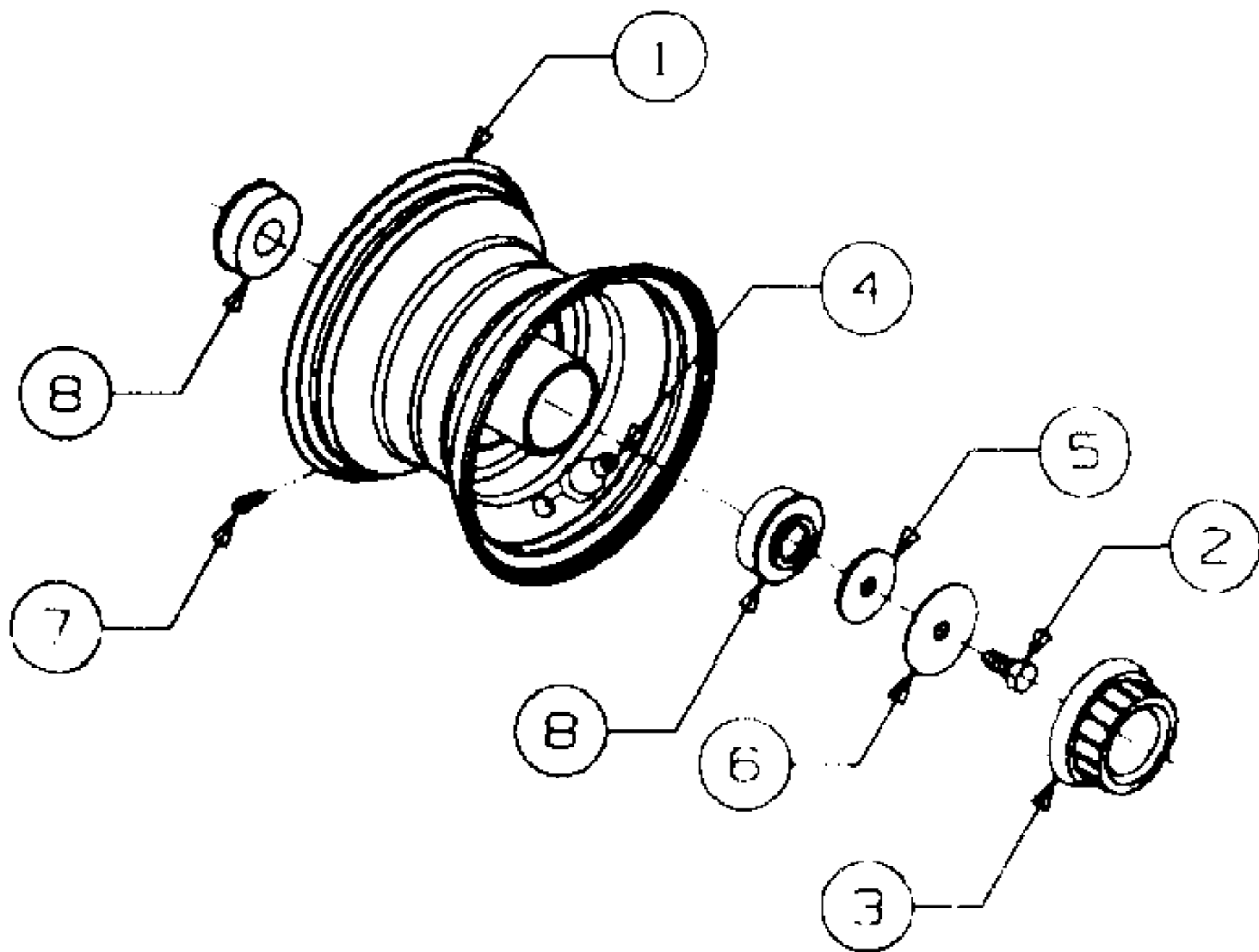
Page 40 of 84

Ref #	Part Number	Qty	S/P/F	Description
1	603-0132-0498	1	S	Rod, Quick Attach
2	603-0328A-0498	1	S	Frame
3	703-2257-0498	1	S	Drawbar
	777I20296	1		Graphic, Trans Release Lever
4	703-2577-0498	1	S	Bumper
5	710-0597	6	/P	Screw, Hex Cap, 1/4-20 x 1.0
6	710-0623	2	/P	Screw, Hex Wash Hd Tap, 3/8-16 x .75
7	710-1260A	4	/P	Screw, Hex Wsh Hd Tap, 5/16-18 x .75
8	710-3261	1		Screw, Hex Cap, 3/8-16 x 7.0
9	712-0431	1	S	Nut, Hex Flanged Lock, 3/8-16
10	712-3027	8	S	Nut, Hex Flange Lock, 1/4-20
11	722-0258	6	S	Grommet, Insulator
12	732-3002	1	S	Spring, Latch
13	736-3090	6	/P	Washer, Flat, .255 x .72 x .60
14	738-0255	2	S	Bolt, Shoulder
15	750-3114	1	S	Spacer, Idler, .407 x .62 x 4.38
16	750-3169	6	S	Spacer, .28 x .40 x .42 Lg
17	756-3045	2	S	Pulley, Idler





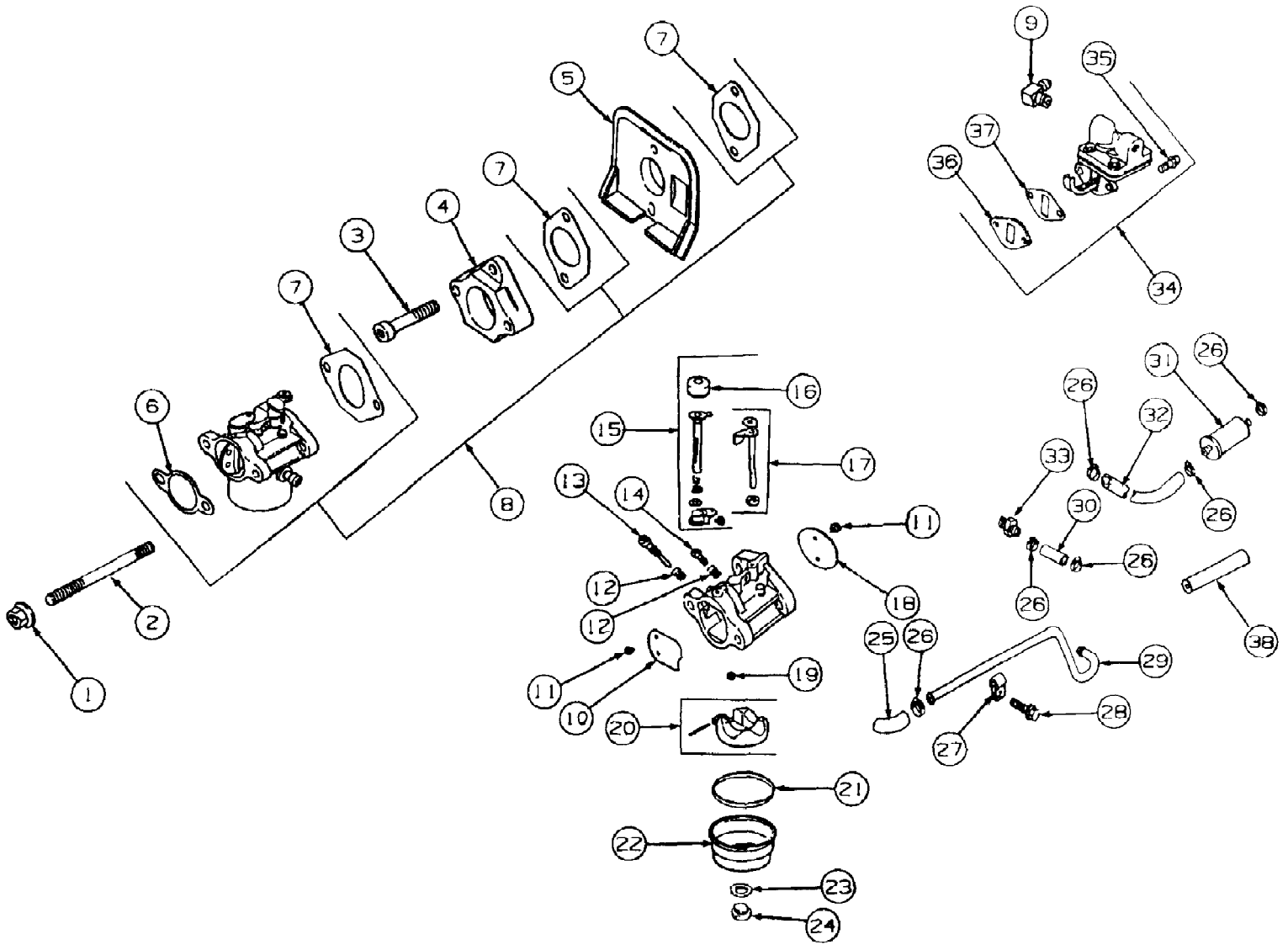
Ref #	Part Number	Qty	S/P/F	Description
1	603-0066	2		Knuckle Assembly, Steering
2	710-3066	2	/P	Screw, Hex Cap, 3/8-16 x 2.75 GR8
3	710-3103	2	/P	Screw, Hex Cap, 5/16-18 x 2 GR5
4	712-3054	2	/P	Nut, Hex Lock, 3/8-24 GR5
5	712-0431	2	S	Nut, Hex Flanged Lock, 3/8-16
6	712-3001	4	S	Nut, Hex Jam, 3/8-24 GR5
7	712-3004A	2	/P	Nut, Hex Flange Top Lock, 5/16-18
8	712-3083	1	/P	Nut, Hex Top Nylon Lock, 1/2-13
9	719-3095	1		Axle, Front Pivot
10	723-0156	4	S	Joint, Ball, 3/8-24
11	736-0188	2	/P	Washer, Flat, .760 x 1.49 x .06 Thk.
12	737-3000	3	S	Fitting, Lube, 3/16 Drive Type
13	738-3110	1	S	Bolt, Pivot Shoulder, 3/4 Dia x 2.23
14	747-3171	2		Rod, Tie
15	748-3049	2		Arm, Steering



2135 Tractor S/N 326,006 & Up  
Front Wheel

Page 44 of 84

Ref #	Part Number	Qty	S/P/F	Description
	734-3103	2	S	Tire, Cub Tread, 15 x 6 x 6 (S/N 359000 & Below)
	734-3186	2	S	Tire, Cub Tread, 15 x 6 x 6 (S/N 359001 & Above)
1	634-3015-0499	2	/P	Rim Assy, Front
2	710-3119	2	/P	Bolt, Hex Patch, 3/8-16 x .75 GR5
3	731-3020	2	S	Cap, Hub
4	734-0255	2	S	Valve, Tubeless Air
5	736-3039	2	S	Washer, Flat, .406 x 1.5 x .110
6	736-3040	2	/P	Washer, Flat, .406 x 1.92 x .06
7	737-0224	2		Fitting, Grease
8	741-3032	4	S	Bearing, Ball

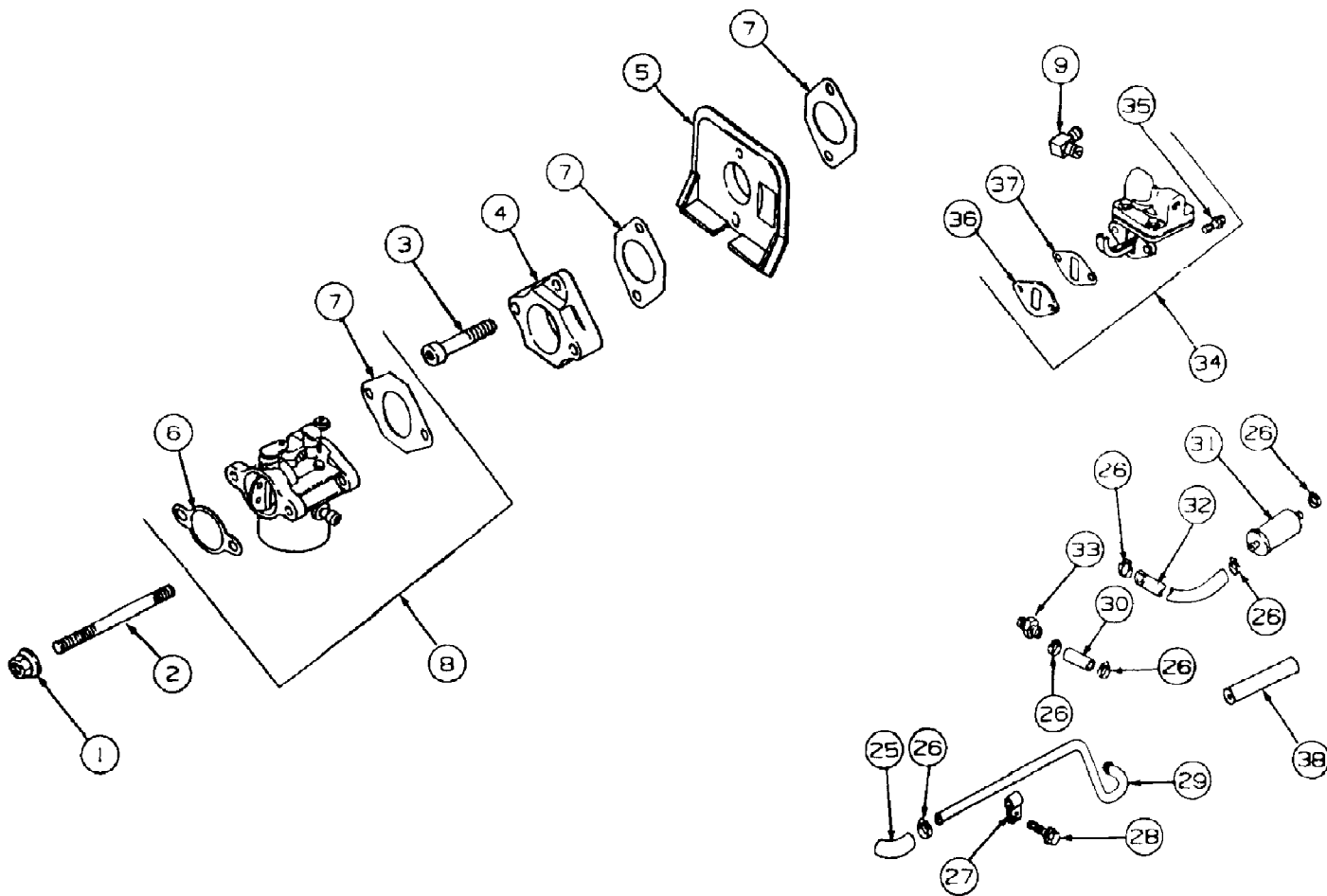


2135 Tractor S/N 326,006 & Up  
Fuel System 22508 Spec.

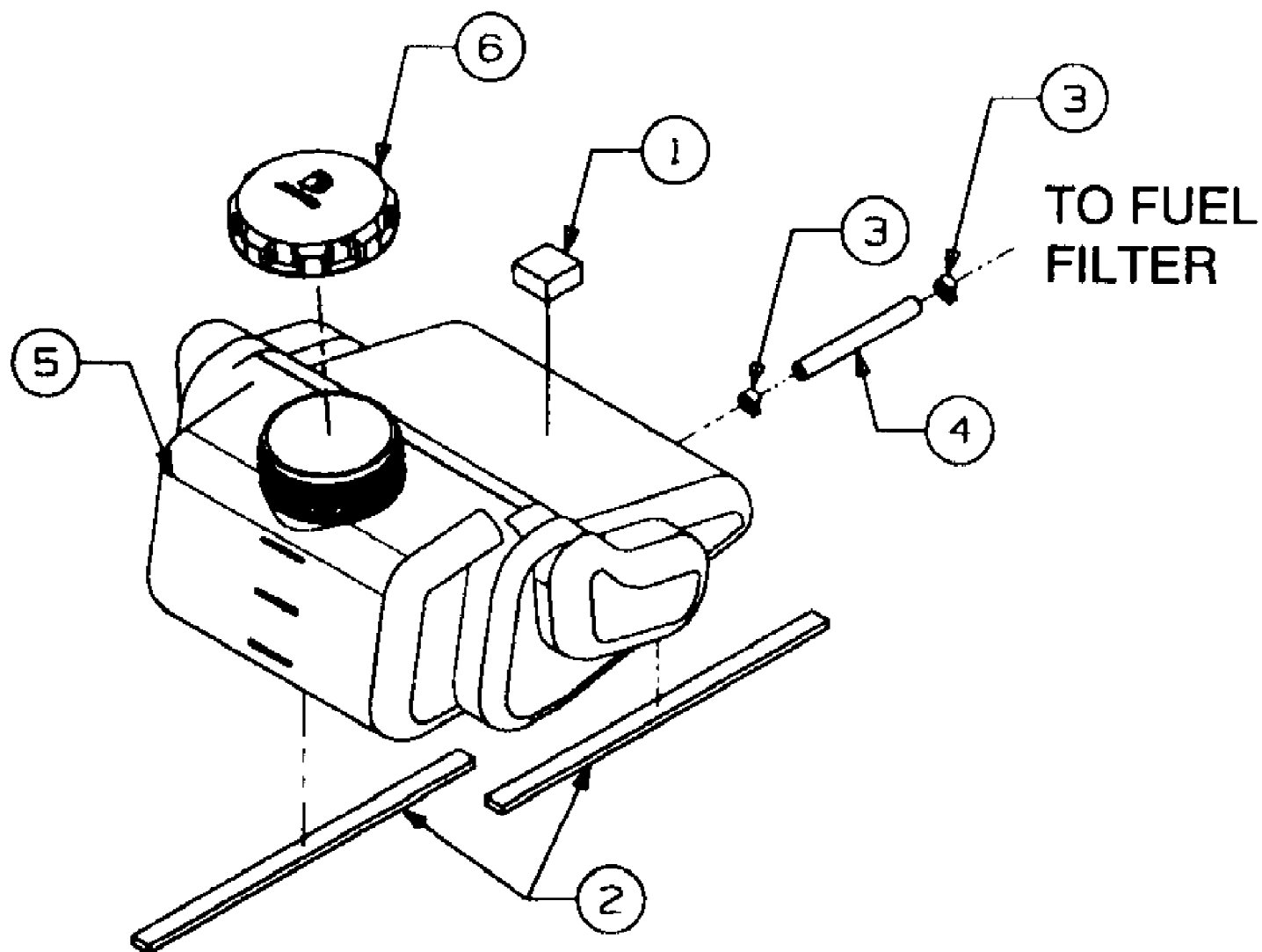
Page 46 of 84

Ref #	Part Number	Qty	S/P/F	Description
1	KH-M-0641060	2	S	Nut, Hex Flange, M6 x 1.0
2	KH-M-0629085	2		Stud, Carburetor, M6 x 1.0 x 116
3	KH-M-0644035	2		Screw, Socket Cap, M6 x 1.0 x 35
4	KH-12-029-04	1		Adapter, Carburetor
5	KH-12-265-04	1	S	Deflector, Heat
6	KH-12-041-02	1	/P	Gasket, Air Filter
7	KH-12-041-01	3	/P	Gasket, Carburetor
8	KH-12-853-80	1	S	Kit, Carb w/Gskts (Includes 6, 7(1))
9	KH-25-155-02	1	/P	Connector, Hose, 90°.
10	KH-12-146-12	1		Plate, Choke
11	KH-25-086-27	4	/P	Screw, Choke & Throttle Plate
12	KH-12-089-09	2		Spring, Idle Fuel & Speed Adj
13	KH-12-368-05	1		Needle, Idle Fuel Adj
14	KH-12-086-04	1		Screw, Idle Speed Adj
15	KH-12-757-08	1	/P	Kit, Choke Shaft Repair (Incl. Ref. 16)
16	KH-12-173-06	1	/P	Cap, Choke Lever
17	KH-12-144-09	1	/P	Shaft, Throttle w/Seal
18	KH-12-146-03	1		Plate Throttle
19	KH-12-337-03	1		Jet, Main
20	KH-12-757-02	1	/P	Kit, Float
21	KH-12-041-05	1	/P	Gasket, Bowl
22	KH-12-104-01	1	/P	Bowl, Fuel
23	KH-12-041-06	1	S	Gasket, Bowl Retaining Screw
24	KH-12-086-05	1	/P	Screw, Bowl Retainer
25	KH-12-353-07	1	S	Line, 90° Fuel
26	KH-X-426-9	6	S	Clamp, Fuel Line
27	KH-X-728-1	1		Clip, Tube
28	KH-M-0545010	1	/P	Screw, Hex Flange, M5 x .8 x 10
29	KH-12-353-11	1	/P	Line, Metal Fuel
30	KH-12-353-01	1	S	Line, Fuel, 1 1/4
31	KH-24-050-02	1	S	Filter, Fuel
32	KH-25-353-08	1	S	Line, Fuel, 5"
33	KH-X-380-1	1	S	Connector, Straight Hose
34	KH-12-559-01	1	S	Kit, Fuel Pump (Incl. 35-37)
35	KH-M-0645020	2	S	Screw, Hex Flange, M6 x 1 x 20
36	KH-12-112-05	1		Spacer, Fuel Pump
37	KH-25-041-09	2	S	Gasket, Fuel Pump
38	723-3066-24	1	/P	Insulation Fuel Line

2135 Tractor S/N 326,006 & Up  
Fuel System 22531 Spec.



Ref #	Part Number	Qty	S/P/F	Description
1	KH-M-0641060	2	S	Nut, Hex Flange, M6 x 1.0
2	KH-M-0629116	2		Stud, Carburetor, M6 x 1.0 x 116
3	KH-M-0644035	2		Screw, Socket Cap, M6 x 1.0 x 35
4	KH-12-029-04	1		Adapter, Carburetor
5	KH-12-265-04	1	S	Deflector, Heat
6	KH-12-041-02	1	/P	Gasket, Air Filter
7	KH-12-041-01	3	/P	Gasket, Carburetor
8	KH-12-853-93	1	/P	Kit, Carb w/Gskts (Includes 6, 7(1), KH-12-454-01 (Wire Tie) and KH-25-452-20 (Terminal))
9	KH-25-155-02	1	/P	Connector, Hose, 90°.
25	KH-12-353-07	1	S	Line, 90° Fuel
26	KH-X-426-9	6	S	Clamp, Fuel Line
27	KH-X-728-1	1		Clip, Tube
28	KH-M-0545010	1	/P	Screw, Hex Flange, M5 x .8 x 10
29	KH-12-353-11	1	/P	Line, Metal Fuel
30	KH-12-353-01	1	S	Line, Fuel, 1 1/4
31	KH-24-050-02	1	S	Filter, Fuel
32	KH-25-353-08	1	S	Line, Fuel, 5"
33	KH-X-380-1	1	S	Connector, Straight Hose
34	KH-12-559-01	1	S	Kit, Fuel Pump (Incl. 35-37)
35	KH-M-0645020	2	S	Screw, Hex Flange, M6 x 1 x 20
36	KH-12-112-05	1		Spacer, Fuel Pump
37	KH-25-041-09	2	S	Gasket, Fuel Pump
38	723-3066-24	1	/P	Insulation Fuel Line
	KH-12-757-02	1	/P	Kit, Float Assembly (NOT SHOWN)
	KH-12-757-03	1	/P	Kit, Carburetor Repair (NOT SHOWN; Includes The Following Parts)
	KH-12-041-01	1	/P	Gasket, Carburetor
	KH-12-041-02	1	/P	Gasket, Air Filter Base
	KH-12-041-05	1	/P	Gasket, Fuel Bowl
	KH-12-041-06	1	S	Gasket, Bowl Screw
	KH-12-757-08	1	/P	Kit, Choke Repair (NOT SHOWN; Includes The Following Parts)
	KH-12-144-17	1	S	Shaft Assembly, Choke
	KH-12-146-12	1		Plate, Choke
	KH-12-158-01	1	S	Bushing, Choke
	KH-12-173-06	1	/P	Cap, Choke Lever
	KH-25-086-27	1	/P	Screw, Valve (2)
	KH-12-757-33	1	/P	Kit, Solenoid Repair (NOT SHOWN; Includes The Following Parts)
	KH-12-041-06	1	S	Gasket, Bowl Screw
	KH-12-454-01	1	S	Tie, Wire
	KH-25-452-20	1		Terminal
	KH-M-05610101	1		Screw, Thrd Forming M5 x .8 x 10 (NOT SHOWN; Used to Attach Carburetor Ground Lead)
	KH-X-22-11	1		Washer, Lock 1/4" (NOT SHOWN; Used to Attach Carburetor Ground Lead)

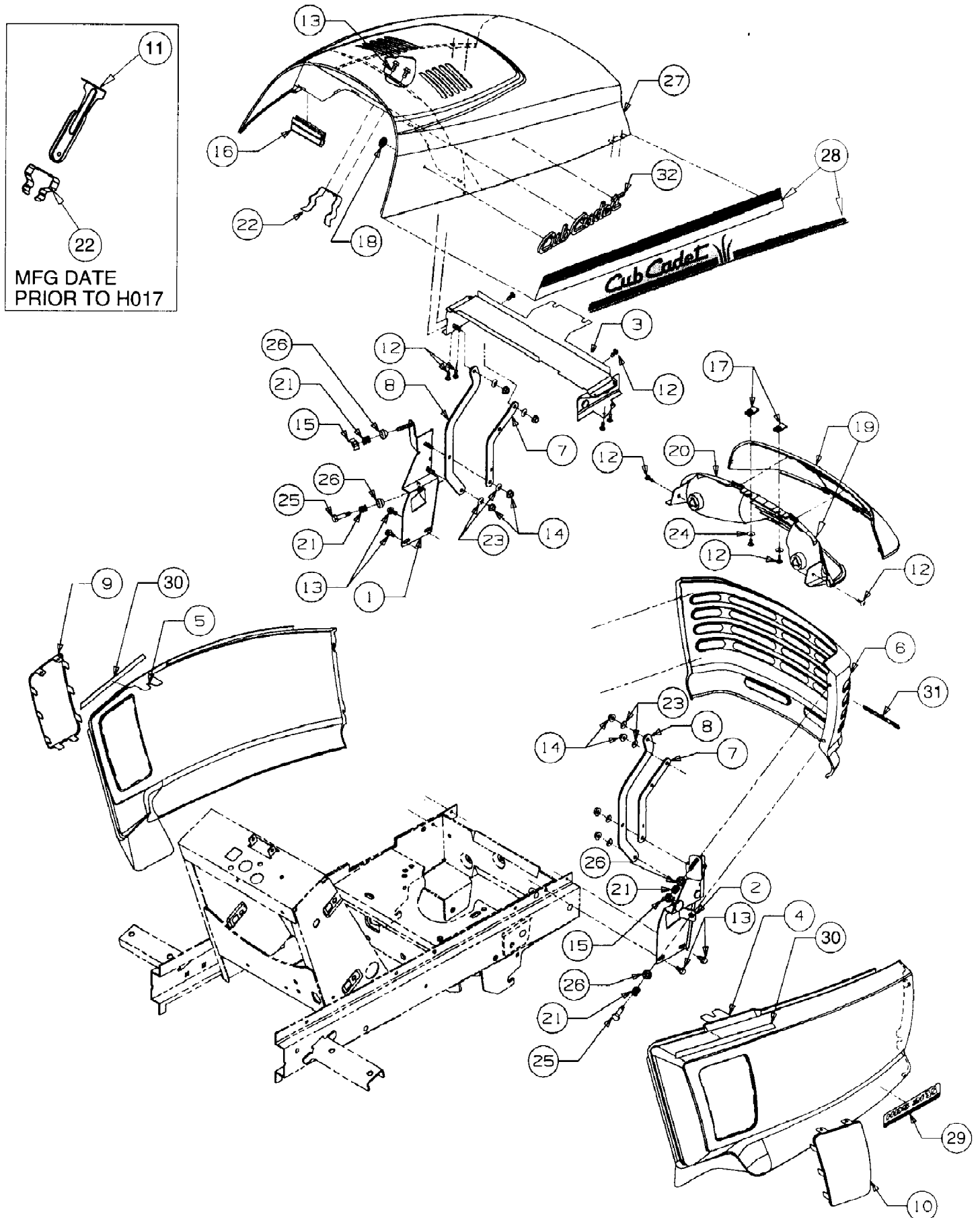




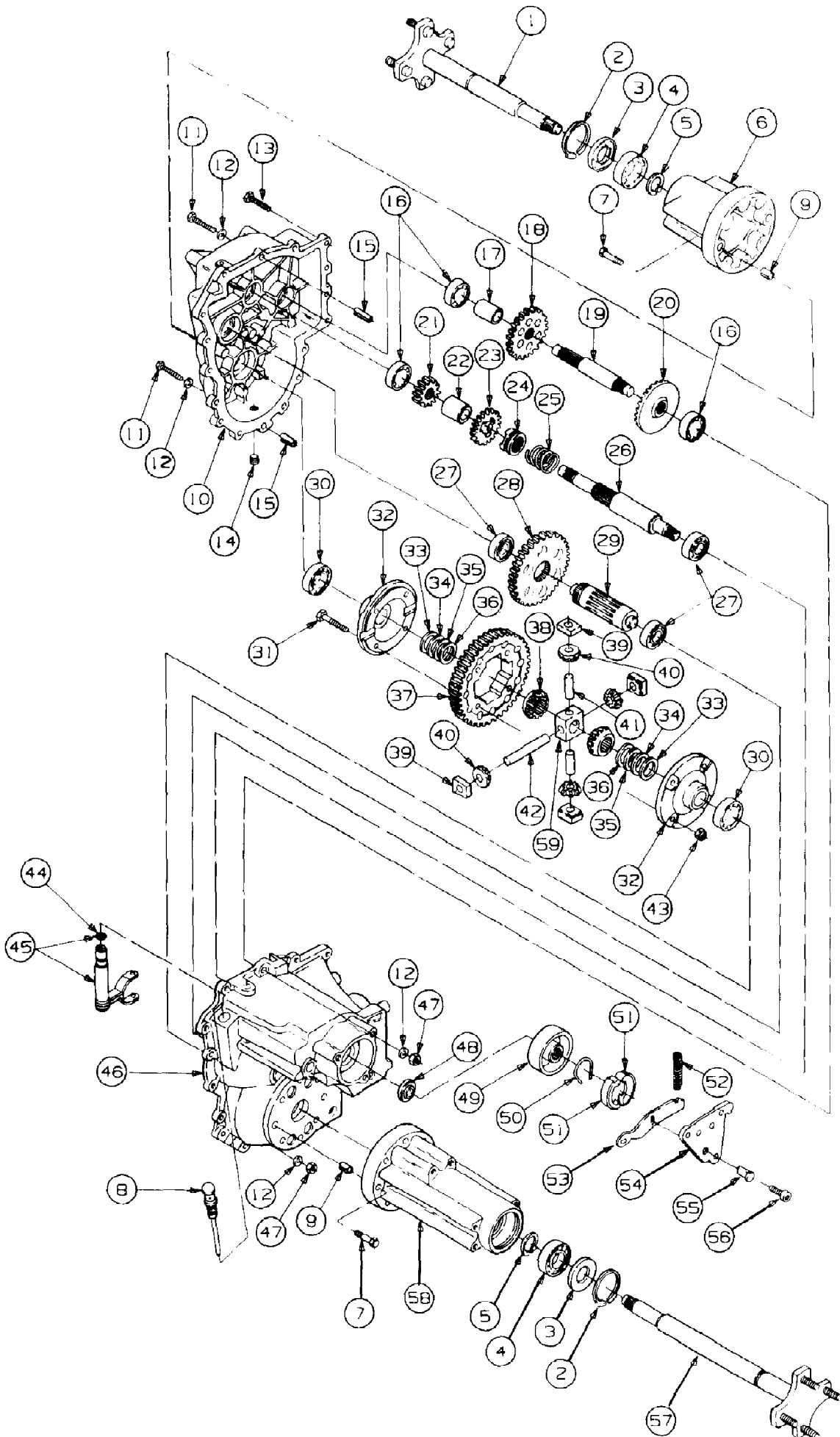
2135 Tractor S/N 326,006 & Up  
Fuel Tank

Page 50 of 84

Ref #	Part Number	Qty	S/P/F	Description
1	722-3020	AR		Foam, 1.25 Sq x .62 Thk
2	722-3022	AR	S	Tape, Foam, .625 Wide x .25 Thk
3	726-0205	2	/P	Clamp, Hose
4	759-3330	1	/P	Line, Fuel, 72 in. Lg (Order bulk fuel line part no. 759-3330 10 ft lg.)
5	751-3112	1	S	Tank, Fuel
6	751-3124B	1	S	Cap, Fuel
	723-3066	1	S	Insulator, Foam Fuel Line (Not Shown)



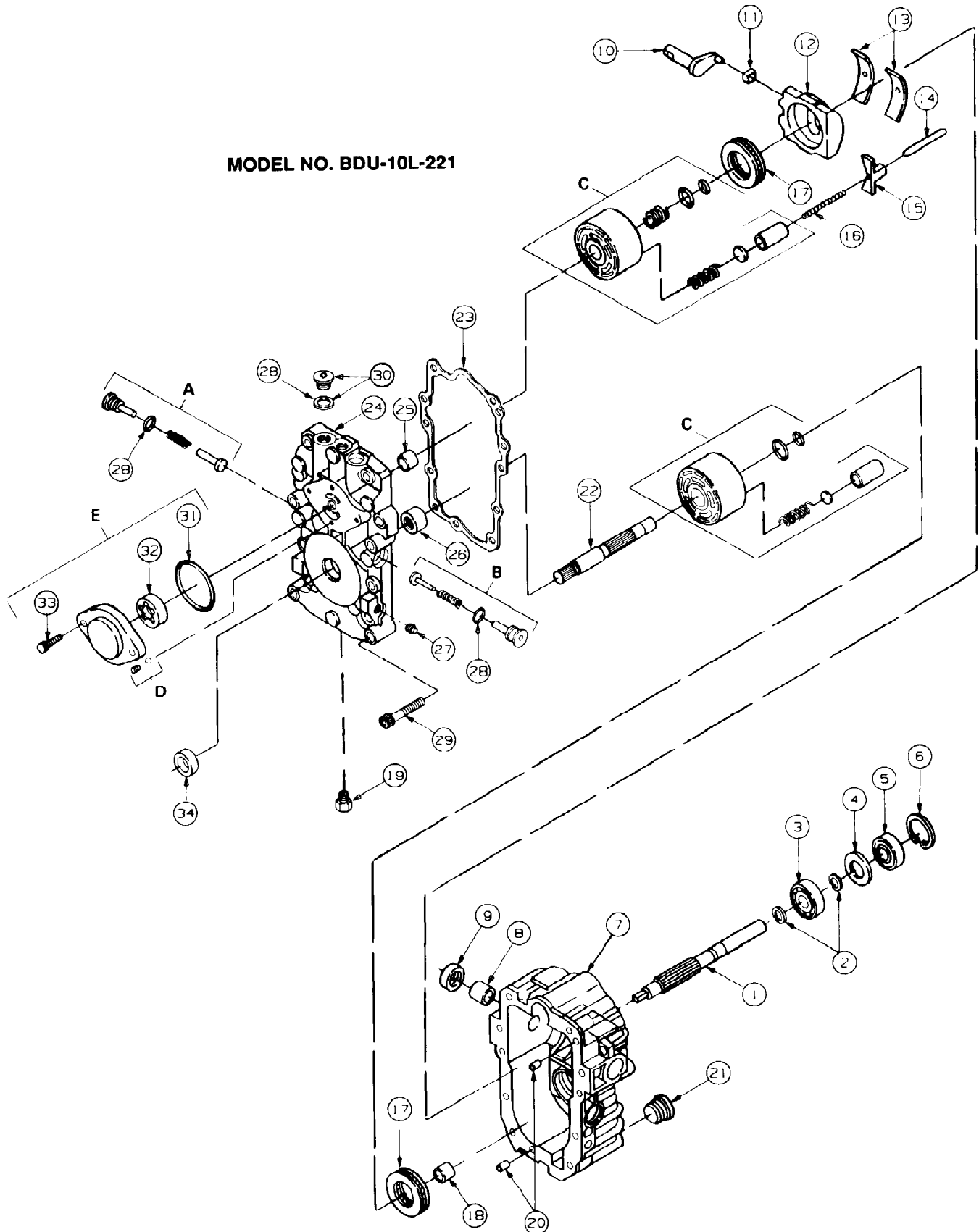
Ref #	Part Number	Qty	S/P/F	Description
1	603-0211	1		Bracket, Grille LH
2	603-0212	1	S	Bracket, Grille RH
3	603-0583-0499	1	S	Bracket, Upper Hood
4	703-2396-0499	1	/P	Panel, RH Side
5	703-2397-0499	1	/P	Panel, LH Side
6	703-2398-0499	1	/P	Grille
7	703-2465	2	/P	Link, Short Hood
8	703-2466A	2	S	Link, Long Hood
9	703-2495-0499	1	/P	Screen, LH Panel
10	703-2496-0499	1	/P	Screen, RH Panel
11	703-2612	1		Guide, Hood (Mfg Date G317 and Before)
12	710-0351	8	/P	Screw, Truss Mach Tapp, #10 x .50
13	710-0599	6	/P	Screw, Hex Wash Hd Tapp, 1/4 x .50
14	712-3027	8	S	Nut, Hex Flange Lock, 1/4-20
15	712-3087	2	/P	Nut, Wing, 1/4-20
16	723-3059	1	/P	Seal, Heat Baffle
17	726-0139	2	/P	Nut, U-Type Speed, #10
18	726-3047	6	S	Retainer, Push Nut (S/N 359000 and Below)
19	725-3257A	1	S	Headlight Assembly (Lens Glued to Reflector on Units Built After Mfg Date H018)
	759-3693	2	S	Bulb Assembly Only, Headlamp
	731-3138A	1	S	Lens, Cub Cadet
	731-3150A	1	S	Reflector, Headlight
20		1		UNKNOWN
21	732-0334	4	S	Spring, Compression, .50 OD x .50 Lg
22	732-3116	1		Spring, Hood Latch (Mfg Date G317 and Before)
	732-0855	1	S	Spring, Hood Latch (Mfg Date H017 and After)
23	736-0175	8	S	Washer, Spring, .265 x .562 x .025
24	736-0400	2	S	Washer, Flat, .218 x .62 x .063
25	738-3141	2	S	Bolt, Shoulder, .31 Dia x .75 Lg
26	748-3055	4	S	Bushing, Tapered
27	759-3747-0499	1	S	Hood, Series 2000
28	777-1702	1		Graphic, Hood, RH
	777-1701	1		Graphic, Hood, LH (S/N 359000 and Below)
	777D02198	1	/P	Graphic, Hood, RH
	777D02199	1	/P	Graphic, Hood, LH (S/N 359001 and Above)
29	777-1705	2		Graphic, HDS 2135 (S/N 359000 and Below)
	777D00552	2		Graphic, HGS 2135 (S/N 359001 and Above)
30	777X40079	2	/P	Strip, Protective
31	777I20314	1	/P	Graphic, Warning HOT
32	779-3536	2	S	Script w/Studs, Cub Cadet (S/N 359000 and Below)



Ref #	Part Number	Qty	S/P/F	Description
1	611-3008	1		Axle Assy, LH, 11.9" Lg
2	716-3015	2		Ring, Inverted Retainer
3	721-3020A	2	S	Seal, Oil
4	741-3033A	2	S	Bearing
5	716-3018	2		Ring, External Retaining
6	619-3025	1		Housing, LH Axle
7	710-1008	16		Screw, Hex L-Wash Tapp, 3/8-16 x 1.88
8	727-3085	1	S	Dipstick, Oil
9	715-3045	4	S	Bushing, Dowel
10	619-3037B	1	S/F	Housing, LH Differential
	759-3746	1		Sealant, Ultra Grey, 2 oz Tube
11	710-0606	2	/P	Screw, Hex Cap, 1/4-20 x 1.5
12	736-0463	4	S	Washer, Flat, .25 x .62 x .052
13	710-0788	15	/P	Screw, Hex Wash Hd Tapp, 1/4-20 x 1.0
14	737-0177	1	/P	Plug, 1/2-14 NPTF (Used with 619-3037 LH Differential Housing)
	710-1346	1	/P	Screw, Plug, M14 x 1.5 x .827 (Used with 736-0600 Flat Washer for 619-3037B Differential Housings)
15	715-3038	2		Pin, Slotted Spring, 7/16-1.0 (Used with 619-3037 and 619-3038 LH and RH Differential Housings)
	715-3045	2	S	Bushing, Dowel (Used with 619-3037B and 619-3038A LH and RH Differential Housings)
16	741-0361	3	S	Bearing, Ball
17	750-3133	1		Spacer, .757 ID x 1.0 OD x 1.46
18	717-3388	1		Gear, 27T Drive
19	717-3374	1		Shaft, Drive
20	717-3347	1		Gear, 36T Bevel
21	717-3391	1		Gear, 16T Spur
22	750-3134	1		Spacer, .885 ID x 1.125 OD x 1.4
23	717-3387	1		Gear, 187 Shift
24	718-3039	1		Collar, Drive
25	732-3113	1		Spring Compression 1.015 ID x 1.6 L
26	711-3379A	1		Shaft, Shifter
27	741-3057	3	S	Bearing, Ball, .787 x 1.85 x .551
28	717-3392	1		Gear, 42T Spur
29	717-3346	1		Shaft, 9T Output
30	741-3037	2	S	Bearing, Ball
31	710-0151	4	/P	Screw, Hex Cap, 3/8-24 x 2.0
32	619-3013	2		Cover, Differential
33	736-0423	AR		Washer, Flat, 1.0 x 1.56 x .010 Thk
34	736-0431	AR	S	Washer, Flat, 1.0 x 1.56 x .015 Thk
35	736-0424	AR	S	Washer, Flat, 1.0 x 1.56 x .020 Thk
36	736-0420	AR	S	Washer, Flat, 1.0 x 1.56 x .040 Thk
37	717-1159	1		Gear, 60T Bull
38	717-1119	2		Gear, 14T Differential Side
39	717-1190	4		Block, Differential Thrust
40	717-1120	4		Gear, 10T Differential Pinion
41	717-1178	2		Shaft, Cross
42	717-1173	1		Shaft, Cross, 50 OD x 3.485 Lg

Ref #	Part Number	Qty	S/P/F	Description
43	712-3054	4	/P	Nut, Hex Lock, 3/8-24
44	721-3008	1	/P	O-Ring, 3/8 ID x 1/2 OD
45	618-3084	1	S	Yoke Assy, Shift (Includes Ref No. 44)
46	619-3036A	1		Housing, RH Differential (Replaces 619-3036 by also ordering (2) 715-3045 Dowel Bushings.)
	759-3746	1		Sealant, Ultra Grey, 2 oz Tube
47	712-0291	2	S	Nut, Hex Center Lock, 1/4-20
48	721-3029	1	S	Seal, Shift Shaft
49	761-3019	1		Drum, Brake
50	732-3077	1		Spring, Brake
51	761-3020	2	S	Shoe, Brake
52	732-0152	1		Spring, Compression
53	703-2191	1		Arm, Brake
54	618-3060	1	S	Plate, Brake
55	761-3028	1		Actuator, Brake Shoe
56	710-3262	1		Screw, Low Hd Cap, 3/8-16 x .75
57	611-3009	1		Axle Assy, RH, 15.6 Lg
58	619-3024	1		Housing, Axle - RH
	759-3746	1		Sealant, Ultra Grey, 2 oz tube
59	717-1180	1		Block, Differential Pinion
	736-0600	1		Washer

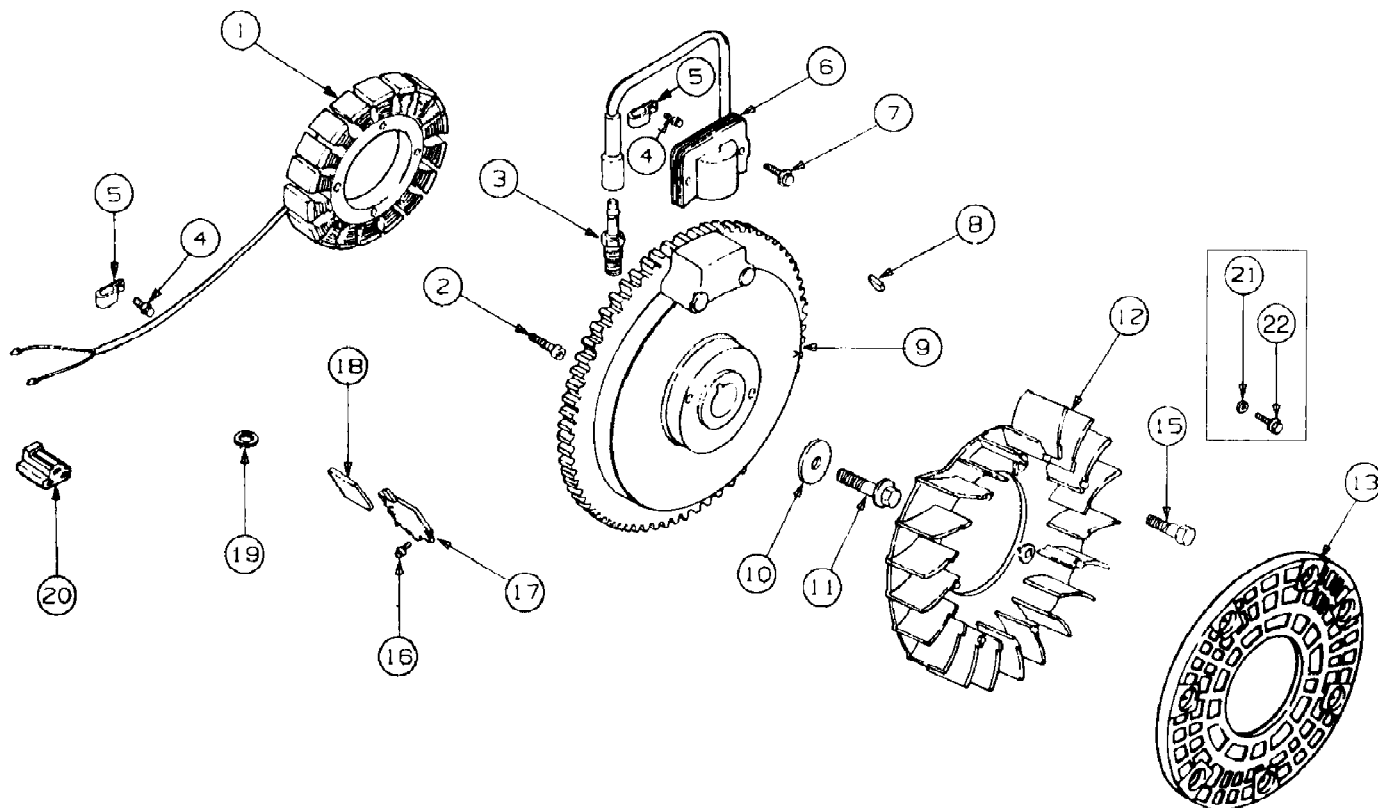
MODEL NO. BDU-10L-221



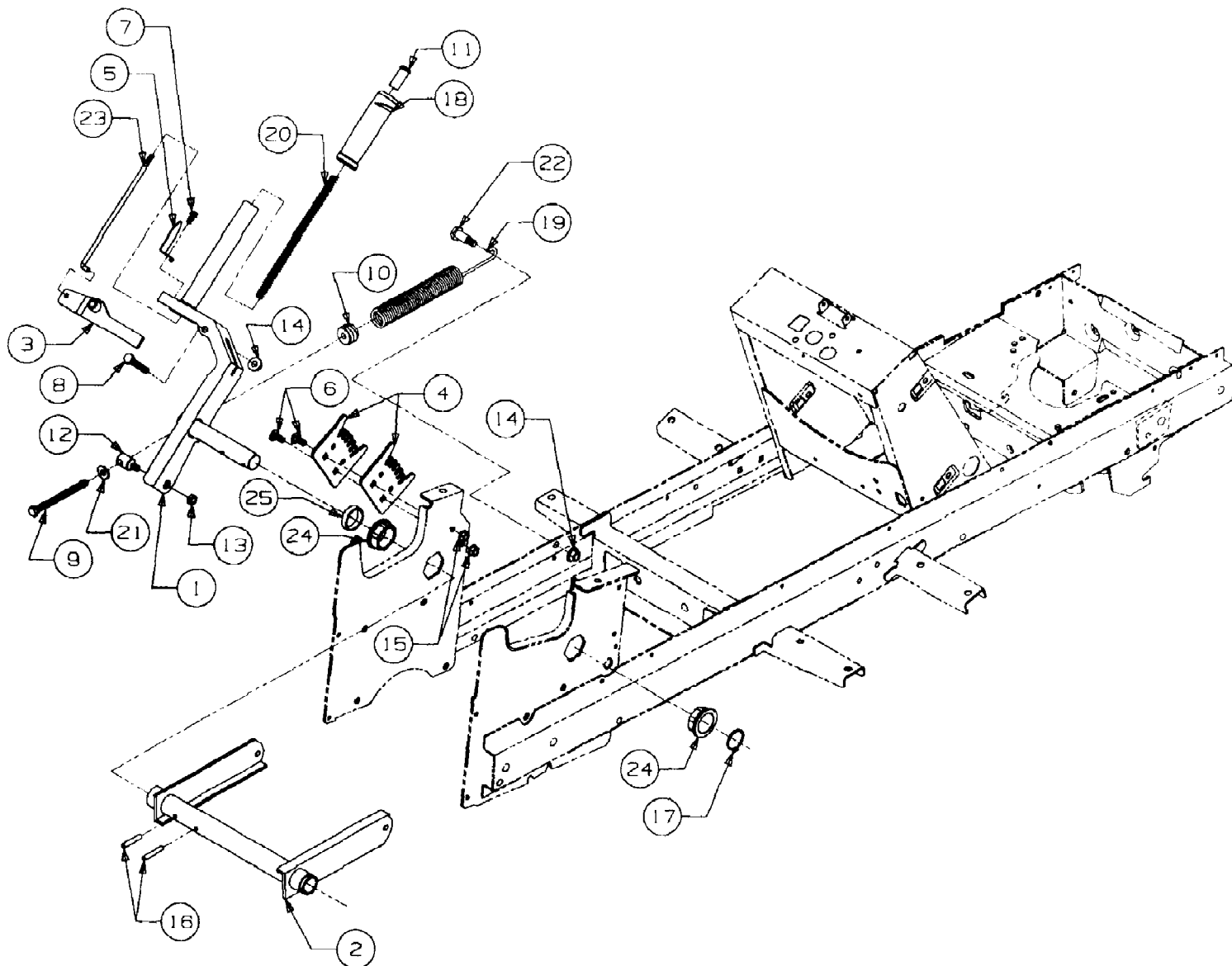


Ref #	Part Number	Qty	S/P/F	Description
A	HG-2510050	1	/P	Kit, Check Valve
B	HG-2510034	1	/P	Kit, Orificed Check Valve
C	HG-2513009	2	S	Kit, Cylinder Block
D	HG-2510011	1	/P	Kit, Charge Relief Valve
E	HG-2513027	1	/P	Kit, Charge Pump
1	HG-50185	1		Shaft, Pump
2	HG-2003016	2	/P	Ring, Retaining (Used in Overhaul Kit P/N HG-2513013)
3	HG-2003043	1	S	Bearing, Ball
4	HG-2003018	1	/P	Spacer (Used in Overhaul Kit P/N HG-2513013)
5	HG-9008000-0128	1	/P	Seal, Lip (Used in Overhaul Kit P/N HG-2513013)
6	HG-2003052	1	/P	Ring, Retaining (Used in Overhaul Kit P/N HG-2513013)
7	HG-2513036	1	/P	Housing Assy (Includes 8, 14, & 18)
8	HG-2003009	1		Bearing, Journal
9	HG-9008000-0126	1	/P	Seal, Lip (Used in Overhaul Kit P/N HG-2513013)
10	HG-2003005	1	/P	Arm, Trunnion
11	HG-2000015	1	/P	Guide, Slot
12	HG-2003087	1	/P	Swashplate
13	HG-2003023	2	S	Bearing, Cradle
14	HG-9004820-2536	1		Pin, Leveler
15	HG-2003091	1		Leveler, Swashplate
16	HG-2003092	1		Spring, Leveler
17	HG-2003044	2	S	Bearing, Thrust
18	HG-2003071	1		Bearing, Journal
19	HG-9005110-4400	1		Plug
20	HG-9004800-2506	2	/P	Pin
21	HG-9005110-8700	1	/P	Plug
22	HG-2003034	1		Shaft, Motor
23	HG-2003060	1	/P	Gasket, Center Section (Used in Overhaul Kit P/N HG-2513013)
24	HG-2513037	1		Center Section Assy (Includes 25, 26)
25	HG-2003071	1		Bearing, Journal
26	HG-2003045	1		Bearing, Needle
27	HG-9005001-0600	1	/P	Plug, Pipe
28	HG-9004201-3700	3	/P	O-Ring (Used in Overhaul Kit P/N HG-2513013)
29	HG-9007314-0808	8	/P	Screw, Socket Hd
30	HG-9005110-5600	2	/P	Plug w/Ring
31	HG-9004101-1340	1	/P	O-Ring (Used in Overhaul Kit P/N HG-2513013)
32	HG-J1041008	1	S	Gerotor Assy.
33	HG-9007375-0038	2		Screw, Socket Hd
34		1		Not Used In This Application
	HG-2513013	1	/P	Kit, Overhaul Seal





Ref #	Part Number	Qty	S/P/F	Description
1	KH-237878	1	/P	Kit, Stator (Incl. KH-25-452-01)
2	KH-X-67-51	4	S	Screw, Stator Mntg, M5 x .8 x 25
3	759-3336	1	/P	Spark Plug
4	KH-M-0545010	2	/P	Screw, Harness Clip, M5 x .8 x 10
5	KH-X-728-1	2		Clip, Cable
6	KH-12-584-04	1	/P	Module, Ignition
7	KH-M-0545020	2	/P	Screw, Ign Module, M5 x .8 x 20
8	KH-X-42-15	1	/P	Key
9	KH-12-025-28	1		Flywheel Assembly
10	KH-12-468-03	1	/P	Washer, Flywheel
11	KH-12-086-14	1		Screw, Flywheel, M10 x 1.5 x 46
12	KH-12-157-03	1	S	Fan
13	KH-12-162-05	1		Screen, Grass
15	KH-25-086-47	4	/P	Bolt, Shoulder M6 x 1 x 16
16	KH-M-0639016	2	S	Screw, Rectifier, M6 x 1 x 16
17	KH-41-403-09	1	S	Rectifier-Regulator
18	KH-236602	1	S	Connector, Three Contact
19	KH-X-22-11	1		Washer, Lock, 1/4
20	KH-236473	1		Connector, Three Contact
21		4		Spacer (Replaced by KH-25-086-47)
22		4		Screw (Replaced by KH-25-086-47)
	KH-12-518-29	1		Lead, Black, 6"
	KH-M-0445010	2		Screw, Hex Flange, M4 x .7 x 10 (To attach harness to baffle)
	KH-12-518-01	1		LEAD
	KH-15-518-09	1	S	USE KH-25-518-29 LEAD-BLACK G
	KH-25-518-05	1		LEAD
	KH-25-452-01	1		
	KH-25-086-47	1	/P	BOLT-SHOULDER

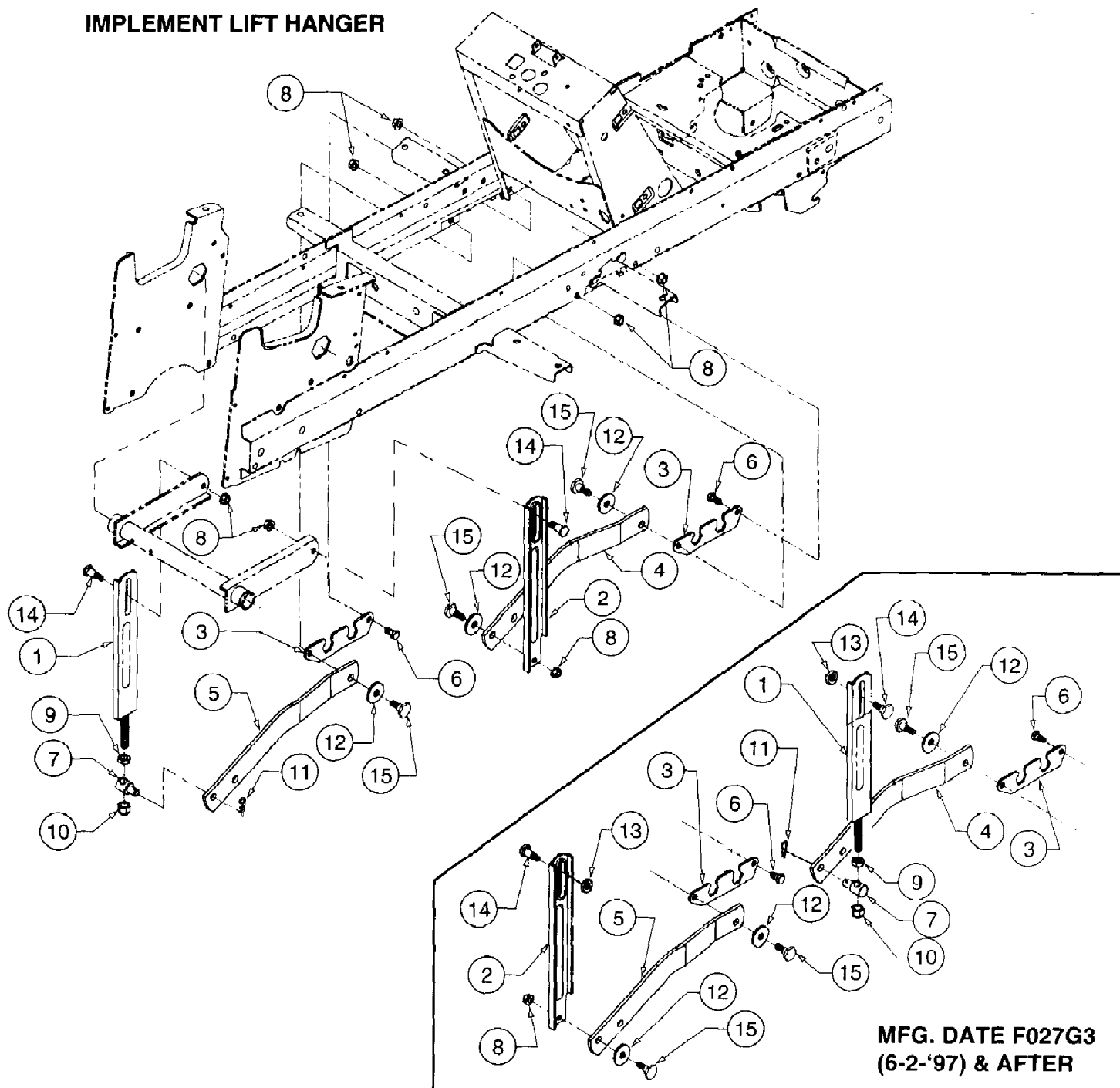


2135 Tractor S/N 326,006 & Up  
Implement Lift Handle

Page 61 of 84

Ref #	Part Number	Qty	S/P/F	Description
1	603-0057A	1	S	Handle Assembly, Lift
2	603-0059	1	S	Shaft Assembly, Lift
3	603-0136	1		Fork, Lift
4	703-2239	2	S	Bracket, Lift Index
5	703-2558	1		Indicator, Lift Height
6	710-0451	2	/P	Bolt, Carriage, 5/16-18 x .75
7	710-0599	1	/P	Screw, Hex Wash Tapp, 1/4 x .5
8	710-3144	1	/P	Screw, Hex Cap, 3/8-16 x 2 GR5
9	710-3279	1	/P	Screw, Hex Cap, 3/8-16 x 4.25 GR5
10	711-0635	1	/P	Insert, Spring
11	711-0642A	1	/P	Button, Handle
12	711-3350	1		Ferrule, Adjustment
13	712-0262	1	/P	Nut Hex Center Lock Jam 3/8-24
14	712-0431	2	S	Nut, Hex Flanged Lock, 3/8-16
15	712-3004A	2	/P	Nut, Hex Flanged Top Lock, 5/16-18
16	715-0114A	2	S	Pin, Spiral Spring, 1/4 Dia x 1.5
17	716-0116	1	/P	Ring, Snap, 1.25 Dia Shaft
18	731-3158	1	/P	Grip, Lift Handle
19	732-3093	1		Spring, Extension
20	732-3097	1		Spring, Compression
21	736-0267	1	S	Washer, Flat, .385 x .87 x .06
22	738-0145	1	S	Bolt, Shoulder
23	747-3175	1	S	Rod, Index
24	748-3051	1	S	Bearing, Hex Flange, 1.25 ID
25	750-3131	1		Spacer, 1.28 ID x 1.5 OD x .335 Lg

**IMPLEMENT LIFT HANGER**



**MFG. DATE F027G3  
(6-2-'97) & AFTER**

2135 Tractor S/N 326,006 & Up  
Implement Lift Hanger

Page 63 of 84

Ref #	Part Number	Qty	S/P/F	Description
1	603-0058	1		Bracket, LH Hanger Moved to RH side - Mfg. Date F027G3 (6-02-'97) & After
2	703-2234	1		Bracket, RH Hanger Moved to LH side - Mfg. Date F027G3 (6-02-'97) 8 After
3	703-2804	2		Plate, Bearing Mounting
4	703-2832	1		Link, RH Lift
5	703-2833	1		Link, LH Lift
6	710-3000	2	S	Screw, Hex Cap, 3/8-16 x.75 GR5
7	711-3319	1	S	Ferrule, Adjustment
8	712-0431	7	S	Nut, Hex Flange Lock, 3/-16
9	712-3048	1	S	Nut, Hex Jam, 1/2-13 GR5
10	712-3083	1	/P	Nut, Hex Insert Lock, 1/2-13
11	714-0145	1	S	Pin, Internal Cotter
12	736-3125	3	/P	Washer, Flat, .50 x 1.5 x .15 Mfg. Date F017G3 & Before
	736-0326	3	S	Washer, Flat, .51 x 1.0 x .125 Mfg. Date F027G3 & After
13	736-3069	2		Washer, Flat, .531 x .875 x .15 Mfg. Date F027G3 & After
14	738-0430	2		Bolt, Shoulder
15	738-0507B	3	S	Bolt, Shoulder

13A-214F100

# 13A-214F100

## LABEL SPECIFICATIONS SHEET

IND. PLASTICS    BROWNSVILLE    INDIANOLA    SHELBY    WILLARD    OTHER \_\_\_\_\_  
 CLEVELAND    CANADA    MARTIN    TUPELO    PURCHASING    AUDIT

<b>MODEL NO.</b>	<b>13A-214F100</b>	<b>DATE</b>	<b>DEC.11,96</b>
<b>CUSTOMER</b>	<b>CUB CADET</b>	<b>HP/CUT</b>	<b>13.0/38</b>

777-4571

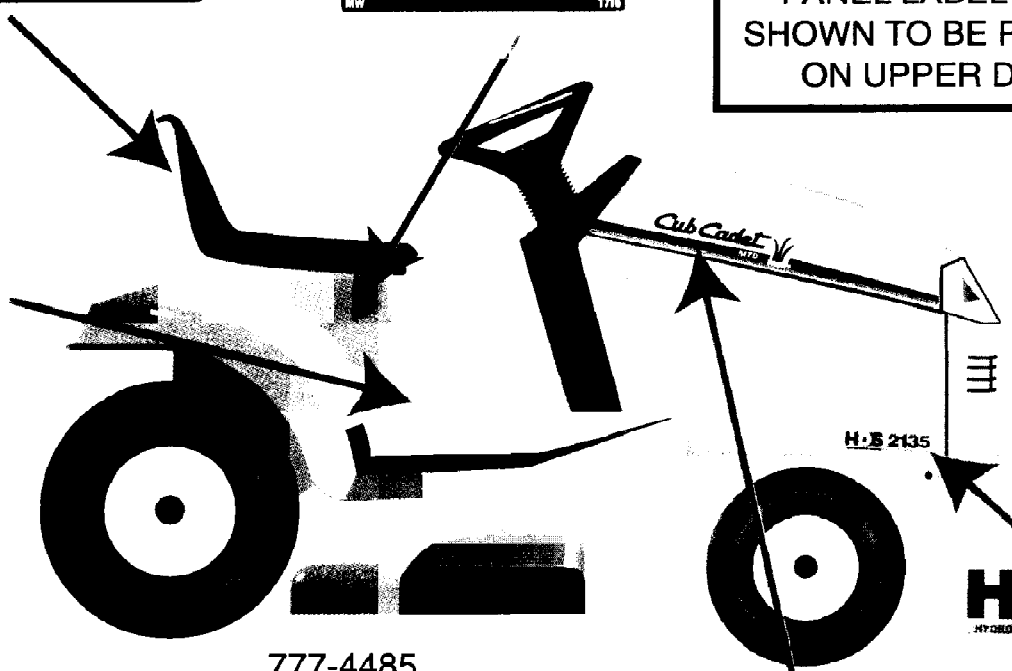
777-1716

CENTER ON BACK OF SEAT



LABEL # 777-4267 DASH  
PANEL LABEL NOT  
SHOWN TO BE PLACED  
ON UPPER DASH

777-1712



H.S 2135

777-4536



777-4485

TO BE PLACED WITH # 777-4542 & # 777-4511



777-4542

LEFT SIDE OF HOOD

777-4511

RIGHT SIDE OF HOOD



777-1915A

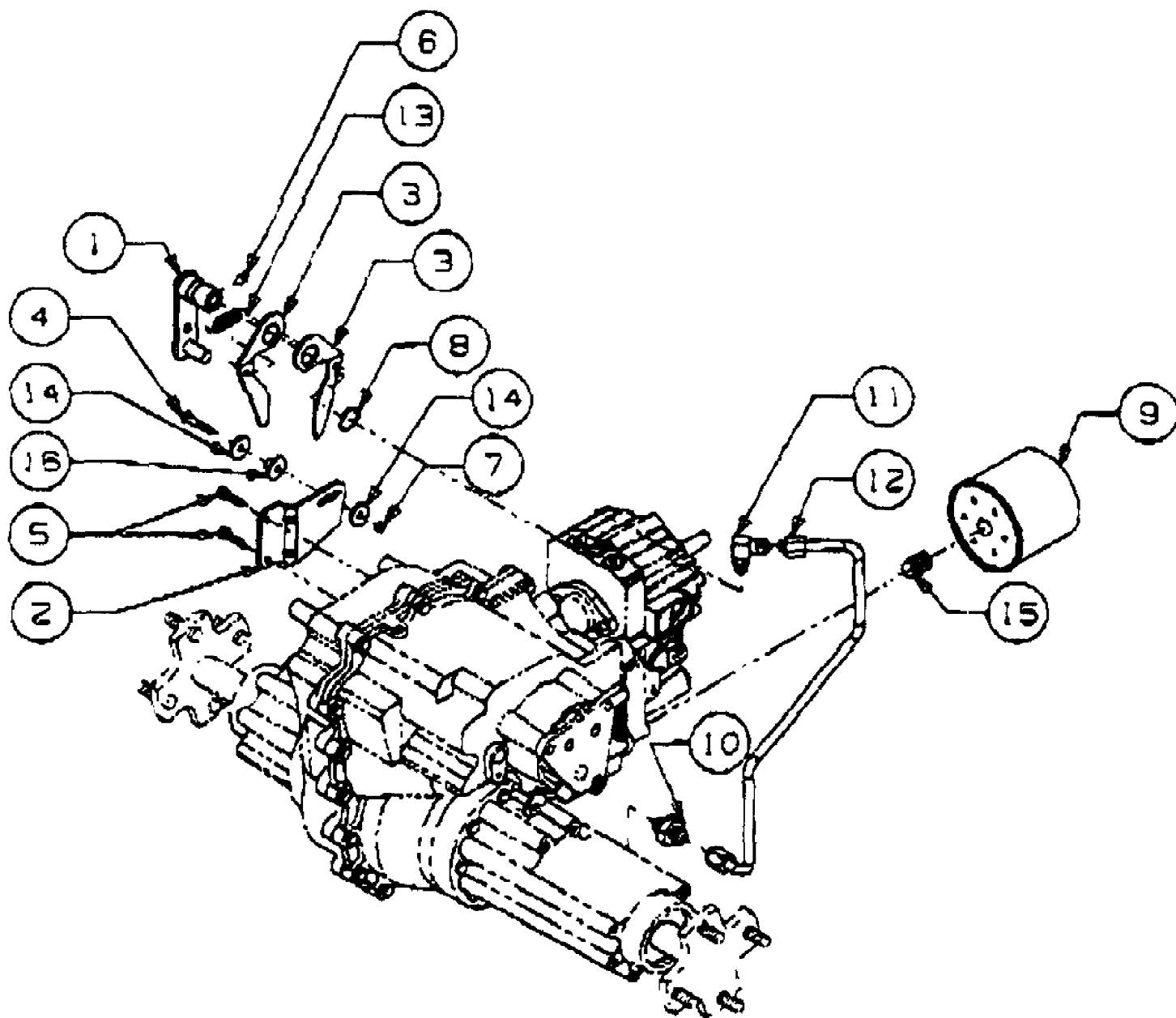
TO BE PLACED ON REAR FENDER

Series 2000

REVISIONS	DATE

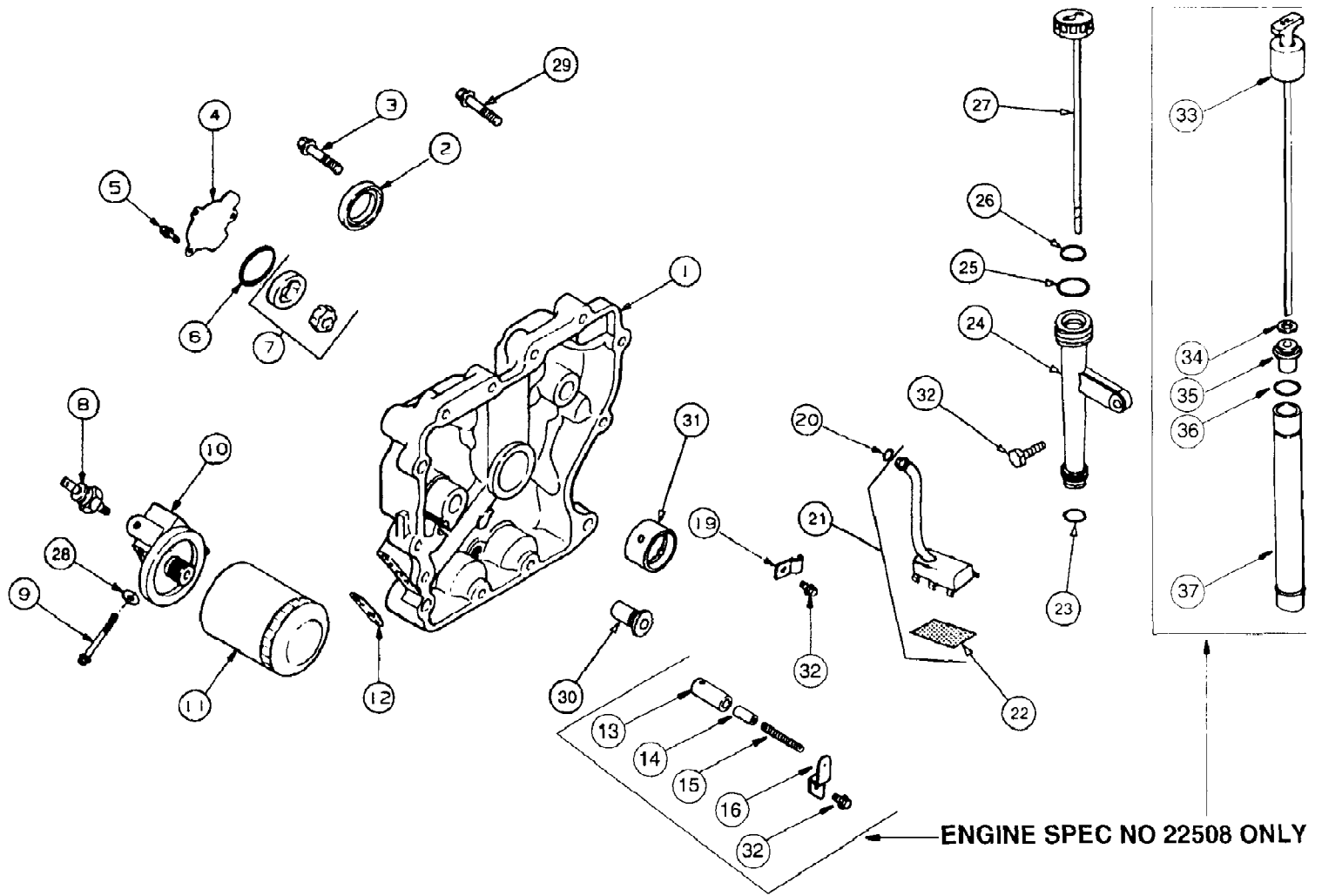
Ref #	Part Number	Qty	S/P/F	Description
777-1712	777-1712	1	S	LABEL-FRAME COVER
777-4571	777-4571	1	S	LABEL-CUB W/SPRIG
777-1716	777-1716	1		LABEL-SEAT ADJ RELEA
777-4267	777-4267	1	S	LABEL-DASH
777-4536	777-4536	1		LABEL-HDS 2135
777-4511	777-4511	1	S	LABEL-CUB BY MTD RH
777-4485	777-4485	1		LETTERS W/SPRIG-CUB
777-4542	777-4542	1		LABEL-CUB BY MTD LH
777-1915A	777-1915A	1	S	LABEL-REAR FENDER



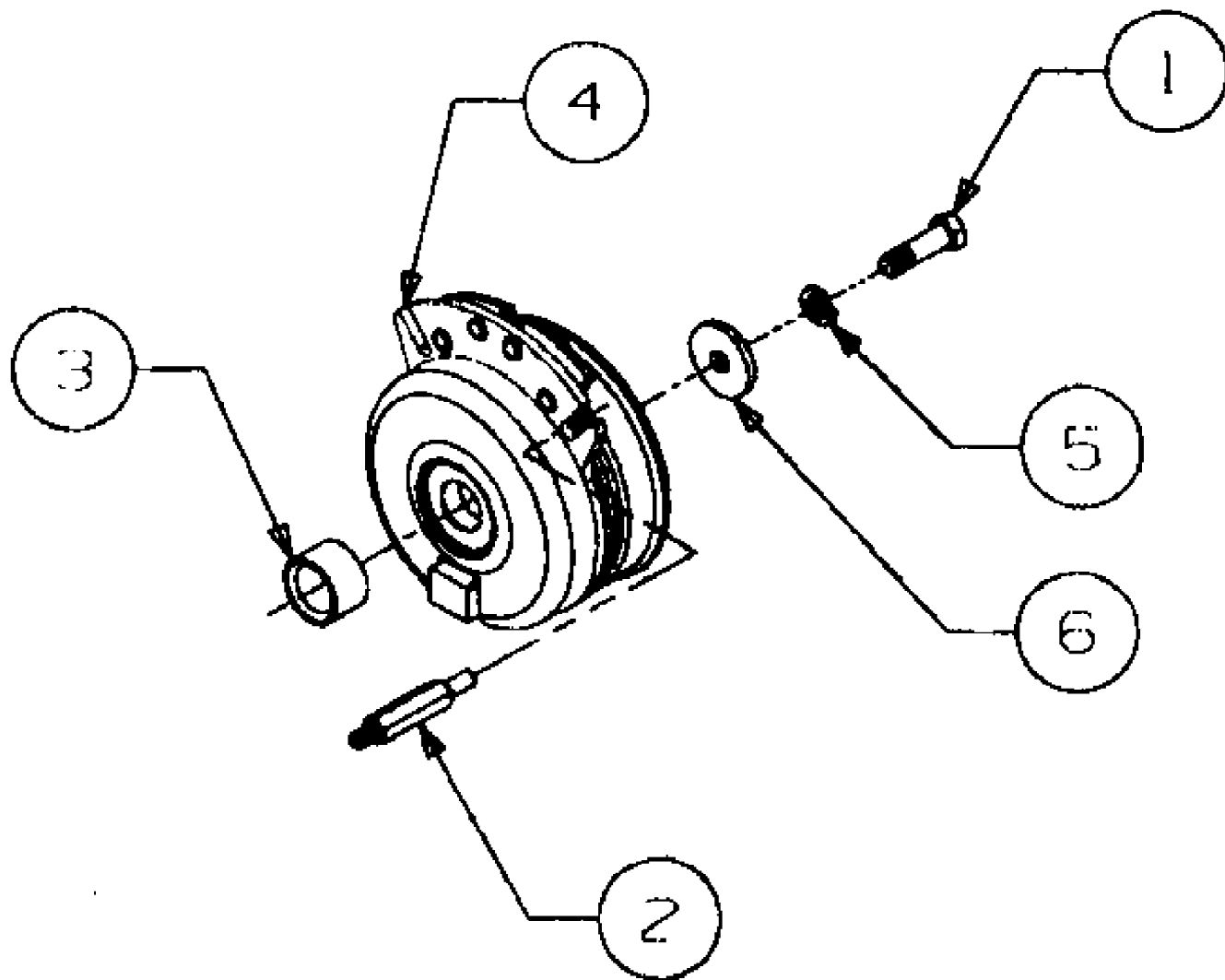


2135 Tractor S/N 326,006 & Up  
Neutral Linkage, Hydraulic Pickup And Return Tubes

Ref #	Part Number	Qty	S/P/F	Description
1	603-0160	1		Arm Assy, Control
2	703-2440	1		Bracket, Hydro Neutral
3	703-2441	2		Arm, Neutral
4	710-0106	1	/P	Screw, Hex Cap, 1/4-20 x 1.25 Lg
5	710-0778	2	/P	Screw, Hex Wash TT-Tap, 1/4-20 x 1.0 Lg
6	710-3242	1		Screw Patch, Set
7	712-0324	1	/P	Nut, Hex Top Lock 1/4-20
8	716-0111	1	/P	Ring, Snap, .875 Shaft
9	723-3014	1	S	Filter, Oil
10	727-3002	1	S	Connector, Tube 37 Deg. w/O-Ring
	721-3001	1	/P	O-Ring, 3/8 OD Tube
11	727-3086	1		Elbow, Adjustable w/O-Ring
	721-3002	1	/P	O-Ring, 1/4 OD Tube
12	727-3088	1		Tube, Pickup
13	732-3119	1	S	Spring, Extension, .50 OD x 1.97 Lg
14	736-0176	2	S	Washer, Flat .25 x .93 x .120 Thk
15	737-3022	1	S	Nipple, Oil Filter
16	750-0918	1		Spacer, Centering



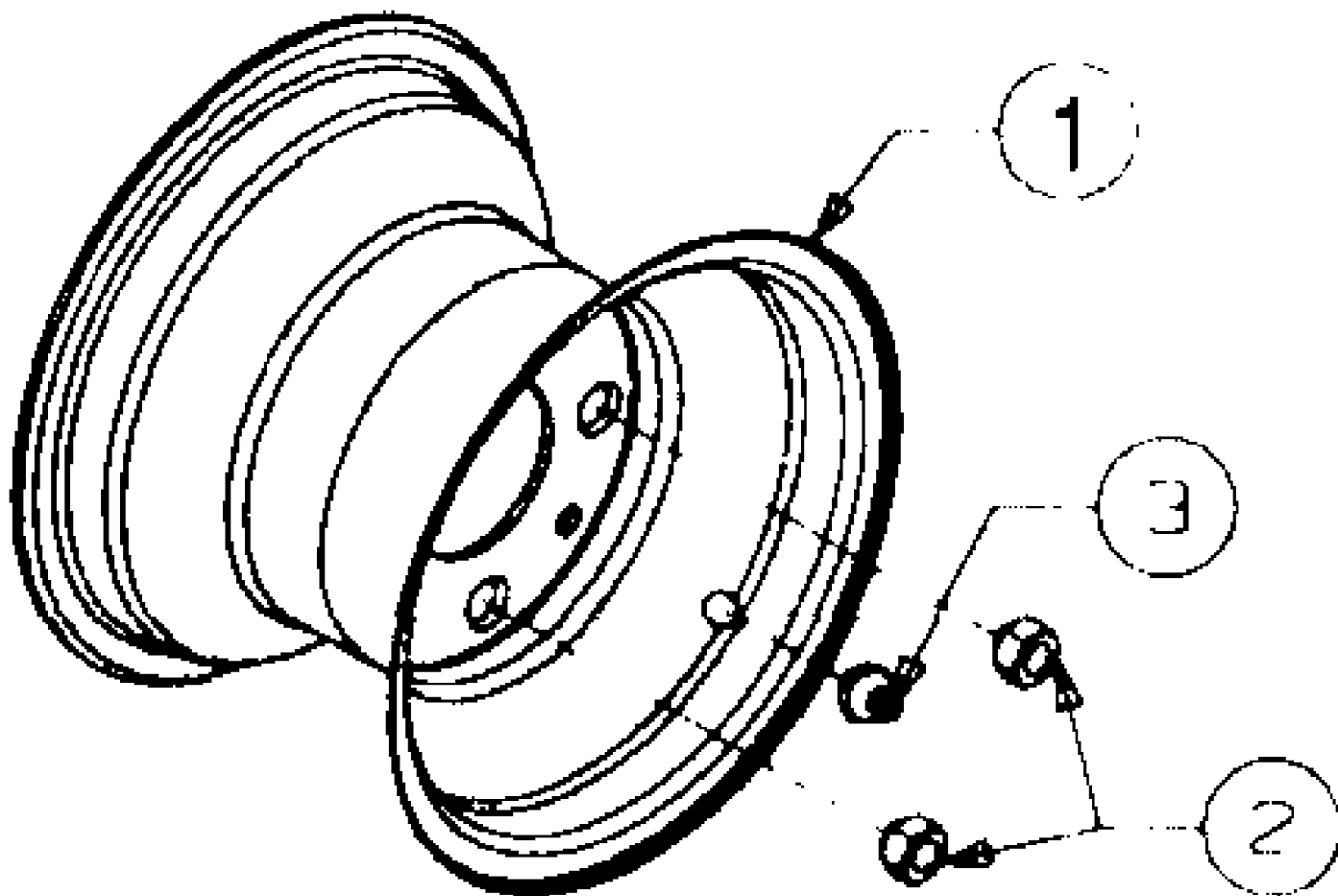
Ref #	Part Number	Qty	S/P/F	Description
1	KH-12-009-39	1		Plate Assembly, Closure (Includes 4, 6, 7, 30 and 31)
2	KH-12-032-03	1	/P	Seal, Oil (PTO End)
3	KH-24-086-16	11	S	Screw, Closure Plate, M8 x 1.25 x 45
4	KH-12-096-21	1	/P	Cover, Oil Pump
5	KH-M-545016	3		Screw, Oil Pump Cover, M5 x .8 x 16
6	KH-12-153-05	1		O-Ring, Oil Pump
7	KH-12-393-01	1		Pump Assembly, Oil
8	KH-25-099-24	1	S	Switch, Oil Pressure
9	KH-M-651055-S	2	S	Screw, Oil Filter Adapt, M6 x 1 x 55
10	KH-12-029-08	1	/P	Adapter, Oil Filter
11	KH-12-050-08	1	S	Filter, Oil
12	KH-12-041-07	1		Gasket, Oil Filter Adapter
13	KH-12-208-02	1	S	Body, Oil Pump Relief Valve
14	KH-12-462-02	1		Piston, Oil Pump Relief Valve
15	KH-12-089-16	1		Spring, Oil Pump Relief Valve
16	KH-12-126-16	1	S	Bracket, Oil Pump Relief Valve
19	KH-52-154-01	1	/P	Clip Oil Tube
20	KH-12-153-04	1		O-Ring, Oil Pick-Up
21	KH-12-755-73	1	/P	Kit, Oil Pick-Up (Includes 22)
22	KH-25-381-01	1		Pick-up, Oil Screen
23	KH-12-153-07	1		O-Ring, Lower Oil Fill Tube
24	KH-12-123-22	1		Tube, Oil Fill
25	KH-12-153-02	1	S	O-Ring, Upper Oil Fill Tube
26	KH-12-153-03	1		O-Ring, Dipstick Cap
27	KH-12-038-08	1		Cap/Dipstick, Oil Fill
28	KH-X-25-12	2	/P	Washer, Plain, 1/4
29	KH-24-086-17	1	S	Screw, Hex Flange M8 x 1.25 x 45
30	KH-25-462-09	1	/P	Valve, Oil Pressure Relief
31	KH-12-030-05	1		Bearing, Thrust
32	KH-M-0545016	1	S	Screw, Hex Flange M5 x .8 x 16 1
33	KH-47-038-27	1		Dipstick Assembly
34	KH-X-25-44	1		Washer, Plain, 5/16
35	KH-52-032-14	1		Seal, Rubber
36	KH-41-153-01	1	/P	O-Ring, Lower Oil Fill Tube
37	KH-12-123-16	1		Tube Oil Fill



2135 Tractor S/N 326,006 & Up  
PTO Clutch

Page 71 of 84

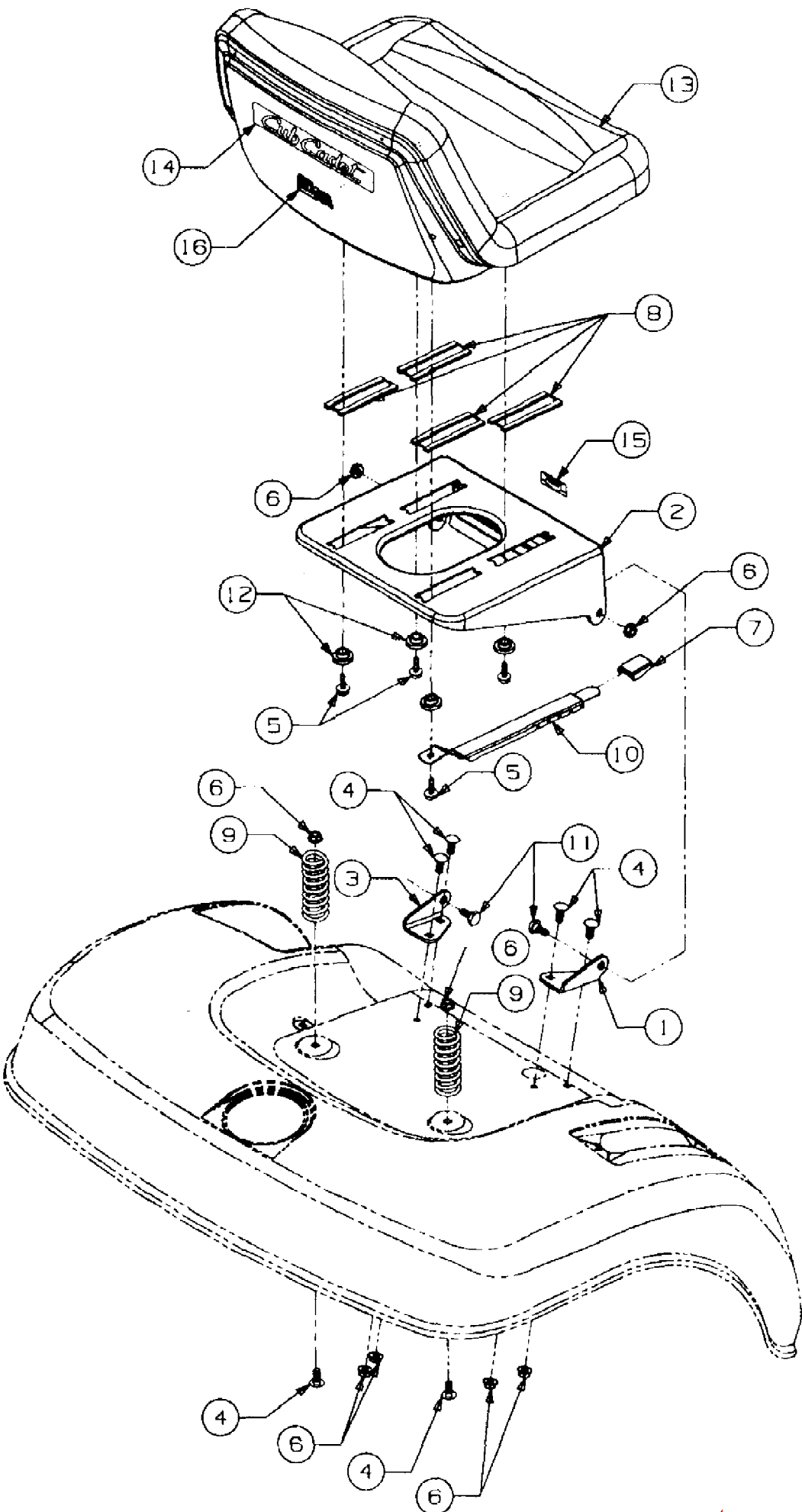
Ref #	Part Number	Qty	S/P/F	Description
1	710-0757	1	/P	Screw, Hex Cap, 7/16-20 x 1.5 GR5
2	711-1099	1		Stud, Clutch Stop
3	711-3351	1		Spacer
4	717-3385A	1	S	Clutch Assy, PTO
5	736-0171	1	S	Washer, Lock, 7/16
6	736-3082A	1	/P	Washer, Flat, .445 x 1.5 x 1.72 Hdn



2135 Tractor S/N 326,006 & Up  
Rear Wheel

Ref #	Part Number	Qty	S/P/F	Description
	734-3104	1	S	Tire, Cub Tread, 20 x 9 x 8 (S/N 359000 & Below)
	734-3189	1	/P	Tire, Cub Tread, 20 x 9 x 8 (S/N 359001 & Above)
1	634-3005-0499	2	S	Rim Assy, Rear
2	712-3050	8	/P	Nut, Lug, 7/16-14
3	734-0255	2	S	Valve, Tubeless Air





Ref #	Part Number	Qty	S/P/F	Description
1	703-2394-0498	1		Bracket, RH Seat Pivot
2	703-2395-0498	1	S	Seat, Base
3	703-2477-0498	1	S	Bracket, LH Seat Pivot
4	710-0451	6	/P	Bolt, Carriage, 5/16-18 x .75
5	710-1260	4	S	Screw, Hx Wsh Hd Tap 5/16-18x.75
6	712-3004A	8	/P	Nut, Hex Flange Lock, 5/16-18
7	720-0190	1	S	Knob, Seat Adjuster
8	731-3154	4		Slide, Seat
9	732-3080	2	S	Spring, Comp, 1.9 OD x 2.4 Lg
10	732-3098	1		Adjuster Seat
11	738-0140	2	S	Bolt, Shoulder
12	738-0372	4	S	Spacer, Shoulder
13	757-3003	1	S	Seat, Medium Back
14	777-1713	1	S	Graphic, Seat Back Script (S/N 359000 & Below)
	777D00550	1	S	Graphic, Seat Back w/MTD Logo
	777D02200	1	S	Graphic, Seat Back w/out MTD Logo
15	777D20310	1		Graphic, Seat Adjuster
16	777D01782	1	/P	Graphic, Made in USA

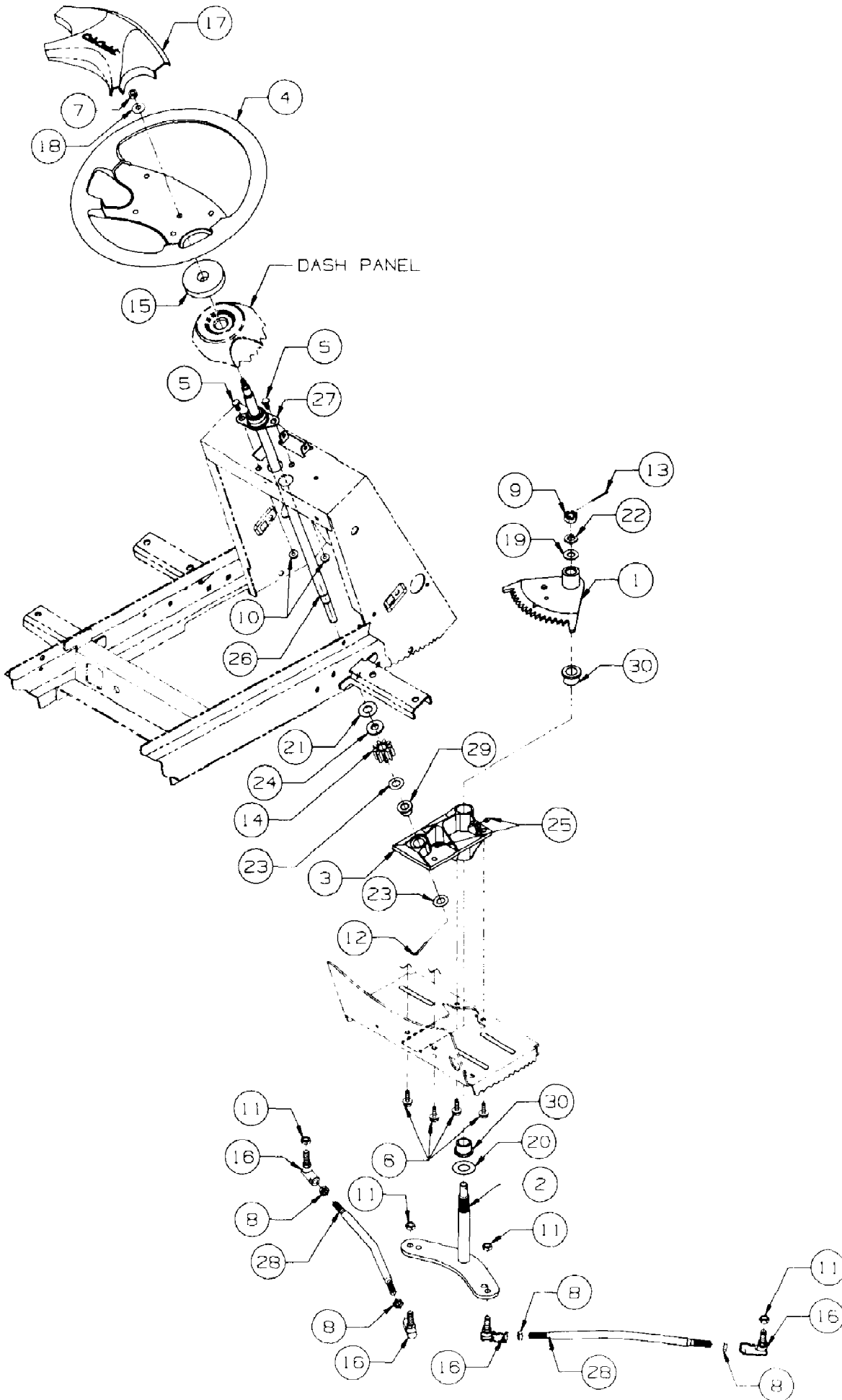


Ref #	Part Number	Qty	S/P/F	Description
1	KH-M-839080	1	S	Screw, Bendix, M8 x 1.25 x 80.6 2
2	KH-24-098-01	1	S	Starter, Solenoid Shift Assy (Includes Ref No.3-19)
3	KH-52-100-10	2		Nut, Starter
4	KH-24-081-04	1		Cap, Drive End
5	KH-12-090-10	1		Lever, Starter Drive
7	KH-24-755-84	1	/P	Kit, Starter Repair
9	KH-52-435-02	1	/P	Solenoid
10	KH-52-100-09	1		Nut, Starter
11	KH-12-239-01	1		Drive Pinion
12	KH-12-170-04	1		Armature, Starter
13	KH-12-471-01	1		Frame
14	KH-52-221-01	1		Kit, Brush (Includes 15)
15	KH-52-089-09	4		Spring, Brush
16	KH-52-323-03	1		Holder, Brush
17	KH-52-168-01	1		insulator
18	KH-24-301-01	1		Cap, Commutator End
19	KH-52-211-05	2		Bolt, Thru
20	KH-M-0841080	1	S	Nut, Hex Flange, M8 x 1.25
	KH-M-839080	2	S	Screw, hex. flange M8x1.25x80 Not shown; Delco-Remy SOLENOID SHIFT STARTER (25 098 08-S)
	KH-M-0841080	1	S	Nut, hex. flange M8x1.25 Not shown; Delco-Remy SOLENOID SHIFT STARTER (25 098 08-S)
	KH-25-098-08-S	1	S	Starter assembly solenoid shift (Delco) Not shown; Delco-Remy SOLENOID SHIFT STARTER (25 098 08-S)
	KH-25-755-33-S	1		Kit, pinion drive Not shown; Delco-Remy SOLENOID SHIFT STARTER (25 098 08-S)
	KH-25-141-05-S	1		Ring Not shown; Delco-Remy SOLENOID SHIFT STARTER (25 098 08-S)
	KH-25-221-01-S	1		Kit, brush Not shown; Delco-Remy SOLENOID SHIFT STARTER (25 098 08-S)
	KH-25-435-04-S	1	/P	Kit, solenoid (Plunger not part of solenoid); Not: Solenoid secured to starter with 3 Philips head screws; Not shown; Delco-Remy SOLENOID SHIFT STARTER (25 098 08-S)
	~N/A	3		Screw, external Philips head (Purchase locally); Not shown; Delco-Remy SOLENOID SHIFT STARTER (25 098 08-S)
	KH-M-839080	2	S	Screw, hex. flange M8x1.25x80 Not shown; Delco-Remy SOLENOID SHIFT STARTER (25 098 09-S)
	KH-M-0841080	1	S	Nut, hex. flange M8x1.25 Not shown; Delco-Remy SOLENOID SHIFT STARTER (25 098 09-S)

2135 Tractor S/N 326,006 & Up  
Starting System

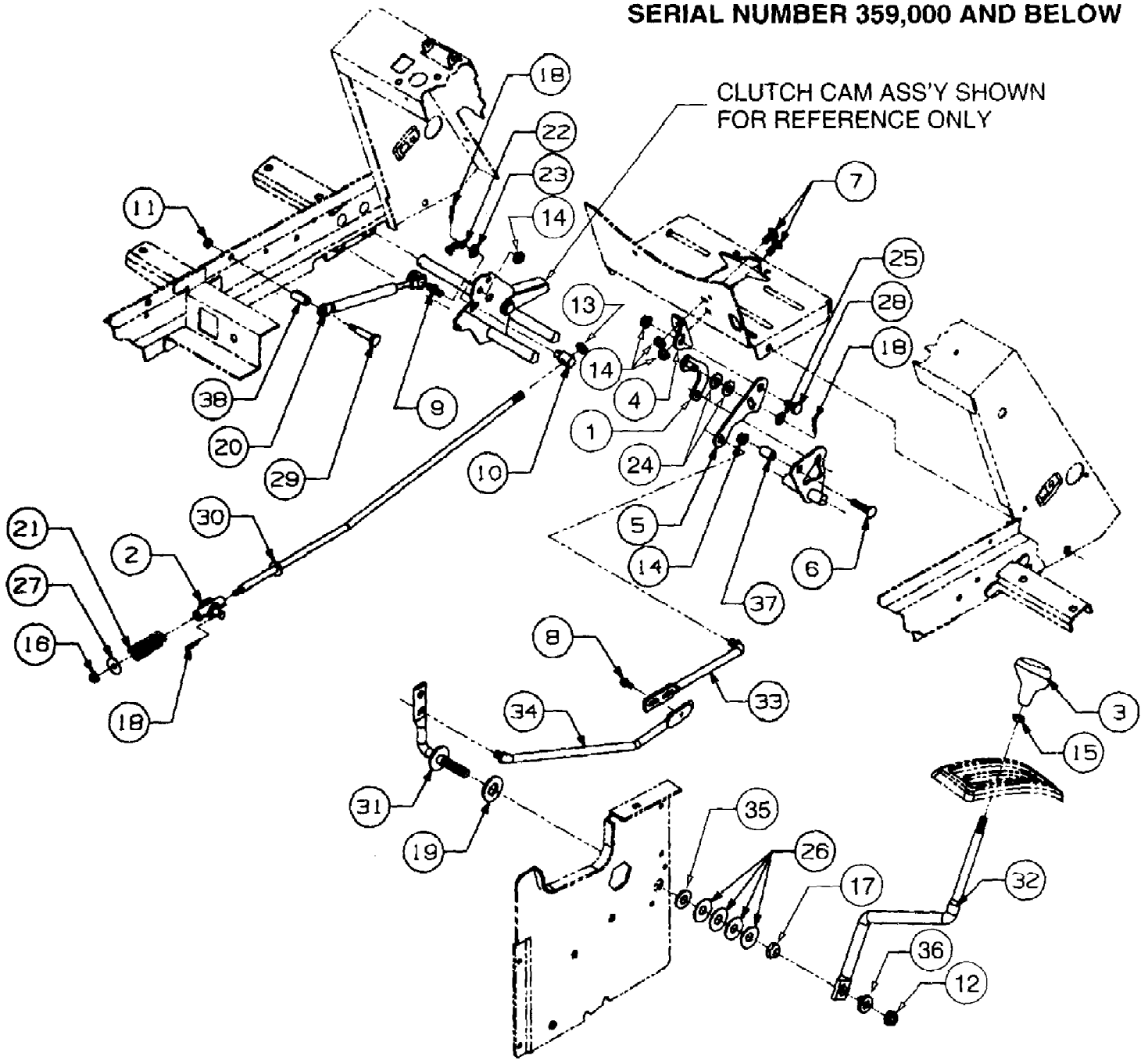
Page 78 of 84

Ref #	Part Number	Qty	S/P/F	Description
	KH-25-098-09-S	1	S	Starter assembly solenoid shift (Delco) Not shown; Delco-Remy SOLENOID SHIFT STARTER (25 098 09-S)
	KH-25-755-33-S	1		Kit, pinion drive Not shown; Delco-Remy SOLENOID SHIFT STARTER (25 098 09-S)
	KH-25-141-05-S	1		Ring Not shown; Delco-Remy SOLENOID SHIFT STARTER (25 098 09-S)
	KH-25-221-01-S	1		Kit, brush Not shown; Delco-Remy SOLENOID SHIFT STARTER (25 098 09-S)
	KH-25-435-05-S	1	S	Kit (Includes 3 Torx head screws), solenoid (plunger is part of the solenoid); Not shown; Delco-Remy SOLENOID SHIFT STARTER (25 098 09-S)
	KH-25-086-113-S	3		Screw, external Torx head M4x0.7x26 Not shown; Delco-Remy SOLENOID SHIFT STARTER (25 098 09-S)



Ref #	Part Number	Qty	S/P/F	Description
1	603-0250	1	/P	Segment Assy, 1ST Steering
2	603-0064	1		Arm Assy, Lower Steering
3	603-0236	1	S	Housing Assy, (Incl. 25, 29, 30)
4	631-0005	1	S	Wheel, Steering
5	710-0751	2	/P	Screw, Hex Cap, 1/4 - 20 x .62, GR5
6	710-1260	4	S	Screw, Hx Wsh Hd-TPTT, 5/16-18 x .75
7	712-0237	1	S	Nut, Hex Center Lock, 5/16-24
8	712-3001	4	S	Nut, Hex Jam, 3/8-24 GR5
9	712-3012	1	S	Nut, Hex Slotted, 1/2-20 GR5
10	712-3027	2	S	Nut, Hex Flange Lock, 1/4-20
11	712-3054	4	/P	Nut, Hex Lock, 3/8-24 GR5
12	714-0115	1	S	Pin, Cotter, 1/8 Dia x 1
13	714-3004	1		Pin, Cotter, 3/32 Dia x 1.25
14	717-3382	1		Pinion, Steering
15	722-3019	1		Gasket, Steering
16	723-0156	4	S	Joint, Ball, 3/8-24
17	731-3139	1		Insert, Steering Wheel
18	736-0242	1	/P	Washer, Bell, .340 x .88 x .06 Thk
19	736-0272	1	S	Washer, Flat, .510 x 1 x .06 Thk
20	736-0351	1	S	Washer, Flat, .760 x 1.5 x .03 Thk
21	736-0355	1	/P	Washer, Flat, .56 x 1 x .04 Thk
22	736-0921	1	S	Washer, Lock, 1/2
23	736-3013	2	S	Washer, Flat, .531 x 1 x .027 Thk
24	736-3132	1		Wshr, Rubber Flat, .50 x 1.12 x .125 Thk
25	737-3000	2	S	Fitting, Grease, 3/16 Drive Type
26	738-3105	1		Shaft, Steering
27	741-3025	1		Bearing, Flange
28	747-3171	2		Rod, Tie
29	748-0108	1	S	Bearing, Flange, .503 ID
30	748-3007A	2	S	Bearing, Bronze Flange, .75 ID

**SERIAL NUMBER 359,000 AND BELOW**

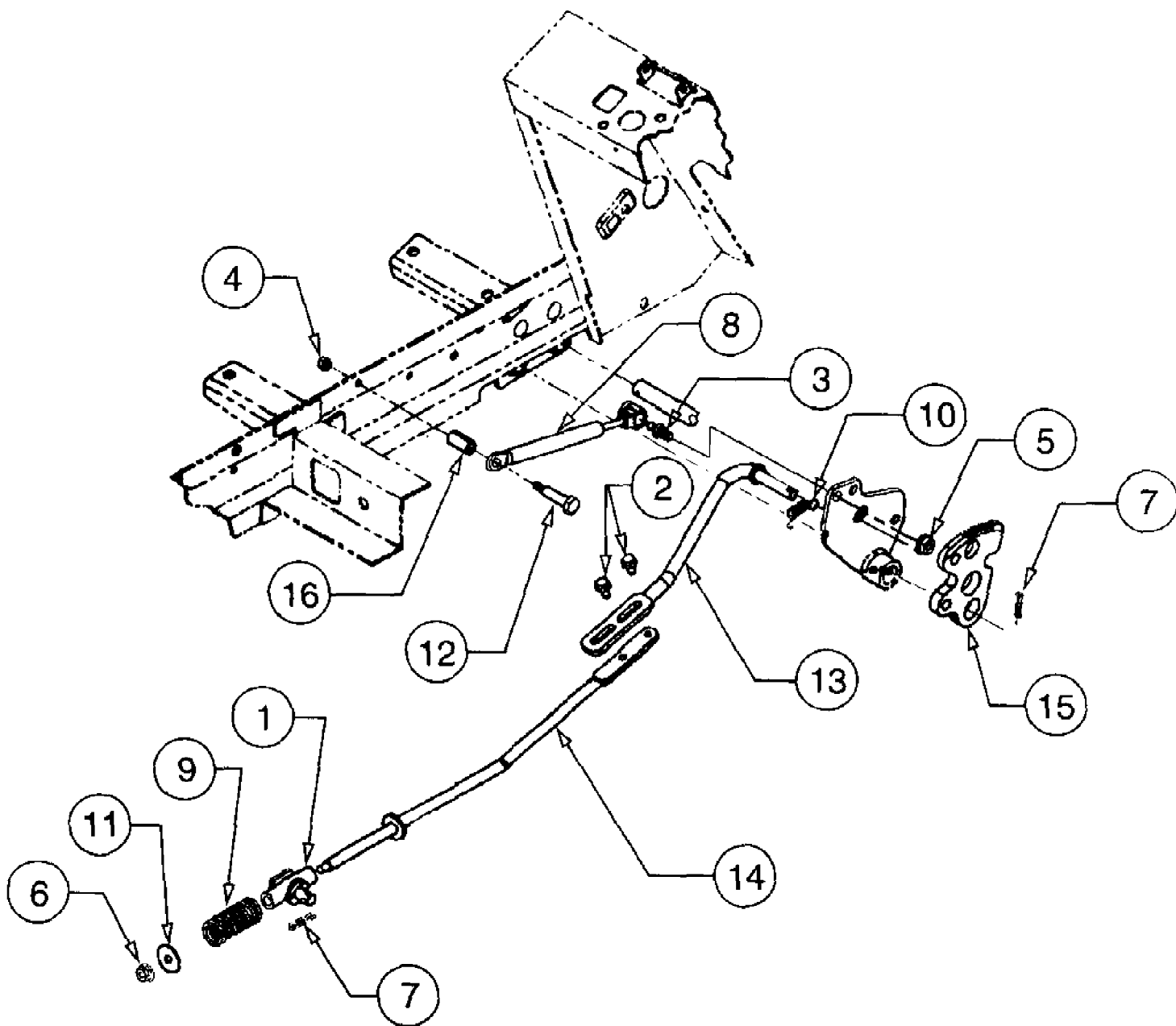




2135 Tractor S/N 326,006 & Up  
Transmission Controls Serial Number 359,000 And Below

Page 82 of 84

Ref #	Part Number	Qty	S/P/F	Description
1	603-0252	1		Bracket, Cruise Return
2	603-0272	1		Pivot Assy, Sleeve
3	631-0009	1	S	Knob, Shifter
4	703-2488	1		Bracket, Cruise Pivot
5	703-2635	1		Cam, Hydro Cruise
6	710-0262	1	/P	Bolt, Carriage, 5/16-18 x 1.5
7	710-0451	2	/P	Bolt, Carriage, 5/16-18 x .75
8	710-0599	1	/P	Screw, Hex Wash Hd Tapp 1/4-20 x .50
9	710-3170	1		Screw, Ball, 5/16-18
10	711-3397	1		Ferrule, Adjustment
11	712-0271	1	/P	Nut, Hex Sems, 1/4-20
12	712-3053	1	S	Nut, Hex Top Lock, 1/2-20
13	712-3001	1	S	Nut, Hex Jam, 3/8-24 GR5
14	712-3004A	5	/P	Nut, Hex Flange Lock, 5/16-18
15	712-3008	1	S	Nut, Hex Jam, 3/8-16 GR5
16	712-3027	1	S	Nut, Hex Flange Lock, 1/4-20
17	712-0333	1	S	Nut, Hex, 1/2-20
18	714-0104	3	S	Pin, Internal Cotter
19	723-3013	1	S	Washer, Friction
20	727-3090	1	/P	Cylinder, Damper
21	732-3094	1	S	Spring, Compression, .63 ID x 2.0
22	732-3118	1		Spring, Extension, .38 OD x 1.44
23	736-0185	1	S	Washer, Flat, .406 x .75 x .063
24	736-0262	2	/P	Washer, Flat, .375 x .870 x .090
25	736-0275	1	S	Washer, Flat, 5/16
26	736-3022	4	S	Washer, Bell
27	736-3092	1	/P	Washer, Flat, .265 x 1.0 x .03 Hdn
28	738-0140	1	S	Bolt, Shoulder, .437 Dia x .180 Lg
29	738-0560	1	S	Bolt, Shoulder, .347 Dia x 1.375
30	747-3234	1		Rod, Hydro Adjustment
31	747-3251	1		Rod, Shift
32	747-3252	1		Rod, Gear Selector
33	747-3257	1		Link, Front Hydro Shifter
34	747-3258	1		Link, Rear Hydro Shifter
35	748-3057	1		Bushing, Shoulder
36	748-3058	1	S	Hub, Shift
37	750-0252	1	S	Spacer, .377 ID x .50 OD x .830
38	750-0434	1	/P	Spacer, Tubing, .375 x .52 x 1.04



2135 Tractor S/N 326,006 & Up  
 Transmission Controls Serial Number 359,001 And Above

Ref #	Part Number	Qty	S/P/F	Description
1	603-0272	1		Pivot Assembly
2	710-0599	2	/P	Screw, Hex Wash Hd Tapp 1/4-20 x .5
3	710-3170	1		Screw, Ball, 5/16-18 x .56
4	712-0271	1	/P	Nut, Hex Sems, 1/4-20
5	712-3004A	1	/P	Nut, Hex Flange Lock, 5/16-18 GR5
6	712-3027	1	S	Nut, Hex Flange Lock, 1/4-20
7	714-0104	2	S	Pin, Internal Cotter
8	727-3090	1	/P	Cylinder, Damper
9	732-3094	1	S	Spring, Compression, .63 ID x 2.0 Lg
10	732-3118	1		Spring, Extension, 3/8 OD x 1.44
11	736-3092	1	/P	Washer, Flat, .265 x 1.0 x .030
12	738-0560	1	S	Bolt, Shoulder, .374 Dia x 1.375
13	747-3304	1		Rod, Front Control
14	747-3309	1		Rod, Rear Hydro Control
15	748-3070	1		Plate, Cruise
16	750-0434	1	/P	Spacer, Split Tubing, .375 ID x 1.04