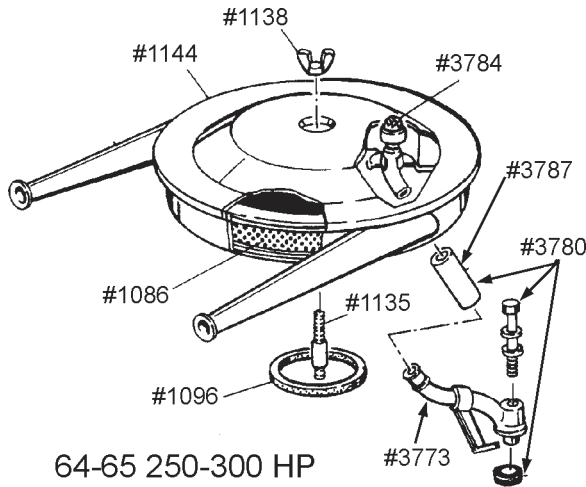
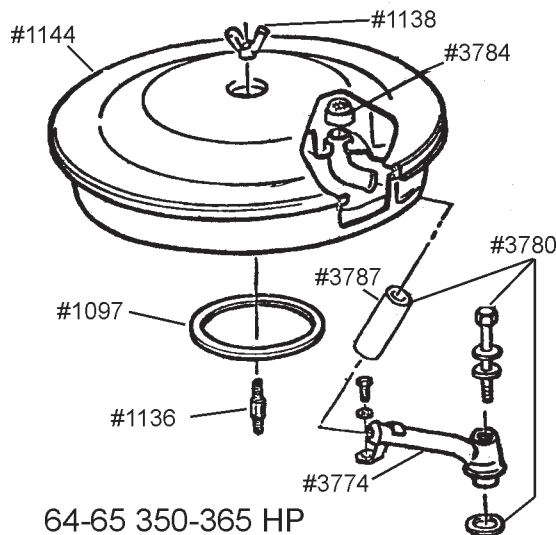


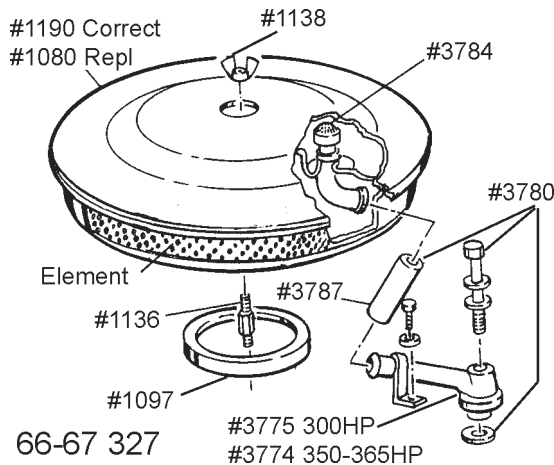
## AIR CLEANERS



64-65 250-300 HP



64-65 350-365 HP



66-67 327

### 63-65 327

1140	63	Dual Snorkel Air Cleaner w/Element 250 - 300 HP, No Air .....	299.00 ea
1141	63	Air Cleaner w/Element 340 HP .....	289.00 ea
1127	63	Air Cleaner w/Element 250-300HP w/Air ...	429.00 ea
1142	64-65	Dual Snorkel Air Cleaner w/Element 250 - 300 HP, No Air .....	309.00 ea
1143	64-65	Air Cleaner w/Element 350 -365 HP .....	289.00 ea
1124	64-65	Air Cleaner w/Element 250-300HP w/Air ...	429.00 ea
1144	63-64	Air Cleaner Chrome Top w/327 .....	99.00 ea
1086	63-65	Air Filter Element Assy. (Foam & Screen) ..	42.00 ea
1158	63-65	Air Filter Element - Foam Only .....	17.50 ea
1159	63-65	Air Filter Element - S.S. Screen Only .....	25.00 ea
1138	63-67	Air Cleaner Chrome Wing Nut .....	3.00 ea
1135	63-65	Air Cleaner Stud w/WCFB or AFB. ....	7.50 ea
1136	64-67	Air Cleaner Stud w/Holley Carb .....	5.50 ea
3784	64-67	Air Cleaner Flame Arrestor Screen (in air cleaner). ....	8.50 ea
3788	64-67	Flame Arrestor - Fits 64-65 FI, 67 w/3x2 ..	18.00 ea
1096	63-65	Air Cleaner to Carb Gasket w/WCFB or or AFB. ....	3.50 ea
1097	64-67	Air Cleaner to Carb Gasket w/Holley or Q-Jet. ....	3.00 ea
3772	63	Crankcase Vent Tube - ALL .....	18.00 ea
3778	63	Crankcase Vent Tube Hose & Grommet Kit (also fits early 64 FI) .....	11.00 kit
1023	63	Crankcase Vent HOSE Only .....	4.50 ea
3773	64-65	Crankcase Vent Tube w/250 - 300 HP .....	55.00 ea
3774	64-67	Crankcase Vent Tube w/350 - 365 HP .....	55.00 ea
3780	64-67	Vent Tube Hose & Bolt Kit .....	9.00 kit
3787	64-67	Vent Tube Hose Only - Vlv Cvr to A.C. ....	5.50 ea
3799	64-65	Vent Tube Attaching Stud 250-300HP .....	3.50 ea
1031	64-65	Vent Tube Bolt, Washer, Gasket & Stud Set 250, 300 HP .....	8.50 set
1048	64-65	Vent Tube Bolt, Washer, Gasket & Bolt Set 350, 365, 375 HP .....	5.50 set
3781	64-65	Crankcase Vent Tube w/FI .....	109.00 ea
3798	64-65	Crankcase Vent Tube Kit 327 FI (includes bolt attaching kit, 2 hoses, flame arrestor)24.00 kit	24.00 kit
10635	65	Air Cleaner Chrome Top w/Black Silk Screening .....	89.00 ea

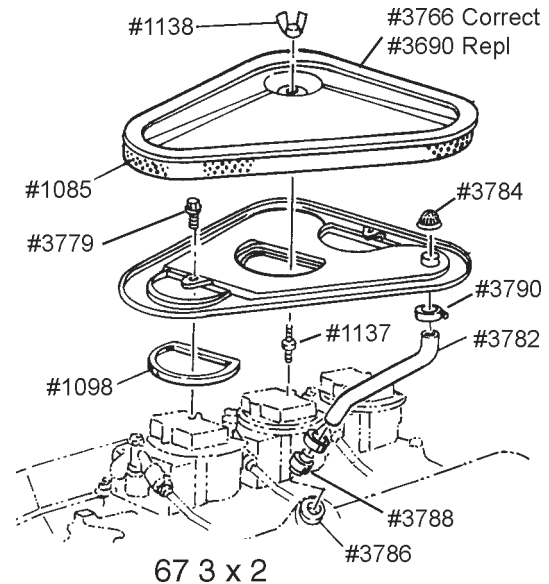
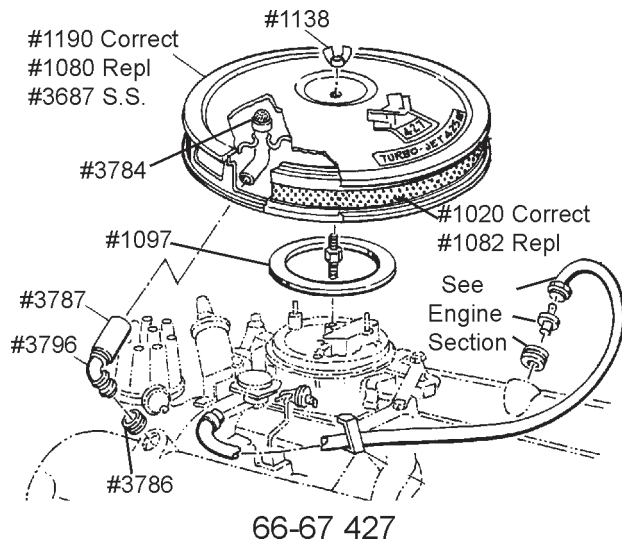
### 66-67 327

1049	66-67	Air Cleaner w/Element w/Silk Screened Instructions on Lid .....	169.00 ea
3758	66-67	Air Cleaner w/Replacement Element & <b>NO Silk Screened</b> Instr. on Lid .....	135.00 ea
1190	66-67	Air Cleaner Chrome Top w/Curved Silk Screened Instructions .....	69.00 ea
1080	66-67	Air Cleaner Chrome Top - NO Silk Screened Instructions .....	39.95 ea
3687	66-67	Air Cleaner Lid - Polished Stainless Steel .	95.00 ea
1020	65-67	Air Cleaner Element w/Correct Bias Cut Mesh - fits 66-67 327 .....	37.50 ea
1082	65-67	Air Cleaner Element - Replacement. ....	12.00 ea
1136	64-67	Air Cleaner Stud w/Holley. ....	5.50 ea
1138	63-67	Air Cleaner Chrome Wing Nut. ....	3.00 ea
3784	64-67	Air Cleaner Flame Arrestor Screen (in air cleaner). ....	8.50 ea
1097	64-67	Air Cleaner to Carb Gasket w/Holley or Q-Jet .....	3.00 ea
3775	66-67	Crankcase Vent Tube w/300 HP .....	55.00 ea
3774	64-67	Crankcase Vent Tube w/350 - 365 HP .....	55.00 ea
3780	64-67	Vent Tube Hose & Bolt Kit. ....	9.00 kit
3787	64-67	Vent Tube Hose Only - Vlv Cvr to AC. ....	5.50 ea
1048	66-67	Vent Tube Bolt, Washer, Gasket & Bolt Kit 300 - 350 HP .....	5.50 kit

Also See ENGINE & CARBURETOR Sections

PCV - See Engine Section

## AIR CLEANERS (Cont.)



### 65-67 396 - 427

3850	65	396 Air Cleaner Assembly w/Element (lid has white silk screened instructions as original) .....	179.00 ea
1145	65	Air Cleaner Top 396 - Black .....	79.00 ea
3789	65	396 Air Cleaner Wing Nut - Black .....	3.50 ea
3776	65	Crankcase Vent Tube w/396 .....	30.00 ea
3777	65	Crankcase Vent Tube Grommet w/396 .....	8.00 ea
1161	66-67	Air Cleaner Assy. w/Element 427 w/1X4 w/Silk Screened Instr. on Lid. ....	169.00 ea
1134	66-67	Air Cleaner Assy. w/Replacement Element 427 w/1x4 - NO Silk Screened Instructions on Lid. ....	119.00 ea
10576A	65-67	Air Cleaner Base Only - fits ALL 396 and 427-390 & 425 HP .....	67.00 ea
1190	66-67	Air Cleaner Chrome Top w/Curved Silk Screened Instructions .....	69.00 ea
1080	66-67	Air Cleaner Chrome Top - NO Silk Screened Instructions .....	39.95 ea
3687	66-67	Air Cleaner Lid - Polished Stainless Steel ..	95.00 ea
1020	65-67	Air Cleaner Element w/Correct Bias Cut Mesh 65 396, 66-67 427 .....	37.50 ea
1082	65-67	Air Cleaner Element - Replacement .....	12.00 ea
1136	64-67	Air Cleaner Stud w/Holley Carb .....	5.50 ea
1138	63-67	Air Cleaner Chrome Wing Nut .....	3.00 ea
3784	64-67	Air Cleaner Flame Arrestor Screen (in air cleaner) .....	8.50 ea
1097	64-67	Air Cleaner to Carb Gasket w/Holley or Q-Jet .....	3.00 ea
3787	64-67	Air Cleaner to Valve Cover Hose 396, 427 exc 3X2 .....	5.50 ea
3796	65-67	Air Cleaner to Valve Cover 90 Degree Elbow exc. 3x2. ....	12.00 ea
3786	65-67	Vent Tube Elbow Grommet in Valve Cover 65-67 RH Valve Cvr 396, 427 exc 3X2 67 LH Valve Cvr 427 w/3X2 .....	3.00 ea

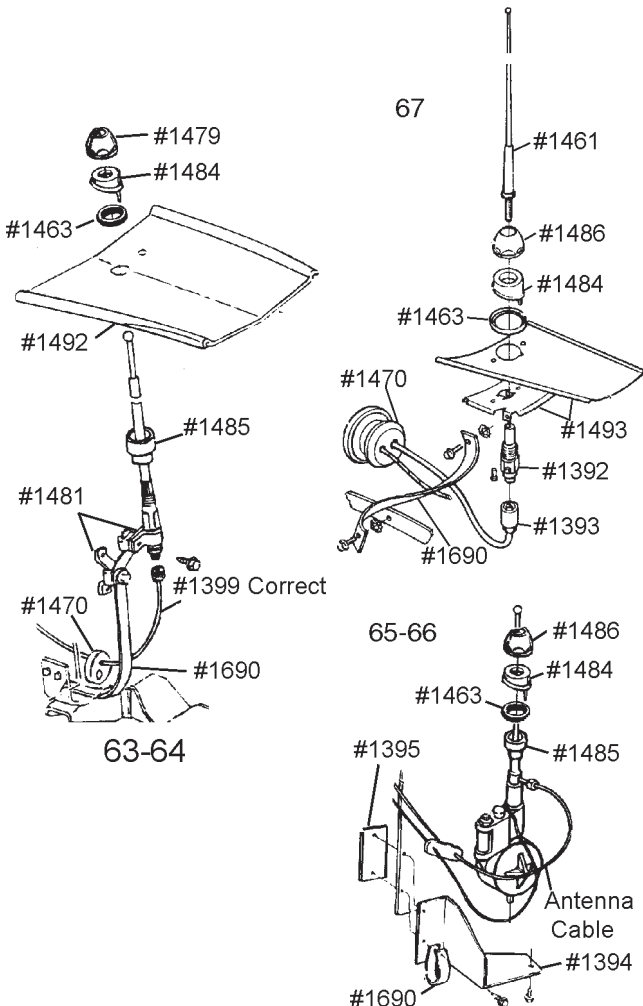
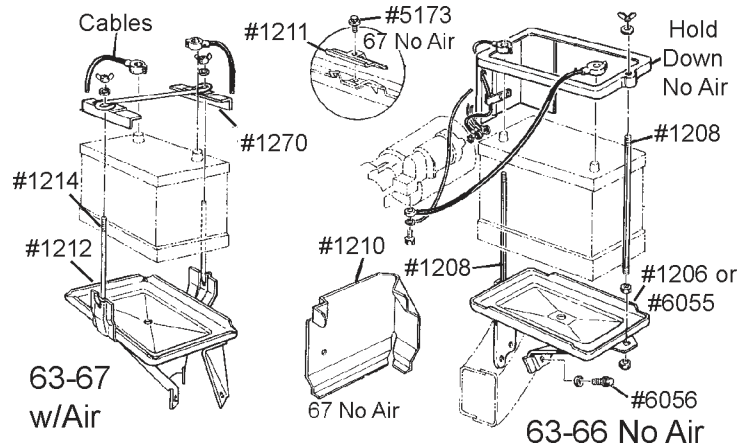
### 67 427 w/3X2

1160	67	3x2 Air Cleaner Assy. w/Element .....	465.00 ea
7738	67	3x2 Air Cleaner BASE Only .....	279.00 ea
3766	67	3x2 Air Cleaner Top w/Silk Screened Instructions in Lid .....	179.00 ea
3690	67	3x2 Air Cleaner Lid - NO Silk Screened Instructions in Lid - LIMITED SUPPLY .....	DISC
1098	67	Air Cleaner to Carb Gaskets w/3x2 (3 pcs) -	8.00 set
1137	67	Air Cleaner Stud w/3x2 .....	5.50 ea
1138	63-67	Air Cleaner Chrome Wing Nut. ....	3.00 ea
3779	67	Air Cleaner Base to Carb Bolts w/3X2 .....	5.50 pr
1085	67	Air Cleaner Element Assy. w/3x2 (Foam & Screen) .....	47.50 ea
1083	67	Air Cleaner Foam Only w/3x2. ....	23.00 ea
1084	67	Air Cleaner S.S. Screen Only w/3x2 .....	28.00 ea
3782	67	Air Cleaner to Valve Cover Hose w/3x2 ...	15.00 ea
3790	67	Air Cleaner to Valve Cover Hose Clamp w/3x2. ....	10.00 pr
3784	64-67	Air Cleaner Flame Arrestor Screen (in air cleaner) .....	8.50 ea
3788	67	Flame Arrestor - L.H. w/3x2. ....	18.00 ea
3786	65-67	Vent Tube Elbow Grommet in Valve Cover 67 LH Vlv Cvr .....	3.00 ea
3846	67	3x2 PCV Hose - Right Side of Intake to Right Valve Cover .....	8.50 ea
7743	64-67	PCV Hose Clamp - Black .....	1.00 ea

**Also See ENGINE (PCV) & Carburetor Sections for additional parts**

## ANTENNA

1384	65-66	Power Antenna Assy - less Cable .....	169.95 ea
1383	65-66	Concours Power Antenna - same as #1384 but with a S.S. polished mast - each mast section is grooved as original .....	184.95 ea
1394	65-66	Power Antenna Lower Mounting Bracket ...	16.00 ea
1682	65-66	Power Antenna Bracket Screw Set .....	2.50 set
1491	65-66	Power Antenna Switch .....	79.00 ea
8881	65-66	Power Antenna Switch Screws & Nuts .....	2.00 set
1395	65-66	Nut Plate - Power Antenna Mounting .....	8.00 ea
1498	63-64	Antenna Assembly Complete - less cable .	44.95 ea
1385	67	Antenna Assy. Less Cable - Complete w/Mast Nut, Spacers, Gasket and Metal Base ....	44.50 ea
1399	63-66	Antenna Cable w/Correct serrated nut .....	26.50 ea
1393	67	Antenna Cable. ....	32.50 ea
1249	63-67	Antenna Cable Underdash Clips .....	2.50 pr
1492	63-66	Underbody Antenna Ground Mount Plate ..	21.00 ea
1493	67	Underbody Antenna Ground Mount Plate ..	21.00 ea
1479	63-64	Antenna Chrome Nut .....	6.50 ea
1486	65-67	Antenna Chrome Nut .....	7.00 ea
1484	63-67	Antenna Mount Chrome Spacer - Correct ...	7.00 ea
1463	63-67	Antenna Mount Gasket .....	2.00 ea
1485	63-66	Underbody Antenna Mount Spacer .....	15.00 ea
1481	63-64	Antenna Lower Brackets, Clamps, Screw & Nut Kit .....	13.00 kit
1461	67	Antenna Mast w/Small Nut. ....	12.00 ea
1392	67	Antenna Base Thru Body. ....	25.00 ea
1690	63-67	Antenna Ground Strap .....	4.00 ea
1470	63-67	Rear Antenna Cable Grommet. ....	5.50 ea
1488	63-64	Antenna Spanner Nut Wrench .....	8.00 ea



## BATTERY TRAYS & PARTS

6051	63-65	Battery Tray Kit - No Air (Tray, Hold Down, Bolt Kit) - CORRECT (If you have a 63 please specify build date) .....	64.50 kit
6052	66	Battery Tray Kit - No Air (Tray, Hold Down, Bolt Kit) - CORRECT .....	64.50 kit
6053	67	Battery Tray Kit - No Air (Tray, Heat Shield, Clamp, & Bolt) - CORRECT .....	54.50 kit
6054	63-67	Battery Tray Kit - w/Air or 396 (Tray, Hold Down & Bolt Kit) - CORRECT .....	54.00 kit
1206	63-65	Battery Tray - No Air - RH Correct Repro.	38.00 ea
6055	66	Battery Tray - No Air - Correct Repro -RH.	38.00 ea
1219	63E	Battery Hold Down w/Shield - No Air Correct (before 2-22-63) .....	24.00 ea
1207	63L-66	Battery Hold Down w/Shield - No Air Correct (after 2-22-63).....	24.00 ea
1208	63-66	Battery Hold Down Bolt Kit - No Air Correct .....	8.00 ea
1209	67	Battery Tray - No Air - Correct Repro - RH	38.00 ea
1210	67	Battery Heat Shield - No Air.....	17.00 ea
1211	67	Battery Hold Down Clamp - No Air .....	4.00 ea
5173	67	Battery Hold Down Clamp Bolt .....	1.25 ea
1212	63-67	Battery Tray w/Air or 396 L.H. Side, Correct .....	38.00 ea
1270	63-67	Battery Hold Down w/Air or 396 - Correct .	15.00 ea
1214	63-67	Battery Hold Down Bolt Kit w/Air .....	9.00 set
6056	63-67	Battery Tray Mtg. Bolts - No Air (4 pc) .....	4.50 set
6057	63-67	Battery Tray Mtg. Bolts - w/Air (6 pc). ....	6.50 set
1198	63E	Battery Hold Down Spacers (4 pc) .....	3.50 set
1041	63-67	Battery Terminal Felts .....	3.00 pr
9323	63-67	Air Cond or 396 Battery Access Cover - Fiberglass .....	105.00 ea
8700	63-67	Battery Access Cover Bolts - Correct (6)	10.00 set
8755	63-67	Battery Access Cover Lower Bolts (2 req) .....	.75 ea
8701	63-67	Battery Access Cover T-Nuts & Rivets .....	9.00 set
1043	63-67	Air Cond. Battery Access Cover Gasket .....	4.00 ea

## Battery Cables

1052	63	Battery Cables w/Air .....	65.00 pr
1053	63-65	Small Block w/o Air Spring Ring Cables ....	65.00 pr
1054	64-65	Small Block w/Air Spring Ring Cables .....	65.00 pr
1055	65	396 Spring Ring Cables .....	65.00 pr
1056	66-67	All Engines w/Air Spring Ring Cables .....	65.00 pr
1057	66-67	Sm. Block w/o Air Spring Ring Cables .....	65.00 pr
1058	66-67	Big Block w/o Air Spring Ring Cables .....	65.00 pr
1912	63-66	Battery Cable to Heat Shield Tie Strap .....	1.50 ea

6636	All	Top Post Battery Disconnect Switch .....	9.95 ea
------	-----	--	---------

**BODY MOUNTING KITS & FRAME**

**Body Mount Kits w/Original Rubber Cushions**

Kits Include all Cushions, Spacers, Shims, Nuts, Washer and Bolts as Required.

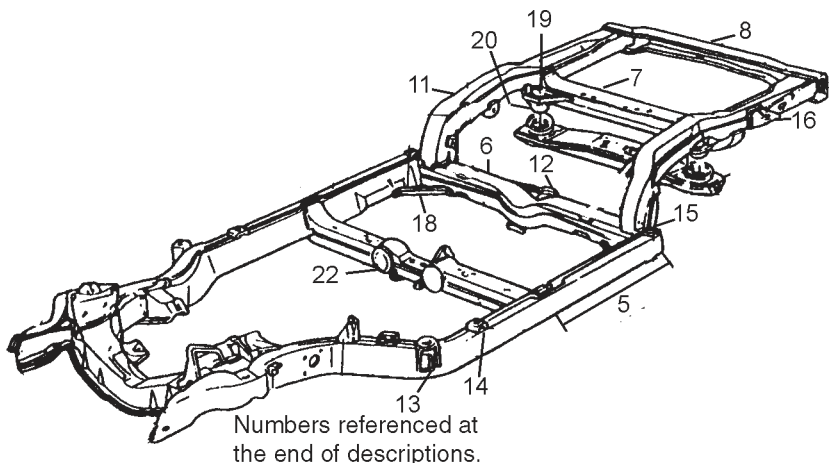
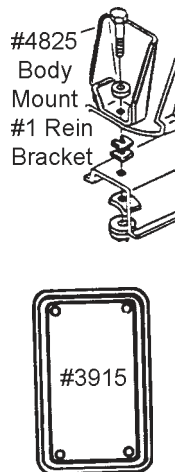
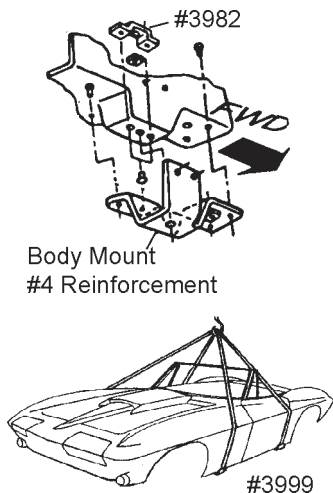
3903	63	Body Mounting Kit Complete (Coupe or Conv.)	75.00 kit
3904	64	Body Mounting Kit Complete (Coupe)	85.00 kit
3905	64	Body Mounting Kit Complete ( Conv.)	85.00 kit
3742	64L	Body Mount Kit <b>Add-On Kit</b> (after 4-21-64)	18.00 set
3906	65-67	Body Mounting Kit Complete (Coupe)	85.00 kit
3907	65-67	Body Mounting Kit Complete ( Conv.)	85.00 kit
3922	64-67	Body Mount Upper & Lower Cushions with Metal Retainer	12.50 ea
4907	64-67	Aluminum Body Mount Spacer - Conv #1	5.00 ea
5996	63-67	Body Mount Square Shim - Plated	1.75 ea
4909	63-67	Body Mount U-Shape Shim	1.50 ea

**Body Mount Reinforcement Bracket**

4825	63-67	Body Mount #1 Rein Bracket - ALL	22.00 ea
3965	63	Body Mount #4 Rein., All - Lt	22.00 ea
3966	63	Body Mount #4 Rein., All - Rt	22.00 ea
3967	64-67	Body Mount #4 Rein., Coupe - Lt	22.00 ea
3968	64-67	Body Mount #4 Rein., Coupe - Rt	22.00 ea
3969	64	Body Mount #4 Rein., Conv - Lt	22.00 ea
3970	64	Body Mount #4 Rein., Conv - Rt	22.00 ea
3971	65-67	Body Mount #4 Rein., Conv - Lt	22.00 ea
3972	65-67	Body Mount #4 Rein., Conv - Rt	22.00 ea
5999	63-67	Body Assembly Rivets - 1/2" diameter large flat head Alum 5/8" long (25 pcs)	4.00 set
6033	63-67	Body Assembly Rivets - 1/2" diameter large flat head Alum 7/16" long (25 pcs)	4.00 set
3973	63-67	Rear Valence Panel Rivet (25)	4.00 set
3915	63-67	#3 Rear Body Mount Access Cover, By Rear Wheel	7.50 ea
8628	63-67	#3 Rear Body Mount Access Cover Screws with Lockwashers	6.50 set
4910	63-67	#3 Rear Body Mount Access Cover "U"-Nut Set (8 pcs)	2.50 set

**Frame Repair Sections**

3976_	63-64	23" Frame Repair Section in Front of Rear Wheels - Specify Lt or Rt. (#5)	125.00 ea
10398_	65-67	23" Frame Repair Section in Front of Rear Wheels - Specify Lt or Rt (#5)	125.00 ea
3977_	63-64	48" Frame Repair Section in Front of Rear Wheels - Specify Lt or Rt (#5)	175.00 ea
10399_	65-67	48" Frame Repair Section in Front or Rear Wheels - Specify Lt or Rt (#5)	175.00 ea



**Frame Parts & Body Mount Brackets**

3978	63-67	#3 Frame Crossmember w/Differential Bracket in Front of Rear Wheels. (#6)	345.00 ea
3979	63-67	Frame Crossmember Over Rear Axle (#7)	209.00 ea
4041	63-67	Frame Rear Crossmember. (#8)	159.00 ea
3983_	63-64	Rear Frame Kick-Up Assy. w/Brackets Specify Lt or Rt. (#11)	520.00 ea
10400_	65-67	Rear Frame Kick-Up Assy w/Brackets Specify Lt or Rt. (#11)	520.00 ea
3984	63-67	Rear End Carrier Bracket (Welds To #3 Crossmember). (#12)	59.00 ea
3942_	63	#1 Body Mount Brkt on Frame (specify Lt or Rt). (#13)	49.00 ea
3943_	64-67	#1 Body Mount Brkt on Frame (specify Lt or Rt). (#13)	40.00 ea
3985	63	#2 Body Mount on Frame w/Cage & Nut (#14)	45.00 ea
3986	63	#3 Body Mount on Frame w/Cage & Nut (#15)	45.00 ea
3987	64-67	#2 or #3 Body Mount on Frame w/Cage & Nut - #2 used on CONV Only (#14 or #15)	30.00 ea
3998	63-67	Body Mount Cage w/nut Only for Mounts #2 and #3	13.50 ea
3980	63	#4 Body Mount Bracket on Frame - Near Rear Axle. (#16)	40.00 ea
3988	64-67	#4 Body Mount Bracket on Frame Near Rear Axle. (#16)	40.00 ea
3982w	63-67	#4 Body Mount Cage w/Nut	11.00 ea
3849_	64L	Gusset Below #3 Body Mount Specify Lt or Rt. (#18)	28.00 ea
3989_	65-67	Gusset Below #3 Body Mount Specify Lt or Rt. (#18)	22.00 ea
3990_	63-67E	Frame Gusset for Removable Crossmember Specify Lt or Rt. (#19)	27.00 ea
3974_	67L	Frame Gusset for Removable Crossmember Specify Lt or Rt. (#19)	40.00 ea
3991	63-67	Sombrero - Welds to Gusset of Removable Crossmember. (#20)	38.00 ea
3957_	63-64	Body Mount Brkt w/cage & nut on #3 crossmember (specify Lt or Rt).	22.00 ea
3964	63-67	Crossmember Under Transmission. (#22)	389.00 ea

**3999 63-67 Body Lift Sling Kit ..... 79.00 ea ND**

Best on the market - completely adjustable does not require an unusually high ceiling height like others on the market.

## BRAKES

### Brake Line Sets - Steel

**Brake Line Sets do not include Rubber Brake Hoses - They can be included for an extra \$ 30.00 - just add an "H" to the part number.**

4452	63-64	Std. Steel Lines - Full Car Set .....	109.00 set
4453	63-64	Pwr Brake Lines - Full Car Set .....	109.00 set
4454	65	Std. Steel Lines - Full Car Set .....	109.00 set
4455	65	Pwr Brake 3/16" Steel Lines - Full Car Set	109.00 set
4456	65-66	Pwr Brake 1/4" Steel Lines - Full Car Set	109.00 set
4457	66	Std. Steel Lines - Full Car Set .....	109.00 set
4458	67	Std. Steel Lines - Full Car Set .....	119.00 set
4459	67	Pwr. Steel Lines - Full Car Set .....	119.00 set

### Brake Line Sets - Stainless Steel

Sets include Stainless Steel Armor and Plated Steel Nuts.

**Brake Line Sets do not include Rubber Brake Hoses - They can be included for an extra \$ 30.00 - just add an "H" to the part number.**

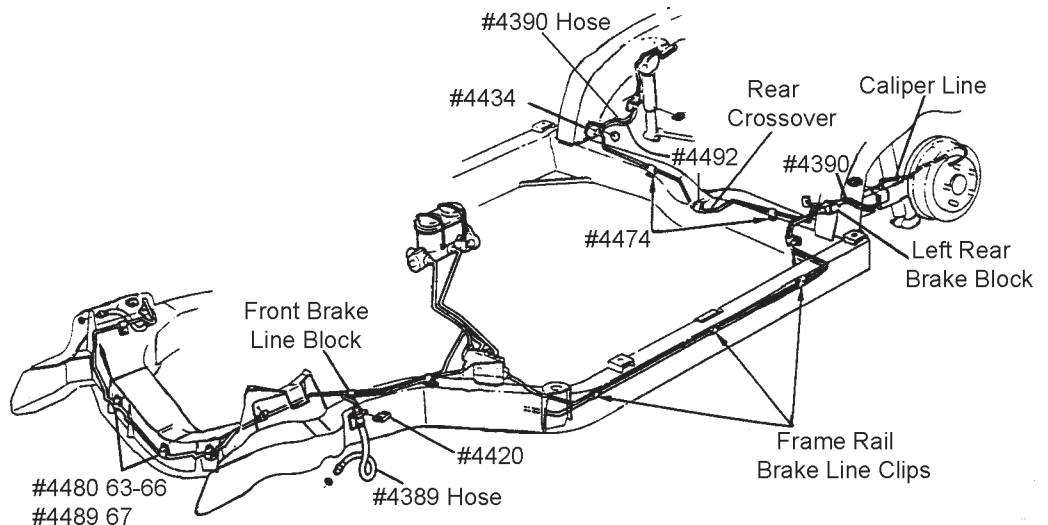
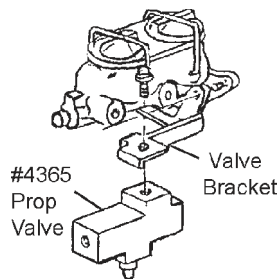
8452	63-64	Std. Stainless Steel Lines - Car Set .....	135.00 set
8453	63-64	Pwr Brake Stainless Steel Lines - Full Car Set .....	135.00 set
8454	65	Std. Stainless Steel Lines - Full Car Set .....	135.00 set
8455	65	Pwr 3/16" Brake Stainless Steel Lines - Full Car Set .....	135.00 set
8456	65-66	Pwr 1/4" Brake Stainless Steel Lines - Full Car Set .....	135.00 set
8457	66	Std. Stainless Steel Lines - Full Car set .....	135.00 set
8458	67	Std. Stainless Steel Lines - Full Car Set .....	149.00 set
8459	67	Pwr Brake Stainless Steel Lines -Car Set .....	149.00 set

### Brake Lines - Individual

8328	65-67	Rear S.S. Caliper Line - Lt .....	14.00 ea
8329	65-67	Rear S.S. Caliper Line - Rt .....	14.00 ea
8330	63-67	Rear S.S. Crossover Line .....	24.00 ea
6328	65-67	Rear Steel Caliper Line - Lt .....	10.50 ea
6329	65-67	Rear Steel Caliper Line - Rt .....	10.50 ea
6308	63-67	Lt Front Steel Line , Block to Rubber Hose	9.50 ea
6309	63-67	Front Steel Crossover Line .....	28.00 ea
6330	63-67	Rear Steel Crossover Line .....	17.00 ea

### Brake Proportioning Valve & Bracket

4365	67	Brake Proportioning Valve - with low fluid warning switch - exact steel repro .....	92.50 ea
4375	67	Brake Proportioning Valve Bracket .....	27.50 ea



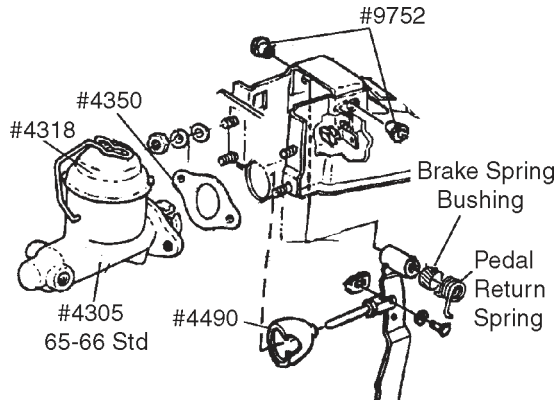
### Brake Line Connector Blocks

4428	63-65	Brake Line Brass Connector Block - Front 63-64 All, 65 w/o Power Brake) .....	22.00 ea
4429	65-66	Brake Line Brass Connector Block - Front w/Pwr Brake .....	22.00 ea
4430	65	Brake Line Brass Connector Block - Front 3/16" Line w/Pwr Brake .....	22.00 ea
4431	66	Brake Line Brass Connector Block - Front w/o Pwr Brake .....	22.00 ea
4429	67	Brake Line Brass Connector Block - Front w/ and w/o Pwr Brake .....	22.00 ea
4432	63-65	Brake Line Brass Conn. Block, Rear - Lt Fits all 63-64 & 65 w/Pwr Brk 3/16" Line & 65 w/Std Brake .....	22.00ea
4433	65-67	Brake Line Brass Conn. Block, Rear - Lt Fits 65 w/Pwr Brk 1/4" line & all 66-67 ....	16.00 ea
4434	63-67	Brake Line Brass Conn Block, Rear -Rt ...	12.00 ea

### Brake Hoses, Clips & Bolts

9032	63-67	<b>Brake Hoses, Clips and Washers Set 4 Hoses, 6 Clips, 2 Washers .....</b>	<b>44.95 set</b>
4389	63-67	Front Rubber Brake Hose - 2 req .....	12.00 ea
4390	63-67	Rear Rubber Brake Hose - 2 req .....	12.00 ea
4437	63-67	<b>Braided Stainless Brake Hose Set (4) ...</b>	<b>75.00 set ND</b>
4435	63-67	Copper Washer for Brake Hose .....	1.00 ea
4420	63-67	Brake Hose "U" Clip - Zinc .....	1.00 ea
10035	63-67	Brake Hose "U" Clip - Stainless Steel .....	1.50 ea
4474	63-67	Rivet on Brake Line Clip - Green Finish (2-4 req.) .....	9.00 ea
4422	63-65	Brake Line Clip Along Frame Side Rail-Repl .	2.00 ea
4423	63-65	Brake Line Clip Along Frame Side Rail Original. ....	3.50 ea
4875	66-67	Brake Line Clip Along Frame Side Rail .....	1.50 ea
4480	63-66	Front Crossover Brake Line Clip .....	4.00 ea
4492	63-67	Rear Crossover Brake Line Clip .....	3.50 ea
4489	67	Front Crossover Line Clip. ....	2.50 pr
4473	67	Brake Line Front Crossover Screws .....	2.00 pr
4482	63-65	Brake & Fuel Line Clips .....	19.00 set
4483	66	Brake & Fuel Line Clips .....	14.00 set
4484	67	Brake & Fuel Line Clips .....	13.00 set
<b>#4482, #4483, #4484 Clip Sets do not include #4474</b>			
4493	63-65	Brake Line Clip & Bolt Set - Correct .....	42.00 set
4494	66	Brake Line Clip & Bolt Set - Correct .....	34.00 set
4496	67	Brake Line Clip & Bolt Set - Correct .....	27.00 set
4497	66-67	Brake Line Clip Screw for Side Clips and Front Block .....	1.00 ea
6331	63-67	Clip - Holds front and rear lines together before master cylinder (63 Z06, 64 J56, 65-66 Pwr Brk, 67 All). ....	4.50 ea

**BRAKE(cont.)**



**Master Cylinder & Power Brake Booster**

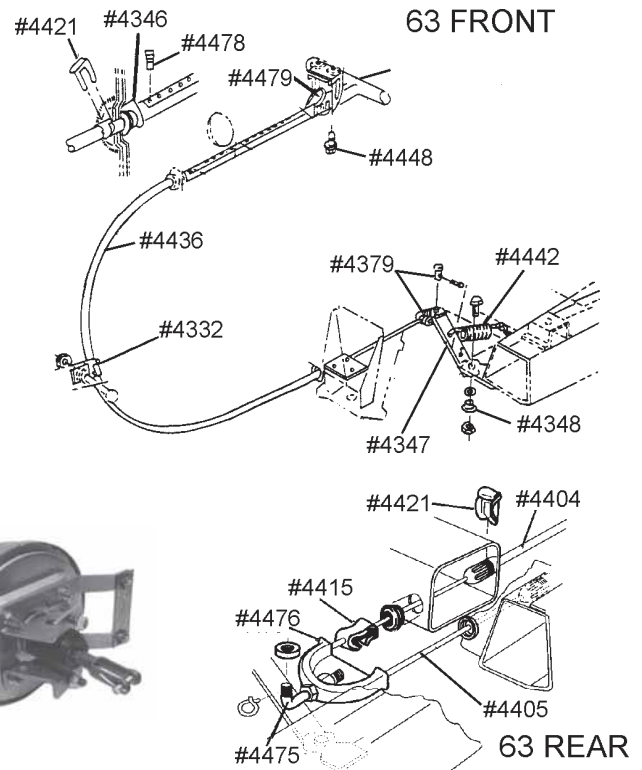
4322	63-64	Master Cylinder (Std or P/B) - Repl - New	84.95 ea
4305	65-66	Master Cylinder (Std.) includes correct cap and bails	79.95 ea
4307	67	Dual Master Cylinder - Std	75.00 ea
4308	67	Dual Master Cylinder w/PB	75.00 ea
4311	63-64	Master Cylinder Rebuild Kit - ALL	24.00 kit
4315	65-66	Std Master Cylinder Rebuild Kit	24.00 kit
4323	65-66	P/B Master Cylinder Rebuild Kit - includes Front & Rear Pistons & Springs	52.00 kit ND
4316	67	Std or PB Master Cylinder Rebuild Kit all except J-56	29.00 kit
4317	67	Master Cylinder Rebuild Kit w/J-56	29.00 kit
4318	65-66	Std. Master Cylinder Cap	24.00 ea
4319	65-66	Std. Master Cylinder Cap Gasket	17.00 ea
4477	65-66	P/B Master Cylinder Cap - Repro	36.00 pr
4350	63-67	Master Cyl. to Firewall Gasket - Std	2.50 ea
4368	67	Master Cylinder Cap, Bails and Gasket (Vented) - <b>CORRECT</b>	31.00 set
4357	67	Master Cylinder Cap w/Bails - <b>CHROME</b>	19.95 ea
4341	67	Master Cylinder Cap Bails	6.00 pr
4352	67	Master Cylinder Cap Gasket	6.00 ea
4890	63	Master Cyl Cover, Cap & Washer	26.00 ea
4196	63	Master Cylinder Cover Gasket	4.00 ea
4891	64	Master Cyl Cap, Bail & Seal (stamped "use Delco Brake Fluid")	33.00 ea
4197	64	Master Cylinder Cover Gasket	12.00 ea
4490	63-67	Master Cyl. Rod Boot w/o PB	7.50 ea
4353	63	Power Brake Booster	.CALL
<b>4354</b>	<b>64-67</b>	<b>Power Brake Booster - NEW</b>	<b>329.00 ea</b>
4441	63-67	Power Brake Booster Mounting Plate, Bolts & Rivets	12.50 set
4419	64-67	Check Valve w/Grommet for PB Booster	9.50 ea
10436	64-67	Power Brake Booster Boot (between firewall and booster - plastic)	11.50 ea
10437	63-67	Power Brake Booster Upper Bolts (anchor)	5.50 pr
4440	63	P/B Hose Bracket on Intake exc. FI	13.00 ea
4358	63	Power Brake Hose w/Clips	8.50 set
6332	64-67	Power Brake Hose w/Clips (exc 3X2)	4.50 set
6333	67	Power Brake Hose w/Clips (with 3X2)	4.50 set

**Wheel Cylinders, Brake Shoes & Misc**

4362	63-66	Brake Pedal Return Spring	5.50 ea
4363	67	Brake Pedal Return Spring	5.50 ea
4876	63-66	Brake Spring Bushing	4.50 ea
4877	67	Brake Spring Bushing	3.00 ea
9752	63-67	Brake & Clutch Pedal Pivot Bushings (4pc)	4.50 set
1220	63-67	Brake & Clutch Pedal Bumper	3.00 ea
4335	63-65	Front Wheel Cylinder, Std. Brakes - Lt	32.00 ea
4336	63-65	Front Wheel Cylinder, Std. Brakes - Rt	32.00 ea
4325	63-65	Rear Wheel Cylinder, Std Brakes - Lt	26.00 ea
4326	63-65	Rear Wheel Cylinder, Std Brakes - Rt	26.00 ea

**Wheel Cylinders, Brake Shoes (continued)**

4364	63-64	Front Brake Shoes, Std. (Car Set)	29.50 ea
4360	63-64	Rear Brake Shoes, Std. (Car Set)	29.50 ea
4355	64	Brake Drum Spring - Round Wire Type	11.50 ea
<b>4823</b>	<b>63-65</b>	<b>Front Brake Shoe Spring Kit - includes return springs, adjuster springs &amp; hold down springs, pins and clips (one axle set)</b>	<b>15.95 set</b>
<b>4824</b>	<b>63-65</b>	<b>Rear Brake Shoe Spring Kit - includes return springs, adjuster springs &amp; hold down springs, pins and clips (one axle set)</b>	<b>15.95 set</b>
4831	63-64	Rear Brake Shoe Spreader Bars	28.00 pr
4384	63-64	Brake Shoe to Wheel Cylinder Link	4.00 ea
4381	63-64	Adjuster, Star Wheel, Lever and Spring Kit - Lt	24.95 ea
4382	63-64	Adjuster, Star Wheel, Lever and Spring Kit - Rt	24.95 ea
<b>4836</b>	<b>63-64</b>	<b>Parking Brake Levers w/Pins and Clips</b>	<b>42.00 pr</b>



**63 Parking Brake**

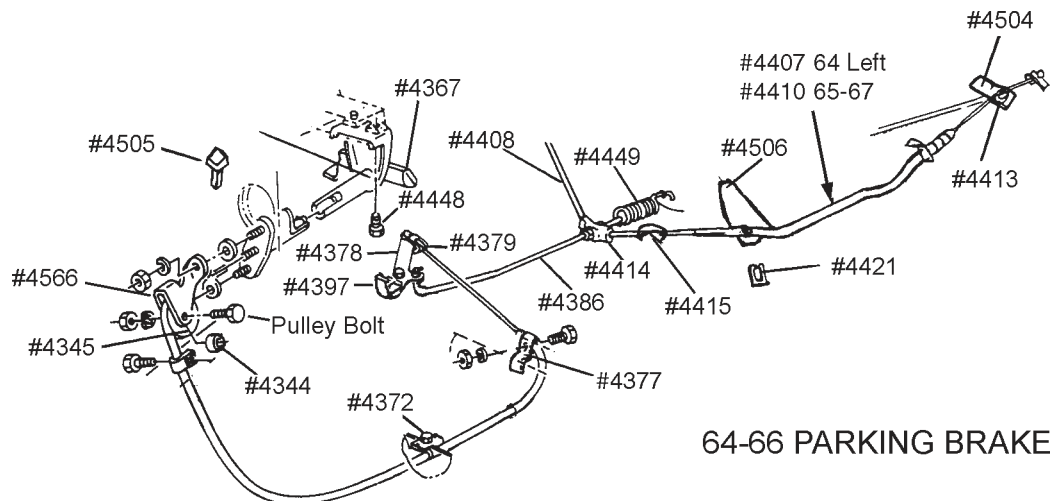
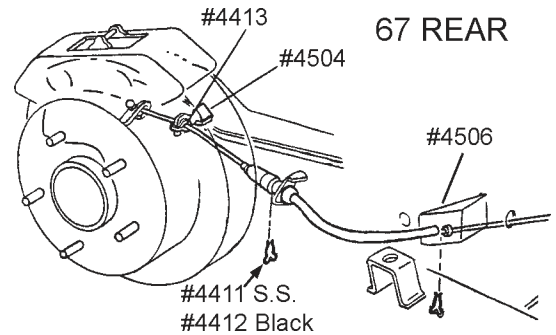
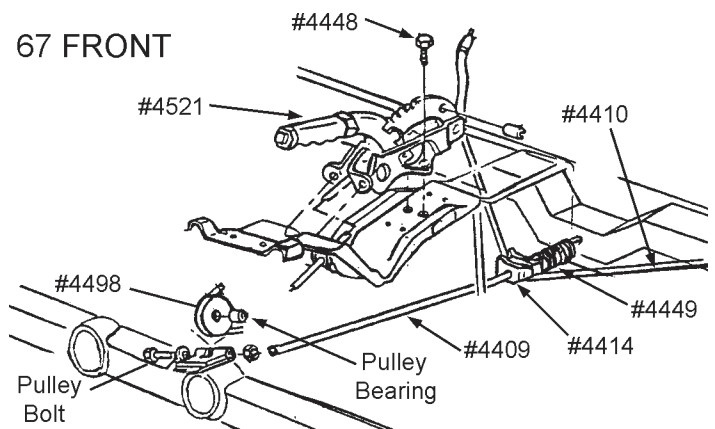
4342	63	Parking Brake Handle	36.00 ea
4448	63-67	Parking Brake Handle Mounting Bolts	1.75 pr
4421	63	"U" Clip for Brake Cable	1.60 ea
4436	63	Front Parking Brake Cable	.CALL for Price
4405	63	Rear Parking Brake Cable - Lt	37.50 ea
4404	63	Rear Parking Brake Cable - Rt	55.00 ea
4475	63	Parking Brake Cable "J" Bolt Rod	13.00 set
4442	63	Parking Brake Return Spring	5.75 ea
4476	63	Parking Brake Equalizer	22.00 ea
4479	63	Pkg. Brake Handle Spring & Pawl Kit	8.50 set
4478	63	Parking Brake Handle Stop Pin	5.50 ea
4332	63	Parking Brake Cable Clamp	2.25 ea
4346	63	Parking Brake Cable Retainer Clip	3.75 ea
4347	63	Parking Brake Lever	21.00 ea
4348	63	Parking Brake Lever Bushing	3.75 ea
4415	63-64	Connector - Parking Brake Cables	7.00 ea
4379	63-66	Parking Brake Clevis & Clevis Pin	6.50 ea

## BRAKE (cont.)

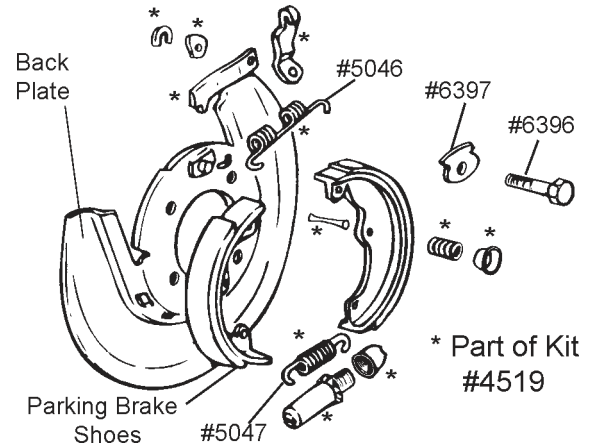
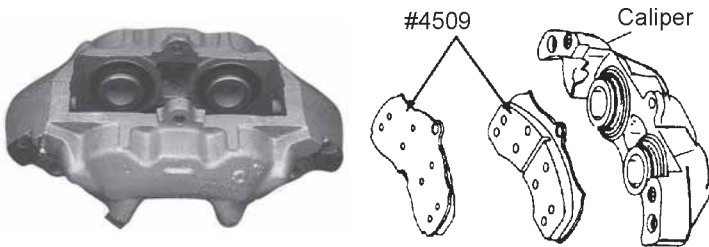
### 64-67 Parking Brake (cont.)

4367	64-66	Parking Brake Handle .....	36.00 ea	4520	65-67	Parking Brake Shoes (2 Wheels) .....	47.00 set
4448	63-67	Parking Brake Handle Mounting Bolts .....	1.75 pr	4525	65-67	Parking Brake Shoes - Stainless Steel .....	85.00 set
4505	64-66	Parking Brake Handle Stop Pin .....	5.50 ea	4519	65-67	Stainless Steel Parking Brake Kit (does both sides) .....	57.00 kit
4349	64-66	Pkg.Brake Handle Spring & Pawl Kit .....	8.50 set	4510	65-67	Parking Brake Tool - allows installation of brake shoes & rebuilding kit much easier ..	7.95 ea
4406	64-66	Front Parking Brake Cable .....	37.50 ea	3538	63-66	Parking Brake Light Switch .....	8.95 ea
4407	64	Rear Parking Brake Cable - Lt .....	35.00 ea				
4408	64	Rear Parking Brake Cable - Rt .....	45.00 ea				
4421	63-66	"U" Clip - Brake Cable .....	1.60 ea				
4345	64-66	Parking Brake Nylon Pulley .....	16.00 ea				
4912	64-66	Parking Brake Pulley Bolt w/Nut & LW Set .....	1.50 ea				
4566	64-66	Pkg Brake Pulley Bracket .....	22.00 ea				
4344	64-66	Parking Brake Pulley Bearing .....	4.00 ea				
4415	63-65	Connector - Parking Brake Cables (drum brakes) .....	7.00 ea				
4372	64-66	Cable "T" Bolt - parking brake to floor pan ...	6.50 ea				
4377	64-66	Pkg Brake Cable Clamp, weld to frame .....	8.00 ea				
4378	64-66	Parking Brake Lever .....	16.00 ea				
4379	63-66	Parking Brake Clevis & Clevis Pin .....	6.50 ea				
4386	64-66	Parking Brake Rod, Clip & Nut Set .....	21.00 ea				
4387	64-66	Parking Brake Lever Bushing .....	4.00 ea				
4397	64-66	Parking Brake Pivot Bracket .....	13.50 ea				
4449	64-67	Parking Brake Return Spring .....	5.50 ea				
4414	64-67	Parking Brake Cable Equalizer .....	4.00 ea				
4413	65-67	Cable Guide on Trailing Arm .....	1.50 ea				
4409	67	Front Parking Brake Cable - US Made .....	21.00 ea				
4401	65-67	Rear Parking Brake Cable - Stainless Steel (does both sides) .....	49.00 ea				
10053	65-67	Parking Brake Cable Boots - Rear w/Ribs (2 Boots) .....	22.00 pr				
4506	64-67	Cable Brackets on Frame (Weld On) .....	17.00 pr				
4504	65-67	Cable Brackets on Trailing Arm .....	13.00 pr				
4498	67	Front Pkg. Brake Cable Nylon Pulley .....	11.00 ea				
4915	67	Parking Brake Pulley Bolt, Washer & Nut ...	1.75 set				
4914	67	Frt Parking Brake Pulley Bearing .....	3.50 ea				
4314	67	Pkg Brk Pulley Bracket - weld to frame .....	26.00 ea				
4411	67	Parking Brake "Mickey Mouse" Cable Clip - Stainless Steel .....	1.50 ea				
4412	67	Parking Brake "Mickey Mouse" Cable Clip - Black Oxide .....	1.00 ea				
4521	67	Parking Brake Handle & Lever (Replacement Grip - not exact) .....	92.00 ea				
10529	67	Parking Brake Handle Only - Correct .....	149.00 ea				

**10288 67 Parking Brake Cable Kit - includes front and rear cables, clips (4), guides (2) ..... 64.95 kit ND**



**65-67 STAINLESS STEEL SLEEVED CALIPERS**



- \* Stainless Steel Sleeves
- \* Fully Assembled & Pressure Tested
- \* New Delco Pistons
- \* New Seals
- \* New Bleeder Screws & Pad Pins
- \* New S.S. Springs
- \* Lifetime Manufacturer's Warranty (except Seals)



**NEW CALIPERS**

New Brake Calipers with Stainless Steel Sleeves  
 - No Core Required  
 - Brand New Castings approved and licensed by GM with the Delco Moraine Logo

<b>10115</b>	<b>65-67</b>	<b>Full Set of (4) New Brake Calipers, Brake Pads and One Quart of Silicone Fluid . 499.00 set ND</b>
10116	65-67	New Front Caliper - Lt ..... 139.00 ea
10117	65-67	New Front Caliper - Rt ..... 139.00 ea
10118	65-67	New Rear Caliper - Lt ..... 139.00 ea
10119	65-67	New Rear Caliper - Rt ..... 139.00 ea

**REBUILT CALIPERS**

Rebuilt Brake Calipers with Stainless Steel Sleeves  
 - we only use original Delco Moraine castings  
 - a \$50.00 CORE CHARGE per caliper is added to price and is refunded upon return of rebuildable cores

<b>4499</b>	<b>65-67</b>	<b>Full Set of (4) Rebuilt Brake Calipers, Brake Pads and One Quart of Silicone Fluid ..... 359.00 set ND</b>
4500	65-67	Rebuilt Front Caliper - Lt ..... 89.00 ea
4501	65-67	Rebuilt Front Caliper - Rt ..... 89.00 ea
4502	65-67	Rebuilt Rear Caliper - Lt ..... 89.00 ea
4503	65-67	Rebuilt Rear Caliper - Rt ..... 89.00 ea
4509	65-67	Disc Brake Pads (2 Wheels) ..... 15.00 set
4518	ALL	Silicone Brake Fluid - Quart ..... 17.95 Qt
4524	65-67	Caliper Mtg. Bolts w/lockwashers (8) ..... 9.00 set
7130	65-67	Brake Pad Installation Clip Tool-set of 2 ... 12.95 set
9032	63-67	Brake Hose Kit - 4 hoses, 6 clips and 2 washers ..... 44.95 set

**DISC BRAKE & CALIPER COMPONENTS**

4509	65-67	Disc Brake Pads (2 Wheels) ..... 15.00 set
4518	ALL	Silicone Brake Fluid - Quart ..... 17.95 Qt
4524	65-67	Caliper Mtg. Bolts w/lockwashers (8) ..... 9.00 set
7130	65-67	Brake Pad Installation Clip Tool-set of 2 (does one caliper - 2 sets of pads) ..... 12.95 pr
4515	65-67	Front Caliper Seal Kit ..... 13.00 kit
4516	65-67	Rear Caliper Seal Kit ..... 13.00 kit
4511	67	Front Caliper Piston ..... 6.50 ea
4512	67	Rear Caliper Piston ..... 6.50 ea
4513	67	Front Caliper Spring ..... 2.00 ea
4514	67	Rear Caliper Spring ..... 2.00 ea
4517	65-67	Bleeder Screw ..... 1.50 ea
4530	65-67	Caliper Brake Pad Pin - Steel ..... 2.00 ea
4531	65-67	Caliper Brake Pad Pin - Stainless Steel ..... 9.00 pr
4520	65-67	Parking Brake Shoes (2 Wheels) ..... 47.00 set
4525	65-67	Parking Brake Shoes - Stainless ..... 85.00 set
4519	65-67	Stainless Steel Parking Brake Kit (does both sides) ..... 57.00 kit
4510	65-67	<b>Parking Brake Tool</b> - allows installation of brake shoes & rebuilding kit much easier .. 7.95 ea
5046	65-67	Upper Parking Brake Shoe Spring - Long .... 4.75 ea
5047	65-67	Lower Parking Brake Shoe Spring - Short .... 4.75 ea
6396	65-67	Parking Brake Bolt ..... 6.00 ea
6397	65-67	Parking Brake Bolt Locks ..... 3.00 ea
4123	65-67	Front Rotor Less Hub ..... 69.00 ea
4278	65-67	Rear Brake Rotor ..... 69.00 ea

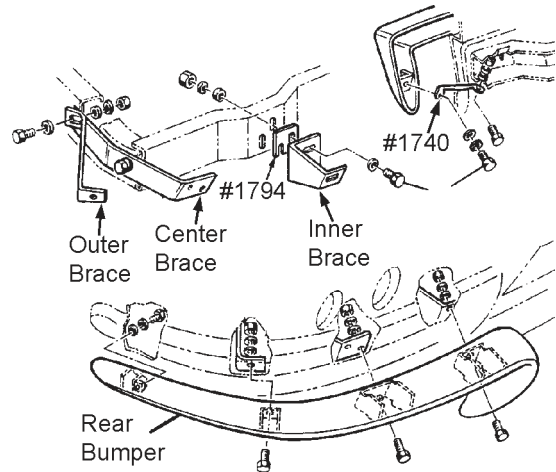
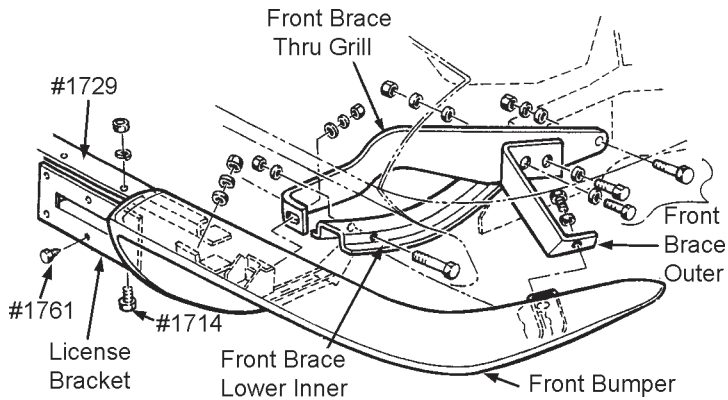
**All Front Back Plates are correct color for 65-67, but are a replacement style**

6334	65-67	Front Brake Back Plate, Zinc - Lt ..... 29.00 ea
6335	65-67	Front Brake Back Plate, Zinc - Rt. .... 29.00 ea
4445	65-67	Rear Brake Back Plate, Zinc - Lt ..... 29.00 ea
4446	65-67	Rear Brake Back Plate, Zinc - Rt ..... 29.00 ea
<b>6323</b>	<b>65-67</b>	<b>Parking Brake Shoe Anchor (mounts in rear brake shield) ..... 15.00 ea</b>

See Previous 3 Pages for additional Brake Parts



## BUMPER & MOUNTING



### Front Bumper & Related

10025	63-67	<b>Bumper Set - 4 Bumpers</b> .....	1499.00 set ND
1725	63-67	<b>Front Bumper - Lt... (US Made)</b> .....	439.00 ea
1726	63-67	<b>Front Bumper - Rt... (US Made)</b> .....	439.00 ea
1729	63-67	Front License Cross Bar - Chrome .....	39.00 ea
1796	63-65	Front Lic. Bracket - Correct Repr. ....	26.00 ea
1770	66-67	Front License Bracket - (63-65 Repl.) .....	16.00 ea
1714	63-67	Front License Bracket Mounting Bolts .....	3.00 set
1715	63-65	Front License Plate Mounting Screw, Nut & Bumper Set (use w/ #1796) .....	3.50 set
1716	66-67	Front License Plate Mounting Screw, Nut & Bumper Set (use w/ #1770) .....	3.50 set
1761	63-67	Front License Plate Rubber Bumper - NOS ..	3.00 ea
1938	63-67	License Plate Stainless Steel Frame .....	15.95 ea
1730	63-67	Front Bumper Brace - Lwr. Inner - Lt .....	62.00 ea
1731	63-67	Front Bumper Brace - Lwr. Inner - Rt .....	62.00 ea
1678	63	*Front Bumper Brace - Thru Grill - Lt .....	42.00 ea
1679	63	*Front Bumper Brace - Thru Grill - Rt .....	42.00 ea
1732	64	Front Bumper Brace - Thru Grill - Lt .....	40.00 ea
1733	64	Front Bumper Brace - Thru Grill - Rt .....	40.00 ea
1734	65-67	Front Bumper Brace - Thru Grill - Lt .....	40.00 ea
1735	65-67	Front Bumper Brace - Thru Grill - Rt .....	40.00 ea
1676	63	*Front Bumper Brace - Outer - Lt .....	21.00 ea
1677	63	*Front Bumper Brace - Outer - Rt .....	21.00 ea
1736	64-67	Front Bumper Brace - Outer - Lt .....	20.00 ea
1737	64-67	Front Bumper Brace - Outer - Rt .....	20.00 ea
8707	63-67	Front Bumper Bolt Mounting Kit, Less Spacers - with Correct Head Markings ...	25.50 set
8702	63-67	Front Bumper Bolt Spacers (4 pc set) .....	8.50 set

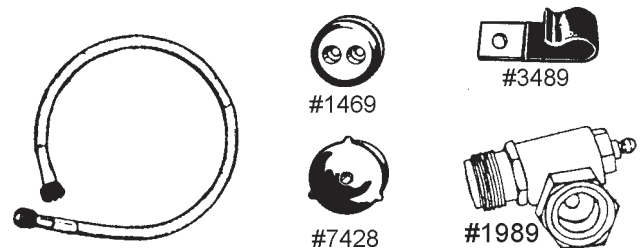
\* NOTE: 63 Braces are the correct thickness but the 64 Braces will work

### Rear Bumper & Related

1727	63-67	<b>Rear Bumper - Lt... (US Made)</b> .....	439.00 ea
1728	63-67	<b>Rear Bumper - Rt... (US Made)</b> .....	439.00 ea
1747	64-67	<b>Rear Bumper Brace Set -63 Repl (8 pcs)</b> .....	129.00 set ND
1740	63-67	Rear Bumper Lwr. Support Rod (2 req) .....	10.00 ea
9058	63	Rear Bumper Brace Outer - Lt .....	27.00 ea
9059	63	Rear Bumper Brace Outer - Rt .....	27.00 ea
9066	63	Rear Bumper Brace Center - Lt .....	27.00 ea
9067	63	Rear Bumper Brace Center - Rt .....	27.00 ea
9068	63	Rear Bumper Brace Inner - Lt .....	27.00 ea
9069	63	Rear Bumper Brace Inner - Rt .....	27.00 ea
1745	64-67	Rear Bumper Brace, Outer - Lt .....	21.00 ea
1746	64-67	Rear Bumper Brace, Outer - Rt .....	21.00 ea
1743	64-67	Rear Bumper Brace, Center - Lt .....	20.00 ea
1744	64-67	Rear Bumper Brace, Center - Rt .....	20.00 ea
1741	64-67	Rear Bumper Brace, Inner - Lt .....	20.00 ea
1742	64-67	Rear Bumper Brace, Inner - Rt .....	20.00 ea
1794	63-67	Rear Bumper Shim .....	2.25 ea
8708	63-67	Rear Bumper Bolt Mtg Kit w/correct head .	25.50 set

### Rear License

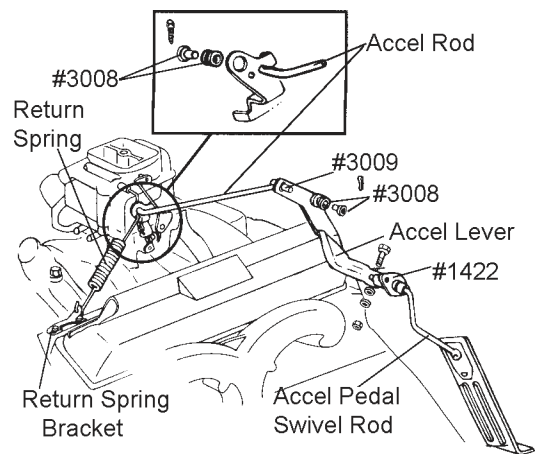
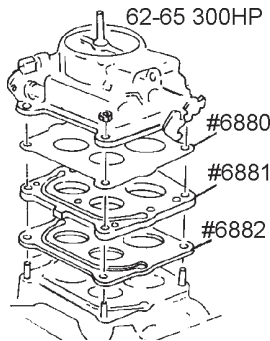
2417	63-67	Rear License Plate Bezel .....	89.00 ea
1707	63-65	Rear License Plate Screw, Nut & Bumper ....	3.00 set
1713	66-67	Rear License Plate Screw, Nut & Bumper ....	3.00 set
1762	63-67	Rear License Plate Rubber Bumper - NOS .	4.50 ea



### CABLES - Speedo & Tach

1989	63-67	Tach Cable Adaptor - connects to back of distributor to prevent cable from breaking	49.00 ea
1553	63-64	Tach Cable - Gray Case .....	17.95 ea
1550	64	Tach Cable - Ivory Case .....	32.50 ea
1554	65-67	Tach Cable - Black Case .....	17.95 ea
1571	63-64	Speedo Cable - Gray Case .....	20.95 ea
1552	64	Speedo Cable - Ivory Case .....	45.00 ea
1577	65-67	Speedo Cable - Black Case - 4 sp .....	21.95 ea
1540	65-67	Speedo Cable - Black Case - Auto or 3sp	19.95 ea
1507	63-67	Speedo or Tach Cable Repair Kit .....	10.00 ea
7428	63-64	Tach/Speedo Cable Grommet 3sp, 4sp, Auto (1 Hole) - CORRECT - 2 required ...	10.00 ea
7428	65-67	Tach/Speedo Cable Grommet 3sp, Auto, (1 Hole) - CORRECT - 2 required .....	10.00 ea
7413	63-67	Tach/Speedo Cable Grommet - REPL (63-64 All, 65-67 3sp or Auto) (1 Hole) .....	4.00 ea
1469	65-67	Tach/Speedo Cable Grommet (2 Hole) w/4sp (for an Automatic use #7428) .....	5.50 ea
1470	63-67	Firewall Grommet (2 Hole) Oil Line non air or Rear Antenna Cable .....	5.50 ea
1250	63-67	Oil Line Grommet w/Air (4 Hole) .....	5.50 ea
1551	63-65	FI Drive Cable - inner flex shaft only 6 3/4" long .....	27.00 ea
1624	63-65	FI Drive Cable - inner flex shaft only 6 5/16" long .....	27.00 ea
3489	63-67	Underhood "J" Clip with rubber coating .....	1.50 ea

**CARBURETOR & RELATED**



**Carburetors - NEW (check current price when ordering)**

6780	64-65	Holley (#2818), 350, 365 HP	599.00 ea ND
6700	65	Holley (#3124) 396, 425HP	850.00 ea ND
6781	66	Holley (#3367), 300, 350 HP	599.00 ea ND
6698	66	Holley (#3370), 427, 390 HP	599.00 ea ND
6782	66	Holley (#3247), 427/425 HP	599.00 ea ND
6783	67	Holley (#3810), 300, 350 HP	599.00 ea ND
6784	67	Holley (#3811), 427/390 HP	599.00 ea ND
6785	67	Holley (#3659), 3X2 End Carb	419.00 ea ND
6786	67	Holley (#3660), 3X2 Center Carb	585.00 ea ND

**Carburetor Components & Related**

1096	63-65	Gasket, Carb to Air Cleaner 1X4 w/WCFB or AFB	3.50 ea
1097	64-67	Gasket, Carb to Air Cleaner w/Holley or Q-Jet	3.00 ea
1098	67	Gasket, Carb to Air Cleaner w/3X2 (3 pcs)	8.00 set
6897	63-65	Carb to Manifold Gasket w/250 HP, Cast Iron Intake, WCFB	4.00 ea
6882	63-65	Carb to Manifold Gasket w/300 HP & AFB	6.50 ea
6880	63-65	Carb Heat Baffle Metal Gasket w/300 HP and AFB - stainless	8.00 ea
6881	63-65	Carb Heat Insulator Spacer w/300 HP and AFB	28.00 ea
6883	63	Carb to Manifold Gasket w/340 HP, Alum Intake, AFB	8.00 ea
6790	63-65	FI Leg to Base Gaskets (4 pc)	20.00 set
1099	67	Carb to Manifold Gasket w/3X2 (3 pcs)	11.00 set
6898	64-67	Carb to Manifold Gasket w/350-365 HP, Alum Intake, Holley	5.00 ea
6899	66-67	Carb to Manifold Gasket, Cast Iron Intake, Holley - use with #6886	6.00 ea
6886	66-67	Carb to Manifold Baffle Metal Gasket all w/Cast Iron Intake	11.00 ea
6764	63-67	Carb Mounting Stud & Nut Set exc 300 HP	4.00 set
6765	63-65	Carb Mounting Stud & Nut Set w/ 300HP	4.00 set
6755	67	Carb Mounting Stud & Nut Set w/3X2	13.00 set

**Carb Rebuild Kits**

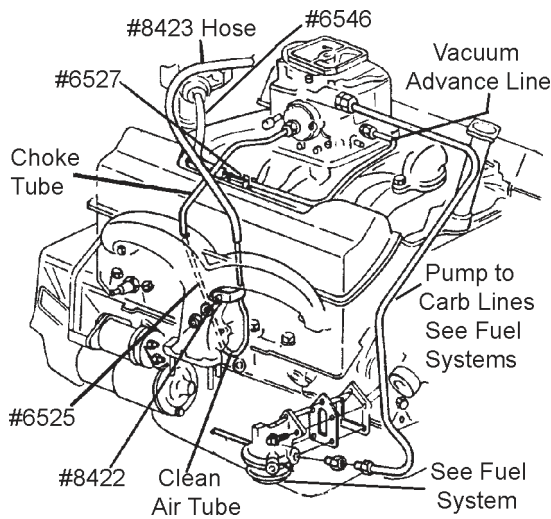
6810	63-65	Carb Kit, WCFB w/1X4	34.95 kit
6811	63-65	Carb Kit w/AFB	30.00 kit
6812	64-66	Carb Kit, Holley 64-65 350-365 HP (#2818) 66 425 HP (#3247)	36.00 kit
6813	66	Carb Kit, Holley 66 300-350 HP (#3367) 66 390 HP (#3370)	30.00 kit
6816	67	Carb Kit, Holley 67 300-350 HP (#3810) 67 390HP (#3811)	35.00 kit
6818	67	Carb Kit, Holley 67 400, 435 HP (#3659 & #3660)	29.00 kit

**Carb Linkage & Related**

1276	67	Carb Linkage Kit w/3X2 Includes: 2 Rods, 2 Clevis, 2 Teflon Washers 2 Clips, 1 Special Bolt & Lock Nut	44.00 kit
6721	67	Vacuum Diaphragm w/3X2	22.00 ea
6722	67	Vacuum Hose and "T" Kit w/3X2	9.00 ea
3088	63-65	Accelerator Rod w/327	12.00 ea
3055	63-65	Accelerator Rod w/Fl - lever to bellcrank	15.00 ea
3089	66-67	Accelerator Rod w/327	12.00 ea
3099	65	Accelerator Rod w/396	25.00 ea
3090	66	Accelerator Rod w/427-425 HP	25.00 ea
3091	66-67	Accelerator Rod w/427-390 HP (66 All, 67 4sp)	25.00 ea
3023	67	Accelerator Rod w/427/390 Auto	30.00 ea
3024	67	Accelerator Rod w/427/ 400 (Auto - Gold)	30.00 ea
3092	67	Accelerator Rod w/427 Tri-Power ( 4sp Gold)	25.00 ea
3073	63	Accel. Return Spring 340 HP (White)	8.50 ea
3072	63-67	Accelerator Return Spring w/327	5.00 ea
3074	63-65	Accelerator Spring w/Fl.	8.00 ea
3075	65-67	Accelerator Return Spring w/396-427	5.00 ea
3062	67	Accelerator Return Spring w/327 Auto (Lime)	12.00 pr
3070	63-67	Accel. Return Spring Bracket w/327	8.00 ea
3054	63-65	Accel. Return Spring Bracket w/Fl	16.00 ea
3071	65-67	Accel. Return Spring Brkt. w/396-427	8.00 ea
8401	63-67	Accel Rod Installation Kit (2 bushings with inserts, 1 swivel correct), 1 cotter pin	8.00 kit
3008	63-67	Accel. Rod Bushing w/Insert	2.00 ea
3009	63-67	Accel. Rod Swivel	6.50 ea
1422	63-67	Accel. Swivel, Support, Bushing & Bolt Set	24.00 set
3934	63	Accel. Lever 250 thru 360 HP	26.00 ea
3935	64-65	Accel. Lever 250 + 350 + 365 + 375 HP	26.00 ea
3936	64-65	Accel. Lever 300 HP	26.00 ea
3937	65-67	Accel. Lever 65 396, 66-67 327 66 390 + 400 + 425 HP 4sp	26.00 ea
3938	67	Accel. Lever 427/390 thru 435 HP 4 sp	26.00 ea
3043	63-67	Accel Lever Bolt w/Nut	3.00 kit
3040	63	Accel Pedal Swivel Rod	27.00 ea
3041	64-67	Accel Pedal Swivel Rod	27.00 ea

(See Next Page for More Carburetor Parts)

## CARBURETOR(cont.)



### Choke Tube - Steel

6504	63-65	Choke Tube 230-250 HP w/Bottom Choke WCFB .....	10.00 ea
6505	63-65	Choke Tube - Fits 63-65 w/300 HP .....	10.00 ea
6506	63	Choke Tube 340 HP AFB, Chrome .....	15.00 ea
6507	64-65	Choke Tube 350-365 HP, Holley Chrome ...	15.00 ea
6508	63-65	Choke Tube w/Fl Chrome .....	15.00 ea
6512	65	Choke Tube 396-425 HP Upper .....	23.50 ea
6524	65	Choke Tube Upper Loom .....	6.00 ea
6523	65	Choke Tube/Clean Air Tube 396-425 HP Lower .....	28.50 ea

### Choke Tube - Stainless Steel

6525	63-65	Choke Tube Inside Exhaust Manifold - Stainless Steel .....	14.00 ea
8404	63-65	Stainless Choke Tube 230-250 HP .....	13.00 ea
8405	63-65	Stainless Choke Tube 300 HP .....	13.00 ea
8406	63	Stainless Choke Tube 340 HP Chrome .....	18.00 ea
8407	64-65	Stainless Choke Tube 350-365 HP Chrome .....	18.00 ea
8408	63-65	Stainless Choke Tube F.I. Chrome .....	18.00 ea
8412	65	Stainless Choke Tube 395/425 - Upper .....	26.00 ea
6524	65	Choke Tube Upper Loom .....	6.00 ea

### Clean Air Tube - Steel

6520	63	Clean Air Tube w/Bracket .....	29.00 ea
6521	64-65	Clean Air Tube w/Bracket exc.Fl .....	29.00 ea
6520	63-65	Clean Air Tube w/Fl .....	29.00 ea
6523	65	Choke Tube/Clean Air Tube Lower w/396 - 425 HP .....	28.50 ea
8422	63-65	Attaching Stud for Clean Air Tube .....	6.00 ea
8423	63-65	Clean Air Hose w/Rib .....	3.00 ea

### Clean Air Tube - Stainless Steel

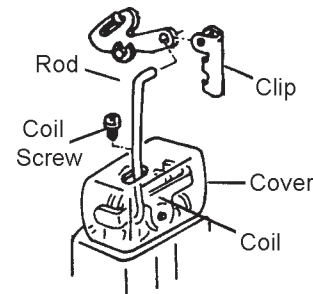
8420	63	Stainless Clean Air Tube w/Bracket .....	27.50 ea
8421	64-65	Stainless Clean Air Tube w/Brkt exc Fl .....	31.00 ea
8420	63-65	Stainless Clean Air Tube w/Fl .....	27.50 ea
8423	63-65	Clean Air Hose w/Rib .....	3.00 ea

### Vacuum Advance Line - Steel

6531	63-65	Vac Adv Line w/250 HP .....	15.00 ea
6532	63-65	Vac Adv Line w/300 HP .....	15.00 ea
6541	63	Vac Adv Line w/Fl Chrome .....	16.00 ea
6533	63	Vac Adv Line w/340 HP Chrome .....	17.00 ea
6534	64-65	Vac Adv Line w/350-365 HP Chrome .....	17.00 ea
6540	65	Vac Adv Line w/396-425 HP .....	17.00 ea
6535	66	Vac Adv Line w/300 HP Chrome .....	17.00 ea
6536	66	Vac Adv Line w/350 HP Chrome .....	17.00 ea
6542	67	Vac Adv Line w/300 HP .....	13.00 ea
6543	67	Vac Adv Line w/350 HP .....	13.00 ea
6537	66-67	Vac Adv Line w/390-425 HP .....	14.00 ea
6538	67	Vac Adv Line w/400-435 HP Chrome .....	17.00 ea
6527	63-67	Clip, Vacuum Advance Line .....	4.00 ea
6546	63-67	Vacuum Advance Line Hose w/White Stripe Exc. 3X2 .....	3.00 ea

### Vacuum Advance Line - Stainless Steel

8431	63-65	Stainless Line w/250 HP .....	19.00 ea
8432	63-65	Stainless Line w/300 HP .....	19.00 ea
8433	63	Stainless Line w/340 HP Chrome .....	21.00 ea
8441	63	Stainless Line w/Fl .....	21.00 ea
8434	64-65	Stainless Line w/350-365 HP .....	21.00 ea
8440	65	Stainless Line w/396-425 HP .....	21.00 ea
8435	66	Stainless Line w/300 HP Chrome .....	21.00 ea
8436	66	Stainless Line w/350 HP Chrome .....	21.00 ea
8443	67	Stainless Line w/300 HP .....	17.00 ea
8444	67	Stainless Line w/350 HP .....	17.00 ea
8437	66-67	Stainless Line w/390-425 HP .....	17.00 ea
8438	67	Stainless Line w/400-435 HP Chrome .....	22.00 ea
6527	63-67	Clip, Vacuum Advance Line .....	4.00 ea
6546	63-67	Vacuum Advance Line Hose w/White Stripe Exc. 3X2 .....	3.00 ea

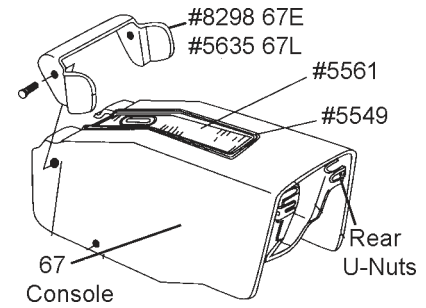
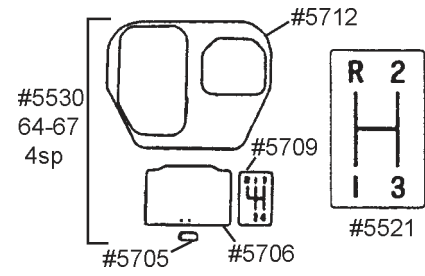
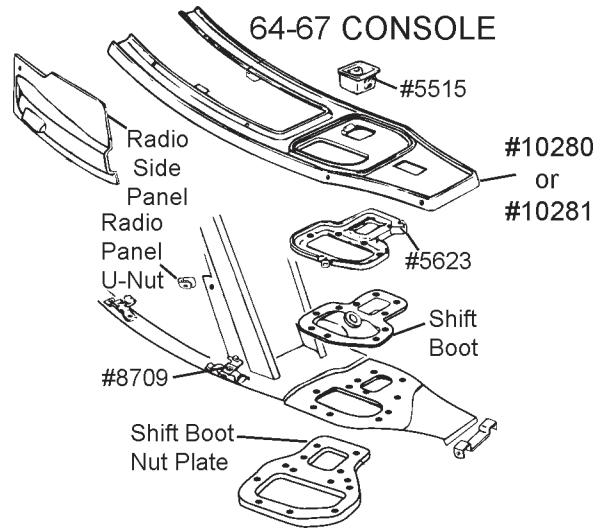
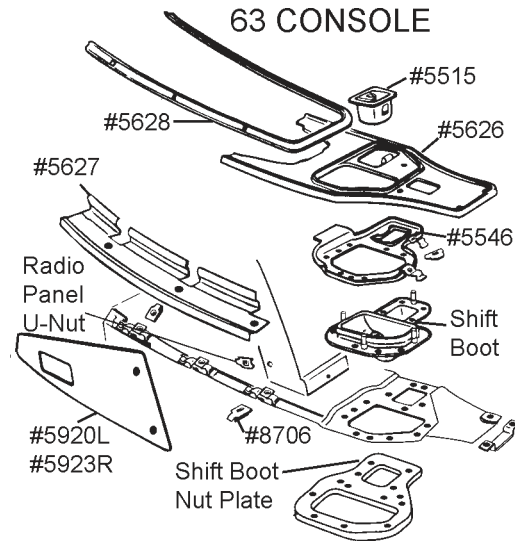


### Choke Rods, Thermostat Coil, Cover & Clips

6494	63-65	WCFB Choke Cover .....	39.00 ea
6495	63-65	AFB Choke Cover .....	39.00 ea
6591	63-65	<b>AFB Choke Housing with Piston Assembly and Lever .....</b>	<b>82.75 ea LD</b>
6594	63-65	<b>AFB Choke Lever (Rod) to Upper Shaft .....</b>	<b>12.00 ea</b>
6496	63-65	Choke Internal Spring Only - WCFB .....	6.00 ea
6497	63-65	Choke Cover Internal Disc w/Retainer & Spring .....	34.00 ea
6509	66-67	Choke Rod, Fits 66-67 327 w/SpHiper .....	7.50 ea
6511	66-67	Choke Rod, 300 HP .....	7.00 ea
6514	66	Choke Rod, 390 HP .....	7.00 ea
6515	66	Choke Rod, 425 HP .....	7.00 ea
6529	67	Choke Rod, 390 HP .....	7.00 ea
6510	67	Choke Rod, 400-435 HP w/3X2 .....	7.00 ea
6517	66-67	Choke Rod Clip .....	2.50 ea
6845	66-67	Choke Coil Cover .....	7.00 ea
6846	66-67	Choke Thermostat Coil - Fits the following 66 w/327, 427 w/Spec HiPer .....	21.00 ea
		67 All. ....	
6866	66-67	Thermostat Coil Mounting Screw .....	1.00 ea

**CONSOLE**

5626	63	<b>Main Shifter Console - specify with or without power windows</b> .....	550.00 ea ND
10280	64-67	<b>4sp Center Console- unpainted</b> with ashtray bracket and radio clips ....	449.00 ea
10281	64-67	<b>4sp Center Console - FINISHED</b> with inserts - painted with ashtray bracket, radio clips, brushed aluminum kit, ashtray door and slides .....	629.00 ea ND
5627	63	Shifter Console Extension (Pair) .....	375.00 pr
5628	63	Horseshoe Console Molding w/Screws .....	64.95 ea
5515	63-76	Ashtray Insert .....	11.00 ea
5705	63-67	Ashtray Knob .....	6.50 ea
5706	64-67	Ashtray Door .....	9.00 ea
5707	63-67	Ashtray Door Guides (Runners) .....	15.00 pr
5712	64-67	Console Insert w/ 3sp & 4sp .....	12.50 ea
8710	63	Console Screw Set (17 pcs) .....	5.00 set
8706	63	Console "U" Nuts (17) .....	5.50 set
8711	64-67	Console Screw Set (8 pcs) .....	3.00 set
8709	64-67	Console "U" Nuts (4 pcs) .....	1.50 set
5530	64-67	*Console Repair Kit - 4sp .....	23.00 ea
5532	64	*Console Repair Kit - Auto .....	26.00 ea
5531	65-67	*Console Repair Kit - Auto w/Shifter Slide ..	29.00 ea
5710	64-67	*Console Repair Kit - 3sp .....	27.00 ea
<b>*(Console Repair Kits Include: Insert, Ashtray Door, Knob and Shift Indicator as Required)</b>			
5519	63	Shift Pattern - 4sp .....	13.00 ea
5709	64-67	Shift Pattern - 4sp .....	7.00 ea
5521	64-67	Shift Pattern - 3sp .....	10.00 ea
5511	63	Shift Pattern - Auto .....	16.00 ea
5708	64	Shift Pattern - Auto .....	10.50 ea
5548	63	Shifter Boot - 4sp .....	12.00 ea
5509	63	Shifter Boot - 3sp or Auto .....	45.00 ea
5546	63	Shift Boot Retainer .....	27.00 ea
5545	63	Shift Boot Nut Plate w/Rivets (under fiberglass) .....	21.00 ea
5550	64-67	Shifter Boot - 4sp & 3sp .....	30.00 ea
10397	64	Shifter Boot - Auto (Upper) .....	69.00 ea
5609	65-67	Shifter Boot - Auto (Lower) .....	56.00 ea
5594	65-67	Upper Shifter Slide - Auto .....	4.50 ea
5623	64-67	Shifter Boot Retainer .....	16.00 ea
8712	63-67	Shifter Boot Retainer Screws (11pcs) .....	5.00 set
5616	64-67	Shift Boot Nut Plate w/Rivets (under fiberglass) .....	21.00 ea
5920	63	*L.H. Radio Side Panel - Fiberglass .....	79.00 ea
5921	64-66	*L.H. Radio Side Panel - Fiberglass .....	79.00 ea
5922	67	*L.H. Radio Side Panel - Fiberglass .....	79.00 ea
5923	63-66	*R.H. Radio Side Panel - Fiberglass .....	79.00 ea
5924	67	*R.H. Radio Side Panel - Fiberglass w/o Air .....	79.00 ea
5925	67	*R.H. Radio Side Panel - Fiberglass w/Air ..	79.00 ea
<b>NOTE: ** All Radio Side Panels have backs installed **</b>			
8883	63-67	Radio Side Panel Screws - Repl (4) .....	2.50 set
8878	63-67	Radio Side Panel Screws - Original (4) .....	4.50 set
5604	63-67	Radio Side Panel U-Nut Set (4 pcs) .....	1.50 set
5926	67	Fresh Air Vent Knob in Radio Side Panel ...	18.00 ea
5714	67	Parking Brake Console - Black .....	69.95 ea
5711	67	Parking Brake Console - Specify Color ....	95.00 ea LD
5561	67	Parking Brake Lever Plastic Slider .....	4.00 ea
5549	67	Parking Brake Console Chrome Trim Ring ..	39.00 ea
5605	67	Parking Brake Slider Retainer Nut Set (10 pcs) .....	2.75 set
5618	67	Parking Brake Console J-Nut Set for console screws (4 pcs) .....	1.25 set
5695	67	Parking Brake Console Screws - Rear (2) ...	3.50 pr
5793	67	Parking Brake Console U-Nut - Rear (2) .....	1.25 pr
5556	65-66E	Seat Belt Buckle Bracket .....	15.00 ea
5557	66L	Seat Belt Buckle Bracket w/holes .....	15.00 ea
8298	67E	Seat Belt Buckle Bracket No Holes .....	37.00 ea
5635	67L	Seat Belt Buckle Bracket w/Holes .....	37.00 ea
8713	65-66	Seat Belt Buckle Bracket Screws .....	1.25 pr
8299	67	Seat Belt Buckle Bracket & Brake Console Screws (4 pc) .....	2.00 set
3571	63-67	Power Window Switch .....	45.00 ea



**Also see SEAT BELT, DASH and INTERIOR Sections**

## CONVERTIBLE TOP & DECK LID

### Convertible Tops

3110\_\_ 63-67 Convertible Top Kit - Available in Black, White or Tan - please specify color ..... **209.00 kit ND**  
 The Above Kit Includes: Original Type 40 oz. Vinyl, Pads, Straps, Front & Rear Finish Strips w/Tips, Warning Tag and Instructions.

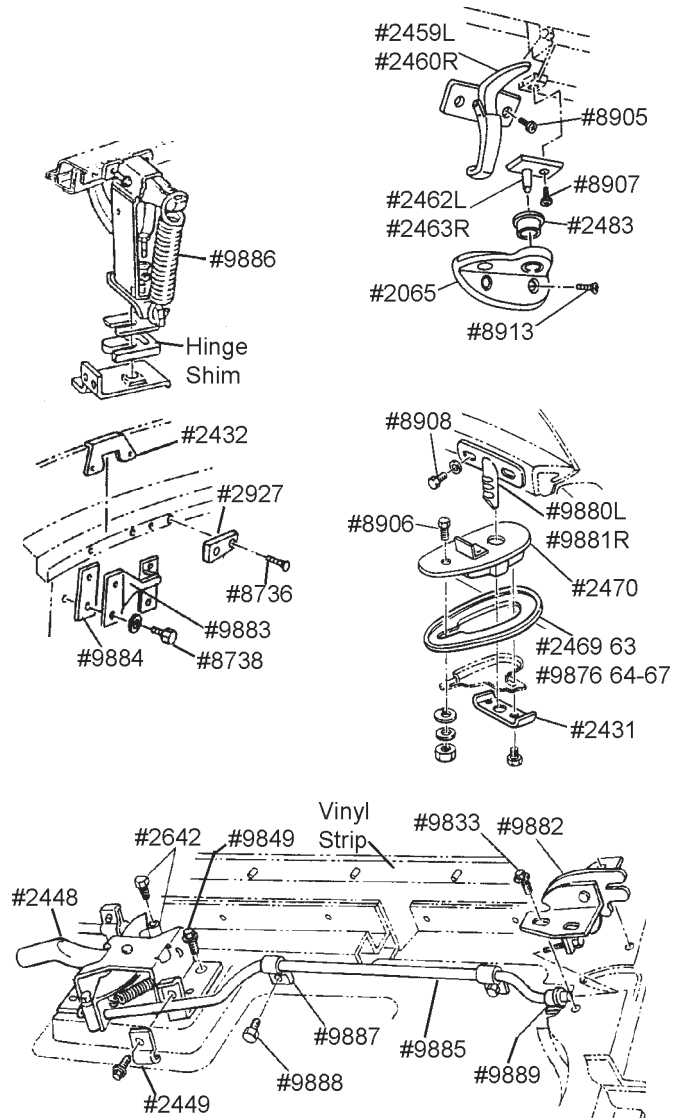
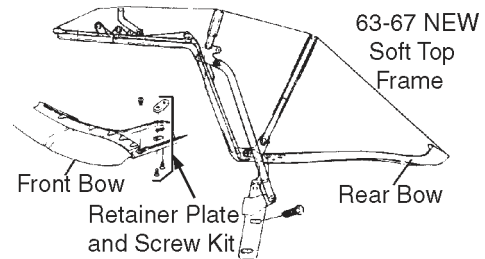
<b>10461</b>	<b>63-67</b>	<b>Date Stamping Available - State Month &amp; Year that car was manufactured - cost..</b>	<b>90.00 ea ND</b>
3122	63-67	Black Canvas Pads .....	39.00 pr
3130	63-67	Black Canvas Straps (Fits each side of rear window) .....	27.00 pr
2751	63-67	Rear Bow W/Strip Hold in Cord .....	6.00 ea
3117	63-67	Conv. Top Rear Window Trim Bead - S.S. End Caps (Correct) with S.S. #4-40 Screws ....	9.50 pr
10463	63-67	Tack Strips - Replacement (plastic) .....	38.00 set
5216	63-67	Tack Strips - Correct Fiberboard Material..	42.50 set
<b>9187</b>	<b>Any</b>	<b>Conv Top Window Pillow .....</b>	<b>15.95 ea</b>

### Convertible Top & Deck Lid Hardware

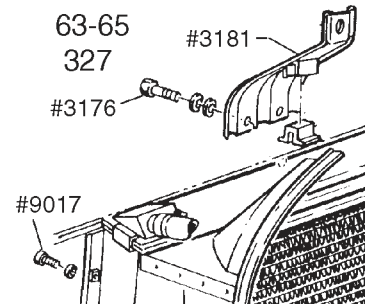
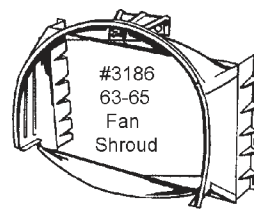
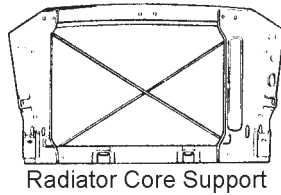
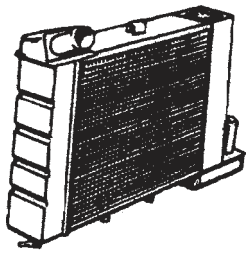
2459	63-67	Front Conv & Hardtop Latch - Lt .....	104.95 ea
2460	63-67	Front Conv & Hardtop Latch - Rt .....	104.95 ea
8905	63-67	Front Conv Top Latch Screws & Washers..	3.00 set
2065	63-67	Front Conv Striker on Windshield Frame ..	59.00 pr
8913	63-67	Front Striker Screws on Windshield Frame ..	3.50 set
2483	63-67	Bushing for Front Guide Pin .....	4.00 pr
10401	63-67	Front Conv Top Guide Pins - PAIR .....	21.00 pr
2462	63-67	Front Conv Top Guide Pin - Lt .....	15.50 ea
2463	63-67	Front Conv Top Guide Pin - Rt .....	15.50 ea
8907	63-67	Front Guide Pin Screw & Washers .....	2.00 set
2470	63-67	Rear Conv Bow Latch- <b>GM Restoration</b> ..	87.00 ea
10087	63-67	Rear Conv Bow Latch- <b>Nice Repro</b> .....	74.00 ea
2473	63-67	Conv Top Rear Latch Bushings .....	15.95 ea
2469	63	Gasket - Rear Bow Latch .....	5.00 pr
9876	64-67	Gasket - Rear Bow Latch .....	4.00 pr
8906	63-67	Screw, Nut & Washer Set, Rear Latch on Deck Lid .....	4.00 set
2431	63-67	Clamp for Conv Rear Deck Latch .....	8.00 ea
2432	63-67	Striker on Body w/Rivets (for Conv Deck Locks) .....	16.00 pr
9890	63-67	Conv Top Lid & Door Alignment Wedges (4) with Shims (4) and Screws (8) .....	34.95 set
2927	63-67	Plastic Wedges on Body .....	17.50 pr
9878	63-67	Metal Wedges on Conv Deck Lid .....	13.00 pr
8736	63-67	Wedge Screws (8) .....	4.00 set
9879	63-67	Shim for Wedge on Deck Lid .....	3.00 ea
9880	63-67	Rear Conv Top Pin on Rear Bow - Lt .....	20.00 ea
9881	63-67	Rear Conv Top Pin on Rear Bow - Rt .....	20.00 ea
8908	63-67	Rear Lock Pin Screws - Chrome .....	4.00 set
9882	63-67	Deck Lid Side Latch .....	47.00 ea
9833	63-67	Deck Lid Side Latch Screws (6 pc) .....	5.50 set
9883	63-67	Deck Lid Side Catch on Body (2 req) .....	21.00 ea
8738	63-67	Deck Lid Catch Screws (8) .....	9.00 set
9884	63-67	AntiSkid Shim for Deck Lid Catch - on Body (4 pc set) .....	22.00 set
2448	63-67	Deck Lid Latch Release Mechanism. ....	47.00 ea
9849	63-67	Deck Lid Latch Release Screws (4 pc) .....	3.50 set
9885	63-67	Deck Lid Latch Cable - Lt or Rt (2 req) .....	6.50 ea
2642	63-67	Deck Lid Latch Cable Stop & Screw .....	2.50 ea
2449	63-67	Cable Clamp on deck lid latch release .....	8.50 pr
9887	63-67	Cable Clamp on Deck Lid (4 pcs) .....	4.50 set
9888	63-67	Cable Clamp Screws on Deck Lid (4 pcs) ....	3.50 set
9889	63-67	Cable Grommets (2 pcs) .....	1.50 pr
9886	63-67	Deck Lid Spring (2 req) .....	8.00 ea
9432	63-67	Deck Lid Hinge Shim 1/16" .....	.75 ea
5306__	63-64	Deck Lid Strip - Vinyl w/Hardware .....	47.00 ea
5307__	65-67	Deck Lid Strip - Vinyl w/Hardware .....	47.00 ea
9877	63-67	<b>Specify Year &amp; Color of Deck Lid Strip When Ordering</b> Conv. Top Mounting Screws & Washer Replacement .....	4.00 set

### Convertible Top Frames & Related

3126	63-67	Conv Top Frame Assembly - NEW Specify Year .....	1795.00 ea ND
9424	63-67	Conv Top Frame Rebuild Screw Kit (all screws to assemble your conv top frame - less rivets) .....	27.50 kit
2416	63-67	Front Bow for Conv Top .....	349.00 ea
9431	63-67	Front Conv Top Bow Retainer Plate and Screw Kit .....	33.75 kit
9430	63-67	Rear Bow for Conv Top .....	329.00 ea



**COOLING SYSTEM & RELATED**



**Radiator & Related**

3605	63-64	*327 Aluminum Radiator - <b>Exact</b> Repro .	769.00 ea ND
3353	65-67	*327 Aluminum Radiator - <b>Exact</b> Repro .	769.00 ea ND
3606	65	*396 Aluminum Radiator - <b>Exact</b> Repro .	799.00 ea ND
10297	66	427 Brass Radiator - <b>Exact</b> Repro .....	695.00 ea ND
10290	67	427 Brass Radiator - <b>Exact</b> Repro .....	695.00 ea ND

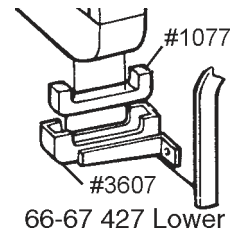
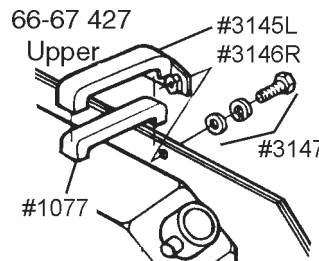
**\*63-67 Exact Repro Aluminum Radiators are all show detailed. They are painted, OEM drain assembly, stickers, labels, inspection stamp, correct part number and date coded. Specify Serial Number or Date required.**

Direct - Fit Radiators require no modifications to install. They offer 2 rows of 1" tubes and press formed end tanks. This doubles their cooling capacity of the original single row units.

3301	63-67	327 Aluminum Radiator - Direct Fit .....	495.00 ea ND
3302	65	396 Aluminum Radiator - Direct Fit .....	495.00 ea ND
3304	66-67	427 Aluminum Radiator - Direct Fit specify Manual or Auto .....	495.00 ea ND
10289	63-67	327 Brass Radiator - Replacement .....	299.00 ea LD
3347	66-67	427 Brass Radiator (exc L-88) Replacement .....	299.00 ea LD
3199	63-67	Aluminum Rad Drain Cock 327, 396 .....	16.50 ea
10043	65-67	Radiator Drain Cock - 427 for brass rad .....	5.50 ea
3161	63-67	Radiator Overflow Hose .....	7.00 ea
1075	63-67	Upper Radiator Cushion - 327 & 396 .....	4.50 ea
1076	63-67	Lower Radiator Cushion- 327 & 396 .....	3.00 pr
1077	66-67	Upper and Lower Radiator Cushions - 427 (set of 4) .....	15.00 set
5160	66-67	Trans Cooling Upper Outlet Pipe on Rad ..	12.00 ea
5161	66-67	Trans Cooling Lower Outlet Pipe on Rad ...	12.00 ea
3365	63-67	Inner Fender/Hood Hinge Rein -Lt .....	16.00 ea
3373	63-67	Inner Fender/Hood Hinge Rein -Rt .....	16.00 ea
3321	63	Radiator Support Assy. w/o Air .....	335.00 ea LD
3319	63	Radiator Support Assy. w/Air .....	335.00 ea LD
3329	63	Radiator Support Assy. w/Fl .....	429.00 ea LD
3323	64-65	Radiator Support Assy.. w/o Air .....	319.00 ea
3324	64-65	Radiator Support Assy. w/Air, 327 .....	329.00 ea
3335	64-65	Radiator Support Assy. w/Fl .....	429.00 ea LD
3322	65	Radiator Support Assy. w/396 .....	459.00 ea LD
3325	66-67	Radiator Support Assy. w/o Air, 327 .....	319.00 ea
3326	66-67	Radiator Support Assy. w/Air, 327 .....	329.00 ea
3327	66-67	Radiator Support Assy. w/o Air, 427 .....	319.00 ea
3328	66-67	Radiator Support Assy. w/Air, 427 .....	329.00 ea
3341	63-65	Lower Radiator Support Repair Section w/327, 396 .....	99.00 ea
3342	66-67	Lower Radiator Support Repair Section w/327 .....	99.00 ea
3607	66-67	427 Radiator Lower "U" Bracket and Reinforcement on core support (weld-on) (2 of each) .....	21.00 set
3343	63-67	Radiator Support Large Square Mtg Nuts .....	7.00 pr
3344	63-67	Rad. Support to Frame Bolt & Washer Set ..	5.00 set
9017	63-67	Radiator Support Side Bolt Set (6pcs) .....	3.50 set
3345	63-67	Radiator Support Shim 1/16" Thick .....	1.00 ea
9018	63-65	Horn Wire Clip Set (5 pcs) .....	5.50 set
9019	66-67	Horn Wire Clip Set (2 pcs) .....	2.50 pr

**Fan Shrouds, Brackets, Seals and Related**

3186	63-65	Fan Shroud - Metal (w/lower seal) .....	313.95 ea
1065	63-65	Lower Radiator Seal exc 396 .....	8.00 ea
3178	63-65	Shroud Bolt & Washer Set "WB" .....	5.00 set
3181	63-65	327 Rad/Shroud Top Mtg. Bracket .....	27.00 ea
3176	63-65	327 Rad/Shroud Bracket "WB" Bolt Set .....	2.50 set
3177	65	396 Fan Shroud - Correct Fiberglass .....	299.00 ea
3179	65	396 Rad/Shroud Top Mounting Bracket (also fits 67 L-88) .....	32.00 ea
3142	65	396 Rad/Shroud Brkt. Bolt & Washer Set ...	4.50 set
3187	66-67	327 Fan Shroud - Correct Fiberglass .....	299.00 ea
3174	66-67	327 w/AC, Fan Shroud Extension .....	74.00 ea
3182	66-67	327 Rad/Shroud Top Mtg. Bracket .....	22.00 ea
1251	65	396 Upper Radiator Seal .....	10.00 ea
1005	65	396 Lower Radiator Seal .....	12.00 ea
1066	66-67	327 Upper Radiator Seal w/Air (w/clips) ...	27.00 ea
1067	66-67	327 Lower Radiator Seal w/Air .....	11.00 ea
3175	66-67	427 Fan Shroud, Correct Fiberglass .....	299.00 ea
3148	66-67	427 w/AC Fan Shroud Extension .....	69.00 ea
1007	66-67	427 Upper Radiator Seal w/Air (w/clips) ...	27.00 ea
1019	66-67	427 Upper Rad/Fan Shroud Seal w/Air .....	6.50 ea
1068	66-67	427 Radiator Side & Lwr Seals w/Air (3pc) ..	11.00 set
3143	66-67	Fan Shroud Bolts & U-Nuts .....	5.50 set
3183	66-67	427 Fan Shroud Top Mtg. Bracket .....	22.00 ea
3144	66-67	327 /427 Top Rad/Shroud Brkt Bolt & Washer Set (use with #3182 & #3183) .....	5.50 set
3145	66-67	427 Upper Rad. Mtg. Bracket - Lt .....	15.50 ea
3146	66-67	427 Upper Rad. Mtg. Bracket - Rt .....	15.50 ea
3147	66-67	427 Upper Radiator Bracket Bolt & Washer Set (use with #3145 & #3146) .....	8.50 set
9017	63-67	Radiator Support Side Bolt Set (6pcs) .....	3.50 set



**Radiator and Expansion Tank Caps**

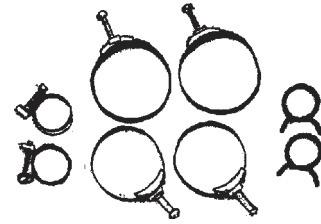
3369	63E	Expansion Tank/Rad Cap (AC & 307/13# on Left Ear), Correct for 63 dates before 8-63 and 65 396 .....	35.00 ea
3381	63L-65	Expansion Tank/Rad Cap (AC & 307/13#) Correct for Dates after 8-63 (63 late 64-65 327 No Air .....	35.00 ea
3386	64-67	Expansion Tank/Radiator Cap (RC26/15#) 64-65 327 w/Air, 66-67 327 All .....	35.00 ea
3387	66-67	Radiator Cap w/427 (RC 15#) Correct for all w/Copper Radiator .....	35.00 ea
3372	63-67	Radiator Cap, Stainless Steel Replacement .....	16.50 ea

It may be best to consult an NCRS Manual regarding exact cap applications.

## COOLING SYSTEM (cont.)

### Radiator Hoses

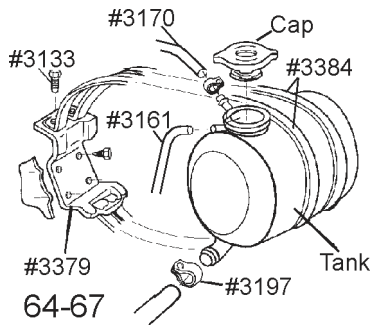
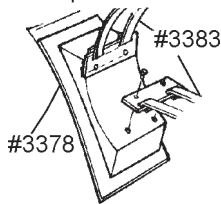
3308	63-65	Upper Radiator Hose - All 327 w/SpHiPer or SpHiPer & Air. Use with Alum Intake Manifolds only (has Blue Stripe) #3827368 .....	27.00 ea
3376	63-65	Upper Radiator Hose 327 w/250 or 300 HP w/o Air, Correct w/GM #3827366 & Blue Stripe .....	27.00 ea
3385	63-65	Upper Radiator Hose 327 w/250 or 300 HP w/Air, Correct w/GM #3833016 .....	33.00 ea
10028	65E	396 Upper Radiator Hose w/Correct Part # 3873842 with Aluminum Radiator .....	45.00 ea
3380	65L	396 Upper Radiator Hose w/Correct Part # 3879680 w/ GM Logo & Blue Stripe .....	39.00 ea
3307	63-65	327 Upper Radiator Hose exc. Sp HiPer or FI (GM Replacement) .....	28.50 ea
3311	66-67	Upper Radiator Hose - All 427, Correct w/GM #3906615 & Blue Stripe .....	32.00 ea
3310	66-67	Upper Radiator Hose 327 w/Sp HiPer, Correct w/GM #3887156 & Blue Stripe ....	27.00 ea
3309	66-67	Upper Radiator Hose 327 w/300 HP, Correct w/GM #3887154 & Blue Stripe ....	27.00 ea
3332	63-65	Lower Radiator Hose - All 327 & 427, exc 396 Correct w/GM #3832170 .....	29.00 ea
3340	65	396 Lower Radiator Hose w/Correct Part # and GM Logo #3876782 .....	34.00 ea
3346	66-67	Lower Radiator Hose - All 327, Correct w/GM #3887155 .....	28.00 ea
3375	66-67	Lower Radiator Hose - All 427, Correct w/GM #3882826 .....	32.00 ea



### Radiator & Heater Hose Clamps

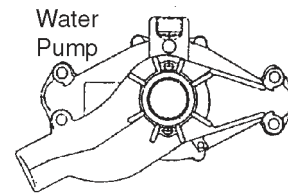
1634	63-67	Clamps - 327, 250-300 HP, exc. Air .....	22.00 set
1635	63-67	Clamps - 327, 340 thru 375 HP, exc. Air ..	22.00 set
1636	63-65	Clamps - 327, 250-300 HP, with Air .....	22.00 set
1637	63-65	Clamps - 327, 340 thru 365 HP with Air ....	22.00 set
1638	65	Clamps - 396 Only .....	24.00 set
1639	66-67	Clamps - 327, 300 HP w/Air .....	22.00 set
1640	66-67	Clamps - 327, 350 HP w/Air .....	22.00 set
1641	66-67	Clamps - 427 exc. Air - exc 3X2 .....	22.00 set
1642	66-67	Clamps - 427 w/Air - exc 3X2 .....	22.00 set
8048	67	Clamps 427 exc Air - with 3X2 .....	23.00 set
8049	67	Clamps 427 w/Air - with 3X2 .....	23.00 set

63 Exp Tank Bracket



### Expansion Tank & Related

3188	63-64E	Expansion Tank - w/Correct Date .....	159.00 ea LD
3138	64L-67	Expansion Tank - w/Correct Date .....	159.00 ea LD
<b>For Dated Expansion Tanks - Specify Date required or VIN number</b>			
3191	63-67	Expansion Tank - GM Repl - NO DATE ....	135.00 ea
3157	63-67	Expansion Tank Repair Tubes .....	20.00 set
3161	63-67	Overflow Hose for Expansion Tank-ribbed .	7.00 ea
3170	63-67	Hose from Expansion Tank to Radiator Correct w/ GM Blue Logo. ....	11.00 ea
3410	63-64	Hose and Wire Tie Strap Set (12 pc) .....	14.00 set
3411	65-67	Hose and Wire Tie Strap Set (12 pc) .....	14.00 set
3378	63	Expansion Tank Mount Bracket - includes Fiberglass Bracket, Retainer, Rivets Ready to Assemble .....	72.50 ea
3383	63	Expansion Tank Straps (Set of 4) .....	19.00 set
3379	64-67	Exp. Tank Bracket on Inner Fender .....	12.00 ea
3384	64-67	Expansion Tank Straps .....	10.00 pr
3133	63-67	Expansion Tank Strap Bolts w/Correct EL Headmark .....	2.50 pr
1170	63-67	Expansion Tank "T" .....	11.00 ea
3197	63-67	Hose Clamp from Exp Tank to "T" .....	3.00 pr
1912	63-67	Push-in Style Tie Strap on Inner Skirt .....	1.50 ea



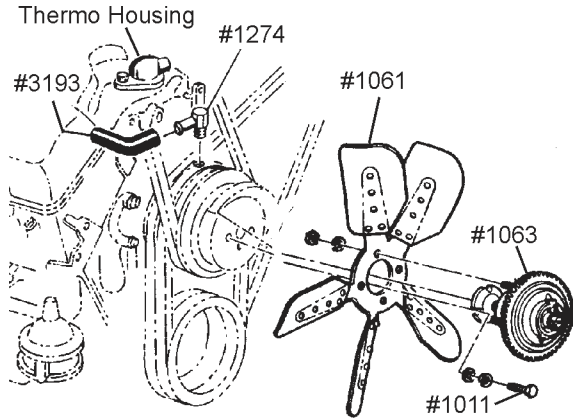
### Water Pumps & Related

3392	63-66E	Rebuilt Water Pump #3782608, 250-300 HP No Date, No ByPass (use until Dec '65) ..	79.00 ea
3393	63-66E	Rebuilt Water Pump #3859326, 340-375 HP No Date, w/ByPass (use until Dec '65) .	139.00 ea
3394	66L-67	Rebuilt Water Pump #3782608 Small Block with Cast Iron Intake exc LT-1, No ByPass <u>Dated</u> (Specify Date) (use from Jan '66) .	95.00 ea
3395	66L-67	Rebuilt Water Pump #3859326, Small Block with By Pass, with 350-375 HP, <u>Dated</u> (Specify Date) (use from Jan '66) .....	139.00 ea
3396	65-67	Rebuilt Water Pump #3856284, Big Block with Small Shaft <u>Dated</u> (Specify Date) ...	139.00 ea
3668	63-67	<b>327 Water Pump Rebuild Kit .....</b>	<b>38.50 kit</b>
9504	65	<b>396 Water Pump Rebuild Kit .....</b>	<b>51.50 kit</b>
9505	66-67	<b>427 Water Pump Rebuild Kit .....</b>	<b>51.50 kit</b>
1274	63-67	327 90 Degree Top Water Pump Fitting ....	16.00 ea
3076	63-67	Water Pump Attaching Bolt Kit all Small Block exc Air or A.I.R. ....	8.00 set
8727	64-67	Water Pump Attaching Bolt Kit all Small Block w/Air .....	12.50 set
8728	65-67	Water Pump Attaching Bolt & Stud kit all Big Block (1 Stud, 3 Bolts) .....	14.00 set
8729	65-67	Water Pump Attaching Upper RH Stud 396, 427 .....	5.00 ea
8674	66-67	Water Pump Attaching Stud - Upper LH with A.I.R. ....	4.50 ea
3354	63-67	SB Water Pump Mounting Gaskets .....	3.00 pr
3377	63-67	BB Water Pump Mounting Gaskets .....	3.00 pr
9530	63-67	3/4" to 1/2" N.P.T. Adapter .....	7.00 ea

**WATER PUMP PULLEYS - See Page 82**

**By Pass Hoses and Fittings  
Pages 70 and 99**

**COOLING SYSTEM (cont.)**



**Water Outlets, Fan Blades, Fan Clutches, Fittings, By Pass Hoses, and Related**

3109	63-67	Thermostat Housing - Cast Iron 63-65 w/250-300 HP, 65 396, 66-67 327/350HP, 67 L-88 #3827369 <b>CORRECT</b> .....	52.00 ea
3166	63-65	Thermostat Housing - Fits 327/340 thru 375 HP #3827370 S.S.- <b>Correct</b> .....	57.00 ea
3134	66-67	Thermostat Housing All 327 exc 350 & All 427 exc.L-88 ( <b>Correct</b> Repro) #3877660 Aluminum .....	45.00 ea
3104	63-67	Thermostat Housing Bolt Kit "TR" Headmark 63-65 All 327 (exc SpHiPer) &396 66-67 w/327 SpHiPer use with #3109 .....	5.00 pr
3173	63-65	Thermostat Housing <b>S.S.</b> Stud Kit - use with #3166 .....	8.00 pr
3113	63-65	Thermostat Housing <b>Steel</b> Stud Kit - use with #3166 .....	4.50 pr
3169	65-67	396 Thermostat Housing Spacer - Aluminum also Fits 67 L-88 & 66-67 w/A.I.R. ....	29.00 ea
3114	66-67	Thermostat Housing Bolt Kit "TR" and "WB" Headmark (use with #3167 or #3134) .....	5.50 pr
3139	63-67	Thermostat Housing Gasket - GM .....	2.50 ea
1061	63-67	Fan Blade, SB exc. Air (Clutch Type) 17.5" Blade .....	75.00 ea
1062	64-67	Fan Blade - 7 Blades w/Air & Big Blk.....	<b>INQUIRE</b>
3136	66-67	Fan Blade - 5 Blades 17 1/2" Diameter Fits 427 exc Air (34.5 pitch) .....	169.00 ea
3137	65	396 Fan Blade - 5 Blades 17" Dia .....	210.00 ea
1063	63-67	Fan Clutch .....	119.00 ea
1011	63-67	Fan Clutch to Water Pump Bolts w/Fine Threads .....	7.00 set
8633	63-67	Fan to Fan Clutch Stud Set (4 pcs) .....	6.00 set
9433	63-67	Fan to Clutch Nut & Washer Set (8 pcs) ....	2.00 set
3193	63-67	327 By-Pass Hose - Water Pump .....	7.00 ea
3195	65-67	396-427 By-Pass Hose - Water Pump .....	6.00 ea
3841	65-67	Water Pump or Intake Manifold By-Pass Pipe - Press in Type w/396, 427-2 req .....	5.50 ea
1259	63-67	By-Pass Fitting on Intake Manifold (63-67 w/Sp HiPer ) .....	8.00 ea
1274	63-67	327 90 Degree Top Water Pump Fitting ....	16.00 ea
1074	63-67	Reinforcement - Water Pump Pulley .....	7.00 ea



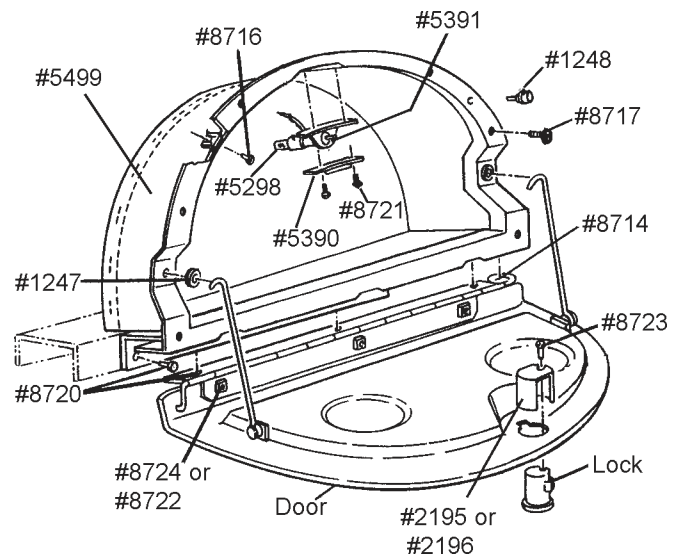
Also see **ENGINE, HEATER, FASTENERS.**

**DASH**

**Glove Box**

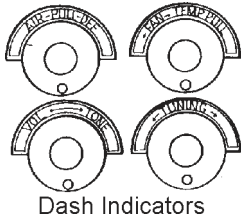
5518	63	Glove Box Door Assembly .....	429.95 ea
5405	64-65	Glove Box Door Assembly .....	239.95 ea
5498	66-67	Glove Box Door Assembly .....	239.95 ea
5656	64-65	*Glove Box Door Repair Kit .....	23.00 ea
5517	66-67	*Glove Box Door Repair Kit .....	23.00 ea
<b>#5656 and #5517 have the correct finish and are pre-drilled.</b>			
5513	64-65	Glove Box Door Emblem .....	35.95 ea
5544	66-67	Glove Box Door Emblem .....	35.95 ea
2189	63	Glove Box Lock (housing & tumbler) .....	30.00 ea
2190	64-66	Glove Box Lock (housing & tumbler) .....	30.00 ea
10024	67	Glove Box Lock (housing & tumbler) .....	30.00 ea
2195	63	Glove Box Lock Retainer .....	9.00 ea
2196	64-67	Glove Box Lock Retainer .....	9.00 ea
8723	63-67	Glove Box Catch Screw & Lockwasher .....	1.25 ea
5499	63-67	Glove Box Liner Assembled w/Clips Installed .....	22.00 ea
8716	63-67	Glove Box Liner Screws (9) .....	5.00 set
5274	63-67	Glove Box Bulb .....	1.50 ea
5298	63-67	Glove Box Bulb Shield .....	8.50 ea
5390	63-67	Glove Box Door Striker .....	7.50 ea
8721	63-67	Glove Box Striker Screws (2) .....	1.50 pr
5391	63-67	Glove Box Light Socket & Switch Assy .....	6.95 ea
1247	63-67	Glove Box Rod Grommet .....	2.00 pr
1248	63-67	Glove Box Door Bumpers. ....	2.00 pr
8717	63-67	Glove Box Frame Screws (6). ....	5.50 set
5378	63-67	Glove Box Frame Screw U-Nut Set (6 pcs) .....	4.00 set
8720	63-67	Glove Box Lower Hinge & Support Screws (7) .....	4.00 set
8714	63-67	Glove Box Hinge Spring Screw & Washer ..	1.75 ea
8724	63	Glove Box Door to Hinge Screw & Washer (3 pr) .....	2.50 set
8722	64-67	Glove Box Door to Hinge Screw & Washer (3 pr) .....	3.00 set

**DASH Section continued on next page.**

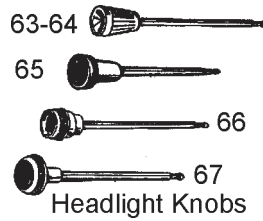




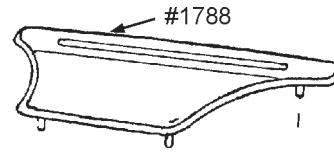
## DASH (continued)



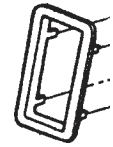
Dash Indicators



Headlight Knobs

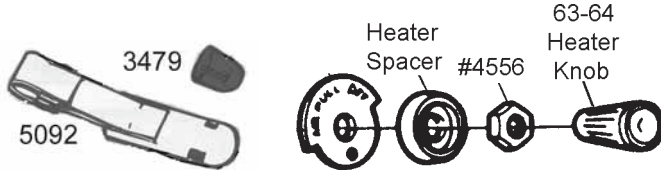


#5407



## Dash Indicators & Knobs

5459	63	Dash Bezel Set - No Air (4 pc set)	59.95 set
5469	63	Dash Bezel Set - w/Air (6 pc set)	209.95 set
5475	63	Radio Dash Bezel (2 pcs)	31.00 set
5476	64	Dash Indicator Bezel Set - No Air (4 pcs)	17.00 set
5477	64	Dash Indicator Bezel Set - w/Air (6 pcs)	22.00 set
5452	65-67	Dash Indicator Bezel Set - No Air (4 pcs)	12.00 set
5453	65-67	Dash Indicator Bezel Set - w/Air (6 pcs)	15.00 set



1619	63-65	Radio Tone Knob & Spacer - Satin (Dull)	20.50 pr
1620	66-67	Radio Tone Knob & Spacer - Chrome	20.50 pr
4544	64-65	Radio & Heater Spacer Set (4 Pc Set) - Satin	42.00 set
4547	66-67	Radio & Heater Spacer Set (4 Pc Set) - Chrome	42.00 set
4548	63-64	Heater Defrost Knob (Screw on Type)	18.50 ea
4549	63-64	Heater Fan Knob (Set Screw Type)	18.50 ea
5422	65	Heater Defrost Knob (Screw on Type)	18.50 ea
5423	65	Heater Fan Knob (Set Screw Type)	18.50 ea
4552	66	Heater Defrost Knob (Screw on Type)	18.50 ea
4553	66	Heater Fan Knob (Set Screw Type)	18.50 ea
4554	67	Heater Defrost Knob (Screw on Type)	18.50 ea
4555	67	Heater Fan Knob (Set Screw Type)	18.50 ea
4556	63-67	Nut for Heater Cables on Dash and 67 Air Vent Cable	5.00 ea
5092	64-67	Heater Bulb Metal Socket Holder w/Shade	26.00 ea
5093	64-67	Air Cond Bulb Metal Socket Holder w/Shade (set of 3)	64.00 set
3479	65-67	Green Cover for Htr/AC Light Socket Holder	3.50 ea
2204	65	Rear Blower Knob - Coupe	10.00 ea
2203	65-66	Fresh Air Vent Cable Knob	10.00 ea
5926	67	Fresh Air Vent Cable Knob on Radio Side Panel	18.00 ea
4558	63	Headlight Knob w/Rod	26.00 ea
4539	64	Headlight Knob w/Rod	26.25 ea
5438	65	Headlight Knob w/Rod	26.00 ea
4559	66	Headlight Knob w/Rod	26.00 ea
4561	67	Headlight Knob w/Rod	26.00 ea
3600	63-67	Headlight Door Open Switch - under dash	109.00 ea
8705	63-67	HL Door Open Switch Mtg Screws & Nuts	1.75 set
4562	63-67	Headlight Switch Nut	16.50 ea
5367	63-64	Wiper/Washer Knob	30.00 ea
5440	65	Wiper Knob	19.50 ea
4563	66	Wiper Knob	19.50 ea
4564	67	Wiper Knob	19.50 ea
4567	63-67	Wiper Switch Nut	5.50 ea

## Dash Miscellaneous

5308	63-67	Dash Side Rivets to Door Jamb - Black (10 pcs)	3.00 set
8715	63-67	Dash Cluster Screws (5 pcs)	5.00 set
4568	63-67	Dash Cluster "U" Nuts (5 pcs)	3.00 set
5329	63-67	Dash Pad Retainer Clip	3.00 ea
8476	63-67	<b>Dash Pad Clip Set (28 pcs)</b>	<b>58.00 set</b>
4569	63-67	Female Lighter Housing in Dash w/Nut	14.75 ea
5385	63-64	Cigarette Lighter w/Knob	28.00 ea
5411	65	Cigarette Lighter w/Knob	28.00 ea
4550	66	Cigarette Lighter w/Knob	28.00 ea
4551	67	Cigarette Lighter w/Knob	28.00 ea
4522	63-67	Lighter Element Only	7.25 ea
5314	63-67	Cigarette Lighter Lamp Shield	12.00 ea
5507	63-65	Ignition Switch Chrome Nut	8.50 ea
4572	66-67	Ignition Switch Chrome Nut	11.00 ea
5407	63-67	Radio Trim Ring Bezel	13.50 ea
1788	63-67	Speaker Screen Assembly	70.00 ea
5474	63-67	Trip Odometer Reset Knob	3.00 ea
5431	63-67	Trip Odometer Shaft Nut	5.00 ea
4573	63-64E	<b>Trip Odometer Reset Cable w/Nut &amp; Knob</b> 15 3/4" long with aluminum body	<b>48.00 ea</b>
5398	64L-67	<b>Trip Odometer Reset Cable w/Nut &amp; Knob</b> 15 3/4" long with a brass body	<b>48.00 ea</b>
4574	63-67	Trip Odometer Lens	10.50 ea

See Also INTERIOR, FASTENERS, RADIO and HEATER & AIR CONDITIONING Sections.



#4642

## DECALS

### Air Cleaner

4642	63-65E	w/Fl Air Cleaner Instructions (AC Type A163C)	6.00 ea
4643	65L	w/Fl Air Cleaner Instructions (#6418094)	6.00 ea
4650	67	327 Turbo-Fire w/300 HP	3.00 ea
4651	67	327 Turbo-Fire w/350 HP	3.00 ea
4660	65	396 Turbo-Jet w/Flags, 425 HP	5.00 set
4661	66	427 Turbo-Jet w/Flags, 425 HP	5.00 set
4662	66-67	427 Turbo-Jet w/Flags, 390 HP	5.00 set
4663	67	427 Turbo-Jet w/3X2 Carb 400 HP	4.00 ea
4664	67	427 Turbo-Jet w/3X2 Carb 435 HP	4.00 ea

### Glove Box

4692	66	Tire Air Pressure Sticker	3.00 ea
4693	67	Tire Air Pressure Sticker	3.00 ea
4700	64-66	w/K.O. Wheel Maintenance Instructions for Owners Packet	3.50 ea
4701	67	Wheel Trim Ring Card - for owner's packet	3.50 ea

DECALS (continued)



Air Conditioning

4631	63-65	Air Cond. Window Decal	3.00 ea
4632	66	Air Cond. Window Decal	3.00 ea
4658	65	Harrison Heat Exchanger Sticker	7.00 ea
4659	66	Harrison Heat Exchanger Sticker	7.00 ea
4669	67	Harrison Heat Exchanger Sticker	7.00 ea
4676	63-65	Air Compressor Warning	4.00 ea
4677	64-65	Frigidaire Air Compressor Sticker	6.00 ea
4678	66	Frigidaire Air Compressor Sticker	6.00 ea
4679	67	Air Compressor Sticker	6.00 ea

Cooling System & Radiator

4523	63	Harrison Metal Plate	11.00 ea
4634	63-67	Small Block Harrison Radiator - Foil	3.95 ea
4684	63-64E	Caution Filler Cap Warning (Dec 62-Apr 64)	3.00 ea
4686	64L-66E	Caution on Shroud or Frame (64 on radiator, 65 shroud)	3.00 ea
4687	63E	Caution on Expansion Tank (before 12-62)	3.00 ea
9062	63-67	#3 and #7 Radiator & Exp Tank Decals	3.00 pr
4688	63-67	Green Tank Inspection #8	2.50 ea
4689	63-67	Green Radiator Inspection #3	2.50 ea
4691	66-67	427 Fan Shroud Label Set "DF" (3 pc set)	3.50 set
4894	66-67	427 Fan Shroud Label Set w/Air	3.50 set



#4624 or #4633



#4693



#4627

CAUTION

THIS VEHICLE EQUIPPED WITH LIMITED SLIP DIFFERENTIAL. REAR WHEEL MAY DRIVE IF IN CONTACT WITH GROUND EVEN THOUGH OPPOSITE WHEEL IS RAISED. DO NOT RUN ENGINE WITH VEHICLE ON JACK UNLESS TRANSMISSION IS IN NEUTRAL OR PARK. SEE OWNER'S MANUAL.

#4681

JE

#4630 Example

Engine Compartment

4696	63	#309-D Heater/Blower Motor Inspection Sticker	4.50 pr
4697	64-67	#369-H Heater/Blower Motor Inspection Sticker	4.50 pr
(One is located on Blower Motor Flange and one on Bottom of Interior Heater Fiberglass Housing)			
4698	67	Master Cylinder Bail Label "Y C"	3.50 ea
4699	67	Master Cylinder Bail Label "T G"	3.50 ea
4707	67	Master Cylinder Bail Label "YA"	3.50 ea
4603	63-67	Oil Filter Canister Decal	3.00 ea
4608	64-67	Transistorized Ignition Coil Decal	3.50 ea
4754	64-67	Trans. Ignition Amplifier Sticker	3.50 ea

Jacking Instructions

4672	63-66	Jacking Instructions	3.00 ea
4673	63-66	w/K.O. Wheel Jacking Instructions	3.00 ea
4674	67	Jacking Instructions - All	3.00 ea
4536	63-66	w/36 Gallon Gas Tank, Jacking Instr.	11.00 ea

Miscellaneous

4690	67	GM Mark of Excellence on Door - Correct	11.00 pr
4695	64-66	Seat Belt Buckle Decal	10.00 pr
9060	65-66E	Seat Belt Retractor Instruction Tag	6.50 pr
9061	65-67	Jack Cover Board Carpet Inspection Label	2.50 ea

Positraction

4681	63-67	Positraction Label - Caution	4.00 ea
4706	63-64	Round Metal Tag on Rear End Filler Plug	10.00 ea
4635	65	Red Plastic Posi Plug Tag on Rear End w/lube #	9.00 ea
4683	66-67	Red Posi Plug Tag on Rear End	7.00 ea

Radio

4647	63E	Wonderbar Instruction Sheet	3.00 ea
4906	63E	AM/FM Radio Instructions #7285127	3.00 ea
4900	63L-64	AM/FM Radio Instructions #7286857	3.00 ea
4702	65-67	AM/FM Radio Instructions #7291985	3.00 ea
4898	63	AM/FM Pocket Radio Guide (after 10-15-62)	6.00 ea
4899	64	AM/FM Pocket Radio Guide	6.00 ea
4704	65	AM/FM Pocket Radio Guide	6.00 ea
4895	63E	FM Radio Ant Card - hung on RH knob	4.00 ea
4705	63L	FM Radio Ant Card - hung on RH knob	4.00 ea
4896	64-65	FM Radio Ant Card - hung on RH knob w/slit	4.00 ea
4897	65-66	FM Radio Ant Card - hung on RH knob no slit	4.00 ea
4709	67	FM Radio Ant Card - hung on RH knob	4.00 ea

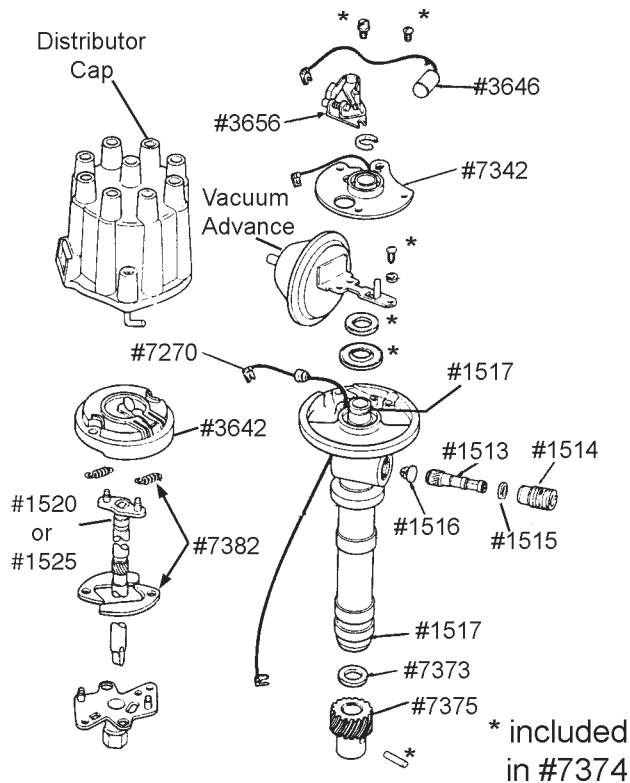
Suspension

4590	64-67	Front Coil Spring Label "ED" Standard	4.50 pr
4591	65-67	Front Coil Spring Label "EB" 396/427	4.50 pr
4592	65-67	Frt Coil Spring Label "EA" F-40, F-41, L-88	4.50 pr
4593	66-67	Front Coil Spring Label "EF" 427 w/Air	4.50 pr
4594	63-67	Shock Absorber Label Set "EK" & "EM" with Std. Suspension Front & Rear (4)	4.50 set
4595	63-67	Shock Absorber Label Set "EN" & "EP" w/ F-41 H.D. Suspension Front & Rear(4)	4.50 set
9063	63-67	Frt Sway Bar Tag - 327 Std	2.50 ea
9064	65-67	Frt Sway Bar Tag - 396,427 Std	2.50 ea
9065	63-67	Frt Sway Bar Tag F-40, F-41, Z-06, L-88	2.50 ea

Valve Cover

4617	63-65	327 Base Engine w/250 HP (also requires #4624 or #4633 to complete)	3.00 pr
4618	63-65	327 w/300 HP (also requires #4624 or #4633 to complete)	3.00 pr
4619	63	327 w/340 HP	3.00 pr
4620	63	327 w/FI 360 HP	3.00 pr
4624	63E	327 Turbo-Fire w/250-300 HP (Black & Gold Embossed Aluminum)	10.00 pr
4633	63L-65	327 Turbo-Fire w/250-300 HP (Mylar Sticker)	6.00 pr
4611	66	327 Turbo-Fire w/300 HP	5.00 pr
4621	65-66	327 Turbo-Fire w/350 HP	3.00 pr
4622	64-65	327 Turbo-Fire w/365 HP	3.00 pr
4623	64-65	327 Turbo-Fire w/FI, 375 HP	3.00 pr
4625	67	All 427 Tonawanda No. 1 Team	3.50 ea
4627	67	Flint #1 Team w/300/350 HP	2.50 ea
4630	66-67	Valve Cover Engine Code Letters (Specify Year, Horsepower, Type of Trans and with or without T.I. Igniton)	3.50 pr

## DISTRIBUTOR & RELATED

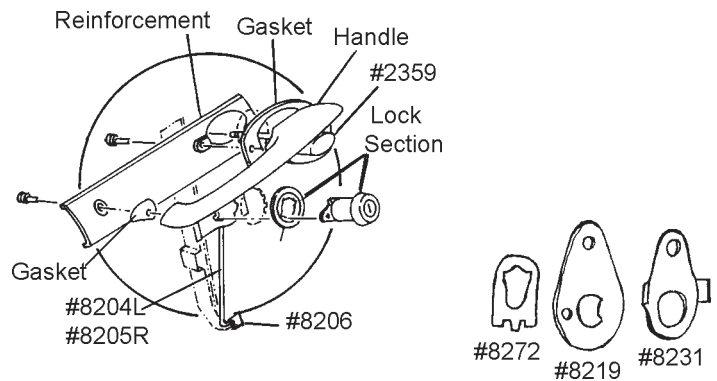


1529	63-67	*Tach Drive Distributor Single Point Standard <b>Rebuilt</b> (except TI).....	319.00 ea LD
1527	63-67	*Tach Drive Distributor Single Point HiPer <b>Rebuilt</b> (except TI).....	319.00 ea LD
10581	63-67	Tach Drive Distributor Single Point Standard - <b>NEW</b> (except TI).....	359.00 ea LD
10582	63-67	Tach Drive Distributor Single Point HiPer - <b>NEW</b> (except TI).....	369.00 ea LD
10402	66-67	Tach Drive Distributor 390/400 <b>NEW</b> (except TI).....	429.00 ea LD
7386	64-67	<b>Transistor Ignition Amplifier</b> - Correct ..	299.00 ea
7366	65-67	<b>Transistorized Ignition</b> Integrated Circuit Module (replaces internals of existing TI Amp Box with upgraded electronic module) ...	149.00 ea
10090	63-67	<b>Electronic Ignition Conversion Kit</b> (exc TI) Pertronix Ignitor II - get the benefits of a modern high energy system but keep a stock look. Eliminates points and condenser with an electronic module to promote fuel economy, quicker starts, longer plug life and more horsepower. The powerful microcontroller controls dwell for improved performance.....	119.95 kit
3652	63-67	Dist. Cap (Single Window) - Repl .....	15.00 ea
3654	63-65	Dist. Cap w/Fl. - Repl (Repl) .....	23.00 ea
3656	63-67	Dist. Points .....	12.00 ea
3646	63-67	Dist. Condenser .....	5.50 ea
3642	63-67	Dist. Rotor .....	5.50 ea
1520	63-67	Dist. Main Shaft w/Sp HiPer .....	59.95 ea
1525	63-67	Dist. Main Shaft exc. Sp HiPer .....	59.95 ea
7342	63-67	Breaker Plate, Single Point .....	22.50 ea
1517	63-67	Dist. Main Shaft Upper & Lower Bushings ..	18.95 set
1518	63-67	Installation Tool - Upper & Lower Bushing ...	8.50 ea



1513	63-67	Dist. Cross Shaft Gear - Improved .....	25.50 ea
1514	63-67	Dist. Coupling for Cross Shaft Gear .....	16.00 ea
1515	63-67	Dist. Cross Shaft Gear Thrust Washer .....	2.00 ea
1516	63-67	Dist. Cross Shaft Gear Plastic Button .....	2.00 ea
10622	63-67	Dist. Cross Shaft Gear Brass Button .....	6.50 ea
7270	63-67	Dist. to Coil Lead Wire .....	10.00 ea
7373	63-67	Dist Shim Kit .....	6.00 kit
7374	63-67	Dist. Small Parts Kit - includes points and condenser screws, grommet, felt & plastic washers, lower gear pin and spring clip .....	8.50 kit
7375	63-67	Dist. Lower Drive Gear .....	28.50 ea
7382	63-67	Dist. Spring & Weight Kit.....	15.00 kit
7384	63-67	Dist. Hold Down Clamp w/Bolt - Wire Type ..	11.00 ea
7385	63-67	Dist. Mounting Gasket .....	2.00 ea
3575	63-67	42 AMP Voltage Regulator (exc TI) Delco ..	48.00 ea
10097	63-67	42 AMP Voltage Regulator (exc TI) Non-Delco .....	34.00 ea
3661	63-67	Ignition Coil exc. T.I. - U.S. Made - Repl ..	32.50 ea
<b>CORRECT Ignition Coils - See Page 78</b>			
7344	63-67	Vacuum Advance, exc. Sp HiPer .....	15.50 ea
7347	63-67	Vacuum Advance, w/Sp HiPer .....	15.50 ea
3565	63-64	Coil Ballast Resistor w/SpHiPer & Fl .....	18.00 ea
3566	63-67	Coil Ballast Resistor (63-64 exc SpHiPer, 65-67 All) .....	18.00 ea
1551	63-65	F.I. Drive Cable - Inner Flex Shaft Only (6 3/4" long) .....	27.00 ea
1624	63-65	Fl Drive Cable - Inner Flex Shaft Only (6 5/16" long) .....	27.00 ea
7359	63-67	Delco Remy Dist. I.D. Band - Date Stamped (allow 2 weeks for delivery) .....	25.00 ea ND
1989	63-67	Tach Cable Adaptor - connects to back of dist to prevent cable from breaking .....	49.00 ea

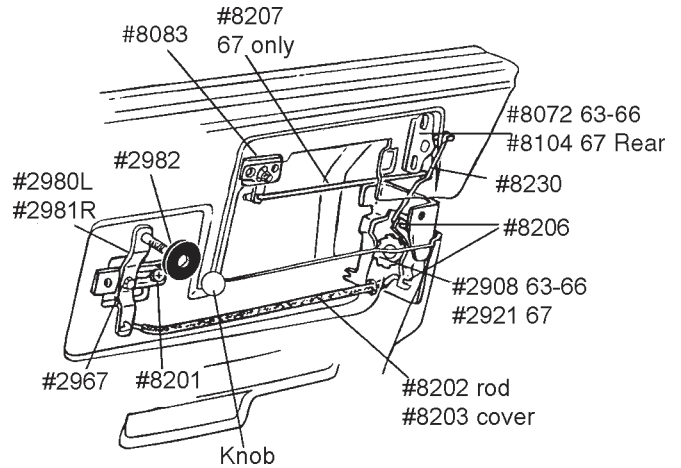
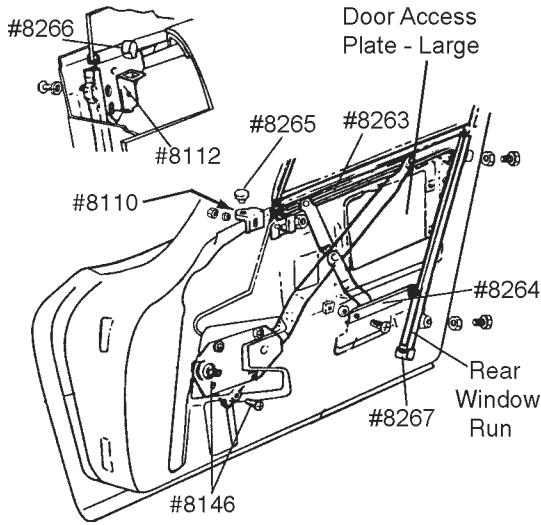
## DOOR



8236 *	63-64E	<b>Door Handle Assemblies - US Made .....</b>	<b>76.95 set</b>
8237 *	64L-67	<b>Door Handle Assemblies - US Made .....</b>	<b>76.95 set</b>
10298 *	63-64E	<b>Door Handle Assemblies - Imported .....</b>	<b>59.95 pr</b>
10299 *	64L-67	<b>Door Handle Assemblies - Imported .....</b>	<b>59.95 pr</b>
* Include Handles, Push Buttons (w/rods, springs, retainers), Gaskets			
2359	63-67	Door Handle Buttons w/ Springs and Retainers .....	18.95 pr
2381	63-64	Door Handle Gasket Set .....	4.00 set
2382	65-67	Door Handle Gasket Set .....	4.00 set
3001	63-64E	Door Handle Reinforcements .....	11.00 pr
3010	64L-67	Door Handle Reinforcements .....	11.00 pr
8204	63-67	Door Lock Rod - from outside lock - Lt .....	5.50 ea
8205	63-67	Door Lock Rod - from outside lock - Rt .....	5.50 ea
8206	63-67	Lock Rod End Retainers .....	1.00 ea
8231	63-66	Door Lock Pawl .....	3.50 ea
8232	63-66	Door Lock Pawl Retainer .....	2.50 ea
8219	67	Door Lock Pawl .....	2.50 ea
8272	67	Door Lock Pawl Retainer .....	1.50 ea

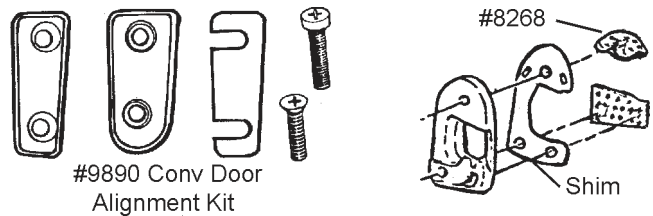
**LOCKS - See Lock Section**

## Door (continued)



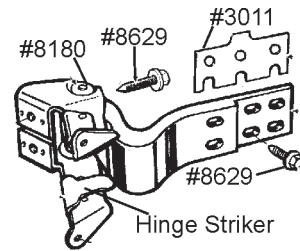
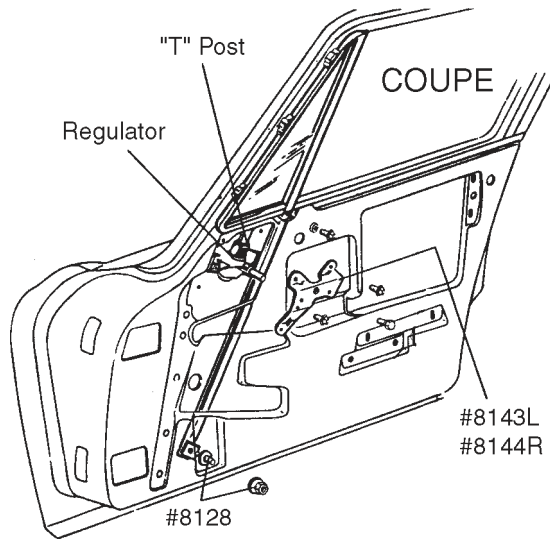
8195	63-65	Door Access Plate, Front/Small - Lt .....	16.50 ea
8196	63-65	Door Access Plate, Front/Small - Rt .....	16.50 ea
8197	63-65	Door Access Plate, Rear/Large - Lt .....	16.50 ea
8198	63-65	Door Access Plate, Rear/Large - Rt .....	16.50 ea
8199	63-65	Access Plate Screw & "U" Nuts (24 pcs) .....	6.50 set
8116	66-67	Door Pull Reinforcement w/Rivet .....	22.00 set
8233	63-67	Door Window Regulator Crank Foam Seal (behind door panel) .....	3.50 pr
8210	63-67	Window Track & Regulator Roller Set w/ Rivets (6 rollers & 6 rivets) Repl .....	23.00 set
8263	63-67	Upper Window Regulator Roller Track - Long .....	20.00 ea
8264	63-67	Lower Window Regulator Roller Track - Short .....	17.00 ea
8110	63-67	Conv Front Upper Window Stop Bumper Bracket .....	11.00 ea
8265	63-67	Conv Front Upper Rubber Window Stop On Support .....	1.00 ea
8112	63-67	Conv Rear Upper Window Stop Bumper Bracket in Door .....	11.00 ea
8266	63-67	Conv Rear Upper Rubber Window Stop on Support .....	3.00 ea
8267	63-67	Lower Window Channel Bumper(2 req) .....	1.00 ea
8245_10031_	63 63L-67	<b>Rear Window Run - Specify Lt or Rt</b> .....	<b>49.00 ea</b>
8316_	64-67	<b>Conv Rear Window Run - Specify Lt or Rt</b> .....	<b>49.00 ea</b>
8271	63	Black Door Opening Knob .....	9.50 pr
8360	64-67	Chrome Door Opening Knob, Metal correct .....	13.50 ea
2999	63-66	Door Vapor Barrier - Paper Type .....	16.00 pr
2995	67	Door Vapor Barrier - Plastic Type .....	14.00 pr
1252	63-67	Power Window Conduits .....	79.00 pr
10628	63-67	Power Window Motor w/Gear - Repl - Lt .....	89.95 ea
10629	63-67	Power Window Motor w/Gear- Repl - Rt .....	89.95 ea
9955	63-67	**Delco Power Window Motor w/Gear - Lt .....	129.00 ea
9956	63-67	**Delco Power Window Motor w/Gear - Rt .....	129.00 ea
<b>**#9980 is required for use with #9955 and #9956</b>			
9980	63-67	Power Window Motor Special Adapter Harness .....	10.00 ea
9985	63-67	Power Window Motor Gear w/bushing .....	30.00 ea
8259	63-67	Power Window Regulator Gear .....	29.00 ea
8262	63-67	Manual Window Regulator Gear w/ bushing .....	29.00 ea
8146	63-67	Window Regulator to Door Screws (8) .....	6.50 set
10239	63-82	Power Window Motor Mount Plate .....	9.50 ea

8230	63-67	Inside Vertical Door Lock Rod (knob to mechanism) .....	5.50 ea
8206	63-67	Lock Rod End Retainers .....	1.00 ea
2980	63-67	Door Inside Pull Opening Mechanism - Lt ..	16.00 ea
2981	63-67	Door Inside Pull Opening Mechanism - Rt ..	16.00 ea
2967	63-67	Door Opening Control Repair Springs .....	5.00 pr
2982	63-67	Door Open Mechanism Round Plastic Shield .....	5.00 pr
8201	63-67	Door Opening Mechanism Screws .....	3.00 set
8202	63-67	Door Opening Mechanism Pull Rod (from Mech. to Lock) - Lt or Rt .....	8.00 ea
8203	63-67	Door Open Mech Pull Rod Cloth Cover .....	6.00 pr
2908	63-66	Door Latch Mechanism Repair Kit, Lt & Rt ..	35.00 pr
2921	67	Door Latch Mechanism Repair Kit, Lt & Rt ..	39.00 pr
8735	63-67	Door Latch Mtg Screws in Door End (8) .....	4.75 set
8072	63-66	Remote Door Locking Control .....	27.50 ea
8083	67	Remote Door Locking Control, Front with Shaft .....	27.50 ea
8104	67	Remote Door Locking Control, Rear no knob Shaft .....	27.50 ea
8207	67	Inside Horizontal Door Lock Rod .....	8.50 ea



8268	63-67	Door Striker Anti-Skid Plates (4 pcs) .....	27.00 set
8269	63-67	Door Striker Shim (.06 thick) .....	8.00 ea
8270	63-67	Door Striker Shim (.120 thick) .....	8.00 ea
8734	63-67	Door Striker Screws (6) .....	10.00 set
8261	63-67	Metal Door Wedges - Conv. Door .....	13.00 pr
2927	63-67	Conv Door Wedge on Jamb - Plastic .....	17.50 pr
8736	63-67	Door Wedge Screws (8) .....	4.00 set
9890	63-67	Conv & Door Alignment Wedges (2) Plastic, (2) Metal, (4) Shims & Screws (8) .....	34.95 set

Continued on NEXT PAGE

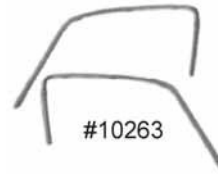
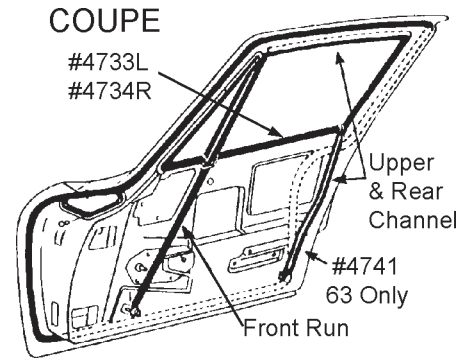


8181	63-67	Door Hinge Pin & Bushing Set (4 Correct Length Pins & 8 Bushings) .....	17.95 set
8180	63-67	Door Hinge Pins - Correct Length .....	4.00 ea
2922	63-67	Door Hinge Bushing Set (8 pcs) .....	4.00 set
3011	63-67	Door Hinge Shim .....	3.00 ea
8629	63-67	Door Hinge Screw Set (32 pcs) .....	38.00 set
8082	63-67	Door Hinge Strikers (1 pair) w/rivets .....	11.00 pr

## Window Channels & Seals

### Vent Window & Wing

8194	63-67	Vent Window Channel Set Tape .....	8.00 pr
8238	63-67	Vent Window Crank Seal .....	3.50 pr
2978	63-64	Vent Window Crank Handle - nice repro .....	14.95 ea
6743	63-64	Vent Window Crank Handle - exact repro .....	20.00 ea
2979	65-67	Vent Window Crank Handle .....	17.95 ea
10222	63-64	Vent Window Regulator - Coupe - Lt .....	129.95 ea
10223	63-64	Vent Window Regulator - Coupe - Rt .....	129.95 ea
10224	65-67	Vent Window Regulator - Conv - Lt .....	129.95 ea
10225	65-67	Vent Window Regulator - Conv - Rt .....	129.95 ea
10226	63-67	Vent Window Regulator (63-64 Conv and 65-67 Coupe) - Lt .....	129.95 ea
10227	63-67	Vent Window Regulator (63-64 Conv and 65-67 Coupe) - Rt .....	129.95 ea
8239	63-67	Vent Wing Hinge Rivet - Coupe S.S. ....	2.00 ea
8240	63-67	Coupe Vent Hinge (rivets on door) - Lt .....	16.00 ea
8241	63-67	Coupe Vent Hinge (rivets on door) - Rt .....	16.00 ea
8242	63-67	Coupe Vent Hinge (welds on vent) - Lt .....	8.00 ea
8243	63-67	Coupe Vent Hinge (welds on vent) - Rt .....	8.00 ea
8244	63-67	Conv. Vent Frame "T" Post - Lt or Rt .....	16.00 ea
8246	63-67	Coupe Vent Frame "T" Post - Lt .....	16.00 ea
8247	63-67	Coupe Vent Frame "T" Post - Rt .....	16.00 ea
8248	63-67	Conv. Vent Wing Pivot - Lt .....	32.00 ea
8249	63-67	Conv. Vent Wing Pivot - Rt .....	32.00 ea
8128	63-67	Vent Window Lower Studs & Nuts (2 of each) .....	19.00 set
8143	63-67	Coupe Vent Window Regulator Bracket - Lt .....	13.50 ea
8144	63-67	Coupe Vent Window Regulator Bracket - Rt .....	13.50 ea

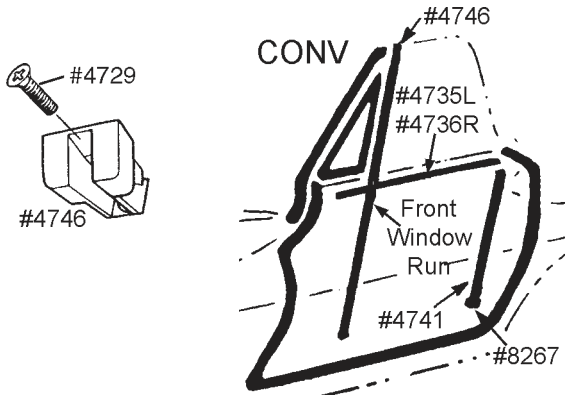


10263	63-67	Coupe Door Jamb Drip Rail Moldings .....	569.00 pr ND
8188	63-67	Door Glass Channel Set Tape .....	8.00 pr
4733	63-67	Coupe Outer Door Glass Rubber Seal - Lt ..	10.00 ea
4734	63-67	Coupe Outer Door Glass Rubber Seal - Rt ..	10.00 ea
8732	63-67	Outer Door Glass Seal Screws (12) .....	3.00 set
4715	63-67	Coupe Inner Window Felt & S.S. Trim on Door Panel .....	46.95 pr
1189	63-67	Inner Window Felt Staples (25 pcs) .....	3.00 set
4742	63-67	Coupe Front Window Run Channel - Pre-Punched .....	22.00 pr
8251	63-67	Coupe Front Window Run Channel - Curved and Pre-Punched as original w/Mtg Kit. ..	42.50 pr
8253	63-67	Front Window Channel Rivet Set (4 pcs) .....	2.25 set
8254	63	Coupe Window Channel Upper & Rear PreBent w/Clips Installed .....	82.50 pr
8256	63	Coupe Window Channel Upper & Rear PreBent w/Clips Installed and Metal Corner Reinforcement .....	150.00 pr
8257	63	Coupe Rear Window Channel Metal Corner Reinforcement .....	27.00 pr
4741	63	Coupe Rear Window Run Liner .....	6.00 ea
8200	64-67	Coupe Window Channel Upper & Rear Prebent w/Clips Installed - CORRECT Square Outer Bead .....	85.00 pr
8260	64-67	Coupe Side Window Corner Trim Felt Repair Kit .....	5.50 pr
2909	63-67	Snap in Clips - for Coupe Upper & Rear Channel (20 pcs) .....	9.00 set



63-67 CONV Window Channels & Seals - See Next Page

Window Channels & Seals (continued)



8188	63-67	Door Glass Channel Set Tape .....	8.00	pr
4735	63-67	Conv Outer Door Glass Rubber Seal - Lt ...	10.00	ea
4736	63-67	Conv Outer Door Glass Rubber Seal - Rt ..	10.00	ea
8732	63-67	Outer Door Glass Seal Screws (12) .....	3.00	set
4717	63-66	Conv Inner Window Felt & S.S. Trim on		
		Door Panel .....	46.95	pr
5214	67	Conv Inner Window Felt & S.S. Trim on		
		Door Panel .....	46.95	pr
1189	63-67	Inner Window Felt Staples (25 pcs) .....	3.00	set
8250	63-67	Conv. Front Window Run Channel -		
		Pre-Punched .....	22.00	pr
8252	63-67	Conv. Front Window Run Channel - <b>Curved</b>		
		<b>and Pre-Punched</b> as original w/Mtg Kit ...	42.50	pr
8253	63-67	Front Window Channel Rivet Set (4 pcs) .....	2.25	set
4746	63-67	Conv. Upper Stop (top of vent window) .....	7.50	ea
4729	63-67	Conv Upper Stop Screws .....	1.25	pr
4741	63-67	Conv. Rear Window Run Liners (also fits		
		63 Cpe and Conv) .....	6.00	ea
2638	63-67	Conv. Windshield Pillar Weatherstrip		
		Stainless Steel Retainer w/Screws .....	26.00	ea
8267	63-67	Lower Window Channel Bumper (2 req) .....	1.00	ea

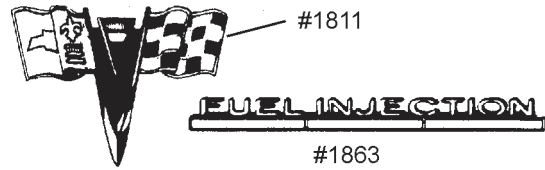
Also see WEATHERSTRIP, EXTERIOR TRIM and INTERIOR.

**10% OFF  
DISCOUNT OFFER**

**You can receive 10% off the Purchase of \$750 worth of any combination of products currently available in this catalog. ND (No Discount) items may be included in total parts value but receive no discount. This offer applies to a single order of \$750.00 - No Accumulations**

Some restrictions apply.

**EMBLEMS**



**Front**

1811	63-64	Front Emblem (Show Quality) .....	39.95	ea
1812	65	Front Emblem - Correct Orange Red .....	54.50	ea
1834	66	Front Emblem - Correct Dark Red .....	54.50	ea
1813	67	Front Emblem .....	38.00	ea

**Fuel Injection**

1863	63-64	F.I. Side Emblem .....	61.75	pr
1864	65	F.I. Side Emblem .....	59.75	pr
1865	63-65	F.I. Plenum Cross Flags .....	36.75	ea



**Rear**

1877	63-65	Rear Emblem - GM .....	35.50	ea
1869	63-65	Rear Emblem - Show Quality .....	41.50	ea
1825	66-67	Rear Emblem & 66 Hood .....	41.00	ea

**Side**

1846	63E	Side Emblem (Thin) Cross Flags - <b>Show Quality GM Restoration Part</b> .....	52.95	pr
10089	63E	Side Emblem (Thin) Cross Falgs - <b>Nice Repro</b> .....	30.00	pr
1871	63L-66	Side Emblem Cross Flags - Show Quality	53.95	pr
		<b>63 Early has mounting pegs with a 1 3/16" hole center measurement</b>		
		<b>63 Late measures 2 1/16"</b>		
1868	65	"396 Turbo-Jet" Front Fender Emblem - Show Quality .....	72.95	pr
1852	66	"427 Turbo-Jet" Front Fender Emblem .....	62.00	pr

**Gas Door**

1900	63E	Early Gas Door Emblem .....	39.00	ea
1901	63L	Late Gas Door Emblem .....	39.00	ea
1902	64	Gas Door Emblem .....	39.00	ea
1903	65	Gas Door Emblem .....	39.00	ea
1904	66	Gas Door Emblem (black square in upper left corner) .....	39.00	ea
2042	66	Gas Door Emblem (white square in upper left corner) .....	39.00	ea
1905	67	Gas Door Emblem (must be painted to match car) .....	41.50	ea

For Complete Gas Door Assemblies See Gas Tank Section

Speed Nut Sets are sold in the Fastener Section

## EMBLEMS (cont.)

**427**

#1832, #1830 and #1831

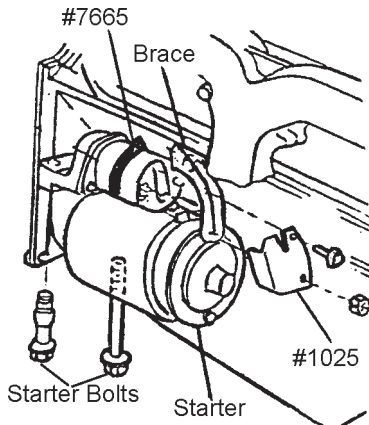


#1826L and #1827R

## Hood

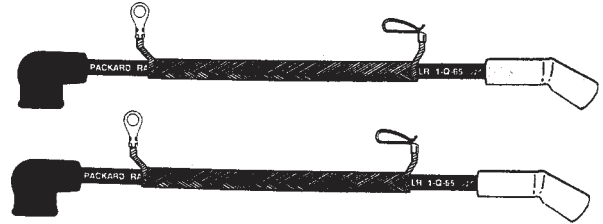
1890	63	Hood Grill Inserts .....	469.00 pr
1825	66	Hood Emblem and 66-67 Rear Emblem ....	41.00 ea
1826	65-66	Big Block Hood Grill - Lt .....	34.00 ea
1827	65-66	Big Block Hood Grill - Rt .....	34.00 ea
1828	65-66	Big Block Hood Grill Retainers (6 pcs) .....	13.50 set
1823	65-66	Big Block Hood Grill Rain Shields .....	20.00 pr
1829	67	Big Block Hood Scoop Front Insert .....	74.95 ea
10210	67	427 Hood Number Set (3 pcs) Show Quality (2 sets required per car) .....	41.50 set
9109	67	427 Hood Number Set (6 pcs) Import .....	34.95 set
1830	67	Number "2" on Hood .....	8.00 ea
1831	67	Number "7" on Hood .....	8.00 ea
1832	67	Number "4" on Hood .....	8.00 ea

## ENGINE & ENGINE COMPARTMENT



## Starter Braces, Etc.

7660	63	Starter Motor Brace 327 All .....	13.00 ea
7661	64-67	Starter Motor Brace 327 All .....	13.00 ea
7662	66-67	Starter Motor Brace 427 Manual .....	10.00 ea
7663	65-67	Starter Motor Brace 65 396, 427 Auto and 67 L-88 .....	16.00 ea
7665	66-67	Starter Solenoid Wire Clip w/427 .....	16.00 ea
1025	64-67	Starter Solenoid Shield w/327 .....	8.00 ea
8666	63-67	Starter Bolt Set 327, 396, L-88 .....	8.00 pr
8667	66-67	Starter Bolt Set 427 .....	6.00 pr



## Electrical System

Correct Dated Spark Plug Wires. These wires are assembled using the correct plug boots and the correct factory script and dates. **Specify Date**

1963	100001 thru 109814	3Q62	1966	100001 thru 115283	3Q65
	109815 thru 121513	1Q63		115284 thru 127720	1Q66
1964	100001 thru 112322	3Q63	1967	100001 thru 112264	3Q66
	112323 thru 122229	1Q64		112265 thru 122940	1Q67
1965	100001 thru 111059	3Q64			
	111060 thru 123564	1Q65			

### 327 Small Block Spark Plug Wire Sets - Dated

7470	63	Spark Plug Wires exc. FI (3 Q 62) .....	70.00 set
7471	63	Spark Plug Wires w/FI (3 Q 62) .....	70.00 set
7472	63	Spark Plug Wires exc. FI (1 Q 63) .....	70.00 set
7473	63	Spark Plug Wires w/ FI (1 Q 63) .....	70.00 set
7474	64	Spark Plug Wires exc. FI (3 Q 63) .....	70.00 set
7475	64	Spark Plug Wires w/FI (3 Q 63) .....	70.00 set
7476	64	Spark Plug Wires exc. FI (1 Q 64) .....	70.00 set
7477	64	Spark Plug Wires w/FI (1 Q 64) .....	70.00 set
7478	65	Spark Plug Wires exc. FI (3 Q 64) .....	70.00 set
7479	65	Spark Plug Wires w/FI (3 Q 64) .....	70.00 set
7480	65	Spark Plug Wires exc. FI (1 Q 65) .....	70.00 set
7481	65	Spark Plug Wires w/FI (1 Q 65) .....	70.00 set
7482	66	Spark Plug Wires - All (3 Q 65) .....	70.00 set
7483	66	Spark Plug Wires - All (1 Q 66) .....	70.00 set
7484	67	Spark Plug Wires - All (3 Q 66) .....	70.00 set
7485	67	Spark Plug Wires - All (1 Q 67) .....	70.00 set

**3490 63-67 Small Block Spark Plug Wires except FI - Correct wires and ends Repl (No Date) 35.50 set**

### 396 - 427 Big Block Spark Plug Wire Sets - Dated

7486	65	Braided Plug Wires w/Radio (4 Q 64) .....	115.00 set
7487	65	Braided Plug Wires w/Radio (1 Q 65) .....	115.00 set
7488	66	Braided Plug Wires w/Radio (3 Q 65) .....	115.00 set
7489	66	Braided Plug Wires w/Radio (1 Q 66) .....	115.00 set
7490	67	Braided Plug Wires w/Radio (3 Q 66) .....	115.00 set
7491	67	Braided Plug Wires w/Radio (1 Q 67) .....	115.00 set
7492	65-67	Spark Plug Wires w/o Radio -Specify Date	70.00 set
3491	65-66	Spark Plug Wires w/Radio -Correct wires & ends <b>No Date (Braided)</b> .....	105.00 set
3492	67	Spark Plug Wires w/Radio -Correct wires & ends <b>No Date (Braided)</b> .....	105.00 set
7629	65-66	Spark Plug Wire Terminals Clip 396/427 .....	9.00 set



HORNS



Temperature Sending Unit

<b>10403</b>	<b>64-67</b>	<b>Horns - Correct Reproduction with Brackets (says "Delco Made in USA") .</b>	<b>129.00 pr</b>
<b>10404</b>	<b>63-67</b>	<b>Horns - Replacement (Delco Look-a-Like) with Universal Brackets .....</b>	<b>99.00 pr</b>
3119	63	Horn Repair Kit -does two original horns ...	16.00 kit
3120	64-67	Horn Repair Kit - includes rivets, gaskets, and diaphragms for 2 original horns .....	36.00 kit
3583	63-67	Water Temp. Sender - correctly calibrated	22.00 ea
7614	63-67	Green Temp Wire Lead w/Clip & Insulation .	5.50 ea
7613	63-67	Temp. Wire Insulation - Correct Size .....	2.50 ea

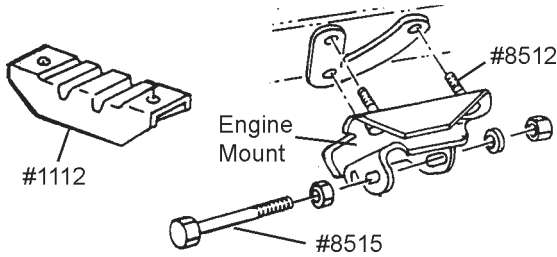
**ENGINE COMPARTMENT (cont.)**



**Electrical (cont)**

3575	63-67	42 AMP Volt Regulator (excTI) Delco .....	48.00 ea
10097	63-67	42 AMP Volt Regulator (exc TI) Non Delco	34.00 ea
7587	63L-67	Voltage Regulator Mounts & Screws - On Fender .....	6.50 set
1119	63-67	Brackets - for Temp. Wire on Valve Cover	7.00 pr
3661	63-67	Ignition Coil exc T.I.- US Made - Repl .....	32.50 ea
10541	63L-64	Std Ignition Coil (#087), 64 250/300HP .....	75.00 ea
10542	63E-64	Std Ignition Coil (#091), 64 HiPer .....	75.00 ea
10543	65-67	Std Ignition Coil (#202), 327 .....	75.00 ea
10544	66	Std Ignition Coil (#232), 390 HP .....	75.00 ea
10545	67	Std Ignition Coil (#264), 390/400 HP .....	75.00 ea
10546	65-67	T.I. Ignition Coil (#207), 350/375 HP .....	125.00 ea
10547	65-66	T.I. Ignition Coil (#210), 396/427 .....	125.00 ea
10548	66	T.I. Ignition Coil (#231), 427 .....	125.00 ea
10549	66	T.I. Ignition Coil (#261), 427 .....	125.00 ea
10550	67	T.I. Ignition Coil (#263), 427 .....	125.00 ea
<b>Coil Brackets - See Ignition Shielding</b>			
3565	63-64	Ign Coil Ballast Resistor (340-375HP)- .....	18.00 ea
3566	63-67	Ign Coil Ballast Resistor (63-64 250-300HP and 65-67 All) .....	18.00 ea

SEE WIRING and SWITCH Sections for more Electrical Items



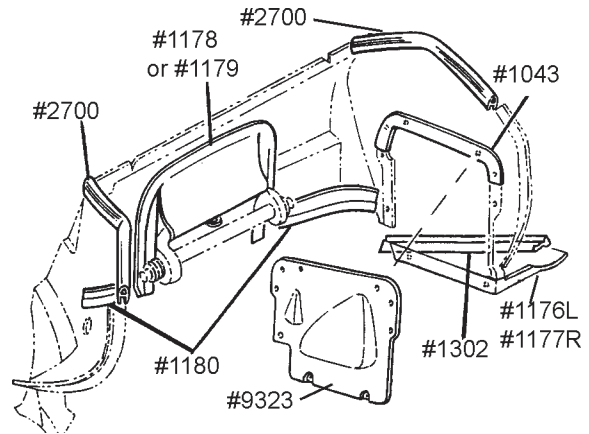
**Engine & Transmission Mount**

1103	63-67	Engine Mount - Non-Locking - Original .....	25.00 ea
1050	63-67	Engine Mount Non-Locking - Repl .....	15.00 ea
1104	63-67	Engine Mount - Locking Type .....	17.00 ea
8515	63-67	Engine Mount to Frame Bolts, Nuts and Washers .....	3.50 set
8512	63-67	Engine Mount to Engine Bolt Set "E" Head ..	8.00 set
1112	63-67	Transmission Mount .....	11.00 ea
5795	63-67	Trans Mount Bracket to Frame .....	48.00 ea
8510	63-67	Trans Mount to Bracket Bolt Set (4) .....	4.00 set
8511	63-67	Trans Mount to Trans Bolts & Washers .....	2.50 set

**Engine Compartment Seal Kits**

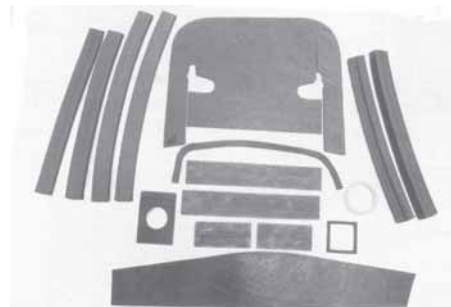
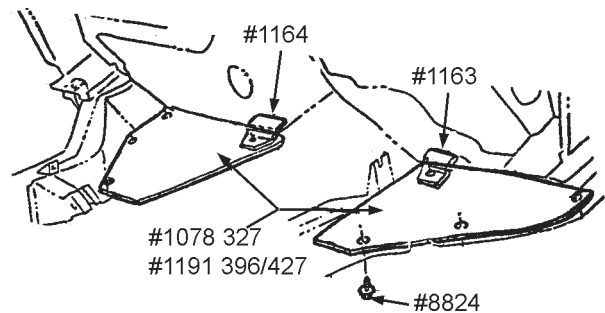
Seal Kits include seals for the following: a-arm flaps, fenders, splash shields, fuse box, wiper motor, steering column, fan shroud, etc plus staples.

7810	63	Seal Kit exc Air (16 pcs) .....	38.00 set
7811	63	Seal Kit w/Air (17 pcs) .....	41.00 set
7812	64-65	Seal Kit exc Air (16 pcs) .....	38.00 set
7813	64-65	Seal Kit w/Air (17 pcs) .....	41.00 set
7814	65	396 Seal Kit (18 pcs) .....	51.00 set
7815	66	327/427 Seal Kit exc Air (15 pcs) .....	41.00 set
7816	66	327 Seal Kit w/Air (18 pcs) .....	71.00 set
7817	66	427 Seal Kit w/Air (21 pcs) .....	71.00 set
7818	67	327/427 exc Air (15 pcs) .....	41.00 set
7819	67	327 Seal Kit w/Air (18 pcs) .....	71.00 set
7820	67	427 Seal Kit w/Air (21 pcs) .....	71.00 set



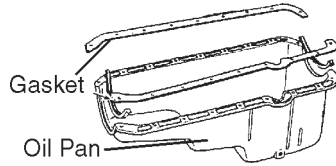
**Splash Shields & Dust Shields**

1176	63-67	Fender Outer Splash Shield - Lt .....	27.00 ea
1177	63-67	Fender Outer Splash Shield - Rt .....	27.00 ea
8831	63-67	Fender Outer Splash Shield Bolts (8 pcs) ...	6.50 set
1302	63-67	Fender Splash Shield W/Strip .....	9.00 pr
1178	63-66	Dust Shield on Inner Fender .....	5.50 ea
1179	67	Dust Shield on Inner Fender .....	5.50 ea
1180	63-67	Lower Inner Fender to Frame Seals .....	9.00 set
1189		25 Staples (for Dust Shields and Others) ...	3.00 set
1078	64-67	327 Inner Floor Splash Shields .....	35.00 pr
1191	65-67	396-427 Inner Floor Splash Shields .....	35.00 pr
8824	64-67	Inner Fender Splash Shield Bolt & Washer Set (8 of each) .....	5.00 set
1163	64-67	Inner Floor Splash Shield Mounting Bracket - Lt .....	9.50 ea
1164	64-67	Inner Floor Splash Shield Mounting Bracket - Rt .....	9.00 ea
2700	64-67	Inner Fender Upper Skirt Seals (4 pc) Front & Rear .....	15.00 set
9323	63-67	Air Cond or 396 Battery Access Cover Fiberglass .....	105.00 ea
1043	63-67	A/C or 396 Battery Filler Panel Top Edge Seal .....	4.00 ea
8700	63-67	Battery Access Cover Bolts - Correct (6) ..	10.00 set
8701	63-67	Battery Access Cover T-Nuts & Rivets .....	9.00 set
8755	63-67	Battery Access Cover Lower Bolts (2 req) ...	.75 ea

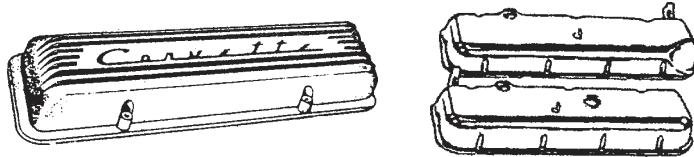
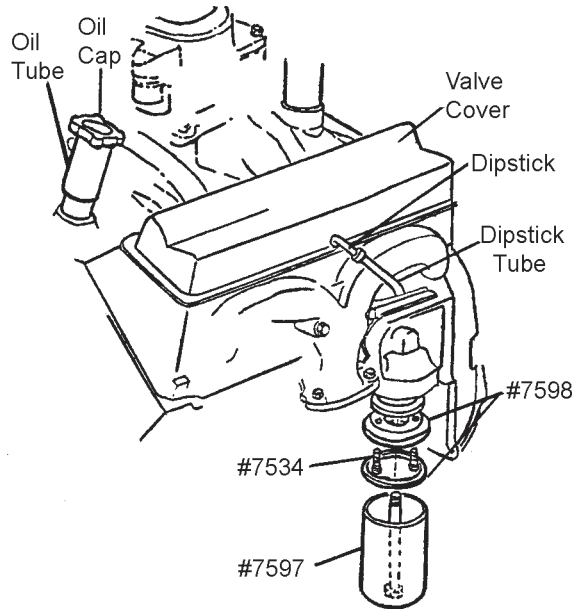




## Oil Filter & Oil Pan



7597	63-67	Oil Filter Canister w/silk screening includes PF 141 filter .....	76.00 ea
7603	63-67	PF 141 Oil Filter Cartridge .....	10.00 ea
7598	63-67	Oil Filter By-Pass Valve with Gasket .....	30.00 ea
7534	63-67	Oil Filter ByPass Valve Attaching Bolts Delta Headmark .....	3.00 pr
7842	63-67	327 Oil Pan (Fits All 63-67 except 63-65 w/Sp HiPer (4 Qt) .....	CALL
7843	63-65	327 Oil Pan w/Sp HiPer (5 Qt) .....	DISC
7844	65-67	396, 427 Oil Pan w/Sp HiPer or L-88 includes correct reinforcements (6 Qt) .	169.00 ea
7870	65-67	396/427 Oil Pan Reinforcements Only .....	22.00 set
7645	63-65	Stud - Baffle Mounting (5 req) .....	14.75 ea
7879	63-67	327 Oil Pan Pick-Up w/Screen .....	16.00 ea
7642	63-67	327 Oil Pan "L" Bolt Set (18 pcs) .....	13.00 set
7562	65-67	396-427 Oil Pan "L" Bolt Set (24 pcs) .....	14.00 set
7563	63-67	327 Oil Pan Gasket Set .....	15.00 set
7564	65-67	396-427 Oil Pan Gasket Set .....	17.00 set
7588	63-67	Oil Pan Plug w/Correct 7/8" Hex Head .....	5.00 ea
7604	63-67	Oil Pan Plug Gasket - Nylon .....	1.25 ea
7586	63-67	Magnetic Oil Drain Plug .....	8.00 ea



## Valve Covers

1121	63-67	327 Finned Aluminum Valve Cover w/Gasket .....	69.00 ea
1119	63-67	Brackets for Temp Wire on Valve Cover ....	7.00 pr
7683	65	*396/425 HP Valve Covers w/Drippers - Correct .....	329.00 pr
7702	66E	*427 Valve Covers w/Drippers and AC Dent (used from approx Nov '65-Jan'66 even if the car did not have AC .....	379.00 pr
7684	66L	*427 Valve Covers w/Drippers - Correct	329.00 pr
7685	67	*427 Valve Covers w/Drippers - Correct	329.00 pr
<b>**Correct 65-67 396/427 Valve Covers have Power Brake Slant with Drippers, regardless of the power brake option.</b>			
10385	65-67	396/427 Chrome Valve Covers w/Drippers w/o Power Brake Slant (Repl) .....	119.00 pr
7698	65-67	396/427 Chrome Valve Covers w/Drippers and w/Power Brake Slant (Repl) .....	119.00 pr
The above Chrome Valve Covers can be painted for 65-67 cars.			
7595	63-67	Small Block Valve Cover Gasket - Rubberized Cork - Correct .....	14.00 pr
7699	65-67	Big Block Valve Cover Gaskets - coated with silver sealant - Correct .....	20.00 pr

### Valve Cover Bolts - See Fastener Section

## Oil Line Kits & Related

6841	63-67	Small Block Oil Line w/Fittings - Copper .....	9.00 kit
6934	65-67	Big Block Oil Pressure Line (coiled) with Fittings .....	17.00 ea
6975	63-65	F.I. Oil Line Kit (judge accepted) .....	33.00 ea ND
1470	63-67	Firewall Grommet - for Oil Line - No Air .....	5.50 ea
1250	63-67	Firewall Grommet - for Oil Line w/Air .....	5.50 ea
7763	65-67	Oil Pressure Adapter Fitting 396 and 427 425-435 HP .....	7.00 ea

## Dipsticks, Oil Tubes & Oil Caps

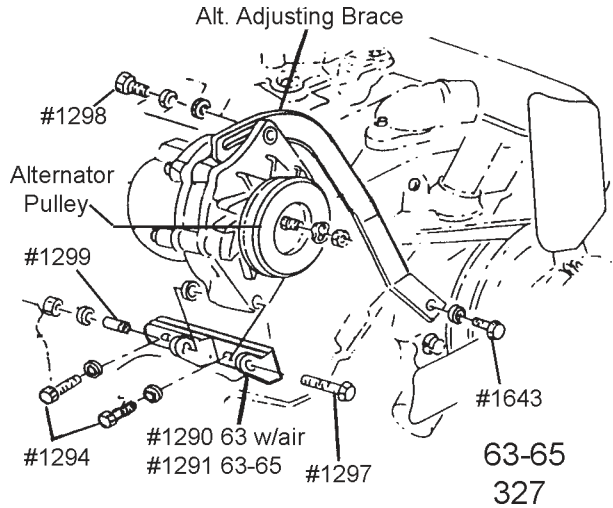
1028	63	Oil Filler Tube 327/250-300 HP, Black .....	24.00 ea
1032	63	Oil Filler Tube 327/340 HP, Chrome .....	29.00 ea
1039	63	Oil Filler Tube 327 w/F.I., Chrome .....	37.00 ea
1033	64-65	Oil Filler Tube 327/250-300 HP, Black .....	23.00 ea
1034	64-65	Oil Filler Tube 327/350-365 HP and FI Chrome .....	30.00 ea
1044	66-67	Oil Filler Tube 327/300 HP, Black .....	26.00 ea
1035	66-67	Oil Filler Tube 327/350 HP, Chrome .....	30.00 ea
1036	63-65	Cap, Oil Filler Tube 327 exc. Sp HiPer Black .....	8.00 ea
1037	63-65	Cap, Oil Filler Tube 327 w/Sp HiPer Chrome .....	9.00 ea
7691	66-67	Cap, Oil Filler Tube 327 exc. Sp HiPer with Correct 'S' Rivet (Black finish varies to Dark Green) .....	8.00 ea
1038	66-67	Cap, Oil Filler Tube 327 w/Sp HiPer with Correct 'S' Rivet - Chrome .....	9.00 ea
7646	65-67	Cap, Oil Filler Tube 396/427 w/Correct 'S' Rivet and Logo Stamped in Cap (Black finish varies to Dark Green) .....	37.00 ea
7638	63	Oil Dipstick - 250-300 HP - Black .....	13.50 ea
7647	63	Oil Dipstick w/Sp HiPer - Chrome .....	17.00 ea
7648	64	Oil Dipstick - All exc. Sp HiPer - Black .....	17.00 ea
7649	64	Oil Dipstick w/Sp HiPer - Chrome .....	24.00 ea
1071	65-66	Oil Dipstick 327 w/Sp HiPer - Chrome .....	23.00 ea
7653	65-67	Oil Dipstick - (65-66 250-300HP and 67 All 327) Black .....	19.00 ea
7654	65-67	Oil Dipstick w/396-427 Includes Salmon Button .....	18.00 ea
7605	65-67	Oil Dipstick w/396/427 <b>with Correct Handle (no dimple)</b> and Salmon Button .....	37.00 ea
7666	65-67	Oil Dipstick - All 327-350 Custom Chrome	21.00 ea
7639	63-64	Tube, Oil Dipstick 8" - All (Correct) .....	15.95 ea
7658	65-67	Tube, Oil Dipstick 9" - All 327 (Correct) .....	8.00 ea
7659	65-67	396-427 Tube, Oil Dipstick - All (Correct) ..	17.00 ea
3831	65-67	Tube, Oil Dipstick - All 327-350 (Repl) Chrome .....	13.00 ea
7669	63-67	Lower Oil Dipstick Tube in Motor for Small Block .....	6.00 ea
7599	63-67	Engine Ventilator - mounts inside engine under intake manifold - Reconditioned .....	40.00 ea



**ENGINE (continued)**

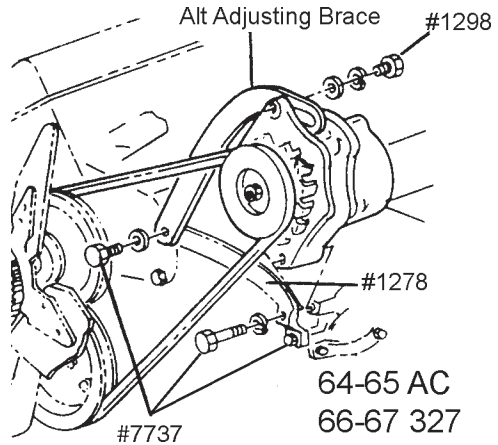
**Alternator Pulleys**

1587	63-67	Alternator Pulley - Zinc Plated - Fits: 63-65 w/327 & mechanical lifters or 66-67 w/427 & Power Steering .....	39.00 ea
1588	65-66	Alternator Pulley - Black Oxide Finish Reconditioned Original - Fits: 65 327/250-300 HP and AC (substitute) 66 327/300HP and AC (substitute) 66-67 350HP, PS, No AC (substitute) 67 300HP No AC, 350 HP No PS, No AC (Correct) .....	60.00 ea
7692	65-67	Alternator Pulley - Zinc Plated - Fits: 65-67 327 w/SpHiPer & Hyd Lifters (350HP) or 65 396/425HP or 66 427/425HP or 66-67 427 390-400HP exc P.S. & No Air .....	40.00 ea
7693	64-67	Alternator Pulley - Zinc Plated - Fits: 64 365HP & Air or 65 350-365HP & Air or 64-65 250-300HP No Air or 66-67 350HP & Air or 66-67 427 w/Air .....	35.00 ea
7694	67	Alternator Pulley - Zinc Plated - Fits: 67 427 w/Air & P.S. ....	35.00 ea
7356	63-67	Gen or Alt Pulley Washer .....	2.50 ea
7357	63-67	Gen or Alt Pulley Nut .....	6.50 ea



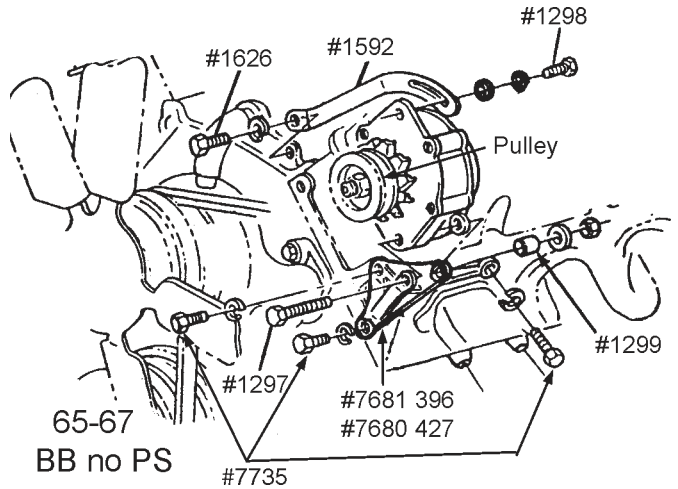
**327 Alternator Brackets and Related**

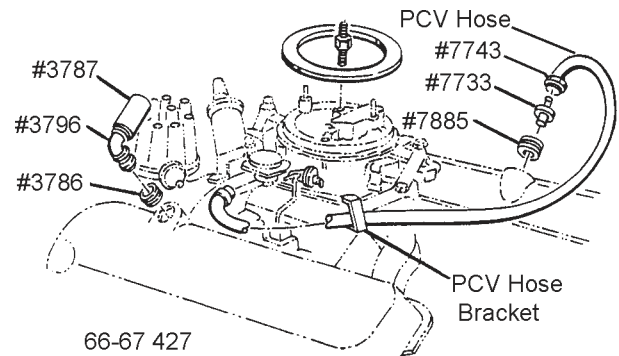
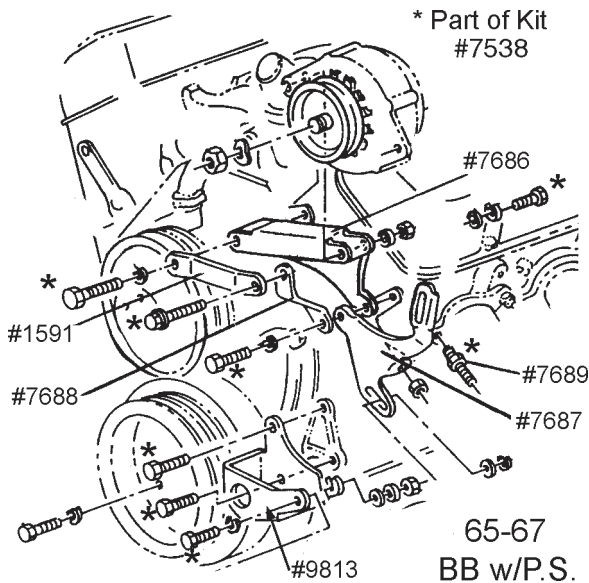
1290	63	327 Alt Mounting Bracket w/Air, Lt N.O.S	40.00 ea ND
1291	63-65	327 Alt Mounting Bracket exc. Air - Rt with Sleeve .....	33.00 ea
1294	63-65	Alt. Mounting Bracket Bolts "WB" (2) use with #1291 .....	4.00 pr
1297	63-65	Alt. Long Bolt, Washer & Nut - "TR" Head use with #1290 or #1291 .....	4.50 set
1278	64-67	327 Alt. Support Bracket, (also fits 64-65 w/Air L.H and 66-67 All 327) .....	15.00 ea
7737	66-67	327 Alternator Pivot Support Bracket Bolt Kit (3 bolts with washers) .....	7.00 kit
1593	63-65	327 Alt. Adjusting Brace exc. Air, R.H. (63 Replacement) .....	24.00 ea
7736	63	327 Alt Adjusting Brace - RH exc Air Correct .....	31.00 ea
7894	63	327 Alt. Adjusting Brace (L.H.) .....	22.00 ea
1283	64-67	327 Alt. Adjusting Brace - 64-65 350-365HP with Air, 66-67 All (LH) .....	21.00 ea
7899	64-65	327 Alt. Adjusting Brace 250-300HP & Air (L.H.) .....	32.00 ea
1643	63-65	Alt. Brace "TR" Bolt & Washer (R.H.) .....	2.50 ea
1298	63-67	Alt. Adjusting Brace "WB" Bolt Kit.(top) .....	1.75 ea
1299	63-65	327 Alt. Bracket Mounting Sleeve .....	3.00 ea



**Big Block Alt. Brackets exc Power Steering**

7681	65	396 Alt. Mounting Bracket w/"E" Logo w/Sleeve (unique cast iron) .....	92.50 ea
7680	66-67	427 Alt. Mounting Bracket exc. PS .....	58.50 ea
1592	65-67	396-427 Alt. Adjusting Brace exc. PS .....	22.00 ea
1297	66-67	Long Bolt, Washer & Nut - "TR" Head for #7680 Brkt. ....	4.50 set
1626	65-67	Alt. Brace Bolt & Washer .....	2.25 ea
1299	66-67	427 Alt. Bracket Mounting Sleeve .....	3.00 ea
1298	63-67	Alt. Adjusting Brace "WB" Bolt Kit .....	1.75 ea
7735	65-67	396/427 exc P.S. Alternator Mounting "TR" Bolt Kit (4 pcs - long bolt is not "TR") .....	7.00 kit

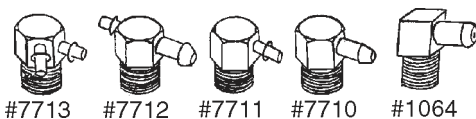




### Big Block Alternator Brackets with Power Steering

7530	65-67	396/427 Power Steering and Alternator Bracket Kit (#9813, 7686, 7687, 7688, 1591 and 7538) .....	179.00 set ND
7538	65-67	Alt and Power Steering Bracket BOLT Kit (23 pcs) Includes bolts and stud for alt. bracket to head and P.S. bracket to block 396/427 .....	17.00 set
7686	65-67	Alt. Mounting Bracket 427 w/PS .....	52.00 ea
7687	65-67	Alt. Adjusting and P.S. Pump Mount Bracket .....	64.00 ea
7688	65-67	Alt. Mount Brace - Lower .....	14.00 ea
1591	65-67	Alt. Mount Brace - Upper .....	14.00 ea
7689	65-67	Stud, for P.S. & Alt. Adjusting Bracket to Exhaust Manifold .....	4.50 ea
9813	65-67	PS Pump Mounting Bracket to Block-427 ..	47.00 ea

Also see POWER STEERING and FASTENERS



### PCV, Vacuum Fittings & Valves

#### Intake Manifold Vacuum Fittings

7710	64-67	Intake Fitting - PB Only .....	13.00 ea
7711	64-67	Intake Fitting w/Air or Automatic .....	13.00 ea
7712	64-67	Intake Fitting w/PB & Air or PB & Auto (exc. 3X2) .....	13.00 ea
7713	64-67	Intake Fitting w/Air & Auto .....	13.00 ea
7714	64-67	Intake Fitting w/Air & Auto & PB - exc. 3X2 .....	17.00 ea
7715	63-67	Plug, Intake Manifold Vacuum Hole .....	3.50 ea
7716	67	Intake Fitting w/PB & Air or PB & Auto w/3X2 .....	22.00 ea
7717	67	Intake Fitting w/PB & Air & Auto w/3X2 .....	22.00 ea
7718	67	Intake Fitting w/Air & Auto w/3X2 .....	14.00 ea

### Carburetor & Fuel Injection Plenum Fittings and PCV

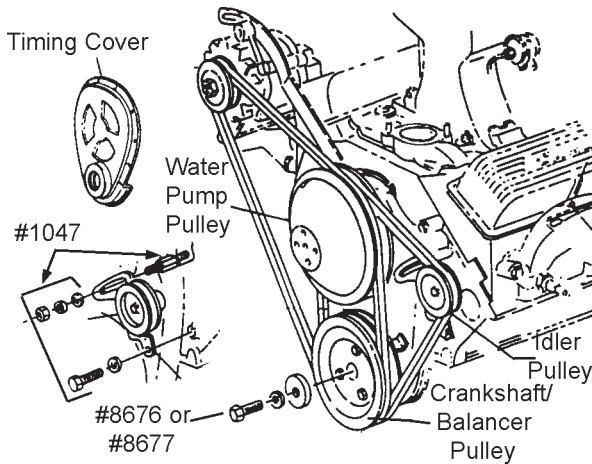
7720	63-65	F.I. Plenum Vacuum Fitting w/ Pwr Brk .....	22.00 ea
7721	63-65	F.I. Plenum Plug - No P.B. ....	13.50 ea
7722	64-65	F.I. Vacuum Advance Line Fitting .....	21.00 ea
7723	63	PCV Valve Elbow, In F.I. Plenum .....	5.00 ea
7725	63-64E	PCV Valve - 327 also fits 64 early w/FI ...	22.00 ea
7726	63	PCV Fitting in Carb w/PB (2 pc) .....	32.00 ea
7727	63	PCV Fitting in Carb w/AC (3 pc) .....	27.00 ea
7728	63	PCV Fitting w/PB & AC (2 pc) .....	32.00 set
7729	63	PCV Elbow & Adapter .....	10.00 set
1064	64-65	Vacuum Restriction Fitting w/WCFB, AFB F.I. ....	12.00 ea
7730	64-65	327 PCV Elbow in Holley Carb .....	16.00 ea
7731	65	396 PCV Elbow in Holley Carb .....	4.50 ea
7732	66-67	327 PCV Valve .....	27.00 ea
7733	66-67	PCV Valve Fits: 66 427, 67 427 w/3X2 .....	6.50 ea

### PCV Vacuum Hoses & Grommets

7740	63	PCV Hose, Oil Tube to Carb .....	5.00 ea
7741	64-65	PCV Hose w/Clamp, Oil Tube to Carb .....	6.50 ea
7742	66-67	PCV Hose w/Clamp 327 (PCV to Carb) .....	5.00 ea
3842	66-67	PCV Hose - molded 23" long (cut to length) 427 exc. 3X2 .....	12.00 ea
3846	67	PCV Hose 427 w/3X2 - Right Side .....	8.50 ea
7743	64-67	PCV Hose Clamp - Black .....	1.00 ea
7744	64-66	PCV Hose Bracket 64-65 250 & 300 HP and 66 425 HP .....	13.00 ea
7745	66-67	PCV Hose Bracket on Carb Bolt, 390 HP ..	13.00 ea
7746	66-67	PCV Hose Bracket on Intake Bolt, 390 HP .....	13.00 ea
3787	65-67	Vent Hose, Valve Cover Elbow to Air Cleaner 65 396 and 66 425 HP .....	5.50 ea
3796	65-67	396,427 Elbow, Valve Cover to Air Cleaner .....	12.00 ea
3786	65-67	Valve Cover Grommet for: 65-67 RH Vlv Cover 396, 427 exc 3 X2 67 LH Vlv Cover 427 w/3X2 .....	3.00 ea
7885	66-67	PCV Valve Cover Grommet All 427 .....	3.00 ea
3777	65	396 Grommet, for Valve Cover Crankcase Pipe (LH) .....	8.00 ea

Also see AIR CLEANER Section

**ENGINE COMPARTMENT (cont.)**



**Timing Covers & Balancers**

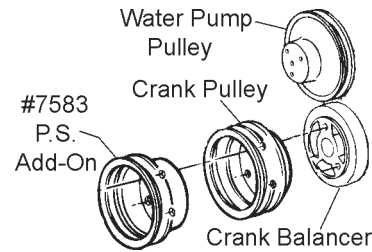
7757	63-67	Timing Cover w/Correct Tab 250-300 HP	53.00 ea
7758	63-67	Timing Cover w/Correct Tab 327 HiPer	53.00 ea
7759	65-66	Timing Cover 396/427 (425 HP)	68.00 ea
7760	66	Timing Cover 427 (390 HP)	68.00 ea
7761	67	Timing Cover 427 (390-400HP)	68.00 ea
7762	67	Timing Cover 427 (430-435HP)	68.00 ea
7567	63-65	327 Timing Cover Tab Only, w/Sp HiPer & 8" Balancer - Correct	20.00 ea
7574	65-67	Timing Tab Only, 65 396, 66-67 427 and 66-67 327 w/Sp HiPer - Correct	19.00 ea
7568	63-67	327 Timing Cover Gasket & Seal Set	16.00 set
7577	65-67	396, 427 Timing Cover Gasket & Seal Set	20.00 set
7539	63-67	327 Timing Cover Bolt Set (10 pcs)	8.00 set
7578	65-67	427 Timing Cover Bolt Set (10 pcs)	8.00 set
7569	63-65	Crankshaft Balancer, 250-300 HP - Repl..	65.00 ea
7570	63-67	327 Crankshaft Balancer w/Sp HiPer - Repl	112.50 ea
7571	63-67	327 Crankshaft Balancer w/Sp HiPer - Finned - CORRECT	339.00 ea ND
7579	66-67	Crankshaft Balancer 327 w/300 HP	65.00 ea
7580	66-67	Crankshaft Balancer 427 w/390-400 HP	295.00 ea
7581	65-67	Crankshaft Balancer 396 and 427 w/425-435 HP	168.50 ea
8676	63-67	Balancer Bolt Kit 327 w/SpHiPer for crank with threaded end	9.00 kit
8677	65-67	Balancer Bolt Kit w/Big Block	10.00 kit

**Idler Pulleys**

1609	63 E	327 Idler Pulley w/Bracket - Zinc	125.00 ea
1046	63L-65	327 Idler Pulley w/Bracket -- Black	125.00 ea
1047	63-65	327 Stud and Bolt Kit for Mounting the Idler Pulley	15.00 kit

**Crankshaft (Balancer) Lower Pulley**

7619	63-67	327 Crankshaft Pulley w/Sp Hi Per exc AC 2 Deep Groove, 6 5/8" Dia. - Repl	43.00 ea
7582	63-67	327 Crankshaft Pulley, 2 Groove, 6 5/8" Dia., 63-66 250-300 HP No AC - Repl	41.50 ea
7617	63-67	327 Crankshaft Pulley, 2 Deep Groove, #987 (Fits 63-65 w/Fl & SpHiPer and 66-67 w/SpHiPer exc P.S.)	114.00 ea ND
7584	66-67	327 Crankshaft Pulley - Single - 300HP, No AC, No Pwr Steering.	49.00 ea
7585	65-67	396/427 Crankshaft Pulley - Cast Iron - Fits 65 396 w/425 HP, 66-67 427 w/AC	149.50 ea
7583	63-67	327 Front Lower Crankshaft Pulley - Power Steering <b>ADD-ON</b> exc 65-67 SpHiPer	42.75 ea
7618	63-67	327 Crankshaft Balancer Pulley Bolts (3) "E" Headmark	7.00 set
7521	65-67	396/427 Crank Balancer Pulley Bolts	6.00 set



**Water Pumps & Pulleys**

All Water Pumps are Remanufactured and are sold outright.

3392	63-66E	Water Pump Cast #3782608, No Date w/250-300 HP (use until Dec '65)	79.00 ea
3393	63-66E	Water Pump Cast #3859326, No Date w/340-375 HP (use until Dec '65)	139.00 ea
3394	66L-67	Water Pump Cast #3782608, <u>Dated</u> Small Block with Cast Iron Intake (Specify Date) (use from Jan '66)	95.00 ea
3395	66L-67	Water Pump Cast #3859326, <u>Dated</u> Small Block with 350, 365, 375 HP (Specify Date) (use from Jan '66)	139.00 ea
3396	65-67	Water Pump Cast #3856284, <u>Dated</u> 396, 427 (Specify Date required)	139.00 ea
7612	63-67	327 Water Pump Pulley, 2 Deep Groove 340-375HP No Air, 7 1/8" Dia. #245	69.75 ea
7609	63-67	327 Water Pump Pulley, 2 Deep Groove - Repl (64-65 365 HP w/Air and 66-67 350-365HP w/Air No PS)	64.50 ea
7622	65-67E	396-427 Water Pump Pulley, 2 Deep Groove No A/C, #480	119.00 ea
7623	67L	427 Water Pump Pulley, 2 Deep Groove No A/C #656	.DISC
7624	65-67	396-427 Water Pump Pulley, Triple Groove with A/C - Replacement Style Only 5 1/2" O.D.	200.00 ea
1074	63-67	Reinforcement, Water Pump Pulley	7.00 ea

**Also see CARBURETOR, FASTENER, FUEL SYSTEM, DISTRIBUTOR, EXHAUST and AIR CLEANER Sections.**

**BOOKS & MANUALS**  
Pages 208 - 211



Intake Gaskets



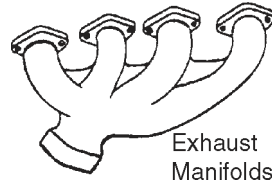
Intake Manifold Bolts

### Intake Bolts, Gaskets & Misc Fasteners

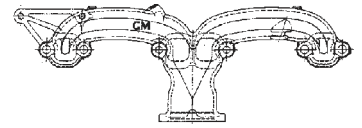
7750	63-67	Engine Compartment Bolts (6 pcs) (used on on Splash Shields, Battery Tray, Shroud etc) .....	5.00 set
8552	63	w/250HP Intake Manifold Bolt w/AP Headmarks (12 Bolts) .....	12.00 set
8554	63	exc. 250HP Intake Manifold Bolt Set (11 Bolts and 1 Stud) .....	20.00 set
8761	64	Intake Manifold Bolt Set 327 w/ "TR" Headmark - Zinc .....	15.00 set
8762	64	Intake Manifold Bolt Set 327 w/ "TR" Headmark- Black .....	14.00 set
8763	65-67	Intake Manifold Bolt Set 327 w/ "M" Headmark - Black .....	14.00 set
7753	63-67	Intake Manifold Bolt Set 327 w/ "M" Headmark - Zinc .....	17.00 set
8764	65-67	Intake Manifold Bolt Set 396/427 w/ "M" Headmark - Zinc .....	17.00 set
7756	65-67	Intake Manifold Bolt Set 396/427 w/Aluminum Intake w/"FP" Headmark - Zinc .....	16.00 set
6885	63-67	Sm Block Intake Manifold Gaskets exc FI	22.00 set
6869	63-65	Sm Block Intake Manifold Gaskets w/FI ....	24.00 set
7747	66-67	Big Blk Intake Manifold Gaskets, Oval Port .....	21.00 set
7748	65-67	Big Blk Intake Manifold Gaskets, Square Port .....	27.00 set

Consult Your Judging Manual regarding exact Intake Bolt Applications

### EXHAUST



Exhaust Manifolds



### Manifolds & Related

5894	63	Exhaust Manifold 2" Cast #3749965 (63 250 HP Only) CORRECT - Lt .....	169.00 ea
5834	63-65	Exhaust Manifold 2" Cast #3750556 (63-65 250 HP Only) CORRECT - Rt ...	215.00 ea
5974	66-67	327 Exhaust Manifold 2" Cast # 3872765 w/o A.I.R. (service replacement) - Lt ...	210.00 ea
5913	66-67	327 Exhaust Manifold 2" Cast #3872765 with A.I.R. - Lt .....	210.00 ea
5899	66-67	327 Exhaust Manifold 2" - Rt .....	.CALL
5874	63	Exhaust Manifold 2 1/2" 300, 340 HP - Cast # 3797901 - Lt .....	159.00 ea
5800	63	Exhaust Manifold 2 1/2" 300, 340 HP Cast #3797901 <b>CORRECT</b> - Lt .....	225.00 ea
5875	64-65	Exhaust Manifold 2 1/2" 300, 365 HP - Repl - Lt .....	159.00 ea
5873	64-65	Exhaust Manifold 2 1/2" Cast #563 300-365HP CORRECT - Lt .....	235.00 ea
5876	63-65	Exhaust Manifold 2 1/2" 300, 340, 365 HP (except FI) Cast # 3797902 - Rt .....	159.00 ea
5857	63-65	Exhaust Manifold 2 1/2" 300, 340, 365 HP Cast # 3797902 <b>CORRECT</b> - Rt .....	225.00 ea
5846	63-65	Exhaust Manifold 2 1/2" All w/F.I. with choke tube Casting #3797942 - Lt	265.00 ea
5837	63-65	Exhaust Manifold 2 1/2" Cast #3797902 All w/FI, Correct - Rt .....	225.00 ea
5940	65	396 Exhaust Manifold, Correct #301 - Lt	460.00 ea
5941	65	396 Exhaust Manifold, Correct #302 - Rt	460.00 ea
5942	65	<b>396 Exhaust Manifolds, Correct - Lt and Rt .....</b>	<b>845.00 pr</b>
5856	66-67	427 Exhaust Manifold (exc. A.I.R.), Correct #3880827 - Lt .....	329.00 ea
5858	66-67	427 Exhaust Manifold (exc. A.I.R.), Correct #3880828 - Rt .....	335.00 ea
5416	66-67	<b>427 Exhaust Manifolds (exc A.I.R.) .....</b>	<b>595.00 pr</b>
5944	66-67	427 Exhaust Manifold (with A.I.R.), Correct #3880827 - Lt .....	379.00 ea
5945	66-67	427 Exhaust Manifold (with A.I.R.), Correct #3880828 - Rt .....	379.00 ea
10061	66-67	427 Exhaust Mainfold has A.I.R. holes (comes with plugs to fill holes) Replacement - Rt .....	149.00 ea

See Next Page for Exhaust

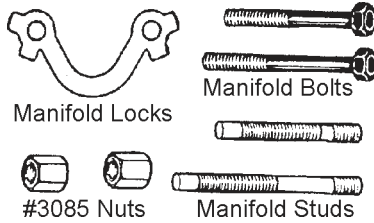
Bolts, Studs, Locks, Washers Etc



MAIL ORDER & WALK-INS

Call for Vacation and  
Holiday Hours

**EXHAUST(cont.)**



3083	63-67	Exhaust Manifold Studs - Steel (6 pcs) .....	8.50 set
3084	63-67	Exhaust Manifold Studs - Stainless (6 pcs)	21.50 set
3085	63-67	Brass Nut - Exhaust Manifold (6 pcs) .....	5.00 set
8561	63-67	Exhaust Manifold Nut Set (Correct "Top Lock" Type (6 pcs) .....	4.00 set
8562	63	Exhaust Manifold Lock Set- <b>Steel</b> ( 4 pcs)	11.00 set
5055	64-65	Exhaust Manifold Lock Set- <b>Steel</b> (4 pcs)..	11.00 set
5056	66-67	327 Exhaust Manifold Lock Set - <b>Steel</b> (4 pcs) .....	11.00 set
5074	65-67	396/427 Exhaust Manifold Lock Set <b>Steel</b> (4 pcs) .....	11.00 set
3035	63	Exhaust Manifold Lock Set - <b>S.S.</b> (4 pcs) .	15.00 set
3037	64-65	Exhaust Manifold Lock Set - <b>S.S.</b> (4 pcs) .	15.00 set
3038	66-67	327 Exhaust Manifold Lock Set - <b>Stainless</b> (4 pcs) .....	15.00 set
3039	65-67	396, 427 Exhaust Manifold Lock Set <b>Stainless</b> Steel (4 pcs) .....	15.00 set
8781	63-67	Exhaust Manifold Bolt Washers (all engines) Stainless Steel (set of 8) .....	6.00 set
<b>EXHAUST MANIFOLD BOLTS have double circle headmark</b>			
8785	63	Exhaust Manifold Bolt Set 327 All .....	20.00 set
8786	64-67	Exhaust Manifold Bolt Set 327 .....	14.00 set
8787	64-67	Exhaust Manifold Bolt Set 327 w/AC .....	22.00 set
8788	65-67	Exhaust Manifold Bolts 396/427 exc. P.S. ....	18.00 set
8789	65-67	Exhaust Manifold Bolts 396/427 w/P.S. ....	22.00 set
8790	66-67	Exhaust Manifold Bolts 427 w/AC .....	26.00 set
8791	66-67	Exhaust Manifold Bolts 427 w/AC & P.S. ...	30.00 set
8792	64-65	Exhaust Manifold Bolts w/F.I. ....	20.00 set
6525	63-65	Choke Tube in Exhaust Manifold - Stainless Steel (Fits all except 396I) .....	14.00 ea



**Aluminized Stock Mufflers**

Custom Fit, No Adapter or Sleeves Required

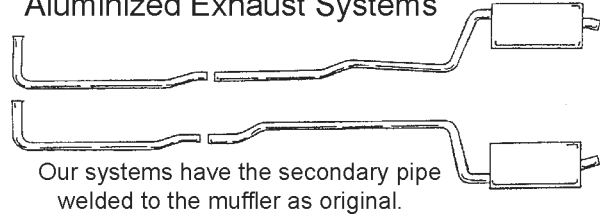
5866	63-67	Muffler 2" - Lt and Rt .....	129.00 pr
5868	63-67	Muffler 2 1/2" - Lt and Rt .....	129.00 pr

**Aluminized Magnaflow Mufflers**

The all welded unrestricted high flow muffler with the straight - through design that delivers performance, power and durability, along with a smooth deep tone and clean appearance. Custom fit no adapters or sleeves needed.

10448	63-67	2" Inlet Magnaflow Mufflers .....	189.00 pr ND
10256	63-67	2 1/2" Inlet Magnaflow Mufflers .....	189.00 pr ND

**Aluminized Exhaust Systems**



Our systems have the secondary pipe welded to the muffler as original.

**Aluminized Carbon Steel Systems with Stock Mufflers**

All Systems include Pipes, Flanges, Sleeves, Donut Gaskets, Clamps, Mufflers (**secondary pipe is welded to muffler as original**)

5910	63	250HP or 3sp or 4sp or Auto with 2" with OEM Style welded Mufflers .....	319.00 set LD
5911	63	300HP, 340HP, 360HP 2 1/2" with OEM Style welded Mufflers .....	334.00 set LD
5078	64-65	HiPer, SpHiPer, 2 1/2" with OEM Style welded Mufflers .....	334.00 set LD
5079	64-67	250HP or 3sp or 4sp or Auto with 2" 4sp hasOEM Style welded Mufflers (Auto system is not welded) .....	319.00 set LD
5080	65	396 4sp 2 1/2" with OEM Style welded Mufflers .....	334.00 set LD
5081	66-67	327 2" to 2 1/2" with OEM Style welded Mufflers .....	334.00 set LD
5872	66-67	427 4sp 2 1/2" with OEM Style welded Mufflers .....	334.00 set LD
5082	66-67	427 Auto 2 1/2" with OEM Style welded Mufflers .....	334.00 set LD

**Aluminized Carbon Steel Systems with Magnaflow Mufflers**

All Systems include Pipes, Flanges, Sleeves, Donut Gaskets, Clamps, Mufflers (secondary pipe is NOT welded to muffler)

Magnaflow Mufflers have no chambers, no baffles, no louvers and NO RESTRICTIONS! They deliver performance, power, and durability, along with a smooth deep tone.

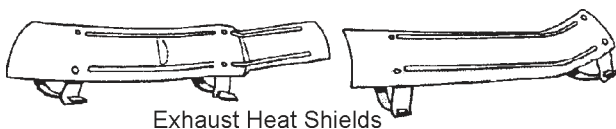
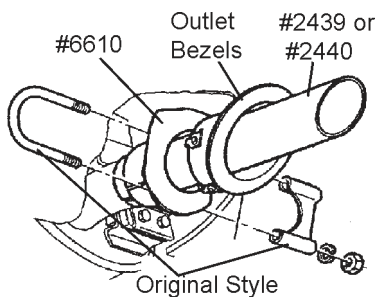
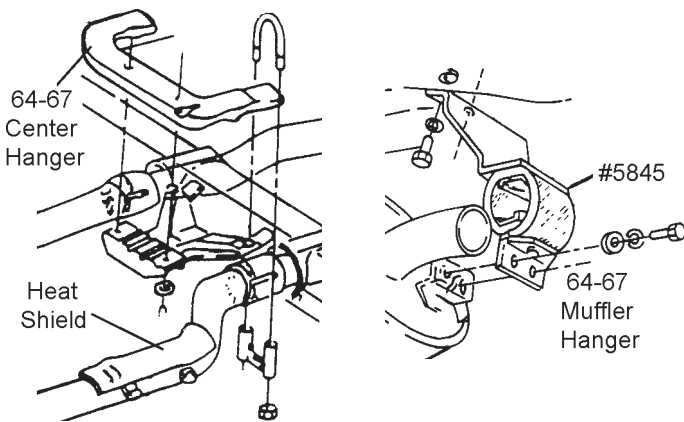
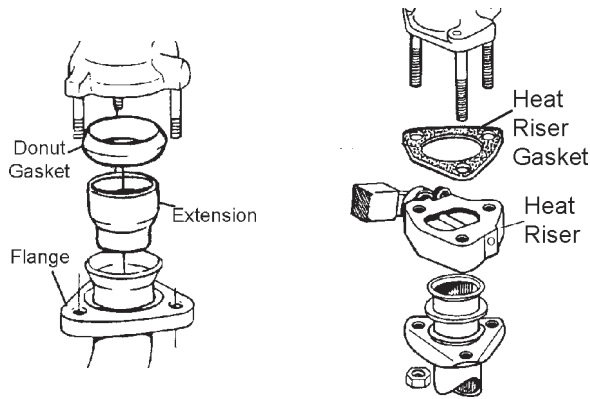
10440	63	250 HP or 3sp or 4sp or Auto with 2" System .....	329.00 set LD
10441	63	300 HP, 340 HP, 360 HP 2 1/2" System .....	339.00 set LD
10442	64-65	Hiper, SpHiper, 2 1/2" System .....	335.00 set LD
10443	64-67	250 Hp or 3sp or 4sp or Auto with 2" System .....	319.00 set LD
10444	65	396 4sp 2 1/2" System .....	339.00 set LD
10445	66-67	327 2" to 2 1/2" System .....	335.00 set LD
10446	66-67	427 4sp 2 1/2" System .....	339.00 set LD
10447	66-67	427 Auto 2 1/2" System .....	339.00 set LD

**Reminder**

Don't forget to order other needed parts when replacing your exhaust system

- Heat Riser and Gasket
- Center Hanger Kit
- Muffler Hanger Kit
- Exhaust Outlet Bezels

## EXHAUST SYSTEM (cont)



## Miscellaneous Components

3079	63-67	2" Exhaust Heat Riser Valve .....	38.00 ea
3080	63-67	2 1/2" Exhaust Heat Riser Valve .....	42.00 ea
3019	63-67	2" Exhaust Heat Riser Gasket .....	2.50 ea
3020	63-67	2 1/2" Exhaust Heat Riser Gasket .....	2.50 ea
3081	63-67	2" Exhaust Manifold Spacer (can be used in place of heat riser) .....	21.00 ea
3082	63-65	2 1/2" R.H. Exhaust Manifold Spacer w/Fl (can also be used in place of heat riser) .	25.00 ea
3086	63-67	2" Exhaust Pipe Flange .....	5.00 ea
3087	63-67	2 1/2" Exh. Pipe Flange (Flat Type) .....	8.25 ea
3021	63-67	Extension, for Exhaust Pipe to Manifold with 2" Pipe .....	6.50 ea
3022	63-67	Extension, for Exhaust Pipe to Manifold with 2 1/2" Pipe .....	6.50 ea
3017	63-67	2" Exhaust Manifold Donut Gasket .....	3.00 ea
3018	63-67	2 1/2" Exhaust Manifold Donut Gasket .....	3.00 ea
5828	63-67	Exhaust Pipe Clamp 2" Original Style .....	4.00 ea
5829	63-67	Exhaust Pipe Clamp 2 1/2" Original Style ....	4.50 ea
6028	63-67	2" Exhaust Clamp - Stainless Steel .....	8.50 ea
6029	63-67	2 1/2" Exhaust Clamp - Stainless Steel .....	9.50 ea

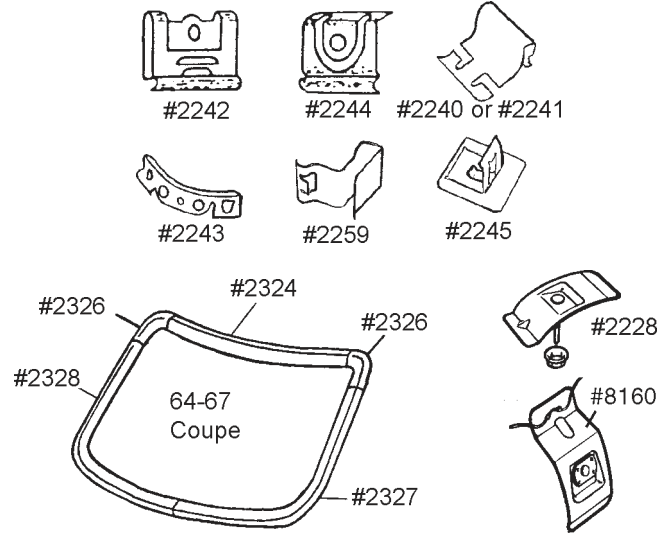
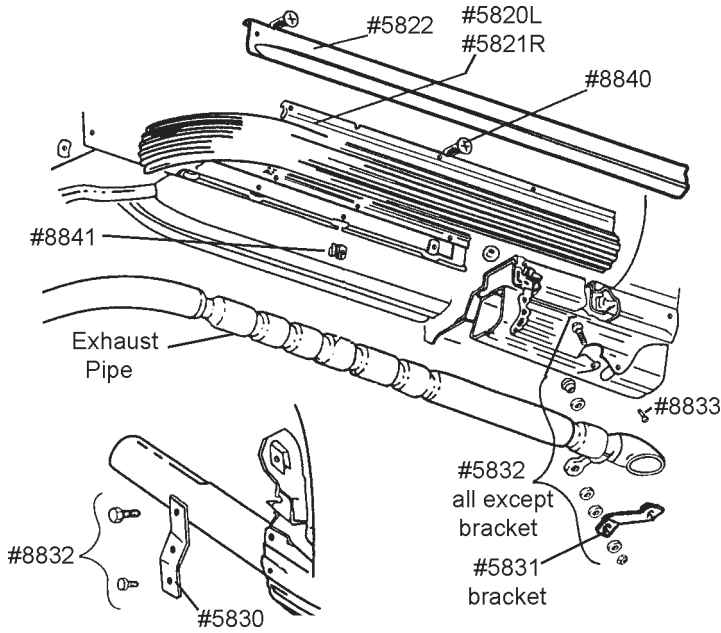
## Exhaust Hangers & Related

5838	63	2" Center Hanger Assembly w/Clamps ....	129.00 ea
5839	63	2 1/2" Center Hanger Assy w/Clamps .....	129.00 ea
5840	63	Center Hanger Rebuild Kit .....	28.00 kit
5842	63	Muffler Hanger Kit w/Brackets .....	60.00 pr
5051	63	Rear Muffler Hanger Bolts, Nuts and Washers .....	10.00 set
5843	64-67	2" Center Hanger Bracket .....	26.00 ea
5844	64-67	2 1/2" Center Hanger Bracket .....	26.00 ea
5845	64-67	Muffler Hangers .....	27.00 pr
5052	64-67	Rear Muffler Hanger Bolts, Nuts and Washers .....	6.50 set
5828	63-67	2" Exhaust Pipe Clamp - Original Style .....	4.00 ea
5829	63-67	2 1/2" Exhaust Pipe Clamp - Original Style ...	4.50 ea
6028	63-67	2" Exhaust Clamp - Stainless Steel .....	8.50 ea
6029	63-67	2 1/2" Exhaust Clamp - Stainless Steel .....	9.50 ea

## Exhaust Outlet Bezels & Heat Shields

2447	63	Exhaust Outlet Bezels - S.S. (US Made) .	109.00 pr
2353	64-65	Exhaust Outlet Bezels - S.S. (US Made) .	114.00 pr
2434	66-67	Exhaust Outlet Bezel - Lt .....	49.00 ea
2435	66-67	Exhaust Outlet Bezel - Rt .....	49.00 ea
8816	63-65	Exhaust Bezel Screws (6) .....	2.50 set
8817	66-67	Exhaust Bezel Nuts (6) .....	2.00 set
2439	63-67	Exhaust Extensions - Stainless Steel w/Correct part # and seamed as original .....	42.00 pr
2440	63-67	Exhaust Extensions - Stainless Steel Correct fit replacements .....	34.00 pr
6610	63	Rear Exh. Panel/Bezel Heat Shield .....	51.75 pr
<b>The Following Heat Shield Sets include Straps &amp; Screws.</b>			
6625	63-64	2" Exhaust Heat Shield Set .....	38.00 pr
6626	63	2 1/2" Exhaust Heat Shield Set .....	44.00 pr
6611	65-67	2" Exhaust Heat Shield Set .....	38.00 pr
6612	64-65	327/396, 2 1/2" Exh. Heat Shield Set .....	51.50 pr
6613	66-67	327/427, 2 1/2" Exh. Heat Shield Set .....	51.50 pr

**EXTERIOR TRIM & MOLDINGS**



**Side Exhaust**

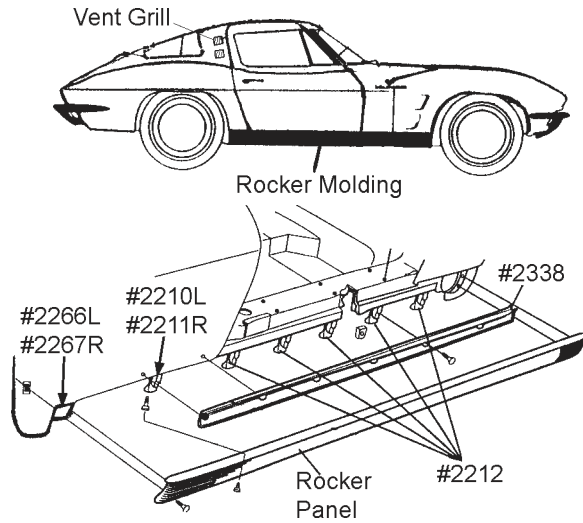
5980	63-67	Side Exhaust Kit - Includes: Pipes, Covers, Upper Moldings, Gaskets, Pipe Extensions, Front & Rear Cover Brackets, Rear Pipe Hangers and All Hardware (Specify Year and HP) .....	1895.00 kit ND
5810	63-67	2" (327) Side Mount Exh. Pipe - Lt & Rt ...	469.00 pr LD
5812	63-65	2 1/2" (327) Side Mount Exh. Pipe - Lt and Rt .....	469.00 pr LD
5814	65-67	396, 427 Side Mount Exh. Pipe - Lt and Rt .....	469.00 pr LD
5820	63-67	Side Mount Exhaust Covers PAIR .....	1295.00 pr LD
10405	63-67	Side Mount Exhaust Cover - Lt .....	709.00 ea
10406	63-67	Side Mount Exhaust Cover - Rt .....	709.00 ea
10407	63-67	Side Mount Exhaust Cover Upper Moldings - PAIR .....	219.00 pr
5822	63-67	Side Mount Exh. Cover Upper Molding ...	125.00 ea
8834	63-67	Side Mount Exh. Cover Upper Molding End Screw & Nut Set .....	4.00 set
8840	63-67	Side Pipe Cover Screws (12 pcs) .....	6.00 set
8841	63-67	Side Pipe Cover U-Nuts (12 pcs) .....	10.00 set
8842	63-67	Side Pipe Cover & Upper Molding Screw Set (includes #8834, 8840, 8841) .....	19.00 set
5978	63-67	Side Exhaust Cover, Fiberglass Insulator - Front (Short) Double Liner (PM) .....	65.00 ea
5979	63-67	Side Exhaust Cover, Fiberglass Insulator - Side (Long) Double Liner (PM) .....	125.00 ea
2338	63-67	Retainer - Side Cover Upper Molding or Rocker Panel Molding .....	11.95 ea
5830	63-67	Side Exh. Cover - Front Mount Brackets w/Mounting Hardware .....	15.00 set
8832	63-67	Side Pipe Cover Front Bracket - Screw, Nut & Rivet Set .....	4.00 set
5831	63-67	Side Exh. Cover - Rear Mount Brkts .....	16.50 pr
8833	63-67	Side Pipe Cover Rear Brkt. Screw (2) .....	2.00 pr
<b>5832</b>	<b>63-67</b>	<b>Side Pipe (Muffler) Rear Hanger Kit. ....</b>	<b>38.50 pr</b>
5804	63-67	Side Pipe Rear Cushion RETAINER Only ..	8.00 ea
5805	63-67	Side Pipe Rear Insulator Cushion Only .....	5.00 ea
5816	63-67	Side Pipe Rear Bolts, lockwashers and nuts .....	2.50 pr

**Windshield and Rear Window Moldings & Clips**

2324	64-67	Coupe Upper Windshield Molding .....	119.00 ea
2326	64-67	Coupe Windshield Corner Molding .....	45.00 ea
2327	64-67	Coupe Side Windshield Molding - Lt .....	142.00 ea
2328	64-67	Coupe Side Windshield Molding - Rt .....	142.00 ea
2240	63	Coupe Wide Windshield Molding Clip-6 req ... .DISC	
2241	63	Coupe Thin Windshield Molding Clip -18 req	4.00 ea
2298	63	Coupe Windshield Mldg Clip Set (24 pc) ...	69.00 set
2242	64-67	Coupe Windshield Molding Small Flat Clip - Replacement (23 pcs required) .....	.75 ea
2205	64-67	Coupe Windshield Molding Small Flat Clip CORRECT (23 pcs required) .....	1.80 ea
2243	64-67	Coupe Corner Windshield Mldg Clip - 2 req	9.00 ea
2246	64-67	Coupe Windshield Mldg <b>Complete Clip Set</b> (23 pcs of #2205 + 2 pcs of #2243) .....	48.00 set
2247	64-67	Coupe Windshield Molding Clip <b>Screw Set</b> (27 pcs) .....	7.00 set
2259	63	Coupe Rear Window Mldg Clips (26 req) .....	5.00 ea
8169	63	Coupe Rear Window Molding Clip Set (26 pcs) .....	99.00 set
2244	64-67	Coupe Rear Window Molding Clip - 24 req ..	2.00 ea
2236	64-67	Coupe Rear Window Molding <b>Clip Set</b> (24 pc).. .....	26.00 set
2237	64-67	Coupe Rear Window Molding Clip <b>Screw Set</b> (24 pc) .....	6.00 set
2207	63-67	Conv Upper Windshield Molding .....	159.00 ea
10027	64-67	Conv Outer Lower Windshield Mldg - SS	155.00 ea
2240	63	Wide Windshield Molding Clip (Conv 4 req) ... .DISC	
2241	63	Thin Windshield Molding Clip (Conv 9 req) ...	4.00 ea
2299	63	Conv Windshield Mldg Clip Set (13 pc) .....	39.00 set
2242	64-67	Conv Windshield Molding Small Flat Clip -Replacement (11 req) .....	.75 ea
2248	64-67	Conv Windshield Molding Small Flat <b>Clip Set</b> - CORRECT (11 pc) .....	19.50 set
2258	64-67	Conv. Windshield Molding Clip <b>Screw Set</b> (11 pc) .....	3.50 set
2245	64-67	Conv Windshield Molding End Clips .....	16.00 pr
2228	63-67	Conv Windshield Upper Molding Retainer and Nut (6 req) .....	9.00 ea
8161	63-67	Conv Upper Windshield Molding Retainer Nut Set (6 pcs) .....	2.00 set
8160	63-67	Conv Side Windshield Molding Upper Retainer - 2 req .....	13.50 ea
8168	63-67	Conv Side Windshield Molding Clip, Screw and Spacer (2 of each) .....	9.50 set
2065	63-67	Conv. Header Strikers - Upper Windshield	59.00 pr



## EXTERIOR TRIM (cont)



### Rocker Moldings

2342	63	Rocker Panel Molding .....	159.00 ea
10250	63	Rocker Panel Moldings - PAIR .....	299.00 pr
2343	64	Rocker Panel Molding. ....	159.00 ea
10251	64	Rocker Panel Moldings - PAIR .....	299.00 pr
2344	65	Rocker Panel Molding. ....	159.00 ea
10252	65	Rocker Panel Moldings - PAIR .....	299.00 pr
2345	66	Rocker Panel Molding .....	139.00 ea
10253	66	Rocker Panel Moldings - PAIR .....	259.00 pr
2346	67	Rocker Panel Molding. ....	139.00 ea
10254	67	Rocker Panel Moldings - PAIR .....	259.00 pr
2338	63-67	Retainer, Rocker Panel Molding .....	11.95 ea
2337	63-67	Rocker Panel Upper Retainer Screws/Nuts	9.00 set
2266	63-67	Front Rocker Molding Bracket - Lt (Rivets to Fiberglass) .....	5.50 ea
2267	63-67	Front Rocker Molding Bracket - Rt (Rivets to Fiberglass) .....	5.50 ea
8807	63-67	Rivets for #2266 & #2267 .....	1.50 set
2210	63-65	Front Rocker Molding Mount Bracket (welds to rocker sill) - Lt .....	16.00 ea
2211	63-65	Front Rocker Molding Mount Bracket (welds to rocker sill) - Rt .....	16.00 ea
2212	63-67	Side Rocker Molding Mount Brackets, Welds To Body Understructure (63-65 requires 10 66-67 requires 6) .....	11.00 ea
8798	63-67	Rocker Molding Upper Mounting Screw & Nut Set .....	8.00 set
8799	63-64	Rocker Molding Lower Mounting Screw & Nut Set .....	8.00 set
8800	65	Rocker Molding Lower Mounting Screw & Nut Set .....	8.00 set
8801	66-67	Rocker Molding Lower Mounting Screw & Nut Set .....	8.00 set

### Miscellaneous

2417	63-67	Rear License Bezel .....	89.00 ea
8803	63-67	Rear License Bezel Screws .....	2.25 set
8797	63-67	Rear License Bezel Nylon Mtg Nuts .....	2.25 set
1938	63-67	License Plate Stainless Steel Frame .....	15.95 ea
8774	64-65	<b>Coupe Side Vent Grill Set (4 Grills and screws) .....</b>	<b>188.00 set</b>
8775	64-65	Coupe Side Vent Grill - Upper Lt .....	53.00 ea
8776	64-65	Coupe Side Vent Grill - Upper Rt .....	53.00 ea
8777	64-65	Coupe Side Vent Grill - Lower Lt. ....	53.00 ea
8778	64-65	Coupe Side Vent Grill - Lower Rt. ....	53.00 ea
8779	64-65	Screws and Nuts - Coupe Side Vent Grills ..	2.00 set

## FASTENERS



### Bumpers

8707	63-67	Front Bumper Bolt Mounting Kit, Less Spacer - with Correct Head Markings .....	25.50 set
8702	63-67	Front Bumper Bolt Spacers (4 pc set) .....	8.50 set
8708	63-67	Rear Bumper Bolt Mounting Kit with Correct Head Markings .....	25.50 set

### Console

8710	63	Console Screw Set (18) .....	5.00 set
8706	63	Console "U" Nuts (17) .....	5.50 set
8711	64-67	Console Screw Set (8) .....	3.00 set
8709	64-67	Console "U" Nuts (4) .....	1.50 set
5695	67	Pkg Brake Console Screws - Rear (2 pcs) ..	3.50 pr
5793	67	Pkg Brake Console U-Nuts - Rear (2 pcs) ..	1.25 pr
5618	67	Pkg Brake Console J-Nut Set for Console Screws (4 pcs) .....	1.25 set
8712	63-67	Shifter Boot Retainer Screws (11) .....	5.00 set
8713	65-66	Seat Belt Bracket on Console Screws .....	1.25 pr
8299	67	Seat Belt Bracket on Console Screws (4) .....	2.00 set

### Dash

8714	63-67	Glove Box Hinge Spring Screw & Washer ..	1.75 ea
8715	63-67	Dash Cluster Screws (5) .....	5.00 set
4568	63-67	Dash Cluster "U" Nuts (5) .....	3.00 set
8716	63-67	Glove Box Liner Screws (9) .....	5.00 set
8717	63-67	Glove Box Frame Screws (6). ....	5.50 set
8720	63-67	Glove Box Lower Hinge & Support Screws (7) .....	4.00 set
8721	63-67	Glove Box Striker Screws (2) .....	1.50 pr
8724	63	Glove Box Door to Hinge Screws & Washers (3 pr) .....	2.50 set
8722	64-67	Glove Box Door to Hinge Screws & Washers (3 pr) .....	3.00 set
8718	63-64	Grab Opening Insert Screws (4) .....	2.00 set
8719	65-66	Grab Opening Insert Screws (6) .....	2.50 set
8723	63-67	Glove Box Catch Screw & Lockwasher .....	1.25 ea

### Door

8730	63	Coupe on Body Door Weatherstrip Screws (14) .....	11.00 set
8731	64-67	Coupe on Body Door Weatherstrip Screws (14) .....	8.00 set
8732	63-67	Outer Window Seal Screws (12) .....	3.00 set
8733	63-67	Coupe Hinge Pillar Weatherstrip Mtg Kit .....	4.00 set
8737	63-67	Conv. Hinge Pillar Weatherstrip Mtg Kit .....	4.00 set
8199	63-65	Door Access Plate Screws & U-Nuts (24) .....	6.50 set
8734	63-67	Door Striker Screws (6) .....	10.00 set
8735	63-67	Door Latch Mounting Screws, in Door End(8) .....	4.75 set
8201	63-67	Door Opening Mechanism Screws .....	3.00 set
8629	63-67	Door Hinge Screw Set (32 pcs) .....	38.00 set
8736	63-67	Door Wedge Screws (8) .....	4.00 set

### Rivets

5999	63-67	Aluminum Rivets - large 1/2" flat head 5/8" long (25 pcs) .....	4.00 set
6033	63-67	Aluminum Rivets - large 1/2" flat head 7/16" long (25 pcs) .....	4.00 set
1974	63-67	Headlight Rein. Rivets-countersunk-30 pcs ..	6.00 set

Also see HOOD, EMBLEM, MIRROR, GRILL, BUMPERS,  
GAS TANK & GAS DOOR and FASTENERS.

**724-863-0410 Customer Service -- 1-800-327-0185 ORDER Line**

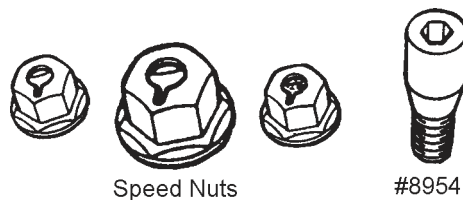
## FASTENERS (continued)

## Engine

8740	63E	Early Aluminum Valve Cover Bolts (8) .....	4.00 set
8741	63L-67	Aluminum Valve Cover Bolts, 327 - Repl (8) .....	4.00 set
8742	63-67	Aluminum Valve Cover Bolts, 327 w/Correct "M" Head Markings (8) .....	8.50 set
8743	63E	Early Steel Valve Cover Bolts, 327 (8) .....	4.00 set
8744	63L-66	Steel Valve Cover Bolts, 327 - Repl. (8) .....	4.00 set
8746	63L-66	Steel Valve Cover Bolts, 327 w/Correct RBW Head Markings (8) .....	8.00 set
8745	67	Steel Valve Cover Bolts, 327 Replacement (8) .....	4.00 set
8747	67	Steel Valve Cover Bolts, 327 w/Correct RBW Head Markings (8) .....	9.00 set
8748	65-66	Valve Cover Bolts 396/427 - Repl. (14) .....	5.25 set
8750	65-66	Valve Cover Bolts 396/427 w/Correct Head Marking (14) .....	14.50 set
8749	67	Valve Cover Bolts 427 - Repl. (14) .....	5.25 set
8757	67	Valve Cover Bolts 427 RBW & SBC Headmarks (10 + 4) .....	14.50 set
8751	67	Valve Cover Bolts 427 No Radio RBW Headmark (14) .....	14.50 set
8756	67	Valve Cover Bolts 427 w/Air RBW & SBC Headmarks (9 + 5) .....	14.50 set
8543	63-65	Steel Valve Cover Bolt Reinforcements, 327 (8) .....	7.00 set
8932	66-67	Steel Valve Cover Bolt Reinforcements, 327 (8) .....	6.50 set
8754	65-67	Valve Cover Bolt Reinforcements, 396/427 (14) .....	11.00 set
8755	63-67	Bolt for Engine Compartment (Used for Splash Pans, Battery Tray & Fan Shroud) ...	.75 ea
7750	63-67	Bolt for Engine Compartment (set of 6) .....	5.00 set
8552	63	w/250HP Intake Manifold Bolt Set "AP" (12 Bolts) .....	12.00 set
8554	63	except 250HP Intake Manifold Bolts (11 Bolts & 1 Stud) .....	20.00 set
8761	64	Intake Manifold Bolt Set 327 w/ "TR" Headmark - Zinc .....	15.00 set
8762	65	Intake Manifold Bolt Set 327 w/ "TR" Headmark- Black .....	14.00 set
8763	63-67	Intake Manifold Bolt Set 327 w/ "M" Headmark - Black .....	14.00 set
7753	63-67	Intake Manifold Bolt Set 327 w/ "M" Headmark - Zinc .....	17.00 set
8764	65-67	Intake Manifold Bolt Set 396/427 w/ "M" Headmark - Zinc .....	17.00 set
7756	65-67	Intake Manifold Bolt Set 396/427 w/Aluminum Intake w/"FP" Headmark - Zinc .....	16.00 set
8765	63-67	Bellhousing to Engine Bolts, w/"M" Head Mark (6) .....	6.50 set

## Exhaust

8780	63-67	Exhaust Heat Shield Mount Strap & Screw (under car Exhaust) .....	10.50 set
8781	63-67	Washer, Exhaust Manifold Bolt - All Engines Stainless Steel (8 pc) .....	7.50 set
8785	63	Exhaust Manifold Bolt Set 327 All .....	20.00 set
8786	64-67	Exhaust Manifold Bolt Set 327 .....	14.00 set
8787	64-67	Exhaust Manifold Bolt Set 327 w/AC .....	22.00 set
8788	65-67	Exhaust Manifold Bolts 396/427 exc. P.S. .....	18.00 set
8789	65-67	Exhaust Manifold Bolts 396/427 w/P.S. ....	22.00 set
8790	66-67	Exhaust Manifold Bolts 427 w/AC .....	26.00 set
8791	66-67	Exhaust Manifold Bolts 427 w/AC & P.S. ...	30.00 set
8792	64-65	Exhaust Manifold Bolts w/F.I. ....	20.00 set



Speed Nuts

#8954

## Exterior Trim

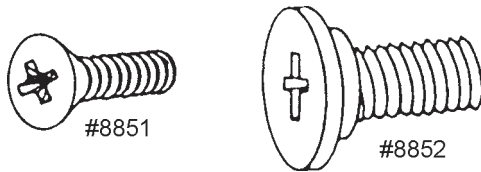
8798	63-67	Rocker Molding Upper Mounting Screw & Nut Set .....	8.00 set
8799	63-64	Rocker Molding Lower Mounting Screw & Nut Set .....	8.00 set
8800	65	Rocker Molding Lower Mounting Screw & Nut Set .....	8.00 set
8801	66-67	Rocker Molding Lower Mounting Screw & Nut Set .....	8.00 set
8832	63-67	Side Pipe Cover to Front Bracket Screw, Nut & Rivet Set (8) .....	4.00 set
8833	63-67	Side Pipe Cover to Rear Bracket Screws ....	2.00 pr
8834	63-67	Side Mount Exh. Cover Upper Molding End Screw & Nut Set .....	4.00 set
8840	63-67	Side Pipe Cover Screws (12 pcs) .....	6.00 set
8841	63-67	Side Pipe Cover U-Nuts (12 pcs) .....	10.00 set
8842	63-67	Side Pipe Cover & Upper Molding Screw Set (includes #8834, 8840, 8841) .....	19.00 set
8802	63-67	Gas Door & Bezel Screws & Nuts (8) .....	3.75 set
8803	63-67	Rear License Bezel Screws (4) .....	2.25 set
8797	63-67	Rear License Bezel Nylon Mtg Nut (4) .....	2.25 set
8900	63E	Headlight Bezel Screws w/Fiberglass Buckets .....	3.75 set
8804	63L-67	Headlight Bezel Screws w/Metal Buckets (8) .....	3.75 set
8805	63-67	Headlight Bezel Nuts (4) .....	2.00 set
8806	63	Long Base Outside Mirror Screw (1) .....	1.25 ea
8954	63-67	Outside Mirror Screw - Socket Head .....	1.75 ea
8808	67	Rally Wheel Center Cap Emblem Screws N.O.S. (4) .....	6.00 set
8809	65-66	Big Block Hood Grill Retainer Screws Repl..(6) .....	1.50 set
8684	65-66	Big Block Hood Grill Retainer Screws Correct..(6) .....	3.75 set
8810	67	Big Block Hood Air Scoop Insert Screws & Nuts (5) .....	3.00 set
8811	63-67	Air Vent Grill, By Windshield Screws (8) .....	3.00 set
8812	63-67	Air Vent Grill, By Windshield U-Nuts (8) .....	3.00 set
8813	63-67	Rear Valence Panel, Side Mtg Bolts & Nuts .....	3.50 set
8814	63-67	Rear Valence Panel, Upper Mounting Bolts, Replacement (8) .....	4.00 set
8815	63-67	Rear Valence Panel, Upper Mounting Bolts w/Correct Head Marking (8) .....	8.50 set
3973	63-67	Rear Valence Panel Rein Plate Rivets (25) .....	4.00 set
8816	63-65	Exhaust Bezel Screws (6) .....	2.50 set
8817	66-67	Exhaust Bezel Nuts (6) .....	2.00 set
8818	63-67	Headlight Support Bolts (12) .....	13.00 set
8825	63-64	Grill Molding Screws (6) .....	3.00 set
8470	63-64	Grill Molding U-Nuts for #8825 (6 pcs) .....	1.75 set
8829	63-64	Grill Molding Clip, Screw & Nut Set .....	24.00 set
8830	63-64	Grill Molding Clips - ONLY (5 required) .....	4.25 ea
8826	63-64	Grill Mounting Screws w/Washers (12) .....	6.50 set
8827	63-64	Grill Mounting Nut (10) .....	5.50 set
8828	65-67	Grill Mounting Screws w/Washers (6) .....	3.50 set
8835	63	Exterior Trim & Emblem Speed Nut Set (51) .....	8.00 set
8836	64	Exterior Trim & Emblem Speed Nut Set (35) .....	8.00 set
8837	65	Exterior Trim & Emblem Speed Nut Set (40) .....	8.00 set
8838	66	Exterior Trim & Emblem Speed Nut Set (47) .....	8.00 set
8839	67	Exterior Trim & Emblem Speed Nut Set (45) .....	8.00 set

## FASTENERS (continued)



### Hood

<b>8895</b>	<b>63-67</b>	<b>Hood Hinge Bolts (10)</b> .....	<b>8.50 set</b>
8897	63-64	Hood Latch Bolts on Firewall (6) .....	5.00 set
8898	65-67	Hood Latch Bolts on Firewall (6) .....	5.00 set
8899	63-67	Hood Support Bolts - <b>Repl. (4)</b> .....	<b>2.00 set</b>
8663	63-67	Hood Support Bolts - <b>Correct Head (4)</b> .....	<b>5.50 set</b>
2642	63-67	Hood Release Cable Stop w/Screw (2 req) .	2.50 ea
2202	63-67	Hood Cable Guide Attaches Hood Release Wire to Lock Lever - Left Side (1 req) .....	4.50 ea



### Interior Trim

8850	65-67	Seat Belt Buckle Screws (2) .....	1.25 pr
8713	65-66	Seat Belt Buckle Bracket on Console Screws (2) .....	1.25 pr
8299	67	Seat Belt Buckle Bracket on Console Screws (4) .....	2.00 set
8851	63-67	Side Seat Rail Screws (12) .....	7.00 set
8852	63-67	Seat Hinge Pivot Bolt (1) .....	3.00 ea
8853	63-67	Seat Hinge Pivot Washer (1) .....	1.50 ea
8854	63-67	Seat Back Adjusting Screw w/Nut & Washer (4 req.) .....	3.00 ea
8856	63-66	Seat Mounting Bolts (12) .....	10.00 set
8857	67	Seat Mounting Bolts (8) .....	7.00 set
8869	63-66	Nylon Seat Bumpers (Plastic) (4) .....	7.00 set
8277	67	Seat Bumper Set (2 Plastic & 2 Metal) Upper and Lower .....	13.00 set
8855	63-67	Seat Bumper Screws (4) .....	2.75 set
8618	63-64	Arm Rest Screws (4) .....	3.50 set
8861	65-66	Arm Rest Screws and Washers(8) .....	4.00 set
8847	67	Arm Rest Screws and Washers .....	4.00 set
8862	63-67	Sunvisor Support Rod to Windshield Frame (4 pcs) .....	3.75 set
5325	63-67	Sunvisor Hardware Kit (includes rods, pivot screws and nuts) .....	15.95 kit
8858	63-64	Door Panel Screws w/Washers (20) .....	6.00 set
8859	65-67	Door Panel Clip Screws (10) .....	3.75 set
8863	65	Door Pull Screws - Black (4) .....	4.00 set
8864	66-67	Door Pull Screws - Plated (4) .....	4.00 set
8865	63-64	Door Sill Plate Screws (8) .....	4.00 set
8866	65-67	Door Sill Plate Screws (12) .....	4.50 set
8884	63-64	Kick Panel Screws - Replacement (14) .....	4.00 set
8867	63-64	Kick Panel Screws - Original (14) .....	15.00 set
8885	65-67	Kick Panel Screws - Replacement (12) .....	4.00 set
8868	65-66	Kick Panel Screws - Original (12) .....	13.00 set
8848	67	Kick Panel Screws and Washers - Original	13.00 set
8883	63-67	Radio Side Panel Screws - Repl. (4) .....	2.50 set
8878	63-67	Radio Side Panel Screws - Original (4) .....	4.50 set
8879	63-67	Coupe Dog Leg Quarter Panel Behind Seat Screws (6) .....	3.75 set
8843	63-67	Coupe Rear Qtr Panel to Dome Panel Clips (4) .....	16.00 set
8880	63-67	Conv. Dog Leg Quarter Panel Behind Seat Screws (6) .....	3.00 set

8819	63-67	Fresh Air Vent Grill Screws (6 pcs) .....	2.50 set
8881	65-66	Power Antenna Switch Screws & Nuts (4) ...	2.00 set
8875	63-67	Steering Wheel Mounting Screws (6) .....	3.50 set
8876	63-67	Inside Mirror to Support Screw (1) .....	2.00 ea
8877	63-67	Inside Mirror Support Screws (2) .....	2.00 pr
1406	63-67	Gas Pedal Screws (2) .....	2.00 pr
8870	63	Coupe Inside Rear Window Molding Screws (28) .....	6.50 set
8872	64-67	Coupe Inside Rear Window Molding Screws (18) .....	5.00 set
8871	63-67	Coupe Halo Panel Screws w/Washers (12) .	4.50 set
8873	63-67	Coupe Inner Windshield Molding Screws (8) .....	5.75 set
8874	63-67	Conv. Inner Windshield Molding Screws (12)	4.50 set

### Interior Fastener Sets

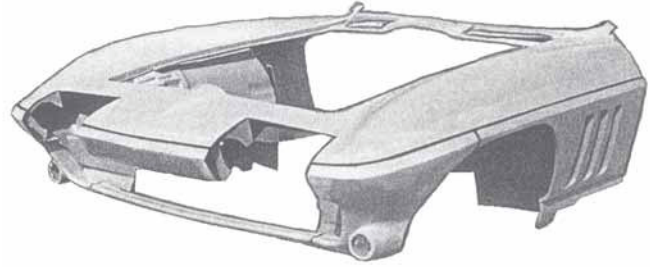
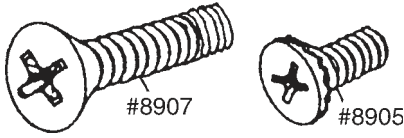
8914	63	Coupe Interior Fastener Set, Includes No.'s: 8710, 8715, 8718, 8851, 8855, 8858, 8862, 8865, 8870, 8871, 8873, 8876, 8877, 8879, 8883, 8884.....List 61.75 .....	<b>SPECIAL.....49.40 set</b>
8915	63	Conv. Interior Fastener Set, Includes No's: 8710, 8715, 8718, 8851, 8855, 8858, 8862, 8865, 8874, 8876, 8877, 8880, 8883, 8884, 8905.....List 56.50 .....	<b>SPECIAL.....45.20 set</b>
8916	64	Coupe Interior Fastener Set, Includes No's: 8711, 8715, 8718, 8851, 8855, 8858, 8862, 8871, 8872, 8873, 8876, 8877, 8879, 8883, 8884.....List 59.00 .....	<b>SPECIAL.....47.20 set</b>
8917	64	Conv. Interior Fastener Set, Includes No's: 8711, 8715, 8718, 8851, 8855, 8858, 8862, 8865, 8874, 8876, 8877, 8880, 8883, 8884, 8905.....List 54.00 .....	<b>SPECIAL.....43.20 set</b>
8918	65-66	Coupe Interior Fastener Set, Includes No.'s: 8711, 8715, 8719, 8850, 8851, 8855, 8859, 8862, 8866, 8871, 8872, 8873, 8876, 8877, 8879, 8883, 8885.....List 62.50 .....	<b>SPECIAL.....50.00 set</b>
8919	65-66	Conv. Interior Fastener Set, Includes No.'s: 8711, 8715, 8719, 8850, 8851, 8855, 8859, 8862, 8866, 8874, 8876, 8877, 8880, 8883, 8885, 8905.....List 54.50 .....	<b>SPECIAL.....43.50 set</b>
8920	67	Coupe Interior Fastener Set, Includes No's: 8711, 8715, 8850, 8851, 8855, 8859, 8862, 8866, 8871, 8872, 8873, 8876, 8877, 8879, 8883, 8885.....List 59.50 .....	<b>SPECIAL.....47.50 set</b>
8921	67	Conv. Interior Fastener Set, Includes No's: 8711, 8715, 8850, 8851, 8855, 8859, 8862, 8866, 8874, 8876, 8877, 8880, 8883, 8885, 8905.....List 52.00 ...	<b>SPECIAL.....41.50 set</b>



### Lights & Lamps

8886	63-67	Parking Light Lens Screws (4) .....	2.00 set
8887	63-67	Tail Light Lens Screws (8) .....	4.00 set
8888	63-67	Tail Light Mounting Nut (8) .....	2.50 set
8889	63-67	License Housing to Body Screw (12 pcs) ....	3.50 set
8891	63-67	License Lamp Lens Screws (4) .....	3.00 set
8890	67	Back-Up Light Lens Screws (4) .....	3.00 set
8892	63-67	Headlight Micro Switch Mounting Screws (4) .....	3.00 set
8893	63-67	Headlight Support Bracket to Motor Screws (2) .....	2.00 pr
8894	63-67	Headlight Support Bracket Grommet to Header Bar Screws .....	2.50 pr

**FASTENERS (cont.)**



**Top (Convertible & Hardtop)**

8905	63-67	Conv. Top Front Latch Screws w/Integral Lock Washers (4) .....	3.00 set
8907	63-67	Conv. Top Front Guide Pin Screws & Washers .....	2.00 set
8906	63-67	Conv. Top Rear Latch on Deck Lid Screw, Nut & Washer Set .....	4.00 set
8908	63-67	Conv. Top Rear Lock Pin on Top Screws - Chrome (4) .....	4.00 set
8909	63-67	Hardtop Front Guide Pin Screws & Washers .....	2.00 set
8910	63-67	Hardtop Front Latch Screws w/Integral Lock Washers (4) .....	3.50 set
8911	63-67	Hardtop Interior Trim Screw Set (23) .....	5.00 set

**Windshield Frame**

8913	63-67	Front Latch Striker Screw on Windshield Frame (4) .....	3.50 set
------	-------	---	----------

**Pre-Assembled Press Molded Front Ends**

Assembled front ends include header bar with bonding strip, headlight end plates, inner skirts and seals, correct rivets and correct bonding adhesive. All front ends have a \$100.00 crating fee plus TRUCK shipping costs.

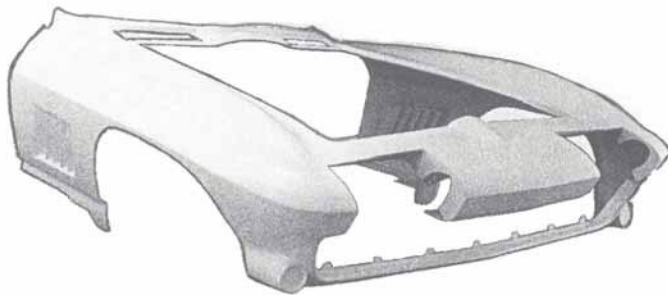
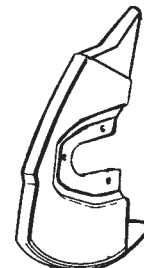
9201	63	Pre-assembled Front End- White .....	3975.00 ea ND
9202	63	Pre-assembled Front End - Light Gray .	3975.00 ea ND
9203	64	Pre-assembled Front End - White .....	3895.00 ea ND
9204	64	Pre-assembled Front End - Light Gray .	3895.00 ea ND
9205	65	Pre-assembled Front End - White .....	3895.00 ea ND
9206	65	Pre-assembled Front End - Light Gray .	3895.00 ea ND
9207	66	Pre-assembled Front End - Dark Gray .	3895.00 ea ND
9208	67	Pre-assembled Front End - Black .....	3895.00 ea ND

**See Next Page for a Complete Listing of Fiberglass Panels & Bonding Strips**

**FIBERGLASS**

**Abbreviations:**

**(T)** Truck Shipped  
**(PM)** Press Molded - in the description means the panel has a smooth surface inside and out as original.



**Stock Front End - One Piece**

One piece hand-layed fiberglass front end. Front ends come with header bar installed. Crating Fee is \$56.00

9010	63-64	Front End Door to Door. ....(T)...DISC	
9013	65-66	Front End Door to Door. ....(T)...DISC	
9014	67	Front End Door to Door. ....(T)...DISC	

**Crating + truck shipping is additional on the above front ends**

**SHIPPING IS EXTRA ON ALL FIBERGLASS ITEMS**

**Headlight End Supports**

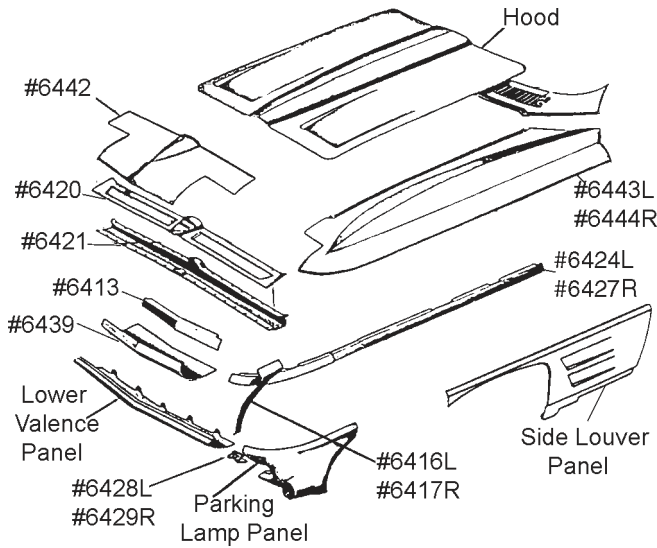
1974	63-67	H.L. Reinforcement Rivet Set (countersunk) (30 pcs) .....	6.00 set
6430	63-67	*Headlight End Reinforcement Plate with Fiberglass - Inner Left. ....	39.00 ea
6431	63-67	*Headlight End Reinforcement Plate with Fiberglass - Inner Right .....	39.00 ea
6432	63-67	*Headlight End Reinforcement Plate with Fiberglass - Outer Left. ....	37.00 ea
6433	63-67	*Headlight End Reinforcement Plate with Fiberglass - Outer Rt.. ....	37.00 ea

\* The Above H.L. Reinforcements are unassembled you must purchase #1974 rivets to assemble.

**Inner Fender Reinforcements**

3365	63-67	Inner Fender/Hood Hinge Reinforcement - Lt .....	16.00 ea
3373	63-67	Inner Fender/Hood Hinge Reinforcement - Rt .....	16.00 ea

**There is a Packaging or Crating Charge on Some Fiberglass Items**



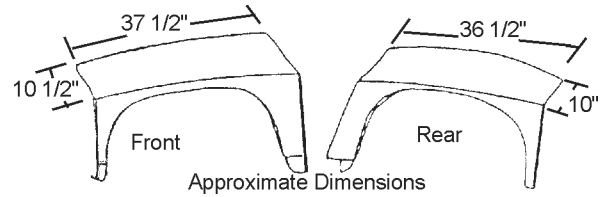
**ALL PRESS MOLDED (PM) PANELS ARE AVAILABLE IN ORIGINAL COLORS - WHITE, GRAY OR BLACK**

### Front End Panels - PM

6405	63-67	Upper Hood Surround Panel (PM).....(T) .	900.00 ea
6476	63-64	Parking Lamp Panel - Lt (PM) .....	180.00 ea
6477	63-64	Parking Lamp Panel - Rt (PM) .....	180.00 ea
6435	65-67	Parking Lamp Panel - Lt (PM) .....	180.00 ea
6436	65-67	Parking Lamp Panel - Rt (PM) .....	180.00 ea
6437	63-64	Side Louver Panel - Lt (PM) .....	210.00 ea
6438	63-64	Side Louver Panel - Rt (PM) .....	210.00 ea
6478	65-66	Side Louver Panel - Lt (PM) .....	210.00 ea
6479	65-66	Side Louver Panel - Rt (PM) .....	210.00 ea
6409	67	Side Louver Panel - Lt (PM) .....	210.00 ea
6410	67	Side Louver Panel - Rt (PM) .....	210.00 ea
6439	63-67	Lower Nose Panel -Above Grill (PM) .....	90.00 ea
6440	63-64	Lwr Valence Panel, Below Grill (PM) .....	110.00 ea
6441	65-67	Lwr Valence Panel, Below Grill (PM) .....	110.00 ea
6480	63-67	Inner Skirt - Lt (PM) .....	290.00 ea
6481	63-65	Inner Skirt - Rt (PM) .....	290.00 ea
6434	66-67	Inner Skirt - Rt (PM) .....	290.00 ea

### Front Bonding Strips - PM

6424	63-67	Top Surround to Side Panel Bonding Strip - Lt (PM) .....	75.00 ea
6427	63-67	Top Surround to Side Panel Bonding Strip - Rt (PM) .....	75.00 ea
6413	63-67	Top Surround to Nose Panel Bonding Strip (PM) .....	60.00 ea
6428	63-67	Parking Light Panel to Valence Bonding Strip - Lt (PM) .....	25.00 ea
6429	63-67	Parking Light Panel to Valence Bonding Strip - Rt (PM) .....	25.00 ea
6416	63-67	Parking Light Panel - Rear Edge Bonding Strip - Lt (PM) .....	55.00 ea
6417	63-67	Parking Light Panel - Rear Edge Bonding Strip - Rt (PM) .....	55.00 ea
6484_	63	Front Inner Skirt to Fender B/Strip - Specify Left or Right .....	40.00 ea
6485_	63	Rear Inner Skirt to Fender B/Strip - Specify Left or Right .....	40.00 ea
6420	63-67	Main Nose Header Bonding Strip (PM) .....	70.00 ea
6421	63-67	Metal Header Support Bar - Main Nose ...	109.00 ea
6422	63-67	Metal Header Support Bar w/Bonding Strip Installed .....	180.00 ea



### Stock Wheel Well Repair Panel - Hand Laid ( For Removing Flares - Takes Fender Back to Original Design)

See above diagram for approximate size.

9140*	63-67	Front Fender Repair Panel - Lt HL .....	115.00 ea
9141*	63-67	Front Fender Repair Panel - Rt HL .....	115.00 ea
9142	63-67	Rear Fender Repair Panel - Lt HL .....	115.00 ea
9143	63-67	Rear Fender Repair Panel - Rt HL .....	115.00 ea

\*Front Panel includes part of parking lamp area



### Front and Rear Fender Tips - PM

6412	63-67	Front Fender Tips (for converting your car from side exhaust) .....	85.00 pr
6414	63-67	Rear Fender Tips (for converting from side exhaust) .....	85.00 pr

### Hoods - Press Molded and correct down to the rivets

9470	63	Stock Hood Assembly (PM) .....	(T).... 950.00 ea
9471	64	Stock Hood Assembly (PM) .....	(T)....950.00 ea
9472	65-67	Small Block Stock Hood Assembly (PM).....(T)...	950.00 ea
9473	65-66	Big Block Stock Hood Assembly (PM)....Specify Year .....	(T)....950.00 ea
9474	67	Big Block Stock Hood Assembly - has scoop reinforcement..(PM) .....	(T)....950.00 ea

**ADD \$60.00 Crating Fee on all Hoods**

### Bonding Materials, Fillers and Resins

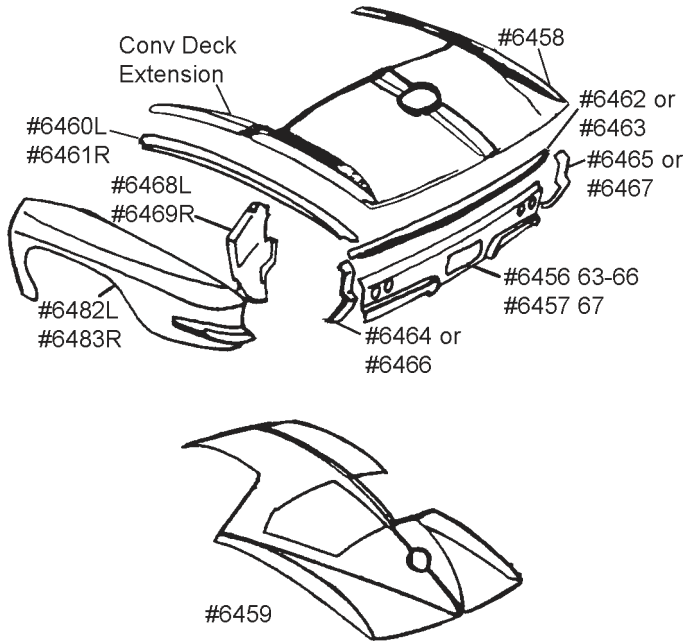
9501	ALL	Body Filler and Adhesive, Quart .....	28.00 ea ND
9500	ALL	Body Filler and Adhesive, Gallon .....	70.00 ea ND
Above items are to be used for Bonding and Filling of Regular Fiberglass and Only as a Filler on Sheet Molded Type (it will not bond sheet molded type).			
9507	ALL	Body Adhesive, Stronger Polyester for Regular Fiberglass & Sheet Molded Type, Quart .....	30.00 ea ND

#### Abbreviations:

- (T) Truck Shipped
- (PM) Press Molded - in the description means the panel has a smooth surface inside and out as original.

**There is a Packaging or Crating Charge on Some Fiberglass Items - INQUIRE**

**SHIPPING IS EXTRA ON ALL FIBERGLASS ITEMS**



**Rear Exhaust Filler Panels**

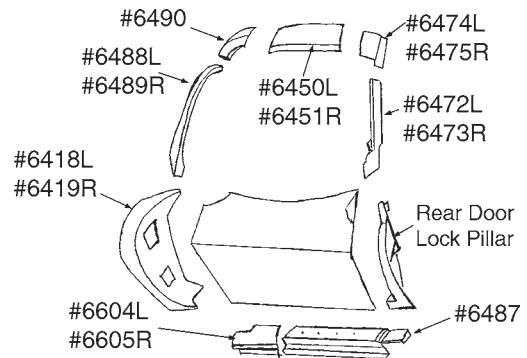
6453	63	Rear Exhaust Panel w/End Strips Installed (PM)	270.00 ea
6452	64-65	Rear Exhaust Panel w/Flanges Installed (PM)	270.00 ea
6454	66-67	Rear Exhaust Panel (PM)	210.00 ea
6455	64-67	Rear Exhaust Panel w/Side Exhaust (PM)	210.00 ea
3364	63-67	Rear Valence Panel Nut Plate	3.50 ea
6415	63-67	Rear Valence/Exhaust Panel Nut Plate and Rivet Set	23.00 set
8813	63-67	Rear Valence Panel Side Mtg Bolts & Nuts	3.50 set
8814	63-67	Rear Valence Panel Upper Mtg Bolts Replacement (8 pcs)	4.00 set
8815	63-67	Rear Valence Panel Upper Mtg Bolts Correct Head Marking (8)	8.50 set

**ALL PRESS MOLDED (PM) PANELS ARE AVAILABLE IN ORIGINAL COLORS - WHITE, GRAY OR BLACK**

**Rear Panels & Bonding Strips - PM**

Always Specify Year and COLOR of Fiberglass - White, Gray or Black

6482	63-67	Rear Side Quarter Panel - Lt (PM)	300.00 ea
6483	63-67	Rear Side Quarter Panel - Rt (PM)	300.00 ea
6460	63-67	Rear Quarter Panel to Upper Deck Bonding Strip - Lt (PM)	60.00 ea
6461	63-67	Rear Quarter Panel to Upper Deck Bonding Strip - Rt (PM)	60.00 ea
6662	63-67	1/4 Panel Front Splash Shield-Lt (PM)	90.00 ea
6663	63-67	1/4 Panel Front Splash Shield-Rt (PM)	90.00 ea
6468	63-67	Rear 1/4 Panel Splash Panel- Lt (PM)	60.00 ea
6469	63-67	Rear 1/4 Panel Splash Panel- Rt (PM)	60.00 ea
6458	63-67	Conv. Rear Deck Panel, Complete (PM)	(T)..725.00 ea
6633	63-67	Conv Deck Panel Extensions - Specify Lt or Rt	65.00 ea
6459	63-67	Coupe Rear Deck Panel Complete - from Windshield to Tail Light (PM)	(T)..1440.00 ea
6456	63-66	Tail Light Panel (PM)	290.00 ea
6457	67	Tail Light Panel (PM)	290.00 ea
6462	63-66	Rear Tail Light Panel to Upper Deck Bonding Strip (PM)	60.00 ea
6463	67	Rear Tail Light Panel to Upper Deck Bonding Strip (PM)	60.00 ea
6464	63	Rear Vertical Quarter Panel to Tail Light Panel Bonding Strip - Lt (PM)	60.00 ea
6465	63	Rear Vertical Quarter Panel to Tail Light Panel Bonding Strip - Rt (PM)	60.00 ea
6466	64-67	Rear Vertical Quarter Panel to Tail Light Panel Bonding Strip - Lt (PM)	60.00 ea
6467	64-67	Rear Vertical Quarter Panel to Tail Light Panel Bonding Strip - Rt (PM)	60.00 ea
6414	63-67	Rear Fender Tips (for converting from side exhaust)	85.00 pr

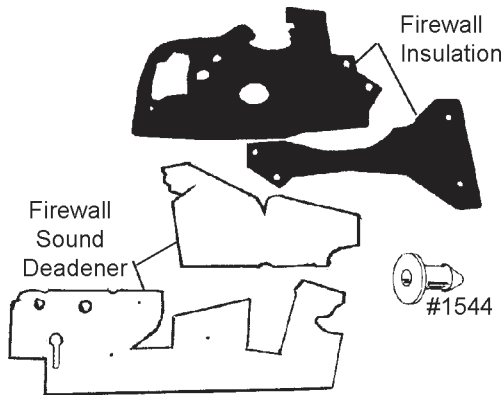


**Door, Lock Pillar and Rocker Panel**

6418	63-67	Front Hinge Pillar Cover - Lt (HL)	125.00 ea
6419	63-67	Front Hinge Pillar Cover - Rt (HL)	125.00 ea
6472	63-67	Coupe Rear Post Bonding Strip -Lt (PM)	50.00 ea
6473	63-67	Coupe Rear Post Bonding Strip -Rt (PM)	50.00 ea
6474	63-67	Coupe Rear Roof Corner Bonding Strip -Lt (PM)	50.00 ea
6475	63-67	Coupe Rear Roof Corner Bonding Strip - Rt (PM)	50.00 ea
6450	63-67	Coupe Roof Side Bonding Strip -Lt (PM)	50.00 ea
6451	63-67	Coupe Roof Side Bonding Strip -Rt (PM)	50.00 ea
6488	63-67	Coupe Windshield Post - Lt (HL)	50.00 ea
6489	63-67	Coupe Windshield Post - Rt (HL)	50.00 ea
6602	63-67	Cpe Windshield Post Bonding Strip-Lt (HL)	50.00 ea
6603	63-67	Cpe Windshield Post Bonding Strip-Rt (HL)	50.00 ea
6604	63-67	Rocker Panel Front Extension - Lt (PM)	50.00 ea
6605	63-67	Rocker Panel Front Extension - Rt (PM)	50.00 ea
6487	63-67	Rocker Panel Repair Section (HL)	160.00 ea
6490	63-67	Front Corner Roof Bonding Strip (PM)	50.00 ea
6470	63-67	Conv Rear Door Lock Pillar Panel - Lt (PM)	135.00 ea
6471	63-67	Conv Rear Door Lock Pillar Panel - Rt (PM)	135.00 ea
6448	63-67	Cpe Rear Door Lock Pillar Panel- Lt (PM)	130.00 ea
6449	63-67	Cpe Rear Door Lock Pillar Panel- Rt (PM)	130.00 ea

**There is a Packaging or Crating Charge on Some Fiberglass Items - INQUIRE**

## FIREWALL



1548	63E	Firewall Insulation Set w/Fasteners .....	145.00 set
10572	63L-64	Firewall Insulation Set w/Fasteners .....	145.00 set
10573	65-66	Firewall Insulation Set w/Fasteners .....	145.00 set
10574	67	Firewall Insulation Set w Fasteners .....	145.00 set
7754	63-64	Firewall Insulation Heater Delete Piece .....	35.00 ea
7755	65-67	Firewall Insulation Heater Delete Piece .....	35.00 ea
<b>Heater Delete Pieces not included with Firewall Insulation Set</b>			
7426	63-67	Upper Firewall Sound Deadener (2 pc) .....	32.50 set
1544	63-67	Fastener for Firewall Insulation - Repl .....	2.25 ea
7427	63-67	Firewall Hole Plug w/Auto Trans. ....	1.25 ea
5738	64-67	Firewall Hole Plug 4sp - above clutch pedal .....	1.00 ea
1433	63-65E	Clutch Rod Boot .....	10.00 ea
5745	63-65E	Clutch Rod Boot Retainer .....	7.00 ea
1434	65L-67	Clutch Rod Boot .....	13.00 ea
7428	63-67	Tach/Speedo Cable Grommet (1 Hole) 2 req 63-64 All, 65-67 3sp or Auto - <b>CORRECT</b> .....	10.00 ea
7413	63-67	Tach/Speedo Cable Grommet (1 Hole) 2 req 63-64 All, 65-67 3sp or Auto - <b>REPL</b> .....	4.00 ea
1469	65-67	Tach/Speedo Cable Grommet (2 Hole) w/4sp (for an Automatic use #7428) .....	5.50 ea
1470	63-67	Grommet for Oil Line No Air or Rear Antenna Cable (2 Hole) Large .....	5.50 ea
1250	63-67	Grommet for Oil Line w/Air (4 Hole) .....	5.50 ea
2514	63-67	Hood Cable Firewall Grommet .....	1.00 ea
1222	63-67	Washer Hose Grommet (2 req.) .....	1.00 ea

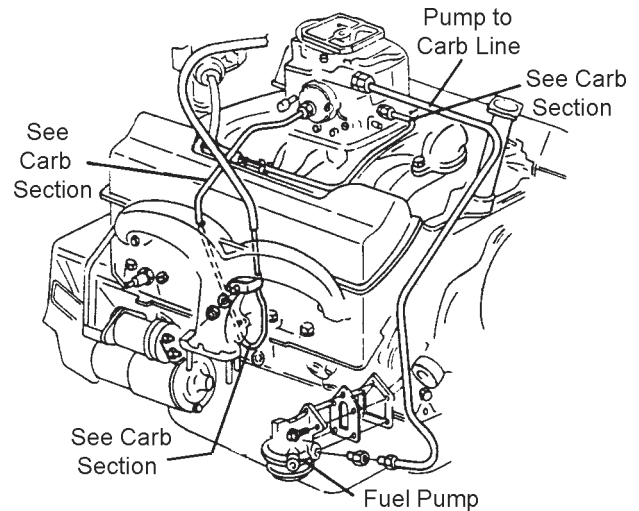
## Stainless Steel Gas Lines - Pump to Carb

All Gas Lines are 300 series S.S. tubing with double inverted flares and steel nuts. All are prebent into original shape.

8142	63-65	250 HP Line w/Fitting .....	24.00 set
8113	63-65	300 HP, 2 Lines, 4 Fittings w/o Filter .....	35.00 set
8115	63	340 HP, 2 Chrome Line, 4 Chrome Fittings w/o Filter .....	42.00 set
8117	64-65	350, 365 HP Chrome Line, 3 Chrome Fittings, Rubber Line w/o Filter .....	39.00 set
8849	64-65	Special Spring Clamps for Hose in #8117 ..	1.00 pr
8119	63-65	F.I. Chrome Lines w/4 Chrome Fittings w/o Filter .....	44.00 set
8121	65	396-425 HP, 3 Piece Kit w/Special Fuel Block Less Filter .....	93.50 set
8122	66	300 HP Chrome Line w/Chrm Fittings .....	32.00 set
8123	66	350 HP Chrome Line w/Chrm Fittings .....	32.00 set
8124	66	390 HP w/90 Degree Elbow Fitting .....	29.00 set
8125	66	427-425 HP 3 Piece Kit w/Special "Y" Block .....	63.00 set
8126	67	300 HP S.S. Line .....	24.00 set
8127	67	350 HP S.S. Line .....	24.00 set
8129	67	390 HP S.S. Line .....	27.00 set
8130	67	400-435 HP, 5 Stainless Steel Lines, 2 Blocks .....	64.00 set
8140	67	L-88, 3 Stainless Steel Lines w/Special "Y" Block .....	62.50 set

## FUEL FILTERS and BRACKETS

See Next Page



## FUEL SYSTEMS & RELATED

### Carbon Steel Gas Lines - Pump to Carb

Gas Lines are Steel Tubing with Double Inverted Flares and Steel Nuts, Same as Original. All are Prebent Into Exact Shape as Original.

6142	63-65	250 HP Line w/Fitting .....	20.00 set
6113	63-65	300 HP, 2 Lines, 4 Fittings .....	27.00 set
6115	63	340 HP, 2 Chrome Lines, 4 Chrome Fittings .....	38.50 set
6117	64-65	350, 365 HP, Chrome Line, 3 Chrome Fittings w/Rubber Line .....	34.00 set
8849	64-65	Special Spring Clamps for Hose in #6117 ..	1.00 pr
6119	63-65	FI Chrome Line with 4 Chrome Fittings ....	42.00 set
6121	65	396-425 HP, 3 Piece Kit w/Special Fuel Block .....	89.00 set
6122	66	300 HP, Chrome Line w/Chrome Fittings ..	29.00 set
6123	66	350 HP, Chrome Line w/Chrome Fittings ..	29.00 set
6124	66	390 HP, w/90 Degree Elbow Fitting .....	24.00 ea
6125	66	427-425 HP, 3 Piece Kit w/"Y" Block .....	59.00 set
6126	67	300 HP Steel Line .....	22.00 set
6127	67	350 HP Steel Line .....	22.00 set
6129	67	390 HP Steel Line .....	24.00 set
6130	67	400, 435 HP - 5 Lines, 2 Blocks .....	60.00 set
6136	67	L-88 3 Piece Kit w/Special "Y" Block .....	57.50 set

### Fuel Hoses & Clamps

6280	63	Rubber Hose - Long Line to Fuel Pump with 2 Tower Clamps .....	9.75 kit
6281	63	Rubber Hose - Fuel Tank Sender to Long Line with 2 Tower Clamps .....	9.75 kit
6282	64-66	Rubber Hose - Long Line to Fuel Pump with 2 Spring Clamps .....	4.00 kit
6788	67	Rubber Hose - Long Line to Fuel Pump with 2 Spring Clamps .....	6.50 kit
6283	64-67	Rubber Hose - Fuel Tank Sender to Long Line with 2 Spring Clamps .....	4.00 kit

**Carbon Steel - Tank to Pump Line**

Tank to Fuel Pump Gas Lines -- 5/16" and 3/8" diameter steel line from gas tank to fuel pump on engine. Includes special armor protector and brass unions where applicable.

6217	63-67	327 Gas Tank to Pump w/Spiral Armor .....	55.00 ea
6214	65-67	396-427 Gas Tank to Pump w/Spiral Armor .....	55.00 ea
6141	63-66	Frame Line to Fuel Pump Inlet Pipe w/90 Degree Fitting - fits 63 All and 64-66 250,300 HP .....	12.00 ea
6146	64-66	327 w/Sp HiPer or F.I., Fuel Pump 90 Degree Inlet Elbow .....	12.00 ea

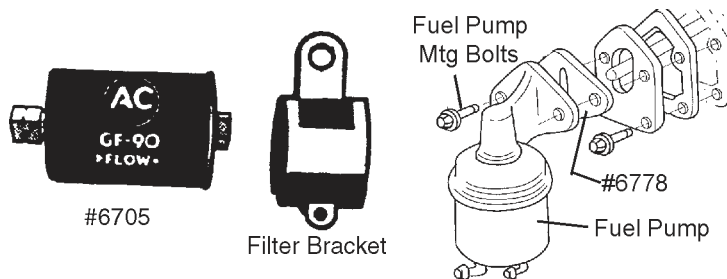
**Stainless Steel - Tank to Pump Line**

Tank to Pump Lines are 304 S.S. with double inverted flares and steel nuts. They are prebent to original shape and include special armor protector in S.S. where applicable.

8217	63-67	327 S.S. Gas Tank to Pump w/Spiral Armor .....	75.00 ea
8214	65-67	396-427 S.S. Gas Tank to Pump w/Spiral Armor .....	75.00 ea
8141	63-66	S.S. Frame Line to Fuel Pump Inlet Pipe w/90 Degree Fitting - fits 63 All and 64-66 250, 300 HP .....	13.50 ea

**Clip Sets & Miscellaneous**

6233	63-67	Fuel Line Clip Set .....	8.00 set
6235	63-67	Fuel Line Clip Bolt Set (6) .....	5.00 set
4482	63-65	Brake & Fuel Line Clip Set .....	19.00 set
4483	66	Brake & Fuel Line Clip Set .....	14.00 set
4484	67	Brake & Fuel Line Clip Set .....	13.00 set
6236	63-67	Gas Line Plastic Bushing in Frame .....	2.50 ea
6232	63-67	Fuel Line Anti-Rattle Fiberglass Loom 12" ..	5.00 ea



**Fuel Filters & Brackets**

6705	63-65	GF-90 Black Fuel Filter - w/Silk Screened White Lettering (Correct) except 250HP .....	50.00 ea LD
6704	63-65	GF-90 Replacement - Oversized Filter with Bracket (plain silver finish) .....	17.50 ea
6707	65	396-425 HP GF-416 Fuel Filter.....	CALL
6708	63-65	300 HP GF-90 Bracket w/Stud - Plain Finish .....	14.50 ea
6709	63-65	w/Sp HiPer or F.I. GF-90 Chrome Bracket w/Stud .....	16.50 ea
3799	63-65	Fuel Filter & Vent Tube Attaching Stud .....	3.50 ea

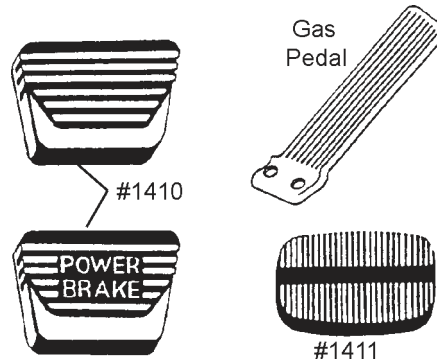
**Fuel Pumps - Replacement**

Replacement AC Delco fuel pumps are new original style. These pumps do not carry the AC cast on top. These replacement pumps fit all factory style lines correctly, and are available for the applications listed below.

6774	63-66	327 Fuel Pump, Fits 63 All, 64 250 HP and 64-65 300HP, 66 300 HP (#4657) ....	49.00 ea
6771	64-66	327 Fuel Pump, Fits all 64-65 w/SpHiPer and 66 350 HP.....#40083 .....	38.00 ea
6713	65-66	Fuel Pump 396/427 - Replacement (has correct square lower fitting) .....	80.00 ea
6772	67	327 New "AC" Fuel Pump w/300, 350 HP ...	32.00 ea
6770	67	427 Fuel Pump - Repl .....	35.00 ea

**Fuel Pump Related**

6775	63-65	Fuel Pump <b>Rebuild Kit</b> (for #4657 Pumps)	35.00 kit
6712	64-66	Fuel Pump <b>Rebuild Kit</b> (350, 365, 375 HP)	35.00 kit
6776	63-66	Fuel Pump Mtg Bolts - All Small Block .....	3.00 pr
8772	67	Fuel Pump Mounting Bolts - Small Block .....	3.00 pr
6777	65-67	Fuel Pump Mtg Bolts - All Big Block .....	3.00 pr
6778	63-67	Fuel Pump Mounting Gasket - GM .....	2.00 ea
6715	63-67	Fuel Pump Push Rod .....	9.00 ea
6716	63-67	327 Fuel Pump Mount Plate .....	8.50 ea
6717	63-67	327 Fuel Pump Mount Plate Bolts .....	2.00 pr
6718	63-67	327 Fuel Pump Plate Gasket .....	2.75 ea



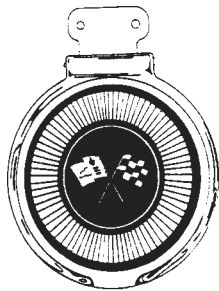
**GAS & BRAKE PEDALS**

1402	63-67	Gas Pedal. (includes anti-squeak) .....	15.00 ea
1306	63-67	<b>Gas Pedal - US Made w/anti-squeak</b> .....	24.95 ea
1417	63-67	Gas Pedal Spacer (under carpet) .....	4.50 ea
1406	63-67	Gas Pedal Screw .....	2.00 pr
1307	63	Gas Pedal Mounting Bracket (underbody) ...	8.50 ea
1163	64-67	Gas Pedal/L.H. Inner Splash Shield Mounting Bracket (underbody) .....	9.50 ea
1409	63-67	Manual Brake & Clutch Pads - 4sp. ....	10.00 pr
1410	63-67	Power Brake & Clutch Pads - 4 sp. ....	10.00 pr
1411	63-67	Manual Brake Pad - AUTO .....	6.50 ea
1412	63-67	Power Brake Pad - AUTO .....	7.00 ea
1295	63-66	Brake Pedal Return Spring Underdash .....	5.50 ea
1293	67	Brake Pedal Return Spring Underdash .....	5.50 ea

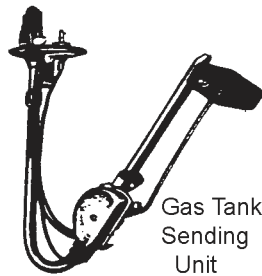
[www.corvettedept.com](http://www.corvettedept.com)



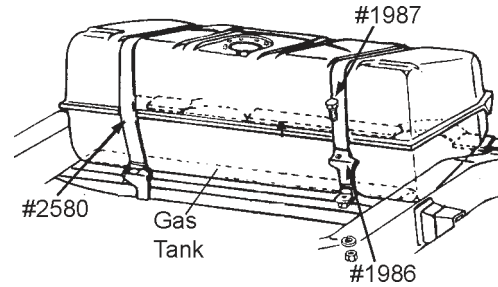
## GAS TANK & GAS DOOR



66 Gas Door



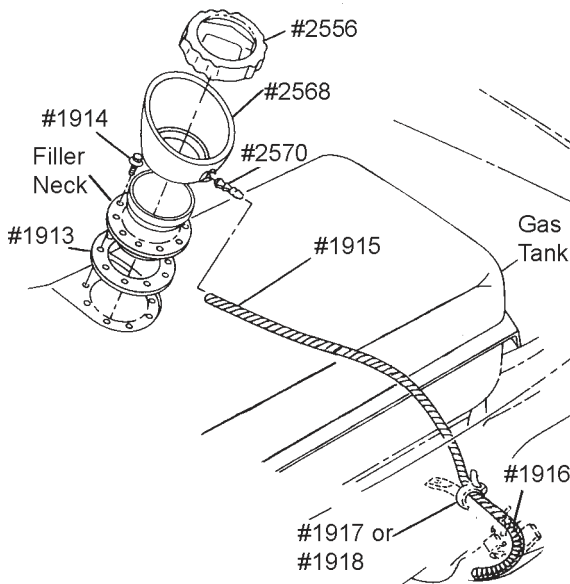
Gas Tank Sending Unit



1925	63E	Gas Door Assy. - Roller Style .....	159.95 ea
1926	63L	Gas Door Assy. - Latch Style .....	79.95 ea
1927	64	Gas Door Assembly .....	79.95 ea
1928	65	Gas Door Assembly .....	79.95 ea
1929	66	Gas Door Assembly (with black square in upper left corner) .....	79.95 ea
2043	66	Gas Door Assembly (with white square in upper left corner) .....	79.95 ea
1930	67	Gas Door Assy. (must be painted body color) .....	87.95 ea

(All 63-67 Gas Doors are U.S. Made -- watch for foreign imitations)

1900	63E	Gas Door Emblem .....	39.00 ea
1901	63L	Gas Door Emblem .....	39.00 ea
1902	64	Gas Door Emblem .....	39.00 ea
1903	65	Gas Door Emblem .....	39.00 ea
1904	66	Gas Door Emblem (with black square in upper left corner) .....	39.00 ea
2042	66	Gas Door Emblem (with white square in upper left corner) .....	39.00 ea
1905	67	Gas Door Emblem (must be painted body color) .....	41.50 ea
2278	63E	Gas Door Bezel on Body (Coupe or Conv) Roller Type .....	19.00 ea
2420	63L-67	Gas Door Bezel on Body - Coupe .....	19.00 ea
2279	63L-67	Gas Door Bezel on Body - Conv. ....	19.00 ea
8802	63-67	Gas Door and Bezel Screws & Nuts (8pcs)	3.75 set



2550	63-67	**Gas Tank - Correct (with O.L. Anderson Logo) less filler neck .....	219.00 ea ND
**Includes #1913 gasket, #3586 gasket, #3587 lock ring and #1914 screws			
2041	63-67	Gasket for Gas Cap.....	2.25 ea
2556	63-67	Gas Cap - Vented w/Correct Logo. ....	27.00 ea
10458	63-67	Locking Gas Cap - Vented w/keys (chrome plated) .....	39.95 ea
3602	63-67	Gas Filler Neck - Coupe .....	69.00 ea
3603	63-67	Gas Filler Neck - Conv .....	69.00 ea
2568	63-67	Gas Filler Neck Seal - Original GM .....	31.00 ea
10293	63-67	Gas Filler Neck Seal - Repro .....	20.00 ea
1913	63-67	Gas Filler Neck to Tank Cork Gasket .....	2.50 ea
1914	63-67	Gas Neck to Tank Screws w/"O"-Ring (9) .	13.50 set
1915	63-67	Filler Neck Overflow Hose .....	5.50 ea
1916	63-67	Filler Neck Overflow Hose Spring .....	5.50 ea
2570	63-67	Filler Neck Overflow Hose Nipple .....	3.50 ea
1917	63-64	Filler Neck Overflow Hose White Strap .....	1.75 ea
1918	65-67	Filler Neck Overflow Hose Black Strap .....	1.50 ea
2580	63-67	Gas Tank Strap for 20 Gallon Tank .....	26.00 pr
1986	63-67	Gas Tank Strap Reinforcements .....	13.00 pr
1987	63-67	Gas Tank Strap Bolt & Nut Kit .....	3.00 pr
2598	63-67	Gas Tank Pads .....	5.00 pr
3528	63-67	Gas Tank Sending Unit .....	60.00 ea
3586	63-67	Sender to Tank "O" Ring Gasket .....	2.00 ea
3587	63-67	Sender to Tank Retaining Cam .....	3.00 ea
3574	63-67	Sending Unit Pick-Up Strainer .....	9.50 ea



## GASKETS & SEALS

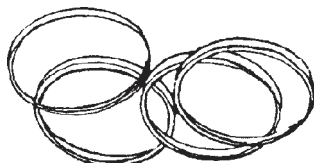
2381	63-64	Door Handle Gaskets. ....	4.00 set
2382	65-67	Door Handle Gaskets.. ....	4.00 set
1229	63-67	Door Lock Cylinder Gaskets .....	2.00 pr
1396	63-67	Fresh Air Vent Door Seal Kit .....	10.00 set
2033	63-67	Parking Lamp Lens Gasket .....	3.50 pr
2110	63-67	Tail Lamp or Back Up Lens Gaskets (4) .....	6.00 set
2086	63-67	Tail Light Housing to Body Gasket (set of 4) .....	6.00 set
2107	63-67	License Light Lens Gasket - correct white ..	2.50 ea
2109	67	BackUp Light Lens Gasket .....	4.00 pr
2469	63	Conv. Top Rear Latch to Body Gasket .....	5.00 pr
9876	64-67	Conv. Top Rear Latch to Body Gasket .....	4.00 pr
2407	63-67	Outside Mirror Gasket .....	1.50 ea
1304	63-67	Lower Steering Column Firewall Seal .....	5.00 ea
1254	63-67	Windshield Washer Nozzle Gasket .....	1.25 pr
1310	63-67	Wiper Motor Seal .....	2.50 ea
2114	63-67	Hardtop Side Anchor Nut Gasket .....	.75 ea
2115	63-67	Hardtop Rear Ferrule Gaskets .....	1.50 pr
1043	63-67	Air Cond. Battery Access Cover Gasket .....	4.00 ea
1222	63-67	Washer Hose Grommet (2 req.) .....	1.00 ea
3409	63-67	Fuse Box Gasket .....	3.00 ea

GASKET SETS - See Next Page

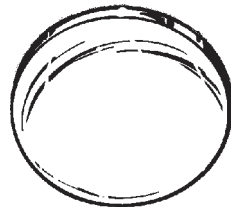
**Gasket Sets**

These sets include the most often requested gaskets and they save you money when ordering.

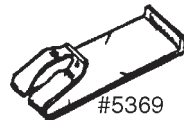
2003	63-64	Gasket Set (Includes: seals for mirror, washer nozzles, door lock cylinders, license lens, parking lamp lens, antenna, deck lid locks, door handles, tail lamp lens & tail lamp to body) (23 pcs) .....	32.00 set
2004	65-66	Gasket Set (Includes: seals for mirror, washer nozzles, door lock cylinders, license lens, parking lamp lens, antenna, deck lid locks, door handle, tail lamp lens & tail lamp to body) (23 pcs) .....	32.00 set
2005	67	Gasket Set (Includes: seals for mirror, washers nozzles, door lock cylinders, license lens, parking lamp lens, antenna, deck lid locks, door handles, tail lamp lens, tail lamp to body & back-up lamps) (25 pcs) .....	32.00 set



Small Gauge Lenses



#5466

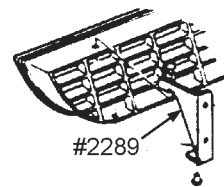
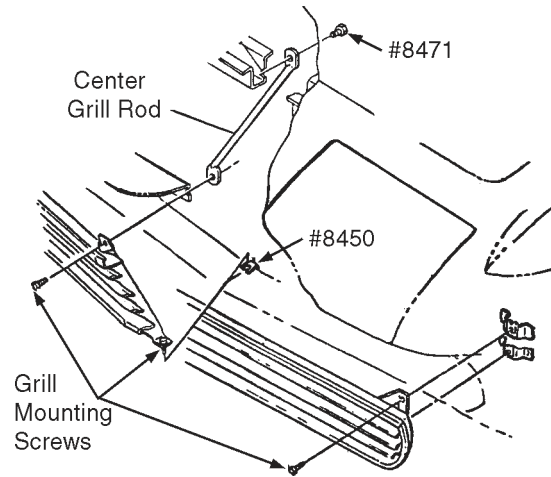


#5369

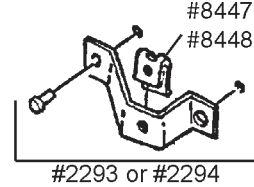
**GAUGES & CLOCKS**

5485	63	Instrument Lens Set (8 pcs) .....	61.75 set
5465	63	Tach or Speedometer Lens .....	11.95 ea
5478	63	Small Gauge Lens Set (4 pcs) .....	21.75 set
5466	64-67	Tach or Speedometer Lens .....	9.00 ea
5467	64-67	Small Gauge Lens .....	5.00 ea
5299	63-64	Speedo or Tach Needle .....	39.95 ea
7966	65-67	Speedo or Tach Needle .....	14.95 ea
5908	63-67	Instrument Needle Red Paint 3/4 oz .....	4.00 jar ND
4573	63-64E	Trip Odometer Reset Cable w/Knob & Nut 15 3/4" long with aluminum body .....	48.00 ea
5398	64L-67	Trip Odometer Reset Cable w/Knob & Nut 15 3/4" long with brass body .....	48.00 ea
5474	63-67	Trip Odometer Reset Knob .....	3.00 ea
5431	63-67	Trip Odometer Shaft Nut .....	5.00 ea
4574	63-67	Trip Odometer Lens .....	10.50 ea
5900	63-64	Clock Bezel, Silver .....	58.70 ea
5901	65-67	Clock Bezel, Black .....	58.70 ea
5473	63-67	Clock Knob .....	10.00 ea
5463	63-67	Clock Lens .....	12.50 ea
5369	63-67	Clock Clip (2 req.) .....	3.50 ea
10234	65-67	Ammeter Gauge .....	79.95 ea
10235	65-67	Fuel Gauge .....	79.95 ea
10236	65	Temperature Gauge 240 .....	79.95 ea
10306	66-67	Temperature Gauge 250 .....	79.95 ea
10237	65-67	Oil Gauge 60# .....	79.95 ea
10238	65-67	Oil Gauge 80# .....	79.95 ea
10310	65-67	Tachometer 5500 Redline .....	129.00 ea
10311	65-67	Tachometer 6000 Redline .....	129.00 ea
10312	65-67	Tachometer 6500 Redline .....	129.00 ea

**GRILL**



#2289

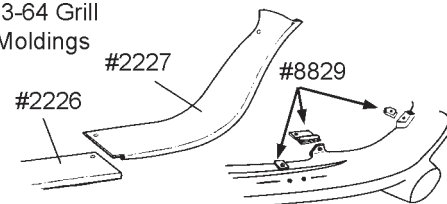


#2293 or #2294

#8447 63-64

#8448 65-67

63-64 Grill Moldings



<b>2269</b>	<b>63-64</b>	<b>Grill Assembly</b> .....	<b>269.00 ea</b>
2293	63-64	Grill Mounting Brackets, Screws, U-Nuts, Bracket U-Nut and Rivets - Complete Set	21.00 set
8447	63-64	Grill Bracket J-Nuts (2) .....	1.25 pr
8826	63-64	Grill Mounting Screws w/Washers (12 pcs) .....	6.50 set
8827	63-64	Grill Mounting U-Nuts (10 pcs) .....	5.50 set
2226	63-64	Lower Center Grill Molding .....	79.00 ea
2227	63-64	Grill Corner Moldings .....	89.95 pr
8829	63-64	Grill Molding Clip, Screw & Nut Set .....	24.00 set
8830	63-64	Grill Molding Clips - ONLY (5 req) .....	4.25 ea
8825	63-64	Grill Molding Screws (6 pcs) .....	3.00 set
8470	63-64	Grill Molding U-Nut Set (6 pcs) .....	1.75 set
<b>2270</b>	<b>65</b>	<b>Grill Assembly</b> .....	<b>409.00 ea</b>
2287	65	Center Grill Support Rod .....	16.00 ea
8472	65	Center Support Rod Lower Screw .....	1.75 ea
<b>2271</b>	<b>66-67</b>	<b>Grill Assembly</b> .....	<b>409.00 ea</b>
2288	66-67	Center Grill Support Rod .....	14.00 ea
8471	65-67	Center Support Rod Upper Screw .....	.75 ea
2294	65-67	Grill Mounting Brackets, Screws, U-Nuts, Bracket U-Nut & Rivets - Complete Set ...	18.00 set
2289	65-67	Grill End Support Brackets - from grill to brackets on inner fender (2 req) .....	9.00 ea
8473	66-67	Grill Brackets (#2289) to Grill RIVETS .....	1.25 set
8828	65-67	Grill Mounting Screws w/Washers (6) .....	3.50 set
8448	65-67	Grill Bracket J-Nuts (4 pcs) .....	2.50 set
8450	65-67	Lower Grill J-Nut (1 req) .....	.75 ea

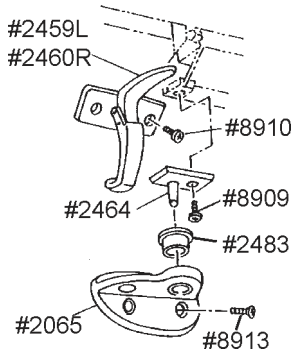
Headlight Support Rods - See Headlight Section  
See also FASTENER & EXTERIOR TRIM Sections.

## HARDTOP

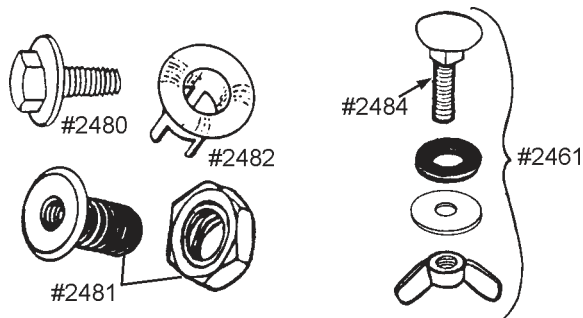
### Hardtop Repair Kits

Includes rear window, headliner, screw kit, header weatherstrip retainer clips, rear molding retainer clips and rear upper molding retainer clips.

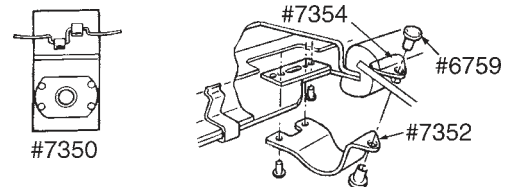
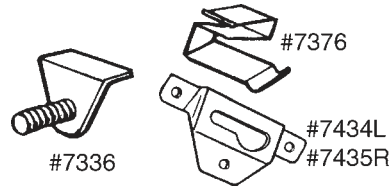
7408	63-65	Hardtop Repair Kit .....	709.00 kit LD
7409	66-67	Hardtop Repair Kit .....	709.00 kit LD



2459	63-67	Header Lock Conv. or Hardtop - Lt .....	104.95 ea
2460	63-67	Header Lock Conv. or Hardtop - Rt .....	104.95 ea
8910	63-67	Hardtop Front Latch Screws w/Integral Lock Washers (4) .....	3.50 set
2464	63-67	Hardtop Front Guide Pins .....	29.50 pr
8909	63-67	Hardtop Front Guide Pin Screws & Washers .....	2.00 set
2483	63-67	Bushing - for front Guide Pin .....	4.00 pr
2065	63-67	Front Striker on Windshield Frame .....	59.00 pr
8913	63-67	Frame Latch Striker Screw on Windshield Frame (4) .....	3.50 set



7337	63-67	<b>Hardtop Complete Mount Kit</b> (Includes 2 - #2480, 2 - #2481, 2 - #2482, 2 - #2461, Bumpers & Gaskets) .....	31.00 kit
7338	63-67	<b>Hardtop Side Mount Set</b> (Includes 2 - #2480, 2 - #2481 & Gaskets) .....	16.00 kit
7339	63-67	<b>Hardtop Rear Mount Set</b> (Includes 2 - #2482, 2 - #2461, Gaskets & Bumpers) .....	17.00 set
2480	63-67	Htp. Hold Down Bolt (2 req) .....	3.50 ea
2481	63-67	Hardtop Hold Down Anchor Nut w/Jam Nut (2 req) .....	6.00 ea
2482	63-67	Hardtop Rear Ferrule ( 2 req) .....	6.00 ea
2484	63-67	Hardtop Rear Hold Down Bolt (2 req) .....	4.00 ea
2461	63-67	Ferrule Plug - when Hardtop is off .....	4.50 ea
7340	63-67	Hardtop Mounting Gaskets (6 pc set) .....	4.00 set
2114	63-67	Hardtop Side Anchor Nut Gasket .....	.75 ea
2115	63-67	Htp Rear Ferrule Gaskets .....	1.50 pr

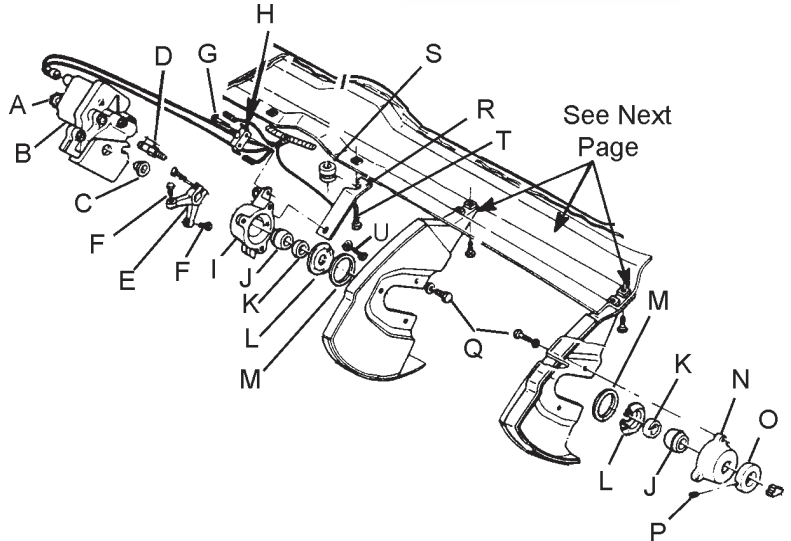
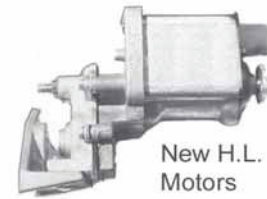
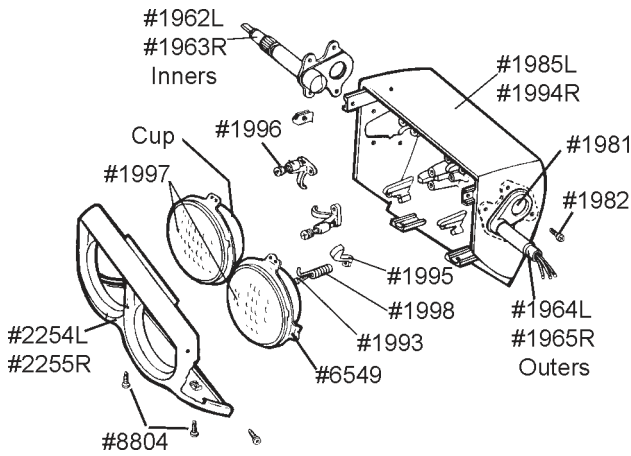


9886	63-67	Deck Lid Spring (2 req) .....	8.00 ea
8911	63-67	Htp Interior Trim Screw Set (23 pcs) .....	5.00 set
7336	63-67	Hardtop Side Brackets (Weld to Htp) .....	28.00 pr
7349	63-67	Hardtop Rear Lower Molding Clip SCREW Set .....	8.50 set
7350	63-67	Hardtop Rear Lower Molding CLIP (10 req) .....	6.50 ea
7351	63-67	Hardtop Rear Lower Molding CLIP SET (10 pc set) .....	53.00 set
7352	64-67	Hardtop Rear Window Upper Inner Reinforcement .....	22.00 ea
7353	64-67	Hardtop Rear Window Lower Inner Reinforcement .....	22.00 ea
7354	64-67	Outer Reinforcement for Htp Rear Window Screw .....	13.00 pr
6759	64-67	Htp Rear Window Special Screw & Nut (2 pair required) .....	16.00 pr
7434	63-67	Hardtop Rear Bolt Keyhole Bracket and Rivets - Lt .....	27.00 ea
7435	63-67	Hardtop Rear Bolt Keyhole Bracket and Rivets - Rt .....	27.00 ea
7376	63-67	Hardtop Rear Bolt Spring Retainer in Keyhole (must remove keyhole bracket to install) ... ..	13.50 ea
7348	63-67	<b>Hardtop Rear Window</b> - Plexiglass - Dated Specify Date (crating and shipping are extra) .....	330.00 ea ND
7341	63-67	<b>Hardtop Wrench</b> (required by NCRS & Bloomington Gold for all cars equipped w/Hardtop - Exact Repro) .....	24.50 ea
6311	63-67	<b>Hardtop Hoist</b> - 2 pulley system attaches to rafters of your garage to get the hardtop removed from your car (includes nylon sling, nylon rope, hardware & instructions) .....	39.95 ea ND
9083	63-67	<b>Deck Lid Protectors</b> - are static cling film - no adhesive needed. Specify Clear or Black and Hardtop or Softtop .....	27.00 ea

**See also CONVERTIBLE TOP & DECK LID, FASTENERS and WEATHERSTRIP Sections.**

**Not sure what to buy someone?  
Gift Certificates!**  
We can send the gift certificate and a catalog to you or directly to the recipient.

**HEADLIGHT**

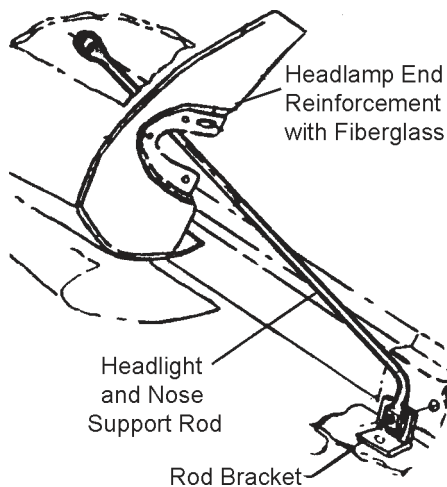


1997	63-67	T-3 Headlight Bulbs-Correct Repro (4 pcs) .....	119.00 set
1962	63-67	Pivot Shaft - Inner, Lt.- Repro .....	59.95 ea
1963	63-67	Pivot Shaft - Inner, Rt.- Repro .....	59.95 ea
1951	63-67	HL Adjusters w/Screws SET (8 of #1996) .	13.00 set
1996	63-67	HL Plastic Adjuster w/Screw -(for Metal Bucket) 8 req .....	2.00 ea
1993	63-67	HL Adjuster & Insulator to Door Screws (20 pcs) .....	6.00 set
1995	63-67	HL Plastic Bumper (4 pcs) .....	6.50 set
1944	63E	HL Tension Spring - <b>offset type</b> .....	4.00 pr
1998	63L-67	HL Tension Spring - <b>straight type</b> (4 req) ....	2.00 ea
1985	63-67	H.L. Housing - Metal, Lt - Repro .....	219.00 ea
1994	63-67	H.L. Housing - Metal, Rt - Repro .....	219.00 ea
1981	63-67	Headlight Housing Hole Plug (4 pcs) .....	3.00 set
1964	63-67	Pivot Shaft - Outer, Lt .....	59.95 ea
1965	63-67	Pivot Shaft - Outer, Rt .....	59.95 ea
6549	63-67	Headlight Bulb S.S. Retaining Ring .....	11.00 ea
1954	63-67	Headlight Bulb S.S. Retaining Ring Screws -CORRECT (12) .....	8.00 set
6551	63-67	HL Bulb Retaining Cup - Inner Lt or Rt .....	15.00 ea
6552	63-67	HL Bulb Retaining Cup - Outer Lt or Rt .....	15.00 ea
2254	63-67	Headlight Bezel - Lt .....	59.50 ea
2255	63-67	Headlight Bezel - Rt .....	59.50 ea
8900	63E	Headlight Bezel Screws w/Fiberglass Buckets (4 long, 4 short) .....	3.75 set
8804	63L-67	Headlight Bezel Screws (8) .....	3.75 set
8805	63-67	Headlight Bezel Nuts (4) .....	2.00 set
1982	63-67	Headlight Pivot Support Screw, 16 req .....	.75 ea
10062	63-67	Headlight Pivot Support Screws (16 pcs) ....	9.00 set
3600	63-67	Headlight Door Switch (Opens & Closes Bucket) .....	109.00 ea
8705	63-67	HL Door Open Switch Mtg Screws & Nuts ..	1.75 set
7231	63-67	HL Door Open Switch Connector w/Pigtail (non-original color codes) .....	14.00 ea
1907	63-66	HL Motor Circuit Breaker .....	13.00 ea
1908	63-66	HL Motor Circuit Breaker Clip .....	13.00 ea
10313	63-67	HL Motor Connector w/pigtail - Lt .....	11.00 ea
10314	63-67	HL Motor Connector w/pigtail - Rt .....	11.00 ea

<b>10438</b>	<b>63-67</b>	<b>Headlight Motors - NEW - PAIR .....</b>	<b>650.00 pr LD</b>
3530	63-67	Headlight Motor - NEW - Lt. (B) .....	349.00 ea
3531	63-67	Headlight Motor - NEW - Rt.(B) .....	349.00 ea
1959	63-67	Headlight Motor Adjuster Star Wheel.(A) .....	6.00 ea
1958	63-67	Headlight Motor Bushing.....(C) .....	2.50 pr
1955	63-67	Main Drive Gear - Headlight Motor .....	25.00 ea
1956	63-67	Support Stud - Headlight Motor.....(D) .....	5.50 ea
1969	63-67	Headlight Motor Star Wheel Retainer Clip ...	1.25 pr
1957	63-67	Headlight Motor Retainer Clip .....	.75 ea
1960	63-67	HL Opening "Y" Stop - <b>ORIGINAL</b> ...(E) .....	30.00 ea
1920	63-67	HL Opening "Y" Stop - <b>improved stainless steel</b> .....(E) .....	25.00 ea
1961	63-67	Opening Stop Adjuster Screws (4) ..(F) .....	4.50 set
8892	63-67	Limit Switch Mounting Screws (4).....(G) .....	3.00 set
3601	63-67	Headlight Door Limit Switch.- 2 req....(H) .....	7.95 ea
1966	63-67	Pivot Support - Inner, Lt.....(I) .....	35.00 ea
1967	63-67	Pivot Support - Inner, Rt.....(I) .....	35.00 ea
10308	63-67	Headlamp Rebuild Kit - 4 rubber seals, 4 felt seals, 4 metal washers and 4 nylon pivot balls .....	42.00 set
10309	63-67	Headlamp Repair Seal Kit - 4 rubber seals, 4 felt seals, 4 metal washers .....	18.00 set
1975	63-67	Pivot Ball (original brass & steel) 4 req .....	7.00 ea
1976	63-67	Pivot Ball - Improved Nylon, 4 pcs..(J) ....	31.00 set
1977	63-67	Pivot Shaft Felt Seal, 4 pcs.....(K) .....	4.75 set
1978	63-67	Pivot Shaft Rubber Seal, 4 req.....(L) .....	2.50 ea
1979	63-67	Pivot Shaft Seal Washer, 4 req.....(M) .....	2.50 ea
1968	63-67	Pivot Support - Outer Left or Right (2 req) .....	35.00 ea
1980	63-67	Pivot Shaft End Collar Spacer (2 req)...(O) ..	5.50 ea
1999	63-67	Pivot Shaft End Collar Spacer Screws (2 req).....(P) .....	1.00 pr
1983	63-67	Headlight Pivot Support Bolt, 12 req.....(Q) .....	1.25 ea
8818	63-67	Headlight Pivot Support Bolts (12).....(Q) ..	13.00 set
3532	63-67	Headlight Motor Mount Bracket.....(R) .....	4.00 ea
1984	63-67	Headlight Motor Mounting Grommet...(S) .....	3.00 ea
8894	63-67	Headlight Support Bracket Grommet to Header Bar Screw (2).....(T) .....	2.50 pr
8893	63-67	Headlight Support Bracket to Motor Screws (2).....(U) .....	2.00 pr

**See Next Page for HEADER BAR, Headlamp REINFORCEMENTS and Headlight RODS**

## HEADLIGHT (continued)

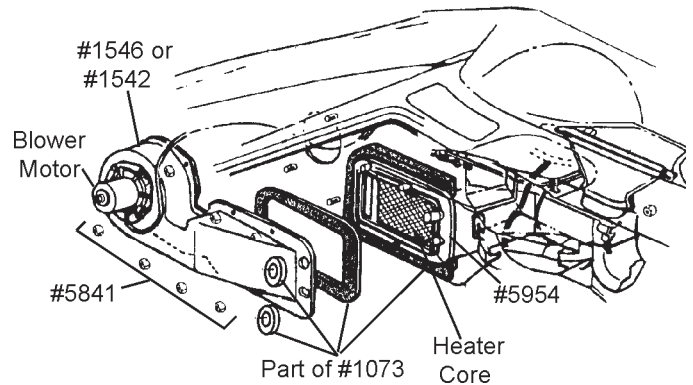


6430*	63-67	Headlamp End Reinforcement w/Fiberglass Inner - Lt	39.00 ea
6431*	63-67	Headlamp End Reinforcement w/Fiberglass Inner - Rt	39.00 ea
6432*	63-67	Headlamp End Reinforcement w/Fiberglass Outer - Lt	37.00 ea
6433*	63-67	Headlamp End Reinforcement w/Fiberglass Outer - Rt	37.00 ea
<b>*The above headlamp reinforcements are unassembled - you must purchase #1974 rivets to assemble.</b>			
1974	63-67	Headlight Reinforcement Rivet Set Countersunk (30 pcs)	6.00 set
6421	63-67	Headlight Reinforcement Bar - Less Fiberglass	109.00 ea
6422	63-67	Headlight Reinforcement Bar with Fiberglass Bonding Strip - Specify White, Gray or Black Fiberglass	180.00 ea
5999	63-67	Aluminum Body Assembly Rivets - Large Flat Head 5/8" Long (25 pcs)	4.00 set
10307	63-67	Wiring Harness Clip to Header Bar plastic coated as <b>original</b> (4 pcs)	22.00 set
3398	63-67	Wiring Harness Clip to Header Bar non-coated <b>replacement</b> (4 pcs)	14.00 set
3150	63-65	Headlight & Nose Support Rod - Lt	16.00 ea
3151	63-65	Headlight & Nose Support Rod - Rt	16.00 ea
3149	63-65	Headlight & Nose Rod Bracket (2 req)	8.50 ea
3152	66-67	Headlight & Nose Support Rod - Lt	16.00 ea
3153	66-67	Headlight & Nose Support Rod - Rt	16.00 ea
3118	66-67	Headlight & Nose Rod Bracket (2 req)	12.00 pr

See also **SWITCHES, FASTENERS and WIRING HARNESS Sections.**

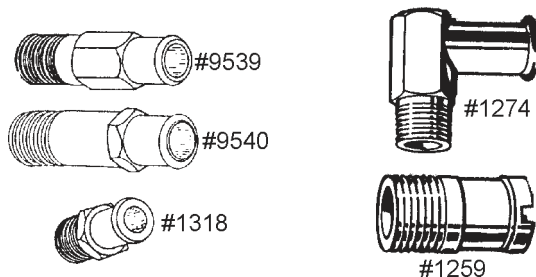
**Assembly Manuals**  
**See Page 211**

## HEATER & AIR CONDITIONING



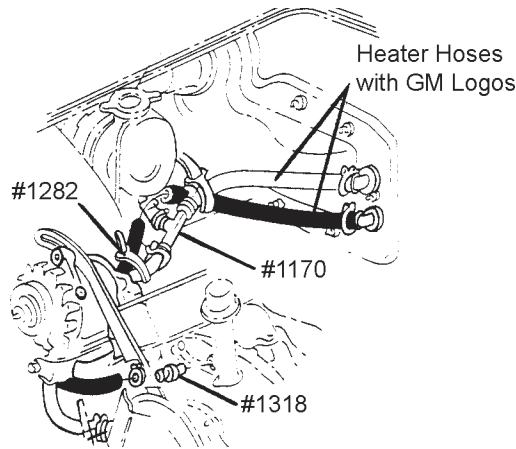
### Heater & Air

1546	63	**Heater Blower Box Underhood, no air	209.00 ea
1542	64-67	**Heater Blower Box Underhood, no air	205.00 ea
<b>** Note: #1546 and #1542 have back plate installed</b>			
5841	63-67	Heater Blower Box Nut Set (7 pc)	3.50 set
5823	63-67	Inner Heater Box, (No Air) Bolt Plate & Rivet Set (3 straight, 1 corner, 8 rivets)	16.00 set
1073	63-67	Heater Box Gasket Set, No Air	27.00 set
1069	63-67	Heater Box Gasket Set w/Air	37.00 set
1356	64-67	Heater Blower Motor - exc. Air	29.95 ea
1357	63-67	Heater Blower Motor - with Air	29.95 ea
7764	63-67	Heater Blower Motor Resistor exc Air	8.50 ea
1360	63-67	Heater Core - exc. Air	75.00 ea
1379	63-67	Heater Core - with Air	83.95 ea
5954	63-67	Heater Core Mounting Plate - non air	89.00 ea
5955	63-67	Heater Core Straps (non-air)	16.00 pr
5958	63-67	Heater Core Straps (with air)	16.00 pr
5956	63-67	Heater Core Strap Screws (4)	1.50 set
9534	63-67	Heater Water Shut-off Valve w/Air-correct	99.00 ea
10141	63-67	Heater Water Shut-off Valve Bracket, Clip and Screw	19.00 set



1318	63-67	Heater Hose Fitting on Intake Manifold 1/2" THD. use 5/8" Hose	8.50 ea
1259	63-67	By-Pass Fitting on Intake Manifold (63-67 w/Sp HiPer)	8.00 ea
9539	63-67	Heater Hose Fitting in Water Pump exc Air	11.00 ea
9540	63-67	Heater Hose Fitting in Water Pump (63-67 327 w/Air)	10.00 ea
1274	63-67	327 90 degree Top of Water Pump Fitting	16.00 ea
9530	63-67	3/4" to 1/2" N.P.T. Adapter	7.00 ea
3193	63-67	90 degree Water Pump By-Pass Hose 327 w/Sp HiPer	7.00 ea
3195	65-67	90 degree Water Pump By-Pass Hose w/396, 427	6.00 ea
3129	66-67	180 degree Water Pump ByPass Hose 66-67 w/427 and A.I.R. Pump)	22.00 ea
3841	65-67	Water Pump or Intake Manifold By-Pass Pipe - Press in Type w/396, 427 - 2 req	5.50 ea

## HEATER (continued)



### Heater Hoses, Clamps, Etc

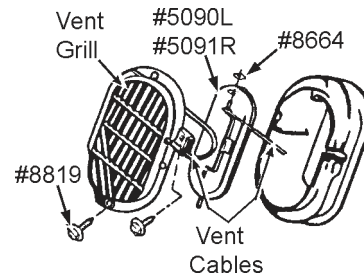
1397	63-67	Heater Hose Set - Ribbed w/Red & White Logos (cut to length) .....	38.00 pr
10286	63-67	Heater Hose Set - Ribbed <b>NO</b> Logos ....	21.00 pr
1170	63-67	Heater Hose Water "T" .....	11.00 ea
1280	63-65	Heater Hose Bracket on Alternator Correct twist as original .....	11.00 ea
1617	64-67	Heater Hose Retainer on Inner Fender (holds 2 hoses together) .....	4.00 ea
1281	63-67	Heater Hose Clamp on RH Inner Fender ..	11.00 ea
1282	63-64	Heater Hose Aluminum Tie Strap Set (6) ...	16.00 set
1917	63-64	White "T" Shaped Tie Strap 5" .....	1.75 ea
1918	65-67	Black "T" Shaped Tie Strap 5" .....	1.50 ea
1912	63-67	Push-in Style Tie Strap .....	1.50 ea

### Rear Blower

7951	64-65	Rear Blower Drain Hose w/Spring -REPL ..	25.00 ea
7970	64-65	Rear Blower Drain Metal Shield .....	16.00 ea
2204	65	Rear Blower Knob .....	10.00 ea

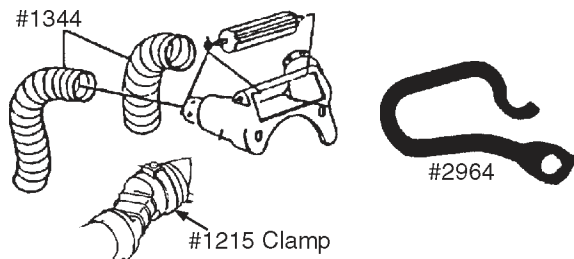
### Heater, Defroster, Temp, Etc Cables

1339	63-67	Heater Control Switch w/Cable - No Air (LH under clock) .....	129.00 ea ND
1340	63-67	Heater & Air Conditioning Control Switch w/Cable - with Air (LH under clock) .....	129.00 ea ND
7207	63-67	Defroster Cable - No Air (RH under clock) REPLACEMENT .....	63.00 ea
7208	63-67	Defroster Cable - with Air (RH under clock) REPLACEMENT .....	63.00 ea
7209	63-67	Air/AC Cable - with Air (LH above clock) REPLACEMENT .....	75.00 ea
7210	63-67	Temp Cable - with Air (RH above clock) REPLACEMENT .....	75.00 ea



### Vent Cables, Vent Door & Related

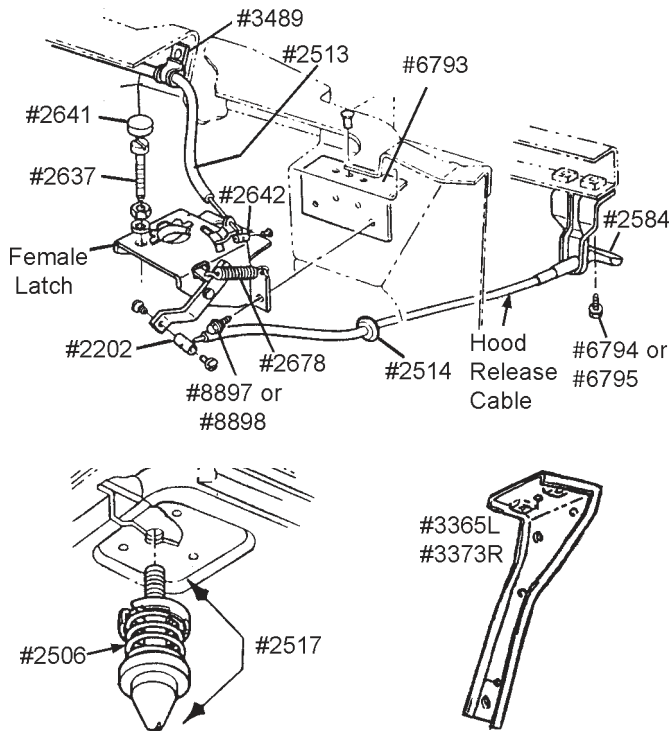
4589	63-64	Vent Cable Assy with Knob & Brkt, no air	104.00 pr
2208	65-66	Vent Cable Assy with Knob & Brkt, no air	112.50 pr
5086	63-64	Vent Cable Assy w/Knob & Brkt - Lt no air	69.00 ea
8475	64	Vent Cable Assy w/Knob & Brkt - Lt w/air	82.50 ea
5087	63-64	Vent Cable Assy w/Knob & Bracket - Rt ..	69.00 ea
5088	65-66	Vent Cable Assy w/Knob & Brkt - Lt no air	74.50 ea
8474	65-66	Vent Cable Assy w/Knob & Brkt - Lt w/air	82.50 ea
5089	65-66	Vent Cable Assy w/Knob & Bracket - Rt ...	74.50 ea
7248	67	Vent Cable Assy - less knob -Lt (REPL) ..	35.00 ea
7249	67	Vent Cable Assy - less knob -Rt (REPL) ..	35.00 ea
8664	63-67	Vent/Heater Cable Push Nuts (5 pcs) .....	1.50 set
8477	63-64	Vent Cable Screws (2 pcs) .....	1.25 pr
8478	65-67	Vent Cable Screws (2 pcs) .....	1.25 pr
4596	63-67	Fresh Air Vent Grill - Lt .....	52.00 ea
4597	63-67	Fresh Air Vent Grill - Rt (NON-AIR) .....	52.00 ea
8819	63-67	Fresh Air Vent Grill Screws (6 pc) .....	2.50 set
5090	63-66	Fresh Air Vent Door w/Seal Lt or Rt .....	43.00 ea
5091	67	Fresh Air Vent Door w/Seal Lt or Rt .....	43.00 ea
1396	63-67	Fresh Air Vent Door Seal Kit w/Rivets .....	10.00 set
2203	65-66	Vent Cable Knob .....	10.00 ea
5926	67	Vent Pull Knob on Radio Side Panel .....	18.00 ea
4556	63-67	Nut - Heater Cables on Center Dash and 67 Air Vent Cable .....	5.00 ea
2640	63-66	Vent Cable/Hood Release Cable Clip underdash .....	5.50 ea



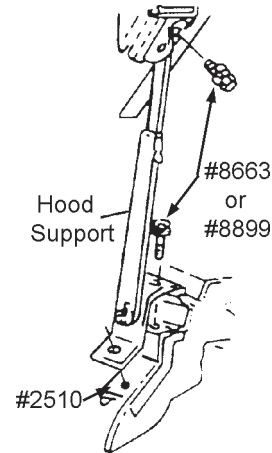
### Air Conditioning

1344	63-67	A/C Underdash Hose Set (3 pcs) .....	16.00 set
1215	63-67	A/C Underdash Hose Clamp .....	12.00 pr
1285	63-65	A/C Htr.Hose Pipe By Compressor S.S. ....	14.00 ea
2964	66-67	427 A/C Heater Hose Retainer on Compressor .....	32.00 ea
1286	66-67	427 A/C Compressor Support Rod .....	42.00 ea
9543	66-67	427 A/C Compressor Rear Mount Bracket on Intake Manifold .....	57.50 ea
9555	66-67	427 Compressor Front Bracket .....	95.00 ea
9551	63-67	A/C Receiver Dryer - Replacement .....	54.00 ea
9552	63-65	A/C Evaporator .....	299.00 ea ND
9553	66	A/C Evaporator .....	299.00 ea ND
9554	67	A/C Evaporator .....	299.00 ea ND

## HOOD

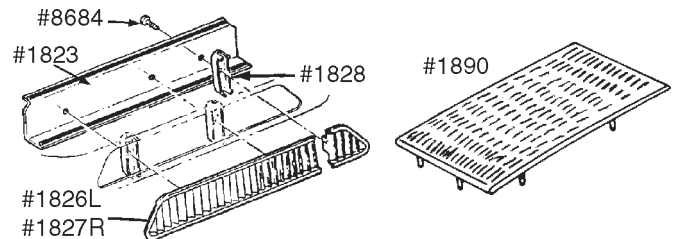


2640	63-66	Hood Release Cable/Vent Cable Clip (holds 2 cables together underdash) .....	5.50 ea
2642	63-67	Hood Release Cable Brass Stop w/Screw (2 req.) .....	2.50 ea
2202	63-67	Hood Cable Guide - attaches hood release wire to lock lever, Left Side (1 req) .....	4.50 ea



6792	63-67	Hood Support w/GM Part Number and Atwood Logo .....	42.00 ea
8899	63-67	Hood Support Bolts - Repl. (4) .....	2.00 set
8663	63-67	Hood Support Bolt Set - Correct headmark .....	5.50 set
2510	63-67	Hood Support Reinforcement w/Rivet .....	11.00 ea
<b>8563</b>	<b>63-67</b>	<b>Hood Support Pin (prevents hood from closing in wind) .....</b>	<b>6.00 ea</b>
5999	63-67	Aluminum Body Rivets - Large Flat Head 5/8' long (25 pcs) .....	4.00 set

9446	63-64	Female Hood Latch Assy. w/Bolt - Lt .....	42.00 ea
9447	63-64	Female Hood Latch Assy. w/Bolt - Rt .....	42.00 ea
2565	65-67	Female Hood Latch Assy. w/Bolt - Lt .....	42.00 ea
2566	65-67	Female Hood Latch Assy. w/Bolt - Rt .....	42.00 ea
6793	63-67	Female Hood Latch Nut Plate w/Rivets ...	13.50 ea
2678	63-67	Female Hood Lock Tension Spring .....	4.00 ea
8897	63-64	Hood Latch Mtg Bolts on Firewall (6) .....	5.00 set
8898	65-67	Hood Latch Mtg Bolts on Firewall (6) .....	5.00 set
2641	63-67	Hood Rubber Bumpers .....	4.00 pr
2637	63-67	Hood Bumper Adj. Bolt, Washer, Nut .....	3.00 pr
9487	63	Hood Alignment Wedges 2 Plas & 2 Metal .....	75.50 set
9481	63	Hood Alignment Wedges - 2 Plastic .....	24.75 pr
9482	63	Hood Alignment Wedges - 2 Metal .....	64.95 pr
8675	63	Hood Alignment Block Bolts and Washers with "EL" Headmark .....	17.00 set
2517	63-67	Male Hood Lock Bolt Assy .....	22.00 ea
2506	63-67	Male Hood Pin Spring .....	6.00 ea
2587	63-67	Hood Hinge - Lt .....	25.00 ea
2588	63-67	Hood Hinge - Rt .....	25.00 ea
3365	63-67	Hood Hinge/Rad Support Rein - Lt .....	16.00 ea
3373	63-67	Hood Hinge/Rad Support Rein - Rt .....	16.00 ea
2591	63-67	Hood Hinge Shim 1/16" (3 pcs) .....	5.00 set
8895	63-67	Hood Hinge Bolts (10 pcs) Correct .....	8.50 set
2509	63-66	Hood Release Cable w/Correct Knob and Bracket - No Air .....	52.00 ea
2584	63-66	Hood Release Handle Only .....	23.00 ea
2677	63-66	Hood Release Cable w/Correct Knob Less Bracket - w/Air .....	49.50 ea
9457	63-66	Bracket for Hood Release Cable w/Air .....	32.00 ea
2512	67	Hood Release Cable Assy. w/Bracket .....	35.95 ea
6794	63-66	Hood Release Cable Bracket to Dash Screws (2 pc) .....	1.75 pr
6795	67	Hood Release Cable Bracket to Dash Screws (2 pc) .....	1.75 pr
2514	63-67	Hood Rel. Cable Firewall Grommet .....	1.00 ea
2513	63-67	Hood Release Cable Latch to Latch .....	7.50 ea
3489	63-67	Hood Release Cable Retaining Clip .....	1.50 ea



## Hood Grills, Numbers, Etc

1890	63	Hood Grills .....	469.00 pr
1826	65-66	Big Block Hood Grill - Lt .....	34.00 ea
1827	65-66	Big Block Hood Grill - Rt .....	34.00 ea
1828	65-66	Big Blk.Hood Grill Retainers (6 pcs) .....	13.50 set
8684	65-66	Big Block Hood Grill Retainer Screws - correct .....	3.75 set
1823	65-66	Hood Grill Rain Shields w/396-427 .....	20.00 pr
1829	67	Big Block Hood Scoop Front Insert .....	74.95 ea
8810	67	Big Block Hood Scoop Insert Screws and Nuts .....	3.00 set
9109	67	427 Hood Number Set (6 pcs) Import .....	34.95 set
10210	67	427 Hood Number Set (3 pcs) Show Quality - 2 sets required .....	41.50 set
1832	67	Hood Number "4" .....	8.00 ea
1830	67	Hood Number "2" .....	8.00 ea
1831	67	Hood Number "7" .....	8.00 ea

## HOOD ASSEMBLIES See Fiberglass Section

## IGNITION SHIELDING

### Small Block

3237	63E	Ignition Shield Set w/Brackets .....	409.00 set LD
3238	63L	Ignition Shield Set w/Brackets .....	439.00 set LD
3239	64-65E	Ignition Shield Set w/Brackets .....	439.00 set LD
8025	65L	Ignition Shield Set w/Brackets .....	439.00 set LD
3234	66-67	Ignition Shield Set w/Brackets .....	439.00 set LD

**Shielding Sets include everything needed except items listed in bold print with an (\*)**

<b>10408</b>	<b>63-67</b>	<b>*Heat Shield and Wire Clip Set - includes Inner Plug Shields (4), "V" Wire Shields (2) Wire Clip on Oil Pan (2), Wire Clip on Block (2) .....</b>	<b>129.00 set</b>
--------------	--------------	--	-------------------

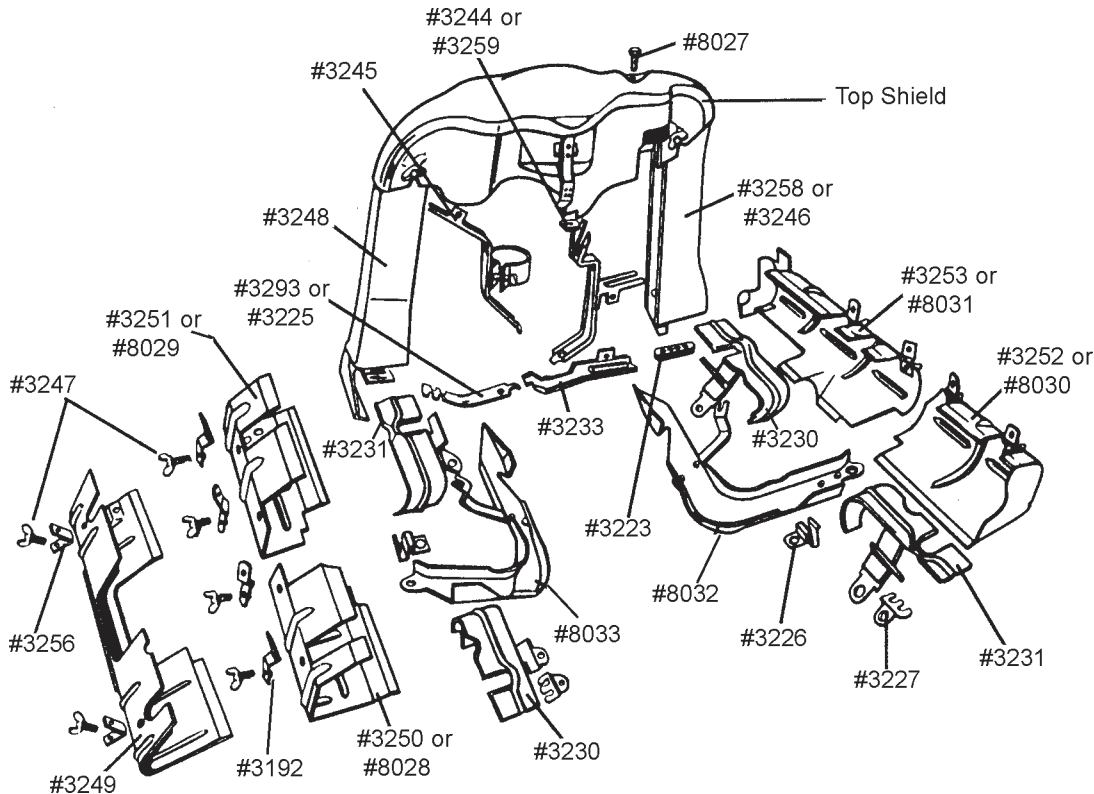
To use "V" Wire Heat Shields you must use correct non-locking motor mounts

3240	63E	Top Ignition Shield .....	169.00 ea
3241	63L	Top Ignition Shield .....	169.00 ea
3242	64-65E	Top Ignition Shield .....	169.00 ea
8026	65L	Top Ignition Shield .....	169.00 ea
3243	66-67	Top Ignition Shield .....	169.00 ea
3244	63-66	Upper Shield Bracket - LH .....	18.50 ea
3259	66-67	Upper Shield Bracket - LH (66L - Auto, 67 All) .....	18.50 ea
3245	63-67	Upper Shield Bracket - Coil - RH (correct)	22.00 ea
10534	63-67	Coil Bracket Screw w/Washer .....	1.25 ea
3258	63	Vertical Shield w/Indent (LH) .....	45.50 ea
3246	64-67	Vertical Shield - LH .....	39.95 ea
3248	63-67	Vertical Shield - RH .....	47.00 ea ND

3247	63-67	Wing Nut - Chrome (set of 15) .....	12.00 set
8027	63-67	Bolt, Top Ignition Shield (correct head) .....	1.75 ea
3223	63-67	Grommet - with 4-Holes (set of 4) .....	8.00 set
3233	63-67	Lower Bracket - Vertical Rear - Lt .....	11.00 ea
3225	63-64	Wire Clip Lower Rear - Rt .....	16.75 ea
3281	65-67	Wire Clip Lower Rear - Rt .....	12.00 ea
3249	63	Lower Spark Plug Shield - Rt (1-Piece) .....	41.00 ea
3250	64-65	Lower Spark Plug Shield - Front RH .....	29.00 ea
3251	64-65	Lower Spark Plug Shield - Rear RH .....	29.00 ea
3252	63-65	Lower Spark Plug Shield - Front LH .....	32.00 ea
3253	63-65	Lower Spark Plug Shield - Rear LH .....	32.00 ea
8028	66-67	Lower Spark Plug Shield - Front RH .....	29.00 ea
8029	66-67	Lower Spark Plug Shield - Rear RH .....	29.00 ea
8030	66-67	Lower Spark Plug Shield - Front LH .....	32.00 ea
8031	66-67	Lower Spark Plug Shield - Rear LH .....	32.00 ea
<b>3230</b>	<b>63-67</b>	<b>Plug Shields - Inner (1 - Rt Frt or Lt Rear and 1 - Lt Frt or Rt Rear) Correct</b>	
		<b>2 pair required per car .....</b>	<b>23.00 pr</b>
<b>10078</b>	<b>63-67</b>	<b>Plug Shields - Inner (1 - Rt Frt or Lt Rear and 1 - Lt Front or Rt Rear) Excellent</b>	
		<b>Repl - 2 pair required per car .....</b>	<b>15.00 pr</b>
<b>8032</b>	<b>63-67</b>	<b>*Chrome "V" Wire Shield on Block - Lt</b>	<b>53.00 ea</b>
<b>8033</b>	<b>63-67</b>	<b>*Chrome "V" Wire Shield on Block - Rt</b>	<b>53.00 ea</b>
<b>3226</b>	<b>63-67</b>	<b>*Wire Clip on Oil Pan Bolt .....</b>	<b>3.50 ea</b>
<b>3227</b>	<b>63-67</b>	<b>*Wire Clip on Block Front (2 req) .....</b>	<b>2.00 ea</b>
3256	63	"L" Bracket Set - Plug Shields (Correct) .....	16.80 set
3192	64-67	"L" Bracket Set - Plug Shields (Correct) .....	25.00 set
3295	63-67	Top Shield Rear Clip - Carb .....	17.00 ea
8034	63-65	Top Shield Rear Ground Clip - FI .....	22.00 ea
3232	63-67	Clip - Right Vertical Ignition Shield. ....	1.50 ea

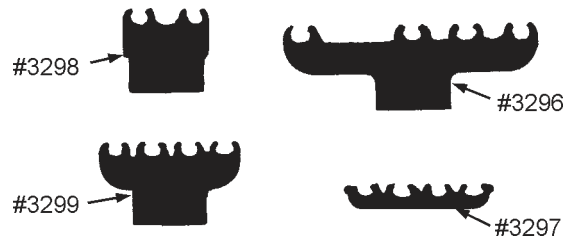
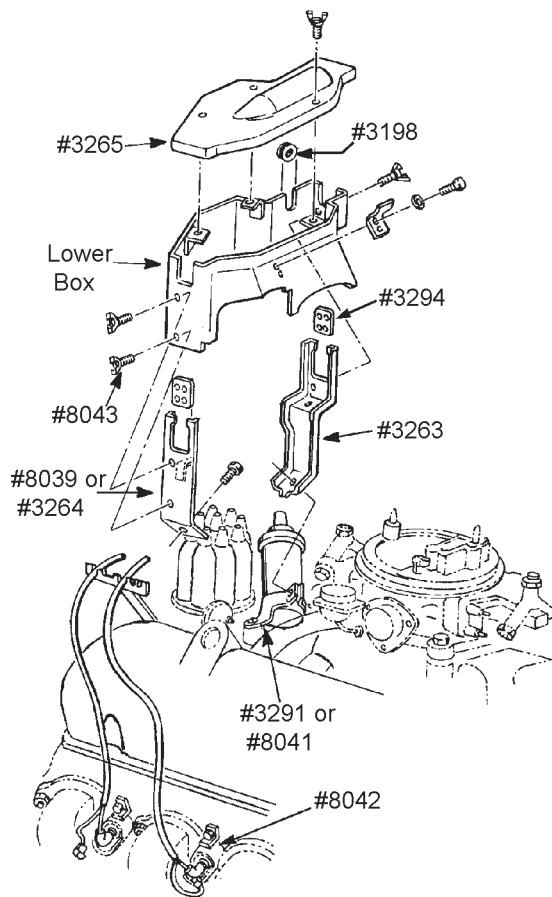
(See ENGINE Section for Spark Plug Wires)

**BIG BLOCK SHIELDING - NEXT PAGE**





## IGNITION SHIELDING (continued)

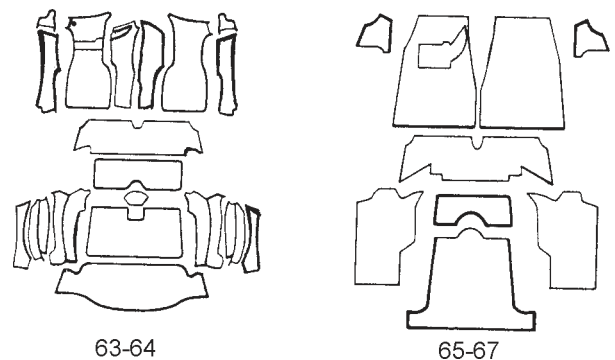


3296	65-66	Plastic Wire Support 3 + 1 Wire w/Stand on Valve Cover..(1 req) .....	2.50 ea
3297	65-67	Plastic Wire Support 4 Wire, No Stand LH...(1 req) .....	2.50 ea
3298	65-67	Plastic Wire Support 2 Wire w/Stand on Valve Cover..(2 req) .....	2.50 ea
3299	67	Plastic Wire Support 4 Wire w/Stand on Valve Cover..(2 req) .....	2.50 ea

(See ENGINE Section for Spark Plug Wires)

## INTERIOR

Interior COLOR PHOTOS - See Page 4



### Big Block

8035	65	*396 Top Ignition Shield Set .....	155.00 set LD
8036	66	*427 Top Ignition Shield Set .....	155.00 set LD
8037	67	*427 1X4 Top Ignition Shield Set .....	155.00 set LD
8038	67	*427 3X2 Top Ignition Shield Set .....	155.00 set LD

**\*Ignition Shielding Sets include Top Shield and Box, Upper Shield Brackets, Wing Bolts, Coil Wire Grommet, Grounding Nuts, Plug Wire Grommets and Plastic Wire Supports.**

3265	65-67	396/427 Ignition Shield Top Cover .....	69.00 ea
3266	65	396 Ignition Shield Lower Box w/Clip .....	79.50 ea
3260	66	427 Ignition Shield Lower Box w/Clip .....	79.50 ea
3261	67	427 1X4 Ignition Shield Lower Box w/Clip ..	79.50 ea
3262	67	427 3X2 Ignition Shield Lower Box w/Clip ..	79.50 ea
3263	65-67	Upper Shield Bracket - LH .....	17.00 ea
8039	65	Upper Shield Bracket - RH .....	17.00 ea
3264	66-67	Upper Shield Bracket - RH .....	17.00 ea
3294	65-67	Grommet - Square 4-Hole, 2 req - Correct 8 mm Holes .....	5.50 ea
3198	65-67	Grommet - Coil Wire Lead .....	1.50 ea
3291	65-67	396, 427 Coil Bracket, exc 3X2 .....	17.00 ea
8041	67	3X2 Coil Bracket .....	21.00 ea
8043	63-67	Wing Bolt for Ign. Shielding, 6 req. ....	1.00 ea
8658	65-67	Ignition Shielding Grounding Nuts .....	1.25 pr
8042	65-66	396/427 Spark Plug Barrel Shields (8 pc) ..	75.00 set
8044	65-67	Ignition Coil Screw 396, 427 .....	1.25 ea

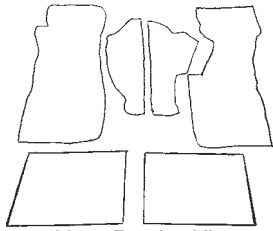
### Carpet Sets - Full Car

(Specify Year, Color, Coupe or Conv.)

5030__	63-64	Carpet Set - 80/20 Loop, with Original Foam Backing .....	319.00 set LD
5050__	65-67	Carpet Set - 80/20 Loop, Original Press Molded .....	224.00 set LD
10138	63-64	Sound Deadener - Coupe .....	119.00 set
10522	63-64	Sound Deadener - Conv .....	119.00 set
5060	65-67	Coupe Carpet Underlayment & Jute Padding - Correct Jute Backing with Correct Rubber Overlay Attached - Full Car Set .....	199.00 set LD
10557	65-67	Conv Carpet Underlayment - see above for description - Full Car Set .....	199.00 set LD
5095	65-67	Jute Padding Set - Pre-cut (Replacement) ..	39.95 set
5049	63-67	Dimmer Switch Grommet - Correct Rubber .....	8.50 ea
3604	ALL	Carpet & Trim Glue - Brush On - Quart .....	14.95 Qt ND
3697	ALL	Trim Adhesive Spray - 3M .....	14.95 ea

See Next Page for FLOOR MATS & HEAT BARRIER KITS

## Interior COLOR PHOTOS - See Page 4



Heat Barrier Kit



Floor Mats

### Heat Barrier Kits

These kits effectively reduce interior temperature up to 50% without sacrificing carpet fit. Made from technologically advanced ceramic cloth, which is precut & fitted with reinforced foil backing, measuring only 1/8" total thickness.

- 4845 63-67 Heat Barrier Kit - Front Only (6 pcs) ..... 99.95 set LD
- 4846 63-67 Heat Barrier Kit - Front & Rear (7 pcs) .. 139.00 set LD

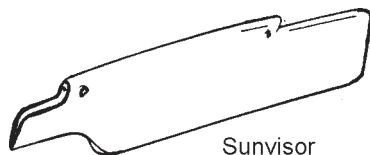
### Floor Mats

- 5610 63-67 Black Rubber Mats ..... 35.00 pr
- 5611 63-67 Clear Rubber Mats ..... 44.95 pr
- 5612\_\_ 63-67 80/20 Loop Carpet Mats w/Corvette Logo  
(Specify Year & Color) ..... 47.00 pr

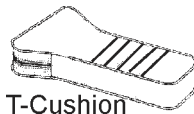
### Center Arm Rest and T-Cushion

**CORRECT GRAINS and COLORS**  
Specify Year and Color When Ordering

- 4978\_\_ 63-66 \*Center Cushion Assy. - Vinyl ..... 75.00 ea
- 4979\_\_ 63-66 \*Center Cushion Assy. - Leather ..... 89.00 ea
- \*Note: assemblies include metal support and foam cushion with cover installed - ready to bolt in**
- 5309\_\_ 63-66 Center Cushion Cover Only - Vinyl ..... 25.00 ea
- 4977\_\_ 63-66 Center Cushion Cover Only - Leather ..... 34.00 ea
- 5038\_\_ 67 Arm Rest T-Cushion - Vinyl ..... 40.00 ea
- 5039\_\_ 67 Arm Rest T-Cushion - Leather ..... 40.00 ea



Sunvisor



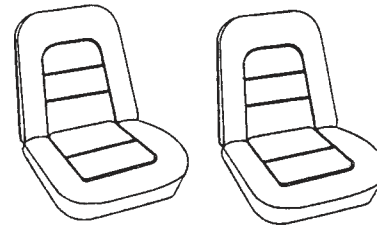
T-Cushion

### Sunvisors - correct padding, grain and texture

- 5321\_\_ 63-67 Sunvisor, Coupe (Specify Year & Color ... 65.00 pr
- 5322\_\_ 63-67 Sunvisor, Conv (Specify Year & Color) ... 65.00 pr
- 5325 63-67 Sunvisor Hardware Kit (includes rods  
pivot screws and nuts) ..... 15.95 kit
- 6362 63-67 **Special Screwdriver Tip for Sunvisor Nuts** 5.00 ea
- 8862 63-67 Sunvisor Support Rod to Windshield Frame  
Screws (4 pcs) ..... 3.75 set

### Interior Dye

- 4940\_\_ 63-67 Vinyl Dye - Aerosol (specify year & color) 16.00 ea
- 4941\_\_ 63-67 Vinyl Dye - Quart (specify year & color) .. 39.00 ea ND



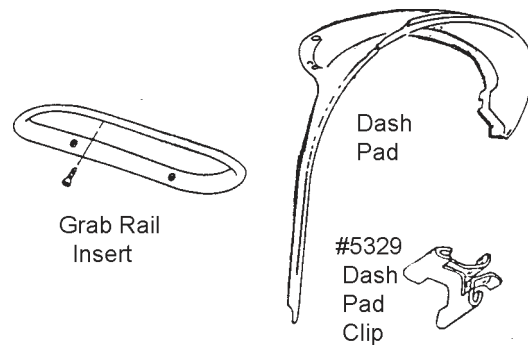
Seat Covers

### Seat Covers & Related - available in all original colors

They are made to fit each model year  
(Specify Year & Color)

- |         |       |   |              |
|---------|-------|---|--------------|
| 5140__  | 63-64 | Vinyl Seat Covers .....   | 219.00 set   |
| 5220__  | 63-64 | Leather Seat Covers -All Leather .....                              | 439.00 set   |
| 5150__  | 65-67 | Vinyl Seat Covers .....   | 229.00 set   |
| 5230__  | 65-67 | Leather Seat Covers - All Leather .....                             | 439.00 set   |
| 9402__  | 63-64 | Seat Cover Installation Kit .....                                   | 32.00 kit    |
| 9403__  | 65    | Seat Cover Installation Kit .....                                   | 32.00 kit    |
| 9404__  | 66    | Seat Cover Installation Kit .....                                   | 32.00 kit    |
| 9405__  | 67    | Seat Cover Installation Kit .....                                   | 32.00 kit    |
| 5212__  | All   | Hog Ring Pliers .....   | 7.95 ea      |
| 5213__  | All   | Seat Cover Installation Hook Tool .....                             | 10.75 ea     |
| 9423__  | All   | Hog Rings Kit (100 pcs) .....                                       | 5.00 set     |
| 5218__  | 63-67 | Seat Foam - Set of 4 ....(Specify Year) .                           | 159.00 set   |
| 5412__  | 63-67 | Seat Cover Mounting "S" Clips .....                                 | 10.75 ea     |
| 6031__  | 65-67 | Seat Back with Trim and Vents Installed ...                         | 59.95 ea     |
| 5401__  | 65-67 | Seat Backs .....  | 39.95 ea     |
| 2943__  | 65-67 | Seat Back Chrome Trim - polished S.S. ...                           | 17.50 ea     |
| 2887__  | 65-67 | Seat Back Chrome Trim - chrome plated<br>steel) original type ..... | 31.00 ea     |
| 2931__  | 63-64 | Seat Side Chrome Trim -no notch (4 pcs)                             | 165.00 set   |
| 2917__  | 65-66 | Seat Side Chrome Trim (4 pcs) .....                                 | 165.00 set   |
| 2918__  | 67    | Seat Side Chrome Trim - (4 pcs) .....                               | 165.00 set   |
| 10315__ | 63-66 | Seat Side Chrome Trim (4) Imported .....                            | 129.00 set   |
| 10316__ | 67    | Seat Side Chrome Trim (4) Imported .....                            | 129.00 set   |
| 2946__  | 63-64 | Seat Back Vents (set of 4) .....                                    | 13.50 set ND |
| 2947__  | 65-67 | Seat Back Vents .....   | 6.00 pr      |

### Also see SEAT & FASTENER Sections



Grab Rail  
Insert

Dash  
Pad

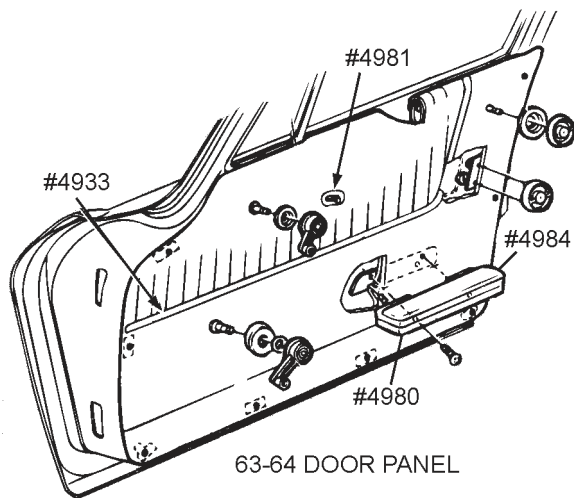
#5329  
Dash  
Pad  
Clip

### Dash Pads

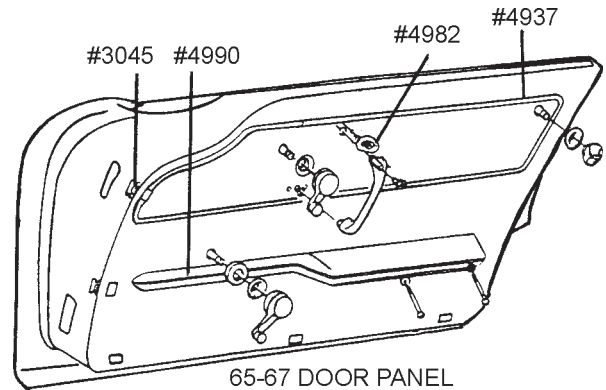
Correct grain, original colors and in house testing assures a great fit  
**\*Always Specify Year & Color**

- 5304\_\_ 63-67 Dash Pad Assy - Lt .....
 269.00 ea |- 5402\_\_ 63-67 Dash Pad Assy - Rt. (includes Insert -  
specify if insert is 4 or 6 hole) .....
 269.00 ea |- 5403\_\_ 63-64 Center Dash Cover Skin (Moulded) .....
 100.00 ea |- 5329 63-67 Dash Pad Retaining Clip .....
 3.00 ea |- 8476 63-67 Dash Pad Clip Set (28 pcs) .....** **58.50 set** |- 5370\_\_ 63-64E Grab Rail Insert 4-Hole .....
 11.95 ea |- 5374\_\_ 64L-66 Grab Rail Insert 6-Hole .....
 11.95 ea |

## INTERIOR (continued)



63-64 DOOR PANEL



65-67 DOOR PANEL

**COLOR PHOTOS - See Page 4**

### Door Panels

\*Always Specify Year, Color and Coupe or Convertible

4931__	63-64	Door Panel w/o Upper Supports .....	179.00 pr
4932__	63-64	Door Panel w/Upper Metal Supports & Felts Installed .....	309.00 pr LD
4934__	65-67	Door Panel w/Upper Metal Supports & Felts Installed .....	419.00 pr LD
4916__	<b>63-64</b>	<b>Deluxe Door Panels</b> - complete with pre-installed reflectors, lock knobs, door opening bezels, "hockey stick" trim, felts and upper metal supports .....	649.00 pr
4936__	<b>65-67</b>	<b>Deluxe Door Panels</b> - complete with pre-installed upper door trim, arm rest trim, door opening bezels, felts and upper metal supports) .....	689.00 pr
4715	63-67	Coupe Inner Window Felt & SS Trim .....	46.95 pr
4717	63-66	Conv Inner Window Felt & SS Trim .....	46.95 pr
5214	67	Conv Inner Window Felt & SS Trim .....	46.95 pr
4933	63-64	Door Panel Trim "Hockey Sticks" .....	259.00 pr
2968	63-64	Door Lock Knob & Reflector on Door Panel (4pc set) .....	74.95 set
4937	65-67	Upper Racetrack Door Panel Trim .....	179.00 set
4990	65-67	Arm Rest Door Panel Trim .....	30.00 ea
4981	63-64	Door Opening Bezel on Door Panel .....	9.00 ea
4982	65-67	Door Opening Bezel on Door Panel .....	9.00 ea
8858	63-64	Door Panel Screws with Washers (20) .....	6.00 set
5365	63-64	Door Panel Flush Washer Set -CORRECT (8 pcs) .....	3.00 set
10438	65-67	Door Panel Clips (10 pcs) .....	16.50 set
3045	65-67	Door Panel Clips .....	2.00 ea
8859	65-67	Door Panel Clip Screws (10) .....	3.75 set
2999	63-66	Door Vapor Barrier - Paper Type .....	16.00 pr
2995	67	Door Panel Vapor Barrier - Plastic Type ...	14.00 pr
4985__	63-64	Arm Rest Unit w/Cover Installed .....	50.00 ea
4980	63-64	Arm Rest Chrome Base Only .....	20.00 ea
4984__	63-64	Arm Rest Cover Only .....	9.50 pr
8271	63	Black Door Opening Knob .....	9.50 pr
8360	64-67	Door Opening Knob, Chrome - Metal .....	13.50 ea
2933	66-67	Door Pull Handle, Chrome - Lt .....	24.95 ea
2934	66-67	Door Pull Handle, Chrome - Rt .....	24.95 ea
2859	65	Door Pulls - <b>Black</b> - (Repro) .....	19.95 pr
<b>6739__</b>	<b>65</b>	<b>Door Pulls - ALL Other Colors - (Repro) Specify COLOR .....</b>	<b>19.95 pr</b>

10392	63-64	Door Panel Reflector Correct 1/8" Winged Speed Nut Fasteners (4 pcs) .....	6.00 set
2969	63-64	Door Lock Knob .....	29.00 ea
2948	65-66	Door Lock Knob .....	16.00 ea
2949	67	Door Lock Knob .....	24.95 ea
2965	63-64	Lock Knob Backing Spacer - Plastic .....	2.00 ea
2966	65-67	Lock Knob Backing Spacer - Plastic .....	2.00 ea
2956	63-64	Window Crank Handle - <b>nice repro</b> .....	14.95 ea
6742	63-64	Window Crank Handle - <b>Exact Repro</b> .....	21.00 ea
2958	65-66	Window Crank Handle .....	15.95 ea
5029	67	Window Crank Handle - Clear Knob .....	9.00 ea
2960	67	Window Crank Handle - Black Knob .....	9.00 ea
<b>6738__</b>	<b>67</b>	<b>Window/Vent Crank Handle KNOBS Only (Specify White, Red, Tan or Med Blue) CORRECT .....</b>	<b>9.95 pr</b>
9582	63-64	Window Crank Stainless Steel Spacer on Door Panel .....	69.95 pr
2905	65-67	Window Crank Stainless Steel Spacer on Door Panel .....	69.95 pr
2965	63-67	Window Handle Backing Spacer - Plastic .....	2.00 ea
2983	63-67	Window Crank & Lock Knob Retainer Clip .....	.75 ea
8233	63-67	Window Crank Handle Foam Seal - Behind Door Panel .....	3.50 pr
2978	63-64	Vent Window Crank Handle - <b>nice repro</b> ..	14.95 ea
6743	63-64	Vent Window Crank Handle - <b>exact repro</b> ..	20.00 ea
2979	65-66	Vent Window Crank Handle .....	17.95 ea
8238	63-67	Vent Window Handle Foam Seal .....	3.50 pr

### Headliners

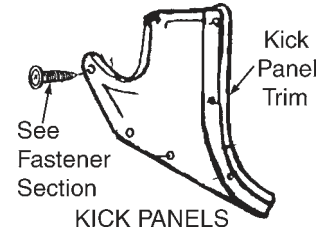
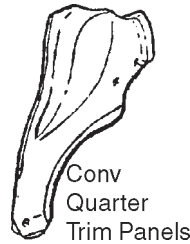
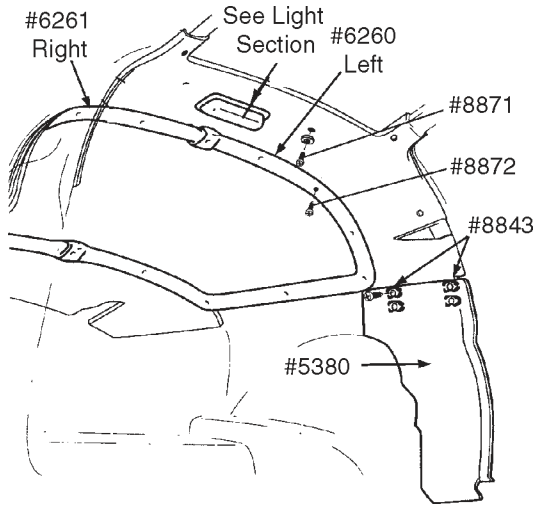
Specify Year and Color - all original colors available

5435__	63-67	<b>Coupe</b> Headliner Unit - Vinyl covered unit with a plastic back) .....	209.00 ea
5418__	63-67	<b>Hardtop</b> Headliner Unit (Vinyl covered unit with a plastic back) .....	209.00 ea
5406	63-67	Clip for Coupe Interior Headliner Trim Molding Above Door .....	9.00 ea

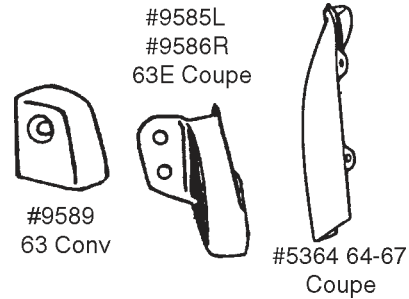
### Deck Lid Strips & Coupe Rear Window Vinyl

5031__	63-64	<b>Coupe Rear Window Vinyl</b> - covers upper portion of rear deck at the base of coupe rear window .....	21.00 set
5032__	65-67	<b>Coupe Rear Window Vinyl</b> .....	21.00 set
5033__	63	<b>Coupe Rear Window Vinyl</b> (3 pcs) covers split window bar and areas between wheel wells and window edge .....	21.00 set
5306__	63-64	Conv Deck Lid Vinyl Strip w/Mounting Kit (specify year & color) .....	47.00 ea
5307__	65-67	Conv Deck Lid Vinyl Strip w/Mounting Kit (specify year & color) .....	47.00 ea

## INTERIOR TRIM (continued)

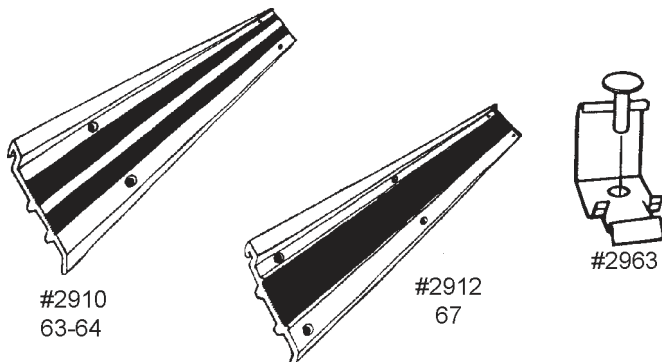


KICK PANELS



## Rear Window & Quarter Trim Moldings

6260	64-67	Coupe Inside Rear Window Molding - Lt ...	49.95 ea
6261	64-67	Coupe Inside Rear Window Molding - Rt ...	49.95 ea
8872	64-67	Coupe Inside Rear Window Molding Screws (18) .....	3.00 set
5380	63-67	Coupe Quarter Panels (Specify Year, Color and w/ or w/o Power Vent) .....	34.00 pr
8843	63-67	Coupe Quarter Panel to Dome Panel Clips (4) .....	16.00 set
6740	63-67	Conv. Quarter Trim Panels - <b>Fiberglass</b> as original .....	179.00 pr
5277	63-67	Conv Quarter Trim Panels - <b>Plastic</b> <b>Replacement - IN COLORS</b> .....	69.00 pr
9591	63-67	Conv. Quarter Trim Panel Bumpers (6 pcs) ..	4.50 set
8879	63-67	Coupe Dog Leg Quarter Panel Behind Seat Screws (6) .....	3.75 set
8880	63-67	Conv Quarter Trim Panel Behind Seat Screws (6) .....	3.00 set
8871	63-67	Coupe Halo Panel Screws w/Washers (12) ..	4.50 set

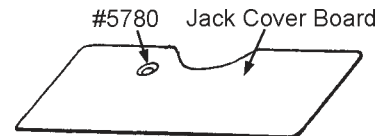


## Sill Plates

2910	63-64	Door Sill Plate - (4-Hole) .....	17.00 ea
2911	65-66	Door Sill Plate - (6-Hole) .....	17.00 ea
2912	67	Door Sill Plate .....	22.50 ea
8865	63-64	Door Sill Plate Screws .....	4.00 set
8866	65-67	Door Sill Plate Screws .....	4.50 set
2961	63-64	Wire Cover Floor Plates .....	24.00 pr
2962	65-67	Wire Cover Floor Plates .....	24.00 pr
2963	63-67	Clip - Wire Cover Floor Plate .....	4.50 ea

## Kick Panel & Pinch Welt

5396	63-64	Kick Panel Metal -Trim .....	20.00 pr
5397	65-67	Kick Panel Metal -Trim .....	20.00 pr
5645	63-67	Kick Panel w/Windlace (correct grain) (Specify Year & Color) .....	28.00 pr
4596	63-67	Kick Panel Vent Grill - Lt .....	52.00 ea
4597	63-67	Kick Panel Vent Grill - Rt (NON AIR) .....	52.00 ea
<b>Kick Panel Screws - See Fastener Section</b>			
5400	63	Pinch Welt - Black Only .....	12.00 pr
9589	63	Conv Pinch Welt Caps w/special screws ..	79.95 pr
5362	63-67	Conv Pinch Welt Cap Screw & Barrel Nut ..	2.00 ea
9585	63E	Coupe Pinch Welt Cap (2-Hole) - Lt. ....	27.00 ea
9586	63E	Coupe Pinch Welt Cap (2-Hole) - Rt .....	27.00 ea
9587	63L	Coupe Pinch Welt Cap (1-Hole) - Lt .....	33.00 ea
9588	63L	Coupe Pinch Welt Cap (1-Hole) - Rt .....	33.00 ea
5364	64-67	Coupe Pinch Welt Cap - N.O.S.....	INQUIRE
5352	63-67	Coupe Pinch Welt Cap Screws (4 pc) .....	2.00 set

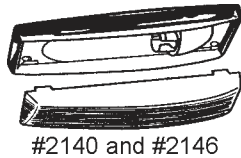


## Jack Boards, Floor Pan Plugs and Inside Molding Clips

5406	64-67	Coupe Headliner Molding Clip Above Door ..	9.00 ea
9590	63-67	Lower Inside Windshield Molding Clip (4 pcs) .....	19.00 set
9847	63-67	Interior Windshield Molding End Retainers ..	9.00 pr
6035	63	*Jack Cover Board (36" x 15 3/4") .....	21.95 ea
10465	64	*Jack Cover Board (36" x 16") .....	21.95 ea
10466	65-67	*Jack Cover Board ( 35 1/2" x 16") .....	21.95 ea
<b>* Jack Boards have an additional shipping fee due to their size</b>			
5780	63-67	Jack Cover Finger Hole Bezel .....	8.00 ea
1246	63-67	Floor Pan Plug Set (8 pcs) .....	5.50 set

Also See **CONSOLE, DASH, DOOR, MIRROR, RADIO, FASTENER, LAMPS and SEAT** Sections.

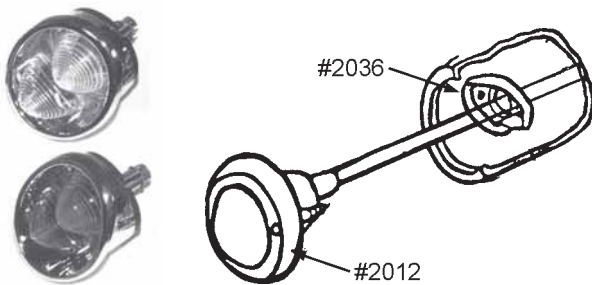
## LIGHTS, LAMPS & RELATED



#2140 and #2146

### Courtesy & Dome Light

2402	63-67	Interior Dome Light Assembly - includes housing, lens and bulb retainer .....	42.00 ea
2140	63-67	Interior Dome Light Housing .....	34.00 ea
2146	63-67	Coupe Dome Light Lens .....	5.50 ea
2139	63-67	Courtesy Light Bracket w/Screw (Underdash and Rear of 63-67 Conv) .....	8.00 ea



#2036

#2012

### Parking Lamp

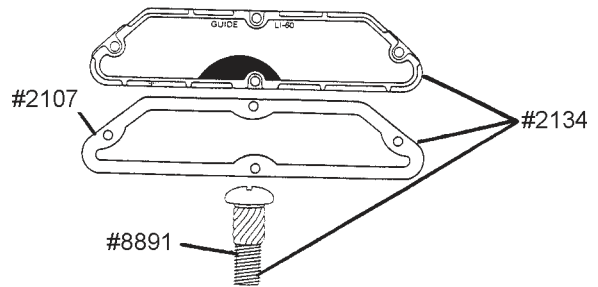
2012	63-67	Parking Lamp Assy. - Lt or Rt .....	69.95 ea
2026	63-67	Parking Lamp Lens .....	8.50 ea
2036	63-67	Parking Lamp Support (Retainer) .....	8.50 ea
2033	63-67	Parking Lamp Lens Gasket .....	3.50 pr
8886	63-67	Parking Lamp Lens Screws (4) .....	2.00 set
10187	63-66	Parking Lamp Extensions .....	44.00 pr
10188	67	Parking Lamp Extensions .....	44.00 pr

### Tail or Stop Lamps

2052	63-67	*Set of 4 Tail Lamp Assemblies w/Gaskets (exc. Back-Up).....Special Deal .....	249.00 set LD
2060	63-66	*Set of 4 Tail Lamp Assemblies w/Gaskets (with Back-Up) ....Special Deal .....	249.00 set LD
* #2052 and #2060 are GM Restoration Parts			
8086	63-67	Tail Lamp Assy w/gaskets Outer - Lt .....	69.95 ea
8087	63-67	Tail Lamp Assy w/gaskets Outer - Rt .....	69.95 ea
8088	63-67	Tail Lamp Assy w/gaskets Inner - Lt .....	69.95 ea
8089	63-67	Tail Lamp Assy w/gaskets Inner - Rt .....	69.95 ea
2072	63-67	Tail Lamp Lens - Red .....	9.95 ea
2110	63-67	Tail Lamp & Back Up Lens Gaskets (4) .....	6.00 set
2086	63-67	Tail Lamp to Body Gasket (4 pcs) .....	6.00 set
8887	63-67	Tail Lamp Lens Screws (8) .....	4.00 set
8888	63-67	Tail Lamp Mounting Nut (8) .....	2.50 set
2076	63-67	Tail Lamp Lens Drain Wick (4 pcs) .....	2.75 set
3485	63-67	Tail Lamp Pigtail .....	11.00 ea
2079	63-67	Tail/Stop or Back-Up Lamp Accordion Boot .....	9.50 ea

### Back-Up Lamps

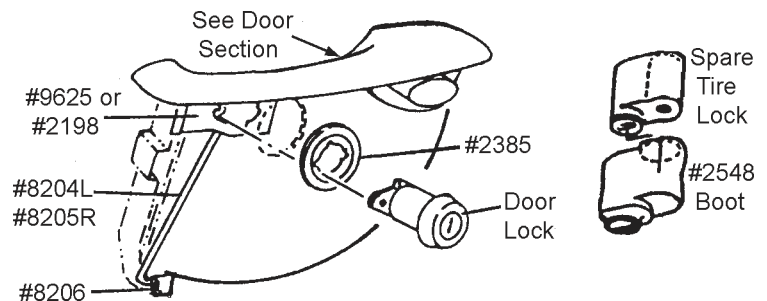
8090	63-66	Back-Up Lamp Assy w/gaskets - Lt .....	69.95 ea
8091	63-66	Back-Up Lamp Assy w/gaskets - Rt .....	69.95 ea
2100	63-66	Back-Up Lamp Lens - Clear .....	7.00 ea
2110	63-66	Back-Up Lens Gasket (4) .....	6.00 set
2101	67	Back-Up Lens - Lt and Rt .....	52.50 pr
8890	67	Back-Up Lens Screws (4) .....	3.00 set
2109	67	Back-Up Lens Gasket .....	4.00 pr
2112	67	Back-Up Lamp Mounting Nuts .....	1.00 set
6935	63-66	Back-up Lamp Connector w/Pigtail .....	11.00 ea
2079	63-67	Tail/Stop or Back-Up Lamp Accordion Boot .....	9.50 ea



### License Lamp

2116	63-67	License Lamp Assy - housing, lens, gasket, screws, bulb holder & wire .....	89.50 ea
8889	63-67	License Lamp Housing Screws (12 pcs) .....	3.50 set
2134	63-67	Correct License Lamp Lens w/Correct White Gasket & Screw .....	18.95 kit
2107	63-67	Lic Lamp Lens Gasket - CORRECT White ..	2.50 ea
8891	63-67	License Lamp Lens Screws (4) .....	3.00 set

## LOCKS & RELATED



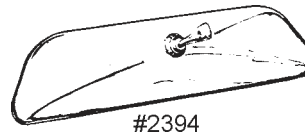
All Lock Sets are Keyed Alike and have Correct Faces w/Original Type Keys  
**SPECIAL KEYING SERVICE \$12.00**

10530	63	Lock Set ( 2 Doors, Ignition, Glove Box Cylinder w/keys) .....	89.00 set
2167	64	Lock Set (2 Doors, Ignition, Glove Box Cylinder w/keys) .....	89.00 set
2169	65	Lock Set (2 Doors, Ignition, Glove Box Cylinder w/keys) .....	95.00 set
2170	66	Lock Set (2 Doors, Ignition (66 Repl), Glove Box Cylinder w/keys) .....	95.00 set
2171	67	Lock Set (2 Doors, Ignition, Glove Box Cylinder w/keys) .....	99.00 set
9630	63-64	Ignition & Door Lock Set .....	65.00 set
9631	65	Ignition & Door Lock Set .....	70.00 set
9632	66	Ignition (66 Repl) & Door Lock Set .....	70.00 set
9633	67	Ignition & Door Lock Set .....	75.00 set
2185	63-64	Ignition Lock - CORRECT .....	32.00 ea
2172	65	Ignition Lock .....	30.00 ea
2173	66	Ignition Lock (66 Repl) .....	30.00 ea
2174	67	Ignition Lock .....	30.00 ea
2180	63-66	Door Locks .....	46.00 pr
2188	67	Door Locks .....	49.00 pr
8204	63-67	Door Lock Rod - from outside lock - Lt .....	5.50 ea
8205	63-67	Door Lock Rod - from outside lock - Rt .....	5.50 ea
8206	63-67	Lock Rod End Retainers .....	1.00 ea
2385	63-67	Escutcheon Ring - Door Lock Cylinder .....	8.00 ea
9625	63-66	Door Lock Retainer Clip - Correct .....	5.50 ea
2198	67	Door Lock Retainer Clip .....	2.50 ea
8231	63-66	Door Lock Cylinder Pawl .....	3.50 ea
8232	63-66	Door Lock Pawl Retainer .....	2.50 ea
8219	67	Door Lock Cylinder Pawl .....	2.50 ea
8272	67	Door Lock Pawl Retainer .....	1.50 ea

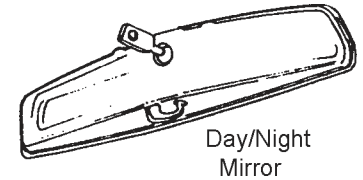
CONTINUED ON NEXT PAGE

## LOCKS & RELATED (continued)

2189	63	Glove Box Lock .....	30.00 ea
2195	63	Glove Box Lock Retainer .....	9.00 ea
10533	64	Glove Box Lock .....	30.00 ea
2190	65-66	Glove Box Lock .....	30.00 ea
10024	67	Glove Box Lock .....	30.00 ea
2196	64-67	Glove Box Lock Retainer .....	9.00 ea
8723	63-67	Glove Box Lock Retainer Screw w/Washer	1.25 ea
2547	63-67	Spare Tire Lock (w/69-82 Type Key) .....	47.00 ea
9636	63-66	Spare Tire Lock w/Correct Key .....	59.00 ea
10394	67	Spare Tire Lock w/Correct Key .....	64.00 ea
2548	63-67	Spare Tire Lock Rubber Boot .....	7.75 ea
9628	63-66	Original Type Key Blank - Hex .....	5.00 ea
9629	63-66	Original Type Key Blank - Round .....	5.00 ea
9639	67	Original Type Key Blank - Hex .....	6.50 ea
9640	67	Original Type Key Blank - Round .....	6.50 ea
9650	63-67	Spare Tire Lock ReKeying Service. Send your original key blank or code and we will get a spare tire lock rekeyed to match .....	59.00 ea ND



#2394

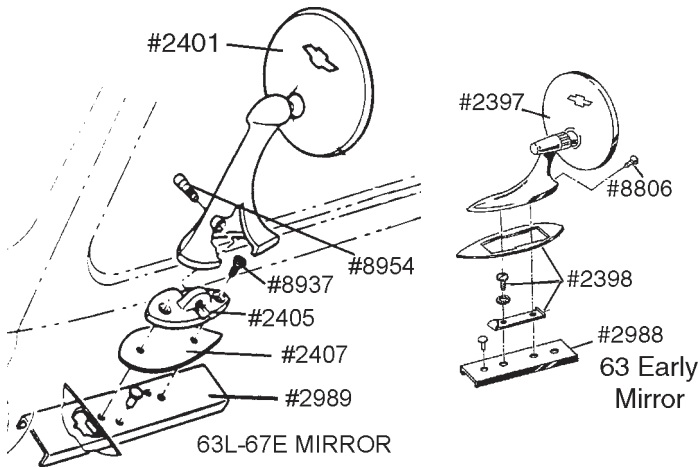


Day/Night Mirror

### Inside

2394	63-66	Inside Mirror - US Made .....	47.00 ea
3829	67	Inside Day/Night Mirror - 8" Correct Repro with "GUIDE" S.S. Back with Gray Rubber Trim .....	49.95 ea
8876	63-67	Inside Mirror Mounting Screw .....	2.00 ea
5491	63-66	Inside Rear View Mirror Support - can be used as a replacement for 1967 .....	44.95 ea
5492	67	Inside Rear View Mirror Support .....	44.95 ea
8877	63-67	Inside Mirror Support Screws (2) .....	2.00 pr
9706	63-67	Inside Mirror Stud Bushing .....	2.50 ea
9655	67	Coupe Inside Mirror Bracket Cover - BLACK .....	29.50 ea
9657__	67	Coupe Inside Mirror Bracket Cover - specify color (red, brt blue, saddle, green, teal blue) .....	31.00 ea

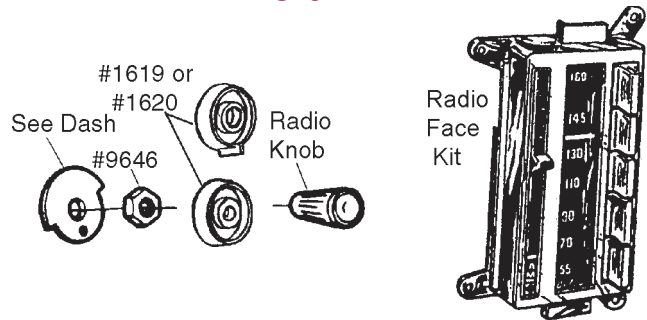
## MIRRORS & RELATED



63L-67E MIRROR

63 Early Mirror

## RADIO & RELATED



Radio Face Kit

### Outside

2397	63E	Longbase Outside Mirror w/Bowtie with Mounting Kit .....	49.00 ea
2398	63E	Longbase Outside Mirror Mounting Kit - Includes Bracket, Gasket & Screws .....	12.00 kit
2988	63E	Longbase Mirror Reinforcement Plate in Door .....	11.50 ea
8806	63E	Longbase Outside Mirror Screw .....	1.25 ea
2401	63L-67E	Outside Bowtie Mirror w/Mtg Kit - Lt .....	65.00 ea
9690	63L-67E	Outside Bowtie Mirror - Rt .....	77.50 ea
2396	67L	Outside Mirror w/Snap Ring (No Bowtie) ...	69.95 ea
2989	63L-67	Outside Mirror Reinforcement Plate in Door .....	11.00 ea
9676	63L-67	Outside Mirror Mounting Kit - Includes Bracket, Gasket & Screw .....	12.00 kit
8954	63-67	Outside Mirror Mounting Screw .....	1.75 ea
2407	63-67	Outside Mirror Mounting Gasket .....	1.50 ea
8937	63L-67	Outside Mirror Bracket Screws (2) .....	2.00 pr

1450	63-67	Radio Speaker w/Transformer .....	29.95 ea
1788	63-67	Speaker Screen Assy. ....	70.00 ea
1619	63-65	Radio Tone Knob & Spacer Set -Satin(dull)	20.50 pr
1620	66-67	Radio Tone Knob & Spacer Set -Chrome ..	20.50 pr
1435	63	Radio Knob .....	19.50 ea
9645	64	Radio Knob (set screw type) .....	18.00 ea
1644	65	Radio Knob .....	18.00 ea
1645	66	Radio Knob (2 req) .....	18.00 ea
1646	67	Radio Knob .....	18.00 ea
9646	63-67	Nut - Radio Back Plate .....	3.00 pr
1685	63-67	AM-FM Radio Selector Bar .....	18.50 ea
5407	63-67	Radio Trim Ring Bezel. ....	13.50 ea
1687	64-67	Radio Capacitor - Heater Blower Motor Replacement .....	15.00 ea
1688	63-67	Radio Capacitor - Directional Signal .....	30.00 ea ND
1686	63-67	Radio Capacitor - Ignition Coil w/327 .....	11.00 ea
1684	65-67	Radio Capacitor - Ignition Coil w/396-427 .	24.00 ea ND
10449	63-64	Radio Capacitor on Voltage Regualtor .....	24.00 ea ND
1691	65-67	Radio Capacitor on Voltage Regulator w/327 .....	24.00 ea ND
1693	63-67	Radio Capacitor on Ammeter Gauge .....	24.00 ea ND
1694	63-67	Radio Capacitor - Behind Dash Near Ignition Switch .....	24.00 ea ND
9707	63L-64	<b>*AM/FM Radio Face Kit .....</b>	139.00 kit
9708	65	<b>*Radio Face Kit .....</b>	139.00 kit
9709	66-67	<b>*Radio Face Kit .....</b>	139.00 kit

**NOTE: Radio Face Kits - include the chrome face plate with new lens installed, slider and 5 push buttons**

RADIO Section continued on Next Page.

## RADIO (continued)



Radio Ground Straps



Radio Lens

## Radio Ground Straps - All Correct

1443	63	Ground Strap Set	30.00 set
1444	63-66	Ground Strap Set w/Side Exhaust	25.00 set
1445	64-66	Ground Strap Set w/o Side Exhaust	25.00 set
1439	67	Ground Strap Set w/Side Exhaust	18.00 set
1440	67	Ground Strap Set w/o Side Exhaust	24.00 set

## Radio Lens

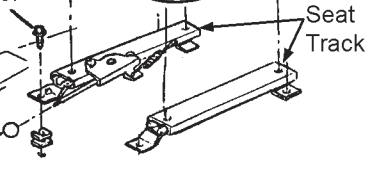
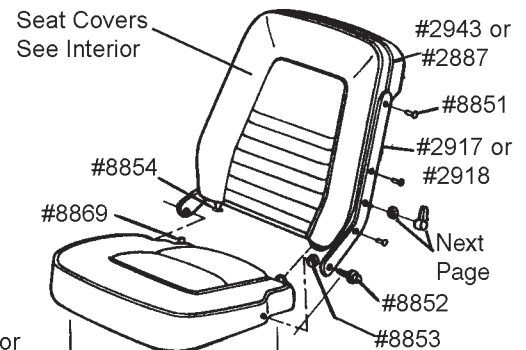
9670	63	Radio Lens with "Wonderbar"	23.00 ea
9671	63-64	Radio Lens for AM/FM Push Button	23.00 ea
9672	65	Radio Lens for AM/FM Push Button	23.00 ea
9673	66-67	Radio Lens for AM/FM Push Button	23.00 ea

## SEAT & SEAT BELTS

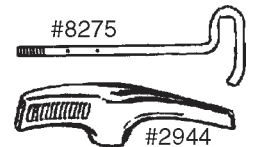
### Seat Covers - See Interior Section

### Seat Belt Underbody Reinforcements

3940	63	Seat Belt Rein Corner w/Weld Nut - Outside Lt	22.00 ea
3941	63	Seat Belt Rein Corner w/Weld Nut - Outside Rt	22.00 ea
3946	63-64	Seat Belt Rein Corner w/Weld Nut 63-64 Inside Lt or 64 Outside Rt	22.00 ea
3947	63-64	Seat Belt Rein Corner w/Weld Nut 63-64 Inside Rt or 64 Outside Lt	22.00 ea
3944	65-67	Seat Belt Rein Corner w/Stud - Outside Lt	22.00 ea
3945	65-67	Seat Belt Rein Corner w/Stud - Outside Rt	22.00 ea
3948	65-67	Seat Belt Rein Corner w/Stud - Inside Lt	22.00 ea
3949	65-67	Seat Belt Rein Corner w/Stud - Inside Rt	22.00 ea
8284	63	Seat Belt Reinforcement Corners (4 pcs)	65.00 set
8285	64	Seat Belt Reinforcement Corners (4 pcs)	65.00 set
8286	65-67	Seat Belt Reinforcement Corners (4 pcs)	65.00 set
8449	66-67	Seat Belt Reinforcement for Shoulder Harness	72.50 pr

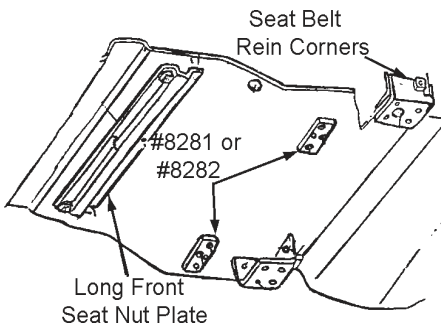


### Seat Backs - See Interior Section



### Seat Trim & Hardware

2943	65-67	Seat Back Chrome Trim - polished S.S.	17.50 ea
2887	65-67	Seat Back Chrome Trim - Chrome plated steel as original	31.00 ea
2931	63-64	Seat Side Chrome Trim - (4 pcs) (no notch)	165.00 set
2917	65-66	Seat Side Chrome Trim - (4 pcs)	165.00 set
2918	67	Seat Side Chrome Trim - (4 pcs)	165.00 set
10315	63-66	Seat Side Chrome Trim (4) Imported	129.00 set
10316	67	Seat Side Chrome Trim (4) Imported	129.00 set
8851	63-67	Seat Side Chrome Trim Screws (12 pcs)	7.00 set
2946	63-64	Seat Back Vent (set of 4)	13.50 set ND
2947	65-67	Seat Back Vent	6.00 pr
8275	63	Seat Adjusting Handle	26.50 ea
2944	64-66	Seat Adjusting Handle	24.95 ea
8360	67	Seat Adjusting Chrome Ball - Metal	13.50 ea
8869	63-66	Nylon Seat Bumpers (4)	7.00 set
8277	67	Seat Bumper Set (2 Plastic & 2 Metal)	13.00 set
8855	63-67	Seat Bumper Screws (4)	2.75 set
8854	63-66	Seat Back Adjusting Screw w/Nut & Washer (4 req.)	3.00 ea
8852	63-67	Seat Hinge Pivot Bolt	3.00 ea
8853	63-67	Seat Hinge Pivot Bolt Washer	1.50 ea



### Seat Mounting

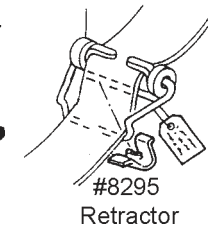
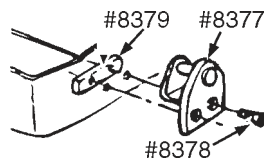
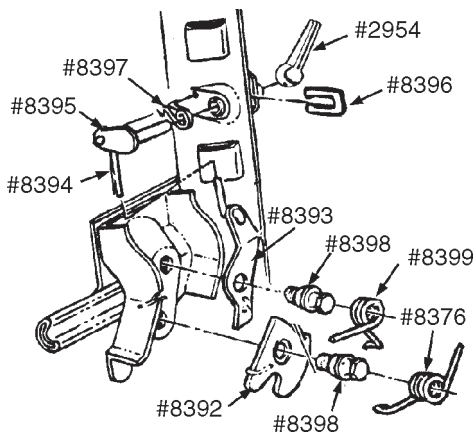
8278	63	Long Front Seat Nut Plate - Under Floor (2 req.)	25.00 ea
8279	64-66	Long Front Seat Nut Plate - Under Floor (2 req.)	25.00 ea
8280	67	Long Front Seat Nut Plate - Under Floor (2 req.)	25.00 ea
8281	63-66	Seat Mount Rear Nut Plate - Under Floor (4 req.)	11.00 ea
8282	67	Seat Mount Rear Nut Plate - Under Floor (4 req.)	8.50 ea
2942	63-66	Rear Seat Hold Down "U" Bracket, 4 req	5.50 ea
8856	63-66	Seat Mounting Bolts (12 pcs)	10.00 set
8857	67	Seat Mounting Bolts (8 pcs)	7.00 set
8283	63-66	Seat Mounting Plate (4 req.)	4.00 ea
8391	64-67	Seat Mount Shim 1/8"	1.25 ea

## Seat Trim & Hardware (cont)

8497_	64-66	Seat Adjuster Assembly - Specify Lt or Rt (each seat requires - 1 Lt & 1 Rt) .....	139.00 ea ND
8498**	64-66	Seat Adjuster Bracket - welds to main horizontal track (fits rear outside left and inside right position) 2 req .....	17.95 ea
8499**	64-66	Seat Adjuster Bracket - welds to main horizontal track (fits inside left and outside right position) 2 req .....	17.95 ea

**\*\* Most adjusters are rusty at the tapered rear section, you can remove your old piece and weld our new ones #8498 & #8499 into place.**

7152	67	Seat Front Adjuster Mounting Bracket 4 per car .....	17.00 ea
7153	67	Seat Rear Adjuster Mounting Bracket with slotted mtg hole Lt Inner or Rt Outer .....	17.00 ea
7154	67	Seat Rear Adjuster Mounting Bracket with round mtg hole Lt Outer or Rt Inner .....	17.00 ea



## 67 Seat Back Lock and Hardware

8392	67	Seat Back Latch Fork .....	16.00 ea
8393	67	Seat Back Latch Lever .....	8.00 ea
8394	67	Seat Back Crank Rod .....	5.50 ea
8395	67	Seat Back Lever Crank .....	16.00 ea
8396	67	Seat Back Crank Retainer Clip .....	5.00 ea
8397	67	Seat Back Release Lever Anti-Rattle Spring .....	6.00 ea
8398	67	Seat Catch Lever Pivot Screw (4 req) .....	6.00 ea
8399	67	Seat Latch Lever Spring .....	6.00 ea
8376	67	Seat Latch Fork Spring .....	6.00 ea
8377	67	Seat Catch on Seat Bottom .....	22.00 ea
8378	67	Seat Bottom Catch Screw Set (4 pcs) .....	2.50 set
8379	67	Seat Bottom Catch Nut Plate .....	6.00 ea
2954	67	Seat Back Release Handle .....	26.00 ea
8276	67	Seat Back Release Handle Washers .....	6.00 pr

## Seat Belts & Related

These belts are an inexpensive replacement for the originals, they have chrome lift buckles and come in a variety of colors. **ONE CAR SET**

7265	63-67	Seat Belts, Replacement - Black .....	55.00 set
7266	63-67	Seat Belts, Replacement - Red .....	55.00 set
8289	65-66	Seat Belts, Replacement - Tan .....	55.00 set
8234	63-64, 67	Seat Belts, Replacement - Saddle .....	55.00 set
8290	63-66	Seat Belts, Replacement - Dark Blue .....	55.00 set
8291	65-67	Seat Belts, Replacement - Bright Blue .....	55.00 set
8292	64-66	Seat Belts, Replacement - Silver .....	55.00 set
8288	65	Seat Belts, Replacement - Oxblood .....	55.00 set

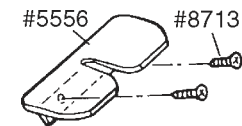
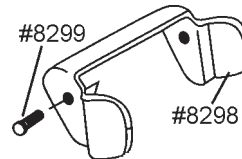
See Page 4 for Color Photo of above Seat Belts

**CORRECT SEAT BELTS - See Next Column**

\*\*\*Delivery Time on Dated Seat Belts can be 6 - 12 Months\*\*\*

2990_	64-66E	<b>Seat Belt Assemblies:</b> Made to OEM specifications by the original manufacturer. All belts made to order with correct date coding. Includes belts, buckles, tongues and floor mount brackets. Colors available: Black, Red, Dark Blue, Bright Blue, White, 65 Silver and 65 Light Saddle (car set) .	339.00 set ND
8294_	64-66E	<b>Seat Belt Assemblies:</b> Maroon & Dark Green Same description as #2990 (car set) ....	399.00 set ND
8296	63-64	Seat Belt Anchor Bolt Set (4) .....	11.75 set
8297	65-67	Seat Belt Anchor Bolt & Nut Set (4) Includes Special Self Locking Nuts .....	7.50 set
4695	64-66	Seat Belt Decals .....	10.00 pr
8228	65-67	Seat Belt Cable Assemblies w/Hardware ..	95.00 set
2997	63-67	Bolt Only - Seat Belt Mounting .....	3.50 ea
8229	65-67	Nut Only - Seat Belt Mounting .....	1.50 ea
8482	66-67	Seat Belt Bolt Kit for cars with Shoulder Harness .....	13.00 kit

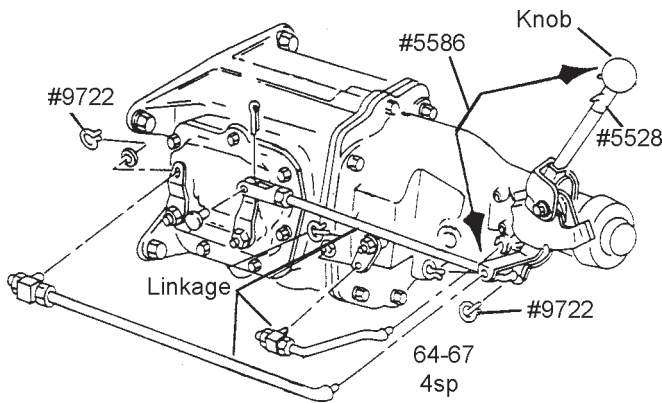
2991	65-66E	Seat Belt Retractor Pockets - Long Style Black .....	34.00 pr
2984_	65-66E	Seat Belt Retractor Pockets - Long Style Red or Bright Blue (specify color) ..	48.00 pr
2985	65-66E	Seat Belt Retractor Pockets - Long Style Saddle .....	55.00 pr
8295	65-66E	Seat Belt Retractor - Correct .....	22.00 ea
10178	65-66E	Seat Belt Retractors - Replacement (wire different from original) .....	25.00 pr
2992	66L-67	Seat Belt Retractor Pockets - Short Style Black .....	34.00 pr
2986_	66L-67	Seat Belt Retractor Pockets - Short Style Red or Blue (specify year and color) .....	48.00 pr
2987_	66L-67	Seat Belt Retractor Pockets - Short Style Teal, 66 Med. Saddle (specify color) .....	55.00 pr
8326	66-67	Twin Seat Belt Pocket - for cars with shoulder belt option - BLACK .....	18.00 ea
8327_	66-67	Twin Seat Belt Pocket - for cars with shoulder belt option - RED, BLUE or SADDLE .....	28.00 ea



5556	65-66E	Seat Belt Buckle Bracket on Console - No Hole .....	15.00 ea
5557	66L	Seat Belt Buckle Bracket on Console - w/Holes .....	15.00 ea
8298	67E	Seat Belt Buckle Bracket on Console - No Holes .....	37.00 ea
5635	67L	Seat Belt Buckle Bracket on Console - w/Holes .....	37.00 ea
8713	65-66	Seat Belt Buckle Bracket on Console Screws (2) .....	1.25 pr
8299	67	Seat Belt Buckle Bracket & Brake Console Screws (4) .....	2.00 set



## SHIFTER & TRANSMISSION



### Shifter - 4 sp

**HURST Shifter Handles** - for use on Hurst\* Competition Plus\* Shifters in place of Hurst\* Handle - includes Shaft, T-Handle & Knob for a stock Corvette look. Uses stock shift boot.

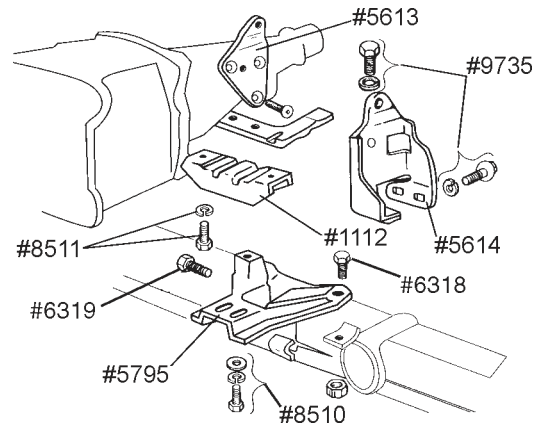
<b>9731</b>	<b>63</b>	Shifter Handle - Fits Hurst Shifter..	<b>109.00 ea</b>
<b>9732</b>	<b>64-67</b>	4sp Shifter Handle - Fits Hurst Shifter ...	<b>87.00 ea</b>
5566	63	4sp Shifter w/Knob .....	379.00 ea
5590	63	4sp Shifter Linkage w/B & W T-10 .....	85.00 ea
5608	63	4sp Shifter Linkage w/Muncie .....	85.00 ea
5537	63	Black Shifter Knob - Fits 4sp, 3sp & Auto	10.50 ea
5508	63	4sp Shifter Reverse Lockout T-Handle w/Cable .....	55.00 ea
5592	63	4sp Shifter Anti-Rattle Spring .....	6.50 ea
5586	64-67	4sp Shifter w/Chrome Knob. ....	219.00 ea
5591	64-67	4sp Shifter Linkage .....	69.00 set
5540	64-67	4sp Shifter Reverse Lockout T-Handle, Rod and Bushings .....	25.00 ea
5542	64-67	4sp Shifter Reverse Lockout Rod .....	6.00 ea
5528	64-67	4sp Shifter Reverse Lockout T-Handle .....	17.00 ea
9736	64-67	4sp Shifter T-Handle Bushings .....	3.50 pr
9737	64-67	4sp Reverse Lockout Handle Spring .....	5.00 ea
9733	64-67	Shifter Mounting Bolts .....	2.50 set
9722	63-67	Shifter Linkage & Clutch Rod "G" Clip .....	1.00 ea
5538	64-67	Chrome Shifter Knob - 4sp and 3sp .....	15.00 ea
5613	64-66E	Shifter Mount Plate to Trans - 4sp .....	20.00 ea
9734	64-66E	Shifter Mount Plate to Trans Screws .....	3.00 set
5614	66L-67	Shifter Mount Bracket to Frame 3 or 4 sp..	25.00 ea
9735	66L-67	Shifter Mount Bracket to Frame Screws .....	3.50 set

### Shifter - Auto & 3sp

9738	63	3sp Shifter w/Knob .....	279.00 ea
5589	63	3sp Shifter Linkage .....	59.00 set
5537	63	Black Shifter Knob - Fits 4sp, 3sp & Auto	10.50 ea
9739	64-67	3sp Shifter w/Knob .....	249.00 ea
9741	63	Auto Shifter w/Knob .....	289.00 ea
9742	64	Auto Shifter w/Knob .....	298.00 ea
5588	63-64	Auto Shifter Linkage .....	39.00 set
9743	64	Auto Shifter Chrome Knob .....	27.00 ea
9744	65-67	Auto Shifter w/Knob .....	309.00 ea
9745	65-67	Auto Shifter Linkage .....	45.00 set
5770	65-67	Auto Shifter Knob, Black Plastic .....	16.95 ea
5772	65-67	Auto Shifter Chrome Push Button .....	9.95 ea
9746	65-67	Spring - for Auto Shifter Button .....	4.50 ea
5771	65-67	Custom Chrome - Auto Shifter Knob .....	17.95 ea

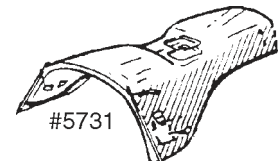
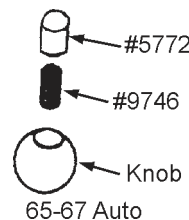
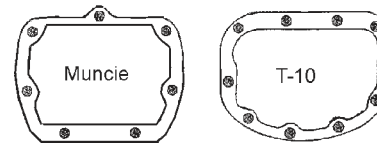
See **CONSOLE** Section for Shift Boots

## Transmission & Clutch



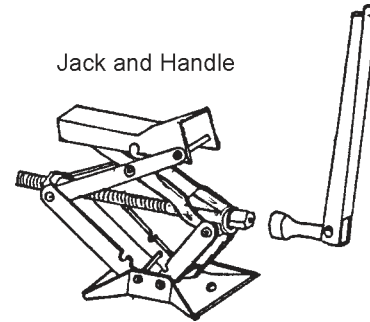
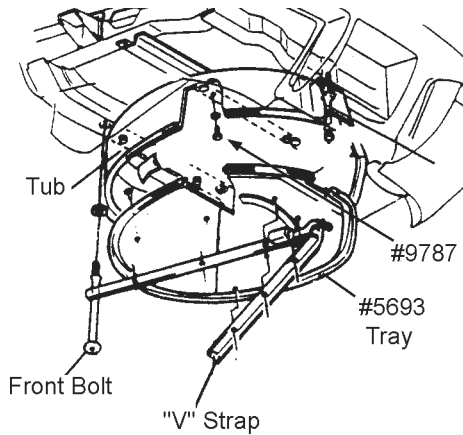
9747	63-64	Auto Trans. Drive Shaft Slip Yoke (16 Spline) .....	199.00 ea
9748	63-67	Trans. Drive Shaft Slip Yoke (26 Splines) 63 Muncie, 64 3sp & 4sp, 65-67 All .....	199.00 ea
1112	63-67	Transmission Mount - All .....	11.00 ea
8510	63-67	Trans Mount to Bracket Bolt Set (4 pcs) .....	4.00 set
8511	63-67	Trans Mount to Trans Bolts, Washers (4 pc) .....	2.50 set
5795	63-67	Trans Mount Bracket to Frame .....	48.00 ea
6318	63-67	Trans Mount Bracket Bolt, Nut and Washer Set .....	2.50 set
6319	63-67	Trans Mount Bracket Lower Bolt & Nut .....	1.25 ea
5741	63-67	Clutch Inspection Cover w/10 1/2" Clutch with 3 1/4" diameter hole .....	18.25 ea
5742	66-67	Clutch Inspection Cover w/11" Clutch with 2 7/8" diameter hole .....	22.50 ea
8758	63-66	Clutch Inspection Cover Bolt Set - Slotted .	3.50 set
8759	67	Clutch Inspection Cover Bolt Set - Hex .....	3.50 set
5743	63-67	Auto Transmission Underpan - Repl. ....	DISC
9749	63-67	Auto Transmission Cooling Lines S.S. ....	55.00 pr
6317	63-67	Auto Trans Cooling Line "C" Clip Set (3) .....	6.00 set
5160	66-67	Trans Cooling Upper Outlet Pipe on Radiator - S.S. ....	12.00 ea
5161	66-67	Trans Cooling Lower Inlet Pipe on Copper Radiator - S.S. ....	12.00 ea
5731	63-67	Transmission Tunnel Insulation .....	35.00 ea
5733	63-67	Retainer - Insulation to Floor (4 req) .....	2.50 ea
5999	63-67	Large Flat Head Aluminum Rivets 5/8" long (25 pcs) .....	4.00 set

Do you have a Muncie or T-10?  
Just look at the side cover.





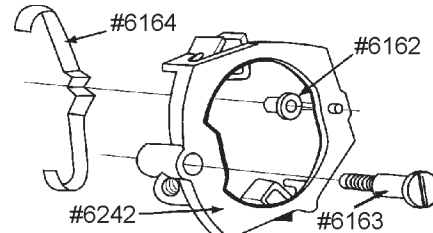
## SPARE TIRE CARRIER & JACK



9701	63	Spare Tire Carrier Assy - Tub, Tray and V-Strap .....	379.00 set ND
9797	64-67	Spare Tire Carrier Assy - Tub, Tray and V-Strap .....	379.00 set ND
5687	63	Upper Spare Tire Carrier Tub .....	202.00 ea
5682	64-67	Upper Spare Tire Carrier Tub .....	202.00 ea
9787	63-67	Mounting Bolt Set Upper Spare Tire Tub .....	3.50 set
5693	63-67	Lower Spare Tire Carrier Tray .....	149.00 ea
5691	63	Spare Tire Carrier "V" Strap .....	69.00 ea
5692	64-67	Spare Tire Carrier "V" Strap .....	69.00 ea
5999	63-67	Aluminum Body Assembly Rivets 5/8" long (25 pcs) - for attaching spare tire tray to "V" bracket .....	4.00 set
5688	63	Front Tire Carrier Bolt 9 5/8" Lg - All Tires .....	21.00 ea
5681	64-66	Front Tire Carrier Bolt 9 1/4" Lg - w/Standard Tires exc K.O. Wheels .....	21.00 ea
5688	64-66	Front Tire Carrier Bolt 9 5/8" Lg - w/K.O. Wheels except Gold Line Tires .....	21.00 ea
5689	65-67	Front Tire Carrier Bolt 10 1/4" Lg - w/Red or Gold Line Tire .....	21.00 ea

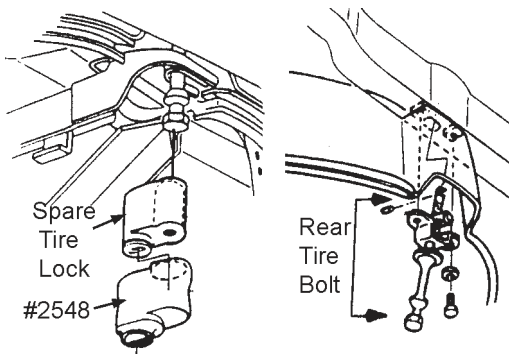
9789	63-65E	Correct Repro Jack Type I (65 to S/N 12,000) .....	149.00 ea
9790	65Mid	Correct Repro Jack Type II (65 S/N 12,000 to 20,000) .....	149.00 ea
9791	65L-67	Correct Repro Jack Type III (65 S/N from 20,001 to 23,564) .....	149.00 ea
<b>(67 Jacks Available w/Date Stamp EXTRA \$10.00 - Specify Date)</b>			
9792	63-64	Jack Handle/Lug Wrench (No Hole) .....	26.00 ea
9793	65-66	Jack Handle/Lug Wrench (1 Hole) .....	26.00 ea
2546	67	Jack Handle/Lug Wrench (3 Hole) .....	26.00 ea
2552	65-67	Bumper - Jack Handle .....	4.50 ea
2582	63-65E	Jack Hold Down Spring - single hook .....	8.50 ea
2583	65L-67	Jack Hold Down Spring - double hook .....	8.50 ea
2497	63-67	Jack Spring Brackets w/Rivets .....	13.00 set

## STEERING COLUMN



63 Standard

### 63 Steering Column



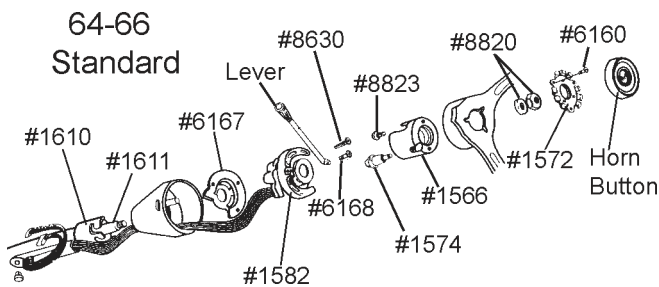
5655	63E	Rear Tire Carrier Lock Bolt Assy with Bracket .....	42.00 set
5680	63L-67	Rear Tire Carrier Lock Bolt Assy. with Standard Tire, 7" long .....	39.50 set
5686	65-67	Rear Tire Carrier Lock Bolt Assy. with Gold and Red Line Tire, 8" long .....	39.50 set
2547	63-67	Spare Tire Lock (w/69-82 Type Key) .....	47.00 ea
9636	63-66	Spare Tire Lock (w/Correct Key) .....	59.00 ea
10394	67	Spare Tire Lock (w/Correct Key) .....	64.00 ea
2548	63-67	Spare Tire Lock Boot .....	7.75 ea

1561	63-64	Horn Button .....	56.95 ea
6181	63-66	Steering Hub Nut & Washer .....	1.75 ea
1572	63-66	Horn Contact- non-tele .....	19.95 ea
1574	63-66	Horn Contact Brush Assy .....	16.00 ea
6160	63-67	Horn Contact Screw Set - Std .....	1.75 set
1565	63	Turn Signal Cancelling Cam .....	12.50 ea
6242	63	Turn Signal Cancelling Alum Ring with Flippers & Spring .....	54.00 set
6162	63	Turn Signal Aluminum Ring Roller .....	6.00 ea
6163	63	Turn Signal Cancelling Ring Pivot Screw .....	9.00 ea
6243	63	Steering Column Wedge & Screw .....	8.00 ea
6164	63	Turn Signal Roller "W" Spring .....	13.00 ea
6165	63	Turn Signal Switch Cable .....	16.00 ea
6244	63	Steering Column Sleeve .....	6.00 ea
1581	63	Turn Signal Switch .....	12.50 ea
8822	63	Turn Signal Switch Mounting Screws .....	1.00 pr
1596	63	Upper Steering Column Bearing .....	20.00 ea
1604	63	Steering Column Tube .....	63.00 ea
1611	63-66	Steering Column Shaft - except Tele .....	95.00 ea
5482	63	Turn Signal Lever w/Knob .....	17.50 ea

## STEERING COLUMN (continued)

### 64-67 Standard Column

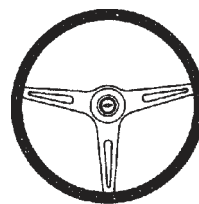
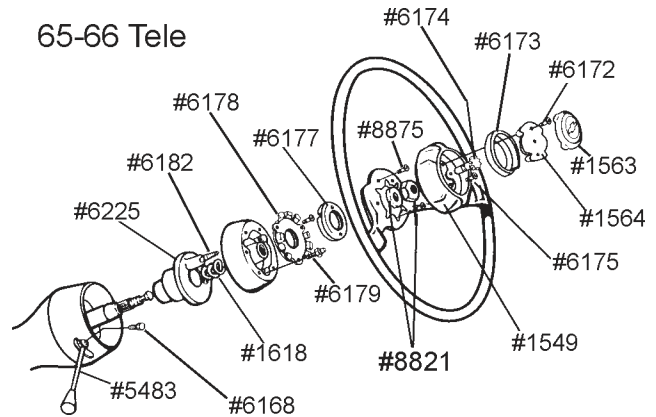
1561	63-64	Horn Button .....	56.95 ea
1562	65-66	Horn Button, Std .....	56.95 ea
1567	67	Horn Button .....	41.50 ea
6181	63-66	Steering Hub Nut & Washer .....	1.75 ea
8821	67	Steering Hub Nut & Washer .....	1.75 ea
1572	63-66	Horn Contact - non-tele .....	19.95 ea
1573	67	Horn Contact - non tele .....	19.95 ea
1574	63-66	Horn Contact Brush Assy .....	16.00 ea
6248	67	Horn Contact Spring & Pin .....	5.00 ea
6160	63-67	Horn Contact Screw Set - Std .....	1.75 set
8630	64-66	Turn Signal Switch Mounting Screws (3) .....	2.50 set
1582	64-66	Turn Signal Switch w/Harness .....	47.00 ea
1583	67	Turn Signal Switch w/Harness.....	Coming Soon
6245	64-66	Turn Signal Switch Repair Plate. ....	12.50 ea
6246	64-66	Turn Signal Switch Repair Plate "O"Ring .....	1.00 ea
1566	64-66	Turn Signal Cancelling Cam .....	12.50 ea
6247	67	Turn Signal Cancelling Cam , Std .....	25.95 ea
8823	63-67	Turn Signal Cancelling Cam Screws & Washers (2 pr) .....	2.00 set
1618	67	Upper Steering Column Spring .....	6.00 ea
1597	64-66	Upper Steering Column Bearing .....	15.00 ea
1599	67	Upper Steering Column Bearing .....	35.00 ea
6167	64-66	Upper Steering Column Tube Retainer .....	19.00 ea
1610	64-66	Steering Column Tube - except Tele .....	79.00 ea
1611	63-66	Steering Column Shaft - except Tele .....	95.00 ea
5483	64-66	Turn Signal Lever w/Knob .....	17.50 ea
5488	67	Turn Signal Lever w/Knob .....	17.50 ea
6168	64-66	Screw - Turn Signal Lever .....	.75 ea
7285	67	Upper Steering Column Plastic Cover (2 pcs) .....	59.95 ea
8875	63-67	Steering Wheel Mounting Screws (6) .....	3.50 set
6268	67E	Traffic Hazard Button on Steering Column long chrome w/ wording on side (thru serial #9000) .....	19.00 ea
6269	67L	Traffic Hazard Button on Steering Column short chrome w/wording on front (after serial #9000) .....	19.00 ea



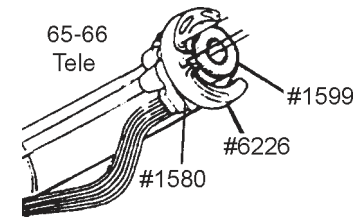
### Steering Wheels

5172__	63	Steering Wheel - Reproduction Specify Color .....	Coming Soon
10058	65-66	Teakwood Steering Wheel - New Reproduction .....	595.00 ea ND
10176	64-67	Corvette Simulated Walnut Steering Wheel - repro of original .....	269.95 ea
10177	64-67	Steering Wheel Hub for #10176 .....	39.95 ea

### 65-66 Telescopic

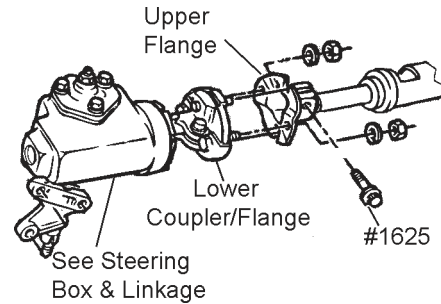
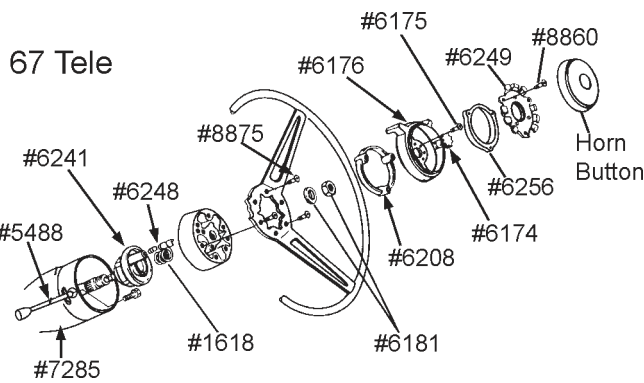


Steering Wheels



### 65-66 Telescopic

1563	65-66	Horn Button, Tele .....	59.95 ea
1564	65-66	Horn Button Retainer Stand .....	15.50 ea
6172	65-66	Horn Button Stand Screws .....	1.50 pr
6173	65-66	Horn Button Stand Liner .....	11.00 ea
6174	65-67	Lock Ring Star Screw .....	29.00 ea ND
6175	65-66	Star Wheel Retainer Screw .....	2.00 pr
1549	65-66	Tele Column Lock Ring - Chrome .....	51.95 ea
6179	65-66	Tele Stop Pin .....	8.50 ea
6180	65-66	Tele Stop Pin Bumper .....	1.50 ea
8821	65-66	Steering Hub Nut & Washer .....	1.75 pr
6177	65-66	Tele Horn Button Stand Donut .....	22.00 ea
6178	65-66	Tele Horn Contact .....	19.95 ea
6160	63-66	Horn Contact Screws .....	1.75 set
6182	65-66	Tele Horn Contact Spring .....	6.00 ea
6225	65-66	Tele Turn Signal Cancelling Cam .....	26.00 ea
1580	65-66	Tele Turn Signal Switch Assy -w/Wire .....	135.00 ea
6226	65-66	Tele Turn Signal Switch Repair Plate .....	14.00 ea
6246	64-66	Turn Signal Switch Repair Plate "O" Ring .....	1.00 ea
6227	65-66	Tele Steering Column Mount Bracket - underdash .....	27.00 ea
6228	65-66	Tele Stop Rod .....	6.00 ea
5483	64-66	Turn Signal Lever w/Knob .....	17.50 ea
6168	64-66	Screw - Turn Signal Lever .....	.75 ea
8875	63-67	Steering Wheel Mounting Screws (6) .....	3.50 set
1618	65-67	Upper Steering Column Spring .....	6.00 ea
1599	65-66	Upper & Lower Tele Column Bearing .....	35.00 ea
1616	65-66	Steering Column Tube (tube & cap) - TELE .....	85.00 ea

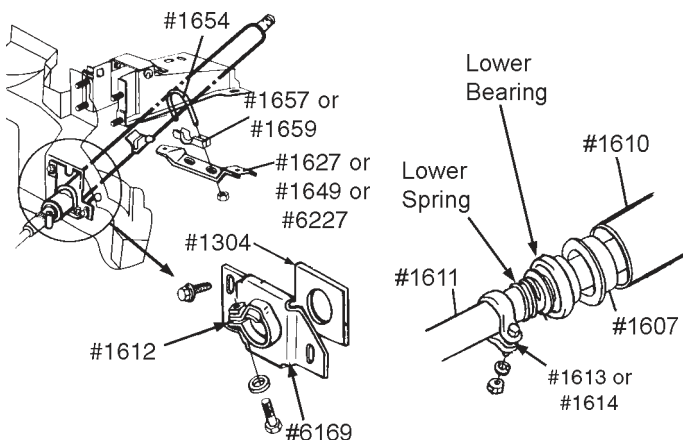


### 67 Telescopic

1567	67	Horn Button .....	41.50 ea
6249	67	Tele Horn Contact .....	19.95 ea
6208	67	Horn Contact Spacer - Tele .....	22.00 ea
8860	67	Horn Contact Screws (Tele) 3 pc .....	1.75 set
6256	67	Tele Horn Contact Shim .....	6.00 ea
6174	65-67	Lock Ring Star Screw .....	29.00 ea ND
6175	65-67	Star Wheel Retainer Screw .....	2.00 pr
6176	67	Tele Column Lock Ring - Chrome .....	54.00 ea
8821	67	Steering Hub Nut & Washer .....	1.50 pr
1618	65-67	Upper Steering Column Spring .....	6.00 ea
6248	67	Horn Contact Spring & Pin .....	5.00 ea
1583	67	Turn Signal Switch w/Harness .....	Coming Soon
1599	67	Upper Steering Column Bearing .....	35.00 ea
6241	67	Turn Signal Cancelling Cam (Tele) w/Spring .....	25.95 ea
5488	67	Turn Signal Lever w/Knob .....	17.50 ea
6258	67	Tele Stop Rod .....	6.00 ea
7285	67	Upper Steering Column Cover (2 pc) .....	59.95 ea
8875	63-67	Steering Wheel Mounting Screws (6) .....	3.50 set
6268	67E	Traffic Hazard Button on Steering Column long chrome w/wording on side (thru serial #9000) .....	19.00 ea
6269	67L	Traffic Hazard Button on Steering Column short chrome w/wording on front (after serial #9000) .....	19.00 ea

1599	65-66	Upper & Lower Steering Column Bearing TELE .....	35.00 ea
7213	65-66	Upper & Lower Bearing Clip w/Tele (3 req) ...	2.50 ea
7243	65-66	Lower Bearing Washer w/Tele .....	6.00 ea
7244	65-66	Lower Bearing Spring w/Tele .....	11.00 ea
1598	63-66	Lwr. Steering Column Bearing, Std .....	18.50 ea
1600	67E	Lower Steering Column Bearing Stepped Design .....	42.00 ea
6161	67L	Lower Steering Column Bearing (straight design) - Repl .....	35.00 ea
1304	63-67	Lower Steering Firewall Seal .....	5.00 ea
1607	63-66	Lwr Steering Col. Bearing Housing .....	11.00 ea
1608	63-66	Lwr Steering Spring Spacer, Std .....	2.50 ea
1603	67	Lwr Steering Spring Spacer, All .....	5.00 ea
1606	63-66	Lwr Steering Col. Bearing Spring, Std .....	5.50 ea
6264	67E	Lwr Steering Bearing Spring - ALL .....	6.00 ea
1615	67L	Lwr Steering Col. Bearing Spring, All .....	5.50 ea
1618	65-67	Upper Steering Column Spring Fits 65-66 Tele and 67 All .....	6.00 ea
1613	63-66	Lwr Steering Column Bearing Clamp .....	12.50 ea
1614	67L	Lwr Steering Column Bearing Clamp .....	11.00 ea
6169	63-66	Lwr Steering Mast Support Bracket .....	16.00 ea
1612	63-66	Lwr Steering Mast Support Brkt Clamp ....	11.50 ea
1627	63	Steering Column Mount Bracket - underdash .....	22.00 ea
1649	64-66	Steering Column Mount Bracket - underdash Std Column .....	22.00 ea
6227	65-66	Steering Column Mount Bracket - underdash Tele Column .....	27.00 ea
1654	63-66	Steering Column "U" Bolt with Nuts (underdash) .....	17.00 ea
1657	63	Steering Column & Odometer Cable Support - underdash .....	22.00 ea
1659	64-66	Steering Column & Odometer Cable Support - underdash (Std Column) .....	22.00 ea
1621	63-66	Steering Column Coupler w/ <b>Lower Flange</b> with Rag Joint, w/round worm gear (non Tele) .....	.CALL
6170	63-66	Steering Column Coupler w/ <b>Upper &amp; Lower Flange</b> with Rag Joint ( <b>non-tele</b> ) <b>Rebuilt</b> .....	199.00 ea ND
6201	65-66	Steering Column Coupler w/ <b>Upper &amp; Lower Flange</b> with Rag Joint ( <b>TELE</b> ) .....	.CALL
1623	67	Steering Column Coupler <b>Lower Flange</b> with Rag Joint .....	89.00 ea
1622	67	Steering Column <b>Upper Flange</b> .....	70.00 ea
1625	63-67	Bolt (for Coupler or Flange to Steering Shaft) .....	10.00 ea
6257	67E	Lwr Steering Column Plastic Collar/Spacer .....	22.00 ea
6171	67L	Lwr Steering Column Plastic Collar/Spacer Correct .....	55.00 ea
1604	63	Steering Column Tube .....	63.00 ea
1610	64-66	Steering Column Tube - except Tele .....	79.00 ea
1611	63-66	Steering Column Shaft- exc Tele .....	95.00 ea
1616	65-66	Steering Column Tube (tube & cap) TELE ..	85.00 ea

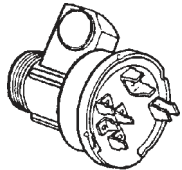
### 63-67 Lower Steering Column & Miscellaneous



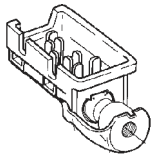
**See STEERING LINKAGE, POWER STEERING and STEERING BOX for more related items.**

## SWITCHES

3505	63-64	Ignition Switch - CORRECT .....	59.00 ea
10317	63-64	Ignition Switch - Replacement .....	30.00 ea
3506	65	Ignition Switch - Replacement .....	20.00 ea
3507	66-67	Ignition Switch - CORRECT .....	69.00 ea
10318	66-67	Ignition Switch - Replacement .....	35.00 ea
5507	63-65	Ignition Switch Chrome Nut .....	8.50 ea
4572	66-67	Ignition Switch Chrome Nut .....	11.00 ea
6390	63-65	Ignition Switch Nut Wrench .....	8.50 ea
6391	66-67	Ignition Switch Nut Wrench .....	8.50 ea
3513	63	Headlight Switch On/Off - Replacement ...	39.00 ea
3514	64-67	Headlight Switch On/Off .....	19.95 ea
4562	63-67	Headlight Switch Nut .....	16.50 ea
3600	63-67	Headlight Door Switch Under Dash .....	109.00 ea
8705	63-67	HL Door Open Switch Mtg Screws & Nuts ..	1.75 set
7231	63-67	HL Door Open Switch Connector w/pigtail	14.00 ea
3601	63-67	Headlight Door Limit Switch - at Headlight .	7.95 ea
3522	63-67	Dimmer Switch .....	8.95 ea
1467	63-67	Mounting Bracket - Dimmer Switch .....	8.50 ea
3561	63-66	Horn Relay - Repl .....	28.00 ea
3562	66-67	Horn Relay w/Buzzer - Repl .....	49.00 ea
7284	63-67	Heater/AC Blower Motor Cutout Relay .....	22.25 ea



Ignition Switch

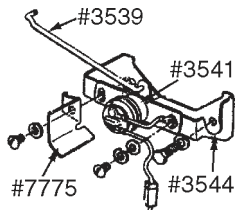
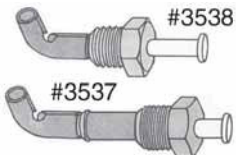


Headlight Switch



#3600

3551	63-64	Wiper Switch .....	38.95 ea
3552	65-66	Wiper Switch .....	38.95 ea
3553	67	Wiper Switch .....	59.00 ea
4567	63-67	Wiper Switch Nut .....	5.50 ea
3583	63-67	Water Temp Sender - correctly calibrated	22.00 ea
3525	63-67	Brake Light Switch - Plastic .....	8.50 ea
3565	63-64	Ign Coil Ballast Resistor 340-375 HP .....	18.00 ea
3566	63-67	Ignition Coil Ballast Resistor (63-64 250-300HP and 65-67 All) .....	18.00 ea
3571	63-67	Power Window Switch .....	45.00 ea
10583	63-67	Power Window Switch Connector w/pigtail	21.00 ea
3572	63-67	Power Window Switch Cup .....	29.00 ea
7770	67	Power Window Relay .....	47.50 ea
6693	67	Power Window Circuit Breaker - Repl .....	13.50 ea
3541	64-67	Back-Up Light Switch - 4sp .....	55.00 ea
3544	64-67	Back-Up Light Switch Bracket - 4sp .....	12.50 ea
3539	64-67	Back-Up Light Switch Rod w/clips - 4sp .....	6.00 ea
3548	64-67	Screw - Back-Up Switch to Bracket .....	1.50 pr
7775	64-67	Back-Up Light Switch Shield .....	7.50 ea
7776	65-67	Auto Neutral Safety/Back-Up Light Switch .....	155.00 ea



3538	63-66	Emergency Brake Light Switch .....	8.95 ea
3555	67	Emergency Brake Light & Alarm Switch ...	16.50 ea
3537	63-67	Door Jamb Switch - Courtesy Lamp .....	8.95 ea
1581	63	Turn Signal Switch .....	12.00 ea
1582	64-66	Turn Signal Switch w/Harness (exc. Tele) ..	47.00 ea
1580	65-66	Turn Signal Switch w/Harness (w/Tele) ....	135.00 ea
1583	67	Turn Signal Switch - All.....	Coming Soon
3575	63-67	Voltage Regulator - 42 AMP Delco REPL..	48.00 ea
10097	63-67	Voltage Regulator - 42 Amp - OEM Quality - non Delco .....	44.00 ea
7587	63L-67	Voltage Regulator Mounts and Screw .....	6.50 set

## WEATHERSTRIP

*American - Made*

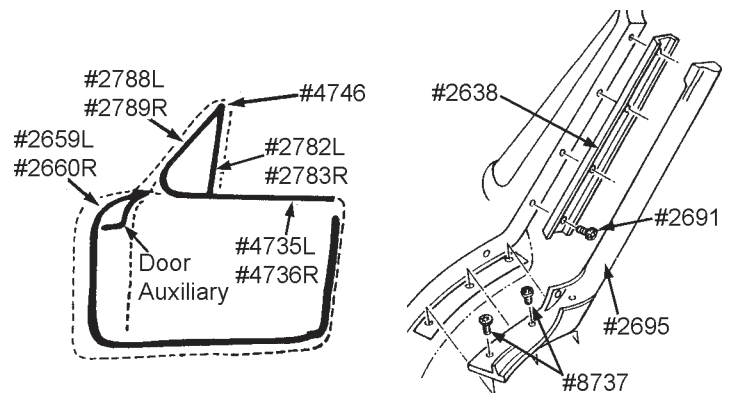
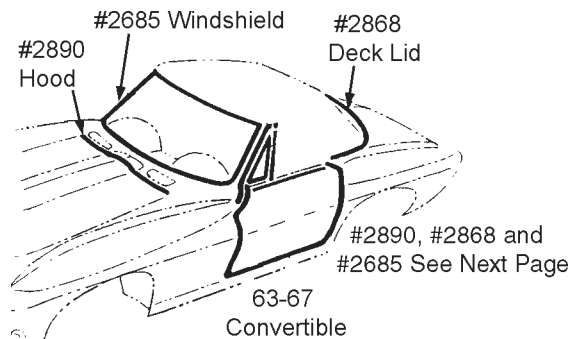
### Convertible Body Weatherstrip Kit

2816	63	Conv Body Weatherstrip Kit (Includes: 2659, 2660, 2815, 2695, 2890, 2868 with Adhesive .....	245.00 kit
2712	64-67	Conv Body Weatherstrip Kit (Includes: 2659, 2660, 2662, 2663, 2695, 2890 and 2868) with Adhesive .....	239.00 kit

### Convertible Door

2659	63-67	Door Main Conv - Lt .....	54.00 ea
2660	63-67	Door Main Conv - Rt .....	54.00 ea
2815	63	Door Auxiliaries - PAIR .....	23.50 pr
2662	64-67	Door Auxiliary - Lt .....	6.50 ea
2663	64-67	Door Auxiliary - Rt .....	6.50 ea
2698	63	Door Auxiliary W/Strip Push-In Fasteners - Metal (8 pcs) .....	5.00 set
2644	64-67	Door Auxiliary W/Strip Push-In Fasteners - Plastic (8 pcs) .....	5.00 set
4735	63-67	Outer Window Seal - Lt .....	10.00 ea
4736	63-67	Outer Window Seal - Rt .....	10.00 ea
8732	63-67	Outer Window Seal Screws (12) .....	3.00 set
4746	63-67	Front Upper Window Stop .....	7.50 ea
4729	63-67	Conv Upper Window Stop Screws .....	1.25 pr
2695	63-67	Windshield Post with Attached Hinge Pillar W/Strip .....	99.95 pr
2638	63-67	Windshield Post W/Strip S.S. Retainer w/Screws .....	26.00 ea
2691	63-67	Windshield Post Retainer Screws (8 pcs) ....	3.50 set
8737	63-67	Hinge Pillar W/Strip Fastener Kit .....	4.00 kit
2788	63-67	Vent Window Front - Lt .....	45.00 ea
2789	63-67	Vent Window Front - Rt .....	45.00 ea
2782	63-67	Vent Window Rear - Lt .....	23.00 ea
2783	63-67	Vent Window Rear - Rt .....	23.00 ea

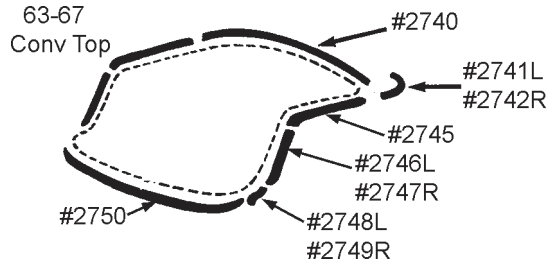
### SEE NEXT PAGE FOR MORE WEATHERSTRIP



## WEATHERSTRIP (continued)

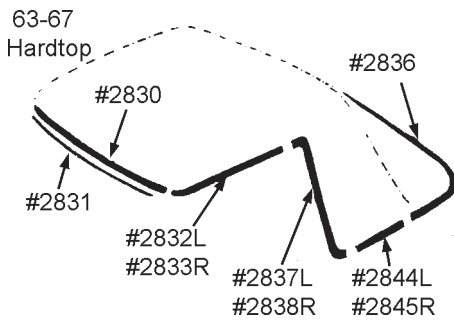
**American Made - not Inferior Foreign -Made like some other companies sell**

### CONV. Body Weatherstrip See Previous Page



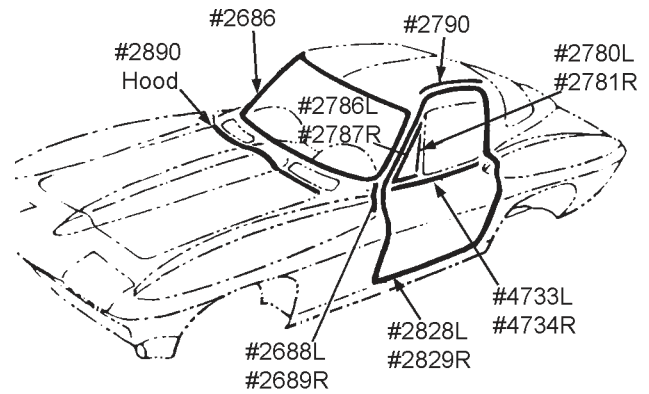
### Convertible Top

2743	63-67	Conv Top Weatherstrip Kit (10 pcs) .....	195.00 kit
2744	63-67	Conv. Top W/Strip Fastener Kit .....	14.50 kit
2740	63-67	Front Header .....	12.00 ea
2741	63-67	Header Corner & Side Filler - Lt .....	47.50 ea
2742	63-67	Header Corner & Side Filler - Rt. ....	47.50 ea
2745	63-67	Side Center - Lt or Rt .....	24.50 ea
2746	63-67	Side Rear Vertical - Lt .....	27.00 ea
2747	63-67	Side Rear Vertical - Rt .....	27.00 ea
2748	63-67	Rear Bow Corner Filler Exten. - Lt .....	19.00 ea
2749	63-67	Rear Bow Corner Filler Exten. - Rt. ....	19.00 ea
2750	63-67	Rear Bow .....	19.00 ea
2751	63-67	Rear Bow Hold-In Cord .....	6.00 ea



### Hardtop

2850	63-67	Hardtop Weatherstrip Kit (9 pcs) - Does not include Rear Window Channel) .....	295.00 kit
2851	63-67	Hardtop Weatherstrip Fastener Kit (does not include #2834 or #2839 clips) .....	15.00 kit
2831	63-67	Front Header Outer .....	18.50 ea
2834	63-67	Front Header Outer W/Strip Retainer Clip (13 req.) .....	3.75 ea
2839	63-67	Front Header Outer W/Strip Retainer Clip Set (13 pcs) .....	41.00 set
2830	63-67	Front Header Inner .....	13.00 ea
2832	63-67	Frt Header Corner & Side Rail - Lt .....	59.00 ea
2833	63-67	Frt Header Corner & Side Rail - Rt .....	59.00 ea
2837	63-67	Side Rear Vertical - Lt .....	55.00 ea
2838	63-67	Side Rear Vertical - Rt .....	55.00 ea
2844	63-67	Side Lower Vertical Extension - Lt .....	29.00 ea
2845	63-67	Side Lower Vertical Extension - Rt .....	29.00 ea
2836	63-67	Rear Bow .....	33.00 ea
2835	63-67	Rear Window Channel (around glass) .....	35.00 ea



### Coupe Body Weatherstrip Kits

2817	63	Coupe Body W/Strip Kit (Includes 2828, 2829, 2815, 2790, 2688, 2689, 2890) with Adhesive .....	209.00 kit
2703	64-67	Coupe Body Weatherstrip Kit (Includes: 2828, 2829, 2662, 2663, 2790, 2688, 2689 and 2890) with Adhesive .....	199.00 kit

### Coupe Door

2828	63-67	Door Main w/Correct Molded Corner - Lt ...	20.00 ea
2829	63-67	Door Main w/Correct Molded Corner - Rt ..	20.00 ea
2815	63	Door Auxiliaries - PAIR .....	23.50 pr
2662	64-67	Door Auxiliary - Lt .....	6.50 ea
2663	64-67	Door Auxiliary - Rt .....	6.50 ea
2698	63	Door Auxiliary W/Strip Push-In Fasteners Metal (8 pcs) .....	5.00 set
2644	64-67	Door Auxiliary W/Strip Push-In Fasteners Plastic (8 pcs) .....	5.00 set
4733	63-67	Outer Window Seal - Lt .....	10.00 ea
4734	63-67	Outer Window Seal - Rt .....	10.00 ea
8732	63-67	Outer Window Seal Screws (12) .....	3.00 set
2790	63-67	Door Opening on Roof - Lt & Rt. ....	109.00 pr
8730	63	Coupe Door Opening W/Strip on Roof Screws Set (14) .....	11.00 set
8731	64-67	Coupe Door Opening W/Strip on Roof Screws Set (14) .....	8.00 set
2688	63-67	Hinge Pillar - Lt. ....	24.00 ea
2689	63-67	Hinge Pillar - Rt .....	24.00 ea
<b>#2688 and #2689 were not used on some 1966 Corvettes</b>			
8733	63-67	Coupe Hinge Pillar Fastener Kit .....	4.00 set
2786	63-67	Vent Window Front - Lt .....	35.00 ea
2787	63-67	Vent Window Front - Rt .....	35.00 ea
2780	63-67	Vent Window Rear - Lt .....	24.00 ea
2781	63-67	Vent Window Rear - Rt .....	24.00 ea

### Windshield and Rear Window

2685	63-67	Conv. Windshield Channel .....	38.00 ea
2686	63-67	Coupe Windshield Channel .....	38.00 ea
2785	63	Coupe Rear Window Rubber Seals .....	79.00 pr

### Deck Lid & Hood

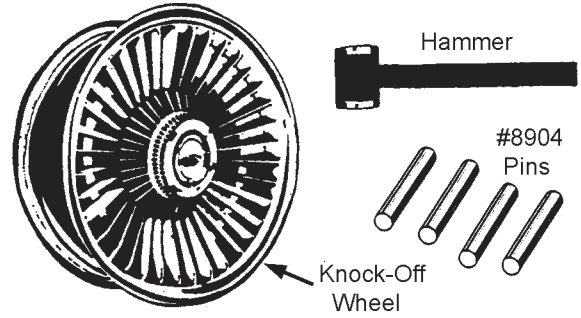
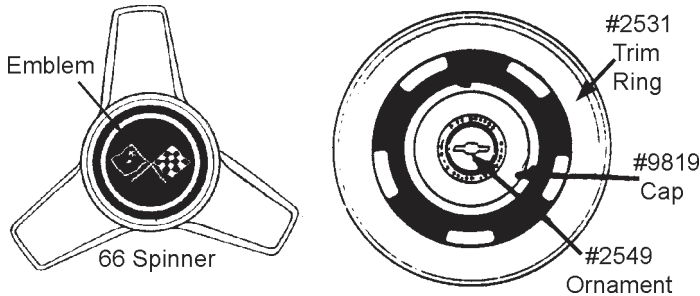
2868	63-67	Deck Lid - Correct .....	30.00 ea
2890	63-82	Hood Ledge. ....	8.50 ea
2641	63-67	Hood Rubber Bumpers - Rear .....	4.00 pr

### Miscellaneous

1302	63-67	Outer Splash Shield Seal .....	9.00 pr
2700	64-67	Inner Fender Top to Fender W/Strip Seal ..	15.00 kit
1239	All	3M Weatherstrip Adhesive - Black .....	7.95 ea
1240	All	3M Weatherstrip Adhesive - Amber .....	7.95 ea

**WHEELS & HUBCAPS**

**63-67 Hubcaps & Rally Wheel**



**63-66 Aluminum Wheel**

The following Knock-Off Wheel Sets (#2520, #2521 and #2519) all include 4 Wheels with Adapters, Spinners, Stainless Steel Cones, Center Caps, Lock Pins, Lug Nuts, Lead Hammer and Instructions.

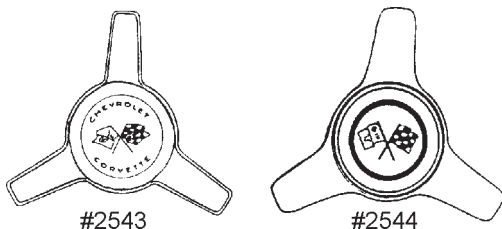
10093	65	Wheel Hubcaps, Spinners and hardware set of 4.....	449.00 set
9815	63	Hubcap Spinners (set of 4) .....	124.00 set
9641	63	Hubcap Trim Bar (6 req per wheel) .....	22.50 ea
9816	64	Hubcap Spinners (set of 4) .....	124.00 set
9817	65	Hubcap Spinner w/Emblem (set of 4) .....	149.00 set
10411	66	Hubcap Spinner and Spacer Set (8 pcs) (Spinners - imported, Spacers - US Made).....	249.00 set
6606	66	Hubcap Spinners and Spacer Set (All US Made) (8 pc set) .....	329.00 set ND
9818	66	Hubcap Spinners w/Emblem (set of 4) Excellent Foreign Repro .....	149.00 set
2540	66	Hubcap Spinner - U.S.A. Made .....	60.00 ea
2541	66	Spacer for Hubcap Spinner .....	32.00 ea
10168	65-66	Hubcap Spinner Emblems (white upper left corner) 4 pcs .....	31.50 set
10169	65-66	Hubcap Spinner Emblems (black upper left corner) 4 pcs .....	31.50 set
9820	67	Rally Wheel Caps with Disc Brake Ornament (set of 4)..Original GM .....	289.00 set ND
10032	67	Rally Wheel Caps with Disc Brake Ornament (set of 4) <b>Reproduction</b> ....	129.00 set
2530	67	Rally Wheel Cap with Disc Brake Ornament (#2549 and #9819) -CORRECT .....	80.00 ea
9819	67	Rally Wheel Cap - Less Ornament (GM) ..	65.00 ea
2549	67	Rally Wheel Disc Brake Ornament Cap CORRECT .....	18.00 ea
8808	67	Screw for Rally Wheel Center Cap Ornament - Correct (set of 4) N.O.S. ....	6.00 set
2531	67	Rally Wheel Trim Ring- GM. ....	98.75 ea
9821	67	Rally Wheel Trim Rings - Repro SS (set fo 4) .....	120.00 set
2535	63-67	Lug Nut - Standard Wheel .....	.75 ea
9832	63-67	Valve Stem Caps - Correct (Raised Dill #627 (set of 5) .....	2.95 set
10292	63-64	Wheel Lug Stud Bolt .....	1.50 ea
4179	65-67	Wheel Lug Stud Bolt .....	1.50 ea
9825	63-64	Frost Hubcap Paint - Aerosol .....	6.50 ea
2498	65-67	Hubcap & K.O. Wheel Paint - Aerosol .....	8.95 ea
2499	67	Rally Wheel Paint - Aerosol .....	7.95 ea

2520	63-64	K.O. Wheel Set Complete (set of 4) .....	1829.00 set ND
2521	65	K.O. Wheel Set Complete (set of 4) .....	1829.00 set ND
2519	66	K.O. Wheel Set Complete (set of 4) .....	1829.00 set ND
9822	63-64	K.O. Wheel (Bare) .....	359.00 ea ND
9823	65-66	K.O. Wheel (Bare) .....	359.00 ea ND
2523	63-65	K.O. Wheel Cone - Chrome .....	25.00 ea
2571	63-65	K.O. Wheel Cone - Stainless .....	35.00 ea
2572	66	K.O. Wheel Cone - Brushed Stainless .....	35.00 ea
9824	63-66	K.O. Wheel Spinner (specify Lt or Rt) ....	105.00 ea
2511	63-66	K.O. Wheel Adapter (LH or RH) .....	97.50 ea
2551	63-66	K.O. Spinner Center Cap .....	16.00 ea
9963	63-66	K.O. Wheel Spinner Cap Puller .....	10.00 ea
6609	63-66	K.O. Wheel Lug Nut Set (20 pcs) .....	45.00 set
2534	63-66	K.O. Wheel Lug Nut (20 req) .....	3.00 ea
8904	63-66	K.O. Wheel Aluminum Lock Pins (5) .....	5.50 set
8410	63-64	Hammer for K.O. Wheels .....	40.00 ea
2536	65-66	Hammer for K.O. Wheels .....	40.00 ea
2498	65-67	Hubcap & K.O. Wheel Paint - Aerosol .....	8.95 ea

**2596 63-66 Direct Bolt Knock-Off Wheels Sets** - Looks like a Knock-Off but it bolts on instead of using a spinner to hold on the wheel. Each wheel attaches with 5 lug nuts. **Specify Year** ..... 1829.00 set ND

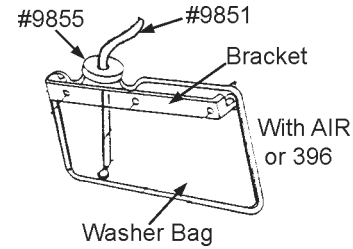
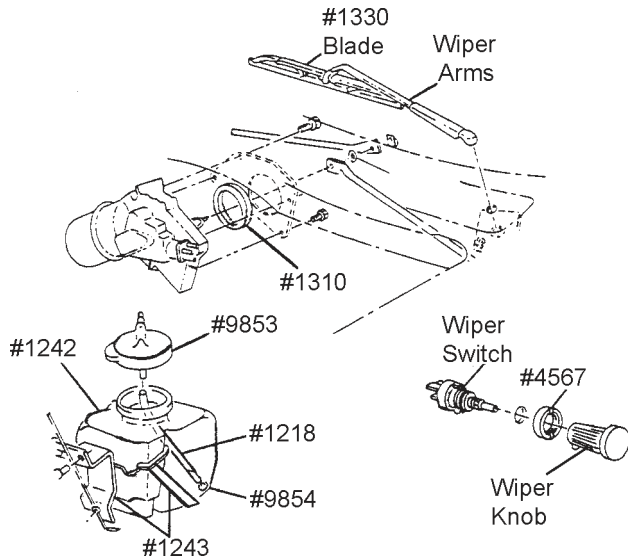
**67 Bolt-On Wheels**

2522	67	<b>Bolt-On Wheel Set Complete</b> (set of 4) - includes 4 Wheels, Starburst Centers, Starburst Mtg Clips, Center Caps, Retainer Rings, Screw Kits, Lugnuts & Instructions .....	1649.00 set ND
9834	67	Bolt-On Wheel (Bare) .....	339.00 ea ND
10409	67	Bolt-On Wheel Ornament Kit for 1 wheel Starburst, Center Cap, Ring, Screws and Clips .....	199.00 set
9827	67	Bolt On Wheel Starburst Center - Less Cap, Emblem & Hardware .....	96.00 ea
9903	67	Bolt-On Wheel Center Cap Ornament - Less Starburst .....	45.00 ea
9976	67	Bolt-On Wheel Cap Retaining Ring (1 per wheel) .....	35.00 ea
9978	67	Bolt-On Wheel Cap Retaining Ring Screws (25 pcs) .....	20.00 set
9826	67	Bolt On Wheel Center Cap Mounting Clips (4 pcs) (for one wheel) .....	16.00 set
9977	67	Bolt-On Wheel Cap Clip Screw Set (32 pcs - does one wheel) .....	8.50 set
10410	67	Bolt On Wheel Lug Nut Set (20 pcs) .....	42.00 set
9828	67	Bolt On Wheel Lug Nuts w/washer .....	3.25 ea





## WINDSHIELD & WIPER PARTS

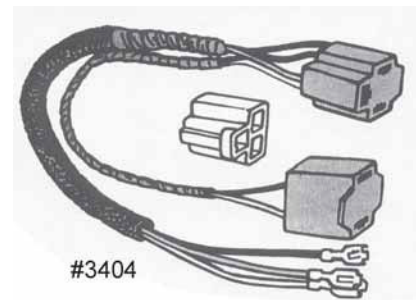


10264	63-67	Wiper Arms w/Polished Finish (have lower springshield) - S.S. ....	67.95 pr
1331	63-67	Wiper Arm w/Brushed Finish - Repl .....	67.95 pr
<b>Polished Arms used from 1963 to Feb 66 Dull Arms used Feb 66 to 67</b>			
10265	63-67	Wiper Blade w/Insert - Polished S.S. Blades They do not say Trico but do have the correct inserts with raised dots .....	42.50 pr
10266	63-67	Wiper Inserts Only w/raised dots .....	27.00 pr
1330	63-67	Wiper Blade w/Insert - Dull Finish .....	15.00 ea
9372	63-67	Wiper Push Rod Retainer .....	1.25 ea
1296	63-67	Wiper Push Rod Rubber Spacer .....	3.50 ea
1218	63-67	Washer Hose Set exc. Air. (ribbed) .....	13.50 set
9851	63-67	Washer Hose Set w/Air or 396 (ribbed) .....	13.50 set
1222	63-67	Washer Hose Grommet (2 req.) .....	1.00 ea
9854	63-67	Washer Hose Pick-Up Filter .....	3.00 ea
9856	63-67	Washer Hose "J" Clip to Firewall .....	1.50 ea
9857	66-67	Washer Hose Clip to L.H. Hood Catch .....	2.00 ea
10109	63-67	<b>Washer Bottle, Cap, Hose and Filter Kit exc. Air .....</b>	<b>11.95 kit</b>
1242	63-67	Washer Bottle exc. Air. ....	7.50 ea
1243	63-67	Washer Bottle Bracket exc. Air (Correct) ..	22.00 ea
9853	63-67	Washer Bottle Cap - Correct Repro .....	5.00 ea
5342	63-67	Washer Pump Repair Kit (White) .....	14.00 kit
1292	63-67	Windshield Washer Pump Bellows-rubber ..	16.95 ea
1305	63-67	Wiper Motor Rear Main Shaft End Cap .....	7.50 ea
1310	63-67	Wiper Motor to Firewall Seal .....	2.50 ea
10196	63-67	Wiper Motor Mounting Grommets (4 pc) ...	22.00 set
5440	65	Wiper Knob .....	19.50 ea
4563	66	Wiper Knob .....	19.50 ea
4564	67	Wiper Knob .....	19.50 ea
4567	63-67	Wiper Switch Nut .....	5.50 ea
3551	63-64	Wiper Switch .....	38.95 ea
3552	65-66	Wiper Switch .....	38.95 ea
3553	67	Wiper Switch .....	59.00 ea
1260	63-67	Wiper Transmission Shaft Covers .....	15.00 pr
10319	63-67	Washer Nozzle Assy's - correct with adjustable outlet .....	59.95 pr
1333	63-67	Washer Nozzle Assy - replacement .....	20.00 pr
1254	63-67	Washer Nozzle Gaskets .....	1.25 pr

9851	63-67	Washer Hose Set w/Air or 396 (ribbed) .....	13.50 set
1244	63-66	Washer Bag w/Cap & Hose ( fits cars w/Air & 65 396) .....	57.95 ea
1257	63-66	Washer Bag Bracket .....	19.95 ea
1256	67	Washer Bag w/Cap & Hose - with Air .....	57.95 ea
1258	67	Washer Bag Bracket .....	19.95 ea
9855	63-67	Washer Bag Cap .....	3.50 ea

See also FASTENER Section for Wiper Grill Screws.

## WIRING HARNESSES



### Main Dash Harness

3417	63	Main Harness w/o Back-Up Lights .....	403.00 ea
6914	63	Main Harness with Back-Up Lights .....	403.00 ea
3426	64	Main Harness w/o Back-Up Lights .....	403.00 ea
3424	64	Main Harness with Back-Up Lights .....	403.00 ea
3425	65	Main Harness w/o Back-Up Lights .....	403.00 ea
3422	65	Main Harness with Back-Up Lights .....	403.00 ea
3421	66	Main Harness - All .....	403.00 ea
3423	67	Main Harness - All .....	403.00 ea

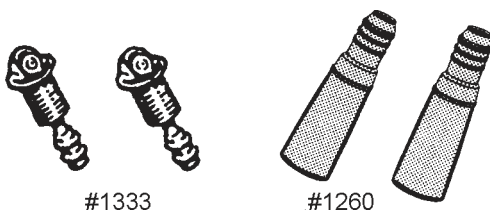
### Headlight Harness

6941	63E	Headlight Main for Fiberglass Housings .	144.00 ea
3403	63L-65	Headlight Main for Metal Housings .....	114.00 ea
3414	63E	Headlight Extension for Fiberglass Housings w/Grommets .....	52.50 pr
3404	63L-67	Headlight Extension for Metal Housings ...	36.00 pr

### Fuse Block Repair Components

Includes a new fuse block, all new buss bars and fuse clips.

6445	63	Fuse Block Repair Kit .....	104.00 ea
6446	64-66	Fuse Block Repair Kit .....	104.00 ea
6447	67	Fuse Block Repair Kit .....	104.00 ea



## WIRING HARNESS (continued)

### Ignition & Air Conditioning Harnesses

6928	63	Ignition Harness exc Air Cond. ....	144.00 ea
3405	63	Ignition Harness w/Air Conditioning .....	165.00 ea
3442	64-65	Ignition Harness Sm Blk exc Air or F.I. ...	144.00 ea
3406	64-65	Ignition Harness w/ Air Conditioning .....	165.00 ea
3444	64-65	Ignition Harness with F.I. ....	155.00 ea
3488	65	Ignition Harness 396 w/o Air .....	149.00 ea
3446	66	Ignition Harness w/Forward Lamp .....	289.00 ea
3447	67	Ignition & Headlight Under Hood .....	289.00 ea
6498	63-67	Engine Harness Temp Sender Repair Kit ..	11.00 ea
3407	66	Air Conditioning Harness w/heater wiring	105.00 ea
6942	67	Air Conditioning Harness w/heater wiring	105.00 ea
3448	64-65	T.I. Auxiliary Harness w/conversion kit .	105.00 ea
3480	66-67	T.I. Auxiliary Harness w/conversion kit .	105.00 ea
6406	64-65	T. I. Conversion Kit .....	9.00 kit
10521	66-67	T. I. Conversion Kit .....	9.00 kit

**T.I. Conversion Kit** includes all terminals connectors and instructions as used by the factory to install T.I.

6324	64-67	T.I. Amp Box Extension Harness .....	36.00 ea
------	-------	--------------------------------------	----------

See Also ENGINE Section for Spark Plug Wires

### Rear Harness

6939	63	Rear with Back-Up Lights .....	182.00 ea
6938	63	Rear w/o Back-Up Lights .....	182.00 ea
3952	64	Coupe Rear w/o Back-Up Lights .....	182.00 ea
3953	64	Coupe Rear w/Back-Up Lights .....	182.00 ea
3954	64	Conv. Rear w/o Back-Up Lights .....	182.00 ea
3955	64	Conv. Rear w/Back-Up Lights .....	182.00 ea
6954	65	Coupe Rear w/o Back-Up Lights .....	182.00 ea
6956	65	Coupe Rear w/Back-Up Lights .....	182.00 ea
6955	65	Conv. Rear w/o Back-Up Lights .....	182.00 ea
6958	65	Conv. Rear w/Back-Up Lights .....	182.00 ea
6964	66	Rear - All .....	182.00 ea
3476	67	Rear - All .....	182.00 ea

### Power Window Harness

3466	63-66	Power Window Harness .....	100.00 ea
3429	67	Power Window Harness .....	100.00 ea
10583	63-67	Power Window Switch Connector w/pigtail	21.00 ea

### Wiring Diagrams

9995	63	Wiring Diagram 17" x 22" Laminated .....	13.00 ea
9996	64	Wiring Diagram 17" x 22" Laminated .....	13.00 ea
9997	65	Wiring Diagram 17" x 22" Laminated .....	13.00 ea
9998	66	Wiring Diagram 17" x 22" Laminated .....	13.00 ea
9999	67	Wiring Diagram 17" x 22" Laminated .....	13.00 ea

### Radio Ground Strap Sets

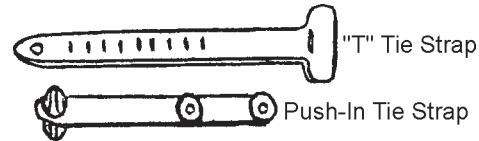
1443	63	Radio Ground Strap Set w/o Side Exhaust	30.00 set
1444	63-66	Radio Ground Strap Set w/Side Exhaust ...	25.00 set
1445	64-66	Radio Ground Strap Set w/o Side Exhaust	25.00 set
1439	67	Radio Ground Strap Set w/Side Exhaust ...	18.00 set
1440	67	Radio Ground Strap Set w/o Side Exhaust.	24.00 set

Ground Strap Sets are the most CORRECT available

**WIRE HARNESS DISCOUNT OFFER - 10 % DISCOUNT off the Purchase of \$500.00 worth of wiring harnesses for one particular year of Corvette. One single order- No Accumulations.**

## Miscellaneous Wiring & Related

6991	63	Ground Wire, A/C Compressor .....	11.00 ea
6992	64-67	Ground Wire, A/C Compressor .....	11.00 ea
5808	66-67	Ground Wire, A/C Condenser .....	11.00 ea
6993	64-65	Ground Wire, Voltage Regulator (Jumper)	11.00 ea
5802	64-65	Ground Wire, Voltage Regulator - Sm Blk .	11.00 ea
5803	65	Ground Wire, TI Amp Box all with Air .....	11.00 ea
6994	64-67	Heater & A/C Control Panel/Light Harness	18.00 ea
3415	67	Speed Warning Harness .....	18.00 ea
3479	65-67	Heater & AC Light Socket Holder Cover (Green Filter Lens) .....	3.50 ea



3410	63-64	Tie Strap Set, Wire Harness .....	14.00 set
3411	65-67	Tie Strap Set, Wire Harness .....	14.00 set
1912	63-67	Push-In Style Tie Strap on Inner Fender .....	1.50 ea
1917	63-64	White "T" Shaped Tie Strap 5" .....	1.75 ea
1918	65-67	Black "T" Shaped Tie Strap 5" .....	1.50 ea
3485	63-67	Tail Lamp Connector w/Pigtail .....	11.00 ea
6935	63-66	Backup Lamp Connector w/Pigtail .....	11.00 ea
2079	63-67	Tail/Stop or Backup Lamp Accordion Boot ..	9.50 ea



3398	63-67	HL Harness to Header Bar Clips-Repl (4) .	14.00 set
10307	63-67	HL Harness to Header Bar Clips - plastic coated as original (4) .....	22.00 set
3499	63-67	Wiring Harness Tape - Roll (nonstick) .....	8.00 ea
7613	63-67	Temp Wire Insulation - Correct Size .....	2.50 ea
3489	63-67	Underhood Wire Harness Clip w/Rubber Coating .....	1.50 ea
3958	63-67	Underhood Wire Harness Clip Set w/Fasteners (Non Air) - at firewall .....	11.00 set
3959	63-67	Underhood Wire Harness Clip Set w/Fasteners (w/Air) - at firewall .....	16.00 set
8190	63-65	Wire "S" Clip Set (6 small, 5 large) .....	12.00 set
8191	66-67	Wire "S" Clip Set (3 small, 6 large) .....	10.00 set
3409	63-67	Fuse Box Gasket .....	3.00 ea
6668	63-67	Alternator Wiring Harness Boot .....	3.50 ea



### Fuse & Flasher Kits

These kits include all the fuses and the flasher(s) required, along with a spare of all fuse sizes, an extra flasher, and a fuse removal tool is also included.

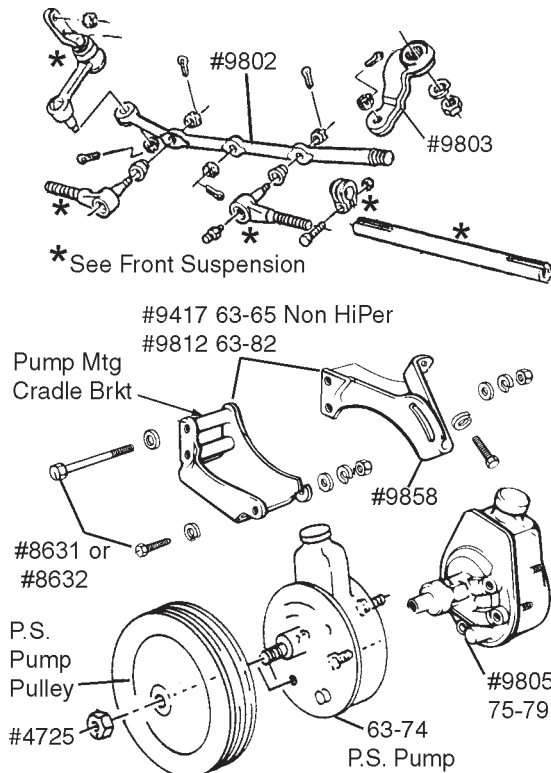
5318	63	Fuse & Flasher Kit (14 pc) .....	18.00 kit
6912	64-66	Fuse & Flasher Kit (17 pc) .....	18.00 kit
6913	67	Fuse & Flasher Kit (16 pc) .....	18.00 kit
5809	63-67	<b>Correct Color Coded FUSE Sets - OEM</b> with correct color stripes (set of 8) <b>Specify Year</b> .....	11.00 set

### Light Bulb Kits

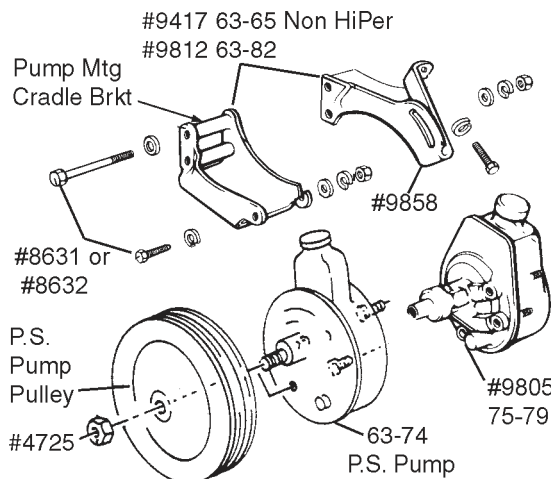
These kits replace all interior & exterior light bulbs (except headlights) and include instructions on the location of each bulb.

6996	63	Light Bulb Kit (32 pcs) .....	21.00 kit
6997	64	Light Bulb Kit (33 pcs) .....	21.00 kit
6998	65-66	Light Bulb Kit (36 pcs) .....	22.00 kit
6999	67	Light Bulb Kit (36 pcs) .....	22.00 kit

## 63-82 Power Steering Components

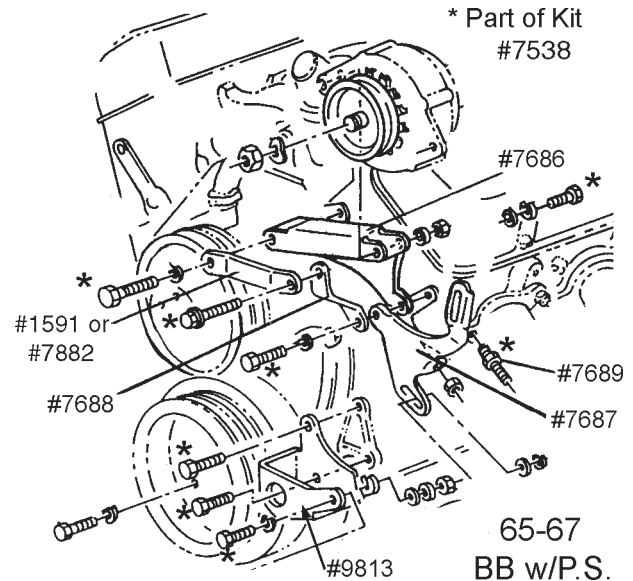


\* See Front Suspension



<b>9802</b>	<b>63-82</b>	<b>Steering Relay Rod w/P.S.</b> .....	<b>149.00 ea</b>
<b>9803</b>	<b>63-82</b>	<b>Pitman Arm w/P.S.</b> .....	<b>54.95 ea</b>
9804	63-74	P.S. Pump Rebuilt - Less Pulley (+ \$70.00 Refundable Core Charge) Exchange .....	79.95 ea ND
9805	75-79	P.S. Pump Rebuilt - Less Pulley (+ \$70.00 Refundable Core Charge) Exchange .....	79.95 ea ND
9806	80-82	P.S. Pump Rebuilt - Less Pulley (+ \$70.00 Refundable Core Charge) Exchange .....	79.95 ea ND
9362	63-82	P.S. Pump Seal Kit .....	15.00 kit
9807	63-82	P.S. Pump Cap-round repl. ....	6.50 ea
9808	63-74	Power Steering Pump Pulley (Single Groove - Stamped Steel) #3770509 - Exact Repro 63-67 250-300 All, 63-67 350 w/air, 68 327 exc 350 no air, 69-74 350 w/Air ...	57.50 ea
9675	63-74	Power Steering Pump Pulley (Single Groove <b>Fits same as #9808 - Replacement</b> .....	47.00 ea
9809	65-74	Power Steering Pump Pulley (Single Groove - Cast) Fits 65-68 327/350HP no air & 69-74 350 no Air .....	94.00 ea
9810	66-74	427, 454 Power Steering Pump Pulley (2 Groove Cast) .....	104.00 ea
4725	63-74	Power Steering Pump Pulley Nut .....	2.50 ea
9811	75-82	Power Steering Pump Pulley .....	39.00 ea
9417	63-65	P.S.Pump Bracket Set (#9858 & #9163) 327 except SpHiPerf .....	39.00 kit
9812	63-82	P.S. Pump Bracket Set (#9858 & #9864) 63-65 327 w/SpHiPerf, 66-82 all SB .....	42.00 kit
9858	63-82	PS Pump Adjusting Bracket - SB .....	22.00 ea
9163	63-65	PS Pump Cradle Bracket - 327 except SpHiPerf .....	24.00 ea
9864	63-82	PS Pump Cradle Bracket - 63-65 327 with SpHiPerf and 66-82 All SB .....	26.00 ea
8631	63-65	PS Pump Brkts to Engine Block Bolt Kit (3 bolts, nuts and washers) 327 exc SpHiPerf .....	5.50 set
8632	63-82	P.S. Pump Brkts to Engine Block Bolt Kit (2 long bolts, 1 short bolt, nuts & washers 63-65 327 w/SpHiPerf, 66-82 All SB .....	5.50 set

## Big Block Power Steering Brackets



\* Part of Kit #7538

65-67 BB w/P.S.

<b>7530</b>	<b>65-69</b>	<b>396/427 P.S. and Alternator Bracket Kit (9813, 7686, 7687, 7688, 1591 and 7538) .....</b>	<b>179.00 set ND</b>
<b>7531</b>	<b>70-74</b>	<b>454 P.S. and Alternator Bracket Kit (9813, 7686, 7687, 7688, 7882 &amp; 7538) .....</b>	<b>179.00 set ND</b>
9813	65-74	P.S. Pump Mounting Bracket to Block .....	47.00 ea
7686	65-74	Alternator Mtg. Bracket BB w/P.S. ....	52.00 ea
7687	65-74	Alternator Adjusting and P.S. Pump Mtg. Bracket - BB .....	64.00 ea
7688	65-74	Alt. Mount Brace - Lower .....	14.00 ea
1591	65-69	Alt. Mount Brace - Upper .....	14.00 ea
7882	70-74	Alt Adjusting Brace - Upper .....	10.00 ea
<b>7538</b>	<b>65-74</b>	<b>396/427/454 P.S. and Alternator Bracket Bolt Kit (23 pcs) bolts and stud for alt bracket to head &amp; PS brkt to block .....</b>	<b>17.00 set</b>
7689	65-74	Stud - for P.S. & Alt. Adjusting Bracket to Exhaust Mainfold .....	4.50 ea



## 63-82 Power Steering Conversion Kits

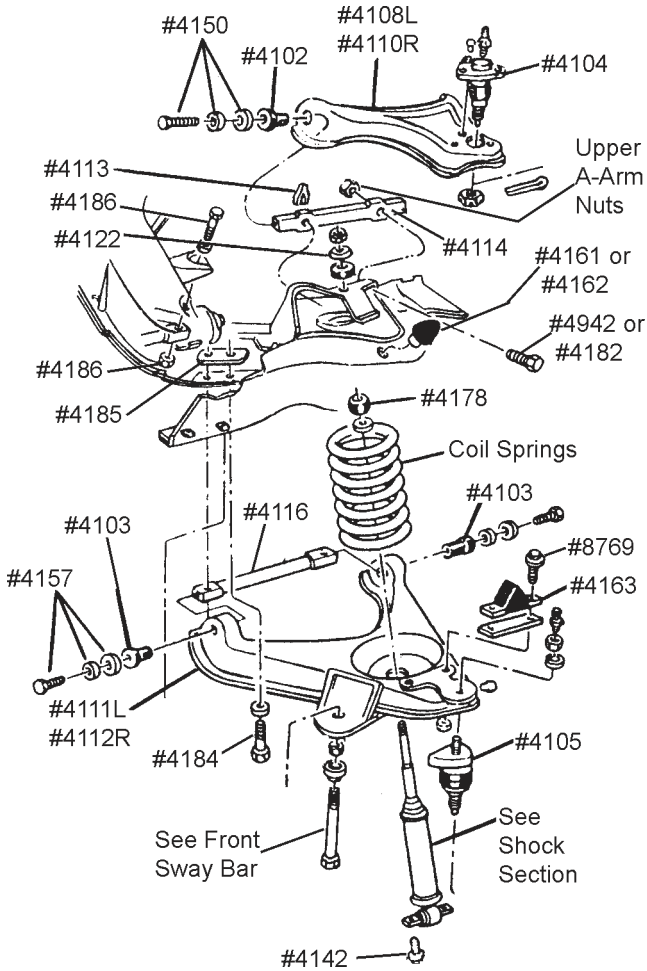
Kit Contains: Four (4) New Hoses, Pitman Arm, Center Link, Pump Brackets, Slave Cylinder Support, Pump & Cap, Slave Cylinder, Control Valve, Correct Pump Pulley, Mounting Hardware and Instructions. Big Block Kit contains 3 Alternator Brackets. Kits Do Not Contain Engine Pulleys or Belts.  
**"Will not work with 6 Quart Oil Pan"**

9800	63-74	Small Block Kit - Base Engine .....	699.00 kit ND
10324	63-74	Small Block Kit - HiPerf .....	699.00 kit ND
10325	75-79	Small Block Kit .....	799.00 kit ND
9801	65-69	Big Block Kit .....	869.00 kit ND
10326	70-74	Big Block Kit .....	869.00 kit ND

See also ENGINE & COOLING Sections for Pulleys.



# 63-82 Front Suspension 123



## A-Arms & Related

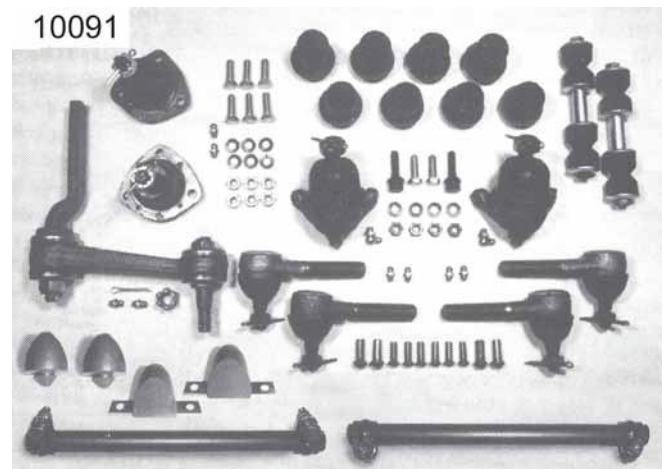
4108	63-82	Upper A-Arm w/Ball Joint - Lt NEW	209.00 ea
4110	63-82	Upper A-Arm w/Ball Joint - Rt NEW	209.00 ea
4114	63-82	Upper A-Arm "OFFSET" Shaft Kit with Bushings (used for increased camber adjustment)	39.00 ea
4102	63-82	Upper A-Arm Shaft Bushings (4 pcs)	16.00 set
<b>10180</b>	<b>63-82</b>	<b>Upper &amp; Lower A-Arm Shaft Bushings - now with OEM style upper bushings with 3/16" rubber exposed</b>	<b>48.00 set</b>
4104	63-82	Upper Ball Joint	24.00 ea
4101	63-82	Upper Ball Joint Rivets (6 pcs)	2.50 set
10328	63-82	Upper Ball Joint Rivets (threaded type rivet) car set	15.00 set
4150	63-82	Upper Shaft Bushing End Bolt & Washer Kit (does both sides)	9.50 set
4942	63-67	Upper A-Arm Bolts, 7/16 - 20 Thd	13.00 set
4146	63-65	Upper A-Arm Alignment Nuts & Lockwashers (4 pr), 7/16 - 20 Thd	3.50 set
4943	66-67	Upper A-Arm Alignment Nuts (4 pcs) 7/16 - 20 Thd	3.00 set
4182	68-82	Upper A-Arm Bolt, 7/16 - 14 Thd	3.00 ea
4183	68-82	Upper A-Arm Alignment Nuts (4pcs) 7/16 - 14 Thd	3.00 set
4161	63-75	Upper A-Arm Bumper	4.00 ea
4162	76-82	Upper A-Arm Bumper	4.00 ea
4113	63-82	A-Arm Shim Kit (both sides) - 28 pcs	15.50 kit
4111	63-82	Lower A-Arm w/Ball Joint - Lt	279.00 ea
4112	63-82	Lower A-Arm w/Ball Joint - Rt	279.00 ea
4116	63-82	Lower A-Arm Shaft Kit w/Bushings -	59.00 ea
4103	63-82	Lower A-Arm Shaft Bushings (4 pcs)	16.00 set
4105	63-82	Lower Ball Joint	24.00 ea
4106	63-82	Lower Ball Joint Rivets (4 pcs)	3.00 set
10329	63-82	Lower Ball Joint Rivets (threaded type rivet) car set	15.00 set
4157	63-82	Lwr Shaft Bushing End Bolt & Washer Kit Both sides	11.00 set
4184	63-82	Lower A-Arm Front Bolt & Lockwashers 4 of each	4.50 set
4185	63-82	Lower A-Arm Front Plate Nut	11.00 ea
4186	63-82	Lower A-Arm Rear Bolt, Special Washer and Nut (2 of each)	11.00 set
4188	63-82	Lower A-Arm Rear Nut	2.00 ea
4163	63-82	Lower A-Arm Bumper	6.50 ea
8769	63-82	Lwr A-Arm Bumper Screws & Nuts -Correct	5.50 set
4142	63-82	Front Lower Shock Bolt (4)	3.50 set
4122	63-82	Front Upper Shock Washer	2.00 pr
4178	63-82	Front Upper Shock Grommets (2 pair req)	3.50 pr
4158	63-82	Gray Shock Absorber Paint - Aerosol	6.50 ea

## FRONT SUSPENSION REBUILD KITS

All Parts Made in America

4270	63-82	<b>Basic Front End Rebuild Kit</b> (4 Ball Joints, 2 Tie Rod Ends, 8 A-Arm Shaft Bushings, 2 Stabilizer Link Kits) ..	<b>109.00 kit</b>
10088	63-82	<b>Deluxe Front End Rebuild Kit</b> (4 Ball Joints, 4 Tie Rod Ends, 8 A-Arm Shaft Bushings, 2 Sway Bar Link Kits, and 1 Idler Arm)	<b>149.00 kit LD</b>
10091	63-82	<b>Super Deluxe Front End Rebuild Kit</b> (Includes #10088 Kit plus 2 Tie Rod Sleeves w/Clamps, 2 Upper Control Arm Bumpers, 2 Lower Control Arm Bumpers and Ball Joint Rivets)	<b>199.00 kit LD</b>
4153	63-82	Tie Rod End L.H. Thread	18.00 ea
4154	63-82	Tie Rod End R.H. Thread	18.00 ea
7719	63-82	Tie Rod Sleeve w/Clamps & Bolts	27.00 ea
4155	63-82	Tie Rod Sleeve	21.50 ea
4143	63-82	Tie Rod Sleeve Clamp w/Bolt	6.00 ea
7709	63-82	Tie Rod End Boot	3.50 ea
4370	63-82	Idler Arm - Correct Shape w/Grease Fittings	49.00 ea
10538	63-82	Idler Arm Mounting Bolt & Nut Set (4 pcs)	5.50 set

For SHOCK Listings See Page 125



724-863-0410 Customer Service -- 1-800-327-0185 ORDER Line

# 124 63-82 Front Suspension



## Front Coil Springs - made to factory specifications

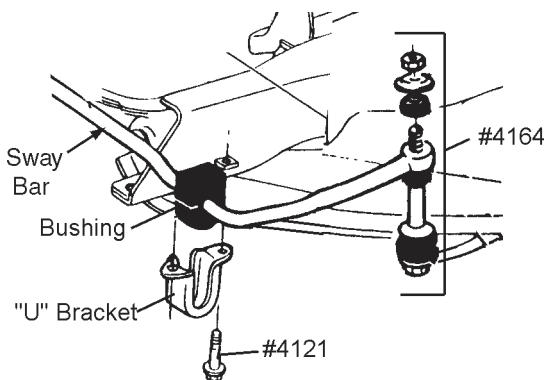
Our Springs are made to factory specs not the one size fits all type other companies sell.

4120	63	327 Front Spring Std Suspension	150.00 pr
4115	64-67	327 Front Spring Std Suspension <b>Natural Finish</b> (63 replacement)	95.00 pr
4202	64-67	327 Front Spring Std Suspension <b>Black Powder Coated</b>	95.00 pr
4125	65-67	396/427 Front Spring (No Air)	129.00 pr
4117	66-67	427 Front Spring (with Air)	129.00 pr
4118	68-74	Small Block Front Springs - GM #331316 4sp with or without air Auto no air	129.00 pr
4119	68-74	Big Block Front Springs - GM #331318 4sp with or without air Auto no air	149.00 pr

## Aluminum Coil Spring Spacers

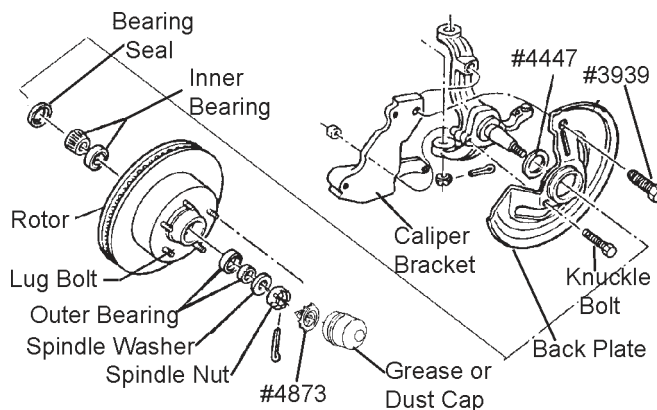
These spacers fit under the bottom of the coil springs to give your front end more height without affecting the ride. These can be used on any 63-82 Corvette.

7952	Any	3/8" Alum Spacer (gives approx 3/4" lift)	18.50 pr
7953	Any	1/2" Alum Spacer (gives approx 1" lift)	18.50 pr
7954	Any	5/8" Alum Spacer (gives approx 1 1/4" lift)	18.50 pr
7955	Any	3/4" Alum Spacer (gives approx 1 1/2" lift)	21.00 pr
7956	Any	1" Alum Spacer (gives approx 2" lift)	23.50 pr



## Front Sway Bar

4164	63-82	Front Sway Bar End Links w/Bushings (both sides)	10.00 kit
4944	63-69	Front Stabilizer Link Kit w/WB2C Head	14.95 kit
4945	70-82	Front Stabilizer Link Kit w/WB Head	14.95 kit
4137	63-67	Front Sway Bar "U" Bracket	8.50 ea
4138	68-82	Front Sway Bar "U" Bracket	7.95 ea
4121	63-82	Frt Sway Bar Brkt Bolts, Lockwashers & Nuts Correct (4 of each)	5.50 set
4165	63-67	Front Sway Bar Bushing - Std. Susp	5.50 ea
4166	63-67	Front Sway Bar Bushing - H. D. Susp	6.00 ea
4167	68-79	Front Sway Bar Bushing - (68-79 Std and 68-74 H.D.)	7.50 ea
4169	75-82	Front Sway Bar Bushing - w/H D Susp	8.75 ea

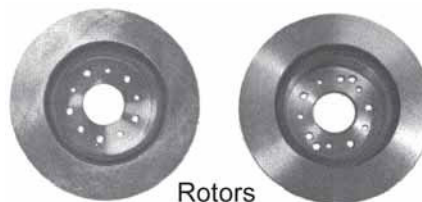


## Front Spindles, Rotors, Bearing & Backplates

4123	65-82	Front Rotor Less Hub	69.00 ea
4873	63-82	Front Wheel Static Collector in Dust Cap	17.00 ea
4109	63-68	Front Grease Cup w/Dimple	13.00 ea
4127	69-82	Front Grease Cup	6.50 ea
10292	63-64	Front Wheel Lug Stud Bolt	1.50 ea
4179	65-82	Front Wheel Lug Stud Bolt	1.50 ea
4129	63-68	Front Wheel Bearing Kit (1 Inner Bearing, 1 Outer Bearing and 1 Inner Seal) "TIMKEN"	27.95 set
4131	69-82	Front Wheel Bearing Kit (1 Inner Bearing, 1 Outer Bearing and 1 Inner Seal) "TIMKEN"	27.95 set
3702	63-68	Front Inner Wheel Bearing	15.00 ea
3704	69-82	Front Inner Wheel Bearing	13.50 ea
3703	63-68	Front Outer Wheel Bearing	13.50 ea
3705	69-82	Front Outer Wheel Bearing	13.50 ea
3711	63-68	Front Wheel Bearing Seal	7.95 ea
3712	69-82	Front Wheel Bearing Seal	7.95 ea
4132	63-68	Front Spindle Washer	2.00 ea
4180	69-82	Front Spindle Washer	5.00 ea
4133	63-68	Front Spindle Nut	3.00 ea
4181	69-82	Front Spindle Nut	5.75 ea

### Front Backplates are correct color for 65-68 but are a replacement style

6334	65-75	Front Brake Back Plate - Lt ZINC	29.00 ea
6335	65-75	Front Brake Back Plate - Rt ZINC	29.00 ea
6336	76-82	Front Brake Back Plate - Lt YELLOW Di-Chromate	29.00 ea
6337	76-82	Front Brake Back Plate - Rt YELLOW Di-Chromate	29.00 ea
3939	65-82	Front Dust Shield Upper Bolt	17.00 pr
4189	63-64	Knuckle Bolt & Nut Set (4 of each) - Repl	5.00 set
4134	65-67	Knuckle Bolt & Nut Set (4 of each) - Repl	5.00 set
4187	68-82	Knuckle Bolt & Nut Set (4 of each) - Repl	5.00 set
10034	63-68	Front Brake Back Plate Gasket	4.50 pr
4447	69-82	Front Brake Back Plate Gasket	2.50 ea
4139	65-82	Front Caliper Mtg Bracket, Lt USED	45.00 ea ND
4141	65-82	Front Caliper Mtg Bracket, Rt USED	45.00 ea ND
4524	65-82	Front & Rear Caliper Mounting Bolts and Lockwashers (8 of each)	9.00 set



Rotors

## SHOCKS



### Delco Gas Cushioned Duty Shocks

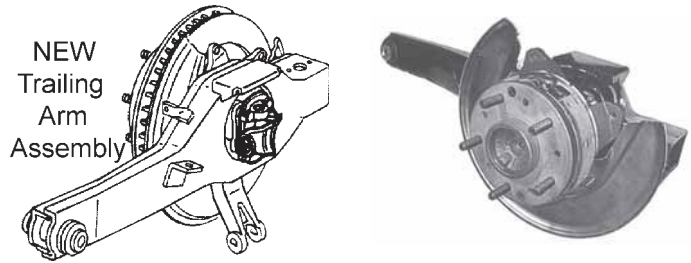
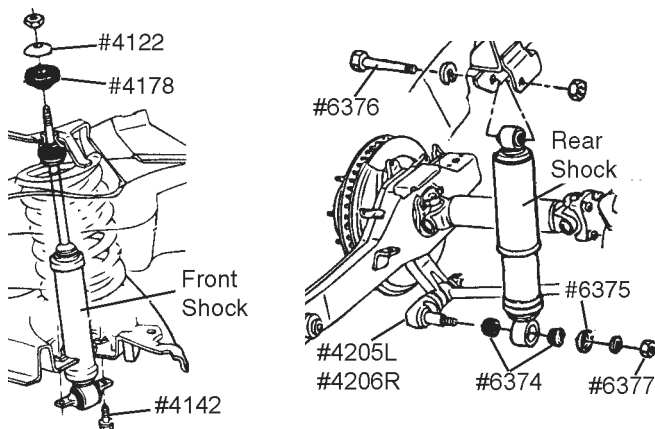
A premium quality shock that provides excellent ride control. Gas Cushioned shocks will deliver optimum ride comfort with a wider range of control than standard non-gas shock absorbers.

**Cannot be shipped overseas or by air.**

10081	63-82	Delco Gas-Cushioned Shock - Front .....	34.95 ea
10082	63-82	Delco Gas-Cushioned Shock - Rear .....	34.95 ea
10083	63-82	Delco Gas-Cushioned - Set of 4 .....	129.95 set LD

### Shock Related

4142	63-82	Front Lower Shock Bolt (4) .....	3.50 set
4122	63-82	Front Upper Shock Washer .....	2.00 pr
4178	63-82	Front Upper Shock Grommets (2 pair required) .....	3.50 pr
6376	63-82	Rear Shock Upper Mount Bolts w/Nuts and Washers (6 pcs) .....	8.00 pr
6377	63-82	Rear Shock Lower Mount Nut .....	1.75 ea
6375w	63-82	Rear Lower Cupped Shock Washer .....	1.50 ea
6374	63-82	Rear Lower Shock Grommet (2 required per shock) .....	1.50 ea
4205	63-82	Rear Lwr Shock Mount Bracket w/Nut - Lt. ....	44.95 ea
4206	63-82	Rear Lwr Shock Mount Bracket w/Nut - Rt. ....	44.95 ea
4266	63-82	Rear Lwr Shock Shaft Mtg Castle Nut .....	1.75 ea
4158	63-72	Shock Absorber Gray Spray Paint .....	6.50 can



## NEW! TRAILING ARM ASSEMBLIES with Matched Rotor & Wheel Bearing Assembly

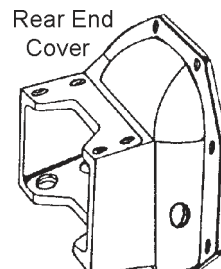
- All new factory parts
- Selectively aligned rotor
- Bolt-On Installation
- Axle flange torqued to specs

New Trailing Arm Assemblies - save time and money by installing a new trailing arm assembly with wheel bearing assembly, rotor, stainless steel parking brake kit - ready to bolt-on.

10270L	65-79	Trailing Arm Assembly - Lt.....	799.00 ea ND
10270R	65-79	Trailing Arm Assembly - Rt .....	799.00 ea ND
10271L	80-82	Trailing Arm Assembly - Lt...(Auto) .....	899.00 ea ND
10271R	80-82	Trailing Arm Assembly - Rt...(Auto) .....	899.00 ea ND
10540L	80-81	Trailing Arm Assembly - Lt...(4 sp) .....	899.00 ea ND
10540R	80-81	Trailing Arm Assembly - Rt...(4 sp) .....	899.00 ea ND



Trailing Arms  
and Related  
Page 129



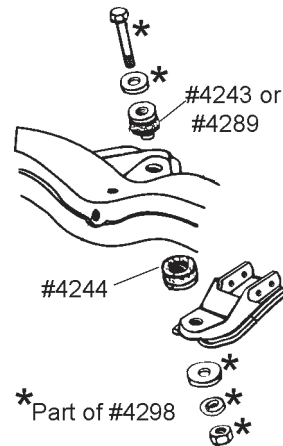
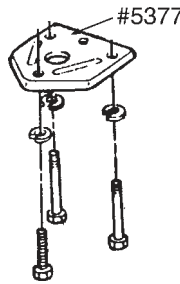
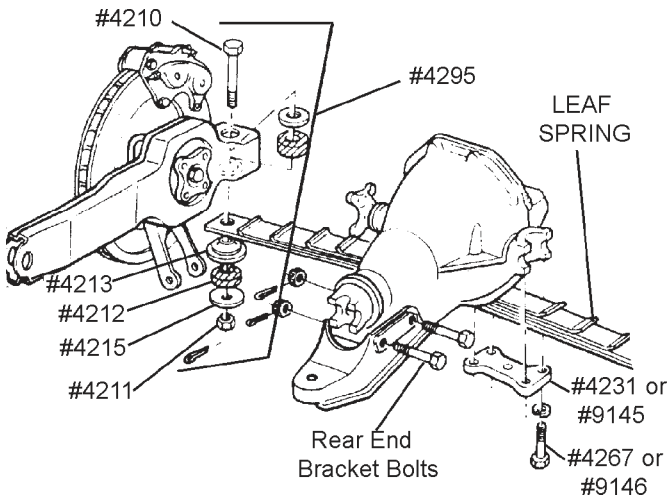
Rear End  
Cover

See Page 130



Rear Spindles  
Page 129

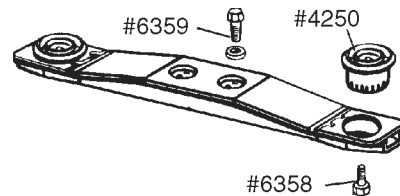
# 126 63-82 Rear Suspension



## Rear Spring, Crossmember & Related

4903	63-77	Leaf Spring Std 9 Leaf 2 1/4" Wide .....	125.00 ea
4904	63-77	Leaf Spring HD 7 Leaf 2 1/4" Wide .....	125.00 ea
4905	78-82	Leaf Spring Std 2 1/2" Wide .....	135.00 ea
5375	80-82	TRW Composite Rear Leaf Spring (340 lb Rate) with hardware .....	329.00 ea ND
5376	80-82	TRW Composite Rear Leaf Spring (355 lb Rate) with hardware .....	329.00 ea ND
4295	63-82	Rear Leaf Spring Mounting Kit - End Bolt (2), Nut (2), Cushion (4), Retainer (2), and Washer(4) Kit - (both sides) .....	34.95 set
4818	63-82	Rear Leaf Spring Mtg Kit like #4295, but Bolt is 2" longer than original .....	39.00 set
4210	63-82	Spring End Bolt - Original 6 1/2" (2 req)..	8.50 ea
4235	63-82	Spring End Bolt w/self locking nut - EXTRA Long 8 inch bolt .....	17.00 pr
4211	63-82	Spring End Bolt Nut (2 req.) .....	1.50 ea
4212	63-82	Spring End Cushion (4 req.) .....	2.00 ea
4213	63-82	Spring End Cupped Retainer (4 req.) .....	2.50 ea
4215	63-82	Spring End Washer (4 req.) .....	2.50 ea
8568	63-82	Rear Spring Center Bolt w/Nut .....	4.00 ea
4231	63-77	Rear Spring Mount Plate .....	16.00 ea
9145	78-79	Rear Spring Mount Plate .....	15.00 ea
4267	63-77	Bolt Set - for Mounting Rear Spring to Rear End Housing 9/16 - 12 X 3 1/2" Lg Set of 4 w/Lockwashers .....	10.00 set
9146	78-79	Bolt Set - for Mounting Rear Spring to Rear End Housing 7/16" X 3 1/4" Lg. ....	11.00 set
5377	80-82	Rear Spring Mount Plate .....	20.00 ea
4291	80-82	Rear Spring Mount Plate Bolt and Washer Set (6 pcs) .....	11.00 set
4292	80-82	Rear Spring Mount Plate Bolt and Washer Set Kit (6 pcs) - longer than stock for use with replacement rear leaf spring .....	11.00 set
4290	63-80	<b>Rear Leaf Spring Liner Set</b> - (63-77 All, and 78-80 with FE7 H.D.) 7pcs does a 7 or 9 leaf spring .....	42.00 set
8409	77-79	<b>Rear Spring Spacer w/FE7 Gymkhana..</b>	10.50 set
6383	63-82	Rear Spring Gray Paint - Aerosol .....	7.50 ea

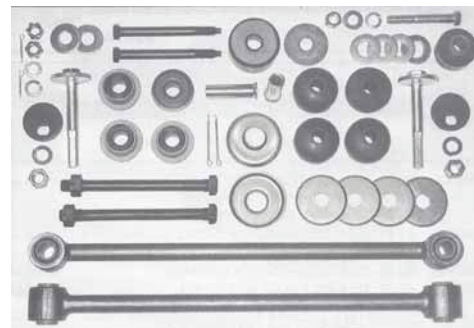
10412	63-82	<b>Rear End Front Mount Cushion and Bolt Set (#4243, 4244 and 4298) .....</b>	19.95 set
4243	63-82	Rear End Front Upper Cushion (80-82 repl)..	8.50 ea
4244	63-82	Rear End Front Lower Cushion .....	9.50 ea
4298	63-82	Rear End Front Cushion Mount Bolt, Nut and Washers (Thru Cushions) .....	3.00 ea
10413	63-79	<b>Rear End Crossmember Bushings PAIR .....</b>	129.95 pr
4250	63-79	Rear End Crossmember Bushing..	69.95 ea
6358	63-79	Rear Xmember Cushion to Frame Bolt Kit .....	2.25 pr
6359	63-79	Rear Xmember to Diff Carrier Bolt Kit .....	4.50 set
4927	63-64	Rear End Mount Bracket Bolt Kit .....	7.00 set
4920	65-68	Rear End Mount Bracket Bolts, Nuts, Washers and cotter pin (68 4sp) .....	12.00 set
4249	68-79	Rear End Mount Bracket "TR"Bolts - thru type only w/nut & pin (68 Auto) .....	17.00 set



## Rear Suspension Bushing Kits

Kits include Rear Spring Mounting Kit, Upper & Lower Rear End Mount Cushions, Differential Bolt Set, Trailing Arm Bolt Set, 2 Cam Assemblies, 2 Trailing Arm Retainers, 2 Strut Rods w/Bushings, 4 Trailing Arm Bushings, 4 Trailing Arm Bushing Sleeves.

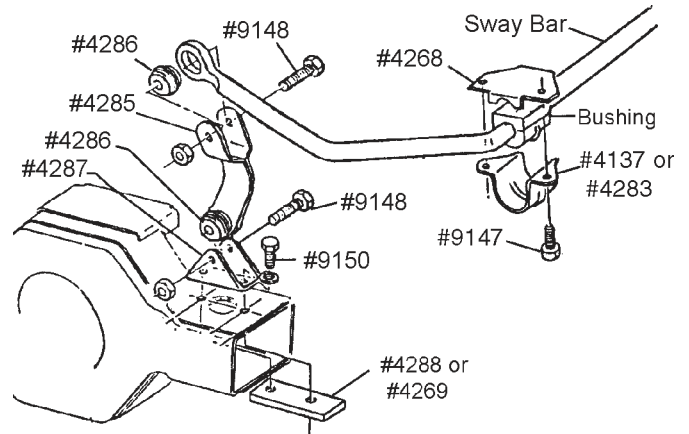
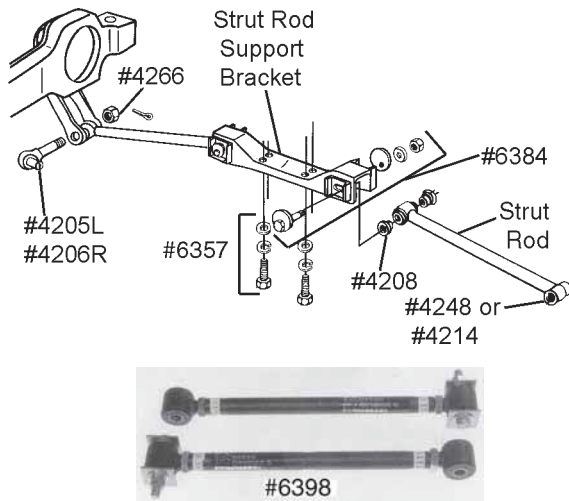
10535	63-74	Bushing Kit - includes correct strut rods .	169.00 kit LD
10536	63-79	Bushing Kit - includes heavy duty strut rods .....	169.00 kit LD
10537	80-82	Bushing Kit .....	169.00 kit LD



**REAR END and REAR AXLE See Page 130**

**724-863-0410 Customer Service -- 1-800-327-0185 ORDER Line**





## Strut Rod & Shock Mount

4224	63-74	Strut Rod w/Bushings ( with correct 1 1/4" O.D. bushings) .....	47.00 ea
4207	75-79	Strut Rod w/Bushings (with correct 1 3/8" O.D. bushings) .....	47.00 ea
6381	80-82	Strut Rod w/Bushings. ....	47.00 ea
4248	63-74	Strut Rod Bushing 1 1/4" O.D. (4 req.) .....	13.50 ea
4214	75-82	Strut Rod Bushing 1 3/8" O.D. (4 req.) .....	13.50 ea
4208	63-82	Strut Rod Bushing Cap (4 req.) .....	2.00 ea
4913	63-67	Strut Rod Support Bracket Under Rear End.....USED .....	100.00 ea ND
4209	68-79	Strut Rod Support Bracket Under Rear End (Specify Year)...USED .....	50.00 ea ND
6357	63-79	Strut Rod Support Bracket Bolt Kit .....	5.50 kit
4921	80-82	Strut Rod Support Bracket Under Rear End.....USED .....	50.00 ea ND
6384	63-82	Camber Rod Adjusting Bolt Kit .....	11.00 ea
10450	63	Camber Rod Adjusting Bolt Kit - Correct ..	29.00 ea
10451	64-67	Camber Rod Adjusting Bolt Kit - Correct ..	25.00 ea
6376	63-82	Rear Shock Upper Mount Bolts w/Nuts and Washers (6 pcs) .....	8.00 set
6377	63-82	Rear Shock Lower Mount Nut .....	1.75 ea
6375	63-82	Rear Lower Cupped Shock Washer .....	1.50 ea
6374	63-82	Rear Lower Shock Grommet (2 per shock) .	1.50 ea
4205	63-82	Rear Lwr Shock Mount Bracket w/Nut - Lt	44.95 ea
4206	63-82	Rear Lwr Shock Mount Bracket w/Nut - Rt	44.95 ea
4266	63-82	Rear Lwr Shock Brkt Castle Nut .....	1.75 ea
6368	63-82	Shock Bolt Remover (Knocker) Tool .....	17.95 ea
4158	63-72	Shock Absorber Gray Spray Paint .....	6.50 can
6398	63-79	<b>ADJUSTABLE Strut Rods</b> - adjustable threaded rod ends, poly bushings, all mounting hardware - eliminates the use of original camber bolts .....	119.00 pr

## Rear Sway Bar

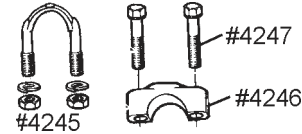
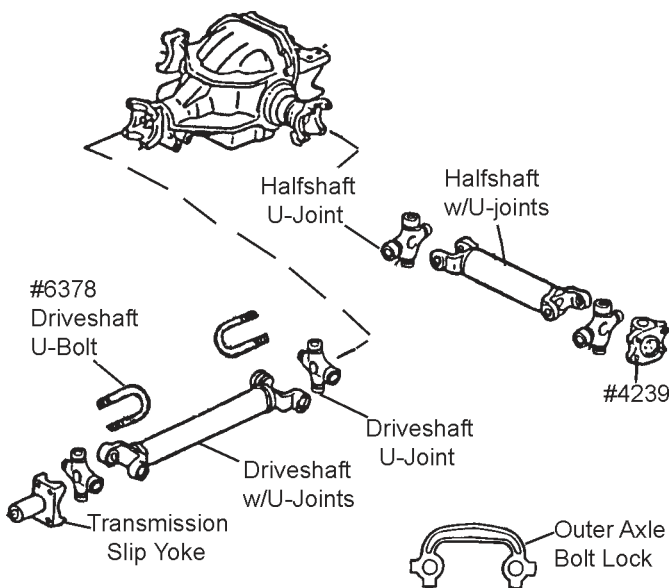
9106	65-82	<b>Rear Sway Bar Link Kit (includes 4288 (2) 9148, 4287 (2), 4286 (4), 4285 (2), 9150 does both sides) .....</b>	<b>59.95 set</b>
4280	65-67	Rear Sway Bar to Frame Bushing .....	7.00 ea
4282	68-74	Rear Sway Bar to Frame Bushing .....	7.00 ea
4284	75-82	Rear Sway Bar to Frame Bushing .....	7.00 ea
4137	65-67	Rear Sway Bar to Frame Bushing Brkt .....	8.50 ea
4283	68-82	Rear Sway Bar to Frame Bracket. ....	6.50 ea
9147	65-82	Rear Sway Bar to Frame Brkt Bolts Correct .....	5.00 set
4268	65-67	Rear Sway Bar to Frame Bushing Shim Plate (2 req.) .....	5.50 ea
4285	65-82	Rear Sway Bar Link (2 req) .....	9.50 ea
9148	65-82	Rear Sway Bar Link Bolts & Nuts (4 of each) .....	5.00 set
4286	65-82	Rear Sway Bar Link Bushings (4 req.) .....	4.50 ea
4287	65-82	Rear Sway Bar to Control Arm Bracket (2 req) .....	7.00 ea
9150	65-82	Rear Sway Bar to Control Arm Bracket Bolts & Washers (4 of each) .....	3.50 set
4288	65-82	Rear Sway Bar to Control Arm Nut Plate (2 req.) .....	4.50 ea
4269	65-82	Rear Sway Bar to Control Arm Nut Plate Stainless Steel. ....	16.00 pr
4271	65-68	9/16" Rear Sway Bar - Exact Repr	240.00 ea

## Rear Suspension Mounting Kits

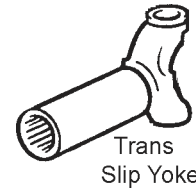
63-79 Rear Suspension Mounting Kits include: Rear Spring Mounting Kit, Rear Spring Mount Bolts, Upper and Lower Rear End Mount Cushions, Differential Carrier Bolt Set, Trailing Arm Bolt Set, Shock Bracket/Strut Arm Nuts and Clips, Differential Front Bolt Set, Differential Front Bracket Bolt Set, French Locks, French Lock Bolt Set, Spring Anchor Bolt Set, 2 Camber Bolt Assemblies, 2 Trailing Arm Cotter Pins.

8413	63-64	Rear Suspension Mounting Kit .....	129.00 kit LD
8414	65-68	Rear Suspension Mounting Kit .....	129.00 kit LD
8415	69-77	Rear Suspension Mounting Kit .....	129.00 kit LD
8416	78-79	Rear Suspension Mounting Kit .....	129.00 kit LD
8417	80-82	Rear Suspension Mounting Kit .....	129.00 kit LD





U-Joint



Trans Slip Yoke

### U-Joints - Driveshaft & Halfshaft

These are available in 3 different styles. **Use the part number + letter next to desired style when ordering.**

- Style G** : U-Joints with grease fittings ..... 16.00 ea
- Style N** : U-Joints w/o grease fittings ..... 16.00 ea
- Style H** : Hiperformance U-Joints w/o grease fittings 27.00 ea

### Driveshaft, Halfshaft , Yoke & Related

9747	63-64	Transmission Rear Slip Yoke (16 Splines) (fits 63 w/T-10, 63-64 w/Pwrglide) .....	199.00 ea
9748	63-70	Transmission Rear Slip Yoke (26 Splines) (fits 63 Muncie, 64 3sp & 4sp, 65-67 All and 68-70 3sp & 4sp) .....	199.00 ea
9179	68-81	Transmission Rear Slip Yoke (31 Splines) 68-77 Auto w/Turbo 400 71-81 4sp exc 78-79 w/M-20 4sp .....	.Inquire
9180	76-79	Transmission Rear Slip Yoke (26 Splines) 76-79 Auto w/Turbo 350 , 78-79 4sp w/M-20 Reconditioned - USED .....	.Inquire
4237	63-79	Outer Axle Flange Bolt (8 pcs) .....	9.00 set
4199	63-64	Outer Axle Bolt Lock (set of 4) .....	13.00 set
4254	65-82	Outer Axle Bolt Lock - Steel (4 pcs) .....	6.00 set
4297	65-82	Outer Axle Bolt Lock - S.S. (4 pcs) .....	10.00 set
3728	63-79	Side Yoke - Std (U-Bolt type) - New .....	119.95 ea
3729	63-79	Side Yoke - HD (threaded cap type)- New .....	119.95 ea
4246	63-79	Retainer Cap for Halfshaft U-Joint Heavy Duty Inner (4 req) .....	21.00 ea
3794	63-79	Side Yoke Snap Ring (2 req) .....	1.50 ea
10040_	80-81	4 spd SideYoke - Reconditioned - Specify Lt or Rt (Core Charge \$60) .....	109.00 ea
10041_	80-82	Auto Side Yoke - Reconditioned - Specify Lt or Rt (Core Charge \$60) .....	109.00 ea
<b>We have the right to decide if a core is rebuildable</b>			
4239	63-79	Rear Half Shaft U-Joint Flange .....	45.00 ea
9170	63-73	1/2 Shaft w/U-Joints and Flange 2 1/2" ..	139.95 ea
9171	74-79	1/2 Shaft w/U-Joints and Flange 3" .....	139.95 ea
9172	80-82	1/2 Shaft w/U-Joints - Auto 3" .....	139.95 ea
9173	80-81	1/2 Shaft w/U-Joints - Manual 3" .....	139.95 ea
9177	63-70	Driveshaft w/U-Joints - 2" (63-67 All, 68-70 4 sp) .....	139.95 ea
9178	68-79	Driveshaft w/U-Joints - 2 1/2" (68-79 TH 350/400 and 71-79 4sp) .....	149.95 ea

4238_	63-82	Halfshaft U-Joint - Specify Style Fits: 63-79 All 80-81 Manual 82 Auto	
3741_	80-82	Halfshaft U-Joint - Specify Style Fits: 80-81 Auto	
3740_	63-82	Driveshaft U-Joint - Specify Style Fits: 63-67 All 68-70 4sp 80-82 Auto	
3741_	68-82	Driveshaft U-Joint - Specify Style Fits: 68-70 Auto 71-79 All 80-81 Manual	
3750G	63-79	<b>"U" Joint - Special</b> (U-Joint Will Adapt Early Drive Shaft to Late Rear End or Vice Versa) w/grease fitting .....	25.00 ea

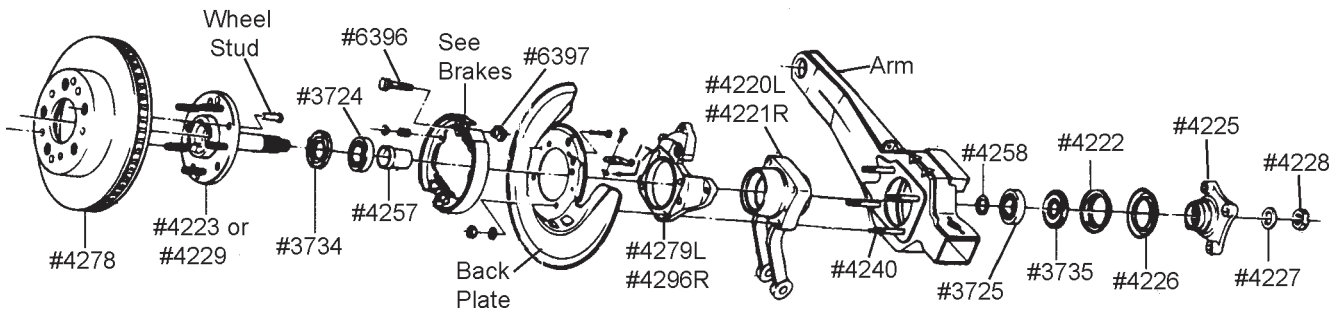
### Halfshaft U-Bolts, U-Straps, Caps & Related

4245	63-79	<b>U-Bolt</b> for Halfshaft U-Joint Inner w/washers and Nuts (4 req) .....	3.50 ea
4246	63-79	Retainer <b>Cap</b> for Halfshaft U-Joint Heavy Duty Inner (4 req) .....	21.00 ea
4247	63-79	Retainer <b>Cap Bolt</b> for Halfshaft U-Joint - Heavy Duty..(set of 8) .....	8.00 set
6339	80-81	<b>U-Strap</b> for Halfshaft U-Joint - AUTO (8 req) .....	3.75 ea
6382	80-82	<b>U-Strap</b> for Halfshaft U-Joint (80-81 4 spd and 82 Auto) .....	4.50 ea
6338	80-82	<b>Bolt</b> (5/16") for U-Strap for Halfshaft U-Joint 80-81 4sp and 82 Auto (16 req) .....	2.00 ea
6491	80-81	<b>Bolt</b> (1/4") for U-Strap for Halfshaft U-Joint Auto (16 req) .....	2.00 ea

### Driveshaft U-Bolts, U-Straps & Related

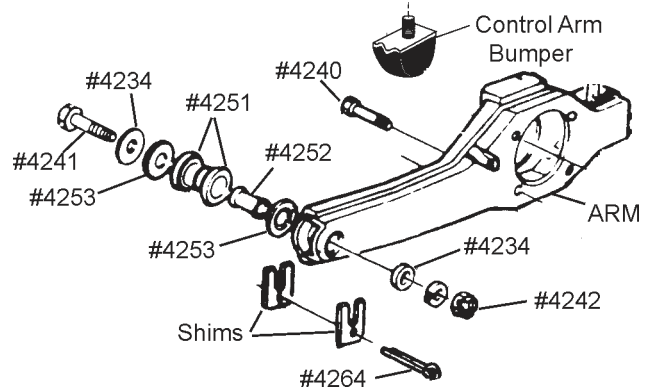
6378	63-70	<b>U-Bolt</b> for Driveshaft U-Joint (fits 63-67 all, 68-70 4sp) .....	3.75 ea
6379	68-79	<b>U-Strap</b> for Driveshaft U-Joint (fits all except 68-70 4sp) .....	2.25 ea
6339	80-82	<b>U-Strap</b> for Driveshaft U-Joint AUTO .....	3.75 ea
6379	80-81	<b>U-Strap</b> for Driveshaft U-Joint 4spd .....	2.25 ea
6380	68-82	<b>Bolt</b> for U-Strap for Driveshaft U-Joint (All except 68-70 4sp) .....	1.75 ea

# 63-82 Rear Suspension 129



## Rear Spindle/Trailing Arm

4278	65-82	Rear Brake Rotor	69.00 ea
4223	63-65	Rear Spindle, Case Hardened, (except Disc Brakes) - NEW	129.95 ea
4229	65-82	Rear Spindle, Case Hardened - NEW	129.95 ea
10292	63-64	Rear Wheel Stud Bolt	1.50 ea
4179	65-82	Rear Wheel Stud Bolt	1.50 ea
6396	65-82	Parking Brake Bolts	6.00 ea
6397	65-82	Parking Brake Bolt Locks	3.00 ea
4445	65-75	Rear Brake Back Plate - Lt. ZINC	29.00 ea
4446	65-75	Rear Brake Back Plate - Rt. ZINC	29.00 ea
6340	76-82	Rear Brake Back Plate - Lt. YELLOW Zinc	29.00 ea
6341	76-82	Rear Brake Back Plate - Rt. YELLOW Zinc	29.00 ea
6323	65-82	Parking Brake Shoe Anchor (mounts in rear brake shield)	15.00 ea
4279	65-82	Rr Brake Caliper Mount Bracket - Lt	82.50 ea
4296	65-82	Rr Brake Caliper Mount Bracket - Rt	82.50 ea
4524	65-82	Front & Rear Caliper Mtg. Bolt - 8pcs.	9.00 set
4220	63-82	Rear Spindle Bearing Support - Lt.	129.00 ea
4221	63-82	Rear Spindle Bearing Support - Rt.	129.00 ea
4222	63-82	Dust Shield on Bearing Support	4.50 ea
4226	63-79	Dust Shield on Spindle Flange	3.50 ea
4225	63-79	Spindle Flange - NEW	75.00 ea
10330	63-79	Spindle Flange - Greasable	98.50 ea
4227	63-82	Spindle Washer	5.50 ea
4228	63-82	Spindle Nut	3.00 ea
6367	63-82	Spindle Remover (Knocker) Tool	18.95 ea

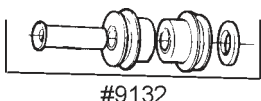


## Rear Axle Bearings, Spacers and Shims

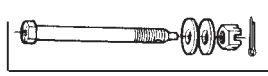
3707	63-82	Rear Axle Bearing and Seal Kit - one axle	39.00 kit
3724	63-82	Rear Axle Outer Bearing	16.00 ea
3734	63-82	Rear Axle Outer Bearing Seal	6.50 ea
4257	63-82	Rear Axle Bearing Spacer (crush sleeve)	13.50 ea
3725	63-82	Rear Axle Inner Bearing	19.50 ea
3735	63-82	Rear Axle Inner Bearing Seal	6.50 ea
6373	63-82	Rear Axle Bearing Spacer & Shim Kit 9 shims & 2 spacers (does both sides)	41.95 kit
4258	63-82	Rear Axle Bearing Shim (specify thickness .097, .103, .109, .115, .121, .127, .133, .139, .145)	3.00 ea
6372	63-82	Rear Axle Bearing Set-up Tool	89.95 ea
4199	63-64	Outer Axle Bolt Lock (set of 4)	13.00 set
4254	65-82	Outer Axle Bolt Lock - Steel (4 pcs)	6.00 set
4297	65-82	Outer Axle Bolt Lock - S.S. (4 pcs)	10.00 set
4265	63-82	Rear Wheel Bearing Greaser	9.95 ea

4216	63-64	*Rear Control Arm w/Front Bushing - Lt	189.00 ea
4217	63-64	*Rear Control Arm w/Front Bushing - Rt	189.00 ea
4218	65-82	*Rear Control Arm w/Front Bushing - Lt	189.00 ea
4219	65-82	*Rear Control Arm w/Front Bushing - Rt	189.00 ea
4262	63-82	*Note: 63-82 Rear Control Arms are Correct & Black Powder Coated Control Arm Front Bolt Kit (2 bolts, 2 nuts, 4 washers, 2 cotter pins) both sides	9.95 kit
4241	63-82	Control Arm to Frame Bolt (2 req)	4.95 ea
4234	63-82	Control Arm to Frame Washer (4 req)	.75 ea
4242	63-82	Control Arm to Frame Castle Nut (2 req)	1.25 ea
9132	63-82	Control Arm Front Bushing Kit (2 bushings, 2 washers, 1 sleeve) does one arm	19.95 kit
4251	63-82	Control Arm Front Bushing (4 req)	9.50 ea
4252	63-82	Control Arm Front Sleeve (2 req)	6.00 ea
4253	63-82	Control Arm Front Washer (4 req)	1.50 ea
9135	63-82	Control Arm Shim Kit - Zinc (4) 1/8", (4) 1/4", (8) 1/32" - shims with one slotted end	29.00 kit
9136	63-82	Control Arm Shim Kit - Stainless (4) 1/4", (4) 1/8", (8) 1/32" - shims with one slotted end	35.00 kit
9139	63-69	Control Arm Shim Kit - Stainless (4) 1/4", (6) 1/8", (4) 1/32", (4) 1/64 - shims without slotted end	38.00 kit
4260	63-82	Control Arm 1/4" Shim - ZINC	2.50 ea
4261	63-82	Control Arm 1/8" Shim - ZINC	2.50 ea
4263	63-82	Control Arm 1/32" Shim - ZINC	2.50 ea
4272	63-82	Control Arm 1/4" Shim - Stainless	3.00 ea
4273	63-82	Control Arm 1/8" Shim - Stainless	3.00 ea
4275	63-82	Control Arm 1/32" Shim - Stainless	3.00 ea
4264	63-82	Control Arm Shim Cotter Pin S.S	2.00 ea
4274	63-64	Rear Control Arm Stud Bolt to Spindle Support (8 req) NOS GM Limited Supply	6.00 ea
4240	65-82	Rear Control Arm Stud Bolt to Spindle Support (8 req.)	2.00 ea
4233	63-82	Nut - for Part #4240 Gr.8 (8 pcs)	3.75 set
4413	65-82	Cable Guide on Trailing Arm	1.50 ea
4255	63-64	Control Arm Upper Bumpers (2) w/hardware	47.00 kit
4232	63-64	Control Arm Upper Bumper	26.00 ea
4230	65-75	Control Arm Upper Bumper	10.00 ea
4236	76-82	Control Arm Upper Bumper	15.00 ea

See TOOL Section for Spindle Bearing Set-Up Tool and Spindle Installation Tool and More



#9132



#4262 does both sides

## 80-82 REAR END

9710	80-82	Rear End Cover Gasket .....	9.00 ea
3709	80-82	Rear End Filler Plug .....	13.00 ea
9713	80-82	Pinion Seal .....	17.00 ea
5106	80-82	Rear End Pinion Front Bearing .....	19.00 ea
5112	80-82	Rear End Pinion Rear Bearing .....	24.00 ea
5124	80-82	Rear End Carrier Side Bearing (2 req) .....	26.00 ea
9714	80-82	Side Yoke Seals .....	13.00 ea
9715	80-82	Side Yoke Bearing .....	45.00 ea
10040_	80-81	4spd Side Yoke - Reconditioned (Specify Year and Lt or Rt) <b>core charge \$60</b> ....	109.00 ea
10041_	80-82	Auto Side Yoke - Reconditioned (Specify Year and Lt or Rt) <b>core charge \$60</b> ....	109.00 ea

## Rear End Lube & Posi Additive

3695	63-82	GM Positraction Additive (1 per car) .....	7.75 ea
3696	63-82	GM Rear Axle Gear Lubricant (2 per car) ....	8.75 ea

## 65-82 Gear Sets

3752	65-79	3.55 Gear Set .....	359.00 set
3753	65-79	3.70 Gear Set .....	359.00 set
3792	65-79	4.11 Gear Set. (for 3 series carrier only) .....	359.00 set
3743	65-79	Gear Installation Kit - Bearings, Seals, Gaskets, Shims & Ring Gear Bolts Specify Year .....	139.00 ea
3793	63-79	Ring Gear Bolts (10 pcs) .....	16.00 set
9711	80-82	3.55 Gear Set w/Installation Kit .....	375.00 ea ND
9712	80-82	3.70 Gear Set w/Installation Kit .....	385.00 ea ND

**Gear Installation Kit includes - Bearings, Seals, Gaskets, Shims & Ring Gear Bolts**

## 63-79 REAR END

4256	63-77	Heavy Duty Rear End Cover (for 2 1/4" wide spring and 9/16" spring bolts) .....	105.00 ea
4276	78-79	Heavy Duty Rear End Cover (for 2 1/2" wide spring and 7/16" spring bolts) .....	115.00 ea
3746	63-79	Rear End Cover Gasket .....	4.00 ea
3797	63-79	Rear End Side Yoke Bearing (outer) .....	14.00 ea
3765	63-79	Rear End Side Yoke Seal .....	7.50 ea
3728	63-79	Side Yoke - Std (U-Bolt Type) - New .....	119.95 ea
4245	63-79	Side Yoke U-Bolt w/washers & nuts -4 req .	3.50 ea
3729	63-79	Side Yoke - HD (threaded cap type), New .....	119.95 ea
4246	63-79	Retainer Cap for HD Side Yoke (4 req) ....	21.00 ea
4247	63-79	Retainer Cap Bolts for HD Side Yoke-8 pcs	8.00 set
3794	63-79	Side Yoke Snap Ring (2 req) .....	1.50 ea
5104	63-79	Rear End Carrier Side Bearing (2 req) .....	24.00 ea
5103	65-79	Rear End Pinion Front Bearing .....	27.00 ea
5102	65-79	Rear End Pinion Rear Bearing .....	26.00 ea
3762	63-79	Rear End Pinion Seal .....	8.00 ea
5251	63-79	Rear End Pinion Washer .....	6.50 ea
5252	63-79	Rear End Pinion Nut .....	7.50 ea
3726	63-79	Rear End Vent .....	4.00 ea
3714	63-64	Rear End Filler Plug w/Washer N.O.S. ....	15.00 ea
10395	63-64	Rear End Filler Plug - replacement .....	6.50 ea
3708	65-79	Rear End Filler Plug - Reconditioned .....	20.00 ea
3727	65-79	Rear End Posi Clutch Pack w/Disc .....	109.00 set
3739	65-79	Posi Spring Plate (2 req) .....	11.00 ea
3744	65-79	Posi Springs (4 pc set) .....	18.00 set
3747	65-79	Posi Cross Pin .....	27.50 ea
3748	65-79	Posi Cross Pin Lock Bolt .....	17.50 ea
3749	63-65E	Pinion Bearing Spacer - Short .....	.DISC
3751	65L-79	Pinion Bearing Spacer - Long .....	9.50 ea
3793	63-79	Ring Gear Bolts (10 pcs) .....	16.00 set

**NEW REAR TRAILING  
ARM ASSEMBLIES**  
See Page 125

**U-Joints, Driveshafts, Halfshafts,  
Flanges Etc - See Page 128**

