

COUNTAX[®]

D50-LN DIESEL & V2050D **TRACTOR**

SERVICE DRAWINGS & PARTS LISTS

JAN 2009

COUNTAX[®]

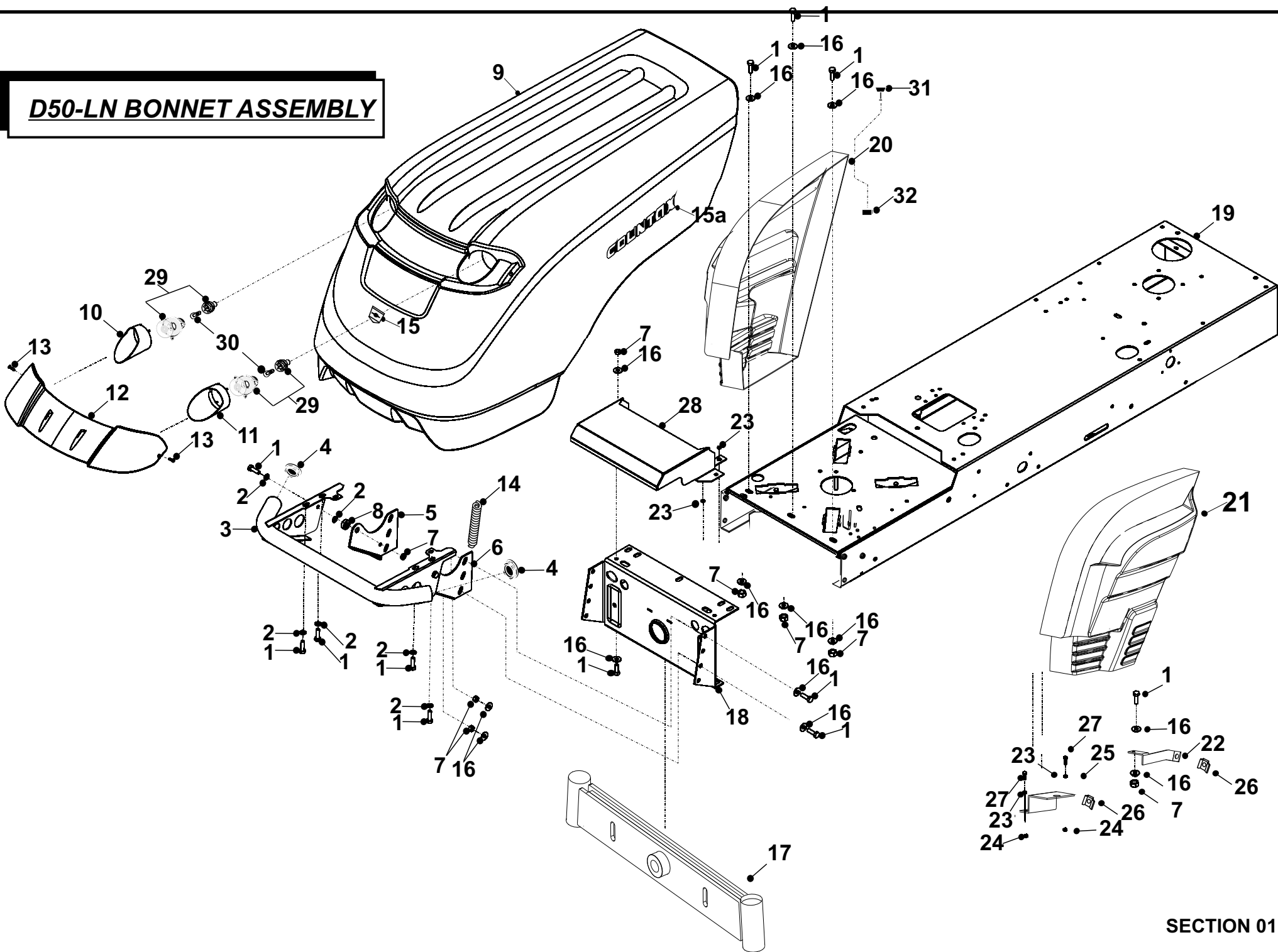
D50-LN DIESEL TRACTOR

2008

SERVICE DRAWINGS & PARTS LISTS

- SECTION 01 BONNET ASSEMBLY
- SECTION 02 CONSOL ASSEMBLY
- SECTION 03 FRONT AXLE ASSEMBLY
- SECTION 04 FRONT & REAR DECK CRADLE ASSEMBLIES
- SECTION 05 STEERING ASSEMBLY
- SECTION 06 PTO TRANSMISSION ASSEMBLY
- SECTION 07 RUNNING BOARD & REAR BODY
- SECTION 08 PEDAL ASSEMBLY
- SECTION 09 SEATBOX ASSEMBLY
- SECTION 10 SEAT ASSEMBLY
- SECTION 11 HANDBRAKE ASSEMBLY
- SECTION 12 WIRING LOOM
- SECTION 13 HYDROSTATIC TRANSMISSION ASSEMBLY
- SECTION 14 YANMAR DIESEL ENGINE ASSEMBLY
- SECTION 15 DECALS

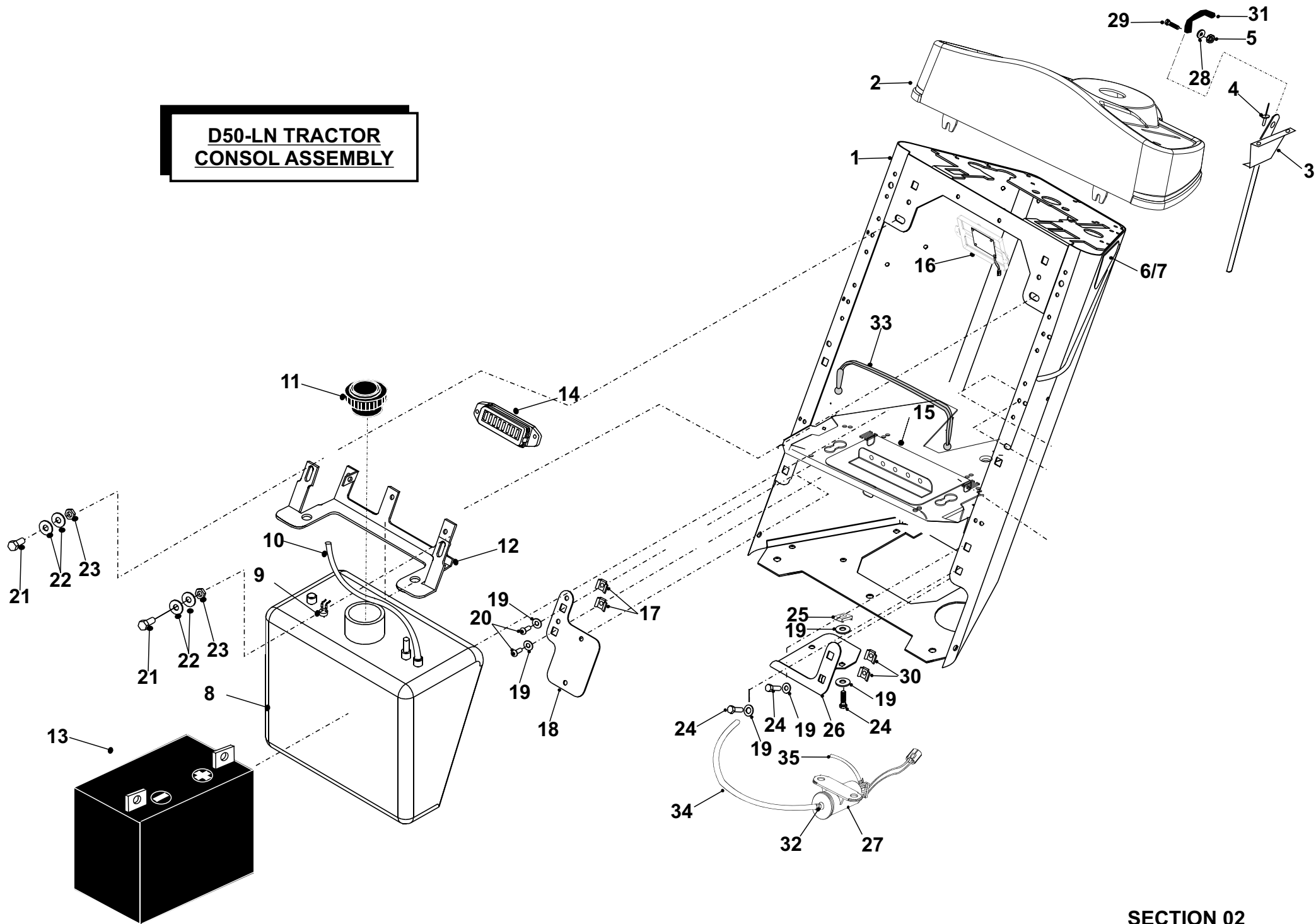
D50-LN BONNET ASSEMBLY



D50-LN BONNET ASSEMBLY
PARTS LIST

	PART DESCRIPTION	PART NUMBER
1.	Bolt M8 x 30mm	018005700
2.	M8 Washer	08819500
3.	Stainless Steel Bullbar	328956800
4.	Stainless Steel Bullbar Plastic End Cap	148014400
5.	Bonnet Bracket Side Plate RH	302015200
6.	Bonnet bracket Side Plate LH	302015300
7.	M8 Nyloc Nut	04920100
8.	Pivot Boss	183017700
9.	2003 Plastic Diesel Bonnet Rotational	148015600
10.	RH Light Can	148013600
11.	LH Light Can	148013500
12.	Bonnet Lens	148013400
13.	M4 x 16 Socket Head Countersunk Screw	018005100
14.	Bonnet Spring	25805200
15.	Countax Badge	359513400
15a	Pegged Badge `Countax' (Countax Yellow)	149499000
16	Washer M8 x 21 x 1.6mm	088003700
17.	Front Axle Beam	327179300
18.	Front Axle Plate	301052700
19.	Diesel Chassis	32956800
20.	RH Side Panel	149548800
21.	LH Side Panel	149548700
22	Side Panel Bracket	301895200
23.	M5 Washer	08911500
24.	M5 Nyloc Nut	04885900
25.	Side Panel Bracket Universal	301895600
26.	Dzus Dart Receptacle	149499900
27.	M5 x 16 mm Set Screw	02912200
28.	Diesel Exhaust Heat Shield	301059100
29.	Headlight Unit – Hella	448008400
30.	Bulb Hella 21W	448008500
31.	Dzus Wing Head Stud Black	149499800
32.	Dzus ¼ Turn Retainer Black	149500000
	Illustrations not shown	
33	Side Panel Foam LH	378003900
34	Side Panel Foam RH	378004000
35	Bonnet Foam	378000001
36	3mm Starlock Washer	08804400

**D50-LN TRACTOR
CONSOL ASSEMBLY**



D50-LN TRACTOR
CONSOL ASSEMBLY
PARTS LIST

	PARTS DESCRIPTION	PART NUMBER
1	Consol Consol V2050D	327808400 327807200
2	Consol Top Dashboard	148986100
3	Throttle Control	52913200
4	Rivet 3.2mm x 9mm	12863100
5	M4 Nyloc Nut	04826400
6	Knee Pad R/H	149551600
7	Knee Pad L/H	149551500
8	Fuel Tank	148015400
9	Fuel Level Sensor	448010601
10	Diesel Fuel Return Pipe	528004200
11	Fuel Tank Cap	52803100
12	Fuel Tank & Fuse Holder Bracket	307205800
13	Battery	458141400
14	Fuse Box Holder	301139400
15	Relay Plate Welded Assembly	32956900
16	Display PCB	449561000
17	M5 Captive Nut	04928600
18	Regulator Bracket	307196700
19	Washer ¼"	08825600
20	M6 x 20 Set Screw	018000300
21	Bolt M8 x 20mm	02825900
22	Washer M8 x 21 x 1.6mm	088003700

JUNE 2008

SECTION 02

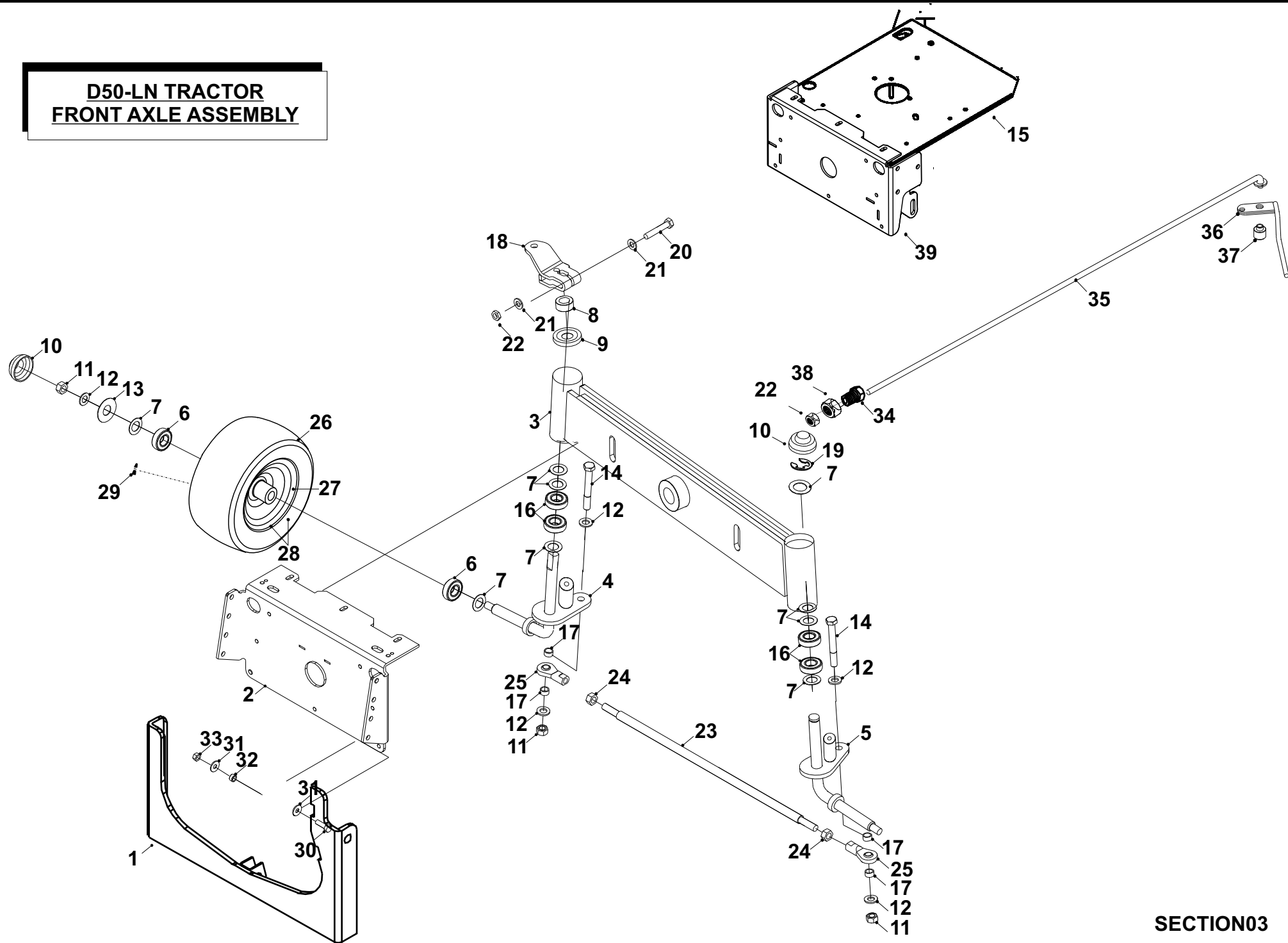
D50-LN TRACTOR
CONSOL ASSEMBLY
PARTS LIST

	PART DESCRIPTION	PART NUMBER
23	M8 Nyloc Nut	04850600
24	M6 x 16mm Set Screw	028662300
25	Nut M6 Nyloc	04920500
26	Fuel Pump Bracket	301143600
27	Fuel Pump	Yanmar Pt.No 11820052100
28	M4 Form A Washer BZP	08826200
29	Set Screw M4 x 12mm Pozipan Z/P	02826300
30	M6 Captive Nut	048000900
31	Control Knob	14810400
32	Jubilee Clip	11856900
33	Battery Strap	149499500
34	660mm Fuel Supply Pipe	529471400
35	220mm Supply Pipe	529471500

JUNE 2008

SECTION 02

**D50-LN TRACTOR
FRONT AXLE ASSEMBLY**



**D50-LN TRACTOR
FRONT AXLE ASSEMBLY PARTS LIST**

	PART DESCRIPTION	PART NUMBER
1	Deck Tension Cradle	327365700
2	Universal Front Axle Plate	307243300
3	Front Axle	327179300
4	Stub Axle R/H	327178200
5	Stub Axle L/H	327178300
6	Front Wheel Bearing	10802200
7	Washer 32 x 19.5	30127900
8	Cross Bar Spacer	31323502
9	Slinger	32121800
10	Axle Beam Hub Cap	27113900
11	M12 Nyloc Nut	049381100
12	M12 x 24 x 1.6 Washer	088003600
13	Hub Cap Washer, Front Wheel	30128100
14	Bolt M12 x 120mm	018002200
15	Chassis	32956800
16	Stub Axle Bearing	10802200
17	Steering Link Rod Spacer	183012800
18	Steering Arm	301130601
19	19mm External Circlip	07921200
20	M10 x 55 Hex Head Bolt	018002400
21	Washer 10.8 i.d. x 20.7 o.d. x 2mm Thk	088002400
22	M10 Nyloc Nut	04886100
23	M12 Track Rod	183017000
24	Nut M12	049381200
25	M12 Rod Joint	108728000
26	Front Tyre 16 x 6.50	198000600
27	Front Wheel Rim	198000700
28	Complete Front Wheel	198001400
29	Wheel Valve	14889200
30	Bolt M8 x 30mm	018005700
31	Washer M8 x 21 x 1.6	088003700
32	Spacer 7mm x 5/16"	31302800
33	M8 Nyloc Nut	04920100
34	Deck Tension Adjuster	189507400
35	Chassis Deck Tension Rod	32306300
36	Deck Tension Lever	32958300
37	Deck Height Pivot Boss	18317400
38	M16 Half Nut	049382500
39	K & D Series Chassis Front	307243200

APRIL 2007

SECTION 03

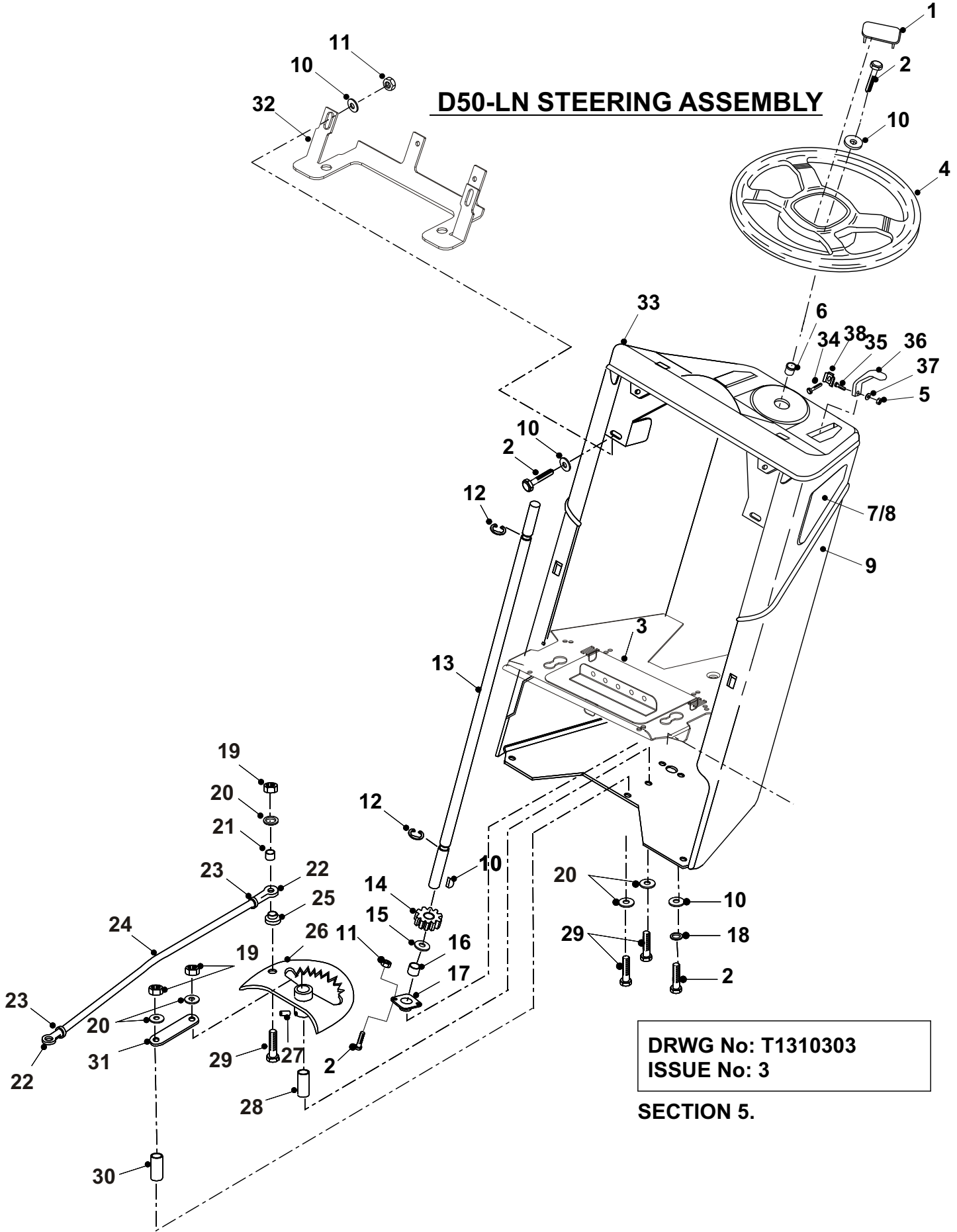
**D50-LN TRACTOR
FRONT & REAR DECK CRADLE ASSEMBLIES
PARTS LIST**

	PART DESCRIPTION	PART NUMBER
1	Chassis	327179001
2	Rear Deck Cradle	328958301
3	Deck Level Trunnion	189497500
4	M10 x 55mm Bolt	018002400
5	M10 Nyloc Nut	04886100
6	M10 Washer	088002400
7	Deck Level Rod	327015500
8	Deck Front Carry (Front)	327006800
9	Deck Swing Lift Pin	31339400
10	M8 Washer	08819500
11	RH Transaxle Mounting Bracket	301041700
12	LH Transaxle Mounting Bracket	327009300
13	Deck Lift Spring	25885300
14	M10 Half Nut	049382500
15	Deck Level Hex Head Adjustment Nut M10	189501801
16	Adjuster bracket assembly	328961400
17	Extended deck arm	30840300
18	Split Pin 1/8" x 1"	07823300
19	3/4" circlip	07823200
20	Deck Lift Link	301143200
21	M8 Nyloc Nut	04920100
22	M8 Washer	088002700
23	M8 x 30mm hex head bolt	018005700
24	M10 x 25mm Bolt	028002300
25	M10 Washer	088002400
26	M10 Nyloc Nut	04886100

DECEMBER 2006

SECTION 4

D50-LN STEERING ASSEMBLY



DRWG No: T1310303
ISSUE No: 3

SECTION 5.

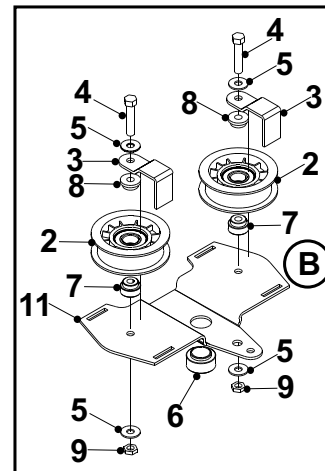
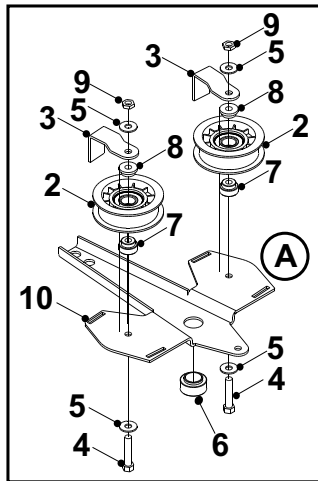
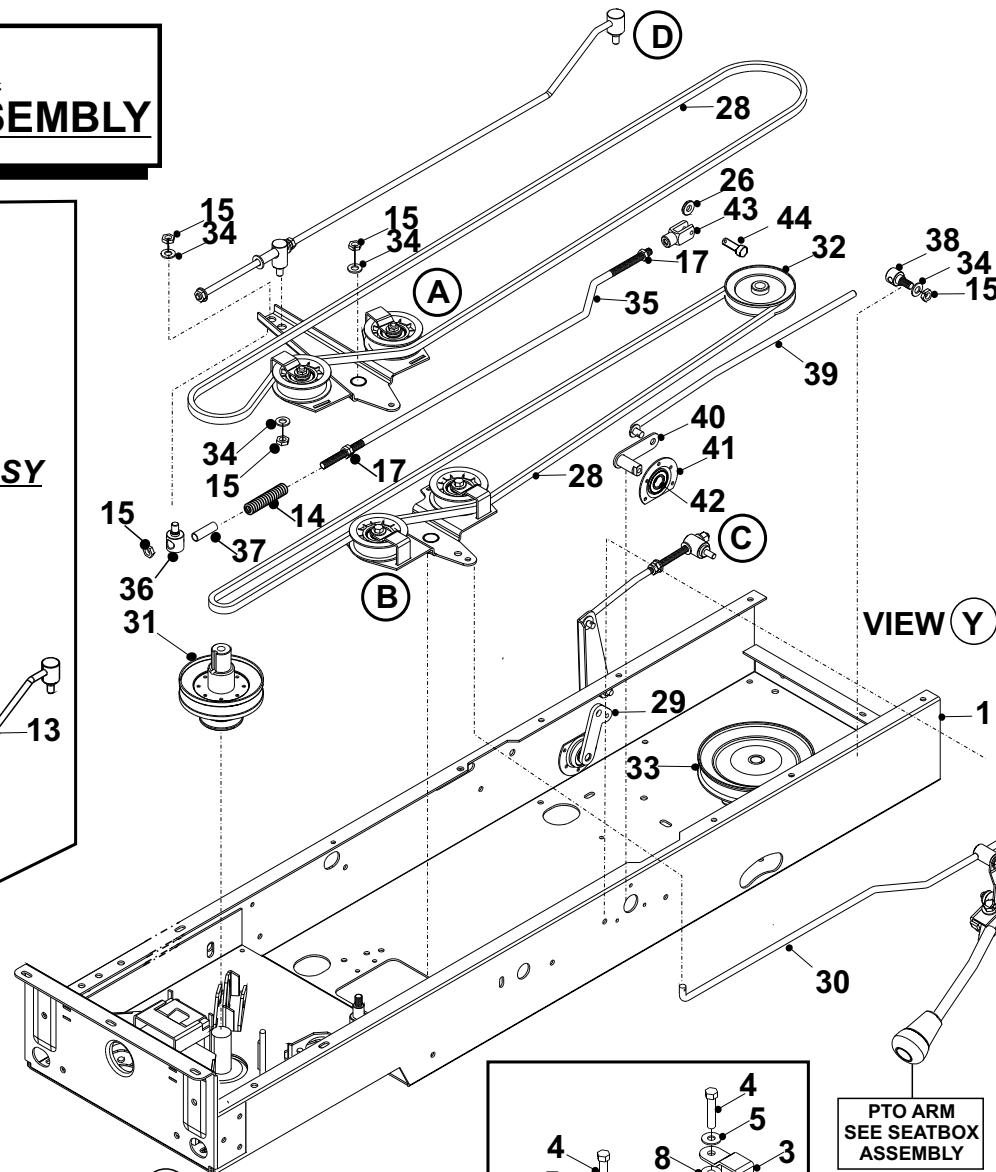
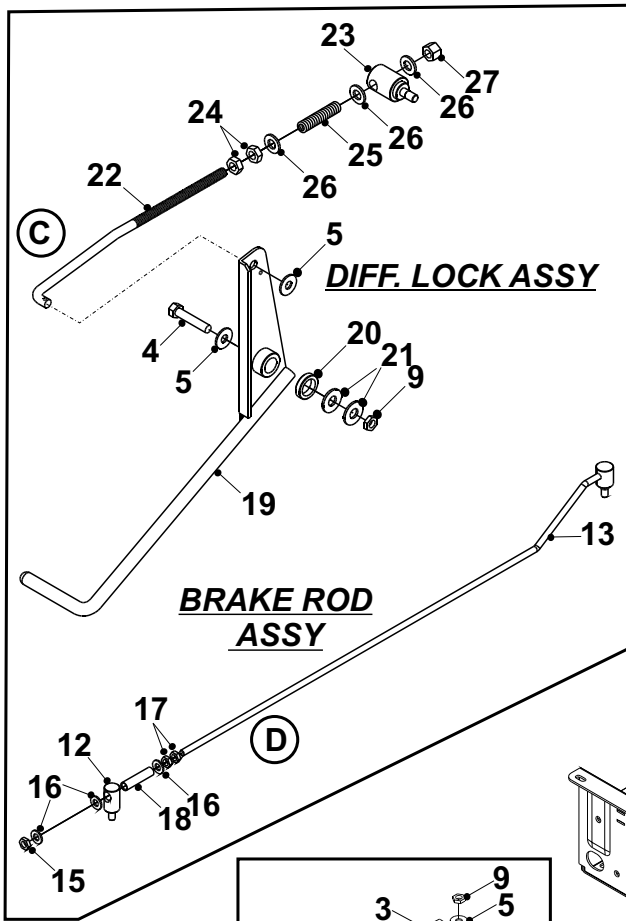
D50-LN STEERING ASSEMBLY
PARTS LIST

	PART DESCRIPTION	PART NUMBER
1.	Steering Wheel Cap	14938700
2.	M8 x 20mm Bolt	018002900
3.	Relay Plate Welded Assembly	32956900
4.	Steering Wheel	14928200
5.	M4 Nyloc Nut	04826400
6.	Column Upper Bush	14801800
7.	Rubber Knee Pad R/H	14859200
8.	Rubber Knee Pad L/H	14859300
9.	Consol Assembly	327808400
10.	M8 Washer	088003700
11.	M8 Nyloc Nut	04920100
12.	E-Clip 5/8"	07823400
13.	Steering Column	31328401
14.	Steering Gear	213112100
15.	Washer 5/8" T3 LP	08822700
16.	Steering Rod Spacer	18401500
17.	Column Lower Bearing	10801700
18.	M8 Star Washer	088000800
19.	M10 Nyloc Nut	04886100
20.	M10 Washer	088002400
21.	Spacer 3/8" Internal x 7mm	31302900
22.	Track rod End M12	108728000
23.	Locknut M12	049381200
24.	Steering Link rod	313007400
25.	Rose Joint Shoulder Boss- Short	31339600
26.	19 tooth Steering Quadrant	301134101
27.	Grease Nipple 5/16" UNF	11808600
28.	Steering Rack Pivot	31337400
29.	M10 x 65mm Bolt	018005300
30.	Steering Support Boss	31337500
31.	Steering Link Plate	27102400
32.	Fuel Tank Bracket	307187400
33.	Consol Top	148986100
34.	M5 x 10mm Button Head Black	028004100
35.	Screw M4 x 12mm Pozi Pan	02826300
36.	Control Lever Knob	14810400
37.	Washer M4	08826200
38.	M5 Cage Nut	04936800

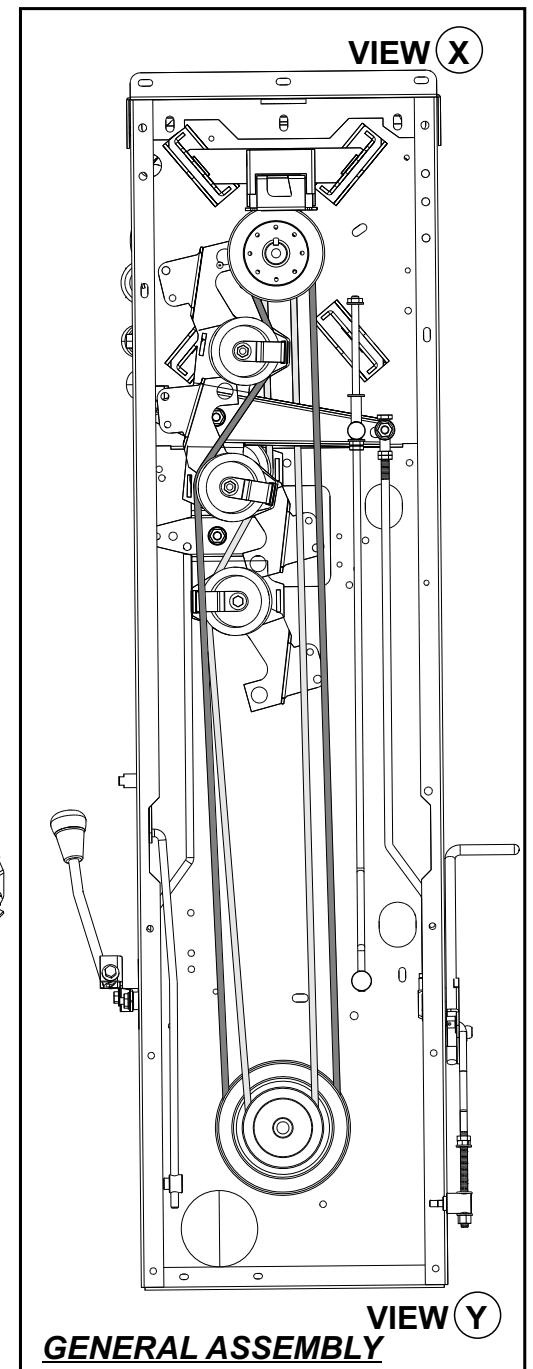
JULY 2008

SECTION 05

D50-LN TRACTOR PTO TRANSMISSION ASSEMBLY



PTO ARM
SEE SEATBOX
ASSEMBLY



D50-LN TRACTOR
PTO TRANSMISSION ASSEMBLY
PARTS LIST

	PART DESCRIPTION	PART NUMBER
1	Diesel Chassis	32956800
2	Tx PTO Jockey pulley	20811500
3	Belt Keeper	307187100
4	Bolt M8 x 45mm	02941000
5	Washer M8 x 21 x 1.6mm	088003700
6	Bearing Clutch Plate	183019500
7	Spacer Jockey Wheel	18831600
8	Sweeper Jockey Cap	31351100
9	M8 Nyloc Nut	04920100
10	Diesel Clutch Jockey Plate	307197000
11	PTO Jockey Plate	307197100
12	Jockey Trunnion	183019000
13	Brake Rod	327178903
14	Brake Rod Spring	259405100
15	M10 Nyloc nut	04886100
16	M10 Form `B` Washer plated	089420500
17	M10 Lock nut	04872100
18	Brake Rod Tube	183019100
19	Pedal Plate	321122200
20	PTO End Spacer	31306200
21	Washer M10 x 24 x 2	088004500
22	Diff Lock Control Rod	313010400
23	Diff Lock Spring Trunnion	183019800
24	M10 Half Nut	068000400
25	"Diff Lock Spring"	259405200
26	M10 Washer	088002400
27	M10 Nyloc Nut	04886100
28	Belt: Dayco Super 11 A98	228001400
29	Handbrake Bearing Link Shaft Con Plate	307196100
30	PTO Engage Rod	313010800
31	Engine Pulley	327015600
32	Hydrostatic Box Pulley	20904400
33	7"Pulley	20870700
34	Washer 10.8 i.d x 20.7 o.d x 2mm Thk	088002400
35	Handbrake Clutch Link	318955800
36	Brake Engage Rod Trunnion	187186100
37	Park Brake Engage Rod Sleeve	174008900
38	Trunnion Forward/Reverse	187186500
39	Forward/Reverse Rod	313022002

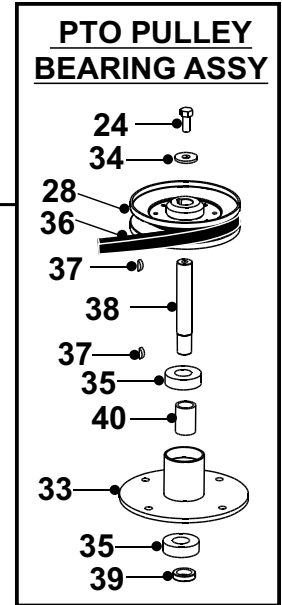
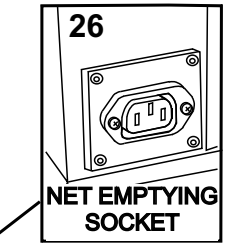
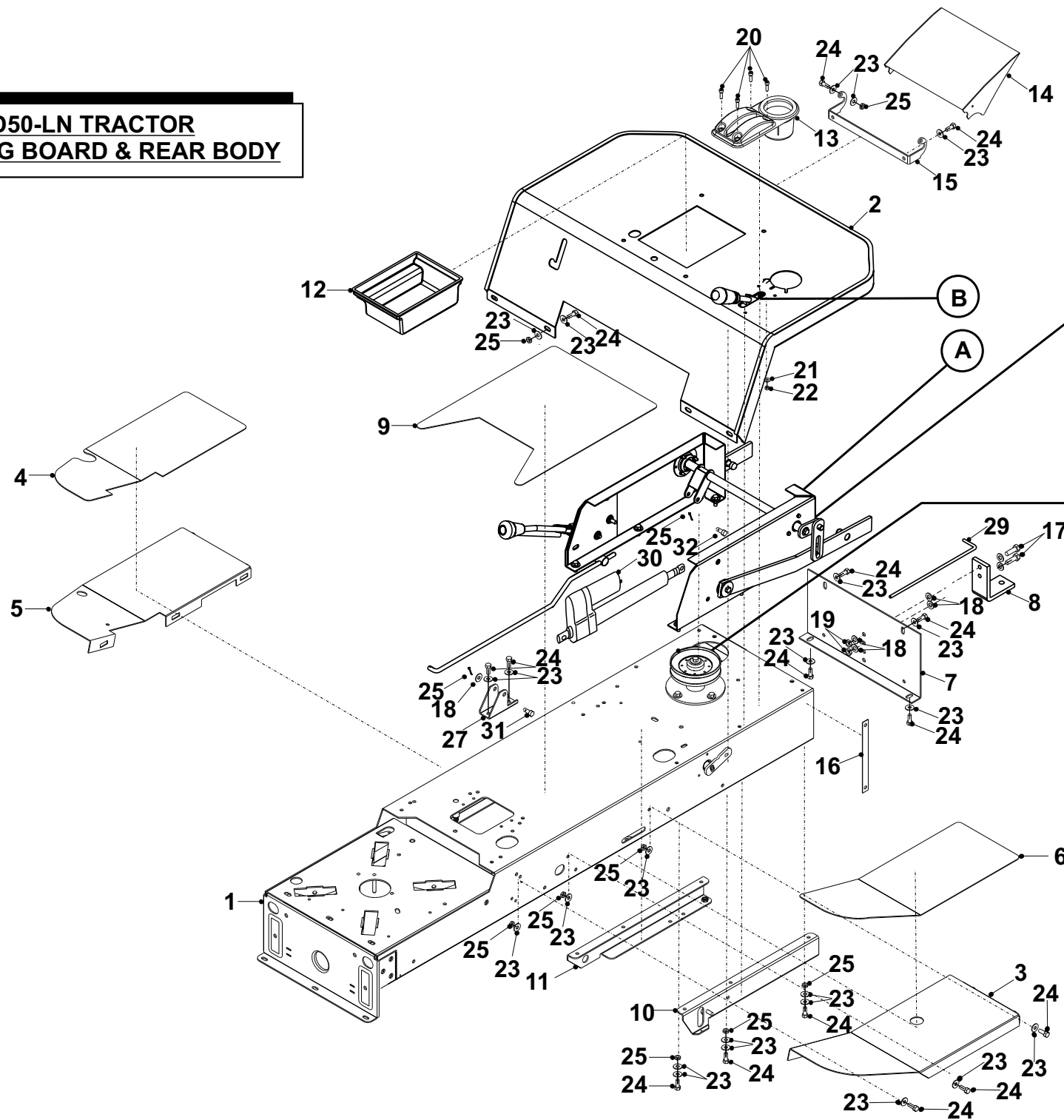
D50-LN TRACTOR
PTO TRANSMISSION ASSEMBLY
PARTS LIST

	PART DESCRIPTION	PART NUMBER
40	Brake Link Bracket	327022200
41	Cassette Bearing Housing	301048100
42	Bearing 17 x 40 mm	108728400
43	10mm x 1.5 Clevis	108000600
44	10mm Spring Pin Short	108000500

OCT 2008

SECTION 06

**D50-LN TRACTOR
RUNNING BOARD & REAR BODY**



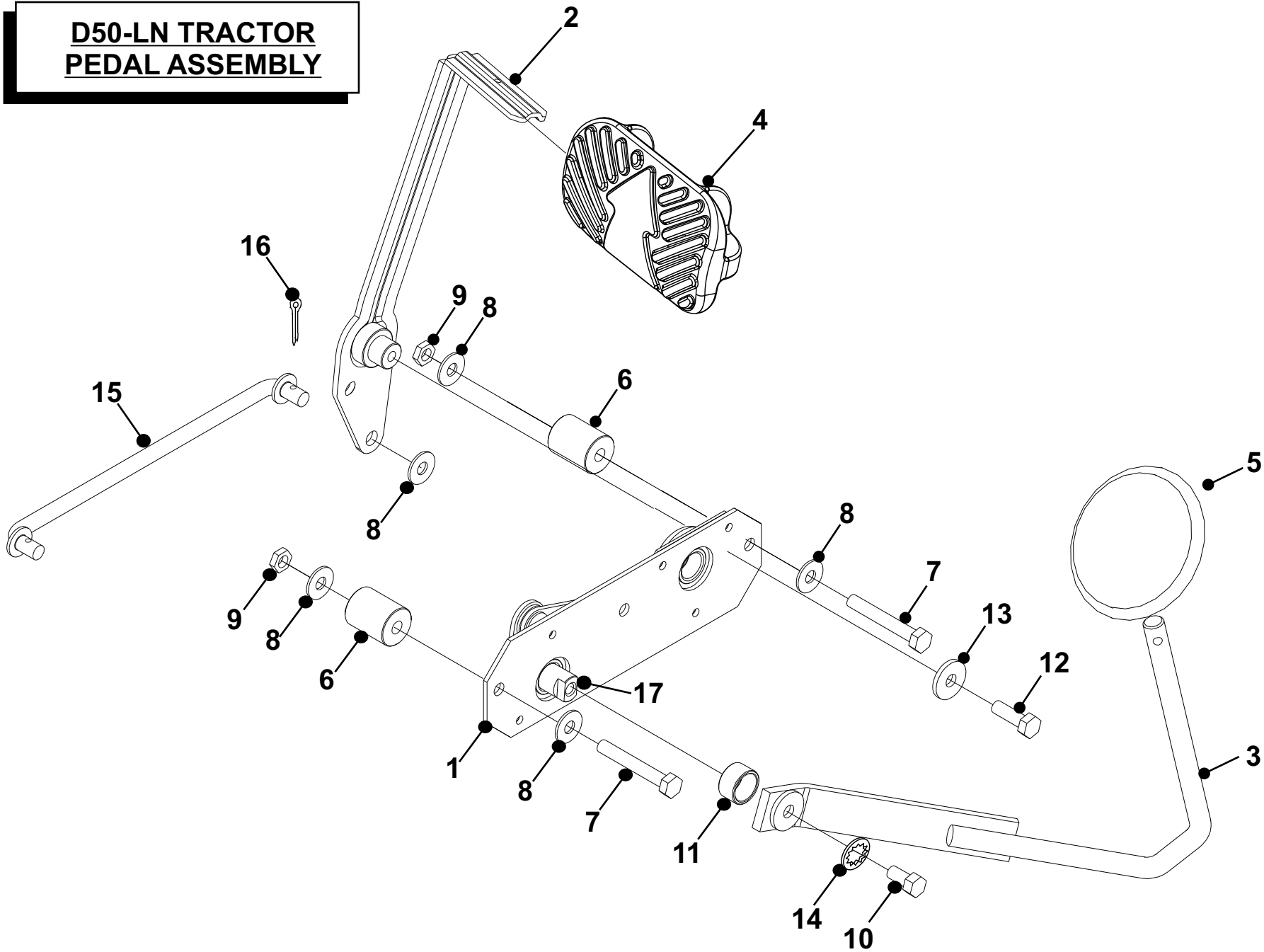
D50-LN TRACTOR
RUNNING BOARD & REAR BODY
PARTS LIST

	ASSEMBLY DESCRIPTION	SECTION No.
A	Seat Box Assembly	See Section 08
B	Handbrake Assembly	See Section 09
	PART DESCRIPTION	PART NUMBER
1	Diesel Chassis	32956800
2	Rear Body	328957100
3	LH Running Board	301054800
4	Running Board Mat R/H	148007300
5	RH Running Board	301069300
6	Running Board Mat L/H	148007200
7	Rear Chassis Panel	3010416Y0
8	Tow Bracket	29200100
9	Running Board Mat Central	148007400
10	LH Transaxle Mounting Bracket	327179600
11	RH Transaxle Mounting Bracket	327179700
12	HE Tool Tray	148003700
13	Cup Holder	148013900
14	PTO Flap	149496300
15	PTO Flap Hinge	301126000
16	Stainless Steel Wear Strip	301140300
17	Bolt M10 x 30mm	02886000
18	Washer 10.8 i.d. x 20.7 o.d.x 2mm Thk	088002400
19	M10 Nyloc Nut	04886100
20	M6 X 20 Long Socket Head Cap Screw s/c	019479400
21	1/4" T4 HP Washer	04920500
22	M6 Nyloc Nut	048001000
23	Washer M8 x 21 x 1.6	088003700
24	Bolt M8 X 20mm	02825900
25	1/8" x 1/2" Split Pin	06855200
26	Net Emptying Socket	448004300
27	Rear Lift Actuator Mounting	302005600
28	PTO pulley 5"	208000400
29	Dump Valve Lever Rod Handle	313020100
30	Actuator Warner LA10	448005800
31	10mm Actuator Pin	189504800
32	8mm Actuator Pin	189504900

D150-LN TRACTOR
RUNNING BOARD & REAR BODY
PARTS LIST

	PART DESCRIPTION	PART NUMBER
33.	PTO Bearing Housing	32700301
34.	Washer 5/16" ID 1"	08819800
35.	Bearing	10802200
36.	A98 Dayco Super 11Belt	228001400
37.	Woodruff Key	09823900
38.	PTO Shaft	183013700
39.	PTO End Spacer	31306200
40.	PTO Centre Spacer	31334800

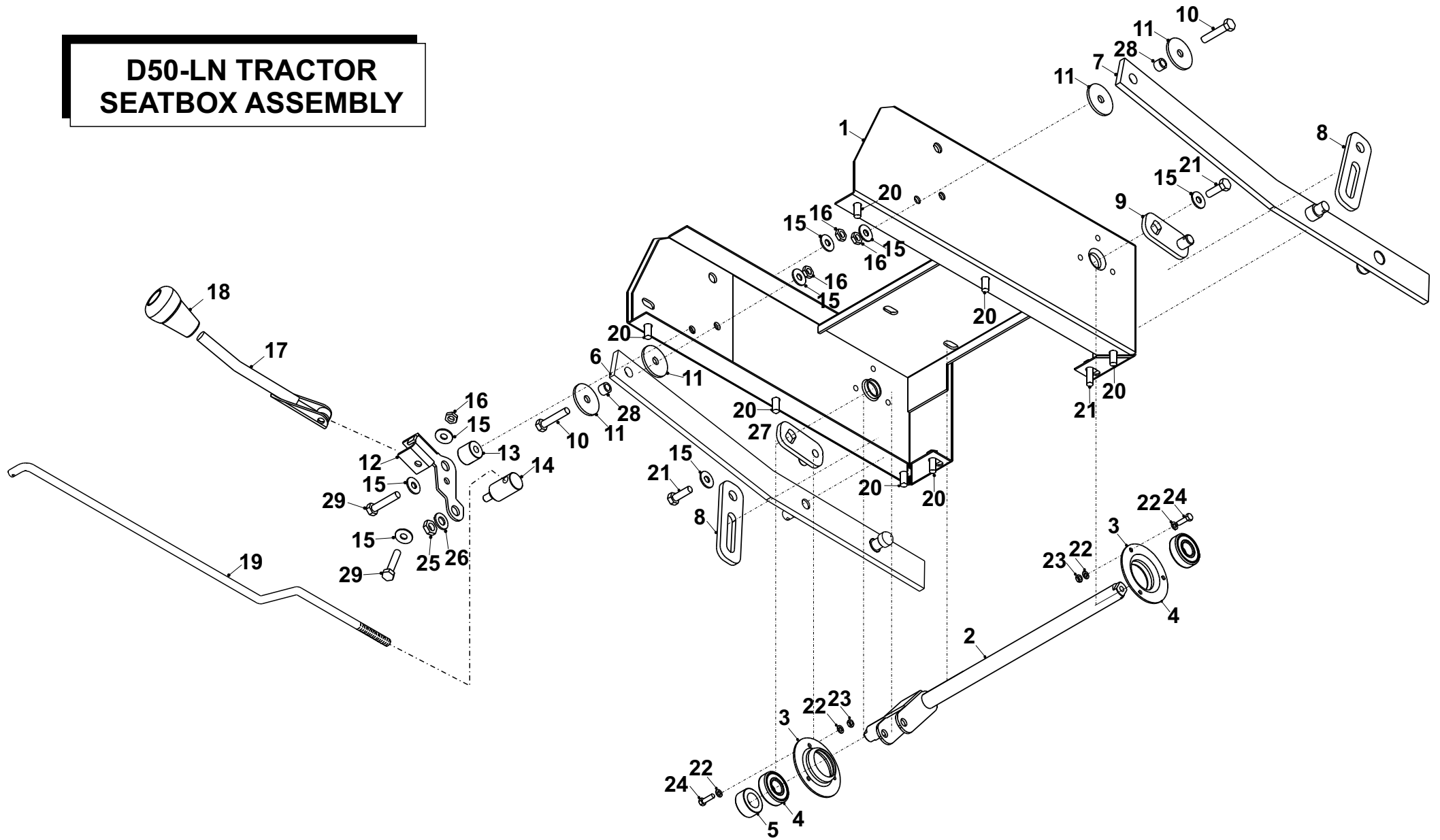
**D50-LN TRACTOR
PEDAL ASSEMBLY**



D50-LN TRACTOR
PEDAL ASSEMBLY

	PART DESCRIPTION	PART NUMBER
1	Pedal Cassette	409427400
2	Forward Pedal	327362600
3	Reverse Pedal	328958000
4	Forward Pedal Rubber Large	148013700
5	Reverse Pedal disc	183014800
6	Cassette / Chassis Spacer	187186200
7	M8 x 50mm Hex Head Bolt	018003500
8	Washer M8 x 21 x 1.6mm	088003700
9	M8 Nyloc Nut	04920100
10	M8 x 16mm M/Screw	028001000
11	Spacer	31330002
12	Bolt M8 x 25mm	02826000
13	Washer M8 x 25 x 3mm	089418600
14	M5 Nyloc Nut	04885900
15	Forward / Reverse Cassette Rod	327362701
16	Split Pin 1" x 1/8"	06823300
17	Forward / Reverse Linkage Rod	327022201

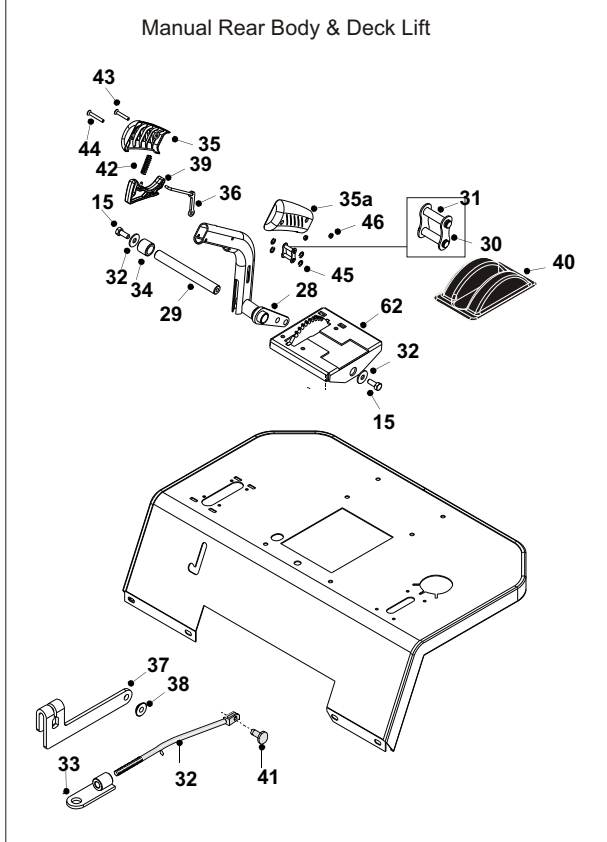
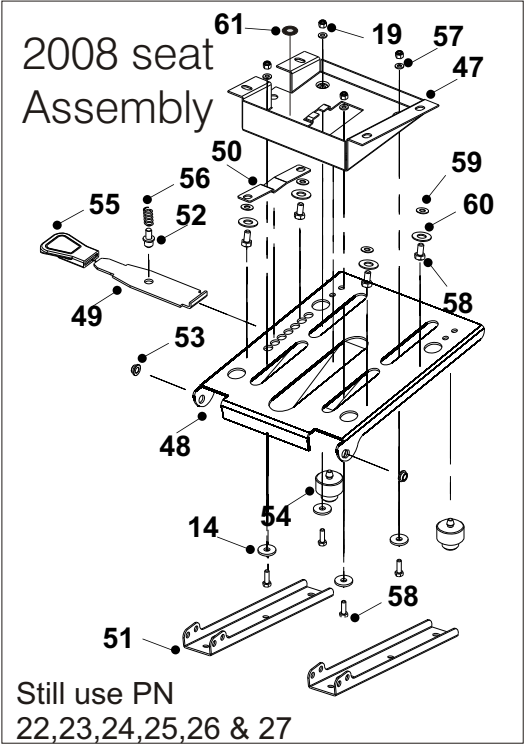
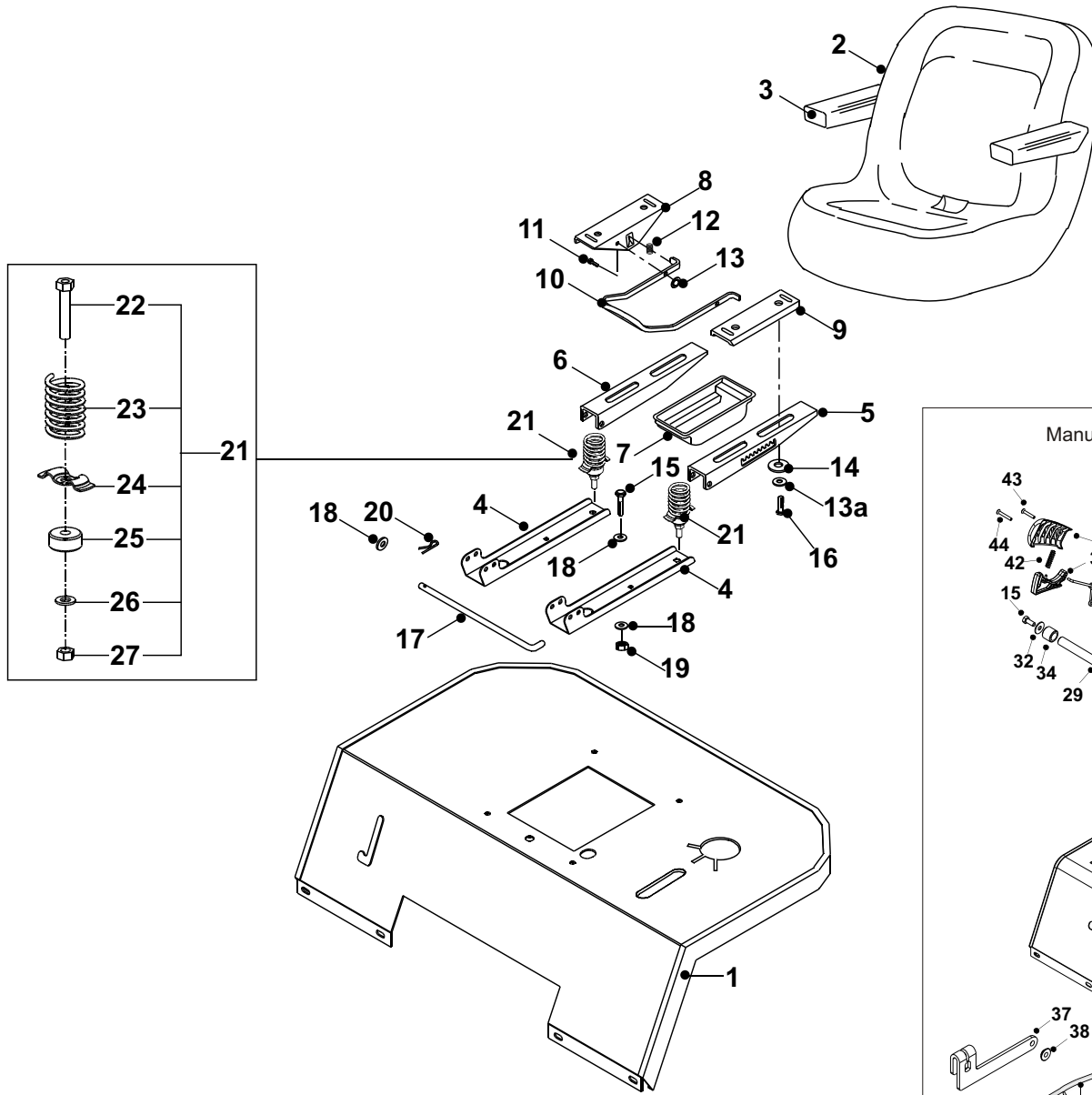
D50-LN TRACTOR SEATBOX ASSEMBLY



**D50-LN TRACTOR
SEATBOX ASSEMBLY
PARTS LIST**

	PART DESCRIPTION	PART NUMBER
01	Seat-Box	327010400
02	Sweeper Lift Bar	327009400
03	Bearing Housing 17mm	27106601
04	Bearing 6203ZZ	10845500
05	Crossbar Spacer	31323502
06	Sweeper Lift Arm R/H	32720300
07	Sweeper Lift Arm L/H	32721100
08	Deck Control Switch Plate	301133500
09	LH Lift Con Plate	327171700
10	M10 x 40mm BZP Bolt	028003400
11	M10 x 40 x 3mm Heavy Gauge Washer	08824600
12	PTO Lever Plate	30134501
13	Roller Plate Bush	31329200
14	Trunnion (PTO Engage)	18806100
15	Washer M8 x 21 x 1.6mm	088003700
16	M8 Nyloc Nut	04920100
17	PTO Engage lever	32708700
18	Lever Knob	14804800
19	PTO Engage Rod	313010800
20	Bolt M8 x 20mm	02825900
21	Bolt M8 x 25mm	02826000
22	M5 Washer	08911500
23	M5 Nyloc Nut	04885900
24	M5 x 16mm S/Screw	02912200
25	Washer 10.8 i.d x 20.7 o.d x 2mm Thk	088002400
26	M10 Nyloc Nut	04886100
27	RH Lift Con Plate	327171600
28	12.7 x 10.2 x 9mm sweeper lift Spacer	189502700
29	M8 x 40mm BZP Bolt	018003200

**D50-LN TRACTOR
SEAT & MANUAL
DECK LIFT ASSEMBLY**



D50-LN TRACTOR
SEAT ASSEMBLY
PARTS LIST

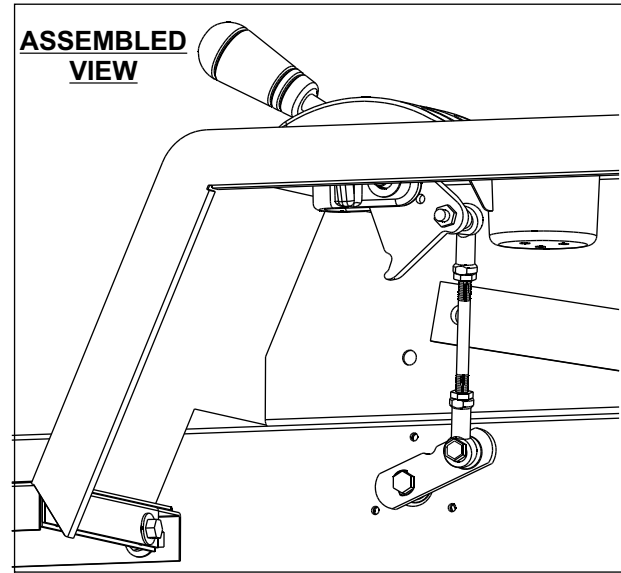
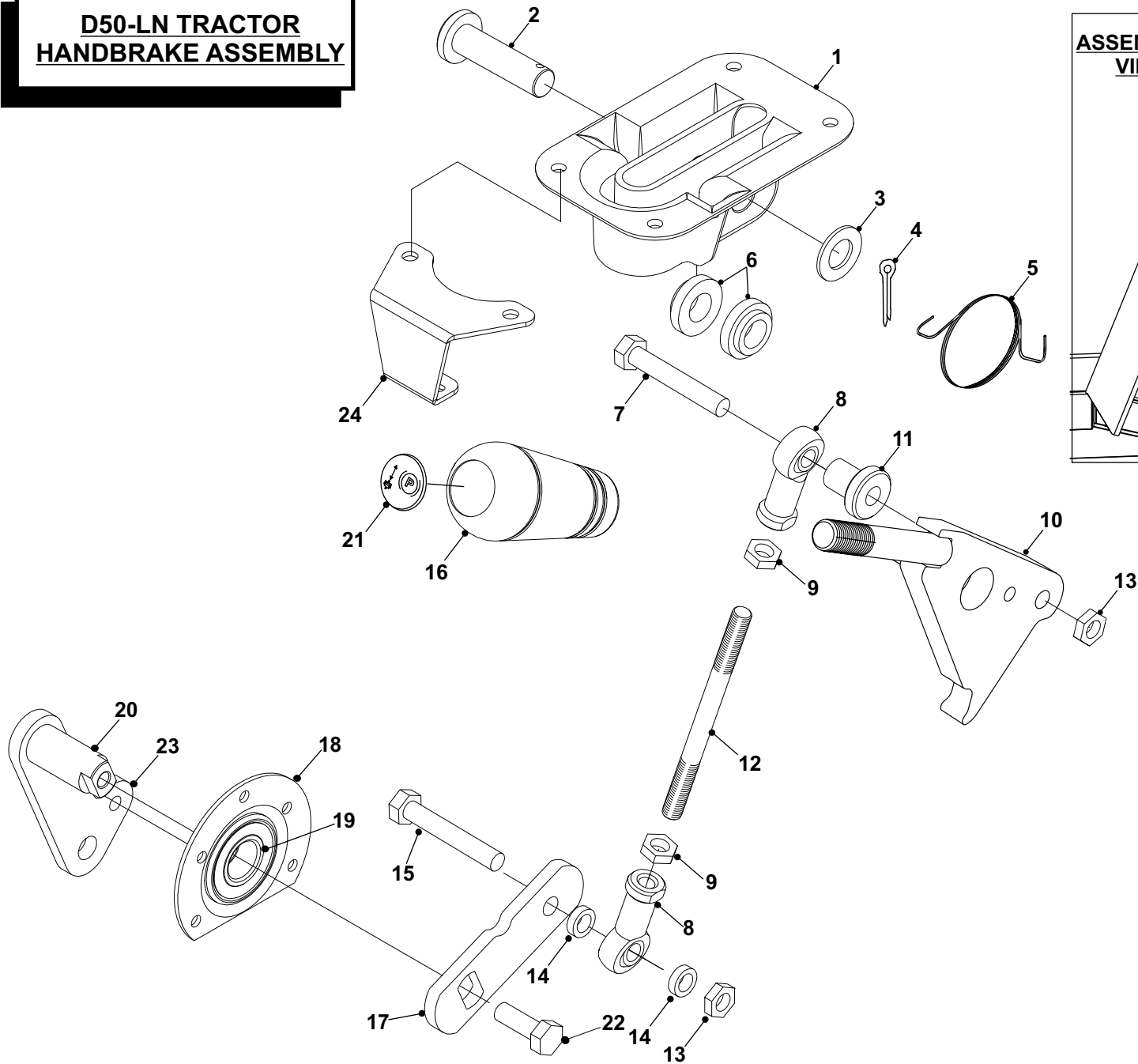
	PART DESCRIPTION	PART NUMBER
1	Rear Body Panel Manual Rear Body Panel	328957100 327809500
2	Seat	149500300
3	Arm Rest Kit	148002101
4	Seat Attachment Channel	27115400
5	Adjustable Seat Channel L/H	30117800
6	Adjustable Seat Channel R/H	30117700
7	Tool Tray	148003700
8	Seat Plate Adjuster R/H	30117900
9	Seat Plate Adjuster L/H	30118000
10	Seat Handle	30203100
11	Rivet ¼" x ½" B/Z	12855800
12	Spring	25831100
13	Starlock Washer ¼"	08868700
13a	Shakeproof Washer ¼" x 5/8"	08824200
14	M8 x 40 x 3 Heavy Gauge Washer	08925400
15	Bolt M8 x 20mm	02825900
16	Bolt M8 x 25mm	02826000
17	Seat Pivot Rod	31301800
18	Washer M8	08819500
19	M8 Nyloc Nut	04920100
20	2mm R Clip	06849100
21	Seat Spring (Full Assembly)	405003200
22	M10 x 40 Caps Screw	028003400
23	Seat Spring (Adjustable Seat)	25845600
24	Spring Retaining Washer(Seat)	27835400
25	Seat Spring Spacer	31330800
26	Washer 10.8 i.d x 20.7 x 2mm	088002400
27	M10 Nyloc Nut	04886100
28	Manual Deck Lift Handle Welded Assembly	327805801
29	Manual Deck Lift Cross Shaft	183528601
30	Manual Deck Lift Link Slide Plate	301965300
31	Manual Deck Lift Link Slide Pin	183528800
32	Manual Deck Lift Yoke Weld Assembly	327806200
33	Adjuster Rod Plate Welded Assembly	327806100
34	Deck Lift Cross Shaft Spacer	183528500
35	Manual Deck Lift RH Handle Grip	149550400
35a	Manual Deck Lift LH Handle Grip	149550500
36	Manual Deck Lift Trigger Rod Weld Assembly	327806000
37	Manual Deck Lift Linkage Arm	301965400
38	C Series Deck Lift Pivot Spacer	183529500
39	Manual Deck Lift Handle Trigger	149550600
40	Manual Deck Lift RH Rear Body Cover	149550700
41	Manual Deck Lift Linkage Pin	183528900
42	Manual Deck Lift handle Spring	259405900

43	M5 x 30mm Countersunk Screw	028004000
44	M5 x 35mm Countersunk screw	029425000
45	4mm E Clip	07986100
46	M5 Nut Black	048001800
47	Seat Base Plate	301985400
48	Seat Running plate	301985502
49	Seat Release Mechanism Lever	301985600
50	Seat Spring Retainer Plate	301985700
51	Seat Attachment Channel	301985800
52	Seat Mechanism Locking Pin	183531300
53	Seat Fixing slide Bearing	10901100
54	Rubber seat spring Retainer	149551900
55	Seat Mechanism Handle	149551800
56	Seat mechanism Spring	25831100
57	M8 x 13mm washer	089422300
58	M8 x 16mm Bolt	028003500
59	M8 x 20mm Washer	088003800
60	Shakeproof Washer	088003700
61	16mm Grommet	52849700
62	Carrier Plate Welded Assembly	327805900

JUNE 2008

SECTION 10

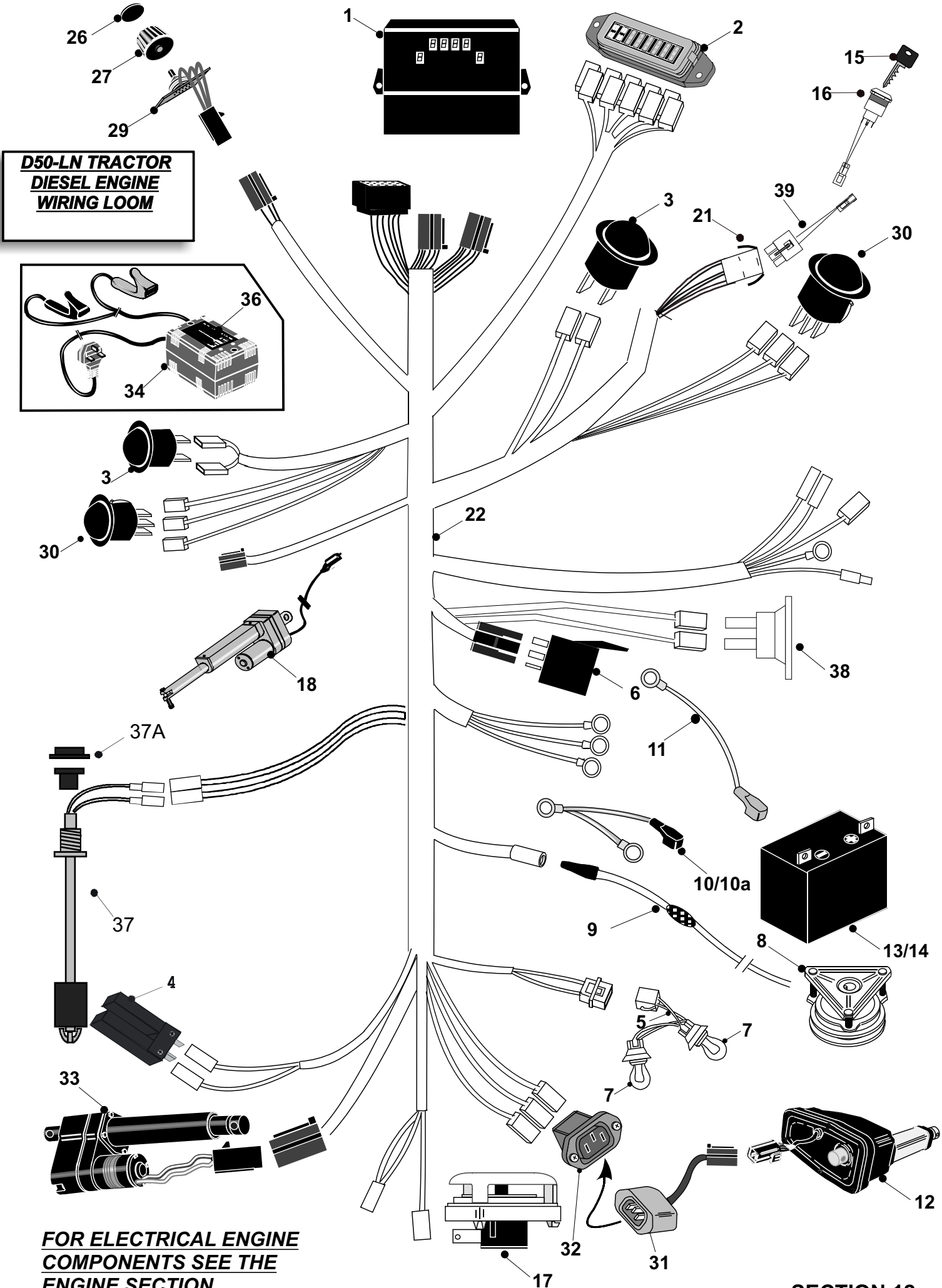
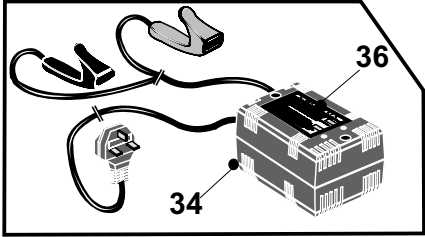
**D50-LN TRACTOR
HANDBRAKE ASSEMBLY**



D50-LN TRACTOR
HANDBRAKE ASSEMBLY
PART LIST

	PART DESCRIPTION	PART NUMBER
1	Handbrake Block	148014000
2	Deck Lift Pin	31339400
3	Washer M12 x 24 x 1.6mm	088003600
4	Split Pin 1" x 1/8"	06823300
5	Spring – Hand Brake Block Torsion	258000600
6	Handbrake Nylon Bush	149498000
7	M8 x 50 Hex Head Bolt BZP	018003500
8	M8 x 8mm Rod End RH Thread Female	10896200
9	Full Nut Hex M8 Z/P	04822300
10	Handbrake Handle Lever Plate Welded Assembly	321124300
11	Pivot	18321000
12	Handbrake Lever Linkage Rod	318955700
13	M8 Nyloc Nut	04920100
14	Deck Float Plate Spacer	18303500
15	M8 x 35mm Bolt	01935100
16	Handbrake Handle	187185300
17	Hand Brake Outer Conrod Connection Plate	307196000
18	Tractor Pedal Cassette Bearing Housing	301048100
19	Bearing	10811600
20	Link Shaft	328957000
21	Handbrake Handle Badge	359505100
22	Bolt M8 x 25mm	02826000
23	Handbrake Lever Linkage Rod	307196100
24	Brake Switch Bracket	301151300

**D50-LN TRACTOR
DIESEL ENGINE
WIRING LOOM**



**FOR ELECTRICAL ENGINE
COMPONENTS SEE THE
ENGINE SECTION**

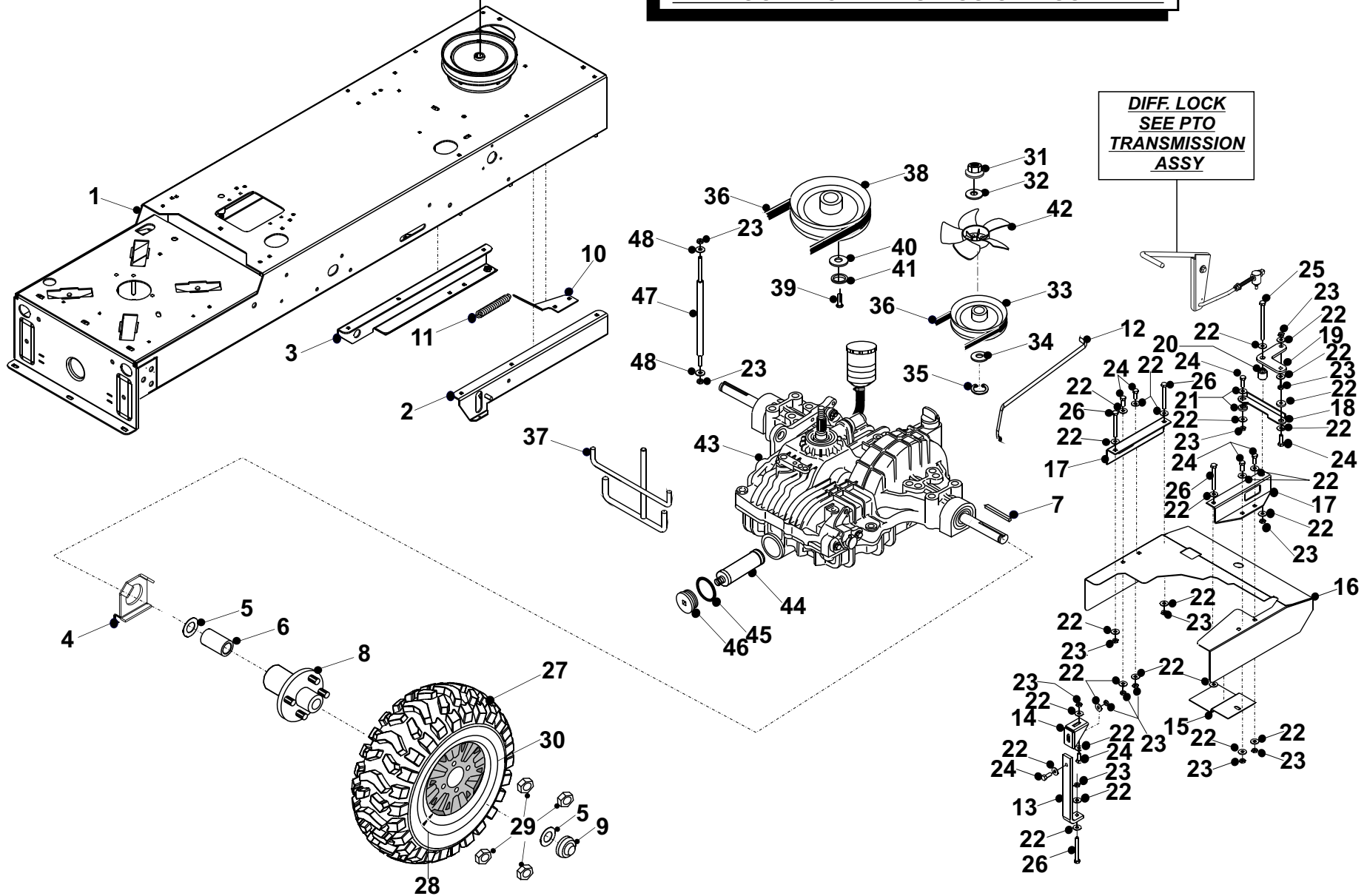
D50-LN TRACTOR DIESELENGINE WIRING LOOM PARTS LIST

	PART DESCRIPTION	PART NUMBER
1.	Display PCB Diesel 2007	449667603
2.	Fuse Box Holder	301139400
3.	Switch Momentary ON 2003	448008700
4.	Position Sensor Switch	449666600
5.	Headlight Loom	448015000
6.	Electric Relay 12v / 30amp with diode	449562700
7.	Bulb PY21W	448008500
8.	Diesel Electric Clutch	448004900
9.	Clutch Loom Magstop Modular	44946800
10.	Battery Lead Black Long – Negative (-) (for use on item 13)	449562300
10a.	Battery Lead Black Short Negative (-) for use on item 14)	448005301
11.	Battery Lead – positive (+) for use on item 13)	449562200
12.	Net Empty Actuator	448002800
13.	PBQ 40HR-12 Wet Battery Diesel	458141400
14.	Battery – Dry Charged	458141300
15.	Ignition Key	529471700
16.	Ignition Switch	449683300
17.	Seat Switch	44949500
18.	Actuator 1200N Hiwin (from serial no:40505...)	448015700
19.	10 amp Fuse (not illustrated)	44889500
20.	Fuse Spade 20 amp (not illustrated)	44835000
21.	Ignition Switch Sub Loom	449563200
22.	Diesel Loom	449661902
23.	Tie Wrap (Not illustrated)	52825400
24.	Tie Wrap Mount (Not illustrated)	52816800
25.	Tie Wrap Self Adhesive (Not illustrated)	52816700
26.	Collect Knob Cap – Rotary HE PCB 2001	148011001
27.	Collect Knob	148010601
28.	Fuse 30 amp Spade , Diesel Fuse Box (not illustrated)	449559200
29.	Dial Height Switch PCB	449561501
30.	3 point non-latching toggle switch	449665600
31.	PGC Net Emptying Loom (on tractor see section 7 number 26)	448004300
32.	Rear Socket For Net Emptying Loom	448005600
33.	Sweeper Lift Actuator Warner LA10	448005800
34.	Battery Charger	449563000
35.	Battery Charger Instructions (not illustrated)	36919400
36.	Battery Charger Decal	36919400
37.	Fuel level Sender	449665300
37A	16mm Sealing Washer 16mm Shock Proof Washer Fuel Sensor Nut	149545700 089421000 149548000
38.	Heat Switch	449677400
39.	Ignition Adaptor Loom	449683400

PTO PULLEY BEARING ASSY
SEE RUNNING BOARD
& SEAT BOX ASSEMBLY

D50-LN TRACTOR
HYDROSTATIC TRANSMISSION ASSEMBLY

DIFF. LOCK
SEE PTO
TRANSMISSION
ASSY



D50-LN TRACTOR
HYDROSTATIC TRANSMISSION
PARTS LIST

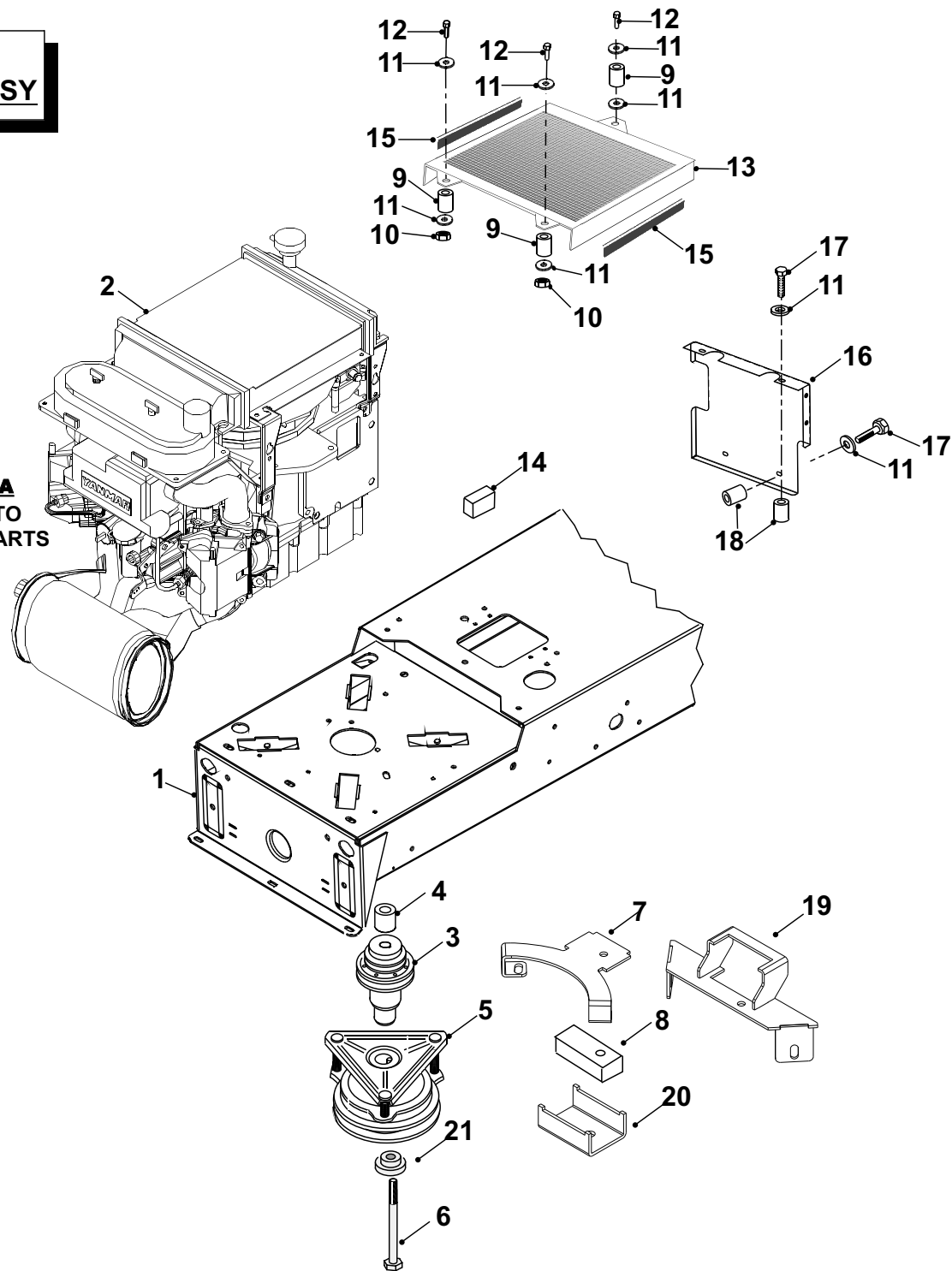
	PART DESCRIPTION	PART NUMBER
1	Diesel Chassis	32956800
2	L/H Trans-Axle Bracket	307182700
3	R/H Trans-Axle Bracket	307182800
4	K66 Transaxle Thrust Washer	307191901
5	Washer 46mm X 25mm	089423500
6	2050 Wheel Spacer	183018501
7	Key 1/4" x 1/4" x 2.1/4"	09862600
8	Rear Wheel Hub	198001300
9	Hub Cap	14811800
10	Finger Plate	301119601
11	Spring	307183500
12	Dump Valve Rod	313010600
13	Transaxle Support Bar	292003500
14	Torque Bracket	30137700
15	K66 Transaxle Hydraulic Loop Pipe Guard	307188800
16	Grass Transaxle Deflector	301120500
17	Transaxle Grass Deflector Bracket	301119500
18	Diff Lock Link	301119300
19	Diff Lock Pedal Link Crank	301119200
20	Deck Overlock Pivot	18833702
21	PTO Plate Spacer	31305100
22	Washer M8 x 21 x 1.6mm	088003700
23	M8 Full Nut	04822300
24	Bolt M8 X 25mm	02826000
25	Bolt 110mm x M8	019478400
26	M8 x 75mm Hex Head Bolt	018005600
27	Rear Tyre	198000400
28	Wheel Valve	14889200
29	Wheel Nut	048000800
30	Rear Wheel Rim Includes: Grease Nipple (not illustrated) 'O' Ring (not illustrated) Washer 5/16 Shake-Proof (not illustrated)	198000500 11898800 24898700 08823500
31	M10 Flange Nut Nyloc	049381600
32	Washer 32 o.d x 10.5 i.d x 3mm Thk	089418800
33	Hydrostatic Box Pulley	20904400

D50-LN TRACTOR
HYDROSTATIC TRANSMISSION
PARTS LIST

	PART DESCRIPTION	PART NUMBER
34	9/16" T4 LP Washer	08917800
35	14mm Circlip	07906600
36	Dayco A98 Super II Belt	228001400
37	Double Belt Guide	327021800
38	Pulley 7" PTO	20870700
39	Bolt M8 x 20	02825900
40	Washer M8 x 25 x 3mm	089418600
41	5/16" Shakeproof Washer	08855100
42	Hydro Cooling Fan	148002900
43	Tuff Torq K66 Transaxle	479389100
44	Filter	1A6370-26450
45	Packing	24351-020400
46	Cap	1A6370-24380
47	L/H Transaxle Steady Rod	313019100
48	M8 Washer	08819500

**D50-LN TRACTOR
YANMAR DIESEL ENGINE ASSY**

**YANMAR
DIESEL
ENGINE
MODEL 2V78 - CA**
PLEASE REFER TO
YANMAR ENGINE PARTS
CATALOGUE



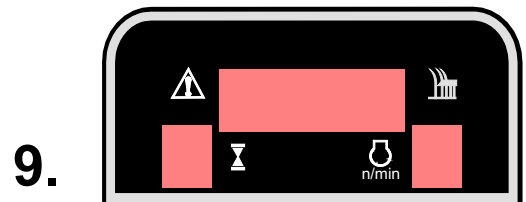
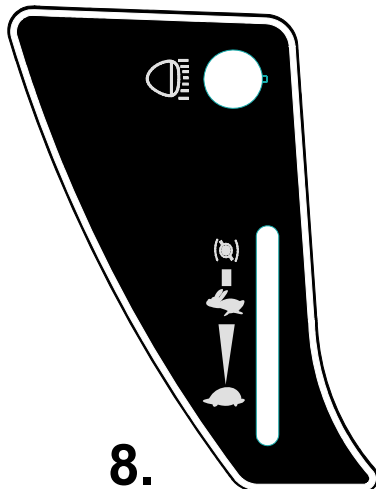
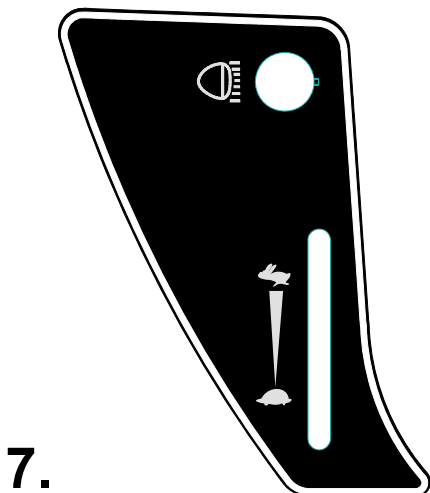
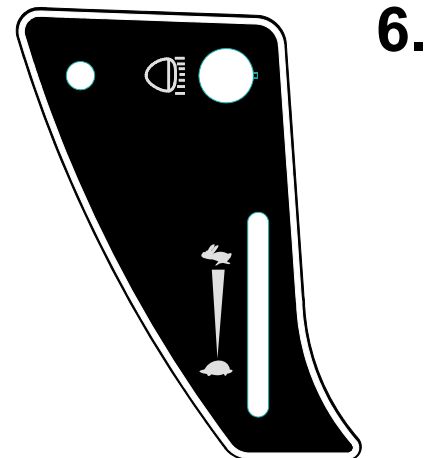
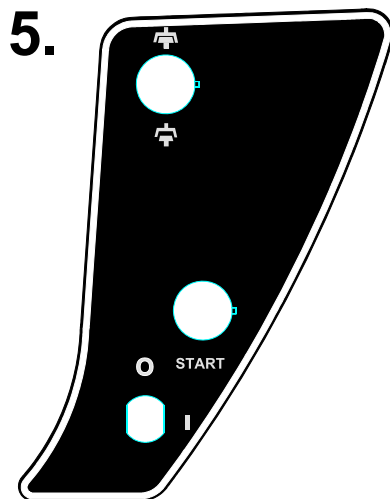
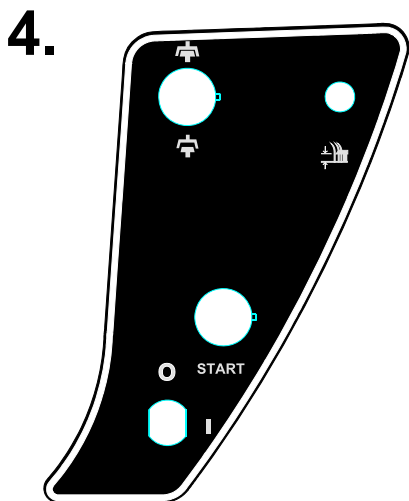
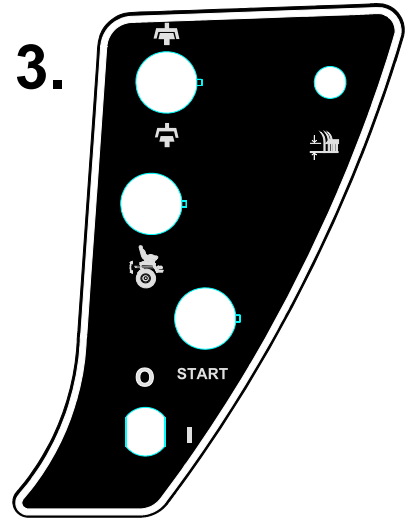
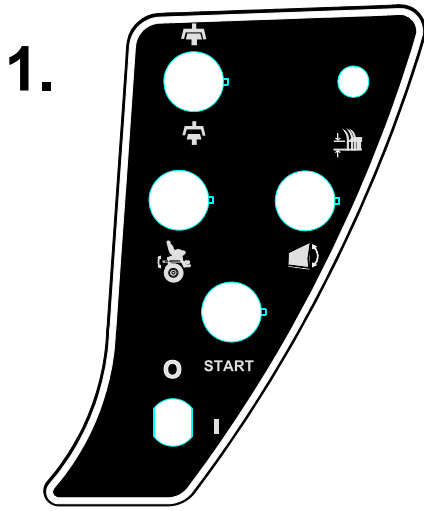
D50-LN TRACTOR
YANMAR DIESEL ENGINE ASSEMBLY
PARTS LIST

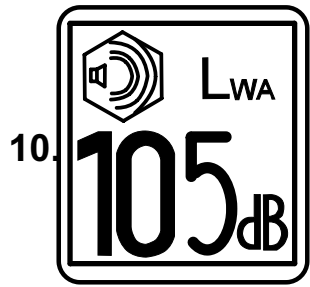
	PART DESCRIPTION	PART NUMBER
1.	Diesel Chassis	32956800
2.	Yanmar 16hp Diesel Engine Model 2V78-CA Please refer to Yanmar Engine Parts Catalogue	N/A
3.	Engine Transmission Pulley	327015600
4.	Engine Pulley Spacer	183014500
5.	Ogura Electric Clutch	448004900
6.	Hex Head Bolt M10 x 55mm	018002400
7.	Upper Metal Restraint For Rubber Block	301958000
8.	Diesel Clutch Stop Rubber Block	148016600
9.	Spacer 7mm x 5/16"	31302800
10.	Nut M6 Nyloc	04920500
11.	Washer 9/16"	08827800
12.	Bolt M6 x 20mm	018000300
13.	Radiator Guard	307194200
14.	Starter Motor Guard Panel	307201200
15.	Foam Seal / Gasket Radiator Grille	389471801
16.	Cowl – Diesel Engine Back Panel	307019202
17.	Screw M6 x 35mm	019478900
18.	Spacer 20mm x 5/16" i.d.	31302500
19	Clutch Restraint Bracket	327803900
20	Bottom Metal Restraint For Rubber Block	301958100
21	Pulley cap	183016800

APRIL 2007

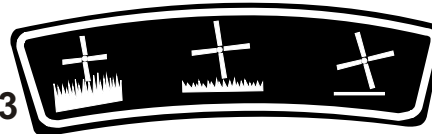
SECTION 14

***D50-LN & V2050D
DECALS (Page 1.)***

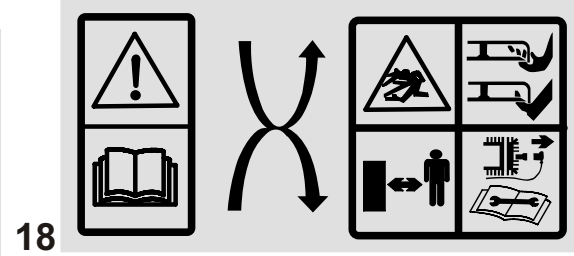
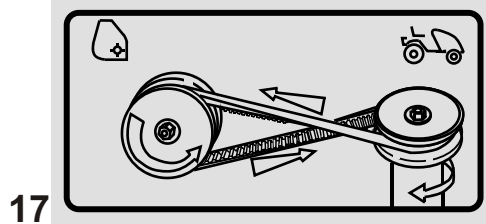
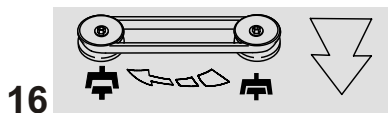




11. DIESEL FUEL ONLY!



**D50-LN & V20/50D
DECALS (page 2)**



19

D50-LN

IMPORTANT - READ SAFETY INSTRUCTIONS BEFORE OPERATING THIS MACHINE

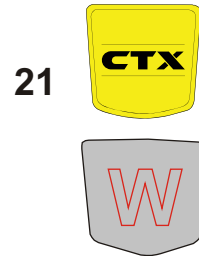
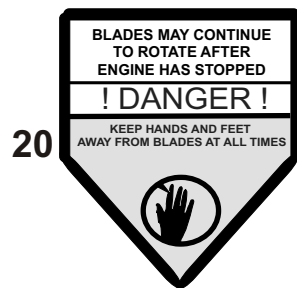
MULCHING

For

- Do not reduce the height of the grass by more than 1/3 in a single pass
- If possible, avoid cutting in the wet
- Always cut with the engine at full running speed
- If an unsightly residue is present - increase cutting height
- Vary mowing pattern from cut to cut
- Always ensure that blades are sharp and in good condition

VIBRATION TESTED TO THE FOLLOWING STANDARDS
BS

EXERCISE CAUTION WHEN CUTTING
ON SLOPES



23 **COUNTAX**

IMPORTANT - READ SAFETY INSTRUCTIONS BEFORE OPERATING THIS MACHINE

MULCHING

For Best Results:

- Do not reduce the height of the grass by more than 1/3 in a single pass
- Mow often - short clippings of 20mm (3/4") or less decompose more quickly
- If possible, avoid cutting in wet
- Always cut with the engine at full running speed
- If an unsightly residue is present - increase cutting height
- Vary mowing pattern from cut to cut
- Always keep the underside of the deck clean to permit good grass flow
- Always ensure that blades are sharp and in good condition

VIBRATION TESTED TO THE FOLLOWING STANDARDS
BS 6842:1997, DD ENV 23241:1993, BS 1402:2007, BS6841:1997

EXERCISE CAUTION WHEN CUTTING
ON SLOPES



D50-LN & V2050D TRACTOR**DECALS**
PARTS LIST

	PART DESCRIPTION	PART NUMBER
1	C Series RH Dash Standard Decal	359522801
2	C Series RH No Dial Height Decal	359522701
3	C Series RH With electric sweeper Decal	359523201
4	C Series RH No Electric sweeper or net Decal	359522901
5	C Series RH Manual Decal	359523001
6	C Series LH Dash Decal Throttle	359522601
7	C Series LH Dash No Choke Decal	359524001
8	C Series LH Dash Throttle & Choke Decal	359522501
9	C Series Display Decal	359523101
10	Decal 105 Decibel	359497101
11	'Diesel Fuel Only' Self Adhesive Decal	358008500
12	PTO Danger Decal	35809500
13	Sweeper Height Decal 2003	35937601
14	IBS Decal 2003	35931301
15	'CE' Decal	35912000
16	Deck Belt Release Decal	35914600
17	Sweeper Belt Decal (Symbols Only)	35891200
18	Yellow Background Warning Label 153 x 75mm	358005900
19	Decal 'Read Safety Instructions	359520700
	V2050D Read Safety Instructions	359522000
20	PTO Danger Label	35809500
21	Decal Countax Badge	359513400
22	Handbrake Handle Badge	359505100
23	Countax Bonnet Badge (Silver)	359505800
	Westwood Front Bonnet Badge	359525200
24	LH side panel	359520800
	RH Side Panel	359520900
25	Rear Body Decal	359520600
26	V50D Consol Decal	359531800