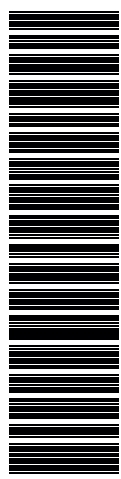


DA CONTROL MODULES (VCS-R-DA-...)

VCS-R-DA-E, VCS-R-DA-V

QUICK START INSTALLATION






1/1



B04-0211-0511-15

1. BEFORE YOU BEGIN

Symbols are used in the user's manual to improve your orientation. The following table includes their graphical images and meanings:

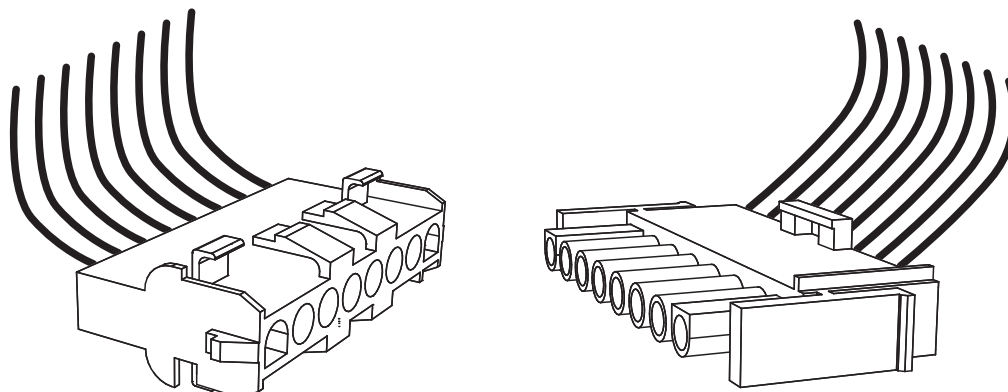
	SYMBOL	MEANING
	ATTENTION!	Warning/caution
	DO NOT OVERLOOK!	Important instructions
	YOU WILL NEED NOTE	Practical tips and information
	TECHNICAL INFORMATION	More detailed technical information
	LINK	Refer to other parts/sections of the manual

Declaration of conformity

Declaration of conformity for SM control modules is part of declaration of conformity for air curtains STANDESSE Comfort. Declaration of conformity is located at www.2vv.cz

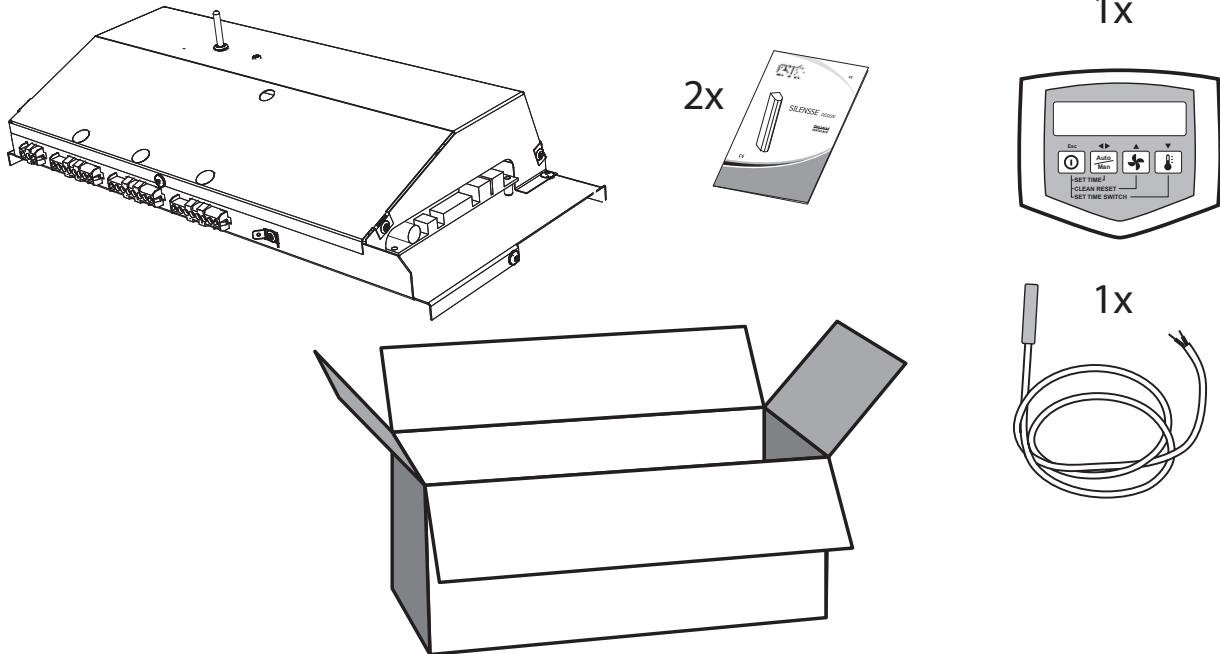


Air curtains STANDESSE Comfort are produced with universal connection interface. Air curtains STANDESSE Comfort can be controlled by one of following control modules. Control modules (SM, DM or DA) are required accessories for VCS4... air curtains and has to be ordered separately. Air curtains STANDESSE Comfort is connected with control module by „Quick connection sockets“



2. UNPACKING

2.1 CHECK THE SHIPMENT

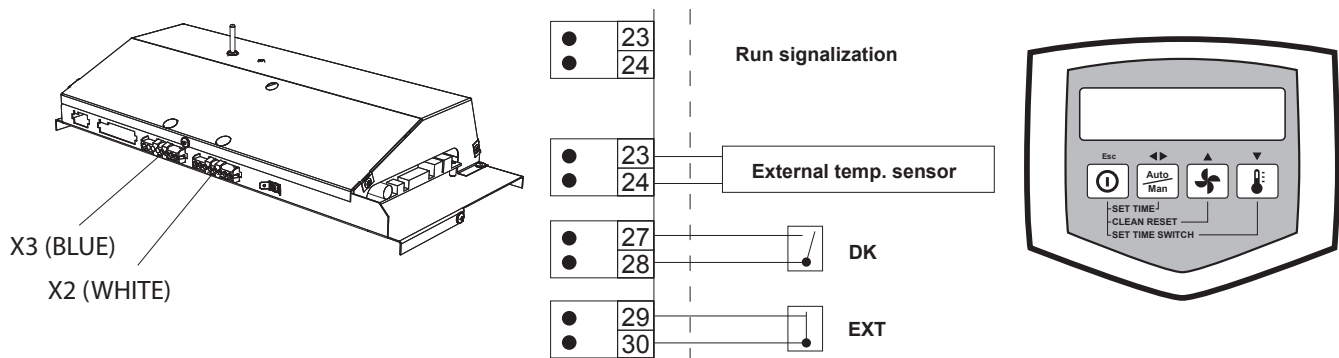


3. MAIN PARTS

3.1 DA control module (suitable with air curtains with water or electric heater)

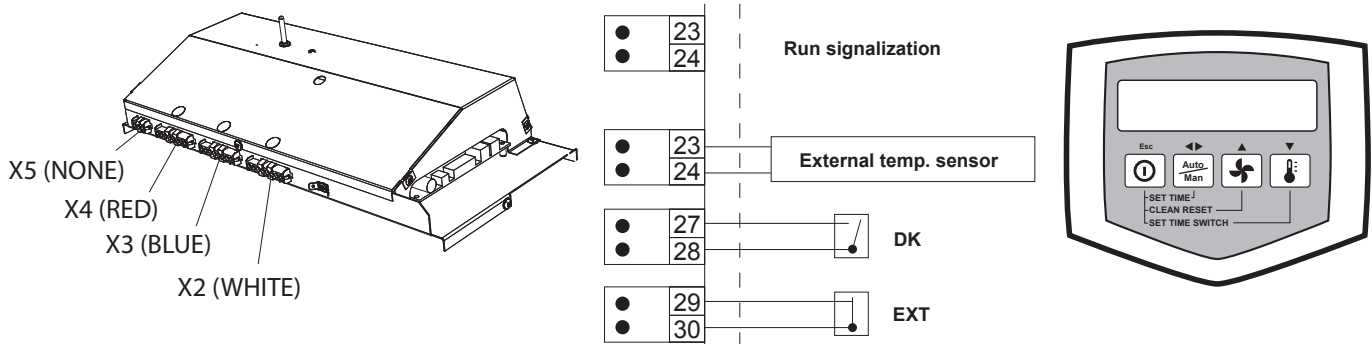
Types of DA control modules:

VCS-R-DA-V (Suitable with air curtains with water coil VCS4-x-xxV-...)



3. MAIN PARTS

VCS-R-DA-E (Suitable with air curtains with electric heater VCS4-x-xxE-...)



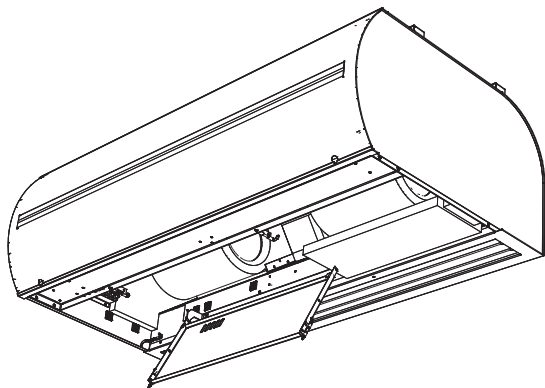
(Run signalization, external temperature sensor)

3.2 Function overview of DA control modules

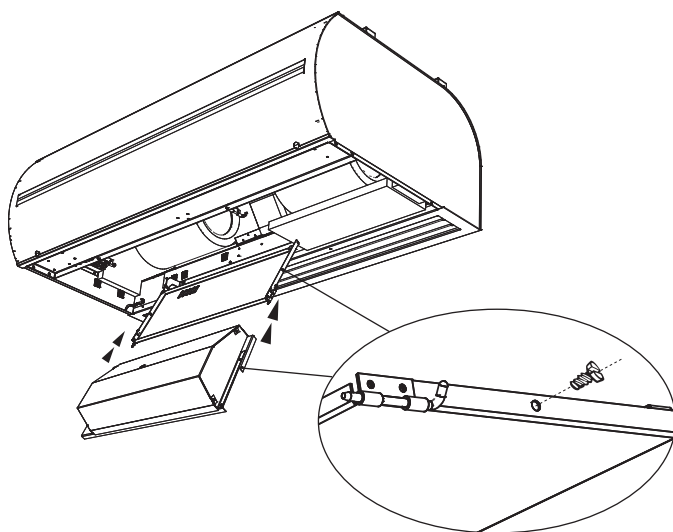
Air curtains execution	With electric heater (VCS4x-xxE...)	With water coil (VCS4x-xxV...)
Control module	DA (VCS-R-DA-E)	DA (VCS-R-DA-V)
Type of control	Manual/Automatic	Manual/Automatic
Speed of the fan	***	***
Electric heater regulation	3 steps / Fluently	x
Water heater regulation	x	Mixing valve
Control panel connection	Radio signal	Radio signal
Number of quick connection sockets	4	2
Door switch behavior	OFF/1st speed / 2nd speed	OFF/1st speed / 2nd speed
Timer	Day/ Week	Day/ Week
Temperature measurement	" 2 internal sensors 1 external sensor"	" 2 internal sensors 1 external sensor"
Operation state indication	LCD	LCD
Radio signal indication	BEEP sound	BEEP sound
Cleaning interval indication	Time interval	Time interval
Water heater anti-freeze protection	x	Automatic
Aftercooling of electric heater	30sec/1min	x
Chaining of the air curtains	In radio signal range	In radio signal range

4. INSTALLATION

4.1 MECHANICAL INSTALLATION



4.1-1 Insert control module to the air curtain



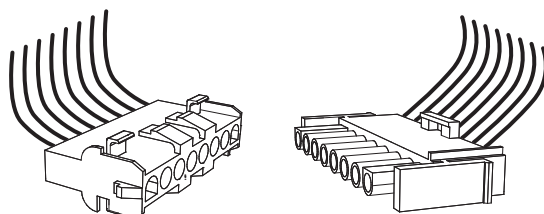
4.1 ELEKTRO INSTALLATION



- Installation must be carried out by a professionally trained electrical worker. All applicable national regulations and directives must be observed.
- The electrical schematics on the product take priority over those presented in this manual!
- Prior to installation, check to see if the terminal markings correspond to the markings on the electrical connections diagram. When in doubt, contact your supplier and do not connect the air curtain under any circumstances.
- Never reach inside the air curtain unless the main electrical supply has been turned off!

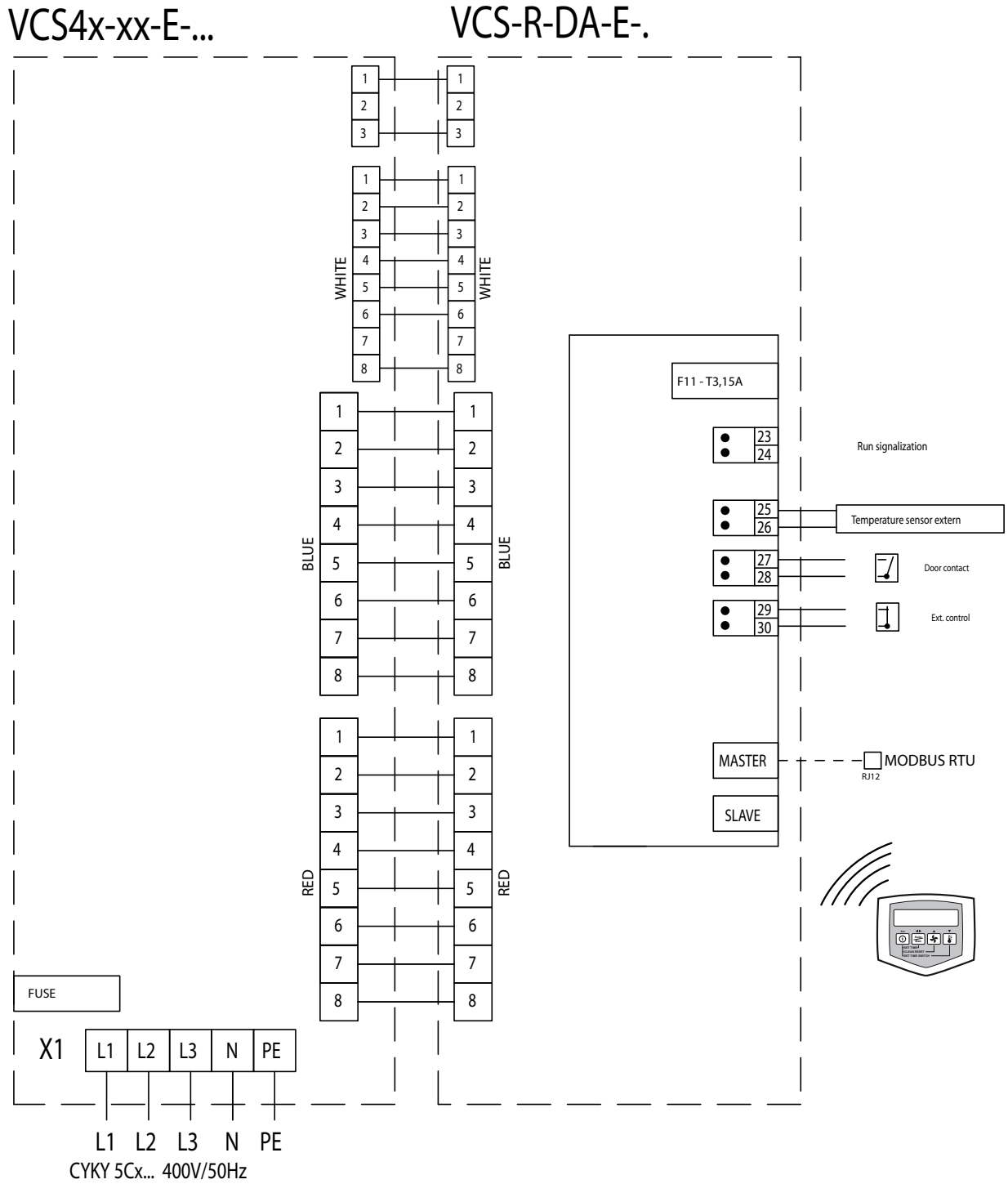


Air curtains STANDESSE Comfort is connected with control module by „Quick connection sockets“

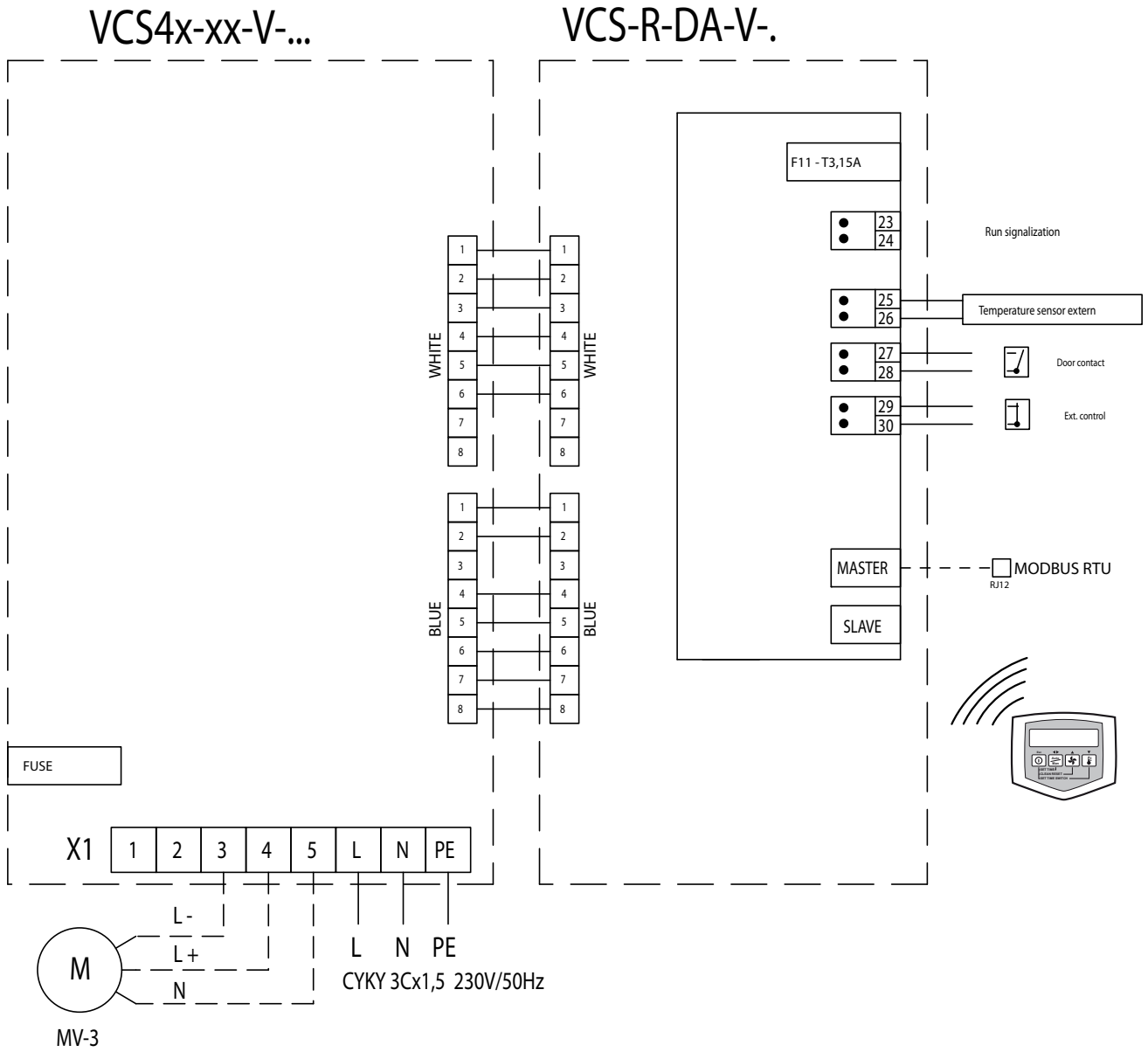


4. INSTALLATION

4.1-1 Connect DA control module



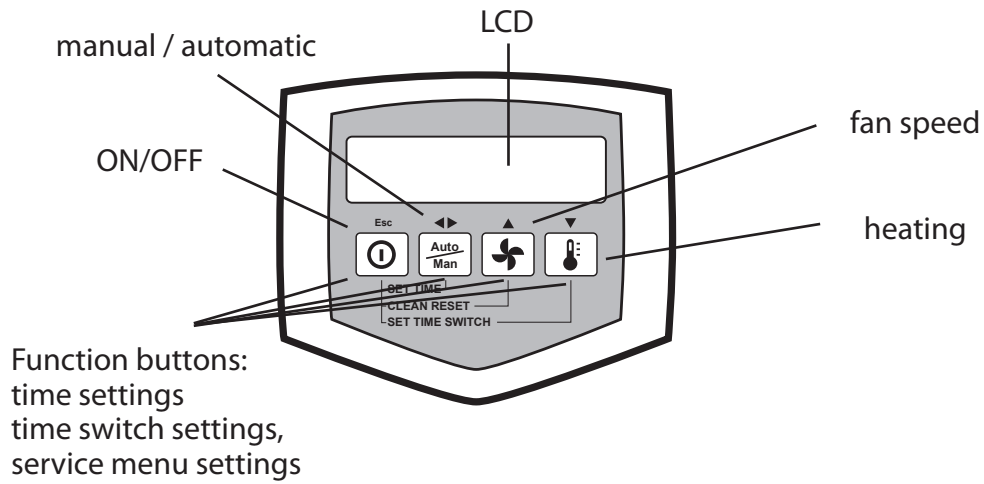
4. INSTALLATION



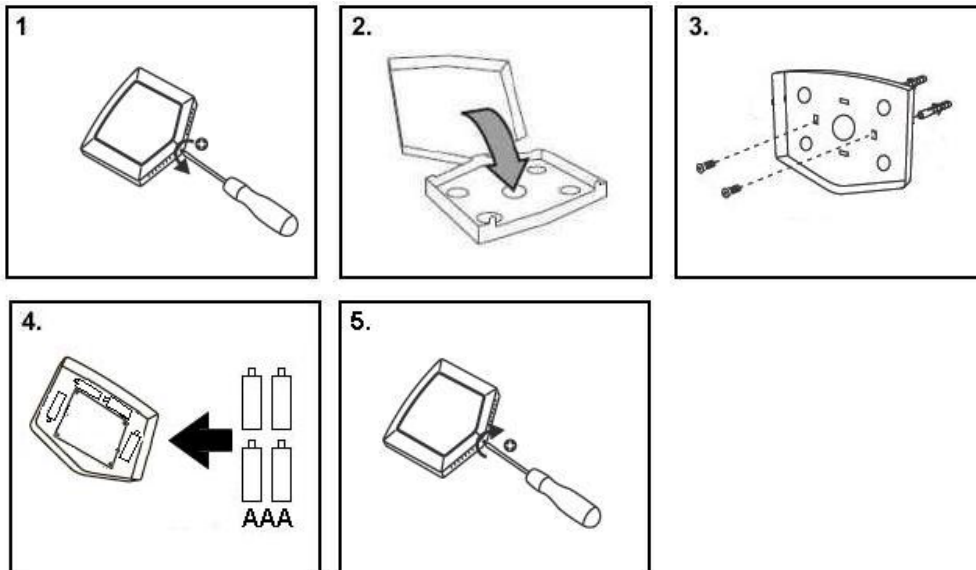
4. INSTALLATION

4.2 CONTROL PANEL

4.2-1 Control panel description

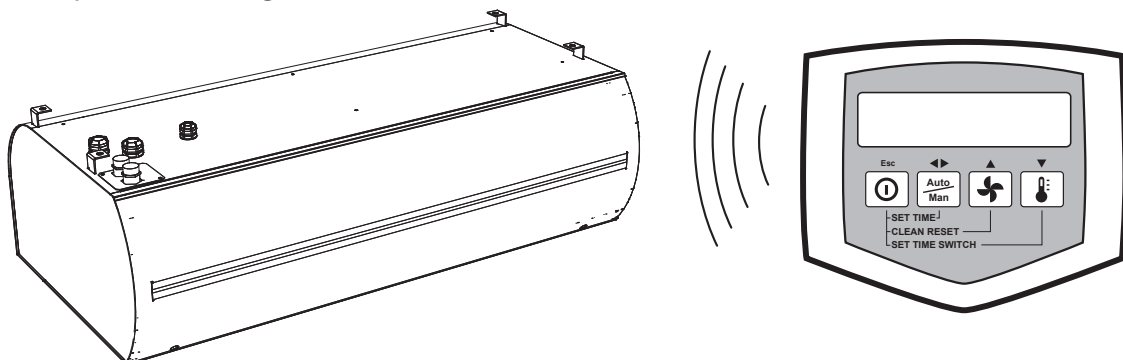


4.2-2 Control panel mechanical installation



4.2-3 Control panel connection

DA control panel (radio signal)



4. INSTALLATION



- Range of radio signal in open space is 100m
- DA control panel need for the operation 4x AAA battery. (Included in delivery)



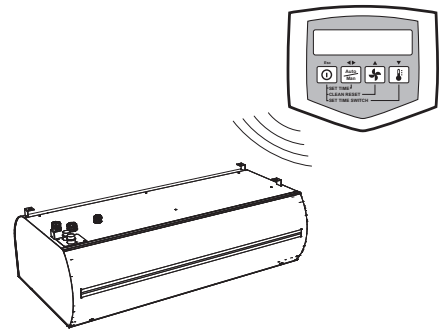
Setting of radio communication frequency setting is required.

4.2-3.1 Single air curtain operation

The DA control panel is paired* with DA control module from production. (*Pairing - DA control module is set up on the same frequency as control panel is) If pairing procedure is required (in case of change of control panel,...) -



4.3-1 PAIRING PROCEDURE

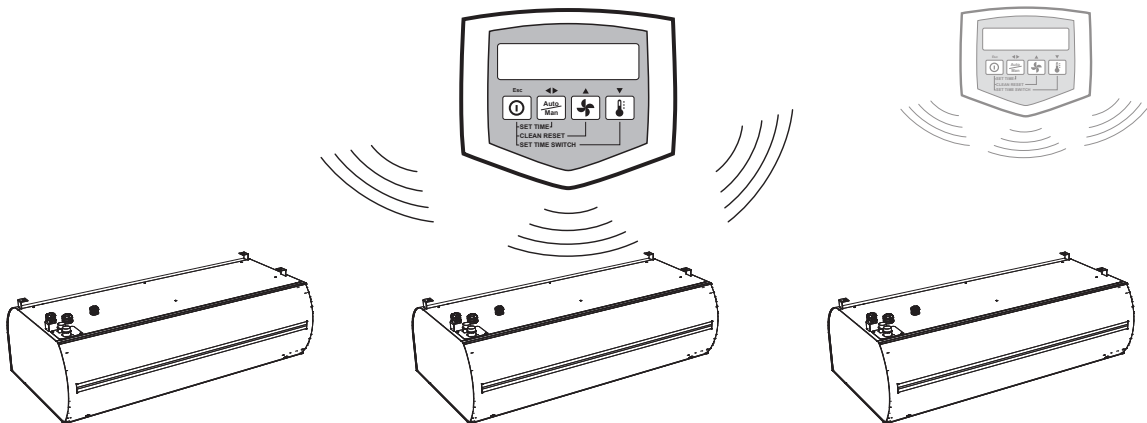


4.2-3.2 Chained air curtain operation (more air curtains controlled by one control panel)

To control more air curtains by one control panel, it is necessary to make pairing (*Pairing - set up DA control module on the same frequency as control panel is using) Each control module DA can operate with control panels set on the same frequency.



4.3-1 PAIRING PROCEDURE



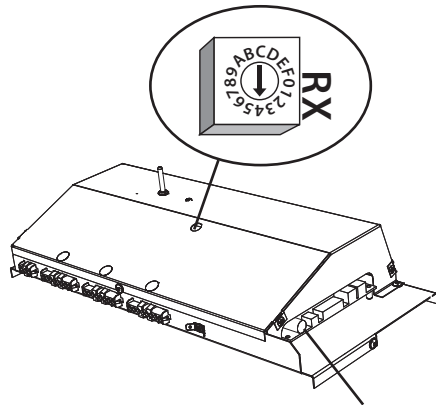
If there is use more then one control panel for chained air curtains. The air curtains will work according last received radio command from control panel. The other control panel will signalize its own last setting!!

4. INSTALLATION

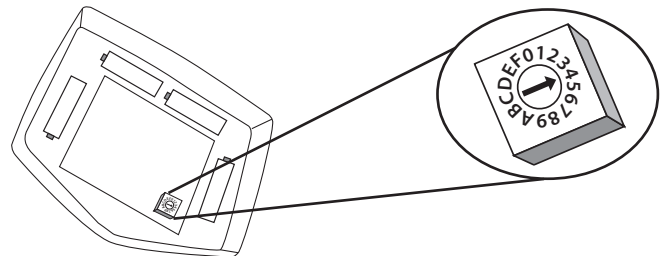
4.3 PAIRING PROCEDURE

Each air curtain can be controlled by its own DA control panel, or one DA control panel can control all paired air curtains in range of radio signal. This functionality can be set by PAIRING.

RECEIVER CHANNEL SWITCH (DA control module receiver)

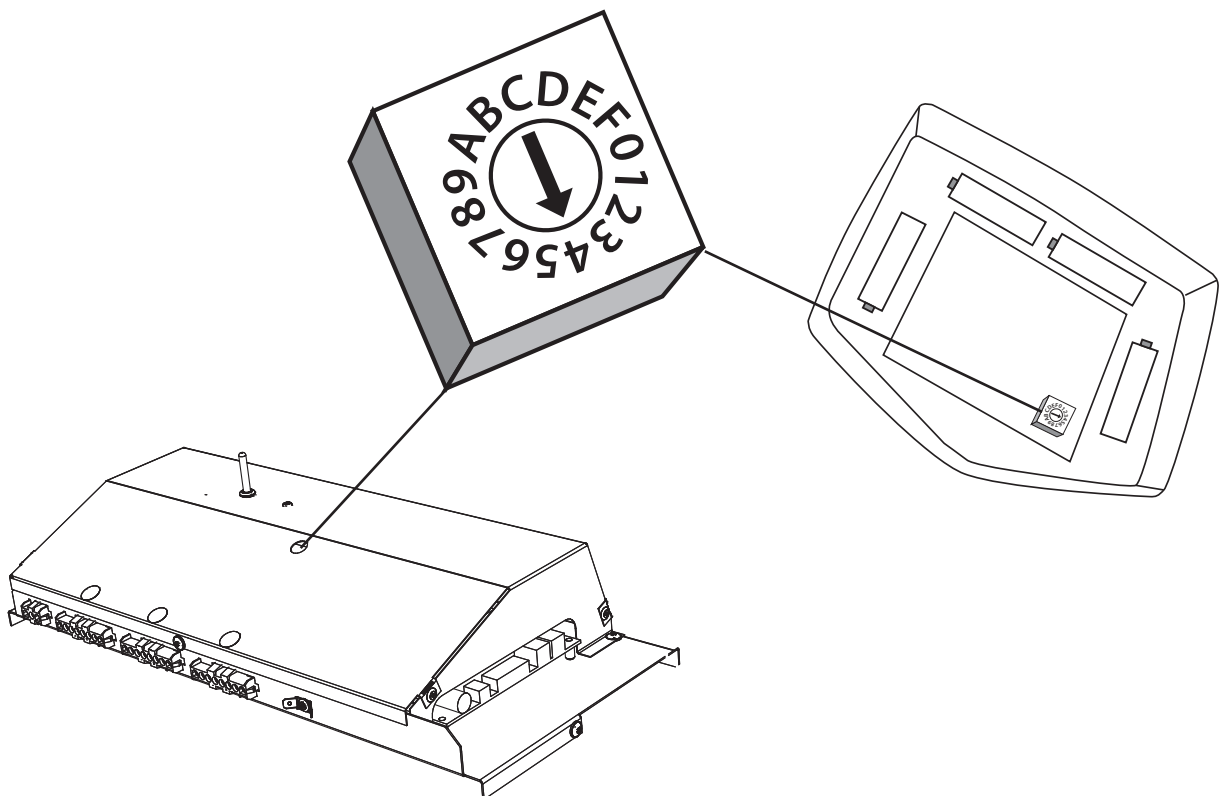


PANEL CHANNEL SWITCH of DA control panel



PCB FUSE (Printed circuit board fuse)

6.6-2.1 Pairing of DA control panel with DA control module (air curtain)



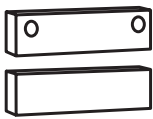
5. EXTERNAL ACCESSORIES

5.1 CONNECTION OF EXTERNAL ACCESSORIES

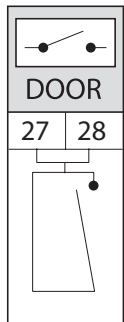


- When connecting external accessories, the electricity to the air curtain must be turned off.
- All external control components must be connected according to the electrical schematic. The connectors must be connected to the electrical board using reasonable force and always vertically to the base.

5.1-1 Door contact DK



- Isolated switching contact with a maximum voltage of 12V.
- Cable - Dual-core cable with a diameter of 0.5 mm. - Maximum length: 50 m.



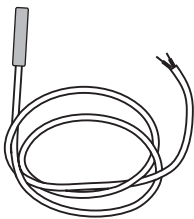
For DM and DA control modules only!

Connectors on the DA control modules: 27/28



Not included in delivery.

5.1-2 External temperature sensor

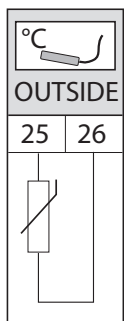


- Thermally-dependent resistive sensor



External temperature sensor has to be connected for correct function of automatic mode.

External temperature sensor must be leaded out of building. Placed close to the door opening and away from sunlight!



For DA control modules only!

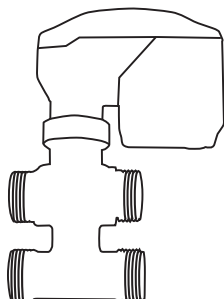
Connectors on the DA control modules: 25/26



Included in delivery with VCS-R-DA-x

5. EXTERNAL ACCESSORIES

5.1-3 Mixing valve MV-3



- mixing valve for water heater regulation
- Cable – Three core cable with diameter of 1,5 mm, 230 V/ 50 Hz.

For VCS-R-DA-V control modules only!

Connectors on the DA control modules: 3 /4 /5



Not included in delivery.

Accessories overview

Air curtains execution		With electric heater (VCS4x-xxE...)	With water coil (VCS4x-xxV...)
Required accessories	Control module	DA (VCS-R-DA-E)	DA (VCS-R-DA-V)
	"External temperature sensor"	"Included with control module"	"Included with control module"
	Water coil regulator	X	"MV-3 (Mixing valve)"
Optional accessories	Door switch	X	X
	Door contact	DK-1	DK-1
	Room thermostat	X	X
	Ceiling mounted brackets	VCS4-KONZ-STR.	VCS4-KONZ-STR.
	Wall mounted brackets	VCS4-KONZ-STE.	VCS4-KONZ-STE.
	EXIT sign	VCS4-EXIT	VCS4-EXIT

5. EXTERNAL ACCESSORIES



Before putting the air curtain with DA control module into operation, check the following:

- Have any tools or other objects which could damage the curtain been left inside it?
- Is there a proper supply of electricity and, if necessary, heating water?
- Has the air curtain been properly closed?
- Has the control module been connected properly?



Before putting the curtain into operation, read carefully:

Full manual for OPERATION AND MAINTENANCE (delivered with control module)

If you have any doubts or questions, do not hesitate to contact our sales or technical support department.



Before operation and maintenance, thoroughly read the section "Safe use of air curtains". It contains all instructions on the safe and correct use of the product.

CONTACT

Address

2VV, s.r.o.,
Poděbradská 289,
530 09 Pardubice,
Czech Republic

Internet: <http://www.2vv.cz/contact.distribution.php>

