



DAIKIN FAQ SERIES HEATING AND COOLING SYSTEMS

INDOOR WALL-MOUNTED UNITS
Up to 17.6 SEER / Up to 8.4 HSPF
Up to 11.9 EER

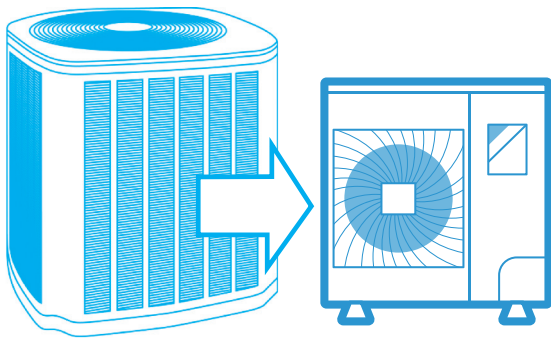


Feel the difference

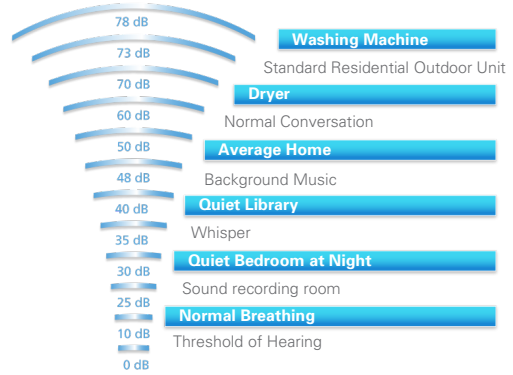
Designed for absolute comfort, Daikin's FAQ SkyAir units are equipped with comfort control features such as the powerful dual air flaps and the vertical auto swing function. Integrated into a high energy efficient system, the FAQ delivers absolute comfort with energy saving capabilities.

Hear the difference

Utilizing inverter technology to maintain comfort settings, Daikin systems most often operate at low speeds with indoor sound levels as low as 37 decibels (dB) and outdoor sound levels as low as 58 dB.



Sound levels as low as:



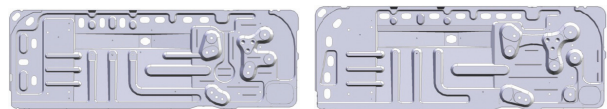
**100% heating capacity at -4°F (-20°C)
 for systems up to 3 tons
 (heat pump only)**

See the difference

A Daikin inverter system is designed for installation where space is limited, such as with zero lot lines, or limited to roof, wall or terrace areas. The compact and lightweight design, when compared to traditional solutions allows the Daikin inverter system to be used in homes with the strictest of limitations with relative ease.

New drain pan

Newly designed drain pan on outdoor unit to help prevent condensate from freezing and causing damage to the fan and coil.



Single fan drain pan

Double fan drain pan

Knowledge is power

In general, system performance is measured by a higher Seasonal Energy Efficiency Ratio (SEER) and Energy Efficiency Ratio (EER). Higher ratings mean lower operating costs. Similarly, a higher rated Heating Seasonal Performance Factor (HSPF) and Coefficient of Performance (COP) means a more efficient air-source heat pump.

Why is it important?

The COP of a heat pump is the ratio of: $COP = \frac{\text{energy out}}{\text{energy in}}$. When the COP is >1, the result is a system providing more heating energy than energy consumed. As the COP increases, the higher the efficiency — resulting in lower utility costs.

Up to	
17.6 SEER	11.9 EER
8.4 HSPF	3.0 COP <small>(Coefficient of Performance)</small>

Inverter Ducted Heat Pump
 Efficiency ratings



FAQ Series

Expertise and innovation

Daikin's FAQ wall mount SkyAir systems feature streamlined indoor units in both cooling only and heat pump models. Sleek and sophisticated in appearance, these indoor units feature automated louvers and distribute airflow throughout the space equally and efficiently to deliver absolute comfort.

Premium comfort features:

- » Low-Ambient cooling operation down to 0°F (with optional Air Adjustment Grille(s))
- » Energy Efficient – 17.6 SEER, 8.4 HSPF, up to 11.9 EER – Variable-Speed Inverter Compressor
- » Cooling Range 23° - 122° F
- » Heating Range -4° - 60° F

Outdoor unit features:



Anti-Corrosion Treatment on Heat Exchanger



Auto-Restart – The unit memorizes the operation mode, airflow and temperature settings. Should there be a power failure when the unit is in operation, it will automatically return to the same operating conditions when the power is restored.



Self-Diagnosis – In the event that a problem develops with the unit, malfunction codes can be displayed on the liquid crystal panel of the remote control for fast and easy fault diagnosis.



RZQ_TAVJU
RZR_TAVJU



FAQ_TAVJU



BRC1E73



BRC2A71



BRC7E818



DKN Cloud
Wi-Fi adaptor
(option)





Comfort

We offer a wide range of products, and always provide you with the ideal solution, whether for an apartment, condo or a house. Our units are whisper quiet and, with their specially designed airflow pattern, they create your ideal indoor climate.

Daikin units are designed to include features that let you create your own unique ecosystem. From the wide-angle louver design to the auto-swing and comfortable mode controller settings, effective heating and cooling is ensured throughout the space.

Smart inverter technology

Integrated with an inverter variable-speed compressor, Daikin systems deliver the capacity required to maintain desired room conditions, typically reducing energy consumption by up to 30% or more (compared to traditional fixed-speed ducted systems). This technology minimizes temperature fluctuations and provides continuous cooling and heating comfort.

Energy efficiency

Our products are designed to be highly efficient all year round, and their low energy consumption is reflected in low energy bills for you.

Flexibility

With space saving design, wide operation range and long pipe lengths you have maximum flexibility in your design to suit your needs.

Reliability

Daikin products are renowned for their reliability. And you can rely on service to match, with industry leading warranties.*



*Complete warranty details available from your local dealer or at www.daikincomfort.com.

FAQ SERIES HEATING AND COOLING SYSTEMS INDOOR WALL-MOUNTED UNITS

Model	Indoor Unit		FAQ18TAVJU		FAQ24TAVJU	
	Outdoor Unit (Cooling Only)		RZR18TAVJU		RZR24TAVJU	
	Outdoor Unit (Heat Pump)		RZQ18TAVJU		RZQ24TAVJU	
			Cooling	Heating*	Cooling	Heating*
Capacity Rated	Btu/h		18,000	20,000*	23,800	26,000*
COP Rated*			3.0		2.7	
EER Rated			11.9		10.2	
SEER			17.0		17.6	
HSPF*			8.2		8.4	
Piping Connections	Liquid	in. (mm)	Ø 3/8 (Ø 9.5)			
	Gas		Ø 5/8 (Ø 15.8)			
	Drain		Ø 1 (Ø 25.4)			
Max. Interunit Piping Length	ft. (m)		164(50)			
Max. Interunit Height Difference			98.4 (30)			
Chargeless	lbs (kg)		15 (4.5)			
Amount of Additional Charge of Refrigerant	lbs./ft. (kg/m)		0.036 (0.0536)			
Operating Range – Cooling	°F DB (°C DB)		23° – 122° F (-5 - 50° C)			
Operating Range – Cooling with Optional Air Adjustment Grille	°F DB (°C DB)		0° - 122°F (-17.7° - 50°C)			
Operating Range – Heating*	°F WB (°C WB)		-4° – 60° F (-20 - 15.5° C)			
Indoor Unit			FAQ18TAVJU		FAQ24TAVJU	
Airflow Rate	H	cfm (m³/min)	500 (14.2)		635 (18)	
	M		400 (11.3)		470 (13.3)	
Fan Type			Cross flow fan			
Air Direction Control			N/A			
Air Filter			Resin net (Washable)			
Dimensions (H × W × D)	in. (mm)		11-3/8 x 41-3/8 x 9-1/4 (290 x 1050 x 238)			
Weight	lbs (kg)		31 (14)			
Sound Pressure Level (H / M / L / SL)	dB(A)		43 / 37		47 / 41	
Outdoor Unit			RZQ18TAVJU / RZR18TAVJU		RZQ24TAVJU / RZR24TAVJU	
Compressor	Motor Output	W	1,900			
Refrigerant	Type		R-410A			
	Charge	lbs (kg)	6.4 (2.9)			
Airflow Rate	H	cfm (m³/min)	2,682 (76)			
Dimensions (H × W × D)	in. (mm)		39 x 37 x 12-5/8 (990 x 940 x 320)			
Weight	lbs (kg)		172 (78)			
Sound Pressure Level	H	dB(A)	58	61*	58	61*

*Applicable to heat pump models only, refer to installation manual for more details.

AIR ADJUSTMENT GRILLE

KPW5E112 | RZR18TAVJU, RZR24TAVJU, RZQ18TAVJU, RZQ24TAVJU

Ease of installation

Connected by a pair of refrigerant lines, few electrical connections, and no ductwork, indoor and outdoor units can be easily installed in existing spaces with minor disruption and often in a single day's work. The compact and lightweight designs combined with piping lengths up to 164 ft. and minimal wiring allow installation with minimal time and costs.

FAQ18/24TAVJU

Space required for installation (in.)

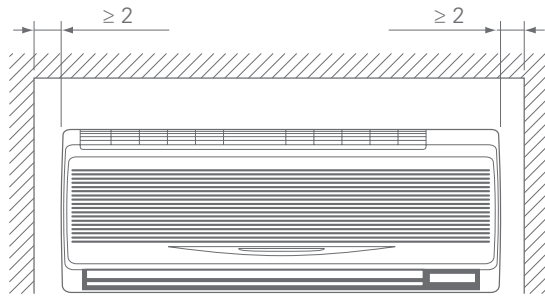


Figure 1

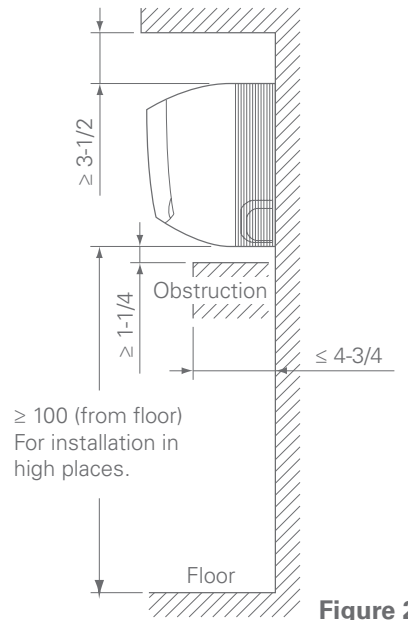
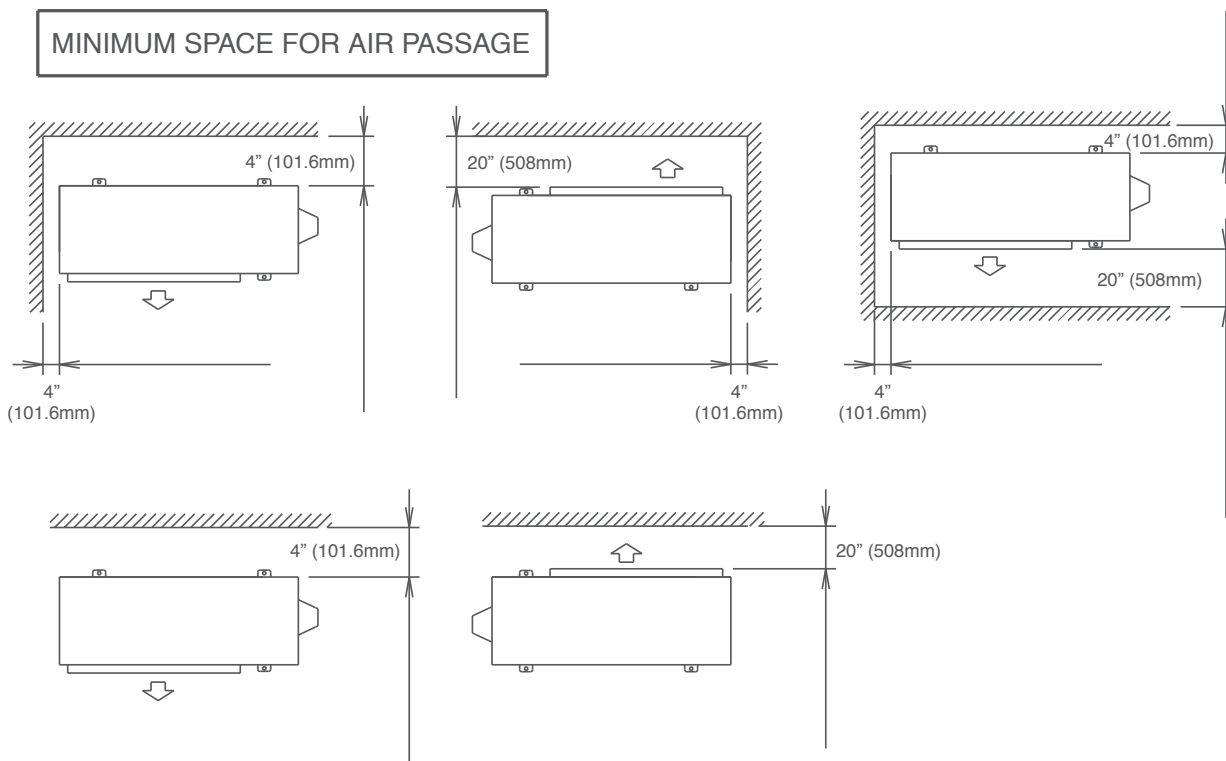


Figure 2

RZR18/24TAVJU, RZQ18/24TAVJU

Space required for installation (in.)





About Daikin:

Daikin Industries, Ltd. (DIL) is a global Fortune 1000 company which celebrated its 90th anniversary in May 2014. The company is recognized as the largest HVAC (Heating, Ventilation, Air Conditioning) manufacturers in the world. DIL is primarily engaged in developing indoor comfort systems and refrigeration products for residential, commercial and industrial applications. Its consistent success is derived, in part, from a focus on innovative, energy-efficient and premium quality indoor climate and comfort management solutions.



WARNINGS:

- » Always use a licensed installer or contractor to install this product. Do not try to install the product yourself. Improper installation can result in water or refrigerant leakage, electrical shock, fire or explosion.
- » Use only those parts and accessories supplied or specified by Daikin. Ask a licensed contractor to install those parts and accessories. Use of unauthorized parts and accessories or improper installation of parts and accessories can result in water or refrigerant leakage, electrical shock, fire or explosion.
- » Read the User's Manual carefully before using this product. The User's Manual provides important safety instructions and warnings. Be sure to follow these instructions and warnings.
- » For any inquiries, contact your local Daikin sales office.



ADDITIONAL INFORMATION

Before purchasing this appliance, read important information about its estimated annual energy consumption, yearly operating cost, or energy efficiency rating that is available from your retailer.

