



# *Dana Australia Parts Quick Reference Guide*

March 2020

---



# Contents

3	Dana Australia Sales & Customer Service Contact List
4	How to Use this Catalogue
8	Diff Carrier Overhaul Kits
10	Diff Carrier Assemblies
17	Diff Gear Sets
23	Diff Case Kits
28	Diff Seals & Pinion Nuts
29	Pinion Seal Installation Tools
30	Other Diff Kits
35	Axle Shafts
37	Diff Yokes & Hardware
40	Axle Housings
41	King Pin Kits
42	Tie Rod Ends /Cross Link Assemblies
44	Centre Bearing Kits
45	UJ Kits
46	Driveshaft Small Parts
47	Driveshaft BOMs
60	ADB22X Disc Brake Parts
64	ESD225 Disc Brake Parts
65	Brake Assembly Drawings
67	Bendix Drum Brake Service Parts
72	Dana Online Information
74	Notes

# Dana Australia Sales & Customer Service Contact List

## Brad Wolstenholme

*Head of Sales & Marketing*

+61 418 972 143

Email [brad.wolstenholme@dana.com](mailto:brad.wolstenholme@dana.com)

## Customer Service & Product Support

### Warren Farrugia

*Customer Service Manager*

+61 408 308 995

Email [warren.farrugia@dana.com](mailto:warren.farrugia@dana.com)

### Suzanne Westwell

*Senior Customer Service Coordinator*

1300 00 DANA

Email [aus.spicer@dana.com](mailto:aus.spicer@dana.com)

### Vivian Cameron

*Support Coordinator*

1300 00 DANA

Email [aus.spicer@dana.com](mailto:aus.spicer@dana.com)

## Technical Support

### Shane Carey

*Product Support Manager*

+61 438 559 385

Email [shane.carey@dana.com](mailto:shane.carey@dana.com)

### Nicole Noy

*Product Support Officer*

+61 3 8779 8577

Email [nicole.noy@dana.com](mailto:nicole.noy@dana.com)

## Commercial Vehicle

### Peter Verde

*Sales Manager – OE*

+61 408 136 824

Email [peter.verde@dana.com](mailto:peter.verde@dana.com)

### Paul French

*Business Development Manager*

+61 408 136 824

Email [paul.french@dana.com](mailto:paul.french@dana.com)

### Jock Pickford

*Fleet Manager*

+61 408 571 498

Email [jock.pickford@dana.com](mailto:jock.pickford@dana.com)

## Aftermarket

### John Ramsey

*Sales Manager – Aftermarket*

+61 425 777 915

Email [john.ramsey@dana.com](mailto:john.ramsey@dana.com)

### Jagath Dharmabandu

*Program Manager – Aftermarket*

+61 419 499 436

Email [jagath.dharmabandu@dana.com](mailto:jagath.dharmabandu@dana.com)

# How to Use This Catalogue

This Quick Reference Guide is organized in sections according to parts servicing requirements. Use the Contents or page headings to find information.

Use this book to order parts for your Dana® Spicer® Axle and Driveshaft parts.

## Kits and Assemblies:

Kits and Assemblies contain groups of individual or assembled parts developed for optimal replacement or repair of a service problem.

## Abbreviations:

- AR - As Required - Parts that vary in quantity with each axle. Example: shims
- NSS - Not Serviced Separately - Items which can only be purchased in sets, kit form or service assemblies. Example: brake shoes.
- RH/LH - Right Hand/Left Hand - Determined as viewed from behind the vehicle looking forward.
- "RTV" - Gasket Compound - Formed-in-place gasket sealer. It is recommended for use on all surfaces requiring a gasket
- Assy - Assembly
- Brg - Bearing
- Diff - Differential
- Hsg - Housing
- Inv - Involute
- ABS - Antilock Brake System
- N/A - Not Applicable
- Str - Straight
- Tpr - Tapered
- DCDL - Driver Controlled Diff Lock



# How to Use This Catalogue

## Model Identification:

Locating Model Designation Information.

Axle Model Identification, Part Number and Serial Number are located on a tag at the axle centerline. This information will help to locate information in this reference guide and to identify the correct parts for servicing.

## Drive Axles:

### Drivehead Model Progression

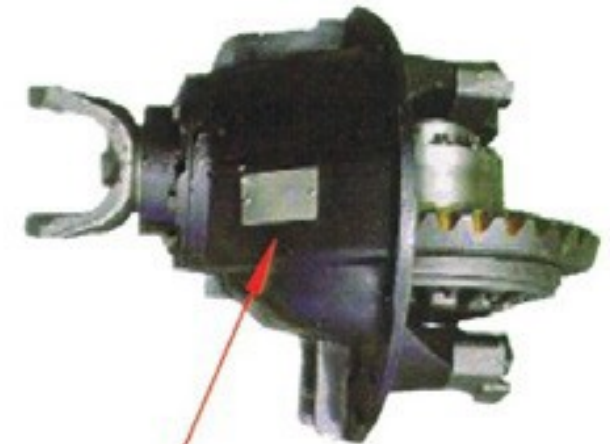
DS380	DS381	DS401	<b>DS451</b>
DS404	DS454		<b>DSH40</b>
DS440	DS460	DS480	<b>DS461</b>
DT480			<b>DT461</b>

Forward Tandem DS Carrier



Tag Location

Rear Tandem/Single Axle Carrier Assembly

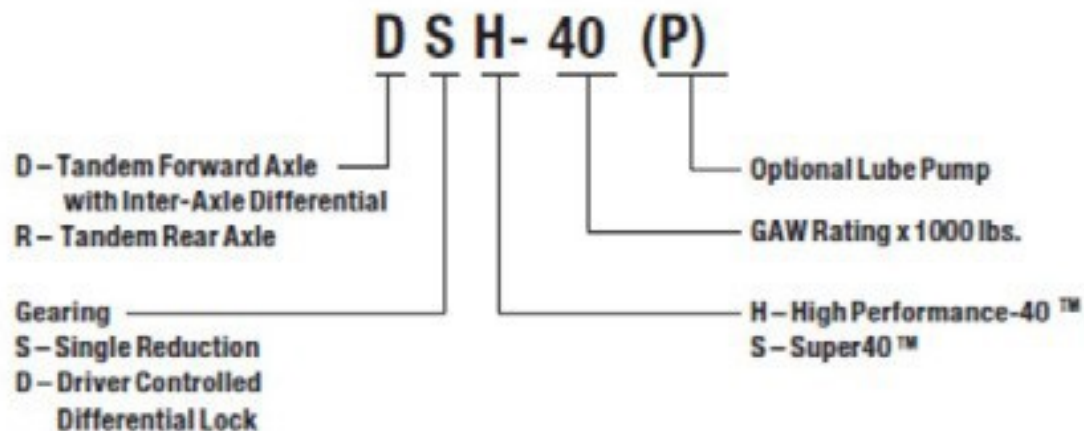
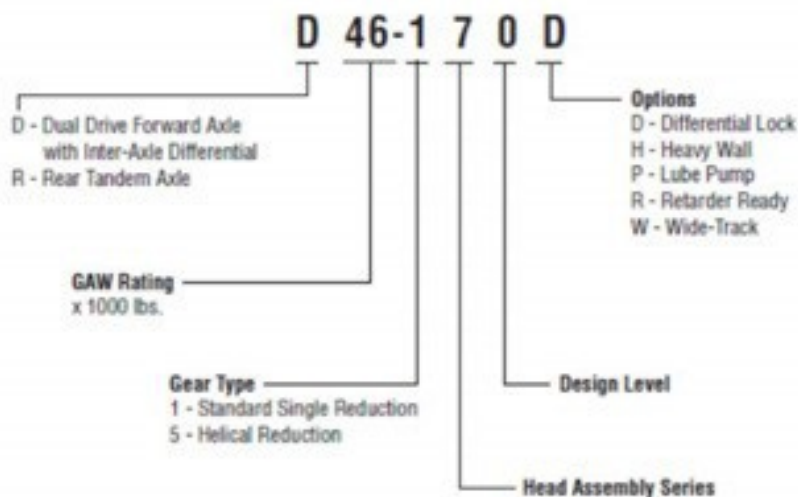


Tag Location

# How to Use This Catalogue

## Using Model Designation to Identify Axle Components:

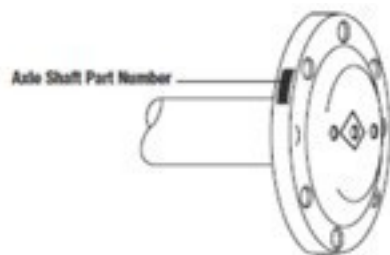
The Axle Model Identification number contains information that is important to understand when purchasing service parts or new components. The Model Identification number provides important vehicle, capacity and application information and model features. Use this guideline to understand your Axle Model Identification. If you need assistance, contact your Dana Aftermarket representative.



# How to Use This Catalogue

## Axle Shafts:

The axles illustrated in this book are specified with a variety of different axle shafts, according to OEM specifications. When ordering replacement axle shafts, note the part number stamped into the flange.



## Driveshaft Abbreviations:

- C/B – Centre Bearing
- HR – Half Round
- FR – Full Round
- U/J – Universal Joint
- BOM – Bill of Materials
- OSR - Outside Snap Rings
- ISR – Inside Snap Rings
- BP – Bearing Plate



# Diff Carrier Overhaul Kits

## Forward Axles Only

Axle Model	Description	Notes	Dana Part Number
D170P	Overhaul Kit D170 only	<i>For carriers built before 10th June 2013</i>	514238
D170DP	Overhaul kit D170D Diff Lock only	<i>For carriers built before 10th June 2013</i>	514011
D170P	Overhaul Kit D170 only	<i>For carriers built on or after 10th June 2013</i>	504126
D170DP	Overhaul kit D170D Diff Lock only	<i>For carriers built on or after 10th June 2013 ALL LOCAL TRUCKS</i>	504127
D190P & D190DP	Overhaul Kit D190 All models	<i>For carriers built before 10th June 2013</i>	514012
D190P & D190DP	Overhaul Kit D190 All models	<i>For carriers built on or after 10th June 2013</i>	504128
DSH40P	Bearing Kit Suits DSH40 & DSH44	<i>For carriers built after 18th June 2008</i>	504030
DDH40P	Bearing Kit Suits DDH40 & DDH44 Diff Lock	<i>For carriers built after 18th June 2008</i>	504031
DSH40P	Bearing Kit suits DSH40 & DSH44	<i>For carriers built before 18th June 2008</i>	510393
DDH40P	Bearing Kit Suits DDH40 & DDH44 Diff Lock	<i>For carriers built before 18th June 2008</i>	510399
DS461P	Overhaul Kit Suits 461, 521 & 581		122437
DD461P	Overhaul Kit Suits 461, 521 & 581 Diff Lock		217621
DT461P	Overhaul Kit Suits 461, 521 & 581 Two Speed		122421
DS451P	Overhaul Kit Suits 341, 402P & 451P	<i>For carriers built after 6th April 1989</i>	124487
DS451P	Bearing Kit Suits 341, 402P & 451P	<i>For carriers built after 6th April 1989</i>	211222
DS451P	Overhaul Kit Suits 381P, 402P, 401P & DS451P	<i>For carriers built after 6th April 1989</i>	114399
DS451P	Bearing Kit Suits 381P, 420P, 401P & 451P	<i>For carriers built after 6th April 1989</i>	114394



# Diff Carrier Overhaul Kits



## Rear Axles Only

Axle Model	Description	Notes	Dana Part Number
R170	Overhaul Kit R170 2.69 > 3.91 ratios R170 only	<i>For carriers built before 10th June 2013</i>	514013
R170	Overhaul Kit R170 4.10 > 7.17 ratios R170 only	<i>For carriers built before 10th June 2013</i>	514014
R170	Overhaul Kit R170 2.69 > 3.91 ratios	<i>For carriers built on or after 10th June 2013</i>	504129
R170	Overhaul Kit R170 4.10 > 7.17 ratios	<i>For carriers built on or after 10th June 2013</i>	504130
R170D	Overhaul Kit R170 2.69 > 3.91 ratios diff lock only	<i>For carriers built before 10th June 2013</i>	514239
R170D	Overhaul Kit R170 4.10 > 7.17 ratios diff lock only	<i>For carriers built before 10th June 2013</i>	514240
R170D	Overhaul Kit R170 2.69 > 3.91 ratios diff lock only	<i>For carriers built on or after 10th June 2013</i>	504131
R170D	Overhaul Kit R170 4.10 > 7.17 ratios diff lock only	<i>For carriers built on or after 10th June 2013</i>	504132
R190/D	Overhaul Kit R190/D 2.53 > 4.78 ratios	<i>For carriers built on or after 10th June 2013</i>	504131
R190/D	Overhaul Kit R190/D 5.25 > 7.83 ratios	<i>For carriers built on or after 10th June 2013</i>	504133
RSH40	Bearing Kit suits RSH40 & RSH44		510398
RDH40	Bearing Kit suits RSH40 & RSH44 diff lock only		510400
RS461	Overhaul Kit suits 461, 521 & 581		122434
RD461	Overhaul Kit suits 461, 521 & 581 diff lock		217622
RT461	Overhaul Kit suits 461, 521 & 581 two speed		122424
RS451	Overhaul Kit suits 341, 402 & 451	<i>For carriers built after 6th April 1989</i>	211218
RS451	Bearing Kit suits 341, 402 & 451	<i>For carriers built after 6th April 1989</i>	211223
RS451	Overhaul Kit suits 341, 381, 401,402 & 451	<i>For carriers built after 6th April 1989</i>	110555
RS451	Bearing Kit suits 341, 381, 401,402 & 451	<i>For carriers built after 6th April 1989</i>	99041

# Diff Carrier Assemblies



Note 50-170 axles use 46-170 diff carriers

D46-170P Front Diff Carrier Diff Lock Friendly	
Ratio	Dana Part Number
3.07	10000124
3.21	10000125
3.42	10000126
3.58	10000127
3.73	10000128
3.91	10000129
4.10	10000130
4.30	10000131
4.56	10000132
4.78	10000133
5.25	10000134
5.38	10000135
5.57	10000136
6.14	10000137
6.83	10000138
7.17	10000139

R46-170 Rear Diff Carrier Diff Lock Friendly	
Ratio	Dana Part Number
3.07	1000072
3.21	1000073
3.42	1000074
3.58	1000075
3.73	1000076
3.91	1000077
4.10	1000078
4.30	1000079
4.56	1000080
4.78	1000081
5.25	1000082
5.38	1000083
5.57	1000084
6.14	1000085
6.83	1000086
7.17	1000087

D46-170DP Front Diff Carrier Diff Lock	
Ratio	Dana Part Number
3.07	515885
3.21	515886
3.42	515887
3.58	515888
3.73	515889
3.91	515890
4.10	515891
4.30	515892
4.56	515893
4.78	515894
5.25	515895
5.38	515896
5.57	515897
6.14	515898
6.83	515899
7.17	515900

R46-170D Rear Diff Carrier Diff Lock	
Ratio	Dana Part Number
3.07	515659
3.21	515660
3.42	515661
3.58	515662
3.73	515663
3.91	515664
4.10	515665
4.30	515666
4.56	515667
4.78	515668
5.25	515669

# Diff Carrier Assemblies

## D46-170 Fitted with Full Time Pump Drive heads

D170FL Diff Lock Ready	
Ratio	Part Number
3.58	10112570
3.73	10112571
3.91	10112572
4.10	10112573
4.30	10112574
4.56	10112575
4.78	10112576

D170DFL Diff Lock	
Ratio	Part Number
3.58	10112587
3.73	10112588
3.91	10112589
4.10	10112590
4.30	10112591
4.56	10112592
4.78	10112593



## Pump Assy Service Kit – 10086645-SER

Item	Description	Part Number
1	Pump Base	10112396
2	Pump Cap	10112397
3	Pump Shaft	10112398
4	O'Ring ID 85.32	10112400
5	O'Ring ID 101.19	10112401
6	O'Ring ID 110.72 (x2)	10112402
7	3/8" S/Steel Braided Hose	10112370
8	1/2" S/Steel Braided Hose	10112380
9	Pump Gerotor	PWG00008298
10	Pump Body	10112393



# Diff Carrier Assemblies



D52-190P Diff Lock Friendly	
Ratio	Dana Part Number
3.42	515901
3.58	515902
3.73	515903
3.91	515904
4.10	515905
4.30	515906
4.56	515907
4.78	515908
5.25	515909
5.38	515910
5.57	515911
6.14	515912
6.83	515913
7.17	515914

R52-190 Diff Lock Friendly	
Ratio	Dana Part Number
3.91	515735
4.10	515736
4.30	515737
4.56	515738
4.78	515739
5.25	515740
5.38	515741
5.57	515742

D52-190DP Diff Lock	
Ratio	Dana Part Number
3.42	515930
3.58	515931
3.73	515932
3.91	515933
4.10	515934
4.30	515935
4.56	515936
4.78	515937
5.25	515938
5.38	515939
5.57	515940
6.14	515941
6.83	515942
7.17	515943

R52-190D Diff Lock	
Ratio	Dana Part Number
3.91	515757
4.10	515758
4.30	515759
4.56	515760
4.78	515761
5.25	515762
5.38	515763
5.57	515764

# Diff Carrier Assemblies



DSH40P Front Diff Carrier	
Ratio	Dana Part Number
3.55	514590
3.70	514591
3.90	514592
4.11	514593
4.33	514594
4.63	514581
4.88	514582
5.29	514583
5.57	514584
6.17	514585

RSH40 Rear Diff Carrier	
Ratio	Dana Part Number
3.08	510254
3.25	510255
3.36	510256
3.55	510217
3.70	510257
3.90	510258
4.11	510136
4.33	510259
4.63	510260
4.88	510261
5.29	510273
5.57	510275
6.17	510461

DDH40P Front Diff Carrier Diff Lock	
Ratio	Dana Part Number
3.55	514673
3.70	514674
3.90	514675
4.11	514676
4.33	514677
4.63	514664
4.88	514665
5.29	514666
5.57	514667
6.17	514668
6.50	514616

RDH40 Rear Diff Carrier Diff Lock	
Ratio	Dana Part Number
3.08	510235
3.25	510236
3.36	510237
3.55	510238
3.70	510239
3.90	510240
4.11	510241
4.33	510242
4.63	510243
4.88	510244
5.29	510277
5.57	510279
6.17	511526
6.50	512691

# Diff Carrier Assemblies

Note: 461 Diff Carriers are used in 461, 462, 463, 521, 581 & 601 axle assemblies



DS461P Front Diff Carrier	
Ratio	Dana Part Number
3.55	DS461P355CF
3.70	DS461P370CF
3.90	DS461P390CF
4.11	DS461P411CF
4.33	DS461P433CF
4.56	DS461P456CF
4.88	DS461P488CF
5.29	DS461P529CF
5.43	DS461P543CF
6.17	DS461P617CF

RS461 Rear Diff Carrier	
Ratio	Dana Part Number
3.55	RS461355CF
3.70	RS461370CF
3.90	RS461390CF
4.11	RS461411CF
4.33	RS461433CF
4.56	RS461456CF
4.88	RS461488CF
5.29	RS461529CF
5.43	RS461543CF
6.17	RS461617CF
6.50	RS461650CF
6.67	RS461667CF
7.17	RS461717CF

DD461P Front Diff Carrier Diff Lock	
Ratio	Dana Part Number
3.55	DD461P355CF
3.70	DD461P370CF
3.90	DD461P390CF
4.11	DD461P411CF
4.33	DD461P433CF
4.56	DD461P456CF
4.88	DD461P488CF
5.29	DD461P529CF
5.43	DD461P543CF
6.17	DD461P617CF

RD461 Rear Diff Carrier Diff Lock	
Ratio	Dana Part Number
3.55	RD461355CF
3.70	RD461370CF
3.90	RD461390CF
4.11	RD461411CF
4.33	RD461433CF
4.56	RD461456CF
4.88	RD461488CF
5.29	RD461529CF
5.43	RD461543CF
6.17	RD461617CF
6.50	RD461650CF
6.67	RD461667CF
7.17	RD461717CF

# Diff Carrier Assemblies

**Note: 461 Diff Carriers are used in 461, 462, 463, 521,581 & 601 Axle assemblies**



DT461P Front Carrier Two Speed	
Ratio	Dana Part Number
3.70 / 5.04	DT461P370504CF
3.90 / 5.31	DT461P390531CF
4.11 / 5.60	DT461P411560CF
4.33 / 5.90	DT461P433590CF
4.56 / 6.20	DT461P456620CF
4.88 / 6.64	DT461P488664CF
5.43 / 7.39	DT461P543739CF
6.17 / 8.40	DT461P417840CF

RT461 Rear Carrier Two Speed	
Ratio	Dana Part Number
3.70 / 5.04	RT461370504CF
3.90 / 5.31	RT461390531CF
4.11 / 5.60	RT461411560CF
4.33 / 5.90	RT461433590CF
4.56 / 6.20	RT461456620CF
4.88 / 6.64	RT461488664CF
5.43 / 7.39	RT461543739CF
6.17 / 8.40	RT461417840CF

# Diff Carrier Assemblies



DS451P Front Diff Carrier	
Ratio	Dana Part Number
3.55	DS451P355CF
3.70	DS451P370CF
3.90	DS451P390CF
4.11	DS451P411CF
4.33	DS451P433CF
5.29	DS451P529CF
5.57	DS451P557CF

RS451 Rear Diff Carrier	
Ratio	Dana Part Number
3.36	RS451336CF
3.55	RS451355CF
3.70	RS451370CF
3.90	RS451390CF
4.33	RS451433CF
4.88	RS451488CF
5.29	RS451529CF
6.14	RS451614CF



# Diff Gear Sets

\*All Dana Spicer service gear sets contain the pinion nut

\*Gear sets suit both standard and diff lock carriers



D46-170P Gear Sets				
Ratio	Kit Part Number	Gear Part Number	Pinion Part Number	Tooth Count
3.07	513882	131281	131250	43-14
3.21	513883	131282	131261	45-14
3.42	513885	131283	131253	41-12
3.58	513886	131284	131254	43-12
3.73	513887	131283	131255	41-11
3.91	513888	132284	131256	43-11
4.10	513889	131283	131257	41-10
4.30	513890	131284	131258	43-10
4.56	513891	131285	131259	41-9
4.78	513892	131286	131260	43-9
5.25	513893	131287	131261	42-8
5.38	513894	131288	131262	43-8
5.57	513895	131289	131263	39-7
6.14	513896	131288	131264	43-7
6.83	513897	131290	131265	41-6
7.17	513898	131288	131266	43-6

R46-170 Gear Sets				
Ratio	Kit Part Number	Gear Part Number	Pinion Part Number	Tooth Count
3.07	513917	131183	131150	43-14
3.21	513918	131185	131151	45-14
3.42	513920	131186	131153	41-12
3.58	513921	131187	131154	43-12
3.73	513922	131186	131155	41-11
3.91	513923	131187	131156	43-11
4.10	513924	131186	131157	41-10
4.30	513925	131187	131158	43-10
4.56	513926	131188	131159	41-9
4.78	513927	131189	131160	43-9
5.25	513928	131190	131161	42-8
5.38	513929	131460	131456	43-8
5.57	513930	131461	131457	39-7
6.14	513931	131460	131458	43-7
6.83	513932	131462	131459	41-6
7.17	513933	131463	131475	43-6

# Diff Gear Sets

- \*All Dana Spicer service gear sets contain the pinion nut
- \*Gear sets suit both standard and diff lock carriers



D52-190P Gear Sets				
Ratio	Kit Part Number	Gear Part Number	Pinion Part Number	Tooth Count
3.42	513899	131283	131267	41-12
3.58	513900	131284	131268	43-12
3.73	513901	131283	131269	41-11
3.91	513902	131284	131270	43-11
4.10	513903	131283	131271	41-10
4.30	513904	131284	131272	43-10
4.56	513905	131285	131273	41-9
4.78	513906	131286	131274	43-9
5.25	513907	131287	131275	42-8
5.38	513908	131288	131276	43-8
5.57	513909	131289	131277	39-7
6.14	513910	131288	131278	43-7
6.83	513911	131290	131279	41-6
7.17	513912	131288	131280	43-6

R52-190 Gear Sets				
Ratio	Kit Part Number	Gear Part Number	Pinion Part Number	Tooth Count
3.07	513938	131191	131165	43-14
3.21	513939	131193	131166	45-14
3.42	513941	131194	131168	41-12
3.58	513942	131195	131169	43-12
3.73	513943	131194	131170	41-11
3.91	513944	131195	131171	43-11
4.10	513945	131194	131172	41-10
4.30	513946	131195	131176	43-10
4.56	513947	131194	131174	41-9
4.78	513948	131195	131175	43-9
5.25	513949	131196	131176	42-8
5.38	513950	131197	131177	43-8
5.57	513951	131198	131178	39-7
6.14	513952	131197	131179	43-7
6.83	513953	131198	131180	41-6
7.17	513954	131197	131181	43-6

# Diff Gear Sets

\*All Dana Spicer service gear sets contain the pinion nut

\*Gear sets suit both standard and diff lock carriers



DSH40P Gear Sets				
Ratio	Kit Part Number	Gear Part Number	Pinion Part Number	Tooth Count
3.55	510107	129721	129725	39-11
3.70	510108	129723	129727	37-10
3.90	510109	129721	129729	39-10
4.11	510110	129723	129730	37-9
4.33	510111	129721	129732	39-9
4.63	513378	129733	129734	37-8
4.88	513377	129736	129735	39-8
5.29	513376	129734	129816	37-7
5.57	513375	129736	129820	39-7
6.17	513374	129734	129843	37-6
6.50	511571	129736	127454	39-6

RSH40 Gear Sets				
Ratio	Kit Part Number	Gear Part Number	Pinion Part Number	Tooth Count
3.08	513373	129738	129737	37-12
3.25	510115	129740	129739	39-12
3.36	510116	129742	129741	37-11
3.55	510117	129740	129743	39-11
3.70	510118	129742	129744	37-10
3.90	510119	129740	129745	39-10
4.11	510120	129742	129746	37-9
4.33	510121	129740	129747	39-9
4.63	513365	129749	129748	37-8
4.88	513364	129751	129750	39-8
5.29	513363	129749	129818	37-7
5.57	513362	129751	129822	39-7
6.17	513361	129749	129844	37-6
6.50	211493	130206	127435	39-6

# Diff Gear Sets

\*All Dana Spicer service gear sets contain the pinion nut

\*Gear sets suit both standard and diff lock carriers



DS461P Gear Sets				
Ratio	Kit Part Number	Gear Part Number	Pinion Part Number	Tooth Count
3.55	122667	126678	126679	39-11
3.70	122334	98610	126161	37-10
3.90	123333	99900	127047	39-10
4.11	122335	94381	126162	37-9
4.33	122336	78856	126163	39-9
4.56	122337	78858	126164	41-9
4.88	122338	78860	126165	39-8
5.29	211333	127339	127327	37-7
5.43	122339	78862	126166	38-7
6.17	122340	78864	126167	37-6

RS461 Gear Sets				
Ratio	Kit Part Number	Gear Part Number	Pinion Part Number	Tooth Count
3.55	122668	111349	126677	39-11
3.70	121887	88500	126120	37-10
3.90	123334	99896	127048	39-10
4.11	121888	88502	126121	37-9
4.33	121889	52999	126118	39-9
4.56	121890	73312	126125	41-9
4.88	507378	53001	126119	39-8
5.29	211335	127338	127328	37-7
5.43	121892	53003	126122	38-7
6.17	121893	53005	126123	37-6
6.50	212891	128030	128031	39-6
6.67	213288	53007	128054	40-6
7.17	512172	129528	129525	43-6

# Diff Gear Sets

\*All Dana Spicer service gear sets contain the pinion nut

\*Gear sets suit both standard and diff lock carriers



DT461P Gear Sets

Ratio	Kit Part Number	Gear Part Number	Pinion Part Number	Tooth Count
3.70 / 5.04	122387	126567	126161	37-10
3.90 / 5.31	124444	127183	127047	39-10
4.11 / 5.60	122388	126569	126162	37-9
4.33 / 5.90	122389	126571	126163	39-9
4.56 / 6.20	122390	126573	126164	41-9
4.88 / 6.64	122391	126575	126165	39-8
5.43 / 7.39	122392	126577	126166	38-7
6.17 / 8.40	122393	126579	126167	37-6

RT461 Gear Sets

Ratio	Kit Part Number	Gear Part Number	Pinion Part Number	Tooth Count
3.70 / 5.04	122394	126568	126120	37-10
3.90 / 5.31	124445	127184	127048	39-10
4.11 / 5.60	122395	126570	126121	37-9
4.33 / 5.90	122396	126572	126118	39-9
4.56 / 6.20	122397	126574	126125	41-9
4.88 / 6.64	122398	126576	126119	39-8
5.43 / 7.39	211239	126578	126122	38-7
6.17 / 8.40	122400	126589	126123	37-6

# Diff Gear Sets

\*All Dana Spicer service gear sets contain the pinion nut

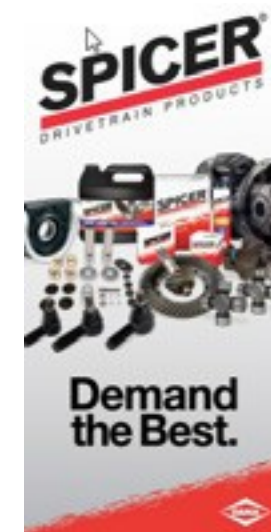
\*Gear sets suit both standard and diff lock carriers



DS451P Gear Sets				
Ratio	Kit Part Number	Gear Part Number	Pinion Part Number	Tooth Count
3.36	217980	120042	129197	37-11
3.70	217982	88000	129199	37-10
3.90	217983	99742	129200	39-10
4.11	217984	86356	129201	37-9
4.33	217985	86358	129202	39-9
4.56	217986	86360	129203	41-9
5.57	217989	86366	129207	39-7
6.57	217991	129222	129209	39-6

RS451 Gear Sets				
Ratio	Kit Part Number	Gear Part Number	Pinion Part Number	Tooth Count
3.36	217996	120045	129178	37-11
3.55	217997	109862	129179	39-11
3.70	217998	88013	129180	37-10
4.11	218000	86372	129182	37-9
4.33	218001	86374	129183	39-9
5.57	218005	86880	129188	39-7
6.57	218007	113456	129218	39-6

# Diff Case Kits



Carriers built (in North America) on or after 10th June 2013

All 170 Diff Case Kits Contain 16 bolts P/N 131473

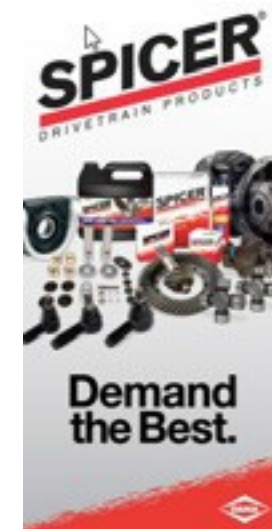
D46-170P Kits – Diff Lock Friendly			
Ratio	Service Kit	Flange Half	Plain Half
3.07 > 3.21	504142	139996	140001
3.42 > 3.58	504140	139997	140000
3.73	504139	139997	139999
3.91	504141	139998	139999
4.10 > 4.78	504148	139998	140025
5.25 > 5.57	504140	139997	140000
6.14	504141	139998	139999
6.83 > 7.17	504148	139998	140025

R46-170 Kits – Diff Lock Friendly			
Ratio	Service Kit	Flange Half	Plain Half
3.07 > 3.21	504143	139996	140000
3.42 > 3.58	504140	139997	140000
3.73	504143	139996	140000
3.91	504141	139998	139999
4.10 > 5.57	504148	139998	140025
6.14	504139	139997	139999
6.83 > 7.17	504148	139998	140025

# Diff Case Kits

Carriers built (in North America) on or after 10th June 2013

All 190 Diff Case Kits Contain 16 bolts P/N 131473



D52-190P Kits - Diff Lock Friendly			
Ratio	Service Kit	Flange Half	Plain Half
3.42 > 3.58	504140	139997	140000
3.73	504139	139997	139999
3.91	504141	139998	139999
4.10 > 4.78	504148	139998	140025
5.25 >.5.57	504140	139997	140000
6.14	504141	139998	139999
6.83 > 7.17	504148	139998	140025

R52-190 Kits - Diff Lock Friendly			
Ratio	Service Kit	Flange Half	Plain Half
3.21 >3.42	504143	139996	140000
3.58 > 3.91	504140	139997	140000
4.10	504139	139997	139999
4.30	504141	139998	139999
4.56 > 5.25	504148	139998	140025
5.38	504140	139997	140000
5.57 > 6.14	504139	139997	139999
6.83 > 7.83	504148	139998	140025



# Diff Case Kits

All DSH/RSH40 Diff case Kits contain 12 Cap screws P/N 127465



DSH40 Kits			
Ratio	Service Kit	Flange Half	Plain Half
2.64 > 3.08	508653	129464	132437
3.25 > 3.90	508654	133739	132437
4.11 > 4.88	508655	133739	132437
5.29 > 7.17	508656	133740	132437

RSH40 Kits			
Ratio	Service Kit	Flange Half	Plain Half
2.64 > 3.08	508653	129464	132437
3.25 > 3.90	508654	133738	132437
4.11 > 4.88	508655	133739	132437
5.29 > 7.17	508656	133740	132437

DDH40P Kits			
Ratio	Service Kit	Flange Half	Plain Half
2.64 > 3.08	508724	129464	128607
3.25 > 3.90	508725	133738	128607
4.11 > 4.88	508726	133739	128607
5.29 > 7.17	508727	133740	128607

RDH40 Kits			
Ratio	Service Kit	Flange Half	Plain Half
2.64 > 3.08	508724	129464	128607
3.25 > 3.90	508725	133738	128607
4.11 > 4.88	508726	133739	128607
5.29 > 7.17	508727	133740	128607

# Diff Case Kits

All DS461/RS461 Diff case Kits contain 12 Cap screws P/N 88503



DS461P Kids			
Ratio	Service Kit	Flange Half	Plain Half
3.55 > 4.11	98610	88501	86777
4.33 > 6.67	121845	126234	86777

RS461 Kits			
Ratio	Service Kit	Flange Half	Plain Half
3.55 > 4.11	98610	88501	86777
4.33 > 6.67	121845	126234	86777

DD461P Kits			
Ratio	Service Kit	Flange Half	Plain Half
3.55 > 4.11	217619	128980	86777
4.33 > 6.67	217620	128981	86777

RD461 Kits			
Ratio	Service Kit	Flange Half	Plain Half
3.55 > 4.11	217619	128980	86777
4.33 > 6.67	217620	128981	86777

# Diff Case Kits



DT461P Kits			
Ratio	Service Kit	Flange Half	Plain Half
ALL	N/A	126301	108138

RT461 Kits			
Ratio	Service Kit	Flange Half	Plain Half
ALL	N/A	126301	108138

**All DS451/RS451 Diff case Kits contain 12 Cap screws P/N 96271**

DS451P Kits			
Ratio	Service Kit	Flange Half	Plain Half
3.08 > 3.25	212202	127823	110438
3.36 > 5.29	106397	103865	110138
5.57 > 7.17	124374	88677	110138

RS451 Kits			
Ratio	Service Kit	Flange Half	Plain Half
3.08 > 3.25	212202	127823	110438
3.36 > 5.29	106397	103865	110138
5.57 > 7.17	124374	88677	110138

# Diff Seals & Pinion Nuts

All Models Listed Below

Input / Output & Rear Pinion Seals & Nuts



Diff Model	Seal Position	Seal Part Number	Nut Part Number	Thread Info	Nut Torque	Tool Size
D170 & D190	Front diff Input	131008K	131095	M48 - 1.5	900 ± 100 Lbs. Ft.	69mm
D170 & D190	Front diff output	210737	128049	M42 - 1.5	900 ± 100 Lbs. Ft.	55mm
R170 & R190	Rear diff pinion	131008K	131095	M48 - 1.5	900 ± 100 Lbs. Ft.	69mm
DSH & DDH40	Front diff Input	127591	128049	M42 - 1.5	840 - 1020 Lbs. Ft.	55mm
DSH & DDH40	Front diff output	127592	127588	M39 - 1.5	680 - 832 Lbs. Ft.	55mm
RSH40 & RDH40	Rear diff pinion	127591	127589	M36 - 1.5	575 - 703 Lbs. Ft.	55mm
DS/DD/DT461	Front diff Input	210736	126155	M48 - 1.5	840 - 1020 Lbs. Ft.	70mm
DS/DD/DT461	Front diff output	210737	128049	M42 - 1.5	789 - 996 Lbs. Ft.	55mm
RS/RD/RT461	Rear diff pinion	210724	128049	M42 - 1.5	840 - 1020 Lbs. Ft.	55mm
DS451	Front diff Input	127719	128049	M42 - 1.5	840 - 1020 Lbs. Ft.	55mm
DS451	Front diff output	127720	127589	M36 - 1.5	840 - 1020 Lbs. Ft.	55mm
RS451	Rear diff pinion	127721	127589	M36 - 1.5	575 - 703 Lbs. Ft.	55mm



START



CONTENTS



PREVIOUS PAGE



NEXT PAGE



END

# Pinion Seal Installation Tools

Dana changed the Input Seal & Rear Diff Pinion Seal in the D / R 170 & 190 Axles on 15th November 2017.  
Be sure to use the correct tooling as listed below.

Diff Model	Seal Driver Kit Part Number	Input Driver	Output Driver	Rear Pinion Driver
D170 & D190 <b>New Seal</b>	513349-1	210749 & 10095470	131471	210749 & 10095470
D170 & D190 <b>Old Seal</b>	513349	210749 & 131472	131471	210749 & 131472
DSH40 & RSH40	217414	126917	126917 & 128706	126917
DS461 & RS461	N/A	210749 & 210750	210751	210749
DS451 & RS451	212139	126917 & 127787	127786	126917



# Other Diff Kits

## Air Lockout Repair Kits:

Axle Model	Description	Dana Part Number
D170 & D190	Air Lockout Repair Kit	512892-A
D170 Only	Air Lockout Repair Kit - Complete with Fork	512893-A
DSH40 & DDH40	Air Lockout Repair Kit	510053
DSH40 & DDH40	Air Lockout Kit - Complete with Fork	510052
DS & DD461	Air Lockout Repair Kit	508457
DS & DD461	Air Lockout Repair Kit - Complete with Fork	217794
DS451	Air Lockout Repair Kit	508506
DS451	Air Lockout Repair Kit - Complete with Fork	217792



## Shift Motor Assemblies

Axle Model	Description	Dana Part Number
DD461	Air Shift Unit & Wiring Harness	129070
RD461	Air Shift Unit & Wiring Harness	129067
DT461	Air Shift Motor	73503
RT461	Air Shift Motor	73507



# Other Diff Kits

## Diff Lock Conversion Kits:

Dana Corporation's Commercial Vehicle Systems Group upgraded its Spicer D170 tandem axle line-up to provide differential lock ready axles as standard equipment. During the third quarter of 2011. Diff lock ready axle shafts have also been standard fitment since 2009.

This upgrade covered popular tandem axle models D46-170 and D50-170 Spicer axle carriers now come machined for driver-controlled wheel differential lock, and the internal components have been upgraded to allow easy, low cost conversions at the dealership. A conversion kit is available through normal OEM service parts channels available now. The kit will include the necessary mechanical components and installation instructions.



Axle Model	Description	Dana Part Number	Notes
170 & D190	Diff Lock Conversion Kit (Shift Fork # 131101)	512946	Built Before June 10th, 2013 - 3.91 to 7.17
170 & D190	Diff Lock Conversion Kit (Shift Fork # 131099)	512947	Built Before June 10th, 2013 - 3.31 to 3.73
170 & D190	Diff Lock Conversion Kit (Shift Fork # 140008)	504097-A	Built After June 10th, 2013 - All Ratios
170 & D190	Diff Lock Shift Parts Repair Kit	512895-A	All Diff lock Models

# Other Diff Kits

## Input Shaft Kits:

Axle Model	Dana Part Number	Notes
D170 & D190 Pump Models	513840	
DSH40P & DDH40P Pump Models	504181	Australian built axles before Feb 2010
DSH40P & DDH40P Pump Models	504182	Australian built axles from Feb 2010
DS461, DD461 & DT461 Pump Models	122418	
DS451P Pump Models	115126	
DS451 Non Pump Models	112122A	



## Output Shaft Kits & Bearing Kits:

Axle Model	Dana Part Number (Shaft Kit)	Dana Part Number (Bearing Kit)	Notes
D170 & D190	512894	504054	Replaced 513877
D170 & D190		504060	*Used in new design D170 & D190 SEE BELOW
DSH40P & DDH40P	216227	N/A	
DS461, DD461 & DT461	122419	78936	
DS451P	115123	46584A	



\*D170 New axle housings with repositioned snap ring groove built locally from 28th March 2012 Use kit 504060

\*D190 New bolt on covers with repositioned snap ring groove built locally from 1st Nov 2011 Use Kit 504060

Refer to Dana Bulletin DA022012 D170 & D190 Output Bearing change



START



CONTENTS



PREVIOUS PAGE



NEXT PAGE



END



# Other Diff Kits

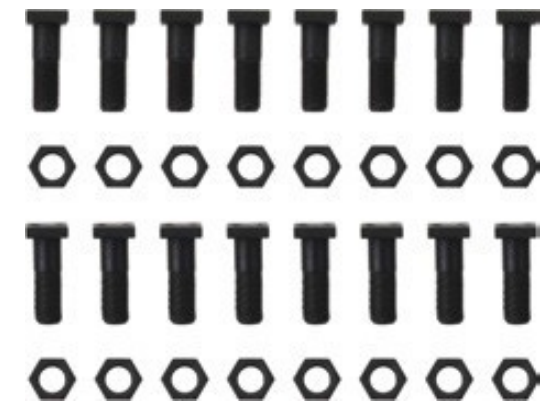
## Wheel Diff Side Gear Kits:



Axle Model	Dana Part Number	Notes
All D/R170 & D/R190	513868 (46 Inv splines)	All axles built before June 10th 2013
All D/R170 & D/R190	504096 (with thrust washers)	All axles built on or after June 10th 2013
DSH/DDH40P & RSH/RDH40	510397	
All DS/DD461P, RS/RD461	114472	
All DT461P & RT461	119393	
All DS451P & RS451	98853	

## Crown Wheel Bolt Kits:

Axle Model	Dana Part Number	Notes
All D/R170 & D/R190	131473 (bolt)	16 Required per axle
DSH/DDH40P & RSH/RDH40	508652	
All DS/DD461P, RS/RD461	70745	
All DT461P & RT461	87955	
All DS451P & RS451	70745	



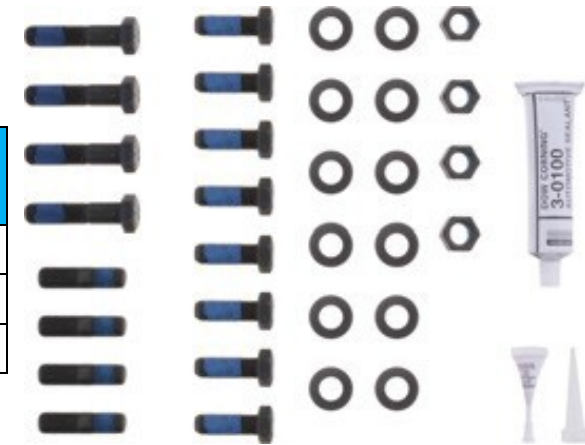
# Other Diff Kits

Axle Model	Description	Dana Part Number
D52-190	Fwd Axle Housing Rear Cover & Bearing Parts Kit	504061
D52-190	Power Divider Input Cover & Adjuster Kit	504188
D46-170	Power Divider Input Cover & Adjuster Kit	504189



## Carrier to Housing Fastening Kits:

Axle Model	Description	Dana Part Number
D170,190	Axle Hsg Hardware Kit- Fwd Axle (Carrier to Hsg)	512896
R170,190	Axle Hsg Hardware Kit- Rear Axle (Carrier to Hsg)	512897
DSH40P/RSH40	Axle Hsg Hardware Kit Fwd & Rear (Carrier to Hsg)	512087



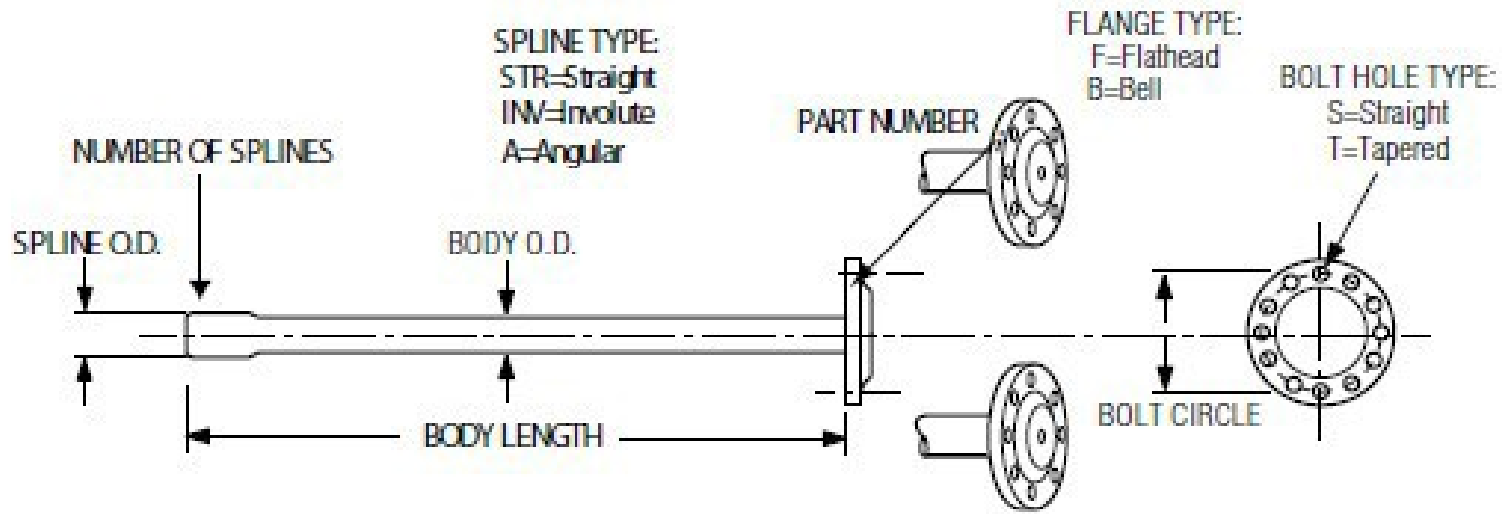
## Dana Spicer U-Tube Breather:

Axle Model	Description	Dana Part Number
All Dana Axles	Axle Vent Tube (Breather)	507162



# Axle Shafts

Axle Shafts are identified by the part number on the edge of flange or by using the dimensions as shown in the diagram below.



Part No	Body		Spline	Flange		Bolt	
	Length (in)	Diameter (in)	O.D. (in)	O.D. (in)	Circle (in)	No. Holes	Hole Type

# Axle Shafts



\* Dana Australia commonised axle shafts in 2009 replacing non diff lock axle shaft with diff lock for current production models.

Part No.	Model	Body		Spline			Flange				Diff Lock Spline	Position	
		Length (In)	Diam (In)	Type	No.	O.D (In)	Type	OD (In)	Bolt Circle (In)	Holes			Hole Type
131245	D/R170 & D/R190	46	2.25	Involute	46	2.350	B	8.500	7.000	8	948-TPR	11.50"	RHF & LHR
131246	D/R170 & D/R190	37	2.25	Involute	46	2.350	B	8.500	7.000	8	948-TPR		LHF & RHR
128435	DSH/DD & RS/RD40	43.307	1.87	Involute	41	2.100	B	8.500	7.000	8	635-STR	11.00	LHF & RHR
127437	DSH/DD & RS/RD40	38.976	1.87	Involute	41	2.105	B	8.500	7.000	8	635-STR		RHF & LHR
110889	DS/RS 461	40.875	2.06	Involute	36	2.313	B	8.500	7.000	8	635-STR		All
126965	DD/RD 461	41.313	2.25	Involute	36	2.313	B	8.500	7.000	8	948-TPR		LHF & RHR
128549HX	DD/RD 461	40.563	2.25	Involute	36	2.313	B	8.500	7.000	8	635-STR	11.50"	RHF & LHR
129520	DD/RD 521	42.216	2.25	Involute	36	2.313	B	8.500	7.000	8	948-TPR	11.50"	All

**Axle Shaft Fastening Hardware:** Note: Dana Australia use Loctite Sealant 5699 in place of an axle shaft gasket

## Straight Hole Axle Shafts

Lock Nut	Spring Washer	Sealant
90208	90422	5699

## Tapered Hole Axle Shafts

Lock Nut	Spring Washer	Sealant	Tapered Dowel
90208	90422	5699	132993

# Diff Yokes & Hardware

## Diff Yokes:



**Diff Models D170/D190**

Part Number	Series	Type	Position	Splines
250-4-08445-1X	SPL250	Half Round	Fwd Input	49 Inv
6-5-4-08443-1X	1810	Half Round	Fwd Input	49 Inv
131448	1810	Full Round	Fwd Input	49 Inv
131449	1710	Full Round	Fwd Output	41 Inv
131450K	1710	Full Round	Fwd Output	41 Inv
131451	SPL170	Half Round	Fwd Output	41 Inv
131439	1710	Full Round	Rear Pinion	49 Inv
131438	1710	Half Round	Rear Pinion	49 Inv
131444	1810	Full Round	Rear Pinion	49 Inv
131443	1810	Half Round	Rear Pinion	49 Inv
5008451	SPL170	Half Round	Rear Pinion	49 Inv

**Diff Models DSH40/RSH40**

Part Number	Series	Type	Position	Splines
6-4-8981-1X	1710	Full Round	Fwd Input	44 Inv
6-4-8981-1X	1710	Half Round	Fwd Input	44 Inv
6-3-4-5221-1X	1760	Half Round	Fwd Input	44 Inv
6-5-4-4571-1X	1810	Half Round	Fwd Input	44 Inv
6-5-4-4571X	1810	Full Round	Fwd Input	44 Inv
6-4-9001X	1710	Full Round	Fwd Output	39 Inv
6-4-9041X	1710	Full Round	Fwd Output	39 Inv
6-4-9031X	1710	Full Round	Rear Pinion	39 Inv
6-4-8991X	1710	Full Round	Rear Pinion	39 Inv
6-4-9031-1X	1710	Half Round	Rear Pinion	39 Inv

# Diff Yokes & Hardware

## Diff Yokes:



**Diff Models DS461/RS461**

Part Number	Series	Type	Position	Splines
128877	1710	Full Round	Fwd Input	46 Inv
6-5-4-4611X	1810	Full Round	Fwd Input	46 Inv
6-5-4-4611-1X	1810	Half Round	Fwd Input	46 Inv
250-4-101-1X	SPL250	Half Round	Fwd Input	46 Inv
6-4-9191X	1710	Full Round	Fwd Output	41 Inv
6-5-4-4621X	1810	Full Round	Fwd Output	41 Inv
170-4-321-1X	SPL170	Half Round	Fwd Output	41 Inv
5-4-7571X	1610	Full Round	Rear Pinion	41 Inv
6-4-9181X	1710	Full Round	Rear Pinion	41 Inv
6-4-9181X	1710	Half Round	Rear Pinion	41 Inv
6-5-4-4601X	1810	Full Round	Rear Pinion	41 Inv
170-4-381-1X	SPL170	Half Round	Rear Pinion	41 Inv

**Diff Models DS451/RS451**

Part Number	Series	Type	Position	Splines
6-4-8551X	1710	Full Round	Fwd Input	44 Inv
6-5-4-4351X	1810	Full Round	Fwd Input	44 Inv
6-4-8511X	1710	Full Round	Fwd Output	34 Inv
6-4-8531X	1710	Full Round	Rear Pinion	39Inv
6-4-8541X	1710	Full Round	Rear Pinion	39Inv

# Diff Yokes & Hardware

## Strap and Bolt Kits:

U Joint Series	Kit Part No.	Strap No.	Bolt No.	Bolt Torque
1610	5-70-28X	5-70-119	6-73-412	45-60 Lb.Ft.
1710/1760/1810	6-5-70-18X	6-5-70-89	8-73-316	115-135 Lb.Ft.
SPL170	170-70-18X	170-70-19	5007417	100-125 Lb.Ft.
SPL250	250-70-18X	250-70-39	5077417	100-125 Lb.Ft.

Note: 2 Straps or 2 Retainers and 4 Bolts are in each kit.



## Bearing Cap / Spring Tab Hardware:

Lock Strap Style	U Joint Series	Bolt No.	Used with Lock Strap No.
1	1610	5-73-109	98-741
	1710/1760/1810	6-73-209	
1	1710/1760/1810	6-73-109	230323
	1610	6-73-412	
2	SPL170/250	8-73-114M	232584



Note: Dana does not recommend re-use of self-locking bolts and does not recommend using serrated head, self-locking bolts with lock straps.

# Axle Housings

Part Number	Axle Model	Description	Comments
321548	DSH/DDH40	Forward Axle Housing	
321550	RSH/RDH40	Rear Axle Housing	
324252	D46-170	Forward Axle Housing	<i>Use output bearing kit P/N 504060</i>
321982	R46-170	Rear Axle Housing	
324253	D50-170	Forward Axle Housing	<i>Use output bearing kit P/N 504060</i>
322456	R50-170	Rear Axle Housing	
322274	D52-190	Forward Axle Housing	<i>Use Rear Cover Kit P/N 504061 Includes Bearing Kit 504060</i>
322276	R52-190	Rear Axle Housing	
319052	DS463	Forward Axle Housing	<i>Also used for DS461 &amp; DS462 / Use Rear Cover P/N 217577</i>
319054	RS463	Rear Axle Housing	<i>Also used for RS461 &amp; RS462</i>
307608	DS521	Forward Axle Housing	<i>Short Track</i>
307610	RS521	Rear Axle Housing	<i>Short Track</i>
323550	R22BS	Tag Axle Housing	

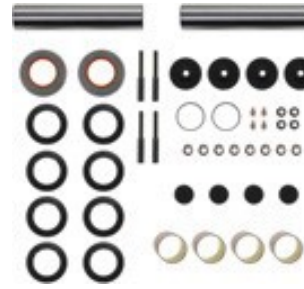
Note: Axle housings can also be sold as axle weldments (Housing & Brackets) for Dana to Identify the Axle weldment part number provide either the chassis number or the axle assembly part number from the Dana Australia tag ( Blue Tag) on the axle leg.

Examples: KSDKAEY Kenworth Suspension Module Part Number.  
E39C06BW03NB12M Mack Axle Part Number.



# King Pin Kits

## King Pin Kits / Bushes:



### Dual Draw Key Axles

Axle Model	Comments	Kit Part	Bushing Type	Bushing Part Number
E1002 > E1462i & W		328349	DX Garlock	806334
E1002 > E1462i & W		328347	Bronze	1460HD100
I140 & I145 & I150		140KK100	DX Garlock	160HD102
EFA12F & EFA13F		806355	DX Garlock	1008924
D2000F	5" Drop Assy	331434	DX Garlock	160HD105
D2000F	3.5" Drop Assy	331435	DX Garlock	160HD105

### Single Draw Key Axles

Axle Model	Comments	Kit Part Number	Bushing Type	Bushing Part Number
E1000 > E1320i & W		328342	Bronze	1320HD100
E1000 > E1320i & W		328344	DX Garlock	1320HD101
E1460i & W Series	Pre 2000	329405	Bronze	1460HD100
E1460i & W Series	Pre 2000	329404	DX Garlock	806334
E1460i & W Series	After 2000	328343	Bronze	1460HD100
E1460i & W Series	After 2000	328345	DX Garlock	806334

### Stop Bolts

Axle Model	Part Description	Part Number
I140/I145	Stop Bolt	HM213
I140/I145	Stop Screw Nut	160HN100-1
D2000	Stop Bolt	971454
D2000	Stop Screw Nut	220HN106
E1000 > E1320i & W Series	Part Description	Part Number
Turn Angle 36- 40 Degrees	Stop Bolt	816366
Turn Angle 41- 45 Degrees	Stop Bolt	816367
Turn Angle 46- 50 Degrees	Stop Bolt	816369
Turn Angle 51- 55 Degrees	Stop Bolt	816370
	Stop Screw Nut	090208
E1002 > E1462i & W Series	Part Description	Part Number
Turn Angle 22 -29 Degrees	Stop Bolt	818140
Turn Angle 36- 40 Degrees	Stop Bolt	816366
Turn Angle 41- 45 Degrees	Stop Bolt	816367
Turn Angle 46- 50 Degrees	Stop Bolt	816369
Turn Angle 51- 55 Degrees	Stop Bolt	816370
	Stop Screw Nut	090208



START



CONTENTS



PREVIOUS PAGE



NEXT PAGE



END

# Tie Rod Ends / Cross Link Assemblies:



## E Series Axles

Axle Model	Cross Tube Length	Axle Drop	Cross Link Assy	LH Tie Rod End	RH Tie Rod End
E1320i	60" (1524mm)	3.5"	815326	817018	817019
E1320W	61" (1549mm)	3.5"	971092	818472	818471
E1322i	60" (1524mm)	Straight	815326	817018	817019
E1322W	61" (1549mm)	Straight	971092	818472	818471
E1460i	59" (1498mm)	3.5"	817755	818472	818471
E1460W	61" (1549mm)	3.5"	971092	818472	818471
E1462i	59" (1498mm)	Straight	817755	818472	818471
E1462i	44.25" (1124mm)	1.25"	971747	971748	971749
E1462i	46.25" (1174mm)	1.25"	971776	971748	971749
E1462W	61" (1549mm)	Straight	971092	818472	818471

## D Series Axles

Axle Model	Cross Tube Length	Axle Drop	Cross Link Assy	LH Tie Rod End	RH Tie Rod End
D2000F	48.2" (1224mm)	5"	220TR114-1	220TR118	220TR119
D2000F	57.5 (1460mm)	3.5"	220TR129-2	220TR130	220TR131

Note: All the Tie Rod Ends above feature the patented one-way purge valve

# Tie Rod Ends / Cross Link Assemblies:

## I Series Axles

### Axles built before the 16th April 2007

Axle Base #	OEM	Cross Link Assy	LH Tie Rod End	RH Tie Rod End
140BN100-18	Iveco	140TR141-1	140TR142	140TR143
140BN100-19	Iveco	140TR141-1	140TR142	140TR143
140BN100-20	Iveco	140TR141-1	140TR142	140TR143
140BN100-21	Iveco	140TR141-1	140TR142	140TR143

### Axles built before the 3rd May 2007

Axle Base #	OEM	Cross Link Assy	LH Tie Rod End	RH Tie Rod End
140BN121-1	Kenworth	140TR141-1	140TR142	140TR143
140BN121-2	Kenworth	140TR141-1	140TR142	140TR143
140BN121-3	Kenworth	140TR141-1	140TR142	140TR143

### Axles built after the 16th April 2007

Axle Base #	OEM	Cross Link Assy	LH Tie Rod End	RH Tie Rod End
140BN100-34	Iveco	971747	971748	971749
140BN100-35	Iveco	971747	971748	971749
140BN100-36	Iveco	971747	971748	971749
140BN100-37	Iveco	971747	971748	971749

### Axles built after the 3rd May 2007

Axle Base #	OEM	Cross Link Assy	LH Tie Rod End	RH Tie Rod End
140BN121-7	Kenworth	971747	971748	971749
140BN121-8	Kenworth	971747	971748	971749
140BN121-9	Kenworth	971747	971748	971749

Note: All the Tie Rod Ends above feature the patented one-way purge valve



# Centre Bearing Kits



Centre Bearing Kit Number	Description	Series Where Used	Bearing I.D	Front Slinger	Rear Slinger
5003323XB	Self-Aligning Semi Slotted	1710,1810, SPL170 & SPL250	2.362	Not Req	Not Req
5003326XB	Self-Aligning Solid	1710,1810, SPL170 & SPL250	2.362	Not Req	Not Req
210088-1X	C/B Assembly Perforated	1280 / 1410	1.378	230118	230121
210090-1X	C/B Assembly Solid	1280 / 1410	1.378	230118	230118
210391-1X	C/B Assembly Perforated	1310 / 1550	1.574	230124	230124
210433-1X	C/B Assembly Perforated	1310 / 1550	1.574	230124	230209
211098-1X	C/B Assembly Perforated	1310 / 1550	1.574	Not Req	Not Req
210084-2X	C/B Assembly Perforated	1410 1650	1.771	230151	230151
210881-1XB	C/B Assembly Solid	1710	1.968	230166	230166
210121-1XB	C/B Assembly Perforated	1710	1.968	230166	230166

# UJ Kits

UJ Kit Part Number	Description	Series
5-103X	U/J KIT STEERING SHAFT	1000
212213X	U/J KIT STEERING SHAFT PLASTIC BUSH	1000
5-155X	U/J KIT 1550 (K3) O/S SNAP RNG	1550
5-279X	U/J KIT 1610 F/R	1610
5-674X	U/J KIT 1610 H/R	1610
5-280X	U/J KIT 1710 F/R	1710
5-675X	U/J KIT 1710 H/R	1710
5-281X	U/J KIT 1810 F/R	1810
5-676X	U/J KIT 1810 H/R	1810
26507-2045	U/J KIT-GREASABLE COMPACT 2045	Compact 2045
25434-2060	U/J KIT COMPACT 2060 SEALED	Compact 2060
25435-2060	U/J KIT-GREASABLE COMPACT 2060	Compact 2060
SPL170-4X	U/J KIT-SPL170	SPL170
SPL170-SF4X	U/J KIT-SPL170 SERVICE FREE	SPL170
SPL250-3X	U/J KIT-SPL250	SPL250
SPL250-SF3X	U/J KIT-SPL250 SERVICE FREE	SPL250



# Driveshaft Small Parts

## Small Parts:

### Slip Yoke Cup Plugs

Part Number	Outside Dia	Height	Material	Series
5-68-174	2.385	1.225	Nylon	1610
6-68-64	2.815	0.781	Nylon	1710
6-68-74	2.885	1.500	Nylon	1710
6-5-68-64	3.36	0.725	Nylon	1810
6-5-68-74	3.36	1.535	Nylon	1810



### Lube Fittings

Part Number	Style	Thread size	Length
500168-2	1	.125-27NPT	0.660
500174-1	1	.250-28	0.540
232830	3	125-27NPTF	0.843



Style 1

Style 2

Style 3

# Driveshaft BOMs

All driveshafts have a base number e.g.: 250DS550

There is also an assembly number e.g.: 250DS550-M1000

The M1000 Indicates there is 1000mm of Tube in the assembly

Note: SPL250/170 Drivelines with a SF prefix utilise a Service Free Universal Joint.

To build a Service Free Version use a SPL250-SF3X / SPL170-SF4X UJ in place of the standard UJ. All

10 series driveline use a greasable UJ - there is NO service free option available.



# Driveshaft BOMs

## SPL250 Main Driveline Shaft BOMs

SPL250 Main Driveline Base Number 250DS550

Description	Part Number	Qty
Universal Joint	SPL250-3X	2
Tube Yoke	250-28-17	1
Splined Slip Joint	250SJ1001H	1
Tube	120-30-6	As Req
Deadener	5007410-2	As Req

SPL250 Main Driveline Base Number 250DS252

Description	Part Number	Qty
Universal Joint	SPL250-3X	2
Tube Yoke	250-28-17	1
Splined Slip Joint	250SJ1001H	1
Flange Yoke	250-2-15	1
Tube	120-30-6	As Req
Deadener	5007410-2	As Req

SPL250 Main Driveline Base Number 250DS521

Description	Part Number	Qty
Universal Joint	SPL250-3X	2
Tube Yoke	250-28-17	1
Splined Slip Joint	250SJ1001H	1
Flange Yoke	250-2-39-1	1
Tube	120-30-6	As Req
Deadener	5007410-2	As Req

SPL250 Main Driveline Base Number 250DS223

Description	Part Number	Qty
Universal Joint	SPL250-3X	2
Tube Yoke	250-28-17	1
Splined Slip Joint	250SJ1001H	1
Flange Yoke	250-2-15	1
Flange Yoke	250-2-39-1	1
Tube	120-30-6	As Req
Deadener	5007410-2	As Req

SPL250 Main Driveline Base Number 250DS221

Description	Part Number	Qty
Universal Joint	SPL250-3X	2
Tube Yoke	250-28-17	1
Splined Slip Joint	250SJ1001H	1
Flange Yoke	250-2-39-1	2
Tube	120-30-6	As Req
Deadener	5007410-2	As Req



START



CONTENTS



PREVIOUS PAGE



NEXT PAGE



END



# Driveshaft BOMs

## SPL250 Centre Bearing Shaft BOMs

### SPL250 Centre Bearing Base Number 250CA88F (Semi-slotted)

Description	Part Number	Qty
Universal Joint	SPL250-3X	1
Tube Yoke	250-28-17	1
Midship Shaft	5010141	1
Centre Bearing	5003323XB	1
End Yoke	250-4-21-1	1
Nut	250-74-11	1
Washer	230123-6	1
Tube	120-30-6	As Req
Deadener	5007410-2	As Req

### SPL250 Centre Bearing Shaft Base Number 250CB88F (Solid)

Description	Part Number	Qty
Universal Joint	SPL250-3X	1
Tube Yoke	250-28-17	1
Midship Shaft	5010141	1
Centre Bearing	5003326XB	1
End Yoke	250-4-21-1	1
Nut	250-74-11	1
Washer	230123-6	1
Tube	120-30-6	As Req
Deadener	5007410-2	As Req

## SPL170 Main Driveline Shaft BOMs

### SPL170 Main Driveline Base Number 170DS550

Description	Part Number	Qty
Universal Joint	SPL170-4X	2
Tube Yoke	170-28-27	1
Splined Slip Joint	170SA151X	1
Tube	110-30-5	As Req
Deadener	5007410-2	As Req

### SPL170 Main Driveline Base Number 170DS222

Description	Part Number	Qty
Universal Joint	SPL170-4X	2
Tube Yoke	170-28-27	1
Splined Slip Joint	170SA151X	1
Flange Yoke	170-2-19	2
Tube	110-30-5	As Req

# Driveshaft BOMs

## SPL170 Centre Bearing Shaft BOMs

SPL170 Centre Bearing Base Number 170CA88E (Semi-slotted)

Description	Part Number	Qty
Universal Joint	SPL170-4X	1
Tube Yoke	170-28-27	1
Midship Shaft	5010141	1
Centre Bearing	5003323XB	1
End Yoke	170-4-1271-1	1
Midship Washer	230123-6	1
Midship Nut	250-74-11	1
Tube	110-30-5	As Req
Deadener	5007410-2	As Req



## SPL170 Inter Axle BOMs

SPL170 Inter Axle Part Number 170SC222A

Description	Part Number	Qty
Universal Joint	SPL170-4X	2
Splined Slip Joint	170SA131X	1
Flange Yoke	170-2-19	2

SPL170 Inter Axle Part Number 170SC550A

Description	Part Number	Qty
Universal Joint	SPL170-4X	2
Splined Slip Joint	170SA131X	1

SPL170 Inter Axle Part Number 170SC550B

Description	Part Number	Qty
Universal Joint	SPL170-4X	2
Splined Slip Joint	170SA132X	1

**Collapsed Length 443mm**

**Collapsed Length 465mm**

# Driveshaft BOMs

## 1810 Series Main Driveline Shaft BOMs

### Main Driveline Base Number 917092 (FR)

Description	Part Number	Qty
Universal Joint	5-281X	2
Tube Yoke	6-5-28-117	1
Tube Shaft	6-5-40-191	1
Slip Yoke	6-5-3-1371KX	1
Tube	36-30-102	As Req

### Main Driveline Base Number 817093 (HR)

Description	Part Number	Qty
Universal Joint	5-676X	2
Tube Yoke	6-5-28-117	1
Tube Shaft	6-5-40-191	1
Slip Yoke	6-5-3-1371KX	1
Tube	36-30-22	As Req
Deadener	5007410-2	As Req
Tie Wire	231351-2	2

### Main Driveline Base Number 912832 (FR)

Description	Part Number	Qty
Universal Joint	5-324X	2
Tube Yoke	6-5-28-127	1
Tube Shaft	8-40-101	1
Slip Yoke	6-5-3-1371KX	1
Tube	36-30-22	As Req
Deadener	231185-1	As Req

### Wing Bearing Type UJs



# Driveshaft BOMs

## 1810 Series Centre Bearing Shaft BOM

C/B Shaft Solid Rubber 1810CB88D (HR)

Description	Part Number	Qty
Universal Joint	5-676X	1
Tube Yoke	6-5-28-117	1
Midship Shaft	6-5-53-91	1
Centre Bearing	5003326XB	1
End Yoke	6-5-4-1891-1	1
Nut	20-74-91	1
Washer	230123-6	1
Tube	36-30-102	As Req
Deadener	5007410-2	As Req
Tie Wire	231351-2	1

C/B Shaft Slotted Rubber 1810CA88D (HR)

Description	Part Number	Qty
Universal Joint	5-676X	1
Tube Yoke	6-5-28-117	1
Midship Shaft	6-5-53-91	1
Centre Bearing	5003323XB	1
End Yoke	6-5-4-1891-1	1
Nut	20-74-91	1
Washer	230123-6	1
Tube	36-30-102	As Req
Deadener	5007410-2	As Req
Tie Wire	231351-2	1



C/B Shaft Slotted Rubber 1810CA99D (FR)

Description	Part Number	Qty
Universal Joint	5-281X	1
Tube Yoke	6-5-28-117	1
Midship Shaft	6-5-53-91	1
Centre Bearing	5003323XB	1
End Yoke	6-5-4-1891	1
Nut	20-74-91	1
Washer	230123-6	1
Tube	36-30-102	As Req
Deadener	5007410-2	As Req

C/B Shaft Slotted Rubber 1810CA99D (FR)

Description	Part Number	Qty
Universal Joint	5-281X	1
Tube Yoke	6-5-28-117	1
Midship Shaft	6-5-53-91	1
Centre Bearing	5003326XB	1
End Yoke	6-5-4-1891	1
Nut	20-74-91	1
Washer	230123-6	1
Tube	36-30-102	As Req
Deadener	5007410-2	As Req

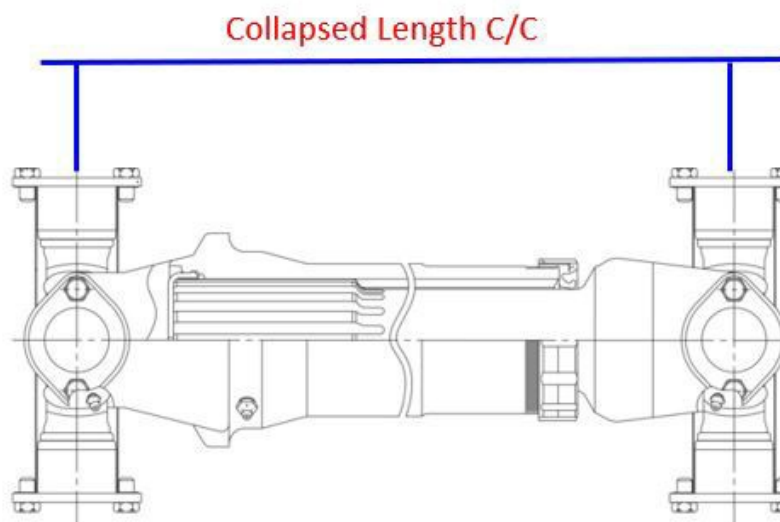


# Driveshaft BOMs

## 1810 Series Inter Axle Shaft BOMs

### 1810 Inter Axles

Assembly Number	Collapsed Length	Slip Yoke	Yoke Shaft	UJ Kits (2 Each)	Type
908024-1	411mm	6-5-3-1371KX	6-5-82-461-8	5-281X	FR
908024-2	427mm	6-5-3-1371KX	6-5-82-461-9	5-281X	FR
908024-3	443mm	6-5-3-1371KX	6-5-82-461-10	5-281X	FR
908024-4	459mm	6-5-3-1371KX	6-5-82-461-11	5-281X	FR
908024-5	475mm	6-5-3-1371KX	6-5-82-461-12	5-281X	FR
808024-5	475mm	6-5-3-1371KX	6-5-82-461-12	5-676X	HR



# Driveshaft BOMs

## 1710 Series Main Driveline Shaft BOMs

**Main Driveline Base Number 820554 (HR)**

Description	Part Number	Qty
Universal Joint	5-675X	2
Tube Yoke	6-28-407	1
Tube Shaft	6-40-621	1
Slip Yoke	6-3-2651KX	1
Tube	36-30-102	As Req
Tie Wire	231351-1	2

**Main Driveline Base Number 813045 (HR)**

Description	Part Number	Qty
Universal Joint	5-675X	2
Tube Yoke	6-28-467	1
Tube Shaft	6-40-521	1
Slip Yoke	6-3-3441KX	1
Tube	32-30-72	As Req
Tie Wire	231351-1	2

**Main Driveline Base Number 815047 (HR)**

Description	Part Number	Qty
Universal Joint	5-675X	2
Tube Yoke	6-28-347	1
Tube Shaft	6-40-521	1
Slip Yoke	6-3-2651KX	1
Tube	32-30-72	As Req
Deadener	5007410-2	As Req
Tie Wire	231351-1	2

**Main Driveline Base Number 806354 (HR)**

Description	Part Number	Qty
Universal Joint	5-675X	2
Tube Yoke	6-28-347	1
Tube Shaft	6-40-521	1
Slip Yoke	6-3-2651KX	1
Tube	32-30-72	As Req
Tie Wire	231351-1	2

**Main Driveline Base Number 805358 (HR)**

Description	Part Number	Qty
Universal Joint	5-675X	2
Tube Yoke	6-28-347	1
Tube Shaft	6-40-521	1
Slip Yoke	6-3-2651KX	1
Tube	32-30-52	As Req
Tie Wire	231351-1	2

**Main Driveline Base Number 906354 (FR)**

Description	Part Number	Qty
Universal Joint	5-280X	2
Tube Yoke	6-28-347	1
Tube Shaft	6-40-521	1
Slip Yoke	6-3-2651KX	1
Tube	32-30-72	As Req

# Driveshaft BOMs

## 1710 Series Centre Bearing Shaft BOMs

C/B Shaft Slotted Rubber 812076 (HR)

Description	Part Number	Qty
Universal Joint	6-675X	1
Tube Yoke	6-28-347	1
Midship Shaft	6-53-411	1
Centre Bearing	210121-1X	1
End Yoke	6-4-7141-1	1
Nut	231502	1
Tube	32-30-72	As Req
Tie Wire	231351-1	1

C/B Shaft Slotted Rubber 1710CA88D (HR)

Description	Part Number	Qty
Universal Joint	6-675X	1
Tube Yoke	6-28-407	1
Midship Shaft	6-5-53-91	1
Centre Bearing	503323XB	1
End Yoke	6-4-4601-1	1
Nut	20-74-91	1
Washer	230123-6	1
Tube	36-30-102	As Req
Tie Wire	231351-1	1
Deadener	5007410-2	As Req

C/B Shaft Solid Rubber 1710CB88D (HR)

Description	Part Number	Qty
Universal Joint	6-675X	1
Tube Yoke	6-28-347	1
Midship Shaft	6-53-311	1
Centre Bearing	503326XB	1
End Yoke	6-4-4601-1	1
Nut	20-74-91	1
Washer	230123-6	1
Tube	33-30-72	As Req
Tie Wire	231351-1	1
Deadener	5007410-2	As Req



# Driveshaft BOMs

## 1710 Series Inter Axle Shaft BOMs

### Inter Axles with NO Tube

Assembly Number	Collapsed Length	Slip Yoke	Yoke Shaft	UJ Kits (2 Each)	Type
905545-1	463mm	6-3-3441KX	6-82-1341-7	5-280X	FR
905545-3	498mm	6-3-3441KX	6-82-1341-11	5-280X	FR
905545-11	489mm	6-3-3441KX	6-82-1341-10	5-280X	FR
905545-12	482mm	6-3-3441KX	6-82-1341-9	5-280X	FR
905545-14	437mm	6-3-3441KX	6-82-1341-4	5-280X	FR
905545-16	456mm	6-3-3441KX	6-82-1341-6	5-280X	FR
905545-17	422mm	6-3-3441KX	6-82-1061-15	5-280X	FR
905545-18	472mm	6-3-3441KX	6-82-1341-8	5-280X	FR
905357-1	402mm	6-3-26511KX	6-82-1341-2	5-280X	FR
905357-4	418mm	6-3-26511KX	6-82-1341-4	5-280X	FR
906464-1	402mm	6-3-3461KX	6-82-1281-3	5-280X	FR
906464-3	414mm	6-3-3461KX	6-82-1351-4	5-280X	FR

### Inter Axles with Tube

Assembly Number	Tube Yoke	Tube Shaft	Slip Yoke	Tube as Req	UJ Kits (2 Each)	Type
913045	6-28-467	6-40-521	6-3-3441KX	32-30-72	5-280X	FR
911435	6-28-467	6-40-521	6-3-3441KX	32-30-52	5-280X	FR
905359	6-28-347	6-40-541	6-3-2671KX	32-30-52	5-280X	FR
305358	6-28-347	6-40-521	6-3-2651KX	32-30-52	5-280X	FR



# Driveshaft BOMs

## Compact 2060 Series Shaft BOMs:

### Base number 600406524 C/B Shaft

Description	Part Number	Qty
Midship Assy	7113700900528	1
Tight Joint Assy	25446-2060	1
Deadener	5007410-2	As Req
Tube	25430-1000	As Req

### Base number 40082-2060 Main Shaft

Description	Part Number	Qty
Slip Joint Assy	25445-2060	1
Tight Joint Assy	25446-2060	1
Deadener	5007410-2	As Req
Tube	25340-1000	As Req

### Base number 40083-2060 C/B Shaft

Description	Part Number	Qty
Midship Assy	51860-2030	1
Tight Joint Assy	25446-2060	1
Deadener	5007410-2	As Req
Tube	25430-1000	As Req

### Base number 600206516 Main Shaft

Description	Part Number	Qty
Slip Joint Assy	25445-2060	1
Tight Joint Assy	25446-2060	1
Deadener	5007410-2	As Req
Tube	25340-1000	As Req



# Driveshaft BOMs

## Compact 2065 Series Shaft BOMs:

### Base number 650406522 C/B Shaft

Description	Part Number	Qty
Midship Assy	7113700900523	1
Tight Joint Assy	27227-2065	1
Deadener	5007410-2	As Req
Tube	27205-2000	As Req

### Base number 650200502 Main Shaft \*

Description	Part Number	Qty
Slip Joint Assy	7687650701200310	1
Tight Joint Assy	7687650401050	1
Deadener	5007410-2	As Req
Tube	27205-2000	As Req

### Base number 650400350 C/B Shaft \*

Description	Part Number	Qty
Midship Assy	7003700900523	1
Tight Joint Assy	7687650401050	1
Deadener	5007410-2	As Req
Tube	27205-2000	As Req

\* Greasable UJs

### Base number 40162-2065 Main Shaft

Description	Part Number	Qty
Slip Joint Assy	27217-2065	1
Tight Joint Assy	27227-2065	1
Deadener	5007410-2	As Req
Tube	27205-2000	As Req

### Base number 40162-2065 C/B Shaft

Description	Part Number	Qty
Midship Assy	51870-2065	1
Tight Joint Assy	27227-2065	1
Deadener	5007410-2	As Req
Tube	27205-2000	As Req



# Driveshaft BOMs

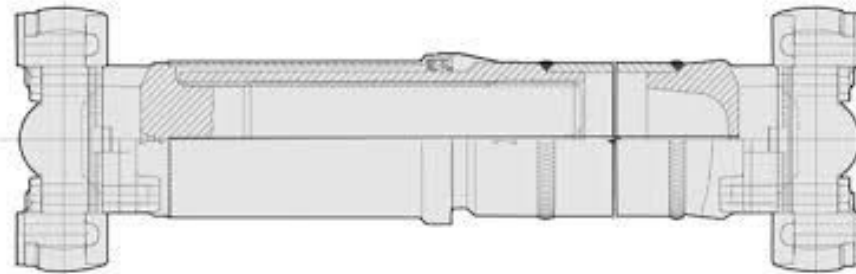
## Compact Series Parts:

### 2060 Series

Spicer Part No	Description	Interchange Part No
7687600600000	U-Joint 2060 - Greasable	25435-2060
7687600600160	U-Joint 2060 - Service Free	25434-2060
2687602300510	flange Yoke - 2060	
6613700100360	Centre Bearing Assy	
2113705200506	Midship Flange	
1000008002269	Bolt Suit Midship Flange	
1000008206405	Washer suit Midship Flange	
25445-2060	Slip Joint Assy	
25446-2060	Tight Joint Assy	
25489-2060	Slip Joint Yoke Shaft & Sleeve	
7113700900528	Midship Assy	

### 2065 Series

Spicer Part No	Description	Interchange Part No
7587480600230	U-Joint 2065 - Greasable	
7687650600160	U-Joint 2065 - Service Free	27220-2065
2687652000510	Flange Yoke - 2065	
6613700100360	Centre Bearing Assy	
2113705200506	Midship Flange	
1000008002269	Bolt Suit Midship Flange	
1000008206405	Washer suit Midship Flange	
7113700900523	Midship Assy	
27217-2065	Slip Joint Assy	
51379-2065	Midship Flange Shaft	
27227-2065	Tight Joint Assy	



# ***ADB22X Disc Brake Parts***

## **ADB22X Steer Axle Parts**



Part Description	(FF) E-Series Steer Axle		(FL) D2000 Steer Axle	
	RH	LH	RH	LH
Calliper Assembly Steer	5015409	5015410	5015409	5015410
Pad Kit (One Axle)	K070796	K070796	K070796	K070796
Splint Kit (25 in kit)	803151	803151	803151	803151
Shear Adaptor (Box of 10)	802455	802455	802455	802455
Adjuster Cover	802456	802456	802456	802456
Wheel End Kit	K092079	K092079	K092079	K092079
Guide Pin, Seal & Boot Kit	803114	803114	803114	803114
Guide Pin Grease 5g	II14525	II14525	II14525	II14525
Guide Pin Grease 100g	K021964	K021964	K021964	K021964
Spring Brake Actuator (Steer)	K028022	K028022	K028022	K028022
Steer Axle Pad Shield Kit	802948	802948	802948	802948
Splined Disc Rotor	802083	802083	802083	802083

**Bendix Spicer  
Foundation Brake LLC**  
*A Bendix CVS and Dana Joint Venture*

# ADB22X Disc Brake Parts



## ADB22X Steer Axle Parts

Part Description	(FF) E-Series Steer Axle		(FL) D2000 Steer Axle	
	RH	LH	RH	LH
LMS Wheel Bearing Kit (Steer)	10081727	10081727	10081728	10081728
Hub & Rotor Cast Iron	10083005	10083005	10083011	10083011
Hub & Rotor Aluminium	10082993	10082993		
Wheel Seal <i>Not sold Separately</i>	10085885	10085885	10045883	10045883
Wheel Seal & Spacer Kit	10081518	10081518	10081519	10081519
Inner Cup & Cone Set			10041925	10041925
Outer Cup & Cone Set			10041926	10041926
Inner Cone	103596	103596		
Inner Cup	103597	103597		
Outer Cone	103594	103594		
Outer Cup	103595	103595		
Spacer <i>Use Seal &amp; Spacer Kit</i>	129372	129372	10003807	10003807
Wheel Stud	10023593	10023593	10001399	10001399
ABS Ring Service Kit	10009780	10009780	107912	107912
Hubcap LMS Blue Cap	976630	976630	976630	976630
Splined Disc Rotor Attaching Kit	K037767	K037767	K037767	K037767

**Bendix Spicer  
Foundation Brake LLC**  
A Bendix CVS and Dana Joint Venture

# ADB22X Disc Brake Parts



## ADB22X Drive Axle Parts

Part Description	Drive Axle (Neway)		Drive Axle (Airglide)	
	RH	LH	RH	LH
Calliper Assembly Rear Drive	K047614	K047615	K047612	K047613
Pad Kit (One Axle)	K070796	K070796	K070796	K070796
Splint Kit (25 in kit)	803151	803151	803151	803151
Shear Adaptor (Box of 10)	802455	802455	802455	802455
Adjuster Cover	802456	802456	802456	802456
Wheel End Kit	K092079	K092079	K092079	K092079
Guide Pin, Seal & Boot Kit	803114	803114	803114	803114
Guide Pin Grease 5g	II14525	II14525	II14525	II14525
Guide Pin Grease 100g	K021964	K021964	K021964	K021964
Spring Brake Actuator (Drive)	K025670	K025670	K025670	K025670
Drive Axle Pad & Rotor Shield Kit	803130	803130	803130	803130
Splined Disc Rotor	802083	802083	802083	802083

# ADB22X Disc Brake Parts

## ADB22X Drive Axle Parts



Part Description	Drive Axle (Neway)		Drive Axle (Airglide)	
	RH	LH	RH	LH
LMS Wheel Bearing Kit (Drive)	10005435	10005435	10005435	10005435
Hub & Rotor Assembly	10084418	10084418	10084418	10084418
Wheel Seal <i>Not sold Separately</i>	10045887	10045887	10045887	10045887
Wheel Seal & Spacer Kit	10081520	10081520	10081520	10081520
Inner Cone	103598	103598	103598	103598
Inner Cup	103599	103599	103599	103599
Outer Cone	103600	103600	103600	103600
Outer Cup	103601	103601	103601	103601
Spacer <i>Use Seal &amp; Spacer Kit</i>	103593	103593	103593	103593
Wheel Stud	10005669	10005669	10005669	10005669
ABS Ring Service Kit	10019967	10019967	10019967	10019967
Hubcap LMS Blue Cap	976630	976630	976630	976630
Splined Disc Rotor Attaching Kit	K037767	K037767	K037767	K037767

**Bendix Spicer**  
**Foundation Brake LLC**  
*A Bendix CVS and Dana Joint Venture*

# ESD225 Disc Brake Parts

Part Description	Part Number
Caliper Assembly	92802
Pad Replacement Kit	92008
Pad Retaining Spring	976092
Seal Kit-Piston Adjuster Screw	94662
Sliding Pin Repair Kit	93299
Seal Kit Sliding less Pins	94660
Front Air Chamber Type 20 Front	975334
Front Air Chamber Type 24/30 Rear	975336
Hub & Rotor Steer	25741XM3T
Rotor Steer	59173B
Hub Steer	976033
Hub & Rotor Drive	26741XM7T
Rotor Drive	59173B
Hub Drive	976041
Bolt Rotor to Hub	85711
Part Description	Part Number
Parts Book ESD225	90134

Part Description	Part Number
20mm x 50 Cap Screw	976028
20mm Flat Washer	210288

## Torque Plate to Housing Hardware

Part Description	Part Number
.56 Flat Washer	128415
.56-18 Lock Nut	60599
.56-18 X 2.25 Cap Screw	975509

## Air Chamber Hardware

Part Description	Part Number
.62-11 Lock Nut	975918
.62 Flat Washer	975919

Part Description	Part Number
Torque Plate Drive	976014
Torque Plate Drive	976015
Torque Plate Drive	976020
Torque Plate Drive	976021
Torque Plate Drive 75 Deg Off Set	976048
Torque Plate Drive 285 Deg Off Set	976049
Torque Plate Drive 90 Deg Off Set	976052
Torque Plate Drive 270 Deg Off Set	976053
Torque Plate Drive 85 Deg Off Set	976064
Torque Plate Drive 275 Deg Off Set	976065
Torque Plate Steer Fwd Mount	976132
Torque Plate Steer Fwd Mount	973133
Torque Plate Steer RR Mount	976148
Torque Plate Steer RR Mount	976149

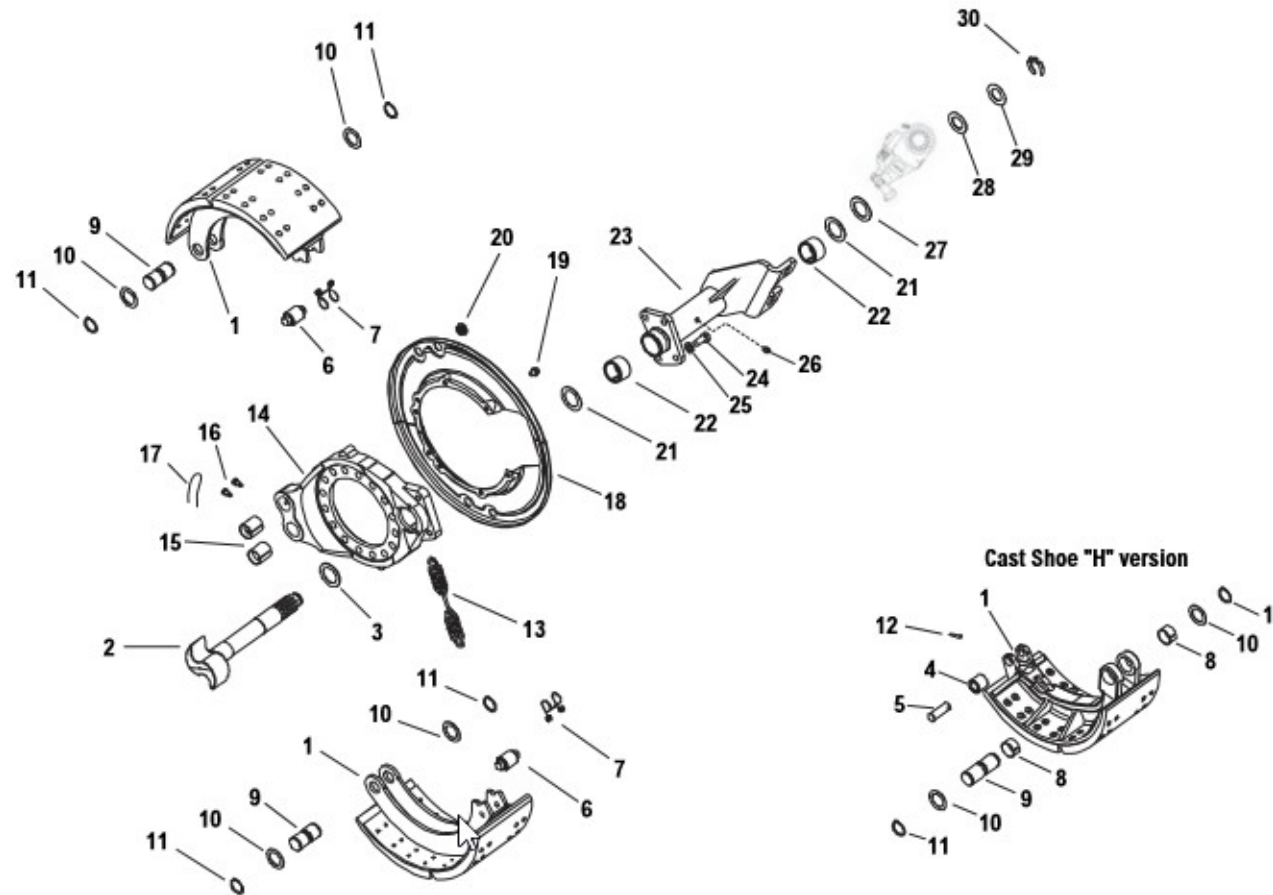




# Brake Assembly Drawing – 16.5” – Heavy Duty (Drawing 1)

Brake Assembly 16.5” – Heavy and Severe Duty Extended Service Brakes

For Models: ES-165-7M (Heavy Duty) & ES-165-7H (Severe Duty)

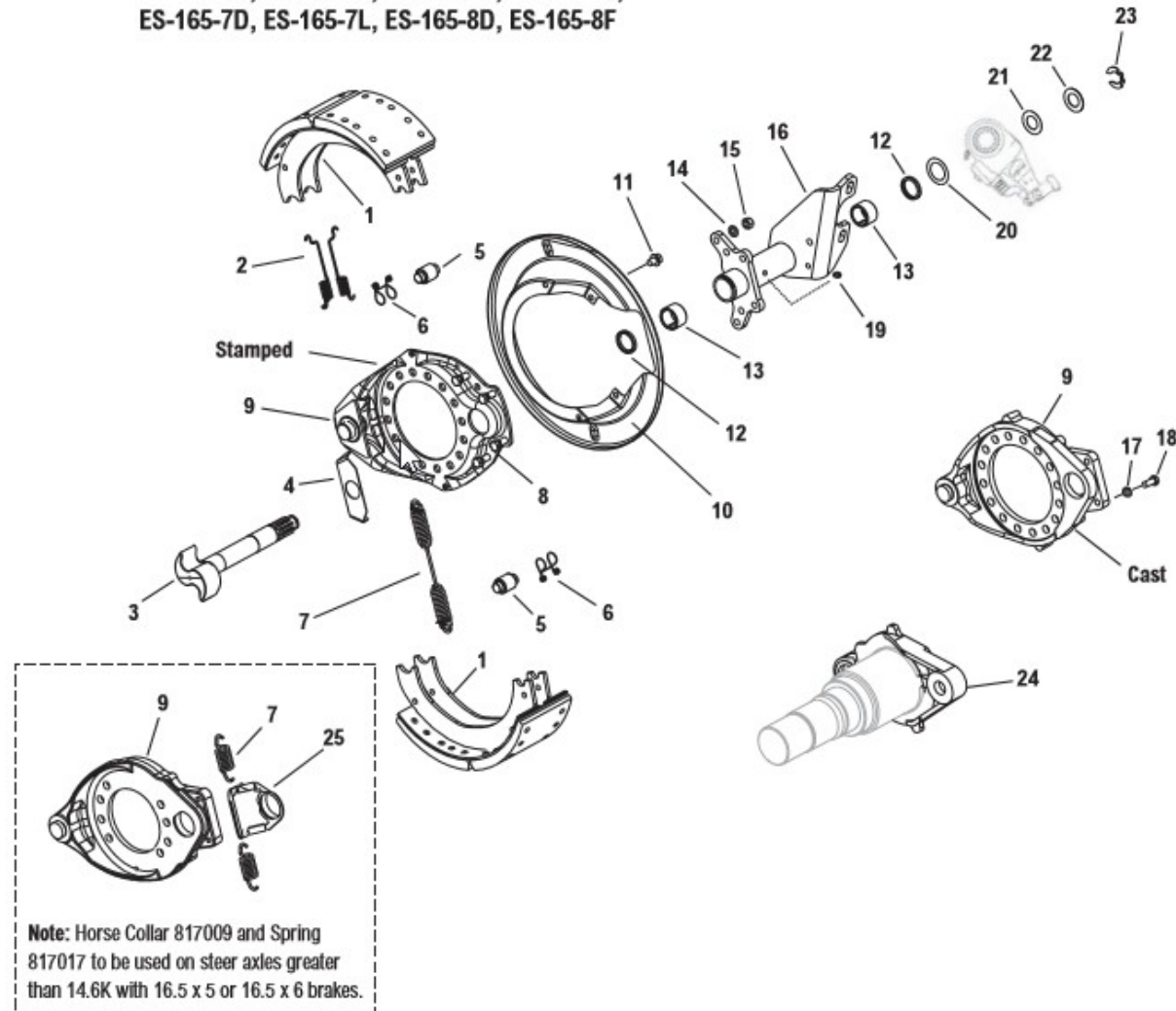


Fabricated Shoe "M" version shown

# Brake Assembly Drawing – 16.5” – Extended Service Brakes (Drawing 2)

## Brake Assembly 16.5” – Extended Service Brakes

For Models: ES-165-5D, ES-165-5L, ES-165-6D, ES-165-6L,  
ES-165-7D, ES-165-7L, ES-165-8D, ES-165-8F



# Bendix Drum Brakes Service Parts

## Steer Axle Bendix / Spicer Brake Parts:

Steer Axle Brakes	E-Series	D2000-F
<b>Brake Model</b>	<b>ES-165-5D</b>	<b>ES165-6D</b>
Brake Size	16.5" x 5"	16.5" x 6"
Lining	EES600	EES600
C/L Brake to C/L Air Chamber	9.31"	11.50"
Camshaft Bracket Angle	323 <sup>0</sup>	326 <sup>0</sup>
<b>Brake Assemblies</b>		
Brake Assembly Right Hand	327034	K147545
Brake Assembly Left Hand	327035	K147544
<b>Slack Adjusters</b>		
Manual	73617	73617
Automatic 5.5" Arm 1.5" x 10 Spline	AG4311	AG4311



Service Kits (ES Brakes)	16.5" x 5"	16.5" x 6"
Shoe & Lining Kit	819756	819766
Brake Spring Kit (incl items 2 & 7)	316896	316895
Camshaft Busing Kit (incl items 12-13, 23)	127808	127808
Minor Overhaul Kit (incl items 2, 5-7)	314147	314146

# Bendix Drum Brakes Service Parts

## Steer Axle Bendix / Spicer Brake Parts:

Steer Axle Brakes	Drawing 1	E-Series	D2000-F
Loose Service Items	Item Ref	16.5" x 5"	16.5" x 6"
Shoe without Lining	1	819705N	819706N
Shoe Retainer Spring	2	819725 (Orange)	819725 (Orange)
Cam Head Washer	4	806380	806380
Cam Roller	5	806234	806234
Roller Retainer	6	808058	808058
Shoe Return Spring (Grey)	7	818278	818278
Shoe Return Spring (Red used with Horse Collar)	7	N/A	817017
Spider - Cast - Single Anchor Pin Left Hand	9	811622	818774
Spider - Cast - Single Anchor Pin Right Hand	9	811623	818775
Dust shield	10	973955	K046785/6
Dust shield Screw	11	804703	804703
Grease Seal	12	Included in Cam Shaft Bushing Kit	
Camshaft Bushing	13	1000035	1000035
Camshaft Brackets	16	Identified By Chassis Contact Dana	
Bracket Mounting Lock washer	14	90414	90414
Bracket Mounting Cap screw	18	38540	38540
Bracket Assembly Grease Fitting	19	819790	819790
Slack Adjuster Inner Washer	20	43943	43943
Camshaft Retainer Snap Ring	23	K096296K	K096296K
Horse Collar	25	N/A	817009N

# Bendix Drum Brakes Service Parts

## Drive Axle Bendix / Spicer Brake Parts:



Drive Axle Brakes	Standard	Heavy Duty
Brake Model	ES-165-7D	ES-165-7M
Brake Size	16.5" x 7"	16.5" x 7"
Lining	EES600	EES600
Brake Assemblies		
Brake Assembly Left Hand	327034	K147544
Brake Assembly Right Hand	327035	K147545
Slack Adjusters		
Manual	73617	73617
Automatic 5/5" Arm 1.5" x 10 Spline	AG4311	AG4311
Spider - Cast - Single Anchor Pin Right Hand	811623	818775

Service Kits		
Shoe & Lining (One Piece)	819776	811339N
Brake Spring Kit (incls items 2 & 7)	316896	812118
Camshaft Bushing Kit (incls items 12-13, 23)	127808	1008047N
Major Overhaul Kit (incls items 2.5-7 & 2 Shoe & Linings)	K098127	812119N
Minor Overhaul Kit (incls items 2, 5-7)	314147N	812118

# Bendix Drum Brakes Service Parts

## Drive Axle Bendix / Spicer Brake Parts:



Drive Axle Brakes	ES-165-7D		ES-165-7M	
	Drawing 2 Item Ref	Standard	Drawing 1 Item Ref	Heavy Duty
Shoe without Lining			1	819722N
Shoe Retainer Spring	2	819278 (Orange)		
Cam Head Washer	4	806380	3	806380
Cam Roller	5	806234	Included in minor overhaul kit	
Roller Retainer	6	808058	6	808058
Shoe Return Spring	7	818278	13	810292N (yellow)
Spider - Cast	9	79935	14	810175
Dust shield	10	325148	18	K041613
Dust Shield Screw	11	804703	19	804703
Grease Seal	12	Included in Cam Shaft Bushing Kit		
Camshaft Bushing	13	1000035	22	1003000
Camshaft Brackets	16	Identified By Chassis - Contact Dana		
Bracket Mounting Lock	14	90414	25	90414
Bracket Mounting Cap	18	38540	24	38540
Bracket Assembly	19	819790	26	819790
Slack Adjuster Inner	20	43943	27	43943
Camshaft Retainer	23	K096296K	30	K096296K



# Bendix Drum Brakes Service Parts

## Drive Axle Bendix / Spicer Brake Parts:

Drive Axle Brakes	ES-165-7D	Drawing 1	ES-165-7M
Service Items	Standard	Item Ref	Heavy Duty
Inspection Hole Plug		20	89899
Camshaft Bushing	Included in Camshaft Bushing Kit	22	Included in Camshaft Bushing Kit
Camshaft Bracket - Drive CCW (LH)	326580	23	K131594N
Camshaft Bracket - Drive CW (RH)	326581	23	K131595N
Camshaft Bracket - Rear CCW (LH)	326580	23	K131594N
Camshaft Bracket - Rear CW (RH)	326581	23	K131595N

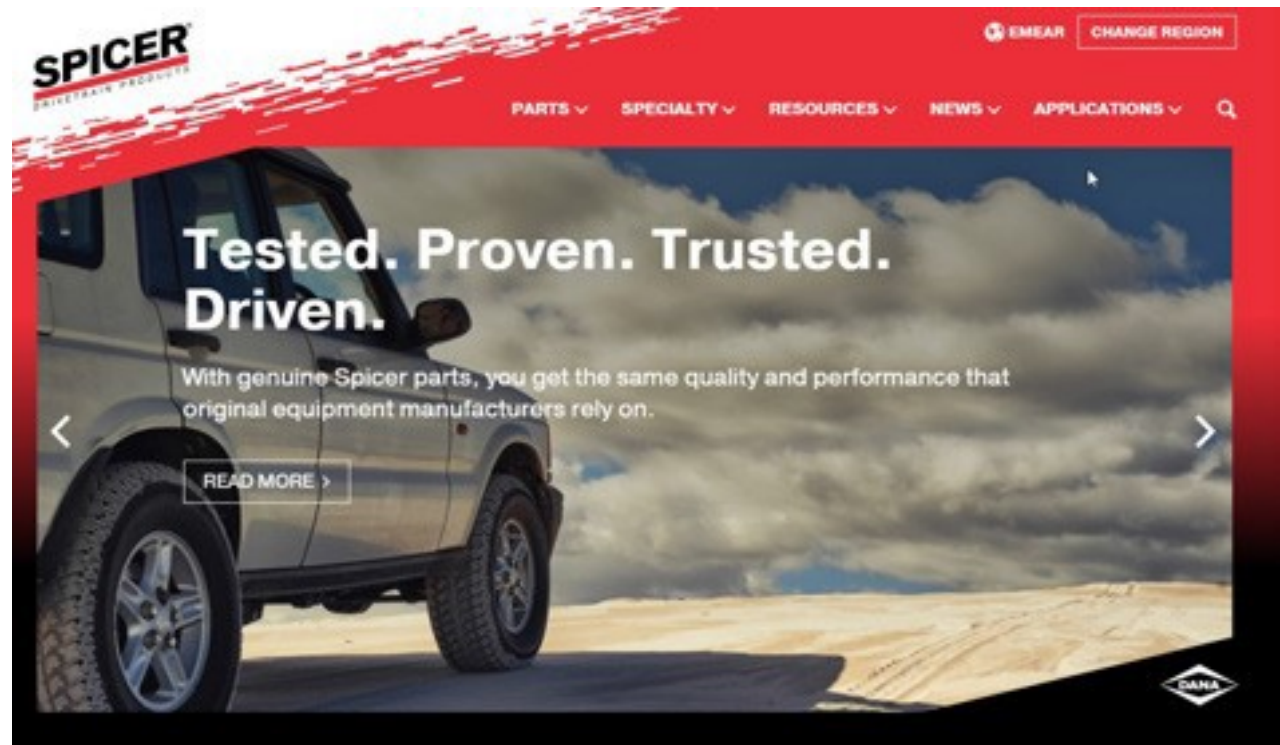


# Dana Online Information

## Dana Online Literature

At [www.spicerparts.com](http://www.spicerparts.com) all sorts of literature can be sourced such as:-

- Illustrated parts lists
- Service / Parts Bulletins
- Service Manuals
- Sales Brochures
- Plus much more



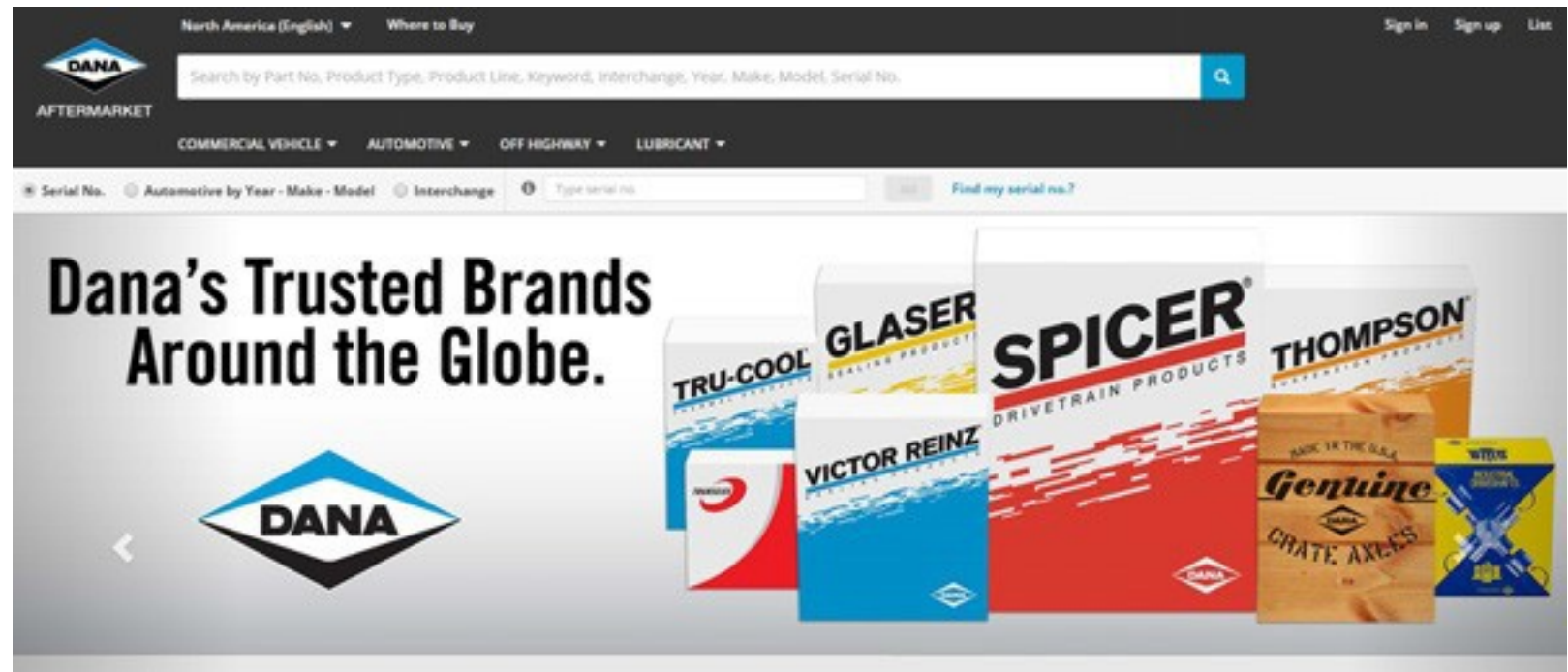


# Dana Online Information

## Dana Aftermarket Website

At [www.danaaftermarket.com](http://www.danaaftermarket.com) you will find a lot of product information, things such as:-

- Bills of Materials
- Product weights
- Dimensions
- Product availability EX U.S.A
- Product Photos



# Notes



Dana Australia  
8HudsonCourt, KeysboroughVIC3173  
Phone: 130000DANA  
[www.dana.com.au](http://www.dana.com.au)

Copyright Dana Australia 2020  
All rights reserved. Dana Australia.  
Published in Australia,