

# NIGHTHAWK® Nighthawk® AC1900 Smart WiFi Router—Dual Band Gigabit



## Leading the New Era of WiFi

Nighthawk® AC1900 Smart WiFi Router is powered by high-power amplifiers and antennas to extend your WiFi coverage. Blazing-fast combined WiFi speeds up to

600+1300Mbps\* and 1GHz Dual Core Processor for extended range. Smart Connect intelligently selects the fastest 2.4 or 5GHz WiFi band for each device in your home for

optimal speeds. Stop buffering and start enjoying ultra-smooth streaming, online gaming, and more.

# NIGHTHAWK® Nighthawk® AC1900 Smart WiFi Router—Dual Band Gigabit

## GAMING | FOR THE WIN

Avoid character freezing & enjoy lagfree gaming with the ultimate powerful dual core 1GHz processor, & Dynamic QoS for optimized game play on consoles like the Xbox®. When microseconds count, let Nighthawk accelerate your game. For the win.



## STREAMING | ULTIMATE HD

Stop buffering and start enjoying uninterrupted streaming media. With features like Dynamic QoS and Beamforming+ server you'll begin to stream like you mean it. Access your stored media quickly with USB 3.0.



## MOBILE | FASTER & FARTHER

Improve your mobile WiFi speeds by up to 100% with Nighthawk! High-power amplifiers & antennas help extend WiFi coverage throughout large homes & even backyards. For the first time Beamforming+ focuses WiFi signals to both 2.4 & 5GHz devices. With signals locked onto your device, experience what it really means to be mobile!



# NIGHTHAWK® Nighthawk® AC1900 Smart WiFi Router—Dual Band Gigabit

## Speed

Get super fast WiFi & enjoy a blazing-fast, lag-free WiFi experience for gaming, video streaming or surfing.



EXTREMELY FAST WIFI—Up to 600+1300Mbps†



SMART CONNECT—Automatically selects the best dual band WiFi connection for optimal wireless speed



GIGABIT WIFI—Next-generation WiFi now at Gigabit speeds



GIGABIT WIRED—Ideal for HD gaming & video



DUAL CORE PROCESSOR—Dual core 1GHz processor boosts wireless, wired & WAN-to-LAN performance

## WiFi Range

Faster and expanded coverage throughout your home and for all your devices.



ULTIMATE RANGE—WiFi coverage throughout very large homes



HIGH POWERED ANTENNAS—High-powered amplifiers with 3 external antennas

## Sharing

With NETGEAR, sharing across your network is fun and easy, anything from accessing stored photos & music to wireless printing. And make sure you keep it safe by using ReadyCLOUD USB access application for backing up Windows-based PCs.



DLNA®—Find & play your media on DLNA TVs & game consoles



READYSHARE® USB ACCESS—Wirelessly access & share USB hard drive & printer via two (2) USB ports



ONE SUPERSPEED USB 3.0 PORT—Up to 10x faster than USB 2.0



READYCLOUD® USB ACCESS—Enjoy personal & secure cloud access to USB storage anytime, anywhere



READYSHARE PRINTER—Wirelessly access & share a USB printer



READYSHARE® VAULT—Free software for automatic PC backup to a USB hard drive connected to the router

# NIGHTHAWK® Nighthawk® AC1900 Smart WiFi Router—Dual Band Gigabit

## Reliable Connections

There's nothing more frustrating than lost connections! With NETGEAR's advanced features & best-in-class technology, you'll reduce interference & enjoy more reliable WiFi connectivity.



**BEAMFORMING+**—Boosts speed, reliability, & range of WiFi connections for 2.4 & 5GHz bands



**SIMULTANEOUS DUAL BAND WiFi**—Reduces interference for better connections to more WiFi devices



**DYNAMIC QoS**—Dynamic QoS automatically recognizes & prioritizes streaming & gaming applications



**AIRTIME FAIRNESS**—Prevent network lag when slower devices connect

## Ease Of Use

Start enjoying your new device faster than ever. NETGEAR wants to make sure installation and management is simple & easy, so you can connect quickly & make sure you stay that way!



**SMART CONNECT**—Intelligently selects the fastest WiFi band for every device connection. One WiFi name for the entire home



**NIGHTHAWK APP**—Easily set up your router and get more out of your WiFi. Includes remote access to manage your network away from home



**VOICE CONTROLLED BY AMAZON ALEXA**—Control your NETGEAR WiFi network with simple voice commands

## Security

Maintain high security across your network to ensure your privacy & family is safe while online. Whether it's preventing phishing & spyware or just limiting access for kids & guests, NETGEAR has you covered.



**VPN SUPPORT**—OpenVPN Connect app on iOS and Android® allows remote secure access to the home network



**SECURE WiFi CONNECTIONS**—Standards-based WiFi Security (802.11i, 128-bit AES encryption with PSK)



**PARENTAL CONTROLS**—Circle™ with Disney - the smart way for families to manage content and time online, on any device



**GUEST NETWORK**—Separate and secure network for your guests



**AUTOMATIC FIRMWARE UPDATE**—Delivers latest security patches to the router



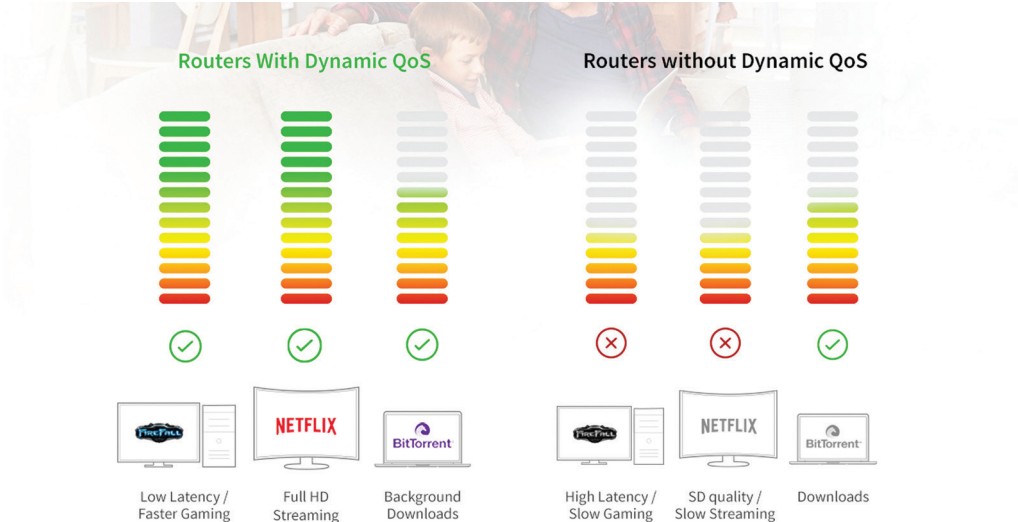
**PERSONAL FTP SERVER**—Customized free URL to create FTP server

# NIGHTHAWK®

# Nighthawk® AC1900 Smart WiFi Router–Dual Band Gigabit

### Dynamic Quality Of Service

If you like gaming and streaming videos, then you'll benefit from Dynamic Quality of Service (QoS). Dynamic QoS resolves Internet traffic congestion when you have competing Internet demands at home. Dynamic QoS identifies your online activities by application and device, and then utilizes bandwidth allocation, and traffic prioritization techniques, to automatically allocate more bandwidth to latency sensitive applications like online gaming and video streaming, while ensuring that lower priority applications continue to work.

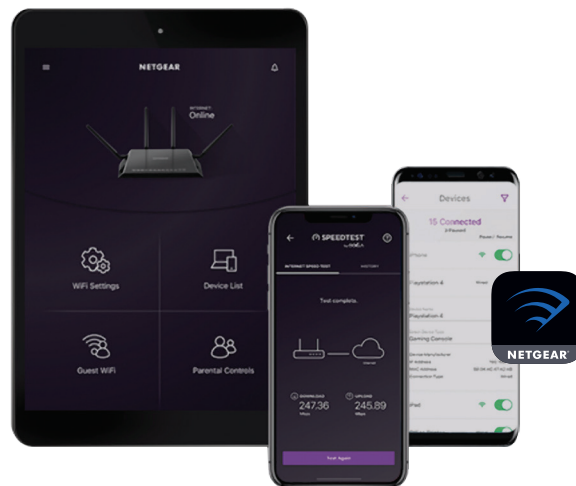


# NIGHTHAWK® Nighthawk® AC1900 Smart WiFi Router–Dual Band Gigabit

## Nighthawk® App

The NETGEAR Nighthawk® App makes it easy to set up your router and get more out of your WiFi. With the app, you can install your router in a few steps—just connect your mobile device to the router network and the app will walk you through the rest. Once set up, you can use the intuitive dashboard to pause the Internet on your connected devices, run a quick Internet speed test, setup smart parental controls and much more.

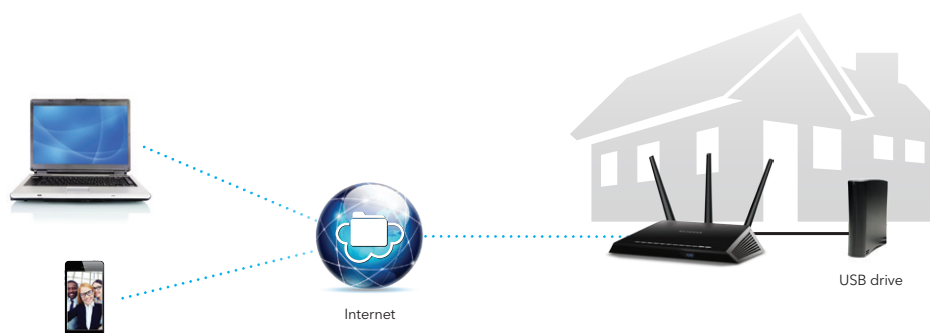
- Smart Parental Controls—Easily manage content & time online with Circle® with Disney
- Remote Management—Easily monitor your home network anytime, anywhere
- Internet Speed Test—Check the broadband speeds from your service provider
- Pause Internet—Pause the Internet to any device
- Traffic Meter—Track Internet data usage
- Guest Networks—Setup separate WiFi access for guests
- Quick Setup—Get connected in just minutes



## ReadyCLOUD® USB Access—Access Your Files Wherever, Whenever

Access and share your files via secure, personal cloud storage with NETGEAR ReadyCLOUD® USB Access. Once you've connected your USB drive to your NETGEAR Nighthawk® router and uploaded all your favorite files, you can enjoy the convenience and accessibility anytime & anywhere you have an Internet connection. No fees, storage limitations, or privacy concerns of cloud storage services. Using the ReadyCLOUD mobile app or web portal, you'll now have anytime, anywhere access to your USB drive at home... it's that easy!

- Setup your and access ReadyCLOUD via the web portal <http://readycloud.netgear.com/>
- Download mobile app for Android <https://play.google.com/store/apps/details?id=com.netgear.readycloud&hl=en>
- Download mobile app for iOS <https://itunes.apple.com/us/app/readycloud/id700730254?mt=8>



# NIGHTHAWK® Nighthawk® AC1900 Smart WiFi Router–Dual Band Gigabit

## Circle® with Disney



Circle with Disney is the smart way for families to manage content and time online, on any connected device. With the Circle app, you can easily:

- Limit daily Internet time for websites, apps, and more
- Set a BedTime for your family's devices
- Set individual filter for each family member that matches their age and interests
- Pause Internet by device or by user with a press of a button
- Schedule specific 'no internet' times with OffTime
- Check out where your family spends time online
- Reward kids with extended Time Limits, no OffTime, and a late BedTime for the day
- Use voice commands to ask Alexa™ about Time Limits and Usage

Learn more [netgear.com/circle](http://netgear.com/circle)

## Key Features:



FILTERS



TIME LIMITS



BEDTIME



USAGE



PAUSE



OFF TIME



REWARDS

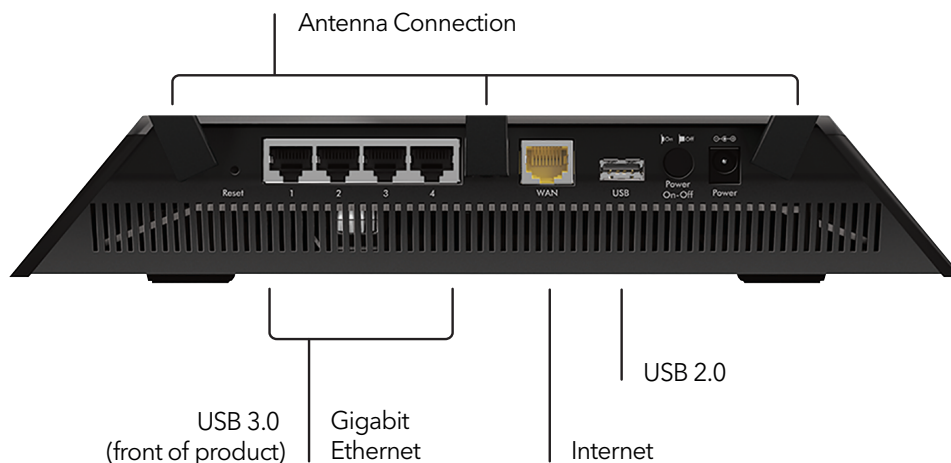


HISTORY



CONNECTIONS

## Connection Diagram



# NIGHTHAWK® Nighthawk® AC1900 Smart WiFi Router—Dual Band Gigabit

## Package Contents

- Nighthawk® AC1900 Smart WiFi Router (R7000)
- Three (3) detachable antennas
- Ethernet cable
- Quick start guide
- Power adapter, localized to country of sale

## Physical Specifications

- Dimensions: 11.22 x 7.26 x 1.97 in (285 x 184.5 x 50 mm)
- Weight: 1.65lbs (750g)

## Technical Specifications

- AC1900 WiFi†
  - Band 1: 600Mbps @2.4GHz + 256 QAM support
  - Band 2: 1300Mbps @5GHz 11ac
- Simultaneous Dual Band WiFi
  - Tx/Rx 3x3 (2.4GHz) + 3x3 (5GHz)
  - IEEE® 802.11 b/g/n 2.4 GHz
  - IEEE® 802.11 a/n/ac 5.0 GHz - 256 QAM support
- Powerful Dual-Core 1GHz processor
- Memory: 128 MB Flash and 256 MB RAM
- Three (3) external antennas with high powered amplifiers
- Five (5) 10/100/1000Mbps
  - 1 WAN & 4 LAN Gigabit Ethernet ports
- Two (2) USB ports—1 USB 3.0 & 1 USB 2.0 port
- IPv6 Support (Internet Protocol Version 6)
- On/Off LED lights option

## Standards

- One (1) USB 3.0 port
- IEEE® 802.11 b/g/n 2.4GHz + 256 QAM support
- IEEE® 802.11 a/n/ac 5.0GHz
- Five (5) 10/100/1000Mbps—(1 WAN & 4 LAN) Gigabit Ethernet ports

## Key Features

- Smart Connect—Same WiFi network name on 2.4 & 5GHz for automatic band selection
- Dynamic QoS—Prioritizes bandwidth by application and device
- ReadySHARE® USB—Share your USB hard drive and printer
- ReadyCLOUD® USB Access—Enjoy personal & secure cloud access to USB storage
- Customized free URL to set up personal FTP server
- Automatic firmware update delivers latest security patches to the router
- VPN support—Secure remote access. Now also on Mobile devices
- Guest network access—Separate & secure
- Implicit & Explicit Beamforming—More reliable connections
- Alexa Voice Control—Use Amazon Alexa™ to control your network with simple voice commands

## Support

- 90-day complimentary technical support following purchase from a NETGEAR authorized reseller
- Join the NETGEAR Community Forum. Visit <http://community.netgear.com>

## System Requirements

- Microsoft® Windows 7, 8, 10, Vista®, XP®, 2000, Mac OS®, UNIX®, or Linux®
- Microsoft® Internet Explorer® 5.0, Firefox® 2.0, Safari® 1.4, or Google Chrome™ 11.0 browsers or higher

## Security

- Standards-based WiFi Security (802.11i, 128-bit AES encryption with PSK)
- Automatic firmware update delivers latest security patches to the router
- Double firewall protection (SPI and NAT)
- Denial-of-service (DoS) attack prevention
- VPN Support—Secure access to your home network away from home

## Warranty

- [www.netgear.com/warranty/](http://www.netgear.com/warranty/)
- Extend your warranty & technical support within 90 days of product purchase [US only]. Visit: [prosupport.netgear.com/home](http://prosupport.netgear.com/home)

This product comes with a limited warranty that is valid only if purchased from a NETGEAR authorized reseller.

This router does not support all the mandatory features, such as Uplink OFDMA, as ratified in Draft 3.0 of IEEE 802.11AX specification.

† Maximum wireless signal rate derived from IEEE 802.11 specifications. Actual data throughput and wireless coverage will vary and may be lowered by network and environmental conditions, including network traffic volume and building construction. NETGEAR makes no representations or warranties about this product's compatibility with future standards.

Circle® with Disney includes the Free Basic Plan. Fees apply for a Premium Plan. Visit [netgear.com/circle](http://netgear.com/circle) for more information.

NETGEAR, the NETGEAR Logo, NETGEAR Armor, Nighthawk, ReadySHARE, and ReadyCLOUD are trademarks of NETGEAR, Inc. Mac, Mac OS, and the Mac logo are trademarks of Apple Inc. Any other trademarks herein are for reference purposes only. ©2018 NETGEAR, Inc.

NETGEAR, Inc. 350 E. Plumeria Drive, San Jose, CA 95134-1911 USA, [www.NETGEAR.com/support](http://www.NETGEAR.com/support)

D-R7000-0