

PKFY-P-VLM-E, PKFY-P-VKM-E

1. SPECIFICATIONS	1 - 226
2. EXTERNAL DIMENSIONS	1 - 229
3. CENTER OF GRAVITY	1 - 232
4. ELECTRICAL WIRING DIAGRAMS	1 - 233
5. SOUND LEVELS	1 - 235
5-1. Sound levels	1 - 235
5-2. NC curves	1 - 235
6. TEMPERATURE/AIRFLOW DISTRIBUTIONS.....	1 - 236
6-1. Temperature distributions	1 - 236
6-2. Airflow distributions	1 - 237
7. ELECTRICAL CHARACTERISTICS.....	1 - 238
8. OPTIONAL PARTS.....	1 - 239
8-1. Optional parts line up for the Indoor unit.....	1 - 239
8-2. External LEV Box.....	1 - 239
8-3. Drain pump	1 - 240

1. SPECIFICATIONS

Wall mounted

Model			PKFY-P10VLM-E	PKFY-P15VLM-E	PKFY-P20VLM-E	
Power source			1-phase 220-240V 50Hz, 1-phase 220-230V 60Hz	1-phase 220-240V 50Hz, 1-phase 220-230V 60Hz	1-phase 220-240V 50Hz, 1-phase 220-230V 60Hz	
Cooling capacity (Nominal)	*1	kW	1.2	1.7	2.2	
	*1	kcal / h	1,000	1,500	1,900	
	*1	BTU / h	4,100	5,800	7,500	
(220V)	Power input	kW	0.02	0.02	0.02	
	Current input	A	0.20	0.20	0.20	
Heating capacity (Nominal)	*2	kW	1.4	1.9	2.5	
	*2	kcal / h	1,200	1,600	2,200	
	*2	BTU / h	4,800	6,500	8,500	
(220V)	Power input	kW	0.01	0.01	0.01	
	Current input	A	0.15	0.15	0.15	
External finish			Plastic, MUNSELL (0.7PB 9.2/0.4)	Plastic, MUNSELL (0.7PB 9.2/0.4)	Plastic, MUNSELL (0.7PB 9.2/0.4)	
External dimension HxWxD			mm	299x773x237	299x773x237	
			in.	11-25/32 x 30-7/16 x 9-11/32	11-25/32 x 30-7/16 x 9-11/32	11-25/32 x 30-7/16 x 9-11/32
Net weight			kg(lbs)	11 (25)	11 (25)	
Heat exchanger			Cross fin (Aluminum fin and copper tube)	Cross fin (Aluminum fin and copper tube)	Cross fin (Aluminum fin and copper tube)	
FAN	Type x Quantity		Line flow fan x 1	Line flow fan x 1	Line flow fan x 1	
	External static press.	Pa	0	0	0	
		mmH ₂ O	0	0	0	
	Motor Type		DC motor	DC motor	DC motor	
	Motor output		kW	0.030	0.030	0.030
	Driving mechanism		Direct-driven	Direct-driven	Direct-driven	
	Airflow rate (Low-Mid2-Mid-High)	m ³ / min	3.3-3.5-3.8-4.2	4.0-4.2-4.4-4.7	4.0-4.4-4.9-5.4	
		L/s	55-58-63-70	67-70-73-78	67-73-82-90	
	cfm	117-124-134-148	141-148-155-166	141-155-173-191		
Sound pressure level (measured in anechoic room)			dB <A>	22-24-26-28	22-24-26-28	22-26-29-31
Insulation material			Polyethylene sheet	Polyethylene sheet	Polyethylene sheet	
Air filter			PP honeycomb	PP honeycomb	PP honeycomb	
Protection device			Fuse	Fuse	Fuse	
Refrigerant control device			LEV	LEV	LEV	
Connectable outdoor unit			R410A CITY MULTI	R410A CITY MULTI	R410A CITY MULTI	
Diameter of refrigerant pipe	Liquid (R410A)	mm(in.)	6.35(1/4) Flare	6.35(1/4) Flare	6.35(1/4) Flare	
	Gas (R410A)	mm(in.)	12.70(1/2) Flare	12.70(1/2) Flare	12.70(1/2) Flare	
Field drain pipe size		mm(in.)	I.D. 16(5/8)	I.D. 16(5/8)	I.D. 16(5/8)	
Drawing	External		-	-	-	
	Wiring		-	-	-	
	Refrigerant cycle		-	-	-	
Standard attachment	Document		Installation Manual, Instruction Book	Installation Manual, Instruction Book	Installation Manual, Instruction Book	
	Accessory		-	-	-	
Optional parts	External LEV Box		PAC-SK17LE-E	PAC-SG95LE-E	PAC-SG95LE-E	
	Drain pump		PAC-SK01DM-E	PAC-SK01DM-E	PAC-SK01DM-E	
Remarks			* Details on foundation work, duct work, insulation work, electrical wiring, power source switch, and other items shall be referred to the Installation Manual. * Due to continuing improvement, above specification may be subject to change without notice.			

Notes:	*1 Nominal cooling conditions (subject to JIS B8615-1)	*2 Nominal heating conditions (subject to JIS B8615-1)	Unit converter
	Indoor: 27°C D.B./19°C W.B. (81°F D.B./66°F W.B.)	20°C D.B. (68°F D.B.)	kcal/h = kW x 860
	Outdoor: 35°C D.B. (95°F D.B.)	7°C D.B./6°C W.B. (45°F D.B./43°F W.B.)	BTU/h = kW x 3,412
	Pipe length: 7.5 m (24-9/16 ft.)	7.5 m (24-9/16 ft.)	cfm = m ³ /min x 35.31
	Level difference: 0 m (0 ft.)	0 m (0 ft.)	lbs = kg/0.4536
			*The specification data is subject to rounding variation.

PKFY-P-VLM-E, VKM-E

1. SPECIFICATIONS

Wall mounted

Model			PKFY-P25VLM-E	PKFY-P32VLM-E	PKFY-P40VLM-E
Power source			1-phase 220-240V 50Hz, 1-phase 220-230V 60Hz	1-phase 220-240V 50Hz, 1-phase 220-230V 60Hz	1-phase 220-240V 50Hz, 1-phase 220-230V 60Hz
Cooling capacity (Nominal)	*1	kW	2.8	3.6	4.5
		kcal / h	2,400	3,100	3,900
		BTU / h	9,600	12,300	15,400
(220V)	Power input	kW	0.03	0.04	0.04
		Current input	A	0.25	0.35
Heating capacity (Nominal)	*2	kW	3.2	4.0	5.0
		kcal / h	2,800	3,400	4,300
		BTU / h	10,900	13,600	17,100
(220V)	Power input	kW	0.02	0.03	0.03
		Current input	A	0.20	0.30
External finish			Plastic, MUNSELL (0.7PB 9.2/0.4)	Plastic, MUNSELL (0.7PB 9.2/0.4)	Plastic, MUNSELL (0.7PB 9.2/0.4)
External dimension HxWxD			mm	299x773x237	299x898x237
			in.	11-25/32 x 30-7/16 x 9-11/32	11-25/32 x 30-7/16 x 9-11/32
Net weight			kg(lbs)	11 (25)	13(29)
Heat exchanger			Cross fin (Aluminum fin and copper tube)	Cross fin (Aluminum fin and copper tube)	Cross fin (Aluminum fin and copper tube)
FAN	Type x Quantity		Line flow fan x 1	Line flow fan x 1	Line flow fan x 1
	External static press.	Pa	0	0	0
		mmH ₂ O	0	0	0
	Motor Type		DC motor	DC motor	DC motor
	Motor output		kW	0.030	0.030
	Driving mechanism		Direct-driven	Direct-driven	Direct-driven
	Airflow rate (Low-Mid2-Mid-High)	m ³ / min	4.0-4.6-5.4-6.7	4.3-5.4-6.9-8.4	6.3-7.4-8.6-10.0
		L/s	67-77-90-112	72-90-115-140	105-123-143-167
cfm		141-162-191-237	152-191-244-297	222-261-304-353	
Sound pressure level (measured in anechoic room)			dB <A>	22-27-31-35	24-31-37-41
Insulation material			Polyethylene sheet	Polyethylene sheet	Polyethylene sheet
Air filter			PP honeycomb	PP honeycomb	PP honeycomb
Protection device			Fuse	Fuse	Fuse
Refrigerant control device			LEV	LEV	LEV
Connectable outdoor unit			R410A CITY MULTI	R410A CITY MULTI	R410A CITY MULTI
Diameter of refrigerant pipe	Liquid (R410A)	mm(in.)	6.35(1/4) Flare	6.35(1/4) Flare	6.35(1/4) Flare
	Gas (R410A)	mm(in.)	12.70(1/2) Flare	12.70(1/2) Flare	12.70(1/2) Flare
Field drain pipe size			mm(in.)	I.D. 16(5/8)	I.D. 16(5/8)
Drawing	External		-	-	-
	Wiring		-	-	-
	Refrigerant cycle		-	-	-
Standard attachment	Document		Installation Manual, Instruction Book	Installation Manual, Instruction Book	Installation Manual, Instruction Book
	Accessory		-	-	-
Optional parts	External LEV Box		PAC-SG95LE-E	PAC-SG95LE-E	PAC-SG95LE-E
	Drain pump		PAC-SK01DM-E	PAC-SK01DM-E	PAC-SK01DM-E
Remarks			* Details on foundation work, duct work, insulation work, electrical wiring, power source switch, and other items shall be referred to the Installation Manual. * Due to continuing improvement, above specification may be subject to change without notice.		

Notes:	*1 Nominal cooling conditions (subject to JIS B8615-1)	*2 Nominal heating conditions (subject to JIS B8615-1)	Unit converter
	Indoor: 27°C D.B./19°C W.B. (81°F D.B./66°F W.B.)	20°C D.B. (68°F D.B.)	kcal/h = kW x 860
	Outdoor: 35°C D.B. (95°F D.B.)	7°C D.B./6°C W.B. (45°F D.B./43°F W.B.)	BTU/h = kW x 3,412
	Pipe length: 7.5 m (24-9/16 ft.)	7.5 m (24-9/16 ft.)	cfm = m ³ /min x 35.31
	Level difference: 0 m (0 ft.)	0 m (0 ft.)	lbs = kg/0.4536
			*The specification data is subject to rounding variation.

PKFY-P-VLM-E, VKM-E

1. SPECIFICATIONS

Wall mounted

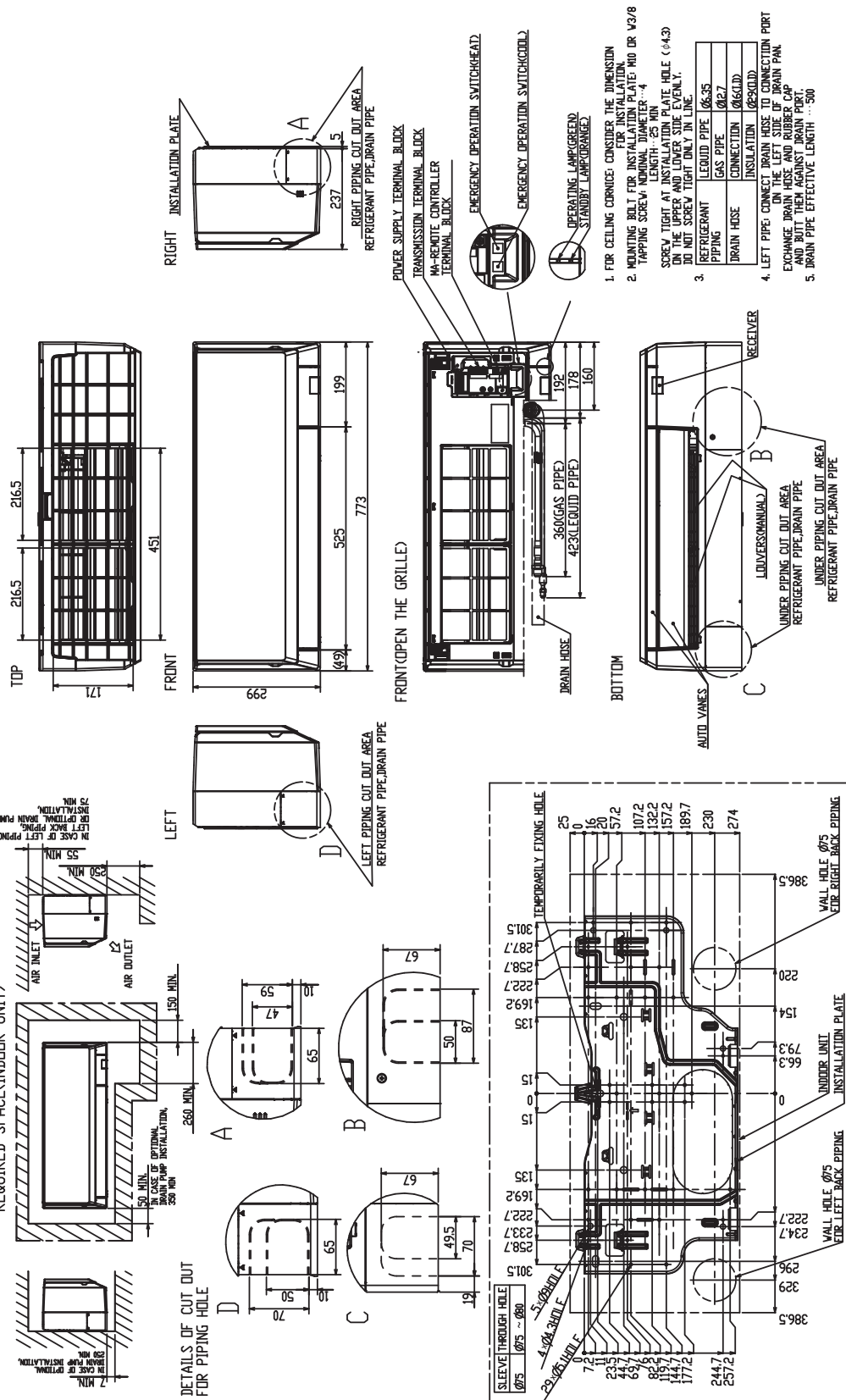
Model			PKFY-P50VLM-E	PKFY-P63VKM-E	PKFY-P100VKM-E
Power source			1-phase 220-240V 50Hz, 1-phase 220-230V 60Hz	1-phase 220-240V 50Hz, 1-phase 220V 60Hz	1-phase 220-240V 50Hz, 1-phase 220V 60Hz
Cooling capacity (Nominal)	*1	kW	5.6	7.1	11.2
	*1	kcal / h	4,800	6,100	9,600
	*1	BTU / h	19,100	24,200	38,200
(220V)	Power input	kW	0.05	0.05	0.08
	Current input	A	0.45	0.37	0.58
Heating capacity (Nominal)	*2	kW	6.3	8.0	12.5
	*2	kcal / h	5,400	6,900	10,800
	*2	BTU / h	21,500	27,300	42,600
(220V)	Power input	kW	0.04	0.04	0.07
	Current input	A	0.40	0.30	0.51
External finish			Plastic, MUNSELL (0.7PB 9.2/0.4)	Plastic, MUNSELL (1.0Y 9.2/0.2)	Plastic, MUNSELL (1.0Y 9.2/0.2)
External dimension HxWxD			mm	299x898x237	365x1170x295
			in.	11-25/32 x 35-3/8 x 9-11/32	14-3/8 x 46-1/16 x 11-5/8
Net weight			kg(lbs)	13(29)	21(46)
Heat exchanger			Cross fin (Aluminum fin and copper tube)	Cross fin (Aluminum fin and copper tube)	Cross fin (Aluminum fin and copper tube)
FAN	Type x Quantity		Line flow fan x 1	Line flow fan x 1	Line flow fan x 1
	External static press.	Pa	0	0	0
		mmH ₂ O	0	0	0
	Motor Type		DC motor	DC motor	DC motor
	Motor output		kW	0.030	0.056
	Driving mechanism		Direct-driven	Direct-drive	Direct-drive
	Airflow rate (Low-(Mid2-Mid)-High)	m ³ / min	6.8-8.3-10.2-12.4	16-20	20-26
		L/s	113-138-170-207	267-333	333-433
cfm		240-293-360-438	565-706	706-918	
Sound pressure level (measured in anechoic room)			dB <A>	31-36-41-46	39-45
Insulation material			Polyethylene sheet	Polyethylene sheet	Polyethylene sheet
Air filter			PP honeycomb	PP honeycomb	PP honeycomb
Protection device			Fuse	Fuse	Fuse
Refrigerant control device			LEV	LEV	LEV
Connectable outdoor unit			R410A CITY MULTI	R410A CITY MULTI	R410A CITY MULTI
Diameter of refrigerant pipe	Liquid (R410A)	mm(in.)	6.35(1/4) Flare	9.52(3/8) Flare	9.52(3/8) Flare
	Gas (R410A)	mm(in.)	12.70(1/2) Flare	15.88(5/8) Flare	15.88(5/8) Flare
Field drain pipe size			mm(in.)	I.D. 16(5/8)	I.D. 16(5/8)
Drawing	External		-	-	-
	Wiring		-	-	-
	Refrigerant cycle		-	-	-
Standard attachment	Document		Installation Manual, Instruction Book	Installation Manual, Instruction Book	Installation Manual, Instruction Book
	Accessory		-	-	-
Optional parts	External LEV Box		PAC-SG95LE-E	PAC-SG95LE-E	-
	Drain pump		PAC-SK01DM-E	PAC-SH94DM-E	PAC-SH94DM-E
Remarks			* Details on foundation work, duct work, insulation work, electrical wiring, power source switch, and other items shall be referred to the Installation Manual. * Due to continuing improvement, above specification may be subject to change without notice.		

Notes:	*1 Nominal cooling conditions (subject to JIS B8615-1)	*2 Nominal heating conditions (subject to JIS B8615-1)	Unit converter
	Indoor: 27°C.D.B./19°C.W.B. (81°F.D.B./66°F.W.B.)	20°C.D.B. (68°F.D.B.)	kcal/h = kW x 860
	Outdoor: 35°C.D.B. (95°F.D.B.)	7°C.D.B./6°C.W.B. (45°F.D.B./43°F.W.B.)	BTU/h = kW x 3,412
	Pipe length: 7.5 m (24-9/16 ft.)	7.5 m (24-9/16 ft.)	cfm = m ³ /min x 35.31
	Level difference: 0 m (0 ft.)	0 m (0 ft.)	lbs = kg/0.4536
			*The specification data is subject to rounding variation.

PKFY-P-VLM-E, VKM-E

PKFY-P10, 15, 20, 25, 32VLM-E

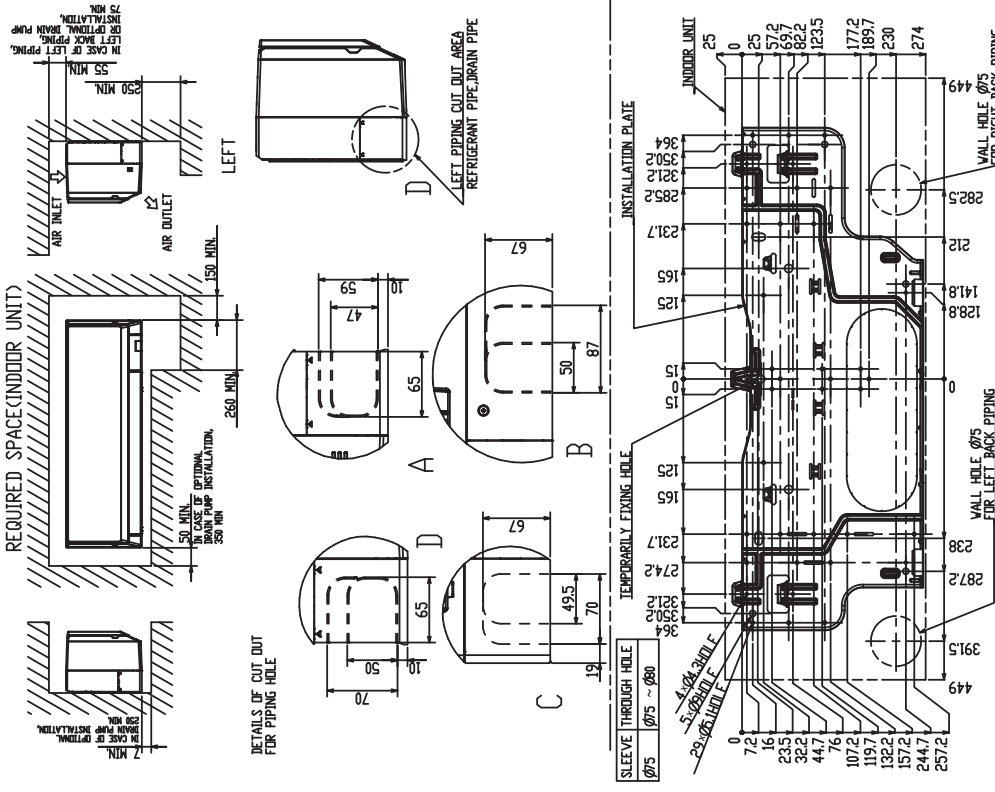
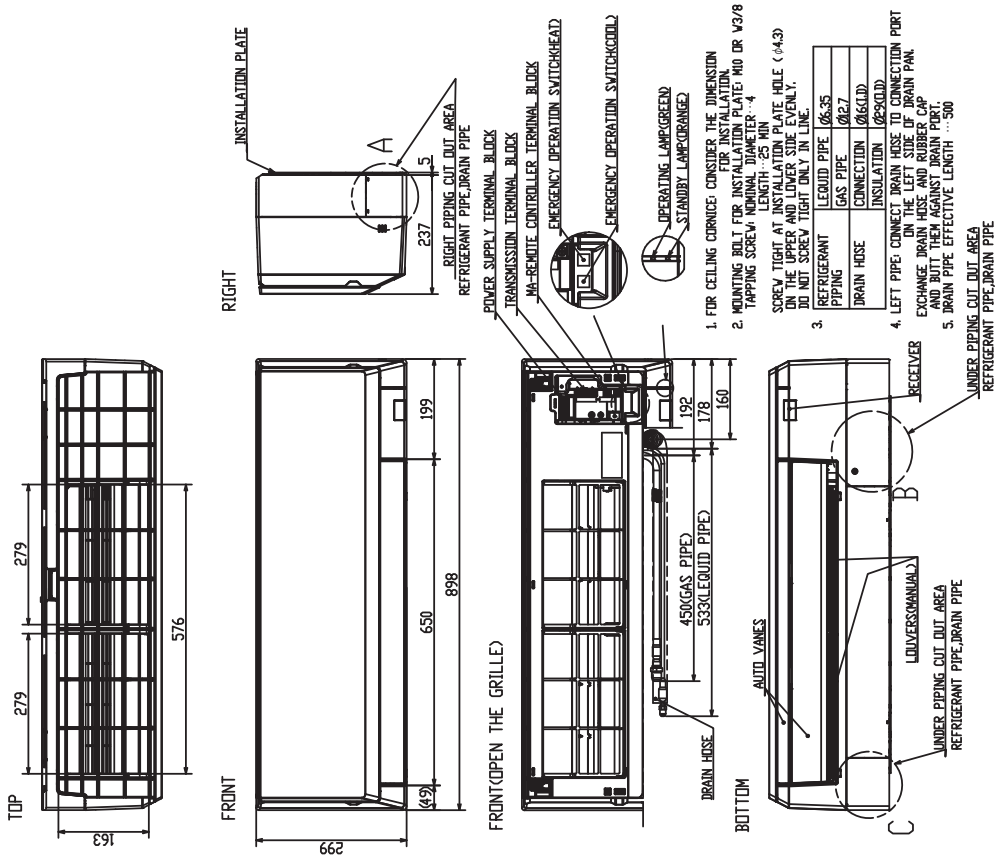
Unit: mm



PKFY-P-VLM-E, VKM-E

PKFY-P40, 50VLM-E

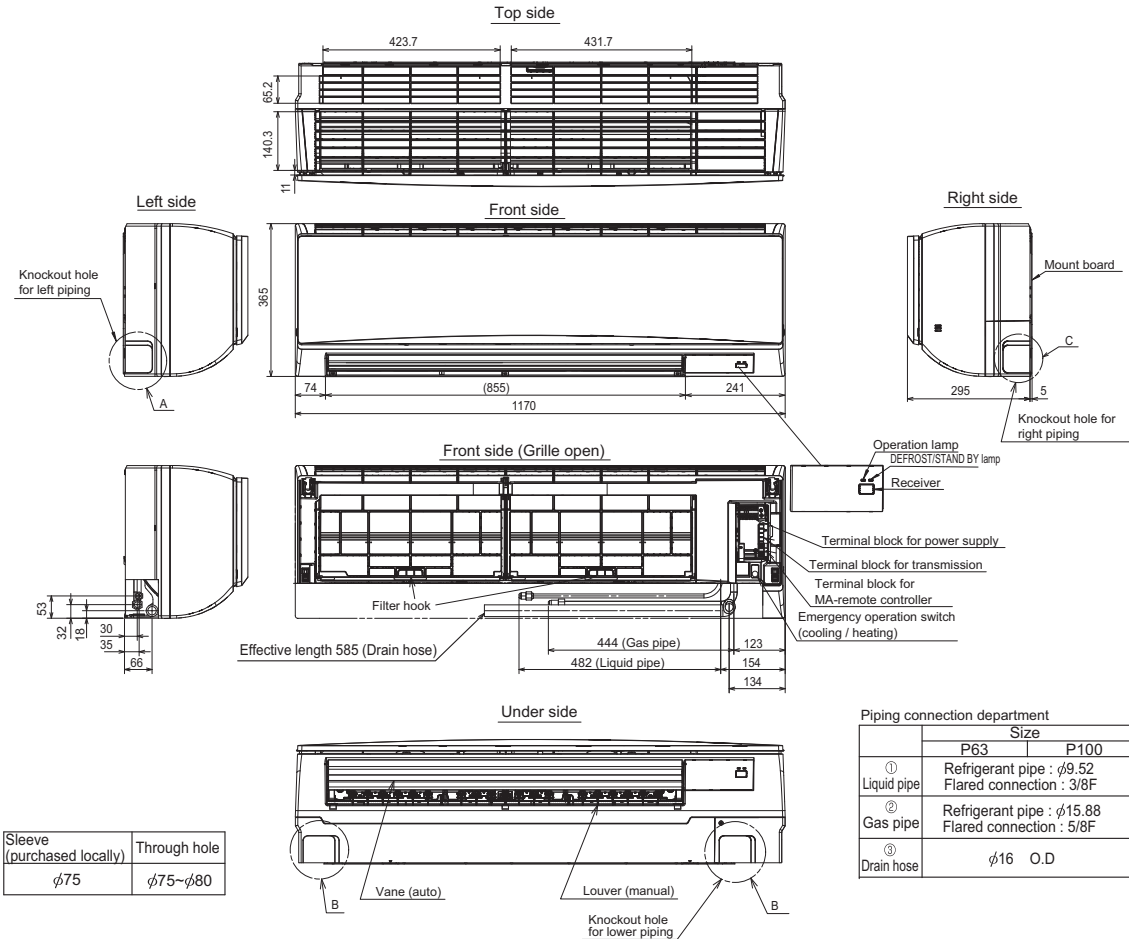
Unit: mm



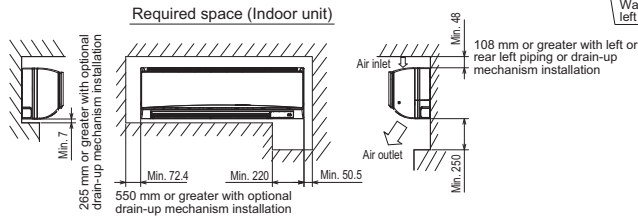
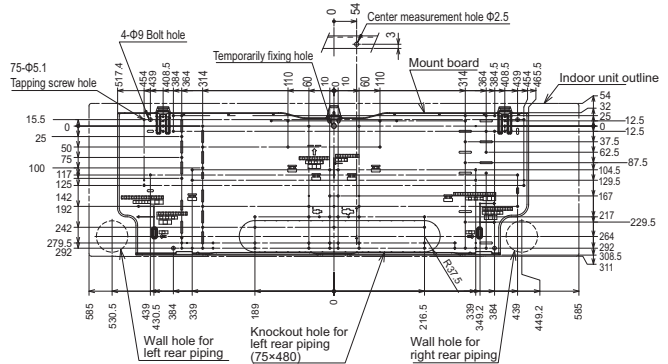
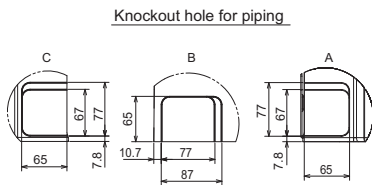
PKFY-P-VLM-E, VKM-E

PKFY-P63, 100VKM-E

Unit : mm

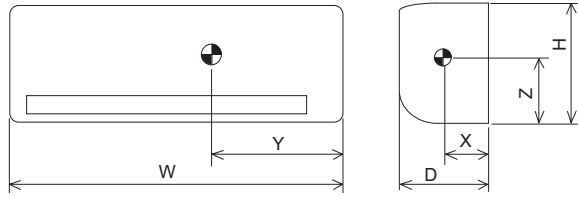


Sleeve (purchased locally)	Through hole
$\phi 75$	$\phi 75 \sim \phi 80$



PKFY-P-VLM-E, VKM-E

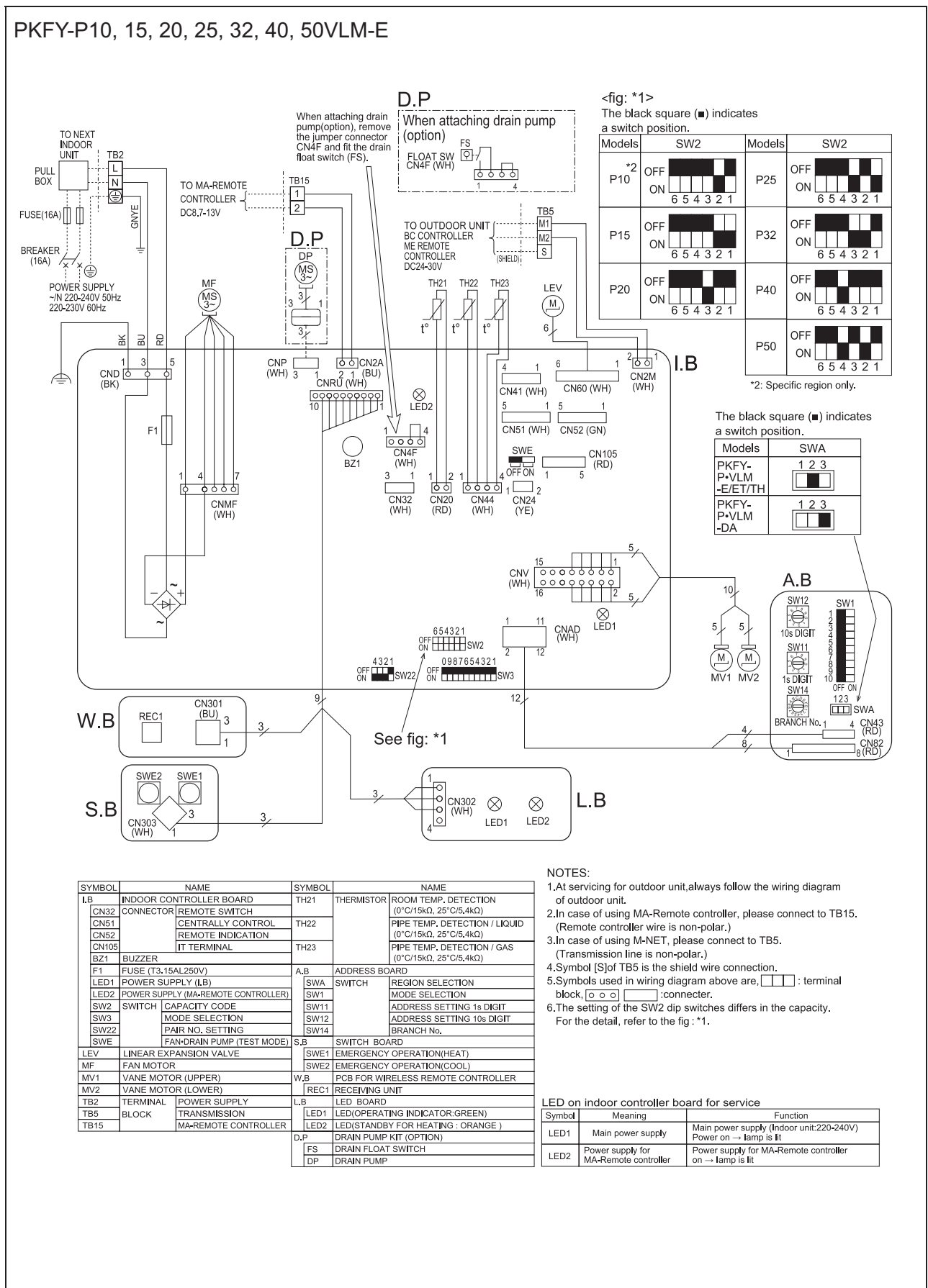
PKFY-P-VLM-E, VKM-E



(mm)						
Model	W	D	H	X	Y	Z
PKFY-P10VLM-E	773	237	299	130	340	150
PKFY-P15VLM-E	773	237	299	130	340	150
PKFY-P20VLM-E	773	237	299	130	340	150
PKFY-P25VLM-E	773	237	299	130	340	150
PKFY-P32VLM-E	773	237	299	130	340	150
PKFY-P40VLM-E	898	237	299	120	390	150
PKFY-P50VLM-E	898	237	299	120	390	150
PKFY-P63VKM-E	1170	295	365	190	460	190
PKFY-P100VKM-E	1170	295	365	190	460	190

PKFY-P-VLM-E, VKM-E

PKFY-P10, 15, 20, 25, 32, 40, 50VLM-E



SYMBOL	NAME	SYMBOL	NAME
LB	INDOOR CONTROLLER BOARD	TH21	THERMISTOR ROOM TEMP. DETECTION (0°C/15kΩ, 25°C/5.4kΩ)
CN32	CONNECTOR REMOTE SWITCH	TH22	PIPE TEMP. DETECTION / LIQUID (0°C/15kΩ, 25°C/5.4kΩ)
CN51	CENTRALLY CONTROL REMOTE INDICATION	TH23	PIPE TEMP. DETECTION / GAS (0°C/15kΩ, 25°C/5.4kΩ)
CN52	IT TERMINAL		
CN105			
BZ1	BUZZER		
F1	FUSE (T3.15A/250V)	A.B	ADDRESS BOARD
LED1	POWER SUPPLY (L.B)	SWA	SWITCH REGION SELECTION
LED2	POWER SUPPLY (MA-REMOTE CONTROLLER)	SW11	MODE SELECTION
SW2	SWITCH CAPACITY CODE	SW11	ADDRESS SETTING 1s DIGIT
SW3	MODE SELECTION	SW12	ADDRESS SETTING 10s DIGIT
SW22	PAIR NO. SETTING	SW14	BRANCH No.
SWE	FAN-DRAIN PUMP (TEST MODE)	S.B	SWITCH BOARD
LEV	LINEAR EXPANSION VALVE	SWE1	EMERGENCY OPERATION (HEAT)
MF	FAN MOTOR	SWE2	EMERGENCY OPERATION (COOL)
MV1	VANE MOTOR (UPPER)	W.B	PCB FOR WIRELESS REMOTE CONTROLLER
MV2	VANE MOTOR (LOWER)	REC1	RECEIVING UNIT
TB2	TERMINAL POWER SUPPLY	L.B	LED BOARD
TB5	BLOCK TRANSMISSION	LED1	LED (OPERATING INDICATOR: GREEN)
TB15	MA-REMOTE CONTROLLER	LED2	LED (STANDBY FOR HEATING : ORANGE)
		D.P	DRAIN PUMP KIT (OPTION)
		FS	DRAIN FLOAT SWITCH
		DP	DRAIN PUMP

- NOTES:**
- At servicing for outdoor unit, always follow the wiring diagram of outdoor unit.
 - In case of using MA-Remote controller, please connect to TB15. (Remote controller wire is non-polar.)
 - In case of using M-NET, please connect to TB5. (Transmission line is non-polar.)
 - Symbol [S] of TB5 is the shield wire connection.
 - Symbols used in wiring diagram above are, [] : terminal block, [] : connector.
 - The setting of the SW2 dip switches differs in the capacity. For the detail, refer to the fig: *1.

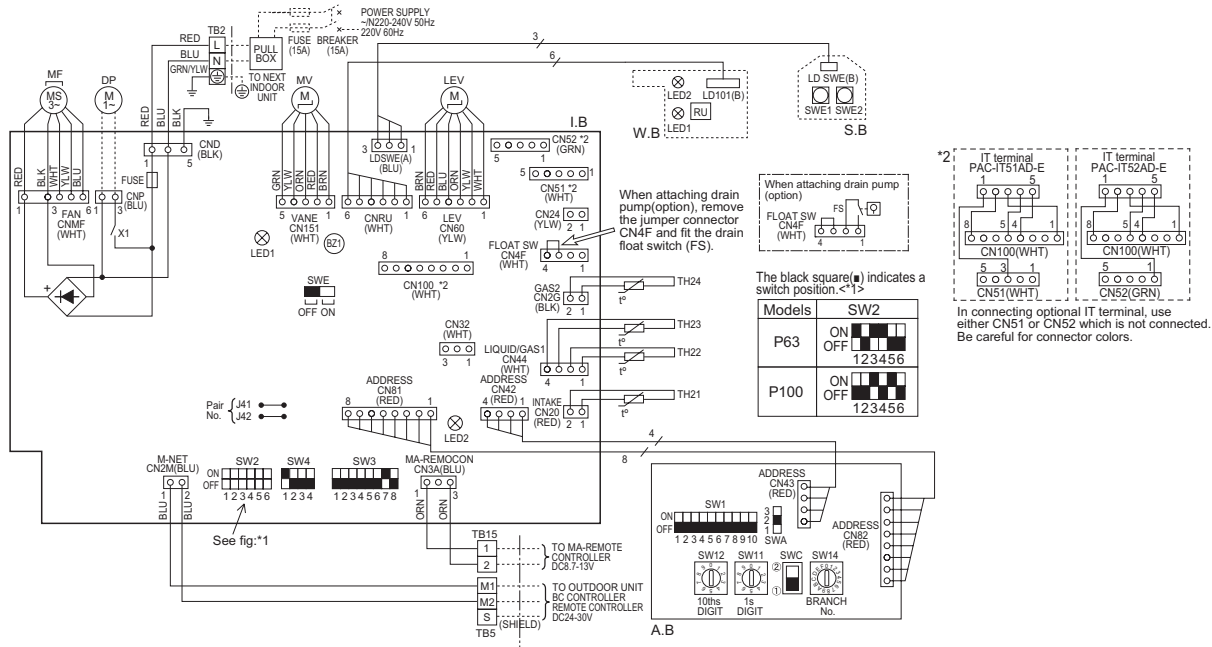
LED on indoor controller board for service

Symbol	Meaning	Function
LED1	Main power supply	Main power supply (Indoor unit:220-240V) Power on → lamp is lit
LED2	Power supply for MA-Remote controller	Power supply for MA-Remote controller on → lamp is lit

PKFY-P-VLM-E, VKM-E

PKFY-P63, 100VKM-E

SYMBOL	NAME	SYMBOL	NAME
I.B	INDOOR CONTROLLER BOARD	TH21	THERMISTOR ROOM TEMP. DETECTION (0°C/15kΩ, 25°C/5.4kΩ)
CN32	CONNECTOR REMOTE SWITCH	TH22	PIPE TEMP. DETECTION / LIQUID (0°C/15kΩ, 25°C/5.4kΩ)
CN51	CENTRALLY CONTROL	TH23	PIPE TEMP. DETECTION / GAS1 (0°C/15kΩ, 25°C/5.4kΩ)
CN52	REMOTE INDICATION	TH24	PIPE TEMP. DETECTION / GAS2 (0°C/15kΩ, 25°C/5.4kΩ)
CN100	IT TERMINAL	A.B	ADDRESS BOARD
BZ1	BUZZER	SWA	SWITCH FAN SPEED SELECTOR
FUSE	FUSE (T3.15AL 250V)	SW1	MODE SELECTION
LED1	POWER SUPPLY(I.B)	SW11	ADDRESS SETTING 1s DIGIT
LED2	POWER SUPPLY(I.B)	SW12	ADDRESS SETTING 10ths DIGIT
SW2	SWITCH CAPACITY CODE	SW14	BRANCH No.
SW3	MODE SELECTION	S.B	SWITCH BOARD
SW4	MODEL SELECTOR	SWE1	EMERGENCY OPERATION(HEAT)
SWE	DRAIN PUMP(TEST MODE)	SWE2	EMERGENCY OPERATION(COOL)
X1	AUX.RELAY DRAIN PUMP(OPTION)	W.B	PCB FOR WIRELESS REMOTE CONTROLLER
LEV	LINEAR EXPANSION VALVE	LED1	LED(OPERATION INDICATOR:GREEN)
MF	FAN MOTOR	LED2	LED(PREPARATION FOR HEATING : ORANGE)
MV	VANE MOTOR	RU	RECEIVING UNIT
TB2	TERMINAL POWER SUPPLY	DP	DRAIN PUMP (OPTION)
TB5	BLOCK TRANSMISSION	FS	DRAIN FLOAT SWITCH (OPTION)
TB15	BLOCK MA-REMOTE CONTROLLER		



NOTES:

- At servicing for outdoor unit, always follow the wiring diagram of outdoor unit.
- In case of using MA-Remote controller, please connect to TB15. (Remote controller wire is non-polar.)
- In case of using M-NET, please connect to TB5. (Transmission line is non-polar.)
- Symbol [S] of TB5 is the shield wire connection.
- Symbols used in wiring diagram above are, □ □ □ : terminal block, ○ ○ ○ : connector.
- The setting of the SW2 dip switches differs in the capacity. For the detail, refer to the fig.*1.

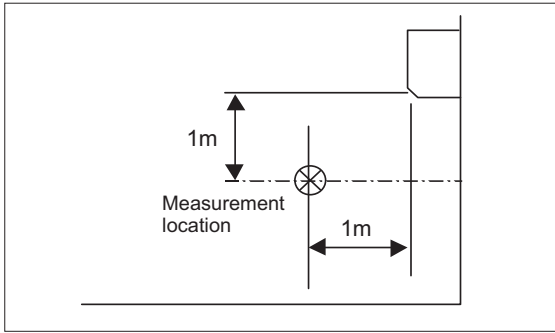
LED on indoor board for service

Mark	Meaning	Function
LED1	Main power supply	Main power supply (Indoor unit:220-240V) Power on → lamp is lit
LED2	Power supply for MA-Remote controller	Power supply for MA-Remote controller on → lamp is lit

PKFY-P-VL-M-E, VKM-E

5-1. Sound levels

Wall mounted

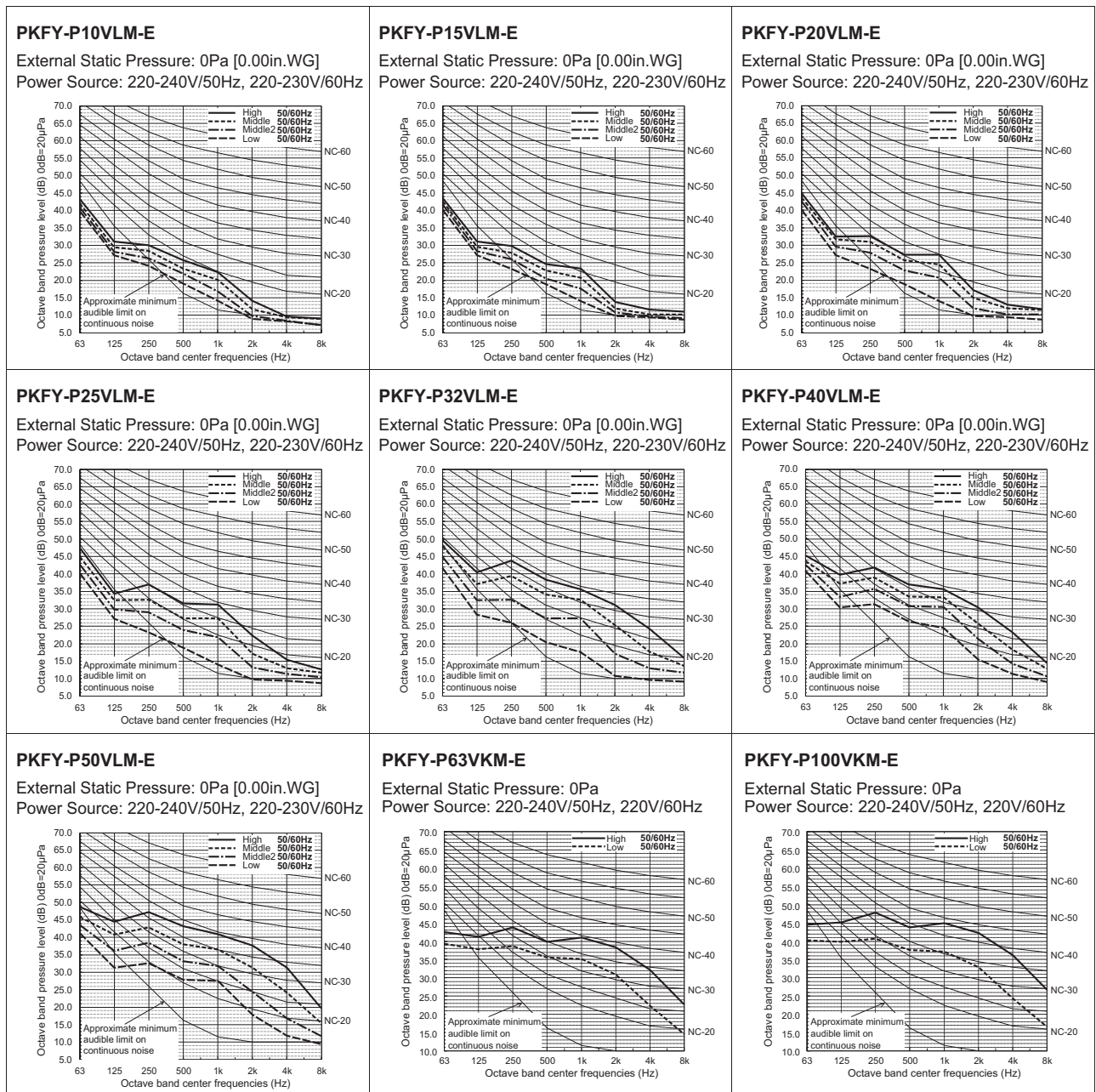


* Measured in anechoic room.

Sound level at anechoic room: Low-(Middle2-Middle)-High

Model	Sound level dB (A)
PKFY-P10VLM-E	22-24-26-28
PKFY-P15VLM-E	22-24-26-28
PKFY-P20VLM-E	22-26-29-31
PKFY-P25VLM-E	22-27-31-35
PKFY-P32VLM-E	24-31-37-41
PKFY-P40VLM-E	29-34-37-40
PKFY-P50VLM-E	31-36-41-46
PKFY-P63VKM-E	39-45
PKFY-P100VKM-E	41-49

5-2. NC curves

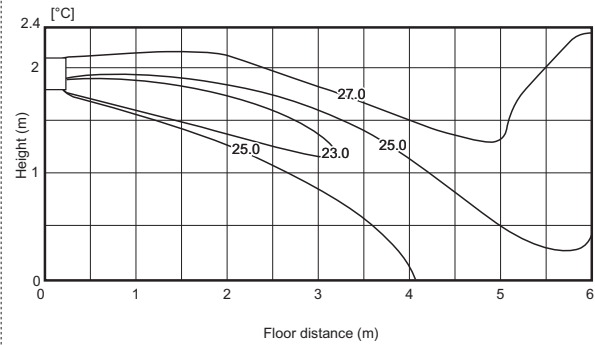


PKFY-P-VLM-E, VKM-E

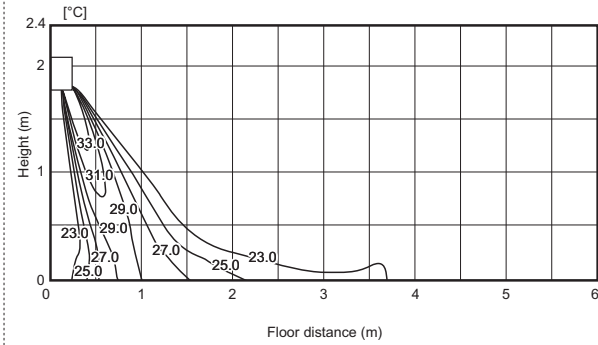
6-1. Temperature distributions

PKFY-P32VLM-E

<Cooling mode>
Horizontal air flow

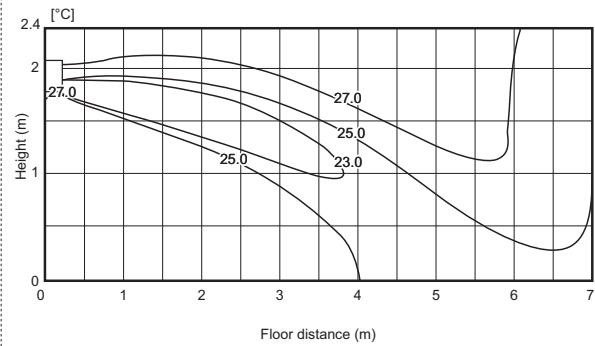


<Heating mode>
Downward air flow

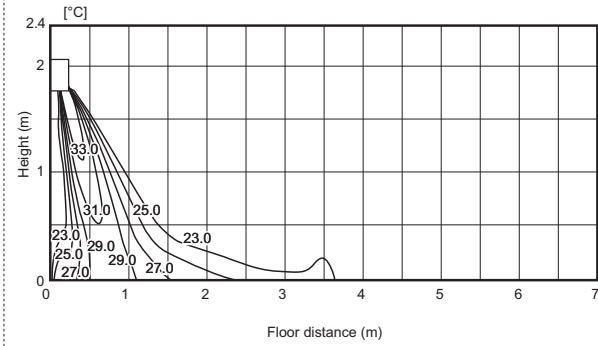


PKFY-P50VLM-E

<Cooling mode>
Horizontal air flow

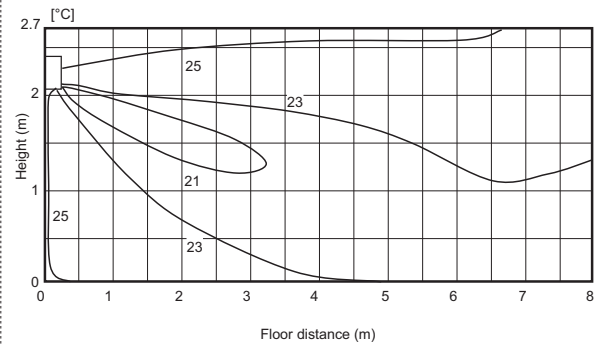


<Heating mode>
Downward air flow

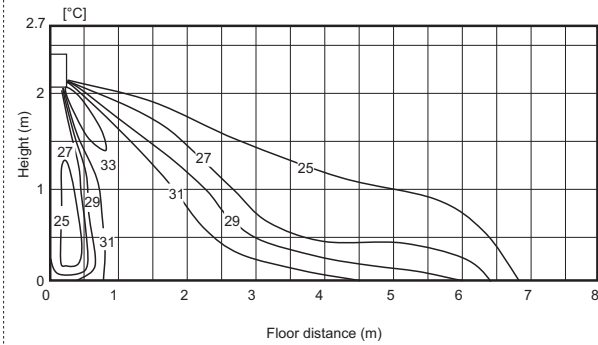


PKFY-P63, 100VKM-E

<Cooling mode>
Horizontal air flow



<Heating mode>
Downward air flow



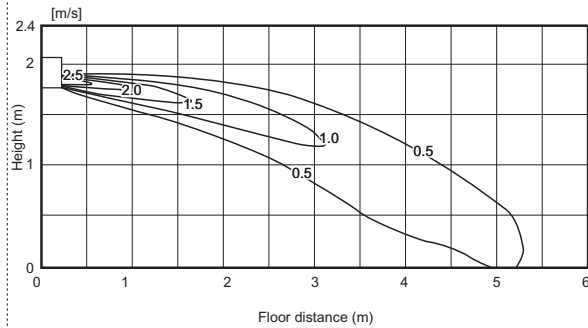
PKFY-P-VLM-E, VKM-E

Note : These figures show typical temperature distributions in the conditions above. In the actual installation, they may differ from these figures under the influence of air temperature conditions, ceiling height, cooling/heating load, obstacles, etc.

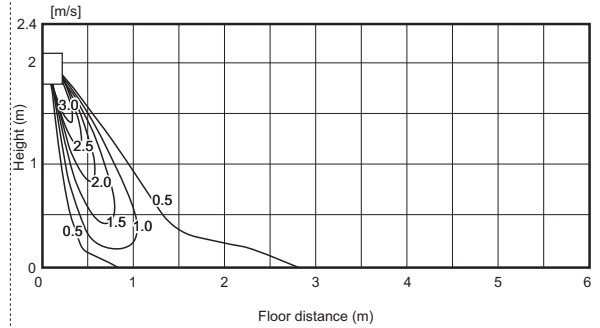
6-2. Airflow distributions

PKFY-P32VLM-E

<Cooling mode>
Horizontal air flow

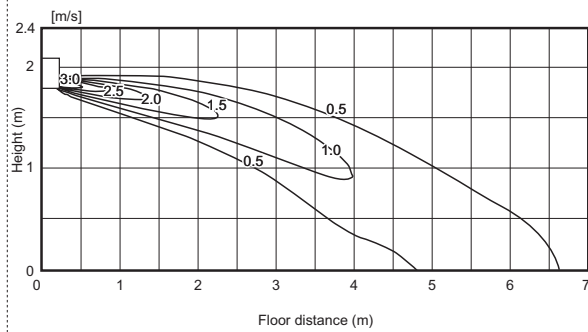


<Heating mode>
Downward air flow

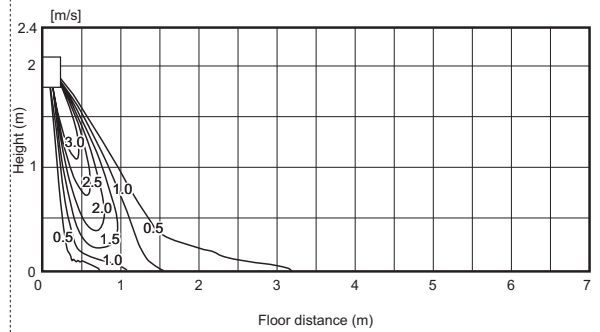


PKFY-P50VLM-E

<Cooling mode>
Horizontal air flow

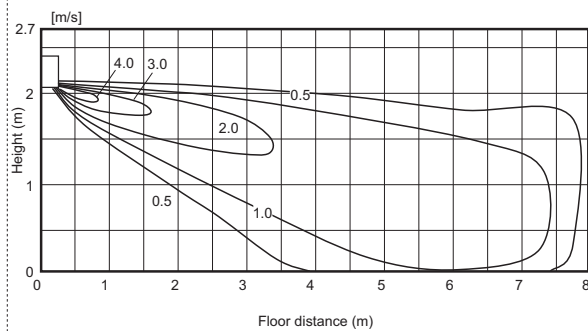


<Heating mode>
Downward air flow

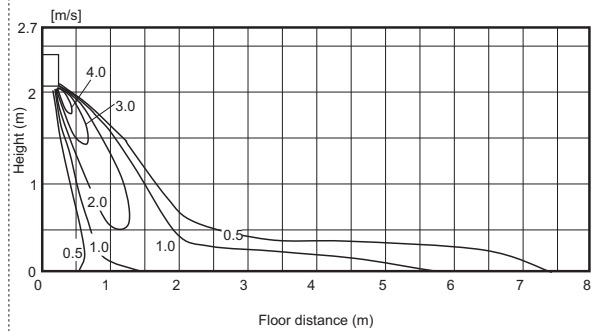


PKFY-P63, 100VKM-E

<Fan mode>
Horizontal air flow



<Fan mode>
Downward air flow



Note : These figures show typical airflow distributions in the conditions above. In the actual installation, they may differ from these figures under the influence of air temperature conditions, ceiling height, cooling/heating load, obstacles, etc.

PKFY-P-VLM-E, VKM-E

7. ELECTRICAL CHARACTERISTICS

Wall mounted

Symbols: MCA (Max.Circuit Amps =1.25xFLA), FLA (Full Load Amps)
IFM (Indoor Fan Motor), Output (Fan motor rated output)

PKFY-P-VLM-E	Power supply			IFM	
	Volts/Hz	Range +-10%	MCA(A)	Output (kW)	FLA(A)
PKFY-P10VLM-E	220-240V/50Hz 220-230V/60Hz	Max.: 264V Min.: 198V	0.25	0.030	0.20
PKFY-P15VLM-E			0.25	0.030	0.20
PKFY-P20VLM-E			0.25	0.030	0.20
PKFY-P25VLM-E			0.32	0.030	0.25
PKFY-P32VLM-E			0.44	0.030	0.35
PKFY-P40VLM-E			0.44	0.030	0.35
PKFY-P50VLM-E			0.57	0.030	0.45

PKFY-P-VKM-E	Power supply			IFM	
	Volts/Hz	Range +-10%	MCA(A)	Output (kW)	FLA(A)
PKFY-P63VKM-E	220-240V/50Hz	Max.: 264V	0.36	0.056	0.29
PKFY-P100VKM-E	220V/60Hz	Min.: 198V	0.63	0.056	0.50

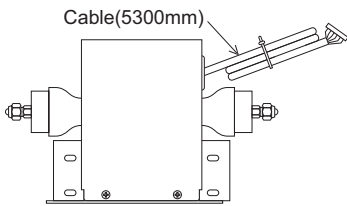
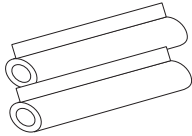

PKFY-P-VLM-E, VKM-E

8-1. Optional parts line up for the Indoor unit

	External LEV Box	Drain pump
PKFY-P10VLM-E	PAC-SK17LE-E	PAC-SK01DM-E
PKFY-P15, 20, 25, 32, 40, 50VLM-E	PAC-SG95LE-E	PAC-SK01DM-E
PKFY-P63, 100VKM-E	PAC-SG95LE-E (For P63 only)	PAC-SH94DM-E

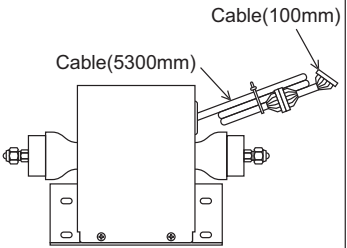
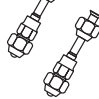
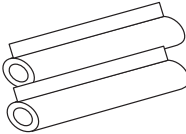

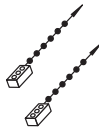
8-2. External LEV Box

PAC-SK17LE-E

Item	① External LEV Box	② Pipe cover	③ Band
Quantity	1	2	7
Shape			

Detailed installation information should be referred to its Installation Manual.

PAC-SG95LE-E

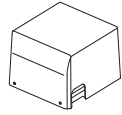

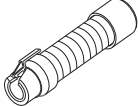
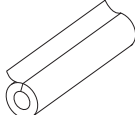
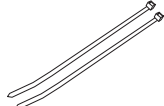
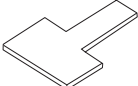
Item	① External LEV Box	② Joint pipe	③ Pipe cover	④ Band	⑤ Fastener
Quantity	1	2	2	6	2
Shape					

Detailed installation information should be referred to its Installation Manual.

8-3. Drain pump

PAC-SK01DM-E

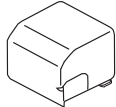

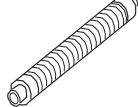
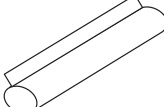

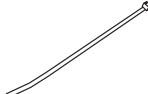
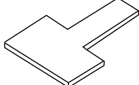
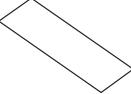
If drain water can not flow out the Indoor unit by gravity and gradient, a Drain-pump for draining is needed.
Drain pump PAC-SK01DM-E can pump water up to 850mm high from the drain pan.

Item	① Drain pump	② Screw	③ Drain hose	④ Flexible hose cover	⑤ Band
Quantity	1	(M4×16)×1, (M4×35)×6	1	1	2
Shape					
Item	⑥ Paper gauge				
Quantity	1				
Shape					

Detailed installation information should be referred to its Installation Manual.

PAC-SH94DM-E

If drain water can not flow out the Indoor unit by gravity and gradient, a Drain-pump for draining is needed.
Drain pump PAC-SH94DM-E can pump water up to 800mm high from the drain pan.

Item	① Drain pump	② Screw	③ Drain hose	④ Drain hose cover	⑤ Hose band
Quantity	1	(M4×16)×1, (M4×35)×6	1	1	1
Shape					
Item	⑥ Band	⑦ Installtion plate	⑧ Wiring diagram		
Quantity	1	1	1		
Shape					

Detailed installation information should be referred to its Installation Manual.