

UNIVERSE®

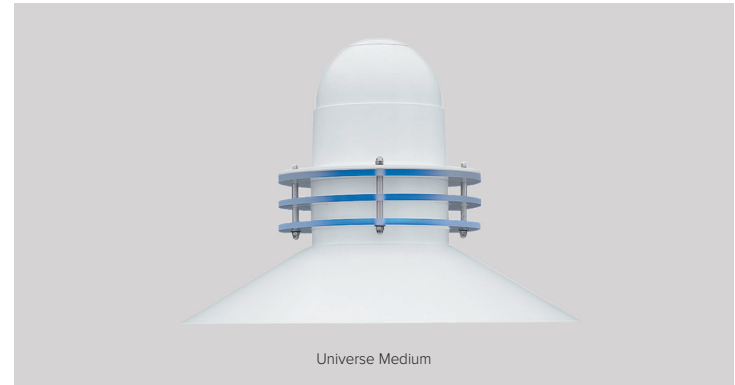
FEATURES

- Reliable, uniform, illumination
- Types 1, 2, 3, 4W, 5Q, and 5W distributions
- 3000K, 4000K, 5000K CCT
- 0-10V dimming ready
- Integral surge protection: 10k in parallel, 20k in series
- Upgrade Kits



3000K and warmer CCTs only

See Certification Specifications



Universe Medium

RELATED PRODUCTS

[UCL2](#)

[UCL2-LK](#)

[UCS](#)

[UCB](#)

SPECIFICATIONS

CONSTRUCTION

- All housing components die cast aluminum 360 alloy, sealed with continuous silicone rubber gaskets
- Standard configurations do not require a flat lens, optional lenses are tempered glass
- All internal and external hardware is stainless steel
- Finish: fade and abrasion resistant, electrostatically applied, thermally cured, triglycidyl isocyanurate (TGIC) polyester powdercoat
- Optical bezel finish matches the luminaire housing

LED/OPTICS

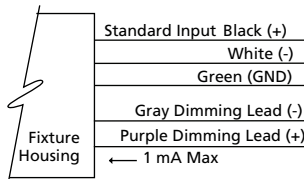
- Optical cartridge system consisting of a die cast heat sink, LED engine, TIR optics, gasket and bezel plate
- Optics are held in place without the use of adhesives
- Molded silicone gasket ensures a weather-proof seal around each individual LED
- Features individual LED optical control based on high performance TIR optical designs
- Back light control is available on Standard and Clear Lens options except any Type 5 distribution. Back light control is not available for any distribution using a Diffused Lens

INSTALLATION

- Fixtures must be grounded in accordance with national, state and/or local electrical codes. Failure to do so may result in serious personal injury

ELECTRICAL

- Luminaires have integral surge protection, UL recognized and have a surge current rating of 10,000 Amps using the industry standard 8/20uSec wave and surge rating of 372J
- Drivers are UL recognized with an inrush current maximum of <20.0 Amps maximum at 230VAC
- 100%-1% dimming range. Fixture will be wired for low voltage 0-10V dimming control



- Driver and surge suppressor are mounted to a prewired tray with quick disconnects that may be removed from the gear compartment

CONTROLS

- Egress adapter(s) shall slip over a 4"/100mm DIA. pole with the luminaire or arm slipping over the adapter to add a total of 4.5"/114mm to the overall height. Adapter(s) shall be prewired, independently rotatable 359°, and have a cast access cover with an integral lens and lanyard
- Photocell adapter shall include an internal twist lock receptacle. Photocell by others
- Egress adapter shall require an auxiliary 120 volt supply for operation of an integral MR16 lamp in the event of emergency. The lamp may be aimed and locked into position with an adjustment range of 15°-45°. Adapter shall have a socket that accepts miniature bi-pin MR16 lamps up to 50 watts, lamp by others

CERTIFICATIONS

- ETL listed under UL 1598 and CSA C22.2 No. 250.0-08 for wet locations
- This product qualifies as a "designated country construction material" per FAR 52.225-11 Buy American-Construction Materials under Trade Agreements effective 6/06/2020. [See Buy American Solutions](#)

WARRANTY

- 5 Year - Standard Limited Warranty. [Consult Factory.](#)
 10 Year Extended Warranty - Optional (at an additional cost)

KEY DATA	
LUMEN RANGE	1,821–9,336
WATTAGE RANGE	32-72
EFFICACY RANGE (LPW)	55-139
INPUT CURRENT RANGE (mA)	260/420/615 mA
WEIGHT	18 lbs/4.1 kg to 27 lbs/12.25 kg
EPA	.53 to 1.05
OPERATING TEMPERATURE	-40°C to 55°C
VIBRATION	3G with SLA7 arm
CCT (*Consult factory for availability)	580-590nm Monochromatic Amber, 2700K*, 3000K, 4000K, 5000K
CRI (*Consult factory for availability of 80 & 90 CRI)	70, 80*, & 90*
SURGE PROTECTION	10KV/5KA
FINISH	Minimum 2.0 mil thickness

ORDERING GUIDE

Example: UCM2-WND-LUM-BLU-FLR-36L-615-4K7-2-CL-BLS-WIRSC-SLA7(5)-UNV

CATALOG #

UCM2		LED Quantity	Lumen Output	CCT/CRI	Distribution	Optional Lens
Housing						
UCM2	Universe Medium 2.0	36L 36 LED	260 260mA, 32W, 1800–4300 Lumens 325 325mA, 40W, 2200–5300 Lumens 420 420mA, 50W, 2800–6700 Lumens 460 460mA, 55W, 3000–7200 Lumens 615 615mA, 72W, 3900–9300 Lumens	AMB ¹ Amber-595nm Peak 3K7 3000K, 70 CRI 4K7 4000K, 70 CRI 5K7 5000K, 70 CRI	1 Type I 2 Type II 3 Type III 4W Type IV Wide 5Q ³ Type V Square 5W ³ Type V Wide	CL Clear Lens DL ⁴ Diffused Lens
Optional Element						
LUM	Universe Medium with Luminous Rings			5-step MacAdam Ellipse Binning is standard		⁴ Diffused lens option only available with T3 & T5W as a standard option. Contact factory for availability with other distributions.
SR	Universe Medium with Luminous Solid Rings			Consult factory for 3-step MacAdam Ellipse Binning		
VSL	Universe Medium with Luminous Vertical Slots			Consult Factory regarding availability of the following options		
WND	Universe Medium with Optional Luminous Windows			27K8 ² 2700K, 80 CRI 27K9 ² 2700K, 90 CRI 3K8 ² 3000K, 80 CRI 3K9 ² 3000K, 90 CRI 35K8 ² 3500K, 80 CRI 35K9 ² 3500K, 90 CRI 4K8 ² 4000K, 80 CRI 4K9 ² 4000K, 90 CRI 5K8 ² 5000K, 80 CRI 5K9 ² 5000K, 90 CRI		
Optional Intenal Lens						
BLU	Blue					
RD	Red					
GRN	Green					
Hood Style						
ANG	Angled Hood					
BEL	Bell Hood					
FLR	Flared Hood					
SKB	Skirted Bell Hood					
STR	Straight Hood					

Optional Shield	Finish	Optional Controls	Optional Lens Cover	Optional Fuse
HS ³ House Side Shield ³ Back Light Control is only available with T1, T2, T3 & T4W.	BLS Black Gloss Smooth BLT Black Matte Textured DBS Dark Bronze Gloss Smooth DBT Dark Bronze Matte Textured GTT Graphite Matte Textured LGS Light Grey Gloss Smooth LGT Light Grey Matte Textured PSS Platinum Silver Gloss Smooth VGT Verde Green Matte Textured WHS White Gloss Smooth WHT White Matte Textured Color Option CC ⁵ Custom Color CLA ⁵ Clear Anodized Finish (Clear protective undercoat for added protection in coastal or other harsh environments.)	WIR wiSCAPE connectivity WIRSC wiSCAPE connectivity with Sensor SCP-8F Sensor Control to 8' Mounting Height SCP-20F Sensor Control 9' to 20' Mounting Height	SLC ⁶ Solid Lens Cover ⁶ SLC is a shield used to block the light from a luminous element.	SF Single Fuse (120V, 277V, 347V) DF Double Fuse (208V, 240V, 480V)

DATE: _____ LOCATION: _____
 TYPE: _____ PROJECT: _____
 CATALOG #: _____

ORDERING GUIDE

Example: UCM2-WND-LUM-BLU-FLR-36L-615-4K7-2-CL-BLS-WIRSC-SLA7(5)-UNV

CATALOG #

Mounting (UCM2/UCL2) - Select One				
Pole Mount		Wall Mount		Additional Mounting Options
STND_MNT*	Standard Mount	SLA18	SLA18-Single-4" Pole	Pendant Mount
TRA7	Tra7-Single-4" Pole	SLA18-2	SLA18-2-Twin-4" Pole	PMS PMS-Canopy-48" Stem
TRA7-2	Tra7-2-Twin-4" Pole	SLA20	SLA20-Single-4" Pole	Catenary Mount
TRA8	Tra8-Single-4" Pole	SLA20-2	SLA20-2-Twin-4" Pole	CM* CM-Catenary Mount
TRA8-2	Tra8-2-Twin-4" Pole	SLA20A	SLA20A-Single-4" Pole	Mast Arm Mount
TRA9	Tra9-Single-4" Pole	SLA20A-2	SLA20A-2-Twin-4" Pole	MAT* Mast Arm Mount
TRA9-2	Tra9-2-Twin-4" Pole	SLA20-B	SLA20B-Single-4" Pole	Controls Ready Arms
SLA2D	SLA8-Single-4" Pole	SLA20B-2	SLA20B-2-Twin-4" Pole	SLA4-PCR* SLA4-PCR-Single-4"Pole-7-Pin Twist Lock Receptacle
SLA3	SLA3-Single-4" Pole	SLA20C	SLA20C-Single-4" Pole	SLA4-2-PCR* SLA4-2-PCR-Twin-4"Pole-7-Pin Twist Lock Receptacle
SLA4	SLA4-Single-4" Pole	SLA20C-2	SLA20C-2-Twin-4" Pole	SLA17-PCR* SLA17-PCR-Single-4"Pole-7-Pin Twist Lock Receptacle
SLA4-2	SLA4-2-Twin-4" Pole	SLA20D	SLA20D-Single-4" Pole	SLA17-2-PCR* SLA17-2-PCR-Twin-4"Pole-7-Pin Twist Lock Receptacle
SLA7	SLA7-Single-4" Pole	SLA20D-2	SLA20D-2-Twin-4" Pole	SLA17(5)-PCR* SLA17(5)-PCR-Single-5"Pole-7-Pin Twist Lock Receptacle
SLA7-2	SLA7-2-Twin-4" Pole	SLA22D-4	SLA22D-4-Single-4" Pole	SLA17(5)-2-PCR* SLA17(5)-2-PCR-Twin-5"Pole-7-Pin Twist Lock Receptacle
SLA7(5)	SLA7(5)-Single-5" Pole	SLA22D-5	SLA22D-5-Single-5" Pole	TRA60-PCR* TRA60-PCR-Single-5"Pole-7-Pin Twist Lock Receptacle
SLA7(5)-2	SLA7(5)-2-Twin-5" Pole	SLA24	SLA24-Single-4" Pole	MAT-PCR* MAT-PCR-Single-slips over a 2-3/8" Horizontal Tenon
SLA8D-4	SLA8D-4-Single-4" Pole	SLA24-2	SLA24-2-Twin-4" Pole	* Consult Factory for additional details and availability.
SLA8D-5	SLA8D-5-Twin-5" Pole	SLA24(5)	SLA24(5)-Single-5" Pole	
SLA9	SLA9-Single-4" Pole	SLA24(5)-2	SLA24(5)-2-Twin-5" Pole	
SLA9-2	SLA9-2-Twin-4" Pole			
SLA10	SLA10-Single-4" Pole			
SLA10-2	SLA10-2-Twin-4" Pole			
SLA16	SLA16-Single-4" Pole			
SLA16-2	SLA16-2-Twin-4" Pole			
SLA17	SLA17-Single-4" Pole			
SLA17-2	SLA17-2-Twin-4" Pole			
SLA17(5)	SLA17(5)-Single-5" Pole			
SLA17(5)-2	SLA17(5)-2-Twin-5" Pole			

* STND_MNT is for fixtures that will be mounted to existing arms

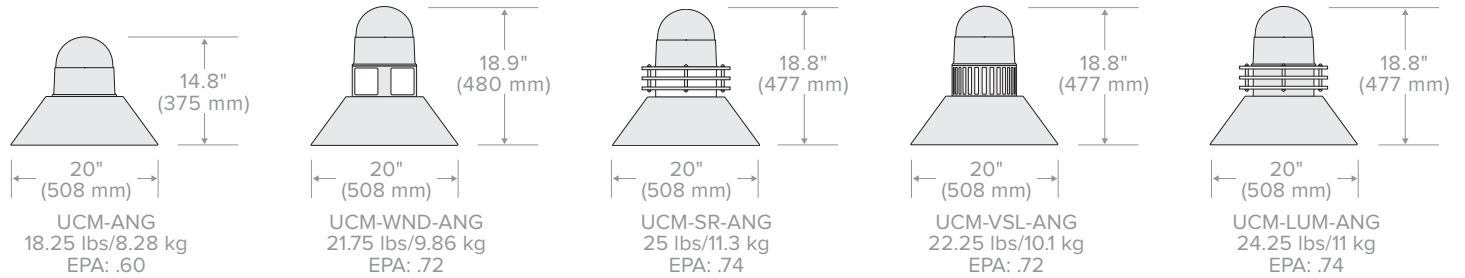
Optional Photocontrol/Egress	Optional Adaptor	Voltage
PCA-C Photocontrol Adaptor - Contemporary	AD5 Adaptor - 5" O.D. Pole	UNV 120V-277V
EPA-C Egress Adaptor - Contemporary		347V 347V
		480V 480V

Notes:

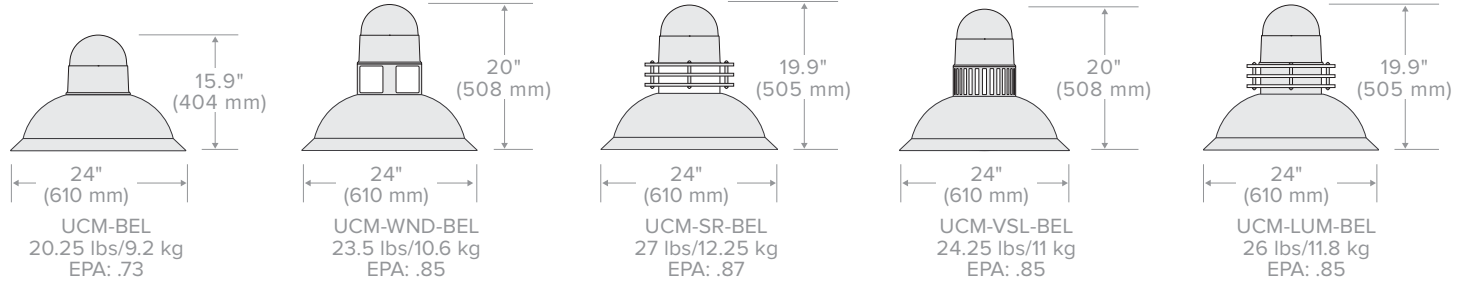
- ¹ Wild life friendly.
- ² Additional charges and lead time will apply.
- ³ Back light control is available only with T1, T2, T3 and T4W distributions.
- ⁴ Diffused Lens is only available with Type 3 and T5W distributions as a standard offering.
Consult factory for availability with other distributions and information on how it will affect the performance of the luminaire.
- ⁵ Consult factory for custom color, marine and corrosive resistant finish options.
- ⁶ SLC is a shield used to block light from the luminous element.

DIMENSIONS

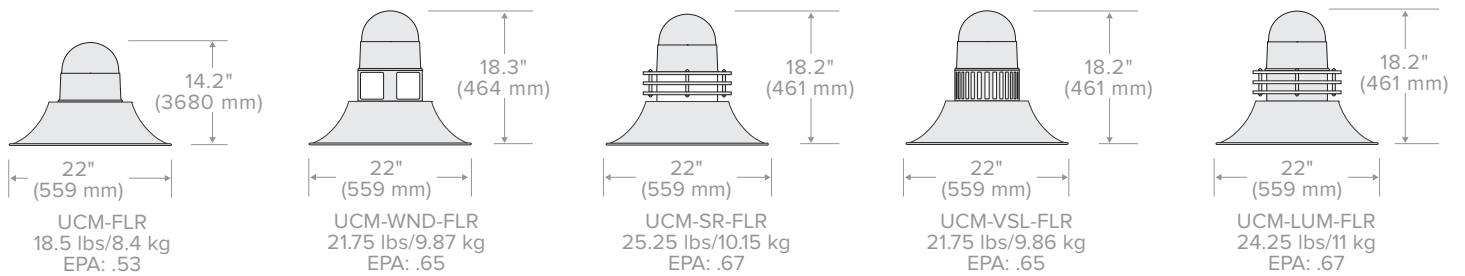
ANGLED HOOD CONFIGURATION



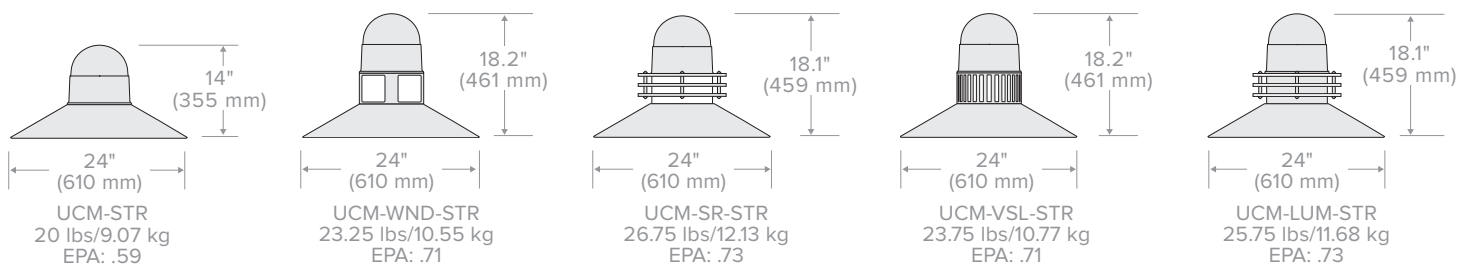
BELL HOOD CONFIGURATION



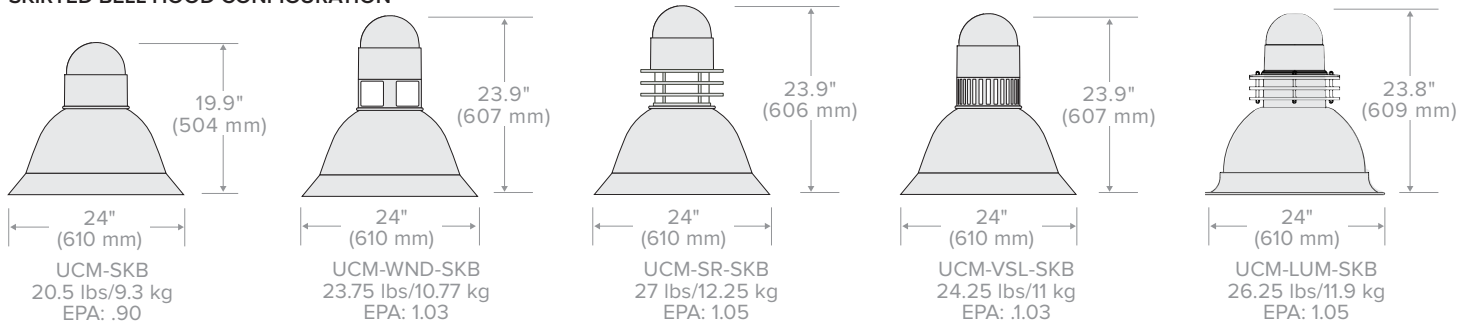
FLARE HOOD CONFIGURATION



STRAIGHT HOOD CONFIGURATION



SKIRTED BELL HOOD CONFIGURATION



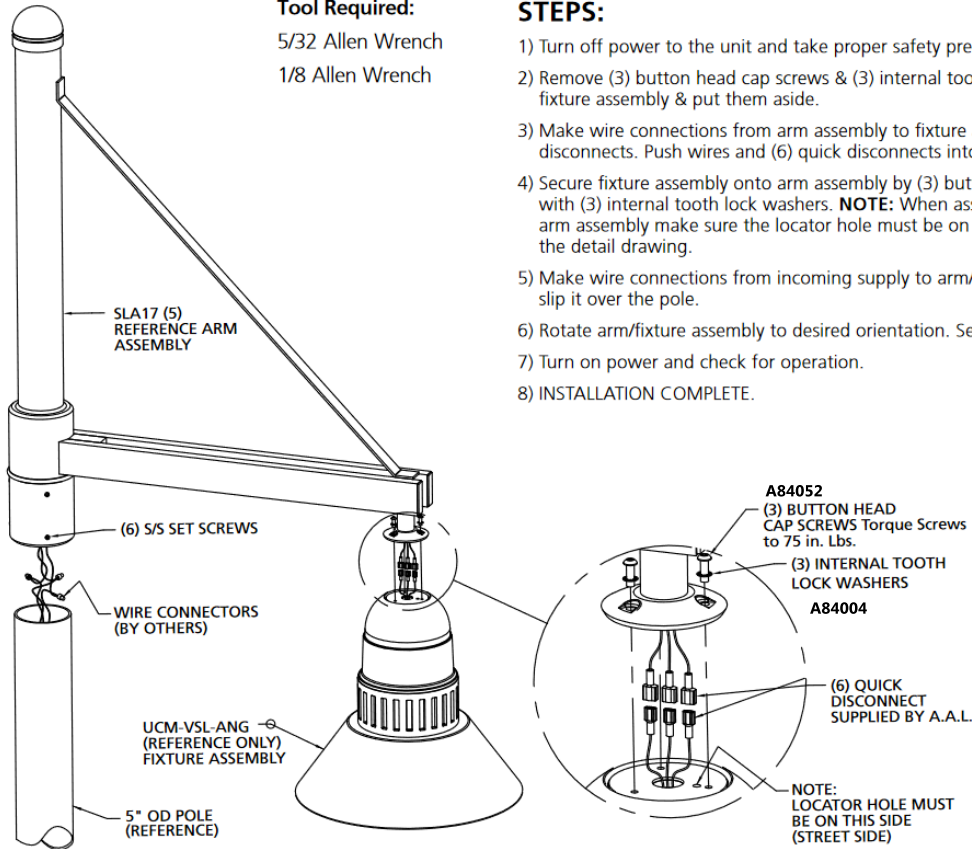
MOUNTING OPTIONS

Tool Required:

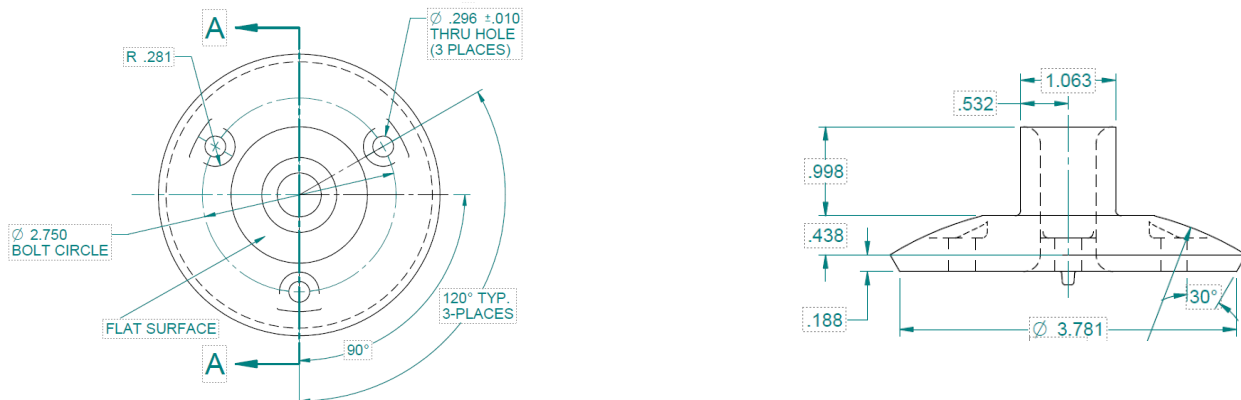
- 5/32 Allen Wrench
- 1/8 Allen Wrench

STEPS:

- 1) Turn off power to the unit and take proper safety precautions.
- 2) Remove (3) button head cap screws & (3) internal tooth lock washers from the fixture assembly & put them aside.
- 3) Make wire connections from arm assembly to fixture assembly with (6) quick disconnects. Push wires and (6) quick disconnects into the top dome.
- 4) Secure fixture assembly onto arm assembly by (3) button head cap screws with (3) internal tooth lock washers. **NOTE:** When assembling fixture assembly to arm assembly make sure the locator hole must be on the street side as shown on the detail drawing.
- 5) Make wire connections from incoming supply to arm/fixture assembly and slip it over the pole.
- 6) Rotate arm/fixture assembly to desired orientation. Securely tighten (6) s/s set screws.
- 7) Turn on power and check for operation.
- 8) INSTALLATION COMPLETE.



UCM2 CAST ARM FITTER (WELDED TO UCM2 ARMS)



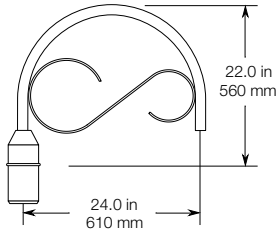
MOUNTING OPTIONS

STND_MNT - STANDARD MOUNT (FOR EXISTING ARMS ONLY)

POLE MOUNTING OPTIONS

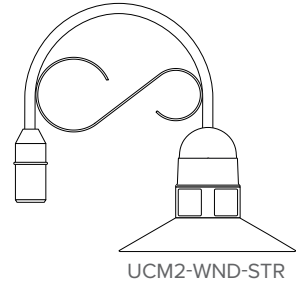
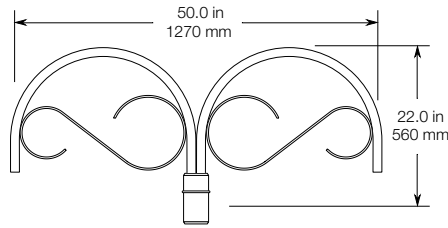
SLIPS OVER 4" POLE

TRA7 WT: 12 LBS EPA: .90



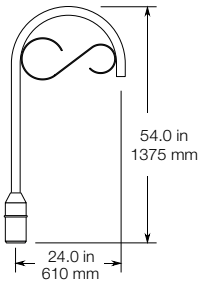
SLIPS OVER 4" POLE

TRA7-2 WT: 18 LBS EPA: 1.62



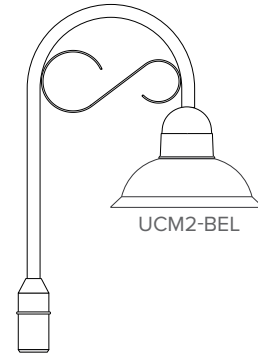
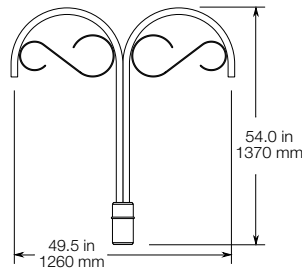
SLIPS OVER 4" POLE

TRA8 WT: 13 LBS EPA: 1.34



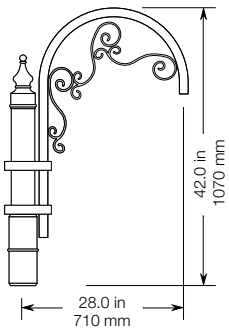
SLIPS OVER 4" POLE

TRA8-2 WT: 21 LBS EPA: 2.68



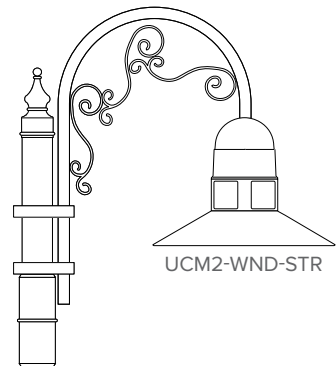
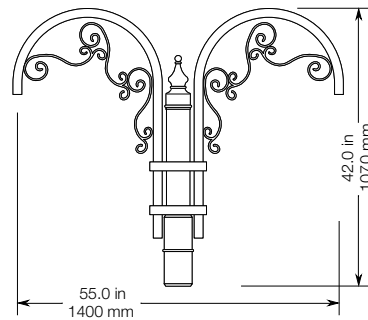
SLIPS OVER 4" POLE

TRA9 WT: 17 LBS EPA: 1.90



SLIPS OVER 4" POLE

TRA9-2 WT: 25 LBS EPA: 2.72

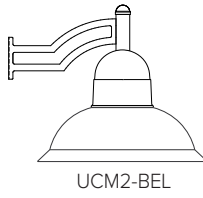
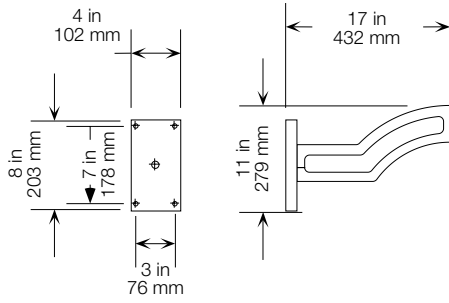


MOUNTING OPTIONS

POLE MOUNTING OPTIONS

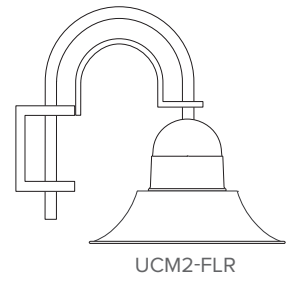
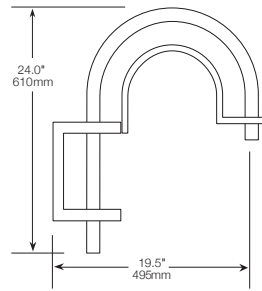
BOLTS TO 4" POLE

SLA2D WT: 6 LBS EPA: 0.30



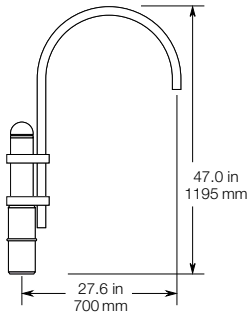
BOLTS TO 4" POLE

SLA3 WT: 8 LBS EPA: .77



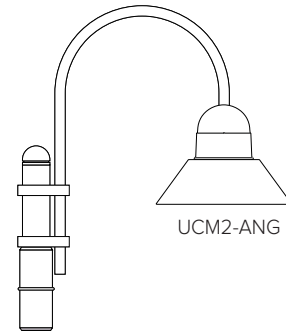
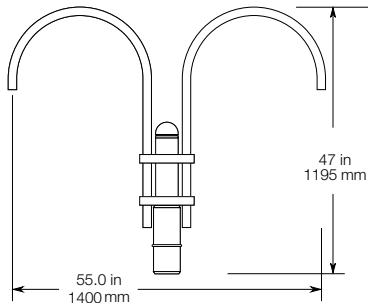
SLIPS OVER TO 4" POLE

SLA4 WT: 14 LBS EPA: 1.39



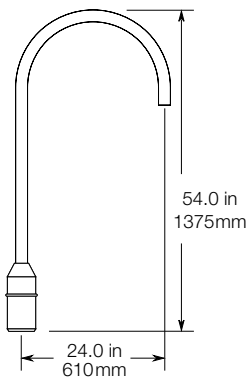
SLIPS OVER TO 4" POLE

SLA4-2 WT: 26 LBS EPA: 2.10



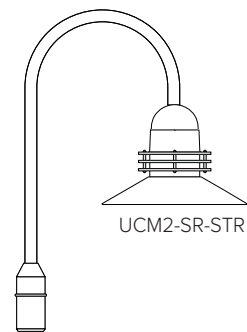
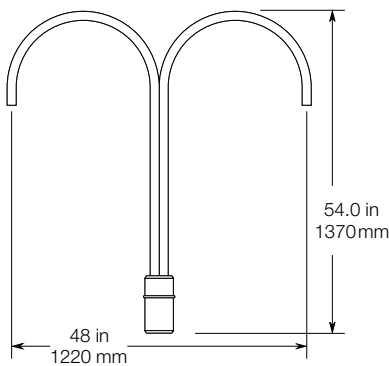
SLIPS OVER TO 4" POLE

SLA7 WT: 9 LBSE PA: 1.34



SLIPS OVER TO 4" POLE

SLA7-2 WT: 16 LBS EPA: 2.34

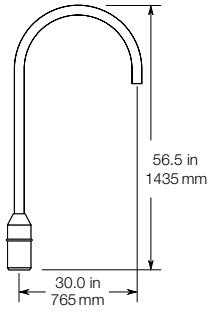


MOUNTING OPTIONS

POLE MOUNTING OPTIONS

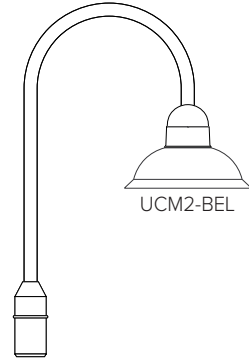
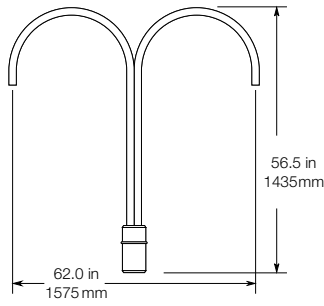
SLIPS OVER A 5" POLE

SLA7(5) WT: 11 LBS EPA: 1.73



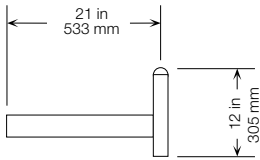
SLIPS OVER A 5" POLE

SLA7(5)-2 WT: 18 LBS EPA: 2.60



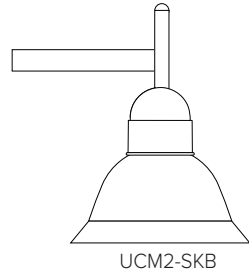
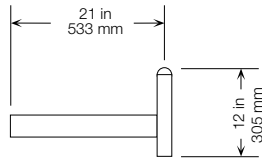
BOLTS TO 4" POLE

SLA8D-4 WT: 5 LBS EPA: 0.40



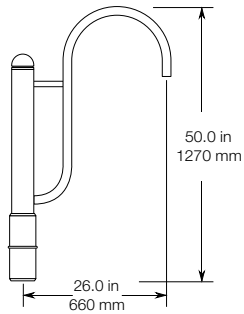
BOLTS TO 5" POLE

SLA8D-5 WT: 5 LBS EPA: 0.40



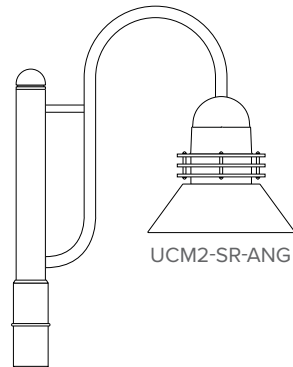
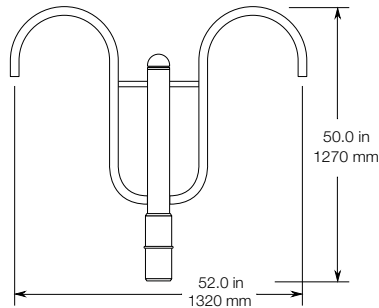
SLIPS OVER 4" POLE

SLA9 WT: 18 LBS EPA: 1.90



SLIPS OVER 4" POLE

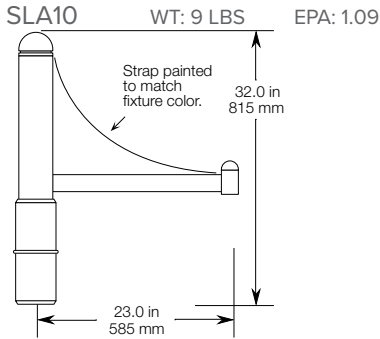
SLA9-2 WT: 24 LBS EPA: 2.44



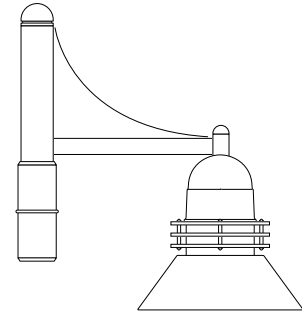
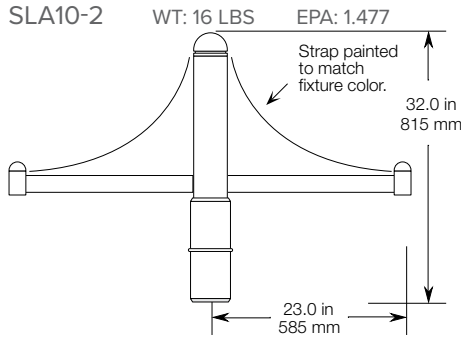
MOUNTING OPTIONS

POLE MOUNTING OPTIONS

SLIPS OVER 4" POLE

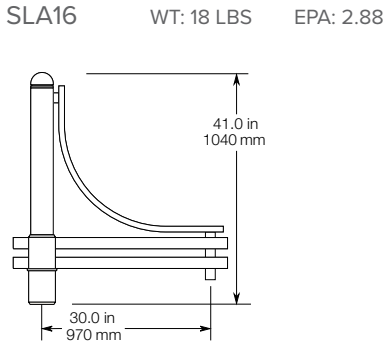


SLIPS OVER 4" POLE

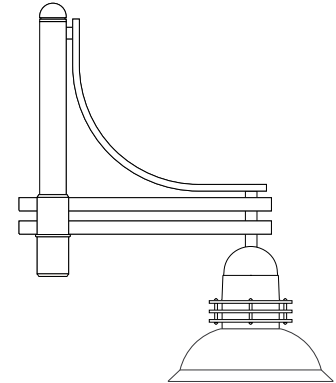
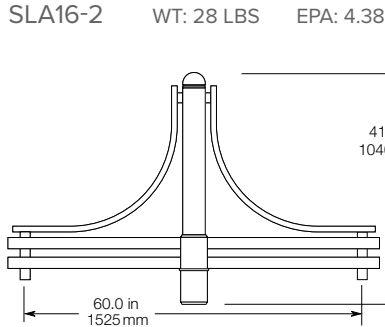


UCM2-LUM-ANG

SLIPS OVER 4" POLE

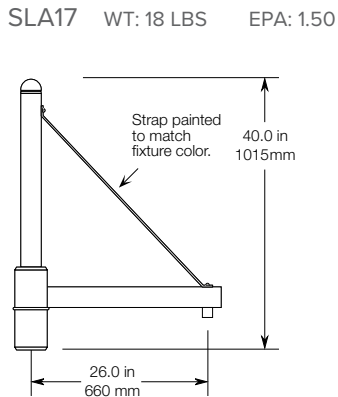


SLIPS OVER 4" POLE

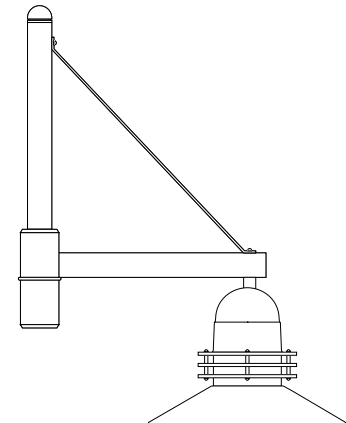
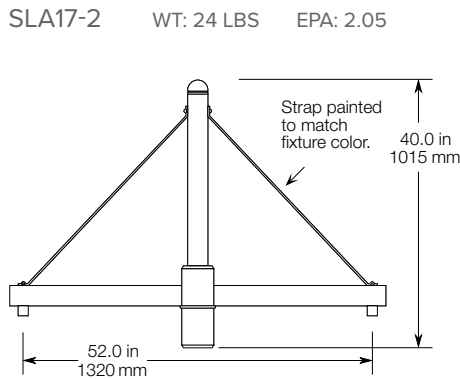


UCM2-SR-BEL

SLIPS OVER 4" POLE



SLIPS OVER 4" POLE



UCM2-SR-STR

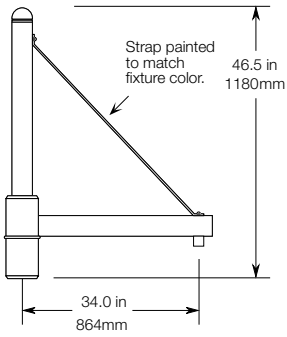
MOUNTING OPTIONS

POLE MOUNTING OPTIONS

DATE: _____ LOCATION: _____
 TYPE: _____ PROJECT: _____
 CATALOG #: _____

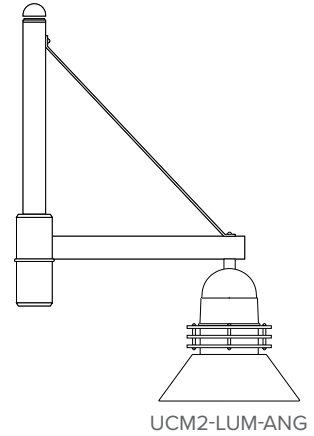
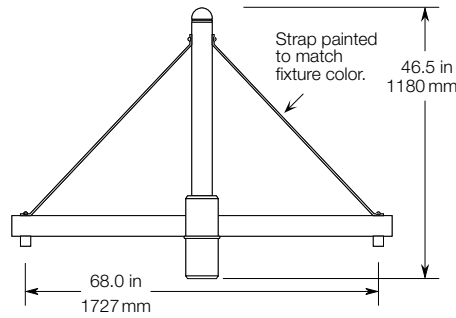
SLIPS OVER 5" POLE

SLA17(5) WT: 24 LBS EPA: 2.20



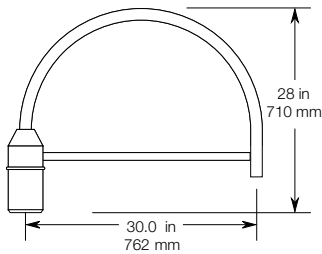
SLIPS OVER 5" POLE

SLA17(5)-2 WT: 33 LBS EPA: 2.75



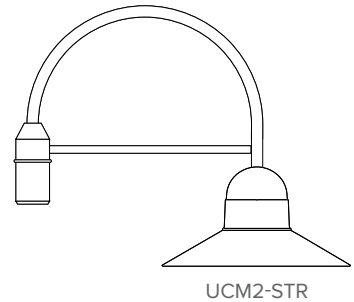
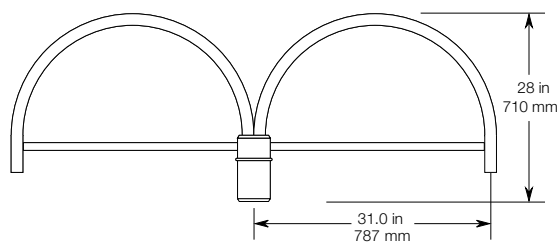
SLIPS OVER 4" POLE

SLA18 WT: 12 LBS EPA: 0.85



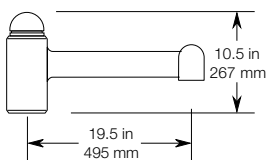
SLIPS OVER 4" POLE

SLA18-2 WT: 22 LBS EPA: 1.59



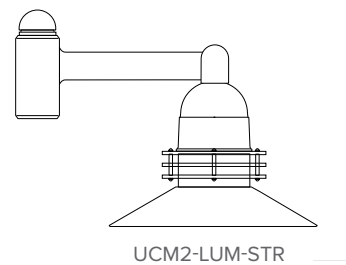
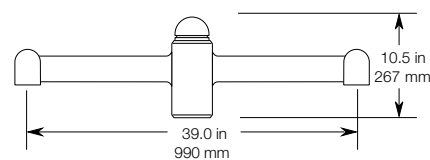
SLIPS OVER 4" POLE

SLA20 WT: 10 LBS EPA: 0.70



SLIPS OVER 4" POLE

SLA20-2 WT: 18 LBS EPA: 1.25

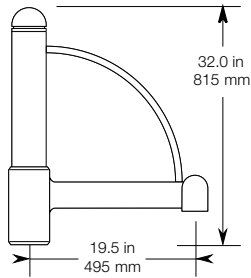


MOUNTING OPTIONS

POLE MOUNTING OPTIONS

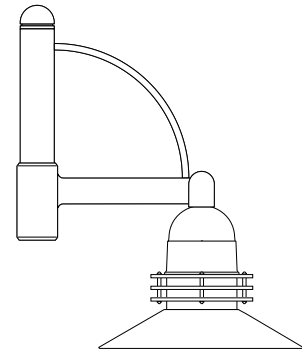
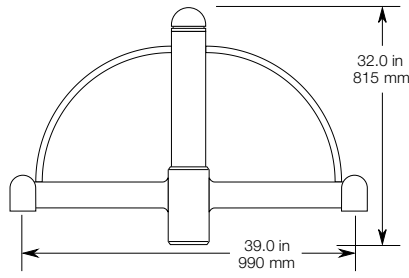
SLIPS OVER 4" POLE

SLA20AWT: 15 LBS EPA: 1.30



SLIPS OVER 4" POLE

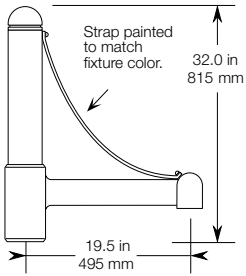
SLA20A-2 WT: 26 LBS EPA: 1.94



UCM2-LUM-STR

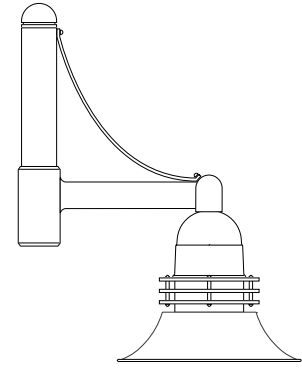
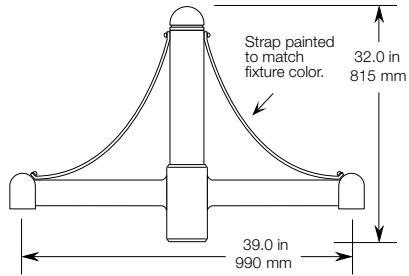
SLIPS OVER 4" POLE

SLA20B WT: 14 LBS EPA: 1.40



SLIPS OVER 4" POLE

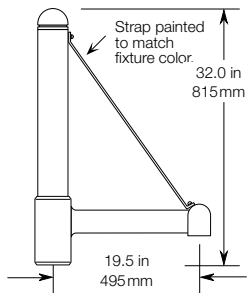
SLA20B-2 WT: 24 LBS EPA: 1.70



UCM2-LUM-FLR

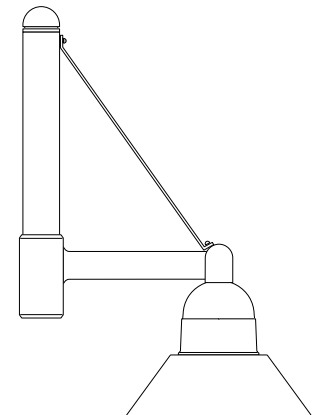
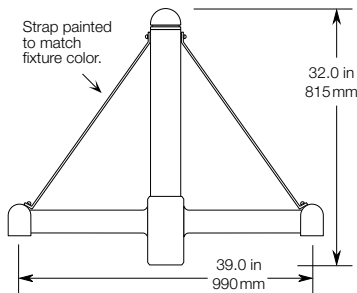
SLIPS OVER 4" POLE

SLA20C WT: 15 LBS EPA: 1.39



SLIPS OVER 4" POLE

SLA20C-2 WT: 26 LBS EPA: 1.91



UCM2-ANG

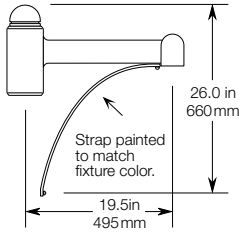
MOUNTING OPTIONS

POLE MOUNTING OPTIONS

DATE: _____ LOCATION: _____
 TYPE: _____ PROJECT: _____
 CATALOG #: _____

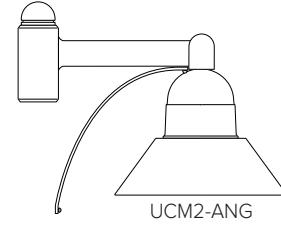
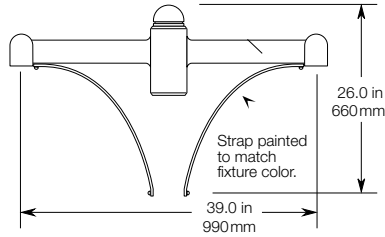
SLIPS OVER 4" POLE

SLA20D WT: 12 LBS EPA: 0.75



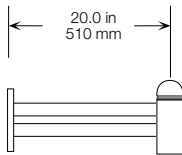
SLIPS OVER 4" POLE

SLA20D-2 WT: 21 LBS EPA: 1.18



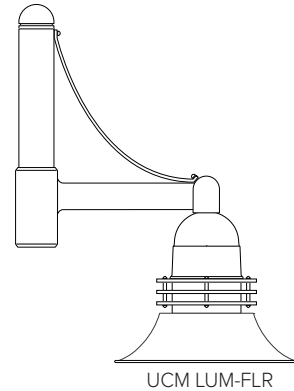
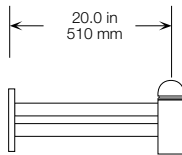
SLIPS OVER 4" POLE

SLA22D-4 WT: 4 LBS EPA: 0.44



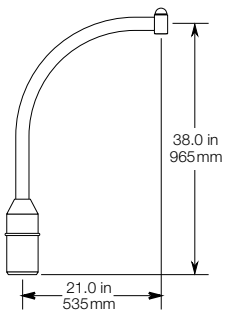
SLIPS OVER 5" POLE

SLA22D-5 WT: 4 LBS EPA: 0.44



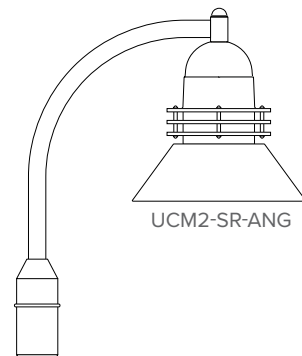
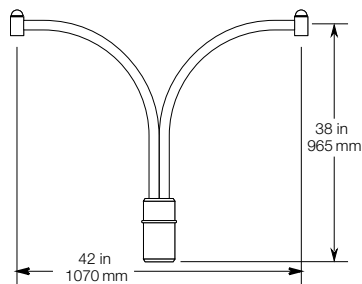
SLIPS OVER 4" POLE

SLA24 WT: 9 LBS EPA: 0.85



SLIPS OVER 4" POLE

SLA24-2 WT: 14 LBS EPA: 1.59

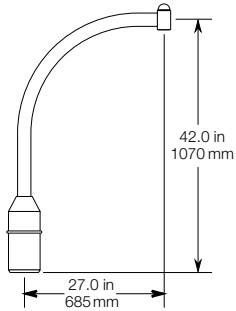


MOUNTING OPTIONS

POLE MOUNTING OPTIONS

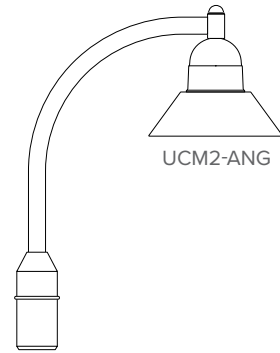
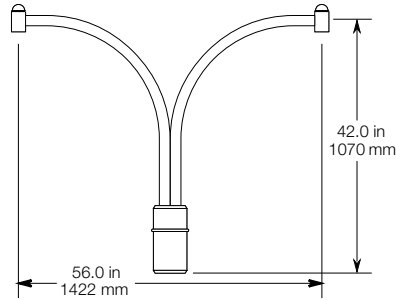
SLIPS OVER 5" POLE

SLA24(5) WT: 11 LBS EPA: 0.97



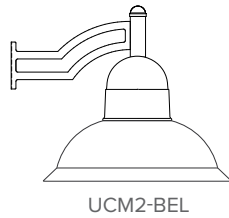
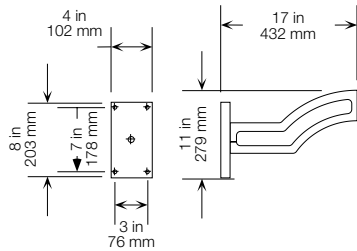
SLIPS OVER 5" POLE

SLA24(5)-2 WT: 16 LBS EPA: 1.81

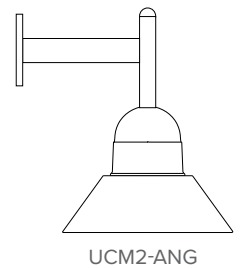
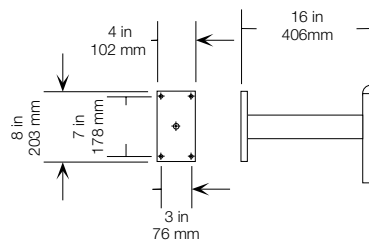


WALL MOUNTING OPTIONS

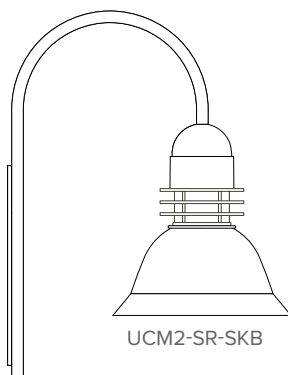
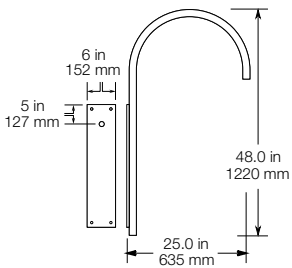
WMA5 WT: 6 LBS



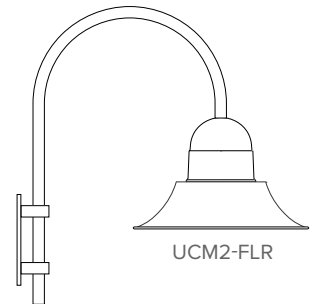
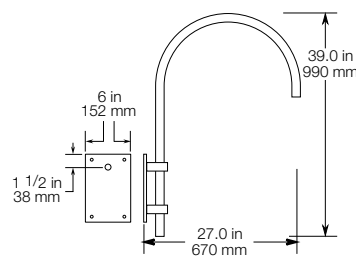
WMA9D WT: 6 LBS



WMA11 WT: 10 LBS



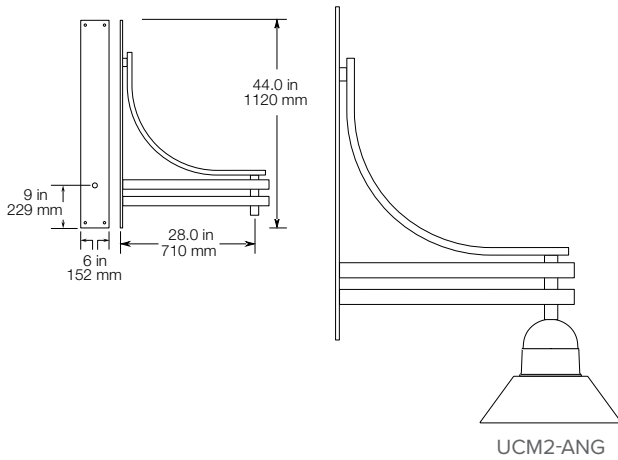
WMA12 WT: 12 LBS



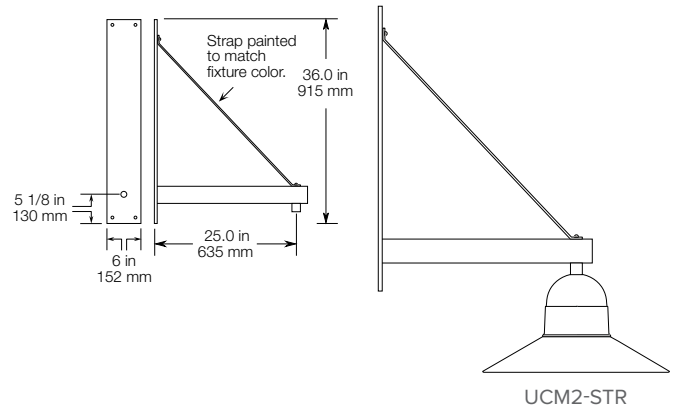
MOUNTING OPTIONS

POLE MOUNTING OPTIONS

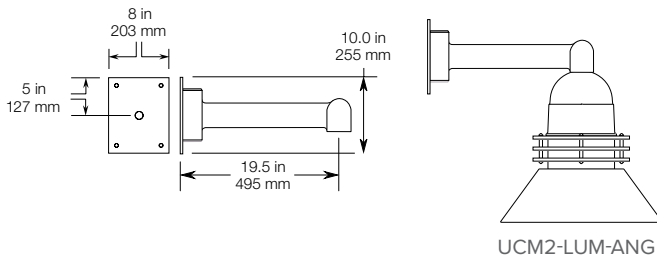
WMA16 WT: 22 LBS



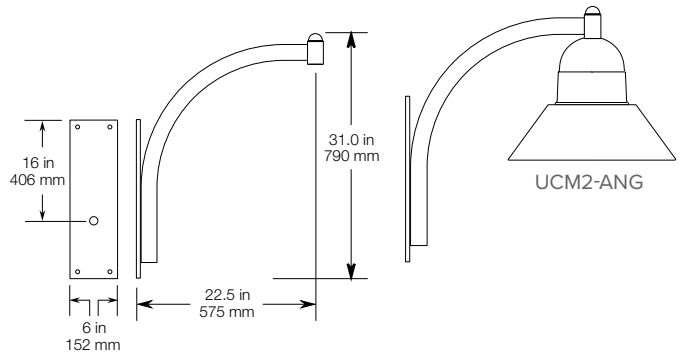
WMA17 WT: 15 LBS



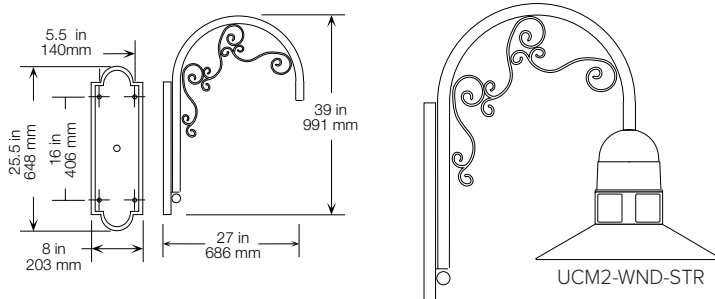
WMA20 WT: 12 LBS



WMA24 WT: 12 LBS



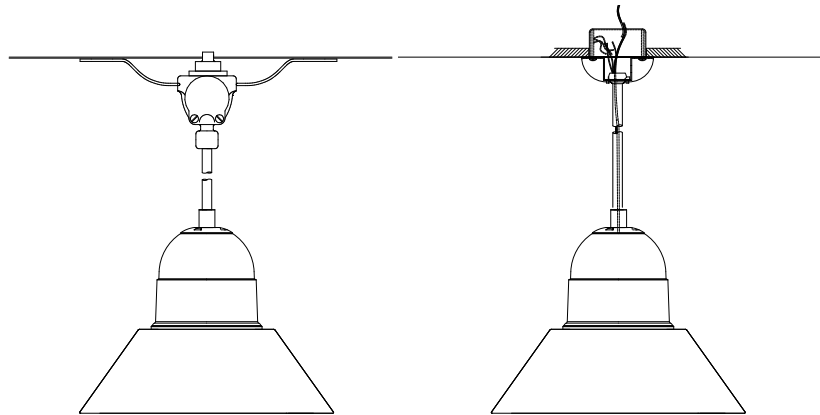
WMA39 WT: 14 LBS



MOUNTING OPTIONS

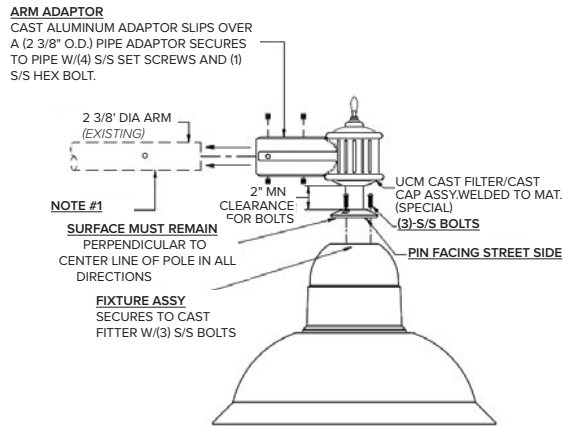
POLE MOUNTING OPTIONS

DATE: _____ LOCATION: _____
 TYPE: _____ PROJECT: _____
 CATALOG #: _____



CM* - Catenary Mount

PMS* - Pendant Mount



MAT * - Mast Arm Mount, Slips over 2-3/8" Horizontal Tenon

*Contact factory for more information

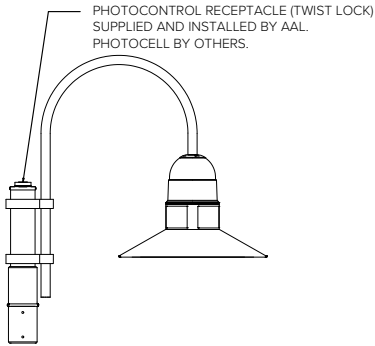
MOUNTING OPTIONS

POLE MOUNTING OPTIONS

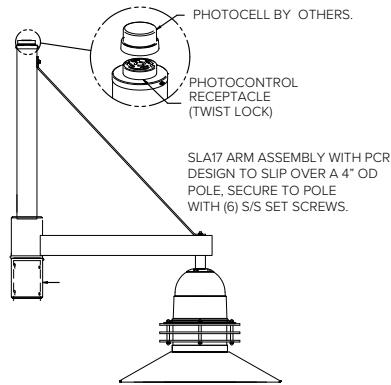
CONTROL READY ARMS - ARMS WITH AN INTEGRATED 7-PIN RECEPTACLE (Contact factory for more information)

Can be used with 7-pin twist-lock photocell modules or 7-pin controls modules like Hubbell Controls Solutions NXFM Series

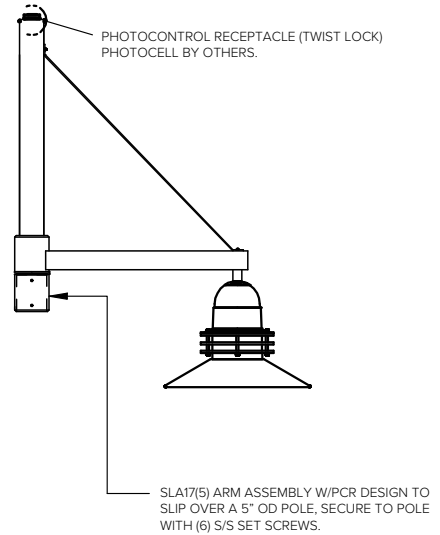
SLA4-PCR* & SLA4-2-PCR*



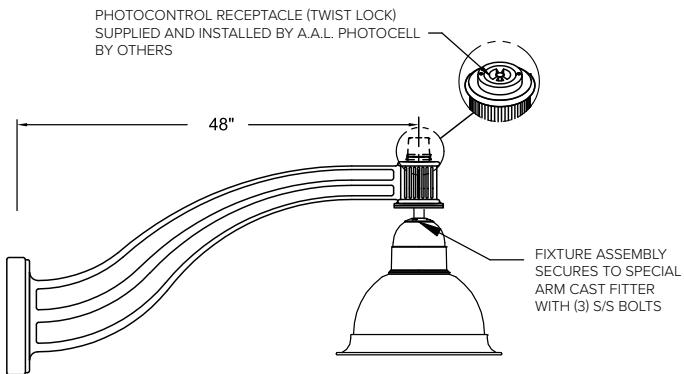
SLA17-PCR* & SLA17-2-PCR*



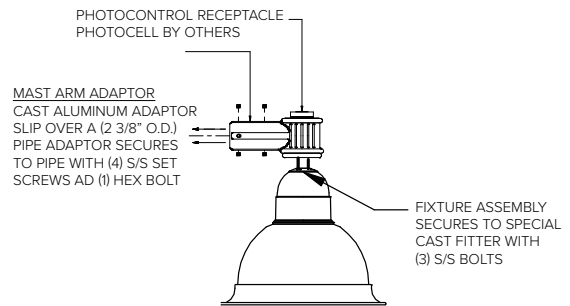
SLA17(5)-PCR* & SLA17(5)-2-PCR*



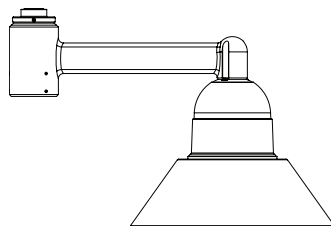
TRA60-PCR*



MAT-PCR*



SLA20-PCR and SLA20-2-PCR



* Contact Factory for ordering details and additional information regarding the availability of Controls Ready Arms

DATE: _____ LOCATION: _____
 TYPE: _____ PROJECT: _____
 CATALOG #: _____

CONTROLS



NXFM SERIES – ON FIXTURE MODULE

PRODUCT FEATURES

- Designed for installation on the exterior of the luminaire or Controls Ready Arm
- NEMA standard male 7-pin twist lock connection
- Integral single pole relay for On/Off Control
- Continuous dimming 0-10V control
- Wireless programming via NX Area Controller or NX Room Setup App for iOS or Android
- Auxiliary input for external control
- UL and cUL listed
- Five year warranty
- Built-in daylight sensor
- Scheduling with built-in Astro Time Clock

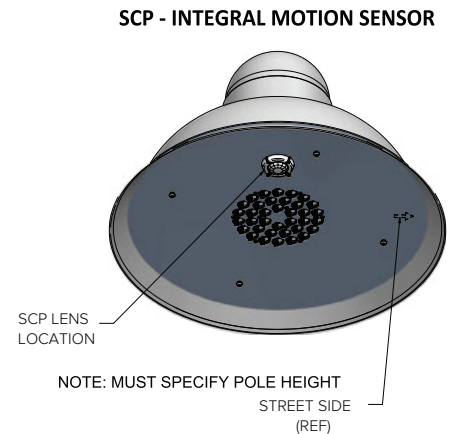
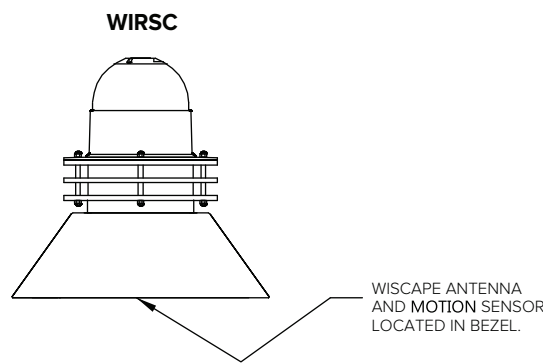
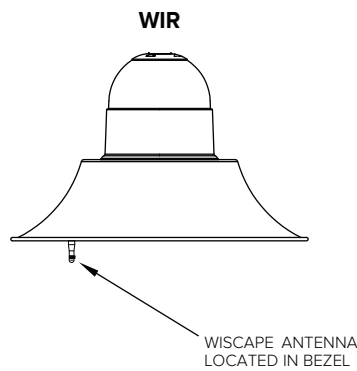


wiSCAPE™

Supports remote management, monitoring and metering of outdoor wireless lighting applications such as smart campuses, smart cities, parking lots, parking lots and roadways.



wiSCAPE REFERENCE									
wiSCAPE Option	Sensor	Networkable	Scheduling	Occupancy	Daylight Harvesting	0-10V Dimming	On/Off Control	Bluetooth App Programming	Commissioning
NETWORKED – WIRELESS									
WIR	WIR-RMI-IO	Yes	Yes	No	Yes	Yes	Yes	wiSCAPE Gateway	On-site
WIRSC	WIR-RMI-IO with Motion Sensor	Yes	Yes	Yes	Yes	Yes	Yes	wiSCAPE Gateway	On-site



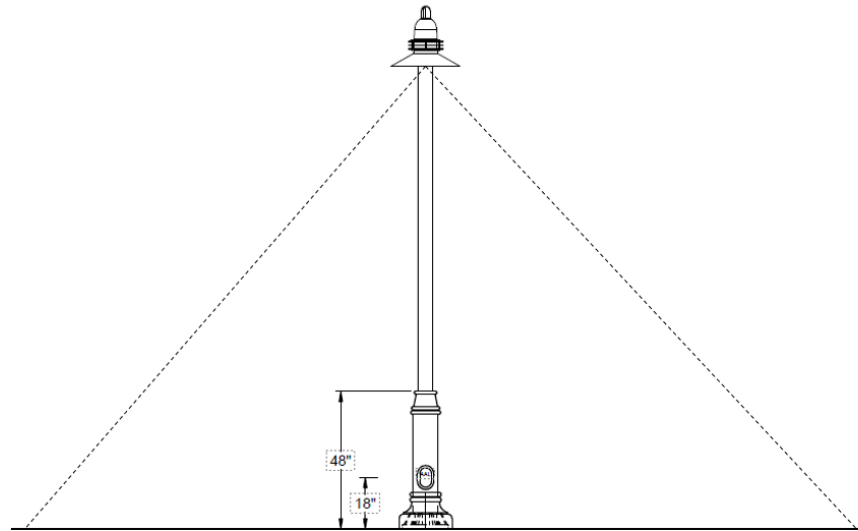
UCM2 FIXTURE ISOMETRIC VIEW BOTTOM FRONT (SCP DETAIL)

CONTROLS



SENSOR DETECTION RANGE

- Coverage area is 2 1/2 times sensor mounting height.
- California Title 24 section 130.2 does not specify a coverage area. AAL recommends discretion per your application requirements



		SENSOR MOUNTING HEIGHT							RATIO
		8'	10'	12'	14'	16'	18'	20'	
COVERAGE DIAMETER	SCP	20'	25'	30'	35'	40'	45'	50'	1:2.5
	WIRSC	16'	20'	24'	28'	32'	36'	40'	1:2

DELIVERED LUMENS

The table below shows the delivered lumens for the various lumen outputs and beam distributions. Use this chart in connection with the lumen factor (LF) capability to deliver any output required.

LED #	Drive Current	Lumen Package	Lens	Distribution	3000K 70CRI				4000K 70CRI				5000K 70CRI						
					Lumen	Bug Rating			Efficacy (Lm/W)	Lumen	Bug Rating			Efficacy (Lm/W)	Lumen	Bug Rating			Efficacy (Lm/W)
36	260	4000	None	1	4100	1	0	1	130.1	4176	1	0	1	132.5	4354	1	0	1	138.5
				2	3788	1	0	1	120.2	3859	1	0	1	122.4	4023	1	0	1	127.9
				3	3708	1	0	1	114.6	3777	1	0	1	117.7	3938	1	0	1	125.4
				4W	3749	1	0	2	119.0	3819	1	0	2	121.2	3982	1	0	2	127.1
				1-HS	2316	0	0	0	73.5	2359	0	0	0	74.9	2460	0	0	0	78.4
				2-HS	2023	0	0	1	64.2	2061	0	0	1	65.4	2149	0	0	1	68.6
				3-HS	1981	0	0	1	62.9	2018	0	0	1	64.0	2104	0	0	1	67.0
				4W-HS	2044	0	0	1	64.9	2082	0	0	1	66.1	2171	0	0	1	69.2
				5Q	3936	2	0	1	124.9	4009	2	0	1	127.2	4180	2	0	1	133.4
				5W	3822	3	0	1	121.3	3893	3	0	1	123.5	4059	3	0	1	129.6
			Clear	1-CL	3769	0	0	1	119.6	3839	0	0	1	121.8	4002	1	0	1	127.0
				2-CL	3482	1	0	1	110.5	3547	1	0	1	112.5	3698	1	0	1	117.3
				3-CL	3409	1	0	1	108.1	3472	1	0	1	110.2	3620	1	0	1	115.5
				4W-CL	3447	1	0	2	109.3	3511	1	0	2	111.4	3660	1	0	2	116.1
				1-CL-HS	2129	0	0	0	67.6	2169	0	0	0	68.8	2261	0	0	0	71.7
				2-CL-HS	1860	0	0	1	59.0	1895	0	0	1	60.1	1975	0	0	1	62.7
				3-CL-HS	1821	0	0	1	57.8	1855	0	0	1	58.9	1934	0	0	1	61.4
				4W-CL-HS	1879	0	0	1	59.6	1914	0	0	0	60.7	1996	0	0	1	63.3
			Diffused	5Q-CL	3618	2	0	1	114.8	3685	2	0	1	116.9	3842	2	0	1	121.9
				5W-CL	3513	2	0	1	111.5	3579	2	0	1	113.5	3731	2	0	1	118.4
	3-DL	2943	1	0	1	93.4	2998	1	0	1	95.1	3126	1	0	1	99.3			
	5W-DL	3020	1	0	1	95.8	3076	1	0	1	97.6	3207	1	0	1	101.9			

DELIVERED LUMENS CONTINUED

The table below shows the delivered lumens for the various lumen outputs and beam distributions. Use this chart in connection with the lumen factor (LF) capability to deliver any output required.

LED #	Drive Current	Lumen Package	Lens	Distribution	3000K 70CRI				4000K 70CRI				5000K 70CRI							
					Lumen	Bug Rating			Efficacy (Lm/W)	Lumen	Bug Rating			Efficacy (Lm/W)	Lumen	Bug Rating			Efficacy (Lm/W)	
36	325	450mA Microcore Equivalent	None	1	4999	1	0	1	125.0	5092	1	0	1	127.3	5309	1	0	1	132.7	
				2	4619	1	0	1	115.5	4705	1	0	1	117.6	4906	1	0	1	122.6	
				3	4522	1	0	2	113.0	4606	1	0	2	115.1	4802	1	0	2	120.1	
				4W	4572	1	0	2	114.3	4657	1	0	2	116.4	4856	1	0	2	121.4	
				1-HS	2825	0	0	0	70.6	2877	0	0	0	71.9	3000	0	0	0	75.0	
				2-HS	2467	0	0	1	61.7	2513	0	0	1	62.8	2620	0	0	1	65.5	
				3-HS	2416	0	0	1	60.4	2461	0	0	1	61.5	2566	0	0	1	64.1	
				4W-HS	2493	0	0	1	62.3	2539	0	0	1	63.5	2647	0	0	1	66.2	
				5Q	4799	2	0	1	120.0	4889	2	0	1	122.2	5097	2	0	1	127.4	
			5W	4660	3	0	1	116.5	4747	3	0	1	118.7	4950	3	0	1	123.7		
			Clear	1-CL	4595	1	0	1	114.9	4681	1	0	1	117.0	4881	1	0	1	122.0	
				2-CL	4246	1	0	1	106.2	4325	1	0	1	108.1	4510	1	0	1	112.7	
				3-CL	4156	1	0	1	103.9	4234	1	0	1	105.8	4414	1	0	1	110.4	
				4W-CL	4203	1	0	2	105.1	4281	1	0	2	107.0	4464	1	0	2	111.6	
				1-CL-HS	2596	0	0	0	64.9	2645	0	0	0	66.1	2757	0	0	0	68.9	
				2-CL-HS	2268	0	0	1	56.7	2310	0	0	1	57.8	2409	0	0	1	60.2	
				3-CL-HS	2221	0	0	1	55.5	2262	0	0	1	56.6	2358	0	0	1	59.0	
				4W-CL-HS	2291	0	0	1	57.3	2334	0	0	1	58.4	2434	0	0	1	60.8	
	5Q-CL	4412		2	0	1	110.3	4494	2	0	1	112.3	4685	2	0	1	117.1			
	5W-CL	4284	3	0	1	107.1	4364	3	0	1	109.1	4550	3	0	1	113.7				
	Diffused	3-DL	3581	1	0	1	89.5	3647	1	0	1	91.2	3803	1	0	1	95.1			
		5W-DL	3691	1	0	1	92.3	3760	1	0	1	94.0	3920	2	0	1	98.0			
	420	6000		None	1	6298	1	0	1	126.4	6416	1	0	1	128.8	6689	1	0	1	134.3
					2	5820	1	0	1	116.8	5928	1	0	1	119.0	6181	1	0	1	124.1
					3	5697	1	0	2	114.3	5803	1	0	2	116.5	6050	1	0	2	121.4
					4W	5760	1	0	3	115.6	5867	1	0	3	117.8	6118	1	0	3	122.8
					1-HS	3559	0	0	0	71.4	3625	0	0	0	72.8	3779	0	0	0	75.9
					2-HS	3109	0	0	1	62.4	3167	0	0	1	63.6	3302	0	0	1	66.3
					3-HS	3044	0	0	1	61.1	3100	0	0	1	62.2	3232	0	0	1	64.9
					4W-HS	3141	0	0	1	63.0	3199	0	0	1	64.2	3335	0	0	1	66.9
					5Q	6047	2	0	1	121.4	6159	2	0	1	123.6	6422	3	0	1	128.9
				5W	5872	3	0	1	117.9	5981	3	0	1	120.1	6236	3	0	1	125.2	
				Clear	1-CL	5790	1	0	1	116.2	5898	1	0	1	118.4	6149	1	0	1	123.4
					2-CL	5350	1	0	1	107.4	5449	1	0	1	109.4	5681	1	0	1	114.0
					3-CL	5237	1	0	2	105.1	5334	1	0	2	107.1	5561	1	0	2	111.6
					4W-CL	5295	1	0	3	106.3	5394	1	0	3	108.3	5624	1	0	3	112.9
1-CL-HS					3271	0	0	0	65.7	3332	0	0	0	66.9	3474	0	0	0	69.7	
2-CL-HS					2858	0	0	1	57.4	2911	0	0	1	58.4	3035	0	0	1	60.9	
3-CL-HS					2798	0	0	1	56.2	2850	0	0	1	57.2	2971	0	0	1	59.6	
4W-CL-HS					2887	0	0	1	57.9	2941	0	0	1	59.0	3066	0	0	1	61.5	
5Q-CL	5558	2	0		1	111.6	5662	2	0	1	113.6	5903	2	0	1	118.5				
5W-CL	5398	3	0	1	108.3	5498	3	0	1	110.4	5732	3	0	1	115.1					
Diffused	3-DL	4511	1	0	1	90.6	4595	1	0	1	92.3	4791	1	0	1	96.2				
	5W-DL	4562	2	0	1	91.6	4647	2	0	1	93.3	4845	2	0	1	97.3				

DELIVERED LUMENS CONTINUED

The table below shows the delivered lumens for the various lumen outputs and beam distributions. Use this chart in connection with the lumen factor (LF) capability to deliver any output required.

LED #	Drive Current	Lumen Package	Lens	Distribution	3000K 70CRI				4000K 70CRI				5000K 70CRI							
					Lumen	Bug Rating			Efficacy (Lm/W)	Lumen	Bug Rating			Efficacy (Lm/W)	Lumen	Bug Rating			Efficacy (Lm/W)	
36	460	700mA Microcore Equivalent	None	1	6811	1	0	1	124.1	6937	1	0	1	126.4	7233	1	0	1	131.8	
				2	6293	1	0	2	114.6	6410	1	0	2	116.8	6683	1	0	2	121.7	
				3	6160	1	0	2	112.2	6275	1	0	2	114.3	6542	1	0	2	119.2	
				4W	6229	1	0	3	113.5	6345	1	0	3	115.6	6615	1	0	3	120.5	
				1-HS	3848	0	0	0	70.1	3920	0	0	0	71.4	4087	0	0	0	74.4	
				2-HS	3362	0	0	1	61.2	3424	0	0	1	62.4	3570	0	0	1	65.0	
				3-HS	3291	0	0	1	59.9	3352	0	0	1	61.1	3495	0	0	1	63.7	
				4W-HS	3396	0	0	1	61.9	3459	0	0	1	63.0	3607	0	0	1	65.7	
				5Q	6538	3	0	1	119.1	6660	3	0	1	121.3	6944	3	0	1	126.5	
			5W	6349	3	0	1	115.6	6467	3	0	1	117.8	6743	3	0	1	122.8		
			Clear	1-CL	6261	1	0	1	114.0	6377	1	0	1	116.2	6649	1	0	1	121.1	
				2-CL	5785	1	0	1	105.4	5892	1	0	1	107.3	6144	1	0	1	111.9	
				3-CL	5662	1	0	2	103.1	5768	1	0	2	105.1	6014	1	0	2	109.5	
				4W-CL	5726	1	0	3	104.3	5832	1	0	3	106.2	6081	1	0	3	110.8	
				1-CL-HS	3537	0	0	0	64.4	3603	0	0	0	65.6	3757	0	0	0	68.4	
				2-CL-HS	3090	0	0	1	56.3	3148	0	0	1	57.3	3282	0	0	1	59.8	
				3-CL-HS	3025	0	0	1	55.1	3082	0	0	1	56.1	3213	0	0	1	58.5	
				4W-CL-HS	3122	0	0	1	56.9	3180	0	0	1	57.9	3315	0	0	1	60.4	
	5Q-CL	6010		2	0	1	109.5	6122	2	0	1	111.5	6383	3	0	1	116.3			
	5W-CL	5836	3	0	1	106.3	5945	3	0	1	108.3	6199	3	0	1	112.9				
	Diffused	3-DL	4878	1	0	1	88.9	4969	1	0	1	90.5	5181	1	0	1	94.4			
		5W-DL	5028	2	0	1	91.6	5122	2	0	1	93.3	5340	2	0	1	97.3			
		1	8791	1	0	1	122.8	8954	1	0	1	125.1	9336	1	0	1	130.4			
	615	9000		None	2	8122	1	0	2	113.5	8274	1	0	2	115.6	8626	1	0	2	120.5
					3	7951	1	0	2	111.1	8099	1	0	2	113.1	8444	1	0	2	117.9
					4W	8040	1	0	3	112.3	8189	1	0	3	114.4	8538	1	0	3	119.3
					1-HS	4967	0	0	0	69.4	5059	0	0	0	70.7	5275	0	0	0	73.7
					2-HS	4339	0	0	1	60.6	4420	0	0	1	61.7	4608	0	0	1	64.4
					3-HS	4248	0	0	1	59.3	4327	0	0	1	60.4	4511	0	0	1	63.0
					4W-HS	4383	0	0	2	61.2	4465	0	0	2	62.4	4655	0	0	2	65.0
					5Q	8439	3	0	1	117.9	8596	3	0	1	120.1	8963	3	0	1	125.2
					5W	8195	3	0	2	114.5	8348	3	0	2	116.6	8703	3	0	2	121.6
				Clear	1-CL	8081	1	0	1	112.9	8231	1	0	1	115.0	8582	1	0	1	119.9
					2-CL	7467	1	0	2	104.3	7605	1	0	2	106.2	7930	1	0	2	110.8
					3-CL	7309	1	0	2	102.1	7445	1	0	2	104.0	7762	1	0	2	108.4
					4W-CL	7390	1	0	3	103.2	7528	1	0	3	105.2	7849	1	0	3	109.6
1-CL-HS					4566	0	0	0	63.8	4651	0	0	0	65.0	4849	0	0	0	67.7	
2-CL-HS					3988	0	0	1	55.7	4063	0	0	1	56.7	4236	0	0	1	59.2	
3-CL-HS					3905	0	0	1	54.5	3978	0	0	1	55.6	4147	0	0	1	57.9	
4W-CL-HS					4029	0	0	2	56.3	4104	0	0	2	57.3	4279	0	0	2	59.8	
5Q-CL					7758	3	0	1	108.4	7902	3	0	1	110.4	8239	3	0	1	115.1	
5W-CL	7533	3	0	2	105.2	7674	3	0	2	107.2	8001	3	0	2	111.8					
Diffused	3-DL	6297	2	0	1	87.9	6414	2	0	2	89.6	6687	2	0	2	93.4				
	5W-DL	6490	2	0	1	90.6	6611	2	0	1	92.3	6893	2	0	1	96.3				

PHOTOMETRY

UCM2-ANG-36L-615-4K7-1

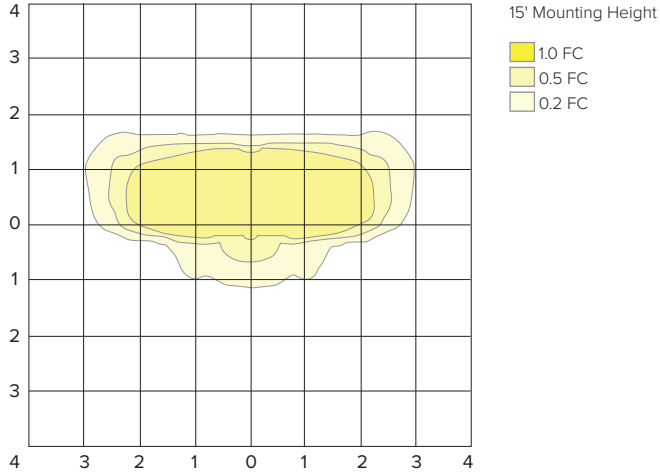
LUMINAIRE DATA

Description	4000 Kelvin, 70CRI
Delivered Lumens	8954
Watts	71.59
Efficacy	125.1
IES Type	I
BUG Rating	B1-U0-G1
Mounting Height	15 ft
Grid Scale	15 ft

ZONAL LUMEN SUMMARY

Zone	Lumens	% Luminaire
Downward Street Side	8046	90%
Downward House Side	908	10%
Downward Total	8954	100%
Upward Street Side	0	0%
Upward House Side	0	0%
Upward Total	0	0%
Total Flux	8954	100%

ISOFOOT CANDLE PLOT



UCM2-ANG-36L-615-4K7-2

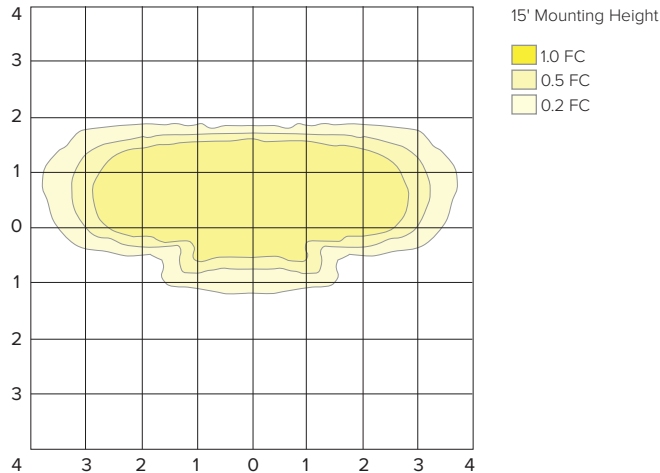
LUMINAIRE DATA

Description	4000 Kelvin, 70CRI
Delivered Lumens	8274
Watts	71.59
Efficacy	115.6
IES Type	II
BUG Rating	B1-U0-G2
Mounting Height	15 ft
Grid Scale	15 ft

ZONAL LUMEN SUMMARY

Zone	Lumens	% Luminaire
Downward Street Side	6942	84%
Downward House Side	1332	16%
Downward Total	8274	100%
Upward Street Side	0	0%
Upward House Side	0	0%
Upward Total	0	0%
Total Flux	8274	100%

ISOFOOT CANDLE PLOT



UCM2-ANG-36L-615-4K7-3

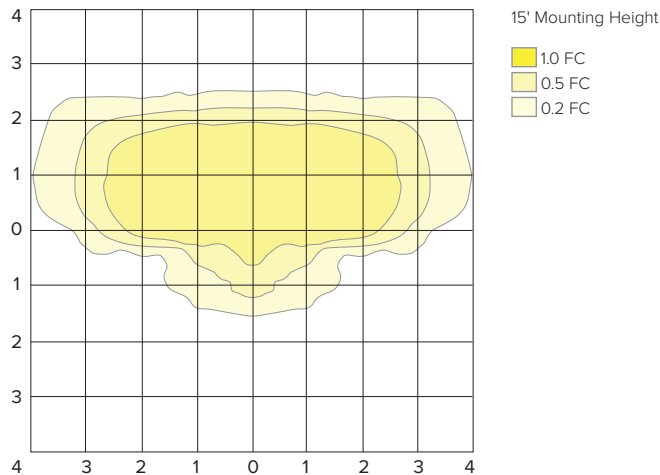
LUMINAIRE DATA

Description	4000 Kelvin, 70CRI
Delivered Lumens	8099
Watts	71.59
Efficacy	113.1
IES Type	III
BUG Rating	B1-U0-G2
Mounting Height	15 ft
Grid Scale	15 ft

ZONAL LUMEN SUMMARY

Zone	Lumens	% Luminaire
Downward Street Side	6800	84%
Downward House Side	1299	16%
Downward Total	8099	100%
Upward Street Side	0	0%
Upward House Side	0	0%
Upward Total	0	0%
Total Flux	8099	100%

ISOFOOT CANDLE PLOT



PHOTOMETRY

UCM2-ANG-36L-615-4K7-4W

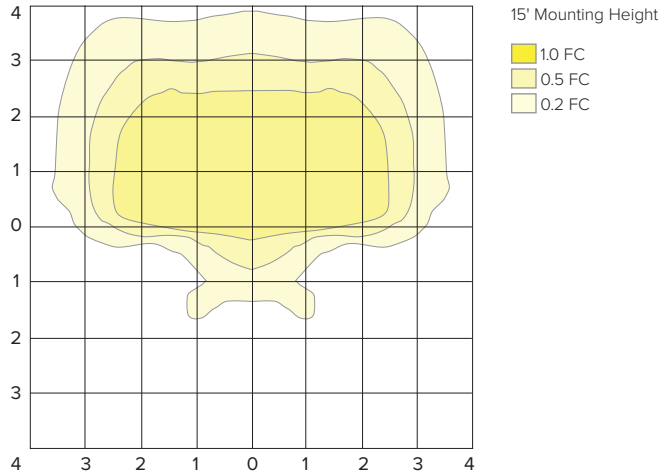
LUMINAIRE DATA

Description	4000 Kelvin, 70CRI
Delivered Lumens	8189
Watts	71.6
Efficacy	114.4
IES Type	IV Wide
BUG Rating	B1-U0-G3
Mounting Height	15 ft
Grid Scale	15 ft

ZONAL LUMEN SUMMARY

Zone	Lumens	% Luminaire
Downward Street Side	7339	90%
Downward House Side	850	10%
Downward Total	8189	100%
Upward Street Side	0	0%
Upward House Side	0	0%
Upward Total	0	0%
Total Flux	8189	100%

ISOFOOT CANDLE PLOT



UCM2-ANG-36L-615-4K7-5Q

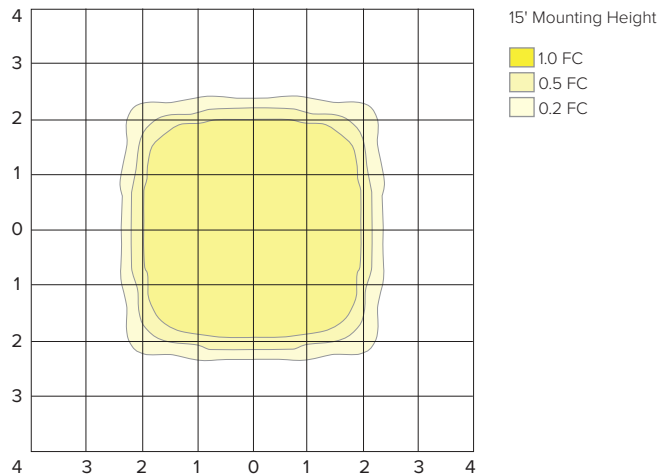
LUMINAIRE DATA

Description	4000 Kelvin, 70CRI
Delivered Lumens	8596
Watts	71.6
Efficacy	120.1
IES Type	VS
BUG Rating	B3-U0-G1
Mounting Height	15 ft
Grid Scale	15 ft

ZONAL LUMEN SUMMARY

Zone	Lumens	% Luminaire
Downward Street Side	4298	50%
Downward House Side	4298	50%
Downward Total	8596	100%
Upward Street Side	0	0%
Upward House Side	0	0%
Upward Total	0	0%
Total Flux	8596	100%

ISOFOOT CANDLE PLOT



UCM2-ANG-36L-615-4K7-5W

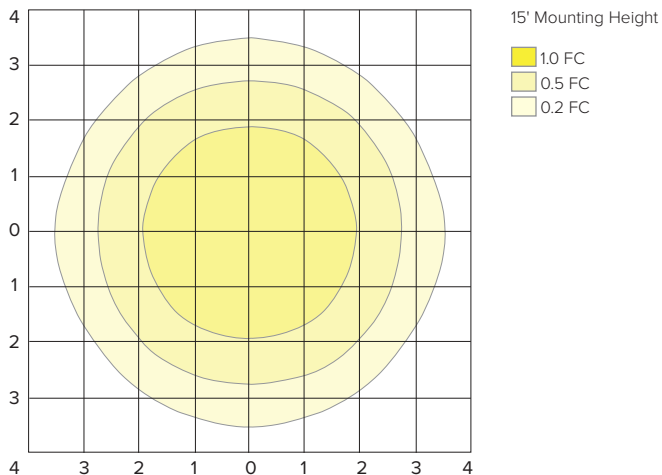
LUMINAIRE DATA

Description	4000 Kelvin, 70CRI
Delivered Lumens	8348
Watts	71.6
Efficacy	116.6
IES Type	VS
BUG Rating	B3-U0-G2
Mounting Height	15 ft
Grid Scale	15 ft

ZONAL LUMEN SUMMARY

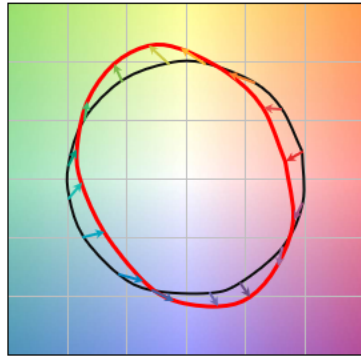
Zone	Lumens	% Luminaire
Downward Street Side	4174	50%
Downward House Side	4174	50%
Downward Total	8348	100%
Upward Street Side	0	0%
Upward House Side	0	0%
Upward Total	0	0%
Total Flux	8348	100%

ISOFOOT CANDLE PLOT



TM-30 DATA

COLOR VECTOR GRAPHIC

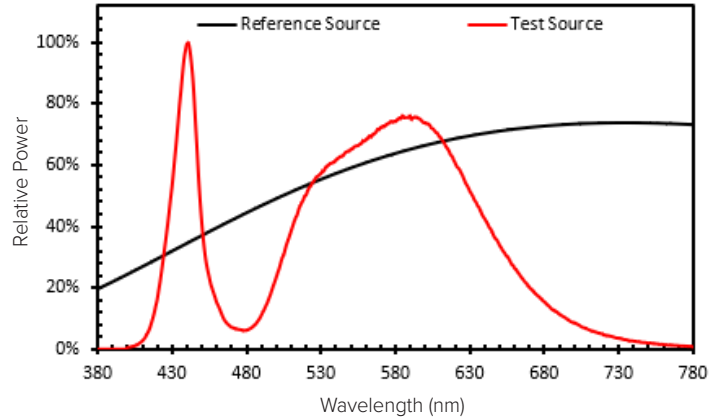


— Reference Illuminant — Test Source

TEST SOURCE

MBM TEST RESULTS	
CCT (K)	3947
CIE Ra	72
Duv	0.0004
x	0.3831
y	0.3793
Rf	68
Rg	99

SPECTRAL POWER DISTRIBUTION COMPARISON



ELECTRICAL DATA

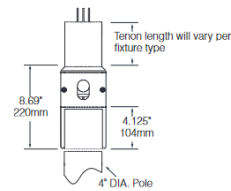
Light Engine	System Current	System Watts	Electrical								Min. Power Factor	Max THD (%)	Dimming Range	Dimming			
			Line Voltage		Amps AC									Source current out of 0-10V		Absolute voltage range on 0-10V (+)	
			VAC	HZ	120	208	240	277	347	480				Min	Max	Min	Max
36L	260 mA	31.52	120-480	50/60	0.26	0.15	0.13	0.11	0.09	0.07	>0.9	20	10% to 100%	0mA	1mA	0V	10V
	325 mA	40			0.33	0.19	0.17	0.14	0.12	0.08							
	420 mA	49.82			0.42	0.24	0.21	0.18	0.14	0.10							
	460 mA	54.9			0.46	0.26	0.23	0.20	0.16	0.11							
	615 mA	71.6			0.60	0.34	0.30	0.26	0.21	0.15							

TM-21 LIFETIME CALCULATION - PROJECTED LUMEN MAINTENANCE (25°C / 77°F)						
HOURS	0	25,000	36,000	50,000	100,000	REPORTED L70
Projected Lumen Maintenance	100%	98.0%	96.9%	95.4%	90.5%	> 60,000

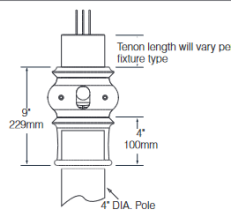
Multiplier for Amber LED		
CCT	Wavelength	Multiplier
Amber LED	595nm	0.255
Lens Multiplier for 80 & 90 CRI		
Scaling Factor should be applied to 5000K 70 CRI Data		
CCT	80 CRI	CRI 90
2700K	0.859	0.655
3000K	0.912	0.703
3500K	0.906	0.732
4000K	0.894	0.734
5000K	0.879	0.771
Lens Option Multiplier		
Multiplier to Estimate Light Loss with Lens		
CL	Clear Lens	0.913
DL	Diffused Lens	0.792

ADDITIONAL INFORMATION

**PHOTOCELL
PCA-C**

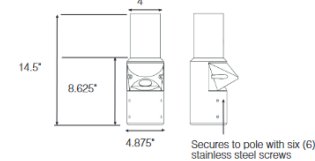


PCA-T



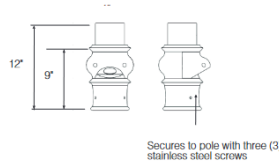
EGRESS

**EPA-C
CONTEMPORARY**



EPA-T

TRADITIONAL



[Click here to view spec sheets](#)

PHOTOCELL / EGRESS ADAPTERS

- Adapter(s) shall slip over a 4"/100mm DIA. pole with the luminaire or arm slipping over the adapter to add a total of 4.5"/114mm to the overall height. Adapter(s) shall be prewired, independently rotatable 359°, and have a cast access cover with an integral lens and lanyard.

- Photocell adapter shall include an internal twist lock receptacle. Photocell by others.
- Egress adapter shall require an auxiliary 120 volt supply for operation of an integral MR16 lamp in the event of emergency. The lamp may be

aimed and locked into position with an adjustment range of 15°-45°. Adapter shall have a socket that accepts miniature bi-pin MR16 lamps up to 50 watts, lamp by others.