



GENERAL INSTRUCTIONS
ROUND POOL

for regular installation

**DAYTONA
TRIBECA**

designed by ALTO

95-0808

ABOVE GROUND POOL SAFETY

PLEASE READ BEFORE INSTALLATION

FAILURE TO HEED THESE WARNINGS CAN RESULT IN PERMANENT INJURY, PARALYSIS FROM A BROKEN NECK, ELECTROCUTION OR DROWNING. THIS POOL IS NOT DESIGNED FOR DIVING OR JUMPING! DANGEROUS INJURY CAN RESULT, SHALLOW WATER!

Your pool contains a large quantity of water, and is deep enough to present inherent dangers to life and health unless the following safety rules are strictly observed. First-time users run the highest risk of injury. Make sure everyone understands. To insure your pool is used safely you must observe the following safety precautions:

1. NO JUMPING OR DIVING

The top rail of your pool is not a walkway and must not be used for jumping or diving. Do not permit jumping or diving into the pool from a deck or the top rail of the pool. Diving or jumping into the pool can result in serious injury.

2. NEVER USE THE POOL ALONE

Never permit the pool to be used unless it is attended by at least one person other than the bather. Someone should always be available to lend assistance in an emergency.

3. NEVER LEAVE CHILDREN UNATTENDED

Never leave a child alone and unsupervised in or near the pool, not even for a second. There is no substitute for constant adult supervision.

4. NO ROUGH PLAY

Do not permit "rough-playing" in and around your pool. Surfaces can become slippery and hazardous when wet.

5. LIGHT THE POOL AT NIGHT

If the pool is used after dusk, adequate lighting must be provided. Illumination in the pool area must be sufficient to clearly judge pool depth and all features in and around the pool. For lighting recommendations, consult your local licensed electrical contractor

6. RESTRICT ACCESS TO THE POOL

Do not leave chairs or other furniture beside the pool that could be used by a child to climb up into the pool. Ladders must be removed whenever the pool is unattended. A fence with a lockable gate around the pool or yard is strongly recommended and may be required by law in some jurisdictions.

7. NO ALCOHOL OR DRUGS

Never drink alcoholic beverages or use any intoxicants which could hinder your judgment and reflexes.

8. KEEP YOUR POOL CLEAN AND SANITARY

Your filter system will remove suspended particles from the water and the surface skimmer will remove insects, leaves and other debris from the water surface. Use the correct pool chemicals as directed to destroy harmful bacteria and prevent formation of algae. Remember, unsanitary water is a serious health hazard.

9. KEEP OFF TOP LEDGES

Do not walk on top ledges. They can be slippery and they are not a walkway.

10. POOL COVER SAFETY

The cover must have a tamperproof locking retainer cable that positions the cover around the pool wall and keeps it securely in place. Never allow anyone, especially small children on the cover. Asphyxiation or drowning could result. When purchasing any pool cover, please consult a swimming pool professional.

11. ELECTRICAL HAZARD

Never touch or attempt to service electrical equipment, including the filter when your body and/ or the ground is wet. Electrocution or permanent injury due to high voltage (120V AC) could result. The pool should be bonded in accordance with Section 680-26 of the National Electrical Code. For further assistance contact your dealer or a local licensed electrician. Do not use pool during electrical or rain storms.

12. SAFETY ROPE & POLE

Keep a safety rope 1/4" by 50" with a flotation buoy with an outside diameter of 15". Have accessible in a prominent area by your pool. Keep a pole not less than 16 feet (4.88m) long with a blunt or hook end available at pool side in case of emergencies.

13. POOL CHEMICALS

Do not place chlorine, chlorine tablets or sticks directly into skimmer, or winterize your pool with liquid chlorine. Damage to the skimmer, pool liner and filter will result. Failure to obey this instruction will void all component warranties. Always follow Chemical Manufacturer's instructions when storing, handling and dispensing pool chemicals.

14. CHECK FOR DAMAGE

Periodically check your pool and ladder components for damage and wear. Be sure all screws are in place. Replace all damaged or worn components and tighten all screws before you use the pool, deck or ladders. At first sign remove rust and touch up immediately.

15. POOL PARTS

Never modify the pool or accessories, or remove or drill holes in the pool, deck or ladder components unless instructed. Your pool wall is made of thin metal, there is an inherent cut hazard with metal so use gloves during installation. Always use Original Equipment Manufactured parts

FOLLOW ALL SAFETY INSTRUCTIONS

Read and follow all safety instructions packaged with pool, ladder, deck or any other accessory. Additional pool safety publications can be obtained by contacting: The Association of Pool & Spa Professionals (www.apsp.org)

Important notice read before installation!

The safety stickers must be installed as per following instructions. Failure to properly install warning labels will void warranty. Failure to mount these safety labels may subject you to substantial liability in case of injury. These warning are not to be removed under any circumstances! If they become discolored or fall off please request replacements which will be sent at no charge.



IMPORTANT INFORMATION ABOUT YOUR LINER

We do not make or supply liners for our pools.

Please contact your liner's manufacturer with questions or if instructions are not included with the liner.

Liner must be installed per the liner manufacturer's instructions.


Incorrect liner installation may void the warranty.


TABLE OF CONTENTS

GENERAL INSTRUCTIONS - ROUND POOLS

 / **01**
SECTION PARTS
LISTING

 / **02**
SECTION GROUND
PREPARATION

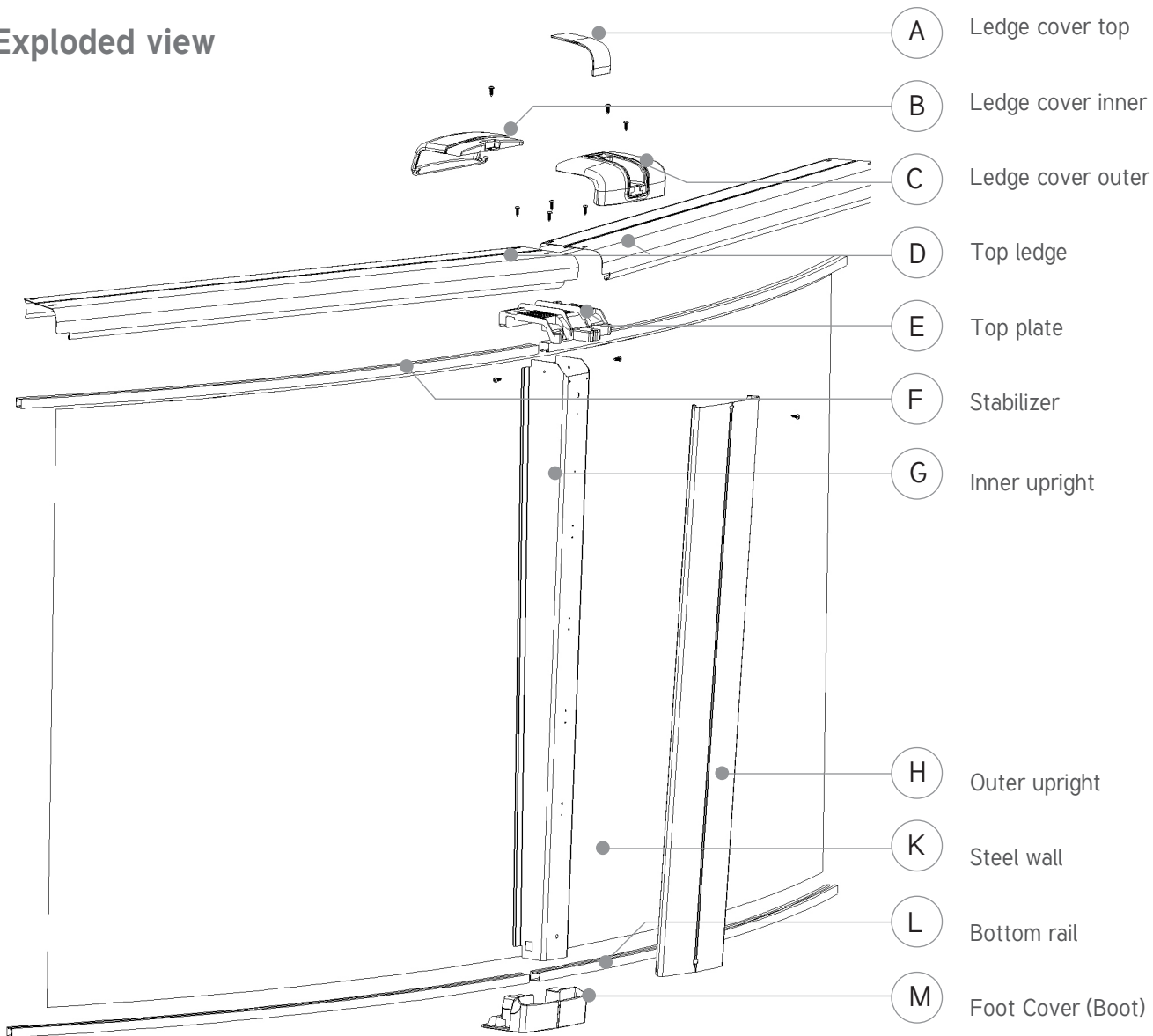
 / **03**
SECTION ASSEMBLING
THE POOL BASE

 / **04**
SECTION ASSEMBLING
THE POOL WALL

 / **05**
SECTION ASSEMBLING
THE POOL FRAME

01 PARTS LISTING
SECTION

Exploded view





01 PARTS LISTING

SECTION

GENERAL INSTRUCTIONS – ROUND POOLS

Parts listing

Index	Description	Part #	15'	18'	21'	24'	27'	30'	33'
A	Ledge cover top (Daytona)	38626	10	12	14	16	18	20	22
	Ledge cover top (Tribeca)	22122	10	12	14	16	18	20	22
B	Ledge cover inner (Daytona)	38625	10	12	14	16	18	20	22
	Ledge cover inner (Tribeca)	22121	10	12	14	16	18	20	22
C	Ledge cover outer (Daytona)	38624	10	12	14	16	18	20	22
	Ledge cover outer (Tribeca)	22120	10	12	14	16	18	20	22
D	Top ledge (Daytona)	38585	10	12	14	16	18	20	22
	Top ledge (Tribeca)	40352	10	12	14	16	18	20	22
E	Top plate	38594	10	12	14	16	18	20	22
F	Stabilizer	385**	11	13	15	18	20	23	24
G	Inner upright (Daytona)	38590	10	12	14	16	18	20	22
	Inner upright (Tribeca)	22131	10	12	14	16	18	20	22
H	Outer upright (Daytona)	38588	10	12	14	16	18	20	22
	Outer upright (Tribeca)	22129	10	12	14	16	18	20	22
I	Vinyl liner (overlap)		1	1	1	1	1	1	1
J	Vinyl liner (hook)		1	1	1	1	1	1	1
K	Steel wall	W***52/54	47'1"	56'7"	66'	75'5"	84'10"	94'3"	104'
L	Bottom rail	38***	10	12	14	16	18	20	22
M	Foot Cover (Boot) (Daytona)	38627	10	12	14	16	18	20	22
	Foot Cover (Boot) (Tribeca)	22123	10	12	14	16	18	20	22
N	Screw #12 x 1 18-8SS PHIL TRUSS-A	99-0085	80	96	112	128	144	160	176
O	Screw #10 x 3/4 410SS Hex Washer Self Drill J600	99-0090	120	144	168	192	216	240	264
P	HDW SS #37 Bolt set wall 48/52/54"	10607	1	1	1	1	1	1	1

**SPECIAL
NOTICE WILL
BE DELIVERED
BY YOUR
LOCAL DEALER
FOR EVERY
INSTALLATION
OUT OF THE
MANUFACTURER
STANDARDS.**

Plan your installation first

Check local laws on construction and electrical installation. Also make sure that you meet security standards related to fences and pool cover. Select an appropriate site for your swimming pool by considering the following points:

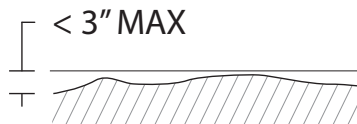
- + Distance from the fence
- + Overhead electrical wires
- + Predominant winds
- + Accessory location (filter, decking, ...)
- + Appropriate electrical outlets
- + Surrounding trees (falling leaves and roots)
- + Underground cables and gas conducts
- + Do not install your pool on concrete, asphalt, wood, grass turf, top of grass, gravel or chemically treated soil. Avoid also weed and nut grass area.
- + Avoid areas with poor drainage.
- + Do not install on windy days
- + Sun reflection in your yard
- + Install with 2 or 3 helpers

Be careful

Ground surface and levelness: it is very important that the ground surface be firm and solid. Pool area must be free of grass, rocks roots or other sharp edges objects. Any parcel of grass left under the pool will rot and release unpleasant odors. Avoid installing your pool on surface which has been treated with oil weed-killer or chemical products. This could affect the vinyl liner among other things.

The entire pool surface must be completely levelled when preparing your site. DO NOT FILL LOWER GROUND AREA because any added ground won't give the needed strength to support pools weight. For a slope greater than 3" (10 cm), please contact your retailer to get specific instructions for your situation.

Before you start your installation: make sure you have all the parts for complete assembling (see your parts lists). If irregularities such as missing part(s) or defect(s) ever occur, go to your dealer to get new pieces.

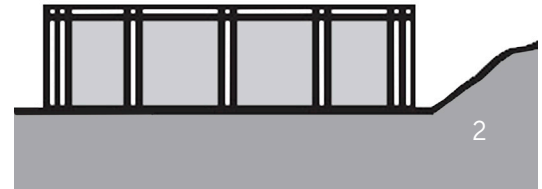
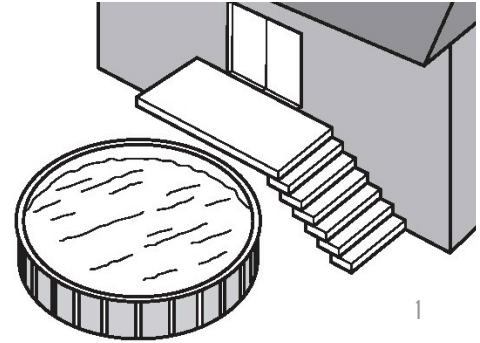


A. DETERMINE THE LOCATION OF YOUR POOL

1. The Terrain

Pay special attention to choosing the right location for your pool:

- Choose a large area, as flat and level as possible and well drained. **(Image 1)**
- Choose a spot on dry, firm earth (stabilizer or other)—do not install the pool on asphalt, tar or oil based surfaces, gravel, peat moss, wood or chemically treated soil.
- Check with your pool dealer to see if Nut Grass grows in your area. This type of grass may grow up through your pool liner. Your dealer will be able to advise how best to treat the site.
- Sloped areas will need to be made level by digging away high spots, not by filling low spots—be prepared to hire earth-moving equipment if necessary. **(Images 2)**
- Ensure the earth is well compacted and a wall is placed to prevent the earth from seeping out.
- If you need to install partly in the ground, you must contact your dealer to see if this is an option for you and that you meet law requirements in your jurisdiction. **(Image 3)**



IMPORTANT NOTE:

Ground preparation is one of the most important steps in the installation process. A proper foundation will ensure the rest of the pool assembly goes smoothly and that no problems will occur when the pool is filled with water.

2. Things to Avoid

Do not locate your pool near or on any of the following (Images 4 to 6) :

- Overhanging tree branches.
- Overhead wires and clotheslines.
- Buried pipes and wires. Contact your gas, electric and telephone utilities to find buried pipes and wires before you dig.
- Areas with poor drainage.
- Grass, stones and roots. Grass will rot underneath the pool liner, and stones and roots will damage the pool liner.
- Areas recently treated with oil-based weed killers, chemicals or fertilizers.

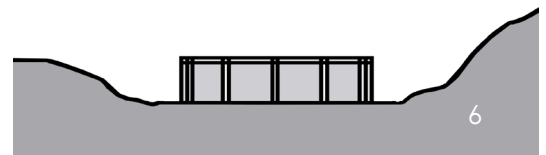
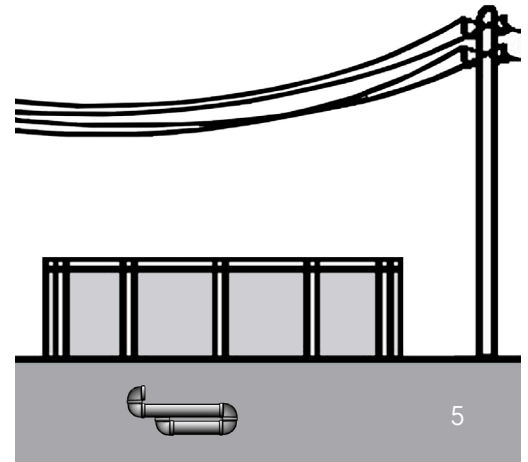
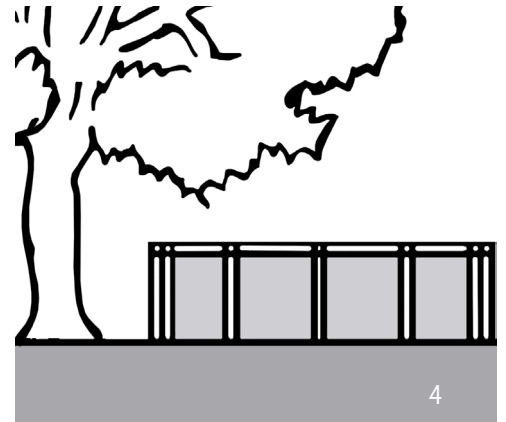
3. Plan Ahead

- Will you be adding an adjacent deck later? Be sure to leave room.
- Will you be using pool accessories or other appliances that need electricity or gas? Locate your pool near these services or plan to have them installed later by a licensed contractor.

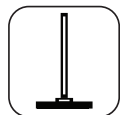


IMPORTANT NOTE:

When locating the centre of the pool, be sure to take into consideration any structures (deck, patio, house) or relevant items (change rooms, gazebo, etc.) that the pool may need to line up with and ensure that the pool is in the most visual pleasing location for your property.



4. Tools Needed



Compactor



Hammer



Water hose



Level



File



Vacuum cleaner



Pliers



Rake



Lawn roller



Metal snips



Screwdriver



Wheelbarrow



Shovel



Spraypaint



Mallet



List of required materials

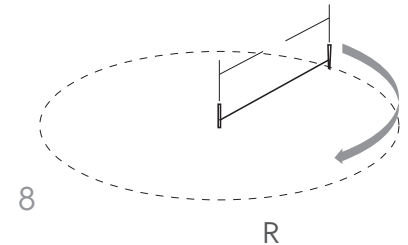
- Straight wood plank
- Material that provides a permanent base (ex. Crushed stone)
- Fine sand (void of debris)
- Cement blocks (5cm x 20cm x 40cm / 2"x 8"x16") (optional)
- 2x Plywood (60cm x 120cm / 2ft x 4ft)
- Wood board (30cm x 20cm / 1ft x 1ft)
- Vinyl covered hooks (to hold wall steady)
- String and stakes & wooden pegs
- Prefabricated cove sections (optional)
- Pool carpeting (optional)
- Rope
- Polyethylene Plastic Sheeting
- Optical Level can be useful for precise measurements

5. Mark out the area

Drive a peg into the ground at the center of the area where you want your pool.

Use a length of sting tied between the peg and a can of spray can, and mark a circle on the ground (a tape measure can also be used). The circle will be 12" (30 cm) bigger all round than the pool. **(image 8)** See radius length below.

Pool diameter	Radius
15' (4,5m)	8' (2,4m)
18' (5,5m)	9'6" (2,9m)
21' (6,4m)	11' (3,3m)
24' (7,3m)	12'6" (3,8m)
27' (8,2m)	14' (4,3m)
30' (9,1m)	15'6" (4,8m)
33' (10m)	17' (5,2m)

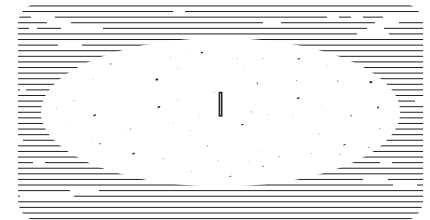


6. Remove the sod

Remove all sod and plants from the circle. **(image 9)**

Remove any sticks, stones and roots from the circle using rake.

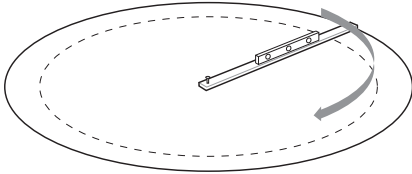
To make sure your pool is stable, compact the ground well, use compactor, before adding the sand.



IMPORTANT NOTE:

Your pool must be perfectly level. Take the time you need to be sure your foundation is perfectly level.

7. Levelling your pool site



10

The entire pool area must be completely levelled. Level it using carpenter's level and a straight plank.

Nail one end of a straight 2-by-4 (5cm x 10cm) wood plank to the top of the stake. Use a nail long enough to hold the end of the 2-by-4 (5cm x 10cm) wood plank to the stake while you rotate it in a circle.

Put a carpenter's level on the wood plank and swing the board in a circle to level the area. **(image 10)**

DO NOT ADD GROUND FOR LEVELLING YOUR POOL SITE. You must dig down to the lowest point of your pool site. Any added ground won't give the needed strength to support pool's weight.

Take material such as rock dust or fine mortar that can conform a solid, permanent base and deposit this material around the rim of the basin. The material used should be spread around the perimeter of the pool to a width of 24" (60cm) and a thickness of 2" (5cm).

Note: Bottom rails will be placed in the center of the perimeter of the pool see the dashed line.

Lay out the bottom rails and bottom plates around the circle.

1. Patio stones installation (OPTIONAL)

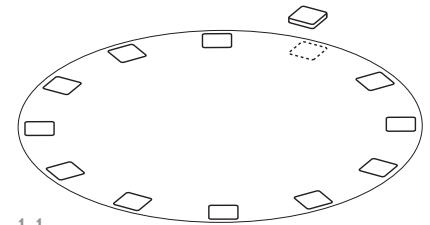
Concrete patio stones may be placed at the base of each upright of your pool.

Each bottom plate will show the location for a patio stone. Make a mark in the ground at each base plate.

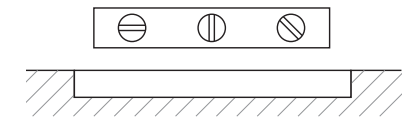
Remove the bottom rails and bottom plates and lay out the patio stones around the circle where the bottom plates were.

The patio stones must be sunk into the ground so the tops are flush with the soil around them (**image 11**). Use the carpenter's level to make sure the patio stones are perfectly level and flush with the ground. Use either the carpenter's level and a 2-by-4 (5cm x 10cm) wood plank, or the optical level between patio stones to make sure the stones are level with each other. (**image 12**)

Do not install blocks or rails on loose sifted soil or sand. There must be no space between the ground and the bottom of the rails. All patio blocks must be flush with the ground, solid and level with each other in all directions



11



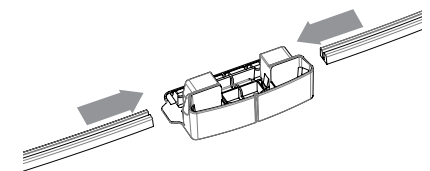
12

2. Bottom rail and bottom foot plate assembly

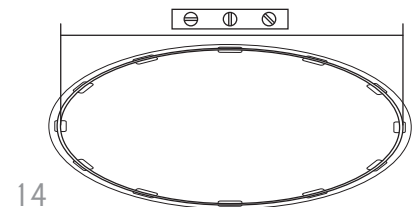
Place all the bottom rails and the bottom foot plates over the traced circle.

Insert the bottom rail on both sides of the foot plate and allow a space of 2" (60 mm) between bottom rail end. Make a complete circle using all the bottom rails. (**image 13**)

Check the roundness of your circle, by measuring the diameter across in several locations. Since the bottom rails do not automatically form a true circle, DO NOT SKIP THIS STEP! Otherwise you might end up with a slightly oval shape, which can cause problems later on. (**image 14**)



13

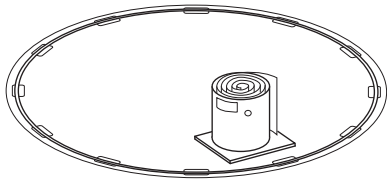


14

Round pool footprint – All sizes

Size	15'	18'	21'	24'	27'	30'	33'
Uprights	10	12	14	16	18	20	22
Rails	10	12	14	16	18	20	22
Radius of rails	7'6"	9'0"	10'6"	12'0"	13'6"	15'0"	16'6"
Wall perimeter	565	679	792	905	1018	1131	1244

1. Putting up the wall

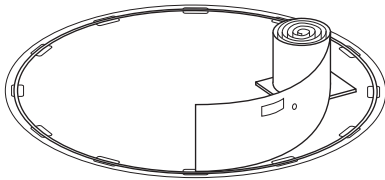


15

Bring the following items into the middle of the pool foundation before you start uncoiling the pool wall: plywood, some extra sand or fine dirt to make the cove, the liner and a ladder to climb out after the wall is assembled.

Make sure the skimmer and water return holes are located where you need them to be. The skimmer and water return holes are positioned towards the end of the wall.

Unpackage the coiled pool wall and stand it on the plywood at the place close to where you need to install skimmers. **(image 15)**



16

Start uncoiling the wall, guiding the bottom edge into the curved bottom rail. The starting end of the wall must be positioned in the centre of a bottom plate and the skimmer and return holes should be positioned where the pump and filter will be. **(image 16)**

Set lengths of stabilizer onto the top ledge of the wall as you uncoil it.

IMPORTANT NOTE:



If you use a skimmer, you should consider putting the pre-punched slots not too far from the planned location of the filter. If you don't use a skimmer, the pre-punched holes must be covered with heavy fabric tape. It prevents the lining from being cut.

04 ASSEMBLING THE POOL WALL

SECTION

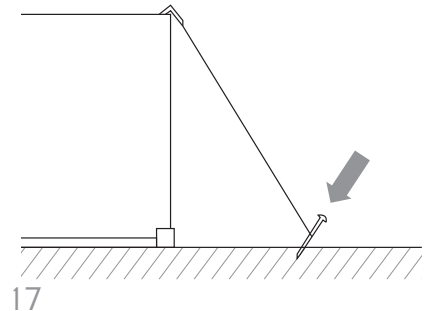


IMPORTANT NOTE:

It is preferable to use very fine sand that is easily compacted. Be careful not to spill sand on the bottom rails.

We also suggest installing vinyl-covered hooks and rope to hold the wall steady (**image 17**). Ideally the help of several people should be solicited to hold the wall in place. Work around the foundation until the entire pool wall is uncoiled into the bottom rails.

When uncoiling the wall, the skimmer and return holes are positioned toward the end of the wall.



Adjusting the wall circumference

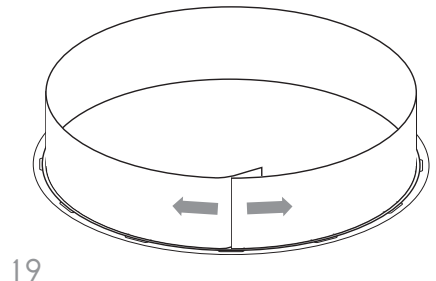
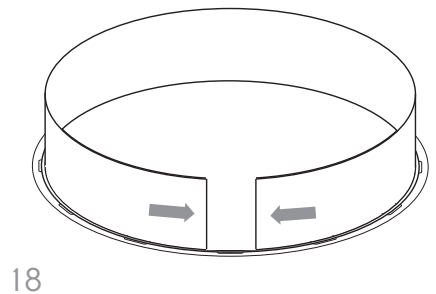
Now that you have installed the wall you can be faced with three scenarios:

- + The wall joints align perfectly, if so move on to the next step 6.
- + Your wall appears to be too short. IT IS NOT. However the space between the bottom rails must be decreased by lightly tapping the bottom plates towards the inside of the pool. You can also tap the wall lightly with both hands in the desired direction. (**image 18**)

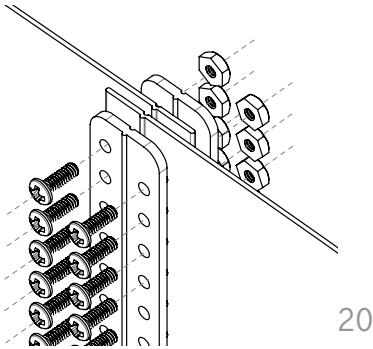
You must recheck the gaps at each and every one of the bottom rails so that they are equal in gap size.

- + Your wall appears to be too long. IT IS NOT. However the space between the bottom rails must be increased by lightly tapping the bottom plates towards the outside of the pool. You can also tap the wall lightly with both hands in the desired direction. (**image 19**)

You **MUST** recheck the gaps at each and every one of the bottom rails so that they are equal in gap size.



2. Fasten and seal the wall



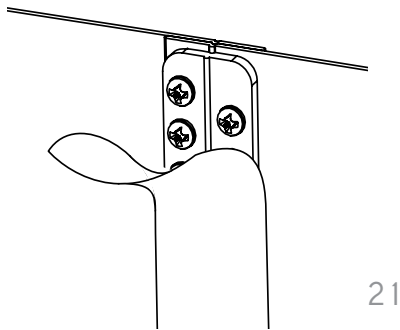
When tightening the screws start from either the top and go down or vice versa. Do not start a few screws from top and a few from the bottom to meet in the middle, this can cause problems later on. **(image 20)**



IMPORTANT NOTE:

Stick a screwdriver through two of the holes to help line up the ends of the walls.

Cover the seam and bolt heads on the inside/interior of the pool wall completely with 2' (50 cm) duct tape. **(image 21)**



Using a tape measure, measure across the circle at each bottom plate. The pool wall must be round. Adjust the circle by nudging the base plates in or out with your foot. **(image 22)**

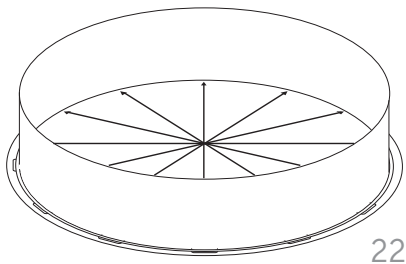


IMPORTANT NOTE:

Due to the enormous pressure exerted against the steel wall, it is absolutely essential to screw ALL THE BOLT TIGHTLY. DO NOT LEAVE ANY EMPTY HOLES. Bolt heads must be inside and washers outside. Remove all particles of steel from the bolts inside the pool.

- + Make sure that the steel wall is securely resting at the bottom of the wall channels.
- + Make sure the steel wall is leaning on the inward edge of the wall channels.
- + Make sure that all bottom wall channels are properly joined inside the post bases.
- + Make sure the wall makes a perfect circle by measuring the diameters again.

Remove center stake.



3. Making the cove

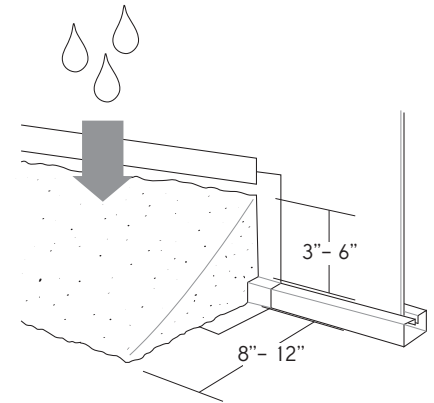
You can now spread approximately 2" (5cm) of screened earth or mason's sand all around the inside of the pool wall. Build a cove of 3" (7,5cm) high, and not less, of well packed screened earth or mason's sand. **(image 23)**

Water the sand to compact it and use a trowel to spread it evenly.

DO NOT USE THIN SAND. GRASSTURF OR ANY OTHER MATERIAL SO CALLED "POOL BASE" THAT CAN CAUSE DAMAGES TO YOUR POOL. THE LINER COULD EVENTUALLY RUPTURE.

The cove is very important. THE MANUFACTURER WILL NOT BE RESPONSIBLE FOR DAMAGES CAUSED BY OMISSION OF THIS STEP.

If you are using Styrofoam cove pieces instead of sand, insert them in the bottom rail and refer to the installation instructions that are provided with them.



23



IMPORTANT INFORMATION ABOUT YOUR LINER

We do not make or supply liners for our pools.

Please contact your liner's manufacturer with questions or if instructions are not included with the liner.

Liner must be installed per the liner manufacturer's instructions.

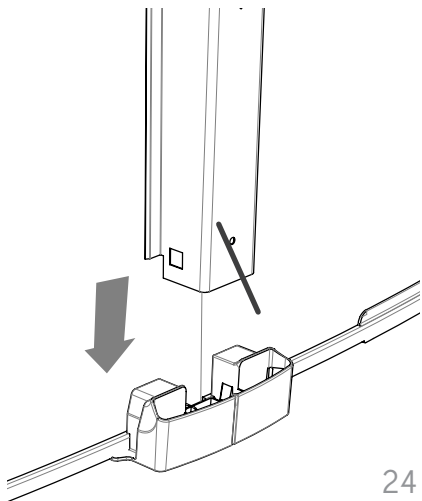
Incorrect liner installation may void the warranty.



05 ASSEMBLING THE POOL FRAME

SECTION

GENERAL INSTRUCTIONS – ROUND POOLS



24

1. Install the uprights

The wall joints is hidden behind the upright on most pools. This assures that the skimmer and the skimmer return holes are not obstructed.

Insert the upright in the bottom joining plate until the hooks snaps. **(image 24)**



IMPORTANT NOTE:

Use the ridges in the pool wall to make sure the upright column is straight up and down.



IMPORTANT NOTE:

Ensure to leave a gap between the two bottom rails

2. Install the stabilizers and top plates

Insert each end of the stabilizers into the other along the length of the wall. Make sure every stabilizers fits on the pool wall. **(image 25)**

Align the top plate on the upright and insert it in. The top plate slides into the top of the upright by applying pressure thus securing the wall and the upright together. Secure it with four screws: two on the sides and two on top. **(image 26)**. Apply pressure on the rear part of the top plate while you insert the side screws.



IMPORTANT NOTE

If you have some LED lights, you should install them now. Refer to the LED instruction manual to install them properly

3. Install top ledges

Position and place the top ledge on the upright. The top ledge must be pushed toward the inside part of the pool and the screw holes on the top ledge must align with the holes on the top of the upright. **(image 27)**

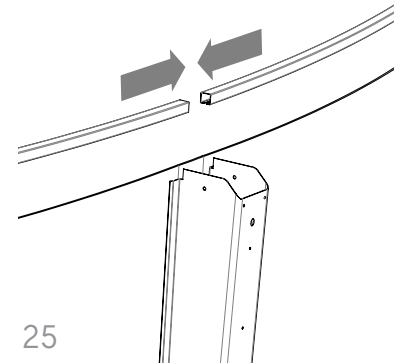
Insert partially the four Phillips screws on the top and the six hexagonal screws on the front. Distribute evenly the space between the



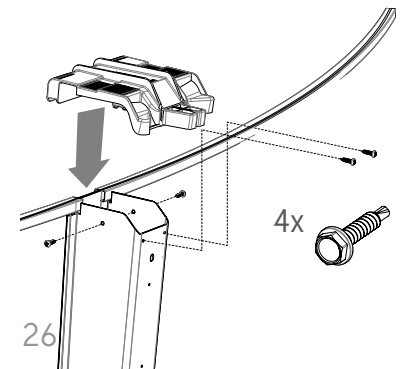
IMPORTANT NOTE

Ensure to leave a gap between the two stabilizers.

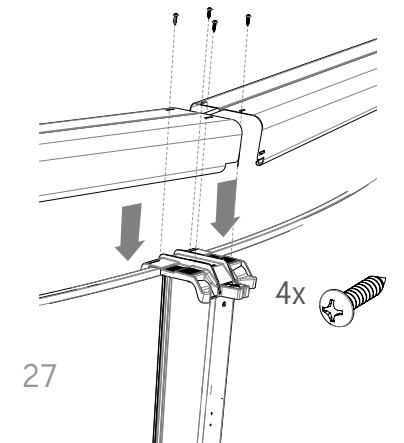
Make sure to level the two axes of the uprights by pushing slightly inwards before tightening the screws permanently.



25



26



27

4. Install the ledge covers and outer upright

Take the rear part of the ledge cover and insert the hooks underneath the top ledge.

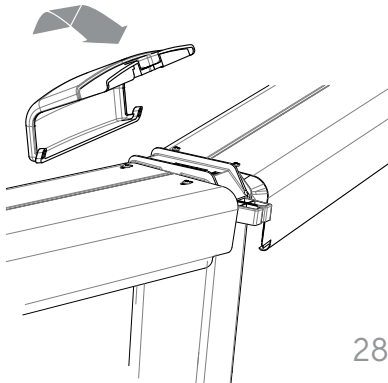
Toggle over the rear part of the ledge cover and align the screw hole with the one on the top plate. Attach with a Phillips screw. **(images 28–29)**

Insert the outer upright in the bottom joining plate until the hook snaps. **(image 29)**

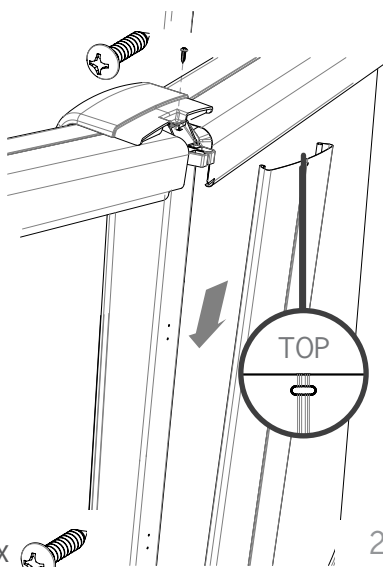
Take the front part (outside of the pool) and slide it on the top ledges and ensure that the rear part ends are inserted in the front part. Attach with two Phillips inch screws. **(image 30)**

Secure the outer upright with a Tek screw at the top of it. **(image 30)**

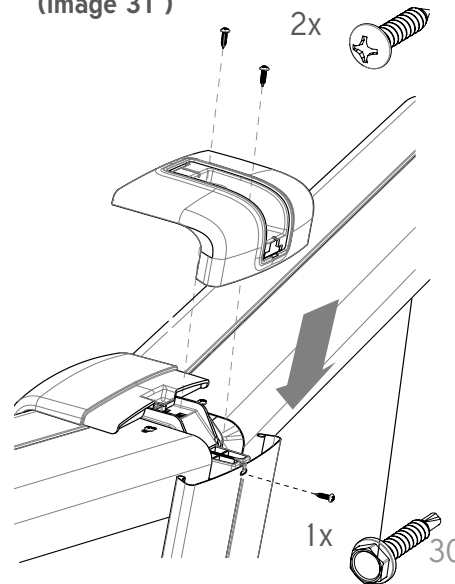
Align the top part on the front part and insert the top part rear clips. The top part front clips snap onto the front of the front part by applying pressure. **(image 31)**



28

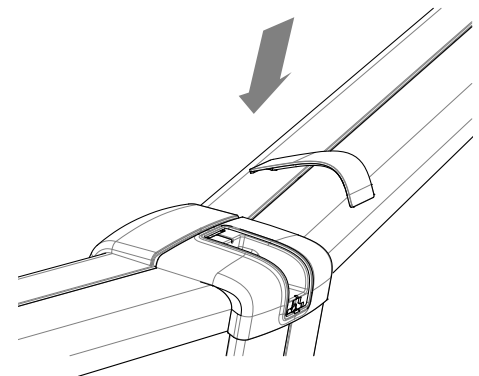


29



1x

30



31



05 ASSEMBLING THE POOL FRAME

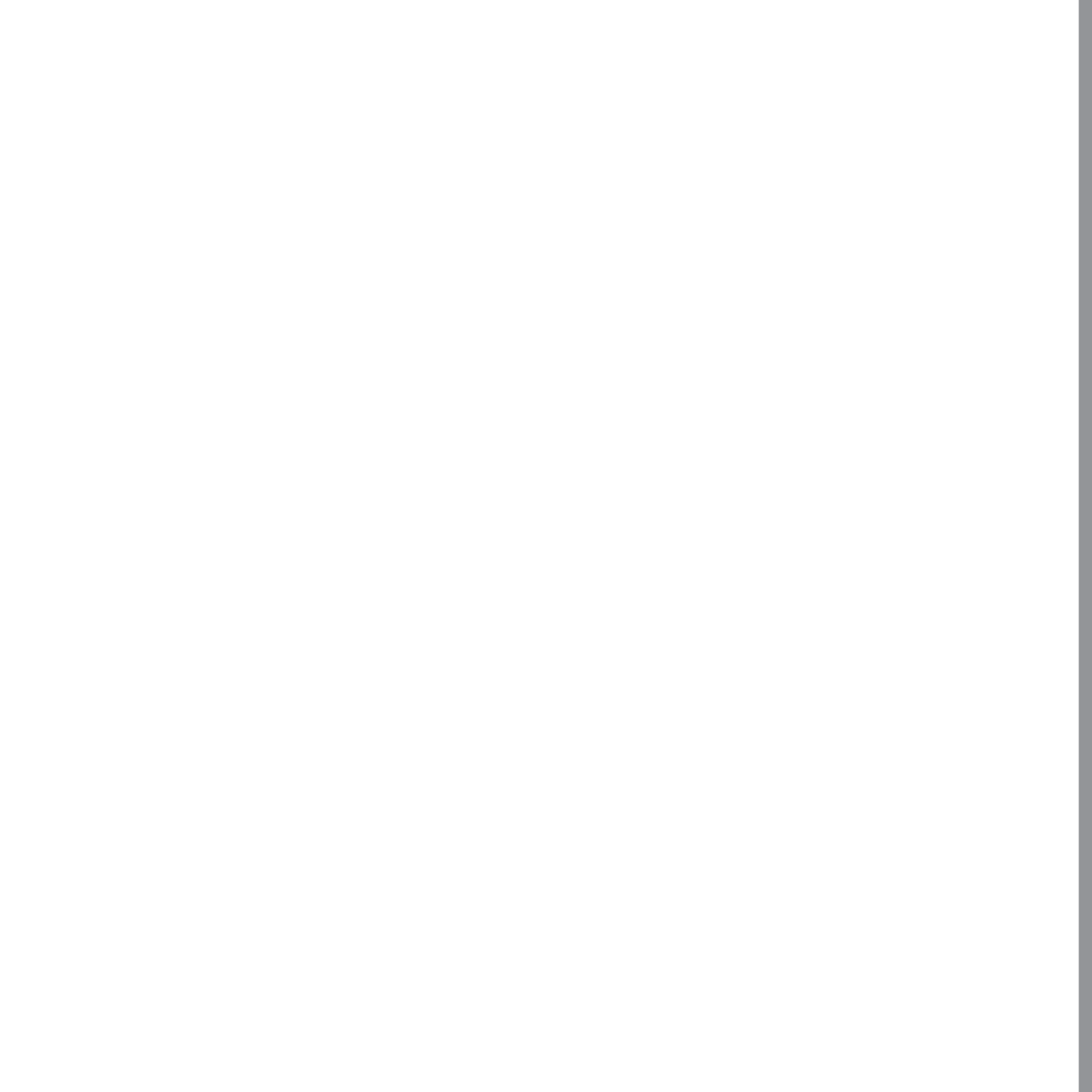
SECTION

GENERAL INSTRUCTIONS – ROUND POOLS

5. Finish filling the pool

Fill the pool with water to 2" (5cm) below the lowest opening. Make sure you remove any creases from the liner in the bottom of the pool before the water level gets too high.

Your pool is now installed. You must now install the filter and pump, the skimmer and water return inlet. Please follow the installation instructions that come with these products.



DAYTONA TRIBECA

designed by

ALTO