

DeckWise<sup>®</sup>.com

Manufacturers of Hidden Deck Fasteners & Accessories

AMERICAN COMPANY  
**AMERICAN TRADITION**  
AMERICAN PRIDE™

DISCOVER  
WHAT OTHERS  
ALREADY KNOW.™

# ABOUT OUR COMPANY



**DECKWISE®**, THE IPE CLIP® FASTENER CO., LLC, manufactures deck building products for use with exotic Brazilian hardwoods, thermally modified wood and composite material. Our decking products and accessories have been developed by our in-house professional team of engineers, machinists, and mold makers from what contractors have asked for.

Our claim to fame is our patented **IPE CLIP® EXTREME® HIDDEN DECK FASTENER** series comprised of a stainless steel reinforcing insert that firmly holds decking to joists with up to 3X more hold-down strength than other edge-mount deck fasteners.

From the time our company was founded in

2000, every year has brought extensive growth. With every innovative decking product we bring to the market we continue to expand our worldwide footprint of dealers and distributors. We align with their main goal to provide their customers with the highest-quality decking tools and accessories on the market.

**DeckWise**.com

Manufacturers of Hidden Deck Fasteners & Accessories

- 1** DeckWise® hardwood deck tiles with connector system installation.
- 2** Composite decking installed with DeckWise® ExtremeKD® hidden deck fastener system.
- 3** Beautiful hardwood stairs fastened down by DeckWise® hidden fasteners.



A WiseChoice™

If it says DeckWise®, you know you are using the best there is.

# MANUFACTURING DECKING SOLUTIONS...Revolutionizing the deck building industry.



DO IT ONCE,  
**DO IT RIGHT,**  
DO IT OUT OF SIGHT!®



AMERICAN COMPANY AMERICAN TRADITION  
TRADITION AMERICAN PRIDE AMERICAN  
AMERICAN COMPANY AMERICAN TRADITION  
TRADITION AMERICAN PRIDE AMERICAN  
COMPANY AMERICAN TRADITION  
AMERICAN PRIDE AMERICAN COMPANY  
PANY AMERICAN TRADITION AMERICAN  
CAN PRIDE COMPANY AMERICAN  
AMERICAN PRIDE COMPANY AMERICAN  
ION AMERICAN PRIDE COMPANY AMERICAN TRADITION

## ACCEPT THE EXCEPTIONAL™

At DeckWise®, we understand there are countless hardwood deck building products available on the market and material options can be overwhelming. That's why DeckWise® backs the products we manufacture with patents, warranties and a guarantee that our products were developed to perform exceptionally, and exactly, even under the most stressful climates.

# TABLE OF CONTENTS

Call **866-427-2547**  
for ordering

DeckWise® Ipe Clip® Hidden Deck Fasteners .....	6
DeckWise® Ipe Clip® Hidden Deck Fasteners Contractor Buckets .....	8
DeckWise® #8 Trim-Head Deck Screws .....	10
DeckWise® #10 Bugle-Head All Purpose Screws.....	12
DeckWise® #8 Heat-Treated Deck Screws.....	14
DeckWise® #7 Metal Joist Self-Tapping Screws .....	16
DeckWise® #10 Composite Decking Screws .....	18
DeckWise® Hardwood Plugs (Smooth & Ribbed) .....	20
DeckWise® Ipe Oil® Hardwood Finish.....	22
DeckWise® WiseCoat® Premium Wood Sealer.....	23
DeckWise® Ipe Seal® End Grain Seal.....	24
DeckWise® Wood Deck Cleaner & Brightener .....	25
DeckWise® Hidden Siding Fasteners.....	26
DeckWise® Hardwood Deck Tiles .....	28
DeckWise® Deck Tile Connector System .....	30
DeckWise® Altitudes Pedestal® System .....	32
DeckWise® Drill&Drive™ 3-In-1 Drill Bit Set .....	34
DeckWise® Hardwood Wrench™ Deck Board Straightening Tool.....	36
DeckWise® WiseCable® WiseRail® Stainless Steel Railing Kits.....	38
DeckWise® WiseGuides® Deck Board Spacers.....	40
DeckWise® WiseWrap® JoistTape™ & LedgerTape® Deck Flashing.....	41
DeckWise® Router Bits.....	42
DeckWise® Drill Bits, Tips, Adhesive & Plug Cutters .....	43
DeckWise® Hardwood Post Caps & Adhesives .....	43

**NOTE:** Product colors, measurements, specifications and dimensions in catalog are approximate. Call for samples prior to ordering to ensure accuracy.

## CUSTOM CO-BRANDING

Programs available for dealers & distributors on select DeckWise® decking products.

Call **866-427-2547** for complete details.

YOUR **COMPANY** HERE!



# HIDDEN DECK FASTENERS

Manufactured By DeckWise®

# Ipe Clip®

Hidden Deck Fasteners



The DeckWise® Ipe Clip® **EXTREME®** Hidden Deck Fastener line features a hardened stainless steel insert with a black oxide coating. The insert is molded inside the fastener for the ultimate

concealed look with supreme reinforcing hold-down strength.

Every hardwood deck built with the DeckWise® Ipe Clip® EXTREME® hidden deck fastener series will produce a smooth, beautiful and longer-lasting deck for generations to come.



Available in our **3 SIGNATURE COLORS** to match your decking.



Shadowline Black • Hardwood Brown • Composite Gray

## COMPLETE KIT CONTAINS

- (175) Ipe Clip® Hidden Deck Fasteners
- (190) Stainless Steel Star Drive Deck Screws
- (12) 3/8" Tapered Ipe Plugs
- (1) 1/8" High Speed Drill Bit
- (1) T15 Star Drive Tip
- (3) Deck Board Spacers\*
- (1) Instruction Sheet

## 100 CT. KIT CONTAINS

- (100) Ipe Clip® Hidden Deck Fasteners
- (100) Stainless Steel Star Drive Deck Screws
- (1) Instruction Sheet

Deck Screws can be ordered in multiple sizes, types and colors depending on your decking application.

\*Deck board spacers are included in EXTREME4® and EXTREMEKD® kits only.

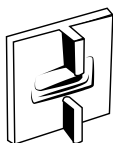
Use With Exotic Hardwoods, Composite Decking, & Thermally Modified Woods!

# EXTREME®

Gap Spacing 3/32" (2,4mm)



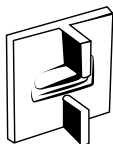
Recommended for use with:  
**Air-Dried Lumber  
& Composites**



Hardened stainless steel insert with a black oxide coating inside rigid UV and chemical-resistant polypropylene.

Thinner leg maintains a perfect gap when deck material naturally contracts and expands.

Short leg height = .242" (6,14 mm)  
Tall leg height = .375" (9,525 mm)

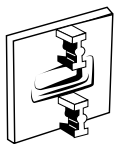


# EXTREME4®

Gap Spacing 5/32" (4mm)



Recommended for use with:  
**Air-Dried, Kiln-Dried  
Lumber, & Composites**



Hardened stainless steel insert with a black oxide coating inside UV and chemical-resistant polyethylene.

Versatile leg is compatible with most decking materials. Leg returns to it's original shape as decking material expands and contracts.

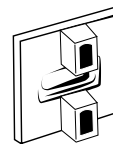
Leg height = .242" (6,14 mm)

# EXTREMEKD®

Gap Spacing 1/4" (6,4mm)



Recommended for use with:  
**Kiln-Dried Lumber,  
Composites, & PVC**



Hardened stainless steel insert with a black oxide coating inside UV and chemical-resistant polyethylene.

Hollow leg acts as a shock absorber as decking material expands and contracts.

Leg height = .242" (6,14 mm)

EXTREME® Ipe Clip® Series - U.S. Patent Numbers 8,464,488 and 8,806,829. Original, "round", STANDARD Ipe Clip® - U.S. Patent No. D470,039. EXTREMEKD® and EXTREME4® Licensed under U.S. Patent Nos. 7,874,113 and 8,161,702 Patent.

# CONTRACTOR BUCKETS

2 & 5 GALLONS

Manufactured By DeckWise®

Use with exotic **HARDWOODS**,  
**THERMALLY MODIFIED WOODS** &  
**COMPOSITE DECKING.**

The **CONTRACTOR BUCKETS** from DeckWise® were designed with professional contractors in mind. Containing enough Ipe Clip® fasteners, deck screws and accessories for the largest decking projects; everything deck builders need to get the job done.

DeckWise® Contractor Buckets are available in both 525 and 1050 quantity containers.



## 2 Gal. Contractor Bucket

- (525) Ipe Clip® Hidden Deck Fasteners
- (570) #8x2" Colormatch Black Stainless Steel Star Drive Trim-Head Deck Screws
- (3) 1/8" High Speed Drill Bit
- (3) T15 Star Drive Tip
- (6) Deck Board Spacers\*
- (1) Instruction Sheet

## 5 Gal. Contractor Bucket

- (1050) Ipe Clip® Hidden Deck Fasteners
- (1140) #8x2" Colormatch Black Stainless Steel Star Drive Trim-Head Deck Screws
- (5) 1/8" High Speed Drill Bit
- (5) T15 Star Drive Tip
- (6) Deck Board Spacers\*
- (1) Instruction Sheet

\*Deck Board Spacers are included in EXTREME4® and EXTREMEKD® buckets only.



DeckWise® Ipe Clip®  
Limited Warranty



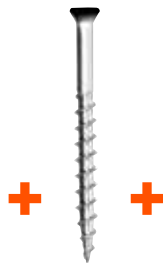
# Ipe Clip®

Hidden Deck Fasteners



EXTREME® EXTREME4® EXTREMEKD®

(Page 6-7)



#8x2" Black  
Colormatch  
Stainless Steel  
Deck Screws

(Page 10-11)



Deck Board  
Spacers 5/32"

OR

Deck Board  
Spacers 1/4"

(Page 40)



T15 Star  
Drive Tip

(Page 43)



1/8"  
Drill Bit



2 Gal. Contractor Bucket



5 Gal. Contractor Bucket

# STAINLESS STEEL TRIM-HEAD DECK SCREWS

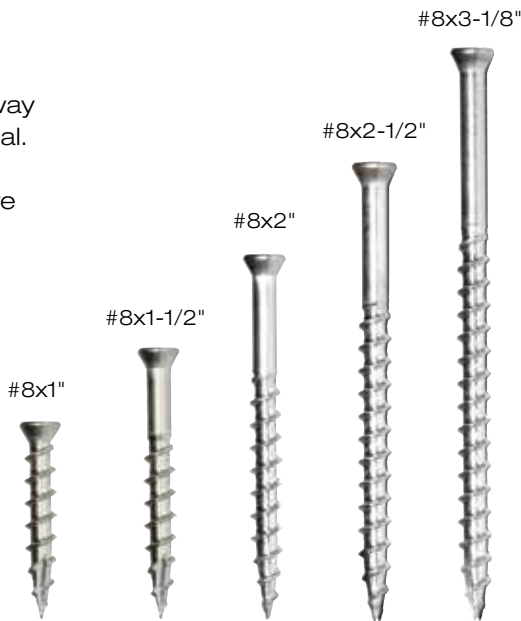
Distributed By DeckWise®

**#8 STAINLESS STEEL  
DECK SCREWS**  
For hardwoods & thermally  
modified woods.

Builders know the DeckWise® brand of stainless steel **TRIM-HEAD** deck screws are a great way to ensure deck boards stick tight to joists with hidden deck fasteners. As part of the DeckWise® line of deck building products, our Colormatch screws give builders and DIY homeowners a reliable and secure way to fasten most types of decking material. From exotic hardwoods to thermally modified woods and composites, we've got you covered.



- 305 grade stainless steel provides anti-corrosion benefits (Also available in 316 marine grade stainless steel. Call for availability.)
- T15 Star Drive finish heads for less stripping
- Type 17 auger tip for easy penetration





Hidden Deck Fastening  
Exotic Hardwoods



Face Screw Exotic Hardwoods  
& Thermally Modified Woods



Hidden Deck Fastening  
Thermally Modified Woods

 Shadowline Black

 Hardwood Brown

 Stainless Steel

 Cedar

 Rosy Brown

 Outdoor Gray



Sizes Available	100 count	350 count	1050 count	1750 count
#8x1" (4x25mm)	✓	✓	✓	✓
#8x1-1/2" (4x38mm)	✓	✓	✓	✓
#8x2" (4x50mm)	✓	✓	✓	✓
#8x2-1/2" (4x64mm)	✓	✓	✓	✓
#8x3-1/8" (4x79mm)	✓	✓	✓	✓

Colormatch your #8 deck screws to your decking material with 6 signature color choices.

# STAINLESS STEEL BUGLE-HEAD DECK SCREWS

Distributed By DeckWise®

**#10 STAINLESS STEEL  
DECK SCREWS**  
For all types of deck building needs.

The DeckWise® **BUGLE HEAD T25** stainless steel decking screws are perfect for any patio or deck project including many framing projects. The double countersink flat bugle head has 6 nibs and utilizes a 6 lobe T25 star drive to reduce cam-out and increase torque. This screw is a chipboard thread screw with partial thread and triple spline (one at the beginning on the

thread and two at the end of point). Easily penetrate dense hardwoods with the Type 17 point.

DeckWise® Colormatch #10 decking screws are made from high-quality 305 grade stainless steel for optimum performance with hardwoods, thermally modified woods, as well as composite decking material.

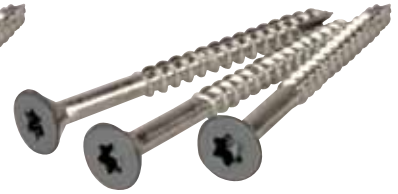
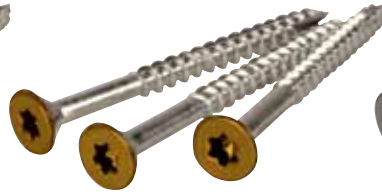
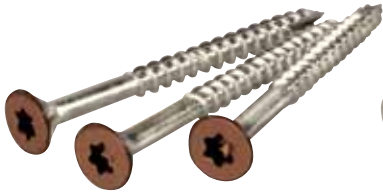
- 305 grade stainless steel for optimum anti-corrosion performance (Also available in 316 marine grade stainless steel. Call for availability.)
- T25 Star Drive finish heads
- Type 17 Auger tip for quick installation

#10x3-1/8"



#10x2-1/2"





 Hardwood Brown

 Stainless Steel

 Cedar

 Outdoor Gray



Sizes Available	100 count	350 count	1050 count	1750 count
#10x2-1/2" (5x64mm)	✓	✓	✓	✓
#10x3-1/8" (5x79mm)	✓	✓	✓	✓

Colormatch your #10 deck screws to match decking material with 4 signature color choices.

# STAINLESS STEEL HEAT-TREATED DECK SCREWS

Distributed By DeckWise®

## #8 STAINLESS STEEL DECK SCREWS

Heat-treated for toughness.

The **DECKWISE® HTSS™** (Heat-Treated Stainless Steel) deck screws offer our specially engineered four-sided tips with a serrated thread design to minimize board splitting or splintering, even when screwing near the edge.

Our HTSS™ screws are an 18-8 heat treated screw for hardened toughness and feature the patented **ttap®** T15 Star Drive head with locking nib. This means, less stripping, less snapping and less headaches when installing hidden deck fasteners, hidden siding fasteners or face screwing.

This screw design has been engineered exclusively for DeckWise® to make hidden fastener installations quicker than ever.

#8x1-3/4" & #8x2"



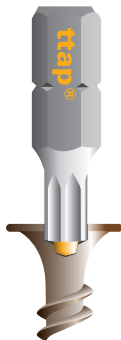
- **ttap®** T15 Star Drive head for less slipping
- Heat treated for hardened toughness
- Serrated saw threads remove sawdust
- Four sided tip for self-drilling



\* **ttap®** is a registered trademark of Ttapdrive AS

**DECKWISE® HTSS™** are heat treated for toughness and longevity on exotic or thermal wood decking. We suggest using the DeckWise® Drill&Drive™ drill bit set which comes with 1/8" bits, T15 tips and a 3/8" countersink.

NOTE: Pre-drilling is always suggested for quick installations of fasteners including countersinking for screw heads.



**ttap®** *feel the difference™*  
patented



Locking bit to eliminate slipping.

Use in conjunction with the DeckWise® Drill&Drive™.



Sizes Available	100 count	350 count	1050 count	1750 count
#8x1-3/4" (4x45mm)	✓	✓	✓	✓
#8x2" (4x50mm)	✓	✓	✓	✓

DeckWise® HTSS™ deck screws are available as an option in all Ipe Clip® Hidden Deck Fastener Kits.



# STAINLESS STEEL METAL JOIST DECK SCREWS

Distributed By DeckWise®

**#7 STAINLESS STEEL  
DECK SCREWS**  
Use on stainless steel  
and sub-framing.



More and more these days, contractors, architects and DIY deck builders are utilizing metal joist substructures to ensure longer-lasting, lower maintenance decks. The DeckWise® **SELF-TAPPING METAL JOIST DECK SCREW** is designed explicitly for metal joist applications.

This handy deck screw can be used to attach most types of decking material such as hardwoods, heat treated lumber, soft woods, composite and PVC with aluminum and steel substructures.

The self-tapping tip will penetrate metal joists underneath with ease. DeckWise® metal joist deck screws are high performance fasteners, which allow deck builders and architects to provide their customers with uniform and long-lasting clean surfaces when used with our Hidden Deck Fasteners.







## STAR RECESS & UNDERCUT HEAD

Deep T-15 star tip recess; specially engineered head which eliminates slipping and stripped heads.

## TRIPLE STRENGTH CORROSION RESISTANCE

410 stainless steel + Xylan coating + Bright hardening.

## SELF-TAPPING POINT

#3 drill point digs into decking material with ease and cleanly penetrates the underlaying steel or aluminum joists.



Shadowline Black • Hardwood Brown • Stainless Steel

Colormatch these #7 deck screws to match decking material with 3 signature color choices.

Sizes Available	100 count	350 count	1050 count	1750 count
#7x1-5/8" (3.9x41mm)	✓	✓	✓	✓
#7x2-1/4" (3.9x57mm)	✓	✓	✓	✓

DeckWise® Metal Joist Deck Screws are available as an option in all DeckWise® Hidden Deck Fastener Kits.

# STAINLESS STEEL COMPOSITE DECK SCREWS

Distributed By DeckWise®

Sizes Available    100 count    350 count    1050 count    1750 count

#10x2-1/2" (5x64mm)



Hardwood Brown

Rosy Brown

Cedar

Composite Grey

Composite Sand



Our **305 GRADE COMPOSITE SCREWS** are made to the same high standards as the DeckWise® products you've come to trust. These #10 x 2-1/2" screws are made of strong, corrosion-resistant stainless steel. Painted heads, in your choice of Hardwood Brown, Rosy Brown, Cedar, Composite Gray, or Composite Sand match the most popular colors of composite decking. The advanced auger point and thread design means

these screws perform the way you need it to, ensuring the highest quality deck building results.

These composite deck screws come with a T20 star drive and reverse threads directly below the head which, eliminates unsightly "mushrooming" of the composite decking during installation. Dual threads further compress fibers and pull deck boards tight to the joist. All done effortlessly without the need for pre-drilling or countersinking.



#10x2-1/2"



Hardwood Brown



Rosy Brown



Cedar



Composite Gray



Composite Sand



- T-20 drive delivers plenty of torque without stripping out the heads
- Head designed to eliminate mushrooming or marring of deck surfaces
- These flutes grab the board and hold it tight to the joist
- Middle threads compress fibers deep in the hole, further helping to reduce mushrooming
- Lower threads grab the joist to additionally hold the board tight to the joist
- Sharp Type 17 auger point cuts fast and clean without splintering or splitting

5 color choices to match the most popular colors of composite decking.

# HARDWOOD PLUG KIT COMPLETE SYSTEM

Manufactured By DeckWise®

DeckWise® **HARDWOOD PLUGS** help ensure a truly smooth, flat deck surface.

## HARDWOOD PLUGS SMOOTH

A tapered design makes installation smooth and easy. Available in four different hardwood species to match your decking.



Sizes Available

Cumaru

Tigerwood

Ipe

Massaranduba

3/8" (9,5mm)

✓

✓

✓

✓

## EXTREME PLUGS® RIBBED

Most holes are not drilled perfectly round because a hand held drill wobbles during use creating an oblong hole. The EXTREME PLUGS® tolerance-absorbing rings around the diameter snugly fill oblong holes and provide more surface area for glue to hold tight.



Patent pending.



Sizes Available

Cumaru

Tigerwood

Garapa

Ipe

Massaranduba

3/8" (9,5mm)

✓

✓

✓

✓

✓

10mm

✓

✓

✓

✓

✓

12mm

✓

✓

✓

✓

✓

Custom sizes available for our **HARDWOOD & EXTREME PLUGS®**.  
Ask an associate for details, pricing, and minimum quantities.



When hidden deck fastening is NOT the preferred choice, we have the perfect complete hardwood plug kit for face screwing on the market. Our **Master Plug Kit** solves the problem by including your choice of four hardwood plug specie (smooth only) including a leading brand of wood glue in every kit. The DeckWise® Master Plug Kit fills in the gap where other so-called “complete wood plug kits” leave open.

Finally, builders have the all-in-one system they've been asking for.

## MASTER PLUG KIT

- 350 ct. or 1,050 ct. Hardwood Plugs
- 350 ct. or 1,050 ct. DeckWise® #8x2" 305 grade Stainless Steel Screws
- 1 Complete Drill&Drive™ 3-in-1 Drill Bit Set
- 4 oz. Bottle Of Gorilla Glue®
- Substitute screw options available. Call DeckWise® for a quote.

PLUGS AVAILABLE IN  
100, 350, 1050, & 1750 COUNTS



# HARDWOOD DECK OIL NATURAL FINISH

Distributed By DeckWise®

# Ipe Oil®

Hardwood Deck Finish

100 VOC & 250 VOC  
formulas available!

## HARDWOOD PROTECTION

### IPE OIL® HARDWOOD DECK FINISH

is an oil-based natural wood finish specifically designed for use on exterior hardwood decks and hardwood siding. Ipe Oil® Hardwood Deck Finish provides excellent penetration on the most dense of hardwoods with minimal raising of

the grain. It protects and conditions the wood while maintaining a completely natural appearance. Ipe Oil® Hardwood Deck Finish is formulated for use on exterior hardwood to enhance the wood's natural beauty resulting in an exceptional outcome.

## PROVIDES:

- Exceptional Penetration
- Natural Grain Enhancement
- Water Repellency
- UV Barrier Protection
- Reduces Chances of Warps & Cracks

## APPLICATIONS:

- Hardwood Decks
- Fences
- Hardwood Siding
- Wood Railings
- Outdoor Furniture
- All Exterior Wood Surfaces

1 US Gallon Covers Approx.  
250-300 sq. ft. (23-27m<sup>2</sup>)



**RESTRICTED:** Ipe Oil® 250 VOC can NOT be shipped to California areas including but not limited to LA SCAQMD.

# 1

SCRUB CLEAN & LET DRY

# 2

APPLY IPE OIL®

# 3

WIPE OFF EXCESS

# WISECOAT®

Hardwood Deck, Siding & Fence Sealer



1 US Gallon Covers Approx.  
250-300 sq. ft. (23-27m<sup>2</sup>)

DeckWise® **WISECOAT® PREMIUM WOOD SEALER** is a low VOC non-toxic waterproofer and sealer designed for use on hardwood decking and siding surfaces. This water-based formula utilizes proprietary nanotechnology to create a long-lasting breathable barrier against caustic weather conditions. By coating the wood fibers down at the cellular level, WiseCoat® provides protection from the inside out preventing cracking and splitting of the wood.

- Low 53 g/l VOC
- Prevents water intrusion
- Non-toxic & non-flammable
- Eco-friendly
- Enhances wood stability
- Prevents the effects of mold and mildew
- Water based and odorless
- Will not harm pets, plants, & people
- Easy clean up with soap & water

## APPLICATIONS:

- Decks
- Fences
- Siding
- Outdoor Furniture
- Docks
- Shake Roofs
- Railings
- Timber Framing
- Play Sets

The unique formula absorbs deeply, inhibiting water intrusion by penetrating the hardwood surface to protect and stabilize the wood. WiseCoat® helps prevent the damaging effects of mold and mildew, dry rot, peeling, cupping of wood. As a non-film forming water-based sealer, it allows exotic and thermally modified hardwoods to age naturally without decay. WiseCoat® includes a semi-transparent tint that functions as a UV blocker to prevent the hardwood from graying while enhancing the natural grain and texture.

# HARDWOOD END GRAIN PROTECTION

Distributed By DeckWise®

# Ipe Seal®

Hardwood End Grain Sealer

**IPE SEAL®** is a wax emulsion sealant proven to increase the structural integrity of hardwood lumber. Designed to prevent end checking (drying splits) in freshly sawn logs, lumber, turning blanks, and other exposed wood end grain. Ipe Seal® creates a bond

that extends the life of each deck board.

**NOTE:** Due to differences in wood species, variations in climatic conditions, and individual usage methods; results are NOT guaranteed.



Ensure your **LUMBER** is  
**PROTECTED** from an early stage!

Untreated End-Cut



Treated with Ipe Seal®

**DO NOT** apply to walking surfaces, this sealer is very slippery.

## LUMBERYARD PROTECTION

DeckWise® has made it easier for lumber mills and yards to protect their wood inventory. Ipe Seal® is now packaged in a heavy duty 5 gallon plastic pail with a pour spout for easy filling.

Don't let your investment in exotic woods or thermally treated lumber disappear with unsightly end checking and splitting. Utilize this 5 gallon bucket for unmatched protection against the weather.



# HARDWOOD CLEANER & BRIGHTENER

Distributed By DeckWise®

## Product Applications:

- Hardwood Decks
- Hardwood Siding
- Fences
- Wood Railings
- Outdoor Furniture
- All Exterior Wood Surfaces

When it comes to building with hardwoods, we want long-lasting results. We want the natural wood color to show. However with time, wood gets dirty, mildew infested and loses its luster and natural hardwood appeal.

DeckWise® **WOOD CLEANER** and **WOOD BRIGHTENER** remove dirt and graying in preparation for re-oiling and applying finishes such as Ipe Oil®.

These concentrated powders are formulated specially to cleanse and brighten exterior hardwoods safely.



32 oz. (900g)  
Smooth Wood: 1000 sq. ft. (92 m<sup>2</sup>)

## PRODUCT INFORMATION

- Cleans and brightens outdoor/exterior wood and removes dirt and graying
- Outstanding for all exterior hardwood maintenance
- Always clean before oiling and finish staining of wood surfaces
- Concentrated powders provide maximum strength
- Biodegradable, easy to handle and safe



16 oz. (450g)  
Smooth Wood: 500 sq. ft. (46 m<sup>2</sup>)

For warranty information visit [www.DeckWise.com/Warranty](http://www.DeckWise.com/Warranty) and for installation video visit [www.DeckWise.com/Videos](http://www.DeckWise.com/Videos).

[www.DeckWise.com](http://www.DeckWise.com)

# STAINLESS STEEL HIDDEN SIDING FASTENERS

Manufactured By DeckWise®

Install hardwood siding with  
**NO VISIBLE** fasteners  
on the surface.

Crafted from solid 304 Grade stainless steel, DeckWise® **HIDDEN SIDING FASTENERS** create a smooth, sleek and upscale look. The entire system is designed to significantly reduce cupping, twisting, and mold growth due to water penetration. The DeckWise® Hidden Siding Fastener system is perfect for both residential and commercial applications.



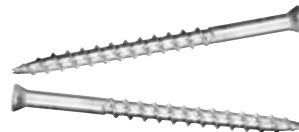
Hidden Siding Fasteners:	50 count	175 count	300 count	1050 count
Starter Clips	-	12	20	64
#8x2" Screws	50	190	325	1130
T15 Tip(s)	1	1	2	3



DeckWise®  
Starter Clips



DeckWise®  
Hidden Siding Fasteners  
U.S. Patent Number D663,612S



#8x2" Stainless Steel  
Trim-Head Screws



T15 Driver Tip

Fasten with  
#8x2" DeckWise®  
Stainless Steel  
Deck Screws

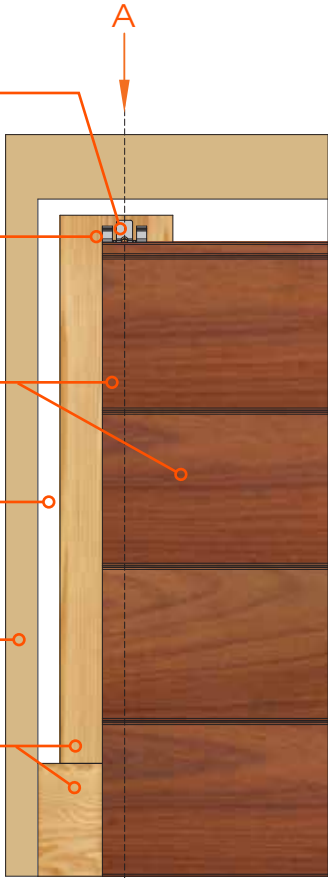
DeckWise® Hidden  
Siding Fastener

Hardwood Siding

House Wrap

1/2" Plywood  
Wall Sheathing

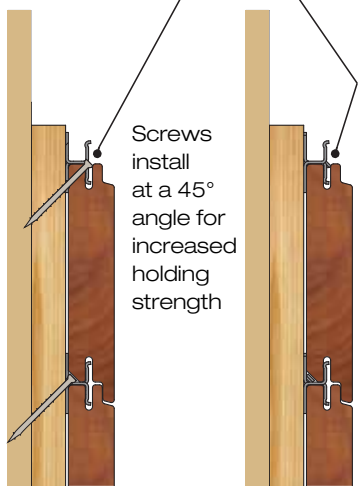
1" x 4" Pressure  
Treated Furring Strips



SECTION A-A

With the secondary affixing screw hole, hanging siding vertically, angular and overhead is a breeze with no worries of loose boards. This location of the screw penetrates the siding board and secures it to the underlying furring and substructure allowing all types of new and creative designs to become reality!

Screw location if hanging  
siding on the vertical,  
angular, or overhead



Secondary screw hole



DeckWise® Hidden  
Siding Fastener



DeckWise®  
Starter Clips



# BRAZILIAN DECK TILE HARDWOOD

Manufactured By DeckWise®

# WiseTile®

YOUR OUTDOOR HARDWOOD FLOOR™



LUXURIOUS.  
LONG-LASTING.  
EXCEPTIONAL VALUE.

WiseTile® **HARDWOOD DECK TILES** are modular solid Brazilian hardwood tiles that will transform any horizontal surface such as a balcony, an unsightly cracked concrete slab, outdoor shower, rooftop, pool/spa area or even an existing deck into a modern, elegant living space. WiseTile® Hardwood Deck Tiles offer homeowners and professionals affordable, semi-permanent decking that is quick and easy to install.

WiseTile® **HARDWOOD DECK TILES** are  
renewable & responsibly harvested from  
sustainable well-managed forests.

Available Deck Tiles	<b>NEW!</b>		
	12" x 12"	20" x 20"	24" x 24"
Ipe	✓	✓	✓
Tigerwood	✓	✓	✓
Cumarú	✓	✓	✓
Massaranduba	✓	✓	✓

12" x 12" WiseTile® Hardwood Deck Tiles now available in  
IPE, TIGERWOOD, CUMARU and MASSARANDUBA.



**IPE** (pronounced "ee-pay") is valued for its toughness, strength, and natural resistance to decay, fungus, and pest infestation. Ipe wood is a beautiful rich brown with reddish and amber hues.

**CUMARU** denseness is comparable to Ipe. Its even, golden brown coloring and moderate price make it an appealing alternate to most high priced hardwoods.

**MASSARANDUBA** is actually 2X more durable than California Redwood. Massaranduba tiles focus on one thing... a breathtaking velvety red appearance.

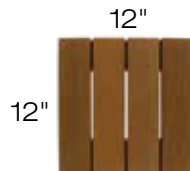
**TIGERWOOD** has superb hardness and durability, but is best known for its unique color. Deep red and golden brown hues with dramatic dark brown and black streaks give it an exotic look.

## VERSATILE & CONVENIENT!

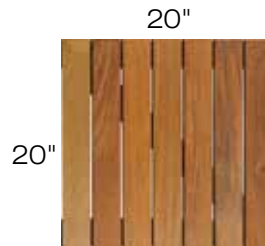
- Quick, easy installs
- Semi-permanent decking
- Low maintenance
- Extremely durable
- 100% natural, chemical-free hardwood



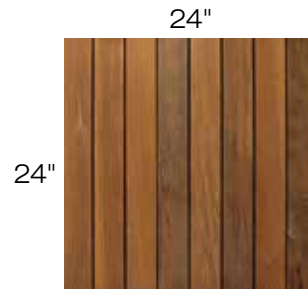
### Deck Tile Size Availability



Thickness: 1.69"  
 Net Finished Dimensions:  
 1.69" x 11.69" x 11.69"



Thickness: 1.18"  
 Net Finished Dimensions:  
 1.18" x 19.63" x 19.63"



Thickness: 1.69"  
 Net Finished Dimensions:  
 1.69" x 23.875" x 23.875"

# HARDWOOD DECK TILE CONNECTORS

Manufactured By DeckWise®

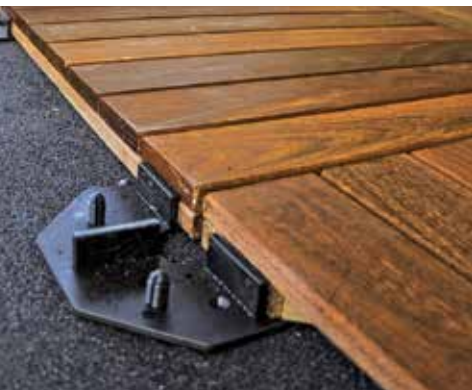
With the DeckWise® **DECK TILE CONNECTOR SYSTEM**, you never need to worry about loose or uneven gaps between tiles. Each patented connector comes with a 3/16" spacer for perfect spacing between every deck tile.

The Deck Tile Connectors have pre-drilled countersink holes ready for fastening to any existing surface or substructure.



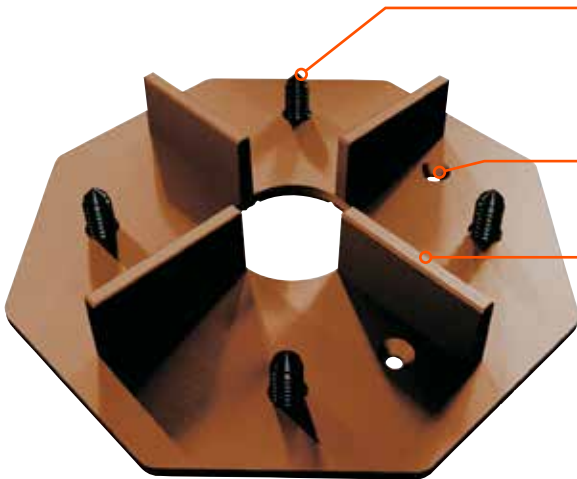
Shadowline Black • Hardwood Brown • Concrete Gray

Available in our **3 SIGNATURE COLORS** to help ensure a truly smooth, flat deck surface.



During installation, use the entire connector; use halves or quartered tile connectors on hidden and exposed edges including corners. Use the edge of the spacer to provide a gap between your new tiled deck and any adjacent structure such as a house, fence, or wall.

Simply score the connector using a utility knife along the molded grooves that mark the edges of the built-in spacers. Bend the edges downward to snap the connector in half. Repeat the same process to use a quarter of the connector to install on the corners of a deck tile layout.



U.S. Patent Number D665,657

- Corner pins secure tile placement
- Elevates the deck tile from wet underlying subsurfaces to help prevent wood rot
- Chemical & UV resistant polyethylene
- Pre-drilled countersunk holes for easy fastening into a concrete slab or any substructure
- Preset 3/16" gap spacing for even gaps between all connecting deck tiles
- Can be divided into halves or quarters easily with cutting tools using the molded score lines
- Center drain hole provides improved drainage for water runoff to prevent pooling in the corners
- Matte texture provides better appearance between gaps



# DECK TILE PEDESTAL ELEVATION SYSTEM

Manufactured By DeckWise®

## ALTITUDES PEDESTAL® FOR HARDWOOD DECK TILES

The DeckWise® **ALTITUDES PEDESTAL® SYSTEM** has been engineered to build perfectly horizontal decking over underutilized spaces such as sloped rooftops and plaza areas. The Altitudes Pedestal® System enables anyone to easily and quickly build an all-natural hardwood deck surface by elevating 24" x 24" modular hardwood deck tiles over uneven concrete, rooftops, plazas, or walkways. Install deck tiles on sloped or uneven rooftops to hide pipes, cabling, drains or service ducts without the need to construct extensive sub-framing. Build luxurious decking where it was once impossible into a gorgeous

family or party area to enjoy for years to come.

Pedestal systems utilize a head, a base and Schedule 40 PVC pipe to make installations simple for multiple height accommodations (up to 24 inches at their maximum safe height).

## APPLICATIONS

- Rooftops
- Balconies
- Walkways
- Patios
- Verandas
- Resurface existing decks
- Use over uneven concrete



**Schedule 40 PVC Plain End**  
4" x 2ft.



Convenient pre-cut PVC can be ordered and shipped to make pedestal installations much quicker with less headaches.

Pre-cut pieces measure 4" in diameter and are 24" long to allow for maximum pedestal heights as well and multiple smaller PVC support heights for an efficient installation.

Orders can range from single pieces or by the case.

**CALL FOR AVAILABILITY**  
**866-427-2547**



# 3 MODELS AVAILABLE FOR VARIOUS SLOPE COMPENSATION



## Lockit Down Washer®

The Lockit Down Washer® fits into the corner kerf cut slots of each installed deck tile which in turn, lock and hold hardwood deck tiles to the pedestal head. Deck tiles are also secured to the pedestal with pine tree fasteners, rated up to 166 lbs. of wind hold-down strength.

*Patented technology*

**SJB-4156**  
SCREW-TO-ADJUST PEDESTAL  
**4-5/32" MIN.**

- Screw Jack Base
- Self-leveling head
- Slopes from 0%-5%
- Max height 24"

**SPVC-2656**  
STATIONARY PEDESTAL  
**2-21/32" MIN.**

- Stationary Base
- Self-leveling head
- Slopes from 0%-5%
- Max height 24"

**SPVC-15**  
STATIONARY PEDESTAL  
**1-1/2" MIN.**

- Stationary Base
- Flat head (non-adjustable)
- Short installations
- Max height 24"

Limited Warranty. U.S. Patent Numbers D728,185, D738,589, 9,556,621, and 9,803,377. Other patents pending.

Each Altitudes Pedestal® System Head and Base has drainage holes and channels for water; are exceptionally stable using 4" PVC Schedule 40 Plain End Pipe; and are impervious to freeze-thaw cycles due to the use of 20% Talc added to their polypropylene resin make up. Pedestals are warranted up to 1,200 lbs. of load. For complete Lab testing results go to [www.deckwise.com/pedestal/testing](http://www.deckwise.com/pedestal/testing)

# 3-IN-1 DECK BUILDING DRILL BIT SET

Distributed By DeckWise®

# DRILL & DRIVE™



Deck builders quickly realize how much faster and more productive deck installations become once they start using the DeckWise® **Drill&Drive™**

drill bit set. For DIY homeowners and contractors, the Drill&Drive™ system can be used for more than deck building. Its utility makes it the perfect solution for complete deck builds, touch-up jobs, or home renovation projects.

Use with exotic **HARDWOODS, THERMALLY MODIFIED WOODS, & COMPOSITE DECKING.**

## Every Drill&Drive™ Kit Includes:

- 1 Quick Change Locking Collar
- 2 1/8" High-speed Drill Bit & 3/8" Countersink Tool with T15 Star Drive Tip
- 3 1/8" Drill Bit & 3/8" Countersink
- 4
- 5
- 6 On-board Hex Key
- 7
- 8
- 9
- 10 T15 Star Drive Tip





## DRILL

The DeckWise® **DRILL&DRIVE™** is a 3-in-1 drill bit set that allows builders to pre-drill, countersink, then flip the bit insert to quickly drive a stainless steel screw into hidden deck fasteners or siding fasteners.

The whole process is up to 3X faster and more efficient than standard drilling, changing bits and driving screws with a separate bit.



## FLIP



Adjustable pilot hole and counter-sink drill bit system

Use to **COUNTERSINK** face screws or for **DRILLING PLUG HOLES** with pilot holes all in one step.



## DRIVE



Locking set screws



### \*Replacement Tips

T15 Star Drive Tip

### \*Replacement Bits

1/8" (3.175 mm) Drill Bit  
& 3/8" (9.525 mm) Countersink

\*Sold Separately

# HARDWOOD BOARD STRAIGHTENING

Manufactured By DeckWise®

# HARDWOOD™ WRENCH

One-Man, One Hand Installation.®

The **HARDWOOD WRENCH™** is the most advanced board straightening tool ever created. Install hidden deck fasteners or hidden siding fasteners with the original cam-locking tool. This is true “One-Man, One-Hand Installation.®” With a pushing force close to 1100 lbs., the Hardwood Wrench™ gives you up to 8X more bending

power over other hardwood board straightening tools.

An ergonomic handle and solid stainless steel joist pins give you the ability to straighten boards from both left or right hand directions. This is very useful when installers need to straighten a board on the outside of framing or in hard to reach areas.



## EXPANDABLE & REVERSIBLE

Works with single or double joists up to 3.75" wide and all types of decking, including pre-grooved or standard lumber, composites, and thermally modified woods. The reversible handle accommodates multi-directional installation needs.



## VERSATILE DESIGN

The knurled joist pins and handle of the Hardwood Wrench™ are interchangeable and will grab furring strips for hardwood siding. Straighten boards in up to 10 different configurations.

The reversible handle and joist pins can be set for **DECKING** or **SIDING**.

# 1

Position The **HARDWOOD WRENCH™** On The Joist.

# 2

Rotate Handle To Straighten Bowed Boards.

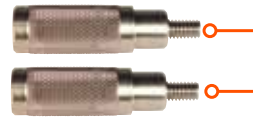
# 3

Cam Locks In Place, Holding Boards Straight.

**1 + 10 + 1100** LBS. = **THE ULTIMATE**  
TOOL CONFIGURATIONS BENDING FORCE DECK BOARD STRAIGHTENER

**LOCKING CAM** holds boards in place while fasteners are installed.

Knurled Stainless Steel Joist Pins For Increased Gripping



Adjustable Stainless Steel Joist Pins For Use On Up To 3.75" Joists

Hard-Anodized Aircraft Grade Aluminum

Solid American Ash Handle

Stainless Steel Multi-Position Handle



The Hardwood Wrench™ tool is easy to operate by a single installer with many benefits over other methods of straightening hardwood boards. Just a simple swing of the Hardwood Wrench™ handle and it bends an extremely bowed hardwood board as straight as an arrow.

Patent Numbers: US 8,936,054; D623,913; EP 2,387,648; DE202010001036.5; UK 2,469,964; AU 2010210940; CA 2,749,643. Other U.S. and International patents pending.

# STAINLESS STEEL DECK CABLE PRE-ASSEMBLED KITS

Distributed By DeckWise®

# WiseRail®

Decks are constructed in all sizes and shapes. However, there are only a handful of cable runs that can go on those decks; inside-of-post to inside-of-post, inside-of-post to outside-of-post, and outside-of-post to outside-of-post. The DeckWise® **WISERAIL® WISECABLE®** kits allow several methods to run cable on any deck.

Every kit is designed to create an unobstructed view and is an attractive addition to any hardwood or wood deck project. Our invisible hardware hides inside the end

posts so you can't see them. The DeckWise® WiseRail® Ready-To-Install Kits come pre-packaged with high quality stainless steel cable and sleek stainless steel hardware fittings.

These cable railing kits are easy to install and can be utilized for both outdoor and indoor residential and commercial applications. For DIY enthusiasts, DeckWise® offers these pre-assembled cable railing kits for wood posts in lengths from 5 feet up to 50 feet.



{ **WISECABLE® RAILING KITS** offer flexibility and strength for a sleek, unobstructed deck view. }

Kit Series	Model#	Straight Run	Stairs
WiseCable® Legacy	WC-LS	✓	
WiseCable® Legacy Stairs	WC-LSS		✓
WiseCable® Estate	WC-ES	✓	✓
WiseCable® Heritage	WC-HS	✓	✓

All kits are sold for wood posts as straight runs or for stairs.

## KIT COMBINATIONS

FOR STRAIGHT RUNS



WiseRail® Estate Cable Rail Kit WC-ES



WiseRail® Legacy Cable Rail Kit WC-LS



WiseRail® Heritage Cable Rail Kit WC-HS

## KIT COMBINATIONS

FOR PITCHED RUNS



WiseRail® Estate Cable Rail Kit  
WC-ES w/Post Protector Tubes\*



WiseRail® Legacy Cable Rail Kit  
WC-LSS



WiseRail® Heritage Cable Rail Kit  
WC-HS w/Post Protector Tubes\*

\*Post Protector Tubes sold separately



## Pre-Assembled WiseRail® Kits 5 ft. up to 50 ft.

No matter the cable run length, you will be able to use the non-tensioning push-lock or pull-lock on the hardware to easily secure the cable. All cable railing kits come with stainless steel hardware fittings for ends, all fasteners and washers necessary, 1/8" diameter 1x19 Type 316 stainless steel cable, and installation instructions.



Our stainless steel cable railing kits are formatted specifically for common dimensioned wood end posts without the need for any field swaging tools or equipment. Accessories, such as post protectors, cable cutters, and other installation aids and equipment are ordered separately.

## Equipment & Accessories Sold Separately

- Cable Gripping Pliers
- Post Protector Tube
- Cable Release Tool
- Hanger Bolt Driver
- Cut-off Wheel
- Cable Cutter
- Cable Braces
- SS End Caps

# DECK BOARD SPACER GAP TOOLS

Manufactured By DeckWise®

# WiseGuides®

**WISEGUIDES®** Deck board spacers by DeckWise® are a great addition to any deck building toolbox. The versatile design allows builders to use these board spacers in any position between boards. With their bright color-coded design, finding the right spacer is much easier than the other generic, disposable

brands on the market. The special V-blade design of DeckWise® board spacers prevent denting and marring of the deck boards when pressed together during installation. Moving laterally in between boards is a breeze thanks to the spacer's unique handle.



Use with **HARDWOODS, PT, THERMALLY MODIFIED WOODS, & COMPOSITE DECKING**  
... any decking material!



Sizes Available



1/8"  
(3,2mm)

5/32"  
(4mm)

13/64"  
(5,2mm)

1/4"  
(6,4mm)

5/16"  
(8mm)

6 pack: 6 of any 1 size	✓	✓	✓	✓	✓
20 pack: 20 of any 1 size	✓	✓	✓	✓	✓
20 pack: 4 of each size	✓	✓	✓	✓	✓



# SELF-ADHESIVE FLASHING BARRIER TAPE

Distributed By DeckWise®

# WiseWrap®

When **WISEWRAP® JOISTTAPE™** flashing tape is applied to the top of deck joists or **LEDGERTAPE®** over ledger boards, it creates a self-sealing waterproof barrier that helps prevent decay and wood rot. Nails, screws and hardware are sealed preventing the intrusion of water.



**WiseWrap®**  
**JOISTTAPE™**

3" x 75' Roll

JoistTape™ prevents wood decay when deck screws or nails penetrate the deck boards, piercing the joist sub-framing below. Use as a noise dampening barrier as well.

{ Use on  
**FENCE  
POSTS!** }



{ Use on  
**DECK  
POSTS!** }

**WiseWrap®**  
**LEDGERTAPE®**

12" x 25' Roll

When applied over ledger boards or around wooden posts, LedgerTape® creates a waterproof membrane that prevents wood rot and decay caused by ground moisture.

For warranty information visit [www.DeckWise.com/Warranty](http://www.DeckWise.com/Warranty) and for installation video visit [www.DeckWise.com/videos](http://www.DeckWise.com/videos).

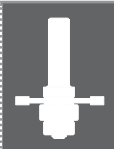
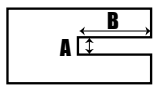
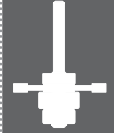
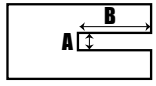
# DECKING TOOLS & ACCESSORIES

Distributed By DeckWise®

## ROUTER BITS

These **4-WING SLOT CUTTER BITS** have been specifically designed to create a perfectly symmetrical groove to accept Ipe Clip® Hidden Deck Fasteners. The 4-wing design provides a smooth cut for creating slots and grooves in decking material including exotic hardwoods, thermally treated woods, and composites. Fits most standard router devices.



Sizes Available	5/32" 4-WING SLOT CUTTER BITS		
<b>1/2" Arbor</b> (12,7mm)			Blade Diameter - 1-7/8" Slot Width (A) - 5/32" Slot Depth (B) - 1/2"
<b>1/4" Arbor</b> (6,4mm)			Blade Diameter - 1-7/8" Slot Width (A) - 5/32" Slot Depth (B) - 1/2"

\*Safety details at [www.DeckWise.com/Safety](http://www.DeckWise.com/Safety).

Do not exceed 16,000 RPM for safety.



# DRILL BITS & TIPS



Sizes Available	T10	T15	T20	T25	R1	R2
1" Star Drive Tip	✓	✓	✓	✓	-	-
2" Star Drive Tip	✓	✓	✓	✓	-	-
1" Square Tip	-	-	-	-	✓	✓



T10 Star Drive Tip



R1 Square Drive Tip



T15 Star Drive Tip



R2 Square Drive Tip



T20 Star Drive Tip



**ttap** T15 Star Drive Tip



T25 Star Drive Tip

\* **ttap**® is a registered trademark of Ttapdrive AS.

## ADHESIVES

For use with  
hardwood plugs.

4oz. & 36oz.  
(118ml & 1065ml)



## PREMIUM HARDWOOD PLUG CUTTER



3/8"

1/2"

Conveniently cut hardwood plugs  
on the job site.

- Anti-skate design
- Self centering Guide Pin
- Use with Hand-Held Drill or Drill Press

## HARDWOOD POST CAPS



Sizes Available	Ipe	Tigerwood	Cumaru
1-1/2" x 5-1/2" x 5-1/2"	✓	✓	✓
1-1/2" x 7-1/4" x 7-1/4"	✓	✓	✓
1-1/2" x 9-1/4" x 9-1/4"	✓	✓	✓



**DeckWise**.com

Manufacturers of Hidden Deck Fasteners & Accessories

NORTH AMERICAN  
ADMINISTRATION &  
MANUFACTURING FACILITY

DeckWise®  
The Ipe Clip® Fastener Company  
2111 58th Ave East  
Bradenton, FL 34203

Phone Number: 941-896-9851  
Toll Free Number: 866-427-2547  
Fax Number: 941-896-9858

EUROPEAN SALES OFFICE

DeckWise® International B.V.  
Nijverheidsweg Noord 60-2  
3812 PM Amersfoort  
The Netherlands

VAT Number: NL8514.52.863.B.01.  
Chamber Of Commerce  
Number: 54820634

Phone Number: + 31 33 469 1037  
Fax Number: + 31 33 448 0525

**Call 866-427-2547 for ordering**

[www.DeckWise.com](http://www.DeckWise.com)

©2020 DeckWise®, The Ipe Clip® Fastener Company, LLC. All rights reserved.  
Ipe Clip® is manufactured by DeckWise®.