

Features

- Stunning stylish European inspired design
- Elegant durable stainless steel frame construction
- 4 stage shower functions (Rainfall, Waterfall, Massage Spray, Hand Shower)
- Independent valve control for each of the shower functions
- All shower functions can be turned on at the same time
- Thermostatic valve control minimize the chance of scald
- Contemporary brass hand shower

Thank you for purchasing Decor Star products. Please read the information below and keep this installation guide for future reference. If you require assistance, please contact our customer service department at 1-800-879-1197, Monday - Friday 9AM - 5PM Pacific Time. Or by email at support@decorstarusa.com.

Limited Two (2) Year Warranty (For USA Only)

The manufacturer warrants this product to be free of manufacture defects during daily normal household use for as long as it is owned by the original purchaser of this product. Please keep a copy of the original invoice as proof of purchase.

Should a malfunction occur within the warranty period, Décor Star USA will, as its option, (1) repair or replace the defective part(s) or product(s) at no charge; (2) issue a refund of the original purchase price of the product(s) (Valid within 30 days from the date of purchase); or (3) issue a credit to be applied toward the purchase of a new Décor Star product. Shipping/delivery charges may apply and are in Décor Star USA's sole discretion.

This limited warranty shall not apply to goods which have been subject to accident, negligence, improper installation, product abuse, product misuse, or use of cleaners containing abrasives, alcohol or other organic solvents, whether performed by a contractor, service company, or yourself, are excluded from this warranty.

Our responsibility under this limited warranty is limited to only to replacement parts and no other costs. Décor Star USA will not be responsible for labor charges and/or damage incurred by installation, repair or replacement, nor for any indirect incidental or consequential damages, losses, injury or costs of any nature relating to this product. Except as provided by law, this limited warranty is in lieu of and excludes all other warranties, conditions, and guarantees, whether expressed or implied, statutory or otherwise, including without restriction those merchantability of fitness for use.

This limited warranty is non-transferable. This limited warranty only applies to products purchased and installed in the United States. This limited warranty covers the original consumer purchase only and does not include business, commercial or industrial use of this product. To obtain service under the Limited Warranty, please contact Decor Star USA at support@decorstarusa.com. The Decor Star USA Customer Care Department will determine whether to repair or replace your product, issue a refund, or issue a credit.

Attention

- This installation guide is subject to change without notice, please contact us to request the most updated version of this installation guide.
- This is a general installation guideline, actual installation may vary. Consult a professional if necessary.
- Product drawings in this installation guide is for illustration purpose only. Actual product may vary depends on model.
- Always take extra precautions and wear appropriate safety equipment when installing this product.
- Proper water pressure needs to be maintained to prevent possible scalding.
- Stainless steel shower panels are handmade and assembled. Product dimensions may vary slightly, always measure the actual product before installation.

You may also need the following tools

1. Thread Sealant Tape, (PTFE Tape)	5. Pencil or Marker
2. Silicon Sealant	6. Level
3. Phillips Screw Driver	7. Hammer
4. Drill with ¼" Drill Bit	

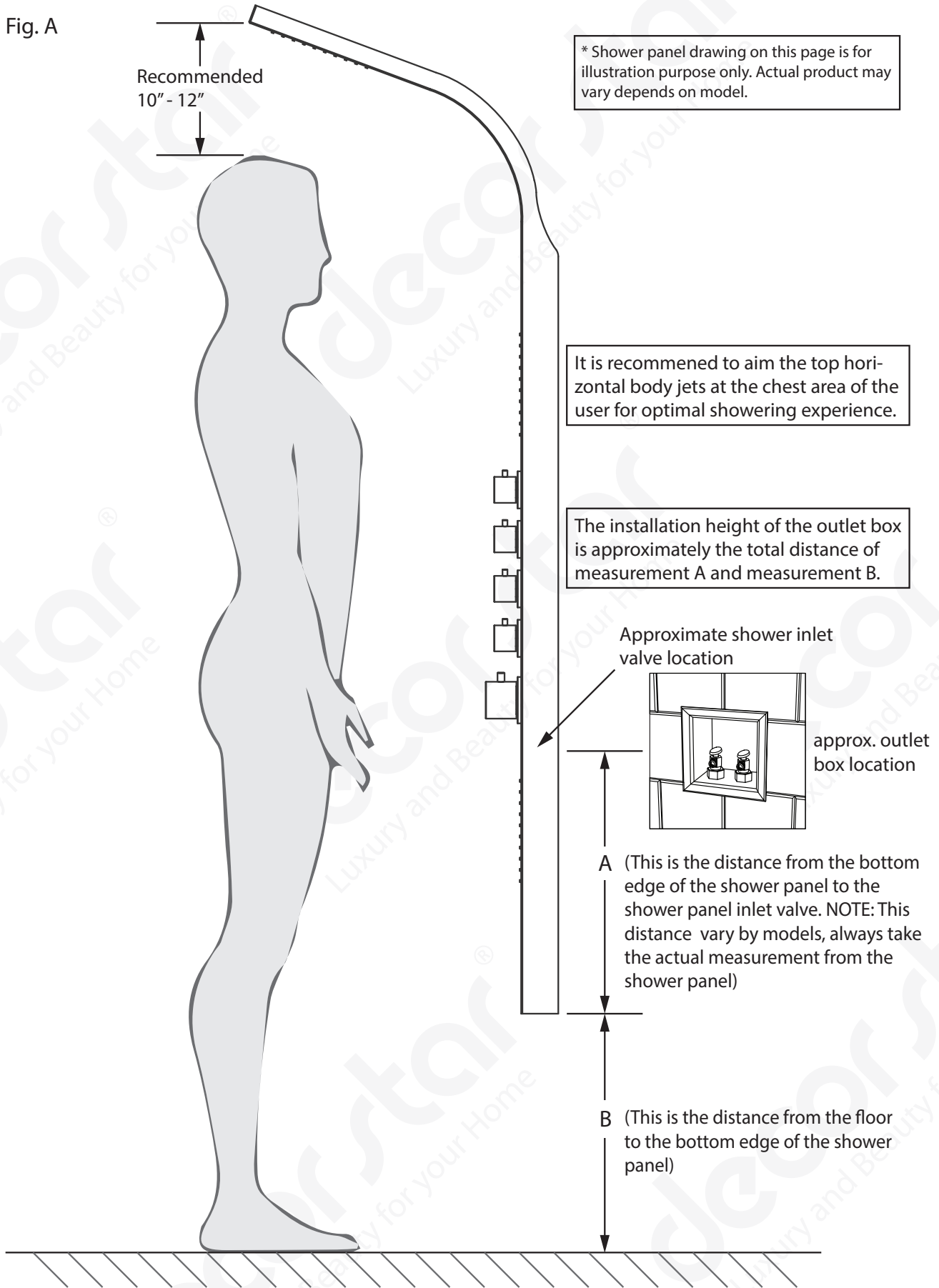
Before You Begin

- Read and understand this instructions completely before installation.
- Unpack and inspect the shower panel from the package for shipping damage and make sure all parts are included with the shower panel.
- Keep the product in its package until you are ready to install.
- Make sure the installation site is clean and free of dust and debris.
- Please make sure the water supply is shut off to the installation area. If necessary, shut off the water to the entire house.
- Turn on the water at a bathroom faucet in the house to relieve the pressure in the plumbing system.

Rough-In

- Please follow all local building and plumbing codes.
- Shut off valves should be installed in case the shower panel needs to be shut down for service and repair.
- The height and placement of the shut off valves will be based on the installation height of the shower panel, see figure A. The installation height is approximately the total distance of measurement A and measurement B.
- The finished wall opening for the valves should not be larger than 4.5" wide by 6" tall. Make sure the opening is completely waterproof to prevent any water leaking into the wall space. (NOTE: Product warranty does not cover any damages caused by water leak due to negligent and improper installation of the shut off valves and the shower panel.)
- An outlet box such as the Sioux Chief Ox Box™ 696-G2001MF, 696-G2303MF, or 696-2403MF is recommended to expedite the installation process of the shut off valves. (NOTE: additional parts such as brass reducer / adapters are required but not included with this product)

Fig. A



Technical / Flow Rate Data

Compliance with the following code(s) and standard(s):

Uniform Plumbing Code (UPC®)

National Plumbing Code of Canada

IGC 154-2013 and ASME A112.18.1-2012/CSA B125.1-12

Recommended Operating Pressure: 58 psi

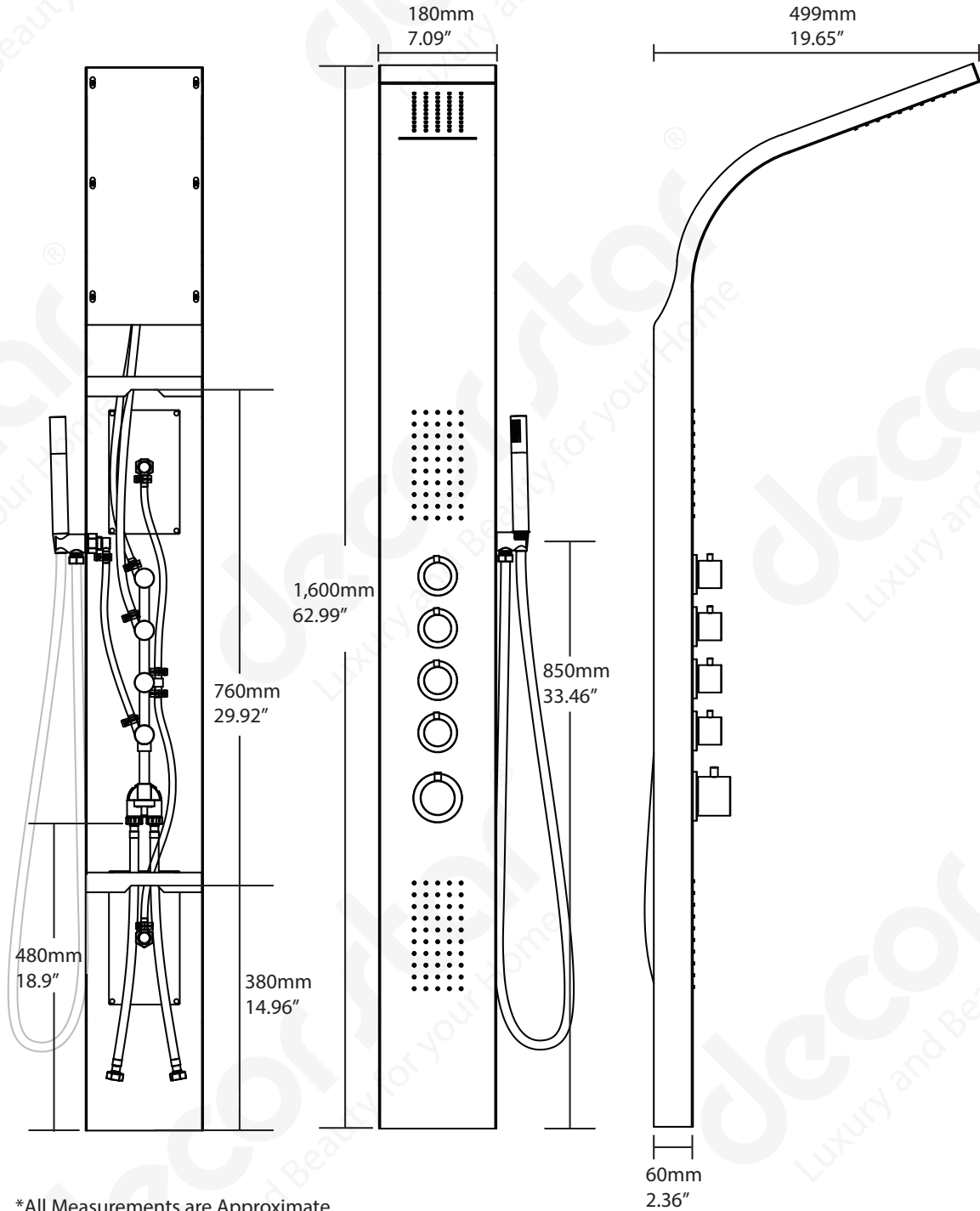
Hand Shower: 2.45 gpm

Body Jets: 3.06 gpm

Overhead Jets: 2.85 gpm

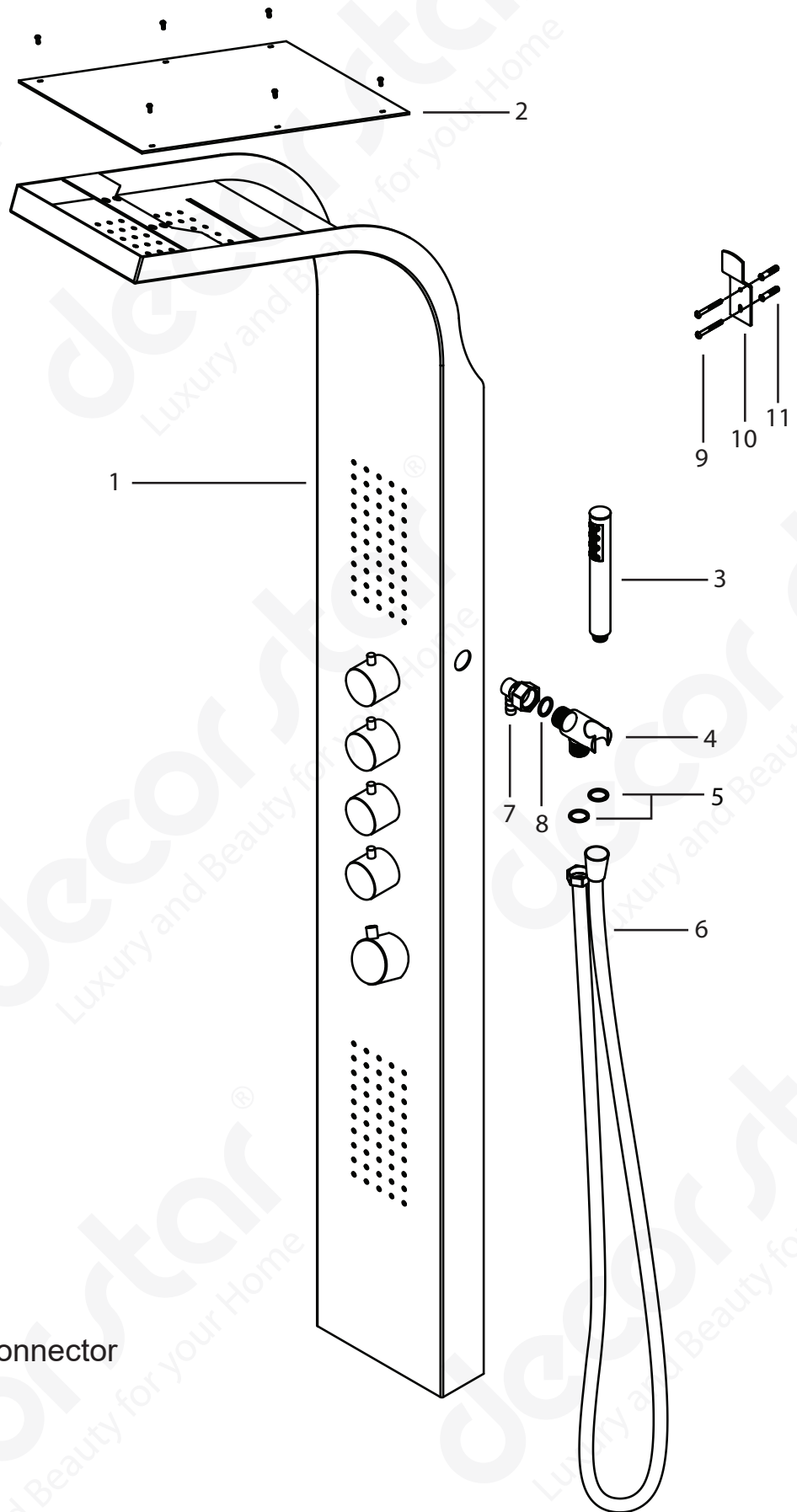
Overhead Waterfall: 3.04 gpm

Combined: 3.62 gpm



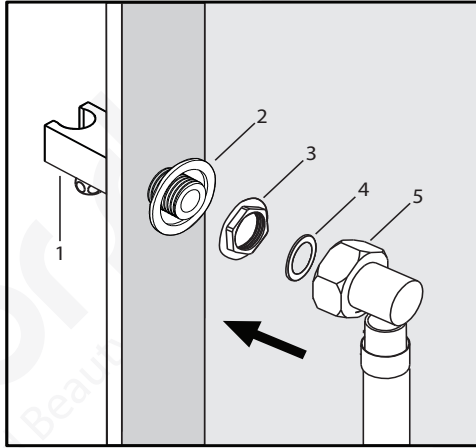
*All Measurements are Approximate

Parts List

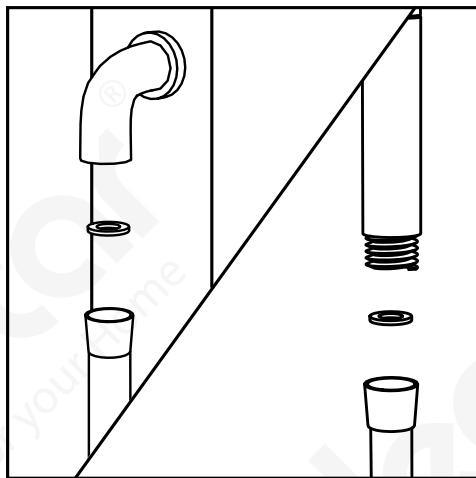


- 01. Shower Panel Body
- 02. Top Cover
- 03. Hand Shower
- 04. Hand Shower Cradle
- 05. Silicon Gaskets
- 06. Hand Shower Hose
- 07. Hand Shower Water Connector
- 08. Gasket
- 09. Screws X 4
- 10. Mounting Brackets X 2
- 11. Wall Anchors X 4

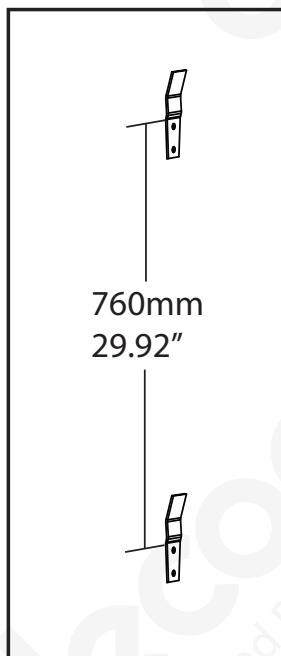
Installation



1. Install hand shower cradle (1) to the shower panel by installing the rubber washer (2) and the locking nut (3) and attach white plastic hose tube connector (5) with PVC tubing to complete the connection. (**NOTE:** Make sure the silicon gasket (4) is seated properly inside the connector.)



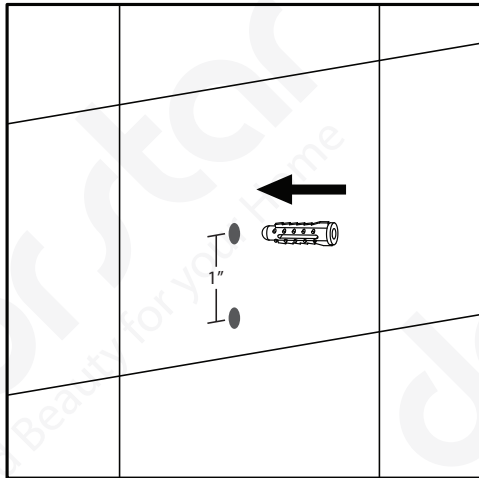
2. Connect hand shower hose to the main panel body and connect the hand shower wand to the hose. Make sure the silicon gaskets are seated properly to prevent water leak.



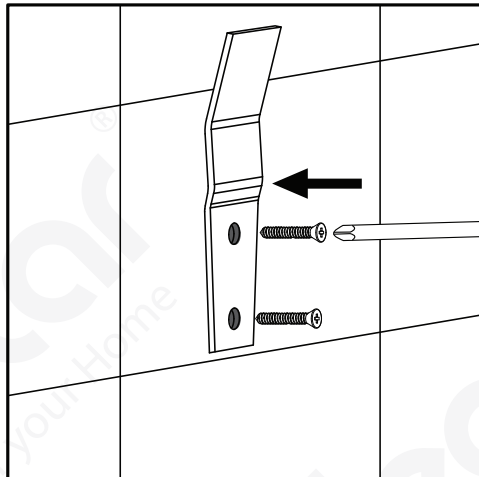
3. Mark the positions of the 2 brackets on the wall and prepare the tile wall for drilling. Use a piece of painters tape or masking tape over the drill area to prevent damages to the tiles.

(**NOTE:** The distance between the two brackets should be 760 mm or 29.92")

Installation (cont.)

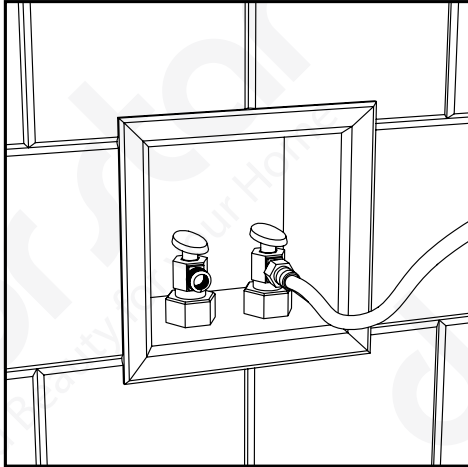


4. Using a drill with a tile bit, drill the hole slowly into the tile. Do not drill into any piping or wiring in the wall. Insert the anchors into the wall.



5. Secure the mounting brackets to the wall with the screws.

Installation (cont.)

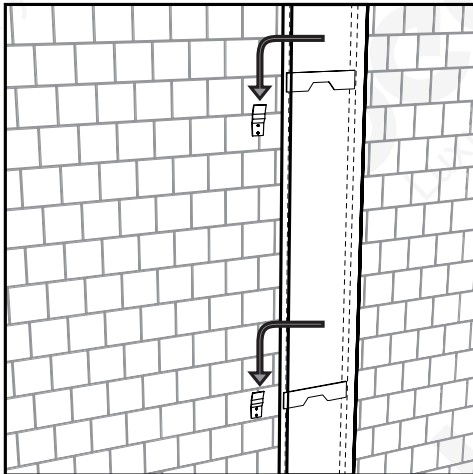


6. Apply thread sealant tape to the threading on the shut off valves before connect both hot and cold water supply hoses to the valves.

IMPORTANT :

- Make sure the water supply hoses are connected to the corresponding valves - i.e. cold water hose to the cold water valve and the same for hot water hose. The mixing valve will not function properly if the hoses are installed incorrectly.

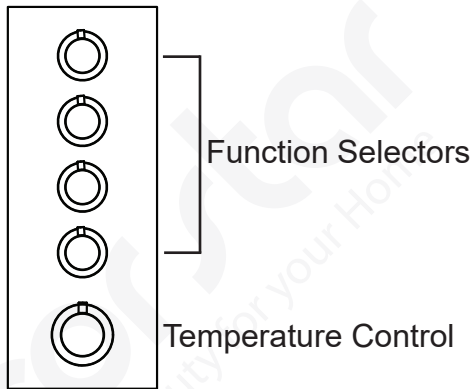
- Before hanging the shower panel on the wall. Turn on both valves and test all functions on the shower panel and check for leaks at this point. You should have good water flow to the shower panel and full temperature control from the knobs.



7. Once the shower panel has been tested for functions and leaks. Hang the unit on the wall to complete the installation. Due to the limited space behind the shower panel, do not bend the hoses. Any restrictions in the water supply hoses will greatly reduce the performance of the shower panel. After the shower panel is set properly on the wall, apply silicon sealant on both sides of the shower panel to prevent the unit from moving.

(NOTE: Do not seal the bottom of the panel.)

Operation

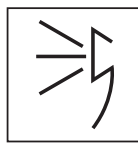


1. Turn the temperature control knob to set the desired water temperature. The control is preset to maximum temperature of 100.3 degrees Fahrenheit. To set higher water temperature, push down the safety pin and turn the dial counterclockwise to the desired temperature mark. (**Important: Scalding may occur if bypass the safety pin, use this control with caution**)
2. Select the desired water function by turning the selector to the corresponding marking. Multiple functions can be used simultaneously only if there is adequate water pressure supplied to the shower panel.

Water Functions



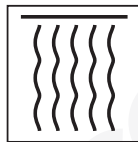
Overhead Jets



Handheld Shower



Horizontal Body Jets



Overhead Waterfall

Maintenance Guide

Please follow the cleaning material manufacturer's instructions. In addition, pay attention to the following points:

1. Regular cleaning can prevent mineral build up on shower head and handheld shower.
2. Use a mild detergent such as liquid dishwashing soap and warm water for cleaning.
3. Do not use abrasive / harsh chemical when cleaning the fixture as they will damage and dull the finish.
3. Carefully read the cleaner product label to ensure the cleaner is safe for use on the material.
4. Test the cleaner on a small area before using on the entire surface.
5. Do not leave the cleaner on the fixture longer than necessary.
6. When using spray cleaners, spray first onto a soft cloth or sponge. Never spray directly onto the faucet as droplets can enter openings and gaps and cause damage.
5. After cleaning, rinse thoroughly with clean water to remove any cleaner residue.