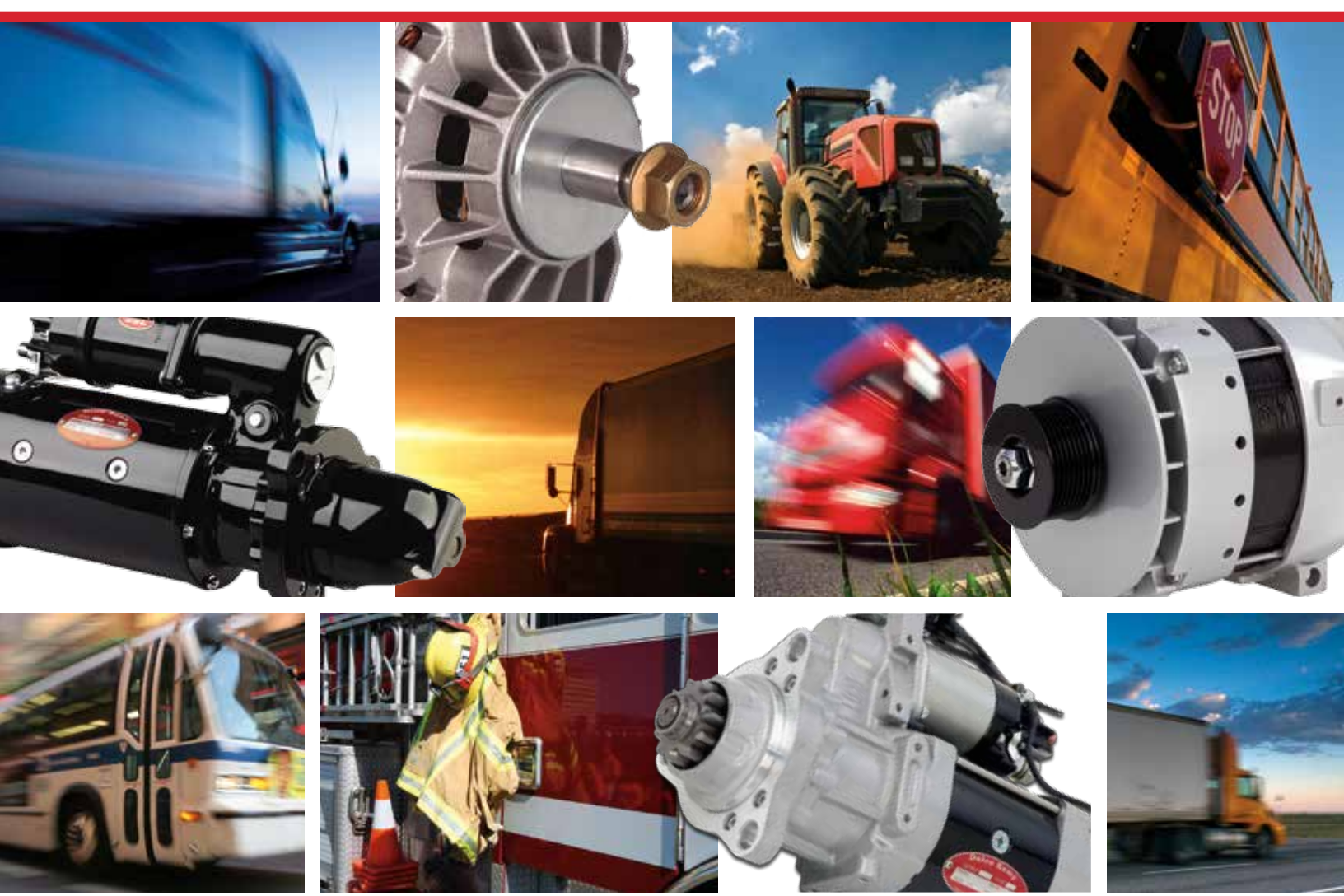


# QUICK REFERENCE GUIDE

## Heavy Duty Starters & Alternators



**NOTE:** Interchange by using a competitor part number is not positive identification. Certain competitor part number interchanges are included at popular request, but absolute correlation is not possible. No responsibility is assumed by remanufacturer or publisher for consequential or other damages which may arise from reliance on a competitor part number to make identification.

**DISCLAIMER of WARRANTY:** The information contained herein has been obtained from reliable sources and is accurate insofar as is ascertainable. However, no warranty is either expressed or implied as to the accuracy of this catalog and no responsibility is assumed by the publisher for any damages. The acceptance of this catalog is conditional to the acceptance of the disclaimer of warranty.

All rights reserved. These materials are protected by United States and international copyright laws and may not be reproduced, modified, distributed or republished in any form without the express written permission of Remy International, Inc.

Any reference to part numbers or manufacture company names listed throughout this catalog are for reference purposes only and are in no way indicative of the origin of the goods.



**Alternators ..... 1**

Listing of alternator part numbers by product model family. Includes product specifications, new and remanufactured replacements and upgrade options.

**Starters .....32**

Listing of starter part numbers by product model family. Includes product specifications, new and remanufactured replacements and upgrade options.

**Service Notes.....73**

Defines footnotes identified in the starter, alternator and competitor cross reference sections.

**Model Index .....77**

Identifies a part number's model family if unknown.

**Competitor Cross Reference .....96**

Identifies Delco Remy replacements for competitive part numbers.

# Delco Remy Alternators

**75I**

| Part No. | Volts | Amps | Mount      | Replacement |  |
|----------|-------|------|------------|-------------|--|
|          |       |      |            | New         |  |
| 19020600 | 12    | 70   | J180 Hinge | 19020604    |  |
| 19020601 | 12    | 70   | J180 Hinge | 19020609    |  |
| 19020604 | 12    | 70   | J180 Hinge | 19020604    |  |
| 19020606 | 12    | 70   | Spool      | 19020606    |  |
| 19020608 | 12    | 70   | Spool      | 19020608    |  |
| 19020609 | 12    | 70   | J180 Hinge | 19020609    |  |
| 19020611 | 12    | 70   | J180 Hinge | 19020612    |  |

| Part No. | Volts | Amps | Mount      | Replacement |  |
|----------|-------|------|------------|-------------|--|
|          |       |      |            | New         |  |
| 19020612 | 12    | 70   | J180 Hinge | 19020612    |  |
| 19020613 | 12    | 70   | Spool      | 19020614    |  |
| 19020614 | 12    | 70   | Spool      | 19020614    |  |
| 19020615 | 12    | 70   | Spool      | 19020606    |  |
| 19020616 | 12    | 70   | Spool      | 19020616    |  |
| 19020617 | 12    | 70   | Spool      | 19020617    |  |

**95I**

| Part No. | Volts | Amps | Mount | Upgrade  |  |
|----------|-------|------|-------|----------|--|
|          |       |      |       | 11SI     |  |
| 8600531  | 12    | 95   | Spool | 19020208 |  |

**105I**

| Part No. | Volts | Amps | Mount | Replacement |       |
|----------|-------|------|-------|-------------|-------|
|          |       |      |       | Reman       | New   |
| 1100109  | 12    | 63   | Spool | 20142       |       |
| 1100110  | 12    | 42   | Spool | 20038       | 91751 |
| 1100111  | 12    | 63   | Spool | 20039       | 91751 |
| 1100113  | 12    | 63   | Spool | 20039       | 91751 |
| 1100114  | 12    | 78   | Spool |             | 93037 |
| 1100115  | 12    | 42   | Spool | 20038       | 91751 |
| 1100116  | 12    | 63   | Spool | 20039       | 91751 |
| 1100121  | 12    | 63   | Spool | 20041       |       |
| 1100122  | 12    | 63   | Spool | 20041       |       |
| 1100124  | 12    | 63   | Spool | 20041       |       |
| 1100125  | 12    | 63   | Spool | 20043       |       |
| 1100127  | 12    | 42   | Spool | 20040       |       |
| 1100129  | 12    | 63   | Spool | 20039       | 91751 |
| 1100130  | 12    | 63   | Spool | 20041       |       |
| 1100131  | 12    | 63   | Spool | 20043       |       |
| 1100132  | 12    | 63   | Spool | 20043       |       |
| 1100133  | 12    | 63   | Spool | 20041       |       |
| 1100138  | 12    | 42   | Spool | 20141       |       |
| 1100139  | 12    | 63   | Spool | 20142       |       |
| 1100140  | 12    | 42   | Spool | 20040       |       |
| 1100141  | 12    | 42   | Spool | 20040       |       |
| 1100142  | 12    | 63   | Spool | 20039       | 91751 |
| 1100143  | 12    | 63   | Spool | 20041       |       |
| 1100145  | 12    | 42   | Spool | 20038       | 91751 |
| 1100146  | 12    | 63   | Spool | 20041       |       |
| 1100148  | 12    | 63   | Spool | 20039       | 91751 |
| 1100149  | 12    | 63   | Spool | 20039       | 91751 |
| 1100150  | 12    | 42   | Spool | 20040       |       |
| 1100151  | 12    | 42   | Spool | 20038       | 91751 |
| 1100152  | 12    | 63   | Spool | 20041       |       |
| 1100153  | 12    | 42   | Spool | 20040       |       |
| 1100154  | 12    | 63   | Spool | 20142       |       |
| 1100155  | 12    | 63   | Spool | 20041       |       |

| Part No. | Volts | Amps | Mount | Replacement |       |
|----------|-------|------|-------|-------------|-------|
|          |       |      |       | Reman       | New   |
| 1100156  | 12    | 63   | Spool | 20039       | 91751 |
| 1100158  | 12    | 42   | Spool | 20038       | 91751 |
| 1100159  | 12    | 42   | Spool | 20040       |       |
| 1100162  | 12    | 63   | Spool | 20039       | 91751 |
| 1100163  | 12    | 42   | Spool | 20038       | 91751 |
| 1100164  | 12    | 63   | Spool | 20041       |       |
| 1100165  | 12    | 78   | Spool | 20222       |       |
| 1100166  | 12    | 63   | Spool | 20043       |       |
| 1100167  | 12    | 63   | Spool | 20041       |       |
| 1100168  | 12    | 63   | Spool | 20043       |       |
| 1100169  | 12    | 63   | Spool | 20031       |       |
| 1100170  | 12    | 63   | Spool |             | 93036 |
| 1100171  | 12    | 78   | Spool |             | 93037 |
| 1100173  | 12    | 63   | Spool | 20111       |       |
| 1100174  | 12    | 63   | Spool | 20039       | 91751 |
| 1100175  | 12    | 63   | Spool | 20043       |       |
| 1100176  | 12    | 63   | Spool | 20043       |       |
| 1100178  | 12    | 63   | Spool | 20031       |       |
| 1100179  | 12    | 42   | Spool | 20038       | 91751 |
| 1100180  | 12    | 63   | Spool | 20039       | 91751 |
| 1100181  | 12    | 63   | Spool | 20041       |       |
| 1100182  | 12    | 63   | Spool | 20041       |       |
| 1100196  | 12    | 63   | Spool | 20043       |       |
| 1100198  | 12    | 78   | Spool | 20222       |       |
| 1100199  | 12    | 63   | Spool | 20039       |       |
| 1100201  | 12    | 42   | Spool | 20038       |       |
| 1100202  | 12    | 63   | Spool | 20039       |       |
| 1100203  | 12    | 42   | Spool | 20040       |       |
| 1100204  | 12    | 42   | Spool | 20038       |       |
| 1100218  | 12    | 63   | Spool | 20043       |       |
| 1100220  | 12    | 63   | Spool | 20111       |       |
| 1100221  | 12    | 63   | Spool | 20043       |       |
| 1100222  | 12    | 63   | Spool | 20043       |       |

| Part No. | Volts | Amps | Mount | Replacement |     |
|----------|-------|------|-------|-------------|-----|
|          |       |      |       | Reman       | New |
| 1100225  | 12    | 42   | Spool | 20040       |     |
| 1100226  | 12    | 42   | Spool | 20042       |     |
| 1100227  | 12    | 42   | Spool | 20038       |     |
| 1100228  | 12    | 42   | Spool | 20038       |     |
| 1100229  | 12    | 42   | Spool | 20040       |     |
| 1100230  | 12    | 42   | Spool | 20038       |     |
| 1100231  | 12    | 42   | Spool | 20038       |     |
| 1100232  | 12    | 42   | Spool | 20038       |     |
| 1100233  | 12    | 42   | Spool | 20038       |     |
| 1100234  | 12    | 42   | Spool | 20141       |     |
| 1100235  | 12    | 42   | Spool | 20038       |     |
| 1100236  | 12    | 42   | Spool | 20038       |     |
| 1100238  | 12    | 63   | Spool | 20040       |     |
| 1100256  | 12    | 63   | Spool | 20041       |     |
| 1100267  | 12    | 42   | Spool | 20042       |     |
| 1100268  | 12    | 42   | Spool | 20042       |     |
| 1100281  | 12    | 78   | Spool | 20222       |     |
| 1100294  | 12    | 63   | Spool | 20039       |     |
| 1100297  | 12    | 78   | Spool | 20222       |     |
| 1100487  | 12    | 63   | Spool | 20039       |     |
| 1100491  | 12    | 63   | Spool | 20043       |     |
| 1100494  | 12    | 63   | Spool | 20039       |     |
| 1100497  | 12    | 42   | Spool | 20040       |     |
| 1100542  | 12    | 63   | Spool | 20039       |     |
| 1100543  | 12    | 42   | Spool | 20042       |     |
| 1100544  | 12    | 63   | Spool | 20043       |     |
| 1100545  | 12    | 42   | Spool | 20042       |     |
| 1100546  | 12    | 63   | Spool | 20043       |     |
| 1100547  | 12    | 42   | Spool | 20040       |     |
| 1100548  | 12    | 63   | Spool | 20041       |     |
| 1100549  | 12    | 63   | Spool | 20041       |     |
| 1100550  | 12    | 42   | Spool | 20040       |     |
| 1100552  | 12    | 63   | Spool | 20039       |     |
| 1100554  | 12    | 63   | Spool | 20043       |     |
| 1100559  | 12    | 42   | Spool | 20040       |     |
| 1100560  | 12    | 63   | Spool | 20041       |     |
| 1100573  | 12    | 42   | Spool | 20038       |     |
| 1100574  | 12    | 42   | Spool | 20040       |     |
| 1100575  | 12    | 63   | Spool | 20039       |     |
| 1100578  | 12    | 63   | Spool | 20043       |     |
| 1100579  | 12    | 63   | Spool | 20043       |     |
| 1100580  | 12    | 63   | Spool | 20043       |     |
| 1100581  | 12    | 63   | Spool | 20043       |     |
| 1100588  | 12    | 42   | Spool | 20042       |     |
| 1100589  | 12    | 42   | Spool | 20038       |     |
| 1100592  | 12    | 63   | Spool | 20039       |     |
| 1100593  | 12    | 42   | Spool | 20038       |     |
| 1100597  | 12    | 63   | Spool | 20039       |     |
| 1100825  | 12    | 63   | Spool | 20041       |     |
| 1100830  | 12    | 63   | Spool | 20039       |     |
| 1100832  | 12    | 42   | Spool | 20038       |     |

| Part No. | Volts | Amps | Mount | Replacement |     |
|----------|-------|------|-------|-------------|-----|
|          |       |      |       | Reman       | New |
| 1100833  | 12    | 42   | Spool | 20040       |     |
| 1100852  | 12    | 63   | Spool | 20039       |     |
| 1100853  | 12    | 42   | Spool | 20038       |     |
| 1100854  | 12    | 63   | Spool | 20041       |     |
| 1100855  | 12    | 63   | Spool | 20039       |     |
| 1100859  | 12    | 42   | Spool | 20040       |     |
| 1100865  | 12    | 63   | Spool | 20039       |     |
| 1100880  | 12    | 42   | Spool | 20038       |     |
| 1100881  | 12    | 42   | Spool | 20042       |     |
| 1100882  | 12    | 63   | Spool | 20043       |     |
| 1100884  | 12    | 63   | Spool | 20043       |     |
| 1100890  | 12    | 63   | Spool | 20039       |     |
| 1100897  | 12    | 63   | Spool | 20041       |     |
| 1100899  | 12    | 42   | Spool | 20040       |     |
| 1100900  | 12    | 42   | Spool | 20042       |     |
| 1100901  | 12    | 42   | Spool | 20040       |     |
| 1100902  | 12    | 42   | Spool | 20040       |     |
| 1100903  | 12    | 63   | Spool | 20041       |     |
| 1100904  | 12    | 63   | Spool | 20041       |     |
| 1100911  | 12    | 63   | Spool | 20043       |     |
| 1100919  | 12    | 42   | Spool | 20042       |     |
| 1100920  | 12    | 63   | Spool | 20041       |     |
| 1100922  | 12    | 42   | Spool | 20042       |     |
| 1100923  | 12    | 63   | Spool | 20043       |     |
| 1100924  | 12    | 63   | Spool | 20043       |     |
| 1100925  | 12    | 63   | Spool | 20043       |     |
| 1100926  | 12    | 42   | Spool | 20040       |     |
| 1100927  | 12    | 42   | Spool | 20040       |     |
| 1100928  | 12    | 63   | Spool | 20041       |     |
| 1100929  | 12    | 42   | Spool | 20040       |     |
| 1100930  | 12    | 42   | Spool | 20040       |     |
| 1100934  | 12    | 42   | Spool | 20038       |     |
| 1100935  | 12    | 63   | Spool | 20039       |     |
| 1100936  | 12    | 63   | Spool | 20043       |     |
| 1100937  | 12    | 63   | Spool | 20043       |     |
| 1100940  | 12    | 42   | Spool | 20042       |     |
| 1100946  | 12    | 63   | Spool | 20043       |     |
| 1100947  | 12    | 42   | Spool | 20042       |     |
| 1100949  | 12    | 63   | Spool | 20039       |     |
| 1100950  | 12    | 42   | Spool | 20042       |     |
| 1101155  | 12    | 42   | Spool | 20038       |     |
| 1101159  | 12    | 42   | Spool | 20038       |     |
| 1102346  | 12    | 42   | Spool | 20040       |     |
| 1102347  | 12    | 63   | Spool | 20041       |     |
| 1102349  | 12    | 42   | Spool | 20040       |     |
| 1102350  | 12    | 63   | Spool | 20041       |     |
| 1102353  | 12    | 42   | Spool | 20042       |     |
| 1102354  | 12    | 63   | Spool | 20041       |     |
| 1102359  | 12    | 42   | Spool | 20042       |     |
| 1102363  | 12    | 63   | Spool | 53170       |     |
| 1102364  | 12    | 63   | Spool | 53170       |     |

# Delco Remy Alternators

**1051**

| Part No. | Volts | Amps | Mount | Replacement |     |
|----------|-------|------|-------|-------------|-----|
|          |       |      |       | Reman       | New |
| 1102367  | 12    | 63   | Spool | 20039       |     |
| 1102368  | 12    | 63   | Spool | 20039       |     |
| 1102369  | 12    | 63   | Spool | 20039       |     |
| 1102370  | 12    | 63   | Spool | 53170       |     |
| 1102380  | 12    | 63   | Spool | 20043       |     |
| 1102381  | 12    | 42   | Spool | 20042       |     |
| 1102382  | 12    | 42   | Spool | 20040       |     |
| 1102383  | 12    | 63   | Spool | 20041       |     |
| 1102384  | 12    | 42   | Spool | 20040       |     |
| 1102385  | 12    | 63   | Spool | 20041       |     |
| 1102386  | 12    | 63   | Spool | 20043       |     |
| 1102387  | 12    | 42   | Spool | 20038       |     |
| 1102388  | 12    | 42   | Spool | 20042       |     |
| 1102389  | 12    | 42   | Spool | 20042       |     |
| 1102390  | 12    | 63   | Spool | 20043       |     |
| 1102391  | 12    | 63   | Spool | 20043       |     |
| 1102392  | 12    | 63   | Spool | 20043       |     |
| 1102394  | 12    | 42   | Spool | 20038       |     |
| 1102395  | 12    | 63   | Spool | 20041       |     |
| 1102397  | 12    | 42   | Spool | 20038       |     |
| 1102399  | 12    | 42   | Spool | 20042       |     |
| 1102400  | 12    | 42   | Spool | 20042       |     |
| 1102457  | 12    | 63   | Spool | 20043       |     |
| 1102460  | 12    | 63   | Spool | 20043       |     |
| 1102461  | 12    | 63   | Spool | 20043       |     |
| 1102465  | 12    | 63   | Spool | 20041       |     |
| 1102466  | 12    | 63   | Spool | 20041       |     |
| 1102467  | 12    | 63   | Spool | 20041       |     |
| 1102468  | 12    | 63   | Spool | 20043       |     |
| 1102472  | 12    | 42   | Spool | 20040       |     |
| 1102474  | 12    | 63   | Spool | 20043       |     |
| 1102475  | 12    | 42   | Spool | 20042       |     |
| 1102476  | 12    | 63   | Spool | 20043       |     |
| 1102477  | 12    | 42   | Spool | 20040       |     |
| 1102478  | 12    | 63   | Spool | 20041       |     |
| 1102479  | 12    | 63   | Spool | 20039       |     |
| 1102480  | 12    | 63   | Spool | 20039       |     |
| 1102481  | 12    | 42   | Spool | 20040       |     |
| 1102482  | 12    | 63   | Spool | 20041       |     |
| 1102483  | 12    | 42   | Spool | 20038       |     |
| 1102484  | 12    | 42   | Spool | 20042       |     |
| 1102485  | 12    | 42   | Spool | 20040       |     |
| 1102486  | 12    | 63   | Spool | 20041       |     |
| 1102488  | 12    | 63   | Spool | 20039       |     |
| 1102491  | 12    | 42   | Spool | 20040       |     |
| 1102493  | 12    | 42   | Spool | 20038       |     |
| 1102494  | 12    | 63   | Spool | 20039       |     |
| 1102495  | 12    | 63   | Spool | 20039       |     |
| 1102497  | 12    | 63   | Spool | 20041       |     |
| 1102499  | 12    | 63   | Spool | 20041       |     |
| 1102500  | 12    | 63   | Spool | 20043       |     |

| Part No. | Volts | Amps | Mount | Replacement |     |
|----------|-------|------|-------|-------------|-----|
|          |       |      |       | Reman       | New |
| 1102548  | 12    | 63   | Spool | 20039       |     |
| 1102549  | 12    | 63   | Spool | 20039       |     |
| 1102550  | 12    | 63   | Spool | 20039       |     |
| 1102839  | 12    | 63   | Spool | 20041       |     |
| 1102840  | 12    | 63   | Spool | 20039       |     |
| 1102841  | 12    | 42   | Spool | 20038       |     |
| 1102842  | 12    | 63   | Spool | 20039       |     |
| 1102845  | 12    | 42   | Spool | 20141       |     |
| 1102846  | 12    | 63   | Spool | 20142       |     |
| 1102847  | 12    | 63   | Spool | 20043       |     |
| 1102848  | 12    | 42   | Spool | 20042       |     |
| 1102849  | 12    | 63   | Spool | 20043       |     |
| 1102850  | 12    | 42   | Spool | 20040       |     |
| 1102851  | 12    | 63   | Spool | 20043       |     |
| 1102852  | 12    | 63   | Spool | 20041       |     |
| 1102853  | 12    | 63   | Spool | 20041       |     |
| 1102854  | 12    | 63   | Spool | 20041       |     |
| 1102856  | 12    | 42   | Spool | 20042       |     |
| 1102857  | 12    | 63   | Spool | 20041       |     |
| 1102858  | 12    | 42   | Spool | 20042       |     |
| 1102859  | 12    | 63   | Spool | 20041       |     |
| 1102860  | 12    | 63   | Spool | 20039       |     |
| 1102861  | 12    | 42   | Spool | 20040       |     |
| 1102862  | 12    | 63   | Spool | 20041       |     |
| 1102866  | 12    | 63   | Spool | 20043       |     |
| 1102867  | 12    | 63   | Spool | 20043       |     |
| 1102869  | 12    | 63   | Spool | 20043       |     |
| 1102881  | 12    | 42   | Spool | 20038       |     |
| 1102882  | 12    | 42   | Spool | 20042       |     |
| 1102883  | 12    | 63   | Spool | 20039       |     |
| 1102884  | 12    | 63   | Spool | 20043       |     |
| 1102885  | 12    | 63   | Spool | 20041       |     |
| 1102886  | 12    | 63   | Spool | 20041       |     |
| 1102887  | 12    | 42   | Spool | 20040       |     |
| 1102888  | 12    | 63   | Spool | 20041       |     |
| 1102889  | 12    | 42   | Spool | 20040       |     |
| 1102891  | 12    | 63   | Spool | 20041       |     |
| 1102892  | 12    | 63   | Spool | 20041       |     |
| 1102893  | 12    | 63   | Spool | 20043       |     |
| 1102897  | 12    | 63   | Spool | 20041       |     |
| 1102901  | 12    | 63   | Spool | 20039       |     |
| 1102902  | 12    | 63   | Spool | 20043       |     |
| 1102903  | 12    | 63   | Spool | 20039       |     |
| 1102904  | 12    | 63   | Spool | 20039       |     |
| 1102905  | 12    | 63   | Spool | 20039       |     |
| 1102906  | 12    | 63   | Spool | 20039       |     |
| 1102908  | 12    | 63   | Spool | 20043       |     |
| 1102909  | 12    | 63   | Spool | 20043       |     |
| 1102910  | 12    | 63   | Spool | 20039       |     |
| 1102911  | 12    | 63   | Spool | 20039       |     |
| 1102913  | 12    | 63   | Spool | 20039       |     |

**Alternators**



| Part No. | Volts | Amps | Mount | Replacement |     |
|----------|-------|------|-------|-------------|-----|
|          |       |      |       | Reman       | New |
| 1102915  | 12    | 42   | Spool | 20042       |     |
| 1102924  | 12    | 63   | Spool | 53170       |     |
| 1102931  | 12    | 63   | Spool | 53170       |     |
| 1102941  | 12    | 63   | Spool | 20043       |     |
| 1103034  | 12    | 63   | Spool | 20041       |     |
| 1103036  | 12    | 42   | Spool | 20042       |     |
| 1103037  | 12    | 63   | Spool | 20043       |     |
| 1103039  | 12    | 42   | Spool | 20042       |     |
| 1103040  | 12    | 63   | Spool | 20043       |     |
| 1103041  | 12    | 63   | Spool | 20043       |     |
| 1103042  | 12    | 63   | Spool | 20039       |     |
| 1103043  | 12    | 42   | Spool | 20038       |     |
| 1103044  | 12    | 63   | Spool | 20039       |     |
| 1103045  | 12    | 63   | Spool | 20039       |     |
| 1103047  | 12    | 42   | Spool | 20038       |     |
| 1103048  | 12    | 63   | Spool | 20039       |     |
| 1103049  | 12    | 63   | Spool | 20041       |     |
| 1103050  | 12    | 42   | Spool | 20040       |     |
| 1103051  | 12    | 63   | Spool | 20039       |     |
| 1103052  | 12    | 63   | Spool | 20041       |     |
| 1103053  | 12    | 42   | Spool | 20040       |     |
| 1103055  | 12    | 42   | Spool | 20040       |     |
| 1103056  | 12    | 63   | Spool | 20041       |     |
| 1103057  | 12    | 63   | Spool | 20039       |     |
| 1103058  | 12    | 63   | Spool | 20039       |     |
| 1103059  | 12    | 63   | Spool | 20041       |     |
| 1103060  | 12    | 42   | Spool | 20038       |     |
| 1103061  | 12    | 63   | Spool | 20039       |     |
| 1103062  | 12    | 63   | Spool | 20043       |     |
| 1103063  | 12    | 63   | Spool | 20043       |     |
| 1103064  | 12    | 63   | Spool | 20041       |     |
| 1103065  | 12    | 63   | Spool | 20039       |     |
| 1103066  | 12    | 63   | Spool | 20041       |     |
| 1103067  | 12    | 63   | Spool | 20041       |     |
| 1103068  | 12    | 63   | Spool | 20041       |     |
| 1103069  | 12    | 42   | Spool | 20040       |     |
| 1103070  | 12    | 63   | Spool | 20041       |     |
| 1103073  | 12    | 42   | Spool | 20040       |     |
| 1103074  | 12    | 42   | Spool | 20040       |     |
| 1103075  | 12    | 42   | Spool | 20038       |     |
| 1103076  | 12    | 63   | Spool | 20039       |     |
| 1103078  | 12    | 42   | Spool | 20038       |     |
| 1103079  | 12    | 63   | Spool | 20039       |     |
| 1103080  | 12    | 42   | Spool | 20141       |     |
| 1103081  | 12    | 63   | Spool | 20142       |     |
| 1103082  | 12    | 63   | Spool | 20039       |     |
| 1103083  | 12    | 63   | Spool | 20039       |     |
| 1103084  | 12    | 63   | Spool | 20041       |     |
| 1103085  | 12    | 63   | Spool | 20039       |     |
| 1103086  | 12    | 63   | Spool | 20041       |     |
| 1103088  | 12    | 63   | Spool | 20039       |     |

| Part No. | Volts | Amps | Mount | Replacement |     |
|----------|-------|------|-------|-------------|-----|
|          |       |      |       | Reman       | New |
| 1103089  | 12    | 63   | Spool | 20039       |     |
| 1103090  | 12    | 63   | Spool | 20041       |     |
| 1103091  | 12    | 63   | Spool | 20043       |     |
| 1103092  | 12    | 63   | Spool | 20043       |     |
| 1103093  | 12    | 63   | Spool | 20041       |     |
| 1103094  | 12    | 63   | Spool | 20039       |     |
| 1103095  | 12    | 63   | Spool | 20041       |     |
| 1103096  | 12    | 63   | Spool | 20041       |     |
| 1103100  | 12    | 63   | Spool | 20039       |     |
| 1103101  | 12    | 42   | Spool | 20038       |     |
| 1103102  | 12    | 63   | Spool | 20039       |     |
| 1103103  | 12    | 63   | Spool | 20041       |     |
| 1103104  | 12    | 42   | Spool | 20040       |     |
| 1103105  | 12    | 42   | Spool | 20042       |     |
| 1103106  | 12    | 63   | Spool | 20039       |     |
| 1103111  | 12    | 63   | Spool | 20039       |     |
| 1103112  | 12    | 63   | Spool | 20039       |     |
| 1103117  | 12    | 42   | Spool | 20042       |     |
| 1103118  | 12    | 42   | Spool | 20038       |     |
| 1103119  | 12    | 63   | Spool | 20039       |     |
| 1103120  | 12    | 63   | Spool | 20041       |     |
| 1103121  | 12    | 63   | Spool | 20039       |     |
| 1103122  | 12    | 63   | Spool | 20043       |     |
| 1103136  | 12    | 63   | Spool | 53170       |     |
| 1103137  | 12    | 63   | Spool | 53170       |     |
| 1103139  | 12    | 42   | Spool | 20038       |     |
| 1103140  | 12    | 63   | Spool | 20039       |     |
| 1103142  | 12    | 63   | Spool | 20041       |     |
| 1103143  | 12    | 42   | Spool | 20040       |     |
| 1103144  | 12    | 42   | Spool | 20040       |     |
| 1103145  | 12    | 42   | Spool | 20038       |     |
| 1103146  | 12    | 63   | Spool | 20039       |     |
| 1103147  | 12    | 42   | Spool | 20038       |     |
| 1103148  | 12    | 42   | Spool | 20038       |     |
| 1103149  | 12    | 42   | Spool | 20040       |     |
| 1103151  | 12    | 63   | Spool | 20039       |     |
| 1103152  | 12    | 42   | Spool | 20040       |     |
| 1103153  | 12    | 63   | Spool | 20039       |     |
| 1103154  | 12    | 42   | Spool | 20038       |     |
| 1103155  | 12    | 63   | Spool | 20041       |     |
| 1103156  | 12    | 63   | Spool | 20041       |     |
| 1103157  | 12    | 63   | Spool | 20041       |     |
| 1103161  | 12    | 42   | Spool | 20042       |     |
| 1103162  | 12    | 42   | Spool | 20038       |     |
| 1103169  | 12    | 63   | Spool | 20039       |     |
| 1103170  | 12    | 42   | Spool | 20042       |     |
| 1103182  | 12    | 63   | Spool | 20043       |     |
| 1103186  | 12    | 63   | Spool | 20039       |     |
| 1103187  | 12    | 42   | Spool | 20038       |     |
| 1103195  | 12    | 63   | Spool | 20041       |     |
| 1103197  | 12    | 63   | Spool | 20039       |     |

# Delco Remy Alternators

**10SI**

**Alternators**

| Part No.       | Volts | Amps | Mount | Replacement |     |
|----------------|-------|------|-------|-------------|-----|
|                |       |      |       | Reman       | New |
| <b>1105043</b> | 12    | 42   | Spool | 20040       |     |
| <b>1105050</b> | 12    | 42   | Spool | 20038       |     |
| <b>1105067</b> | 12    | 42   | Spool | 20042       |     |
| <b>1105079</b> | 12    | 42   | Spool | 20038       |     |
| <b>1105080</b> | 12    | 42   | Spool | 20040       |     |
| <b>1105161</b> | 12    | 63   | Spool | 53170       |     |
| <b>1105185</b> | 12    | 42   | Spool | 20042       |     |
| <b>1105193</b> | 12    | 63   | Spool | 20142       |     |
| <b>1105195</b> | 12    | 63   | Spool | 20043       |     |
| <b>1105244</b> | 12    | 42   | Spool | 20040       |     |
| <b>1105348</b> | 12    | 63   | Spool | 20041       |     |
| <b>1105351</b> | 12    | 42   | Spool | 20040       |     |
| <b>1105354</b> | 12    | 42   | Spool | 20141       |     |
| <b>1105356</b> | 12    | 63   | Spool | 20142       |     |
| <b>1105357</b> | 12    | 78   | Spool | 20222       |     |
| <b>1105360</b> | 12    | 63   | Spool | 20039       |     |
| <b>1105365</b> | 12    | 63   | Spool | 20041       |     |
| <b>1105455</b> | 12    | 63   | Spool | 53170       |     |
| <b>1105456</b> | 12    | 63   | Spool | 53170       |     |
| <b>1105457</b> | 12    | 63   | Spool | 53170       |     |
| <b>1105458</b> | 12    | 63   | Spool | 20039       |     |

| Part No.        | Volts | Amps | Mount | Replacement |       |
|-----------------|-------|------|-------|-------------|-------|
|                 |       |      |       | Reman       | New   |
| <b>1105505</b>  | 12    | 42   | Spool | 20141       |       |
| <b>1105522</b>  | 12    | 42   | Spool | 20038       |       |
| <b>1105556</b>  | 12    | 42   | Spool | 20038       |       |
| <b>1105607</b>  | 12    | 42   | Spool | 20040       |       |
| <b>1105608</b>  | 12    | 42   | Spool | 20040       |       |
| <b>1105649</b>  | 12    | 42   | Spool | 20038       |       |
| <b>1105677</b>  | 12    | 42   | Spool | 20038       |       |
| <b>1105691</b>  | 12    | 42   | Spool | 20042       |       |
| <b>1105703</b>  | 12    | 42   | Spool | 20042       |       |
| <b>1105704</b>  | 12    | 42   | Spool | 20038       |       |
| <b>1105705</b>  | 12    | 42   | Spool | 20040       |       |
| <b>1972711</b>  | 12    | 42   | Spool | 20038       | 91751 |
| <b>10459365</b> | 12    | 42   | Spool | 53165       |       |
| <b>10459509</b> | 12    | 63   | Spool | 53170       |       |
| <b>10480058</b> | 12    | 78   | Spool |             | 93037 |
| <b>10480060</b> | 24    | 40   | Spool |             | 93059 |
| <b>10495382</b> | 12    | 63   | Spool | 20039       | 91751 |
| <b>19020501</b> | 12    | 63   | Spool | 20039       | 91751 |
| <b>19020516</b> | 12    | 72   | Spool |             | 93037 |
| <b>19020532</b> | 24    | 40   | Spool |             | 93059 |

**11SI**

| Part No.       | Volts | Amps | Mount | Replacement |       |
|----------------|-------|------|-------|-------------|-------|
|                |       |      |       | New         | Model |
| <b>8400013</b> | 12    | 95   | Spool | 8600002     | 11SI  |
| <b>8400223</b> | 12    | 95   | Spool | 8400223     | 11SI  |
| <b>8600000</b> | 12    | 95   | Spool | 8600000     | 11SI  |
| <b>8600002</b> | 12    | 95   | Spool | 8600002     | 11SI  |
| <b>8600030</b> | 12    | 95   | Spool | 8600030     | 11SI  |
| <b>8600075</b> | 24    | 45   | Spool | 8600282     | 13SI  |

| Part No.        | Volts | Amps | Mount | Replacement |       |
|-----------------|-------|------|-------|-------------|-------|
|                 |       |      |       | New         | Model |
| <b>8600086</b>  | 12    | 95   | Spool | 19020208    | 11SI  |
| <b>19020203</b> | 12    | 70   | Spool | 19020207    | 11SI  |
| <b>19020204</b> | 12    | 95   | Spool | 19020208    | 11SI  |
| <b>19020207</b> | 12    | 70   | Spool | 19020207    | 11SI  |
| <b>19020208</b> | 12    | 95   | Spool | 19020208    | 11SI  |

**12SI**

| Part No.       | Volts | Amps | Mount | Replacement |
|----------------|-------|------|-------|-------------|
|                |       |      |       | Reman       |
| <b>1100200</b> | 12    | 78   | Spool | 20260       |
| <b>1100206</b> | 12    | 78   | Spool | 20260       |
| <b>1100207</b> | 12    | 78   | Spool | 20250       |
| <b>1100208</b> | 12    | 78   | Spool | 20260       |
| <b>1100209</b> | 12    | 78   | Spool | 20250       |
| <b>1100217</b> | 12    | 78   | Spool | 20260       |
| <b>1100237</b> | 12    | 78   | Spool | 20254       |
| <b>1100239</b> | 12    | 78   | Spool | 20260       |
| <b>1100240</b> | 12    | 78   | Spool | 20250       |
| <b>1100241</b> | 12    | 78   | Spool | 20254       |
| <b>1100242</b> | 12    | 78   | Spool | 20250       |
| <b>1100243</b> | 12    | 78   | Spool | 20254       |
| <b>1100244</b> | 12    | 78   | Spool | 20249       |
| <b>1100246</b> | 12    | 78   | Spool | 20254       |

| Part No.       | Volts | Amps | Mount | Replacement |
|----------------|-------|------|-------|-------------|
|                |       |      |       | Reman       |
| <b>1100247</b> | 12    | 78   | Spool | 20260       |
| <b>1100249</b> | 12    | 78   | Spool | 20260       |
| <b>1100250</b> | 12    | 78   | Spool | 20260       |
| <b>1100252</b> | 12    | 78   | Spool | 20260       |
| <b>1100253</b> | 12    | 78   | Spool | 20265       |
| <b>1100254</b> | 12    | 78   | Spool | 20257       |
| <b>1100255</b> | 12    | 78   | Spool | 20257       |
| <b>1100257</b> | 12    | 78   | Spool | 20254       |
| <b>1100258</b> | 12    | 78   | Spool | 20249       |
| <b>1100259</b> | 12    | 78   | Spool | 20254       |
| <b>1100260</b> | 12    | 78   | Spool | 20257       |
| <b>1100261</b> | 12    | 78   | Spool | 20265       |
| <b>1100263</b> | 12    | 78   | Spool | 20260       |
| <b>1100264</b> | 12    | 78   | Spool | 20257       |

| Part No. | Volts | Amps | Mount | Replacement |
|----------|-------|------|-------|-------------|
|          |       |      |       | Reman       |
| 1100265  | 12    | 78   | Spool | 20257       |
| 1100269  | 12    | 78   | Spool | 20254       |
| 1100270  | 12    | 78   | Spool | 20254       |
| 1100272  | 12    | 78   | Spool | 20257       |
| 1100273  | 12    | 78   | Spool | 20260       |
| 1100275  | 12    | 78   | Spool | 20260       |
| 1100287  | 12    | 78   | Spool | 20254       |
| 1100288  | 12    | 78   | Spool | 20250       |
| 1100289  | 12    | 78   | Spool | 20250       |
| 1100290  | 12    | 78   | Spool | 20250       |
| 1100291  | 12    | 78   | Spool | 20250       |
| 1100298  | 12    | 78   | Spool | 20260       |
| 1100299  | 12    | 78   | Spool | 20250       |
| 1100300  | 12    | 78   | Spool | 20250       |
| 1101134  | 12    | 94   | Spool | 21015       |
| 1101156  | 12    | 78   | Spool | 20260       |
| 1101157  | 12    | 78   | Spool | 20260       |
| 1101228  | 12    | 66   | Spool | 20220       |
| 1101240  | 12    | 94   | Spool | 20268       |
| 1101241  | 12    | 94   | Spool | 21015       |
| 1101242  | 12    | 78   | Spool | 20254       |
| 1101243  | 12    | 66   | Spool | 20260       |
| 1101244  | 12    | 78   | Spool | 20254       |
| 1101245  | 12    | 94   | Spool | 21015       |
| 1101298  | 12    | 78   | Spool | 20254       |
| 1101299  | 12    | 94   | Spool | 21015       |
| 1101300  | 12    | 78   | Spool | 20260       |
| 1101301  | 12    | 94   | Spool | 20266       |
| 1101302  | 12    | 94   | Spool | 20269       |
| 1101304  | 12    | 94   | Spool | 20269       |
| 1101305  | 12    | 94   | Spool | 20269       |
| 1101307  | 12    | 78   | Spool | 20260       |
| 1101308  | 12    | 94   | Spool | 20254       |
| 1101324  | 12    | 94   | Spool | 21015       |
| 1101484  | 12    | 94   | Spool | 20268       |
| 1105022  | 12    | 78   | Spool | 20250       |
| 1105023  | 12    | 78   | Spool | 20220       |
| 1105029  | 12    | 78   | Spool | 20220       |
| 1105032  | 12    | 78   | Spool | 20220       |
| 1105034  | 12    | 78   | Spool | 20260       |
| 1105036  | 12    | 78   | Spool | 20257       |
| 1105044  | 12    | 56   | Spool | 20250       |
| 1105045  | 12    | 78   | Spool | 20250       |
| 1105046  | 12    | 78   | Spool | 20250       |
| 1105047  | 12    | 56   | Spool | 20254       |
| 1105048  | 12    | 66   | Spool | 20254       |
| 1105049  | 12    | 78   | Spool | 20254       |
| 1105058  | 12    | 78   | Spool | 20260       |
| 1105059  | 12    | 78   | Spool | 20260       |
| 1105060  | 12    | 78   | Spool | 20260       |
| 1105081  | 12    | 78   | Spool | 20260       |

| Part No. | Volts | Amps | Mount | Replacement |
|----------|-------|------|-------|-------------|
|          |       |      |       | Reman       |
| 1105082  | 12    | 56   | Spool | 20250       |
| 1105083  | 12    | 78   | Spool | 20260       |
| 1105084  | 12    | 78   | Spool | 20250       |
| 1105091  | 12    | 78   | Spool | 20250       |
| 1105092  | 12    | 78   | Spool | 20250       |
| 1105183  | 12    | 78   | Spool | 20250       |
| 1105194  | 12    | 78   | Spool | 20220       |
| 1105245  | 12    | 78   | Spool | 20250       |
| 1105355  | 12    | 78   | Spool | 20249       |
| 1105367  | 12    | 78   | Spool | 20249       |
| 1105368  | 12    | 78   | Spool | 20265       |
| 1105370  | 12    | 78   | Spool | 20250       |
| 1105371  | 12    | 78   | Spool | 20220       |
| 1105372  | 12    | 78   | Spool | 20250       |
| 1105402  | 12    | 94   | Spool | 20266       |
| 1105425  | 12    | 94   | Spool | 21015       |
| 1105426  | 12    | 78   | Spool | 20254       |
| 1105427  | 12    | 78   | Spool | 20254       |
| 1105428  | 12    | 94   | Spool | 20221       |
| 1105439  | 12    | 78   | Spool | 20249       |
| 1105440  | 12    | 78   | Spool | 20249       |
| 1105441  | 12    | 94   | Spool | 20266       |
| 1105443  | 12    | 94   | Spool | 20267       |
| 1105444  | 12    | 94   | Spool | 20266       |
| 1105446  | 12    | 94   | Spool | 20268       |
| 1105447  | 12    | 94   | Spool | 20268       |
| 1105449  | 12    | 94   | Spool | 20268       |
| 1105480  | 12    | 94   | Spool | 20269       |
| 1105492  | 12    | 94   | Spool | 21015       |
| 1105493  | 12    | 94   | Spool | 20269       |
| 1105494  | 12    | 78   | Spool | 20254       |
| 1105495  | 12    | 94   | Spool | 21015       |
| 1105496  | 12    | 94   | Spool | 21015       |
| 1105503  | 12    | 78   | Spool | 20227       |
| 1105504  | 12    | 78   | Spool | 20227       |
| 1105506  | 12    | 94   | Spool | 20266       |
| 1105507  | 12    | 94   | Spool | 20266       |
| 1105508  | 12    | 78   | Spool | 20257       |
| 1105511  | 12    | 78   | Spool | 20250       |
| 1105516  | 12    | 78   | Spool | 20220       |
| 1105517  | 12    | 78   | Spool | 20220       |
| 1105521  | 12    | 78   | Spool | 20260       |
| 1105523  | 12    | 78   | Spool | 20260       |
| 1105541  | 12    | 94   | Spool | 20267       |
| 1105542  | 12    | 94   | Spool | 20267       |
| 1105543  | 12    | 94   | Spool | 20268       |
| 1105544  | 12    | 94   | Spool | 20268       |
| 1105545  | 12    | 94   | Spool | 20266       |
| 1105547  | 12    | 94   | Spool | 20267       |
| 1105555  | 12    | 78   | Spool | 20260       |
| 1105561  | 12    | 94   | Spool | 20228       |



# Delco Remy Alternators

**125I**

Alternators

| Part No. | Volts | Amps | Mount | Replacement |
|----------|-------|------|-------|-------------|
|          |       |      |       | Reman       |
| 1105562  | 12    | 94   | Spool | 20223       |
| 1105564  | 12    | 78   | Spool | 20244       |
| 1105565  | 12    | 78   | Spool | 20244       |
| 1105569  | 12    | 78   | Spool | 20223       |
| 1105572  | 12    | 94   | Spool | 20269       |
| 1105575  | 12    | 78   | Spool | 20227       |
| 1105576  | 12    | 78   | Spool | 20260       |
| 1105580  | 12    | 78   | Spool | 20250       |
| 1105581  | 12    | 94   | Spool | 20267       |
| 1105582  | 12    | 94   | Spool | 20266       |
| 1105588  | 12    | 78   | Spool | 20250       |
| 1105590  | 12    | 78   | Spool | 20250       |
| 1105591  | 12    | 78   | Spool | 20257       |
| 1105592  | 12    | 94   | Spool | 20268       |
| 1105594  | 12    | 78   | Spool | 20257       |
| 1105597  | 12    | 78   | Spool | 20260       |
| 1105598  | 12    | 78   | Spool | 20260       |
| 1105599  | 12    | 78   | Spool | 20260       |
| 1105600  | 12    | 78   | Spool | 20250       |
| 1105602  | 12    | 94   | Spool | 20266       |
| 1105603  | 12    | 78   | Spool | 20250       |
| 1105604  | 12    | 94   | Spool | 21015       |
| 1105606  | 12    | 94   | Spool | 20266       |
| 1105610  | 12    | 78   | Spool | 20260       |
| 1105611  | 12    | 78   | Spool | 20260       |
| 1105617  | 12    | 94   | Spool | 20223       |
| 1105620  | 12    | 78   | Spool | 20254       |
| 1105621  | 12    | 78   | Spool | 20260       |
| 1105623  | 12    | 78   | Spool | 20260       |

| Part No. | Volts | Amps | Mount | Replacement |
|----------|-------|------|-------|-------------|
|          |       |      |       | Reman       |
| 1105624  | 12    | 78   | Spool | 20260       |
| 1105627  | 12    | 78   | Spool | 20260       |
| 1105628  | 12    | 78   | Spool | 20254       |
| 1105629  | 12    | 94   | Spool | 21015       |
| 1105630  | 12    | 94   | Spool | 20266       |
| 1105631  | 12    | 78   | Spool | 20260       |
| 1105632  | 12    | 78   | Spool | 20254       |
| 1105633  | 12    | 78   | Spool | 20260       |
| 1105634  | 12    | 78   | Spool | 20227       |
| 1105635  | 12    | 78   | Spool | 20260       |
| 1105647  | 12    | 78   | Spool | 20260       |
| 1105648  | 12    | 78   | Spool | 20254       |
| 1105650  | 12    | 78   | Spool | 20254       |
| 1105651  | 12    | 94   | Spool | 21015       |
| 1105652  | 12    | 78   | Spool | 20250       |
| 1105653  | 12    | 78   | Spool | 20250       |
| 1105654  | 12    | 94   | Spool | 20268       |
| 1105673  | 12    | 78   | Spool | 20254       |
| 1105674  | 12    | 78   | Spool | 20250       |
| 1105675  | 12    | 78   | Spool | 20250       |
| 1105676  | 12    | 78   | Spool | 20250       |
| 1105692  | 12    | 78   | Spool | 20254       |
| 1105706  | 12    | 78   | Spool | 20254       |
| 1105707  | 12    | 78   | Spool | 20250       |
| 1105708  | 12    | 78   | Spool | 20250       |
| 10459338 | 12    | 94   | Spool | 20228       |
| 10459350 | 12    | 78   | Spool | 20220       |
| 10463060 | 12    | 94   | Spool | 21015       |
| 10479850 | 12    | 78   | Spool | 20221       |

**135I**

| Part No. | Volts | Amps | Mount | Replacement |
|----------|-------|------|-------|-------------|
|          |       |      |       | New         |
| 8600282  | 24    | 50   | Spool | 8600282     |

| Part No. | Volts | Amps | Mount | Replacement |
|----------|-------|------|-------|-------------|
|          |       |      |       | New         |
| 8600365  | 24    | 50   | Spool | 8600365     |

**155I**

| Part No. | Volts | Amps | Mount | Replacement |
|----------|-------|------|-------|-------------|
|          |       |      |       | Reman       |
| 1100223  | 12    | 85   | Spool | 20137       |
| 1100293  | 12    | 85   | Spool | 20137       |
| 1101041  | 12    | 85   | Spool | 20137       |
| 1101075  | 12    | 85   | Spool | 20137       |
| 1101081  | 12    | 85   | Spool | 20137       |
| 1101087  | 12    | 85   | Spool | 20137       |
| 1101094  | 12    | 85   | Spool | 20137       |
| 1101322  | 12    | 85   | Spool | 20137       |
| 1101700  | 12    | 85   | Spool | 20137       |
| 1105332  | 12    | 85   | Spool | 20137       |

| Part No. | Volts | Amps | Mount | Replacement |
|----------|-------|------|-------|-------------|
|          |       |      |       | Reman       |
| 1105346  | 12    | 85   | Spool | 20137       |
| 1105347  | 12    | 85   | Spool | 20137       |
| 1105622  | 12    | 85   | Spool | 20137       |
| 1100190  | 12    | 85   | Spool | 20224       |
| 1100282  | 12    | 85   | Spool | 20224       |
| 1100284  | 12    | 85   | Spool | 20224       |
| 1100193  | 12    | 85   | Spool | 20225       |
| 1100194  | 12    | 85   | Spool | 20225       |
| 1100195  | 12    | 85   | Spool | 20225       |
| 1100224  | 12    | 85   | Spool | 20225       |

| Part No. | Volts | Amps | Mount | Replacement |
|----------|-------|------|-------|-------------|
|          |       |      |       | Reman       |
| 1100283  | 12    | 85   | Spool | 20225       |
| 1100285  | 12    | 85   | Spool | 20225       |
| 1100286  | 12    | 85   | Spool | 20225       |
| 1100295  | 12    | 85   | Spool | 20225       |
| 1101065  | 12    | 85   | Spool | 20225       |
| 1101068  | 12    | 85   | Spool | 20225       |
| 1101070  | 12    | 85   | Spool | 20225       |
| 1105190  | 12    | 85   | Spool | 20225       |
| 1105334  | 12    | 85   | Spool | 20225       |
| 1105336  | 12    | 85   | Spool | 20225       |
| 1100192  | 12    | 85   | Spool | 20236       |
| 1100271  | 12    | 85   | Spool | 20236       |
| 1100296  | 12    | 85   | Spool | 20236       |
| 1101038  | 12    | 85   | Spool | 20236       |
| 1101039  | 12    | 85   | Spool | 20236       |
| 1101040  | 12    | 85   | Spool | 20236       |
| 1101080  | 12    | 85   | Spool | 20236       |
| 1101085  | 12    | 85   | Spool | 20236       |
| 1101097  | 12    | 85   | Spool | 20236       |
| 1101437  | 12    | 85   | Spool | 20236       |
| 1101448  | 12    | 85   | Spool | 20236       |
| 1105189  | 12    | 85   | Spool | 20236       |
| 1105200  | 12    | 85   | Spool | 20236       |
| 1105243  | 12    | 85   | Spool | 20236       |
| 1105246  | 12    | 85   | Spool | 20236       |
| 1105335  | 12    | 85   | Spool | 20236       |
| 1105339  | 12    | 85   | Spool | 20236       |

| Part No. | Volts | Amps | Mount | Replacement |
|----------|-------|------|-------|-------------|
|          |       |      |       | Reman       |
| 1105512  | 12    | 85   | Spool | 20236       |
| 1105552  | 12    | 85   | Spool | 20236       |
| 1101044  | 12    | 85   | Spool | 20239       |
| 1101045  | 12    | 85   | Spool | 20239       |
| 1101066  | 12    | 85   | Spool | 20239       |
| 1101088  | 12    | 85   | Spool | 20239       |
| 1101093  | 12    | 85   | Spool | 20239       |
| 1101118  | 12    | 85   | Spool | 20239       |
| 1105186  | 12    | 85   | Spool | 20239       |
| 1105343  | 12    | 85   | Spool | 20239       |
| 1105374  | 12    | 85   | Spool | 20239       |
| 1105518  | 12    | 85   | Spool | 20239       |
| 1105519  | 12    | 85   | Spool | 20239       |
| 1101076  | 12    | 85   | Spool | 20242       |
| 1101077  | 12    | 85   | Spool | 20242       |
| 1101079  | 12    | 85   | Spool | 20242       |
| 1101092  | 12    | 85   | Spool | 20242       |
| 1101096  | 12    | 85   | Spool | 20242       |
| 1101438  | 12    | 85   | Spool | 20242       |
| 1101441  | 12    | 85   | Spool | 20242       |
| 1101446  | 12    | 85   | Spool | 20242       |
| 1101447  | 12    | 85   | Spool | 20242       |
| 1105329  | 12    | 85   | Spool | 20242       |
| 1105337  | 12    | 85   | Spool | 20242       |
| 1105338  | 12    | 85   | Spool | 20242       |
| 1105340  | 12    | 85   | Spool | 20242       |
| 1105341  | 12    | 85   | Spool | 20242       |

## 175I

| Part No. | Volts | Amps | Mount | Replacement |
|----------|-------|------|-------|-------------|
|          |       |      |       | Reman       |
| 1100278  | 12    | 108  | Spool | 20219       |
| 1101113  | 12    | 108  | Spool | 20210       |
| 1101164  | 12    | 108  | Spool | 20210       |
| 1101215  | 12    | 120  | Spool | 20213       |
| 1101224  | 12    | 108  | Spool | 20209       |
| 1101225  | 12    | 108  | Spool | 20217       |
| 1101236  | 12    | 108  | Spool | 20212       |
| 1101252  | 12    | 120  | Spool | 20215       |
| 1101258  | 12    | 108  | Spool | 20209       |
| 1101290  | 12    | 120  | Spool | 20215       |
| 1101297  | 12    | 108  | Spool | 20212       |
| 1101306  | 12    | 108  | Spool | 20211       |
| 1101309  | 12    | 108  | Spool | 20209       |
| 1105085  | 12    | 108  | Spool | 20211       |
| 1105366  | 12    | 108  | Spool | 20212       |
| 1105373  | 12    | 108  | Spool | 20211       |
| 1105416  | 12    | 108  | Spool | 20211       |
| 1105450  | 12    | 108  | Spool | 20107       |

| Part No. | Volts | Amps | Mount | Replacement |
|----------|-------|------|-------|-------------|
|          |       |      |       | Reman       |
| 1105451  | 12    | 108  | Spool | 20211       |
| 1105479  | 12    | 108  | Spool | 20211       |
| 1105481  | 12    | 108  | Spool | 20211       |
| 1105491  | 12    | 108  | Spool | 20219       |
| 1105497  | 12    | 108  | Spool | 20211       |
| 1105509  | 12    | 108  | Spool | 20211       |
| 1105513  | 12    | 108  | Spool | 20211       |
| 1105515  | 12    | 108  | Spool | 20212       |
| 1105549  | 12    | 108  | Spool | 20210       |
| 1105553  | 12    | 108  | Spool | 20211       |
| 1105570  | 12    | 108  | Spool | 20212       |
| 1105585  | 12    | 120  | Spool | 20216       |
| 1105587  | 12    | 108  | Spool | 20210       |
| 1105595  | 12    | 108  | Spool | 20211       |
| 1105596  | 12    | 108  | Spool | 20212       |
| 1105618  | 12    | 108  | Spool | 20212       |
| 1105639  | 12    | 108  | Spool | 20209       |
| 1105656  | 12    | 120  | Spool | 20218       |

# Delco Remy Alternators

# 175I

| Part No. | Volts | Amps | Mount | Replacement |  |
|----------|-------|------|-------|-------------|--|
|          |       |      |       | Reman       |  |
| 1105680  | 12    | 120  | Spool | 20215       |  |
| 1105681  | 12    | 108  | Spool | 20211       |  |
| 1105683  | 12    | 120  | Spool | 20214       |  |

| Part No. | Volts | Amps | Mount | Replacement |  |
|----------|-------|------|-------|-------------|--|
|          |       |      |       | Reman       |  |
| 1105690  | 12    | 120  | Spool | 20213       |  |
| 10479867 | 12    | 108  | Spool | 20211       |  |

# 185I

| Part No. | Volts | Amps | Mount | Replacement |  |
|----------|-------|------|-------|-------------|--|
|          |       |      |       | New         |  |
| 19070022 | 28    | 100  | Spool | 19070022    |  |

# 205I

| Part No. | Volts | Amps | Mount      | Replacement |         |
|----------|-------|------|------------|-------------|---------|
|          |       |      |            | Reman       | New     |
| 1117611  | 12    | 60   | J180 Hinge |             | 1117641 |
| 1117612  | 12    | 60   | J180 Hinge |             | 1117641 |
| 1117613  | 12    | 60   | J180 Hinge | 10459020    | 1117641 |
| 1117614  | 24    | 45   | J180 Hinge | 10459319    | 1117619 |
| 1117615  | 24    | 45   | J180 Hinge | 10459319    | 1117619 |
| 1117616  | 12    | 60   | J180 Hinge |             | 1117641 |
| 1117618  | 12    | 60   | J180 Hinge |             | 1117641 |
| 1117619  | 24    | 50   | J180 Hinge | 10459319    | 1117619 |
| 1117621  | 12    | 60   | J180 Hinge | 10459020    | 1117641 |
| 1117622  | 24    | 45   | J180 Hinge | 10459319    | 1117619 |
| 1117623  | 24    | 35   | J180 Hinge | 1117655     | 1117647 |
| 1117624  | 12    | 60   | J180 Hinge |             | 1117641 |
| 1117628  | 12    | 60   | J180 Hinge | 10459020    | 1117641 |
| 1117630  | 24    | 45   | J180 Hinge | 10459319    | 1117619 |
| 1117631  | 24    | 35   | J180 Hinge | 1117655     | 1117647 |
| 1117640  | 24    | 35   | J180 Hinge | 1117655     | 1117647 |

| Part No. | Volts | Amps | Mount      | Replacement |         |
|----------|-------|------|------------|-------------|---------|
|          |       |      |            | Reman       | New     |
| 1117641  | 12    | 60   | J180 Hinge | 10459020    | 1117641 |
| 1117642  | 24    | 45   | J180 Hinge | 10459319    | 1117619 |
| 1117643  | 24    | 45   | J180 Hinge | 10459319    | 1117619 |
| 1117644  | 24    | 35   | J180 Hinge | 1117655     | 1117647 |
| 1117645  | 24    | 45   | J180 Hinge | 10459319    | 1117645 |
| 1117647  | 24    | 35   | J180 Hinge | 1117655     | 1117647 |
| 1117650  | 24    | 35   | J180 Hinge | 1117655     | 1117647 |
| 1117655  | 24    | 35   | J180 Hinge | 1117655     | 1117647 |
| 8600393  | 24    | 35   | J180 Hinge | 1117655     | 1117647 |
| 10459020 | 12    | 60   | J180 Hinge | 10459020    | 1117641 |
| 10459200 | 12    | 60   | J180 Hinge | 10459020    | 1117641 |
| 10459201 | 24    | 35   | J180 Hinge | 1117655     | 1117647 |
| 10459252 | 12    | 60   | J180 Hinge |             | 1117641 |
| 10459256 | 12    | 60   | J180 Hinge |             | 1117641 |
| 10459319 | 24    | 45   | J180 Hinge | 10459319    | 1117619 |

# 215I

| Part No. | Volts | Amps | Mount      | Replacement |          | Upgrade  |                      |         |
|----------|-------|------|------------|-------------|----------|----------|----------------------|---------|
|          |       |      |            | Reman       | New      | 22SI     | 24SI                 | 36SI    |
| 1117880  | 12    | 100  | J180 Hinge | 10459013    | 19010181 | 19020310 | 8600310 <sup>1</sup> | 8600126 |
| 1117884  | 12    | 100  | J180 Hinge | 10459453    |          | 19020310 | 8600310 <sup>1</sup> | 8600126 |
| 1117885  | 12    | 90   | J180 Hinge | 10459013    |          | 19020310 | 8600310 <sup>1</sup> | 8600126 |
| 1117886  | 12    | 100  | J180 Hinge | 10459013    | 19010105 | 19020310 | 8600310 <sup>1</sup> | 8600126 |
| 1117887  | 12    | 100  | J180 Hinge | 10459013    |          | 19020310 | 8600310 <sup>1</sup> | 8600126 |
| 1117888  | 12    | 125  | J180 Hinge | 10459453    |          | 19020310 | 8600310 <sup>1</sup> | 8600126 |
| 1117890  | 12    | 100  | J180 Hinge | 10459013    |          | 19020310 | 8600310 <sup>1</sup> | 8600126 |
| 1117891  | 12    | 115  | J180 Hinge | 10459037    |          | 19020310 | 8600310 <sup>1</sup> | 8600126 |
| 1117892  | 12    | 100  | J180 Hinge | 10459013    | 19010105 | 19020310 | 8600310 <sup>1</sup> | 8600126 |
| 1117894  | 12    | 100  | J180 Hinge | 10459013    |          | 19020310 | 8600310 <sup>1</sup> | 8600126 |
| 1117895  | 12    | 65   | J180 Hinge | 10459453    |          | 19020310 | 8600310 <sup>1</sup> | 8600126 |
| 1117896  | 12    | 130  | J180 Hinge | 10459453    |          | 19020310 | 8600310 <sup>1</sup> | 8600126 |
| 1117897  | 24    | 50   | J180 Hinge | 10459461    | 19010108 |          | 8600388 <sup>1</sup> |         |
| 1117898  | 12    | 125  | J180 Hinge |             |          | 19020310 | 8600310 <sup>1</sup> | 8600126 |
| 1117899  | 12    | 160  | J180 Hinge | 10459457    | 19010110 |          | 8600310 <sup>1</sup> | 8600126 |

| Part No. | Volts | Amps | Mount      | Replacement |          | Upgrade  |           |         |
|----------|-------|------|------------|-------------|----------|----------|-----------|---------|
|          |       |      |            | Reman       | New      | 22SI     | 24SI      | 36SI    |
| 1117900  | 24    | 70   | J180 Hinge | 10461235    | 19010182 |          | 8600388 † |         |
| 1117902  | 12    | 130  | J180 Hinge |             |          | 19020310 | 8600310 † | 8600126 |
| 1117903  | 12    | 100  | J180 Hinge | 10459046    |          | 19020310 | 8600310 † | 8600126 |
| 1117904  | 12    | 130  | J180 Hinge | 10459453    |          | 19020310 | 8600310 † | 8600126 |
| 1117905  | 12    | 100  | J180 Hinge | 10459013    |          | 19020310 | 8600310 † | 8600126 |
| 1117906  | 12    | 115  | J180 Hinge | 10459037    |          | 19020310 | 8600310 † | 8600126 |
| 1117907  | 12    | 100  | J180 Hinge | 10459046    |          | 19020310 | 8600310 † | 8600126 |
| 1117908  | 12    | 130  | J180 Hinge | 10459453    |          | 19020310 | 8600310 † | 8600126 |
| 1117909  | 12    | 130  | J180 Hinge | 10459037    | 19010126 | 19020310 | 8600310 † | 8600126 |
| 1117910  | 12    | 115  | J180 Hinge | 10459037    |          | 19020310 | 8600310 † | 8600126 |
| 1117911  | 12    | 130  | J180 Hinge | 10459037    |          | 19020310 | 8600310 † | 8600126 |
| 1117912  | 12    | 100  | J180 Hinge | 19020386    |          | 19020310 | 8600310 † | 8600126 |
| 1117913  | 12    | 115  | J180 Hinge |             |          | 19020310 | 8600310 † | 8600126 |
| 1117914  | 12    | 115  | J180 Hinge | 10459037    |          | 19020310 | 8600310 † | 8600126 |
| 1117915  | 24    | 70   | J180 Hinge | 10459261    | 1117915  |          | 8600388 † |         |
| 1117916  | 12    | 145  | J180 Hinge | 10459051    |          | 19020310 | 8600310 † | 8600126 |
| 1117917  | 12    | 160  | J180 Hinge |             |          |          | 8600310 † | 8600126 |
| 1117918  | 12    | 130  | J180 Hinge | 10459037    |          | 19020310 | 8600310 † | 8600126 |
| 1117919  | 12    | 160  | J180 Hinge |             |          |          | 8600310 † | 8600126 |
| 1117920  | 12    | 160  | J180 Hinge | 10459336    | 19010126 |          | 8600310 † | 8600126 |
| 1117921  | 12    | 145  | J180 Hinge | 10459051    |          | 19020310 | 8600310 † | 8600126 |
| 1117922  | 12    | 160  | J180 Hinge |             |          |          | 8600310 † | 8600126 |
| 1117923  | 12    | 115  | J180 Hinge | 10459037    |          | 19020310 | 8600310 † | 8600126 |
| 1117924  | 12    | 160  | J180 Hinge |             |          |          | 8600310 † | 8600126 |
| 1117925  | 12    | 65   | J180 Hinge | 10459013    |          | 19020310 | 8600310 † | 8600126 |
| 1117926  | 12    | 160  | J180 Hinge |             | 19010110 |          | 8600310 † | 8600126 |
| 1117927  | 12    | 100  | J180 Hinge | 10459046    |          | 19020310 | 8600310 † | 8600126 |
| 1117928  | 12    | 130  | J180 Hinge | 10459453    |          | 19020310 | 8600310 † | 8600126 |
| 1117929  | 12    | 130  | J180 Hinge | 10459037    |          | 19020310 | 8600310 † | 8600126 |
| 1117931  | 12    | 100  | J180 Hinge | 10459013    |          | 19020310 | 8600310 † | 8600126 |
| 1117932  | 12    | 115  | J180 Hinge | 10459037    |          | 19020310 | 8600310 † | 8600126 |
| 1117933  | 12    | 145  | J180 Hinge | 10459051    |          | 19020310 | 8600310 † | 8600126 |
| 1117934  | 12    | 160  | J180 Hinge |             |          |          | 8600310 † | 8600126 |
| 1117936  | 12    | 145  | J180 Hinge |             |          | 19020310 | 8600310 † | 8600126 |
| 1117937  | 12    | 100  | J180 Hinge | 10459013    |          | 19020310 | 8600310 † | 8600126 |
| 1117938  | 12    | 160  | J180 Hinge | 10459457    | 19010110 |          | 8600310 † | 8600126 |
| 1117939  | 12    | 100  | J180 Hinge | 10459453    |          | 19020310 | 8600310 † | 8600126 |
| 1117940  | 12    | 115  | J180 Hinge | 10459453    |          | 19020310 | 8600310 † | 8600126 |
| 1117941  | 12    | 115  | J180 Hinge | 10459037    |          | 19020310 | 8600310 † | 8600126 |
| 1117942  | 12    | 100  | J180 Hinge | 10459013    |          | 19020310 | 8600310 † | 8600126 |
| 1117943  | 12    | 130  | J180 Hinge | 10459037    |          | 19020310 | 8600310 † | 8600126 |
| 1117944  | 24    | 70   | J180 Hinge | 10461235    | 19010111 |          | 8600388 † |         |
| 1117945  | 12    | 145  | J180 Hinge |             |          | 19020310 | 8600310 † | 8600126 |
| 1117946  | 12    | 130  | J180 Hinge | 10459037    | 1117965  | 19020310 | 8600310 † | 8600126 |
| 1117947  | 12    | 115  | J180 Hinge | 10459037    |          | 19020310 | 8600310 † | 8600126 |
| 1117948  | 12    | 145  | J180 Hinge | 10459051    |          | 19020310 | 8600310 † | 8600126 |

# Delco Remy Alternators

**2151**

| Part No.        | Volts | Amps | Mount      | Replacement |          | Upgrade  |                      |         |
|-----------------|-------|------|------------|-------------|----------|----------|----------------------|---------|
|                 |       |      |            | Reman       | New      | 22SI     | 24SI                 | 36SI    |
| <b>1117949</b>  | 12    | 130  | J180 Hinge | 10459037    |          | 19020310 | 8600310 <sup>1</sup> | 8600126 |
| <b>1117950</b>  | 12    | 100  | J180 Hinge | 10459013    |          | 19020310 | 8600310 <sup>1</sup> | 8600126 |
| <b>1117951</b>  | 12    | 115  | J180 Hinge | 10459037    |          | 19020310 | 8600310 <sup>1</sup> | 8600126 |
| <b>1117952</b>  | 12    | 145  | J180 Hinge | 10459051    |          | 19020310 | 8600310 <sup>1</sup> | 8600126 |
| <b>1117953</b>  | 12    | 65   | J180 Hinge | 10459013    |          | 19020310 | 8600310 <sup>1</sup> | 8600126 |
| <b>1117954</b>  | 12    | 100  | J180 Hinge | 10459013    |          | 19020310 | 8600310 <sup>1</sup> | 8600126 |
| <b>1117955</b>  | 12    | 100  | J180 Hinge | 10459013    |          | 19020310 | 8600310 <sup>1</sup> | 8600126 |
| <b>1117956</b>  | 12    | 100  | J180 Hinge | 10459013    |          | 19020310 | 8600310 <sup>1</sup> | 8600126 |
| <b>1117957</b>  | 12    | 115  | J180 Hinge | 10459037    |          | 19020310 | 8600310 <sup>1</sup> | 8600126 |
| <b>1117958</b>  | 12    | 115  | J180 Hinge | 10459037    |          | 19020310 | 8600310 <sup>1</sup> | 8600126 |
| <b>1117959</b>  | 12    | 115  | J180 Hinge | 10459037    |          | 19020310 | 8600310 <sup>1</sup> | 8600126 |
| <b>1117960</b>  | 12    | 65   | J180 Hinge | 10459013    |          | 19020310 | 8600310 <sup>1</sup> | 8600126 |
| <b>1117961</b>  | 12    | 130  | J180 Hinge | 10459037    |          | 19020310 | 8600310 <sup>1</sup> | 8600126 |
| <b>1117962</b>  | 12    | 115  | J180 Hinge | 10459037    | 19010166 | 19020310 | 8600310 <sup>1</sup> | 8600126 |
| <b>1117963</b>  | 12    | 115  | J180 Hinge | 10459037    |          | 19020310 | 8600310 <sup>1</sup> | 8600126 |
| <b>1117964</b>  | 12    | 145  | J180 Hinge | 10459051    | 19010126 | 19020310 | 8600310 <sup>1</sup> | 8600126 |
| <b>1117965</b>  | 12    | 130  | J180 Hinge | 10459037    | 1117965  | 19020310 | 8600310 <sup>1</sup> | 8600126 |
| <b>1117966</b>  | 12    | 130  | J180 Hinge | 10459037    | 1117965  | 19020310 | 8600310 <sup>1</sup> | 8600126 |
| <b>10459013</b> | 12    | 100  | J180 Hinge | 10459013    |          | 19020310 | 8600310 <sup>1</sup> | 8600126 |
| <b>10459017</b> | 12    | 100  | J180 Hinge | 10459013    |          | 19020310 | 8600310 <sup>1</sup> | 8600126 |
| <b>10459023</b> | 12    | 100  | J180 Hinge |             |          | 19020310 | 8600310 <sup>1</sup> | 8600126 |
| <b>10459026</b> | 12    | 90   | J180 Hinge | 10459013    |          | 19020310 | 8600310 <sup>1</sup> | 8600126 |
| <b>10459027</b> | 12    | 100  | J180 Hinge | 10459046    |          | 19020386 |                      |         |
| <b>10459028</b> | 12    | 130  | J180 Hinge | 10459453    |          | 19020386 |                      |         |
| <b>10459035</b> | 12    | 100  | J180 Hinge | 10459013    |          | 19020310 | 8600310 <sup>1</sup> | 8600126 |
| <b>10459036</b> | 12    | 100  | J180 Hinge | 10459013    |          | 19020310 | 8600310 <sup>1</sup> | 8600126 |
| <b>10459037</b> | 12    | 130  | J180 Hinge | 10459037    |          | 19020310 | 8600310 <sup>1</sup> | 8600126 |
| <b>10459038</b> | 12    | 130  | J180 Hinge | 10459037    |          | 19020310 | 8600310 <sup>1</sup> | 8600126 |
| <b>10459039</b> | 12    | 100  | J180 Hinge | 10459013    |          | 19020310 | 8600310 <sup>1</sup> | 8600126 |
| <b>10459040</b> | 12    | 130  | J180 Hinge | 10459037    |          | 19020310 | 8600310 <sup>1</sup> | 8600126 |
| <b>10459041</b> | 12    | 115  | J180 Hinge | 10459037    |          | 19020310 | 8600310 <sup>1</sup> | 8600126 |
| <b>10459042</b> | 12    | 90   | J180 Hinge | 10459013    |          | 19020310 | 8600310 <sup>1</sup> | 8600126 |
| <b>10459043</b> | 12    | 100  | J180 Hinge | 10459013    |          | 19020310 | 8600310 <sup>1</sup> | 8600126 |
| <b>10459044</b> | 12    | 100  | J180 Hinge | 10459013    |          | 19020310 | 8600310 <sup>1</sup> | 8600126 |
| <b>10459045</b> | 12    | 100  | J180 Hinge | 10459013    |          | 19020310 | 8600310 <sup>1</sup> | 8600126 |
| <b>10459046</b> | 12    | 100  | J180 Hinge | 10459046    |          | 19020386 |                      |         |
| <b>10459047</b> | 12    | 130  | J180 Hinge | 10459037    |          | 19020310 | 8600310 <sup>1</sup> | 8600126 |
| <b>10459048</b> | 12    | 130  | J180 Hinge | 10459037    |          | 19020310 | 8600310 <sup>1</sup> | 8600126 |
| <b>10459049</b> | 12    | 130  | J180 Hinge | 10459453    |          | 19020386 |                      |         |
| <b>10459050</b> | 12    | 145  | J180 Hinge | 10459051    |          | 19020310 | 8600310 <sup>1</sup> | 8600126 |
| <b>10459051</b> | 12    | 145  | J180 Hinge | 10459051    |          | 19020310 | 8600310 <sup>1</sup> | 8600126 |
| <b>10459052</b> | 12    | 145  | J180 Hinge | 10459051    |          | 19020310 | 8600310 <sup>1</sup> | 8600126 |
| <b>10459053</b> | 12    | 145  | J180 Hinge | 10459051    |          | 19020310 | 8600310 <sup>1</sup> | 8600126 |
| <b>10459054</b> | 12    | 145  | J180 Hinge | 10459051    |          | 19020310 | 8600310 <sup>1</sup> | 8600126 |
| <b>10459055</b> | 12    | 100  | J180 Hinge | 10459013    |          | 19020310 | 8600310 <sup>1</sup> | 8600126 |
| <b>10459056</b> | 12    | 115  | J180 Hinge | 10459037    |          | 19020310 | 8600310 <sup>1</sup> | 8600126 |

**Alternators**



| Part No. | Volts | Amps | Mount      | Replacement |          | Upgrade  |                      |         |
|----------|-------|------|------------|-------------|----------|----------|----------------------|---------|
|          |       |      |            | Reman       | New      | 22SI     | 24SI                 | 36SI    |
| 10459059 | 12    | 115  | J180 Hinge | 10459037    |          | 19020310 | 8600310 <sup>1</sup> | 8600126 |
| 10459082 | 12    | 100  | J180 Hinge | 10459013    |          | 19020310 | 8600310 <sup>1</sup> | 8600126 |
| 10459104 | 12    | 100  | J180 Hinge | 10459013    |          | 19020310 | 8600310 <sup>1</sup> | 8600126 |
| 10459105 | 12    | 115  | J180 Hinge | 10459037    |          | 19020310 | 8600310 <sup>1</sup> | 8600126 |
| 10459106 | 12    | 145  | J180 Hinge | 10459051    |          | 19020310 | 8600310 <sup>1</sup> | 8600126 |
| 10459107 | 12    | 65   | J180 Hinge | 10459013    |          | 19020310 | 8600310 <sup>1</sup> | 8600126 |
| 10459109 | 12    | 100  | J180 Hinge | 10459013    |          | 19020310 | 8600310 <sup>1</sup> | 8600126 |
| 10459110 | 24    | 70   | J180 Hinge | 10461235    | 19010182 |          | 8600388 <sup>1</sup> |         |
| 10459111 | 12    | 130  | J180 Hinge | 10459037    |          | 19020310 | 8600310 <sup>1</sup> | 8600126 |
| 10459115 | 12    | 100  | J180 Hinge | 10459013    |          | 19020310 | 8600310 <sup>1</sup> | 8600126 |
| 10459117 | 12    | 130  | J180 Hinge | 10459037    |          | 19020310 | 8600310 <sup>1</sup> | 8600126 |
| 10459118 | 12    | 145  | J180 Hinge | 10459051    |          | 19020310 | 8600310 <sup>1</sup> | 8600126 |
| 10459133 | 12    | 145  | J180 Hinge | 10459051    |          | 19020310 | 8600310 <sup>1</sup> | 8600126 |
| 10459134 | 12    | 100  | J180 Hinge | 10459013    |          | 19020310 | 8600310 <sup>1</sup> | 8600126 |
| 10459135 | 12    | 130  | J180 Hinge | 10459037    |          | 19020310 | 8600310 <sup>1</sup> | 8600126 |
| 10459146 | 24    | 70   | J180 Hinge | 10459261    | 19010200 |          | 8600388 <sup>1</sup> |         |
| 10459154 | 12    | 100  | J180 Hinge | 10459013    |          | 19020310 | 8600310 <sup>1</sup> | 8600126 |
| 10459155 | 12    | 115  | J180 Hinge | 10459037    |          | 19020310 | 8600310 <sup>1</sup> | 8600126 |
| 10459156 | 12    | 145  | J180 Hinge | 10459051    |          | 19020310 | 8600310 <sup>1</sup> | 8600126 |
| 10459157 | 12    | 65   | J180 Hinge | 10459013    |          | 19020310 | 8600310 <sup>1</sup> | 8600126 |
| 10459158 | 12    | 100  | J180 Hinge | 10459013    |          | 19020310 | 8600310 <sup>1</sup> | 8600126 |
| 10459159 | 12    | 130  | J180 Hinge | 10459037    |          | 19020310 | 8600310 <sup>1</sup> | 8600126 |
| 10459160 | 12    | 145  | J180 Hinge | 10459051    |          | 19020310 | 8600310 <sup>1</sup> | 8600126 |
| 10459174 | 12    | 100  | J180 Hinge | 10459013    |          | 19020310 | 8600310 <sup>1</sup> | 8600126 |
| 10459186 | 12    | 145  | J180 Hinge |             |          | 19020310 | 8600310 <sup>1</sup> |         |
| 10459187 | 12    | 145  | J180 Hinge |             |          | 19020310 | 8600310 <sup>1</sup> | 8600126 |
| 10459209 | 12    | 100  | J180 Hinge | 10459013    |          | 19020310 | 8600310 <sup>1</sup> | 8600126 |
| 10459210 | 12    | 130  | J180 Hinge | 10459037    |          | 19020310 | 8600310 <sup>1</sup> | 8600126 |
| 10459211 | 12    | 145  | J180 Hinge | 10459051    |          | 19020310 | 8600310 <sup>1</sup> | 8600126 |
| 10459261 | 24    | 70   | J180 Hinge | 10459261    | 19010200 |          | 8600388 <sup>1</sup> |         |
| 10459262 | 24    | 70   | J180 Hinge | 10459261    | 19010200 |          | 8600388 <sup>1</sup> |         |
| 10459295 | 12    | 130  | J180 Hinge |             |          | 19020310 | 8600310 <sup>1</sup> | 8600126 |
| 10459301 | 12    | 130  | J180 Hinge | 19020309    |          | 19020310 | 8600310 <sup>1</sup> | 8600126 |
| 10459302 | 12    | 100  | J180 Hinge | 10459013    |          | 19020310 | 8600310 <sup>1</sup> | 8600126 |
| 10459336 | 12    | 160  | J180 Hinge | 10459336    | 19010126 |          | 8600310 <sup>1</sup> | 8600126 |
| 10459374 | 12    | 100  | J180 Hinge |             |          | 19020310 | 8600310 <sup>1</sup> | 8600126 |
| 10459453 | 12    | 130  | J180 Hinge | 10459453    |          | 19020386 |                      |         |
| 10459457 | 12    | 160  | J180 Hinge | 10459457    | 19010110 |          | 8600310 <sup>1</sup> | 8600126 |
| 10459460 | 12    | 160  | J180 Hinge | 10459457    | 19010110 |          |                      |         |
| 10459461 | 24    | 50   | J180 Hinge | 10459461    | 19010108 |          | 8600388 <sup>1</sup> |         |
| 10459462 | 12    | 145  | J180 Hinge |             | 19010126 | 19020310 | 8600310 <sup>1</sup> | 8600126 |
| 10459463 | 12    | 100  | J180 Hinge | 19020386    |          | 19020386 |                      |         |
| 10459547 | 12    | 125  | J180 Hinge |             |          | 19020310 | 8600310 <sup>1</sup> | 8600126 |
| 10461235 | 24    | 70   | J180 Hinge | 10461235    |          | 19020307 | 8600388 <sup>1</sup> |         |
| 10461236 | 12    | 130  | J180 Hinge | 10459037    |          | 19020310 | 8600310 <sup>1</sup> | 8600126 |
| 10469461 | 24    | 50   | J180 Hinge | 10459461    | 19010108 |          |                      |         |

# Delco Remy Alternators

**2151**

| Part No. | Volts | Amps | Mount      | Replacement |          | Upgrade  |                      |         |
|----------|-------|------|------------|-------------|----------|----------|----------------------|---------|
|          |       |      |            | Reman       | New      | 22SI     | 24SI                 | 36SI    |
| 19010100 | 12    | 100  | J180 Hinge | 10459013    |          | 19020310 | 8600310 <sup>1</sup> | 8600126 |
| 19010101 | 12    | 100  | J180 Hinge | 10459013    |          | 19020310 | 8600310 <sup>1</sup> | 8600126 |
| 19010102 | 12    | 100  | J180 Hinge | 10459013    |          | 19020310 | 8600310 <sup>1</sup> | 8600126 |
| 19010103 | 12    | 100  | J180 Hinge | 10459013    |          | 19020310 | 8600310 <sup>1</sup> | 8600126 |
| 19010104 | 12    | 115  | J180 Hinge | 10459037    |          | 19020310 | 8600310 <sup>1</sup> | 8600126 |
| 19010105 | 12    | 100  | J180 Hinge | 10459013    | 19010105 | 19020310 | 8600310 <sup>1</sup> | 8600126 |
| 19010108 | 24    | 50   | J180 Hinge | 10459461    | 19010108 |          | 8600388 <sup>1</sup> |         |
| 19010110 | 12    | 160  | J180 Hinge | 10459457    | 19010110 |          |                      |         |
| 19010111 | 24    | 70   | J180 Hinge | 10461235    | 19010111 |          | 8600388 <sup>1</sup> |         |
| 19010112 | 12    | 100  | J180 Hinge | 10459046    | 19010112 | 19020310 | 8600310 <sup>1</sup> | 8600126 |
| 19010113 | 12    | 130  | J180 Hinge | 10459457    | 19010110 | 19020310 | 8600310 <sup>1</sup> | 8600126 |
| 19010114 | 12    | 100  | J180 Hinge | 10459013    | 19010105 | 19020310 | 8600310 <sup>1</sup> | 8600126 |
| 19010115 | 12    | 130  | J180 Hinge | 10459037    | 19010126 | 19020310 | 8600310 <sup>1</sup> | 8600126 |
| 19010116 | 12    | 115  | J180 Hinge | 10459037    |          | 19020310 | 8600310 <sup>1</sup> | 8600126 |
| 19010118 | 12    | 100  | J180 Hinge | 19020386    |          | 19020310 | 8600310 <sup>1</sup> | 8600126 |
| 19010120 | 12    | 115  | J180 Hinge | 10459037    | 19010166 | 19020310 | 8600310 <sup>1</sup> | 8600126 |
| 19010124 | 12    | 130  | J180 Hinge | 10459037    |          | 19020310 | 8600310 <sup>1</sup> | 8600126 |
| 19010125 | 12    | 160  | J180 Hinge |             |          |          | 8600310 <sup>1</sup> | 8600126 |
| 19010126 | 12    | 160  | J180 Hinge | 10459336    | 19010126 |          | 8600310 <sup>1</sup> | 8600126 |
| 19010127 | 12    | 145  | J180 Hinge | 10459051    |          | 19020310 | 8600310 <sup>1</sup> | 8600126 |
| 19010129 | 12    | 115  | J180 Hinge | 10459037    |          | 19020310 | 8600310 <sup>1</sup> | 8600126 |
| 19010134 | 12    | 130  | J180 Hinge | 10459037    |          | 19020310 | 8600310 <sup>1</sup> | 8600126 |
| 19010136 | 12    | 100  | J180 Hinge | 10459013    |          | 19020310 | 8600310 <sup>1</sup> | 8600126 |
| 19010137 | 12    | 115  | J180 Hinge | 10459037    | 19010166 | 19020310 | 8600310 <sup>1</sup> | 8600126 |
| 19010138 | 12    | 145  | J180 Hinge | 10459051    |          | 19020310 | 8600310 <sup>1</sup> | 8600126 |
| 19010141 | 12    | 100  | J180 Hinge | 10459013    |          | 19020310 | 8600310 <sup>1</sup> | 8600126 |
| 19010145 | 12    | 115  | J180 Hinge | 10459037    |          | 19020310 | 8600310 <sup>1</sup> | 8600126 |
| 19010146 | 12    | 100  | J180 Hinge | 10459013    |          | 19020310 | 8600310 <sup>1</sup> | 8600126 |
| 19010147 | 12    | 130  | J180 Hinge | 10459037    |          | 19020310 | 8600310 <sup>1</sup> | 8600126 |
| 19010148 | 24    | 70   | J180 Hinge | 10461235    | 19010182 |          | 8600388 <sup>1</sup> |         |
| 19010150 | 12    | 130  | J180 Hinge | 10459037    |          | 19020310 | 8600310 <sup>1</sup> | 8600126 |
| 19010153 | 12    | 130  | J180 Hinge | 10459037    |          | 19020310 | 8600310 <sup>1</sup> | 8600126 |
| 19010154 | 12    | 100  | J180 Hinge | 10459013    |          | 19020310 | 8600310 <sup>1</sup> | 8600126 |
| 19010155 | 12    | 115  | J180 Hinge | 10459037    |          | 19020310 | 8600310 <sup>1</sup> | 8600126 |
| 19010156 | 12    | 145  | J180 Hinge | 10459051    |          | 19020310 | 8600310 <sup>1</sup> | 8600126 |
| 19010157 | 12    | 65   | J180 Hinge | 10459013    |          | 19020310 | 8600310 <sup>1</sup> | 8600126 |
| 19010158 | 12    | 100  | J180 Hinge | 10459013    |          | 19020310 | 8600310 <sup>1</sup> | 8600126 |
| 19010159 | 12    | 100  | J180 Hinge | 10459013    |          | 19020310 | 8600310 <sup>1</sup> | 8600126 |
| 19010160 | 12    | 100  | J180 Hinge | 10459013    |          | 19020310 | 8600310 <sup>1</sup> | 8600126 |
| 19010161 | 12    | 115  | J180 Hinge | 10459037    | 19010166 | 19020310 | 8600310 <sup>1</sup> | 8600126 |
| 19010162 | 12    | 115  | J180 Hinge | 10459037    |          | 19020310 | 8600310 <sup>1</sup> | 8600126 |
| 19010163 | 12    | 115  | J180 Hinge | 10459037    | 19010166 | 19020310 | 8600310 <sup>1</sup> | 8600126 |
| 19010164 | 12    | 65   | J180 Hinge | 10459013    |          | 19020310 | 8600310 <sup>1</sup> | 8600126 |
| 19010165 | 12    | 130  | J180 Hinge | 10459037    |          | 19020310 | 8600310 <sup>1</sup> | 8600126 |
| 19010166 | 12    | 115  | J180 Hinge | 10459037    | 19010166 | 19020310 | 8600310 <sup>1</sup> | 8600126 |
| 19010168 | 12    | 145  | J180 Hinge |             | 19010126 | 19020310 | 8600310 <sup>1</sup> | 8600126 |

Alternators

| Part No. | Volts | Amps | Mount      | Replacement |          | Upgrade  |                      |         |
|----------|-------|------|------------|-------------|----------|----------|----------------------|---------|
|          |       |      |            | Reman       | New      | 22SI     | 24SI                 | 36SI    |
| 19010169 | 12    | 130  | J180 Hinge |             |          | 19020310 | 8600310 <sup>1</sup> | 8600126 |
| 19010170 | 12    | 130  | J180 Hinge | 10459037    |          | 19020310 | 8600310 <sup>1</sup> | 8600126 |
| 19010171 | 12    | 130  | J180 Hinge | 10459037    |          | 19020310 | 8600310 <sup>1</sup> | 8600126 |
| 19010172 | 12    | 130  | J180 Hinge | 10459037    |          | 19020310 | 8600310 <sup>1</sup> | 8600126 |
| 19010173 | 12    | 130  | J180 Hinge | 10459037    |          | 19020310 | 8600310 <sup>1</sup> | 8600126 |
| 19010174 | 12    | 145  | J180 Hinge | 10459051    |          | 19020310 | 8600310 <sup>1</sup> | 8600126 |
| 19010175 | 12    | 145  | J180 Hinge | 10459051    |          | 19020310 | 8600310 <sup>1</sup> | 8600126 |
| 19010176 | 12    | 145  | J180 Hinge | 10459051    |          | 19020310 | 8600310 <sup>1</sup> | 8600126 |
| 19010178 | 12    | 130  | J180 Hinge |             |          | 19020310 | 8600310 <sup>1</sup> | 8600126 |
| 19010179 | 12    | 145  | J180 Hinge | 10459051    |          | 19020310 | 8600310 <sup>1</sup> | 8600126 |
| 19010180 | 12    | 145  | J180 Hinge |             |          | 19020310 | 8600310 <sup>1</sup> | 8600126 |
| 19010181 | 12    | 100  | J180 Hinge | 10459013    | 19010181 | 19020310 | 8600310 <sup>1</sup> | 8600126 |
| 19010182 | 24    | 70   | J180 Hinge | 10461235    | 19010182 |          | 8600388 <sup>1</sup> |         |
| 19010183 | 12    | 145  | J180 Hinge |             |          | 19020310 | 8600310 <sup>1</sup> | 8600126 |
| 19010184 | 12    | 145  | J180 Hinge |             |          | 19020310 | 8600310 <sup>1</sup> | 8600126 |
| 19010185 | 24    | 70   | J180 Hinge | 10459261    | 19010200 |          | 8600388 <sup>1</sup> |         |
| 19010186 | 12    | 100  | J180 Hinge | 10459013    |          | 19020310 | 8600310 <sup>1</sup> | 8600126 |
| 19010187 | 12    | 115  | J180 Hinge | 10459037    |          | 19020310 | 8600310 <sup>1</sup> | 8600126 |
| 19010188 | 12    | 130  | J180 Hinge | 10459037    |          | 19020310 | 8600310 <sup>1</sup> | 8600126 |
| 19010189 | 12    | 145  | J180 Hinge | 10459051    |          | 19020310 | 8600310 <sup>1</sup> | 8600126 |
| 19010190 | 12    | 100  | J180 Hinge | 10459013    |          | 19020310 | 8600310 <sup>1</sup> | 8600126 |
| 19010191 | 12    | 130  | J180 Hinge | 10459037    |          | 19020310 | 8600310 <sup>1</sup> | 8600126 |
| 19010192 | 12    | 145  | J180 Hinge | 10459051    |          | 19020310 | 8600310 <sup>1</sup> | 8600126 |
| 19010193 | 24    | 70   | J180 Hinge | 10459261    | 19010200 |          | 8600388 <sup>1</sup> |         |
| 19010194 | 12    | 100  | J180 Hinge | 10459013    |          | 19020310 | 8600310 <sup>1</sup> | 8600126 |
| 19010195 | 24    | 70   | J180 Hinge | 10461235    |          | 19020307 | 8600388 <sup>1</sup> |         |
| 19010196 | 12    | 130  | J180 Hinge | 10459037    |          | 19020310 | 8600310 <sup>1</sup> | 8600126 |
| 19010197 | 12    | 100  | J180 Hinge |             |          | 19020310 | 8600310 <sup>1</sup> | 8600126 |
| 19010199 | 24    | 50   | J180 Hinge |             | 19020346 |          | 8600388 <sup>1</sup> |         |
| 19010200 | 24    | 70   | J180 Hinge | 10459261    | 19010200 |          | 8600388 <sup>1</sup> |         |
| 19010202 | 12    | 160  | J180 Hinge |             |          |          | 8600310 <sup>1</sup> | 8600126 |
| 19010204 | 12    | 100  | J180 Hinge |             |          | 19020310 | 8600310 <sup>1</sup> | 8600126 |
| 19010207 | 12    | 130  | J180 Hinge | 10459037    |          | 19020310 | 8600310 <sup>1</sup> | 8600126 |
| 19010209 | 12    | 100  | J180 Hinge | 10459013    |          | 19020310 | 8600310 <sup>1</sup> | 8600126 |
| 19010210 | 12    | 115  | J180 Hinge | 10459037    |          | 19020310 | 8600310 <sup>1</sup> | 8600126 |
| 19010211 | 12    | 100  | J180 Hinge | 10459046    | 19010112 | 19020310 | 8600310 <sup>1</sup> | 8600126 |
| 19010212 | 12    | 130  | J180 Hinge | 10459037    |          | 19020310 | 8600310 <sup>1</sup> | 8600126 |
| 19010213 | 12    | 100  | J180 Hinge | 10459013    |          | 19020310 | 8600310 <sup>1</sup> | 8600126 |

## 2251

| Part No. | Volts | Amps | Mount | Replacement |     |           | Upgrade |      |
|----------|-------|------|-------|-------------|-----|-----------|---------|------|
|          |       |      |       | Reman       | New | All Makes | 24SI    | 36SI |
| 8600089  | 12    | 100  | Pad   | 8700053     |     |           |         |      |
| 8600112  | 12    | 100  | Pad   | 8700053     |     |           |         |      |
| 8600114  | 12    | 130  | Pad   | 8700055     |     |           |         |      |

# Delco Remy Alternators

**2251**

| Part No. | Volts | Amps | Mount      | Replacement |          |           | Upgrade              |                      |
|----------|-------|------|------------|-------------|----------|-----------|----------------------|----------------------|
|          |       |      |            | Reman       | New      | All Makes | 24SI                 | 36SI                 |
| 8600115  | 12    | 100  | Pad        | 8700053     |          |           |                      |                      |
| 8600117  | 12    | 130  | Pad        | 8700055     |          |           |                      |                      |
| 8600198  | 12    | 100  | J180 Hinge | 10459188    | 19020310 |           |                      |                      |
| 8600199  | 12    | 100  | J180 Hinge | 10459188    | 19020310 |           |                      |                      |
| 8600334  | 24    | 70   | J180 Hinge | 10459306    | 8600334  |           |                      |                      |
| 8700044  | 12    | 145  | J180 Hinge | 10459190    | 19020303 |           |                      |                      |
| 8700053  | 12    | 100  | Pad        | 8700053     |          |           | 8600143 <sup>1</sup> |                      |
| 8700054  | 12    | 160  | Pad        | 8700054     |          |           |                      |                      |
| 8700055  | 12    | 130  | Pad        | 8700055     |          |           |                      |                      |
| 10459188 | 12    | 100  | J180 Hinge | 10459188    | 19020310 |           | 8600310 <sup>1</sup> | 8600126              |
| 10459189 | 12    | 130  | J180 Hinge | 10459189    | 19020310 |           | 8600310 <sup>1</sup> | 8600126              |
| 10459190 | 12    | 145  | J180 Hinge | 10459190    | 19020303 | 19020310  | 8600310 <sup>1</sup> | 8600126              |
| 10459191 | 12    | 100  | J180 Hinge | 10459188    | 19020310 |           | 8600310 <sup>1</sup> | 8600126              |
| 10459192 | 12    | 130  | J180 Hinge | 10459189    | 19020310 |           | 8600310 <sup>1</sup> | 8600126              |
| 10459193 | 12    | 145  | J180 Hinge | 10459190    | 19020310 |           | 8600310 <sup>1</sup> | 8600126              |
| 10459204 | 12    | 100  | J180 Hinge | 10459204    |          | 19020310  | 8600310 <sup>1</sup> | 8600126              |
| 10459205 | 12    | 145  | J180 Hinge | 10459190    | 19020802 | 19020310  | 8600310 <sup>1</sup> | 8600126              |
| 10459212 | 12    | 130  | J180 Hinge | 10459189    | 19020310 |           | 8600310 <sup>1</sup> | 8600126              |
| 10459216 | 12    | 130  | J180 Hinge | 10459189    | 19020310 |           | 8600310 <sup>1</sup> | 8600126              |
| 10459254 | 12    | 145  | J180 Hinge | 10459190    | 19020802 | 19020310  | 8600310 <sup>1</sup> | 8600126              |
| 10459255 | 12    | 100  | J180 Hinge | 10459204    |          | 19020310  | 8600310 <sup>1</sup> |                      |
| 10459291 | 12    | 130  | J180 Hinge |             |          | 19020310  | 8600310 <sup>1</sup> | 8600126              |
| 10459292 | 12    | 130  | J180 Hinge |             |          | 19020310  | 8600310 <sup>1</sup> | 8600126              |
| 10459305 | 12    | 130  | J180 Hinge | 10459189    | 19020310 |           | 8600310 <sup>1</sup> | 8600126              |
| 10459306 | 24    | 70   | J180 Hinge | 10459306    | 19020307 |           | 8600388 <sup>1</sup> |                      |
| 10459318 | 12    | 100  | Pad        | 10459321    | 19020389 | 19020889  | 8600889 <sup>1</sup> | 8600127 <sup>2</sup> |
| 10459320 | 12    | 130  | Pad        | 10459320    | 19020888 | 19020889  | 8600889 <sup>1</sup> | 8600127 <sup>2</sup> |
| 10459321 | 12    | 145  | Pad        | 10459321    | 19020389 | 19020889  | 8600889 <sup>1</sup> | 8600127 <sup>2</sup> |
| 10459333 | 24    | 70   | J180 Hinge | 10459306    | 19020346 |           | 8600388 <sup>1</sup> |                      |
| 10459334 | 24    | 70   | J180 Hinge | 10459306    | 19020307 |           | 8600388 <sup>1</sup> |                      |
| 10459340 | 12    | 145  | Pad        | 10459321    | 19020389 | 19020889  | 8600889 <sup>1</sup> | 8600127 <sup>2</sup> |
| 10459341 | 12    | 130  | Pad        | 10459320    | 19020888 | 19020889  | 8600889 <sup>1</sup> | 8600127 <sup>2</sup> |
| 10459342 | 12    | 100  | Pad        | 10459321    | 19020387 | 19020889  | 8600889 <sup>1</sup> | 8600127 <sup>2</sup> |
| 10459360 | 12    | 100  | J180 Hinge |             | 19020309 | 19020310  | 8600310 <sup>1</sup> | 8600126              |
| 10459456 | 12    | 130  | J180 Hinge | 10459456    |          |           |                      |                      |
| 10459468 | 24    | 50   | J180 Hinge | 10459468    | 19020346 |           | 8600388 <sup>1</sup> |                      |
| 10459472 | 12    | 160  | J180 Hinge | 10459472    |          |           | 8600310 <sup>1</sup> | 8600126              |
| 10459481 | 12    | 100  | Pad        | 10459481    |          |           |                      |                      |
| 10459482 | 12    | 160  | Pad        | 10459596    |          |           |                      |                      |
| 10459483 | 12    | 130  | Pad        | 10459483    |          |           |                      |                      |
| 10459595 | 12    | 100  | Pad        | 8700053     |          |           |                      |                      |
| 10459596 | 12    | 160  | Pad        | 10459596    |          |           |                      |                      |
| 10459597 | 12    | 130  | Pad        | 10459596    |          |           |                      |                      |
| 10459601 | 12    | 145  | J180 Hinge |             | 19020303 | 19020310  | 8600310 <sup>1</sup> | 8600126              |
| 10459603 | 12    | 145  | Pad        |             | 19020389 | 19020889  | 8600889 <sup>1</sup> | 8600127 <sup>2</sup> |
| 10459604 | 12    | 100  | J180 Hinge | 10459188    | 19020310 |           | 8600310 <sup>1</sup> | 8600126              |

Alternators

| Part No. | Volts | Amps | Mount      | Replacement |          |           | Upgrade              |                      |
|----------|-------|------|------------|-------------|----------|-----------|----------------------|----------------------|
|          |       |      |            | Reman       | New      | All Makes | 24SI                 | 36SI                 |
| 10459633 | 12    | 130  | Pad        | 10459320    | 19020388 | 19020889  | 8600889 <sup>1</sup> | 8600127 <sup>2</sup> |
| 19020300 | 12    | 100  | J180 Hinge | 10459188    | 19020300 | 19020310  | 8600310 <sup>1</sup> | 8600126              |
| 19020302 | 12    | 130  | J180 Hinge | 10459189    | 19020302 | 19020310  | 8600310 <sup>1</sup> | 8600126              |
| 19020303 | 12    | 145  | J180 Hinge | 10459190    | 19020303 | 19020310  | 8600310 <sup>1</sup> | 8600126              |
| 19020304 | 12    | 130  | J180 Hinge | 10459189    | 19020310 |           | 8600310 <sup>1</sup> | 8600126              |
| 19020305 | 12    | 100  | J180 Hinge | 10459204    |          | 19020310  | 8600310 <sup>1</sup> | 8600126              |
| 19020306 | 12    | 145  | J180 Hinge | 10459190    | 19020802 | 19020310  | 8600310 <sup>1</sup> | 8600126              |
| 19020307 | 24    | 70   | J180 Hinge | 10459306    | 19020307 |           | 8600388 <sup>1</sup> |                      |
| 19020308 | 12    | 100  | J180 Hinge |             | 19020308 | 19020310  | 8600310 <sup>1</sup> | 8600126              |
| 19020309 | 12    | 130  | J180 Hinge |             | 19020309 | 19020310  | 8600310 <sup>1</sup> | 8600126              |
| 19020310 | 12    | 150  | J180 Hinge |             | 19020310 |           | 8600310 <sup>1</sup> | 8600126              |
| 19020311 | 24    | 70   | J180 Hinge | 10459306    | 19020346 |           | 8600388 <sup>1</sup> |                      |
| 19020312 | 12    | 100  | J180 Hinge |             | 19020309 | 19020310  | 8600310 <sup>1</sup> | 8600126              |
| 19020314 | 12    | 130  | J180 Hinge |             | 19020302 | 19020310  | 8600310 <sup>1</sup> | 8600126              |
| 19020345 | 12    | 145  | J180 Hinge |             |          | 19020310  | 8600310 <sup>1</sup> | 8600126              |
| 19020346 | 24    | 70   | J180 Hinge | 10459306    | 19020346 |           | 8600388 <sup>1</sup> |                      |
| 19020347 | 12    | 130  | J180 Hinge |             | 19020302 | 19020310  | 8600310 <sup>1</sup> | 8600126              |
| 19020349 | 12    | 100  | J180 Hinge |             |          | 19020310  | 8600310 <sup>1</sup> | 8600126              |
| 19020352 | 12    | 130  | J180 Hinge |             |          | 19020310  | 8600310 <sup>1</sup> | 8600126              |
| 19020354 | 12    | 100  | J180 Hinge |             | 19020309 | 19020310  | 8600310 <sup>1</sup> | 8600126              |
| 19020355 | 12    | 130  | J180 Hinge |             |          | 19020310  | 8600310 <sup>1</sup> | 8600126              |
| 19020356 | 12    | 130  | J180 Hinge |             | 19020309 | 19020310  | 8600310 <sup>1</sup> | 8600126              |
| 19020357 | 12    | 130  | J180 Hinge |             | 19020309 | 19020310  | 8600310 <sup>1</sup> | 8600126              |
| 19020358 | 12    | 145  | J180 Hinge | 10459190    | 19020310 |           | 8600310 <sup>1</sup> | 8600126              |
| 19020359 | 12    | 145  | J180 Hinge | 10459190    | 19020310 |           | 8600310 <sup>1</sup> | 8600126              |
| 19020360 | 12    | 100  | J180 Hinge |             | 19020309 | 19020310  | 8600310 <sup>1</sup> | 8600126              |
| 19020361 | 12    | 130  | J180 Hinge |             |          | 19020310  | 8600310 <sup>1</sup> | 8600126              |
| 19020362 | 12    | 100  | J180 Hinge |             | 19020309 | 19020310  | 8600310 <sup>1</sup> | 8600126              |
| 19020363 | 12    | 100  | J180 Hinge |             | 19020309 | 19020310  | 8600310 <sup>1</sup> | 8600126              |
| 19020364 | 12    | 145  | J180 Hinge | 10459190    | 19020310 |           | 8600310 <sup>1</sup> | 8600126              |
| 19020365 | 12    | 145  | J180 Hinge | 10459190    | 19020310 |           | 8600310 <sup>1</sup> | 8600126              |
| 19020366 | 24    | 50   | J180 Hinge | 10459468    | 19020346 |           | 8600388 <sup>1</sup> |                      |
| 19020374 | 12    | 145  | J180 Hinge |             |          | 19020310  | 8600310 <sup>1</sup> | 8600126              |
| 19020375 | 12    | 130  | J180 Hinge | 10459456    |          |           |                      |                      |
| 19020376 | 24    | 70   | J180 Hinge | 10459306    | 19020307 |           |                      |                      |
| 19020377 | 12    | 100  | J180 Hinge | 10459188    | 19020310 |           | 8600310 <sup>1</sup> | 8600126              |
| 19020378 | 12    | 160  | Pad        | 10459596    |          |           |                      |                      |
| 19020379 | 12    | 100  | J180 Hinge | 10459204    |          | 19020310  | 8600310 <sup>1</sup> | 8600126              |
| 19020380 | 12    | 130  | J180 Hinge |             | 19020310 |           | 8600310 <sup>1</sup> | 8600126              |
| 19020381 | 12    | 160  | J180 Hinge | 10459472    |          |           | 8600310 <sup>1</sup> | 8600126              |
| 19020382 | 24    | 70   | J180 Hinge | 10459306    | 19020307 |           | 8600388 <sup>1</sup> |                      |
| 19020383 | 24    | 50   | J180 Hinge | 10459468    | 19020346 |           | 8600388 <sup>1</sup> |                      |
| 19020384 | 12    | 130  | Pad        | 10459483    |          |           |                      |                      |
| 19020385 | 12    | 100  | Pad        | 10459481    |          |           |                      |                      |
| 19020386 | 12    | 130  | J180 Hinge |             | 19020386 |           |                      | 8600126              |
| 19020387 | 12    | 100  | Pad        | 10459321    | 19020387 | 19020889  | 8600889 <sup>1</sup> | 8600127 <sup>2</sup> |



# Delco Remy Alternators

**225I**

Alternators

| Part No. | Volts | Amps | Mount      | Replacement |          |           | Upgrade              |                      |
|----------|-------|------|------------|-------------|----------|-----------|----------------------|----------------------|
|          |       |      |            | Reman       | New      | All Makes | 24SI                 | 36SI                 |
| 19020388 | 12    | 130  | Pad        | 10459320    | 19020388 | 19020889  | 8600889 <sup>1</sup> | 8600127 <sup>2</sup> |
| 19020389 | 12    | 145  | Pad        | 10459321    | 19020389 | 19020889  | 8600889 <sup>1</sup> | 8600127 <sup>2</sup> |
| 19020391 | 24    | 70   | J180 Hinge | 10459306    | 19020307 |           | 8600388 <sup>1</sup> |                      |
| 19020392 | 12    | 100  | J180 Hinge |             |          | 19020310  | 8600310 <sup>1</sup> | 8600126              |
| 19020393 | 12    | 100  | Pad        | 10459481    |          |           | 8600143 <sup>1</sup> |                      |
| 19020394 | 12    | 160  | Pad        | 10459596    |          |           |                      |                      |
| 19020395 | 12    | 130  | Pad        | 10459596    |          |           |                      |                      |
| 19020396 | 12    | 100  | J180 Hinge | 10459188    | 19020396 | 19020310  | 8600310 <sup>1</sup> | 8600126              |
| 19020399 | 12    | 130  | J180 Hinge |             | 19020309 | 19020310  | 8600310 <sup>1</sup> | 8600126              |
| 19020800 | 12    | 130  | J180 Hinge |             |          | 19020310  | 8600310 <sup>1</sup> | 8600126              |
| 19020801 | 12    | 130  | J180 Hinge | 10459189    | 19020801 | 19020310  | 8600310 <sup>1</sup> | 8600126              |
| 19020802 | 12    | 145  | J180 Hinge | 10459190    | 19020802 | 19020310  | 8600310 <sup>1</sup> | 8600126              |
| 19020803 | 12    | 130  | Pad        | 10459320    | 19020803 | 19020889  | 8600889 <sup>1</sup> | 8600127 <sup>2</sup> |
| 19020804 | 12    | 145  | Pad        | 10459321    | 19020804 | 19020889  | 8600889 <sup>1</sup> | 8600127 <sup>2</sup> |
| 19020805 | 12    | 130  | J180 Hinge |             |          | 19020310  | 8600310 <sup>1</sup> | 8600126              |
| 19020806 | 12    | 100  | J180 Hinge | 10459188    | 19020310 |           | 8600310 <sup>1</sup> | 8600126              |
| 19020807 | 12    | 160  | J180 Hinge |             |          |           | 8600310 <sup>1</sup> | 8600126              |
| 19020808 | 12    | 100  | Pad        | 10459321    | 19020387 | 19020889  | 8600889 <sup>1</sup> | 8600127 <sup>2</sup> |
| 19020809 | 24    | 70   | J180 Hinge | 10459306    | 19020346 |           | 8600388 <sup>1</sup> |                      |
| 19020810 | 12    | 100  | Pad        | 10459481    |          |           | 8600143 <sup>1</sup> |                      |
| 19020811 | 12    | 160  | Pad        | 10459596    |          |           |                      |                      |
| 19020812 | 12    | 130  | Pad        | 10459483    |          |           |                      |                      |
| 19020813 | 12    | 100  | Pad        | 10459481    |          |           |                      |                      |
| 19020815 | 12    | 130  | Pad        | 8700055     |          |           |                      |                      |
| 19020818 | 12    | 130  | Pad        |             |          |           | 8600143 <sup>1</sup> |                      |
| 19020819 | 24    | 70   | J180 Hinge | 10459306    | 19020346 |           | 8600388 <sup>1</sup> |                      |
| 19020820 | 12    | 100  | J180 Hinge |             | 19020310 |           | 8600310 <sup>1</sup> | 8600126              |
| 19020821 | 12    | 100  | J180 Hinge |             | 19020310 |           | 8600310 <sup>1</sup> | 8600126              |
| 19020822 | 12    | 130  | J180 Hinge |             | 19020302 | 19020310  | 8600310 <sup>1</sup> | 8600126              |
| 19020823 | 12    | 145  | J180 Hinge | 10459190    | 19020303 | 19020310  | 8600310 <sup>1</sup> | 8600126              |
| 19020824 | 12    | 130  | Pad        | 10459320    | 19020388 | 19020889  | 8600889 <sup>1</sup> | 8600127 <sup>2</sup> |
| 19020825 | 12    | 145  | Pad        | 10459321    | 19020389 | 19020889  | 8600889 <sup>1</sup> | 8600127 <sup>2</sup> |
| 19020834 | 12    | 130  | J180 Hinge |             |          | 19020310  | 8600310 <sup>1</sup> | 8600126              |
| 19020835 | 12    | 100  | J180 Hinge |             |          | 19020310  | 8600310 <sup>1</sup> | 8600126              |
| 19020836 | 12    | 100  | J180 Hinge |             |          | 19020310  | 8600310 <sup>1</sup> | 8600126              |
| 19020839 | 12    | 100  | J180 Hinge |             |          | 19020310  | 8600310 <sup>1</sup> | 8600126              |
| 19020888 | 12    | 130  | Pad        | 10459320    | 19020888 | 19020889  | 8600889 <sup>1</sup> | 8600127 <sup>2</sup> |
| 19020889 | 12    | 150  | Pad        |             | 19020889 |           | 8600889 <sup>1</sup> | 8600127 <sup>2</sup> |

**235I**

| Part No. | Volts | Amps | Mount      | Replacement |         |       | Upgrade |
|----------|-------|------|------------|-------------|---------|-------|---------|
|          |       |      |            | Reman       | New     | Model | 24SI    |
| 8700014  | 12    | 100  | Pad        | 8700014     |         |       |         |
| 8700015  | 12    | 130  | Pad        | 8700015     |         |       |         |
| 10459218 | 12    | 100  | J180 Hinge |             | 8600064 | 35SI  | 8600310 |

| Part No. | Volts | Amps | Mount      | Replacement |          |       | Upgrade |
|----------|-------|------|------------|-------------|----------|-------|---------|
|          |       |      |            | Reman       | New      | Model | 24SI    |
| 10459273 | 24    | 70   | J180 Hinge |             |          |       | 8600388 |
| 10459274 | 24    | 70   | J180 Hinge |             | 19011153 | 33SI  | 8600388 |
| 10459275 | 12    | 100  | J180 Hinge | 10459275    | 8600064  | 35SI  | 8600310 |
| 10459277 | 12    | 145  | J180 Hinge |             |          |       | 8600310 |
| 10459280 | 24    | 70   | J180 Hinge |             | 19011153 | 33SI  | 8600388 |
| 10459281 | 12    | 145  | J180 Hinge |             |          |       | 8600310 |
| 10459282 | 12    | 100  | J180 Hinge |             | 8600064  | 35SI  | 8600310 |
| 10459283 | 12    | 100  | J180 Hinge | 10459275    | 8600064  | 35SI  | 8600310 |
| 10459286 | 24    | 55   | J180 Hinge |             |          |       | 8600388 |
| 10459294 | 12    | 100  | J180 Hinge | 10459294    | 8600064  | 35SI  | 8600310 |
| 10459303 | 12    | 130  | J180 Hinge | 10459303    | 8600064  | 35SI  | 8600310 |
| 10459372 | 24    | 50   | J180 Hinge |             |          |       | 8600388 |
| 19011000 | 12    | 100  | J180 Hinge |             | 8600064  | 35SI  | 8600310 |
| 19011001 | 12    | 115  | J180 Hinge |             | 8600064  | 35SI  | 8600310 |
| 19011002 | 12    | 130  | J180 Hinge |             | 8600064  | 35SI  | 8600310 |
| 19011003 | 12    | 145  | J180 Hinge |             |          |       | 8600310 |
| 19011004 | 24    | 50   | J180 Hinge |             |          |       | 8600388 |
| 19011005 | 24    | 70   | J180 Hinge |             | 19011153 | 33SI  | 8600388 |
| 19011006 | 12    | 100  | J180 Hinge |             | 8600064  | 35SI  | 8600310 |
| 19011007 | 12    | 100  | J180 Hinge |             | 8600064  | 35SI  | 8600310 |
| 19011008 | 12    | 130  | J180 Hinge |             | 8600064  | 35SI  | 8600310 |
| 19011009 | 12    | 100  | J180 Hinge | 10459275    | 8600064  | 35SI  | 8600310 |
| 19011010 | 24    | 70   | J180 Hinge |             | 19011153 | 33SI  | 8600388 |
| 19011011 | 24    | 75   | J180 Hinge |             |          |       | 8600388 |
| 19011012 | 24    | 55   | J180 Hinge |             |          |       | 8600388 |
| 19011013 | 12    | 100  | J180 Hinge |             | 8600064  | 35SI  | 8600310 |
| 19011014 | 24    | 70   | J180 Hinge |             | 19011153 | 33SI  | 8600388 |
| 19011015 | 24    | 50   | J180 Hinge |             |          |       | 8600388 |
| 19011016 | 12    | 100  | J180 Hinge | 10459294    | 8600064  | 35SI  | 8600310 |
| 19011017 | 12    | 130  | J180 Hinge | 10459303    | 8600064  | 35SI  | 8600310 |
| 19011018 | 24    | 55   | J180 Hinge |             |          |       | 8600388 |
| 19011019 | 24    | 70   | J180 Hinge |             | 19011153 | 33SI  | 8600388 |
| 19011022 | 12    | 130  | Pad        | 8700015     | 8600066  | 35SI  | 8600889 |
| 19011023 | 12    | 100  | Pad        | 8700014     | 8600066  | 35SI  | 8600889 |

## 24SI

| Part No. | Volts | Amps | Mount      | Replacement |          |
|----------|-------|------|------------|-------------|----------|
|          |       |      |            | Reman       | New      |
| 8600009  | 12    | 100  | J180 Hinge | 8700011     | 8600032  |
| 8600016  | 24    | 70   | Pad        |             | 8600016  |
| 8600017  | 24    | 70   | J180 Hinge | 8700019     | 8600017  |
| 8600018  | 12    | 130  | J180 Hinge |             | 19020903 |
| 8600019  | 12    | 160  | J180 Hinge | 8700021     | 8600142  |
| 8600020  | 24    | 70   | J180 Hinge | 8700019     | 8600017  |
| 8600032  | 12    | 100  | J180 Hinge | 8700011     | 8600032  |
| 8600043  | 12    | 160  | Pad        | 8700013     | 8600043  |

| Part No. | Volts | Amps | Mount      | Replacement |          |
|----------|-------|------|------------|-------------|----------|
|          |       |      |            | Reman       | New      |
| 8600067  | 12    | 145  | J180 Hinge | 8700009     | 19020901 |
| 8600068  | 12    | 160  | J180 Hinge | 8700021     | 8600068  |
| 8600081  | 12    | 160  | Pad        | 8700013     | 8600043  |
| 8600096  | 12    | 100  | Pad        | 8700012     | 8600096  |
| 8600100  | 12    | 145  | Pad        | 8700008     |          |
| 8600142  | 12    | 160  | J180 Hinge | 8700021     | 8600142  |
| 8600143  | 12    | 160  | Pad        | 8700013     | 8600143  |
| 8600151  | 12    | 100  | J180 Hinge | 8700011     | 8600032  |

# Delco Remy Alternators

**24SI**

**Alternators**

| Part No. | Volts | Amps | Mount      | Replacement |          |
|----------|-------|------|------------|-------------|----------|
|          |       |      |            | Reman       | New      |
| 8600152  | 12    | 130  | J180 Hinge |             | 19020903 |
| 8600153  | 12    | 160  | J180 Hinge | 8700021     | 8600142  |
| 8600154  | 24    | 70   | J180 Hinge | 8700019     | 8600017  |
| 8600163  | 12    | 100  | J180 Hinge | 8700011     | 8600032  |
| 8600164  | 12    | 130  | J180 Hinge |             | 19020903 |
| 8600165  | 12    | 145  | J180 Hinge | 8700009     | 19020901 |
| 8600166  | 12    | 100  | Pad        | 8700012     | 8600096  |
| 8600167  | 12    | 130  | Pad        | 8700012     | 8600403  |
| 8600168  | 12    | 145  | Pad        | 8700008     | 8600404  |
| 8600172  | 24    | 70   | J180 Hinge | 8700019     | 8600017  |
| 8600173  | 12    | 160  | J180 Hinge | 8700021     | 8600068  |
| 8600179  | 12    | 145  | Pad        | 8700008     | 19020900 |
| 8600193  | 12    | 145  | J180 Hinge | 8700009     | 19020901 |
| 8600220  | 12    | 160  | Pad        | 8700013     | 8600405  |
| 8600227  | 12    | 160  | Pad        | 8700013     | 8600405  |
| 8600228  | 12    | 100  | Pad        |             | 8600228  |
| 8600229  | 12    | 130  | Pad        | 8700012     | 8600229  |
| 8600231  | 12    | 145  | Pad        |             | 8600231  |
| 8600310  | 12    | 160  | J180 Hinge |             | 8600310  |
| 8600353  | 12    | 160  | J180 Hinge | 8700021     | 8600353  |
| 8600360  | 24    | 70   | J180 Hinge | 8700019     | 8600017  |
| 8600361  | 24    | 70   | J180 Hinge | 8700019     | 8600017  |
| 8600388  | 24    | 70   | J180 Hinge |             | 8600388  |
| 8600395  | 12    | 160  | J180 Hinge | 8700021     | 8600310  |
| 8600402  | 12    | 100  | Pad        | 8700012     | 8600402  |
| 8600403  | 12    | 130  | Pad        | 8700012     | 8600403  |
| 8600404  | 12    | 145  | Pad        | 8700008     | 8600404  |
| 8600405  | 12    | 160  | Pad        | 8700013     | 8600405  |
| 8600407  | 24    | 70   | J180 Hinge | 8700019     | 8600017  |
| 8600408  | 12    | 100  | J180 Hinge | 8700011     | 8600032  |
| 8600437  | 12    | 130  | J180 Hinge |             | 19020903 |
| 8600438  | 12    | 130  | Pad        | 8700012     | 19020902 |

| Part No. | Volts | Amps | Mount      | Replacement |          |
|----------|-------|------|------------|-------------|----------|
|          |       |      |            | Reman       | New      |
| 8600439  | 12    | 160  | J180 Hinge | 8700021     | 8600142  |
| 8600440  | 12    | 160  | J180 Hinge | 8700021     | 8600068  |
| 8600441  | 24    | 70   | Pad        |             | 8600016  |
| 8600442  | 24    | 70   | J180 Hinge | 8700019     | 8600017  |
| 8600471  | 24    | 70   | Pad        |             | 8600471  |
| 8600499  | 12    | 100  | J180 Hinge | 8700011     | 8600032  |
| 8600500  | 12    | 130  | J180 Hinge |             | 19020903 |
| 8600501  | 12    | 130  | Pad        | 8700012     | 19020902 |
| 8600502  | 12    | 160  | J180 Hinge | 8700021     | 8600142  |
| 8600503  | 12    | 160  | J180 Hinge | 8700021     | 8600068  |
| 8600504  | 24    | 70   | J180 Hinge | 8700019     | 8600017  |
| 8600505  | 24    | 70   | J180 Hinge | 8700019     | 8600017  |
| 8600506  | 24    | 70   | Pad        |             | 8600016  |
| 8600519  | 12    | 160  | Pad        | 8700013     | 8600519  |
| 8600889  | 12    | 160  | Pad        |             | 8600889  |
| 8700008  | 12    | 145  | Pad        | 8700008     | 8600404  |
| 8700009  | 12    | 145  | J180 Hinge | 8700009     | 19020901 |
| 8700010  | 12    | 130  | Pad        | 8700010     |          |
| 8700011  | 12    | 100  | J180 Hinge | 8700011     | 8600032  |
| 8700012  | 12    | 130  | Pad        | 8700012     | 8600403  |
| 8700013  | 12    | 160  | Pad        | 8700013     | 8600043  |
| 8700019  | 24    | 70   | J180 Hinge | 8700019     | 8600017  |
| 8700021  | 12    | 160  | J180 Hinge | 8700021     | 8600142  |
| 8700032  | 24    | 70   | J180 Hinge | 8700019     | 8600017  |
| 8700033  | 12    | 100  | J180 Hinge | 8700011     | 8600032  |
| 8700034  | 12    | 130  | J180 Hinge |             | 19020903 |
| 8700035  | 12    | 160  | J180 Hinge | 8700021     | 8600142  |
| 19020900 | 12    | 145  | Pad        | 8700008     | 19020900 |
| 19020901 | 12    | 145  | J180 Hinge | 8700009     | 19020901 |
| 19020902 | 12    | 130  | Pad        | 8700012     | 19020902 |
| 19020903 | 12    | 130  | J180 Hinge |             | 19020903 |

**25SI**

| Part No. | Volts | Amps | Mount      | Replacement |          |
|----------|-------|------|------------|-------------|----------|
|          |       |      |            | 26SI Reman  | 26SI New |
| 1117069  | 24    | 75   | J180 Hinge | 10459076    | 19010000 |
| 1117225  | 12    | 75   | J180 Hinge | 10459077    |          |
| 1117226  | 24    | 50   | J180 Hinge | 10459064    | 19010001 |
| 1117227  | 12    | 85   | J180 Hinge | 10459077    | 10459065 |
| 1117228  | 12    | 85   | J180 Hinge | 10459077    | 10459065 |
| 1117229  | 24    | 50   | J180 Hinge | 10459064    | 19010001 |
| 1117231  | 12    | 85   | J180 Hinge | 10459077    | 10459065 |
| 1117232  | 24    | 50   | J180 Hinge |             | 19010001 |
| 1117233  | 32    | 60   | J180 Hinge |             | 1117733  |
| 1117234  | 12    | 85   | J180 Hinge | 10459077    | 10459065 |
| 1117235  | 24    | 50   | J180 Hinge |             | 19010001 |
| 1117236  | 24    | 50   | J180 Hinge | 10459064    | 19010001 |
| 1117237  | 32    | 60   | J180 Hinge |             | 1117733  |
| 1117238  | 24    | 75   | J180 Hinge | 10459076    | 19010002 |

| Part No. | Volts | Amps | Mount      | Replacement |          |
|----------|-------|------|------------|-------------|----------|
|          |       |      |            | 26SI Reman  | 26SI New |
| 1117239  | 24    | 50   | J180 Hinge | 10459064    | 19010001 |
| 1117240  | 12    | 75   | J180 Hinge | 10459077    |          |
| 1117241  | 12    | 75   | J180 Hinge | 10459077    | 10459065 |
| 1117242  | 12    | 75   | J180 Hinge | 10459077    | 10459065 |
| 1117243  | 24    | 35   | J180 Hinge | 10459064    | 19010001 |
| 1117244  | 12    | 75   | J180 Hinge | 10459077    | 10459065 |
| 1117248  | 24    | 50   | J180 Hinge | 10459064    | 19010001 |
| 1117249  | 24    | 75   | J180 Hinge | 10459076    | 19010002 |
| 1117250  | 24    | 50   | J180 Hinge | 10459064    | 19010001 |
| 1117251  | 12    | 75   | J180 Hinge | 10459077    | 10459065 |
| 1117253  | 24    | 50   | J180 Hinge | 10459064    | 19010001 |
| 1117254  | 24    | 50   | J180 Hinge | 10459064    | 19010001 |
| 1117255  | 12    | 75   | J180 Hinge | 10459077    |          |
| 1117256  | 24    | 75   | J180 Hinge | 10459076    | 19010002 |

# 255I

# Delco Remy Alternators

Alternators

| Part No. | Volts | Amps | Mount      | Replacement |          |
|----------|-------|------|------------|-------------|----------|
|          |       |      |            | 26SI Reman  | 26SI New |
| 1117258  | 24    | 50   | J180 Hinge | 10459064    | 19010001 |
| 1117259  | 12    | 75   | J180 Hinge | 10459077    |          |
| 1117261  | 12    | 75   | J180 Hinge | 10459077    | 10459065 |
| 1117262  | 12    | 75   | J180 Hinge | 10459077    | 10459065 |
| 1117263  | 12    | 75   | J180 Hinge | 10459077    | 10459065 |
| 1117264  | 12    | 85   | J180 Hinge | 10459065    | 10459065 |
| 1117265  | 12    | 85   | J180 Hinge | 10459065    | 10459065 |
| 1117266  | 12    | 85   | J180 Hinge | 10459065    | 10459065 |
| 1117267  | 12    | 75   | J180 Hinge | 10459077    |          |
| 1117268  | 12    | 85   | J180 Hinge | 10459065    | 10459065 |
| 1117269  | 12    | 85   | J180 Hinge | 10459065    | 10459065 |
| 1117270  | 12    | 85   | J180 Hinge | 10459065    | 10459065 |
| 1117271  | 12    | 85   | J180 Hinge | 10459065    |          |
| 1117272  | 12    | 85   | J180 Hinge | 10459065    | 10459065 |

| Part No. | Volts | Amps | Mount      | Replacement |          |
|----------|-------|------|------------|-------------|----------|
|          |       |      |            | 26SI Reman  | 26SI New |
| 1117276  | 12    | 85   | J180 Hinge | 10459065    |          |
| 1117277  | 12    | 85   | J180 Hinge | 10459065    |          |
| 1117278  | 12    | 85   | J180 Hinge | 10459065    |          |
| 1117279  | 12    | 85   | J180 Hinge | 10459066    |          |
| 10459003 | 12    | 75   | J180 Hinge | 10459077    |          |
| 10459005 | 24    | 50   | J180 Hinge |             | 19010001 |
| 10459006 | 24    | 50   | J180 Hinge | 10459064    | 19010001 |
| 10459007 | 24    | 75   | J180 Hinge | 10459076    | 19010002 |
| 10459011 | 24    | 75   | J180 Hinge | 10459076    | 19010002 |
| 10459014 | 12    | 85   | J180 Hinge | 10459065    | 10459065 |
| 10459015 | 12    | 85   | J180 Hinge | 10459065    | 10459065 |
| 10459018 | 12    | 75   | J180 Hinge | 10459077    |          |
| 10459019 | 12    | 85   | J180 Hinge | 10459065    | 10459065 |
| 10459068 | 12    | 85   | J180 Hinge | 10459065    | 10459065 |

# 265I

| Part No. | Volts | Amps | Mount      | Replacement |          |
|----------|-------|------|------------|-------------|----------|
|          |       |      |            | Reman       | New      |
| 10459061 | 24    | 50   | J180 Hinge | 10459064    | 19010001 |
| 10459062 | 24    | 75   | J180 Hinge | 10459076    | 19010002 |
| 10459063 | 12    | 85   | J180 Hinge | 10459065    |          |
| 10459064 | 24    | 50   | J180 Hinge | 10459064    | 19010001 |
| 10459065 | 12    | 85   | J180 Hinge | 10459065    |          |
| 10459066 | 12    | 85   | J180 Hinge | 10459066    |          |
| 10459067 | 12    | 85   | J180 Hinge | 10459067    |          |
| 10459071 | 24    | 75   | J180 Hinge | 10459076    | 19010002 |
| 10459072 | 24    | 50   | J180 Hinge | 10459064    | 19010001 |
| 10459073 | 12    | 85   | J180 Hinge | 10459065    |          |
| 10459074 | 12    | 85   | J180 Hinge | 10459065    |          |
| 10459075 | 12    | 75   | J180 Hinge | 10459077    |          |
| 10459076 | 24    | 75   | J180 Hinge | 10459076    | 19010002 |
| 10459077 | 12    | 75   | J180 Hinge | 10459065    |          |
| 10459099 | 12    | 85   | J180 Hinge | 10459066    |          |
| 10459132 | 12    | 85   | J180 Hinge | 10459065    |          |
| 10459136 | 12    | 75   | J180 Hinge | 10459077    |          |
| 10459137 | 24    | 50   | J180 Hinge | 10459064    | 19010001 |
| 10459148 | 24    | 75   | J180 Hinge | 10459076    | 19010002 |
| 10459161 | 12    | 85   | J180 Hinge | 10459161    |          |
| 10459162 | 12    | 85   | J180 Hinge | 10459161    |          |
| 10461237 | 24    | 75   | J180 Hinge | 10459076    | 19010000 |

| Part No. | Volts | Amps | Mount      | Replacement |          |
|----------|-------|------|------------|-------------|----------|
|          |       |      |            | Reman       | New      |
| 19010000 | 24    | 75   | J180 Hinge | 10459076    | 19010000 |
| 19010001 | 24    | 50   | J180 Hinge | 10459064    | 19010001 |
| 19010002 | 24    | 75   | J180 Hinge | 10459076    | 19010002 |
| 19010003 | 12    | 85   | J180 Hinge | 10459065    |          |
| 19010005 | 12    | 85   | J180 Hinge | 10459066    |          |
| 19010006 | 24    | 50   | J180 Hinge | 10459064    | 19010001 |
| 19010007 | 12    | 85   | J180 Hinge | 10459067    |          |
| 19010008 | 24    | 75   | J180 Hinge | 10459076    | 19010002 |
| 19010009 | 12    | 85   | J180 Hinge | 10459065    |          |
| 19010010 | 12    | 85   | J180 Hinge | 10459067    |          |
| 19010011 | 12    | 85   | J180 Hinge | 10459067    |          |
| 19010012 | 12    | 85   | J180 Hinge | 10459067    |          |
| 19010013 | 12    | 85   | J180 Hinge | 10459067    |          |
| 19010014 | 12    | 85   | J180 Hinge | 10459067    |          |
| 19010018 | 12    | 85   | J180 Hinge | 10459161    |          |
| 19010019 | 12    | 85   | J180 Hinge | 10459065    |          |
| 19010020 | 24    | 50   | J180 Hinge | 10459064    | 19010001 |
| 19010022 | 24    | 75   | J180 Hinge | 10459076    | 19010000 |
| 19010023 | 24    | 50   | J180 Hinge | 10459064    | 19010001 |
| 19010025 | 24    | 75   | J180 Hinge | 10459076    | 19010000 |
| 19010026 | 24    | 50   | J180 Hinge | 10459064    | 19010001 |

# 275I

| Part No. | Volts | Amps | Mount      | Replacement | Upgrade  |      |      |      |
|----------|-------|------|------------|-------------|----------|------|------|------|
|          |       |      |            | Reman       | 22SI     | Amps | 24SI | Amps |
| 1100072  | 12    | 65   | J180 Hinge |             | 19020310 | 150  |      |      |
| 1100073  | 12    | 80   | J180 Hinge |             | 19020310 | 150  |      |      |
| 1100075  | 12    | 80   | J180 Hinge |             | 19020310 | 150  |      |      |
| 1100076  | 12    | 80   | J180 Hinge |             | 19020310 | 150  |      |      |

# Delco Remy Alternators

**2751**

| Part No.       | Volts | Amps | Mount      | Replacement | Upgrade  |      |         |      |
|----------------|-------|------|------------|-------------|----------|------|---------|------|
|                |       |      |            | Reman       | 22SI     | Amps | 24SI    | Amps |
| <b>1100077</b> | 12    |      | J180 Hinge |             |          |      | 8600388 | 70   |
| <b>1100080</b> | 12    | 80   | J180 Hinge |             | 19020310 | 150  |         |      |
| <b>1100081</b> | 12    | 65   | J180 Hinge |             | 19020310 | 150  |         |      |
| <b>1100082</b> | 12    | 65   | J180 Hinge |             | 19020310 | 150  | 8600310 | 160  |
| <b>1100083</b> | 12    | 80   | J180 Hinge |             | 19020310 | 150  | 8600310 | 160  |
| <b>1100086</b> | 12    | 65   | J180 Hinge |             | 19020310 | 150  | 8600310 | 160  |
| <b>1100087</b> | 12    | 80   | J180 Hinge |             | 19020310 | 150  | 8600310 | 160  |
| <b>1100091</b> | 12    | 100  | J180 Hinge |             | 19020310 | 150  | 8600310 | 160  |
| <b>1101015</b> | 12    | 100  | J180 Hinge | 20136       |          |      |         |      |
| <b>1101016</b> | 12    | 100  | J180 Hinge | 20136       |          |      |         |      |
| <b>1101018</b> | 12    | 100  | J180 Hinge | 20136       |          |      |         |      |
| <b>1101019</b> | 12    | 100  | J180 Hinge | 20136       |          |      |         |      |
| <b>1101020</b> | 12    | 100  | J180 Hinge | 20136       |          |      |         |      |
| <b>1101022</b> | 12    | 100  | J180 Hinge | 20136       |          |      |         |      |
| <b>1101023</b> | 12    | 100  | J180 Hinge | 20136       |          |      |         |      |
| <b>1101024</b> | 12    | 100  | J180 Hinge | 20136       |          |      |         |      |
| <b>1101025</b> | 12    | 100  | J180 Hinge | 20136       |          |      |         |      |
| <b>1101026</b> | 12    | 100  | J180 Hinge | 20136       |          |      |         |      |
| <b>1101027</b> | 12    | 100  | J180 Hinge | 20136       |          |      |         |      |
| <b>1101029</b> | 12    | 100  | J180 Hinge | 20136       |          |      |         |      |
| <b>1101030</b> | 12    | 100  | J180 Hinge | 20136       |          |      |         |      |
| <b>1101031</b> | 12    | 100  | J180 Hinge | 20136       |          |      |         |      |
| <b>1101033</b> | 12    | 100  | J180 Hinge | 20136       |          |      |         |      |
| <b>1101034</b> | 12    | 100  | J180 Hinge | 20136       |          |      |         |      |
| <b>1101035</b> | 12    | 100  | J180 Hinge | 20136       |          |      |         |      |
| <b>1101036</b> | 12    | 100  | J180 Hinge | 20136       |          |      |         |      |
| <b>1101043</b> | 12    | 100  | J180 Hinge | 20136       |          |      |         |      |
| <b>1101046</b> | 12    | 100  | J180 Hinge | 20136       |          |      |         |      |
| <b>1101048</b> | 12    | 100  | J180 Hinge | 20136       |          |      |         |      |
| <b>1101049</b> | 12    | 100  | J180 Hinge | 20136       |          |      |         |      |
| <b>1101050</b> | 12    | 100  | J180 Hinge | 20136       |          |      |         |      |
| <b>1101058</b> | 12    | 80   | J180 Hinge | 20136       |          |      |         |      |
| <b>1101059</b> | 12    | 100  | J180 Hinge | 20136       |          |      |         |      |
| <b>1101060</b> | 12    | 100  | J180 Hinge | 20136       |          |      |         |      |
| <b>1101061</b> | 12    | 80   | J180 Hinge | 20136       |          |      |         |      |
| <b>1101062</b> | 12    | 100  | J180 Hinge | 20136       |          |      |         |      |
| <b>1101063</b> | 12    | 100  | J180 Hinge | 20136       |          |      |         |      |
| <b>1101064</b> | 12    | 100  | J180 Hinge | 20136       |          |      |         |      |
| <b>1101073</b> | 12    | 100  | J180 Hinge | 20136       |          |      |         |      |
| <b>1101090</b> | 12    | 100  | J180 Hinge | 20136       |          |      |         |      |
| <b>1101091</b> | 12    | 100  | J180 Hinge | 20136       |          |      |         |      |
| <b>1101109</b> | 12    | 100  | J180 Hinge | 20136       |          |      |         |      |
| <b>1101178</b> | 12    | 100  | J180 Hinge | 20136       |          |      |         |      |
| <b>1105345</b> | 12    | 100  | J180 Hinge | 20136       |          |      |         |      |
| <b>1105637</b> | 12    | 100  | J180 Hinge | 20136       |          |      |         |      |
| <b>1105693</b> | 12    | 100  | J180 Hinge | 20136       |          |      |         |      |

**Alternators**



# 27SI

# Delco Remy Alternators

Alternators

| Part No. | Volts | Amps | Mount      | Replacement | Upgrade  |      |         |      |
|----------|-------|------|------------|-------------|----------|------|---------|------|
|          |       |      |            | Reman       | 22SI     | Amps | 24SI    | Amps |
| 1105709  | 12    | 100  | J180 Hinge | 20136       |          |      |         |      |
| 1979868  | 12    | 100  | J180 Hinge | 20136       |          |      |         |      |
| 1984277  | 24    | 65   | J180 Hinge |             |          |      | 8600388 | 70   |
| 10456313 | 12    | 80   | J180 Hinge |             | 19020310 | 150  | 8600310 | 160  |
| 10459012 | 12    | 100  | J180 Hinge |             | 19020310 | 150  | 8600310 | 160  |
| 10459069 | 12    | 80   | J180 Hinge |             | 19020310 | 150  | 8600310 | 160  |
| 10459152 | 12    | 65   | J180 Hinge |             | 19020310 | 150  | 8600310 | 160  |
| 10459153 | 24    | 65   | J180 Hinge |             |          |      | 8600388 | 70   |
| 10459233 | 12    | 100  | J180 Hinge |             | 19020310 | 150  | 8600310 | 160  |
| 10459236 | 12    |      | J180 Hinge |             | 19020310 | 150  | 8600310 | 160  |
| 10459238 | 12    | 100  | J180 Hinge |             | 19020310 | 150  | 8600310 | 160  |
| 10459244 | 24    | 65   | J180 Hinge |             |          |      | 8600388 | 70   |
| 10463072 | 12    | 80   | J180 Hinge |             | 19020310 | 150  | 8600310 | 160  |
| 10463073 | 12    | 65   | J180 Hinge |             | 19020310 | 150  | 8600310 | 160  |
| 10497177 | 12    | 80   | J180 Hinge |             | 19020310 | 150  | 8600310 | 160  |

# 28SI

| Part No. | Volts | Amps | Mount      | Replacement | Part No. | Volts | Amps | Mount      | Replacement |
|----------|-------|------|------------|-------------|----------|-------|------|------------|-------------|
|          |       |      |            | New         |          |       |      |            | New         |
| 8600078  | 12    | 180  | Pad        | 8600078     | 8600316  | 12    | 180  | Pad        | 8600316     |
| 8600201  | 12    | 160  | Pad        | 8600201     | 8600415  | 12    | 160  | Pad        | 8600415     |
| 8600223  | 12    | 180  | J180 Hinge | 8600223     | 8600416  | 12    | 180  | Pad        | 8600416     |
| 8600253  | 12    | 200  | Pad        | 8600253     | 8600417  | 12    | 200  | Pad        | 8600314     |
| 8600261  | 12    | 180  | J180 Hinge | 8600223     | 8600422  | 12    | 160  | Pad        | 8600315     |
| 8600267  | 12    | 160  | J180 Hinge | 8600312     | 8600423  | 24    | 110  | Pad        | 8600469     |
| 8600307  | 12    | 200  | J180 Hinge | 8600307     | 8600454  | 12    | 180  | J180 Hinge | 8600223     |
| 8600308  | 12    | 160  | J180 Hinge | 8600308     | 8600466  | 12    | 200  | J180 Hinge | 8600312     |
| 8600311  | 12    | 180  | J180 Hinge | 8600311     | 8600467  | 24    | 110  | J180 Hinge | 8600467     |
| 8600312  | 12    | 160  | J180 Hinge | 8600312     | 8600468  | 24    | 110  | J180 Hinge | 8600468     |
| 8600313  | 12    | 200  | J180 Hinge | 8600313     | 8600469  | 24    | 110  | Pad        | 8600469     |
| 8600314  | 12    | 200  | Pad        | 8600314     | 8600524  | 12    | 160  | Pad        | 8600315     |
| 8600315  | 12    | 160  | Pad        | 8600315     | 8600560  | 12    | 130  | Pad        | 8600308     |

# 30SI

| Part No. | Volts | Amps | Mount      | Replacement |         |       |      | Upgrade  |
|----------|-------|------|------------|-------------|---------|-------|------|----------|
|          |       |      |            | Reman       | New     | Model | Amps | 36SI New |
| 1117067  | 12    | 90   | J180 Hinge | 10459009    |         |       |      | 8600126  |
| 1117068  | 12    | 90   | J180 Hinge | 10459009    |         |       |      | 8600126  |
| 1117481  | 12    | 90   | J180 Hinge | 10459009    |         |       |      |          |
| 1117483  | 12    | 90   | J180 Hinge | 10459009    |         |       |      | 8600126  |
| 1117484  | 12    | 90   | J180 Hinge | 10459009    |         |       |      | 8600126  |
| 1117485  | 12    | 90   | J180 Hinge | 10459009    |         |       |      | 8600126  |
| 1117648  | 24    | 60   | J180 Hinge | 1117746     | 1117734 | 30SI  | 60   |          |
| 1117649  | 32    | 60   | J180 Hinge |             | 1117733 | 30SI  | 60   |          |
| 1117732  | 12    | 90   | J180 Hinge | 10459008    | 1117801 | 30SI  | 105  | 8600126  |
| 1117733  | 32    | 60   | J180 Hinge |             | 1117733 | 30SI  | 60   |          |

# Delco Remy Alternators

**30SI**

| Part No. | Volts | Amps | Mount      | Replacement |          |       |      | Upgrade |
|----------|-------|------|------------|-------------|----------|-------|------|---------|
|          |       |      |            | Reman       | New      | Model | Amps | 36SI    |
| 1117734  | 24    | 60   | J180 Hinge | 1117746     | 1117734  | 30SI  | 60   |         |
| 1117736  | 12    | 90   | J180 Hinge | 10459008    | 1117801  | 30SI  | 105  | 8600126 |
| 1117742  | 12    | 90   | J180 Hinge | 10459004    |          |       |      | 8600126 |
| 1117744  | 12    | 90   | J180 Hinge | 10459009    |          |       |      |         |
| 1117746  | 24    | 60   | J180 Hinge | 1117746     | 1117734  | 30SI  | 60   |         |
| 1117747  | 32    | 60   | J180 Hinge |             | 1117733  | 30SI  | 60   |         |
| 1117800  | 12    | 90   | J180 Hinge | 10459008    | 1117801  | 30SI  | 105  | 8600126 |
| 1117801  | 12    | 105  | J180 Hinge | 10459008    | 1117801  | 30SI  | 105  | 8600126 |
| 1117803  | 12    | 90   | J180 Hinge | 10459008    | 1117801  | 30SI  | 105  | 8600126 |
| 1117804  | 12    | 90   | J180 Hinge | 10459008    | 1117801  | 30SI  | 105  | 8600126 |
| 1117805  | 24    | 75   | J180 Hinge | 10459057    | 1117805  | 30SI  | 75   |         |
| 1117806  | 12    | 90   | J180 Hinge |             |          |       |      | 8600126 |
| 1117807  | 12    | 105  | J180 Hinge | 10459009    | 1117807  | 30SI  | 105  |         |
| 1117808  | 12    | 90   | J180 Hinge | 10459008    | 1117801  | 30SI  | 105  | 8600126 |
| 1117809  | 12    | 105  | J180 Hinge | 10459008    | 8600064  | 35SI  | 140  | 8600126 |
| 1117811  | 12    | 105  | J180 Hinge | 10459008    | 1117801  | 30SI  | 105  | 8600126 |
| 1117812  | 12    | 105  | J180 Hinge | 10459008    | 1117801  | 30SI  | 105  | 8600126 |
| 1117813  | 12    | 105  | J180 Hinge | 10459008    | 1117801  | 30SI  | 105  | 8600126 |
| 1117816  | 12    | 105  | J180 Hinge | 10459008    | 1117801  | 30SI  | 105  | 8600126 |
| 1117817  | 24    | 100  | J180 Hinge | 10459120    | 1117817  | 30SI  | 100  |         |
| 1117818  | 12    | 105  | J180 Hinge | 10459079    | 8600064  | 35SI  | 140  | 8600126 |
| 1117819  | 12    | 105  | J180 Hinge |             |          |       |      |         |
| 1117820  | 12    | 105  | J180 Hinge |             | 1117801  | 30SI  | 105  | 8600126 |
| 1117821  | 24    | 80   | J180 Hinge | 10459120    | 1117821  | 30SI  | 80   |         |
| 1117822  | 12    | 105  | J180 Hinge |             |          |       |      | 8600126 |
| 1117823  | 12    | 105  | J180 Hinge |             | 8600064  | 35SI  | 140  | 8600126 |
| 1117825  | 32    | 60   | J180 Hinge |             | 1117733  | 30SI  | 60   |         |
| 1117826  | 24    | 60   | J180 Hinge | 1117746     | 1117734  | 30SI  | 60   |         |
| 1117830  | 12    | 105  | J180 Hinge |             | 1117801  | 30SI  | 105  | 8600126 |
| 1117831  | 24    | 75   | J180 Hinge | 10459057    | 1117805  | 30SI  | 75   |         |
| 1117833  | 12    | 90   | J180 Hinge | 10459009    | 1117807  | 30SI  | 105  |         |
| 1117836  | 24    | 75   | J180 Hinge |             | 19011210 | 33SI  | 75   |         |
| 1117838  | 24    | 100  | J180 Hinge |             | 19011153 | 33SI  | 100  |         |
| 1117839  | 12    | 90   | J180 Hinge |             | 8600064  | 35SI  | 140  | 8600126 |
| 10459000 | 12    | 105  | J180 Hinge | 10459008    | 1117801  | 30SI  | 105  | 8600126 |
| 10459001 | 12    | 105  | J180 Hinge | 10459008    | 1117801  | 30SI  | 105  | 8600126 |
| 10459002 | 24    | 75   | J180 Hinge | 10459057    | 1117805  | 30SI  | 75   |         |
| 10459004 | 12    | 90   | J180 Hinge | 10459004    |          |       |      | 8600126 |
| 10459008 | 12    | 105  | J180 Hinge | 10459008    | 1117801  | 30SI  | 105  | 8600126 |
| 10459009 | 12    | 90   | J180 Hinge | 10459009    | 1117807  | 30SI  | 105  |         |
| 10459057 | 24    | 75   | J180 Hinge | 10459057    | 1117805  | 30SI  | 75   |         |
| 10459058 | 12    | 105  | J180 Hinge |             | 1117801  | 30SI  | 105  | 8600126 |
| 10459079 | 12    | 105  | J180 Hinge | 10459079    | 8600064  | 35SI  | 140  | 8600126 |
| 10459097 | 12    | 105  | J180 Hinge |             | 1117801  | 30SI  | 105  | 8600126 |
| 10459098 | 24    | 100  | J180 Hinge | 10459120    | 1117817  | 30SI  | 100  |         |
| 10459108 | 12    | 105  | J180 Hinge | 10459008    | 1117801  | 30SI  | 105  | 8600126 |
| 10459116 | 12    | 105  | J180 Hinge | 10459079    | 8600064  | 35SI  | 140  | 8600126 |

**Alternators**

| Part No. | Volts | Amps | Mount      | Replacement |         |       |      | Upgrade |
|----------|-------|------|------------|-------------|---------|-------|------|---------|
|          |       |      |            | Reman       | New     | Model | Amps | 36SI    |
| 10459119 | 12    | 105  | J180 Hinge | 10459008    | 1117801 | 30SI  | 105  | 8600126 |
| 10459120 | 24    | 100  | J180 Hinge | 10459120    | 1117817 | 30SI  | 100  |         |
| 10459138 | 12    | 105  | J180 Hinge | 10459079    | 8600064 | 35SI  | 140  | 8600126 |
| 10459149 | 12    | 90   | J180 Hinge | 10459009    |         |       |      | 8600126 |
| 10459150 | 12    | 105  | J180 Hinge | 10459008    | 8600064 | 35SI  | 140  | 8600126 |
| 10459151 | 24    | 60   | J180 Hinge | 1117746     | 1117734 | 30SI  | 60   |         |
| 10459202 | 12    | 105  | J180 Hinge | 10459008    | 1117801 | 30SI  | 105  | 8600126 |
| 10459203 | 24    | 100  | J180 Hinge | 10459120    | 1117817 | 30SI  | 100  |         |
| 10459207 | 24    | 100  | J180 Hinge | 10459120    | 1117817 | 30SI  | 100  |         |
| 10459237 | 24    | 75   | J180 Hinge | 10459057    | 1117805 | 30SI  | 75   |         |
| 10459257 | 12    | 105  | J180 Hinge | 10459008    | 8600064 | 35SI  | 140  | 8600126 |
| 10459258 | 12    | 105  | J180 Hinge | 10459008    | 8600064 | 35SI  | 140  | 8600126 |
| 10459259 | 12    | 105  | J180 Hinge |             |         |       |      |         |
| 10459260 | 12    | 105  | J180 Hinge |             |         |       |      | 8600126 |
| 10459325 | 32    | 60   | J180 Hinge |             | 1117733 | 30SI  | 60   |         |
| 10459368 | 12    | 105  | J180 Hinge | 10459009    | 1117807 | 30SI  | 105  |         |
| 10459369 | 12    | 105  | J180 Hinge | 10459368    | 1117801 | 30SI  | 105  | 8600126 |
| 10459564 | 12    | 105  | J180 Hinge | 10459368    | 1117801 | 30SI  | 105  | 8600126 |
| 10459590 | 24    | 100  | J180 Hinge | 10459120    | 1117817 | 30SI  | 100  | 8600232 |
| 10461238 | 24    | 75   | J180 Hinge | 10459120    | 1117817 | 30SI  | 100  |         |

**31SI**

| Part No. | Volts | Amps | Mount      | Upgrade |         | Part No. | Volts | Amps | Mount      | Upgrade |         |
|----------|-------|------|------------|---------|---------|----------|-------|------|------------|---------|---------|
|          |       |      |            | 28SI    | 40SI    |          |       |      |            | 28SI    | 40SI    |
| 8600046  | 12    | 160  | J180 Hinge | 8600308 | 8600395 | 19011105 | 12    | 200  | J180 Hinge | 8600307 | 8600392 |
| 19011100 | 12    | 160  | J180 Hinge | 8600308 | 8600390 | 19011107 | 12    | 160  | J180 Hinge | 8600308 | 8600393 |
| 19011101 | 12    | 160  | J180 Hinge | 8600308 | 8600390 | 19011112 | 12    | 200  | J180 Hinge | 8600307 | 8600394 |
| 19011104 | 12    | 200  | J180 Hinge | 8600307 | 8600391 |          |       |      |            |         |         |

**33SI**

| Part No. | Volts | Amps | Mount      | Replacement |       |      |          |       |      | Upgrade |      |
|----------|-------|------|------------|-------------|-------|------|----------|-------|------|---------|------|
|          |       |      |            | Reman       | Model | Amps | New      | Model | Amps | 36SI    | Amps |
| 8600277  | 24    | 100  | J180 Hinge | 10459196    | 33SI  | 100  | 8600277  | 33SI  | 100  |         |      |
| 8600332  | 24    | 100  | J180 Hinge |             |       |      | 19011165 | 33SI  | 100  |         |      |
| 8600333  | 24    | 100  | J180 Hinge | 10459196    | 33SI  | 100  | 8600333  | 33SI  | 100  |         |      |
| 10459141 | 12    | 135  | J180 Hinge | 8700016     | 35SI  | 140  | 8600064  | 35SI  | 140  | 8700046 | 165  |
| 10459142 | 12    | 135  | J180 Hinge | 8700016     | 35SI  | 140  | 8600064  | 35SI  | 140  | 8700046 | 165  |
| 10459143 | 12    | 110  | J180 Hinge | 8700016     | 35SI  | 140  | 8600064  | 35SI  | 140  | 8700046 | 165  |
| 10459144 | 12    | 110  | J180 Hinge | 8700016     | 35SI  | 140  | 8600064  | 35SI  | 140  | 8700046 | 165  |
| 10459180 | 12    | 135  | J180 Hinge | 8700016     | 35SI  | 140  | 8600064  | 35SI  | 140  | 8700046 | 165  |
| 10459181 | 12    | 135  | J180 Hinge | 8700016     | 35SI  | 140  | 8600064  | 35SI  | 140  | 8700046 | 165  |
| 10459182 | 12    | 110  | J180 Hinge | 8700016     | 35SI  | 140  | 8600064  | 35SI  | 140  | 8700046 | 165  |
| 10459183 | 12    | 110  | J180 Hinge | 8700016     | 35SI  | 140  | 8600064  | 35SI  | 140  | 8700046 | 165  |
| 10459194 | 12    | 110  | J180 Hinge | 8700016     | 35SI  | 140  | 8600064  | 35SI  | 140  | 8700046 | 165  |
| 10459195 | 12    | 135  | J180 Hinge | 8700016     | 35SI  | 140  | 8600064  | 35SI  | 140  | 8700046 | 165  |

# Delco Remy Alternators

**33SI**

Alternators

| Part No. | Volts | Amps | Mount      | Replacement |       |      |          |       |      | Upgrade |      |
|----------|-------|------|------------|-------------|-------|------|----------|-------|------|---------|------|
|          |       |      |            | Reman       | Model | Amps | New      | Model | Amps | 36SI    | Amps |
| 10459196 | 24    | 100  | J180 Hinge | 10459196    | 33SI  | 100  | 19011153 | 33SI  | 100  |         |      |
| 10459300 | 12    | 135  | Pad        | 8700018     | 35SI  | 140  |          |       |      | 8700047 | 165  |
| 10459311 | 24    | 75   | J180 Hinge | 10459311    | 33SI  | 75   | 19011210 | 33SI  | 75   |         |      |
| 10459450 | 12    | 135  | J180 Hinge | 8700016     | 35SI  | 140  | 8600064  | 35SI  | 140  | 8700046 | 165  |
| 10459473 | 12    | 110  | J180 Hinge | 8700016     | 35SI  | 140  | 8600064  | 35SI  | 140  | 8700046 | 165  |
| 19011150 | 12    | 110  | J180 Hinge | 8700016     | 35SI  | 140  | 8600064  | 35SI  | 140  | 8700046 | 165  |
| 19011151 | 12    | 110  | J180 Hinge | 8700016     | 35SI  | 140  | 8600064  | 35SI  | 140  | 8700046 | 165  |
| 19011152 | 12    | 135  | J180 Hinge | 8700016     | 35SI  | 140  | 8600064  | 35SI  | 140  | 8700046 | 165  |
| 19011153 | 24    | 100  | J180 Hinge | 10459196    | 33SI  | 100  | 19011153 | 33SI  | 100  |         |      |
| 19011154 | 12    | 110  | J180 Hinge | 8700016     | 35SI  | 140  | 8600064  | 35SI  | 140  | 8700046 | 165  |
| 19011155 | 12    | 135  | J180 Hinge | 8700016     | 35SI  | 140  | 8600064  | 35SI  | 140  | 8700046 | 165  |
| 19011156 | 12    | 135  | J180 Hinge | 8700016     | 35SI  | 140  | 8600064  | 35SI  | 140  | 8700046 | 165  |
| 19011158 | 12    | 110  | J180 Hinge | 8700016     | 35SI  | 140  | 8600064  | 35SI  | 140  | 8700046 | 165  |
| 19011159 | 12    | 135  | J180 Hinge | 8700016     | 35SI  | 140  | 8600064  | 35SI  | 140  | 8700046 | 165  |
| 19011160 | 12    | 110  | J180 Hinge | 8700016     | 35SI  | 140  | 8600064  | 35SI  | 140  | 8700046 | 165  |
| 19011161 | 12    | 135  | J180 Hinge | 8700016     | 35SI  | 140  | 8600064  | 35SI  | 140  | 8700046 | 165  |
| 19011162 | 12    | 110  | J180 Hinge | 8700016     | 35SI  | 140  | 8600064  | 35SI  | 140  | 8700046 | 165  |
| 19011163 | 12    | 135  | J180 Hinge | 8700016     | 35SI  | 140  | 8600064  | 35SI  | 140  | 8700046 | 165  |
| 19011165 | 24    | 100  | J180 Hinge |             |       |      | 19011165 | 33SI  | 100  |         |      |
| 19011171 | 12    | 135  | J180 Hinge | 8700016     | 35SI  | 140  | 8600064  | 35SI  | 140  | 8700046 | 165  |
| 19011173 | 12    | 135  | J180 Hinge | 8700016     | 35SI  | 140  | 8600064  | 35SI  | 140  | 8700046 | 165  |
| 19011174 | 12    | 110  | J180 Hinge | 8700016     | 35SI  | 140  | 8600064  | 35SI  | 140  | 8700046 | 165  |
| 19011175 | 24    | 100  | J180 Hinge | 10459196    | 33SI  | 100  | 19011153 | 33SI  | 100  |         |      |
| 19011180 | 24    | 100  | J180 Hinge | 10459196    | 33SI  | 100  | 8600333  | 33SI  | 100  |         |      |
| 19011182 | 12    | 135  | J180 Hinge | 8700016     | 35SI  | 140  | 8600064  | 35SI  | 140  | 8700046 | 165  |
| 19011192 | 24    | 75   | J180 Hinge | 10459311    | 33SI  | 75   | 19011210 | 33SI  | 75   |         |      |
| 19011193 | 12    | 110  | J180 Hinge |             |       |      | 19011164 | 33SI  | 110  |         |      |
| 19011200 | 12    | 135  | J180 Hinge | 8700016     | 35SI  | 140  | 8600064  | 35SI  | 140  | 8700046 | 165  |
| 19011203 | 24    | 100  | J180 Hinge |             |       |      | 19011165 | 33SI  | 100  |         |      |
| 19011210 | 24    | 75   | J180 Hinge | 10459311    | 33SI  | 75   | 19011210 | 33SI  | 75   |         |      |
| 19011211 | 12    | 110  | J180 Hinge | 8700016     | 35SI  | 140  | 8600064  | 35SI  | 140  | 8700046 | 165  |
| 19011212 | 12    | 135  | J180 Hinge | 8700016     | 35SI  | 140  | 8600064  | 35SI  | 140  | 8700046 | 165  |
| 19011217 | 12    | 135  | J180 Hinge | 8700016     | 35SI  | 140  | 8600064  | 35SI  | 140  | 8700046 | 165  |
| 19011218 | 12    | 135  | J180 Hinge | 8700016     | 35SI  | 140  | 8600064  | 35SI  | 140  | 8700046 | 165  |
| 19011220 | 12    | 135  | J180 Hinge | 8700016     | 35SI  | 140  | 8600064  | 35SI  | 140  | 8700046 | 165  |

**34SI**

| Part No. | Volts | Amps | Mount | Replacement |       |      |         |       |      | Upgrade |      |
|----------|-------|------|-------|-------------|-------|------|---------|-------|------|---------|------|
|          |       |      |       | Reman       | Model | Amps | New     | Model | Amps | 36SI    | Amps |
| 8600023  | 12    | 135  | Pad   | 8700018     | 35SI  | 140  | 8600066 | 35SI  | 140  |         |      |
| 8600050  | 24    | 75   | Quad  |             |       |      | 8600479 | 34SI  | 75   |         |      |
| 8600250  | 12    | 110  | Pad   | 8700018     | 35SI  | 140  | 8600066 | 35SI  | 140  |         |      |
| 8600251  | 12    | 135  | Pad   | 8700018     | 35SI  | 140  | 8600066 | 35SI  | 140  |         |      |
| 8600479  | 24    | 75   | Quad  |             |       |      | 8600479 | 34SI  | 75   |         |      |
| 8700050  | 24    | 75   | Quad  |             |       |      | 8600479 | 34SI  | 75   |         |      |

| Part No. | Volts | Amps | Mount | Replacement |       |      |          |       |      | Upgrade |      |
|----------|-------|------|-------|-------------|-------|------|----------|-------|------|---------|------|
|          |       |      |       | Reman       | Model | Amps | New      | Model | Amps | 36SI    | Amps |
| 10459145 | 12    | 110  | Quad  | 8700017     | 35SI  | 140  | 8600065  | 35SI  | 140  | 8700045 | 165  |
| 10459184 | 12    | 110  | Quad  | 8700017     | 35SI  | 140  | 8600065  | 35SI  | 140  | 8700045 | 165  |
| 10459197 | 12    | 110  | Quad  | 8700017     | 35SI  | 140  | 8600065  | 35SI  | 140  | 8700045 | 165  |
| 10459198 | 12    | 135  | Quad  | 8700017     | 35SI  | 140  | 8600065  | 35SI  | 140  | 8700045 | 165  |
| 10459199 | 24    | 100  | Quad  | 10459199    | 34SI  | 100  | 19011168 | 34SI  | 100  |         |      |
| 10459206 | 12    | 135  | Quad  | 8700017     | 35SI  | 140  | 8600065  | 35SI  | 140  | 8700045 | 165  |
| 10459278 | 12    | 135  | Pad   | 8700018     | 35SI  | 140  | 8600066  | 35SI  | 140  | 8700047 | 165  |
| 10459279 | 12    | 110  | Pad   | 8700018     | 35SI  | 140  | 8600066  | 35SI  | 140  | 8700047 | 165  |
| 10459284 | 12    | 110  | Pad   | 8700018     | 35SI  | 140  | 8600066  | 35SI  | 140  | 8700047 | 165  |
| 10459285 | 12    | 135  | Pad   | 8700018     | 35SI  | 140  | 8600066  | 35SI  | 140  | 8700047 | 165  |
| 10459288 | 12    | 135  | Pad   | 8700018     | 35SI  | 140  | 8600066  | 35SI  | 140  | 8700047 | 165  |
| 10459289 | 12    | 135  | Pad   | 8700018     | 35SI  | 140  | 8600127  | 36SI  | 170  | 8700047 | 165  |
| 10459290 | 12    | 135  | Quad  | 8700017     | 35SI  | 140  | 8600065  | 35SI  | 140  | 8700045 | 165  |
| 10459328 | 12    | 110  | Pad   | 8700018     | 35SI  | 140  | 8600127  | 36SI  | 170  | 8700047 | 165  |
| 10459329 | 12    | 135  | Quad  | 8700017     | 35SI  | 140  | 8600065  | 35SI  | 140  | 8700045 | 165  |
| 10459330 | 12    | 135  | Pad   | 8700018     | 35SI  | 140  | 8600066  | 35SI  | 140  | 8700047 | 165  |
| 10459335 | 24    | 75   | Quad  |             |       |      | 8600479  | 34SI  | 75   |         |      |
| 10459352 | 24    | 75   | Quad  |             |       |      | 8600479  | 34SI  | 75   |         |      |
| 10459353 | 24    | 75   | Quad  |             |       |      | 8600479  | 34SI  | 75   |         |      |
| 10459449 | 12    | 135  | Pad   | 8700018     | 35SI  | 140  | 8600066  | 35SI  | 140  | 8700047 | 165  |
| 10459451 | 12    | 135  | Quad  | 8700017     | 35SI  | 140  | 8600065  | 35SI  | 140  | 8700045 | 165  |
| 10459598 | 24    | 100  | Quad  | 10459199    | 34SI  | 100  | 19011168 | 34SI  | 100  |         |      |
| 10459632 | 12    | 135  | Pad   |             |       |      | 8600127  | 36SI  | 170  | 8700047 | 165  |
| 10461234 | 12    | 135  | Quad  | 8700017     | 35SI  | 140  | 8600065  | 35SI  | 140  | 8700045 | 165  |
| 19011157 | 12    | 110  | Quad  | 8700017     | 35SI  | 140  | 8600065  | 35SI  | 140  | 8700045 | 165  |
| 19011167 | 12    | 135  | Quad  | 8700017     | 35SI  | 140  | 8600065  | 35SI  | 140  | 8700045 | 165  |
| 19011168 | 24    | 100  | Quad  | 10459199    | 34SI  | 100  | 19011168 | 34SI  | 100  |         |      |
| 19011169 | 12    | 110  | Quad  | 8700017     | 35SI  | 140  | 8600065  | 35SI  | 140  | 8700045 | 165  |
| 19011170 | 12    | 135  | Quad  |             |       |      | 8600065  | 35SI  | 140  | 8700045 | 165  |
| 19011172 | 12    | 135  | Quad  | 8700017     | 35SI  | 140  | 8600065  | 35SI  | 140  | 8700045 | 165  |
| 19011176 | 12    | 110  | Pad   | 8700018     | 35SI  | 140  | 8600066  | 35SI  | 140  | 8700047 | 165  |
| 19011177 | 12    | 135  | Pad   | 8700018     | 35SI  | 140  | 8600066  | 35SI  | 140  | 8700047 | 165  |
| 19011179 | 12    | 135  | Quad  | 8700017     | 35SI  | 140  | 8600065  | 35SI  | 140  | 8700045 | 165  |
| 19011183 | 12    | 135  | Quad  |             |       |      | 8600125  | 36SI  | 170  | 8700045 | 165  |
| 19011185 | 24    | 100  | Pad   |             |       |      | 8600232  | 36SI  | 105  |         |      |
| 19011186 | 12    | 135  | Quad  |             |       |      | 8600125  | 36SI  | 170  | 8700045 | 165  |
| 19011187 | 12    | 135  | Pad   | 8700018     | 35SI  | 140  | 8600066  | 35SI  | 140  | 8700047 | 165  |
| 19011188 | 24    | 100  | Quad  | 10459199    | 34SI  | 100  | 19011168 | 34SI  | 100  |         |      |
| 19011189 | 24    | 75   | Quad  |             |       |      | 8600479  | 34SI  | 75   |         |      |
| 19011191 | 24    | 75   | Quad  |             |       |      | 19011191 | 34SI  | 75   |         |      |
| 19011195 | 24    | 75   | Quad  |             |       |      | 8600479  | 34SI  | 75   |         |      |
| 19011201 | 12    | 135  | Quad  | 8700017     | 35SI  | 140  | 8600065  | 35SI  | 140  | 8700045 | 165  |
| 19011202 | 12    | 135  | Pad   | 8700018     | 35SI  | 140  | 8600066  | 35SI  | 140  | 8700047 | 165  |
| 19011204 | 24    | 75   | Quad  |             |       |      | 8600479  | 34SI  | 75   |         |      |
| 19011205 | 24    | 75   | Quad  |             |       |      | 19011191 | 34SI  | 75   |         |      |
| 19011206 | 24    | 75   | Quad  |             |       |      | 19011191 | 34SI  | 75   |         |      |

# Delco Remy Alternators

## 34SI

| Part No. | Volts | Amps | Mount | Replacement |       |      |          |       |      | Upgrade |      |
|----------|-------|------|-------|-------------|-------|------|----------|-------|------|---------|------|
|          |       |      |       | Reman       | Model | Amps | New      | Model | Amps | 36SI    | Amps |
| 19011207 | 24    | 75   | Pad   |             |       |      | 8600232  | 36SI  | 105  |         |      |
| 19011208 | 24    | 100  | Quad  | 10459199    | 34SI  | 100  | 19011168 | 34SI  | 100  |         |      |
| 19011209 | 24    | 100  | Quad  | 10459199    | 34SI  | 100  | 19011168 | 34SI  | 100  |         |      |
| 19011215 | 12    | 110  | Pad   | 8700018     | 35SI  | 140  | 8600066  | 35SI  | 140  | 8700047 | 165  |
| 19011216 | 12    | 135  | Pad   | 8700018     | 35SI  | 140  | 8600066  | 35SI  | 140  | 8700047 | 165  |
| 19011219 | 12    | 135  | Quad  | 8700017     | 35SI  | 140  | 8600065  | 35SI  | 140  | 8700045 | 165  |
| 19011274 | 24    | 75   | Quad  |             |       |      | 19011191 | 34SI  | 75   |         |      |

## 35SI

| Part No. | Volts | Amps | Mount      | Replacement |         | Upgrade    |          |      |         |      |
|----------|-------|------|------------|-------------|---------|------------|----------|------|---------|------|
|          |       |      |            | Reman       | New     | 36SI Reman | 36SI New | Amps | 40SI    | Amps |
| 8600064  | 12    | 140  | J180 Hinge | 8700016     | 8600064 |            |          |      |         |      |
| 8600065  | 12    | 140  | Quad       | 8700017     | 8600065 |            |          |      |         |      |
| 8600066  | 12    | 140  | Pad        | 8700018     | 8600066 |            |          |      |         |      |
| 8600145  | 12    | 135  | Pad        | 8700018     |         | 8700047    | 8600127  | 170  |         |      |
| 8600159  | 12    | 110  | J180 Hinge | 8700016     | 8600064 |            |          |      |         |      |
| 8600160  | 12    | 135  | J180 Hinge | 8700016     | 8600064 |            |          |      |         |      |
| 8600161  | 12    | 110  | Pad        | 8700018     | 8600066 |            |          |      |         |      |
| 8600162  | 12    | 135  | Pad        | 8700018     | 8600066 |            |          |      |         |      |
| 8600244  | 12    | 135  | Pad        | 8700018     | 8600244 |            |          |      |         |      |
| 8600246  | 12    | 110  | Pad        | 8700018     | 8600066 |            |          |      |         |      |
| 8600247  | 12    | 135  | Pad        | 8700018     | 8600066 |            |          |      |         |      |
| 8600362  | 12    | 135  | J180 Hinge | 8700016     | 8600064 |            |          |      |         |      |
| 8600511  | 12    | 135  | J180 Hinge | 8700016     | 8600511 |            |          |      |         |      |
| 8700000  | 12    | 135  | J180 Hinge | 8700016     | 8600064 |            |          |      |         |      |
| 8700001  | 12    | 110  | Pad        | 8700018     | 8600066 |            |          |      |         |      |
| 8700002  | 12    | 135  | Pad        | 8700018     | 8600066 |            |          |      |         |      |
| 8700003  | 12    | 135  | Quad       | 8700017     | 8600065 |            |          |      |         |      |
| 8700004  | 12    | 135  | Pad        | 8700018     | 8600066 |            |          |      |         |      |
| 8700005  | 12    | 135  | J180 Hinge | 8700016     | 8600064 |            |          |      |         |      |
| 8700006  | 12    | 135  | Quad       | 8700017     | 8600065 |            |          |      |         |      |
| 8700007  | 12    | 135  | Pad        | 8700018     | 8600066 |            |          |      |         |      |
| 8700016  | 12    | 140  | J180 Hinge | 8700016     | 8600064 |            |          |      |         |      |
| 8700017  | 12    | 140  | Quad       | 8700017     | 8600065 |            |          |      |         |      |
| 8700018  | 12    | 140  | Pad        | 8700018     | 8600066 |            |          |      |         |      |
| 8700023  | 12    | 110  | J180 Hinge | 8700016     | 8600064 |            |          |      |         |      |
| 8700024  | 12    | 110  | J180 Hinge | 8700016     | 8600064 |            |          |      |         |      |
| 8700025  | 12    | 110  | Quad       | 8700017     | 8600065 |            |          |      |         |      |
| 8700026  | 12    | 135  | J180 Hinge | 8700016     | 8600064 |            |          |      |         |      |
| 8700027  | 12    | 135  | Quad       | 8700017     | 8600065 |            |          |      |         |      |
| 8700028  | 12    | 110  | J180 Hinge | 8700016     | 8600064 |            |          |      |         |      |
| 8700029  | 12    | 110  | Quad       | 8700017     | 8600065 |            |          |      |         |      |
| 8700030  | 12    | 110  | Pad        | 8700018     | 8600066 |            |          |      |         |      |
| 8700078  | 12    | 140  | Pad        | 8700018     | 8600066 |            |          |      |         |      |
| 10459606 | 12    | 110  | J180 Hinge | 8700016     | 8600064 | 8700046    | 8600126  | 170  | 8600339 | 240  |



| Part No. | Volts | Amps | Mount      | Replacement |         | Upgrade    |          |      |         |      |
|----------|-------|------|------------|-------------|---------|------------|----------|------|---------|------|
|          |       |      |            | Reman       | New     | 36SI Reman | 36SI New | Amps | 40SI    | Amps |
| 10459607 | 12    | 110  | Quad       | 8700017     | 8600065 | 8700045    | 8600125  | 170  |         |      |
| 10459608 | 12    | 110  | Pad        | 8700018     | 8600066 | 8700047    | 8600127  | 170  | 8600338 | 240  |
| 10459609 | 12    | 135  | J180 Hinge | 8700016     | 8600064 | 8700046    | 8600126  | 170  | 8600339 | 240  |
| 10459610 | 12    | 135  | Quad       | 8700017     | 8600065 | 8700045    | 8600125  | 170  |         |      |
| 10459611 | 12    | 135  | Pad        | 8700018     | 8600066 | 8700047    | 8600127  | 170  | 8600338 | 240  |
| 10459612 | 12    | 135  | J180 Hinge | 8700016     | 8600064 | 8700046    | 8600126  | 170  | 8600339 | 240  |
| 10459613 | 12    | 135  | Quad       | 8700017     | 8600065 | 8700045    | 8600125  | 170  |         |      |
| 10459614 | 12    | 135  | Pad        | 8700018     | 8600066 | 8700047    | 8600127  | 170  | 8600338 | 240  |
| 19011227 | 12    | 110  | J180 Hinge | 8700016     | 8600064 | 8700046    | 8600126  | 170  | 8600339 | 240  |
| 19011228 | 12    | 110  | J180 Hinge | 8700016     | 8600064 | 8700046    | 8600126  | 170  | 8600339 | 240  |
| 19011229 | 12    | 135  | J180 Hinge | 8700016     | 8600064 | 8700046    | 8600126  | 170  | 8600339 | 240  |
| 19011231 | 12    | 110  | J180 Hinge | 8700016     | 8600064 | 8700046    | 8600126  | 170  | 8600339 | 240  |
| 19011232 | 12    | 135  | J180 Hinge | 8700016     | 8600064 | 8700046    | 8600126  | 170  | 8600339 | 240  |
| 19011233 | 12    | 135  | J180 Hinge | 8700016     | 8600064 | 8700046    | 8600126  | 170  | 8600339 | 240  |
| 19011234 | 12    | 110  | Quad       | 8700017     | 8600065 | 8700045    | 8600125  | 170  |         |      |
| 19011244 | 12    | 135  | Quad       | 8700017     | 8600065 | 8700045    | 8600125  | 170  |         |      |
| 19011246 | 12    | 110  | Quad       | 8700017     | 8600065 | 8700045    | 8600125  | 170  |         |      |
| 19011247 | 12    | 135  | Quad       | 8700017     | 8600065 | 8700045    | 8600125  | 170  |         |      |
| 19011248 | 12    | 135  | J180 Hinge | 8700016     | 8600064 | 8700046    | 8600126  | 170  | 8600339 | 240  |
| 19011249 | 12    | 135  | Quad       | 8700017     | 8600065 | 8700045    | 8600125  | 170  |         |      |
| 19011252 | 12    | 110  | Pad        | 8700018     | 8600066 | 8700047    | 8600127  | 170  | 8600338 | 240  |
| 19011253 | 12    | 135  | Pad        | 8700018     | 8600066 | 8700047    | 8600127  | 170  | 8600338 | 240  |
| 19011255 | 12    | 135  | Quad       | 8700017     | 8600065 | 8700045    | 8600125  | 170  |         |      |
| 19011258 | 12    | 135  | Pad        | 8700018     | 8600066 | 8700047    | 8600127  | 170  | 8600338 | 240  |
| 19011260 | 12    | 135  | J180 Hinge | 8700016     | 8600064 | 8700046    | 8600126  | 170  | 8600339 | 240  |
| 19011261 | 12    | 135  | Quad       | 8700017     | 8600065 | 8700045    | 8600125  | 170  |         |      |
| 19011262 | 12    | 135  | Pad        | 8700018     | 8600066 | 8700047    | 8600127  | 170  | 8600338 | 240  |
| 19011263 | 12    | 110  | J180 Hinge | 8700016     | 8600064 | 8700046    | 8600126  | 170  | 8600339 | 240  |
| 19011264 | 12    | 135  | J180 Hinge | 8700016     | 8600064 | 8700046    | 8600126  | 170  | 8600339 | 240  |
| 19011265 | 12    | 110  | Quad       | 8700017     | 8600065 | 8700045    | 8600125  | 170  |         |      |
| 19011266 | 12    | 135  | Quad       | 8700017     | 8600065 | 8700045    | 8600125  | 170  |         |      |
| 19011267 | 12    | 110  | Pad        | 8700018     | 8600066 | 8700047    | 8600127  | 170  | 8600338 | 240  |
| 19011268 | 12    | 135  | Pad        | 8700018     | 8600066 | 8700047    | 8600127  | 170  | 8600338 | 240  |
| 19011269 | 12    | 135  | J180 Hinge | 8700016     | 8600511 | 8700046    | 8600126  | 170  | 8600339 | 240  |
| 19011272 | 12    | 110  | Pad        | 8700018     | 8600066 | 8700047    | 8600127  | 170  | 8600338 | 240  |
| 19011273 | 12    | 135  | Pad        | 8700018     | 8600066 | 8700047    | 8600127  | 170  | 8600338 | 240  |

**36SI**

| Part No. | Volts | Amps | Mount | Replacement |         | Upgrade |      |
|----------|-------|------|-------|-------------|---------|---------|------|
|          |       |      |       | Reman       | New     | 38SI    | Amps |
| 8600015  | 12    | 165  | Pad   | 8700039     | 8600015 | 8600707 | 215  |
| 8600055  | 12    | 165  | Pad   | 8700039     | 8600015 | 8600707 | 215  |
| 8600060  | 12    | 165  | Pad   | 8700040     | 8600127 | 8600707 | 215  |
| 8600071  | 12    | 165  | Quad  | 8700045     | 8600125 |         |      |

| Part No. | Volts | Amps | Mount      | Replacement |         | Upgrade |      |
|----------|-------|------|------------|-------------|---------|---------|------|
|          |       |      |            | Reman       | New     | 38SI    | Amps |
| 8600072  | 12    | 165  | J180 Hinge | 8700046     |         |         |      |
| 8600073  | 12    | 165  | Pad        | 8700047     | 8600073 | 8600707 | 215  |
| 8600082  | 12    | 165  | J180 Hinge | 8700041     | 8600082 |         |      |
| 8600110  | 24    | 95   | Quad       |             | 8600110 |         |      |
| 8600125  | 12    | 170  | Quad       |             | 8600125 |         |      |
| 8600126  | 12    | 170  | J180 Hinge | 8700046     | 8600126 |         |      |
| 8600127  | 12    | 170  | Pad        | 8700047     | 8600127 | 8600707 | 215  |
| 8600171  | 12    | 155  | Pad        | 8700047     | 8600127 | 8600707 | 215  |
| 8600177  | 12    | 155  | J180 Hinge | 8700046     | 8600126 |         |      |
| 8600178  | 12    | 155  | Pad        | 8700047     | 8600127 | 8600707 | 215  |
| 8600197  | 12    | 165  | J180 Hinge | 8700046     | 8600126 |         |      |
| 8600202  | 12    | 165  | Pad        | 8700047     | 8600015 | 8600707 | 215  |
| 8600203  | 12    | 160  | Pad        | 8700067     | 8600203 | 8600707 | 215  |
| 8600221  | 12    | 155  | Pad        | 8700047     | 8600127 | 8600707 | 215  |
| 8600232  | 24    | 105  | Pad        |             | 8600232 |         |      |
| 8600248  | 12    | 165  | Pad        | 8700047     | 8600248 | 8600707 | 215  |
| 8600252  | 12    | 165  | Pad        | 8700047     | 8600252 | 8600707 | 215  |
| 8600262  | 24    | 105  | Pad        |             | 8600232 |         |      |
| 8600367  | 12    | 165  | Pad        | 8700047     | 8600367 | 8600707 | 215  |
| 8600369  | 24    | 105  | J180 Hinge |             | 8600369 |         |      |
| 8600383  | 24    | 105  | Pad        |             | 8600232 |         |      |
| 8600384  | 24    | 105  | J180 Hinge |             | 8600398 |         |      |
| 8600398  | 24    | 105  | J180 Hinge |             | 8600398 |         |      |
| 8600419  | 24    | 105  | Pad        |             | 8600232 |         |      |
| 8600421  | 24    | 105  | Pad        |             | 8600232 |         |      |
| 8600470  | 24    | 105  | Pad        |             | 8600470 |         |      |
| 8600488  | 12    | 165  | Pad        | 8700047     | 8600127 | 8600707 | 215  |
| 8600548  | 12    | 165  | Pad        | 8700047     | 8600127 | 8600707 | 215  |
| 8700039  | 12    | 165  | Pad        | 8700039     | 8600015 | 8600707 | 215  |
| 8700040  | 12    | 165  | Pad        | 8700040     | 8600127 | 8600707 | 215  |
| 8700041  | 12    | 165  | J180 Hinge | 8700041     | 8600126 |         |      |
| 8700045  | 12    | 165  | Quad       | 8700045     | 8600125 |         |      |
| 8700046  | 12    | 165  | J180 Hinge | 8700046     | 8600126 |         |      |
| 8700047  | 12    | 165  | Pad        | 8700047     | 8600127 | 8600707 | 215  |
| 8700067  | 12    | 160  | Pad        | 8700067     | 8600203 | 8600707 | 215  |
| 10459615 | 12    | 165  | J180 Hinge | 8700046     | 8600126 |         |      |
| 10459616 | 12    | 165  | Quad       | 8700045     | 8600125 |         |      |
| 10459617 | 12    | 165  | Pad        | 8700047     | 8600127 | 8600707 | 215  |
| 10459618 | 12    | 165  | J180 Hinge | 8700046     | 8600126 |         |      |
| 10459619 | 12    | 165  | Quad       | 8700045     | 8600125 |         |      |
| 19011224 | 12    | 165  | Quad       | 8700045     | 8600125 |         |      |
| 19011225 | 12    | 165  | J180 Hinge | 8700046     | 8600126 |         |      |
| 19011226 | 12    | 165  | Pad        | 8700047     | 8600127 | 8600707 | 215  |
| 19011275 | 12    | 165  | J180 Hinge | 8700046     | 8600126 |         |      |
| 19011276 | 12    | 165  | Quad       | 8700045     | 8600125 |         |      |
| 19011277 | 12    | 165  | Pad        | 8700047     | 8600127 | 8600707 | 215  |

| Part No.       | Volts | Amps | Mount | Replacement |  |
|----------------|-------|------|-------|-------------|--|
|                |       |      |       | New         |  |
| <b>8600552</b> | 12    | 215  | Pad   | 8600707     |  |

| Part No.       | Volts | Amps | Mount | Replacement |  |
|----------------|-------|------|-------|-------------|--|
|                |       |      |       | New         |  |
| <b>8600707</b> | 12    | 215  | Pad   | 8600707     |  |

**405I**

| Part No.       | Volts | Amps | Mount      | Replacement |  |
|----------------|-------|------|------------|-------------|--|
|                |       |      |            | New         |  |
| <b>8600094</b> | 12    | 275  | J180 Hinge | 8600094     |  |
| <b>8600279</b> | 12    | 300  | Pad        | 8600279     |  |
| <b>8600280</b> | 12    | 300  | Pad        | 8600280     |  |
| <b>8600288</b> | 12    | 275  | J180 Hinge | 8600094     |  |
| <b>8600289</b> | 12    | 240  | Pad        | 8600300     |  |
| <b>8600298</b> | 12    | 300  | Pad        | 8600298     |  |
| <b>8600299</b> | 12    | 240  | Pad        | 8600299     |  |
| <b>8600300</b> | 12    | 240  | Pad        | 8600300     |  |
| <b>8600301</b> | 12    | 300  | J180 Hinge | 8600298     |  |
| <b>8600338</b> | 12    | 240  | J180 Hinge | 8600338     |  |

| Part No.       | Volts | Amps | Mount      | Replacement          |  |
|----------------|-------|------|------------|----------------------|--|
|                |       |      |            | New                  |  |
| <b>8600339</b> | 12    | 320  | J180 Hinge | 8600339              |  |
| <b>8600390</b> | 12    | 240  | J180 Hinge | 8600390              |  |
| <b>8600412</b> | 12    | 240  | J180 Hinge | 8600338              |  |
| <b>8600414</b> | 12    | 275  | J180 Hinge | 8600298              |  |
| <b>8600478</b> | 12    | 300  | Pad        | 8600094 <sup>3</sup> |  |
| <b>8600599</b> | 12    | 320  | Pad        | 8600338              |  |
| <b>8600601</b> | 12    | 300  | J180 Hinge | 8600298              |  |
| <b>8600628</b> | 12    | 320  | Pad        | 8600628              |  |
| <b>8600634</b> | 12    | 320  | J180 Hinge | 8600634              |  |

**555I**

| Part No.       | Volts | Amps | Mount | Replacement |  |
|----------------|-------|------|-------|-------------|--|
|                |       |      |       | New         |  |
| <b>8600434</b> | 24    | 270  | Pad   | 8600480     |  |
| <b>8600453</b> | 24    | 250  | Pad   | 8600453     |  |
| <b>8600473</b> | 12    | 420  | Pad   | 8600529     |  |
| <b>8600480</b> | 24    | 275  | Pad   | 8600480     |  |
| <b>8600483</b> | 24    | 250  | Pad   | 8600453     |  |
| <b>8600484</b> | 24    | 250  | Pad   | 8600453     |  |

| Part No.       | Volts | Amps | Mount | Replacement |  |
|----------------|-------|------|-------|-------------|--|
|                |       |      |       | New         |  |
| <b>8600495</b> | 24    | 250  | Pad   | 8600453     |  |
| <b>8600529</b> | 12    | 430  | Pad   | 8600529     |  |
| <b>8600580</b> | 24    | 275  | Pad   | 8600580     |  |
| <b>8600581</b> | 24    | 250  | Pad   | 8600581     |  |
| <b>8600629</b> | 12    | 430  | Pad   | 8600529     |  |

**500DN**

| Part No.       | Volts | Amps | Mount  | Replacement |         |
|----------------|-------|------|--------|-------------|---------|
|                |       |      |        | Reman       | New     |
| <b>1117166</b> | 24    | 270  | Cradle | 10459123    | 8600191 |
| <b>1117167</b> | 24    | 270  | Cradle | 10459123    | 8600191 |
| <b>1117672</b> | 24    | 270  | Cradle | 10459123    | 8600191 |
| <b>1117680</b> | 24    | 270  | Cradle | 10459123    | 8600191 |
| <b>1117689</b> | 24    | 240  | Cradle | 10459124    |         |
| <b>1117692</b> | 24    | 240  | Cradle | 10459124    |         |
| <b>1117693</b> | 24    | 270  | Cradle | 10459123    | 8600191 |
| <b>1117695</b> | 24    | 240  | Cradle | 10459124    |         |
| <b>1117700</b> | 24    | 240  | Cradle | 10459124    |         |
| <b>1117702</b> | 24    | 270  | Cradle | 10459121    |         |
| <b>1117703</b> | 24    | 270  | Cradle | 10459121    |         |
| <b>1117705</b> | 24    | 270  | Cradle | 10459122    |         |
| <b>1117706</b> | 24    | 270  | Cradle | 10459121    |         |
| <b>1117707</b> | 24    | 240  | Cradle | 10459123    | 8600191 |
| <b>1117708</b> | 24    | 270  | Cradle | 10459123    | 8600191 |

| Part No.       | Volts | Amps | Mount  | Replacement |         |
|----------------|-------|------|--------|-------------|---------|
|                |       |      |        | Reman       | New     |
| <b>1117739</b> | 24    | 270  | Cradle | 10459123    | 8600191 |
| <b>1117740</b> | 24    | 270  | Cradle | 10459122    |         |
| <b>1117748</b> | 24    | 270  | Cradle | 10459122    |         |
| <b>1117749</b> | 24    | 270  | Cradle | 10459122    |         |
| <b>1117790</b> | 24    | 270  | Cradle | 10459122    |         |
| <b>1117791</b> | 24    | 270  | Cradle | 10459122    |         |
| <b>1117792</b> | 24    | 240  | Cradle | 10459124    |         |
| <b>1117794</b> | 24    | 240  | Cradle | 10459124    |         |
| <b>1117795</b> | 24    | 270  | Cradle | 10459122    |         |
| <b>1117796</b> | 24    | 270  | Cradle | 10459121    |         |
| <b>1117799</b> | 24    | 270  | Cradle | 10459123    | 8600191 |
| <b>1117850</b> | 24    | 270  | Cradle | 10459121    |         |
| <b>1117851</b> | 24    | 270  | Cradle | 10459122    |         |
| <b>1117852</b> | 24    | 270  | Cradle | 10459123    | 8600191 |
| <b>1117853</b> | 24    | 270  | Cradle | 10459123    | 8600191 |

# Delco Remy Alternators

**50DN**

| Part No.        | Volts | Amps | Mount  | Replacement |         |
|-----------------|-------|------|--------|-------------|---------|
|                 |       |      |        | Reman       | New     |
| <b>1117856</b>  | 24    | 270  | Cradle | 10459122    |         |
| <b>1117859</b>  | 24    | 270  | Cradle | 10459122    |         |
| <b>1117861</b>  | 24    | 270  | Cradle | 10459121    |         |
| <b>1117862</b>  | 24    | 270  | Cradle | 10459122    |         |
| <b>1117863</b>  | 24    | 270  | Cradle | 10459123    | 8600191 |
| <b>1117864</b>  | 24    | 270  | Cradle | 10459123    | 8600191 |
| <b>1117865</b>  | 24    | 270  | Cradle | 10459121    |         |
| <b>1117866</b>  | 24    | 270  | Cradle | 10459121    |         |
| <b>1117867</b>  | 24    | 270  | Cradle | 10459122    |         |
| <b>1117878</b>  | 24    | 270  | Cradle | 10459123    | 8600191 |
| <b>1117879</b>  | 24    | 270  | Cradle | 10459123    | 8600191 |
| <b>8600013</b>  | 24    | 270  | Cradle | 10459121    |         |
| <b>8600014</b>  | 24    | 270  | Cradle | 10459121    |         |
| <b>8600083</b>  | 24    | 450  | Cradle |             | 8600083 |
| <b>8600191</b>  | 24    | 270  | Cradle | 10459123    | 8600191 |
| <b>8700077</b>  | 24    | 270  | Cradle | 8700077     | 8600191 |
| <b>10459032</b> | 24    | 270  | Cradle | 10459121    |         |

| Part No.        | Volts | Amps | Mount  | Replacement |         |
|-----------------|-------|------|--------|-------------|---------|
|                 |       |      |        | Reman       | New     |
| <b>10459033</b> | 24    | 270  | Cradle | 10459123    | 8600191 |
| <b>10459034</b> | 24    | 270  | Cradle | 10459122    |         |
| <b>10459113</b> | 24    | 270  | Cradle | 10459123    | 8600191 |
| <b>10459121</b> | 24    | 270  | Cradle | 10459121    |         |
| <b>10459122</b> | 24    | 270  | Cradle | 10459122    |         |
| <b>10459123</b> | 24    | 270  | Cradle | 10459123    | 8600191 |
| <b>10459124</b> | 24    | 240  | Cradle | 10459124    |         |
| <b>10459125</b> | 24    | 270  | Cradle | 10459121    |         |
| <b>10459126</b> | 24    | 270  | Cradle | 10459122    |         |
| <b>10459127</b> | 24    | 270  | Cradle | 10459123    | 8600191 |
| <b>10459128</b> | 24    | 240  | Cradle | 10459124    |         |
| <b>10459129</b> | 24    | 270  | Cradle | 10459121    |         |
| <b>10459130</b> | 24    | 270  | Cradle | 10459123    | 8600191 |
| <b>10459131</b> | 24    | 270  | Cradle | 10459122    |         |
| <b>10459235</b> | 24    | 270  | Cradle | 10459121    |         |
| <b>10459250</b> | 24    | 270  | Cradle | 10459123    | 8600191 |

**Alternators**

## T1 TYPE

| Part No.        | Volts | Amps | Mount   | Replacement |
|-----------------|-------|------|---------|-------------|
|                 |       |      |         | New         |
| <b>19025330</b> | 28    | 140  | T1 Type | 19025330    |
| <b>19025331</b> | 28    | 140  | T1 Type | 19025331    |
| <b>19025333</b> | 28    | 140  | T1 Type | 19025333    |

| Part No.        | Volts | Amps | Mount   | Replacement |
|-----------------|-------|------|---------|-------------|
|                 |       |      |         | New         |
| <b>19025336</b> | 28    | 140  | T1 Type | 19025336    |
| <b>19025337</b> | 28    | 140  | T1 Type | 19025337    |

# SMT

# Delco Remy Starters

Starters

| Part No. | Volts | Teeth | Pitch | Mount  | Replacement |       |
|----------|-------|-------|-------|--------|-------------|-------|
|          |       |       |       |        | Reman       | New   |
| 1977191  | 12    | 9     |       | Pad    | 25073       |       |
| 1977192  | 12    | 9     |       | Flange | 25071       |       |
| 1977193  | 12    | 9     |       | Pad    | 25072       |       |
| 1977194  | 12    | 9     |       | Pad    | 25073       |       |
| 1978772  | 12    | 9     |       | Pad    | 25047       |       |
| 1985737  | 12    | 9     |       | Pad    | 25021       |       |
| 1987287  | 12    | 9     |       | Pad    | 25020       |       |
| 1987288  | 12    | 9     |       | Flange | 25319       |       |
| 1987332  | 12    | 9     |       | Flange | 25320       |       |
| 1987494  | 12    | 9     |       | Pad    | 25300       | 96101 |
| 1987495  | 12    | 9     |       | Pad    | 25067       |       |
| 1988716  | 12    | 9     |       | Pad    | 25279       |       |
| 1988717  | 12    | 9     |       | Pad    | 25280       |       |
| 1988719  | 12    | 9     |       | Pad    | 25287       |       |
| 1988720  | 12    | 9     |       | Pad    | 25283       |       |
| 1988722  | 12    | 9     |       | Pad    | 25285       | 96117 |
| 1988724  | 12    | 9     |       | Pad    | 25287       |       |
| 1988725  | 12    | 9     |       | Pad    | 25294       |       |
| 1989453  | 12    | 9     |       | Pad    | 25300       | 96101 |
| 1989454  | 12    | 9     |       | Flange | 25301       |       |
| 1998433  | 12    | 9     |       | Pad    | 25067       |       |

| Part No. | Volts | Teeth | Pitch | Mount  | Replacement |       |
|----------|-------|-------|-------|--------|-------------|-------|
|          |       |       |       |        | Reman       | New   |
| 1998434  | 12    | 9     | 12/14 | Pad    | 25022       |       |
| 1998477  | 12    | 9     | 12/14 | Pad    | 25280       |       |
| 1998482  | 12    | 9     | 12/14 | Pad    | 25349       | 96102 |
| 1998502  | 12    | 9     |       | Pad    | 25350       | 96202 |
| 1998503  | 12    | 9     |       | Pad    | 25350       | 96202 |
| 1998504  | 12    | 9     |       | Pad    | 25350       | 96202 |
| 1998509  | 12    | 9     | 12/14 | Pad    | 25352       | 96103 |
| 1998510  | 12    | 9     |       | Pad    | 25350       | 96202 |
| 1998511  | 12    | 9     | 12/14 | Pad    | 25350       | 96202 |
| 1998512  | 12    | 9     | 12/14 | Pad    | 25352       | 96103 |
| 1998514  | 12    | 9     | 12/14 | Pad    | 25285       | 96117 |
| 1998515  | 12    | 9     | 12/14 | Pad    | 25285       | 96117 |
| 10465027 | 12    | 10    | 10/12 | Pad    | 25411       | 96119 |
| 10465030 | 12    | 9     |       | Pad    | 25352       | 96103 |
| 10465034 | 12    | 9     |       | Pad    | 25350       | 96202 |
| 10465036 | 12    | 9     |       | Flange | 25319       |       |
| 10465037 | 12    | 9     |       | Pad    | 25280       |       |
| 10465039 | 12    | 9     |       | Pad    | 25352       | 96103 |
| 10495396 | 12    | 9     |       | Pad    | 25349       | 96102 |
| 10495397 | 12    | 9     |       | Pad    | 25350       | 96202 |
| 10495524 | 12    | 9     |       | Pad    | 25352       | 96103 |

# BMT

| Part No. | Volts | Teeth | Mount  | Replacement |     |
|----------|-------|-------|--------|-------------|-----|
|          |       |       |        | Reman       | New |
| 1108195  | 12    | 9     | Flange | 25264       |     |
| 1108771  | 12    | 9     | Flange | 25264       |     |
| 1108772  | 12    | 9     | Flange | 25264       |     |
| 1109411  | 12    | 9     | Flange | 25045       |     |

| Part No. | Volts | Teeth | Mount  | Replacement |     |
|----------|-------|-------|--------|-------------|-----|
|          |       |       |        | Reman       | New |
| 1109412  | 12    | 9     | Pad    | 25046       |     |
| 1109414  | 12    | 9     | Flange | 25045       |     |
| 1109416  | 12    | 9     | Pad    | 25046       |     |

# 10MT

| Part No. | Volts | Teeth | Pitch | Mount  | Replacement |       |
|----------|-------|-------|-------|--------|-------------|-------|
|          |       |       |       |        | Reman       | New   |
| 1107230  | 12    | 9     |       | Flange | 25235       |       |
| 1108225  | 12    | 9     |       | Pad    | 25275       |       |
| 1108278  | 12    | 9     |       | Flange | 25831       |       |
| 1108348  | 12    | 9     |       | Pad    | 25275       |       |
| 1108361  | 12    | 9     |       | Pad    | 25236       |       |
| 1108384  | 12    | 9     |       | Flange | 25241       |       |
| 1108386  | 12    | 9     |       | Pad    | 25253       |       |
| 1108429  | 12    | 9     | 12/14 | Pad    | 25367       | 96122 |
| 1108445  | 12    | 9     |       | Pad    | 25253       |       |
| 1108488  | 12    | 9     |       | Flange | 25808       |       |
| 1108519  | 12    | 9     |       | Pad    | 25275       |       |

| Part No. | Volts | Teeth | Pitch | Mount  | Replacement |       |
|----------|-------|-------|-------|--------|-------------|-------|
|          |       |       |       |        | Reman       | New   |
| 1108743  | 12    | 9     |       | Pad    | 25365       |       |
| 1108769  | 12    | 9     | 10/12 |        | 61112       |       |
| 1108797  | 12    | 9     |       | Pad    | 25236       |       |
| 1109032  | 12    | 9     |       | Flange | 25805       |       |
| 1109036  | 12    | 9     |       | Pad    | 25368       |       |
| 1109056  | 12    | 9     |       | Pad    | 25368       |       |
| 1109079  | 12    | 9     | 12/14 | Flange | 25363       |       |
| 1109399  | 12    | 9     | 12/14 | Flange | 25241       |       |
| 1876549  | 12    | 9     |       | Pad    | 25253       |       |
| 1970445  | 12    | 9     |       | Pad    | 25244       |       |
| 1977068  | 12    | 9     |       | Pad    |             | 96112 |

# Delco Remy Starters

**10MT**

| Part No. | Volts | Teeth | Pitch | Mount  | Replacement |       |
|----------|-------|-------|-------|--------|-------------|-------|
|          |       |       |       |        | Reman       | New   |
| 1977070  | 12    | 9     |       | Pad    | 25254       |       |
| 1977076  | 12    | 9     |       | Pad    | 25244       |       |
| 1977079  | 12    | 9     |       | Flange | 25372       |       |
| 1977081  |       |       |       |        |             | 93519 |
| 1977082  | 12    | 9     |       | Flange | 25371       |       |
| 1977084  |       |       |       |        |             | 93519 |
| 1977091  | 12    | 9     |       | Flange | 25807       |       |
| 1987289  | 12    | 9     |       | Side   | 25322       |       |
| 1987496  | 12    | 9     |       | Pad    | 28367       | 96113 |
| 1988602  | 12    | 9     |       | Pad    | 25365       |       |
| 1988604  | 12    | 9     |       | Pad    | 25275       |       |
| 1988605  | 12    | 9     |       | Flange | 25362       |       |
| 1988710  | 12    | 9     |       | Side   | 25322       |       |
| 1988711  | 12    | 9     |       | Pad    | 28365       | 96112 |
| 1988714  | 12    | 9     |       | Pad    | 28370       | 96113 |
| 1988715  | 12    | 9     |       | Pad    | 28367       | 96113 |
| 1998204  | 12    | 9     | 12/14 | Side   | 25322       |       |
| 1998221  | 12    | 9     |       | Pad    | 25368       | 96122 |
| 1998230  | 12    | 9     |       | Flange | 25374       |       |
| 1998233  | 12    | 9     | 12/14 | Side   | 25322       |       |
| 1998239  | 12    | 9     | 12/14 | Pad    | 25244       |       |
| 1998257  | 12    | 9     |       | Flange | 25363       |       |
| 1998436  | 12    | 9     | 12/14 | Pad    | 28367       | 96113 |
| 1998440  | 12    | 9     | 12/14 | Pad    | 28367       | 96113 |
| 1998473  | 12    | 9     | 12/14 | Flange | 25371       |       |
| 1998474  | 12    | 9     | 12/14 | Flange | 25363       |       |
| 10461617 |       |       |       |        |             | 93507 |
| 10465080 | 12    | 9     |       | Pad    | 25236       |       |
| 10465108 | 12    | 9     |       | Pad    | 25367       | 96122 |
| 10465109 | 12    | 9     |       | Pad    | 25275       |       |
| 10465110 | 12    | 9     |       | Pad    | 25365       |       |
| 10465111 | 12    | 9     |       | Pad    | 25367       | 96122 |
| 10465114 | 12    | 9     |       | Pad    | 28367       | 96113 |
| 10465119 | 12    | 9     |       | Pad    | 25275       |       |
| 10465124 | 12    | 9     |       | Pad    | 25365       |       |

| Part No. | Volts | Teeth | Pitch | Mount  | Replacement |       |
|----------|-------|-------|-------|--------|-------------|-------|
|          |       |       |       |        | Reman       | New   |
| 10465125 | 12    | 9     |       | Pad    | 28365       | 96112 |
| 10465126 | 12    | 9     |       | Pad    | 28365       | 96112 |
| 10465127 | 12    | 9     |       | Pad    | 28367       | 96113 |
| 10465128 | 12    | 9     |       | Pad    | 25368       | 96122 |
| 10465129 | 12    | 9     |       | Pad    | 25365       |       |
| 10465132 | 12    | 9     |       | Pad    | 25365       |       |
| 10465134 | 12    | 9     |       | Pad    | 25275       |       |
| 10465139 | 12    | 9     |       | Pad    | 28368       | 96113 |
| 10465152 | 12    | 9     |       | Flange | 25372       |       |
| 10465153 |       |       |       |        |             | 93529 |
| 10465154 |       |       |       |        |             | 93519 |
| 10465155 | 12    | 9     |       | Pad    | 28367       | 96113 |
| 10465158 | 12    | 9     |       | Flange | 61112       |       |
| 10465171 | 12    | 9     |       | Pad    | 25367       | 96122 |
| 10496868 | 12    | 9     |       | Flange | 25362       |       |
| 10496869 | 12    | 9     |       | Flange | 25363       |       |
| 10496870 | 12    | 9     |       | Pad    | 25365       |       |
| 10496871 | 12    | 9     |       | Pad    | 28365       | 96112 |
| 10496872 | 12    | 9     |       | Pad    | 28236       | 96112 |
| 10496873 | 12    | 9     |       | Pad    | 28367       | 96113 |
| 10496874 | 12    | 9     |       | Pad    | 25368       | 96122 |
| 10496875 | 12    | 9     |       | Pad    | 28368       | 96113 |
| 10496876 | 12    | 9     |       | Flange | 25807       |       |
| 10496877 | 12    | 9     |       | Flange | 25371       |       |
| 10496878 | 12    | 9     |       | Flange | 25372       |       |
| 10496879 |       |       |       |        |             | 93519 |
| 10496880 | 12    | 9     |       | Flange | 25374       |       |
| 12301281 |       |       |       |        |             | 93539 |
| 12301289 |       |       |       |        |             | 93540 |
| 12303573 | 12    | 9     |       | Pad    | 25275       |       |
| 12304044 | 12    | 9     |       | Pad    | 25236       |       |
| 12304203 | 12    | 9     |       | Pad    | 25365       |       |
| 12304737 | 12    | 9     |       | Flange | 61110       |       |
| 12309098 |       |       |       |        | 61112       |       |

**Starters**

**20MT**

| Part No. | Volts | Teeth | Pitch | Mount | Replacement |
|----------|-------|-------|-------|-------|-------------|
|          |       |       |       |       | 28MT        |
| 1107514  | 12    | 10    | 8/10  | SAE 1 | 1113281     |
| 1107539  | 12    | 10    | 8/10  | SAE 1 | 1113281     |
| 1107540  | 12    | 10    | 8/10  | SAE 1 | 1113274     |
| 1107588  | 12    | 12    | 8/10  | SAE 1 | 1113273     |
| 1107872  | 12    | 10    | 8/10  | SAE 1 | 1113281     |

| Part No. | Volts | Teeth | Pitch | Mount | Replacement |
|----------|-------|-------|-------|-------|-------------|
|          |       |       |       |       | 28MT        |
| 1108692  | 12    | 12    | 8/10  | SAE 1 | 1113273     |
| 1108697  | 12    | 10    | 8/10  | SAE 1 | 1113274     |
| 1109540  | 12    | 10    | 8/10  | SAE 1 | 1113288     |
| 1998446  | 12    | 10    | 8/10  | SAE 1 | 1113274     |
| 12301331 | 12    | 10    | 8/10  | SAE 1 | 1113281     |



# 20MT

# Delco Remy Starters

| Part No. | Volts | Teeth | Pitch | Mount | Replacement |  |
|----------|-------|-------|-------|-------|-------------|--|
|          |       |       |       |       | 28MT        |  |
| 12301341 | 12    | 10    | 8/10  | SAE 1 | 1113281     |  |
| 12301346 | 12    | 10    | 8/10  | SAE 1 | 1113274     |  |

# 22MT

| Part No. | Volts | Teeth | Pitch | Mount | Upgrade |  |
|----------|-------|-------|-------|-------|---------|--|
|          |       |       |       |       | 28MT    |  |
| 1998339  | 12    | 12    | 8/10  | SAE 1 | 1113273 |  |
| 1998387  | 12    | 10    | 8/10  | SAE 1 | 1113275 |  |

# 25MT

| Part No. | Volts | Teeth | Pitch | Mount | Upgrade |  |
|----------|-------|-------|-------|-------|---------|--|
|          |       |       |       |       | 28MT    |  |
| 1109253  | 12    | 10    | 8/10  | SAE 1 | 1113281 |  |
| 1109258  | 12    | 10    | 8/10  | SAE 1 | 1113274 |  |

# 27MT

| Part No. | Volts | Teeth | Pitch | Mount | Upgrade |  |
|----------|-------|-------|-------|-------|---------|--|
|          |       |       |       |       | 28MT    |  |
| 1109216  | 12    | 10    | 10/12 |       | 1113296 |  |
| 1109219  | 12    | 10    | 10/12 | Pad   | 1113296 |  |
| 1109550  | 12    | 10    | 8/10  | SAE 1 | 1113275 |  |
| 1109563  | 12    | 10    | 10/12 | Pad   | 1113296 |  |
| 1113589  | 12    | 10    | 10/12 |       | 1113296 |  |
| 1113590  | 12    | 10    | 10/12 |       | 1113296 |  |
| 1113594  | 24    | 10    | 10/12 |       | 1113277 |  |
| 1113597  | 12    | 10    | 8/10  |       | 1113274 |  |
| 1984535  | 12    | 10    | 10/12 |       | 1113296 |  |
| 1989449  | 12    | 10    | 10/12 |       | 1113296 |  |
| 1998373  | 12    | 10    | 8/10  |       | 1113274 |  |
| 1998376  | 12    | 10    | 8/10  |       | 1113281 |  |
| 1998379  | 12    | 10    | 8/10  |       | 1113285 |  |

# 28MT

| Part No. | Volts | Teeth | Pitch | Mount | Replacement           |         | Upgrade  |
|----------|-------|-------|-------|-------|-----------------------|---------|----------|
|          |       |       |       |       | Reman                 | New     | 29MT     |
| 1113267  | 12    | 10    | 10/12 | Pad   | 10465168              | 1113296 |          |
| 1113269  | 12    | 10    | 10/12 | Pad   | 10465168              | 1113296 |          |
| 1113270  | 12    | 10    | 10/12 | Pad   | 10465168              | 1113296 |          |
| 1113271  | 12    | 10    | 10/12 |       | 10461443 <sup>4</sup> |         |          |
| 1113273  | 12    | 12    | 8/10  | SAE 1 | 10461445              | 1113273 |          |
| 1113274  | 12    | 10    | 8/10  | SAE 1 |                       | 1113274 |          |
| 1113275  | 12    | 10    | 8/10  | SAE 1 | 10461446              | 1113275 |          |
| 1113276  | 12    | 10    | 10/12 | SAE 1 | 10465043              |         | 19011400 |
| 1113277  | 24    | 10    | 10/12 | SAE 1 | 10461486              | 1113277 |          |

Starters

| Part No. | Volts | Teeth | Pitch | Mount | Replacement           |          | Upgrade  |
|----------|-------|-------|-------|-------|-----------------------|----------|----------|
|          |       |       |       |       | Reman                 | New      | 29MT     |
| 1113278  | 12    | 10    | 8/10  | SAE 1 | 10461446              | 1113275  |          |
| 1113281  | 12    | 10    | 8/10  | SAE 1 | 10461450              | 1113281  |          |
| 1113282  | 12    | 10    | 8/10  | SAE 1 | 10461450              | 1113281  |          |
| 1113285  | 12    | 10    | 8/10  | SAE 1 |                       | 1113285  |          |
| 1113288  | 12    | 10    | 8/10  |       |                       | 1113288  |          |
| 1113289  | 12    | 10    | 8/10  |       | 10465239              |          |          |
| 1113291  | 24    | 10    | 10/12 | SAE 1 | 10461486              | 1113291  |          |
| 1113292  | 12    | 10    | 10/12 | SAE 1 |                       |          | 19011400 |
| 1113295  | 12    | 10    | 10/12 | Pad   | 10465168              | 1113296  |          |
| 1113296  | 12    | 10    | 10/12 | Pad   | 10465168              | 1113296  |          |
| 8300053  | 12    | 10    | 10/12 | Pad   | 10465168              | 1113296  |          |
| 8300055  | 12    | 10    | 10/12 | SAE 1 |                       | 10479618 |          |
| 10461283 | 24    | 10    | 10/12 | SAE 1 | 10461486              | 1113277  |          |
| 10461285 | 12    | 10    | 10/12 | SAE 1 | 10465043              |          |          |
| 10461286 | 24    | 10    | 10/12 | SAE 1 | 10461486              | 1113291  |          |
| 10461443 | 12    | 10    | 10/12 |       | 10461443              |          |          |
| 10461445 | 12    | 12    | 8/10  | SAE 1 | 10461445              | 1113273  |          |
| 10461446 | 12    | 10    | 8/10  | SAE 1 | 10461446              | 1113275  |          |
| 10461447 | 12    | 10    | 8/10  | SAE 1 | 10461446              | 1113275  |          |
| 10461450 | 12    | 10    | 8/10  | SAE 1 | 10461450              | 1113281  |          |
| 10461451 | 12    | 10    | 8/10  | SAE 1 | 10461450              | 1113281  |          |
| 10461454 | 12    | 9     | MOD 3 | SAE 1 | 10461454              | 10479645 | 19011403 |
| 10461461 | 24    | 10    | 8/10  | SAE 1 | 10461486              | 10479605 |          |
| 10461463 | 12    | 10    | 8/10  | SAE 1 | 10465295              |          |          |
| 10461465 | 24    | 10    | 10/12 | SAE 1 | 10461486              | 10479616 |          |
| 10461466 | 12    | 10    | 10/12 | SAE 1 |                       | 10479617 |          |
| 10461468 | 24    | 10    | 10/12 | SAE 1 | 10461486              |          |          |
| 10461469 | 24    | 10    | 10/12 | SAE 1 | 10461486              | 1113291  |          |
| 10461471 | 12    | 10    | 10/12 |       | 10461443 <sup>4</sup> |          |          |
| 10461473 | 12    | 10    | 10/12 |       | 10461443 <sup>4</sup> |          |          |
| 10461474 | 12    | 10    | 10/12 | SAE 1 | 10461474              |          | 8200478  |
| 10461477 | 12    | 10    | 10/12 | SAE 1 | 10465151              |          |          |
| 10461479 | 12    | 10    | 10/12 | SAE 1 | 10465043 <sup>4</sup> |          |          |
| 10461480 | 12    | 10    | 10/12 | SAE 1 |                       | 10479618 |          |
| 10461481 | 12    | 10    | 10/12 | SAE 1 | 10461481              |          |          |
| 10461482 | 12    | 10    | 10/12 |       | 10461443 <sup>4</sup> |          |          |
| 10461484 | 12    | 10    | 8/10  |       |                       | 1113288  |          |
| 10461485 | 12    | 10    | 8/10  | SAE 1 |                       | 1113274  |          |
| 10461486 | 24    | 10    | 10/12 | SAE 1 | 10461486              | 1113291  |          |
| 10465013 | 12    | 10    | 10/12 | Pad   | 10465168              | 1113296  |          |
| 10465014 | 12    | 10    | 10/12 | Pad   | 10465168              | 1113296  |          |
| 10465026 | 12    | 10    | 10/12 | SAE 1 | 10465043              |          |          |
| 10465043 | 12    | 10    | 10/12 | SAE 1 | 10465043              |          | 19011400 |
| 10465044 | 12    | 10    | 8/10  | SAE 1 | 10465295              | 1113274  |          |
| 10465045 | 12    | 10    | 8/10  | SAE 1 | 10461446              | 1113275  | 8200400  |
| 10465046 | 12    | 10    | 8/10  | SAE 1 | 10461446              | 1113275  |          |

| Part No. | Volts | Teeth | Pitch | Mount | Replacement           |          | Upgrade  |
|----------|-------|-------|-------|-------|-----------------------|----------|----------|
|          |       |       |       |       | Reman                 | New      | 29MT     |
| 10465049 | 12    | 10    | 8/10  | SAE 1 | 10461450              | 1113281  |          |
| 10465050 | 12    | 10    | 8/10  | SAE 1 | 10461450              | 1113281  |          |
| 10465053 | 12    | 10    | 10/12 | Pad   | 10465168              | 1113296  |          |
| 10465054 | 12    | 10    | 10/12 | Pad   | 10465168              | 1113296  |          |
| 10465058 | 12    | 12    | 8/10  | SAE 1 | 10461445              | 1113273  |          |
| 10465148 | 12    | 10    | 8/10  |       | 10465239              |          |          |
| 10465150 | 12    | 10    | 10/12 | SAE 1 | 10465150              |          |          |
| 10465151 | 12    | 10    | 10/12 | SAE 1 | 10465151              | 10479618 |          |
| 10465168 | 12    | 10    | 10/12 | Pad   | 10465168              | 1113296  |          |
| 10465239 | 12    | 10    | 8/10  |       | 10465239              |          |          |
| 10465295 | 12    | 10    | 8/10  | SAE 1 | 10465295              | 1113274  |          |
| 10465296 | 12    | 10    | 10/12 | Pad   | 10465168              | 1113296  |          |
| 10465349 | 12    | 10    | 8/10  | SAE 1 |                       | 1113285  |          |
| 10465400 | 24    | 10    | 10/12 | SAE 1 | 10461486              |          |          |
| 10465401 | 12    | 10    | 8/10  | SAE 1 |                       | 1113285  |          |
| 10465402 | 12    | 10    | 10/12 | SAE 1 | 10465150              |          |          |
| 10465403 | 12    | 10    | 10/12 | SAE 1 | 10465043              |          |          |
| 10465406 | 12    | 10    | 8/10  | SAE 1 | 10461446              | 1113275  |          |
| 10465407 | 12    | 10    | 10/12 | SAE 1 | 10465043              |          |          |
| 10465408 | 12    | 10    | 8/10  |       | 10465239              |          |          |
| 10479604 | 12    | 10    | 10/12 | SAE 1 |                       |          | 19011400 |
| 10479605 | 24    | 10    | 8/10  | SAE 1 |                       | 10479605 |          |
| 10479607 | 12    | 10    | 8/10  | SAE 1 | 10465295              |          |          |
| 10479614 | 12    | 10    | 10/12 | SAE 1 | 10465150              |          |          |
| 10479615 | 12    | 10    | 10/12 | SAE 1 | 10465151              | 10479615 | 19011402 |
| 10479616 | 24    | 10    | 10/12 | SAE 1 |                       | 10479616 |          |
| 10479617 | 12    | 10    | 10/12 | SAE 1 |                       | 10479617 |          |
| 10479618 | 12    | 10    | 10/12 | SAE 1 | 10465151              | 10479618 | 19011402 |
| 10479621 | 12    | 10    | 10/12 | SAE 1 | 10465043              |          |          |
| 10479622 | 24    | 10    | 10/12 | SAE 1 | 10461486              |          |          |
| 10479623 | 24    | 10    | 10/12 | SAE 1 | 10461486              | 1113291  |          |
| 10479624 | 12    | 10    | 10/12 | SAE 1 | 10465043              |          | 19011400 |
| 10479625 | 12    | 10    | 10/12 | SAE 1 |                       | 10479618 | 19011402 |
| 10479628 | 12    | 10    | 10/12 |       | 10461443 <sup>4</sup> |          |          |
| 10479630 | 12    | 10    | 10/12 |       | 10461443 <sup>4</sup> |          |          |
| 10479634 | 12    | 10    | 10/12 | SAE 1 | 10461474 <sup>4</sup> |          |          |
| 10479638 | 12    | 10    | 10/12 | SAE 1 | 10465151              |          | 19011402 |
| 10479640 | 12    | 10    | 10/12 | SAE 1 | 10465043 <sup>4</sup> |          |          |
| 10479641 | 12    | 10    | 10/12 | SAE 1 |                       | 10479618 |          |
| 10479642 | 12    | 10    | 10/12 | SAE 1 | 10461481              |          | 19011400 |
| 10479643 | 12    | 10    | 10/12 | SAE 1 | 10465043 <sup>4</sup> |          |          |
| 10479644 | 12    | 10    | 10/12 | SAE 1 |                       |          | 19011402 |
| 10479645 | 12    | 9     | MOD 3 | SAE 1 | 10461454              | 10479645 |          |
| 10479648 | 12    | 9     | MOD 3 | SAE 1 | 10461454              |          |          |
| 10479650 | 24    | 9     | MOD 3 | SAE 1 |                       |          | 8200297  |
| 10479656 | 24    | 10    | 10/12 | SAE 1 | 10461486              |          |          |

# Delco Remy Starters

**29MT**

| Part No. | Volts | Teeth | Pitch | Mount | Replacement |          |
|----------|-------|-------|-------|-------|-------------|----------|
|          |       |       |       |       | Reman       | New      |
| 8200003  | 12    | 9     | MOD 3 | SAE 1 |             | 8200295  |
| 8200010  | 12    | 10    | 10/12 | SAE 1 | 10461770    | 19011400 |
| 8200011  | 12    | 9     | MOD 3 | SAE 1 | 10461772    |          |
| 8200054  | 24    | 10    | 8/10  | SAE 1 |             | 8200386  |
| 8200064  | 24    | 10    | 10/12 | SAE 1 |             | 8200064  |
| 8200071  | 24    | 11    | MOD 3 | SAE 1 |             | 8200297  |
| 8200103  | 12    | 9     | MOD 3 | SAE 1 |             | 8200103  |
| 8200138  | 24    | 11    | MOD 3 | SAE 1 |             | 8200297  |
| 8200196  | 12    | 10    | 8/10  | SAE 1 | 8300064     | 8200571  |
| 8200271  | 12    | 10    | 8/10  | SAE 1 | 8300063     | 8200972  |
| 8200292  | 24    | 10    | 10/12 | SAE 1 |             | 8200292  |
| 8200295  | 12    | 9     | MOD 3 | SAE 1 |             | 8200295  |
| 8200296  | 24    | 11    | MOD 3 | SAE 1 |             | 8200296  |
| 8200297  | 24    | 11    | MOD 3 | SAE 1 |             | 8200297  |
| 8200326  | 12    | 10    | MOD 3 | SAE 1 |             | 8200326  |
| 8200331  | 12    | 10    | 10/12 | SAE 1 |             | 8200478  |
| 8200357  | 24    | 10    | MOD 3 | SAE 1 |             | 8200357  |
| 8200386  | 24    | 10    | 8/10  | SAE 1 |             | 8200386  |
| 8200387  | 24    | 10    | 8/10  | SAE 1 |             | 8200387  |
| 8200400  | 12    | 10    | 8/10  | SAE 1 |             | 8200400  |
| 8200474  | 24    | 10    | 8/10  | SAE 1 |             | 8200474  |
| 8200478  | 12    | 10    | 10/12 | SAE 1 |             | 8200478  |
| 8200495  | 12    | 10    | 8/10  | SAE 1 |             | 8200495  |
| 8200504  | 24    | 11    | MOD 3 | SAE 1 |             | 8200297  |
| 8200511  | 12    | 9     | MOD 3 | SAE 1 |             | 8200295  |
| 8200521  | 24    | 11    | MOD 3 | SAE 1 |             | 8200882  |
| 8200570  | 12    | 9     | MOD 3 | SAE 1 |             | 8200570  |
| 8200571  | 12    | 10    | 8/10  | SAE 1 | 8300064     | 8200571  |
| 8200745  | 24    | 10    | 8/10  | SAE 1 |             | 8200745  |

| Part No. | Volts | Teeth | Pitch | Mount | Replacement |          |
|----------|-------|-------|-------|-------|-------------|----------|
|          |       |       |       |       | Reman       | New      |
| 8200796  | 12    | 10    | 8/10  | SAE 1 |             | 8200796  |
| 8200816  | 24    | 11    | MOD 3 | SAE 1 |             | 8200884  |
| 8200848  | 12    | 9     | MOD 3 | SAE 1 |             | 8200885  |
| 8200849  | 12    | 10    | MOD 3 | SAE 1 |             | 8200326  |
| 8200850  | 24    | 10    | MOD 3 | SAE 1 |             | 8200357  |
| 8200852  | 12    | 10    | 8/10  | SAE 1 |             | 8200887  |
| 8200853  | 12    | 11    | MOD 3 | SAE 1 |             | 8200875  |
| 8200854  | 12    | 10    | MOD 3 | SAE 1 |             | 8200889  |
| 8200866  | 12    | 9     | MOD 3 | SAE 1 |             | 8200890  |
| 8200882  | 24    | 11    | MOD 3 | SAE 1 |             | 8200882  |
| 8200885  | 12    | 9     | MOD 3 | SAE 1 |             | 8200885  |
| 8200887  | 12    | 10    | 8/10  | SAE 1 |             | 8200887  |
| 8200889  | 12    | 10    | MOD 3 | SAE 1 |             | 8200889  |
| 8200890  | 12    | 9     | MOD 3 | SAE 1 |             | 8200890  |
| 8200938  | 24    | 10    | 8/10  | SAE 1 |             | 8200938  |
| 8200972  | 12    | 10    | 8/10  | SAE 1 | 8300063     | 8200972  |
| 8300063  | 12    | 10    | 8/10  | SAE 1 | 8300063     | 8200972  |
| 8300064  | 12    | 10    | 8/10  | SAE 1 | 8300064     | 8200571  |
| 10461764 | 12    | 10    | 8/10  | SAE 1 | 10461764    | 19011407 |
| 10461765 | 12    | 10    | 10/12 | SAE 1 | 10461765    | 19011409 |
| 10461770 | 12    | 10    | 10/12 | SAE 1 | 10461770    | 19011400 |
| 10461771 | 12    | 10    | 10/12 | SAE 1 |             | 19011402 |
| 10461772 | 12    | 9     | MOD 3 | SAE 1 | 10461772    | 19011403 |
| 19011400 | 12    | 10    | 10/12 | SAE 1 | 10461770    | 19011400 |
| 19011402 | 12    | 10    | 10/12 | SAE 1 |             | 19011402 |
| 19011403 | 12    | 9     | MOD 3 | SAE 1 | 10461772    | 19011403 |
| 19011404 | 12    | 10    | 8/10  | SAE 1 | 10461764    | 19011407 |
| 19011407 | 12    | 10    | 8/10  | SAE 1 |             | 19011407 |
| 19011409 | 12    | 10    | 10/12 | SAE 1 | 10461765    | 19011409 |

Starters

**30MT**

| Part No. | Volts | Teeth | Pitch | Mount | Upgrade |
|----------|-------|-------|-------|-------|---------|
|          |       |       |       |       | 37MT    |
| 1113059  | 12    | 12    | 8/10  | SAE 3 | 1993878 |
| 1113089  | 12    | 12    | 8/10  | SAE 3 | 1993878 |
| 1113150  | 12    | 12    | 8/10  | SAE 3 | 1993878 |
| 1113153  | 12    | 12    | 8/10  | SAE 3 | 1993878 |
| 1113183  | 12    | 12    | 8/10  | SAE 3 | 1993878 |
| 1113202  | 12    | 12    | 8/10  | SAE 3 | 1993878 |

| Part No. | Volts | Teeth | Pitch | Mount | Upgrade |
|----------|-------|-------|-------|-------|---------|
|          |       |       |       |       | 37MT    |
| 1113216  | 12    | 12    | 8/10  | SAE 3 | 1993878 |
| 1113229  | 12    | 12    | 8/10  | SAE 3 | 1993878 |
| 1113236  | 12    | 12    | 8/10  | SAE 3 | 1993878 |
| 1113245  | 12    | 12    | 8/10  | SAE 3 | 1993878 |
| 12301358 | 12    | 12    | 8/10  | SAE 3 | 1993878 |
| 12301370 | 12    | 12    | 8/10  | SAE 3 | 1993878 |

| Part No. | Volts | Teeth | Pitch | Mount | Replacement |  |
|----------|-------|-------|-------|-------|-------------|--|
|          |       |       |       |       | New         |  |
| 8200371  | 12    | 10    | 8/10  | SAE 1 | 8200959     |  |
| 8200374  | 12    | 12    | 8/10  | SAE 3 | 8200958     |  |
| 8200375  | 12    | 10    | 8/10  | SAE 1 | 8200959     |  |

| Part No. | Volts | Teeth | Pitch | Mount | Replacement |  |
|----------|-------|-------|-------|-------|-------------|--|
|          |       |       |       |       | New         |  |
| 8200834  | 12    | 10    | 8/10  | SAE 1 | 8200959     |  |
| 8200836  | 12    | 12    | 8/10  | SAE 3 | 8200958     |  |
| 8200958  | 12    | 12    | 8/10  | SAE 3 | 8200958     |  |

**37MT**

| Part No. | Volts | Teeth | Pitch | Mount | Replacement           |                        |
|----------|-------|-------|-------|-------|-----------------------|------------------------|
|          |       |       |       |       | Reman                 | New                    |
| 1990308  | 12    | 10    | 8/10  | SAE 3 | 10461044              |                        |
| 1990309  | 12    | 10    | 8/10  | SAE 1 | 10461225              |                        |
| 1990310  | 12    | 12    | 8/10  | SAE 3 |                       | 1993878 <sup>8</sup>   |
| 1990312  | 12    | 10    | 8/10  | SAE 3 | 10461069              |                        |
| 1990313  | 12    | 12    | 8/10  | SAE 3 | 10461089              | 1993871                |
| 1990316  | 12    | 12    | 8/10  | SAE 3 | 10461089              | 1993878                |
| 1990317  | 12    | 12    | 8/10  | SAE 3 | 10461089              | 1993871                |
| 1990318  | 12    | 10    | 8/10  | SAE 1 | 10461225              |                        |
| 1990319  | 12    | 12    | 8/10  | SAE 3 | 10461089              | 1993871                |
| 1990330  | 24    | 12    | 8/10  | SAE 3 | 10461016              | 1993902                |
| 1990332  | 24    | 12    | 8/10  | SAE 3 |                       | 1993902                |
| 1990336  | 12    | 12    | 8/10  | SAE 3 | 10461089 <sup>8</sup> | 1993871 <sup>8</sup>   |
| 1990347  | 12    | 10    | 8/10  | SAE 3 | 10461058              |                        |
| 1990499  | 24    | 10    | 8/10  | SAE 1 | 10461525              | 1993903                |
| 1993701  | 24    | 10    | 8/10  | SAE 1 | 10461015              | 1993917                |
| 1993705  | 12    | 10    | 8/10  | SAE 1 | 10461225              |                        |
| 1993707  | 24    | 12    | 8/10  | SAE 3 | 10461016              | 1993902 <sup>8</sup>   |
| 1993711  | 24    | 10    | 8/10  | SAE 1 |                       | 1993903                |
| 1993712  | 12    | 10    | 8/10  | SAE 1 | 10461225              |                        |
| 1993719  | 12    | 12    | 8/10  | SAE 3 | 10461089              | 1993871                |
| 1993721  | 24    | 12    | 8/10  | SAE 3 |                       | 1993902                |
| 1993726  | 12    | 10    | 8/10  | SAE 1 | 10461225              |                        |
| 1993729  | 24    | 12    | 8/10  | SAE 3 | 10461016              | 1993902 <sup>8</sup>   |
| 1993732  | 24    | 12    | 8/10  | SAE 3 | 10461016              | 1993902 <sup>8</sup>   |
| 1993738  | 12    | 10    | 8/10  | SAE 3 | 10461044              |                        |
| 1993741  | 24    | 10    | 8/10  | SAE 1 | 10461015              | 1993917                |
| 1993742  | 24    | 12    | 8/10  | SAE 3 |                       | 1993902                |
| 1993745  | 12    | 12    | 8/10  | SAE 3 | 10461066              | 1993871 <sup>6,8</sup> |
| 1993746  | 12    | 12    | 8/10  | SAE 3 | 10461013              | 1993878                |
| 1993754  | 12    | 10    | 8/10  | SAE 1 | 10461225              |                        |
| 1993755  | 12    | 12    | 8/10  | SAE 3 | 10461013              | 1993878                |
| 1993759  | 12    | 10    | 8/10  | SAE 3 | 10461044              |                        |
| 1993761  | 12    | 10    | 8/10  | SAE 3 | 10461069              |                        |
| 1993767  | 12    | 10    | 8/10  | SAE 3 | 10461058              |                        |
| 1993769  | 12    | 10    | 8/10  | SAE 1 | 10461416              | 1993988                |
| 1993770  | 12    | 12    | 8/10  | SAE 3 | 10461066              | 1993871 <sup>6,8</sup> |

| Part No. | Volts | Teeth | Pitch | Mount | Replacement             |                        |
|----------|-------|-------|-------|-------|-------------------------|------------------------|
|          |       |       |       |       | Reman                   | New                    |
| 1993789  | 12    | 10    | 8/10  | SAE 3 | 10461044                |                        |
| 1993790  | 12    | 10    | 8/10  | SAE 1 |                         | 1993988                |
| 1993792  | 12    | 10    | 8/10  | SAE 1 |                         | 1993988                |
| 1993794  | 12    | 12    | 8/10  | SAE 3 | 10461089 <sup>8</sup>   | 1993871 <sup>8</sup>   |
| 1993799  | 12    | 10    | 8/10  | SAE 1 | 10461416                | 1993988                |
| 1993800  | 12    | 10    | 8/10  | SAE 1 | 10461416                | 1993988                |
| 1993818  | 12    | 10    | 8/10  | SAE 3 | 10461069                |                        |
| 1993829  | 24    | 10    | 8/10  | SAE 1 | 10461015                | 1993917                |
| 1993831  | 24    | 12    | 8/10  | SAE 1 |                         | 1993918                |
| 1993832  | 12    | 12    | 8/10  | SAE 3 | 10461089 <sup>8</sup>   | 1993871 <sup>8</sup>   |
| 1993837  | 12    | 10    | 8/10  | SAE 3 | 10461058                |                        |
| 1993838  | 24    | 10    | 8/10  | SAE 1 | 10461525                | 1993903                |
| 1993853  | 12    | 12    | 8/10  | SAE 3 | 10461089 <sup>6,8</sup> | 1993871 <sup>6,8</sup> |
| 1993854  | 12    | 10    | 8/10  | SAE 3 | 10461058                |                        |
| 1993862  | 24    | 10    | 8/10  | SAE 1 | 10461525                | 1993903                |
| 1993865  | 12    | 12    | 8/10  | SAE 3 | 10461277                | 1993871 <sup>6,8</sup> |
| 1993869  | 12    | 12    | 8/10  | SAE 3 | 10461089                | 1993871                |
| 1993871  | 12    | 12    | 8/10  | SAE 3 | 10461089                | 1993871                |
| 1993873  | 12    | 12    | 8/10  | SAE 3 | 10461013 <sup>5</sup>   | 1993878 <sup>5</sup>   |
| 1993874  | 12    | 12    | 8/10  | SAE 3 | 10461089 <sup>8</sup>   | 1993874                |
| 1993878  | 12    | 12    | 8/10  | SAE 3 | 10461013                | 1993878                |
| 1993880  | 12    | 10    | 8/10  | SAE 3 | 10461108                |                        |
| 1993881  | 12    | 10    | 8/10  | SAE 1 | 10461225                | 1993988                |
| 1993886  | 12    | 10    | 8/10  | SAE 1 | 10461416                | 1993988                |
| 1993887  | 12    | 12    | 8/10  | SAE 3 | 10461066                | 1993871 <sup>6,8</sup> |
| 1993894  | 12    | 10    | 8/10  | SAE 1 | 10461416 <sup>7</sup>   | 1993988 <sup>7</sup>   |
| 1993898  | 12    | 12    | 8/10  | SAE 3 | 10461089 <sup>8</sup>   | 1993871 <sup>8</sup>   |
| 1993901  | 24    | 12    | 8/10  | SAE 3 |                         | 1993902                |
| 1993902  | 24    | 12    | 8/10  | SAE 3 |                         | 1993902                |
| 1993903  | 24    | 10    | 8/10  | SAE 1 | 10461525                | 1993903                |
| 1993909  | 24    | 12    | 8/10  | SAE 3 |                         | 1993902                |
| 1993910  | 24    | 12    | 8/10  | SAE 3 | 10461016                | 1993902 <sup>8</sup>   |
| 1993911  | 24    | 12    | 8/10  | SAE 3 | 10461016 <sup>8</sup>   | 1993902 <sup>8</sup>   |
| 1993917  | 24    | 10    | 8/10  | SAE 1 |                         | 1993917 <sup>7</sup>   |
| 1993918  | 24    | 12    | 8/10  | SAE 1 |                         | 1993918 <sup>7</sup>   |
| 1993921  | 24    | 10    | 8/10  | SAE 1 | 10461525 <sup>7</sup>   |                        |

Starters

| Part No. | Volts | Teeth | Pitch | Mount | Replacement           |                        |
|----------|-------|-------|-------|-------|-----------------------|------------------------|
|          |       |       |       |       | Reman                 | New                    |
| 1993928  | 12    | 12    | 8/10  | SAE 3 | 10461277              |                        |
| 1993930  | 24    | 10    | 8/10  | SAE 1 | 1993930 <sup>7</sup>  | 1993930 <sup>7</sup>   |
| 1993931  | 12    | 12    | 8/10  | SAE 3 | 10461089 <sup>8</sup> | 1993871 <sup>8</sup>   |
| 1993947  | 12    | 10    | 8/10  | SAE 1 | 10461110              | 1993947                |
| 1993953  | 24    | 12    | 8/10  | SAE 3 |                       | 1993953 <sup>7</sup>   |
| 1993954  | 24    | 10    | 8/10  | SAE 1 | 10461525 <sup>7</sup> |                        |
| 1993955  | 24    | 10    | 8/10  | SAE 1 |                       | 1993917 <sup>7</sup>   |
| 1993957  | 12    | 10    | 8/10  | SAE 1 | 10461416 <sup>7</sup> | 1993988 <sup>7</sup>   |
| 1993958  | 12    | 12    | 8/10  | SAE 3 |                       | 1993958 <sup>7</sup>   |
| 1993963  | 12    | 10    | 8/10  | SAE 1 | 10461098 <sup>6</sup> | 1993963                |
| 1993964  | 12    | 10    | 8/10  | SAE 1 | 10461098 <sup>6</sup> | 1993964                |
| 1993969  | 12    | 12    | 8/10  | SAE 3 | 10461169              | 1993969                |
| 1993974  | 12    | 12    | 8/10  | SAE 3 | 10461276 <sup>8</sup> | 1993997                |
| 1993988  | 12    | 10    | 8/10  | SAE 1 | 10461416 <sup>7</sup> | 1993988 <sup>7</sup>   |
| 1993994  | 12    | 10    | 8/10  | SAE 1 |                       | 10478957               |
| 1993997  | 12    | 12    | 8/10  | SAE 3 | 10461276 <sup>8</sup> | 1993997                |
| 8300038  | 12    | 12    | 8/10  | SAE 3 | 10461276 <sup>8</sup> | 1993997                |
| 8300039  | 12    | 10    | 8/10  | SAE 1 | 10461098              | 1993963 <sup>6</sup>   |
| 8300041  | 12    | 10    | 8/10  | SAE 1 | 10461110              | 1993947                |
| 10461001 | 12    | 10    | 8/10  | SAE 1 | 10461416              | 1993988                |
| 10461002 | 12    | 10    | 8/10  | SAE 1 | 10461225              |                        |
| 10461003 | 12    | 10    | 8/10  | SAE 1 | 10461225              |                        |
| 10461004 | 12    | 10    | 8/10  | SAE 1 | 10461416              | 1993988                |
| 10461005 | 12    | 10    | 8/10  | SAE 3 | 10461044              |                        |
| 10461006 | 12    | 10    | 8/10  | SAE 3 | 10461058              |                        |
| 10461008 | 12    | 12    | 8/10  | SAE 3 | 10461089              | 1993871                |
| 10461009 | 12    | 12    | 8/10  | SAE 3 | 10461066              | 1993871 <sup>6,8</sup> |
| 10461010 | 12    | 12    | 8/10  | SAE 3 | 10461013              | 1993878                |
| 10461011 | 12    | 10    | 8/10  | SAE 3 | 10461069              |                        |
| 10461012 | 12    | 12    | 8/10  | SAE 3 | 10461066              | 1993871                |
| 10461013 | 12    | 12    | 8/10  | SAE 3 | 10461013              | 1993878                |
| 10461015 | 24    | 10    | 8/10  | SAE 1 | 10461015              | 1993917                |
| 10461016 | 24    | 12    | 8/10  | SAE 3 | 10461016              | 1993902 <sup>8</sup>   |
| 10461017 | 24    | 12    | 8/10  | SAE 3 |                       | 1993902                |
| 10461018 | 24    | 12    | 8/10  | SAE 3 |                       | 1993902                |
| 10461039 | 12    | 10    | 8/10  | SAE 1 | 10461225              | 1993988                |
| 10461040 | 24    | 10    | 8/10  | SAE 1 | 10461015              | 1993917                |
| 10461044 | 12    | 10    | 8/10  | SAE 3 | 10461044              |                        |
| 10461058 | 12    | 10    | 8/10  | SAE 3 | 10461058              |                        |
| 10461066 | 12    | 12    | 8/10  | SAE 3 | 10461066              | 1993871 <sup>6,8</sup> |
| 10461069 | 12    | 10    | 8/10  | SAE 3 | 10461069              |                        |
| 10461081 | 12    | 10    | 8/10  | SAE 1 | 10461098              | 1993963 <sup>6</sup>   |
| 10461082 | 12    | 10    | 8/10  | SAE 1 | 10461110              | 1993947                |
| 10461089 | 12    | 12    | 8/10  | SAE 3 | 10461089              | 1993871                |

| Part No. | Volts | Teeth | Pitch | Mount | Replacement           |                       |
|----------|-------|-------|-------|-------|-----------------------|-----------------------|
|          |       |       |       |       | Reman                 | New                   |
| 10461094 | 12    | 10    | 8/10  | SAE 1 | 10461094              |                       |
| 10461098 | 12    | 10    | 8/10  | SAE 1 | 10461098              | 1993963 <sup>6</sup>  |
| 10461108 | 12    | 10    | 8/10  | SAE 3 | 10461108              |                       |
| 10461109 | 12    | 10    | 8/10  | SAE 3 | 10461108              |                       |
| 10461110 | 12    | 10    | 8/10  | SAE 1 | 10461110              | 1993947               |
| 10461152 | 12    | 10    | 8/10  | SAE 1 | 10461098 <sup>7</sup> |                       |
| 10461169 | 12    | 12    | 8/10  | SAE 3 | 10461169              | 1993969               |
| 10461170 | 12    | 10    | 8/10  | SAE 3 | 10461170              | 10478890              |
| 10461192 | 12    | 12    | 8/10  | SAE 3 | 10461276 <sup>8</sup> | 1993997               |
| 10461199 | 12    | 10    | 8/10  | SAE 3 | 10461069              |                       |
| 10461200 | 12    | 12    | 8/10  | SAE 3 | 10461013 <sup>5</sup> | 1993878 <sup>5</sup>  |
| 10461202 | 24    | 12    | 8/10  | SAE 3 |                       | 1993902               |
| 10461205 | 12    | 10    | 8/10  | SAE 1 | 10461225              | 1993988               |
| 10461207 | 12    | 10    | 8/10  | SAE 1 | 10461207              |                       |
| 10461208 | 12    | 10    | 8/10  | SAE 1 | 10461207              |                       |
| 10461209 | 12    | 10    | 8/10  | SAE 1 | 10461209              | 10479047 <sup>5</sup> |
| 10461210 | 12    | 10    | 8/10  | SAE 1 | 10461209              | 10479047 <sup>5</sup> |
| 10461225 | 12    | 10    | 8/10  | SAE 1 | 10461225              | 1993988               |
| 10461230 | 12    | 12    | 8/10  | SAE 3 | 10461169              | 1993969               |
| 10461231 | 12    | 10    | 8/10  | SAE 3 | 10461170              | 10478890              |
| 10461257 | 24    | 10    | 8/10  | SAE 1 | 10461257              |                       |
| 10461273 | 12    | 10    | 8/10  | SAE 1 | 10461225              | 1993988               |
| 10461274 | 12    | 12    | 8/10  | SAE 3 | 10461276 <sup>8</sup> | 1993997               |
| 10461275 | 12    | 12    | 8/10  | SAE 3 | 10461276 <sup>8</sup> | 1993997               |
| 10461276 | 12    | 12    | 8/10  | SAE 3 | 10461276              | 1993997               |
| 10461277 | 12    | 12    | 8/10  | SAE 3 | 10461277              |                       |
| 10461279 | 12    | 12    | 8/10  | SAE 3 | 10461089              | 1993871               |
| 10461280 | 12    | 12    | 8/10  | SAE 3 | 10461089              | 1993871               |
| 10461297 | 24    | 10    | 8/10  | SAE 1 | 1993930 <sup>7</sup>  | 1993930 <sup>7</sup>  |
| 10461298 | 12    | 10    | 8/10  | SAE 1 | 10461298              |                       |
| 10461303 | 12    | 10    | 8/10  | SAE 1 | 10461225              |                       |
| 10461309 | 24    | 10    | 8/10  | SAE 1 | 1993930 <sup>7</sup>  | 1993930 <sup>7</sup>  |
| 10461310 | 12    | 10    | 8/10  | SAE 1 | 10461298              |                       |
| 10461316 | 12    | 12    | 8/10  | SAE 3 | 10461316              |                       |
| 10461330 | 12    | 12    | 8/10  | SAE 3 | 10461330              |                       |
| 10461385 | 12    | 12    | 8/10  | SAE 3 | 10461169              | 1993969               |
| 10461387 | 12    | 12    | 8/10  | SAE 3 | 10461276 <sup>8</sup> | 1993997               |
| 10461394 | 12    | 10    | 8/10  | SAE 1 | 10461416 <sup>7</sup> | 1993988 <sup>7</sup>  |
| 10461402 | 24    | 12    | 8/10  | SAE 1 |                       | 1993918               |
| 10461405 | 24    | 12    | 8/10  | SAE 1 |                       | 1993918               |
| 10461416 | 12    | 10    | 8/10  | SAE 1 | 10461416 <sup>7</sup> | 1993988 <sup>7</sup>  |
| 10461457 | 24    | 10    | 8/10  | SAE 1 |                       | 1993917 <sup>7</sup>  |
| 10461494 | 12    | 10    | 8/10  | SAE 3 |                       | 10478921              |
| 10461500 | 24    | 12    | 8/10  | SAE 3 | 10461016 <sup>7</sup> |                       |
| 10461514 | 12    | 12    | 8/10  | SAE 3 | 10461089 <sup>8</sup> | 1993871 <sup>8</sup>  |
| 10461523 | 24    | 10    | 8/10  | SAE 1 |                       | 1993917 <sup>7</sup>  |



# 37MT

# Delco Remy Starters

Starters

| Part No. | Volts | Teeth | Pitch | Mount | Replacement           |                       |
|----------|-------|-------|-------|-------|-----------------------|-----------------------|
|          |       |       |       |       | Reman                 | New                   |
| 10461525 | 24    | 10    | 8/10  | SAE 1 | 10461525 <sup>7</sup> |                       |
| 10461718 | 12    | 10    | 8/10  | SAE 3 | 10461170              | 10478890              |
| 10461719 | 12    | 12    | 8/10  | SAE 3 | 10461276 <sup>8</sup> | 1993997               |
| 10478806 | 12    | 10    | 8/10  | SAE 1 | 10461098 <sup>6</sup> | 1993963               |
| 10478811 | 24    | 12    | 8/10  | SAE 1 |                       | 1993918               |
| 10478814 | 24    | 10    | 8/10  | SAE 1 |                       | 10478819 <sup>7</sup> |
| 10478819 | 24    | 10    | 8/10  | SAE 1 |                       | 10478819 <sup>7</sup> |
| 10478831 | 12    | 10    | 8/10  | SAE 1 | 10461225              | 1993988               |
| 10478890 | 12    | 10    | 8/10  | SAE 3 | 10461170              | 10478890              |
| 10478921 | 12    | 10    | 8/10  | SAE 3 |                       | 10478921              |
| 10478928 | 12    | 10    | 8/10  | SAE 1 | 10461416 <sup>7</sup> | 1993988               |
| 10478957 | 12    | 10    | 8/10  | SAE 1 | 10461416              | 10478957 <sup>7</sup> |
| 10479015 | 12    | 10    | 8/10  | SAE 1 | 10461416 <sup>7</sup> | 1993988 <sup>7</sup>  |
| 10479034 | 12    | 12    | 8/10  | SAE 3 |                       | 1993958 <sup>7</sup>  |
| 10479036 | 12    | 10    | 8/10  | SAE 1 |                       | 10479036              |
| 10479047 | 12    | 10    | 8/10  | SAE 1 | 10461209 <sup>5</sup> | 10479047              |
| 10479054 | 12    | 10    | 8/10  | SAE 1 | 10461416 <sup>7</sup> | 1993988 <sup>7</sup>  |

| Part No. | Volts | Teeth | Pitch | Mount | Replacement           |                       |
|----------|-------|-------|-------|-------|-----------------------|-----------------------|
|          |       |       |       |       | Reman                 | New                   |
| 10479068 | 12    | 10    | 8/10  | SAE 1 | 10461207 <sup>6</sup> |                       |
| 10479069 | 12    | 10    | 8/10  | SAE 1 | 10461209              | 10479047 <sup>5</sup> |
| 10479106 | 12    | 12    | 8/10  | SAE 3 | 10461089              | 1993874               |
| 10479108 | 24    | 10    | 8/10  | SAE 1 | 10461257              |                       |
| 10479169 | 12    | 10    | 8/10  | SAE 1 | 10461209              | 10479047 <sup>5</sup> |
| 10479176 | 12    | 12    | 8/10  | SAE 3 | 10461316              |                       |
| 10479179 | 24    | 10    | 8/10  | SAE 1 |                       | 1993917 <sup>7</sup>  |
| 10479180 | 24    | 10    | 8/10  | SAE 1 |                       | 10478819 <sup>7</sup> |
| 10479181 | 24    | 10    | 8/10  | SAE 1 |                       | 10478819              |
| 10479187 | 12    | 12    | 8/10  | SAE 3 | 10461330              |                       |
| 10479188 | 24    | 10    | 8/10  | SAE 1 | 10461015              | 1993917               |
| 10479195 | 12    | 10    | 8/10  | SAE 1 | 10461298              |                       |
| 10479196 | 24    | 12    | 8/10  | SAE 3 |                       | 10479196              |
| 10479214 | 12    | 10    | 8/10  | SAE 3 | 10461170              | 10478890              |
| 10479230 | 12    | 12    | 8/10  | SAE 3 | 10461089 <sup>8</sup> | 1993871 <sup>8</sup>  |
| 10479305 | 12    | 10    | 8/10  | SAE 1 | 10461298              |                       |
| 10479306 | 12    | 10    | 8/10  | SAE 3 | 10461170              | 10478890              |

# 38MT

| Part No. | Volts | Teeth | Pitch | Mount | Replacement |          |
|----------|-------|-------|-------|-------|-------------|----------|
|          |       |       |       |       | Reman       | New      |
| 8200000  | 24    | 12    | 8/10  | SAE 3 | 8300025     | 8200000  |
| 8200005  | 12    | 12    | 8/10  | SAE 3 | 8300005     | 8200005  |
| 8200007  | 12    | 10    | 8/10  | SAE 3 |             | 8200007  |
| 8200023  | 12    | 10    | 8/10  | SAE 1 | 8300024     | 8200077  |
| 8200024  | 24    | 10    | 8/10  | SAE 1 | 8300023     | 8200078  |
| 8200025  | 12    | 12    | 8/10  | SAE 3 | 8300005     | 8200005  |
| 8200026  | 24    | 12    | 8/10  | SAE 3 | 8300025     | 8200072  |
| 8200053  | 24    | 12    | 8/10  | SAE 3 | 8300025     | 8200053  |
| 8200072  | 24    | 12    | 8/10  | SAE 3 | 8300025     | 8200072  |
| 8200075  | 12    | 11    | MOD 3 | SAE 1 | 8300026     | 8200075  |
| 8200076  | 12    | 10    | 8/10  | SAE 1 | 8300021     | 8200076  |
| 8200077  | 12    | 10    | 8/10  | SAE 1 | 8300024     | 8200077  |
| 8200078  | 24    | 10    | 8/10  | SAE 1 | 8300023     | 8200078  |
| 8200211  | 12    | 12    | 8/10  | SAE 3 |             | 19026028 |
| 8200217  | 12    | 12    | 8/10  | SAE 3 | 8300065     | 8200217  |
| 8200235  | 12    | 10    | 8/10  | SAE 1 | 8300066     | 8200235  |
| 8200239  | 12    | 11    | MOD 3 | SAE 1 |             | 8200075  |
| 8200242  | 24    | 10    | 8/10  | SAE 1 |             | 8200242  |
| 8200269  | 24    | 12    | 8/10  | SAE 3 | 8300025     | 8200072  |
| 8200322  | 24    | 12    | 8/10  | SAE 3 | 8300025     | 8200322  |
| 8200324  | 12    | 12    | 8/10  | SAE 3 | 8300005     | 8200005  |
| 8200486  | 24    | 12    | 8/10  | SAE 3 | 8300025     | 8200072  |

| Part No. | Volts | Teeth | Pitch | Mount | Replacement |          |
|----------|-------|-------|-------|-------|-------------|----------|
|          |       |       |       |       | Reman       | New      |
| 8200600  | 24    | 12    | 8/10  | SAE 3 | 8300025     | 8200053  |
| 8300005  | 12    | 12    | 8/10  | SAE 3 | 8300005     | 8200005  |
| 8300021  | 12    | 10    | 8/10  | SAE 1 | 8300021     | 8200076  |
| 8300022  | 12    | 10    | 8/10  | SAE 1 | 8300022     |          |
| 8300023  | 24    | 10    | 8/10  | SAE 1 | 8300023     | 8200078  |
| 8300024  | 12    | 10    | 8/10  | SAE 1 | 8300024     | 8200077  |
| 8300025  | 24    | 12    | 8/10  | SAE 3 | 8300025     | 8200072  |
| 8300026  | 12    | 11    | MOD 3 | SAE 1 | 8300026     | 8200075  |
| 8300065  | 12    | 12    | 8/10  | SAE 3 | 8300065     | 8200217  |
| 8300066  | 12    | 10    | 8/10  | SAE 1 | 8300066     | 8200235  |
| 10461768 | 12    | 10    | 8/10  | SAE 1 | 10461768    | 19026027 |
| 10461769 | 12    | 12    | 8/10  | SAE 3 | 10461769    | 19026028 |
| 10461774 | 24    | 12    | 8/10  | SAE 3 | 8300025     | 8200072  |
| 10461775 | 12    | 10    | 8/10  | SAE 1 | 8300024     | 8200077  |
| 10461776 | 24    | 10    | 8/10  | SAE 1 | 8300023     | 8200078  |
| 19026027 | 12    | 10    | 8/10  | SAE 1 | 10461768    | 19026027 |
| 19026028 | 12    | 12    | 8/10  | SAE 3 | 10461769    | 19026028 |
| 19026029 | 12    | 12    | 8/10  | SAE 3 | 8300005     | 8200005  |
| 19026030 | 24    | 12    | 8/10  | SAE 3 | 8300025     | 8200072  |
| 19026032 | 24    | 10    | 8/10  | SAE 1 | 8300023     | 8200078  |
| 19026035 | 12    | 11    | MOD 3 | SAE 1 | 8300026     | 19026035 |

| Part No. | Volts | Teeth | Pitch | Mount | Replacement           |                      |                      |                        |
|----------|-------|-------|-------|-------|-----------------------|----------------------|----------------------|------------------------|
|          |       |       |       |       | Reman                 | New                  | Fixed Flange         | Rotatable Flange       |
| 8200274  | 24    | 11    | 6/8   | SAE 3 | 8300016 <sup>9</sup>  | 8200274 <sup>9</sup> |                      | 8200330 <sup>9</sup>   |
| 8200327  | 12    | 11    | 6/8   | SAE 3 | 8300019 <sup>9</sup>  |                      |                      | 8200308 <sup>9</sup>   |
| 8200693  | 12    | 11    | 6/8   | SAE 3 | 8300019 <sup>9</sup>  | 8200693 <sup>9</sup> | 8200289 <sup>9</sup> | 8200308 <sup>9</sup>   |
| 8200655  | 12    | 12    | MOD 3 | SAE 3 | 8300084 <sup>10</sup> |                      |                      |                        |
| 8200009  | 24    | 11    | 6/8   | SAE 3 |                       | 8200720 <sup>9</sup> |                      | 8200330                |
| 8200022  | 24    | 11    | 6/8   | SAE 3 |                       | 8200022              |                      | 8200330                |
| 8200027  | 24    | 12    | 8/10  | SAE 3 | 8300011               | 8200702              |                      |                        |
| 8200028  | 12    | 12    | 8/10  | SAE 3 |                       | 8200085              |                      | 8200433 <sup>8</sup>   |
| 8200029  | 24    | 12    | 8/10  | SAE 3 | 8300014               | 19011524             |                      | 8200435 <sup>8</sup>   |
| 8200030  | 12    | 12    | 8/10  | SAE 3 |                       |                      |                      | 8200433 <sup>8</sup>   |
| 8200031  | 12    | 11    | 6/8   | SAE 3 | 8300017               |                      | 8200289              | 8200308                |
| 8200032  | 24    | 11    | 6/8   | SAE 3 |                       | 8200706              |                      | 8200330                |
| 8200033  | 12    | 11    | 6/8   | SAE 3 |                       | 19011530             | 8200289              | 8200308                |
| 8200034  | 24    | 11    | 6/8   | SAE 3 |                       | 8200699              |                      | 8200330                |
| 8200037  | 12    | 11    | 6/8   | SAE 3 | 8300020               |                      | 8200288              |                        |
| 8200038  | 12    | 11    | 6/8   | SAE 3 |                       |                      | 8200289 <sup>9</sup> | 8200308 <sup>9</sup>   |
| 8200039  | 24    | 11    | 6/8   | SAE 3 | 8300016               | 8200706              |                      | 8200330                |
| 8200040  | 12    | 11    | 6/8   | SAE 3 | 8300019               | 19011518             | 8200289              | 8200308                |
| 8200041  | 24    | 11    | 6/8   | SAE 3 | 8300018               | 8200699              |                      | 8200330                |
| 8200050  | 12    | 11    | 6/8   | SAE 3 | 8300009               |                      | 8200289              | 8200308                |
| 8200058  | 12    | 12    | 8/10  | SAE 3 | 8300004               |                      | 8200291              | 8200433 <sup>8</sup>   |
| 8200081  | 12    | 12    | 8/10  | SAE 3 | 8300007               |                      |                      | 8200433 <sup>8</sup>   |
| 8200082  | 12    | 12    | MOD 3 | SAE 3 | 8300008               |                      | 8200287              |                        |
| 8200083  | 12    | 11    | 6/8   | SAE 3 | 8300009               |                      | 8200289              | 8200308                |
| 8200084  | 12    | 12    | MOD 3 | SAE 3 | 8300013               |                      | 8200287              |                        |
| 8200085  | 12    | 12    | 8/10  | SAE 3 |                       |                      |                      | 8200433 <sup>8</sup>   |
| 8200086  | 24    | 12    | 8/10  | SAE 3 | 8300011               | 8200702              |                      | 8200435 <sup>8</sup>   |
| 8200087  | 12    | 12    | 8/10  | SAE 3 | 8300015               |                      |                      | 8200433 <sup>8</sup>   |
| 8200088  | 12    | 11    | 6/8   | SAE 3 | 8300017               |                      | 8200289              | 8200308                |
| 8200090  | 12    | 11    | 6/8   | SAE 3 | 8300009               |                      | 8200289              | 8200308                |
| 8200091  | 12    | 11    | 6/8   | SAE 3 | 8300009               |                      | 8200289              | 8200308                |
| 8200101  | 24    | 12    | 8/10  | SAE 3 |                       |                      |                      | 8200435 <sup>8,9</sup> |
| 8200104  | 12    | 11    | 6/8   | SAE 3 | 8300019               |                      |                      | 8200308                |
| 8200170  | 12    | 12    | 8/10  | SAE 1 |                       |                      |                      |                        |
| 8200182  | 12    | 12    | 8/10  | SAE 3 | 8300061               |                      | 8200469              | 8200433 <sup>8</sup>   |
| 8200186  | 12    | 12    | 8/10  | SAE 3 |                       |                      | 8200291              | 8200433 <sup>8</sup>   |
| 8200200  | 12    | 12    | 8/10  | SAE 3 |                       |                      |                      | 8200433                |
| 8200201  | 24    | 11    | 6/8   | SAE 3 |                       | 8200201 <sup>9</sup> |                      | 8200330 <sup>9</sup>   |
| 8200210  | 12    | 12    | 8/10  | SAE 3 |                       | 8200470              |                      | 8200433                |
| 8200214  | 12    | 12    | 8/10  | SAE 3 | 8300060               |                      | 8200417              |                        |
| 8200218  | 12    | 12    | 8/10  | SAE 3 | 8300015               |                      |                      | 8200433 <sup>8</sup>   |
| 8200219  | 12    | 12    | 8/10  | SAE 3 | 8300007               |                      |                      | 8200433 <sup>8</sup>   |
| 8200223  | 12    | 11    | 8/10  | SAE 1 | 8300059               |                      | 8200468              |                        |
| 8200233  | 12    | 12    | 8/10  | SAE 1 |                       |                      |                      |                        |
| 8200238  | 12    | 11    | 6/8   | SAE 3 |                       | 19011516             | 8200289              | 8200308                |
| 8200243  | 24    | 12    | 8/10  | SAE 3 |                       |                      |                      | 8200435 <sup>8</sup>   |

| Part No. | Volts | Teeth | Pitch | Mount | Replacement |          |              |                      |
|----------|-------|-------|-------|-------|-------------|----------|--------------|----------------------|
|          |       |       |       |       | Reman       | New      | Fixed Flange | Rotatable Flange     |
| 8200244  | 12    | 12    | 8/10  | SAE 3 | 8300015     |          |              | 8200433 <sup>8</sup> |
| 8200258  | 12    | 11    | 6/8   | SAE 3 | 8300019     |          | 8200289      | 8200308              |
| 8200268  | 24    | 12    | 8/10  | SAE 3 |             |          |              | 8200435 <sup>8</sup> |
| 8200272  | 24    | 12    | 8/10  | SAE 3 |             | 8200272  |              | 8200435 <sup>8</sup> |
| 8200284  | 24    | 11    | 6/8   | SAE 3 | 8300018     |          |              | 8200330              |
| 8200285  | 24    | 11    | 6/8   | SAE 3 |             |          |              | 8200330              |
| 8200287  | 12    | 12    | MOD 3 | SAE 3 | 8300008     |          | 8200287      |                      |
| 8200288  | 12    | 11    | 6/8   | SAE 3 | 8300020     |          | 8200288      | 8200308              |
| 8200289  | 12    | 11    | 6/8   | SAE 3 | 8300009     |          | 8200289      | 8200308              |
| 8200290  | 12    | 11    | 6/8   | SAE 3 | 8300009     |          | 8200290      | 8200308              |
| 8200291  | 12    | 12    | 8/10  | SAE 3 |             |          | 8200291      | 8200433 <sup>8</sup> |
| 8200298  | 12    | 12    | MOD 3 | SAE 3 | 8300084     | 8200329  | 8200671      | 8200434              |
| 8200304  | 24    | 11    | 6/8   | SAE 3 |             |          |              | 8200330              |
| 8200305  | 24    | 11    | 6/8   | SAE 3 |             |          |              | 8200330              |
| 8200306  | 24    | 12    | 8/10  | SAE 3 |             |          |              | 8200435 <sup>8</sup> |
| 8200308  | 12    | 11    | 6/8   | SAE 3 |             |          |              | 8200308              |
| 8200314  | 24    | 11    | 6/8   | SAE 3 |             |          |              | 8200330              |
| 8200319  | 12    | 11    | 6/8   | SAE 3 | 8300019     |          | 8200289      | 8200308              |
| 8200321  | 24    | 11    | 6/8   | SAE 3 |             | 8200321  |              | 8200330              |
| 8200323  | 24    | 12    | 8/10  | SAE 3 |             | 8200323  |              | 8200435 <sup>8</sup> |
| 8200329  | 12    | 12    | MOD 3 | SAE 3 |             | 8200671  |              | 8200434              |
| 8200330  | 24    | 11    | 6/8   | SAE 3 |             |          |              | 8200330              |
| 8200337  | 24    | 11    | 6/8   | SAE 3 |             | 8200337  |              | 8200330              |
| 8200360  | 12    | 12    | 8/10  | SAE 3 | 8300007     |          |              | 8200433 <sup>8</sup> |
| 8200405  | 12    | 11    | 6/8   | SAE 3 | 8300009     |          | 8200742      | 8200308              |
| 8200406  | 12    | 11    | 6/8   | SAE 3 |             | 8200406  |              | 8200308              |
| 8200409  | 12    | 11    | 6/8   | SAE 3 | 8300019     | 19011530 | 8200289      | 8200308              |
| 8200410  | 24    | 11    | 6/8   | SAE 3 | 8300018     | 8200699  |              | 8200330              |
| 8200411  | 12    | 11    | 6/8   | SAE 3 | 8300019     | 19011518 | 8200289      | 8200308              |
| 8200412  | 24    | 11    | 6/8   | SAE 3 | 8300018     | 8200699  |              | 8200330              |
| 8200417  | 12    | 12    | 8/10  | SAE 3 | 8300060     |          | 8200417      |                      |
| 8200419  | 24    | 12    | 8/10  | SAE 3 |             |          |              | 8200435 <sup>9</sup> |
| 8200420  | 24    | 11    | 6/8   | SAE 3 |             |          |              | 8200330 <sup>9</sup> |
| 8200421  | 12    | 11    | 6/8   | SAE 3 |             | 19011516 | 8200289      | 8200308              |
| 8200422  | 12    | 11    | 6/8   | SAE 3 | 8300019     |          | 8200289      | 8200308              |
| 8200425  | 24    | 12    | 8/10  | SAE 3 |             |          |              | 8200435 <sup>8</sup> |
| 8200426  | 12    | 12    | 8/10  | SAE 3 | 8300015     |          |              | 8200433 <sup>8</sup> |
| 8200427  | 24    | 12    | 8/10  | SAE 3 |             |          |              | 8200435 <sup>8</sup> |
| 8200428  | 12    | 11    | 6/8   | SAE 3 | 8300017     |          | 8200289      | 8200308              |
| 8200429  | 12    | 11    | 6/8   | SAE 3 | 8300017     |          | 8200289      | 8200308              |
| 8200430  | 24    | 11    | 6/8   | SAE 3 |             |          |              | 8200330              |
| 8200431  | 24    | 11    | 6/8   | SAE 3 |             | 8200337  |              | 8200330              |
| 8200433  | 12    | 12    | 8/10  | SAE 3 |             |          |              | 8200433              |
| 8200434  | 12    | 12    | MOD 3 | SAE 3 | 8300084     |          |              | 8200434              |
| 8200435  | 24    | 12    | 8/10  | SAE 3 |             |          |              | 8200435              |
| 8200436  | 24    | 12    | MOD 3 | SAE 3 |             |          |              | 8200436              |

| Part No. | Volts | Teeth | Pitch | Mount | Replacement |          |              |                          |
|----------|-------|-------|-------|-------|-------------|----------|--------------|--------------------------|
|          |       |       |       |       | Reman       | New      | Fixed Flange | Rotatable Flange         |
| 8200443  | 12    | 12    | 8/10  | SAE 3 | 8300015     | 8200625  |              | 8200433 <sup>8</sup>     |
| 8200444  | 12    | 12    | 8/10  | SAE 3 | 8300015     | 8200625  |              | 8200433 <sup>8</sup>     |
| 8200445  | 12    | 12    | 8/10  | SAE 3 |             | 8200085  |              | 8200433 <sup>8</sup>     |
| 8200446  | 12    | 12    | 8/10  | SAE 3 |             | 8200085  |              | 8200433 <sup>8</sup>     |
| 8200447  | 24    | 12    | 8/10  | SAE 3 | 8300014     | 19011524 |              | 8200435 <sup>8</sup>     |
| 8200448  | 24    | 12    | 8/10  | SAE 3 | 8300014     | 19011524 |              | 8200435 <sup>8</sup>     |
| 8200449  | 24    | 12    | 8/10  | SAE 3 | 8300011     | 8200702  |              | 8200435 <sup>8</sup>     |
| 8200450  | 24    | 12    | 8/10  | SAE 3 | 8300011     | 8200702  |              | 8200435 <sup>8</sup>     |
| 8200457  | 12    | 12    | 8/10  | SAE 3 |             |          |              | 8200433 <sup>8</sup>     |
| 8200464  | 24    | 12    | 8/10  | SAE 3 |             |          |              | 8200435 <sup>8,9</sup>   |
| 8200468  | 12    | 11    | 8/10  | SAE 1 | 8300059     |          | 8200468      |                          |
| 8200469  | 12    | 12    | 8/10  | SAE 3 | 8300061     |          | 8200469      | 8200433 <sup>8</sup>     |
| 8200470  | 12    | 12    | 8/10  | SAE 3 |             | 8200470  |              | 8200433                  |
| 8200519  | 24    | 12    | MOD 3 | SAE 3 |             | 8200519  |              | 8200436                  |
| 8200522  | 24    | 11    | 6/8   | SAE 3 | 8300018     | 8200522  |              | 8200330                  |
| 8200567  | 12    | 11    | 6/8   | SAE 3 | 8300019     | 8200567  |              | 8200308                  |
| 8200568  | 12    | 11    | 6/8   | SAE 3 | 8300009     | 8200657  |              | 8200308                  |
| 8200572  | 12    | 12    | 8/10  | SAE 3 | 8300060     |          | 8200417      |                          |
| 8200585  | 12    | 12    | MOD 3 | SAE 3 |             | 8200655  |              |                          |
| 8200604  | 12    | 11    | 6/8   | SAE 3 | 8300009     |          | 8200289      | 8200308                  |
| 8200605  | 12    | 11    | 6/8   | SAE 3 | 8300009     |          | 8200289      | 8200308                  |
| 8200606  | 12    | 12    | 8/10  | SAE 3 |             | 8200817  |              | 8200433 <sup>11,12</sup> |
| 8200610  | 12    | 12    | 8/10  | SAE 3 | 8300061     |          | 8200469      |                          |
| 8200611  | 12    | 12    | 8/10  | SAE 3 | 8300060     |          | 8200417      |                          |
| 8200612  | 12    | 11    | 8/10  | SAE 1 | 8300059     |          | 8200468      |                          |
| 8200614  | 24    | 11    | 6/8   | SAE 3 |             |          |              | 8200330                  |
| 8200623  | 12    | 11    | 6/8   | SAE 3 | 8300019     |          | 8200289      | 8200308                  |
| 8200624  | 12    | 12    | MOD 3 | SAE 3 | 8300013     |          | 8200287      |                          |
| 8200625  | 12    | 12    | 8/10  | SAE 3 | 8300015     |          |              | 8200433                  |
| 8200627  | 12    | 11    | 6/8   | SAE 3 | 10461777    |          | 8200289      | 8200308                  |
| 8200628  | 12    | 11    | 6/8   | SAE 3 | 8300019     |          | 8200289      | 8200308                  |
| 8200634  | 12    | 12    | 8/10  | SAE 3 |             |          |              | 8200433                  |
| 8200635  | 12    | 12    | 8/10  | SAE 3 | 8300015     |          |              | 8200433 <sup>8</sup>     |
| 8200639  | 12    | 12    | 8/10  | SAE 3 | 8300007     |          |              | 8200433                  |
| 8200640  | 12    | 11    | 6/8   | SAE 3 | 8300019     | 19011530 | 8200289      | 8200308                  |
| 8200643  | 12    | 11    | 6/8   | SAE 3 |             | 19011516 | 8200289      | 8200308                  |
| 8200644  | 12    | 11    | 6/8   | SAE 3 | 8300019     |          | 8200289      | 8200308                  |
| 8200646  | 12    | 12    | 8/10  | SAE 3 | 8300015     |          |              | 8200433 <sup>8</sup>     |
| 8200647  | 12    | 11    | 6/8   | SAE 3 | 8300017     |          | 8200289      | 8200308                  |
| 8200648  | 12    | 12    | 8/10  | SAE 3 | 8300015     |          |              | 8200433 <sup>8</sup>     |
| 8200649  | 12    | 12    | 8/10  | SAE 3 | 8300015     |          |              | 8200433 <sup>8</sup>     |
| 8200653  | 12    | 12    | 8/10  | SAE 3 | 8300015     |          |              | 8200433 <sup>8</sup>     |
| 8200654  | 12    | 11    | 6/8   | SAE 3 |             |          |              | 8200308 <sup>13</sup>    |
| 8200657  | 12    | 11    | 6/8   | SAE 3 | 8300009     | 8200657  |              | 8200308                  |
| 8200659  | 12    | 12    | 8/10  | SAE 3 | 8300007     |          |              | 8200433                  |
| 8200660  | 12    | 12    | MOD 3 | SAE 3 | 8300008     |          | 8200287      |                          |

| Part No. | Volts | Teeth | Pitch | Mount | Replacement |                      |              |                       |
|----------|-------|-------|-------|-------|-------------|----------------------|--------------|-----------------------|
|          |       |       |       |       | Reman       | New                  | Fixed Flange | Rotatable Flange      |
| 8200661  | 12    | 11    | 6/8   | SAE 3 | 8300009     |                      | 8200289      | 8200308               |
| 8200662  | 12    | 11    | 6/8   | SAE 3 | 8300009     |                      | 8200289      | 8200308               |
| 8200664  | 12    | 12    | 8/10  | SAE 3 | 8300007     |                      |              | 8200433 <sup>8</sup>  |
| 8200671  | 12    | 12    | MOD 3 | SAE 3 | 8300084     |                      |              | 8200434               |
| 8200672  | 12    | 12    | 8/10  | SAE 3 | 8300007     |                      |              | 8200433 <sup>8</sup>  |
| 8200681  | 24    | 11    | 6/8   | SAE 3 |             |                      |              | 8200330               |
| 8200684  | 24    | 12    | MOD 3 | SAE 3 |             |                      |              | 8200436               |
| 8200686  | 12    | 11    | 6/8   | SAE 3 | 8300009     |                      | 8200289      | 8200308               |
| 8200687  | 12    | 12    | MOD 3 | SAE 3 | 8300008     |                      | 8200287      |                       |
| 8200688  | 12    | 12    | 8/10  | SAE 3 | 8300007     | 8200688              |              | 8200433 <sup>8</sup>  |
| 8200690  | 12    | 12    | MOD 3 | SAE 3 | 8300013     |                      | 8200287      |                       |
| 8200691  | 12    | 12    | 8/10  | SAE 3 | 8300015     | 8200691              |              | 8200433               |
| 8200692  | 12    | 11    | 6/8   | SAE 3 | 8300019     | 8200692              | 8200289      | 8200308               |
| 8200694  | 12    | 11    | 6/8   | SAE 3 | 8300019     |                      | 8200289      | 8200308               |
| 8200696  | 12    | 11    | 6/8   | SAE 3 | 8300017     |                      | 8200289      | 8200308               |
| 8200697  | 12    | 12    | 8/10  | SAE 3 | 8300015     |                      |              | 8200433 <sup>8</sup>  |
| 8200698  | 12    | 12    | 8/10  | SAE 3 | 8300015     |                      |              | 8200433 <sup>8</sup>  |
| 8200699  | 24    | 11    | 6/8   | SAE 3 |             |                      |              | 8200330               |
| 8200700  | 24    | 11    | 6/8   | SAE 3 | 8300016     | 8200700              |              | 8200330               |
| 8200702  | 24    | 12    | 8/10  | SAE 3 | 8300011     | 8200702              |              | 8200435 <sup>8</sup>  |
| 8200704  | 24    | 11    | 6/8   | SAE 3 |             | 8200704 <sup>9</sup> |              | 8200330 <sup>9</sup>  |
| 8200706  | 24    | 11    | 6/8   | SAE 3 |             | 8200706 <sup>9</sup> |              | 8200330 <sup>9</sup>  |
| 8200707  | 24    | 11    | 6/8   | SAE 3 |             |                      |              | 8200330               |
| 8200709  | 24    | 11    | 6/8   | SAE 3 |             |                      |              | 8200330               |
| 8200711  | 24    | 12    | 8/10  | SAE 3 |             | 8200980              |              | 8200435 <sup>11</sup> |
| 8200712  | 24    | 11    | 6/8   | SAE 3 |             |                      |              | 8200330               |
| 8200713  | 24    | 12    | 8/10  | SAE 3 |             |                      |              | 8200435 <sup>8</sup>  |
| 8200714  | 24    | 12    | 8/10  | SAE 3 |             |                      |              | 8200435 <sup>8</sup>  |
| 8200724  | 24    | 11    | 6/8   | SAE 3 |             |                      |              | 8200330               |
| 8200725  | 24    | 11    | 6/8   | SAE 3 |             |                      |              | 8200330               |
| 8200726  | 24    | 12    | 8/10  | SAE 3 |             |                      |              | 8200435 <sup>8</sup>  |
| 8200727  | 24    | 12    | 8/10  | SAE 3 |             |                      |              | 8200435 <sup>8</sup>  |
| 8200735  | 24    | 12    | MOD 3 | SAE 3 |             |                      |              |                       |
| 8200736  | 24    | 12    | 8/10  | SAE 3 |             | 8200736              |              |                       |
| 8200742  | 12    | 11    | 6/8   | SAE 3 | 8300009     |                      |              | 8200308               |
| 8200747  | 12    | 11    | 6/8   | SAE 3 |             |                      | 8200289      | 8200308               |
| 8200751  | 24    | 11    | 6/8   | SAE 3 |             |                      |              | 8200330               |
| 8200752  | 24    | 11    | 6/8   | SAE 3 |             |                      |              | 8200330               |
| 8200756  | 24    | 11    | 6/8   | SAE 3 |             |                      |              | 8200330               |
| 8200758  | 24    | 11    | 6/8   | SAE 3 |             | 8200758              |              | 8200330               |
| 8200763  | 12    | 12    | 8/10  | SAE 3 |             | 8200763              |              | 8200433               |
| 8200767  | 12    | 11    | 6/8   | SAE 3 |             | 8200767              | 8200289      | 8200308               |
| 8200768  | 12    | 12    | 8/10  | SAE 3 | 8300015     |                      |              | 8200433 <sup>8</sup>  |
| 8200783  | 12    | 12    | 8/10  | SAE 3 | 8300007     |                      |              | 8200433               |
| 8200817  | 12    | 12    | 8/10  | SAE 3 |             |                      |              | 8200433               |
| 8200820  | 12    | 11    | 6/8   | SAE 3 |             |                      |              | 8200308               |

| Part No. | Volts | Teeth | Pitch | Mount | Replacement |          |              |                           |
|----------|-------|-------|-------|-------|-------------|----------|--------------|---------------------------|
|          |       |       |       |       | Reman       | New      | Fixed Flange | Rotatable Flange          |
| 8200844  | 12    | 11    | 6/8   | SAE 3 |             |          |              | 8200308                   |
| 8200855  | 12    | 11    | 6/8   | SAE 3 |             |          |              | 8200308                   |
| 8200857  | 12    | 12    | 8/10  | SAE 3 |             | 8200817  |              | 8200433 <sup>11, 12</sup> |
| 8200858  | 12    | 11    | 6/8   | SAE 3 |             |          |              | 8200308                   |
| 8200859  | 12    | 11    | 6/8   | SAE 3 |             |          |              | 8200308                   |
| 8200860  | 12    | 12    | 8/10  | SAE 3 |             |          |              | 8200433                   |
| 8200862  | 12    | 11    | 8/10  | SAE 1 | 8300059     |          | 8200468      |                           |
| 8200863  | 12    | 12    | 8/10  | SAE 3 |             |          |              | 8200433                   |
| 8200864  | 12    | 12    | 8/10  | SAE 3 |             |          |              | 8200433                   |
| 8200865  | 12    | 11    | 6/8   | SAE 3 |             |          |              | 8200308                   |
| 8200965  | 12    | 12    | MOD 3 | SAE 3 |             | 8200671  |              | 8200434                   |
| 8200980  | 24    | 12    | 8/10  | SAE 3 |             | 8200980  |              | 8200435 <sup>11</sup>     |
| 8300004  | 12    | 12    | 8/10  | SAE 3 | 8300004     |          | 8200291      | 8200433 <sup>8</sup>      |
| 8300007  | 12    | 12    | 8/10  | SAE 3 | 8300007     |          |              | 8200433 <sup>8</sup>      |
| 8300008  | 12    | 12    | MOD 3 | SAE 3 | 8300008     |          | 8200287      |                           |
| 8300009  | 12    | 11    | 6/8   | SAE 3 | 8300009     |          | 8200289      | 8200308                   |
| 8300011  | 24    | 12    | 8/10  | SAE 3 | 8300011     | 8200702  |              |                           |
| 8300012  | 12    | 12    | 8/10  | SAE 3 |             |          |              | 8200433 <sup>8</sup>      |
| 8300013  | 12    | 12    | MOD 3 | SAE 3 | 8300013     |          | 8200287      |                           |
| 8300014  | 24    | 12    | 8/10  | SAE 3 | 8300014     | 19011524 |              | 8200435 <sup>8</sup>      |
| 8300015  | 12    | 12    | 8/10  | SAE 3 | 8300015     |          |              | 8200433 <sup>8</sup>      |
| 8300016  | 24    | 11    | 6/8   | SAE 3 | 8300016     |          |              | 8200330                   |
| 8300017  | 12    | 11    | 6/8   | SAE 3 | 8300017     |          | 8200289      | 8200308                   |
| 8300018  | 24    | 11    | 6/8   | SAE 3 | 8300018     |          |              | 8200330                   |
| 8300019  | 12    | 11    | 6/8   | SAE 3 | 8300019     |          | 8200289      | 8200308                   |
| 8300020  | 12    | 11    | 6/8   | SAE 3 | 8300020     |          | 8200288      | 8200308                   |
| 8300057  | 12    | 12    | 8/10  | SAE 1 |             |          |              |                           |
| 8300058  | 12    | 12    | MOD 3 | SAE 3 | 8300084     | 8200671  |              | 8200434                   |
| 8300059  | 12    | 11    | 8/10  | SAE 1 | 8300059     |          | 8200468      |                           |
| 8300060  | 12    | 12    | 8/10  | SAE 3 | 8300060     |          | 8200417      |                           |
| 8300061  | 12    | 12    | 8/10  | SAE 3 | 8300061     |          | 8200469      | 8200433 <sup>8</sup>      |
| 8300062  | 12    | 12    | 8/10  | SAE 3 |             | 8200470  |              | 8200433                   |
| 8300067  | 12    | 12    | 8/10  | SAE 3 | 8300067     |          |              | 8200433 <sup>8</sup>      |
| 8300068  | 12    | 12    | 8/10  | SAE 3 | 8300068     |          |              | 8200433 <sup>8</sup>      |
| 8300069  | 12    | 11    | 6/8   | SAE 3 | 8300069     |          | 8200289      | 8200308                   |
| 8300084  | 12    | 12    | MOD 3 | SAE 3 | 8300084     | 8200671  |              | 8200434                   |
| 10461334 | 12    | 11    | 6/8   | SAE 3 | 8300020     |          | 8200288      | 8200308                   |
| 10461753 | 12    | 11    | 6/8   | SAE 3 | 8300019     |          | 8200289      | 8200308                   |
| 10461754 | 24    | 11    | 6/8   | SAE 3 | 8300018     | 8200699  |              | 8200330                   |
| 10461755 | 12    | 11    | 6/8   | SAE 3 | 8300017     |          | 8200289      | 8200308                   |
| 10461756 | 24    | 11    | 6/8   | SAE 3 | 8300016     | 8200706  |              | 8200330                   |
| 10461757 | 12    | 12    | 8/10  | SAE 3 | 8300015     | 8200625  |              | 8200433                   |
| 10461758 | 24    | 12    | 8/10  | SAE 3 | 8300014     | 19011524 |              | 8200435 <sup>8</sup>      |
| 10461759 | 24    | 12    | 8/10  | SAE 3 | 8300011     | 8200702  |              |                           |
| 10461760 | 12    | 12    | 8/10  | SAE 3 |             | 8200085  |              | 8200433 <sup>8</sup>      |
| 10461773 | 12    | 12    | MOD 3 | SAE 3 | 8300013     |          | 8200287      | 8200434 <sup>8</sup>      |



| Part No. | Volts | Teeth | Pitch | Mount | Replacement |                      |                      |                      |
|----------|-------|-------|-------|-------|-------------|----------------------|----------------------|----------------------|
|          |       |       |       |       | Reman       | New                  | Fixed Flange         | Rotatable Flange     |
| 10461777 | 12    | 11    | 6/8   | SAE 3 | 10461777    |                      | 8200289              | 8200308              |
| 19011505 | 12    | 11    | 6/8   | SAE 3 | 8300020     |                      | 8200288              | 8200308              |
| 19011506 | 12    | 11    | 6/8   | SAE 3 | 8300019     | 19011518             | 8200289              | 8200308              |
| 19011507 | 24    | 11    | 6/8   | SAE 3 | 8300018     | 8200699              |                      | 8200330              |
| 19011508 | 12    | 11    | 6/8   | SAE 3 | 8300017     |                      | 8200289              | 8200308              |
| 19011509 | 24    | 11    | 6/8   | SAE 3 | 8300016     | 8200706              |                      | 8200330              |
| 19011510 | 12    | 12    | 8/10  | SAE 3 | 8300015     | 8200625              |                      | 8200433 <sup>8</sup> |
| 19011511 | 24    | 12    | 8/10  | SAE 3 | 8300014     | 19011524             |                      | 8200435 <sup>8</sup> |
| 19011512 | 24    | 12    | 8/10  | SAE 3 | 8300011     | 8200702              |                      | 8200435 <sup>8</sup> |
| 19011513 | 12    | 12    | 8/10  | SAE 3 |             | 8200085              |                      | 8200433 <sup>8</sup> |
| 19011514 | 12    | 12    | MOD 3 | SAE 3 | 8300013     |                      | 8200287              |                      |
| 19011515 | 12    | 12    | 8/10  | SAE 3 | 8300004     |                      | 8200291              | 8200433 <sup>8</sup> |
| 19011516 | 12    | 11    | 6/8   | SAE 3 | 10461777    |                      | 8200289              | 8200308              |
| 19011517 | 12    | 12    | 8/10  | SAE 3 | 8300015     | 8200691              |                      | 8200433              |
| 19011518 | 12    | 11    | 6/8   | SAE 3 | 8300019     |                      | 8200289              | 8200308              |
| 19011519 | 12    | 11    | 6/8   | SAE 3 |             |                      | 8200289 <sup>9</sup> | 8200308 <sup>9</sup> |
| 19011521 | 12    | 11    | 6/8   | SAE 3 | 8300009     |                      | 8200289              | 8200308              |
| 19011522 | 24    | 11    | 6/8   | SAE 3 | 8300018     |                      |                      | 8200330              |
| 19011523 | 24    | 11    | 6/8   | SAE 3 | 8300016     |                      |                      | 8200330              |
| 19011524 | 24    | 12    | 8/10  | SAE 3 | 8300014     | 19011524             |                      | 8200435 <sup>8</sup> |
| 19011525 | 12    | 12    | MOD 3 | SAE 3 | 8300008     |                      | 8200287              |                      |
| 19011526 | 12    | 12    | 8/10  | SAE 3 | 8300007     |                      |                      | 8200433 <sup>8</sup> |
| 19011527 | 24    | 11    | 6/8   | SAE 3 |             | 8200719 <sup>9</sup> |                      | 8200330 <sup>9</sup> |
| 19011529 | 12    | 11    | 6/8   | SAE 3 | 8300019     |                      | 8200289              | 8200308              |
| 19011530 | 12    | 11    | 6/8   | SAE 3 | 8300019     |                      | 8200289              | 8200308              |
| 19011531 | 12    | 11    | 6/8   | SAE 3 | 8300020     |                      | 8200288              | 8200308              |

**40MT**

| Part No. | Volts | Teeth | Pitch | Mount | Replacement | Upgrade  |         |
|----------|-------|-------|-------|-------|-------------|----------|---------|
|          |       |       |       |       | Reman       | 42MT     | 39MT    |
| 1113793  | 24    | 11    | 6/8   | SAE 3 |             | 10478998 | 8200330 |
| 1113813  | 24    | 11    | 6/8   | SAE 3 |             | 10478998 | 8200330 |
| 1113818  | 24    | 11    | 6/8   | SAE 3 | 10461047    | 10478998 | 8200330 |
| 1113824  | 24    | 11    | 6/8   | SAE 3 | 10461047    | 10478998 | 8200330 |
| 1113825  | 24    | 11    | 6/8   | SAE 3 | 10461047    | 10478998 | 8200330 |
| 1113831  | 24    | 11    | 6/8   | SAE 3 | 10461047    | 10478998 | 8200330 |
| 1113835  | 24    | 11    | 6/8   | SAE 3 | 10461047    | 10478998 | 8200330 |
| 1113842  | 24    | 11    | 6/8   | SAE 3 | 10461047    | 10478998 | 8200330 |
| 1113844  | 24    | 11    | 6/8   | SAE 3 |             | 10478998 | 8200330 |
| 1113845  | 24    | 11    | 6/8   | SAE 3 | 10461047    | 10478998 | 8200330 |
| 1113846  | 24    | 11    | 6/8   | SAE 3 | 10461047    | 10478998 | 8200330 |
| 1113847  | 24    | 11    | 6/8   | SAE 3 | 10461047    | 10478998 | 8200330 |
| 1113849  | 24    | 11    | 6/8   | SAE 3 | 10461047    | 10478998 | 8200330 |
| 1113850  | 24    | 11    | 6/8   | SAE 3 | 10461047    | 10478998 | 8200330 |
| 1113851  | 24    | 11    | 6/8   | SAE 3 | 10461047    | 10478998 | 8200330 |

| Part No. | Volts | Teeth | Pitch | Mount | Replacement | Upgrade  |         |
|----------|-------|-------|-------|-------|-------------|----------|---------|
|          |       |       |       |       | Reman       | 42MT     | 39MT    |
| 1113855  | 24    | 11    | 6/8   | SAE 3 | 10461047    | 10478998 | 8200330 |
| 1113858  | 24    | 11    | 6/8   | SAE 3 | 10461047    | 10478998 | 8200330 |
| 1113861  | 24    | 11    | 6/8   | SAE 3 | 10461047    | 10478998 | 8200330 |
| 1113862  | 24    | 11    | 6/8   | SAE 3 | 10461047    | 10478998 | 8200330 |
| 1113864  | 24    | 11    | 6/8   | SAE 3 | 10461047    | 10478998 | 8200330 |
| 1113866  | 24    | 11    | 6/8   | SAE 3 | 10461047    | 10478998 | 8200330 |
| 1113867  | 24    | 11    | 6/8   | SAE 3 |             |          | 8200330 |
| 1113868  | 24    | 11    | 6/8   | SAE 3 | 10461047    | 10478998 | 8200330 |
| 1113872  | 24    | 11    | 6/8   | SAE 3 | 10461047    | 10478998 | 8200330 |
| 1113876  | 24    | 11    | 6/8   | SAE 3 | 10461047    | 10478998 | 8200330 |
| 1113879  | 24    | 11    | 6/8   | SAE 3 | 10461047    | 10478998 | 8200330 |
| 1113883  | 24    | 11    | 6/8   | SAE 3 | 10461047    | 10478998 | 8200330 |
| 1113887  | 24    | 11    | 6/8   | SAE 3 | 10461047    | 10478998 | 8200330 |
| 1113892  | 24    | 11    | 6/8   | SAE 3 | 10461047    | 10478998 | 8200330 |
| 1113893  | 24    | 11    | 6/8   | SAE 3 | 10461047    | 10478998 | 8200330 |
| 1113894  | 24    | 11    | 6/8   | SAE 3 |             | 10478998 | 8200330 |
| 1113895  | 24    | 11    | 6/8   | SAE 3 | 10461047    | 10478998 | 8200330 |
| 1113898  | 24    | 11    | 6/8   | SAE 3 | 10461047    | 10478998 | 8200330 |
| 1113900  | 24    | 11    | 6/8   | SAE 3 | 10461047    | 10478998 | 8200330 |
| 1113901  | 24    | 12    | 8/10  | SAE 3 |             | 1990453  | 8200435 |
| 1113902  | 24    | 11    | 6/8   | SAE 3 |             | 10478998 | 8200330 |
| 1113903  | 24    | 11    | 6/8   | SAE 3 |             | 10478998 |         |
| 1113904  | 24    | 12    | 8/10  | SAE 3 |             | 1990453  | 8200435 |
| 1113905  | 24    | 11    | 6/8   | SAE 3 | 10461047    | 10478998 | 8200330 |
| 1113907  | 24    | 11    | 6/8   | SAE 3 | 1990210     | 1990447  | 8200330 |
| 1113914  | 24    | 11    | 6/8   | SAE 3 | 10461047    | 10478998 | 8200330 |
| 1113915  | 24    | 11    | 6/8   | SAE 3 | 10461047    | 10478998 | 8200330 |
| 1113916  | 24    | 11    | 6/8   | SAE 3 | 10461047    | 10478998 | 8200330 |
| 1113917  | 24    | 11    | 6/8   | SAE 3 |             |          | 8200330 |
| 1113922  | 24    | 12    | 8/10  | SAE 3 |             | 1990453  | 8200435 |
| 1113924  | 24    | 11    | 6/8   | SAE 3 | 10461047    | 1993924  | 8200330 |
| 1113925  | 24    | 12    | 8/10  | SAE 3 |             | 1990453  | 8200435 |
| 1113926  | 24    | 11    | 6/8   | SAE 3 | 10461047    | 10478998 | 8200330 |
| 1113928  | 24    | 12    | 8/10  | SAE 3 |             | 1990453  | 8200435 |
| 1113929  | 24    | 11    | 6/8   | SAE 3 | 10461047    | 10478998 | 8200330 |
| 1113930  | 24    | 12    | 8/10  | SAE 3 | 10461107    | 1990432  | 8200435 |
| 1113931  | 12    | 11    | 6/8   | SAE 3 | 10461045    | 1990483  | 8200308 |
| 1113933  | 24    | 12    | 8/10  | SAE 3 |             | 1990453  | 8200435 |
| 1113934  | 24    | 12    | 8/10  | SAE 3 | 10461107    | 1990432  | 8200435 |
| 1113935  | 24    | 11    | 6/8   | SAE 3 | 10461047    | 10478998 | 8200330 |
| 1113938  | 24    | 11    | 6/8   | SAE 3 | 10461047    | 10478998 | 8200330 |
| 1113942  | 24    | 12    | 8/10  | SAE 3 | 10461107    | 1990453  | 8200435 |
| 1113943  | 24    | 12    | 8/10  | SAE 3 | 10461107    | 1990432  | 8200435 |
| 1113944  | 24    | 11    | 6/8   | SAE 3 | 10461047    | 10478998 | 8200330 |
| 1113952  | 24    | 11    | 6/8   | SAE 3 | 10461047    | 10478998 | 8200330 |
| 1113953  | 24    | 11    | 6/8   | SAE 3 | 10461047    | 10478998 | 8200330 |

| Part No. | Volts | Teeth | Pitch | Mount | Replacement | Upgrade  |         |
|----------|-------|-------|-------|-------|-------------|----------|---------|
|          |       |       |       |       | Reman       | 42MT     | 39MT    |
| 1113955  | 24    | 11    | 6/8   | SAE 3 | 10461047    | 10478998 | 8200330 |
| 1113956  | 24    | 11    | 6/8   | SAE 3 | 10461047    | 10478998 | 8200330 |
| 1113957  | 24    | 11    | 6/8   | SAE 3 | 10461047    | 10478998 | 8200330 |
| 1113958  | 24    | 11    | 6/8   | SAE 3 |             | 10478998 | 8200330 |
| 1113959  | 24    | 12    | 8/10  | SAE 3 |             | 1990453  | 8200435 |
| 1113965  | 24    | 11    | 6/8   | SAE 3 | 10461047    | 10478998 | 8200330 |
| 1113966  | 24    | 11    | 6/8   | SAE 3 | 10461047    | 10478998 | 8200330 |
| 1113970  | 24    | 11    | 6/8   | SAE 3 | 10461047    | 10478998 | 8200330 |
| 1113972  | 24    | 11    | 6/8   | SAE 3 | 10461047    | 10478998 | 8200330 |
| 1113973  | 24    | 11    | 6/8   | SAE 3 | 10461047    | 10478998 | 8200330 |
| 1113975  | 24    | 11    | 6/8   | SAE 3 | 10461047    | 10478998 | 8200330 |
| 1113976  | 24    | 11    | 6/8   | SAE 3 | 10461047    | 10478998 | 8200330 |
| 1113978  | 24    | 11    | 6/8   | SAE 3 | 10461047    | 10478998 | 8200330 |
| 1113980  | 24    | 11    | 6/8   | SAE 3 | 10461047    | 10478998 | 8200330 |
| 1113982  | 24    | 12    | 8/10  | SAE 3 |             | 1990453  |         |
| 1113989  | 24    | 12    | 8/10  | SAE 3 |             | 1990453  |         |
| 1113991  | 24    | 11    | 6/8   | SAE 3 | 10461047    | 10478998 | 8200330 |
| 1113992  | 24    | 12    | 8/10  | SAE 3 |             | 1990453  |         |
| 1113993  | 24    | 12    | 8/10  | SAE 3 | 10461107    | 1990453  | 8200435 |
| 1113994  | 24    | 11    | 6/8   | SAE 3 | 10461047    | 10478998 | 8200330 |
| 1113997  | 24    | 11    | 6/8   | SAE 3 | 10461047    | 10478998 | 8200330 |
| 1113998  | 24    | 12    | 8/10  | SAE 3 |             |          | 8200435 |
| 1113999  | 24    | 11    | 6/8   | SAE 3 | 10461047    | 10478998 | 8200330 |
| 1114023  | 12    | 11    | 6/8   | SAE 3 |             |          | 8200308 |
| 1114041  | 12    | 11    | 6/8   | SAE 3 |             |          | 8200308 |
| 1114046  | 12    | 11    | 6/8   | SAE 3 |             | 1990483  | 8200308 |
| 1114055  | 12    | 11    | 6/8   | SAE 3 | 10461045    | 1990483  | 8200308 |
| 1114056  | 12    | 11    | 6/8   | SAE 3 | 10461045    | 1990483  | 8200308 |
| 1114058  | 12    | 11    | 6/8   | SAE 3 | 10461045    | 1990483  | 8200308 |
| 1114059  | 12    | 11    | 6/8   | SAE 3 |             |          | 8200308 |
| 1114064  | 12    | 11    | 6/8   | SAE 3 | 10461045    | 1990483  | 8200308 |
| 1114070  | 12    | 11    | 6/8   | SAE 3 |             | 1990483  | 8200308 |
| 1114071  | 12    | 11    | 6/8   | SAE 3 |             | 1990483  | 8200308 |
| 1114072  | 12    | 11    | 6/8   | SAE 3 | 10461045    | 1990483  | 8200308 |
| 1114076  | 12    | 11    | 6/8   | SAE 3 | 10461045    | 1990483  | 8200308 |
| 1114078  | 12    | 11    | 6/8   | SAE 3 | 10461045    | 1990483  | 8200308 |
| 1114081  | 12    | 11    | 6/8   | SAE 3 | 10461045    | 1990483  | 8200308 |
| 1114084  | 12    | 11    | 6/8   | SAE 3 | 10461045    | 1990483  | 8200308 |
| 1114085  | 12    | 11    | 6/8   | SAE 3 |             | 1990483  | 8200308 |
| 1114086  | 12    | 11    | 6/8   | SAE 3 | 10461045    | 1990483  | 8200308 |
| 1114087  | 12    | 11    | 6/8   | SAE 3 | 10461045    | 1990483  | 8200308 |
| 1114088  | 12    | 11    | 6/8   | SAE 3 | 10461045    | 1990483  | 8200308 |
| 1114089  | 12    | 11    | 6/8   | SAE 3 | 10461045    | 1990483  | 8200308 |
| 1114090  | 12    | 11    | 6/8   | SAE 3 | 10461045    | 1990483  | 8200308 |
| 1114091  | 12    | 11    | 6/8   | SAE 3 | 10461045    | 1990483  | 8200308 |
| 1114092  | 12    | 11    | 6/8   | SAE 3 | 10461045    | 1990483  | 8200308 |

| Part No. | Volts | Teeth | Pitch | Mount | Replacement | Upgrade |         |
|----------|-------|-------|-------|-------|-------------|---------|---------|
|          |       |       |       |       | Reman       | 42MT    | 39MT    |
| 1114095  | 12    | 11    | 6/8   | SAE 3 | 10461045    | 1990483 | 8200308 |
| 1114096  | 12    | 11    | 6/8   | SAE 3 | 10461045    | 1990483 | 8200308 |
| 1114097  | 12    | 11    | 6/8   | SAE 3 |             |         | 8200308 |
| 1114098  | 12    | 11    | 6/8   | SAE 3 | 10461045    | 1990483 | 8200308 |
| 1114102  | 12    | 11    | 6/8   | SAE 3 | 10461045    | 1990483 | 8200308 |
| 1114103  | 12    | 11    | 6/8   | SAE 3 |             | 1990483 | 8200308 |
| 1114104  | 12    | 11    | 6/8   | SAE 3 |             | 1990483 | 8200308 |
| 1114107  | 12    | 11    | 6/8   | SAE 3 | 10461045    | 1990483 | 8200308 |
| 1114109  | 12    | 12    | 8/10  | SAE 3 | 10461046    | 1990379 | 8200433 |
| 1114111  | 12    | 11    | 6/8   | SAE 3 | 10461045    | 1990483 | 8200308 |
| 1114112  | 12    | 12    | 8/10  | SAE 3 | 10461046    | 1990379 | 8200433 |
| 1114113  | 12    | 11    | 6/8   | SAE 3 | 10461045    | 1990483 | 8200308 |
| 1114117  | 12    | 12    | 8/10  | SAE 3 | 10461046    | 1990379 | 8200433 |
| 1114118  | 12    | 11    | 6/8   | SAE 3 | 10461045    | 1990483 | 8200308 |
| 1114119  | 12    | 11    | 6/8   | SAE 3 | 10461045    | 1990483 | 8200308 |
| 1114120  | 12    | 12    | 8/10  | SAE 3 | 10461046    | 1990379 | 8200433 |
| 1114121  | 12    | 12    | 8/10  | SAE 3 | 10461046    | 1990379 | 8200433 |
| 1114122  | 12    | 11    | 6/8   | SAE 3 | 10461045    | 1990483 | 8200308 |
| 1114124  | 12    | 11    | 6/8   | SAE 3 | 10461045    | 1990483 | 8200308 |
| 1114127  | 12    | 12    | 8/10  | SAE 3 | 10461046    | 1990379 | 8200433 |
| 1114128  | 12    | 11    | 6/8   | SAE 3 | 10461045    | 1990483 | 8200308 |
| 1114129  | 12    | 12    | 8/10  | SAE 3 | 10461046    | 1990379 | 8200433 |
| 1114130  | 12    | 11    | 6/8   | SAE 3 | 10461045    | 1990483 | 8200308 |
| 1114133  | 12    | 11    | 6/8   | SAE 3 | 10461045    | 1990483 | 8200308 |
| 1114136  | 12    | 12    | 8/10  | SAE 3 | 10461046    | 1990379 | 8200433 |
| 1114138  | 12    | 12    | 8/10  | SAE 3 | 10461046    | 1990379 | 8200433 |
| 1114139  | 12    | 12    | 8/10  | SAE 3 | 10461046    | 1990379 | 8200433 |
| 1114140  | 12    | 11    | 6/8   | SAE 3 | 10461045    | 1990483 | 8200308 |
| 1114143  | 12    | 11    | 6/8   | SAE 3 | 10461045    | 1990483 | 8200308 |
| 1114145  | 12    | 11    | 6/8   | SAE 3 | 10461045    | 1990483 | 8200308 |
| 1114147  | 12    | 11    | 6/8   | SAE 3 |             | 1990483 | 8200308 |
| 1114148  | 12    | 11    | 6/8   | SAE 3 | 10461045    | 1990483 | 8200308 |
| 1114150  | 12    | 11    | 6/8   | SAE 3 | 10461045    | 1990483 | 8200308 |
| 1114151  | 12    | 12    | 8/10  | SAE 3 | 10461046    | 1990379 | 8200433 |
| 1114157  | 12    | 11    | 6/8   | SAE 3 | 10461045    | 1990483 | 8200308 |
| 1114160  | 12    | 12    | 8/10  | SAE 3 | 10461046    | 1990379 | 8200433 |
| 1114164  | 12    | 11    | 6/8   | SAE 3 | 10461045    | 1990483 | 8200308 |
| 1114165  | 12    | 11    | 6/8   | SAE 3 | 10461045    | 1990483 | 8200308 |
| 1114170  | 12    | 11    | 6/8   | SAE 3 | 10461045    | 1990483 | 8200308 |
| 1114172  | 12    | 11    | 6/8   | SAE 3 | 10461045    | 1990483 | 8200308 |
| 1114183  | 12    | 11    | 6/8   | SAE 3 |             |         | 8200308 |
| 1114187  | 12    | 11    | 6/8   | SAE 3 | 10461045    | 1990483 | 8200308 |
| 1114188  | 12    | 11    | 6/8   | SAE 3 | 10461045    | 1990483 | 8200308 |
| 1114193  | 12    | 11    | 6/8   | SAE 3 | 10461045    | 1990483 | 8200308 |
| 1114194  | 12    | 11    | 6/8   | SAE 3 | 10461045    | 1990483 | 8200308 |
| 1114196  | 12    | 11    | 6/8   | SAE 3 | 10461045    | 1990483 | 8200308 |

| Part No. | Volts | Teeth | Pitch | Mount | Replacement           | Upgrade              |                      |
|----------|-------|-------|-------|-------|-----------------------|----------------------|----------------------|
|          |       |       |       |       | Reman                 | 42MT                 | 39MT                 |
| 1114198  | 12    | 11    | 6/8   | SAE 3 | 10461045              | 1990483              | 8200433              |
| 1114700  | 12    | 11    | 6/8   | SAE 3 | 10461045              | 1990483              | 8200308              |
| 1114702  | 12    | 11    | 6/8   | SAE 3 |                       |                      | 8200308              |
| 1114703  | 12    | 12    | 8/10  | SAE 3 | 10461046              | 1990379              | 8200433              |
| 1114705  | 12    | 12    | 8/10  | SAE 3 | 10461046              | 1990379              | 8200433              |
| 1114706  | 24    | 12    | 8/10  | SAE 3 |                       | 1990453              | 8200435              |
| 1114707  | 24    | 12    | 8/10  | SAE 3 |                       | 1990453              | 8200435              |
| 1114708  | 12    | 12    | 8/10  | SAE 3 | 10461046              | 1990379              | 8200433              |
| 1114715  | 24    | 11    | 6/8   | SAE 3 | 10461047              | 10478998             | 8200330              |
| 1114718  | 24    | 11    | 6/8   | SAE 3 | 1990210               | 1990447              | 8200330              |
| 1114720  | 12    | 11    | 6/8   | SAE 3 | 10461045              | 1990483              | 8200308              |
| 1114722  | 12    | 11    | 6/8   | SAE 3 | 10461045              | 1990483              | 8200308              |
| 1114723  | 12    | 11    | 6/8   | SAE 3 | 10461045              | 1990483              | 8200308              |
| 1114727  | 24    | 11    | 6/8   | SAE 3 | 10461047              | 10478998             | 8200330              |
| 1114730  | 24    | 11    | 6/8   | SAE 3 |                       | 10478998             | 8200330              |
| 1114734  | 12    | 12    | 8/10  | SAE 3 |                       | 1990379              | 8200433              |
| 1114740  | 24    | 12    | 8/10  | SAE 3 |                       | 1990453              | 8200435              |
| 1114741  | 12    | 11    | 6/8   | SAE 3 | 10461045              | 1990483              | 8200308              |
| 1114742  | 24    | 12    | 8/10  | SAE 3 |                       | 1990453              | 8200435              |
| 1114744  | 12    | 12    | 8/10  | SAE 3 | 10461046              | 1990379              | 8200433              |
| 1114745  | 12    | 12    | 8/10  | SAE 3 |                       | 1990379              | 8200433              |
| 1114746  | 12    | 12    | 8/10  | SAE 3 | 10461046              | 1990379              | 8200433              |
| 1114747  | 12    | 11    | 6/8   | SAE 3 | 10461045              | 1990483              | 8200308              |
| 1114751  | 12    | 11    | 6/8   | SAE 3 | 10461045              | 1990483              | 8200308              |
| 1114752  | 12    | 11    | 6/8   | SAE 3 | 10461045              | 1990483              | 8200308              |
| 1114758  | 12    | 11    | 6/8   | SAE 3 |                       | 1990483              | 8200308              |
| 1114759  | 24    | 12    | 8/10  | SAE 3 |                       |                      | 8200435              |
| 1114760  | 24    | 11    | 6/8   | SAE 3 | 10461047              | 10478998             | 8200330              |
| 1114762  | 24    | 11    | 6/8   | SAE 3 |                       | 10478998             | 8200330              |
| 1114766  | 12    | 11    | 6/8   | SAE 3 | 10461045 <sup>5</sup> | 1990483 <sup>5</sup> | 8200308 <sup>5</sup> |
| 1114768  | 24    | 12    | 8/10  | SAE 3 | 10461107              | 1990432              | 8200435              |
| 1114769  | 12    | 11    | 6/8   | SAE 3 | 10461045              | 1990483              | 8200308              |
| 1114770  | 12    | 13    | 8/10  | SAE 3 | 10461059              | 1990379              |                      |
| 1114771  | 12    | 13    | 8/10  | SAE 3 | 10461059              | 1990379              |                      |
| 1114772  | 24    | 12    | 8/10  | SAE 3 |                       | 1990453              | 8200435              |
| 1114773  | 12    | 12    | 8/10  | SAE 3 |                       |                      | 8200433              |
| 1114775  | 12    | 13    | 8/10  | SAE 3 | 10461059              |                      |                      |
| 1114776  | 24    | 12    | 8/10  | SAE 3 | 10461107              | 1990453              | 8200435              |
| 1114781  | 24    | 11    | 6/8   | SAE 3 | 10461047              | 10478998             | 8200330              |
| 1114782  | 24    | 12    | 8/10  | SAE 3 |                       | 1990453              | 8200435              |
| 1114783  | 24    | 11    | 6/8   | SAE 3 |                       |                      | 8200330              |
| 1114784  | 24    | 11    | 6/8   | SAE 3 | 10461047              | 10478998             | 8200330              |
| 1114787  | 12    | 12    | 8/10  | SAE 3 | 10461060              | 1990379 <sup>8</sup> | 8200433 <sup>8</sup> |
| 1114788  | 12    | 11    | 6/8   | SAE 3 |                       | 1990483              | 8200308              |
| 1114789  | 12    | 13    | 8/10  | SAE 3 | 10461059              | 1990379              |                      |
| 1114790  | 24    | 11    | 6/8   | SAE 3 | 10461047              | 10478998             | 8200330              |

| Part No. | Volts | Teeth | Pitch | Mount | Replacement            | Upgrade               |                      |
|----------|-------|-------|-------|-------|------------------------|-----------------------|----------------------|
|          |       |       |       |       | Reman                  | 42MT                  | 39MT                 |
| 1114792  | 24    | 11    | 6/8   | SAE 3 | 1990210                | 1990447               | 8200330              |
| 1114796  | 12    | 13    | 8/10  | SAE 3 | 10461059               | 1990379               |                      |
| 1114799  | 12    | 11    | 6/8   | SAE 3 | 10461045               | 1990483               | 8200308              |
| 1114801  | 12    | 11    | 6/8   | SAE 3 |                        | 1990483               | 8200308              |
| 1114803  | 12    | 11    | 6/8   | SAE 3 |                        | 1990483               | 8200308              |
| 1114805  | 24    | 12    | 8/10  | SAE 3 |                        | 1990453               | 8200435              |
| 1114806  | 12    | 11    | 6/8   | SAE 3 |                        | 1990483               | 8200308              |
| 1114810  | 12    | 11    | 6/8   | SAE 3 |                        |                       | 8200308              |
| 1114811  | 12    | 11    | 6/8   | SAE 3 | 10461045 <sup>5</sup>  | 1990483 <sup>5</sup>  | 8200308 <sup>5</sup> |
| 1114812  | 12    | 11    | 6/8   | SAE 3 | 10461045               | 1990483               | 8200308              |
| 1114813  | 12    | 11    | 6/8   | SAE 3 | 10461045               | 1990483               | 8200308              |
| 1114814  | 12    | 11    | 6/8   | SAE 3 | 10461045               | 1990483               | 8200308              |
| 1114815  | 12    | 11    | 6/8   | SAE 3 | 10461045               | 1990483               | 8200308              |
| 1114816  | 12    | 11    | 6/8   | SAE 3 | 10461045               | 1990483               | 8200308              |
| 1114817  | 12    | 11    | 6/8   | SAE 3 |                        |                       | 8200308              |
| 1114818  | 12    | 11    | 6/8   | SAE 3 |                        |                       | 8200308              |
| 1114819  | 12    | 11    | 6/8   | SAE 3 | 10461045               | 1990483               | 8200308              |
| 1114820  | 12    | 11    | 6/8   | SAE 3 | 10461045               | 1990483               | 8200308              |
| 1114821  | 12    | 11    | 6/8   | SAE 3 |                        |                       | 8200308              |
| 1114823  | 12    | 12    | 8/10  | SAE 3 | 10461046 <sup>8</sup>  | 1990379 <sup>8</sup>  | 8200433 <sup>8</sup> |
| 1114824  | 12    | 12    | 8/10  | SAE 3 | 10461046               | 1990379               | 8200433              |
| 1114826  | 12    | 12    | 8/10  | SAE 3 | 10461046               | 1990379               | 8200433              |
| 1114828  | 12    | 12    | 8/10  | SAE 3 | 10461046               | 1990379               | 8200433              |
| 1114829  | 12    | 12    | 8/10  | SAE 3 |                        | 1990379               | 8200433              |
| 1114831  | 12    | 12    | 8/10  | SAE 3 | 10461046 <sup>8</sup>  | 1990379 <sup>8</sup>  | 8200433 <sup>8</sup> |
| 1114832  | 12    | 12    | 8/10  | SAE 3 | 10461046               | 1990379               | 8200433              |
| 1114833  | 12    | 12    | 8/10  | SAE 3 | 10461046               | 1990379               | 8200433              |
| 1114834  | 12    | 12    | 8/10  | SAE 3 | 10461046               | 1990379               | 8200433              |
| 1114835  | 12    | 12    | 8/10  | SAE 3 |                        |                       | 8200433 <sup>8</sup> |
| 1114836  | 12    | 12    | 8/10  | SAE 3 |                        |                       | 8200433              |
| 1114840  | 24    | 11    | 6/8   | SAE 3 | 1990210                | 1990447               |                      |
| 1114842  | 24    | 11    | 6/8   | SAE 3 | 10461047               | 10478998 <sup>5</sup> | 8200330              |
| 1114843  | 24    | 12    | 8/10  | SAE 3 |                        |                       | 8200435              |
| 1114845  | 24    | 12    | 8/10  | SAE 3 | 10461107               | 1990453               | 8200435              |
| 1114846  | 24    | 11    | 6/8   | SAE 3 | 10461047               | 10478998              | 8200330              |
| 1114847  | 24    | 11    | 6/8   | SAE 3 | 10461047               | 10478998              | 8200330              |
| 1114848  | 24    | 11    | 6/8   | SAE 3 | 10461047               | 10478998              | 8200330              |
| 1114849  | 24    | 11    | 6/8   | SAE 3 | 10461047               | 1993924 <sup>14</sup> | 8200330              |
| 1114851  | 24    | 11    | 6/8   | SAE 3 |                        |                       | 8200330              |
| 1114852  | 24    | 11    | 6/8   | SAE 3 | 10461047               | 10478998              | 8200330              |
| 1114853  | 24    | 11    | 6/8   | SAE 3 | 10461047               | 1993924 <sup>14</sup> | 8200330              |
| 1114854  | 24    | 11    | 6/8   | SAE 3 | 10461047               | 10478998              | 8200330              |
| 1114855  | 24    | 11    | 6/8   | SAE 3 | 10461047               | 10478998              | 8200330              |
| 1114856  | 24    | 12    | 8/10  | SAE 3 | 10461107 <sup>14</sup> | 1990453 <sup>14</sup> | 8200435              |
| 1114858  | 24    | 12    | 8/10  | SAE 3 |                        | 1990366 <sup>8</sup>  | 8200435 <sup>8</sup> |
| 1114859  | 24    | 12    | 8/10  | SAE 3 | 10461107 <sup>8</sup>  | 1990453 <sup>8</sup>  | 8200435 <sup>8</sup> |



| Part No. | Volts | Teeth | Pitch | Mount | Replacement | Upgrade              |                      |
|----------|-------|-------|-------|-------|-------------|----------------------|----------------------|
|          |       |       |       |       | Reman       | 42MT                 | 39MT                 |
| 1114860  | 24    | 12    | 8/10  | SAE 3 |             | 1990366 <sup>8</sup> | 8200435 <sup>8</sup> |
| 1114861  | 24    | 12    | 8/10  | SAE 3 |             |                      | 8200435              |
| 1114862  | 24    | 12    | 8/10  | SAE 3 |             | 1990453              | 8200435              |
| 1114863  | 24    | 12    | 8/10  | SAE 3 |             |                      | 8200435 <sup>8</sup> |
| 1114864  | 24    | 12    | 8/10  | SAE 3 |             | 1990453              | 8200435              |
| 1114871  | 24    | 12    | 8/10  | SAE 3 |             | 1990453              | 8200435              |
| 1114872  | 24    | 12    | 8/10  | SAE 3 |             |                      | 8200435              |
| 1114873  | 24    | 11    | 6/8   | SAE 3 | 10461047    | 10478998             | 8200330              |
| 1114876  | 24    | 11    | 6/8   | SAE 3 |             |                      | 8200330              |
| 1114878  | 24    | 11    | 6/8   | SAE 3 | 10461047    | 10478998             | 8200330              |
| 1114879  | 24    | 11    | 6/8   | SAE 3 | 10461047    | 10478998             | 8200330              |
| 1114880  | 24    | 11    | 6/8   | SAE 3 | 10461047    | 10478998             | 8200330              |
| 1114883  | 12    | 12    | 8/10  | SAE 3 |             |                      | 8200433              |
| 1114884  | 12    | 12    | 8/10  | SAE 3 | 10461060    | 1990379              | 8200433              |
| 1114885  | 12    | 12    | 8/10  | SAE 3 |             |                      | 8200433              |
| 1114886  | 12    | 12    | 8/10  | SAE 3 |             |                      | 8200433 <sup>8</sup> |
| 1114887  | 12    | 12    | 8/10  | SAE 3 | 10461046    | 1990379              | 8200433              |
| 1114888  | 12    | 12    | 8/10  | SAE 3 | 10461046    | 1990379              | 8200433              |
| 1114892  | 12    | 11    | 6/8   | SAE 3 | 10461045    | 1990483              | 8200308              |
| 1114893  | 12    | 11    | 6/8   | SAE 3 | 10461045    | 1990483              | 8200308              |
| 1114894  | 12    | 11    | 6/8   | SAE 3 | 10461045    | 1990483              | 8200308              |
| 1114895  | 12    | 11    | 6/8   | SAE 3 | 10461045    | 1990483              | 8200308              |
| 1114896  | 12    | 11    | 6/8   | SAE 3 | 10461045    | 1990483              | 8200308              |
| 1114897  | 12    | 11    | 6/8   | SAE 3 | 10461045    | 1990483              | 8200308              |
| 1114898  | 12    | 11    | 6/8   | SAE 3 | 10461045    | 1990483              | 8200308              |
| 1114899  | 12    | 11    | 6/8   | SAE 3 | 10461045    | 1990483              | 8200308              |
| 1114903  | 24    | 11    | 6/8   | SAE 3 | 10461047    | 10478998             | 8200330              |
| 1114905  | 24    | 12    | 8/10  | SAE 3 |             |                      | 8200435              |
| 1114906  | 12    | 11    | 6/8   | SAE 3 | 10461045    | 1990483              | 8200308              |
| 1114907  | 24    | 11    | 6/8   | SAE 3 | 10461047    | 10478998             | 8200330              |
| 1114909  | 24    | 11    | 6/8   | SAE 3 | 10461047    | 10478998             | 8200330              |
| 1114910  | 24    | 12    | 8/10  | SAE 3 |             | 1990453              | 8200435              |
| 1114911  | 12    | 12    | 8/10  | SAE 3 | 10461046    | 1990379              | 8200433              |
| 1114915  | 24    | 11    | 6/8   | SAE 3 |             |                      | 8200330              |
| 1114916  | 24    | 11    | 6/8   | SAE 3 |             |                      | 8200330              |
| 1114917  | 24    | 12    | 8/10  | SAE 3 | 10461107    | 1990453              | 8200435              |
| 1114918  | 12    | 11    | 6/8   | SAE 3 |             | 1990483              | 8200308              |
| 1114919  | 12    | 11    | 6/8   | SAE 3 |             | 1990483              | 8200308              |
| 1114920  | 12    | 13    | 8/10  | SAE 3 | 10461059    |                      |                      |
| 1114922  | 24    | 11    | 6/8   | SAE 3 | 1990210     | 1990447              | 8200330              |
| 1114923  | 24    | 11    | 6/8   | SAE 3 | 10461047    | 10478998             | 8200330              |
| 1114927  | 12    | 13    | 8/10  | SAE 3 | 10461059    |                      |                      |
| 1114928  | 12    | 11    | 6/8   | SAE 3 | 10461045    | 1990483              | 8200308              |
| 1114934  | 12    | 13    | 8/10  | SAE 3 | 10461059    |                      |                      |
| 1114935  | 24    | 11    | 6/8   | SAE 3 | 10461047    | 10478998             | 8200330              |
| 1114936  | 12    | 13    | 8/10  | SAE 3 | 10461059    | 1990379              |                      |

| Part No. | Volts | Teeth | Pitch | Mount | Replacement            | Upgrade                |                      |
|----------|-------|-------|-------|-------|------------------------|------------------------|----------------------|
|          |       |       |       |       | Reman                  | 42MT                   | 39MT                 |
| 1114937  | 12    | 11    | 6/8   | SAE 3 | 10461045               | 1990483                | 8200308              |
| 1114938  | 12    | 11    | 6/8   | SAE 3 | 10461045               |                        | 8200308              |
| 1114939  | 12    | 11    | 6/8   | SAE 3 |                        |                        | 8200308              |
| 1114940  | 12    | 11    | 6/8   | SAE 3 |                        |                        | 8200308              |
| 1114941  | 12    | 11    | 6/8   | SAE 3 | 10461045               | 1990483                | 8200308              |
| 1114942  | 12    | 12    | 8/10  | SAE 3 |                        | 1990379                | 8200433              |
| 1114943  | 12    | 11    | 6/8   | SAE 3 | 10461045               |                        | 8200308              |
| 1114944  | 12    | 13    | 8/10  | SAE 3 | 10461059               |                        |                      |
| 1114945  | 24    | 12    | 8/10  | SAE 3 | 10461107 <sup>14</sup> | 1990453 <sup>14</sup>  | 8200435              |
| 1114950  | 24    | 11    | 6/8   | SAE 3 | 10461047               | 10478998               | 8200330              |
| 1114951  | 24    | 11    | 6/8   | SAE 3 | 10461047               | 10478998               | 8200330              |
| 1114956  | 12    | 11    | 6/8   | SAE 3 |                        | 1990483                | 8200308              |
| 1114958  | 24    | 11    | 6/8   | SAE 3 | 10461047 <sup>14</sup> | 10478998 <sup>14</sup> | 8200330              |
| 1114960  | 12    | 11    | 6/8   | SAE 3 |                        |                        | 8200308              |
| 1114961  | 12    | 11    | 6/8   | SAE 3 | 10461045               | 1990483                | 8200308              |
| 1114963  | 24    | 11    | 6/8   | SAE 3 | 10461047               | 10478998               | 8200330              |
| 1114964  | 24    | 11    | 6/8   | SAE 3 | 10461047               | 10478998               | 8200330              |
| 1114965  | 12    | 11    | 6/8   | SAE 3 | 10461045               | 1990483                | 8200308              |
| 1114966  | 12    | 12    | 8/10  | SAE 3 | 10461046               | 1990379                | 8200433              |
| 1114968  | 24    | 12    | 8/10  | SAE 3 |                        | 1990453                | 8200435              |
| 1114970  | 24    | 11    | 6/8   | SAE 3 | 10461047               | 10478998               | 8200330              |
| 1114972  | 12    | 11    | 6/8   | SAE 3 | 10461045               |                        | 8200308              |
| 1114975  | 12    | 11    | 6/8   | SAE 3 | 10461045               |                        | 8200308              |
| 1114976  | 12    | 12    | 8/10  | SAE 3 | 10461046               |                        | 8200433              |
| 1114977  | 12    | 12    | 8/10  | SAE 3 | 10461060 <sup>5</sup>  | 1990379 <sup>5</sup>   | 8200433              |
| 1114979  | 24    | 11    | 6/8   | SAE 3 |                        |                        | 8200330              |
| 1114981  | 24    | 11    | 6/8   | SAE 3 | 10461047               | 1993924 <sup>14</sup>  | 8200330              |
| 1114984  | 12    | 11    | 6/8   | SAE 3 | 10461045               | 1990483                | 8200308              |
| 1114985  | 12    | 11    | 6/8   | SAE 3 | 10461045               | 1990483                | 8200308              |
| 1114986  | 12    | 12    | 8/10  | SAE 3 | 10461046               | 1990379                | 8200433              |
| 1114987  | 24    | 11    | 6/8   | SAE 3 | 10461047               | 10478998               | 8200330              |
| 1114988  | 12    | 11    | 6/8   | SAE 3 |                        |                        | 8200308              |
| 1114989  | 24    | 12    | 8/10  | SAE 3 | 10461107               | 1990453                | 8200435              |
| 1114990  | 12    | 11    | 6/8   | SAE 3 |                        |                        | 8200308              |
| 1114991  | 12    | 12    | 8/10  | SAE 3 | 10461046               |                        | 8200433              |
| 1114992  | 12    | 11    | 6/8   | SAE 3 |                        |                        | 8200308              |
| 1114993  | 12    | 11    | 6/8   | SAE 3 |                        |                        | 8200308              |
| 1114999  | 12    | 11    | 6/8   | SAE 3 |                        | 1990483                | 8200308              |
| 1990200  | 12    | 12    | 8/10  | SAE 3 | 10461046               |                        | 8200433              |
| 1990201  | 12    | 11    | 6/8   | SAE 3 |                        |                        | 8200308              |
| 1990202  | 24    | 11    | 6/8   | SAE 3 |                        |                        | 8200330              |
| 1990205  | 12    | 12    | 8/10  | SAE 3 | 10461046 <sup>8</sup>  | 1990379 <sup>8</sup>   | 8200433 <sup>8</sup> |
| 1990208  | 12    | 12    | 8/10  | SAE 3 |                        |                        | 8200433              |
| 1990209  | 12    | 11    | 6/8   | SAE 3 |                        |                        | 8200308              |
| 1990210  | 24    | 11    | 6/8   | SAE 3 | 1990210                | 1990447                |                      |
| 1990220  | 12    | 12    | 8/10  | SAE 3 | 10461046               | 1990379                | 8200433              |

| Part No. | Volts | Teeth | Pitch | Mount | Replacement            | Upgrade               |                      |
|----------|-------|-------|-------|-------|------------------------|-----------------------|----------------------|
|          |       |       |       |       | Reman                  | 42MT                  | 39MT                 |
| 1990221  | 12    | 12    | 8/10  | SAE 3 | 10461046               | 1990379               | 8200433              |
| 1990222  | 24    | 11    | 6/8   | SAE 3 | 10461047               | 10478998              | 8200330              |
| 1990223  | 12    | 13    | 8/10  | SAE 3 | 10461059               |                       |                      |
| 1990224  | 12    | 11    | 6/8   | SAE 3 | 10461045               | 1990483               | 8200308              |
| 1990279  | 24    | 11    | 6/8   | SAE 3 | 10461047               | 10478998              | 8200330              |
| 1990281  | 12    | 12    | 8/10  | SAE 3 | 10461046               | 1990379               | 8200433              |
| 1990282  | 24    | 11    | 6/8   | SAE 3 | 10461047               | 10478998              | 8200330              |
| 1990283  | 24    | 12    | 8/10  | SAE 3 | 10461107               | 1990453               | 8200435              |
| 1990290  | 12    | 12    | 8/10  | SAE 3 | 10461046               | 1990379               | 8200433              |
| 1990296  | 12    | 11    | 6/8   | SAE 3 |                        |                       | 8200308              |
| 1990297  | 24    | 12    | 8/10  | SAE 3 |                        | 1990453               | 8200435              |
| 1990300  | 12    | 12    | 8/10  | SAE 3 |                        |                       | 8200433              |
| 1990302  | 12    | 12    | 8/10  | SAE 3 |                        |                       | 8200433              |
| 1990303  | 12    | 11    | 6/8   | SAE 3 |                        | 1990483               | 8200308              |
| 1990304  | 12    | 12    | 8/10  | SAE 3 |                        |                       | 8200433              |
| 1990306  | 12    | 11    | 6/8   | SAE 3 | 10461045               | 1990483               | 8200308              |
| 1990307  | 24    | 11    | 6/8   | SAE 3 | 10461047               | 10478998              | 8200330              |
| 1990324  | 24    | 12    | 8/10  | SAE 3 |                        | 1990453               | 8200435              |
| 1990325  | 12    | 12    | 8/10  | SAE 3 | 10461046 <sup>8</sup>  | 1990379 <sup>8</sup>  | 8200433 <sup>8</sup> |
| 1990328  | 24    | 11    | 6/8   | SAE 3 | 10461047               | 10478998              | 8200330              |
| 1990335  | 12    | 12    | 8/10  | SAE 3 |                        |                       | 8200433              |
| 1990342  | 12    | 12    | 8/10  | SAE 3 |                        |                       | 8200433 <sup>8</sup> |
| 1990343  | 24    | 12    | 8/10  | SAE 3 | 10461107 <sup>14</sup> | 1990432 <sup>14</sup> | 8200435              |
| 1990481  | 12    | 12    | 8/10  | SAE 3 |                        |                       | 8200433              |
| 1990482  | 24    | 11    | 6/8   | SAE 3 | 10461047               | 10478998              | 8200330 <sup>8</sup> |
| 1990488  | 12    | 12    | 8/10  | SAE 3 |                        |                       | 8200433              |
| 1993700  | 24    | 11    | 6/8   | SAE 3 |                        |                       | 8200330              |
| 1993703  | 12    | 12    | 8/10  | SAE 3 | 10461046               | 1990379               | 8200433              |
| 1993758  | 12    | 12    | 8/10  | SAE 3 |                        |                       | 8200433              |
| 8300042  | 12    | 11    | 6/8   | SAE 3 | 10461045               | 1990483               | 8200308              |
| 8300043  | 12    | 12    | 8/10  | SAE 3 | 10461046               | 1990379               | 8200433              |
| 8300044  | 24    | 11    | 6/8   | SAE 3 | 10461047               | 10478998              | 8200330              |
| 8300045  | 24    | 12    | 8/10  | SAE 3 | 10461107               | 1990453               | 8200435              |
| 10461041 | 12    | 11    | 6/8   | SAE 3 |                        |                       | 8200308              |
| 10461045 | 12    | 11    | 6/8   | SAE 3 | 10461045               | 1990483               | 8200308              |
| 10461046 | 12    | 12    | 8/10  | SAE 3 | 10461046               | 1990379               | 8200433              |
| 10461047 | 24    | 11    | 6/8   | SAE 3 | 10461047               | 10478998              | 8200330              |
| 10461048 | 12    | 11    | 6/8   | SAE 3 |                        |                       | 8200308              |
| 10461049 | 12    | 12    | 8/10  | SAE 3 |                        |                       | 8200433              |
| 10461059 | 12    | 13    | 8/10  | SAE 3 | 10461059               |                       |                      |
| 10461060 | 12    | 12    | 8/10  | SAE 3 | 10461060               | 1990379 <sup>8</sup>  | 8200433 <sup>8</sup> |
| 10461061 | 12    | 12    | 8/10  | SAE 3 | 10461046               |                       | 8200433              |
| 10461067 | 12    | 11    | 6/8   | SAE 3 |                        |                       | 8200308              |
| 10461073 | 12    | 11    | 6/8   | SAE 3 |                        |                       | 8200308              |
| 10461074 | 12    | 11    | 6/8   | SAE 3 |                        |                       | 8200308              |
| 10461092 | 24    | 11    | 6/8   | SAE 3 |                        |                       | 8200330              |

# Delco Remy Starters

## 40MT

| Part No. | Volts | Teeth | Pitch | Mount | Replacement           |  | Upgrade              |                      |
|----------|-------|-------|-------|-------|-----------------------|--|----------------------|----------------------|
|          |       |       |       |       | Reman                 |  | 42MT                 | 39MT                 |
| 10461093 | 24    | 12    | 8/10  | SAE 3 |                       |  |                      | 8200435              |
| 10461107 | 24    | 12    | 8/10  | SAE 3 | 10461107              |  | 1990453              | 8200435              |
| 10461178 | 12    | 11    | 6/8   | SAE 3 | 10461045              |  | 1990483              | 8200308              |
| 10461179 | 24    | 11    | 6/8   | SAE 3 | 10461047              |  | 10478998             | 8200330              |
| 10461180 | 12    | 11    | 6/8   | SAE 3 |                       |  |                      | 8200308              |
| 10461442 | 12    | 11    | 6/8   | SAE 3 | 10461045              |  | 1990483              | 8200308              |
| 10461517 | 12    | 12    | 8/10  | SAE 3 | 10461046 <sup>8</sup> |  | 1990379 <sup>8</sup> | 8200433 <sup>8</sup> |
| 10461695 | 12    | 11    | 6/8   | SAE 3 | 10461045              |  | 1990483              | 8200308              |
| 10461720 | 24    | 12    | 8/10  | SAE 3 | 10461107              |  | 1990453              | 8200435              |
| 10461721 | 12    | 12    | 8/10  | SAE 3 | 10461046 <sup>8</sup> |  | 1990379 <sup>8</sup> | 8200433 <sup>8</sup> |
| 10461722 | 24    | 11    | 6/8   | SAE 3 | 10461047              |  | 10478998             | 8200330              |

## 41MT

| Part No. | Volts | Teeth | Pitch | Mount | Replacement           |                       | Upgrade               |
|----------|-------|-------|-------|-------|-----------------------|-----------------------|-----------------------|
|          |       |       |       |       | Reman                 | New                   | 38MT                  |
| 1993995  | 24    | 12    | 8/10  | SAE 1 | 10461417 <sup>6</sup> | 10479013              |                       |
| 8200055  | 12    | 12    | 8/10  | SAE 1 |                       | 8200055               |                       |
| 8200080  | 12    | 12    | 8/10  | SAE 3 | 10461304 <sup>5</sup> | 8200080               |                       |
| 8200095  | 24    | 12    | 8/10  | SAE 1 |                       | 8200178               |                       |
| 8200107  | 12    | 12    | 8/10  | SAE 3 | 10461171 <sup>5</sup> | 10478999 <sup>5</sup> |                       |
| 8200178  | 24    | 12    | 8/10  | SAE 1 |                       | 8200178 <sup>7</sup>  |                       |
| 8200197  | 12    | 12    | 8/10  | SAE 3 | 10461171              |                       |                       |
| 8200251  | 12    | 12    | 8/10  | SAE 3 | 8300073               |                       |                       |
| 8200252  | 12    | 12    | 8/10  | SAE 3 | 8300074               |                       |                       |
| 8300046  | 24    | 12    | 8/10  | SAE 1 | 10461417 <sup>7</sup> | 10479013              |                       |
| 8300073  | 12    | 12    | 8/10  | SAE 3 | 8300073               |                       |                       |
| 8300074  | 12    | 12    | 8/10  | SAE 3 | 8300074               | 10478812              |                       |
| 10461083 | 24    | 12    | 8/10  | SAE 1 | 10461417              | 10479013              |                       |
| 10461085 | 24    | 12    | 8/10  | SAE 1 | 10461417              | 10479013              |                       |
| 10461153 | 24    | 12    | 8/10  | SAE 1 | 10461417 <sup>7</sup> | 10479013              |                       |
| 10461171 | 12    | 12    | 8/10  | SAE 3 | 10461171              | 10478999              |                       |
| 10461182 | 24    | 11    | 6/8   | SAE 3 | 10461333              | 10478898              |                       |
| 10461227 | 12    | 12    | 8/10  | SAE 3 | 10461171              | 10478999              |                       |
| 10461239 | 24    | 12    | 8/10  | SAE 3 | 10461239              |                       | 8200072 <sup>15</sup> |
| 10461240 | 12    | 12    | 8/10  | SAE 3 | 10461240              | 10478818              |                       |
| 10461282 | 12    | 12    | 8/10  | SAE 1 | 10461282 <sup>7</sup> |                       |                       |
| 10461304 | 12    | 12    | 8/10  | SAE 3 | 10461304              | 10478812              |                       |
| 10461318 | 12    | 11    | 6/8   | SAE 3 |                       |                       |                       |
| 10461319 | 12    | 11    | 6/8   | SAE 3 |                       |                       |                       |
| 10461321 | 24    | 12    | 8/10  | SAE 1 |                       | 8200178               |                       |
| 10461333 | 24    | 11    | 6/8   | SAE 3 | 10461333              | 10478898              |                       |
| 10461384 | 12    | 12    | 8/10  | SAE 3 | 10461304              | 10478812              |                       |
| 10461386 | 12    | 12    | 8/10  | SAE 3 | 10461171              | 10478999              |                       |
| 10461390 | 24    | 11    | 6/8   | SAE 3 | 10461408              | 10478898 <sup>5</sup> |                       |
| 10461391 | 12    | 11    | 6/8   | SAE 3 |                       |                       |                       |

| Part No. | Volts | Teeth | Pitch | Mount | Replacement              |                       | Upgrade                  |
|----------|-------|-------|-------|-------|--------------------------|-----------------------|--------------------------|
|          |       |       |       |       | Reman                    | New                   | 38MT                     |
| 10461395 | 24    | 12    | 8/10  | SAE 1 | 10461417 <sup>7</sup>    | 10479013              |                          |
| 10461408 | 24    | 11    | 6/8   | SAE 3 | 10461408                 | 10478898 <sup>5</sup> |                          |
| 10461409 | 12    | 11    | 6/8   | SAE 3 |                          |                       |                          |
| 10461417 | 24    | 12    | 8/10  | SAE 1 | 10461417 <sup>7</sup>    | 10479013              |                          |
| 10461431 | 12    | 12    | 8/10  | SAE 1 | 10461431                 | 10479215              |                          |
| 10461434 | 12    | 12    | 8/10  | SAE 1 | 10461282 <sup>6</sup>    | 10479206              |                          |
| 10461435 | 12    | 12    | 8/10  | SAE 3 | 10461435                 |                       | 8200005 <sup>6, 15</sup> |
| 10461436 | 12    | 12    | 8/10  | SAE 1 |                          | 10479246              |                          |
| 10461439 | 12    | 12    | 8/10  | SAE 1 | 10461431                 |                       |                          |
| 10461440 | 12    | 12    | 8/10  | SAE 1 |                          | 10479206              |                          |
| 10461441 | 12    | 12    | 8/10  | SAE 1 |                          | 10479246              |                          |
| 10461458 | 24    | 12    | 8/10  | SAE 3 |                          |                       |                          |
| 10461496 | 12    | 12    | 8/10  | SAE 1 | 10461496                 | 10479242              |                          |
| 10461503 | 24    | 11    | 6/8   | SAE 3 |                          |                       |                          |
| 10461504 | 24    | 11    | 6/8   | SAE 3 |                          | 10479079              |                          |
| 10461528 | 24    | 12    | 8/10  | SAE 3 | 10461528                 | 10479213 <sup>5</sup> |                          |
| 10461716 | 24    | 12    | 8/10  | SAE 1 |                          |                       |                          |
| 10478812 | 12    | 12    | 8/10  | SAE 3 | 10461304                 | 10478812              |                          |
| 10478815 | 24    | 12    | 8/10  | SAE 1 | 10461417                 | 10479013              |                          |
| 10478817 | 24    | 12    | 8/10  | SAE 3 | 10461239                 |                       |                          |
| 10478818 | 12    | 12    | 8/10  | SAE 3 | 10461240                 | 10478818              |                          |
| 10478897 | 12    | 11    | 6/8   | SAE 3 |                          | 1990483               |                          |
| 10478898 | 24    | 11    | 6/8   | SAE 3 | 10461333                 | 10478898              |                          |
| 10478926 | 12    | 12    | 8/10  | SAE 3 | 10461240                 | 10478818              | 8200005 <sup>15</sup>    |
| 10478961 | 24    | 12    | 8/10  | SAE 1 | 10461417 <sup>7</sup>    | 10479013              |                          |
| 10478999 | 12    | 12    | 8/10  | SAE 3 | 10461171                 | 10478999              |                          |
| 10479013 | 24    | 12    | 8/10  | SAE 1 | 10461417 <sup>7</sup>    | 10479013 <sup>7</sup> |                          |
| 10479023 | 12    | 11    | 6/8   | SAE 3 |                          |                       |                          |
| 10479024 | 24    | 11    | 6/8   | SAE 3 | 10461408                 | 10478898 <sup>5</sup> |                          |
| 10479043 | 24    | 11    | 6/8   | SAE 3 |                          |                       |                          |
| 10479060 | 12    | 12    | 8/10  | SAE 3 |                          | 10479060              |                          |
| 10479071 | 12    | 12    | 8/10  | SAE 1 |                          | 10479071 <sup>7</sup> |                          |
| 10479079 | 24    | 11    | 6/8   | SAE 3 |                          | 10479079              |                          |
| 10479098 | 12    | 12    | 8/10  | SAE 1 |                          | 10479098 <sup>7</sup> |                          |
| 10479102 | 12    | 12    | 8/10  | SAE 1 | 10461282 <sup>7</sup>    |                       |                          |
| 10479109 | 12    | 12    | 8/10  | SAE 3 | 10461240                 | 10478818              | 8200005 <sup>15</sup>    |
| 10479121 | 12    | 12    | 8/10  | SAE 1 | 10461240 <sup>6, 8</sup> |                       |                          |
| 10479148 | 24    | 12    | 8/10  | SAE 3 | 10461528                 |                       |                          |
| 10479165 | 12    | 11    | 6/8   | SAE 3 |                          |                       |                          |
| 10479172 | 24    | 12    | 8/10  | SAE 1 | 10461417 <sup>7</sup>    | 10479013              |                          |
| 10479197 | 24    | 12    | 8/10  | SAE 1 |                          | 8200178               |                          |
| 10479205 | 24    | 12    | 8/10  | SAE 3 |                          |                       |                          |
| 10479206 | 12    | 12    | 8/10  | SAE 1 | 10461496                 |                       |                          |
| 10479215 | 12    | 12    | 8/10  | SAE 1 | 10461431                 | 10479215              |                          |
| 10479221 | 24    | 12    | 8/10  | SAE 3 | 10461239                 |                       |                          |

# Delco Remy Starters

**41MT**

| Part No. | Volts | Teeth | Pitch | Mount | Replacement |          | Upgrade                  |
|----------|-------|-------|-------|-------|-------------|----------|--------------------------|
|          |       |       |       |       | Reman       | New      | 38MT                     |
| 10479226 | 12    | 12    | 8/10  | SAE 1 | 10461282    | 10479226 |                          |
| 10479232 | 24    | 12    | 8/10  | SAE 3 | 10461528    |          |                          |
| 10479235 | 24    | 12    | 8/10  | SAE 1 |             | 8200178  |                          |
| 10479242 | 12    | 12    | 8/10  | SAE 1 | 10461496    | 10479242 |                          |
| 10479243 | 12    | 12    | 8/10  | SAE 1 | 10461431    | 10479243 |                          |
| 10479244 | 12    | 12    | 8/10  | SAE 1 | 10461431    |          |                          |
| 10479246 | 12    | 12    | 8/10  | SAE 1 |             | 10479246 |                          |
| 10479249 | 12    | 12    | 8/10  | SAE 1 | 10461496    | 10479242 |                          |
| 10479250 | 12    | 12    | 8/10  | SAE 3 | 10461435    |          |                          |
| 10479262 | 12    | 12    | 8/10  | SAE 1 |             | 10479262 |                          |
| 10479263 | 12    | 12    | 8/10  | SAE 1 |             | 10479263 |                          |
| 10479275 | 24    | 12    | 8/10  | SAE 3 |             |          | 8200072 <sup>15</sup>    |
| 10479278 | 12    | 12    | 8/10  | SAE 1 |             | 10479071 |                          |
| 10479283 | 12    | 11    | MOD 3 | SAE 1 |             | 10479283 |                          |
| 10479292 | 24    | 12    | 8/10  | SAE 3 |             |          | 8200072 <sup>15</sup>    |
| 10479293 | 24    | 12    | 8/10  | SAE 1 |             |          |                          |
| 10479299 | 12    | 11    | MOD 3 | SAE 1 |             | 10479299 |                          |
| 10479300 | 12    | 12    | 8/10  | SAE 3 |             |          | 8200005 <sup>6, 15</sup> |
| 10479307 | 12    | 12    | 8/10  | SAE 1 |             | 10479307 |                          |
| 10479363 | 24    | 12    | 8/10  | SAE 3 |             | 10479363 |                          |
| 15035444 | 12    | 12    | 8/10  | SAE 1 | 10461282    | 10479206 |                          |
| 15744813 | 12    | 12    | 8/10  | SAE 1 | 10461496    | 10479242 |                          |
| 15744814 | 12    | 12    | 8/10  | SAE 1 | 10461431    | 10479243 |                          |
| 15744815 | 12    | 12    | 8/10  | SAE 1 |             | 10479246 |                          |

**42MT**

| Part No. | Volts | Teeth | Pitch | Mount | Replacement           |                      | Upgrade              |
|----------|-------|-------|-------|-------|-----------------------|----------------------|----------------------|
|          |       |       |       |       | Reman                 | New                  | 39MT                 |
| 1990337  | 12    | 11    | 6/8   | SAE 3 | 10461052              | 1990483              | 8200308              |
| 1990344  | 24    | 11    | 6/8   | SAE 3 | 10461068              | 10478998             | 8200330              |
| 1990348  | 12    | 11    | 6/8   | SAE 3 | 10461052              | 1990483              | 8200308              |
| 1990349  | 12    | 12    | 8/10  | SAE 3 |                       |                      | 8200433              |
| 1990350  | 24    | 12    | 8/10  | SAE 3 | 10461025              |                      | 8200435              |
| 1990352  | 12    | 11    | 6/8   | SAE 3 | 10461052              | 1990352              | 8200308              |
| 1990353  | 12    | 12    | 8/10  | SAE 3 | 10461021              | 1990379              | 8200433              |
| 1990354  | 12    | 11    | 6/8   | SAE 3 | 10461052              | 1990483              | 8200308              |
| 1990355  | 12    | 11    | 6/8   | SAE 3 | 10461055              | 1990355              | 8200308              |
| 1990356  | 12    | 12    | 8/10  | SAE 3 | 10461328              | 1990379 <sup>8</sup> | 8200433 <sup>8</sup> |
| 1990357  | 24    | 12    | 8/10  | SAE 3 | 10461025 <sup>8</sup> | 1990453 <sup>8</sup> | 8200435 <sup>8</sup> |
| 1990358  | 12    | 11    | 6/8   | SAE 3 | 10461052              | 1990483              | 8200308              |
| 1990359  | 24    | 12    | 8/10  | SAE 3 | 10461025              | 1990453              | 8200435              |
| 1990360  | 24    | 12    | 8/10  | SAE 3 | 10461025              | 1990366              | 8200435              |
| 1990361  | 24    | 11    | 6/8   | SAE 3 | 10461068              | 10478998             | 8200330              |
| 1990362  | 12    | 12    | 8/10  | SAE 3 | 10461021              | 1990379              | 8200433              |
| 1990363  | 12    | 11    | 6/8   | SAE 3 | 10461052              | 1990483              | 8200308              |

See pages 73-76 for Service Note information



| Part No. | Volts | Teeth | Pitch | Mount | Replacement             |                      | Upgrade              |
|----------|-------|-------|-------|-------|-------------------------|----------------------|----------------------|
|          |       |       |       |       | Reman                   | New                  | 39MT                 |
| 1990364  | 24    | 12    | 8/10  | SAE 3 |                         | 1990453              | 8200435              |
| 1990366  | 24    | 12    | 8/10  | SAE 3 |                         | 1990366              | 8200435              |
| 1990367  | 24    | 11    | 6/8   | SAE 3 | 10461068                | 10478998             | 8200330              |
| 1990368  | 24    | 11    | 6/8   | SAE 3 | 10461068                | 10478998             | 8200330              |
| 1990369  | 12    | 12    | 8/10  | SAE 3 | 10461051                | 1990379              | 8200433              |
| 1990370  | 12    | 12    | 8/10  | SAE 3 | 10461021                | 1990379              | 8200433              |
| 1990371  | 24    | 12    | 8/10  | SAE 3 |                         |                      | 8200435              |
| 1990372  | 12    | 12    | 8/10  | SAE 3 | 10461077                |                      | 8200433              |
| 1990373  | 24    | 12    | 8/10  | SAE 3 | 10461025                | 1990453              | 8200435              |
| 1990374  | 12    | 12    | 8/10  | SAE 3 | 10461051                | 1990379              | 8200433              |
| 1990375  | 12    | 11    | 6/8   | SAE 3 | 10461052                | 1990483              | 8200308              |
| 1990376  | 12    | 11    | 6/8   | SAE 3 | 10461052                | 1990483              | 8200308              |
| 1990377  | 12    | 13    | 8/10  | SAE 3 | 10461133                |                      |                      |
| 1990378  | 24    | 11    | 6/8   | SAE 3 | 10461068                | 10478998             | 8200330              |
| 1990379  | 12    | 12    | 8/10  | SAE 3 | 10461050                | 1990379              | 8200433              |
| 1990382  | 24    | 11    | 6/8   | SAE 3 | 10461068                | 10478998             | 8200330              |
| 1990383  | 24    | 11    | 6/8   | SAE 3 | 10461068                | 10478998             | 8200330              |
| 1990385  | 12    | 12    | 8/10  | SAE 3 | 10461050                | 1990379              | 8200433              |
| 1990386  | 12    | 11    | 6/8   | SAE 3 | 10461052                | 1990483              | 8200308              |
| 1990387  | 12    | 12    | 8/10  | SAE 3 | 10461050                | 1990379              | 8200433              |
| 1990388  | 24    | 11    | 6/8   | SAE 3 | 10461068                | 10478998             | 8200330              |
| 1990391  | 12    | 11    | 6/8   | SAE 3 | 10461055                | 1990484              | 8200308              |
| 1990392  | 12    | 11    | 6/8   | SAE 3 | 10461052                | 1990483              | 8200308              |
| 1990393  | 12    | 11    | 6/8   | SAE 3 | 10461055                | 1990484              | 8200308              |
| 1990394  | 12    | 12    | 8/10  | SAE 3 | 10461050 <sup>8</sup>   | 1990379 <sup>8</sup> | 8200433 <sup>8</sup> |
| 1990396  | 12    | 11    | 6/8   | SAE 3 |                         | 1990483              | 8200308              |
| 1990397  | 12    | 12    | 8/10  | SAE 3 | 10461078                |                      | 8200433              |
| 1990398  | 12    | 11    | 6/8   | SAE 3 | 10461052                | 1990483              | 8200308              |
| 1990399  | 12    | 12    | 8/10  | SAE 3 | 10461050                |                      | 8200433              |
| 1990400  | 12    | 11    | 6/8   | SAE 3 | 10461052                | 1990483              | 8200308              |
| 1990401  | 12    | 12    | 8/10  | SAE 3 | 10461051 <sup>8</sup>   | 1990379 <sup>8</sup> | 8200433 <sup>8</sup> |
| 1990402  | 24    | 12    | 8/10  | SAE 3 | 10461025 <sup>8</sup>   | 1990402              | 8200435 <sup>8</sup> |
| 1990403  | 12    | 12    | 8/10  | SAE 3 | 10461021                | 1990379              | 8200433              |
| 1990404  | 12    | 12    | 8/10  | SAE 3 |                         |                      | 8200433 <sup>8</sup> |
| 1990405  | 12    | 12    | 8/10  | SAE 3 | 10461050 <sup>5,8</sup> | 1990405              | 8200433 <sup>8</sup> |
| 1990406  | 12    | 12    | 8/10  | SAE 3 | 10461233                | 1990406              | 8200433 <sup>8</sup> |
| 1990407  | 12    | 12    | 8/10  | SAE 3 | 10461051 <sup>8</sup>   | 1990379 <sup>8</sup> | 8200433 <sup>8</sup> |
| 1990408  | 12    | 12    | 8/10  | SAE 3 |                         |                      | 8200433              |
| 1990411  | 24    | 11    | 6/8   | SAE 3 | 10461068                | 10478998             | 8200330              |
| 1990413  | 24    | 12    | 8/10  | SAE 3 | 10461025 <sup>8</sup>   | 1990413              | 8200435 <sup>8</sup> |
| 1990414  | 24    | 12    | 8/10  | SAE 3 | 10461025 <sup>8</sup>   | 1990453 <sup>8</sup> | 8200435 <sup>8</sup> |
| 1990415  | 24    | 12    | 8/10  | SAE 3 |                         | 1990415              | 8200435 <sup>8</sup> |
| 1990416  | 24    | 11    | 6/8   | SAE 3 | 10461068                | 10478998             | 8200330              |
| 1990418  | 24    | 11    | 6/8   | SAE 3 | 10461068                | 1990418              | 8200330              |
| 1990419  | 12    | 12    | 8/10  | SAE 3 | 10461051                | 1990379              | 8200433              |

# Delco Remy Starters

**42MT**

| Part No. | Volts | Teeth | Pitch | Mount | Replacement           |                      | Upgrade              |
|----------|-------|-------|-------|-------|-----------------------|----------------------|----------------------|
|          |       |       |       |       | Reman                 | New                  | 39MT                 |
| 1990420  | 12    | 11    | 6/8   | SAE 3 | 10461052              | 1990483              | 8200308              |
| 1990421  | 12    | 11    | 6/8   | SAE 3 | 10461055              | 1990484              | 8200308              |
| 1990422  | 24    | 11    | 6/8   | SAE 3 | 10461068              | 10478998             | 8200330              |
| 1990423  | 12    | 11    | 6/8   | SAE 3 | 10461052              | 1990483              | 8200308              |
| 1990424  | 12    | 11    | 6/8   | SAE 3 | 10461052              | 1990483              | 8200308              |
| 1990426  | 12    | 11    | 6/8   | SAE 3 | 10461096              | 1990484              | 8200308              |
| 1990427  | 12    | 12    | 8/10  | SAE 3 |                       |                      | 8200433              |
| 1990428  | 12    | 11    | 6/8   | SAE 3 | 10461055              | 1990484              | 8200308              |
| 1990429  | 12    | 12    | 8/10  | SAE 3 | 10461021              | 1990379              | 8200433              |
| 1990431  | 12    | 11    | 6/8   | SAE 3 |                       |                      | 8200308              |
| 1990432  | 24    | 12    | 8/10  | SAE 3 |                       | 1990432              | 8200435              |
| 1990434  | 24    | 11    | 6/8   | SAE 3 |                       |                      | 8200330              |
| 1990436  | 24    | 11    | 6/8   | SAE 3 | 1990447               | 1990447              | 8200330              |
| 1990437  | 24    | 11    | 6/8   | SAE 3 | 10461068              | 10478998             | 8200330              |
| 1990438  | 12    | 13    | 8/10  | SAE 3 | 10461133              |                      |                      |
| 1990446  | 12    | 11    | 6/8   | SAE 3 |                       |                      | 8200308              |
| 1990447  | 24    | 11    | 6/8   | SAE 3 |                       | 1990447              |                      |
| 1990448  | 12    | 13    | 8/10  | SAE 3 | 10461133              |                      |                      |
| 1990449  | 12    | 11    | 6/8   | SAE 3 |                       |                      | 8200308              |
| 1990450  | 12    | 11    | 6/8   | SAE 3 | 10461052              | 1990483              | 8200308              |
| 1990451  | 12    | 12    | 8/10  | SAE 3 |                       |                      | 8200433              |
| 1990453  | 24    | 12    | 8/10  | SAE 3 | 10461025              | 1990453              | 8200435              |
| 1990454  | 24    | 11    | 6/8   | SAE 3 | 10461068              | 10478998             | 8200330              |
| 1990455  | 24    | 12    | 8/10  | SAE 3 | 10461025              | 1990366              | 8200435              |
| 1990456  | 24    | 11    | 6/8   | SAE 3 | 10461068              | 10478998             | 8200330              |
| 1990458  | 12    | 11    | 6/8   | SAE 3 | 10461052              | 1990483              | 8200308              |
| 1990460  | 24    | 11    | 6/8   | SAE 3 | 10461068              | 10478998             | 8200330              |
| 1990462  | 24    | 11    | 6/8   | SAE 3 |                       |                      | 8200330              |
| 1990463  | 24    | 11    | 6/8   | SAE 3 |                       |                      | 8200330              |
| 1990464  | 24    | 11    | 6/8   | SAE 3 | 10461068              |                      | 8200330              |
| 1990466  | 12    | 12    | 8/10  | SAE 3 | 10461050              | 1990379              | 8200433              |
| 1990468  | 12    | 11    | 6/8   | SAE 3 | 10461052              | 1990483              | 8200308              |
| 1990469  | 12    | 12    | 8/10  | SAE 3 | 10461050 <sup>8</sup> | 1990379 <sup>8</sup> | 8200433 <sup>8</sup> |
| 1990470  | 12    | 11    | 6/8   | SAE 3 | 10461052              | 1990483              | 8200308              |
| 1990471  | 12    | 12    | 8/10  | SAE 3 | 10461021              | 1990379              | 8200433              |
| 1990473  | 12    | 13    | 8/10  | SAE 3 | 10461133              |                      |                      |
| 1990474  | 24    | 12    | 8/10  | SAE 3 | 10461025              | 1990453              | 8200435              |
| 1990477  | 12    | 11    | 6/8   | SAE 3 | 10461052              | 1990483              | 8200308              |
| 1990478  | 12    | 11    | 6/8   | SAE 3 | 10461052              | 1990483              | 8200308              |
| 1990483  | 12    | 11    | 6/8   | SAE 3 | 10461052              | 1990483              | 8200308              |
| 1990484  | 12    | 11    | 6/8   | SAE 3 | 10461055              | 1990484              | 8200308              |
| 1990485  | 24    | 11    | 6/8   | SAE 3 | 10461068              | 10478998             | 8200330              |
| 1990489  | 12    | 11    | 6/8   | SAE 3 | 10461075              | 1990489              | 8200308              |
| 1990490  | 12    | 11    | 6/8   | SAE 3 | 10461053              | 1990490              | 8200308              |
| 1990491  | 24    | 11    | 6/8   | SAE 3 | 10461054              | 10478998             | 8200330              |

**Starters**

| Part No. | Volts | Teeth | Pitch | Mount | Replacement             |                      | Upgrade                |
|----------|-------|-------|-------|-------|-------------------------|----------------------|------------------------|
|          |       |       |       |       | Reman                   | New                  | 39MT                   |
| 1990492  | 12    | 12    | 8/10  | SAE 3 | 10461050                |                      | 8200433                |
| 1990493  | 24    | 11    | 6/8   | SAE 3 | 10461068                | 10478998             | 8200330                |
| 1990495  | 12    | 11    | 6/8   | SAE 3 | 10461052                | 1990483              | 8200308                |
| 1990496  | 12    | 12    | 8/10  | SAE 3 | 10461414 <sup>7</sup>   |                      | 8200433 <sup>9</sup>   |
| 1990497  | 24    | 12    | 8/10  | SAE 3 | 10461031 <sup>7</sup>   | 10479009             | 8200435 <sup>9</sup>   |
| 1993772  | 12    | 12    | 8/10  | SAE 3 |                         |                      | 8200433                |
| 1993776  | 12    | 11    | 6/8   | SAE 3 | 10461055                | 1990484              | 8200308                |
| 1993782  | 12    | 12    | 8/10  | SAE 3 | 10461051                | 1990379              | 8200433                |
| 1993783  | 12    | 12    | 8/10  | SAE 3 |                         |                      | 8200433                |
| 1993785  | 12    | 13    | 8/10  | SAE 3 | 10461133                |                      |                        |
| 1993788  | 24    | 11    | 6/8   | SAE 3 | 10461141                | 1993788              | 8200330                |
| 1993795  | 12    | 12    | 8/10  | SAE 3 | 10461021 <sup>8</sup>   | 1993795              | 8200433 <sup>8</sup>   |
| 1993796  | 24    | 12    | 8/10  | SAE 3 | 10461025 <sup>8</sup>   | 1993796              | 8200435 <sup>8</sup>   |
| 1993797  | 24    | 12    | 8/10  | SAE 3 | 10461025                | 1990453              | 8200435                |
| 1993802  | 24    | 11    | 6/8   | SAE 3 |                         | 10479010             | 8200330 <sup>9</sup>   |
| 1993803  | 12    | 11    | 6/8   | SAE 3 |                         |                      | 8200308 <sup>9</sup>   |
| 1993804  | 24    | 12    | 8/10  | SAE 3 | 10461031 <sup>7</sup>   | 10479009             | 8200435 <sup>9</sup>   |
| 1993805  | 24    | 11    | 6/8   | SAE 3 |                         |                      | 8200330 <sup>9</sup>   |
| 1993806  | 12    | 12    | 8/10  | SAE 3 | 10461414 <sup>7</sup>   |                      | 8200433 <sup>9</sup>   |
| 1993808  | 24    | 12    | 8/10  | SAE 3 | 10461031 <sup>7</sup>   |                      | 8200435 <sup>9</sup>   |
| 1993810  | 24    | 11    | 6/8   | SAE 3 |                         |                      | 8200330 <sup>9</sup>   |
| 1993811  | 12    | 12    | 8/10  | SAE 3 | 10461051                | 10461051             | 8200433                |
| 1993812  | 24    | 12    | 8/10  | SAE 3 |                         |                      | 8200435 <sup>9</sup>   |
| 1993813  | 12    | 12    | 8/10  | SAE 3 |                         |                      | 8200433 <sup>9</sup>   |
| 1993814  | 24    | 12    | 8/10  | SAE 3 | 10461031 <sup>7</sup>   | 10479009             | 8200435 <sup>9</sup>   |
| 1993815  | 24    | 12    | 8/10  | SAE 3 | 10461031 <sup>7</sup>   | 10479009             | 8200435 <sup>9</sup>   |
| 1993816  | 12    | 11    | 6/8   | SAE 3 | 10461052                | 1990483              | 8200308                |
| 1993820  | 12    | 12    | 8/10  | SAE 3 | 10461021                | 1990379              | 8200433                |
| 1993822  | 24    | 12    | 8/10  | SAE 3 | 10461025                | 1990453 <sup>8</sup> | 8200435 <sup>8</sup>   |
| 1993823  | 12    | 11    | 6/8   | SAE 3 | 10461052                | 1990483              | 8200308                |
| 1993824  | 12    | 12    | 8/10  | SAE 3 | 10461329                |                      | 8200433 <sup>8</sup>   |
| 1993833  | 24    | 12    | 8/10  | SAE 3 | 10461025                | 1990453 <sup>8</sup> | 8200435 <sup>8</sup>   |
| 1993835  | 24    | 11    | 6/8   | SAE 3 |                         |                      | 8200330                |
| 1993842  | 24    | 11    | 6/8   | SAE 3 |                         | 10479010             | 8200330 <sup>9</sup>   |
| 1993848  | 12    | 12    | 8/10  | SAE 3 |                         |                      | 8200433                |
| 1993856  | 12    | 12    | 8/10  | SAE 3 |                         |                      | 8200433                |
| 1993863  | 12    | 12    | 8/10  | SAE 3 |                         |                      | 8200433                |
| 1993924  | 24    | 11    | 6/8   | SAE 3 | 10461068                | 1993924              | 8200330                |
| 1993925  | 12    | 12    | 8/10  | SAE 3 |                         |                      | 8200433                |
| 1993933  | 24    | 11    | 6/8   | SAE 3 |                         | 1993933 <sup>7</sup> | 8200330 <sup>9</sup>   |
| 1993934  | 12    | 11    | 6/8   | SAE 3 |                         |                      | 8200308 <sup>9</sup>   |
| 1993935  | 12    | 12    | 8/10  | SAE 3 | 10461414 <sup>7,8</sup> |                      | 8200433 <sup>8,9</sup> |
| 1993936  | 24    | 12    | 8/10  | SAE 3 | 10461031 <sup>7,8</sup> |                      | 8200435 <sup>8,9</sup> |
| 1993937  | 12    | 12    | 8/10  | SAE 3 | 10461414 <sup>7</sup>   |                      | 8200433 <sup>9</sup>   |
| 1993938  | 12    | 12    | 8/10  | SAE 3 | 10461414 <sup>7,8</sup> |                      | 8200433 <sup>8,9</sup> |

| Part No. | Volts | Teeth | Pitch | Mount | Replacement             |                       | Upgrade                |
|----------|-------|-------|-------|-------|-------------------------|-----------------------|------------------------|
|          |       |       |       |       | Reman                   | New                   | 39MT                   |
| 1993939  | 12    | 12    | 8/10  | SAE 3 | 10461414 <sup>7</sup>   |                       | 8200433 <sup>9</sup>   |
| 1993940  | 24    | 12    | 8/10  | SAE 3 | 10461025 <sup>7,8</sup> | 1993940 <sup>7</sup>  | 8200435 <sup>8,9</sup> |
| 1993941  | 24    | 11    | 6/8   | SAE 3 |                         | 10479010 <sup>7</sup> | 8200330 <sup>9</sup>   |
| 1993942  | 12    | 12    | 8/10  | SAE 3 | 10461414 <sup>7</sup>   |                       |                        |
| 1993943  | 12    | 12    | 8/10  | SAE 3 | 10461414 <sup>7,8</sup> |                       | 8200433 <sup>8,9</sup> |
| 1993945  | 24    | 12    | 8/10  | SAE 3 |                         |                       | 8200435 <sup>8,9</sup> |
| 1993973  | 12    | 12    | 8/10  | SAE 3 | 10461078                |                       | 8200433                |
| 1993977  | 12    | 11    | 6/8   | SAE 3 |                         |                       | 8200308 <sup>9</sup>   |
| 1993982  | 12    | 11    | 6/8   | SAE 3 |                         |                       | 8200308 <sup>9</sup>   |
| 1993983  | 12    | 12    | 8/10  | SAE 3 | 10461414                |                       | 8200433 <sup>9</sup>   |
| 1993987  | 24    | 11    | 6/8   | SAE 3 | 8300036                 | 10479130              | 8200330                |
| 1993993  | 24    | 12    | 8/10  | SAE 3 | 10461025 <sup>8</sup>   | 1993796               | 8200435 <sup>8</sup>   |
| 1993998  | 24    | 11    | 6/8   | SAE 3 |                         |                       | 8200330                |
| 8200068  | 24    | 12    | 8/10  | SAE 3 |                         | 8200068               | 8200435 <sup>8</sup>   |
| 8200089  | 24    | 12    | 8/10  | SAE 3 |                         | 8200089               |                        |
| 8200110  | 12    | 11    | 6/8   | SAE 3 |                         |                       | 8200308                |
| 8200115  | 12    | 12    | MOD 3 | SAE 3 | 8300037                 |                       |                        |
| 8200116  | 12    | 12    | MOD 3 | SAE 3 | 8300037                 |                       |                        |
| 8200117  | 12    | 11    | 6/8   | SAE 3 |                         |                       | 8200308                |
| 8200122  | 12    | 11    | 6/8   | SAE 3 |                         |                       | 8200308                |
| 8200163  | 12    | 11    | 6/8   | SAE 3 |                         |                       | 8200308                |
| 8200164  | 12    | 11    | 6/8   | SAE 3 |                         |                       | 8200308                |
| 8200165  | 12    | 11    | 6/8   | SAE 3 |                         |                       | 8200308                |
| 8200168  | 12    | 11    | 6/8   | SAE 3 |                         |                       | 8200308                |
| 8200212  | 12    | 12    | 8/10  | SAE 3 |                         |                       | 8200433 <sup>8</sup>   |
| 8200215  | 12    | 11    | 6/8   | SAE 3 |                         |                       | 8200308 <sup>9</sup>   |
| 8200247  | 12    | 11    | 6/8   | SAE 3 | 8300079                 |                       | 8200308                |
| 8200248  | 12    | 11    | 6/8   | SAE 3 | 8300079                 |                       | 8200308                |
| 8200253  | 12    | 12    | 8/10  | SAE 3 | 8300078                 |                       | 8200433 <sup>8</sup>   |
| 8200312  | 12    | 11    | 6/8   | SAE 3 | 8300079                 |                       | 8200308                |
| 8200313  | 12    | 11    | 6/8   | SAE 3 | 8300080                 |                       | 8200308                |
| 8200396  | 24    | 11    | 6/8   | SAE 3 | 10461068                | 8200396               | 8200330                |
| 8200517  | 24    | 12    | 8/10  | SAE 3 |                         | 8200517               |                        |
| 8200529  | 24    | 12    | 8/10  | SAE 3 |                         | 8200529               |                        |
| 8300000  | 12    | 11    | 6/8   | SAE 3 | 10461052                | 1990483               |                        |
| 8300001  | 12    | 11    | 6/8   | SAE 3 | 10461053                | 1990490               | 8200308                |
| 8300002  | 12    | 11    | 6/8   | SAE 3 | 10461055                | 1990355               | 8200308                |
| 8300031  | 12    | 11    | 6/8   | SAE 3 |                         |                       | 8200308                |
| 8300032  | 12    | 11    | 6/8   | SAE 3 |                         |                       | 8200308                |
| 8300033  | 12    | 11    | 6/8   | SAE 3 |                         |                       | 8200308                |
| 8300034  | 12    | 11    | 6/8   | SAE 3 |                         |                       | 8200308                |
| 8300035  | 12    | 11    | 6/8   | SAE 3 | 8300035                 |                       |                        |
| 8300036  | 24    | 11    | 6/8   | SAE 3 | 8300036                 | 10479130              | 8200330                |
| 8300037  | 12    | 12    | MOD 3 | SAE 3 | 8300037                 | 10479282              |                        |
| 8300047  | 12    | 11    | 6/8   | SAE 3 | 10461055                | 1990484               | 8200308                |

| Part No. | Volts | Teeth | Pitch | Mount | Replacement           |                      | Upgrade              |
|----------|-------|-------|-------|-------|-----------------------|----------------------|----------------------|
|          |       |       |       |       | Reman                 | New                  | 39MT                 |
| 8300048  | 12    | 11    | 6/8   | SAE 3 | 10461053              | 1990490              | 8200308              |
| 8300049  | 12    | 12    | 8/10  | SAE 3 | 10461414 <sup>7</sup> |                      | 8200433 <sup>9</sup> |
| 8300050  | 24    | 12    | 8/10  | SAE 3 |                       |                      | 8200435 <sup>9</sup> |
| 8300051  | 12    | 11    | 6/8   | SAE 3 | 10461055              | 1990484              | 8200308              |
| 8300052  | 12    | 11    | 6/8   | SAE 3 |                       |                      | 8200308              |
| 8300078  | 12    | 12    | 8/10  | SAE 3 | 8300078               |                      | 8200433 <sup>8</sup> |
| 8300079  | 12    | 11    | 6/8   | SAE 3 | 8300079               |                      | 8200308              |
| 8300080  | 12    | 11    | 6/8   | SAE 3 | 8300080               |                      | 8200308              |
| 10461020 | 12    | 11    | 6/8   | SAE 3 |                       |                      | 8200308              |
| 10461021 | 12    | 12    | 8/10  | SAE 3 | 10461021              | 1990379              | 8200433              |
| 10461022 | 12    | 13    | 8/10  | SAE 3 | 10461133              |                      |                      |
| 10461024 | 24    | 11    | 6/8   | SAE 3 | 10461068              | 10478998             | 8200330              |
| 10461025 | 24    | 12    | 8/10  | SAE 3 | 10461025 <sup>7</sup> | 1993796 <sup>7</sup> | 8200435 <sup>9</sup> |
| 10461027 | 24    | 11    | 6/8   | SAE 3 |                       | 1990447              |                      |
| 10461028 | 12    | 11    | 6/8   | SAE 3 | 10461055              | 1990484              | 8200308              |
| 10461030 | 24    | 11    | 6/8   | SAE 3 |                       |                      | 8200330 <sup>9</sup> |
| 10461031 | 24    | 12    | 8/10  | SAE 3 | 10461031              | 10479009             | 8200435              |
| 10461032 | 12    | 12    | 8/10  | SAE 3 | 10461414 <sup>7</sup> |                      | 8200433 <sup>9</sup> |
| 10461033 | 12    | 11    | 6/8   | SAE 3 |                       | 10478832             | 8200308 <sup>9</sup> |
| 10461034 | 12    | 12    | 8/10  | SAE 3 | 10461051              | 1990379              | 8200433              |
| 10461035 | 24    | 12    | 8/10  | SAE 3 |                       |                      | 8200435 <sup>9</sup> |
| 10461036 | 12    | 12    | 8/10  | SAE 3 |                       |                      | 8200433 <sup>9</sup> |
| 10461038 | 12    | 11    | 6/8   | SAE 3 | 10461052              | 1990483              | 8200308              |
| 10461042 | 12    | 11    | 6/8   | SAE 3 | 10461053              | 1990490              | 8200308              |
| 10461043 | 24    | 11    | 6/8   | SAE 3 | 10461054              | 10478998             | 8200330              |
| 10461050 | 12    | 12    | 8/10  | SAE 3 | 10461050              |                      | 8200433              |
| 10461051 | 12    | 12    | 8/10  | SAE 3 | 10461051              | 1990379              | 8200433              |
| 10461052 | 12    | 11    | 6/8   | SAE 3 | 10461052              | 1990483              | 8200308              |
| 10461053 | 12    | 11    | 6/8   | SAE 3 | 10461053              | 1990490              | 8200308              |
| 10461054 | 24    | 11    | 6/8   | SAE 3 | 10461054              | 10478998             | 8200330              |
| 10461055 | 12    | 11    | 6/8   | SAE 3 | 10461055              | 1990484              | 8200308              |
| 10461062 | 12    | 11    | 6/8   | SAE 3 | 10461075              | 1990489              | 8200308              |
| 10461063 | 12    | 12    | 8/10  | SAE 3 |                       | 1990406              | 8200433              |
| 10461064 | 12    | 12    | 8/10  | SAE 3 |                       |                      | 8200433              |
| 10461065 | 12    | 12    | 8/10  | SAE 3 |                       |                      | 8200433              |
| 10461068 | 24    | 11    | 6/8   | SAE 3 | 10461068              | 10478998             | 8200330              |
| 10461075 | 12    | 11    | 6/8   | SAE 3 | 10461075              |                      | 8200308              |
| 10461076 | 12    | 12    | 8/10  | SAE 3 | 10461077              |                      | 8200433              |
| 10461077 | 12    | 12    | 8/10  | SAE 3 | 10461077              |                      | 8200433              |
| 10461078 | 12    | 12    | 8/10  | SAE 3 | 10461078              |                      | 8200433              |
| 10461079 | 12    | 12    | 8/10  | SAE 3 |                       |                      | 8200433              |
| 10461080 | 24    | 11    | 6/8   | SAE 3 | 10461141              | 1993788              | 8200330              |
| 10461090 | 12    | 12    | 8/10  | SAE 3 | 10461077              |                      | 8200433              |
| 10461091 | 12    | 12    | 8/10  | SAE 3 | 10461077              |                      | 8200433              |
| 10461096 | 12    | 11    | 6/8   | SAE 3 | 10461096              | 1990484              | 8200308              |

# Delco Remy Starters

**42MT**

| Part No. | Volts | Teeth | Pitch | Mount | Replacement           |                      | Upgrade              |
|----------|-------|-------|-------|-------|-----------------------|----------------------|----------------------|
|          |       |       |       |       | Reman                 | New                  | 39MT                 |
| 10461101 | 24    | 12    | 8/10  | SAE 3 |                       |                      | 8200435              |
| 10461102 | 24    | 11    | 6/8   | SAE 3 |                       |                      | 8200330              |
| 10461103 | 24    | 12    | 8/10  | SAE 3 |                       |                      | 8200435              |
| 10461126 | 12    | 11    | 6/8   | SAE 3 | 10461052              | 1990483              | 8200308              |
| 10461127 | 12    | 11    | 6/8   | SAE 3 | 10461053              | 1990490              | 8200308              |
| 10461128 | 24    | 11    | 6/8   | SAE 3 | 10461068              | 10478998             | 8200330              |
| 10461133 | 12    | 13    | 8/10  | SAE 3 | 10461133              |                      |                      |
| 10461134 | 24    | 11    | 6/8   | SAE 3 | 1990447               | 1990447              |                      |
| 10461136 | 24    | 12    | 8/10  | SAE 3 | 10461025              | 1990453 <sup>8</sup> | 8200435 <sup>8</sup> |
| 10461141 | 24    | 11    | 6/8   | SAE 3 | 10461141              | 1993788              | 8200330              |
| 10461142 | 24    | 12    | 8/10  | SAE 3 | 10461031 <sup>7</sup> | 10479009             | 8200435 <sup>9</sup> |
| 10461145 | 12    | 12    | 8/10  | SAE 3 | 10461414 <sup>7</sup> |                      | 8200433 <sup>9</sup> |
| 10461146 | 12    | 12    | 8/10  | SAE 3 |                       | 1990379              | 8200433              |
| 10461147 | 12    | 11    | 6/8   | SAE 3 |                       |                      | 8200308 <sup>9</sup> |
| 10461148 | 24    | 12    | 8/10  | SAE 3 |                       |                      | 8200435 <sup>9</sup> |
| 10461149 | 12    | 12    | 8/10  | SAE 3 |                       |                      | 8200433 <sup>9</sup> |
| 10461151 | 12    | 12    | 8/10  | SAE 3 |                       |                      | 8200433              |
| 10461162 | 12    | 12    | 8/10  | SAE 3 |                       |                      | 8200433 <sup>8</sup> |
| 10461163 | 12    | 12    | 8/10  | SAE 3 |                       |                      | 8200433              |
| 10461164 | 12    | 11    | 6/8   | SAE 3 | 10461164              |                      | 8200308 <sup>8</sup> |
| 10461165 | 12    | 11    | 6/8   | SAE 3 | 10461165              |                      | 8200308              |
| 10461166 | 12    | 12    | 8/10  | SAE 3 |                       |                      | 8200433              |
| 10461172 | 12    | 12    | 8/10  | SAE 3 | 10461078              |                      | 8200433              |
| 10461183 | 12    | 11    | 6/8   | SAE 3 | 10461055              | 1990484              | 8200308              |
| 10461184 | 24    | 11    | 6/8   | SAE 3 | 10461054              | 10478998             | 8200330              |
| 10461185 | 12    | 11    | 6/8   | SAE 3 | 10461075              |                      | 8200308              |
| 10461186 | 24    | 12    | 8/10  | SAE 3 |                       |                      | 8200435              |
| 10461193 | 24    | 11    | 6/8   | SAE 3 |                       | 1990447              |                      |
| 10461194 | 12    | 13    | 8/10  | SAE 3 | 10461133              |                      |                      |
| 10461206 | 12    | 12    | 8/10  | SAE 3 | 10461233              | 1990406              | 8200433 <sup>8</sup> |
| 10461211 | 12    | 12    | 8/10  | SAE 3 | 10461078              |                      | 8200433              |
| 10461212 | 12    | 12    | 8/10  | SAE 3 |                       |                      | 8200433              |
| 10461213 | 12    | 11    | 6/8   | SAE 3 | 10461165              |                      | 8200308              |
| 10461214 | 12    | 11    | 6/8   | SAE 3 | 10461164              |                      | 8200308              |
| 10461215 | 12    | 12    | 8/10  | SAE 3 |                       |                      | 8200433 <sup>8</sup> |
| 10461216 | 12    | 12    | 8/10  | SAE 3 |                       |                      | 8200433 <sup>8</sup> |
| 10461217 | 24    | 11    | 6/8   | SAE 3 |                       | 1990447              |                      |
| 10461218 | 12    | 11    | 6/8   | SAE 3 |                       |                      | 8200308              |
| 10461219 | 12    | 11    | 6/8   | SAE 3 |                       |                      | 8200308              |
| 10461222 | 24    | 11    | 6/8   | SAE 3 |                       |                      | 8200330              |
| 10461228 | 12    | 12    | 8/10  | SAE 3 | 10461078              |                      | 8200433              |
| 10461232 | 12    | 11    | 6/8   | SAE 3 | 10461096              | 1990484              | 8200308              |
| 10461233 | 12    | 12    | 8/10  | SAE 3 | 10461233              | 1990406              | 8200433 <sup>8</sup> |
| 10461241 | 12    | 12    | 8/10  | SAE 3 | 10461021 <sup>8</sup> | 1990379 <sup>8</sup> | 8200433 <sup>8</sup> |
| 10461242 | 24    | 12    | 8/10  | SAE 3 | 10461025 <sup>8</sup> | 1990402 <sup>8</sup> | 8200435 <sup>8</sup> |

**Starters**



| Part No. | Volts | Teeth | Pitch | Mount | Replacement             |                       | Upgrade                |
|----------|-------|-------|-------|-------|-------------------------|-----------------------|------------------------|
|          |       |       |       |       | Reman                   | New                   | 39MT                   |
| 10461259 | 24    | 11    | 6/8   | SAE 3 | 10461068                | 10478998              | 8200330                |
| 10461260 | 24    | 12    | 8/10  | SAE 3 | 10461025 <sup>8</sup>   | 1990413               | 8200435 <sup>8</sup>   |
| 10461265 | 12    | 12    | 8/10  | SAE 3 | 10461265                |                       | 8200433 <sup>8</sup>   |
| 10461266 | 12    | 12    | 8/10  | SAE 3 | 10461329                |                       | 8200433 <sup>8</sup>   |
| 10461267 | 12    | 11    | 6/8   | SAE 3 | 10461267                |                       | 8200308                |
| 10461268 | 12    | 11    | 6/8   | SAE 3 |                         |                       | 8200308                |
| 10461269 | 12    | 12    | 8/10  | SAE 3 |                         |                       | 8200433                |
| 10461270 | 12    | 12    | 8/10  | SAE 3 | 10461078                |                       | 8200433                |
| 10461271 | 12    | 11    | 6/8   | SAE 3 |                         | 1990490               | 8200308                |
| 10461272 | 12    | 11    | 6/8   | SAE 3 |                         |                       | 8200308                |
| 10461323 | 12    | 12    | 8/10  | SAE 3 |                         |                       | 8200433                |
| 10461324 | 12    | 12    | 8/10  | SAE 3 |                         |                       | 8200433                |
| 10461326 | 12    | 11    | 6/8   | SAE 3 |                         | 10478832 <sup>7</sup> | 8200308 <sup>9</sup>   |
| 10461327 | 12    | 11    | 6/8   | SAE 3 |                         | 10478832              | 8200308 <sup>9</sup>   |
| 10461328 | 12    | 12    | 8/10  | SAE 3 | 10461328                | 1990379 <sup>8</sup>  | 8200433 <sup>8</sup>   |
| 10461329 | 12    | 12    | 8/10  | SAE 3 | 10461329                | 10479192              | 8200433 <sup>8</sup>   |
| 10461331 | 12    | 12    | 8/10  | SAE 3 |                         |                       | 8200433                |
| 10461332 | 12    | 12    | 8/10  | SAE 3 |                         |                       | 8200433                |
| 10461338 | 24    | 12    | 8/10  | SAE 3 |                         |                       | 8200435                |
| 10461339 | 24    | 12    | 8/10  | SAE 3 |                         |                       | 8200435                |
| 10461341 | 24    | 12    | 8/10  | SAE 3 |                         |                       | 8200435                |
| 10461345 | 24    | 12    | 8/10  | SAE 3 |                         |                       | 8200435                |
| 10461350 | 24    | 11    | 6/8   | SAE 3 |                         |                       | 8200330                |
| 10461353 | 24    | 11    | 6/8   | SAE 3 |                         |                       | 8200330                |
| 10461357 | 24    | 12    | 8/10  | SAE 3 | 10461031 <sup>7</sup>   | 10479009              | 8200435 <sup>9</sup>   |
| 10461358 | 24    | 12    | 8/10  | SAE 3 | 10461031 <sup>7</sup>   | 10479009              | 8200435 <sup>9</sup>   |
| 10461359 | 24    | 11    | 6/8   | SAE 3 |                         | 10479010              | 8200330 <sup>9</sup>   |
| 10461360 | 24    | 11    | 6/8   | SAE 3 |                         | 10479010              | 8200330 <sup>9</sup>   |
| 10461362 | 24    | 11    | 6/8   | SAE 3 | 10461141 <sup>5</sup>   | 1993788 <sup>5</sup>  | 8200330                |
| 10461365 | 24    | 11    | 6/8   | SAE 3 | 10461068 <sup>5</sup>   | 10478998              | 8200330                |
| 10461392 | 12    | 11    | 6/8   | SAE 3 | 10461052 <sup>5</sup>   |                       | 8200308 <sup>5</sup>   |
| 10461393 | 12    | 11    | 6/8   | SAE 3 |                         |                       | 8200308 <sup>9</sup>   |
| 10461397 | 24    | 12    | 8/10  | SAE 3 |                         |                       | 8200435 <sup>9</sup>   |
| 10461398 | 12    | 12    | 8/10  | SAE 3 | 10461414 <sup>7</sup>   |                       | 8200433 <sup>9</sup>   |
| 10461410 | 24    | 11    | 6/8   | SAE 3 |                         |                       | 8200330 <sup>5,9</sup> |
| 10461411 | 12    | 11    | 6/8   | SAE 3 |                         |                       | 8200308 <sup>9</sup>   |
| 10461413 | 24    | 12    | 8/10  | SAE 3 |                         |                       | 8200435 <sup>9</sup>   |
| 10461414 | 12    | 12    | 8/10  | SAE 3 | 10461414 <sup>7</sup>   |                       | 8200433 <sup>9</sup>   |
| 10461415 | 12    | 11    | 6/8   | SAE 3 | 10461052 <sup>5</sup>   |                       | 8200308 <sup>5</sup>   |
| 10461418 | 24    | 12    | 8/10  | SAE 3 |                         | 10479213              | 8200435 <sup>8</sup>   |
| 10461419 | 24    | 12    | 8/10  | SAE 3 | 10461025 <sup>5,8</sup> | 10479213              | 8200435 <sup>8</sup>   |
| 10461420 | 24    | 12    | 8/10  | SAE 3 | 10461025 <sup>5,8</sup> | 10479213              | 8200435 <sup>8</sup>   |
| 10461488 | 24    | 12    | 8/10  | SAE 3 |                         |                       | 8200435                |
| 10461495 | 24    | 11    | 6/8   | SAE 3 | 10461141                |                       | 8200330                |
| 10461501 | 12    | 12    | 8/10  | SAE 3 | 10461050 <sup>8</sup>   | 1990406               | 8200433 <sup>8</sup>   |

# Delco Remy Starters

**42MT**

| Part No. | Volts | Teeth | Pitch | Mount | Replacement           |                       | Upgrade              |
|----------|-------|-------|-------|-------|-----------------------|-----------------------|----------------------|
|          |       |       |       |       | Reman                 | New                   | 39MT                 |
| 10461509 | 12    | 12    | 8/10  | SAE 3 |                       |                       | 8200433 <sup>8</sup> |
| 10461511 | 12    | 11    | 6/8   | SAE 3 | 10461055              | 1990484               | 8200308              |
| 10461512 | 12    | 11    | 6/8   | SAE 3 | 10461096              | 1990484               | 8200308              |
| 10461513 | 12    | 11    | 6/8   | SAE 3 | 10461075              |                       | 8200308              |
| 10461592 | 12    | 11    | 6/8   | SAE 3 | 10461592              |                       |                      |
| 10461778 | 12    | 11    | 6/8   | SAE 3 | 10461778              |                       |                      |
| 10462155 | 12    | 11    | 6/8   | SAE 3 | 10461055              |                       | 8200308              |
| 10462175 | 12    | 11    | 6/8   | SAE 3 | 10461075              |                       | 8200308              |
| 10462196 | 12    | 11    | 6/8   | SAE 3 | 10461096              | 1990484               | 8200308              |
| 10478809 | 12    | 11    | 6/8   | SAE 3 | 10461778              |                       |                      |
| 10478810 | 12    | 11    | 6/8   | SAE 3 | 10461592              |                       |                      |
| 10478832 | 12    | 11    | 6/8   | SAE 3 |                       | 10478832 <sup>7</sup> | 8200308 <sup>9</sup> |
| 10478833 | 12    | 11    | 6/8   | SAE 3 |                       |                       | 8200308 <sup>9</sup> |
| 10478837 | 24    | 11    | 6/8   | SAE 3 |                       |                       | 8200330              |
| 10478841 | 24    | 12    | 8/10  | SAE 3 |                       |                       | 8200435              |
| 10478842 | 24    | 12    | 8/10  | SAE 3 |                       |                       | 8200435              |
| 10478893 | 24    | 11    | 6/8   | SAE 3 |                       |                       | 8200330              |
| 10478894 | 12    | 11    | 6/8   | SAE 3 | 10461052              | 10478895              | 8200308              |
| 10478895 | 12    | 11    | 6/8   | SAE 3 | 10461052              | 10478895              | 8200308              |
| 10478918 | 12    | 12    | 8/10  | SAE 3 | 10461051              | 1990379               | 8200433              |
| 10478931 | 12    | 12    | 8/10  | SAE 3 | 10461414 <sup>7</sup> |                       | 8200433 <sup>9</sup> |
| 10478932 | 12    | 11    | 6/8   | SAE 3 |                       |                       | 8200308 <sup>9</sup> |
| 10478933 | 12    | 12    | 8/10  | SAE 3 |                       |                       | 8200433 <sup>9</sup> |
| 10478934 | 12    | 12    | 8/10  | SAE 3 | 10461414 <sup>7</sup> |                       | 8200433 <sup>9</sup> |
| 10478935 | 12    | 11    | 6/8   | SAE 3 |                       | 10478832 <sup>7</sup> | 8200308 <sup>9</sup> |
| 10478936 | 12    | 12    | 8/10  | SAE 3 | 10461414 <sup>7</sup> |                       | 8200433 <sup>9</sup> |
| 10478937 | 24    | 11    | 6/8   | SAE 3 |                       | 10479010              | 8200330 <sup>9</sup> |
| 10478938 | 24    | 11    | 6/8   | SAE 3 |                       | 10479010              |                      |
| 10478939 | 24    | 12    | 8/10  | SAE 3 | 10461031 <sup>7</sup> | 10479009              | 8200435 <sup>9</sup> |
| 10478940 | 24    | 12    | 8/10  | SAE 3 |                       |                       | 8200435 <sup>9</sup> |
| 10478941 | 24    | 12    | 8/10  | SAE 3 | 10461031 <sup>7</sup> | 10479009              | 8200435 <sup>9</sup> |
| 10478942 | 24    | 12    | 8/10  | SAE 3 | 10461031 <sup>7</sup> | 10479009              | 8200435 <sup>9</sup> |
| 10478943 | 24    | 11    | 6/8   | SAE 3 |                       | 10479010              |                      |
| 10478944 | 24    | 12    | 8/10  | SAE 3 | 10461031 <sup>7</sup> | 10479009              | 8200435 <sup>9</sup> |
| 10478946 | 24    | 11    | 6/8   | SAE 3 |                       | 10479010              | 8200330 <sup>9</sup> |
| 10478947 | 24    | 12    | 8/10  | SAE 3 | 10461031 <sup>7</sup> | 10479009              | 8200435 <sup>9</sup> |
| 10478948 | 24    | 12    | 8/10  | SAE 1 |                       | 8200957               |                      |
| 10478951 | 12    | 11    | 6/8   | SAE 3 |                       |                       | 8200308 <sup>9</sup> |
| 10478952 | 24    | 11    | 6/8   | SAE 3 |                       | 10479010              | 8200330 <sup>9</sup> |
| 10478959 | 24    | 12    | 8/10  | SAE 3 |                       |                       | 8200435              |
| 10478962 | 12    | 12    | 8/10  | SAE 3 |                       | 1990379               | 8200433              |
| 10478963 | 12    | 11    | 6/8   | SAE 3 | 10461052              | 1990483               | 8200308              |
| 10478964 | 12    | 11    | 6/8   | SAE 3 | 10461055              | 1990484               | 8200308              |
| 10478965 | 12    | 12    | 8/10  | SAE 3 |                       |                       | 8200433              |
| 10478966 | 12    | 12    | 8/10  | SAE 3 |                       |                       | 8200433              |

**Starters**

| Part No. | Volts | Teeth | Pitch | Mount | Replacement             |                       | Upgrade                |
|----------|-------|-------|-------|-------|-------------------------|-----------------------|------------------------|
|          |       |       |       |       | Reman                   | New                   | 39MT                   |
| 10478967 | 12    | 12    | 8/10  | SAE 3 |                         |                       | 8200433                |
| 10478974 | 24    | 12    | 8/10  | SAE 3 |                         |                       | 8200435                |
| 10478977 | 12    | 12    | 8/10  | SAE 3 | 10461051                | 1990379               | 8200433                |
| 10478980 | 24    | 11    | 6/8   | SAE 3 | 10461068                | 10478998              | 8200330                |
| 10478981 | 24    | 11    | 6/8   | SAE 3 |                         | 1990447               |                        |
| 10478983 | 12    | 11    | 6/8   | SAE 3 | 10461778                |                       |                        |
| 10478984 | 12    | 12    | 8/10  | SAE 3 | 10461050                | 1990379               | 8200433                |
| 10478985 | 12    | 13    | 8/10  | SAE 3 | 10461133                |                       |                        |
| 10478986 | 24    | 11    | 6/8   | SAE 3 | 10461068                | 10478998              | 8200330                |
| 10478987 | 12    | 11    | 6/8   | SAE 3 |                         |                       | 8200308 <sup>9</sup>   |
| 10478988 | 24    | 11    | 6/8   | SAE 3 |                         | 10479010              | 8200330 <sup>9</sup>   |
| 10478989 | 24    | 12    | 8/10  | SAE 3 | 10461031                | 10479009              | 8200435                |
| 10478990 | 24    | 11    | 6/8   | SAE 3 | 10461068                | 10478998              | 8200330                |
| 10478991 | 12    | 11    | 6/8   | SAE 3 |                         | 1990483               | 8200308                |
| 10478992 | 12    | 12    | 8/10  | SAE 3 | 10461050 <sup>8</sup>   | 1990379 <sup>8</sup>  | 8200433 <sup>8</sup>   |
| 10478996 | 24    | 11    | 6/8   | SAE 3 | 10461068                | 10478998              | 8200330                |
| 10478998 | 24    | 11    | 6/8   | SAE 3 | 10461068                | 10478998              | 8200330                |
| 10479003 | 12    | 12    | 8/10  | SAE 3 | 10461051                | 1990379               | 8200433                |
| 10479004 | 12    | 12    | 8/10  | SAE 3 | 10461414 <sup>7</sup>   |                       | 8200433 <sup>9</sup>   |
| 10479005 | 12    | 12    | 8/10  | SAE 3 |                         |                       | 8200433 <sup>9</sup>   |
| 10479006 | 12    | 11    | 6/8   | SAE 3 |                         | 10478832 <sup>7</sup> | 8200308 <sup>9</sup>   |
| 10479008 | 24    | 12    | 8/10  | SAE 3 |                         |                       | 8200435 <sup>9</sup>   |
| 10479009 | 24    | 12    | 8/10  | SAE 3 | 10461031                | 10479009 <sup>7</sup> | 8200435 <sup>9</sup>   |
| 10479010 | 24    | 11    | 6/8   | SAE 3 |                         | 10479010 <sup>7</sup> | 8200330 <sup>9</sup>   |
| 10479017 | 12    | 11    | 6/8   | SAE 3 |                         |                       | 8200308 <sup>9</sup>   |
| 10479018 | 12    | 12    | 8/10  | SAE 3 |                         |                       | 8200433                |
| 10479019 | 12    | 12    | 8/10  | SAE 3 |                         |                       | 8200433                |
| 10479021 | 12    | 11    | 6/8   | SAE 3 | 10461052 <sup>5</sup>   |                       | 8200308 <sup>5</sup>   |
| 10479022 | 24    | 11    | 6/8   | SAE 3 | 10461068 <sup>5</sup>   | 10478998 <sup>5</sup> | 8200330                |
| 10479026 | 12    | 12    | 8/10  | SAE 3 |                         |                       | 8200433 <sup>8</sup>   |
| 10479027 | 12    | 12    | 8/10  | SAE 3 |                         |                       | 8200433 <sup>8</sup>   |
| 10479028 | 12    | 11    | 6/8   | SAE 3 | 10461164                |                       | 8200308                |
| 10479030 | 12    | 11    | 6/8   | SAE 3 | 10461165                |                       | 8200308                |
| 10479040 | 12    | 12    | 8/10  | SAE 3 |                         |                       | 8200433                |
| 10479041 | 12    | 12    | 8/10  | SAE 3 | 10461078                |                       | 8200433                |
| 10479049 | 12    | 11    | 6/8   | SAE 3 |                         |                       | 8200308                |
| 10479052 | 12    | 12    | 8/10  | SAE 3 | 10461414 <sup>7,8</sup> |                       | 8200433 <sup>8,9</sup> |
| 10479053 | 24    | 12    | 8/10  | SAE 3 | 10461025 <sup>7,8</sup> |                       | 8200435 <sup>8,9</sup> |
| 10479062 | 12    | 11    | 6/8   | SAE 3 | 8300035                 | 10479151              |                        |
| 10479063 | 12    | 12    | 8/10  | SAE 3 | 10461077                |                       | 8200433                |
| 10479064 | 12    | 12    | 8/10  | SAE 3 | 10461078                |                       | 8200433                |
| 10479067 | 24    | 11    | 6/8   | SAE 3 | 10461141 <sup>5</sup>   | 10479067              | 8200330                |
| 10479072 | 12    | 11    | 6/8   | SAE 3 | 10461052                | 10479072              | 8200308                |
| 10479081 | 12    | 11    | 6/8   | SAE 3 | 10461778                |                       |                        |
| 10479091 | 12    | 12    | 8/10  | SAE 3 | 10461050 <sup>8</sup>   |                       | 8200433 <sup>8</sup>   |

# Delco Remy Starters

**42MT**

| Part No. | Volts | Teeth | Pitch | Mount | Replacement             |                       | Upgrade                |
|----------|-------|-------|-------|-------|-------------------------|-----------------------|------------------------|
|          |       |       |       |       | Reman                   | New                   | 39MT                   |
| 10479092 | 12    | 12    | 8/10  | SAE 3 |                         |                       | 8200433 <sup>8</sup>   |
| 10479096 | 24    | 12    | 8/10  | SAE 3 |                         |                       | 8200435                |
| 10479104 | 12    | 11    | 6/8   | SAE 3 |                         | 1990490               | 8200308                |
| 10479105 | 12    | 11    | 6/8   | SAE 3 |                         |                       | 8200308                |
| 10479110 | 12    | 11    | 6/8   | SAE 3 |                         | 1990483               | 8200308                |
| 10479111 | 24    | 11    | 6/8   | SAE 3 | 10461068                | 8200396               | 8200330                |
| 10479112 | 12    | 11    | 6/8   | SAE 3 | 10461055                | 1990355               | 8200308                |
| 10479113 | 12    | 11    | 6/8   | SAE 3 | 10461052                | 1990483               | 8200308                |
| 10479114 | 24    | 11    | 6/8   | SAE 3 | 10461068                | 8200396               | 8200330                |
| 10479115 | 24    | 12    | 8/10  | SAE 3 | 10461025 <sup>8</sup>   | 1990413               | 8200435 <sup>8</sup>   |
| 10479116 | 12    | 11    | 6/8   | SAE 3 | 10461055                | 1990484               | 8200308                |
| 10479117 | 12    | 12    | 8/10  | SAE 3 | 10461021 <sup>8</sup>   | 1993795               | 8200433 <sup>8</sup>   |
| 10479118 | 24    | 12    | 8/10  | SAE 3 | 10461025 <sup>8</sup>   | 1993796               | 8200435 <sup>8</sup>   |
| 10479119 | 24    | 11    | 6/8   | SAE 3 |                         |                       | 8200330                |
| 10479120 | 24    | 12    | 8/10  | SAE 3 | 10461031 <sup>7,8</sup> |                       | 8200435 <sup>8,9</sup> |
| 10479130 | 24    | 11    | 6/8   | SAE 3 | 8300036                 | 10479130              | 8200330                |
| 10479131 | 12    | 12    | 8/10  | SAE 3 | 10461329                |                       | 8200433 <sup>8</sup>   |
| 10479132 | 24    | 11    | 6/8   | SAE 3 | 8300036                 | 10479132              | 8200330                |
| 10479136 | 24    | 12    | 8/10  | SAE 3 | 10461031 <sup>7,8</sup> | 10479009 <sup>8</sup> | 8200435 <sup>8,9</sup> |
| 10479142 | 24    | 11    | 6/8   | SAE 3 | 10461141 <sup>5</sup>   | 10479067              | 8200330                |
| 10479146 | 12    | 12    | 8/10  | SAE 3 | 10461329                |                       | 8200433 <sup>8</sup>   |
| 10479147 | 12    | 12    | 8/10  | SAE 3 | 10461329                |                       | 8200433 <sup>8</sup>   |
| 10479149 | 24    | 11    | 6/8   | SAE 3 |                         | 10479010              | 8200330 <sup>9</sup>   |
| 10479150 | 12    | 11    | 6/8   | SAE 3 | 10461778                |                       |                        |
| 10479151 | 12    | 11    | 6/8   | SAE 3 | 8300035                 |                       |                        |
| 10479154 | 12    | 12    | 8/10  | SAE 3 | 10461265                |                       | 8200433 <sup>8</sup>   |
| 10479155 | 12    | 12    | 8/10  | SAE 3 | 10461329                |                       | 8200433 <sup>8</sup>   |
| 10479156 | 12    | 11    | 6/8   | SAE 3 | 10461267                |                       | 8200308                |
| 10479157 | 12    | 11    | 6/8   | SAE 3 |                         |                       | 8200308                |
| 10479158 | 12    | 12    | 8/10  | SAE 3 |                         |                       | 8200433                |
| 10479159 | 12    | 12    | 8/10  | SAE 3 | 10461078                |                       | 8200433                |
| 10479160 | 12    | 11    | 6/8   | SAE 3 |                         | 1990490               | 8200308                |
| 10479161 | 12    | 11    | 6/8   | SAE 3 |                         |                       | 8200308                |
| 10479162 | 12    | 12    | 8/10  | SAE 3 | 10461050 <sup>8</sup>   |                       | 8200433 <sup>8</sup>   |
| 10479163 | 12    | 12    | 8/10  | SAE 3 |                         |                       | 8200433 <sup>8</sup>   |
| 10479164 | 24    | 11    | 6/8   | SAE 3 | 10461068                | 10478998              | 8200330                |
| 10479168 | 24    | 11    | 6/8   | SAE 3 |                         | 10479010 <sup>5</sup> | 8200330 <sup>5,9</sup> |
| 10479171 | 24    | 11    | 6/8   | SAE 3 | 10461068                | 1990418               | 8200330                |
| 10479178 | 24    | 12    | 8/10  | SAE 3 |                         | 10479009 <sup>8</sup> | 8200435 <sup>8,9</sup> |
| 10479182 | 24    | 12    | 8/10  | SAE 3 | 10461025 <sup>7,8</sup> |                       | 8200435 <sup>8,9</sup> |
| 10479183 | 12    | 11    | 6/8   | SAE 3 |                         | 10478832              |                        |
| 10479185 | 12    | 11    | 6/8   | SAE 3 |                         |                       | 8200308                |
| 10479191 | 12    | 12    | 8/10  | SAE 3 | 10461328                | 1990379 <sup>8</sup>  | 8200433 <sup>8</sup>   |
| 10479192 | 12    | 12    | 8/10  | SAE 3 | 10461329                | 10479192              | 8200433 <sup>8</sup>   |
| 10479193 | 24    | 12    | 8/10  | SAE 3 | 10461025 <sup>8</sup>   | 1993796               | 8200435 <sup>8</sup>   |

Starters

| Part No. | Volts | Teeth | Pitch | Mount | Replacement             |                        | Upgrade                |
|----------|-------|-------|-------|-------|-------------------------|------------------------|------------------------|
|          |       |       |       |       | Reman                   | New                    | 39MT                   |
| 10479194 | 12    | 11    | 6/8   | SAE 3 | 8300035                 | 10479151               |                        |
| 10479209 | 12    | 11    | 6/8   | SAE 3 |                         | 10479209 <sup>7</sup>  | 8200308 <sup>9</sup>   |
| 10479211 | 24    | 11    | 6/8   | SAE 3 | 10461068                | 1993924                | 8200330                |
| 10479212 | 24    | 11    | 6/8   | SAE 3 | 10461068                | 10478998               | 8200330                |
| 10479213 | 24    | 12    | 8/10  | SAE 3 |                         | 10479213               | 8200435 <sup>8</sup>   |
| 10479223 | 24    | 12    | 8/10  | SAE 3 |                         |                        | 8200435 <sup>9</sup>   |
| 10479224 | 24    | 12    | 8/10  | SAE 3 |                         |                        | 8200435                |
| 10479225 | 24    | 12    | 8/10  | SAE 3 | 10461025 <sup>7</sup>   |                        | 8200435 <sup>9</sup>   |
| 10479228 | 24    | 12    | 8/10  | SAE 3 |                         | 10479228               |                        |
| 10479238 | 24    | 12    | 8/10  | SAE 3 | 10461025 <sup>5,8</sup> | 10479238               | 8200435 <sup>8</sup>   |
| 10479251 | 12    | 12    | 8/10  | SAE 3 | 10461414 <sup>5,8</sup> | 1990379 <sup>5,8</sup> | 8200433 <sup>8</sup>   |
| 10479252 | 24    | 11    | 6/8   | SAE 3 | 10461068                | 10478998               | 8200330                |
| 10479261 | 24    | 12    | 8/10  | SAE 3 |                         |                        | 8200435                |
| 10479264 | 24    | 12    | 8/10  | SAE 3 | 10461025 <sup>8</sup>   | 1990453 <sup>8</sup>   | 8200435 <sup>8</sup>   |
| 10479265 | 12    | 11    | 6/8   | SAE 3 | 10461055                | 10479265               | 8200308                |
| 10479266 | 12    | 11    | 6/8   | SAE 3 | 10461055                | 10479266               | 8200308                |
| 10479267 | 12    | 11    | 6/8   | SAE 3 | 10461075                |                        | 8200308                |
| 10479273 | 24    | 11    | 6/8   | SAE 3 |                         | 10479010               | 8200330 <sup>9</sup>   |
| 10479276 | 24    | 12    | 8/10  | SAE 3 |                         |                        | 8200435 <sup>8</sup>   |
| 10479277 | 12    | 11    | 6/8   | SAE 3 | 10461052                | 1990483                | 8200308                |
| 10479281 | 12    | 11    | 6/8   | SAE 3 |                         | 10479281 <sup>7</sup>  | 8200308 <sup>9</sup>   |
| 10479282 | 12    | 12    | MOD 3 | SAE 3 | 8300037                 | 10479282               |                        |
| 10479285 | 12    | 11    | 6/8   | SAE 3 |                         |                        | 8200308 <sup>9</sup>   |
| 10479286 | 24    | 11    | 6/8   | SAE 3 |                         | 10479010               | 8200330 <sup>9</sup>   |
| 10479287 | 12    | 11    | 6/8   | SAE 3 |                         |                        | 8200308                |
| 10479288 | 24    | 11    | 6/8   | SAE 3 | 10461068                | 10478998               | 8200330                |
| 10479289 | 12    | 12    | MOD 3 | SAE 3 | 8300037                 | 10479289               |                        |
| 10479290 | 24    | 11    | 6/8   | SAE 3 | 10461054 <sup>8</sup>   | 10478998 <sup>8</sup>  | 8200330 <sup>8</sup>   |
| 10479291 | 24    | 12    | 8/10  | SAE 3 |                         |                        | 8200435 <sup>8,9</sup> |
| 10479294 | 12    | 11    | 6/8   | SAE 3 |                         |                        | 8200308 <sup>9</sup>   |
| 10479295 | 12    | 11    | 6/8   | SAE 3 |                         | 10478832               |                        |
| 10479303 | 24    | 11    | 6/8   | SAE 3 |                         | 10479010               | 8200330 <sup>9</sup>   |
| 10479308 | 24    | 11    | 6/8   | SAE 3 |                         | 10479010               | 8200330 <sup>9</sup>   |
| 10479357 | 12    | 12    | 8/10  | SAE 3 |                         |                        | 8200433 <sup>9</sup>   |
| 10511065 | 12    | 11    | 6/8   | SAE 3 | 10461052                | 1990483                | 8200308                |

**44MT**

| Part No. | Volts | Teeth | Pitch | Mount | Replacement |
|----------|-------|-------|-------|-------|-------------|
|          |       |       |       |       | New         |
| 8200617  | 12    | 11    | 6/8   | SAE 3 | 8200750     |
| 8200618  | 12    | 12    | MOD 3 | SAE 3 | 8200750     |
| 8200750  | 12    | 11    | 6/8   | SAE 3 | 8200750     |
| 8200770  | 12    | 12    | 8/10  | SAE 3 | 8200770     |
| 8200771  | 12    | 12    | MOD 3 | SAE 3 | 8200771     |
| 8200775  | 12    | 11    | 6/8   | SAE 3 | 8200750     |

| Part No. | Volts | Teeth | Pitch | Mount | Replacement |
|----------|-------|-------|-------|-------|-------------|
|          |       |       |       |       | New         |
| 8200795  | 12    | 12    | 8/10  | SAE 3 | 8200770     |
| 8200799  | 12    | 11    | 6/8   | SAE 3 | 8200750     |
| 8200800  | 12    | 12    | 8/10  | SAE 3 | 8200770     |
| 8200802  | 12    | 12    | 8/10  | SAE 3 | 8200770     |
| 8200803  | 12    | 12    | 8/10  | SAE 3 | 8200770     |
| 8200804  | 12    | 11    | 6/8   | SAE 3 | 8200750     |

| Part No. | Volts | Teeth | Pitch | Mount   | Replacement |          |
|----------|-------|-------|-------|---------|-------------|----------|
|          |       |       |       |         | Reman       | New      |
| 1109222  | 24    | 11    | 6/8   | SAE 3   | 10461739    | 10479339 |
| 1109223  | 24    | 11    | 6/8   | SPECIAL |             | 10479342 |
| 1109275  | 32    | 11    | 6/8   | SAE 3   | 10461159    | 10479331 |
| 1109277  | 32    | 11    | 6/8   | SAE 3   | 10461159    | 10479331 |
| 1109278  | 32    | 11    | 6/8   | SAE 3   | 10461159    | 10479331 |
| 1109279  | 32    | 11    | 6/8   | SAE 3   | 10461159    | 10479331 |
| 1109280  | 32    | 11    | 6/8   | SAE 3   | 10461159    | 10478827 |
| 1109284  | 64    | 11    | 6/8   | SAE 3   | 10461160    | 10478829 |
| 1109285  | 24    | 11    | 6/8   | SAE 3   | 10461739    | 10479339 |
| 1109287  | 24    | 11    | 6/8   | SAE 3   | 10461739    | 10479339 |
| 1109288  | 24    | 11    | 6/8   | SAE 3   | 10461739    | 10479339 |
| 1109289  | 24    | 11    | 6/8   | SAE 3   | 10461739    | 10479339 |
| 1109290  | 24    | 11    | 6/8   | SAE 3   | 10461739    | 10479343 |
| 1109291  | 24    | 11    | 6/8   | SAE 3   | 10461739    | 10479339 |
| 1109292  | 24    | 11    | 6/8   | SAE 3   | 10461739    | 10479339 |
| 1109293  | 24    | 11    | 6/8   | SAE 3   | 10461739    | 10479339 |
| 1109295  | 12    | 11    | 6/8   | SAE 3   | 10461738    | 10479328 |
| 1109296  | 24    | 11    | 6/8   | SAE 3   | 10461739    | 10479339 |
| 1109298  | 24    | 11    | 6/8   | SAE 3   | 10461739    | 10479339 |
| 1109493  | 24    | 11    | 6/8   | SAE 3   | 10461381    | 10479339 |
| 1109494  | 24    | 11    | 6/8   | SAE 3   | 10461739    | 10479339 |
| 1109545  | 12    | 11    | 6/8   | SAE 3   | 10461738    | 10479328 |
| 1109553  | 24    | 11    | 6/8   | SAE 3   | 10461739    | 10479339 |
| 1109554  | 12    | 11    | 6/8   | SAE 3   | 10461738    | 10479328 |
| 1109555  | 24    | 11    | 6/8   | SPECIAL | 1109555     | 10479342 |
| 1109625  | 32    | 11    | 6/8   | SAE 3   | 10461161    | 10479331 |
| 1109629  | 64    | 11    | 6/8   | SAE 3   | 10461160    | 10478829 |
| 1109630  | 24    | 11    | 6/8   | SAE 3   | 10461381    | 10479339 |
| 1109631  | 24    | 11    | 6/8   | SAE 3   | 10461739    | 10479339 |
| 1109633  | 24    | 11    | 6/8   | SAE 3   |             | 10479339 |
| 1109636  | 24    | 11    | 6/8   | SAE 3   | 10461739    | 10479323 |
| 1109638  | 24    | 11    | 6/8   | SAE 3   | 10461739    | 10479339 |
| 1109642  | 24    | 11    | 6/8   | SAE 3   | 10461739    | 10479339 |
| 1109643  | 24    | 11    | 6/8   | SAE 3   | 10461739    | 10479339 |
| 1109646  | 24    | 11    | 6/8   | SAE 3   | 10461381    | 10479339 |
| 1109647  | 24    | 11    | 6/8   | SAE 3   | 10461739    | 10479339 |
| 1109649  | 24    | 11    | 6/8   | SAE 3   | 10461739    | 10479339 |
| 1109755  | 24    | 11    | 6/8   | SAE 3   | 10461739    | 10479339 |
| 1109756  | 24    | 11    | 6/8   | SAE 3   |             | 10479339 |
| 1109759  | 24    | 11    | 6/8   | SAE 3   | 10461739    | 10479339 |
| 1109768  | 24    | 11    | 6/8   | SAE 3   | 10461739    | 10479339 |
| 1109771  | 24    | 11    | 6/8   | SAE 3   | 10461739    | 10479339 |
| 1109772  | 24    | 11    | 6/8   | SAE 3   | 10461739    | 10479339 |
| 1109774  | 24    | 11    | 6/8   | SAE 3   | 10461739    | 10479339 |
| 1109775  | 24    | 11    | 6/8   | SAE 3   | 10461739    | 10479339 |
| 1109776  | 24    | 11    | 6/8   | SAE 3   | 10461739    | 10479339 |

| Part No. | Volts | Teeth | Pitch | Mount   | Replacement            |          |
|----------|-------|-------|-------|---------|------------------------|----------|
|          |       |       |       |         | Reman                  | New      |
| 1109777  | 24    | 11    | 6/8   | SAE 3   | 10461739               | 10479339 |
| 1109780  | 24    | 11    | 6/8   | SAE 3   | 10461739               | 10479339 |
| 1109781  | 24    | 11    | 6/8   | SPECIAL |                        | 10479342 |
| 1109782  | 24    | 11    | 6/8   | SAE 3   | 10461739               | 10479339 |
| 1109788  | 24    | 11    | 6/8   | SPECIAL | 1109555                | 10479342 |
| 1109789  | 24    | 11    | 6/8   | SPECIAL | 1109555                | 10479342 |
| 1109790  | 12    | 11    | 6/8   | SAE 3   | 10461738               | 10479328 |
| 1109791  | 24    | 11    | 6/8   | SAE 3   | 10461739               | 10479339 |
| 1109796  | 32    | 11    | 6/8   | SAE 3   | 10461161               | 10478828 |
| 1109797  | 32    | 11    | 6/8   | SAE 3   | 10461159               | 10478827 |
| 1109798  | 24    | 11    | 6/8   | SAE 3   | 10461381               |          |
| 1109799  | 24    | 11    | 6/8   | SAE 3   |                        | 10479327 |
| 1109830  | 24    | 11    | 6/8   | SAE 3   |                        | 10479327 |
| 1109833  | 24    | 11    | 6/8   | SPECIAL | 1109555                | 10479342 |
| 1109834  | 24    | 11    | 6/8   | SPECIAL | 1109555                | 10479342 |
| 1109836  | 24    | 11    | 6/8   | SPECIAL | 1109555                | 10479342 |
| 1109837  | 24    | 11    | 6/8   | SAE 3   | 10461381               | 10479339 |
| 1109838  | 24    | 11    | 6/8   | SAE 3   | 10461739               | 10479339 |
| 1109839  | 24    | 11    | 6/8   | SAE 3   | 10461739               | 10479339 |
| 1109840  | 24    | 11    | 6/8   | SAE 3   | 10461739               | 10479339 |
| 1109841  | 24    | 11    | 6/8   | SAE 3   | 10461739               | 10479339 |
| 1109842  | 24    | 11    | 6/8   | SAE 3   | 10461739               | 10479339 |
| 1109843  | 24    | 11    | 6/8   | SAE 3   | 10461739               | 10479323 |
| 1109844  | 24    | 11    | 6/8   | SAE 3   | 10461381               | 10479339 |
| 1109845  | 24    | 11    | 6/8   | SAE 3   | 10461739               | 10479339 |
| 1109846  | 24    | 11    | 6/8   | SAE 3   | 10461739               | 10479339 |
| 1109961  | 24    | 11    | 6/8   | SAE 3   | 10461739               | 10479339 |
| 1109965  | 24    | 11    | 6/8   | SAE 3   | 10461739               | 10479339 |
| 1109971  | 24    | 11    | 6/8   | SAE 3   | 10461381               | 10479339 |
| 1109972  | 24    | 11    | 6/8   | SAE 3   | 10461739               | 10479323 |
| 1109977  | 24    | 11    | 6/8   | SAE 3   | 10461739               | 10479339 |
| 1109978  | 24    | 11    | 6/8   | SAE 3   | 10461739               | 10479339 |
| 1109979  | 24    | 11    | 6/8   | SAE 3   | 10461739               | 10479339 |
| 1109980  | 32    | 11    | 6/8   | SAE 3   | 10461159               | 10479331 |
| 1109986  | 24    | 11    | 6/8   | SAE 3   | 10461739               | 10479339 |
| 1109988  | 32    | 11    | 6/8   | SAE 3   | 10461159               | 10478827 |
| 1109997  | 24    | 11    | 6/8   | SAE 3   |                        | 10479339 |
| 1990225  | 32    | 11    | 6/8   | SAE 3   | 10461159 <sup>17</sup> | 10479331 |
| 1990226  | 32    | 11    | 6/8   | SAE 3   |                        | 10479331 |
| 1990229  | 24    | 11    | 6/8   | SAE 3   | 10461739 <sup>17</sup> | 10479343 |
| 1990230  | 32    | 11    | 6/8   | SAE 3   | 10461159 <sup>17</sup> | 10479331 |
| 1990231  | 24    | 11    | 6/8   | SAE 3   | 10461739 <sup>17</sup> | 10479343 |
| 1990233  | 24    | 11    | 6/8   | SPECIAL | 1109555 <sup>17</sup>  | 10479342 |
| 1990234  | 24    | 11    | 6/8   | SPECIAL | 1109555 <sup>17</sup>  | 10479342 |
| 1990235  | 24    | 11    | 6/8   | SAE 3   | 10461739 <sup>17</sup> | 10479343 |
| 1990236  | 24    | 11    | 6/8   | SAE 3   |                        | 10479327 |



| Part No. | Volts | Teeth | Pitch | Mount   | Replacement            |                        |
|----------|-------|-------|-------|---------|------------------------|------------------------|
|          |       |       |       |         | Reman                  | New                    |
| 1990237  | 24    | 11    | 6/8   | SAE 3   | 10461739               | 10479343               |
| 1990238  | 24    | 11    | 6/8   | SAE 3   |                        | 10479339               |
| 1990239  | 24    | 11    | 6/8   | SAE 3   | 10461739 <sup>17</sup> | 10479339 <sup>17</sup> |
| 1990242  | 32    | 11    | 6/8   | SAE 3   | 10461159 <sup>17</sup> | 10479331               |
| 1990244  | 24    | 11    | 6/8   | SAE 3   | 10461381               |                        |
| 1990246  | 32    | 11    | 6/8   | SAE 3   | 10461159               | 10479331               |
| 1990248  | 24    | 11    | 6/8   | SAE 3   | 10461739               | 10479339               |
| 1990249  | 24    | 11    | 6/8   | SAE 3   | 10461739               | 10479339               |
| 1990250  | 24    | 11    | 6/8   | SAE 3   | 10461739               | 10479339               |
| 1990251  | 24    | 11    | 6/8   | SAE 3   | 10461739               | 10479339               |
| 1990253  | 32    | 11    | 6/8   | SAE 3   | 10461159               | 10479331               |
| 1990254  | 32    | 11    | 6/8   | SAE 3   | 10461159               | 10479331               |
| 1990255  | 32    | 11    | 6/8   | SAE 3   | 10461159               | 10479331               |
| 1990256  | 32    | 11    | 6/8   | SAE 3   | 10461161               | 10478828               |
| 1990257  | 64    | 11    | 6/8   | SAE 3   | 10461160               | 10478829               |
| 1990258  | 64    | 11    | 6/8   | SAE 3   | 10461160               | 10478830               |
| 1990259  | 24    | 11    | 6/8   | SAE 3   | 10461739               | 10479339               |
| 1990260  | 24    | 11    | 6/8   | SAE 3   | 10461739               | 10479339               |
| 1990261  | 12    | 11    | 6/8   | SAE 3   | 10461738               | 10479328               |
| 1990262  | 24    | 11    | 6/8   | SAE 3   | 10461739               | 10479339               |
| 1990263  | 24    | 11    | 6/8   | SAE 3   | 10461739               | 10479339               |
| 1990264  | 24    | 11    | 6/8   | SAE 3   | 10461739               | 10479339               |
| 1990266  | 24    | 11    | 6/8   | SAE 3   | 10461739               | 10479329               |
| 1990267  | 24    | 11    | 6/8   | SAE 3   | 10461381               |                        |
| 1990269  | 24    | 11    | 6/8   | SAE 3   | 10461739               | 10479339               |
| 1990270  | 24    | 11    | 6/8   | SAE 3   | 10461739               | 10479339               |
| 1990271  | 24    | 11    | 6/8   | SAE 3   | 10461739               | 10479339               |
| 1990272  | 24    | 11    | 6/8   | SAE 3   | 10461739 <sup>17</sup> | 10479323               |
| 1990273  | 24    | 11    | 6/8   | SAE 3   | 10461739               | 10479339               |
| 1990274  | 24    | 11    | 6/8   | SAE 3   | 10461739               | 10479339               |
| 1990276  | 24    | 11    | 6/8   | SAE 3   | 10461739               | 10479339               |
| 1990277  | 12    | 11    | 6/8   | SAE 3   | 10461738               | 10479328               |
| 1990278  | 24    | 11    | 6/8   | SAE 3   | 10461381               | 10479339               |
| 1990284  | 24    | 11    | 6/8   | SAE 3   | 10461739               | 10479339               |
| 1990288  | 32    | 11    | 6/8   | SAE 3   | 10461161               | 10478828               |
| 1990289  | 32    | 11    | 6/8   | SAE 3   | 10461159 <sup>17</sup> |                        |
| 1990291  | 24    | 11    | 6/8   | SPECIAL | 1109555 <sup>17</sup>  | 10479342               |
| 1990298  | 12    | 11    | 6/8   | SAE 3   | 10461738               | 10479328               |
| 1990333  | 32    | 11    | 6/8   | SAE 3   | 10461161               | 10478828               |
| 1993708  | 32    | 11    | 6/8   | SAE 3   | 10461161               | 10478828               |
| 1993740  | 64    | 11    | 6/8   | SAE 3   | 10461160               | 10478829               |
| 1993743  | 64    | 11    | 6/8   | SAE 3   | 10461160               | 10478830               |
| 1993753  | 24    | 11    | 6/8   | SPECIAL | 1109555 <sup>17</sup>  | 10479342               |
| 1993757  | 24    | 11    | 6/8   | SAE 3   | 1109555 <sup>17</sup>  |                        |
| 1993798  | 64    | 11    | 6/8   | SAE 3   | 10461160               | 10478830               |
| 1993825  | 24    | 11    | 6/8   | SAE 3   | 10461739 <sup>17</sup> | 10479343               |

| Part No. | Volts | Teeth | Pitch | Mount   | Replacement            |                           |
|----------|-------|-------|-------|---------|------------------------|---------------------------|
|          |       |       |       |         | Reman                  | New                       |
| 1993840  | 24    | 11    | 6/8   | SAE 3   | 10461739 <sup>17</sup> | 10479343                  |
| 1993841  | 24    | 11    | 6/8   | SAE 3   | 10461739 <sup>17</sup> | 10479343                  |
| 1993852  | 24    | 11    | 6/8   | SAE 3   | 10461739 <sup>17</sup> | 10479323                  |
| 1993860  | 24    | 11    | 6/8   | SAE 3   | 10461739               | 10479323                  |
| 1993864  | 12    | 11    | 6/8   | SAE 3   | 10461738               | 10479328                  |
| 1993922  | 24    | 11    | 6/8   | SAE 3   | 10461739 <sup>17</sup> | 10479324                  |
| 1993959  | 64    | 11    | 6/8   | SAE 3   | 10461160               | 10478829                  |
| 1993960  | 64    | 11    | 6/8   | SAE 3   | 10461160               | 10478829                  |
| 1993968  | 12    | 11    | 6/8   | SAE 3   | 10461738               | 10479328                  |
| 8200016  | 24    | 11    | 6/8   | SAE 3   | 10461744               | 8200016                   |
| 8200017  | 24    | 11    | 6/8   | SAE 3   | 10461739               | 10479339                  |
| 8200036  | 24    | 11    | 6/8   | SAE 3   | 10461744 <sup>16</sup> |                           |
| 8200108  | 24    | 11    | 6/8   | SAE 3   |                        | 10479343 <sup>16,17</sup> |
| 8200205  | 24    | 11    | 6/8   | SAE 3   |                        | 10479343                  |
| 8200208  | 24    | 11    | 6/8   | SAE 3   | 10461744 <sup>16</sup> | 10479343                  |
| 8200286  | 32    | 11    | 6/8   | SAE 3   | 10461161               |                           |
| 8200300  | 32    | 11    | 6/8   | SAE 3   | 10461161               |                           |
| 8200480  | 24    | 11    | 6/8   | SPECIAL |                        | 10479342                  |
| 8200578  | 24    | 11    | 6/8   | SPECIAL |                        | 10479342                  |
| 8200590  | 24    | 11    | 6/8   | SAE 3   |                        | 8200590 <sup>16</sup>     |
| 10461056 | 12    | 11    | 6/8   | SAE 3   | 10461738               | 10479328                  |
| 10461057 | 24    | 11    | 6/8   | SAE 3   | 10461739               | 10479339                  |
| 10461125 | 24    | 11    | 6/8   | SAE 3   | 10461739               | 10479339                  |
| 10461129 | 12    | 11    | 6/8   | SAE 3   | 10461738               | 10479328                  |
| 10461150 | 24    | 11    | 6/8   | SPECIAL | 1109555 <sup>17</sup>  | 10479342                  |
| 10461154 | 32    | 11    | 6/8   | SAE 3   | 10461161 <sup>17</sup> | 10478828 <sup>17</sup>    |
| 10461155 | 32    | 11    | 6/8   | SAE 3   | 10461159 <sup>17</sup> | 10479331                  |
| 10461157 | 24    | 11    | 6/8   | SAE 3   | 10461744               | 8200016                   |
| 10461159 | 32    | 11    | 6/8   | SAE 3   |                        | 10479331                  |
| 10461160 | 64    | 11    | 6/8   | SAE 3   | 10461160               | 10478829                  |
| 10461161 | 32    | 11    | 6/8   | SAE 3   | 10461161               | 10478828                  |
| 10461167 | 64    | 11    | 6/8   | SAE 3   |                        | 10478830                  |
| 10461191 | 12    | 11    | 6/8   | SAE 3   | 10461738               | 10479328                  |
| 10461261 | 24    | 11    | 6/8   | SAE 3   | 10461739               | 10479339                  |
| 10461262 | 24    | 11    | 6/8   | SAE 3   | 10461739               | 10479339                  |
| 10461263 | 24    | 11    | 6/8   | SAE 3   | 10461739 <sup>17</sup> | 8200016                   |
| 10461264 | 24    | 11    | 6/8   | SAE 3   | 10461739               | 10479339                  |
| 10461368 | 64    | 11    | 6/8   | SAE 3   | 10461160               | 10478829                  |
| 10461369 | 64    | 11    | 6/8   | SAE 3   | 10461160               | 10478830                  |
| 10461375 | 32    | 11    | 6/8   | SAE 3   | 10461161 <sup>17</sup> | 10478828 <sup>17</sup>    |
| 10461377 | 24    | 11    | 6/8   | SAE 3   | 10461744 <sup>16</sup> |                           |
| 10461378 | 24    | 11    | 6/8   | SAE 3   | 10461744 <sup>16</sup> |                           |
| 10461379 | 24    | 11    | 6/8   | SPECIAL |                        | 10479342                  |
| 10461381 | 24    | 11    | 6/8   | SAE 3   | 10461381               |                           |
| 10461382 | 24    | 11    | 6/8   | SAE 3   | 10461381               |                           |
| 10461399 | 32    | 11    | 6/8   | SAE 3   | 10461161               | 10478828                  |

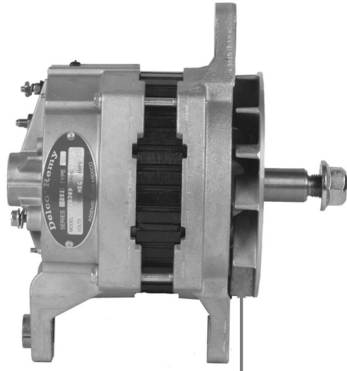
| Part No. | Volts | Teeth | Pitch | Mount   | Replacement            |                        |
|----------|-------|-------|-------|---------|------------------------|------------------------|
|          |       |       |       |         | Reman                  | New                    |
| 10461421 | 24    | 11    | 6/8   | SAE 3   | 10461739               | 10479329               |
| 10461493 | 24    | 11    | 6/8   | SAE 3   | 10461493               | 10479344               |
| 10461505 | 32    | 11    | 6/8   | SAE 3   | 10461159               | 10478827               |
| 10461506 | 32    | 11    | 6/8   | SAE 3   | 10461159               | 10478827               |
| 10461731 | 12    | 11    | 6/8   | SAE 3   | 10461738               | 10479328               |
| 10461733 | 24    | 11    | 6/8   | SAE 3   | 10461739               | 10479339               |
| 10461738 | 12    | 11    | 6/8   | SAE 3   | 10461738               | 10479328               |
| 10461739 | 24    | 11    | 6/8   | SAE 3   | 10461739               | 10479339               |
| 10461740 | 24    | 11    | 6/8   | SAE 3   | 10461739               | 10479339               |
| 10461741 | 12    | 11    | 6/8   | SAE 3   | 10461738               | 10479328               |
| 10461744 | 24    | 11    | 6/8   | SAE 3   | 10461744 <sup>16</sup> |                        |
| 10461745 | 24    | 11    | 6/8   | SPECIAL |                        | 10479342 <sup>16</sup> |
| 10461746 | 24    | 11    | 6/8   | SAE 3   | 10461381               |                        |
| 10465602 | 32    | 11    | 6/8   | SAE 3   | 10461161 <sup>17</sup> |                        |
| 10465604 | 24    | 11    | 6/8   | SAE 3   | 10461744 <sup>16</sup> |                        |
| 10478800 | 24    | 11    | 6/8   | SAE 3   | 10461739 <sup>17</sup> | 10479323               |
| 10478807 | 64    | 11    | 6/8   | SAE 3   | 10461160               | 10478829               |
| 10478808 | 64    | 11    | 6/8   | SAE 3   | 10461160               | 10478829               |
| 10478813 | 12    | 11    | 6/8   | SAE 3   | 10461738               | 10479328               |
| 10478827 | 32    | 11    | 6/8   | SAE 3   | 10461159               | 10478827               |
| 10478828 | 32    | 11    | 6/8   | SAE 3   | 10461161               | 10478828               |
| 10478829 | 64    | 11    | 6/8   | SAE 3   | 10461160               | 10478829               |
| 10478830 | 64    | 11    | 6/8   | SAE 3   |                        | 10478830               |
| 10478843 | 32    | 11    | 6/8   | SAE 3   | 10461159 <sup>17</sup> | 10479331               |
| 10478844 | 32    | 11    | 6/8   | SAE 3   | 10461161 <sup>17</sup> | 10478828 <sup>17</sup> |
| 10478848 | 24    | 11    | 6/8   | SAE 3   | 10461744 <sup>16</sup> | 10479343               |
| 10478849 | 32    | 11    | 6/8   | SAE 3   | 10461159               | 10479331               |
| 10478850 | 24    | 11    | 6/8   | SPECIAL |                        | 10479342               |
| 10478852 | 24    | 11    | 6/8   | SAE 3   | 10461744 <sup>16</sup> |                        |
| 10478855 | 24    | 11    | 6/8   | SPECIAL | 1109555 <sup>17</sup>  | 10479342               |
| 10478858 | 32    | 11    | 6/8   | SAE 3   | 10461159 <sup>17</sup> | 10479331               |
| 10478859 | 24    | 11    | 6/8   | SPECIAL |                        | 10479342               |
| 10478861 | 24    | 11    | 6/8   | SPECIAL |                        | 10479342               |
| 10478863 | 24    | 11    | 6/8   | SAE 3   | 10461744 <sup>16</sup> | 10479343               |
| 10478865 | 24    | 11    | 6/8   | SAE 3   | 10461744 <sup>16</sup> | 10479343               |
| 10478866 | 24    | 11    | 6/8   | SAE 3   | 10461744 <sup>16</sup> | 10479343               |
| 10478867 | 64    | 11    | 6/8   | SAE 3   | 10461160 <sup>17</sup> |                        |
| 10478868 | 64    | 11    | 6/8   | SAE 3   | 10461160 <sup>17</sup> |                        |
| 10478870 | 64    | 11    | 6/8   | SAE 3   | 10461160 <sup>17</sup> |                        |
| 10478871 | 64    | 11    | 6/8   | SAE 3   | 10461160 <sup>17</sup> |                        |
| 10478874 | 24    | 11    | 6/8   | SAE 3   |                        | 10479327               |
| 10478876 | 32    | 11    | 6/8   | SAE 3   | 10461159               | 10479331               |
| 10478877 | 12    | 11    | 6/8   | SAE 3   | 10461738               | 10479328               |
| 10478878 | 24    | 11    | 6/8   | SAE 3   |                        | 10479327               |
| 10478879 | 24    | 11    | 6/8   | SAE 3   | 10461381               |                        |
| 10478880 | 24    | 11    | 6/8   | SAE 3   | 10461739               | 10479329               |

| Part No. | Volts | Teeth | Pitch | Mount   | Replacement            |                        |
|----------|-------|-------|-------|---------|------------------------|------------------------|
|          |       |       |       |         | Reman                  | New                    |
| 10478883 | 24    | 11    | 6/8   | SAE 3   | 10461744               | 10479343               |
| 10478884 | 24    | 11    | 6/8   | SAE 3   | 10461739 <sup>17</sup> | 10479330               |
| 10478885 | 32    | 11    | 6/8   | SAE 3   | 10461159 <sup>17</sup> | 10479331               |
| 10478887 | 24    | 11    | 6/8   | SAE 3   | 10461739               | 10479339               |
| 10478888 | 24    | 11    | 6/8   | SAE 3   | 10461739               |                        |
| 10478889 | 24    | 11    | 6/8   | SAE 3   | 10461739 <sup>17</sup> | 10479323               |
| 10478905 | 24    | 11    | 6/8   | SAE 3   | 10461381               |                        |
| 10478906 | 12    | 11    | 6/8   | SAE 3   | 10461738               | 10479328               |
| 10478907 | 24    | 11    | 6/8   | SAE 3   | 10461739 <sup>17</sup> | 8200016                |
| 10478908 | 24    | 11    | 6/8   | SAE 3   | 10461744               | 10479339               |
| 10478909 | 24    | 11    | 6/8   | SAE 3   | 10461739               | 10479339               |
| 10478910 | 12    | 11    | 6/8   | SAE 3   | 10461738               | 10479328               |
| 10478911 | 24    | 11    | 6/8   | SAE 3   | 10461739               | 10479339               |
| 10478912 | 24    | 11    | 6/8   | SAE 3   | 10461739               | 10479339               |
| 10478915 | 32    | 11    | 6/8   | SAE 3   | 10461161               | 10478828               |
| 10478916 | 64    | 11    | 6/8   | SAE 3   | 10461160               | 10478829               |
| 10478917 | 12    | 11    | 6/8   | SAE 3   | 10461738               | 10479328               |
| 10478919 | 64    | 11    | 6/8   | SAE 3   | 10461160               | 10478829               |
| 10479001 | 32    | 11    | 6/8   | SAE 3   | 10461159 <sup>17</sup> | 10479331               |
| 10479050 | 32    | 11    | 6/8   | SAE 3   | 10461159 <sup>17</sup> | 10479331               |
| 10479123 | 24    | 11    | 6/8   | SAE 3   | 10461739               | 10479339               |
| 10479124 | 24    | 11    | 6/8   | SAE 3   | 10461739               | 10479339               |
| 10479125 | 24    | 11    | 6/8   | SAE 3   | 10461744               | 10479343               |
| 10479126 | 24    | 11    | 6/8   | SAE 3   | 10461739               | 10479339               |
| 10479137 | 64    | 11    | 6/8   | SAE 3   | 10461160 <sup>17</sup> | 10478829 <sup>17</sup> |
| 10479138 | 64    | 11    | 6/8   | SAE 3   | 10461160 <sup>17</sup> | 10478829 <sup>17</sup> |
| 10479144 | 24    | 11    | 6/8   | SPECIAL |                        | 10479342 <sup>16</sup> |
| 10479145 | 24    | 11    | 6/8   | SAE 3   | 10461744 <sup>16</sup> | 10479343 <sup>16</sup> |
| 10479152 | 24    | 11    | 6/8   | SAE 3   |                        | 10479353               |
| 10479153 | 24    | 11    | 6/8   | SAE 3   | 10461493               | 10479344               |
| 10479167 | 32    | 11    | 6/8   | SAE 3   | 10461161               | 10478828               |
| 10479190 | 24    | 11    | 6/8   | SAE 3   | 10461744 <sup>16</sup> | 10479343               |
| 10479199 | 24    | 11    | 6/8   | SAE 3   | 10461493               | 10479344               |
| 10479201 | 12    | 11    | 6/8   | SAE 3   |                        | 10479328               |
| 10479234 | 24    | 11    | 6/8   | SAE 3   |                        | 10479339               |
| 10479256 | 24    | 11    | 6/8   | SAE 3   | 10461739 <sup>17</sup> |                        |
| 10479268 | 64    | 11    | 6/8   | SAE 3   | 10461160               | 10478829               |
| 10479271 | 24    | 11    | 6/8   | SAE 3   | 10461493               | 10479344               |
| 10479272 | 24    | 11    | 6/8   | SAE 3   | 10461739               | 10479339               |
| 10479297 | 12    | 11    | 6/8   | SAE 3   | 10461738               | 10479328               |
| 10479309 | 12    | 12    | 8/10  | SAE 3   |                        | 10479352               |
| 10479323 | 24    | 11    | 6/8   | SAE 3   | 10461739 <sup>17</sup> | 10479323               |
| 10479324 | 24    | 11    | 6/8   | SAE 3   | 10461739 <sup>17</sup> | 10479324               |
| 10479326 | 32    | 11    | 6/8   | SAE 3   | 10461161 <sup>17</sup> |                        |
| 10479327 | 24    | 11    | 6/8   | SAE 3   |                        | 10479327               |
| 10479328 | 12    | 11    | 6/8   | SAE 3   | 10461738               | 10479328               |

| Part No.        | Volts | Teeth | Pitch | Mount | Replacement            |          |
|-----------------|-------|-------|-------|-------|------------------------|----------|
|                 |       |       |       |       | Reman                  | New      |
| <b>10479329</b> | 24    | 11    | 6/8   | SAE 3 | 10461739               | 10479329 |
| <b>10479330</b> | 24    | 11    | 6/8   | SAE 3 |                        | 10479330 |
| <b>10479332</b> | 24    | 11    | 6/8   | SAE 3 | 10461739               | 10479339 |
| <b>10479334</b> | 24    | 11    | 6/8   | SAE 3 | 10461739 <sup>17</sup> | 10479323 |
| <b>10479335</b> | 24    | 11    | 6/8   | SAE 3 | 10461381               |          |
| <b>10479336</b> | 12    | 11    | 6/8   | SAE 3 | 10461738               | 10479328 |
| <b>10479337</b> | 24    | 11    | 6/8   | SAE 3 | 10461739 <sup>17</sup> | 8200016  |
| <b>10479338</b> | 12    | 11    | 6/8   | SAE 3 | 10461738               | 10479328 |
| <b>10479339</b> | 24    | 11    | 6/8   | SAE 3 | 10461739               | 10479339 |
| <b>10479340</b> | 24    | 11    | 6/8   | SAE 3 | 10461739               | 10479339 |
| <b>10479341</b> | 12    | 11    | 6/8   | SAE 3 | 10461738               | 10479328 |

| Part No.        | Volts | Teeth | Pitch | Mount   | Replacement            |                        |
|-----------------|-------|-------|-------|---------|------------------------|------------------------|
|                 |       |       |       |         | Reman                  | New                    |
| <b>10479342</b> | 24    | 11    | 6/8   | SPECIAL | 1109555                | 10479342 <sup>16</sup> |
| <b>10479343</b> | 24    | 11    | 6/8   | SAE 3   | 10461744 <sup>16</sup> | 10479343 <sup>16</sup> |
| <b>10479344</b> | 24    | 11    | 6/8   | SAE 3   | 10461493               | 10479344               |
| <b>10479345</b> | 24    | 11    | 6/8   | SAE 3   | 10461493               | 10479344               |
| <b>10479346</b> | 24    | 11    | 6/8   | SAE 3   | 10461493               | 10479353               |
| <b>10479351</b> | 32    | 11    | 6/8   | SAE 3   | 10461161               | 10478828               |
| <b>10479352</b> | 12    | 12    | 8/10  | SAE 3   |                        | 10479352               |
| <b>10479353</b> | 24    | 11    | 6/8   | SAE 3   |                        | 10479353               |
| <b>10479368</b> | 24    | 11    | 6/8   | SAE 3   |                        | 10479339               |
| <b>10479372</b> | 24    | 11    | 6/8   | SAE 3   | 10461744 <sup>16</sup> | 10479343               |
| <b>10479374</b> | 24    | 11    | 6/8   | SAE 3   | 10461739 <sup>17</sup> | 10479339 <sup>17</sup> |

21SI, 22SI, 23SI and most  
Leece Neville alternators



External Fan

24SI and 28SI alternators



Dual Internal Fans (DIF Style)

## 1 Dual Internal Fan Alternators

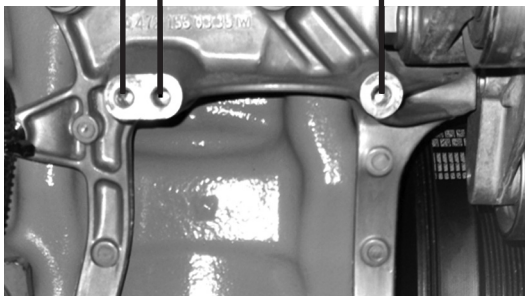
When replacing an alternator with an external fan, with one that has an internal fan alternator, DO NOT take the external fan from the original model and apply to the internal fan alternator. This will result in pulley and belt misalignment.

Long Pad Models

33SI, 34SI, 35SI, 36SI, 40SI

Short Pad Models

22SI, 23SI, 24SI, 28SI



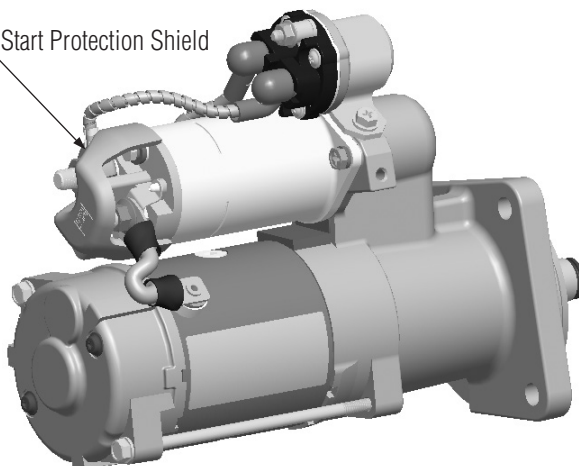
## 2 Pad Mount and Engine Mounting Brackets

Use the pre-existing engine mounting bracket holes to easily upgrade from a competitive model. The same can be done when going from a Delco Remy alternator with shorter pad mount style to the premium brushless longer pad mount style.

## 3 No Pulley

Replacement alternator does not have a pulley.

Jump Start Protection Shield



## 4 28MT Starters with Jump Start Protection

If the original starter has a Jump Start Protection shield installed over the starter solenoid terminals, it is recommended that the shield is transferred to the replacement model. Or, purchase shield part # 10473386 from your genuine Delco Remy distributor or dealer.

## 5 Starter Commutator End Rotated 180 Degrees

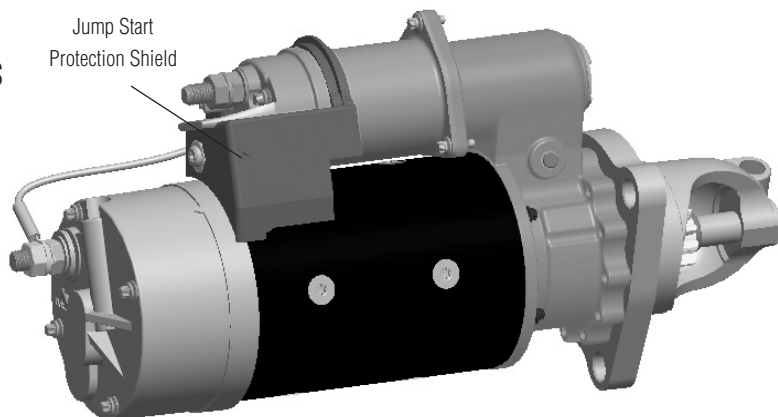
The original starter model's commutator end (CE) may be rotated 180 degrees different than the replacement starter. **IMPORTANT:** make sure terminal connections are made properly and OEM wiring harnesses length is appropriate.

## 6 Original Starter Ground Terminal in the Frame - Replacement Starter Terminal in the Back End

The original starter model has the ground terminal located in the starter frame. The replacement model ground terminal is located in the back of the starter. It is important to identify this difference. Make sure the starter ground cable is properly grounded on the replacement starter.

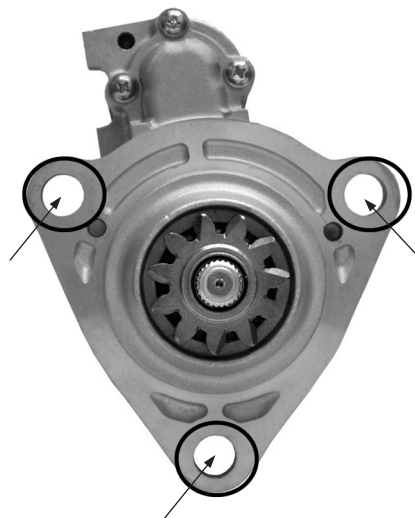
## 7 37MT/41MT/42MT Starters with Jump Start Protection

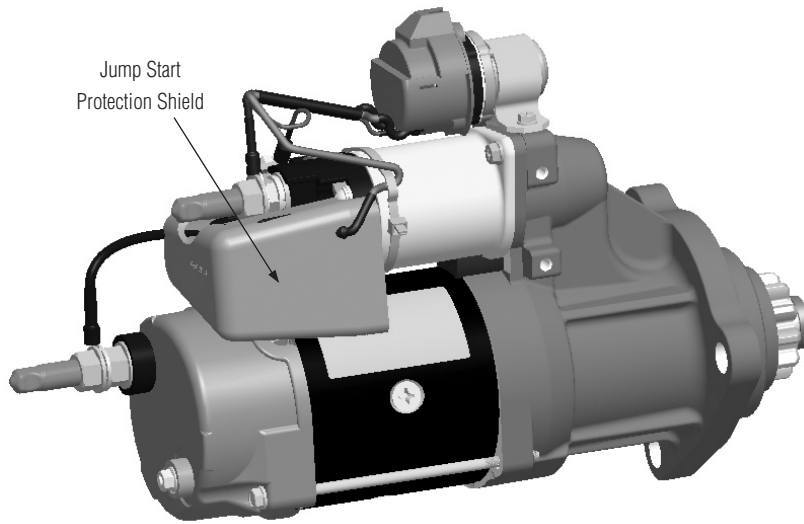
If the original starter has a Jump Start Protection shield installed over the starter solenoid terminals, it is recommended that the shield is transferred to the replacement model. Or, purchase shield part # 10456430 from your genuine Delco Remy distributor or dealer.



## 8 Starter Mounting Hole Differences

The replacement starter model may have slightly larger diameter mounting holes than the original starter model. It is recommended that a hardened washer (5 grade or better) is used with each mounting hole for the replacement starter model.





## 9 39MT Starters with Jump Start Protection

If the original starter has a Jump Start Protection shield installed over the starter solenoid terminals, it is recommended that the shield is transferred to the replacement model. Or, purchase shield part number 10511411 from your genuine Delco Remy distributor or dealer.

## 10 Replacement Model does not have OCP

The replacement starter DOES NOT have OCP (over crank protection) - the original starter model does have this feature.

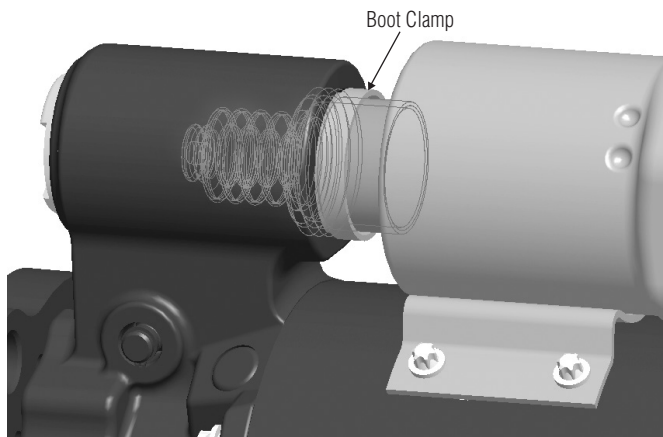
## 11 IMS Switch Position

The IMS switch on this replacement starter motor may need to be repositioned. To provide flexibility to our customers, this replacement Starter Motor comes equipped with 6 sets of mounting holes that are designed to allow for maximum flexibility when positioning the IMS Switch.

## 12 Solenoid Position Slightly Different

The position of the solenoid on this replacement starter motor is different than the position of the solenoid on the OE Model. This replacement starter motor comes equipped with a rotatable flange design and the solenoid will need to be repositioned (by removing the 6 bolts on the front of the flange) and rotating the flange so that the solenoid is in the same position as the OE Model.

## 13 Has OCP Replacement part number has OCP (over crank protection)



## 14 Starter Boot Clamp

The original starter has a boot clamp installed on the solenoid for improved sealing determined necessary by the OEM. Please consider the application and operating environment if the replacement option does not provide this boot clamp sealing feature.

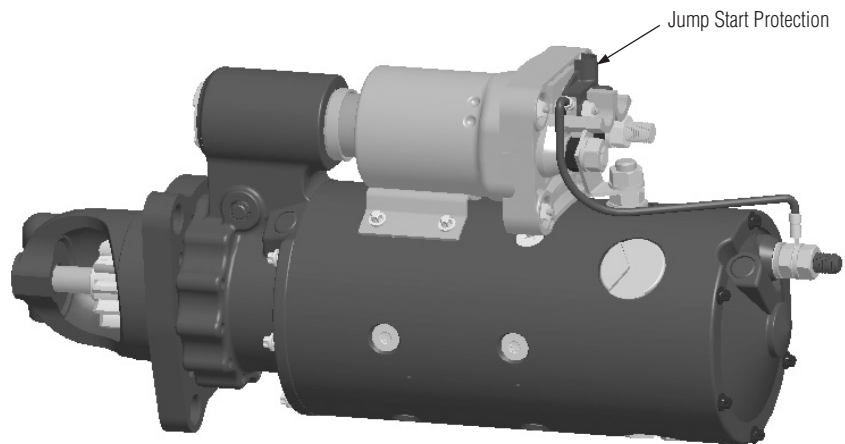


## 15 Solenoid position slightly different

The replacement starter model solenoid switch position is slightly different (within 15 degrees) than the original model. Need to confirm starter fit-up for proper installation.

## 16 50MT Starters with Jump Start Protection

If the original starter has a Jump Start Protection shield installed over the starter solenoid terminals, it is recommended that the shield is transferred to the replacement model. Or, purchase shield part number 10489059 from your genuine Delco Remy distributor or dealer.



## 17 Non-Rotatable Flange

The replacement part number has a non-rotatable flange.

## 18 No IMS Switch

The replacement part number does not come equipped with an IMS switch.

## 19 Has IMS Switch

The replacement part number comes equipped with an IMS switch.

# Model Index

| Part No. | Model | Part No. | Model | Part No. | Model | Part No. | Model |
|----------|-------|----------|-------|----------|-------|----------|-------|
| 1100072  | 27SI  | 1100169  | 10SI  | 1100244  | 12SI  | 1100547  | 10SI  |
| 1100073  | 27SI  | 1100170  | 10SI  | 1100246  | 12SI  | 1100548  | 10SI  |
| 1100075  | 27SI  | 1100171  | 10SI  | 1100247  | 12SI  | 1100549  | 10SI  |
| 1100076  | 27SI  | 1100173  | 10SI  | 1100249  | 12SI  | 1100550  | 10SI  |
| 1100077  | 27SI  | 1100174  | 10SI  | 1100250  | 12SI  | 1100552  | 10SI  |
| 1100080  | 27SI  | 1100175  | 10SI  | 1100252  | 12SI  | 1100554  | 10SI  |
| 1100081  | 27SI  | 1100176  | 10SI  | 1100253  | 12SI  | 1100559  | 10SI  |
| 1100082  | 27SI  | 1100178  | 10SI  | 1100254  | 12SI  | 1100560  | 10SI  |
| 1100083  | 27SI  | 1100179  | 10SI  | 1100255  | 12SI  | 1100573  | 10SI  |
| 1100086  | 27SI  | 1100180  | 10SI  | 1100256  | 10SI  | 1100574  | 10SI  |
| 1100087  | 27SI  | 1100181  | 10SI  | 1100257  | 12SI  | 1100575  | 10SI  |
| 1100091  | 27SI  | 1100182  | 10SI  | 1100258  | 12SI  | 1100578  | 10SI  |
| 1100109  | 10SI  | 1100190  | 15SI  | 1100259  | 12SI  | 1100579  | 10SI  |
| 1100110  | 10SI  | 1100192  | 15SI  | 1100260  | 12SI  | 1100580  | 10SI  |
| 1100111  | 10SI  | 1100193  | 15SI  | 1100261  | 12SI  | 1100581  | 10SI  |
| 1100113  | 10SI  | 1100194  | 15SI  | 1100263  | 12SI  | 1100588  | 10SI  |
| 1100114  | 10SI  | 1100195  | 15SI  | 1100264  | 12SI  | 1100589  | 10SI  |
| 1100115  | 10SI  | 1100196  | 10SI  | 1100265  | 12SI  | 1100592  | 10SI  |
| 1100116  | 10SI  | 1100198  | 10SI  | 1100267  | 10SI  | 1100593  | 10SI  |
| 1100121  | 10SI  | 1100199  | 10SI  | 1100268  | 10SI  | 1100597  | 10SI  |
| 1100122  | 10SI  | 1100200  | 12SI  | 1100269  | 12SI  | 1100825  | 10SI  |
| 1100124  | 10SI  | 1100201  | 10SI  | 1100270  | 12SI  | 1100830  | 10SI  |
| 1100125  | 10SI  | 1100202  | 10SI  | 1100271  | 15SI  | 1100832  | 10SI  |
| 1100127  | 10SI  | 1100203  | 10SI  | 1100272  | 12SI  | 1100833  | 10SI  |
| 1100129  | 10SI  | 1100204  | 10SI  | 1100273  | 12SI  | 1100852  | 10SI  |
| 1100130  | 10SI  | 1100206  | 12SI  | 1100275  | 12SI  | 1100853  | 10SI  |
| 1100131  | 10SI  | 1100207  | 12SI  | 1100278  | 17SI  | 1100854  | 10SI  |
| 1100132  | 10SI  | 1100208  | 12SI  | 1100281  | 10SI  | 1100855  | 10SI  |
| 1100133  | 10SI  | 1100209  | 12SI  | 1100282  | 15SI  | 1100859  | 10SI  |
| 1100138  | 10SI  | 1100217  | 12SI  | 1100283  | 15SI  | 1100865  | 10SI  |
| 1100139  | 10SI  | 1100218  | 10SI  | 1100284  | 15SI  | 1100880  | 10SI  |
| 1100140  | 10SI  | 1100220  | 10SI  | 1100285  | 15SI  | 1100881  | 10SI  |
| 1100141  | 10SI  | 1100221  | 10SI  | 1100286  | 15SI  | 1100882  | 10SI  |
| 1100142  | 10SI  | 1100222  | 10SI  | 1100287  | 12SI  | 1100884  | 10SI  |
| 1100143  | 10SI  | 1100223  | 15SI  | 1100288  | 12SI  | 1100890  | 10SI  |
| 1100145  | 10SI  | 1100224  | 15SI  | 1100289  | 12SI  | 1100897  | 10SI  |
| 1100146  | 10SI  | 1100225  | 10SI  | 1100290  | 12SI  | 1100899  | 10SI  |
| 1100148  | 10SI  | 1100226  | 10SI  | 1100291  | 12SI  | 1100900  | 10SI  |
| 1100149  | 10SI  | 1100227  | 10SI  | 1100293  | 15SI  | 1100901  | 10SI  |
| 1100150  | 10SI  | 1100228  | 10SI  | 1100294  | 10SI  | 1100902  | 10SI  |
| 1100151  | 10SI  | 1100229  | 10SI  | 1100295  | 15SI  | 1100903  | 10SI  |
| 1100152  | 10SI  | 1100230  | 10SI  | 1100296  | 15SI  | 1100904  | 10SI  |
| 1100153  | 10SI  | 1100231  | 10SI  | 1100297  | 10SI  | 1100911  | 10SI  |
| 1100154  | 10SI  | 1100232  | 10SI  | 1100298  | 12SI  | 1100919  | 10SI  |
| 1100155  | 10SI  | 1100233  | 10SI  | 1100299  | 12SI  | 1100920  | 10SI  |
| 1100156  | 10SI  | 1100234  | 10SI  | 1100300  | 12SI  | 1100922  | 10SI  |
| 1100158  | 10SI  | 1100235  | 10SI  | 1100487  | 10SI  | 1100923  | 10SI  |
| 1100159  | 10SI  | 1100236  | 10SI  | 1100491  | 10SI  | 1100924  | 10SI  |
| 1100162  | 10SI  | 1100237  | 12SI  | 1100494  | 10SI  | 1100925  | 10SI  |
| 1100163  | 10SI  | 1100238  | 10SI  | 1100497  | 10SI  | 1100926  | 10SI  |
| 1100164  | 10SI  | 1100239  | 12SI  | 1100542  | 10SI  | 1100927  | 10SI  |
| 1100165  | 10SI  | 1100240  | 12SI  | 1100543  | 10SI  | 1100928  | 10SI  |
| 1100166  | 10SI  | 1100241  | 12SI  | 1100544  | 10SI  | 1100929  | 10SI  |
| 1100167  | 10SI  | 1100242  | 12SI  | 1100545  | 10SI  | 1100930  | 10SI  |
| 1100168  | 10SI  | 1100243  | 12SI  | 1100546  | 10SI  | 1100934  | 10SI  |

# Model Index

| Part No. | Model |
|----------|-------|
| 1100935  | 10SI  |
| 1100936  | 10SI  |
| 1100937  | 10SI  |
| 1100940  | 10SI  |
| 1100946  | 10SI  |
| 1100947  | 10SI  |
| 1100949  | 10SI  |
| 1100950  | 10SI  |
| 1101015  | 27SI  |
| 1101016  | 27SI  |
| 1101018  | 27SI  |
| 1101019  | 27SI  |
| 1101020  | 27SI  |
| 1101022  | 27SI  |
| 1101023  | 27SI  |
| 1101024  | 27SI  |
| 1101025  | 27SI  |
| 1101026  | 27SI  |
| 1101027  | 27SI  |
| 1101029  | 27SI  |
| 1101030  | 27SI  |
| 1101031  | 27SI  |
| 1101033  | 27SI  |
| 1101034  | 27SI  |
| 1101035  | 27SI  |
| 1101036  | 27SI  |
| 1101038  | 15SI  |
| 1101039  | 15SI  |
| 1101040  | 15SI  |
| 1101041  | 15SI  |
| 1101043  | 27SI  |
| 1101044  | 15SI  |
| 1101045  | 15SI  |
| 1101046  | 27SI  |
| 1101048  | 27SI  |
| 1101049  | 27SI  |
| 1101050  | 27SI  |
| 1101058  | 27SI  |
| 1101059  | 27SI  |
| 1101060  | 27SI  |
| 1101061  | 27SI  |
| 1101062  | 27SI  |
| 1101063  | 27SI  |
| 1101064  | 27SI  |
| 1101065  | 15SI  |
| 1101066  | 15SI  |
| 1101068  | 15SI  |
| 1101070  | 15SI  |
| 1101073  | 27SI  |
| 1101075  | 15SI  |
| 1101076  | 15SI  |
| 1101077  | 15SI  |
| 1101079  | 15SI  |
| 1101080  | 15SI  |
| 1101081  | 15SI  |

| Part No. | Model |
|----------|-------|
| 1101085  | 15SI  |
| 1101087  | 15SI  |
| 1101088  | 15SI  |
| 1101090  | 27SI  |
| 1101091  | 27SI  |
| 1101092  | 15SI  |
| 1101093  | 15SI  |
| 1101094  | 15SI  |
| 1101096  | 15SI  |
| 1101097  | 15SI  |
| 1101109  | 27SI  |
| 1101113  | 17SI  |
| 1101118  | 15SI  |
| 1101134  | 12SI  |
| 1101155  | 10SI  |
| 1101156  | 12SI  |
| 1101157  | 12SI  |
| 1101159  | 10SI  |
| 1101164  | 17SI  |
| 1101178  | 27SI  |
| 1101215  | 17SI  |
| 1101224  | 17SI  |
| 1101225  | 17SI  |
| 1101228  | 12SI  |
| 1101236  | 17SI  |
| 1101240  | 12SI  |
| 1101241  | 12SI  |
| 1101242  | 12SI  |
| 1101243  | 12SI  |
| 1101244  | 12SI  |
| 1101245  | 12SI  |
| 1101252  | 17SI  |
| 1101258  | 17SI  |
| 1101290  | 17SI  |
| 1101297  | 17SI  |
| 1101298  | 12SI  |
| 1101299  | 12SI  |
| 1101300  | 12SI  |
| 1101301  | 12SI  |
| 1101302  | 12SI  |
| 1101304  | 12SI  |
| 1101305  | 12SI  |
| 1101306  | 17SI  |
| 1101307  | 12SI  |
| 1101308  | 12SI  |
| 1101309  | 17SI  |
| 1101322  | 15SI  |
| 1101324  | 12SI  |
| 1101437  | 15SI  |
| 1101438  | 15SI  |
| 1101441  | 15SI  |
| 1101446  | 15SI  |
| 1101447  | 15SI  |
| 1101448  | 15SI  |
| 1101484  | 12SI  |

| Part No. | Model |
|----------|-------|
| 1101700  | 15SI  |
| 1102346  | 10SI  |
| 1102347  | 10SI  |
| 1102349  | 10SI  |
| 1102350  | 10SI  |
| 1102353  | 10SI  |
| 1102354  | 10SI  |
| 1102359  | 10SI  |
| 1102363  | 10SI  |
| 1102364  | 10SI  |
| 1102367  | 10SI  |
| 1102368  | 10SI  |
| 1102369  | 10SI  |
| 1102370  | 10SI  |
| 1102380  | 10SI  |
| 1102381  | 10SI  |
| 1102382  | 10SI  |
| 1102383  | 10SI  |
| 1102384  | 10SI  |
| 1102385  | 10SI  |
| 1102386  | 10SI  |
| 1102387  | 10SI  |
| 1102388  | 10SI  |
| 1102389  | 10SI  |
| 1102390  | 10SI  |
| 1102391  | 10SI  |
| 1102392  | 10SI  |
| 1102394  | 10SI  |
| 1102395  | 10SI  |
| 1102397  | 10SI  |
| 1102399  | 10SI  |
| 1102400  | 10SI  |
| 1102457  | 10SI  |
| 1102460  | 10SI  |
| 1102461  | 10SI  |
| 1102465  | 10SI  |
| 1102466  | 10SI  |
| 1102467  | 10SI  |
| 1102468  | 10SI  |
| 1102472  | 10SI  |
| 1102474  | 10SI  |
| 1102475  | 10SI  |
| 1102476  | 10SI  |
| 1102477  | 10SI  |
| 1102478  | 10SI  |
| 1102479  | 10SI  |
| 1102480  | 10SI  |
| 1102481  | 10SI  |
| 1102482  | 10SI  |
| 1102483  | 10SI  |
| 1102484  | 10SI  |
| 1102485  | 10SI  |
| 1102486  | 10SI  |
| 1102488  | 10SI  |
| 1102491  | 10SI  |

| Part No. | Model |
|----------|-------|
| 1102493  | 10SI  |
| 1102494  | 10SI  |
| 1102495  | 10SI  |
| 1102497  | 10SI  |
| 1102499  | 10SI  |
| 1102500  | 10SI  |
| 1102548  | 10SI  |
| 1102549  | 10SI  |
| 1102550  | 10SI  |
| 1102839  | 10SI  |
| 1102840  | 10SI  |
| 1102841  | 10SI  |
| 1102842  | 10SI  |
| 1102845  | 10SI  |
| 1102846  | 10SI  |
| 1102847  | 10SI  |
| 1102848  | 10SI  |
| 1102849  | 10SI  |
| 1102850  | 10SI  |
| 1102851  | 10SI  |
| 1102852  | 10SI  |
| 1102853  | 10SI  |
| 1102854  | 10SI  |
| 1102856  | 10SI  |
| 1102857  | 10SI  |
| 1102858  | 10SI  |
| 1102859  | 10SI  |
| 1102860  | 10SI  |
| 1102861  | 10SI  |
| 1102862  | 10SI  |
| 1102866  | 10SI  |
| 1102867  | 10SI  |
| 1102869  | 10SI  |
| 1102881  | 10SI  |
| 1102882  | 10SI  |
| 1102883  | 10SI  |
| 1102884  | 10SI  |
| 1102885  | 10SI  |
| 1102886  | 10SI  |
| 1102887  | 10SI  |
| 1102888  | 10SI  |
| 1102889  | 10SI  |
| 1102891  | 10SI  |
| 1102892  | 10SI  |
| 1102893  | 10SI  |
| 1102897  | 10SI  |
| 1102901  | 10SI  |
| 1102902  | 10SI  |
| 1102903  | 10SI  |
| 1102904  | 10SI  |
| 1102905  | 10SI  |
| 1102906  | 10SI  |
| 1102908  | 10SI  |
| 1102909  | 10SI  |
| 1102910  | 10SI  |

# Model Index

| Part No. | Model | Part No. | Model | Part No. | Model | Part No. | Model |
|----------|-------|----------|-------|----------|-------|----------|-------|
| 1102911  | 10SI  | 1103091  | 10SI  | 1105043  | 10SI  | 1105360  | 10SI  |
| 1102913  | 10SI  | 1103092  | 10SI  | 1105044  | 12SI  | 1105365  | 10SI  |
| 1102915  | 10SI  | 1103093  | 10SI  | 1105045  | 12SI  | 1105366  | 17SI  |
| 1102924  | 10SI  | 1103094  | 10SI  | 1105046  | 12SI  | 1105367  | 12SI  |
| 1102931  | 10SI  | 1103095  | 10SI  | 1105047  | 12SI  | 1105368  | 12SI  |
| 1102941  | 10SI  | 1103096  | 10SI  | 1105048  | 12SI  | 1105370  | 12SI  |
| 1103034  | 10SI  | 1103100  | 10SI  | 1105049  | 12SI  | 1105371  | 12SI  |
| 1103036  | 10SI  | 1103101  | 10SI  | 1105050  | 10SI  | 1105372  | 12SI  |
| 1103037  | 10SI  | 1103102  | 10SI  | 1105058  | 12SI  | 1105373  | 17SI  |
| 1103039  | 10SI  | 1103103  | 10SI  | 1105059  | 12SI  | 1105374  | 15SI  |
| 1103040  | 10SI  | 1103104  | 10SI  | 1105060  | 12SI  | 1105402  | 12SI  |
| 1103041  | 10SI  | 1103105  | 10SI  | 1105067  | 10SI  | 1105416  | 17SI  |
| 1103042  | 10SI  | 1103106  | 10SI  | 1105079  | 10SI  | 1105425  | 12SI  |
| 1103043  | 10SI  | 1103111  | 10SI  | 1105080  | 10SI  | 1105426  | 12SI  |
| 1103044  | 10SI  | 1103112  | 10SI  | 1105081  | 12SI  | 1105427  | 12SI  |
| 1103045  | 10SI  | 1103117  | 10SI  | 1105082  | 12SI  | 1105428  | 12SI  |
| 1103047  | 10SI  | 1103118  | 10SI  | 1105083  | 12SI  | 1105439  | 12SI  |
| 1103048  | 10SI  | 1103119  | 10SI  | 1105084  | 12SI  | 1105440  | 12SI  |
| 1103049  | 10SI  | 1103120  | 10SI  | 1105085  | 17SI  | 1105441  | 12SI  |
| 1103050  | 10SI  | 1103121  | 10SI  | 1105091  | 12SI  | 1105443  | 12SI  |
| 1103051  | 10SI  | 1103122  | 10SI  | 1105092  | 12SI  | 1105444  | 12SI  |
| 1103052  | 10SI  | 1103136  | 10SI  | 1105161  | 10SI  | 1105446  | 12SI  |
| 1103053  | 10SI  | 1103137  | 10SI  | 1105183  | 12SI  | 1105447  | 12SI  |
| 1103055  | 10SI  | 1103139  | 10SI  | 1105185  | 10SI  | 1105449  | 12SI  |
| 1103056  | 10SI  | 1103140  | 10SI  | 1105186  | 15SI  | 1105450  | 17SI  |
| 1103057  | 10SI  | 1103142  | 10SI  | 1105189  | 15SI  | 1105451  | 17SI  |
| 1103058  | 10SI  | 1103143  | 10SI  | 1105190  | 15SI  | 1105455  | 10SI  |
| 1103059  | 10SI  | 1103144  | 10SI  | 1105193  | 10SI  | 1105456  | 10SI  |
| 1103060  | 10SI  | 1103145  | 10SI  | 1105194  | 12SI  | 1105457  | 10SI  |
| 1103061  | 10SI  | 1103146  | 10SI  | 1105195  | 10SI  | 1105458  | 10SI  |
| 1103062  | 10SI  | 1103147  | 10SI  | 1105200  | 15SI  | 1105479  | 17SI  |
| 1103063  | 10SI  | 1103148  | 10SI  | 1105243  | 15SI  | 1105480  | 12SI  |
| 1103064  | 10SI  | 1103149  | 10SI  | 1105244  | 10SI  | 1105481  | 17SI  |
| 1103065  | 10SI  | 1103151  | 10SI  | 1105245  | 12SI  | 1105481  | 17SI  |
| 1103066  | 10SI  | 1103152  | 10SI  | 1105246  | 15SI  | 1105491  | 17SI  |
| 1103067  | 10SI  | 1103153  | 10SI  | 1105329  | 15SI  | 1105492  | 12SI  |
| 1103068  | 10SI  | 1103154  | 10SI  | 1105332  | 15SI  | 1105493  | 12SI  |
| 1103069  | 10SI  | 1103155  | 10SI  | 1105334  | 15SI  | 1105494  | 12SI  |
| 1103070  | 10SI  | 1103156  | 10SI  | 1105335  | 15SI  | 1105495  | 12SI  |
| 1103073  | 10SI  | 1103157  | 10SI  | 1105336  | 15SI  | 1105496  | 12SI  |
| 1103074  | 10SI  | 1103161  | 10SI  | 1105337  | 15SI  | 1105497  | 17SI  |
| 1103075  | 10SI  | 1103162  | 10SI  | 1105338  | 15SI  | 1105503  | 12SI  |
| 1103076  | 10SI  | 1103169  | 10SI  | 1105339  | 15SI  | 1105504  | 12SI  |
| 1103078  | 10SI  | 1103170  | 10SI  | 1105340  | 15SI  | 1105505  | 10SI  |
| 1103079  | 10SI  | 1103182  | 10SI  | 1105341  | 15SI  | 1105506  | 12SI  |
| 1103080  | 10SI  | 1103186  | 10SI  | 1105343  | 15SI  | 1105507  | 12SI  |
| 1103081  | 10SI  | 1103187  | 10SI  | 1105345  | 27SI  | 1105508  | 12SI  |
| 1103082  | 10SI  | 1103195  | 10SI  | 1105346  | 15SI  | 1105509  | 17SI  |
| 1103083  | 10SI  | 1103197  | 10SI  | 1105347  | 15SI  | 1105511  | 12SI  |
| 1103084  | 10SI  | 1105022  | 12SI  | 1105348  | 10SI  | 1105512  | 15SI  |
| 1103085  | 10SI  | 1105023  | 12SI  | 1105351  | 10SI  | 1105513  | 17SI  |
| 1103086  | 10SI  | 1105029  | 12SI  | 1105354  | 10SI  | 1105515  | 17SI  |
| 1103088  | 10SI  | 1105032  | 12SI  | 1105355  | 12SI  | 1105516  | 12SI  |
| 1103089  | 10SI  | 1105034  | 12SI  | 1105356  | 10SI  | 1105517  | 12SI  |
| 1103090  | 10SI  | 1105036  | 12SI  | 1105357  | 10SI  | 1105518  | 15SI  |
|          |       |          |       |          |       | 1105519  | 15SI  |

# Model Index

| Part No. | Model |
|----------|-------|
| 1105521  | 12SI  |
| 1105522  | 10SI  |
| 1105523  | 12SI  |
| 1105541  | 12SI  |
| 1105542  | 12SI  |
| 1105543  | 12SI  |
| 1105544  | 12SI  |
| 1105545  | 12SI  |
| 1105547  | 12SI  |
| 1105549  | 17SI  |
| 1105552  | 15SI  |
| 1105553  | 17SI  |
| 1105555  | 12SI  |
| 1105556  | 10SI  |
| 1105561  | 12SI  |
| 1105562  | 12SI  |
| 1105564  | 12SI  |
| 1105565  | 12SI  |
| 1105569  | 12SI  |
| 1105570  | 17SI  |
| 1105572  | 12SI  |
| 1105575  | 12SI  |
| 1105576  | 12SI  |
| 1105580  | 12SI  |
| 1105581  | 12SI  |
| 1105582  | 12SI  |
| 1105585  | 17SI  |
| 1105587  | 17SI  |
| 1105588  | 12SI  |
| 1105590  | 12SI  |
| 1105591  | 12SI  |
| 1105592  | 12SI  |
| 1105594  | 12SI  |
| 1105595  | 17SI  |
| 1105596  | 17SI  |
| 1105597  | 12SI  |
| 1105598  | 12SI  |
| 1105599  | 12SI  |
| 1105600  | 12SI  |
| 1105602  | 12SI  |
| 1105603  | 12SI  |
| 1105604  | 12SI  |
| 1105606  | 12SI  |
| 1105607  | 10SI  |
| 1105608  | 10SI  |
| 1105610  | 12SI  |
| 1105611  | 12SI  |
| 1105617  | 12SI  |
| 1105618  | 17SI  |
| 1105620  | 12SI  |
| 1105621  | 12SI  |
| 1105622  | 15SI  |
| 1105623  | 12SI  |
| 1105624  | 12SI  |
| 1105627  | 12SI  |

| Part No. | Model |
|----------|-------|
| 1105628  | 12SI  |
| 1105629  | 12SI  |
| 1105630  | 12SI  |
| 1105631  | 12SI  |
| 1105632  | 12SI  |
| 1105633  | 12SI  |
| 1105634  | 12SI  |
| 1105635  | 12SI  |
| 1105637  | 27SI  |
| 1105639  | 17SI  |
| 1105647  | 12SI  |
| 1105648  | 12SI  |
| 1105649  | 10SI  |
| 1105650  | 12SI  |
| 1105651  | 12SI  |
| 1105652  | 12SI  |
| 1105653  | 12SI  |
| 1105654  | 12SI  |
| 1105656  | 17SI  |
| 1105673  | 12SI  |
| 1105674  | 12SI  |
| 1105675  | 12SI  |
| 1105676  | 12SI  |
| 1105677  | 10SI  |
| 1105680  | 17SI  |
| 1105681  | 17SI  |
| 1105683  | 17SI  |
| 1105690  | 17SI  |
| 1105691  | 10SI  |
| 1105692  | 12SI  |
| 1105693  | 27SI  |
| 1105703  | 10SI  |
| 1105704  | 10SI  |
| 1105705  | 10SI  |
| 1105706  | 12SI  |
| 1105707  | 12SI  |
| 1105708  | 12SI  |
| 1105709  | 27SI  |
| 1107230  | 10MT  |
| 1107514  | 20MT  |
| 1107539  | 20MT  |
| 1107540  | 20MT  |
| 1107588  | 20MT  |
| 1107872  | 20MT  |
| 1108195  | 8MT   |
| 1108225  | 10MT  |
| 1108278  | 10MT  |
| 1108348  | 10MT  |
| 1108361  | 10MT  |
| 1108384  | 10MT  |
| 1108386  | 10MT  |
| 1108429  | 10MT  |
| 1108445  | 10MT  |
| 1108488  | 10MT  |
| 1108519  | 10MT  |

| Part No. | Model |
|----------|-------|
| 1108692  | 20MT  |
| 1108697  | 20MT  |
| 1108743  | 10MT  |
| 1108769  | 10MT  |
| 1108771  | 8MT   |
| 1108772  | 8MT   |
| 1108797  | 10MT  |
| 1109032  | 10MT  |
| 1109036  | 10MT  |
| 1109056  | 10MT  |
| 1109079  | 10MT  |
| 1109216  | 27MT  |
| 1109219  | 27MT  |
| 1109222  | 50MT  |
| 1109223  | 50MT  |
| 1109253  | 25MT  |
| 1109258  | 25MT  |
| 1109275  | 50MT  |
| 1109277  | 50MT  |
| 1109278  | 50MT  |
| 1109279  | 50MT  |
| 1109280  | 50MT  |
| 1109284  | 50MT  |
| 1109285  | 50MT  |
| 1109287  | 50MT  |
| 1109288  | 50MT  |
| 1109289  | 50MT  |
| 1109290  | 50MT  |
| 1109291  | 50MT  |
| 1109292  | 50MT  |
| 1109293  | 50MT  |
| 1109295  | 50MT  |
| 1109296  | 50MT  |
| 1109298  | 50MT  |
| 1109399  | 10MT  |
| 1109411  | 8MT   |
| 1109412  | 8MT   |
| 1109414  | 8MT   |
| 1109416  | 8MT   |
| 1109493  | 50MT  |
| 1109494  | 50MT  |
| 1109540  | 20MT  |
| 1109545  | 50MT  |
| 1109550  | 27MT  |
| 1109553  | 50MT  |
| 1109554  | 50MT  |
| 1109555  | 50MT  |
| 1109563  | 27MT  |
| 1109625  | 50MT  |
| 1109629  | 50MT  |
| 1109630  | 50MT  |
| 1109631  | 50MT  |
| 1109633  | 50MT  |
| 1109636  | 50MT  |
| 1109638  | 50MT  |

| Part No. | Model |
|----------|-------|
| 1109642  | 50MT  |
| 1109643  | 50MT  |
| 1109646  | 50MT  |
| 1109647  | 50MT  |
| 1109649  | 50MT  |
| 1109755  | 50MT  |
| 1109756  | 50MT  |
| 1109759  | 50MT  |
| 1109768  | 50MT  |
| 1109771  | 50MT  |
| 1109772  | 50MT  |
| 1109774  | 50MT  |
| 1109775  | 50MT  |
| 1109776  | 50MT  |
| 1109777  | 50MT  |
| 1109780  | 50MT  |
| 1109781  | 50MT  |
| 1109782  | 50MT  |
| 1109788  | 50MT  |
| 1109789  | 50MT  |
| 1109790  | 50MT  |
| 1109791  | 50MT  |
| 1109796  | 50MT  |
| 1109797  | 50MT  |
| 1109798  | 50MT  |
| 1109799  | 50MT  |
| 1109830  | 50MT  |
| 1109833  | 50MT  |
| 1109834  | 50MT  |
| 1109836  | 50MT  |
| 1109837  | 50MT  |
| 1109838  | 50MT  |
| 1109839  | 50MT  |
| 1109840  | 50MT  |
| 1109841  | 50MT  |
| 1109842  | 50MT  |
| 1109843  | 50MT  |
| 1109844  | 50MT  |
| 1109845  | 50MT  |
| 1109846  | 50MT  |
| 1109961  | 50MT  |
| 1109965  | 50MT  |
| 1109971  | 50MT  |
| 1109972  | 50MT  |
| 1109977  | 50MT  |
| 1109978  | 50MT  |
| 1109979  | 50MT  |
| 1109980  | 50MT  |
| 1109986  | 50MT  |
| 1109988  | 50MT  |
| 1109997  | 50MT  |
| 1113059  | 30MT  |
| 1113089  | 30MT  |
| 1113150  | 30MT  |
| 1113153  | 30MT  |

# Model Index

| Part No. | Model | Part No. | Model | Part No. | Model | Part No. | Model |
|----------|-------|----------|-------|----------|-------|----------|-------|
| 1113183  | 30MT  | 1113883  | 40MT  | 1113997  | 40MT  | 1114145  | 40MT  |
| 1113202  | 30MT  | 1113887  | 40MT  | 1113998  | 40MT  | 1114147  | 40MT  |
| 1113216  | 30MT  | 1113892  | 40MT  | 1113999  | 40MT  | 1114148  | 40MT  |
| 1113229  | 30MT  | 1113893  | 40MT  | 1114023  | 40MT  | 1114150  | 40MT  |
| 1113236  | 30MT  | 1113894  | 40MT  | 1114041  | 40MT  | 1114151  | 40MT  |
| 1113245  | 30MT  | 1113895  | 40MT  | 1114046  | 40MT  | 1114157  | 40MT  |
| 1113267  | 28MT  | 1113898  | 40MT  | 1114055  | 40MT  | 1114160  | 40MT  |
| 1113269  | 28MT  | 1113900  | 40MT  | 1114056  | 40MT  | 1114164  | 40MT  |
| 1113270  | 28MT  | 1113901  | 40MT  | 1114058  | 40MT  | 1114165  | 40MT  |
| 1113271  | 28MT  | 1113902  | 40MT  | 1114059  | 40MT  | 1114170  | 40MT  |
| 1113273  | 28MT  | 1113903  | 40MT  | 1114064  | 40MT  | 1114172  | 40MT  |
| 1113274  | 28MT  | 1113904  | 40MT  | 1114070  | 40MT  | 1114183  | 40MT  |
| 1113275  | 28MT  | 1113905  | 40MT  | 1114071  | 40MT  | 1114187  | 40MT  |
| 1113276  | 28MT  | 1113907  | 40MT  | 1114072  | 40MT  | 1114188  | 40MT  |
| 1113277  | 28MT  | 1113914  | 40MT  | 1114076  | 40MT  | 1114193  | 40MT  |
| 1113278  | 28MT  | 1113915  | 40MT  | 1114078  | 40MT  | 1114194  | 40MT  |
| 1113281  | 28MT  | 1113916  | 40MT  | 1114081  | 40MT  | 1114196  | 40MT  |
| 1113282  | 28MT  | 1113917  | 40MT  | 1114084  | 40MT  | 1114198  | 40MT  |
| 1113285  | 28MT  | 1113922  | 40MT  | 1114085  | 40MT  | 1114700  | 40MT  |
| 1113288  | 28MT  | 1113924  | 40MT  | 1114086  | 40MT  | 1114702  | 40MT  |
| 1113289  | 28MT  | 1113925  | 40MT  | 1114087  | 40MT  | 1114703  | 40MT  |
| 1113291  | 28MT  | 1113926  | 40MT  | 1114088  | 40MT  | 1114705  | 40MT  |
| 1113292  | 28MT  | 1113928  | 40MT  | 1114089  | 40MT  | 1114706  | 40MT  |
| 1113295  | 28MT  | 1113929  | 40MT  | 1114090  | 40MT  | 1114707  | 40MT  |
| 1113296  | 28MT  | 1113930  | 40MT  | 1114091  | 40MT  | 1114708  | 40MT  |
| 1113589  | 27MT  | 1113931  | 40MT  | 1114092  | 40MT  | 1114715  | 40MT  |
| 1113590  | 27MT  | 1113933  | 40MT  | 1114095  | 40MT  | 1114718  | 40MT  |
| 1113594  | 27MT  | 1113934  | 40MT  | 1114096  | 40MT  | 1114720  | 40MT  |
| 1113597  | 27MT  | 1113935  | 40MT  | 1114097  | 40MT  | 1114722  | 40MT  |
| 1113793  | 40MT  | 1113938  | 40MT  | 1114098  | 40MT  | 1114723  | 40MT  |
| 1113813  | 40MT  | 1113942  | 40MT  | 1114102  | 40MT  | 1114727  | 40MT  |
| 1113818  | 40MT  | 1113943  | 40MT  | 1114103  | 40MT  | 1114730  | 40MT  |
| 1113824  | 40MT  | 1113944  | 40MT  | 1114104  | 40MT  | 1114734  | 40MT  |
| 1113825  | 40MT  | 1113952  | 40MT  | 1114107  | 40MT  | 1114740  | 40MT  |
| 1113831  | 40MT  | 1113953  | 40MT  | 1114109  | 40MT  | 1114741  | 40MT  |
| 1113835  | 40MT  | 1113955  | 40MT  | 1114111  | 40MT  | 1114742  | 40MT  |
| 1113842  | 40MT  | 1113956  | 40MT  | 1114112  | 40MT  | 1114744  | 40MT  |
| 1113844  | 40MT  | 1113957  | 40MT  | 1114113  | 40MT  | 1114745  | 40MT  |
| 1113845  | 40MT  | 1113958  | 40MT  | 1114117  | 40MT  | 1114746  | 40MT  |
| 1113846  | 40MT  | 1113959  | 40MT  | 1114118  | 40MT  | 1114747  | 40MT  |
| 1113847  | 40MT  | 1113965  | 40MT  | 1114119  | 40MT  | 1114751  | 40MT  |
| 1113849  | 40MT  | 1113966  | 40MT  | 1114120  | 40MT  | 1114752  | 40MT  |
| 1113850  | 40MT  | 1113970  | 40MT  | 1114121  | 40MT  | 1114758  | 40MT  |
| 1113851  | 40MT  | 1113972  | 40MT  | 1114122  | 40MT  | 1114759  | 40MT  |
| 1113855  | 40MT  | 1113973  | 40MT  | 1114124  | 40MT  | 1114760  | 40MT  |
| 1113858  | 40MT  | 1113975  | 40MT  | 1114127  | 40MT  | 1114762  | 40MT  |
| 1113861  | 40MT  | 1113976  | 40MT  | 1114128  | 40MT  | 1114766  | 40MT  |
| 1113862  | 40MT  | 1113978  | 40MT  | 1114129  | 40MT  | 1114768  | 40MT  |
| 1113864  | 40MT  | 1113980  | 40MT  | 1114130  | 40MT  | 1114769  | 40MT  |
| 1113866  | 40MT  | 1113982  | 40MT  | 1114133  | 40MT  | 1114770  | 40MT  |
| 1113867  | 40MT  | 1113989  | 40MT  | 1114136  | 40MT  | 1114771  | 40MT  |
| 1113868  | 40MT  | 1113991  | 40MT  | 1114138  | 40MT  | 1114772  | 40MT  |
| 1113872  | 40MT  | 1113992  | 40MT  | 1114139  | 40MT  | 1114773  | 40MT  |
| 1113876  | 40MT  | 1113993  | 40MT  | 1114140  | 40MT  | 1114775  | 40MT  |
| 1113879  | 40MT  | 1113994  | 40MT  | 1114143  | 40MT  | 1114776  | 40MT  |



# Model Index

| Part No. | Model |
|----------|-------|
| 1114781  | 40MT  |
| 1114782  | 40MT  |
| 1114783  | 40MT  |
| 1114784  | 40MT  |
| 1114787  | 40MT  |
| 1114788  | 40MT  |
| 1114789  | 40MT  |
| 1114790  | 40MT  |
| 1114792  | 40MT  |
| 1114796  | 40MT  |
| 1114799  | 40MT  |
| 1114801  | 40MT  |
| 1114803  | 40MT  |
| 1114805  | 40MT  |
| 1114806  | 40MT  |
| 1114810  | 40MT  |
| 1114811  | 40MT  |
| 1114812  | 40MT  |
| 1114813  | 40MT  |
| 1114814  | 40MT  |
| 1114815  | 40MT  |
| 1114816  | 40MT  |
| 1114817  | 40MT  |
| 1114818  | 40MT  |
| 1114819  | 40MT  |
| 1114820  | 40MT  |
| 1114821  | 40MT  |
| 1114823  | 40MT  |
| 1114824  | 40MT  |
| 1114826  | 40MT  |
| 1114828  | 40MT  |
| 1114829  | 40MT  |
| 1114831  | 40MT  |
| 1114832  | 40MT  |
| 1114833  | 40MT  |
| 1114834  | 40MT  |
| 1114835  | 40MT  |
| 1114836  | 40MT  |
| 1114840  | 40MT  |
| 1114842  | 40MT  |
| 1114843  | 40MT  |
| 1114845  | 40MT  |
| 1114846  | 40MT  |
| 1114847  | 40MT  |
| 1114848  | 40MT  |
| 1114849  | 40MT  |
| 1114851  | 40MT  |
| 1114852  | 40MT  |
| 1114853  | 40MT  |
| 1114854  | 40MT  |
| 1114855  | 40MT  |
| 1114856  | 40MT  |
| 1114858  | 40MT  |
| 1114859  | 40MT  |
| 1114860  | 40MT  |

| Part No. | Model |
|----------|-------|
| 1114861  | 40MT  |
| 1114862  | 40MT  |
| 1114863  | 40MT  |
| 1114864  | 40MT  |
| 1114871  | 40MT  |
| 1114872  | 40MT  |
| 1114873  | 40MT  |
| 1114876  | 40MT  |
| 1114878  | 40MT  |
| 1114879  | 40MT  |
| 1114880  | 40MT  |
| 1114883  | 40MT  |
| 1114884  | 40MT  |
| 1114885  | 40MT  |
| 1114886  | 40MT  |
| 1114887  | 40MT  |
| 1114888  | 40MT  |
| 1114892  | 40MT  |
| 1114893  | 40MT  |
| 1114894  | 40MT  |
| 1114895  | 40MT  |
| 1114896  | 40MT  |
| 1114897  | 40MT  |
| 1114898  | 40MT  |
| 1114899  | 40MT  |
| 1114903  | 40MT  |
| 1114905  | 40MT  |
| 1114906  | 40MT  |
| 1114907  | 40MT  |
| 1114909  | 40MT  |
| 1114910  | 40MT  |
| 1114911  | 40MT  |
| 1114915  | 40MT  |
| 1114916  | 40MT  |
| 1114917  | 40MT  |
| 1114918  | 40MT  |
| 1114919  | 40MT  |
| 1114920  | 40MT  |
| 1114922  | 40MT  |
| 1114923  | 40MT  |
| 1114927  | 40MT  |
| 1114928  | 40MT  |
| 1114934  | 40MT  |
| 1114935  | 40MT  |
| 1114936  | 40MT  |
| 1114937  | 40MT  |
| 1114938  | 40MT  |
| 1114939  | 40MT  |
| 1114940  | 40MT  |
| 1114941  | 40MT  |
| 1114942  | 40MT  |
| 1114943  | 40MT  |
| 1114944  | 40MT  |
| 1114945  | 40MT  |
| 1114950  | 40MT  |

| Part No. | Model |
|----------|-------|
| 1114951  | 40MT  |
| 1114956  | 40MT  |
| 1114958  | 40MT  |
| 1114960  | 40MT  |
| 1114961  | 40MT  |
| 1114963  | 40MT  |
| 1114964  | 40MT  |
| 1114965  | 40MT  |
| 1114966  | 40MT  |
| 1114968  | 40MT  |
| 1114970  | 40MT  |
| 1114972  | 40MT  |
| 1114975  | 40MT  |
| 1114976  | 40MT  |
| 1114977  | 40MT  |
| 1114979  | 40MT  |
| 1114981  | 40MT  |
| 1114984  | 40MT  |
| 1114985  | 40MT  |
| 1114986  | 40MT  |
| 1114987  | 40MT  |
| 1114988  | 40MT  |
| 1114989  | 40MT  |
| 1114990  | 40MT  |
| 1114991  | 40MT  |
| 1114992  | 40MT  |
| 1114993  | 40MT  |
| 1114999  | 40MT  |
| 1117067  | 30SI  |
| 1117068  | 30SI  |
| 1117069  | 25SI  |
| 1117166  | 50DN  |
| 1117167  | 50DN  |
| 1117225  | 25SI  |
| 1117226  | 25SI  |
| 1117227  | 25SI  |
| 1117228  | 25SI  |
| 1117229  | 25SI  |
| 1117231  | 25SI  |
| 1117232  | 25SI  |
| 1117233  | 25SI  |
| 1117234  | 25SI  |
| 1117235  | 25SI  |
| 1117236  | 25SI  |
| 1117237  | 25SI  |
| 1117238  | 25SI  |
| 1117239  | 25SI  |
| 1117240  | 25SI  |
| 1117241  | 25SI  |
| 1117242  | 25SI  |
| 1117243  | 25SI  |
| 1117244  | 25SI  |
| 1117248  | 25SI  |
| 1117249  | 25SI  |
| 1117250  | 25SI  |

| Part No. | Model |
|----------|-------|
| 1117251  | 25SI  |
| 1117253  | 25SI  |
| 1117254  | 25SI  |
| 1117255  | 25SI  |
| 1117256  | 25SI  |
| 1117258  | 25SI  |
| 1117259  | 25SI  |
| 1117261  | 25SI  |
| 1117262  | 25SI  |
| 1117263  | 25SI  |
| 1117264  | 25SI  |
| 1117265  | 25SI  |
| 1117266  | 25SI  |
| 1117267  | 25SI  |
| 1117268  | 25SI  |
| 1117269  | 25SI  |
| 1117270  | 25SI  |
| 1117271  | 25SI  |
| 1117272  | 25SI  |
| 1117276  | 25SI  |
| 1117277  | 25SI  |
| 1117278  | 25SI  |
| 1117279  | 25SI  |
| 1117481  | 30SI  |
| 1117483  | 30SI  |
| 1117484  | 30SI  |
| 1117485  | 30SI  |
| 1117611  | 20SI  |
| 1117612  | 20SI  |
| 1117613  | 20SI  |
| 1117614  | 20SI  |
| 1117615  | 20SI  |
| 1117616  | 20SI  |
| 1117618  | 20SI  |
| 1117619  | 20SI  |
| 1117621  | 20SI  |
| 1117622  | 20SI  |
| 1117623  | 20SI  |
| 1117624  | 20SI  |
| 1117628  | 20SI  |
| 1117630  | 20SI  |
| 1117631  | 20SI  |
| 1117640  | 20SI  |
| 1117641  | 20SI  |
| 1117642  | 20SI  |
| 1117643  | 20SI  |
| 1117644  | 20SI  |
| 1117645  | 20SI  |
| 1117647  | 20SI  |
| 1117648  | 30SI  |
| 1117649  | 30SI  |
| 1117650  | 20SI  |
| 1117655  | 20SI  |
| 1117672  | 50DN  |
| 1117680  | 50DN  |

# Model Index

| Part No. | Model | Part No. | Model | Part No. | Model | Part No. | Model |
|----------|-------|----------|-------|----------|-------|----------|-------|
| 1117689  | 50DN  | 1117836  | 30SI  | 1117923  | 21SI  | 1977193  | 5MT   |
| 1117692  | 50DN  | 1117838  | 30SI  | 1117924  | 21SI  | 1977194  | 5MT   |
| 1117693  | 50DN  | 1117839  | 30SI  | 1117925  | 21SI  | 1978772  | 5MT   |
| 1117695  | 50DN  | 1117850  | 50DN  | 1117926  | 21SI  | 1979868  | 27SI  |
| 1117700  | 50DN  | 1117851  | 50DN  | 1117927  | 21SI  | 1984277  | 27SI  |
| 1117702  | 50DN  | 1117852  | 50DN  | 1117928  | 21SI  | 1984535  | 27MT  |
| 1117703  | 50DN  | 1117853  | 50DN  | 1117929  | 21SI  | 1985737  | 5MT   |
| 1117705  | 50DN  | 1117856  | 50DN  | 1117931  | 21SI  | 1987287  | 5MT   |
| 1117706  | 50DN  | 1117859  | 50DN  | 1117932  | 21SI  | 1987288  | 5MT   |
| 1117707  | 50DN  | 1117861  | 50DN  | 1117933  | 21SI  | 1987289  | 10MT  |
| 1117708  | 50DN  | 1117862  | 50DN  | 1117934  | 21SI  | 1987332  | 5MT   |
| 1117732  | 30SI  | 1117863  | 50DN  | 1117936  | 21SI  | 1987494  | 5MT   |
| 1117733  | 30SI  | 1117864  | 50DN  | 1117937  | 21SI  | 1987495  | 5MT   |
| 1117734  | 30SI  | 1117865  | 50DN  | 1117938  | 21SI  | 1987496  | 10MT  |
| 1117736  | 30SI  | 1117866  | 50DN  | 1117939  | 21SI  | 1988602  | 10MT  |
| 1117739  | 50DN  | 1117867  | 50DN  | 1117940  | 21SI  | 1988604  | 10MT  |
| 1117740  | 50DN  | 1117878  | 50DN  | 1117941  | 21SI  | 1988605  | 10MT  |
| 1117742  | 30SI  | 1117879  | 50DN  | 1117942  | 21SI  | 1988710  | 10MT  |
| 1117744  | 30SI  | 1117880  | 21SI  | 1117943  | 21SI  | 1988711  | 10MT  |
| 1117746  | 30SI  | 1117884  | 21SI  | 1117944  | 21SI  | 1988714  | 10MT  |
| 1117747  | 30SI  | 1117885  | 21SI  | 1117945  | 21SI  | 1988715  | 10MT  |
| 1117748  | 50DN  | 1117886  | 21SI  | 1117946  | 21SI  | 1988716  | 5MT   |
| 1117749  | 50DN  | 1117887  | 21SI  | 1117947  | 21SI  | 1988717  | 5MT   |
| 1117790  | 50DN  | 1117888  | 21SI  | 1117948  | 21SI  | 1988719  | 5MT   |
| 1117791  | 50DN  | 1117890  | 21SI  | 1117949  | 21SI  | 1988720  | 5MT   |
| 1117792  | 50DN  | 1117891  | 21SI  | 1117950  | 21SI  | 1988722  | 5MT   |
| 1117794  | 50DN  | 1117892  | 21SI  | 1117951  | 21SI  | 1988724  | 5MT   |
| 1117795  | 50DN  | 1117894  | 21SI  | 1117952  | 21SI  | 1988725  | 5MT   |
| 1117796  | 50DN  | 1117895  | 21SI  | 1117953  | 21SI  | 1989449  | 27MT  |
| 1117799  | 50DN  | 1117896  | 21SI  | 1117954  | 21SI  | 1989453  | 5MT   |
| 1117800  | 30SI  | 1117897  | 21SI  | 1117955  | 21SI  | 1989454  | 5MT   |
| 1117801  | 30SI  | 1117898  | 21SI  | 1117956  | 21SI  | 1990200  | 40MT  |
| 1117803  | 30SI  | 1117899  | 21SI  | 1117957  | 21SI  | 1990201  | 40MT  |
| 1117804  | 30SI  | 1117900  | 21SI  | 1117958  | 21SI  | 1990202  | 40MT  |
| 1117805  | 30SI  | 1117902  | 21SI  | 1117959  | 21SI  | 1990205  | 40MT  |
| 1117806  | 30SI  | 1117903  | 21SI  | 1117960  | 21SI  | 1990208  | 40MT  |
| 1117807  | 30SI  | 1117904  | 21SI  | 1117961  | 21SI  | 1990209  | 40MT  |
| 1117808  | 30SI  | 1117905  | 21SI  | 1117962  | 21SI  | 1990210  | 40MT  |
| 1117809  | 30SI  | 1117906  | 21SI  | 1117963  | 21SI  | 1990220  | 40MT  |
| 1117811  | 30SI  | 1117907  | 21SI  | 1117964  | 21SI  | 1990221  | 40MT  |
| 1117812  | 30SI  | 1117908  | 21SI  | 1117965  | 21SI  | 1990222  | 40MT  |
| 1117813  | 30SI  | 1117909  | 21SI  | 1117966  | 21SI  | 1990223  | 40MT  |
| 1117816  | 30SI  | 1117910  | 21SI  | 1876549  | 10MT  | 1990224  | 40MT  |
| 1117817  | 30SI  | 1117911  | 21SI  | 1970445  | 10MT  | 1990225  | 50MT  |
| 1117818  | 30SI  | 1117912  | 21SI  | 1972711  | 10SI  | 1990226  | 50MT  |
| 1117819  | 30SI  | 1117913  | 21SI  | 1977068  | 10MT  | 1990229  | 50MT  |
| 1117820  | 30SI  | 1117914  | 21SI  | 1977070  | 10MT  | 1990230  | 50MT  |
| 1117821  | 30SI  | 1117915  | 21SI  | 1977076  | 10MT  | 1990231  | 50MT  |
| 1117822  | 30SI  | 1117916  | 21SI  | 1977079  | 10MT  | 1990233  | 50MT  |
| 1117823  | 30SI  | 1117917  | 21SI  | 1977081  | 10MT  | 1990234  | 50MT  |
| 1117825  | 30SI  | 1117918  | 21SI  | 1977082  | 10MT  | 1990235  | 50MT  |
| 1117826  | 30SI  | 1117919  | 21SI  | 1977084  | 10MT  | 1990236  | 50MT  |
| 1117830  | 30SI  | 1117920  | 21SI  | 1977091  | 10MT  | 1990237  | 50MT  |
| 1117831  | 30SI  | 1117921  | 21SI  | 1977191  | 5MT   | 1990238  | 50MT  |
| 1117833  | 30SI  | 1117922  | 21SI  | 1977192  | 5MT   | 1990239  | 50MT  |

# Model Index

| Part No. | Model |
|----------|-------|
| 1990242  | 50MT  |
| 1990244  | 50MT  |
| 1990246  | 50MT  |
| 1990248  | 50MT  |
| 1990249  | 50MT  |
| 1990250  | 50MT  |
| 1990251  | 50MT  |
| 1990253  | 50MT  |
| 1990254  | 50MT  |
| 1990255  | 50MT  |
| 1990256  | 50MT  |
| 1990257  | 50MT  |
| 1990258  | 50MT  |
| 1990259  | 50MT  |
| 1990260  | 50MT  |
| 1990261  | 50MT  |
| 1990262  | 50MT  |
| 1990263  | 50MT  |
| 1990264  | 50MT  |
| 1990266  | 50MT  |
| 1990267  | 50MT  |
| 1990269  | 50MT  |
| 1990270  | 50MT  |
| 1990271  | 50MT  |
| 1990272  | 50MT  |
| 1990273  | 50MT  |
| 1990274  | 50MT  |
| 1990276  | 50MT  |
| 1990277  | 50MT  |
| 1990278  | 50MT  |
| 1990279  | 40MT  |
| 1990281  | 40MT  |
| 1990282  | 40MT  |
| 1990283  | 40MT  |
| 1990284  | 50MT  |
| 1990288  | 50MT  |
| 1990289  | 50MT  |
| 1990290  | 40MT  |
| 1990291  | 50MT  |
| 1990296  | 40MT  |
| 1990297  | 40MT  |
| 1990298  | 50MT  |
| 1990300  | 40MT  |
| 1990302  | 40MT  |
| 1990303  | 40MT  |
| 1990304  | 40MT  |
| 1990306  | 40MT  |
| 1990307  | 40MT  |
| 1990308  | 37MT  |
| 1990309  | 37MT  |
| 1990310  | 37MT  |
| 1990312  | 37MT  |
| 1990313  | 37MT  |
| 1990316  | 37MT  |
| 1990317  | 37MT  |

| Part No. | Model |
|----------|-------|
| 1990318  | 37MT  |
| 1990319  | 37MT  |
| 1990324  | 40MT  |
| 1990325  | 40MT  |
| 1990328  | 40MT  |
| 1990330  | 37MT  |
| 1990332  | 37MT  |
| 1990333  | 50MT  |
| 1990335  | 40MT  |
| 1990336  | 37MT  |
| 1990337  | 42MT  |
| 1990342  | 40MT  |
| 1990343  | 40MT  |
| 1990344  | 42MT  |
| 1990347  | 37MT  |
| 1990348  | 42MT  |
| 1990349  | 42MT  |
| 1990350  | 42MT  |
| 1990352  | 42MT  |
| 1990353  | 42MT  |
| 1990354  | 42MT  |
| 1990355  | 42MT  |
| 1990356  | 42MT  |
| 1990357  | 42MT  |
| 1990358  | 42MT  |
| 1990359  | 42MT  |
| 1990360  | 42MT  |
| 1990361  | 42MT  |
| 1990362  | 42MT  |
| 1990363  | 42MT  |
| 1990364  | 42MT  |
| 1990366  | 42MT  |
| 1990367  | 42MT  |
| 1990368  | 42MT  |
| 1990369  | 42MT  |
| 1990370  | 42MT  |
| 1990371  | 42MT  |
| 1990372  | 42MT  |
| 1990373  | 42MT  |
| 1990374  | 42MT  |
| 1990375  | 42MT  |
| 1990376  | 42MT  |
| 1990377  | 42MT  |
| 1990378  | 42MT  |
| 1990379  | 42MT  |
| 1990382  | 42MT  |
| 1990383  | 42MT  |
| 1990385  | 42MT  |
| 1990386  | 42MT  |
| 1990387  | 42MT  |
| 1990388  | 42MT  |
| 1990391  | 42MT  |
| 1990392  | 42MT  |
| 1990393  | 42MT  |
| 1990394  | 42MT  |

| Part No. | Model |
|----------|-------|
| 1990396  | 42MT  |
| 1990397  | 42MT  |
| 1990398  | 42MT  |
| 1990399  | 42MT  |
| 1990400  | 42MT  |
| 1990401  | 42MT  |
| 1990402  | 42MT  |
| 1990403  | 42MT  |
| 1990404  | 42MT  |
| 1990405  | 42MT  |
| 1990406  | 42MT  |
| 1990407  | 42MT  |
| 1990408  | 42MT  |
| 1990411  | 42MT  |
| 1990413  | 42MT  |
| 1990414  | 42MT  |
| 1990415  | 42MT  |
| 1990416  | 42MT  |
| 1990418  | 42MT  |
| 1990419  | 42MT  |
| 1990420  | 42MT  |
| 1990421  | 42MT  |
| 1990422  | 42MT  |
| 1990423  | 42MT  |
| 1990424  | 42MT  |
| 1990426  | 42MT  |
| 1990427  | 42MT  |
| 1990428  | 42MT  |
| 1990429  | 42MT  |
| 1990431  | 42MT  |
| 1990432  | 42MT  |
| 1990434  | 42MT  |
| 1990436  | 42MT  |
| 1990437  | 42MT  |
| 1990438  | 42MT  |
| 1990446  | 42MT  |
| 1990447  | 42MT  |
| 1990448  | 42MT  |
| 1990449  | 42MT  |
| 1990450  | 42MT  |
| 1990451  | 42MT  |
| 1990453  | 42MT  |
| 1990454  | 42MT  |
| 1990455  | 42MT  |
| 1990456  | 42MT  |
| 1990458  | 42MT  |
| 1990460  | 42MT  |
| 1990462  | 42MT  |
| 1990463  | 42MT  |
| 1990464  | 42MT  |
| 1990466  | 42MT  |
| 1990468  | 42MT  |
| 1990469  | 42MT  |
| 1990470  | 42MT  |
| 1990471  | 42MT  |

| Part No. | Model |
|----------|-------|
| 1990473  | 42MT  |
| 1990474  | 42MT  |
| 1990477  | 42MT  |
| 1990478  | 42MT  |
| 1990481  | 40MT  |
| 1990482  | 40MT  |
| 1990483  | 42MT  |
| 1990484  | 42MT  |
| 1990485  | 42MT  |
| 1990488  | 40MT  |
| 1990489  | 42MT  |
| 1990490  | 42MT  |
| 1990491  | 42MT  |
| 1990492  | 42MT  |
| 1990493  | 42MT  |
| 1990495  | 42MT  |
| 1990496  | 42MT  |
| 1990497  | 42MT  |
| 1990499  | 37MT  |
| 1993700  | 40MT  |
| 1993701  | 37MT  |
| 1993703  | 40MT  |
| 1993705  | 37MT  |
| 1993707  | 37MT  |
| 1993708  | 50MT  |
| 1993711  | 37MT  |
| 1993712  | 37MT  |
| 1993719  | 37MT  |
| 1993721  | 37MT  |
| 1993726  | 37MT  |
| 1993729  | 37MT  |
| 1993732  | 37MT  |
| 1993738  | 37MT  |
| 1993740  | 50MT  |
| 1993741  | 37MT  |
| 1993742  | 37MT  |
| 1993743  | 50MT  |
| 1993745  | 37MT  |
| 1993746  | 37MT  |
| 1993753  | 50MT  |
| 1993754  | 37MT  |
| 1993755  | 37MT  |
| 1993757  | 50MT  |
| 1993758  | 40MT  |
| 1993759  | 37MT  |
| 1993761  | 37MT  |
| 1993767  | 37MT  |
| 1993769  | 37MT  |
| 1993770  | 37MT  |
| 1993772  | 42MT  |
| 1993776  | 42MT  |
| 1993782  | 42MT  |
| 1993783  | 42MT  |
| 1993785  | 42MT  |
| 1993788  | 42MT  |

# Model Index

| Part No. | Model | Part No. | Model | Part No. | Model | Part No. | Model |
|----------|-------|----------|-------|----------|-------|----------|-------|
| 1993789  | 37MT  | 1993881  | 37MT  | 1993998  | 42MT  | 8200030  | 39MT  |
| 1993790  | 37MT  | 1993886  | 37MT  | 1998204  | 10MT  | 8200031  | 39MT  |
| 1993792  | 37MT  | 1993887  | 37MT  | 1998221  | 10MT  | 8200032  | 39MT  |
| 1993794  | 37MT  | 1993894  | 37MT  | 1998230  | 10MT  | 8200033  | 39MT  |
| 1993795  | 42MT  | 1993898  | 37MT  | 1998233  | 10MT  | 8200034  | 39MT  |
| 1993796  | 42MT  | 1993901  | 37MT  | 1998239  | 10MT  | 8200036  | 50MT  |
| 1993797  | 42MT  | 1993902  | 37MT  | 1998257  | 10MT  | 8200037  | 39MT  |
| 1993798  | 50MT  | 1993903  | 37MT  | 1998339  | 22MT  | 8200038  | 39MT  |
| 1993799  | 37MT  | 1993909  | 37MT  | 1998373  | 27MT  | 8200039  | 39MT  |
| 1993800  | 37MT  | 1993910  | 37MT  | 1998376  | 27MT  | 8200040  | 39MT  |
| 1993802  | 42MT  | 1993911  | 37MT  | 1998379  | 27MT  | 8200041  | 39MT  |
| 1993803  | 42MT  | 1993917  | 37MT  | 1998383  | 27MT  | 8200050  | 39MT  |
| 1993804  | 42MT  | 1993918  | 37MT  | 1998387  | 22MT  | 8200053  | 38MT  |
| 1993805  | 42MT  | 1993921  | 37MT  | 1998389  | 22MT  | 8200054  | 29MT  |
| 1993806  | 42MT  | 1993922  | 50MT  | 1998401  | 27MT  | 8200055  | 41MT  |
| 1993808  | 42MT  | 1993924  | 42MT  | 1998433  | 5MT   | 8200058  | 39MT  |
| 1993810  | 42MT  | 1993925  | 42MT  | 1998434  | 5MT   | 8200064  | 29MT  |
| 1993811  | 42MT  | 1993928  | 37MT  | 1998436  | 10MT  | 8200068  | 42MT  |
| 1993812  | 42MT  | 1993930  | 37MT  | 1998440  | 10MT  | 8200071  | 29MT  |
| 1993813  | 42MT  | 1993931  | 37MT  | 1998442  | 27MT  | 8200072  | 38MT  |
| 1993814  | 42MT  | 1993933  | 42MT  | 1998446  | 20MT  | 8200075  | 38MT  |
| 1993815  | 42MT  | 1993934  | 42MT  | 1998455  | 27MT  | 8200076  | 38MT  |
| 1993816  | 42MT  | 1993935  | 42MT  | 1998459  | 27MT  | 8200077  | 38MT  |
| 1993818  | 37MT  | 1993936  | 42MT  | 1998473  | 10MT  | 8200078  | 38MT  |
| 1993820  | 42MT  | 1993937  | 42MT  | 1998474  | 10MT  | 8200080  | 41MT  |
| 1993822  | 42MT  | 1993938  | 42MT  | 1998477  | 5MT   | 8200081  | 39MT  |
| 1993823  | 42MT  | 1993939  | 42MT  | 1998481  | 22MT  | 8200082  | 39MT  |
| 1993824  | 42MT  | 1993940  | 42MT  | 1998482  | 5MT   | 8200083  | 39MT  |
| 1993825  | 50MT  | 1993941  | 42MT  | 1998488  | 27MT  | 8200084  | 39MT  |
| 1993829  | 37MT  | 1993942  | 42MT  | 1998502  | 5MT   | 8200085  | 39MT  |
| 1993831  | 37MT  | 1993943  | 42MT  | 1998503  | 5MT   | 8200086  | 39MT  |
| 1993832  | 37MT  | 1993945  | 42MT  | 1998504  | 5MT   | 8200087  | 39MT  |
| 1993833  | 42MT  | 1993947  | 37MT  | 1998509  | 5MT   | 8200088  | 39MT  |
| 1993835  | 42MT  | 1993953  | 37MT  | 1998510  | 5MT   | 8200089  | 42MT  |
| 1993837  | 37MT  | 1993954  | 37MT  | 1998511  | 5MT   | 8200090  | 39MT  |
| 1993838  | 37MT  | 1993955  | 37MT  | 1998512  | 5MT   | 8200091  | 39MT  |
| 1993840  | 50MT  | 1993957  | 37MT  | 1998514  | 5MT   | 8200095  | 41MT  |
| 1993841  | 50MT  | 1993958  | 37MT  | 1998515  | 5MT   | 8200101  | 39MT  |
| 1993842  | 42MT  | 1993959  | 50MT  | 8200000  | 38MT  | 8200103  | 29MT  |
| 1993848  | 42MT  | 1993960  | 50MT  | 8200003  | 29MT  | 8200104  | 39MT  |
| 1993852  | 50MT  | 1993963  | 37MT  | 8200005  | 38MT  | 8200107  | 41MT  |
| 1993853  | 37MT  | 1993964  | 37MT  | 8200007  | 38MT  | 8200108  | 50MT  |
| 1993854  | 37MT  | 1993968  | 50MT  | 8200009  | 39MT  | 8200110  | 42MT  |
| 1993856  | 42MT  | 1993969  | 37MT  | 8200010  | 29MT  | 8200115  | 42MT  |
| 1993860  | 50MT  | 1993973  | 42MT  | 8200011  | 29MT  | 8200116  | 42MT  |
| 1993862  | 37MT  | 1993974  | 37MT  | 8200016  | 50MT  | 8200117  | 42MT  |
| 1993863  | 42MT  | 1993977  | 42MT  | 8200017  | 50MT  | 8200122  | 42MT  |
| 1993864  | 50MT  | 1993982  | 42MT  | 8200022  | 39MT  | 8200138  | 29MT  |
| 1993865  | 37MT  | 1993983  | 42MT  | 8200023  | 38MT  | 8200163  | 42MT  |
| 1993869  | 37MT  | 1993987  | 42MT  | 8200024  | 38MT  | 8200164  | 42MT  |
| 1993871  | 37MT  | 1993988  | 37MT  | 8200025  | 38MT  | 8200165  | 42MT  |
| 1993873  | 37MT  | 1993993  | 42MT  | 8200026  | 38MT  | 8200168  | 42MT  |
| 1993874  | 37MT  | 1993994  | 37MT  | 8200027  | 39MT  | 8200170  | 39MT  |
| 1993878  | 37MT  | 1993995  | 41MT  | 8200028  | 39MT  | 8200178  | 41MT  |
| 1993880  | 37MT  | 1993997  | 37MT  | 8200029  | 39MT  | 8200182  | 39MT  |

# Model Index

| Part No. | Model |
|----------|-------|
| 8200186  | 39MT  |
| 8200196  | 29MT  |
| 8200197  | 41MT  |
| 8200200  | 39MT  |
| 8200201  | 39MT  |
| 8200205  | 50MT  |
| 8200208  | 50MT  |
| 8200210  | 39MT  |
| 8200211  | 38MT  |
| 8200212  | 42MT  |
| 8200214  | 39MT  |
| 8200215  | 42MT  |
| 8200217  | 38MT  |
| 8200218  | 39MT  |
| 8200219  | 39MT  |
| 8200223  | 39MT  |
| 8200233  | 39MT  |
| 8200235  | 38MT  |
| 8200238  | 39MT  |
| 8200239  | 38MT  |
| 8200242  | 38MT  |
| 8200243  | 39MT  |
| 8200244  | 39MT  |
| 8200247  | 42MT  |
| 8200248  | 42MT  |
| 8200251  | 41MT  |
| 8200252  | 41MT  |
| 8200253  | 42MT  |
| 8200258  | 39MT  |
| 8200268  | 39MT  |
| 8200269  | 38MT  |
| 8200271  | 29MT  |
| 8200272  | 39MT  |
| 8200274  | 39MT  |
| 8200284  | 39MT  |
| 8200285  | 39MT  |
| 8200286  | 50MT  |
| 8200287  | 39MT  |
| 8200288  | 39MT  |
| 8200289  | 39MT  |
| 8200290  | 39MT  |
| 8200291  | 39MT  |
| 8200292  | 29MT  |
| 8200295  | 29MT  |
| 8200296  | 29MT  |
| 8200297  | 29MT  |
| 8200298  | 39MT  |
| 8200300  | 50MT  |
| 8200304  | 39MT  |
| 8200305  | 39MT  |
| 8200306  | 39MT  |
| 8200308  | 39MT  |
| 8200312  | 42MT  |
| 8200313  | 42MT  |
| 8200314  | 39MT  |

| Part No. | Model |
|----------|-------|
| 8200319  | 39MT  |
| 8200321  | 39MT  |
| 8200322  | 38MT  |
| 8200323  | 39MT  |
| 8200324  | 38MT  |
| 8200326  | 29MT  |
| 8200327  | 39MT  |
| 8200329  | 39MT  |
| 8200330  | 39MT  |
| 8200331  | 29MT  |
| 8200337  | 39MT  |
| 8200357  | 29MT  |
| 8200360  | 39MT  |
| 8200371  | 35MT  |
| 8200374  | 35MT  |
| 8200375  | 35MT  |
| 8200386  | 29MT  |
| 8200387  | 29MT  |
| 8200396  | 42MT  |
| 8200400  | 29MT  |
| 8200405  | 39MT  |
| 8200406  | 39MT  |
| 8200409  | 39MT  |
| 8200410  | 39MT  |
| 8200411  | 39MT  |
| 8200412  | 39MT  |
| 8200417  | 39MT  |
| 8200419  | 39MT  |
| 8200420  | 39MT  |
| 8200421  | 39MT  |
| 8200422  | 39MT  |
| 8200425  | 39MT  |
| 8200426  | 39MT  |
| 8200427  | 39MT  |
| 8200428  | 39MT  |
| 8200429  | 39MT  |
| 8200430  | 39MT  |
| 8200431  | 39MT  |
| 8200433  | 39MT  |
| 8200434  | 39MT  |
| 8200435  | 39MT  |
| 8200436  | 39MT  |
| 8200443  | 39MT  |
| 8200444  | 39MT  |
| 8200445  | 39MT  |
| 8200446  | 39MT  |
| 8200447  | 39MT  |
| 8200448  | 39MT  |
| 8200449  | 39MT  |
| 8200450  | 39MT  |
| 8200457  | 39MT  |
| 8200464  | 39MT  |
| 8200468  | 39MT  |
| 8200469  | 39MT  |
| 8200470  | 39MT  |

| Part No. | Model |
|----------|-------|
| 8200474  | 29MT  |
| 8200478  | 29MT  |
| 8200480  | 50MT  |
| 8200486  | 38MT  |
| 8200495  | 29MT  |
| 8200504  | 29MT  |
| 8200511  | 29MT  |
| 8200517  | 42MT  |
| 8200519  | 39MT  |
| 8200521  | 29MT  |
| 8200522  | 39MT  |
| 8200529  | 42MT  |
| 8200567  | 39MT  |
| 8200568  | 39MT  |
| 8200570  | 29MT  |
| 8200571  | 29MT  |
| 8200572  | 39MT  |
| 8200578  | 50MT  |
| 8200585  | 39MT  |
| 8200590  | 50MT  |
| 8200600  | 38MT  |
| 8200604  | 39MT  |
| 8200605  | 39MT  |
| 8200606  | 39MT  |
| 8200610  | 39MT  |
| 8200611  | 39MT  |
| 8200612  | 39MT  |
| 8200614  | 39MT  |
| 8200617  | 44MT  |
| 8200618  | 44MT  |
| 8200623  | 39MT  |
| 8200624  | 39MT  |
| 8200625  | 39MT  |
| 8200627  | 39MT  |
| 8200628  | 39MT  |
| 8200634  | 39MT  |
| 8200635  | 39MT  |
| 8200639  | 39MT  |
| 8200640  | 39MT  |
| 8200643  | 39MT  |
| 8200644  | 39MT  |
| 8200646  | 39MT  |
| 8200647  | 39MT  |
| 8200648  | 39MT  |
| 8200649  | 39MT  |
| 8200653  | 39MT  |
| 8200654  | 39MT  |
| 8200655  | 39MT  |
| 8200657  | 39MT  |
| 8200659  | 39MT  |
| 8200660  | 39MT  |
| 8200661  | 39MT  |
| 8200662  | 39MT  |
| 8200664  | 39MT  |
| 8200671  | 39MT  |

| Part No. | Model |
|----------|-------|
| 8200672  | 39MT  |
| 8200681  | 39MT  |
| 8200684  | 39MT  |
| 8200686  | 39MT  |
| 8200687  | 39MT  |
| 8200688  | 39MT  |
| 8200690  | 39MT  |
| 8200691  | 39MT  |
| 8200692  | 39MT  |
| 8200693  | 39MT  |
| 8200694  | 39MT  |
| 8200696  | 39MT  |
| 8200697  | 39MT  |
| 8200698  | 39MT  |
| 8200699  | 39MT  |
| 8200700  | 39MT  |
| 8200702  | 39MT  |
| 8200704  | 39MT  |
| 8200706  | 39MT  |
| 8200707  | 39MT  |
| 8200709  | 39MT  |
| 8200711  | 39MT  |
| 8200712  | 39MT  |
| 8200713  | 39MT  |
| 8200714  | 39MT  |
| 8200724  | 39MT  |
| 8200725  | 39MT  |
| 8200726  | 39MT  |
| 8200727  | 39MT  |
| 8200735  | 39MT  |
| 8200736  | 39MT  |
| 8200742  | 39MT  |
| 8200745  | 29MT  |
| 8200747  | 39MT  |
| 8200750  | 44MT  |
| 8200751  | 39MT  |
| 8200752  | 39MT  |
| 8200756  | 39MT  |
| 8200758  | 39MT  |
| 8200763  | 39MT  |
| 8200767  | 39MT  |
| 8200768  | 39MT  |
| 8200770  | 44MT  |
| 8200771  | 44MT  |
| 8200775  | 44MT  |
| 8200783  | 39MT  |
| 8200795  | 44MT  |
| 8200796  | 29MT  |
| 8200799  | 44MT  |
| 8200800  | 44MT  |
| 8200802  | 44MT  |
| 8200803  | 44MT  |
| 8200804  | 44MT  |
| 8200816  | 29MT  |
| 8200817  | 39MT  |



# Model Index

| Part No. | Model | Part No. | Model | Part No. | Model | Part No. | Model |
|----------|-------|----------|-------|----------|-------|----------|-------|
| 8200820  | 39MT  | 8300032  | 42MT  | 8600030  | 11SI  | 8600179  | 24SI  |
| 8200834  | 35MT  | 8300033  | 42MT  | 8600032  | 24SI  | 8600191  | 50DN  |
| 8200836  | 35MT  | 8300034  | 42MT  | 8600043  | 24SI  | 8600193  | 24SI  |
| 8200844  | 39MT  | 8300035  | 42MT  | 8600046  | 31SI  | 8600197  | 36SI  |
| 8200848  | 29MT  | 8300036  | 42MT  | 8600050  | 34SI  | 8600198  | 22SI  |
| 8200849  | 29MT  | 8300037  | 42MT  | 8600055  | 36SI  | 8600199  | 22SI  |
| 8200850  | 29MT  | 8300038  | 37MT  | 8600060  | 36SI  | 8600201  | 28SI  |
| 8200852  | 29MT  | 8300039  | 37MT  | 8600064  | 35SI  | 8600202  | 36SI  |
| 8200853  | 29MT  | 8300041  | 37MT  | 8600065  | 35SI  | 8600203  | 36SI  |
| 8200854  | 29MT  | 8300042  | 40MT  | 8600066  | 35SI  | 8600220  | 24SI  |
| 8200855  | 39MT  | 8300043  | 40MT  | 8600067  | 24SI  | 8600221  | 36SI  |
| 8200857  | 39MT  | 8300044  | 40MT  | 8600068  | 24SI  | 8600223  | 28SI  |
| 8200858  | 39MT  | 8300045  | 40MT  | 8600071  | 36SI  | 8600227  | 24SI  |
| 8200859  | 39MT  | 8300046  | 41MT  | 8600072  | 36SI  | 8600228  | 24SI  |
| 8200860  | 39MT  | 8300047  | 42MT  | 8600073  | 36SI  | 8600229  | 24SI  |
| 8200862  | 39MT  | 8300048  | 42MT  | 8600075  | 11SI  | 8600231  | 24SI  |
| 8200863  | 39MT  | 8300049  | 42MT  | 8600078  | 28SI  | 8600232  | 36SI  |
| 8200864  | 39MT  | 8300050  | 42MT  | 8600081  | 24SI  | 8600244  | 35SI  |
| 8200865  | 39MT  | 8300051  | 42MT  | 8600082  | 36SI  | 8600246  | 35SI  |
| 8200866  | 29MT  | 8300052  | 42MT  | 8600083  | 50DN  | 8600247  | 35SI  |
| 8200882  | 29MT  | 8300053  | 28MT  | 8600086  | 11SI  | 8600248  | 36SI  |
| 8200885  | 29MT  | 8300055  | 28MT  | 8600089  | 22SI  | 8600250  | 34SI  |
| 8200887  | 29MT  | 8300057  | 39MT  | 8600094  | 40SI  | 8600251  | 34SI  |
| 8200889  | 29MT  | 8300058  | 39MT  | 8600096  | 24SI  | 8600252  | 36SI  |
| 8200890  | 29MT  | 8300059  | 39MT  | 8600100  | 24SI  | 8600253  | 28SI  |
| 8200938  | 29MT  | 8300060  | 39MT  | 8600110  | 36SI  | 8600261  | 28SI  |
| 8200958  | 35MT  | 8300061  | 39MT  | 8600112  | 22SI  | 8600262  | 36SI  |
| 8200965  | 39MT  | 8300062  | 39MT  | 8600114  | 22SI  | 8600267  | 28SI  |
| 8200972  | 29MT  | 8300063  | 29MT  | 8600115  | 22SI  | 8600277  | 33SI  |
| 8200980  | 39MT  | 8300064  | 29MT  | 8600117  | 22SI  | 8600279  | 40SI  |
| 8300000  | 42MT  | 8300065  | 38MT  | 8600125  | 36SI  | 8600280  | 40SI  |
| 8300001  | 42MT  | 8300066  | 38MT  | 8600126  | 36SI  | 8600282  | 13SI  |
| 8300002  | 42MT  | 8300067  | 39MT  | 8600127  | 36SI  | 8600288  | 40SI  |
| 8300004  | 39MT  | 8300068  | 39MT  | 8600142  | 24SI  | 8600289  | 40SI  |
| 8300005  | 38MT  | 8300069  | 39MT  | 8600143  | 24SI  | 8600298  | 40SI  |
| 8300007  | 39MT  | 8300073  | 41MT  | 8600145  | 35SI  | 8600299  | 40SI  |
| 8300008  | 39MT  | 8300074  | 41MT  | 8600151  | 24SI  | 8600300  | 40SI  |
| 8300009  | 39MT  | 8300078  | 42MT  | 8600152  | 24SI  | 8600301  | 40SI  |
| 8300011  | 39MT  | 8300079  | 42MT  | 8600153  | 24SI  | 8600307  | 28SI  |
| 8300012  | 39MT  | 8300080  | 42MT  | 8600154  | 24SI  | 8600308  | 28SI  |
| 8300013  | 39MT  | 8300084  | 39MT  | 8600159  | 35SI  | 8600310  | 24SI  |
| 8300014  | 39MT  | 8400013  | 11SI  | 8600160  | 35SI  | 8600311  | 28SI  |
| 8300015  | 39MT  | 8400223  | 11SI  | 8600161  | 35SI  | 8600312  | 28SI  |
| 8300016  | 39MT  | 8600000  | 11SI  | 8600162  | 35SI  | 8600313  | 28SI  |
| 8300017  | 39MT  | 8600002  | 11SI  | 8600163  | 24SI  | 8600314  | 28SI  |
| 8300018  | 39MT  | 8600009  | 24SI  | 8600164  | 24SI  | 8600315  | 28SI  |
| 8300019  | 39MT  | 8600013  | 50DN  | 8600165  | 24SI  | 8600316  | 28SI  |
| 8300020  | 39MT  | 8600014  | 50DN  | 8600166  | 24SI  | 8600332  | 33SI  |
| 8300021  | 38MT  | 8600015  | 36SI  | 8600167  | 24SI  | 8600333  | 33SI  |
| 8300022  | 38MT  | 8600016  | 24SI  | 8600168  | 24SI  | 8600334  | 22SI  |
| 8300023  | 38MT  | 8600017  | 24SI  | 8600171  | 36SI  | 8600338  | 40SI  |
| 8300024  | 38MT  | 8600018  | 24SI  | 8600172  | 24SI  | 8600339  | 40SI  |
| 8300025  | 38MT  | 8600019  | 24SI  | 8600173  | 24SI  | 8600353  | 24SI  |
| 8300026  | 38MT  | 8600020  | 24SI  | 8600177  | 36SI  | 8600360  | 24SI  |
| 8300031  | 42MT  | 8600023  | 34SI  | 8600178  | 36SI  | 8600361  | 24SI  |



# Model Index

| Part No. | Model |
|----------|-------|
| 8600362  | 35SI  |
| 8600365  | 13SI  |
| 8600367  | 36SI  |
| 8600369  | 36SI  |
| 8600383  | 36SI  |
| 8600384  | 36SI  |
| 8600388  | 24SI  |
| 8600390  | 40SI  |
| 8600393  | 20SI  |
| 8600395  | 24SI  |
| 8600398  | 36SI  |
| 8600402  | 24SI  |
| 8600403  | 24SI  |
| 8600404  | 24SI  |
| 8600405  | 24SI  |
| 8600407  | 24SI  |
| 8600408  | 24SI  |
| 8600412  | 40SI  |
| 8600414  | 40SI  |
| 8600415  | 28SI  |
| 8600416  | 28SI  |
| 8600417  | 28SI  |
| 8600419  | 36SI  |
| 8600421  | 36SI  |
| 8600422  | 28SI  |
| 8600423  | 28SI  |
| 8600434  | 55SI  |
| 8600437  | 24SI  |
| 8600438  | 24SI  |
| 8600439  | 24SI  |
| 8600440  | 24SI  |
| 8600441  | 24SI  |
| 8600442  | 24SI  |
| 8600453  | 55SI  |
| 8600454  | 28SI  |
| 8600466  | 28SI  |
| 8600467  | 28SI  |
| 8600468  | 28SI  |
| 8600469  | 28SI  |
| 8600470  | 36SI  |
| 8600471  | 24SI  |
| 8600473  | 55SI  |
| 8600478  | 40SI  |
| 8600479  | 34SI  |
| 8600480  | 55SI  |
| 8600483  | 55SI  |
| 8600484  | 55SI  |
| 8600488  | 36SI  |
| 8600495  | 55SI  |
| 8600499  | 24SI  |
| 8600500  | 24SI  |
| 8600501  | 24SI  |
| 8600502  | 24SI  |
| 8600503  | 24SI  |
| 8600504  | 24SI  |

| Part No. | Model |
|----------|-------|
| 8600505  | 24SI  |
| 8600506  | 24SI  |
| 8600511  | 35SI  |
| 8600519  | 24SI  |
| 8600524  | 28SI  |
| 8600529  | 55SI  |
| 8600531  | 9SI   |
| 8600548  | 36SI  |
| 8600552  | 38SI  |
| 8600560  | 28SI  |
| 8600580  | 55SI  |
| 8600581  | 55SI  |
| 8600599  | 40SI  |
| 8600601  | 40SI  |
| 8600628  | 40SI  |
| 8600629  | 55SI  |
| 8600634  | 40SI  |
| 8600707  | 38SI  |
| 8600889  | 24SI  |
| 8700000  | 35SI  |
| 8700001  | 35SI  |
| 8700002  | 35SI  |
| 8700003  | 35SI  |
| 8700004  | 35SI  |
| 8700005  | 35SI  |
| 8700006  | 35SI  |
| 8700007  | 35SI  |
| 8700008  | 24SI  |
| 8700009  | 24SI  |
| 8700010  | 24SI  |
| 8700011  | 24SI  |
| 8700012  | 24SI  |
| 8700013  | 24SI  |
| 8700014  | 23SI  |
| 8700015  | 23SI  |
| 8700016  | 35SI  |
| 8700017  | 35SI  |
| 8700018  | 35SI  |
| 8700019  | 24SI  |
| 8700021  | 24SI  |
| 8700023  | 35SI  |
| 8700024  | 35SI  |
| 8700025  | 35SI  |
| 8700026  | 35SI  |
| 8700027  | 35SI  |
| 8700028  | 35SI  |
| 8700029  | 35SI  |
| 8700030  | 35SI  |
| 8700032  | 24SI  |
| 8700033  | 24SI  |
| 8700034  | 24SI  |
| 8700035  | 24SI  |
| 8700039  | 36SI  |
| 8700040  | 36SI  |
| 8700041  | 36SI  |

| Part No. | Model |
|----------|-------|
| 8700044  | 22SI  |
| 8700045  | 36SI  |
| 8700046  | 36SI  |
| 8700047  | 36SI  |
| 8700050  | 34SI  |
| 8700053  | 22SI  |
| 8700054  | 22SI  |
| 8700055  | 22SI  |
| 8700067  | 36SI  |
| 8700077  | 50DN  |
| 8700078  | 35SI  |
| 10455500 | 27MT  |
| 10456313 | 27SI  |
| 10459000 | 30SI  |
| 10459001 | 30SI  |
| 10459002 | 30SI  |
| 10459003 | 25SI  |
| 10459004 | 30SI  |
| 10459005 | 25SI  |
| 10459006 | 25SI  |
| 10459007 | 25SI  |
| 10459008 | 30SI  |
| 10459009 | 30SI  |
| 10459011 | 25SI  |
| 10459012 | 27SI  |
| 10459013 | 21SI  |
| 10459014 | 25SI  |
| 10459015 | 25SI  |
| 10459017 | 21SI  |
| 10459018 | 25SI  |
| 10459019 | 25SI  |
| 10459020 | 20SI  |
| 10459023 | 21SI  |
| 10459026 | 21SI  |
| 10459027 | 21SI  |
| 10459028 | 21SI  |
| 10459032 | 50DN  |
| 10459033 | 50DN  |
| 10459034 | 50DN  |
| 10459035 | 21SI  |
| 10459036 | 21SI  |
| 10459037 | 21SI  |
| 10459038 | 21SI  |
| 10459039 | 21SI  |
| 10459040 | 21SI  |
| 10459041 | 21SI  |
| 10459042 | 21SI  |
| 10459043 | 21SI  |
| 10459044 | 21SI  |
| 10459045 | 21SI  |
| 10459046 | 21SI  |
| 10459047 | 21SI  |
| 10459048 | 21SI  |
| 10459049 | 21SI  |
| 10459050 | 21SI  |

| Part No. | Model |
|----------|-------|
| 10459051 | 21SI  |
| 10459052 | 21SI  |
| 10459053 | 21SI  |
| 10459054 | 21SI  |
| 10459055 | 21SI  |
| 10459056 | 21SI  |
| 10459057 | 30SI  |
| 10459058 | 30SI  |
| 10459059 | 21SI  |
| 10459061 | 26SI  |
| 10459062 | 26SI  |
| 10459063 | 26SI  |
| 10459064 | 26SI  |
| 10459065 | 26SI  |
| 10459066 | 26SI  |
| 10459067 | 26SI  |
| 10459068 | 25SI  |
| 10459069 | 27SI  |
| 10459071 | 26SI  |
| 10459072 | 26SI  |
| 10459073 | 26SI  |
| 10459074 | 26SI  |
| 10459075 | 26SI  |
| 10459076 | 26SI  |
| 10459077 | 26SI  |
| 10459079 | 30SI  |
| 10459082 | 21SI  |
| 10459097 | 30SI  |
| 10459098 | 30SI  |
| 10459099 | 26SI  |
| 10459104 | 21SI  |
| 10459105 | 21SI  |
| 10459106 | 21SI  |
| 10459107 | 21SI  |
| 10459108 | 30SI  |
| 10459109 | 21SI  |
| 10459110 | 21SI  |
| 10459111 | 21SI  |
| 10459113 | 50DN  |
| 10459115 | 21SI  |
| 10459116 | 30SI  |
| 10459117 | 21SI  |
| 10459118 | 21SI  |
| 10459119 | 30SI  |
| 10459120 | 30SI  |
| 10459121 | 50DN  |
| 10459122 | 50DN  |
| 10459123 | 50DN  |
| 10459124 | 50DN  |
| 10459125 | 50DN  |
| 10459126 | 50DN  |
| 10459127 | 50DN  |
| 10459128 | 50DN  |
| 10459129 | 50DN  |
| 10459130 | 50DN  |

# Model Index

| Part No. | Model | Part No. | Model | Part No. | Model | Part No. | Model |
|----------|-------|----------|-------|----------|-------|----------|-------|
| 10459131 | 50DN  | 10459206 | 34SI  | 10459321 | 22SI  | 10459612 | 35SI  |
| 10459132 | 26SI  | 10459207 | 30SI  | 10459325 | 30SI  | 10459613 | 35SI  |
| 10459133 | 21SI  | 10459209 | 21SI  | 10459328 | 34SI  | 10459614 | 35SI  |
| 10459134 | 21SI  | 10459210 | 21SI  | 10459329 | 34SI  | 10459615 | 36SI  |
| 10459135 | 21SI  | 10459211 | 21SI  | 10459330 | 34SI  | 10459616 | 36SI  |
| 10459136 | 26SI  | 10459212 | 22SI  | 10459333 | 22SI  | 10459617 | 36SI  |
| 10459137 | 26SI  | 10459216 | 22SI  | 10459334 | 22SI  | 10459618 | 36SI  |
| 10459138 | 30SI  | 10459218 | 23SI  | 10459335 | 34SI  | 10459619 | 36SI  |
| 10459141 | 33SI  | 10459233 | 27SI  | 10459336 | 21SI  | 10459632 | 34SI  |
| 10459142 | 33SI  | 10459235 | 50DN  | 10459338 | 12SI  | 10459633 | 22SI  |
| 10459143 | 33SI  | 10459236 | 27SI  | 10459340 | 22SI  | 10461001 | 37MT  |
| 10459144 | 33SI  | 10459237 | 30SI  | 10459341 | 22SI  | 10461002 | 37MT  |
| 10459145 | 34SI  | 10459238 | 27SI  | 10459342 | 22SI  | 10461003 | 37MT  |
| 10459146 | 21SI  | 10459244 | 27SI  | 10459350 | 12SI  | 10461004 | 37MT  |
| 10459148 | 26SI  | 10459250 | 50DN  | 10459352 | 34SI  | 10461005 | 37MT  |
| 10459149 | 30SI  | 10459252 | 20SI  | 10459353 | 34SI  | 10461006 | 37MT  |
| 10459150 | 30SI  | 10459254 | 22SI  | 10459360 | 22SI  | 10461008 | 37MT  |
| 10459151 | 30SI  | 10459255 | 22SI  | 10459365 | 10SI  | 10461009 | 37MT  |
| 10459152 | 27SI  | 10459256 | 20SI  | 10459368 | 30SI  | 10461010 | 37MT  |
| 10459153 | 27SI  | 10459257 | 30SI  | 10459369 | 30SI  | 10461011 | 37MT  |
| 10459154 | 21SI  | 10459258 | 30SI  | 10459372 | 23SI  | 10461012 | 37MT  |
| 10459155 | 21SI  | 10459259 | 30SI  | 10459374 | 21SI  | 10461013 | 37MT  |
| 10459156 | 21SI  | 10459260 | 30SI  | 10459449 | 34SI  | 10461015 | 37MT  |
| 10459157 | 21SI  | 10459261 | 21SI  | 10459450 | 33SI  | 10461016 | 37MT  |
| 10459158 | 21SI  | 10459262 | 21SI  | 10459451 | 34SI  | 10461017 | 37MT  |
| 10459159 | 21SI  | 10459273 | 23SI  | 10459453 | 21SI  | 10461018 | 37MT  |
| 10459160 | 21SI  | 10459274 | 23SI  | 10459456 | 22SI  | 10461020 | 42MT  |
| 10459161 | 26SI  | 10459275 | 23SI  | 10459457 | 21SI  | 10461021 | 42MT  |
| 10459162 | 26SI  | 10459277 | 23SI  | 10459460 | 21SI  | 10461022 | 42MT  |
| 10459174 | 21SI  | 10459278 | 34SI  | 10459461 | 21SI  | 10461024 | 42MT  |
| 10459180 | 33SI  | 10459279 | 34SI  | 10459462 | 21SI  | 10461025 | 42MT  |
| 10459181 | 33SI  | 10459280 | 23SI  | 10459463 | 21SI  | 10461027 | 42MT  |
| 10459182 | 33SI  | 10459281 | 23SI  | 10459468 | 22SI  | 10461028 | 42MT  |
| 10459183 | 33SI  | 10459282 | 23SI  | 10459472 | 22SI  | 10461030 | 42MT  |
| 10459184 | 34SI  | 10459283 | 23SI  | 10459473 | 33SI  | 10461031 | 42MT  |
| 10459186 | 21SI  | 10459284 | 34SI  | 10459481 | 22SI  | 10461032 | 42MT  |
| 10459187 | 21SI  | 10459285 | 34SI  | 10459482 | 22SI  | 10461033 | 42MT  |
| 10459188 | 22SI  | 10459286 | 23SI  | 10459483 | 22SI  | 10461034 | 42MT  |
| 10459189 | 22SI  | 10459288 | 34SI  | 10459509 | 10SI  | 10461035 | 42MT  |
| 10459190 | 22SI  | 10459289 | 34SI  | 10459547 | 21SI  | 10461036 | 42MT  |
| 10459191 | 22SI  | 10459290 | 34SI  | 10459564 | 30SI  | 10461038 | 42MT  |
| 10459192 | 22SI  | 10459291 | 22SI  | 10459590 | 30SI  | 10461039 | 37MT  |
| 10459193 | 22SI  | 10459292 | 22SI  | 10459595 | 22SI  | 10461040 | 37MT  |
| 10459194 | 33SI  | 10459294 | 23SI  | 10459596 | 22SI  | 10461041 | 40MT  |
| 10459195 | 33SI  | 10459295 | 21SI  | 10459597 | 22SI  | 10461042 | 42MT  |
| 10459196 | 33SI  | 10459300 | 33SI  | 10459598 | 34SI  | 10461043 | 42MT  |
| 10459197 | 34SI  | 10459301 | 21SI  | 10459601 | 22SI  | 10461044 | 37MT  |
| 10459198 | 34SI  | 10459302 | 21SI  | 10459603 | 22SI  | 10461045 | 40MT  |
| 10459199 | 34SI  | 10459303 | 23SI  | 10459604 | 22SI  | 10461046 | 40MT  |
| 10459200 | 20SI  | 10459305 | 22SI  | 10459606 | 35SI  | 10461047 | 40MT  |
| 10459201 | 20SI  | 10459306 | 22SI  | 10459607 | 35SI  | 10461048 | 40MT  |
| 10459202 | 30SI  | 10459311 | 33SI  | 10459608 | 35SI  | 10461049 | 40MT  |
| 10459203 | 30SI  | 10459318 | 22SI  | 10459609 | 35SI  | 10461050 | 42MT  |
| 10459204 | 22SI  | 10459319 | 20SI  | 10459610 | 35SI  | 10461051 | 42MT  |
| 10459205 | 22SI  | 10459320 | 22SI  | 10459611 | 35SI  | 10461052 | 42MT  |

# Model Index

| Part No. | Model | Part No. | Model | Part No. | Model | Part No. | Model |
|----------|-------|----------|-------|----------|-------|----------|-------|
| 10461053 | 42MT  | 10461146 | 42MT  | 10461225 | 37MT  | 10461327 | 42MT  |
| 10461054 | 42MT  | 10461147 | 42MT  | 10461227 | 41MT  | 10461328 | 42MT  |
| 10461055 | 42MT  | 10461148 | 42MT  | 10461228 | 42MT  | 10461329 | 42MT  |
| 10461056 | 50MT  | 10461149 | 42MT  | 10461230 | 37MT  | 10461330 | 37MT  |
| 10461057 | 50MT  | 10461150 | 50MT  | 10461231 | 37MT  | 10461331 | 42MT  |
| 10461058 | 37MT  | 10461151 | 42MT  | 10461232 | 42MT  | 10461332 | 42MT  |
| 10461059 | 40MT  | 10461152 | 37MT  | 10461233 | 42MT  | 10461333 | 41MT  |
| 10461060 | 40MT  | 10461153 | 41MT  | 10461234 | 34SI  | 10461334 | 39MT  |
| 10461061 | 40MT  | 10461154 | 50MT  | 10461235 | 21SI  | 10461338 | 42MT  |
| 10461062 | 42MT  | 10461155 | 50MT  | 10461236 | 21SI  | 10461339 | 42MT  |
| 10461063 | 42MT  | 10461157 | 50MT  | 10461237 | 26SI  | 10461341 | 42MT  |
| 10461064 | 42MT  | 10461159 | 50MT  | 10461238 | 30SI  | 10461345 | 42MT  |
| 10461065 | 42MT  | 10461160 | 50MT  | 10461239 | 41MT  | 10461350 | 42MT  |
| 10461066 | 37MT  | 10461161 | 50MT  | 10461240 | 41MT  | 10461353 | 42MT  |
| 10461067 | 40MT  | 10461162 | 42MT  | 10461241 | 42MT  | 10461357 | 42MT  |
| 10461068 | 42MT  | 10461163 | 42MT  | 10461242 | 42MT  | 10461358 | 42MT  |
| 10461069 | 37MT  | 10461164 | 42MT  | 10461257 | 37MT  | 10461359 | 42MT  |
| 10461073 | 40MT  | 10461165 | 42MT  | 10461259 | 42MT  | 10461360 | 42MT  |
| 10461074 | 40MT  | 10461166 | 42MT  | 10461260 | 42MT  | 10461362 | 42MT  |
| 10461075 | 42MT  | 10461167 | 50MT  | 10461261 | 50MT  | 10461365 | 42MT  |
| 10461076 | 42MT  | 10461169 | 37MT  | 10461262 | 50MT  | 10461368 | 50MT  |
| 10461077 | 42MT  | 10461170 | 37MT  | 10461263 | 50MT  | 10461369 | 50MT  |
| 10461078 | 42MT  | 10461171 | 41MT  | 10461264 | 50MT  | 10461375 | 50MT  |
| 10461079 | 42MT  | 10461172 | 42MT  | 10461265 | 42MT  | 10461377 | 50MT  |
| 10461080 | 42MT  | 10461178 | 40MT  | 10461266 | 42MT  | 10461378 | 50MT  |
| 10461081 | 37MT  | 10461179 | 40MT  | 10461267 | 42MT  | 10461379 | 50MT  |
| 10461082 | 37MT  | 10461180 | 40MT  | 10461268 | 42MT  | 10461381 | 50MT  |
| 10461083 | 41MT  | 10461182 | 41MT  | 10461269 | 42MT  | 10461382 | 50MT  |
| 10461085 | 41MT  | 10461183 | 42MT  | 10461270 | 42MT  | 10461384 | 41MT  |
| 10461089 | 37MT  | 10461184 | 42MT  | 10461271 | 42MT  | 10461385 | 37MT  |
| 10461090 | 42MT  | 10461185 | 42MT  | 10461272 | 42MT  | 10461386 | 41MT  |
| 10461091 | 42MT  | 10461186 | 42MT  | 10461273 | 37MT  | 10461387 | 37MT  |
| 10461092 | 40MT  | 10461191 | 50MT  | 10461274 | 37MT  | 10461390 | 41MT  |
| 10461093 | 40MT  | 10461192 | 37MT  | 10461275 | 37MT  | 10461391 | 41MT  |
| 10461094 | 37MT  | 10461193 | 42MT  | 10461276 | 37MT  | 10461392 | 42MT  |
| 10461096 | 42MT  | 10461194 | 42MT  | 10461277 | 37MT  | 10461393 | 42MT  |
| 10461098 | 37MT  | 10461199 | 37MT  | 10461279 | 37MT  | 10461394 | 37MT  |
| 10461101 | 42MT  | 10461200 | 37MT  | 10461280 | 37MT  | 10461395 | 41MT  |
| 10461102 | 42MT  | 10461202 | 37MT  | 10461282 | 41MT  | 10461397 | 42MT  |
| 10461103 | 42MT  | 10461205 | 37MT  | 10461283 | 28MT  | 10461398 | 42MT  |
| 10461107 | 40MT  | 10461206 | 42MT  | 10461285 | 28MT  | 10461399 | 50MT  |
| 10461108 | 37MT  | 10461207 | 37MT  | 10461286 | 28MT  | 10461402 | 37MT  |
| 10461109 | 37MT  | 10461208 | 37MT  | 10461297 | 37MT  | 10461405 | 37MT  |
| 10461110 | 37MT  | 10461209 | 37MT  | 10461298 | 37MT  | 10461408 | 41MT  |
| 10461125 | 50MT  | 10461210 | 37MT  | 10461303 | 37MT  | 10461409 | 41MT  |
| 10461126 | 42MT  | 10461211 | 42MT  | 10461304 | 41MT  | 10461410 | 42MT  |
| 10461127 | 42MT  | 10461212 | 42MT  | 10461309 | 37MT  | 10461411 | 42MT  |
| 10461128 | 42MT  | 10461213 | 42MT  | 10461310 | 37MT  | 10461413 | 42MT  |
| 10461129 | 50MT  | 10461214 | 42MT  | 10461316 | 37MT  | 10461414 | 42MT  |
| 10461133 | 42MT  | 10461215 | 42MT  | 10461318 | 41MT  | 10461415 | 42MT  |
| 10461134 | 42MT  | 10461216 | 42MT  | 10461319 | 41MT  | 10461416 | 37MT  |
| 10461136 | 42MT  | 10461217 | 42MT  | 10461321 | 41MT  | 10461417 | 41MT  |
| 10461141 | 42MT  | 10461218 | 42MT  | 10461323 | 42MT  | 10461418 | 42MT  |
| 10461142 | 42MT  | 10461219 | 42MT  | 10461324 | 42MT  | 10461419 | 42MT  |
| 10461145 | 42MT  | 10461222 | 42MT  | 10461326 | 42MT  | 10461420 | 42MT  |

# Model Index

| Part No. | Model | Part No. | Model | Part No. | Model | Part No. | Model |
|----------|-------|----------|-------|----------|-------|----------|-------|
| 10461421 | 50MT  | 10461592 | 42MT  | 10465044 | 28MT  | 10478809 | 42MT  |
| 10461431 | 41MT  | 10461617 | 10MT  | 10465045 | 28MT  | 10478810 | 42MT  |
| 10461434 | 41MT  | 10461695 | 40MT  | 10465046 | 28MT  | 10478811 | 37MT  |
| 10461435 | 41MT  | 10461716 | 41MT  | 10465049 | 28MT  | 10478812 | 41MT  |
| 10461436 | 41MT  | 10461718 | 37MT  | 10465050 | 28MT  | 10478813 | 50MT  |
| 10461439 | 41MT  | 10461719 | 37MT  | 10465053 | 28MT  | 10478814 | 37MT  |
| 10461440 | 41MT  | 10461720 | 40MT  | 10465054 | 28MT  | 10478815 | 41MT  |
| 10461441 | 41MT  | 10461721 | 40MT  | 10465058 | 28MT  | 10478817 | 41MT  |
| 10461442 | 40MT  | 10461722 | 40MT  | 10465080 | 10MT  | 10478818 | 41MT  |
| 10461443 | 28MT  | 10461731 | 50MT  | 10465107 | 27MT  | 10478819 | 37MT  |
| 10461445 | 28MT  | 10461733 | 50MT  | 10465108 | 10MT  | 10478827 | 50MT  |
| 10461446 | 28MT  | 10461738 | 50MT  | 10465109 | 10MT  | 10478828 | 50MT  |
| 10461447 | 28MT  | 10461739 | 50MT  | 10465110 | 10MT  | 10478829 | 50MT  |
| 10461450 | 28MT  | 10461740 | 50MT  | 10465111 | 10MT  | 10478830 | 50MT  |
| 10461451 | 28MT  | 10461741 | 50MT  | 10465114 | 10MT  | 10478831 | 37MT  |
| 10461454 | 28MT  | 10461744 | 50MT  | 10465119 | 10MT  | 10478832 | 42MT  |
| 10461457 | 37MT  | 10461745 | 50MT  | 10465124 | 10MT  | 10478833 | 42MT  |
| 10461458 | 41MT  | 10461746 | 50MT  | 10465125 | 10MT  | 10478837 | 42MT  |
| 10461461 | 28MT  | 10461753 | 39MT  | 10465126 | 10MT  | 10478841 | 42MT  |
| 10461463 | 28MT  | 10461754 | 39MT  | 10465127 | 10MT  | 10478842 | 42MT  |
| 10461465 | 28MT  | 10461755 | 39MT  | 10465128 | 10MT  | 10478843 | 50MT  |
| 10461466 | 28MT  | 10461756 | 39MT  | 10465129 | 10MT  | 10478844 | 50MT  |
| 10461468 | 28MT  | 10461757 | 39MT  | 10465132 | 10MT  | 10478848 | 50MT  |
| 10461469 | 28MT  | 10461758 | 39MT  | 10465134 | 10MT  | 10478849 | 50MT  |
| 10461471 | 28MT  | 10461759 | 39MT  | 10465139 | 10MT  | 10478850 | 50MT  |
| 10461473 | 28MT  | 10461760 | 39MT  | 10465148 | 28MT  | 10478852 | 50MT  |
| 10461474 | 28MT  | 10461764 | 29MT  | 10465150 | 28MT  | 10478855 | 50MT  |
| 10461477 | 28MT  | 10461765 | 29MT  | 10465151 | 28MT  | 10478858 | 50MT  |
| 10461479 | 28MT  | 10461768 | 38MT  | 10465152 | 10MT  | 10478859 | 50MT  |
| 10461480 | 28MT  | 10461769 | 38MT  | 10465153 | 10MT  | 10478861 | 50MT  |
| 10461481 | 28MT  | 10461770 | 29MT  | 10465154 | 10MT  | 10478863 | 50MT  |
| 10461482 | 28MT  | 10461771 | 29MT  | 10465155 | 10MT  | 10478865 | 50MT  |
| 10461484 | 28MT  | 10461772 | 29MT  | 10465158 | 10MT  | 10478866 | 50MT  |
| 10461485 | 28MT  | 10461773 | 39MT  | 10465168 | 28MT  | 10478867 | 50MT  |
| 10461486 | 28MT  | 10461774 | 38MT  | 10465171 | 10MT  | 10478868 | 50MT  |
| 10461488 | 42MT  | 10461775 | 38MT  | 10465239 | 28MT  | 10478870 | 50MT  |
| 10461493 | 50MT  | 10461776 | 38MT  | 10465295 | 28MT  | 10478871 | 50MT  |
| 10461494 | 37MT  | 10461777 | 39MT  | 10465296 | 28MT  | 10478874 | 50MT  |
| 10461495 | 42MT  | 10461778 | 42MT  | 10465349 | 28MT  | 10478876 | 50MT  |
| 10461496 | 41MT  | 10462155 | 42MT  | 10465351 | 27MT  | 10478877 | 50MT  |
| 10461500 | 37MT  | 10462175 | 42MT  | 10465378 | 27MT  | 10478878 | 50MT  |
| 10461501 | 42MT  | 10462196 | 42MT  | 10465400 | 28MT  | 10478879 | 50MT  |
| 10461503 | 41MT  | 10463060 | 12SI  | 10465401 | 28MT  | 10478880 | 50MT  |
| 10461504 | 41MT  | 10463072 | 27SI  | 10465402 | 28MT  | 10478883 | 50MT  |
| 10461505 | 50MT  | 10463073 | 27SI  | 10465403 | 28MT  | 10478884 | 50MT  |
| 10461506 | 50MT  | 10465013 | 28MT  | 10465406 | 28MT  | 10478885 | 50MT  |
| 10461509 | 42MT  | 10465014 | 28MT  | 10465407 | 28MT  | 10478887 | 50MT  |
| 10461511 | 42MT  | 10465026 | 28MT  | 10465408 | 28MT  | 10478888 | 50MT  |
| 10461512 | 42MT  | 10465027 | 5MT   | 10465602 | 50MT  | 10478889 | 50MT  |
| 10461513 | 42MT  | 10465030 | 5MT   | 10465604 | 50MT  | 10478890 | 37MT  |
| 10461514 | 37MT  | 10465034 | 5MT   | 10469461 | 21SI  | 10478893 | 42MT  |
| 10461517 | 40MT  | 10465036 | 5MT   | 10478800 | 50MT  | 10478894 | 42MT  |
| 10461523 | 37MT  | 10465037 | 5MT   | 10478806 | 37MT  | 10478895 | 42MT  |
| 10461525 | 37MT  | 10465039 | 5MT   | 10478807 | 50MT  | 10478897 | 41MT  |
| 10461528 | 41MT  | 10465043 | 28MT  | 10478808 | 50MT  | 10478898 | 41MT  |

# Model Index

| Part No. | Model |
|----------|-------|
| 10478905 | 50MT  |
| 10478906 | 50MT  |
| 10478907 | 50MT  |
| 10478908 | 50MT  |
| 10478909 | 50MT  |
| 10478910 | 50MT  |
| 10478911 | 50MT  |
| 10478912 | 50MT  |
| 10478915 | 50MT  |
| 10478916 | 50MT  |
| 10478917 | 50MT  |
| 10478918 | 42MT  |
| 10478919 | 50MT  |
| 10478921 | 37MT  |
| 10478926 | 41MT  |
| 10478928 | 37MT  |
| 10478931 | 42MT  |
| 10478932 | 42MT  |
| 10478933 | 42MT  |
| 10478934 | 42MT  |
| 10478935 | 42MT  |
| 10478936 | 42MT  |
| 10478937 | 42MT  |
| 10478938 | 42MT  |
| 10478939 | 42MT  |
| 10478940 | 42MT  |
| 10478941 | 42MT  |
| 10478942 | 42MT  |
| 10478943 | 42MT  |
| 10478944 | 42MT  |
| 10478946 | 42MT  |
| 10478947 | 42MT  |
| 10478948 | 42MT  |
| 10478951 | 42MT  |
| 10478952 | 42MT  |
| 10478957 | 37MT  |
| 10478959 | 42MT  |
| 10478961 | 41MT  |
| 10478962 | 42MT  |
| 10478963 | 42MT  |
| 10478964 | 42MT  |
| 10478965 | 42MT  |
| 10478966 | 42MT  |
| 10478967 | 42MT  |
| 10478974 | 42MT  |
| 10478977 | 42MT  |
| 10478980 | 42MT  |
| 10478981 | 42MT  |
| 10478983 | 42MT  |
| 10478984 | 42MT  |
| 10478985 | 42MT  |
| 10478986 | 42MT  |
| 10478987 | 42MT  |
| 10478988 | 42MT  |
| 10478989 | 42MT  |

| Part No. | Model |
|----------|-------|
| 10478990 | 42MT  |
| 10478991 | 42MT  |
| 10478992 | 42MT  |
| 10478996 | 42MT  |
| 10478998 | 42MT  |
| 10478999 | 41MT  |
| 10479001 | 50MT  |
| 10479003 | 42MT  |
| 10479004 | 42MT  |
| 10479005 | 42MT  |
| 10479006 | 42MT  |
| 10479008 | 42MT  |
| 10479009 | 42MT  |
| 10479010 | 42MT  |
| 10479013 | 41MT  |
| 10479015 | 37MT  |
| 10479017 | 42MT  |
| 10479018 | 42MT  |
| 10479019 | 42MT  |
| 10479021 | 42MT  |
| 10479022 | 42MT  |
| 10479023 | 41MT  |
| 10479024 | 41MT  |
| 10479026 | 42MT  |
| 10479027 | 42MT  |
| 10479028 | 42MT  |
| 10479030 | 42MT  |
| 10479034 | 37MT  |
| 10479036 | 37MT  |
| 10479040 | 42MT  |
| 10479041 | 42MT  |
| 10479043 | 41MT  |
| 10479047 | 37MT  |
| 10479049 | 42MT  |
| 10479050 | 50MT  |
| 10479052 | 42MT  |
| 10479053 | 42MT  |
| 10479054 | 37MT  |
| 10479060 | 41MT  |
| 10479062 | 42MT  |
| 10479063 | 42MT  |
| 10479064 | 42MT  |
| 10479067 | 42MT  |
| 10479068 | 37MT  |
| 10479069 | 37MT  |
| 10479071 | 41MT  |
| 10479072 | 42MT  |
| 10479079 | 41MT  |
| 10479081 | 42MT  |
| 10479091 | 42MT  |
| 10479092 | 42MT  |
| 10479096 | 42MT  |
| 10479098 | 41MT  |
| 10479102 | 41MT  |
| 10479104 | 42MT  |

| Part No. | Model |
|----------|-------|
| 10479105 | 42MT  |
| 10479106 | 37MT  |
| 10479108 | 37MT  |
| 10479109 | 41MT  |
| 10479110 | 42MT  |
| 10479111 | 42MT  |
| 10479112 | 42MT  |
| 10479113 | 42MT  |
| 10479114 | 42MT  |
| 10479115 | 42MT  |
| 10479116 | 42MT  |
| 10479117 | 42MT  |
| 10479118 | 42MT  |
| 10479119 | 42MT  |
| 10479120 | 42MT  |
| 10479121 | 41MT  |
| 10479123 | 50MT  |
| 10479124 | 50MT  |
| 10479125 | 50MT  |
| 10479126 | 50MT  |
| 10479130 | 42MT  |
| 10479131 | 42MT  |
| 10479132 | 42MT  |
| 10479136 | 42MT  |
| 10479137 | 50MT  |
| 10479138 | 50MT  |
| 10479142 | 42MT  |
| 10479144 | 50MT  |
| 10479145 | 50MT  |
| 10479146 | 42MT  |
| 10479147 | 42MT  |
| 10479148 | 41MT  |
| 10479149 | 42MT  |
| 10479150 | 42MT  |
| 10479151 | 42MT  |
| 10479152 | 50MT  |
| 10479153 | 50MT  |
| 10479154 | 42MT  |
| 10479155 | 42MT  |
| 10479156 | 42MT  |
| 10479157 | 42MT  |
| 10479158 | 42MT  |
| 10479159 | 42MT  |
| 10479160 | 42MT  |
| 10479161 | 42MT  |
| 10479162 | 42MT  |
| 10479163 | 42MT  |
| 10479164 | 42MT  |
| 10479165 | 41MT  |
| 10479167 | 50MT  |
| 10479168 | 42MT  |
| 10479169 | 37MT  |
| 10479171 | 42MT  |
| 10479172 | 41MT  |
| 10479176 | 37MT  |

| Part No. | Model |
|----------|-------|
| 10479178 | 42MT  |
| 10479179 | 37MT  |
| 10479180 | 37MT  |
| 10479181 | 37MT  |
| 10479182 | 42MT  |
| 10479183 | 42MT  |
| 10479185 | 42MT  |
| 10479187 | 37MT  |
| 10479188 | 37MT  |
| 10479190 | 50MT  |
| 10479191 | 42MT  |
| 10479192 | 42MT  |
| 10479193 | 42MT  |
| 10479194 | 42MT  |
| 10479195 | 37MT  |
| 10479196 | 37MT  |
| 10479197 | 41MT  |
| 10479199 | 50MT  |
| 10479201 | 50MT  |
| 10479205 | 41MT  |
| 10479206 | 41MT  |
| 10479209 | 42MT  |
| 10479211 | 42MT  |
| 10479212 | 42MT  |
| 10479213 | 42MT  |
| 10479214 | 37MT  |
| 10479215 | 41MT  |
| 10479221 | 41MT  |
| 10479223 | 42MT  |
| 10479224 | 42MT  |
| 10479225 | 42MT  |
| 10479226 | 41MT  |
| 10479228 | 42MT  |
| 10479230 | 37MT  |
| 10479232 | 41MT  |
| 10479234 | 50MT  |
| 10479235 | 41MT  |
| 10479238 | 42MT  |
| 10479242 | 41MT  |
| 10479243 | 41MT  |
| 10479244 | 41MT  |
| 10479246 | 41MT  |
| 10479249 | 41MT  |
| 10479250 | 41MT  |
| 10479251 | 42MT  |
| 10479252 | 42MT  |
| 10479256 | 50MT  |
| 10479261 | 42MT  |
| 10479262 | 41MT  |
| 10479263 | 41MT  |
| 10479264 | 42MT  |
| 10479265 | 42MT  |
| 10479266 | 42MT  |
| 10479267 | 42MT  |
| 10479268 | 50MT  |



# Model Index

| Part No. | Model | Part No. | Model | Part No. | Model | Part No. | Model |
|----------|-------|----------|-------|----------|-------|----------|-------|
| 10479271 | 50MT  | 10479363 | 41MT  | 10511065 | 42MT  | 19010120 | 21SI  |
| 10479272 | 50MT  | 10479368 | 50MT  | 12301281 | 10MT  | 19010124 | 21SI  |
| 10479273 | 42MT  | 10479372 | 50MT  | 12301289 | 10MT  | 19010125 | 21SI  |
| 10479275 | 41MT  | 10479374 | 50MT  | 12301331 | 20MT  | 19010126 | 21SI  |
| 10479276 | 42MT  | 10479604 | 28MT  | 12301341 | 20MT  | 19010127 | 21SI  |
| 10479277 | 42MT  | 10479605 | 28MT  | 12301346 | 20MT  | 19010129 | 21SI  |
| 10479278 | 41MT  | 10479607 | 28MT  | 12301351 | 20MT  | 19010134 | 21SI  |
| 10479281 | 42MT  | 10479614 | 28MT  | 12301354 | 20MT  | 19010136 | 21SI  |
| 10479282 | 42MT  | 10479615 | 28MT  | 12301358 | 30MT  | 19010137 | 21SI  |
| 10479283 | 41MT  | 10479616 | 28MT  | 12301370 | 30MT  | 19010138 | 21SI  |
| 10479285 | 42MT  | 10479617 | 28MT  | 12303573 | 10MT  | 19010141 | 21SI  |
| 10479286 | 42MT  | 10479618 | 28MT  | 12304044 | 10MT  | 19010145 | 21SI  |
| 10479287 | 42MT  | 10479621 | 28MT  | 12304203 | 10MT  | 19010146 | 21SI  |
| 10479288 | 42MT  | 10479622 | 28MT  | 12304737 | 10MT  | 19010147 | 21SI  |
| 10479289 | 42MT  | 10479623 | 28MT  | 12309098 | 10MT  | 19010148 | 21SI  |
| 10479290 | 42MT  | 10479624 | 28MT  | 15035444 | 41MT  | 19010150 | 21SI  |
| 10479291 | 42MT  | 10479625 | 28MT  | 15744813 | 41MT  | 19010153 | 21SI  |
| 10479292 | 41MT  | 10479628 | 28MT  | 15744814 | 41MT  | 19010154 | 21SI  |
| 10479293 | 41MT  | 10479630 | 28MT  | 15744815 | 41MT  | 19010155 | 21SI  |
| 10479294 | 42MT  | 10479634 | 28MT  | 19010000 | 26SI  | 19010156 | 21SI  |
| 10479295 | 42MT  | 10479638 | 28MT  | 19010001 | 26SI  | 19010157 | 21SI  |
| 10479297 | 50MT  | 10479640 | 28MT  | 19010002 | 26SI  | 19010158 | 21SI  |
| 10479299 | 41MT  | 10479641 | 28MT  | 19010003 | 26SI  | 19010159 | 21SI  |
| 10479300 | 41MT  | 10479642 | 28MT  | 19010005 | 26SI  | 19010160 | 21SI  |
| 10479303 | 42MT  | 10479643 | 28MT  | 19010006 | 26SI  | 19010161 | 21SI  |
| 10479305 | 37MT  | 10479644 | 28MT  | 19010007 | 26SI  | 19010162 | 21SI  |
| 10479306 | 37MT  | 10479645 | 28MT  | 19010008 | 26SI  | 19010163 | 21SI  |
| 10479307 | 41MT  | 10479648 | 28MT  | 19010009 | 26SI  | 19010164 | 21SI  |
| 10479308 | 42MT  | 10479650 | 28MT  | 19010010 | 26SI  | 19010165 | 21SI  |
| 10479309 | 50MT  | 10479656 | 28MT  | 19010011 | 26SI  | 19010166 | 21SI  |
| 10479323 | 50MT  | 10479850 | 12SI  | 19010012 | 26SI  | 19010168 | 21SI  |
| 10479324 | 50MT  | 10479867 | 17SI  | 19010013 | 26SI  | 19010169 | 21SI  |
| 10479326 | 50MT  | 10480058 | 10SI  | 19010014 | 26SI  | 19010170 | 21SI  |
| 10479327 | 50MT  | 10480060 | 10SI  | 19010018 | 26SI  | 19010171 | 21SI  |
| 10479328 | 50MT  | 10495382 | 10SI  | 19010019 | 26SI  | 19010172 | 21SI  |
| 10479329 | 50MT  | 10495396 | 5MT   | 19010020 | 26SI  | 19010173 | 21SI  |
| 10479330 | 50MT  | 10495397 | 5MT   | 19010022 | 26SI  | 19010174 | 21SI  |
| 10479332 | 50MT  | 10495524 | 5MT   | 19010023 | 26SI  | 19010175 | 21SI  |
| 10479334 | 50MT  | 10496868 | 10MT  | 19010025 | 26SI  | 19010176 | 21SI  |
| 10479335 | 50MT  | 10496869 | 10MT  | 19010026 | 26SI  | 19010178 | 21SI  |
| 10479336 | 50MT  | 10496870 | 10MT  | 19010100 | 21SI  | 19010179 | 21SI  |
| 10479337 | 50MT  | 10496871 | 10MT  | 19010101 | 21SI  | 19010180 | 21SI  |
| 10479338 | 50MT  | 10496872 | 10MT  | 19010102 | 21SI  | 19010181 | 21SI  |
| 10479339 | 50MT  | 10496873 | 10MT  | 19010103 | 21SI  | 19010182 | 21SI  |
| 10479340 | 50MT  | 10496874 | 10MT  | 19010104 | 21SI  | 19010183 | 21SI  |
| 10479341 | 50MT  | 10496875 | 10MT  | 19010105 | 21SI  | 19010184 | 21SI  |
| 10479342 | 50MT  | 10496876 | 10MT  | 19010108 | 21SI  | 19010185 | 21SI  |
| 10479343 | 50MT  | 10496877 | 10MT  | 19010110 | 21SI  | 19010186 | 21SI  |
| 10479344 | 50MT  | 10496878 | 10MT  | 19010111 | 21SI  | 19010187 | 21SI  |
| 10479345 | 50MT  | 10496879 | 10MT  | 19010112 | 21SI  | 19010188 | 21SI  |
| 10479346 | 50MT  | 10496880 | 10MT  | 19010113 | 21SI  | 19010189 | 21SI  |
| 10479351 | 50MT  | 10496881 | 27MT  | 19010114 | 21SI  | 19010190 | 21SI  |
| 10479352 | 50MT  | 10496884 | 27MT  | 19010115 | 21SI  | 19010191 | 21SI  |
| 10479353 | 50MT  | 10496886 | 27MT  | 19010116 | 21SI  | 19010192 | 21SI  |
| 10479357 | 42MT  | 10497177 | 27SI  | 19010118 | 21SI  | 19010193 | 21SI  |



# Model Index

| Part No. | Model | Part No. | Model | Part No. | Model | Part No. | Model |
|----------|-------|----------|-------|----------|-------|----------|-------|
| 19010194 | 21SI  | 19011163 | 33SI  | 19011244 | 35SI  | 19011531 | 39MT  |
| 19010195 | 21SI  | 19011165 | 33SI  | 19011246 | 35SI  | 19020203 | 11SI  |
| 19010196 | 21SI  | 19011167 | 34SI  | 19011247 | 35SI  | 19020204 | 11SI  |
| 19010197 | 21SI  | 19011168 | 34SI  | 19011248 | 35SI  | 19020207 | 11SI  |
| 19010199 | 21SI  | 19011169 | 34SI  | 19011249 | 35SI  | 19020208 | 11SI  |
| 19010200 | 21SI  | 19011170 | 34SI  | 19011252 | 35SI  | 19020300 | 22SI  |
| 19010202 | 21SI  | 19011171 | 33SI  | 19011253 | 35SI  | 19020302 | 22SI  |
| 19010204 | 21SI  | 19011172 | 34SI  | 19011255 | 35SI  | 19020303 | 22SI  |
| 19010207 | 21SI  | 19011173 | 33SI  | 19011258 | 35SI  | 19020304 | 22SI  |
| 19010209 | 21SI  | 19011174 | 33SI  | 19011260 | 35SI  | 19020305 | 22SI  |
| 19010210 | 21SI  | 19011175 | 33SI  | 19011261 | 35SI  | 19020306 | 22SI  |
| 19010211 | 21SI  | 19011176 | 34SI  | 19011262 | 35SI  | 19020307 | 22SI  |
| 19010212 | 21SI  | 19011177 | 34SI  | 19011263 | 35SI  | 19020308 | 22SI  |
| 19010213 | 21SI  | 19011179 | 34SI  | 19011264 | 35SI  | 19020309 | 22SI  |
| 19011000 | 23SI  | 19011180 | 33SI  | 19011265 | 35SI  | 19020310 | 22SI  |
| 19011001 | 23SI  | 19011182 | 33SI  | 19011266 | 35SI  | 19020311 | 22SI  |
| 19011002 | 23SI  | 19011183 | 34SI  | 19011267 | 35SI  | 19020312 | 22SI  |
| 19011003 | 23SI  | 19011185 | 34SI  | 19011268 | 35SI  | 19020314 | 22SI  |
| 19011004 | 23SI  | 19011186 | 34SI  | 19011269 | 35SI  | 19020345 | 22SI  |
| 19011005 | 23SI  | 19011187 | 34SI  | 19011272 | 35SI  | 19020346 | 22SI  |
| 19011006 | 23SI  | 19011188 | 34SI  | 19011273 | 35SI  | 19020347 | 22SI  |
| 19011007 | 23SI  | 19011189 | 34SI  | 19011274 | 34SI  | 19020349 | 22SI  |
| 19011008 | 23SI  | 19011191 | 34SI  | 19011275 | 36SI  | 19020352 | 22SI  |
| 19011009 | 23SI  | 19011192 | 33SI  | 19011276 | 36SI  | 19020354 | 22SI  |
| 19011010 | 23SI  | 19011193 | 33SI  | 19011277 | 36SI  | 19020355 | 22SI  |
| 19011011 | 23SI  | 19011195 | 34SI  | 19011400 | 29MT  | 19020356 | 22SI  |
| 19011012 | 23SI  | 19011200 | 33SI  | 19011402 | 29MT  | 19020357 | 22SI  |
| 19011013 | 23SI  | 19011201 | 34SI  | 19011403 | 29MT  | 19020358 | 22SI  |
| 19011014 | 23SI  | 19011202 | 34SI  | 19011404 | 29MT  | 19020359 | 22SI  |
| 19011015 | 23SI  | 19011203 | 33SI  | 19011407 | 29MT  | 19020360 | 22SI  |
| 19011016 | 23SI  | 19011204 | 34SI  | 19011409 | 29MT  | 19020361 | 22SI  |
| 19011017 | 23SI  | 19011205 | 34SI  | 19011505 | 39MT  | 19020362 | 22SI  |
| 19011018 | 23SI  | 19011206 | 34SI  | 19011506 | 39MT  | 19020363 | 22SI  |
| 19011019 | 23SI  | 19011207 | 34SI  | 19011507 | 39MT  | 19020364 | 22SI  |
| 19011022 | 23SI  | 19011208 | 34SI  | 19011508 | 39MT  | 19020365 | 22SI  |
| 19011023 | 23SI  | 19011209 | 34SI  | 19011509 | 39MT  | 19020366 | 22SI  |
| 19011100 | 31SI  | 19011210 | 33SI  | 19011510 | 39MT  | 19020374 | 22SI  |
| 19011101 | 31SI  | 19011211 | 33SI  | 19011511 | 39MT  | 19020375 | 22SI  |
| 19011104 | 31SI  | 19011212 | 33SI  | 19011512 | 39MT  | 19020376 | 22SI  |
| 19011105 | 31SI  | 19011215 | 34SI  | 19011513 | 39MT  | 19020377 | 22SI  |
| 19011107 | 31SI  | 19011216 | 34SI  | 19011514 | 39MT  | 19020378 | 22SI  |
| 19011112 | 31SI  | 19011217 | 33SI  | 19011515 | 39MT  | 19020379 | 22SI  |
| 19011150 | 33SI  | 19011218 | 33SI  | 19011516 | 39MT  | 19020380 | 22SI  |
| 19011151 | 33SI  | 19011219 | 34SI  | 19011517 | 39MT  | 19020381 | 22SI  |
| 19011152 | 33SI  | 19011220 | 33SI  | 19011518 | 39MT  | 19020382 | 22SI  |
| 19011153 | 33SI  | 19011224 | 36SI  | 19011519 | 39MT  | 19020383 | 22SI  |
| 19011154 | 33SI  | 19011225 | 36SI  | 19011521 | 39MT  | 19020384 | 22SI  |
| 19011155 | 33SI  | 19011226 | 36SI  | 19011522 | 39MT  | 19020385 | 22SI  |
| 19011156 | 33SI  | 19011227 | 35SI  | 19011523 | 39MT  | 19020386 | 22SI  |
| 19011157 | 34SI  | 19011228 | 35SI  | 19011524 | 39MT  | 19020387 | 22SI  |
| 19011158 | 33SI  | 19011229 | 35SI  | 19011525 | 39MT  | 19020388 | 22SI  |
| 19011159 | 33SI  | 19011231 | 35SI  | 19011526 | 39MT  | 19020389 | 22SI  |
| 19011160 | 33SI  | 19011232 | 35SI  | 19011527 | 39MT  | 19020391 | 22SI  |
| 19011161 | 33SI  | 19011233 | 35SI  | 19011529 | 39MT  | 19020392 | 22SI  |
| 19011162 | 33SI  | 19011234 | 35SI  | 19011530 | 39MT  | 19020393 | 22SI  |

# Model Index

| Part No. | Model | Part No. | Model | Part No. | Model | Part No. | Model   |
|----------|-------|----------|-------|----------|-------|----------|---------|
| 19020394 | 22SI  | 19020615 | 7SI   | 19020812 | 22SI  | 19020900 | 24SI    |
| 19020395 | 22SI  | 19020616 | 7SI   | 19020813 | 22SI  | 19020901 | 24SI    |
| 19020396 | 22SI  | 19020617 | 7SI   | 19020815 | 22SI  | 19020902 | 24SI    |
| 19020399 | 22SI  | 19020704 | 5SI   | 19020818 | 22SI  | 19020903 | 24SI    |
| 19020501 | 10SI  | 19020707 | 5SI   | 19020819 | 22SI  | 19025330 | T1 Type |
| 19020516 | 10SI  | 19020800 | 22SI  | 19020820 | 22SI  | 19025331 | T1 Type |
| 19020532 | 10SI  | 19020801 | 22SI  | 19020821 | 22SI  | 19025333 | T1 Type |
| 19020600 | 7SI   | 19020802 | 22SI  | 19020822 | 22SI  | 19025336 | T1 Type |
| 19020601 | 7SI   | 19020803 | 22SI  | 19020823 | 22SI  | 19025337 | T1 Type |
| 19020604 | 7SI   | 19020804 | 22SI  | 19020824 | 22SI  | 19026027 | 38MT    |
| 19020606 | 7SI   | 19020805 | 22SI  | 19020825 | 22SI  | 19026028 | 38MT    |
| 19020608 | 7SI   | 19020806 | 22SI  | 19020834 | 22SI  | 19026029 | 38MT    |
| 19020609 | 7SI   | 19020807 | 22SI  | 19020835 | 22SI  | 19026030 | 38MT    |
| 19020611 | 7SI   | 19020808 | 22SI  | 19020836 | 22SI  | 19026032 | 38MT    |
| 19020612 | 7SI   | 19020809 | 22SI  | 19020839 | 22SI  | 19026035 | 38MT    |
| 19020613 | 7SI   | 19020810 | 22SI  | 19020888 | 22SI  | 19070022 | 18SI    |
| 19020614 | 7SI   | 19020811 | 22SI  | 19020889 | 22SI  |          |         |

# Competitor Cross Reference

| AC DELCO |            |       |
|----------|------------|-------|
| Part No. | Delco Remy |       |
|          | Part No.   | Model |
| 10461438 | 10479243   | 41MT  |
| 19116395 | 8700055    | 22SI  |
| 19116397 | 8700054    | 22SI  |
| 88860413 | 10465295   | 28MT  |
| 88860417 | 19020310   | 22SI  |
| 88860418 | 10461170   | 37MT  |
| 88860419 | 10461075   | 42MT  |
| 88860425 | 10465043   | 28MT  |
| 88860766 | 10459076   | 26SI  |
| 88860768 | 10459064   | 26SI  |
| 88860770 | 10459065   | 26SI  |
| 88860774 | 10461141   | 42MT  |
| 88860778 | 10461169   | 37MT  |
| 89032297 | 10479047   | 37MT  |
| 89049247 | 10479339   | 50MT  |
| 321-641  | 10459004   | 30SI  |
| 321-643  | 10459009   | 30SI  |
| 321-645  | 1117734    | 30SI  |
|          | 1117746    | 30SI  |
| 321-646  | 1117733    | 30SI  |
| 321-660  | 1117647    | 20SI  |
|          | 1117655    | 20SI  |
| 321-665  | 10459319   | 20SI  |
| 321-666  | 10459020   | 20SI  |
|          | 1117641    | 20SI  |
| 321-670  | 10459008   | 30SI  |
|          | 1117801    | 30SI  |
| 321-671  | 10459002   | 30SI  |
|          | 10459057   | 30SI  |
|          | 1117805    | 30SI  |
| 321-674  | 10459013   | 21SI  |
|          | 19010105   | 21SI  |
|          | 19010181   | 21SI  |
| 321-676  | 10459046   | 21SI  |
| 321-677  | 10459049   | 21SI  |
| 321-687  | 10459037   | 21SI  |
|          | 1117965    | 21SI  |
|          | 19010166   | 21SI  |
| 321-697  | 19010000   | 26SI  |
|          | 19010002   | 26SI  |
| 321-698  | 19010001   | 26SI  |
| 321-699  | 10459067   | 26SI  |
| 321-702  | 10459077   | 26SI  |
| 321-707  | 10459066   | 26SI  |
| 321-708  | 10459079   | 30SI  |

| AC DELCO |            |       |
|----------|------------|-------|
| Part No. | Delco Remy |       |
|          | Part No.   | Model |
| 321-710  | 10459120   | 30SI  |
|          | 1117817    | 30SI  |
| 321-711  | 10459121   | 50DN  |
| 321-712  | 10459122   | 50DN  |
| 321-713  | 10459123   | 50DN  |
| 321-714  | 10459124   | 50DN  |
| 321-719  | 10459013   | 21SI  |
| 321-726  | 10459161   | 26SI  |
|          | 10459188   | 22SI  |
| 321-738  | 19020300   | 22SI  |
|          | 10459189   | 22SI  |
| 321-739  | 19020302   | 22SI  |
|          | 10459051   | 21SI  |
| 321-740  | 10459189   | 22SI  |
|          | 10459190   | 22SI  |
|          | 10459196   | 33SI  |
| 321-748  | 19011153   | 33SI  |
|          | 19020310   | 22SI  |
| 321-749  | 19020310   | 22SI  |
| 321-750  | 10459204   | 22SI  |
| 321-756  | 10459261   | 21SI  |
|          | 19010200   | 21SI  |
| 321-769  | 10459311   | 33SI  |
| 321-791  | 10459456   | 22SI  |
| 321-792  | 10459468   | 22SI  |
| 321-796  | 10459481   | 22SI  |
| 321-798  | 10459483   | 22SI  |
| 321-809  | 10459275   | 23SI  |
| 321-812  | 10459596   | 22SI  |
| 321-822  | 8700055    | 22SI  |
| 321-823  | 8700053    | 22SI  |
| 321-824  | 8700054    | 22SI  |
| 321-835  | 10459076   | 26SI  |
| 321-836  | 10459064   | 26SI  |
| 321-837  | 10459065   | 26SI  |
| 321-839  | 10459303   | 23SI  |
| 321-840  | 8700016    | 35SI  |
| 321-841  | 8700017    | 35SI  |
| 321-842  | 8700018    | 35SI  |
| 323-1187 | 1113285    | 28MT  |
| 323-1188 | 10465150   | 28MT  |
| 323-437  | 1113274    | 28MT  |
| 323-438  | 10461446   | 28MT  |
|          | 1113275    | 28MT  |
| 323-439  | 1113275    | 28MT  |
| 323-442  | 10461450   | 28MT  |

| AC DELCO |            |       |
|----------|------------|-------|
| Part No. | Delco Remy |       |
|          | Part No.   | Model |
| 323-442  | 1113281    | 28MT  |
| 323-443  | 1113281    | 28MT  |
| 323-447  | 10465168   | 28MT  |
|          | 1113296    | 28MT  |
| 323-451  | 10461445   | 28MT  |
|          | 1113273    | 28MT  |
| 323-482  | 10465239   | 28MT  |
| 323-504  | 10465151   | 28MT  |
|          | 10479615   | 28MT  |
|          | 10479618   | 28MT  |
| 323-6000 | 10465295   | 28MT  |
| 323-6001 | 10461170   | 37MT  |
| 323-6002 | 10461075   | 42MT  |
| 323-6003 | 10461141   | 42MT  |
| 323-6004 | 10461169   | 37MT  |
| 323-6005 | 10465043   | 28MT  |
| 323-611  | 10461059   | 40MT  |
| 323-623  | 10461060   | 40MT  |
| 323-761  | 10479339   | 50MT  |
| 323-766  | 10461161   | 50MT  |
| 323-767  | 10461159   | 50MT  |
| 323-773  | 10461045   | 40MT  |
|          | 1114985    | 40MT  |
| 323-774  | 10461046   | 40MT  |
|          | 1114986    | 40MT  |
| 323-775  | 10461047   | 40MT  |
|          | 1114987    | 40MT  |
| 323-777  | 10461107   | 40MT  |
| 323-782  | 1990210    | 40MT  |
| 323-790  | 1109555    | 50MT  |
| 323-818  | 10461044   | 37MT  |
| 323-829  | 10461051   | 42MT  |
|          | 10461050   | 42MT  |
|          | 1990379    | 42MT  |
| 323-830  | 1990405    | 42MT  |
|          | 10461069   | 37MT  |
| 323-840  | 10461058   | 37MT  |
| 323-842  | 10461008   | 37MT  |
| 323-843  | 10461066   | 37MT  |
| 323-847  | 10461013   | 37MT  |
| 323-849  | 10461015   | 37MT  |
| 323-850  | 10461016   | 37MT  |
|          | 10461021   | 42MT  |
| 323-855  | 1993795    | 42MT  |
|          | 10461133   | 42MT  |
| 323-856  | 10461133   | 42MT  |

# Competitor Cross Reference

| AC DELCO       |            |       | AC DELCO             |                   |                      | BOSCH                 |                      |          |
|----------------|------------|-------|----------------------|-------------------|----------------------|-----------------------|----------------------|----------|
| Part No.       | Delco Remy |       | Part No.             | Delco Remy        |                      | Part No.              | Delco Remy           |          |
|                | Part No.   | Model |                      | Part No.          | Model                |                       | Part No.             | Model    |
| <b>323-858</b> | 10461024   | 42MT  | <b>323-908</b>       | 10461277          | 37MT                 | <b>0-120-689-513</b>  | 19025330             | T1 Type  |
|                | 10461068   | 42MT  |                      | <b>323-910</b>    | 10461089             | 37MT                  | <b>0-120-689-517</b> | 19025333 |
|                | 10478998   | 42MT  | 1993871              |                   | 37MT                 | <b>0-120-689-520</b>  | 19025330             | T1 Type  |
|                | 1990418    | 42MT  | 1993874              | 37MT              | <b>0-120-689-522</b> | 19025333              | T1 Type              |          |
| <b>323-859</b> | 10461025   | 42MT  | <b>323-911</b>       | 1113277           | 28MT                 | <b>0-120-689-527</b>  | 19025333             | T1 Type  |
|                | 1990453    | 42MT  | <b>323-914</b>       | 1993930           | 37MT                 | <b>0-120-689-530</b>  | 19025330             | T1 Type  |
|                | 1993796    | 42MT  | <b>323-915</b>       | 10461298          | 37MT                 | <b>0-120-689-533</b>  | 19025330             | T1 Type  |
| <b>323-864</b> | 10461055   | 42MT  | <b>323-928</b>       | 1990415           | 42MT                 | <b>0-120-689-535</b>  | 19025330             | T1 Type  |
|                | 1990355    | 42MT  |                      | 1990432           | 42MT                 | <b>0-120-689-540</b>  | 19025333             | T1 Type  |
|                | 1990484    | 42MT  | <b>323-933</b>       | 10461031          | 42MT                 | <b>0-120-689-541</b>  | 19025333             | T1 Type  |
| <b>323-866</b> | 1990447    | 42MT  |                      | 10479009          | 42MT                 | <b>0-120-689-542</b>  | 19025333             | T1 Type  |
| <b>323-867</b> | 10461038   | 42MT  | <b>323-934</b>       | 10479010          | 42MT                 | <b>0-120-689-545</b>  | 19025330             | T1 Type  |
|                | 10461052   | 42MT  |                      | 1993933           | 42MT                 | <b>0-120-689-546</b>  | 19025333             | T1 Type  |
|                | 10478895   | 42MT  | <b>323-936</b>       | 10479067          | 42MT                 | <b>0-120-689-548</b>  | 19025331             | T1 Type  |
|                | 10479072   | 42MT  | <b>323-938</b>       | 10461160          | 50MT                 | <b>0-120-689-552</b>  | 19025337             | T1 Type  |
|                | 1990352    | 42MT  |                      | 10478829          | 50MT                 | <b>0-120-689-566</b>  | 19025337             | T1 Type  |
|                | 1990424    | 42MT  | <b>323-939</b>       | 10478830          | 50MT                 | <b>0-120-689-567</b>  | 19025333             | T1 Type  |
|                | 1990483    | 42MT  | <b>323-944</b>       | 10461381          | 50MT                 | <b>0-120-689-571</b>  | 19025330             | T1 Type  |
| <b>323-871</b> | 10461053   | 42MT  | <b>323-946</b>       | 10461408          | 41MT                 | <b>0-986-031-600</b>  | 19025330             | T1 Type  |
|                | 1990490    | 42MT  | <b>323-950</b>       | 10461416          | 37MT                 | <b>0-986-033-520</b>  | 19025330             | T1 Type  |
| <b>323-872</b> | 10461054   | 42MT  |                      | 1993988           | 37MT                 | <b>0-986-033-550</b>  | 19025330             | T1 Type  |
| <b>323-873</b> | 1990489    | 42MT  | <b>323-951</b>       | 10461417          | 41MT                 | <b>0-986-034-610</b>  | 19025331             | T1 Type  |
| <b>323-874</b> | 10461233   | 42MT  |                      | 10479013          | 41MT                 | <b>0-986-034-910</b>  | 19025330             | T1 Type  |
|                | 1990406    | 42MT  | <b>323-954</b>       | 10461414          | 42MT                 | <b>0-986-037-420</b>  | 19025330             | T1 Type  |
| <b>323-877</b> | 10461077   | 42MT  | <b>323-958</b>       | 1993918           | 37MT                 | <b>0-986-038-290</b>  | 19025330             | T1 Type  |
| <b>323-878</b> | 1993788    | 42MT  | <b>323-963</b>       | 10479243          | 41MT                 | <b>0-986-039-530</b>  | 19025333             | T1 Type  |
| <b>323-879</b> | 10461098   | 37MT  | <b>323-966</b>       | 10479238          | 42MT                 | <b>3667812C91</b>     | 8600315              | 28SI     |
|                | 1993963    | 37MT  | <b>323-984</b>       | 10461443          | 28MT                 | <b>AL9920LL</b>       | 8600316              | 28SI     |
|                | 1993964    | 37MT  | <b>323-986</b>       | 10461528          | 41MT                 | <b>AL9921LL</b>       | 8600707              | 38SI     |
| <b>323-880</b> | 10461110   | 37MT  | <b>BOSCH</b>         |                   |                      | 8600314               | 28SI                 |          |
|                | 1993947    | 37MT  | <b>Part No.</b>      | <b>Delco Remy</b> |                      | <b>AL9922LL</b>       | 8600313              | 28SI     |
| <b>323-884</b> | 10461108   | 37MT  |                      | <b>Part No.</b>   | <b>Model</b>         | <b>AL9960LH</b>       | 8600310              | 24SI     |
| <b>323-885</b> | 10461225   | 37MT  | <b>1371018</b>       | 8200330           | 39MT                 | 8600312               | 28SI                 |          |
| <b>323-887</b> | 10461207   | 37MT  | <b>120689535</b>     | 19025330          | T1 Type              | <b>AL9961LH</b>       | 8600315              | 28SI     |
| <b>323-888</b> | 10461209   | 37MT  | <b>120689541</b>     | 19025333          | T1 Type              |                       | 8600889              | 24SI     |
| <b>323-891</b> | 10461165   | 42MT  | <b>120689548</b>     | 19025331          | T1 Type              | <b>AL9961LH787042</b> | 8600889              | 24SI     |
| <b>323-892</b> | 10461164   | 42MT  | <b>124525109</b>     | 8600889           | 24SI                 | <b>AL9962SB</b>       | 8600707              | 38SI     |
| <b>323-897</b> | 10461171   | 41MT  | <b>124525164</b>     | 8600889           | 24SI                 |                       | 8600314              | 28SI     |
|                | 10478999   | 41MT  | <b>124525168</b>     | 8600889           | 24SI                 | <b>AL9963SB</b>       | 8600313              | 28SI     |
| <b>323-898</b> | 10461078   | 42MT  | <b>0-120-689-503</b> | 19025330          | T1 Type              | <b>AM0071</b>         | 8600707              | 38SI     |
| <b>323-900</b> | 1993969    | 37MT  | <b>0-120-689-506</b> | 19025336          | T1 Type              | <b>LH160</b>          | 8600315              | 28SI     |
| <b>323-901</b> | 10461170   | 37MT  | <b>0-120-689-507</b> | 19025333          | T1 Type              | <b>LH200</b>          | 8600314              | 28SI     |
|                | 10478890   | 37MT  | <b>0-120-689-508</b> | 19025330          | T1 Type              | <b>LIL160</b>         | 8600889              | 24SI     |
| <b>323-902</b> | 10461096   | 42MT  | <b>0-120-689-511</b> | 19025331          | T1 Type              | <b>SR10015X</b>       | 10461052             | 42MT     |
|                | 1990355    | 42MT  | <b>0-120-689-512</b> | 19025330          | T1 Type              | <b>SR956X</b>         | 10461052             | 42MT     |

# Competitor Cross Reference

| BOSCH            |            |       |
|------------------|------------|-------|
| Part No.         | Delco Remy |       |
|                  | Part No.   | Model |
| SR9920LH         | 8200308    | 39MT  |
|                  | 10461052   | 42MT  |
| SR9922LH         | 8200434    | 39MT  |
| C. E. NIEHOFF    |            |       |
| Part No.         | Delco Remy |       |
|                  | Part No.   | Model |
| C510             | 8600299    | 40SI  |
| C524             | 8600298    | 40SI  |
| C530             | 8600453    | 55SI  |
| CASE NEW HOLLAND |            |       |
| Part No.         | Delco Remy |       |
|                  | Part No.   | Model |
| 9842667          | 1993988    | 37MT  |
| 87024976         | 19011400   | 29MT  |
| 87038475         | 8600000    | 11SI  |
| 87366159         | 8200014    | 29MT  |
| 87372640         | 8600110    | 36SI  |
| 87523673         | 8200201    | 39MT  |
| 87607509         | 8200274    | 39MT  |
| 177209A1S        | 1990415    | 42MT  |
| 20-2383591       | 10461052   | 42MT  |
| 20-2383T91       | 8200308    | 39MT  |
| 20-2384T91       | 8200308    | 39MT  |
| 396897A1         | 10479281   | 42MT  |
| L128521          | 1993933    | 42MT  |
| DENSO            |            |       |
| Part No.         | Delco Remy |       |
|                  | Part No.   | Model |
| 1454651          | 8200076    | 38MT  |
| 61230359         | 8200076    | 38MT  |
| 4280001210       | 8200308    | 39MT  |
| 028000-5040      | 8200076    | 38MT  |
| 101211-8010      | 8600126    | 36SI  |
| 101211-8020      | 8600064    | 35SI  |
| 101211-8030      | 19020310   | 22SI  |
| 101211-8050      | 8600064    | 35SI  |
| 101211-8060      | 19020310   | 22SI  |
| 101211-8120      | 8600064    | 35SI  |
|                  | 8600126    | 36SI  |
| 101211-8250      | 19020310   | 22SI  |
| 101211-8290      | 8600310    | 24SI  |
| 101211-8380      | 8600066    | 35SI  |
| 101211-8390      | 19020889   | 22SI  |
|                  | 8600127    | 36SI  |
| 10121-8050       | 8600126    | 36SI  |

| DENSO          |            |       |
|----------------|------------|-------|
| Part No.       | Delco Remy |       |
|                | Part No.   | Model |
| 128000-4920    | 8200308    | 39MT  |
| 128000-4921    | 8200308    | 39MT  |
| 128000-6060    | 8200308    | 39MT  |
| 128000-8580    | 8200308    | 39MT  |
| 228000-5850    | 8200076    | 38MT  |
| 228000-5851    | 8200076    | 38MT  |
| 228000-7121    | 8200076    | 38MT  |
| 228000-7371    | 10461170   | 37MT  |
| 228000-8510    | 10461089   | 37MT  |
| 428000-0191    | 10465043   | 28MT  |
| 428000-0310    | 10461454   | 28MT  |
| 428000-1210    | 8200308    | 39MT  |
| 428000-1211    | 8200289    | 39MT  |
| 428000-1212    | 8200308    | 39MT  |
| 428000-1220    | 10461052   | 42MT  |
| 428000-1231    | 8200308    | 39MT  |
| 428000-1420    | 10461050   | 42MT  |
| 428000-1422    | 8200433    | 39MT  |
| 428000-1440    | 10479009   | 42MT  |
| 428000-1441    | 10479009   | 42MT  |
| 428000-1442    | 10479009   | 42MT  |
| 428000-1450    | 1993924    | 42MT  |
| 428000-1451    | 8200330    | 39MT  |
| 428000-1610    | 10461089   | 37MT  |
| 428000-2690    | 8200217    | 38MT  |
| 428000-4420    | 8200308    | 39MT  |
| 428000-4430    | 8200308    | 39MT  |
| 428000-4440    | 8200289    | 39MT  |
| 428000-4450    | 8200287    | 39MT  |
| 428000-4451    | 8200287    | 39MT  |
| 428000-5190    | 8200290    | 39MT  |
| 428000-5730    | 8200290    | 39MT  |
| 428000-8690    | 8200434    | 39MT  |
| AS428000-0310  | 10461454   | 28MT  |
| PA90S          | 8200958    | 35MT  |
| TG428000-4420  | 8200308    | 39MT  |
| TG428000-4430  | 8200308    | 39MT  |
| TG428000-4440  | 8200289    | 39MT  |
| DETROIT DIESEL |            |       |
| Part No.       | Delco Remy |       |
|                | Part No.   | Model |
| R01990210      | 1990210    | 40MT  |
| R0459008       | 10459008   | 30SI  |
| R0459109       | 10459013   | 21SI  |
| R0459121       | 10459121   | 50DN  |

| DETROIT DIESEL |            |       |
|----------------|------------|-------|
| Part No.       | Delco Remy |       |
|                | Part No.   | Model |
| R0459122       | 10459122   | 50DN  |
| R0459123       | 10459123   | 50DN  |
| R0459124       | 10459124   | 50DN  |
| R0459132       | 10459065   | 26SI  |
| R0459134       | 19010105   | 21SI  |
| R0459136       | 10459077   | 26SI  |
| R0459137       | 10459064   | 26SI  |
|                | 19010001   | 26SI  |
| R0459138       | 10459079   | 30SI  |
| R0459148       | 10459076   | 26SI  |
|                | 19010000   | 26SI  |
|                | 19010002   | 26SI  |
| R0459149       | 10459009   | 30SI  |
| R0459151       | 1117734    | 30SI  |
|                | 1117746    | 30SI  |
| R0459189       | 10459189   | 22SI  |
| R0459196       | 10459196   | 33SI  |
|                | 19011153   | 33SI  |
| R0459199       | 10459199   | 34SI  |
|                | 19011168   | 34SI  |
| R0459201       | 1117647    | 20SI  |
| R0459204       | 10459204   | 22SI  |
| R0459207       | 10459120   | 30SI  |
|                | 1117817    | 30SI  |
| R0459319       | 10459319   | 20SI  |
| R0459336       | 10459336   | 21SI  |
| R0459340       | 10459321   | 22SI  |
|                | 19020389   | 22SI  |
| R0459341       | 10459320   | 22SI  |
|                | 19020388   | 22SI  |
| R0459342       | 19020387   | 22SI  |
| R0459368       | 10459368   | 30SI  |
|                | 1117807    | 30SI  |
| R0459457       | 10459457   | 21SI  |
| R0461013       | 10461013   | 37MT  |
| R0461025       | 10461025   | 42MT  |
| R0461044       | 10461044   | 37MT  |
| R0461059       | 10461059   | 40MT  |
| R0461089       | 10461089   | 37MT  |
| R0461126       | 10461038   | 42MT  |
|                | 10461052   | 42MT  |
|                | 10478895   | 42MT  |
|                | 1990352    | 42MT  |
|                | 1990424    | 42MT  |
|                | 1990483    | 42MT  |



# Competitor Cross Reference

| DETROIT DIESEL |            |       | DIXIE     |            |          | DIXIE    |            |          |
|----------------|------------|-------|-----------|------------|----------|----------|------------|----------|
| Part No.       | Delco Remy |       | Part No.  | Delco Remy |          | Part No. | Delco Remy |          |
|                | Part No.   | Model |           | Part No.   | Model    |          | Part No.   | Model    |
| R0461127       | 10461053   | 42MT  | 101-22106 | 19020310   | 22SI     | A-1353   | 10459013   | 21SI     |
|                | 1990490    | 42MT  | 101-22109 | 19020889   | 22SI     |          | 19010105   | 21SI     |
| R0461128       | 10461024   | 42MT  | 101-24108 | 8600310    | 24SI     | A-1354   | 10459046   | 21SI     |
|                | 10461068   | 42MT  | 101-24109 | 8600889    | 24SI     |          | 19010112   | 21SI     |
|                | 10478998   | 42MT  | 101-35112 | 8600064    | 35SI     | A-1355   | 10459049   | 21SI     |
|                | 1990418    | 42MT  | 101-35114 | 8600066    | 35SI     |          | 10459453   | 21SI     |
| R0461159       | 10461159   | 50MT  | 109-16105 | 8600310    | 24SI     | 10459457 | 21SI       |          |
| R0461178       | 8200308    | 39MT  | 109-16128 | 8600889    | 24SI     | A-1358   | 10459037   | 21SI     |
| R0461179       | 1114987    | 40MT  | 200-39103 | 8200308    | 39MT     |          | 19010166   | 21SI     |
| R0461182       | 10461089   | 37MT  | 200-39114 | 8200433    | 39MT     | A-1359   | 19010126   | 21SI     |
|                | 10461333   | 41MT  | 200-46109 | 8200308    | 39MT     | A-1360   | 10459336   | 21SI     |
|                | 10478898   | 41MT  | 201-37107 | 1993874    | 37MT     |          | 19010126   | 21SI     |
| R0461183       | 10461055   | 42MT  | 201-42101 | 1990352    | 42MT     | A-1368   | 10459461   | 21SI     |
|                | 1990355    | 42MT  | 201-42120 | 1990352    | 42MT     |          | 19010108   | 21SI     |
|                | 1990484    | 42MT  | A-1101    | 10459076   | 26SI     | A-1388   | 10459457   | 21SI     |
| R0461184       | 10461054   | 42MT  |           | 19010002   | 26SI     |          | 19010110   | 21SI     |
| R0461185       | 10461075   | 42MT  | A-1102    | 1117733    | 30SI     | A-1442   | 10459066   | 26SI     |
|                | 1990489    | 42MT  | A-1103    | 1117734    | 30SI     |          | 10459120   | 30SI     |
| R0461193       | 1990447    | 42MT  |           | 1117746    | 30SI     | A-1444   | 1117817    | 30SI     |
| R0461194       | 10461133   | 42MT  |           | A-1117     | 10459319 |          | 20SI       | A-1447   |
| R0461199       | 10461069   | 37MT  | 1117645   |            | 20SI     | A-1450   | 10459188   |          |
| R0461233       | 10461233   | 42MT  | 1117647   |            | 20SI     |          | 19020300   | 22SI     |
| R0461339       | 1990415    | 42MT  | 1117655   |            | 20SI     |          | 19020396   | 22SI     |
|                | 1990432    | 42MT  | A-1118    | 10459020   | 20SI     | A-1451   | 10459189   | 22SI     |
| R0461384       | 10461304   | 41MT  |           | 1117641    | 20SI     |          | 19020302   | 22SI     |
|                | 10478812   | 41MT  | A-129     | 10459064   | 26SI     |          | 19020801   | 22SI     |
| R0461385       | 10461169   | 37MT  |           | 19010001   | 26SI     | A-1452   | 10459190   | 22SI     |
|                | 1993969    | 37MT  | A-1329    | 10459009   | 30SI     |          | 19020303   | 22SI     |
| R0461386       | 10461171   | 41MT  |           | 1117807    | 30SI     |          | 19020802   | 22SI     |
|                | 10478999   | 41MT  | A-1331    | 10459065   | 26SI     | A-1456   | 8600064    | 35SI     |
| R0461387       | 10461276   | 37MT  |           | 10459077   | 26SI     |          | A-1457     | 10459196 |
|                | 1993997    | 37MT  | A-1332    | 8600064    | 35SI     | 19011153 |            | 33SI     |
| R0461454       | 10461454   | 28MT  | A-1339    | 10459002   | 30SI     | A-1460   | 10459199   | 34SI     |
| R0461493       | 10461493   | 50MT  |           | 10459057   | 30SI     |          | 19011168   | 34SI     |
| R0465400       | 1113277    | 28MT  |           | 1117805    | 30SI     | A-1474   | 10459064   | 26SI     |
| R0465406       | 10461446   | 28MT  |           | 1117821    | 30SI     |          | 19010001   | 26SI     |
|                | 1113275    | 28MT  | A-1341    | 8700016    | 35SI     | A-1475   | 19010000   | 26SI     |
| R0465407       | 10465043   | 28MT  | A-1342    | 10459037   | 21SI     |          | 19010002   | 26SI     |
| R0465408       | 10465239   | 28MT  | A-1350    | 10459051   | 21SI     | A-1476   | 10459067   | 26SI     |
| R10459123      | 10459123   | 50DN  | A-1351    | 10459461   | 21SI     |          | 10459204   | 22SI     |
| R117655        | 1117655    | 20SI  |           | 10461235   | 21SI     | 10459294 | 23SI       |          |
| R0461504       | 10479079   | 41MT  |           | 19010108   | 21SI     | 19020308 | 22SI       |          |
|                |            |       |           | 19010111   | 21SI     | 19020312 | 22SI       |          |
|                |            |       |           | 19010182   | 21SI     | A-1493   | 19020310   | 22SI     |
|                |            |       |           |            | A-1494   | 19020310 | 22SI       |          |



# Competitor Cross Reference

| DIXIE    |            |       |
|----------|------------|-------|
| Part No. | Delco Remy |       |
|          | Part No.   | Model |
| A-1543   | 10459261   | 21SI  |
|          | 19010200   | 21SI  |
| A-1544   | 1117965    | 21SI  |
| A-1547   | 10459161   | 26SI  |
| A-1553   | 8600066    | 35SI  |
| A-1554   | 10459311   | 33SI  |
|          | 19011210   | 33SI  |
| A-1591   | 10459275   | 23SI  |
| A-1596   | 10459303   | 23SI  |
| A-1609   | 10459306   | 22SI  |
|          | 10459468   | 22SI  |
|          | 19020307   | 22SI  |
|          | 19020346   | 22SI  |
| A-1614   | 10459468   | 22SI  |
| A-1619   | 19020387   | 22SI  |
| A-1620   | 10459320   | 22SI  |
|          | 19020388   | 22SI  |
|          | 19020803   | 22SI  |
|          | 19020888   | 22SI  |
| A-1621   | 8600066    | 35SI  |
| A-1623   | 19020614   | 7SI   |
| A-1660   | 10459481   | 22SI  |
| A-1661   | 10459483   | 22SI  |
| A-1663   | 19020604   | 7SI   |
| A-1664   | 19020608   | 7SI   |
| A-1665   | 19020609   | 7SI   |
| A-1666   | 19020707   | 5SI   |
| A-1667   | 19020706   | 5SI   |
| A-1668   | 19020612   | 7SI   |
| A-1669   | 19020617   | 7SI   |
| A-1671   | 19011165   | 33SI  |
|          | 19020606   | 7SI   |
| A-1672   | 19020616   | 7SI   |
| A-1684   | 19011191   | 34SI  |
| A-1697   | 8600032    | 24SI  |
|          | 8700011    | 24SI  |
| A-1698   | 19020903   | 24SI  |
|          | 8700010    | 24SI  |
| A-1699   | 19020901   | 24SI  |
|          | 8700009    | 24SI  |
| A-1700   | 8600068    | 24SI  |
|          | 8700021    | 24SI  |
| A-1701   | 8600017    | 24SI  |
|          | 8700019    | 24SI  |

| DIXIE    |            |       |
|----------|------------|-------|
| Part No. | Delco Remy |       |
|          | Part No.   | Model |
| A-1702   | 19020902   | 24SI  |
|          | 8700012    | 24SI  |
| A-1703   | 19020900   | 24SI  |
|          | 8700008    | 24SI  |
| A-1704   | 8600043    | 24SI  |
|          | 8700013    | 24SI  |
| A-1707   | 8600126    | 36SI  |
|          | 8700046    | 36SI  |
| A-1708   | 8600125    | 36SI  |
|          | 8700045    | 36SI  |
| A-1709   | 8600127    | 36SI  |
|          | 8700047    | 36SI  |
| A-1710   | 8600082    | 36SI  |
|          | 8700041    | 36SI  |
| A-1711   | 8700040    | 36SI  |
| A-1712   | 8600015    | 36SI  |
|          | 8700039    | 36SI  |
| A-1714   | 8600110    | 36SI  |
| A-1719   | 8600064    | 35SI  |
|          | 8700016    | 35SI  |
| A-1720   | 8600065    | 35SI  |
|          | 8700017    | 35SI  |
| A-1721   | 8600066    | 35SI  |
|          | 8700018    | 35SI  |
| A-1722   | 19020207   | 11SI  |
| A-1723   | 19020208   | 11SI  |
|          | 8600000    | 11SI  |
| A-1726   | 8600030    | 11SI  |
| A-1734   | 10459596   | 22SI  |
| A-1736   | 19020386   | 22SI  |
| A-1751   | 8600310    | 24SI  |
| A-1784   | 8600310    | 24SI  |
| A-1785   | 8600889    | 24SI  |
| A-1920   | 10459121   | 50DN  |
| A-1921   | 10459123   | 50DN  |
| A-1922   | 10459124   | 50DN  |
| A-760    | 8600308    | 28SI  |
| A-772    | 8600310    | 24SI  |
| A-795    | 8600307    | 28SI  |
| A8760    | 8600126    | 36SI  |
| A-9426   | 8600889    | 24SI  |
| A-9448   | 8600310    | 24SI  |
| S-1083   | 10461047   | 40MT  |
|          | 1114987    | 40MT  |
| S-1104   | 10461059   | 40MT  |

| DIXIE    |            |       |
|----------|------------|-------|
| Part No. | Delco Remy |       |
|          | Part No.   | Model |
| S-1107   | 8200308    | 39MT  |
| S-1131   | 8200308    | 39MT  |
| S-1132   | 10461046   | 40MT  |
|          | 1114986    | 40MT  |
| S-1139   | 10461107   | 40MT  |
| S-1232   | 8200308    | 39MT  |
| S-1265   | 8200308    | 39MT  |
| S-1481   | 9000884    | PG260 |
| S-1487   | 9000890    | PG260 |
| S-80135  | 8200308    | 39MT  |
| S-80245  | 8200308    | 39MT  |
| S-80246  | 8200330    | 39MT  |
| S-8213   | 10465168   | 28MT  |
|          | 1113296    | 28MT  |
| S-8308   | 8200308    | 39MT  |
| TS-1061  | 10461739   | 50MT  |
| TS-1160  | 1990210    | 40MT  |
| TS-1177  | 10461060   | 40MT  |
| TS-1298  | 10478827   | 50MT  |
|          | 10478828   | 50MT  |
| TS-1452  | 1109555    | 50MT  |
| TS-1500  | 10461021   | 42MT  |
|          | 10461050   | 42MT  |
|          | 1990379    | 42MT  |
|          | 1990405    | 42MT  |
|          | 1993795    | 42MT  |
| TS1501   | 10461052   | 42MT  |
| TS-1501  | 10461052   | 42MT  |
| TS-1502  | 10461025   | 42MT  |
|          | 10461031   | 42MT  |
|          | 1990366    | 42MT  |
|          | 1990402    | 42MT  |
|          | 1990413    | 42MT  |
|          | 1990453    | 42MT  |
|          | 1993796    | 42MT  |
|          | 10461024   | 42MT  |
| 10461054 | 42MT       |       |
| TS-1503  | 10461068   | 42MT  |
|          | 10478998   | 42MT  |
|          | 1990418    | 42MT  |
| TS-1504  | 10461051   | 42MT  |
| TS-1505  | 10461077   | 42MT  |

# Competitor Cross Reference

| DIXIE          |            |       | DIXIE          |            |                | DIXIE          |            |       |
|----------------|------------|-------|----------------|------------|----------------|----------------|------------|-------|
| Part No.       | Delco Remy |       | Part No.       | Delco Remy |                | Part No.       | Delco Remy |       |
|                | Part No.   | Model |                | Part No.   | Model          |                | Part No.   | Model |
| <b>TS-1512</b> | 10461055   | 42MT  | <b>TS-1604</b> | 10461075   | 42MT           | <b>TS-1653</b> | 10461333   | 41MT  |
|                | 10461096   | 42MT  |                | 1990489    | 42MT           |                | 10478898   | 41MT  |
|                | 10479151   | 42MT  | <b>TS-1605</b> | 10461078   | 42MT           | <b>TS-1655</b> | 10461239   | 41MT  |
|                | 1990355    | 42MT  | <b>TS-1606</b> | 10461169   | 37MT           | <b>TS-1656</b> | 10461265   | 42MT  |
|                | 1990484    | 42MT  |                | 1993969    | 37MT           | <b>TS-1661</b> | 10461164   | 42MT  |
| <b>TS-1534</b> | 10461225   | 37MT  | <b>TS-1607</b> | 10461098   | 37MT           |                | 10461267   | 42MT  |
|                | 10461416   | 37MT  |                | 1993963    | 37MT           | <b>TS-1662</b> | 10461165   | 42MT  |
| <b>TS-1539</b> | 10461008   | 37MT  |                | 1993964    | 37MT           | <b>TS-1667</b> | 10478921   | 37MT  |
|                | 10461066   | 37MT  | <b>TS-1608</b> | 10461110   | 37MT           | <b>TS-1668</b> | 10461304   | 41MT  |
|                | 1993874    | 37MT  |                | 10479047   | 37MT           |                | 10478812   | 41MT  |
| <b>TS-1541</b> | 10461008   | 37MT  |                | 1993947    | 37MT           | <b>TS-1671</b> | 10478957   | 37MT  |
|                | 10461089   | 37MT  | <b>TS-1609</b> | 1993964    | 37MT           | <b>TS-1675</b> | 10461207   | 37MT  |
|                | 1993871    | 37MT  | <b>TS-1610</b> | 10461276   | 37MT           | <b>TS-1676</b> | 10461209   | 37MT  |
| <b>TS-1542</b> | 1993902    | 37MT  |                | 1993997    | 37MT           | <b>TS-1677</b> | 10479060   | 41MT  |
| <b>TS-1545</b> | 10461016   | 37MT  | <b>TS-1611</b> | 10461233   | 42MT           | <b>TS-1681</b> | 10461282   | 41MT  |
| <b>TS-1547</b> | 10461069   | 37MT  |                | 10461329   | 42MT           |                | 10479226   | 41MT  |
|                | 10461108   | 37MT  |                | 10479192   | 42MT           | <b>TS-1682</b> | 10461431   | 41MT  |
| <b>TS-1548</b> | 10461015   | 37MT  |                | 1990406    | 42MT           |                | 10479215   | 41MT  |
|                | 1993917    | 37MT  | <b>TS-1612</b> | 10461141   | 42MT           |                | 10479243   | 41MT  |
| <b>TS-1551</b> | 10461044   | 37MT  |                | 10479067   | 42MT           | <b>TS-1683</b> | 10479036   | 37MT  |
|                | 10461058   | 37MT  |                | 10479130   | 42MT           | <b>TS-1685</b> | 10461414   | 42MT  |
| <b>TS-1558</b> | 10461525   | 37MT  | 1993788        | 42MT       | <b>TS-1686</b> | 10461328       | 42MT       |       |
|                | 1993903    | 37MT  | <b>TS-1615</b> | 10461160   | 50MT           | <b>TS-1687</b> | 10479009   | 42MT  |
| <b>TS-1561</b> | 1993854    | 37MT  |                | 10478829   | 50MT           | <b>TS-1689</b> | 10479010   | 42MT  |
| <b>TS-1562</b> | 10461066   | 37MT  | <b>TS-1616</b> | 10478830   | 50MT           |                | 1993933    | 42MT  |
|                | 10461277   | 37MT  | <b>TS-1618</b> | 1113290    | 28MT           | <b>TS-1694</b> | 10478819   | 37MT  |
| <b>TS-1563</b> | 1993988    | 37MT  | <b>TS-1619</b> | 10479605   | 28MT           | <b>TS1696</b>  | 10461052   | 42MT  |
| <b>TS-1568</b> | 10461013   | 37MT  | <b>TS-1622</b> | 10461486   | 28MT           | <b>TS-1700</b> | 10478832   | 42MT  |
|                | 1993878    | 37MT  |                | 1113291    | 28MT           | <b>TS-1701</b> | 1993958    | 37MT  |
| <b>TS-1570</b> | 1990447    | 42MT  | <b>TS-1623</b> | 1113288    | 28MT           | <b>TS-1706</b> | 1993953    | 37MT  |
| <b>TS-1572</b> | 10461450   | 28MT  | <b>TS-1625</b> | 10465151   | 28MT           | <b>TS-1710</b> | 10461408   | 41MT  |
|                | 1113281    | 28MT  |                | 10479615   | 28MT           | <b>TS-1711</b> | 10461417   | 41MT  |
| <b>TS-1574</b> | 10461443   | 28MT  |                | 10479618   | 28MT           |                | 10479013   | 41MT  |
| <b>TS-1575</b> | 10461445   | 28MT  | <b>TS-1626</b> | 10465150   | 28MT           | <b>TS-1712</b> | 10479307   | 41MT  |
|                | 1113273    | 28MT  | <b>TS-1633</b> | 1113285    | 28MT           | <b>TS-1713</b> | 10461298   | 37MT  |
| <b>TS-1576</b> | 10465295   | 28MT  | <b>TS-1635</b> | 10461170   | 37MT           | <b>TS-1716</b> | 10479071   | 41MT  |
|                | 1113274    | 28MT  |                | 10478890   | 37MT           |                | 10479098   | 41MT  |
| <b>TS-1578</b> | 10465043   | 28MT  | <b>TS-1638</b> | 10478953   | 37MT           | <b>TS-1720</b> | 10461316   | 37MT  |
| <b>TS-1579</b> | 10461446   | 28MT  | <b>TS-1642</b> | 10479616   | 28MT           | <b>TS-1721</b> | 10461474   | 28MT  |
|                | 1113275    | 28MT  | <b>TS-1649</b> | 10479617   | 28MT           | <b>TS-1734</b> | 10461496   | 41MT  |
| <b>TS-1582</b> | 10465239   | 28MT  | <b>TS-1651</b> | 10461240   | 41MT           |                | 10479242   | 41MT  |
| <b>TS-1586</b> | 1993918    | 37MT  |                | 10478818   | 41MT           | <b>TS-1735</b> | 10479079   | 41MT  |
| <b>TS-1602</b> | 1113277    | 28MT  | <b>TS-1652</b> | 10461171   | 41MT           | <b>TS-1736</b> | 10479228   | 42MT  |
| <b>TS-1603</b> | 10461053   | 42MT  |                | 10478999   | 41MT           | <b>TS-1737</b> | 10461528   | 41MT  |
|                | 1990490    | 42MT  |                |            |                |                |            |       |

# Competitor Cross Reference

| DIXIE    |            |       |
|----------|------------|-------|
| Part No. | Delco Remy |       |
|          | Part No.   | Model |
| TS-1743  | 10461777   | 39MT  |
|          | 19011516   | 39MT  |
|          | 19011518   | 39MT  |
|          | 19011529   | 39MT  |
|          | 19011530   | 39MT  |
|          | 8300019    | 39MT  |
| TS-1746  | 19011523   | 39MT  |
| TS-1748  | 19011524   | 39MT  |
| TS-1751  | 19011514   | 39MT  |
| TS-1754  | 8200077    | 38MT  |
|          | 8300024    | 38MT  |
| TS-1755  | 10461769   | 38MT  |
|          | 19026028   | 38MT  |
| TS-1756  | 8200078    | 38MT  |
|          | 8300023    | 38MT  |
| TS-1758  | 10461768   | 38MT  |
|          | 19026027   | 38MT  |
| TS-1763  | 1993930    | 37MT  |
| TS-1765  | 10461770   | 29MT  |
|          | 19011400   | 29MT  |
| TS-1766  | 19011402   | 29MT  |
| TS-1767  | 10461772   | 29MT  |
|          | 19011403   | 29MT  |
| TS-1768  | 10461764   | 29MT  |
|          | 19011407   | 29MT  |
| TS-1769  | 10461765   | 29MT  |
|          | 19011409   | 29MT  |
| TS-1770  | 10461481   | 28MT  |
| TS-1771  | 10461454   | 28MT  |
|          | 10479645   | 28MT  |
| TS-1772  | 10479206   | 41MT  |
| TS-1776  | 10461744   | 50MT  |
|          | 10479343   | 50MT  |
|          | 8200016    | 50MT  |
| TS-1778  | 19026035   | 38MT  |
|          | 8200075    | 38MT  |
|          | 8300026    | 38MT  |
| TS-1779  | 8200007    | 38MT  |
|          | 8300022    | 38MT  |
| TS-1780  | 19011521   | 39MT  |
|          | 8200091    | 39MT  |
|          | 8300009    | 39MT  |
| TS-1782  | 19011515   | 39MT  |
|          | 8300004    | 39MT  |
| TS-1783  | 8200022    | 39MT  |

| DIXIE       |            |       |
|-------------|------------|-------|
| Part No.    | Delco Remy |       |
|             | Part No.   | Model |
| TS-1784     | 19011525   | 39MT  |
|             | 8300008    | 39MT  |
| TS-1785     | 8200081    | 39MT  |
|             | 8300007    | 39MT  |
| TS-1806     | 8200308    | 39MT  |
| TS-1824     | 8200308    | 39MT  |
| TS-1825     | 8200433    | 39MT  |
| DTNA        |            |       |
| Part No.    | Delco Remy |       |
|             | Part No.   | Model |
| 8200329     | 8200329    | 39MT  |
| DR 10479305 | 10479305   | 37MT  |
| DR 10459008 | 10459008   | 30SI  |
| DR 10461052 | 10461052   | 42MT  |
| DR 10461055 | 10461055   | 42MT  |
| DR 10461431 | 10461431   | 41MT  |
| DR 10461738 | 10461738   | 50MT  |
| DR 10461768 | 10461768   | 38MT  |
| DR 10461777 | 10461777   | 39MT  |
| DR 10479299 | 10479299   | 41MT  |
| DR 1117801  | 1117801    | 30SI  |
| DR 19010105 | 19010105   | 21SI  |
| DR 19011518 | 19011518   | 39MT  |
| DR 19011521 | 19011521   | 39MT  |
| DR 19020302 | 19020302   | 22SI  |
| DR 19026027 | 19026027   | 38MT  |
| DR 1990490  | 1990490    | 42MT  |
| DR 8200055  | 8200055    | 41MT  |
| DR 8200077  | 8200077    | 38MT  |
| DR 8200289  | 8200289    | 39MT  |
| DR 8200434  | 8200434    | 39MT  |
| DR 8300008  | 8300008    | 39MT  |
| DR 8300009  | 8300009    | 39MT  |
| DR 8300019  | 8300019    | 39MT  |
| DR 8600043  | 8600043    | 24SI  |
| DR 8600064  | 8600064    | 35SI  |
| DR 8600201  | 8600201    | 28SI  |
| DR 8600203  | 8600203    | 36SI  |
| DR 8600253  | 8600253    | 28SI  |
| DR 8600315  | 8600315    | 28SI  |
| DR 8700017  | 8700017    | 35SI  |
| DR 8600253  | 8600253    | 28SI  |
| DR 10465043 | 10465043   | 28MT  |
| DR 10479305 | 10479305   | 37MT  |

| DTNA           |            |       |
|----------------|------------|-------|
| Part No.       | Delco Remy |       |
|                | Part No.   | Model |
| DR 19011521    | 19011521   | 39MT  |
| DR 8200308     | 8200308    | 39MT  |
| DR 8200329     | 8200329    | 39MT  |
| DR 8300026     | 8300026    | 38MT  |
| DR 8300084     | 8300084    | 39MT  |
| LN 2500LC      | 8600308    | 28SI  |
| LN 8LHA2057VA  | 19020310   | 22SI  |
| LN AVI160J2008 | 8600307    | 28SI  |
| LN AVI160P2007 | 8600314    | 28SI  |
| LN LBA2108GH   | 8600308    | 28SI  |
| LN LBP2180GH   | 8600889    | 24SI  |
| LN LHA2057VGH  | 8600308    | 28SI  |
| LN M105602     | 8200433    | 39MT  |
| LN M105602     | 8200433    | 39MT  |
| EUCLID         |            |       |
| Part No.       | Delco Remy |       |
|                | Part No.   | Model |
| E820108X       | 10459013   | 21SI  |
| E820109X       | 10459037   | 21SI  |
| E820132X       | 10459065   | 26SI  |
| E820200X       | 10459189   | 22SI  |
| E821104X       | 10465043   | 28MT  |
| E-821110X      | 10461044   | 37MT  |
| E-821112X      | 10461008   | 37MT  |
|                | 10461089   | 37MT  |
| E-821114X      | 10461069   | 37MT  |
| E-821115X      | 10461050   | 42MT  |
|                | 1990379    | 42MT  |
| E-821117X      | 10461107   | 40MT  |
| E-821118X      | 10461047   | 40MT  |
|                | 1114987    | 40MT  |
| E-821119X      | 10461045   | 40MT  |
|                | 1114985    | 40MT  |
| E-821122X      | 10461133   | 42MT  |
| E821124X       | 8200308    | 39MT  |
| E-821124X      | 10461052   | 42MT  |
| E-821125X      | 10461055   | 42MT  |
| E-821126X      | 10461024   | 42MT  |
|                | 10461068   | 42MT  |
| E-821127X      | 10461021   | 42MT  |
| E-821128X      | 10461233   | 42MT  |
| E-821131X      | 10461025   | 42MT  |
| E-821142X      | 10465151   | 28MT  |
| E-821149X      | 1990210    | 40MT  |

# Competitor Cross Reference

| FORD          |            |       |
|---------------|------------|-------|
| Part No.      | Delco Remy |       |
|               | Part No.   | Model |
| 4C40-10300-CA | 19020310   | 22SI  |
| 4C40-10300-GA | 8600889    | 24SI  |
| 4C40-11001-CA | 10461765   | 29MT  |
| 4C4Z-10346-CA | 19020310   | 22SI  |
| 4C4Z-10346-FA | 10459320   | 22SI  |
| 4C4Z-10346-GA | 8600889    | 24SI  |
| 4C4Z-10346-LA | 10459204   | 22SI  |
| 4C4Z11002CA   | 19011409   | 29MT  |
| 4C4Z-11002-CA | 10461765   | 29MT  |
| 8C4Z11002BA   | 8200235    | 38MT  |
| C5TF11000A    | 8200308    | 39MT  |
| C5TZ11002C    | 8200308    | 39MT  |
| C6TF11000A    | 8200308    | 39MT  |
| C6TF11000C    | 8200308    | 39MT  |
| C6TF-11000-C  | 8200308    | 39MT  |
| C6TZ11002E    | 8200308    | 39MT  |
| D3TF11001BA   | 8200308    | 39MT  |
| D4TZ11002A    | 8200308    | 39MT  |
| D4TZ11002B    | 8200308    | 39MT  |
| E6HT-11001-CA | 8200308    | 39MT  |
| E6HZ-11002-C  | 8200308    | 39MT  |
| E6HZ11002D    | 8200308    | 39MT  |
| E6HZ-11002-D  | 8200308    | 39MT  |
| E7HS-10346-AA | 1117801    | 30SI  |
| E9HS-10300-BA | 1117801    | 30SI  |
| F0HT-10300-AA | 1117801    | 30SI  |
| F0HT-10300-EA | 1117801    | 30SI  |
| F0HT11001AA   | 8200308    | 39MT  |
| F0HT-11001-AA | 8200308    | 39MT  |
| F0HT11001AB   | 8200308    | 39MT  |
| F0HT-11001-AB | 8200308    | 39MT  |
| F0HT-11002-A  | 8200308    | 39MT  |
| F0HZ-10346-H  | 1117801    | 30SI  |
| F0HZ-11002-A  | 8200308    | 39MT  |
| F3HT10300SA   | 10459065   | 26SI  |
|               | 10459067   | 26SI  |
| F3HT10300TA   | 10459065   | 26SI  |
|               | 10459067   | 26SI  |
| F3HT10300U    | 10459065   | 26SI  |
|               | 10459067   | 26SI  |
| F3HT-11001-AB | 10465150   | 28MT  |
| F3HT-11001-AC | 10465150   | 28MT  |
| F3HT-11001-DB | 10465151   | 28MT  |
| F3HT-11001-DC | 10465151   | 28MT  |
| F3HZ-11002-A  | 10465150   | 28MT  |

| FORD            |            |       |
|-----------------|------------|-------|
| Part No.        | Delco Remy |       |
|                 | Part No.   | Model |
| F3HZ-11002-B    | 10465151   | 28MT  |
| F3HZ-11002-C    | 10461225   | 37MT  |
| F4HT-11001-AA   | 10465150   | 28MT  |
| F4HT-11001-BA   | 10465151   | 28MT  |
| F6HT 11001 CB   | 10479036   | 37MT  |
| F6HT11001AA     | 8200308    | 39MT  |
| F6HT-11001-AA   | 8200308    | 39MT  |
| F6HT11001GA     | 8200308    | 39MT  |
| F6HT-11001-GA   | 8200308    | 39MT  |
| F6HT-11001-HA   | 8200308    | 39MT  |
| F6HZ-10346B     | 10459013   | 21SI  |
| F6HZ-10346-C    | 19020310   | 22SI  |
| F6HZ11002AA     | 8200308    | 39MT  |
| F6HZ-11002-AA   | 8200308    | 39MT  |
| F6HZ-11002-CB   | 10461298   | 37MT  |
|                 | 10479036   | 37MT  |
| F6HZ11002GA     | 8200308    | 39MT  |
| F6HZ-11002-GA   | 8200308    | 39MT  |
| F6HZ-11002-HA   | 8200308    | 39MT  |
| F7HT-11001-AB   | 10461474   | 28MT  |
| F7HT-11001-AC   | 10461474   | 28MT  |
| F7HT-11001-DA   | 8200308    | 39MT  |
| F7HZ10346AA     | 10459077   | 26SI  |
| F7HZ-11002-AB   | 10461474   | 28MT  |
| F7HZ11002CA     | 8200308    | 39MT  |
| F7HZ-11002-DA   | 8200308    | 39MT  |
| SA-756A         | 8200308    | 39MT  |
| XC45-11001-AA   | 10461298   | 37MT  |
| XC4Z 11002 AB   | 10479307   | 41MT  |
|                 | 10461298   | 37MT  |
| XC4Z-11002-AA   | 10461298   | 37MT  |
|                 | 10461298   | 37MT  |
| XC4Z-11002-AARM | 10461298   | 37MT  |
|                 | 10479305   | 37MT  |
| XC4Z-11V002AARM | 10461298   | 37MT  |
|                 | 10479305   | 37MT  |
| GENERAL MOTORS  |            |       |
| Part No.        | Delco Remy |       |
|                 | Part No.   | Model |
| 15744813        | 10479242   | 41MT  |
| 15744814        | 10479243   | 41MT  |
| 15744815        | 10479246   | 41MT  |
| 19116396        | 10459481   | 22SI  |
| 88860413        | 10465295   | 28MT  |
| 88863088        | 10459303   | 23SI  |
| 88863463        | 8700016    | 35SI  |

| GENERAL MOTORS |            |       |
|----------------|------------|-------|
| Part No.       | Delco Remy |       |
|                | Part No.   | Model |
| 88863464       | 8700017    | 35SI  |
| 88863465       | 8700018    | 35SI  |
| 88864167       | 8600064    | 35SI  |
| 93297652       | 9000890    | PG260 |
| ISKRA          |            |       |
| Part No.       | Delco Remy |       |
|                | Part No.   | Model |
| 11.131.935     | 8200289    | 39MT  |
| 11.131.936     | 8200288    | 39MT  |
|                | 8200308    | 39MT  |
| 11.131.979     | 8200291    | 39MT  |
| JOHN DEERE     |            |       |
| Part No.       | Delco Remy |       |
|                | Part No.   | Model |
| RE24305        | 8200308    | 39MT  |
| RE41754        | 8200308    | 39MT  |
| RE41755        | 10461416   | 37MT  |
| SE501452       | 10461416   | 37MT  |
| TY6728         | 8200308    | 39MT  |
| KOMATSU        |            |       |
| Part No.       | Delco Remy |       |
|                | Part No.   | Model |
| ALT1004        | 10459319   | 20SI  |
| ALT1005        | 10459077   | 26SI  |
| ALT1006        | 10459064   | 26SI  |
| ALT1010        | 10459002   | 30SI  |
| ALT1011        | 10459120   | 30SI  |
| ALT1017        | 10459076   | 26SI  |
| ALT1018        | 10459067   | 26SI  |
| ALT1022        | 10461235   | 21SI  |
|                | 10459461   | 21SI  |
| ALT1023        | 19010108   | 21SI  |
|                | 10459311   | 33SI  |
| ALT1024        | 10459311   | 33SI  |
| ALT1025        | 10459306   | 22SI  |
| ALT1026        | 10459468   | 22SI  |
| ALT1029        | 1117655    | 20SI  |
| ALT1030        | 10459196   | 33SI  |
| STR1003        | 10465043   | 28MT  |
|                | 10461486   | 28MT  |
| STR1004        | 1113291    | 28MT  |
|                | 10461008   | 37MT  |
| STR1008        | 10461008   | 37MT  |
| STR1009        | 10461257   | 37MT  |
| STR1010        | 10461016   | 37MT  |

# Competitor Cross Reference

| KOMATSU       |            |         |
|---------------|------------|---------|
| Part No.      | Delco Remy |         |
|               | Part No.   | Model   |
| STR1012       | 10461038   | 42MT    |
|               | 10461052   | 42MT    |
|               | 10478895   | 42MT    |
|               | 10479072   | 42MT    |
|               | 1990352    | 42MT    |
|               | 1990424    | 42MT    |
|               | 1990483    | 42MT    |
| STR1013       | 10461021   | 42MT    |
|               | 1993795    | 42MT    |
| STR1014       | 10461133   | 42MT    |
| STR1015       | 10461024   | 42MT    |
|               | 10461068   | 42MT    |
|               | 10478998   | 42MT    |
|               | 1990418    | 42MT    |
| STR1016       | 10461025   | 42MT    |
|               | 1990453    | 42MT    |
|               | 1993796    | 42MT    |
| STR1017       | 10479339   | 50MT    |
| STR1020       | 10461045   | 40MT    |
|               | 1114985    | 40MT    |
| STR1021       | 1114986    | 40MT    |
| STR1022       | 1114987    | 40MT    |
| STR1026       | 1109555    | 50MT    |
| STR1028       | 10461015   | 37MT    |
| STR1030       | 10461107   | 40MT    |
| STR1034       | 10461417   | 41MT    |
| STR1041       | 8300023    | 38MT    |
| LEECE NEVILLE |            |         |
| Part No.      | Delco Remy |         |
|               | Part No.   | Model   |
| 105613        | 8200433    | 39MT    |
| 105704        | 8200178    | 41MT    |
| 125601        | 8200308    | 39MT    |
| 1277640       | 19025330   | T1 Type |
|               | 19025333   | T1 Type |
| 1277700       | 19025331   | T1 Type |
| 1831227       | 8600094    | 40SI    |
| 3579009       | 8600280    | 40SI    |
| 3587959       | 8600311    | 28SI    |
| 3591557       | 8600315    | 28SI    |
| 3701568       | 8600889    | 24SI    |
| 3711093       | 8600628    | 40SI    |
| 3804481       | 8200972    | 29MT    |
| 3813037       | 8600127    | 36SI    |
|               | 8600338    | 40SI    |

| LEECE NEVILLE |            |       |
|---------------|------------|-------|
| Part No.      | Delco Remy |       |
|               | Part No.   | Model |
| 3863006       | 8600338    | 40SI  |
| 35258820      | 10465239   | 28MT  |
| 35258950      | 1113288    | 28MT  |
| 35259260      | 1993988    | 37MT  |
| 35259550      | 10465150   | 28MT  |
| 35259580      | 10461443   | 28MT  |
| 35259620      | 10465043   | 28MT  |
| 35259630      | 10465151   | 28MT  |
|               | 10479615   | 28MT  |
|               | 10479618   | 28MT  |
| 35259670      | 10461445   | 28MT  |
|               | 1113273    | 28MT  |
| 35259730      | 10461169   | 37MT  |
|               | 1993969    | 37MT  |
| 35259810      | 1993997    | 37MT  |
| 35259830      | 10461069   | 37MT  |
| 35259840      | 10461170   | 37MT  |
| 35260830      | 10461298   | 37MT  |
| 35260840      | 10479307   | 41MT  |
| 35260900      | 10461298   | 37MT  |
| 35261050      | 10461089   | 37MT  |
| 35261185      | 1113277    | 28MT  |
| 35262430      | 8200972    | 29MT  |
| 35262470      | 8200972    | 29MT  |
| 85124897      | 8200308    | 39MT  |
| 105-601       | 10479307   | 41MT  |
| 105-613       | 8200433    | 39MT  |
| 105P55        | 8600889    | 24SI  |
| 110-255       | 8600310    | 24SI  |
| 110-444       | 19020310   | 22SI  |
|               | 19020310   | 22SI  |
| 110-444P      | 19020889   | 22SI  |
| 110444PHO     | 19020889   | 22SI  |
| 110-450       | 8600310    | 24SI  |
| 110-459       | 8600468    | 28SI  |
| 110550JHO     | 19020310   | 22SI  |
| 110555JHO     | 19020310   | 22SI  |
| 110-555JHO    | 19020310   | 22SI  |
| 110555JHO     | 19020310   | 22SI  |
| 110-555JHO    | 19020310   | 22SI  |
| 110555N       | 19020310   | 22SI  |
| 110-555N      | 19020310   | 22SI  |
| 110-555P      | 19020889   | 22SI  |
| 110-555PHO    | 19020889   | 22SI  |
| 110-555PHO    | 19020889   | 22SI  |

| LEECE NEVILLE |            |       |
|---------------|------------|-------|
| Part No.      | Delco Remy |       |
|               | Part No.   | Model |
| 110-555RM     | 19020310   | 22SI  |
| 110-559       | 8600310    | 24SI  |
| 110-565       | 8600889    | 24SI  |
| 110-566       | 8600310    | 24SI  |
| 110-566P      | 8600889    | 24SI  |
| 110-573       | 8600310    | 24SI  |
| 110-579       | 8600310    | 24SI  |
| 110-580       | 8600310    | 24SI  |
| 110-583       | 8600310    | 24SI  |
| 110-584       | 8600310    | 24SI  |
| 110-775       | 8600308    | 28SI  |
|               | 8600311    | 28SI  |
| 110-775P      | 8600316    | 28SI  |
| 110-775V      | 8600316    | 28SI  |
| 110-777       | 8600889    | 24SI  |
| 110-800       | 8600126    | 36SI  |
| 110-801       | 8600126    | 36SI  |
| 110-802       | 8600126    | 36SI  |
| 110-803       | 8600126    | 36SI  |
| 110-804       | 8600126    | 36SI  |
| 110-810       | 8600127    | 36SI  |
| 110-811       | 8600127    | 36SI  |
| 110-812       | 8600127    | 36SI  |
| 110-813       | 8600127    | 36SI  |
| 110-814       | 8600127    | 36SI  |
| 110-815       | 8600127    | 36SI  |
| 110-916       | 8600889    | 24SI  |
| 1110-555JHO   | 19020310   | 22SI  |
| 111-555PHO    | 19020889   | 22SI  |
| 14923PAH      | 8600314    | 28SI  |
| 14931PAH      | 8600628    | 40SI  |
| 2303H         | 8600066    | 35SI  |
| 2331GH        | 8600307    | 28SI  |
| 2333GH        | 8600307    | 28SI  |
| 2360JB        | 10459077   | 26SI  |
| 2360JC        | 10459077   | 26SI  |
| 2500JB        | 8600308    | 28SI  |
| 2500LC        | 8600308    | 28SI  |
| 2513LC        | 8600308    | 28SI  |
| 2670LC        | 8600308    | 28SI  |
| 2671LC        | 8600308    | 28SI  |
| 2706LC        | 8600308    | 28SI  |
| 2713LC        | 8600308    | 28SI  |
| 2800jb        | 8600308    | 28SI  |
| 2800LC        | 8600308    | 28SI  |



# Competitor Cross Reference

| LEECE NEVILLE     |            |       | LEECE NEVILLE   |            |       | LEECE NEVILLE         |            |       |
|-------------------|------------|-------|-----------------|------------|-------|-----------------------|------------|-------|
| Part No.          | Delco Remy |       | Part No.        | Delco Remy |       | Part No.              | Delco Remy |       |
|                   | Part No.   | Model |                 | Part No.   | Model |                       | Part No.   | Model |
| <b>2800LCR</b>    | 8600308    | 28SI  | <b>4833LC</b>   | 8600307    | 28SI  | <b>4923PAH</b>        | 8600314    | 28SI  |
| <b>2800LCRM</b>   | 8600308    | 28SI  | <b>4833LGH</b>  | 8600307    | 28SI  | <b>4939AAH</b>        | 8600314    | 28SI  |
| <b>2801LC</b>     | 8600308    | 28SI  |                 | 8600311    | 28SI  | <b>4939PGH</b>        | 8600314    | 28SI  |
|                   | 8600311    | 28SI  | <b>4836AAH</b>  | 8600307    | 28SI  | <b>4940PA</b>         | 8600338    | 40SI  |
| <b>2802LC</b>     | 8600308    | 28SI  | <b>4836LGH</b>  | 8600307    | 28SI  |                       | 8600314    | 28SI  |
|                   | 8600311    | 28SI  | <b>4836LGHM</b> | 8600307    | 28SI  | <b>4942PA</b>         | 8600094    | 40SI  |
| <b>2805JB</b>     | 8600310    | 24SI  | <b>4846AAH</b>  | 8600307    | 28SI  | <b>4943PGH</b>        | 8600314    | 28SI  |
| <b>2808LC</b>     | 8600308    | 28SI  | <b>4850AA</b>   | 8600390    | 40SI  | <b>4944PA</b>         | 8600094    | 40SI  |
| <b>2813LC</b>     | 8600308    | 28SI  |                 | 8600307    | 28SI  | <b>4945AAH</b>        | 8600314    | 28SI  |
| <b>2819LC</b>     | 8600308    | 28SI  | <b>4852AA</b>   | 8600390    | 40SI  | <b>4947PA</b>         | 8600094    | 40SI  |
| <b>2824LC</b>     | 8600308    | 28SI  | <b>4854AA</b>   | 8600390    | 40SI  | <b>4948PA</b>         | 8600338    | 40SI  |
|                   | 8600311    | 28SI  | <b>4856AA</b>   | 8600280    | 40SI  |                       | 8600314    | 28SI  |
| <b>2825LC</b>     | 8600308    | 28SI  | <b>4860AA</b>   | 8600390    | 40SI  | <b>4949GH</b>         | 8600094    | 40SI  |
|                   | 8600311    | 28SI  |                 | 8600307    | 28SI  | <b>4949PA</b>         | 8600094    | 40SI  |
| <b>2828LC</b>     | 8600308    | 28SI  | <b>4860JB</b>   | 8600307    | 28SI  | <b>4949PAH</b>        | 8600094    | 40SI  |
|                   | 8600311    | 28SI  | <b>4860JBRM</b> | 8600307    | 28SI  | <b>4949PGH</b>        | 8600094    | 40SI  |
| <b>2913LC</b>     | 8600308    | 28SI  | <b>4861JB</b>   | 8600390    | 40SI  | <b>4951PA</b>         | 8600314    | 28SI  |
| <b>2913LCRM</b>   | 8600308    | 28SI  |                 | 8600307    | 28SI  | <b>4951PAH</b>        | 8600314    | 28SI  |
| <b>33-9141RM</b>  | 8600064    | 35SI  | <b>4863JB</b>   | 8600390    | 40SI  | <b>4951PGH</b>        | 8600338    | 40SI  |
| <b>33-9142RM</b>  | 8600094    | 40SI  |                 | 8600307    | 28SI  |                       | 8600314    | 28SI  |
| <b>3579009C91</b> | 8600280    | 40SI  | <b>4863JBRM</b> | 8600390    | 40SI  | <b>4958PA</b>         | 8600338    | 40SI  |
| <b>3579009C92</b> | 8600280    | 40SI  |                 | 8600307    | 28SI  | <b>4959PA</b>         | 8600338    | 40SI  |
| <b>3579009C93</b> | 8600280    | 40SI  | <b>4864JB</b>   | 8600280    | 40SI  | <b>4962PA</b>         | 8600628    | 40SI  |
| <b>3587959C91</b> | 8600311    | 28SI  | <b>4867JB</b>   | 8600280    | 40SI  | <b>4962PAH</b>        | 8600628    | 40SI  |
| <b>3587959C92</b> | 8600311    | 28SI  | <b>4867JGH</b>  | 8600280    | 40SI  | <b>4966PAA</b>        | 8600298    | 40SI  |
| <b>3591557C91</b> | 8600315    | 28SI  | <b>4868JGH</b>  | 8600390    | 40SI  | <b>4967PGH</b>        | 8600094    | 40SI  |
|                   | 8600315    | 28SI  |                 | 8600307    | 28SI  | <b>4975PAA</b>        | 8600094    | 40SI  |
| <b>3701568C91</b> | 8600889    | 24SI  | <b>4869JB</b>   | 8600390    | 40SI  | <b>4977AAH</b>        | 8600338    | 40SI  |
| <b>3701568C92</b> | 8600889    | 24SI  | <b>4870AA</b>   | 8600280    | 40SI  | <b>4993PA</b>         | 8600094    | 40SI  |
| <b>3711092C93</b> | 8600314    | 28SI  | <b>4870JB</b>   | 8600280    | 40SI  | <b>4N1064</b>         | 8200308    | 39MT  |
| <b>3711093C91</b> | 8600628    | 40SI  | <b>4870JBRM</b> | 8600280    | 40SI  | <b>5034-110555PHO</b> | 19020889   | 22SI  |
| <b>3711093C92</b> | 8600628    | 40SI  | <b>4871JB</b>   | 8600280    | 40SI  | <b>5034-AV1555J</b>   | 8600308    | 28SI  |
| <b>3804481C91</b> | 8200972    | 29MT  | <b>4872AA</b>   | 8600280    | 40SI  |                       | 8600311    | 28SI  |
| <b>3804481C92</b> | 8200972    | 29MT  | <b>4872JB</b>   | 8600280    | 40SI  | <b>5034-AV1555P</b>   | 8600315    | 28SI  |
| <b>3813037C91</b> | 8600127    | 36SI  | <b>4873JB</b>   | 8600390    | 40SI  |                       | 8600316    | 28SI  |
|                   | 8600338    | 40SI  | <b>4874JB</b>   | 8600280    | 40SI  | <b>514089C91</b>      | 19020310   | 22SI  |
| <b>3863006C91</b> | 8600338    | 40SI  | <b>4884JB</b>   | 8600390    | 40SI  | <b>7325ME</b>         | 10461053   | 42MT  |
| <b>3863006C92</b> | 8600338    | 40SI  |                 | 8600307    | 28SI  | <b>80201-0019</b>     | 10459077   | 26SI  |
| <b>3863007C91</b> | 8600316    | 28SI  | <b>4884JBRM</b> | 8600390    | 40SI  | <b>8LHA/P</b>         | 19020889   | 22SI  |
| <b>3863007C92</b> | 8600316    | 28SI  |                 | 8600307    | 28SI  | <b>8LHA2054UAH</b>    | 8600308    | 28SI  |
| <b>4725AA</b>     | 8600308    | 28SI  | <b>4885JB</b>   | 8600390    | 40SI  | <b>8LHA2057VGH</b>    | 8600308    | 28SI  |
| <b>4800-4900</b>  | 8600338    | 40SI  | <b>4887JB</b>   | 8600390    | 40SI  | <b>8LHA2070VE</b>     | 19020310   | 22SI  |
|                   | 8600339    | 40SI  | <b>4890AA</b>   | 8600300    | 40SI  | <b>8LHA2070VF</b>     | 8600310    | 24SI  |
|                   | 8600390    | 40SI  | <b>4890JB</b>   | 8600300    | 40SI  | <b>8LHA2070VGH</b>    | 8600308    | 28SI  |
| <b>4832LCH</b>    | 8600311    | 28SI  | <b>4892AA</b>   | 8600300    | 40SI  | <b>8LHA2275V</b>      | 8600311    | 28SI  |



# Competitor Cross Reference

| LEECE NEVILLE |            |       |
|---------------|------------|-------|
| Part No.      | Delco Remy |       |
|               | Part No.   | Model |
| 8LHP2170VE    | 19020889   | 22SI  |
| 8LHP2170VF    | 8600889    | 24SI  |
| 8LHP2170VH    | 19020889   | 22SI  |
| 8LHP2172VAH   | 19020888   | 22SI  |
| 8LHP2246VAH   | 8600315    | 28SI  |
| 8LHP2276V     | 8600316    | 28SI  |
| 8MJ4291       | 10479328   | 50MT  |
| A002805JB     | 8600310    | 24SI  |
| A001090772    | 8600308    | 28SI  |
| A00114852AA   | 8600390    | 40SI  |
| A00114854AA   | 8600390    | 40SI  |
| A0012500JB    | 8600308    | 28SI  |
| A0012513LC    | 8600308    | 28SI  |
| A0012670LC    | 8600310    | 24SI  |
| A0012671LC    | 8600308    | 28SI  |
| A0012706LC    | 8600308    | 28SI  |
| A0012713LC    | 8600308    | 28SI  |
| A0012800JB    | 8600308    | 28SI  |
| A0012800LC    | 8600308    | 28SI  |
| A0012802LC    | 8600308    | 28SI  |
|               | 8600311    | 28SI  |
| A0012805JB    | 8600310    | 24SI  |
| A0012805LC    | 8600310    | 24SI  |
| A0012808LC    | 8600308    | 28SI  |
| A0012819LC    | 8600308    | 28SI  |
| A0012824LC    | 8600308    | 28SI  |
|               | 8600311    | 28SI  |
| A0012825LC    | 8600308    | 28SI  |
|               | 8600311    | 28SI  |
| A0012828LC    | 8600308    | 28SI  |
|               | 8600311    | 28SI  |
| A0012913LC    | 8600308    | 28SI  |
| A0014725AA    | 8600308    | 28SI  |
| A0014805JB    | 8600308    | 28SI  |
| A0014833LGH   | 8600307    | 28SI  |
|               | 8600311    | 28SI  |
| A0014836AAH   | 8600307    | 28SI  |
| A0014836LGH   | 8600307    | 28SI  |
| A0014842LCH   | 8600307    | 28SI  |
| A0014846AAH   | 8600307    | 28SI  |
| A0014850AA    | 8600390    | 40SI  |
|               | 8600307    | 28SI  |
| A0014852AA    | 8600390    | 40SI  |
| A0014854AA    | 8600390    | 40SI  |
| A0014856AA    | 8600280    | 40SI  |

| LEECE NEVILLE |            |       |
|---------------|------------|-------|
| Part No.      | Delco Remy |       |
|               | Part No.   | Model |
| A0014860AA    | 8600390    | 40SI  |
|               | 8600307    | 28SI  |
| A0014860JB    | 8600307    | 28SI  |
| A0014860JBH   | 8600390    | 40SI  |
|               | 8600307    | 28SI  |
| A0014861JB    | 8600390    | 40SI  |
|               | 8600307    | 28SI  |
| A0014863JB    | 8600390    | 40SI  |
|               | 8600307    | 28SI  |
| A0014863JBH   | 8600307    | 28SI  |
| A0014864JB    | 8600280    | 40SI  |
| A0014867JB    | 8600280    | 40SI  |
| A0014867JBH   | 8600280    | 40SI  |
| A0014867JGH   | 8600280    | 40SI  |
| A0014868JGH   | 8600390    | 40SI  |
|               | 8600307    | 28SI  |
| A0014869JB    | 8600390    | 40SI  |
| A0014870AA    | 8600280    | 40SI  |
| A0014870JB    | 8600280    | 40SI  |
| A0014871JB    | 8600280    | 40SI  |
| A0014872AA    | 8600280    | 40SI  |
| A0014872JB    | 8600280    | 40SI  |
| A0014873JB    | 8600390    | 40SI  |
| A0014884JB    | 8600390    | 40SI  |
|               | 8600307    | 28SI  |
| A0014885JB    | 8600390    | 40SI  |
| A0014887JB    | 8600390    | 40SI  |
| A0014890AA    | 8600300    | 40SI  |
| A0014890JB    | 8600300    | 40SI  |
| A0014892AA    | 8600300    | 40SI  |
| A0014923PAH   | 8600314    | 28SI  |
| A0014931PAH   | 8600628    | 40SI  |
| A0014939AAH   | 8600314    | 28SI  |
| A0014939PGH   | 8600314    | 28SI  |
| A0014940PA    | 8600338    | 40SI  |
|               | 8600314    | 28SI  |
| A0014942PA    | 8600094    | 40SI  |
| A0014943PGH   | 8600314    | 28SI  |
| A0014944PA    | 8600094    | 40SI  |
| A0014945AAH   | 8600314    | 28SI  |
| A0014947PA    | 8600094    | 40SI  |
| A0014948PA    | 8600338    | 40SI  |
|               | 8600314    | 28SI  |
| A0014949GH    | 8600094    | 40SI  |
| A0014949PA    | 8600094    | 40SI  |

| LEECE NEVILLE         |            |       |
|-----------------------|------------|-------|
| Part No.              | Delco Remy |       |
|                       | Part No.   | Model |
| A0014949PAH           | 8600094    | 40SI  |
| A0014949PGH           | 8600094    | 40SI  |
| A0014951PA            | 8600314    | 28SI  |
| A0014951PAH           | 8600314    | 28SI  |
| A0014951PGH           | 8600314    | 28SI  |
| A0014953PAH           | 8600314    | 28SI  |
| A00149551PGH          | 8600338    | 40SI  |
| A0014958PA            | 8600338    | 40SI  |
| A0014959PA            | 8600338    | 40SI  |
| A0014962PA            | 8600628    | 40SI  |
| A0014962PAH           | 8600628    | 40SI  |
| A0014962PGH           | 8600628    | 40SI  |
| A0014966PAA           | 8600298    | 40SI  |
| A0014967PGH           | 8600094    | 40SI  |
| A0014975PAA           | 8600094    | 40SI  |
| A0014977AAH           | 8600338    | 40SI  |
| A0014979PAH           | 8600314    | 28SI  |
| A0014982AAH           | 8600314    | 28SI  |
| A0014993PA            | 8600094    | 40SI  |
| A002801LC             | 8600308    | 28SI  |
|                       | 8600311    | 28SI  |
| A160203               | 8600314    | 28SI  |
| A160204               | 8600307    | 28SI  |
| A160207               | 8600314    | 28SI  |
| A160208               | 8600307    | 28SI  |
| ABP N15<br>AVI143J170 | 8600308    | 28SI  |
|                       | 8600311    | 28SI  |
| AV1555J               | 8600308    | 28SI  |
|                       | 8600311    | 28SI  |
| AV1555P               | 8600315    | 28SI  |
|                       | 8600316    | 28SI  |
| AVI143J2001           | 8600308    | 28SI  |
|                       | 8600311    | 28SI  |
| AVI143P2003           | 8600315    | 28SI  |
|                       | 8600316    | 28SI  |
| AVI160J2004           | 8600307    | 28SI  |
| AVI160J2008           | 8600307    | 28SI  |
| AVI160P2003           | 8600314    | 28SI  |
| AVI160P2007           | 8600314    | 28SI  |
| AVI160P2009           | 8600314    | 28SI  |
| AVI555J               | 8600308    | 28SI  |
|                       | 8600311    | 28SI  |
| AVI555P               | 8600315    | 28SI  |
|                       | 8600316    | 28SI  |
| BLD2301               | 8600126    | 36SI  |

# Competitor Cross Reference

| LEECE NEVILLE    |            |       | LEECE NEVILLE        |            |       | LEECE NEVILLE        |                        |       |
|------------------|------------|-------|----------------------|------------|-------|----------------------|------------------------|-------|
| Part No.         | Delco Remy |       | Part No.             | Delco Remy |       | Part No.             | Delco Remy             |       |
|                  | Part No.   | Model |                      | Part No.   | Model |                      | Part No.               | Model |
| <b>BLD2301GH</b> | 8600308    | 28SI  | <b>LBP2176GH</b>     | 8600889    | 24SI  | <b>LN4940PARM</b>    | 8600338                | 40SI  |
| <b>BLD2301H</b>  | 8600064    | 35SI  | <b>LBP2180GH</b>     | 8600889    | 24SI  |                      | 8600314                | 28SI  |
| <b>BLD2301RM</b> | 8600126    | 36SI  | <b>LBP2187GH</b>     | 19020889   | 22SI  | <b>LN4951PARM</b>    | 8700047                | 36SI  |
| <b>BLD2302</b>   | 8600126    | 36SI  | <b>LBP2188H</b>      | 19020889   | 22SI  | <b>LN4959PA</b>      | 8600338                | 40SI  |
| <b>BLD2305</b>   | 8600126    | 36SI  | <b>LBP2190H</b>      | 19020889   | 22SI  | <b>LN7268MERM</b>    | 10461052               | 42MT  |
| <b>BLD2305GH</b> | 8600126    | 36SI  | <b>LBP2203H</b>      | 8600889    | 24SI  | <b>LNAVI555P</b>     | 8600315                | 28SI  |
| <b>BLD2305RM</b> | 8600126    | 36SI  | <b>LBP2224H</b>      | 8600889    | 24SI  |                      | 8600316                | 28SI  |
| <b>BLD2306</b>   | 8600127    | 36SI  | <b>LMN105602</b>     | 8200433    | 39MT  | <b>LNBLD2308RM</b>   | 8700046                | 36SI  |
| <b>BLD2307</b>   | 8600126    | 36SI  | <b>LMN125601</b>     | 8200308    | 39MT  | <b>LNDAVI555J</b>    | 8600308                | 28SI  |
| <b>BLD2307GH</b> | 8600126    | 36SI  | <b>LN 2706LC</b>     | 8600308    | 28SI  |                      | 8600311                | 28SI  |
| <b>BLD2307RM</b> | 8600126    | 36SI  | <b>LN 2713LC</b>     | 8600308    | 28SI  | <b>LNDAVI555P</b>    | 8600315                | 28SI  |
| <b>BLD2308</b>   | 8600126    | 36SI  | <b>LN 2808LC</b>     | 8600308    | 28SI  |                      | 8600316                | 28SI  |
| <b>BLD2308RM</b> | 8600126    | 36SI  | <b>LN 2819LC</b>     | 8600308    | 28SI  | <b>LNLBP2189RM</b>   | 8700047                | 36SI  |
| <b>BLD2309</b>   | 8600127    | 36SI  | <b>LN 4833LGH</b>    | 8600307    | 28SI  | <b>LNM105302</b>     | 8200433                | 39MT  |
| <b>BLD2310</b>   | 8600127    | 36SI  | <b>LN 4860JB</b>     | 8600307    | 28SI  | <b>LNM105322</b>     | 19026028               | 38MT  |
| <b>BLD2311</b>   | 8600127    | 36SI  | <b>LN 110 555JHO</b> | 19020310   | 22SI  | <b>LNM105601</b>     | 10479307               | 41MT  |
| <b>BLD2312</b>   | 8600127    | 36SI  | <b>LN 110-555JHO</b> | 19020310   | 22SI  | <b>LNM105613</b>     | 8200433                | 39MT  |
| <b>BLD2331GH</b> | 8600307    | 28SI  | <b>LN 110-555PHO</b> | 19020889   | 22SI  | <b>LNM105R2503SE</b> | 19011407 <sup>18</sup> | 29MT  |
| <b>BLD2333GH</b> | 8600311    | 28SI  | <b>LN 2800J</b>      | 8600308    | 28SI  |                      | 8200972 <sup>19</sup>  | 29MT  |
| <b>BLP2204GH</b> | 8600314    | 28SI  | <b>LN 4725AA</b>     | 8600308    | 28SI  | <b>LNM125601</b>     | 8200308                | 39MT  |
| <b>BLP2301GH</b> | 8600127    | 36SI  | <b>LN 4993PA</b>     | 8600094    | 40SI  | <b>M0017325ME</b>    | 10461053               | 42MT  |
| <b>BLP2303</b>   | 8600066    | 35SI  | <b>LN AVI555J</b>    | 8600308    | 28SI  | <b>M101R</b>         | 8200972                | 29MT  |
| <b>BLP2303GH</b> | 8600066    | 35SI  |                      | 8600311    | 28SI  | <b>M105311</b>       | 8200076                | 38MT  |
| <b>BLP2303H</b>  | 8600066    | 35SI  | <b>LN AVI555P</b>    | 8600315    | 28SI  | <b>M105602</b>       | 8200433                | 39MT  |
| <b>BLP2304</b>   | 8600127    | 36SI  |                      | 8600316    | 28SI  | <b>M105603</b>       | 8200972                | 29MT  |
| <b>BLP2306</b>   | 8600127    | 36SI  | <b>LN105602</b>      | 8200433    | 39MT  | <b>M105610</b>       | 19011400               | 29MT  |
| <b>BLP2306GH</b> | 8600127    | 36SI  | <b>LN110450RM</b>    | 19020310   | 22SI  | <b>M105611</b>       | 8200076 <sup>18</sup>  | 38MT  |
| <b>BLP2309</b>   | 8600127    | 36SI  | <b>LN110-555HD</b>   | 19020310   | 22SI  |                      | 8200076                | 38MT  |
| <b>BLP2309GH</b> | 8600127    | 36SI  | <b>LN110555JHO</b>   | 19020310   | 22SI  | <b>M105612</b>       | 8200055                | 41MT  |
| <b>BLP2309H</b>  | 8600127    | 36SI  | <b>LN110555ORRM</b>  | 19020310   | 22SI  |                      | 8201002                | 38MT  |
| <b>BLP2310</b>   | 8600127    | 36SI  | <b>LN110555PRM</b>   | 19020889   | 22SI  | <b>M105613</b>       | 8200433                | 39MT  |
| <b>BLP2311</b>   | 8600127    | 36SI  | <b>LN110555RM</b>    | 19020310   | 22SI  | <b>M105615</b>       | 8200288                | 39MT  |
| <b>BLP2312</b>   | 8600127    | 36SI  | <b>LN2500JB</b>      | 8600308    | 28SI  |                      | 8200308                | 39MT  |
| <b>BLP2332GH</b> | 8600338    | 40SI  | <b>LN2670LC</b>      | 8600308    | 28SI  | <b>M105702</b>       | 8200330                | 39MT  |
| <b>BLP2333GH</b> | 8600316    | 28SI  | <b>LN2670LCRM</b>    | 8600308    | 28SI  | <b>M105703</b>       | 8200435                | 39MT  |
| <b>BLP2334GH</b> | 8600338    | 40SI  | <b>LN2800LCRM</b>    | 8600308    | 28SI  | <b>M105704</b>       | 8200178                | 41MT  |
| <b>BLP2356H</b>  | 8600316    | 28SI  | <b>LN2805JB</b>      | 8600310    | 24SI  | <b>M105705</b>       | 8200435                | 39MT  |
| <b>BLP2357GH</b> | 8600707    | 38SI  | <b>LN2813LCRM</b>    | 19020310   | 22SI  | <b>M105710</b>       | 8200078                | 38MT  |
| <b>BLP2361H</b>  | 8600316    | 28SI  | <b>LN2913LCRM</b>    | 8600308    | 28SI  | <b>M105R2002SE</b>   | 19026028               | 38MT  |
| <b>BLP2362GH</b> | 8600707    | 38SI  | <b>LN339142RM</b>    | 8600094    | 40SI  | <b>M105R2011SE</b>   | 8200076                | 38MT  |
| <b>BLP2363H</b>  | 8600338    | 40SI  | <b>LN4863JBRM</b>    | 8600390    | 40SI  | <b>M105R2022SE</b>   | 19026028               | 38MT  |
| <b>GL-8663</b>   | 8600298    | 40SI  |                      | 8600307    | 28SI  | <b>M105R2502SE</b>   | 8200433                | 39MT  |
| <b>LBA2106</b>   | 8600308    | 28SI  | <b>LN4884JBRM</b>    | 8600390    | 40SI  | <b>M105R2503SE</b>   | 19011407               | 29MT  |
| <b>LBA2108</b>   | 8600308    | 28SI  |                      | 8600307    | 28SI  | <b>M105R2511SE</b>   | 8200076                | 38MT  |
| <b>LBA2108GH</b> | 8600308    | 28SI  | <b>LN4887JB</b>      | 8600390    | 40SI  | <b>M105R2512SE</b>   | 8200055                | 41MT  |

# Competitor Cross Reference

| LEECE NEVILLE |            |       |
|---------------|------------|-------|
| Part No.      | Delco Remy |       |
|               | Part No.   | Model |
| M105R2513SE   | 8200433    | 39MT  |
| M105R2515SE   | 8200308    | 39MT  |
| M110601       | 8200434    | 39MT  |
| M110602       | 8200433    | 39MT  |
| M110-603      | 8200308    | 39MT  |
| M110604       | 8200434    | 39MT  |
| M110605       | 8200433    | 39MT  |
| M110615       | 8200308    | 39MT  |
| M110R2601SE   | 8200434    | 39MT  |
| M110R2602SE   | 8200433    | 39MT  |
| M110R2603SE   | 8200308    | 39MT  |
| M110R2604SE   | 8200434    | 39MT  |
| M110R2605SE   | 8200433    | 39MT  |
| M110R2615SE   | 8200308    | 39MT  |
| M125600       | 8200287    | 39MT  |
|               | 8200434    | 39MT  |
| M125601       | 8200308    | 39MT  |
| M125-601      | 8200308    | 39MT  |
| M125632       | 8200289    | 39MT  |
|               | 8200290    | 39MT  |
|               | 8200308    | 39MT  |
| M125634       | 8200417    | 39MT  |
| M125R2001SEP  | 8200308    | 39MT  |
| M125R2001SEPN | 8200308    | 39MT  |
| M125R2632SE   | 8200308    | 39MT  |
| M130D2001H    | 8200433    | 39MT  |
| MDP2934       | 8600889    | 24SI  |
| MS2/M130      | 8200308    | 39MT  |
| MS2-448       | 1990352    | 42MT  |
| MS2-450       | 1990355    | 42MT  |
| MS2-452       | 8200308    | 39MT  |
| MS2-456       | 8200308    | 39MT  |
| MS2-500       | 8200308    | 39MT  |
| MS2-500ND     | 8200308    | 39MT  |
| MS2-501       | 8200308    | 39MT  |
| MS2-501ND     | 8200308    | 39MT  |
| MS2-502       | 8200308    | 39MT  |
| MS2-502D      | 8200308    | 39MT  |
| MS2-503       | 8200308    | 39MT  |
| MS2504        | 8200308    | 39MT  |
| MS2-504       | 8200308    | 39MT  |
| MS2-504D      | 8200308    | 39MT  |
| MS2-507       | 8200308    | 39MT  |
| MS2-510       | 8200308    | 39MT  |
| MS2-511       | 1990352    | 42MT  |

| LEECE NEVILLE  |                        |       |
|----------------|------------------------|-------|
| Part No.       | Delco Remy             |       |
|                | Part No.               | Model |
| MS2-514        | 8200289                | 39MT  |
|                | 8200290                | 39MT  |
| MS2-514S       | 8200308                | 39MT  |
| MS2520         | 8200076                | 38MT  |
|                | 10479207               | 41MT  |
| MS2-520        | 10479207               | 41MT  |
|                | 8200076                | 38MT  |
| MS2-531        | 10461233               | 42MT  |
| MS2-570        | 8200005                | 38MT  |
| MS2-570D       | 8200005                | 38MT  |
| MS2-571        | 10478812               | 41MT  |
| RJ4870         | 8600280                | 40SI  |
| SA-1025        | 19011407 <sup>19</sup> | 29MT  |
|                | 8200972 <sup>19</sup>  | 29MT  |
| ZLN110444      | 19020310               | 22SI  |
| ZLN110444P     | 19020889               | 22SI  |
| ZLN110555JHO   | 19020310               | 22SI  |
| ZLN110555N     | 19020310               | 22SI  |
| ZLN110555PHO   | 19020889               | 22SI  |
| ZLN2670LC      | 19020310               | 22SI  |
| ZLN2676LC      | 19020310               | 22SI  |
| ZLN2713LC      | 19020310               | 22SI  |
| ZLN2802LC      | 8600308                | 28SI  |
| ZLN2913JC      | 8600308                | 28SI  |
| ZLN339142RM    | 8600094                | 40SI  |
| ZLN4830LC      | 8600311                | 28SI  |
| ZLN4832LCH     | 8600311                | 28SI  |
| ZLN4833LGH     | 8600307                | 28SI  |
| ZLN4834LC      | 8600311                | 28SI  |
| ZLN4836LGH     | 8600307                | 28SI  |
| ZLN4868JGH     | 8600307                | 28SI  |
| ZLN4923PAH     | 8600314                | 28SI  |
| ZLN4939PGH     | 8600314                | 28SI  |
| ZLN4947PA      | 8600094                | 40SI  |
| ZLN4948PA      | 8600314                | 28SI  |
| ZLN4949PAH     | 8600094                | 40SI  |
| ZLN4949PGH     | 8600094                | 40SI  |
| ZLN4951PAH     | 8600314                | 28SI  |
| ZLN4959PA      | 8600338                | 40SI  |
| ZLN4967PGH     | 8600094                | 40SI  |
| ZLN4993PA      | 8600094                | 40SI  |
| ZLNA0014951PAH | 8600314                | 28SI  |
| ZLNAVI160P2003 | 8600314                | 28SI  |
| ZLNAVI555P     | 8600315                | 28SI  |
|                | 8600316                | 28SI  |

| LEECE NEVILLE  |                        |       |
|----------------|------------------------|-------|
| Part No.       | Delco Remy             |       |
|                | Part No.               | Model |
| ZLNBLP2309H    | 8600127                | 36SI  |
| ZLNLP2190H     | 19020889               | 22SI  |
| ZLNM105602     | 8200433                | 39MT  |
| ZLNM105603     | 19011407 <sup>18</sup> | 29MT  |
|                | 8200972 <sup>19</sup>  | 29MT  |
| ZLNM105R2503SE | 19011407 <sup>18</sup> | 29MT  |
|                | 8200972 <sup>19</sup>  | 29MT  |
| ZLNM125601     | 8200308                | 39MT  |
| ZLNVAI160J2008 | 8600307                | 28SI  |
| LESTER         |                        |       |
| Part No.       | Delco Remy             |       |
|                | Part No.               | Model |
| 3288           | 1990210                | 40MT  |
| 3979           | 10461059               | 40MT  |
| 4987           | 10461107               | 40MT  |
| 6224           | 1990405                | 42MT  |
|                | 1993795                | 42MT  |
| 6246           | 10461328               | 42MT  |
| 6253           | 10461414               | 42MT  |
| 6263           | 8200308                | 39MT  |
| 6292           | 10461016               | 37MT  |
| 6297           | 10461107               | 40MT  |
| 6348           | 10461044               | 37MT  |
| 6352           | 8200308                | 39MT  |
| 6354           | 1993902                | 37MT  |
| 6356           | 1990352                | 42MT  |
| 6360           | 1990453                | 42MT  |
| 6361           | 1990366                | 42MT  |
| 6371           | 1990379                | 42MT  |
| 6372           | 10461051               | 42MT  |
| 6380           | 10461089               | 37MT  |
| 6382           | 10461225               | 37MT  |
| 6391           | 10461108               | 37MT  |
| 6393           | 1993874                | 37MT  |
| 6398           | 10461058               | 37MT  |
| 6444           | 10461013               | 37MT  |
| 6459           | 10461257               | 37MT  |
|                | 10461525               | 37MT  |
| 6464           | 10478953               | 37MT  |
| 6467           | 10461015               | 37MT  |
| 6469           | 10465168               | 28MT  |
| 6504           | 10461110               | 37MT  |
| 6505           | 10461098               | 37MT  |
| 6513           | 10461055               | 42MT  |
|                | 1990355                | 42MT  |

# Competitor Cross Reference

| LESTER   |            |       |
|----------|------------|-------|
| Part No. | Delco Remy |       |
|          | Part No.   | Model |
| 6516     | 10461077   | 42MT  |
| 6552     | 10461141   | 42MT  |
| 6571     | 10461445   | 28MT  |
|          | 1113273    | 28MT  |
| 6574     | 1113277    | 28MT  |
| 6576     | 10461450   | 28MT  |
|          | 1113281    | 28MT  |
| 6584     | 1113275    | 28MT  |
| 6585     | 10465151   | 28MT  |
| 6589     | 10479617   | 28MT  |
| 6594     | 10479605   | 28MT  |
| 6602     | 10465239   | 28MT  |
| 6630     | 10461240   | 41MT  |
|          | 10478818   | 41MT  |
| 6634     | 10461239   | 41MT  |
| 6660     | 10461209   | 37MT  |
| 6661     | 10461298   | 37MT  |
|          | 10479036   | 37MT  |
| 6667     | 10461282   | 41MT  |
|          | 10479226   | 41MT  |
| 6668     | 10461431   | 41MT  |
|          | 10479215   | 41MT  |
| 6752     | 10461298   | 37MT  |
| 6777     | 10461233   | 42MT  |
| 6780     | 1990402    | 42MT  |
|          | 1990413    | 42MT  |
|          | 1993796    | 42MT  |
| 6807     | 10461768   | 38MT  |
| 6841     | 19011402   | 29MT  |
| 6907     | 8200433    | 39MT  |
| 6924     | 8200308    | 39MT  |
| 7254     | 10459064   | 26SI  |
| 7297     | 10459319   | 20SI  |
| 7642     | 10459461   | 21SI  |
|          | 19010108   | 21SI  |
| 7971     | 10459049   | 21SI  |
| 7975     | 10459057   | 30SI  |
| 8064     | 10459161   | 26SI  |
| 8071     | 10459188   | 22SI  |
| 8072     | 19020302   | 22SI  |
| 8073     | 19020309   | 22SI  |
| 8076     | 19020310   | 22SI  |
| 8078     | 10459190   | 22SI  |
| 8085     | 10459196   | 33SI  |
| 8362     | 19020889   | 22SI  |

| LESTER    |            |       |
|-----------|------------|-------|
| Part No.  | Delco Remy |       |
|           | Part No.   | Model |
| 8363      | 10459481   | 22SI  |
| 8607      | 8600064    | 35SI  |
| 8609      | 8600066    | 35SI  |
| 8693      | 8600889    | 24SI  |
| 8718      | 8600310    | 24SI  |
| 8719      | 8600889    | 24SI  |
| 140-905   | 1113274    | 28MT  |
| 140-906   | 1113288    | 28MT  |
| 140-908   | 1113290    | 28MT  |
| 140-917   | 1113277    | 28MT  |
| 140-919   | 1113277    | 28MT  |
| 140-920A  | 10461474   | 28MT  |
| 140-921   | 1113273    | 28MT  |
| 140-924   | 1113281    | 28MT  |
| 140-925   | 1113274    | 28MT  |
| 140-926   | 1113275    | 28MT  |
| 140-934   | 10465151   | 28MT  |
| 140-935   | 10465150   | 28MT  |
| 141-306   | 1993963    | 37MT  |
| 141-306A  | 1993963    | 37MT  |
| 141-325   | 1993947    | 37MT  |
| 141-327   | 10461170   | 37MT  |
| 141-353   | 1993903    | 37MT  |
| 141-372   | 10461240   | 41MT  |
| 141-395   | 10478953   | 37MT  |
| 141-460   | 10461765   | 29MT  |
| 141-470   | 8200076    | 38MT  |
| 141-472   | 8200005    | 38MT  |
| 141-476   | 8200000    | 38MT  |
| 141-703B  | 8300019    | 39MT  |
| 141-720   | 8300009    | 39MT  |
| 142-188   | 10479342   | 50MT  |
| 142-211H  | 1990355    | 42MT  |
| 142-212H  | 1990355    | 42MT  |
| 142-368   | 1990490    | 42MT  |
| 240-4005A | 10459204   | 22SI  |
| 240-4005B | 10459204   | 22SI  |
| 240-4012A | 10459188   | 22SI  |
| 240-4015A | 10459189   | 22SI  |
| 240-4017  | 10459189   | 22SI  |
| 240-4017A | 10459189   | 22SI  |
| 240-4020  | 10459320   | 22SI  |
| 240-4022  | 10459320   | 22SI  |
| 240-4047  | 10459483   | 22SI  |
| 240-4054  | 10459199   | 34SI  |

| LESTER        |            |       |
|---------------|------------|-------|
| Part No.      | Delco Remy |       |
|               | Part No.   | Model |
| 240-4070      | 8700008    | 24SI  |
| 240-4093B     | 8600064    | 35SI  |
| 240-4093C     | 8600064    | 35SI  |
| 240-4099C     | 8600065    | 35SI  |
| 240-4103C     | 8600066    | 35SI  |
| 240-4118      | 8600125    | 36SI  |
| 240-6312      | 19020614   | 7SI   |
| 240-754       | 10459196   | 33SI  |
| 240-819       | 1117801    | 30SI  |
| 240-819A      | 1117801    | 30SI  |
| 240-819C      | 1117801    | 30SI  |
| 240-825       | 1117805    | 30SI  |
| 240-825A      | 1117805    | 30SI  |
| 240-848A      | 10459013   | 21SI  |
| 240-868       | 1117915    | 21SI  |
| A-1922        | 10459122   | 50DN  |
| LUCAS         |            |       |
| Part No.      | Delco Remy |       |
|               | Part No.   | Model |
| LRS01230      | 1113281    | 28MT  |
| LRS01264      | 1113288    | 28MT  |
| LRS01384      | 1113273    | 28MT  |
| MACK          |            |       |
| Part No.      | Delco Remy |       |
|               | Part No.   | Model |
| 20861706      | 8600338    | 40SI  |
| 21001797      | 8200468    | 39MT  |
| 21019460      | 8200417    | 39MT  |
|               | 8300060    | 39MT  |
| 21045969      | 8200433    | 39MT  |
|               | 8200469    | 39MT  |
| 21069740      | 8600066    | 35SI  |
| 21070188      | 8600244    | 35SI  |
| 21175415      | 8600889    | 24SI  |
| 21286175      | 8600403    | 24SI  |
| 21493891      | 8200417    | 39MT  |
| 25109827      | 8600308    | 28SI  |
| 25110351      | 19020889   | 22SI  |
| 25110476      | 8600889    | 24SI  |
| 25165937      | 19020300   | 22SI  |
| 2132-1990483  | 1990483    | 42MT  |
| 2132X10461045 | 8200308    | 39MT  |
| 2132X10461052 | 10461052   | 42MT  |
| 2132X10461055 | 8200308    | 39MT  |
| 2MJ4112P2     | 8600308    | 28SI  |



# Competitor Cross Reference

| MACK             |            |       |
|------------------|------------|-------|
| Part No.         | Delco Remy |       |
|                  | Part No.   | Model |
| 2MJ4121P2        | 1117801    | 30SI  |
| 2MJ4139          | 19020396   | 22SI  |
| 2MJ4139M3        | 19020302   | 22SI  |
| 2MJ4139M4        | 19020303   | 22SI  |
| 2MJ4143          | 8600308    | 28SI  |
| 2MJ4145          | 8600308    | 28SI  |
| 2MJ511AM         | 19020889   | 22SI  |
| 2MJ512M          | 8600889    | 24SI  |
| 2MJ516M          | 8600032    | 24SI  |
| 2MJ516M2         | 19020903   | 24SI  |
| 2MJ516M3         | 19020901   | 24SI  |
| 2MJ522M          | 19020900   | 24SI  |
| 2MJ523M          | 19020902   | 24SI  |
| 2MJ525M          | 8600096    | 24SI  |
| 2MJ526M          | 8600082    | 36SI  |
| 2MJ532M          | 8600404    | 24SI  |
| 2MJ533M          | 8600403    | 24SI  |
| 2MJ549M          | 8600307    | 28SI  |
| 2MJ54A           | 8600307    | 28SI  |
|                  | 8600390    | 40SI  |
| 2MJ555M          | 8600248    | 36SI  |
| 2MJ560M          | 8600405    | 24SI  |
| 2MJ58M           | 19020387   | 22SI  |
| 2MJ58M2          | 19020388   | 22SI  |
| 2MJ58M3          | 19020389   | 22SI  |
| 5034-110555JHO   | 19020310   | 22SI  |
| 5034-2500LC      | 8600308    | 28SI  |
| 5034-4977AAH     | 8600338    | 40SI  |
| 5034-8LHA2054UAH | 8600308    | 28SI  |
| 5034-8LHP2172VAH | 19020888   | 22SI  |
| 5034-AVI160P2007 | 8600314    | 28SI  |
| 5034-BLP2303GH   | 8600066    | 35SI  |
| 5034-BLP2303H    | 8600066    | 35SI  |
| 5034-M125601     | 8200308    | 39MT  |
| 8MJ4172P1        | 8200308    | 39MT  |
| 8MJ4172T         | 8200308    | 39MT  |
| 8MJ4209          | 8200308    | 39MT  |
| 8MJ4267M         | 8200308    | 39MT  |
| 8MJ4267M2        | 8200308    | 39MT  |
| 8MJ4272M2        | 10479130   | 42MT  |
| 8MJ4295M         | 1990406    | 42MT  |
| 8MJ4295M2        | 1990405    | 42MT  |
| 8MJ4298AM        | 8200288    | 39MT  |
|                  | 8200308    | 39MT  |
| 8MJ4299M         | 1990352    | 42MT  |

| MACK           |            |       |
|----------------|------------|-------|
| Part No.       | Delco Remy |       |
|                | Part No.   | Model |
| 8MJ4299M2      | 1990355    | 42MT  |
| 8MJ4300M       | 10461052   | 42MT  |
| 8MJ4301        | 8200417    | 39MT  |
|                | 8300060    | 39MT  |
| 8MJ4304        | 8200417    | 39MT  |
| 8MJ498P3       | 8200308    | 39MT  |
| 8MJ5436M       | 10479266   | 42MT  |
| 8MJ5439M       | 8200289    | 39MT  |
| 8MJ5439M3      | 19011515   | 39MT  |
| MERCURY MARINE |            |       |
| Part No.       | Delco Remy |       |
|                | Part No.   | Model |
| 881248         | 19020706   | 5SI   |
| MITSUBISHI     |            |       |
| Part No.       | Delco Remy |       |
|                | Part No.   | Model |
| 82378          | 8200330    | 39MT  |
| 510751         | 8200330    | 39MT  |
| 510752         | 8200330    | 39MT  |
| 20430285       | 8200291    | 39MT  |
|                | 8200291    | 39MT  |
| 20520903       | 8200433    | 39MT  |
| 20711984       | 8200308    | 39MT  |
| 20851006       | 8200289    | 39MT  |
|                | 8200308    | 39MT  |
| 21001781       | 8200468    | 39MT  |
| 21001797       | 8200468    | 39MT  |
| 21001825       | 8200433    | 39MT  |
| 21019456       | 8200417    | 39MT  |
| 21045969       | 8200433    | 39MT  |
|                | 8200469    | 39MT  |
| 25172289       | 8200308    | 39MT  |
| 85103338       | 8200433    | 39MT  |
| 85109605       | 8200308    | 39MT  |
|                | 8200308    | 39MT  |
| 009T70077      | 8200289    | 39MT  |
| 101211-8410    | 8600127    | 36SI  |
|                | 8600889    | 24SI  |
| 3667911C91     | 8200817    | 39MT  |
| 71-01-1008     | 8200330    | 39MT  |
| 8MJ4298AM      | 8200288    | 39MT  |
|                | 8200308    | 39MT  |
| 8MJ5439M       | 8200289    | 39MT  |
| AM1171         | 8600127    | 36SI  |
| D61-6002-008   | 8200308    | 39MT  |

| MITSUBISHI |            |       |
|------------|------------|-------|
| Part No.   | Delco Remy |       |
|            | Part No.   | Model |
| FL0379     | 8200287    | 39MT  |
| FL0579     | 8200289    | 39MT  |
| FL0777     | 8200308    | 39MT  |
|            | 8200289    | 39MT  |
| FL0975     | 8200308    | 39MT  |
|            | 8200289    | 39MT  |
| FL1179     | 8200434    | 39MT  |
|            | 8200287    | 39MT  |
| IN0976     | 8200289    | 39MT  |
|            | 8200289    | 39MT  |
| IN1478     | 8200308    | 39MT  |
|            | 8200289    | 39MT  |
| IN2178     | 8200433    | 39MT  |
| IN3179     | 8200433    | 39MT  |
| IN-3179    | 8200433    | 39MT  |
| KW0779     | 8200290    | 39MT  |
|            | 8200290    | 39MT  |
| M009A7269  | 8200433    | 39MT  |
|            | 8200433    | 39MT  |
| M009D70979 | 8200308    | 39MT  |
| M009T0077  | 8200288    | 39MT  |
|            | 8200288    | 39MT  |
| M009T0279  | 19011515   | 39MT  |
| M009T70077 | 8200308    | 39MT  |
| M009T70279 | 8200291    | 39MT  |
|            | 8200291    | 39MT  |
| M009T70379 | 8200433    | 39MT  |
| M009T70579 | 8200289    | 39MT  |
|            | 8200289    | 39MT  |
| M009T70776 | 8200308    | 39MT  |
| M009T70779 | 8200289    | 39MT  |
|            | 8200308    | 39MT  |
|            | 8200289    | 39MT  |
|            | 8200308    | 39MT  |
| M009T70979 | 8200289    | 39MT  |
|            | 8200290    | 39MT  |
|            | 8200308    | 39MT  |
|            | 8200289    | 39MT  |
|            | 8200290    | 39MT  |
| M009T71075 | 8200468    | 39MT  |
| M009T71078 | 8200468    | 39MT  |

# Competitor Cross Reference

| MITSUBISHI        |            |       |
|-------------------|------------|-------|
| Part No.          | Delco Remy |       |
|                   | Part No.   | Model |
| <b>M009T71379</b> | 8200081    | 39MT  |
|                   | 8200433    | 39MT  |
|                   | 8200081    | 39MT  |
|                   | 8200433    | 39MT  |
|                   | 8300007    | 39MT  |
| <b>M009T71478</b> | 8200308    | 39MT  |
| <b>M009T71479</b> | 8200289    | 39MT  |
|                   | 8200308    | 39MT  |
|                   | 8200289    | 39MT  |
|                   | 8200308    | 39MT  |
| <b>M009T71579</b> | 8200081    | 39MT  |
|                   | 8200433    | 39MT  |
|                   | 8200081    | 39MT  |
|                   | 8200433    | 39MT  |
| <b>M009T71679</b> | 8200076    | 38MT  |
|                   | 8200076    | 38MT  |
| <b>M009T71879</b> | 8200289    | 39MT  |
|                   | 8200308    | 39MT  |
|                   | 8200289    | 39MT  |
|                   | 8200308    | 39MT  |
| <b>M009T71979</b> | 8200433    | 39MT  |
| <b>M009T72079</b> | 8200417    | 39MT  |
| <b>M009T72579</b> | 8200308    | 39MT  |
|                   | 8200308    | 39MT  |
| <b>M009T73179</b> | 8200433    | 39MT  |
| <b>M009T82378</b> | 8200330    | 39MT  |
| <b>M009T82479</b> | 8200330    | 39MT  |
| <b>M009T83379</b> | 8200330    | 39MT  |
| <b>M4T95479A</b>  | 10461025   | 42MT  |
| <b>M7T03774</b>   | 10461025   | 42MT  |
| <b>M970979</b>    | 8200290    | 39MT  |
|                   | 8200290    | 39MT  |
| <b>M983579</b>    | 8200308    | 39MT  |
|                   | 8200290    | 39MT  |
| <b>M9T70077</b>   | 8200288    | 39MT  |
| <b>M9T70279</b>   | 19011515   | 39MT  |
| <b>M9T70379</b>   | 8200433    | 39MT  |
| <b>M9T70776</b>   | 8200091    | 39MT  |
| <b>M9T70777</b>   | 8200091    | 39MT  |
| <b>M9T70975</b>   | 8200289    | 39MT  |
| <b>M9T70979</b>   | 8200308    | 39MT  |
| <b>M9T71179</b>   | 8200434    | 39MT  |
| <b>M9T73179</b>   | 8200433    | 39MT  |
| <b>M9T82378</b>   | 8200330    | 39MT  |
| <b>M9T82479</b>   | 8200330    | 39MT  |

| MITSUBISHI         |            |       |
|--------------------|------------|-------|
| Part No.           | Delco Remy |       |
|                    | Part No.   | Model |
| <b>M9T83379</b>    | 8200330    | 39MT  |
| <b>MC2378</b>      | 8200330    | 39MT  |
| <b>MIB70579FL</b>  | 8200289    | 39MT  |
| <b>MIB70777</b>    | 8200091    | 39MT  |
| <b>MIB70975</b>    | 8200289    | 39MT  |
| <b>MIB970059</b>   | 8200289    | 39MT  |
| <b>MIB970379</b>   | 8200434    | 39MT  |
| <b>MIB970579FL</b> | 8200289    | 39MT  |
| <b>MIB97059</b>    | 8200289    | 39MT  |
|                    | 8200308    | 39MT  |
| <b>MIB970777</b>   | 8200289    | 39MT  |
|                    | 8200308    | 39MT  |
| <b>MIB970777FL</b> | 8200308    | 39MT  |
|                    | 8200289    | 39MT  |
| <b>MIB970975</b>   | 8200289    | 39MT  |
|                    | 8200308    | 39MT  |
| <b>MIB970975FL</b> | 8200308    | 39MT  |
|                    | 8200289    | 39MT  |
| <b>MIB971179</b>   | 8200287    | 39MT  |
|                    | 8200287    | 39MT  |
| <b>MIB971179FL</b> | 8200434    | 39MT  |
|                    | 8200287    | 39MT  |
| <b>MIBFL1179</b>   | 8200434    | 39MT  |
| <b>MIBIN3179</b>   | 8200433    | 39MT  |
| <b>MIT3179</b>     | 8200433    | 39MT  |
| <b>MITFL1179</b>   | 8200434    | 39MT  |
| <b>MITIN1378</b>   | 8200433    | 39MT  |
| <b>MITIN3179</b>   | 8200433    | 39MT  |
|                    | 8200288    | 39MT  |
| <b>MK0077</b>      | 8200308    | 39MT  |
|                    | 8200468    | 39MT  |
| <b>MK1075</b>      | 8200468    | 39MT  |
| <b>MK1078</b>      | 8200468    | 39MT  |
|                    | 8200433    | 39MT  |
| <b>MK1978</b>      | 8200469    | 39MT  |
|                    | 8200417    | 39MT  |
| <b>MK2078</b>      | 8200417    | 39MT  |
| <b>MK2079</b>      | 8200417    | 39MT  |
|                    | 8200290    | 39MT  |
| <b>PB0979</b>      | 8200290    | 39MT  |
|                    | 1990490    | 42MT  |
| <b>PC0779</b>      | 10461053   | 42MT  |
|                    | 8200308    | 39MT  |
| <b>PC0979</b>      | 8200308    | 39MT  |
|                    | 8200433    | 39MT  |
| <b>PC1379</b>      | 8200308    | 39MT  |
|                    | 8200290    | 39MT  |
| <b>PC1479</b>      | 8200308    | 39MT  |
|                    | 8200290    | 39MT  |

| MITSUBISHI      |            |       |
|-----------------|------------|-------|
| Part No.        | Delco Remy |       |
|                 | Part No.   | Model |
| <b>PC1879</b>   | 8200308    | 39MT  |
|                 | 8200290    | 39MT  |
| <b>PV2479</b>   | 8200330    | 39MT  |
| <b>VV0279</b>   | 8200291    | 39MT  |
|                 | 8200433    | 39MT  |
| <b>VV0776</b>   | 8200308    | 39MT  |
|                 | 8200289    | 39MT  |
| <b>VV0977</b>   | 8200308    | 39MT  |
|                 | 8200289    | 39MT  |
| <b>VV1076</b>   | 8200468    | 39MT  |
| <b>VV1979</b>   | 8200433    | 39MT  |
|                 | 8200469    | 39MT  |
| <b>VV2079</b>   | 8200417    | 39MT  |
| <b>VV2080</b>   | 8200417    | 39MT  |
|                 | 8200417    | 39MT  |
| MOTORCRAFT      |            |       |
| Part No.        | Delco Remy |       |
|                 | Part No.   | Model |
| <b>GL-292</b>   | 1117801    | 30SI  |
| <b>GL-365</b>   | 8600310    | 24SI  |
| <b>GL-366</b>   | 8600310    | 24SI  |
| <b>SA1006</b>   | 10461298   | 37MT  |
| <b>SA1006RM</b> | 10461298   | 37MT  |
| <b>SA-756</b>   | 8200308    | 39MT  |
| <b>SA-756-A</b> | 8200308    | 39MT  |
| <b>SA-778</b>   | 8200308    | 39MT  |
| <b>SA-802</b>   | 10465150   | 28MT  |
| <b>SA-803</b>   | 10465151   | 28MT  |
| <b>SA-823</b>   | 8200308    | 39MT  |
|                 | 10461298   | 37MT  |
| <b>SA-825</b>   | 10479036   | 37MT  |
|                 | 8200308    | 39MT  |
| <b>SA-829</b>   | 8200308    | 39MT  |
| <b>SA-835</b>   | 8200308    | 39MT  |
| <b>SA-843</b>   | 10461474   | 28MT  |
| <b>SA-845</b>   | 8200308    | 39MT  |
| NAVISTAR        |            |       |
| Part No.        | Delco Remy |       |
|                 | Part No.   | Model |
| <b>513542</b>   | 19020310   | 22SI  |
| <b>514089</b>   | 19020310   | 22SI  |
| <b>585946</b>   | 19020310   | 22SI  |
| <b>1615186</b>  | 1990355    | 42MT  |
| <b>1664631</b>  | 19020310   | 22SI  |
| <b>1664632</b>  | 19020310   | 22SI  |
| <b>1697255</b>  | 19020310   | 22SI  |



# Competitor Cross Reference

| NAVISTAR |                        |       |
|----------|------------------------|-------|
| Part No. | Delco Remy             |       |
|          | Part No.               | Model |
| 2011457  | 1993997                | 37MT  |
| 2507146  | 8600300                | 40SI  |
| 2605855  | 8200817                | 39MT  |
| 3512058  | 8600307                | 28SI  |
| 3521047  | 8600280                | 40SI  |
| 3554455  | 8600064                | 35SI  |
| 3558751  | 19020387               | 22SI  |
| 3558752  | 19020388               | 22SI  |
| 3558753  | 19020389               | 22SI  |
| 3558756  | 19020889               | 22SI  |
| 3558757  | 19020889               | 22SI  |
| 3571135  | 8600094                | 40SI  |
| 3571513  | 19011407               | 29MT  |
| 3574171  | 8600308                | 28SI  |
| 3574174  | 1993997                | 37MT  |
| 3574176  | 10461233               | 42MT  |
| 3574551  | 19020310               | 22SI  |
| 3580988  | 8600314                | 28SI  |
| 3582070  | 8600127                | 36SI  |
| 3582072  | 8600066                | 35SI  |
| 3582185  | 8600889                | 24SI  |
| 3591698  | 19020310               | 22SI  |
| 3595329  | 8200005                | 38MT  |
| 3615419  | 8200308                | 39MT  |
| 3667911  | 8200817                | 39MT  |
| 3667912  | 8600315                | 28SI  |
|          | 8600889                | 24SI  |
| 3668605  | 8200817                | 39MT  |
| 3668608  | 8200817                | 39MT  |
| 3672731  | 8200433                | 39MT  |
| 3674775  | 8600315                | 28SI  |
| 3674776  | 8600314                | 28SI  |
| 3700148  | 8600316                | 28SI  |
| 3700150  | 8600889                | 24SI  |
| 3711092  | 8600314                | 28SI  |
| 3724566  | 8600315                | 28SI  |
| 3804470  | 19011407 <sup>18</sup> | 29MT  |
|          | 8200972 <sup>19</sup>  | 29MT  |
| 3804471  | 8200217                | 38MT  |
| 3804480  | 8200972                | 29MT  |
| 3813036  | 8600307                | 28SI  |
| 3815734  | 8200308                | 39MT  |
| 3819198  | 8600314                | 28SI  |
| 3837340  | 8600314                | 28SI  |
| 3837344  | 8600314                | 28SI  |

| NAVISTAR    |            |       |
|-------------|------------|-------|
| Part No.    | Delco Remy |       |
|             | Part No.   | Model |
| 3867569     | 8600315    | 28SI  |
| 3867570     | 8600314    | 28SI  |
| 16183118    | 8600308    | 28SI  |
| 3582070921  | 8600127    | 36SI  |
| 121913C91   | 1113274    | 28MT  |
| 1258304C    | 8600310    | 24SI  |
| 1258304C91  | 8600310    | 24SI  |
| 1258304C92  | 8600310    | 24SI  |
| 1518099C91  | 10479060   | 41MT  |
| 1614303C91  | 1990406    | 42MT  |
| 1615186C91  | 1990355    | 42MT  |
| 1615186C92  | 1990355    | 42MT  |
| 1616025C91  | 8600308    | 28SI  |
| 16183118C91 | 8600308    | 28SI  |
| 16183118C92 | 8600308    | 28SI  |
| 1651386C91  | 10461089   | 37MT  |
| 1654386C91  | 1993874    | 37MT  |
| 1664631C91  | 19020310   | 22SI  |
| 1664631C92  | 19020310   | 22SI  |
| 1664632C91  | 19020310   | 22SI  |
| 1664632C92  | 19020310   | 22SI  |
| 1673725C91  | 8200308    | 39MT  |
| 1688615C91  | 10461170   | 37MT  |
|             | 10478890   | 37MT  |
| 1697255C91  | 19020310   | 22SI  |
| 1697255C92  | 19020310   | 22SI  |
| 1822095C91  | 1990402    | 42MT  |
| 1830535C91  | 19020346   | 22SI  |
| 1876218C1   | 8200000    | 38MT  |
| 2011457C91  | 1993997    | 37MT  |
| 2011457C92  | 1993997    | 37MT  |
| 2011847C91  | 1993969    | 37MT  |
| 20165571C91 | 10461069   | 37MT  |
| 2016557C91  | 10478921   | 37MT  |
| 2018380C91  | 10478999   | 41MT  |
| 2018381C91  | 10478812   | 41MT  |
| 2507146C91  | 8600300    | 40SI  |
| 2507146C92  | 8600300    | 40SI  |
| 2593562C91  | 8200308    | 39MT  |
| 2593564C91  | 8200308    | 39MT  |
| 2605855C91  | 8200817    | 39MT  |
| 2605855C92  | 8200817    | 39MT  |
| 2605855C93  | 8200817    | 39MT  |
| 263819C91   | 8200308    | 39MT  |
| 3512058C91  | 8600307    | 28SI  |

| NAVISTAR   |            |       |
|------------|------------|-------|
| Part No.   | Delco Remy |       |
|            | Part No.   | Model |
| 3512058C92 | 8600307    | 28SI  |
| 3513615C92 | 8600308    | 28SI  |
| 3514998C91 | 8600308    | 28SI  |
| 3514998C92 | 8600308    | 28SI  |
| 3514998C93 | 8600308    | 28SI  |
| 3517186C91 | 19020310   | 22SI  |
| 3518520C91 | 8600308    | 28SI  |
| 3518520C92 | 8600308    | 28SI  |
| 3518520C93 | 8600308    | 28SI  |
| 3519105C91 | 8600308    | 28SI  |
| 3519105C92 | 8600308    | 28SI  |
| 3519105C93 | 8600308    | 28SI  |
| 3521047C91 | 8600280    | 40SI  |
| 3521047C92 | 8600280    | 40SI  |
| 3540038C91 | 1990490    | 42MT  |
| 3554455C91 | 8600064    | 35SI  |
| 3558037P91 | 8600126    | 36SI  |
| 3558751C91 | 19020387   | 22SI  |
| 3558751C92 | 19020387   | 22SI  |
| 3558752C91 | 19020388   | 22SI  |
| 3558752C92 | 19020388   | 22SI  |
| 3558753C91 | 19020389   | 22SI  |
| 3558753C92 | 19020389   | 22SI  |
| 3558756C91 | 19020889   | 22SI  |
| 3558756C92 | 19020889   | 22SI  |
| 3558757C91 | 8600889    | 24SI  |
| 3558757C92 | 19020889   | 22SI  |
| 3571135C91 | 8600094    | 40SI  |
| 3571135C92 | 8600094    | 40SI  |
| 3571513C91 | 19011407   | 29MT  |
|            | 19011407   | 29MT  |
| 3571513C93 | 19011407   | 29MT  |
| 3573427C91 | 1990355    | 42MT  |
| 3573427C92 | 1990355    | 42MT  |
| 3574171C91 | 8600308    | 28SI  |
| 3574171C92 | 8600308    | 28SI  |
| 3574171C93 | 8600308    | 28SI  |
| 3574173C91 | 10461169   | 37MT  |
|            | 1993969    | 37MT  |
| 3574174C91 | 1993997    | 37MT  |
| 3574174C92 | 1993997    | 37MT  |
| 3574175C   | 8200433    | 39MT  |
| 3574175C91 | 8200433    | 39MT  |
| 3574175C92 | 8200433    | 39MT  |

# Competitor Cross Reference

| NAVISTAR   |                        |       | NAVISTAR   |            |       | NAVISTAR   |                        |       |
|------------|------------------------|-------|------------|------------|-------|------------|------------------------|-------|
| Part No.   | Delco Remy             |       | Part No.   | Delco Remy |       | Part No.   | Delco Remy             |       |
|            | Part No.               | Model |            | Part No.   | Model |            | Part No.               | Model |
| 3574175C93 | 8200433                | 39MT  | 3593808C91 | 10478999   | 41MT  | 3700150C92 | 8600889                | 24SI  |
| 3574175C94 | 8200433                | 39MT  |            | 8200005    | 38MT  | 3700150C93 | 8600889                | 24SI  |
| 3574176C91 | 10461233               | 42MT  | 3593808C92 | 10478999   | 41MT  | 3700307C91 | 19026028               | 38MT  |
| 3574176C92 | 10461233               | 42MT  |            | 8200005    | 38MT  | 3711092C91 | 8600314                | 28SI  |
| 3574176C93 | 10461233               | 42MT  | 3593808C93 | 10478999   | 41MT  | 3711092C92 | 8600314                | 28SI  |
| 3574176C94 | 10461233               | 42MT  |            | 8200005    | 38MT  | 3711093C93 | 8600628                | 40SI  |
| 3574551C91 | 19020310               | 22SI  | 3593812C91 | 10478812   | 41MT  | 3711093C94 | 8600628                | 40SI  |
| 3574551C92 | 19020310               | 22SI  | 3593812C92 | 10478812   | 41MT  | 3718541C91 | 8600298                | 40SI  |
| 3576266C91 | 8600308                | 28SI  | 3594597C91 | 10479263   | 41MT  | 3718541C92 | 8600298                | 40SI  |
| 3576266C92 | 8600064                | 35SI  | 3595329C91 | 8200005    | 38MT  | 3721717C91 | 8600338                | 40SI  |
| 3576266C93 | 8600064                | 35SI  | 3595329C92 | 8200005    | 38MT  | 3721717C92 | 8600338                | 40SI  |
| 3576957C91 | 8200308                | 39MT  | 3595800C91 | 8200217    | 38MT  | 3724566C91 | 8600315                | 28SI  |
| 3576959C91 | 1990352                | 42MT  | 3598301C91 | 8200308    | 39MT  | 3724566C92 | 8600315                | 28SI  |
| 3576959C92 | 1990352                | 42MT  | 3598301C93 | 8200308    | 39MT  | 3725773C91 | 8600315                | 28SI  |
| 3576960C91 | 1990355                | 42MT  | 3601668C91 | 8200433    | 39MT  |            | 8600315                | 28SI  |
| 3576960C92 | 1990355                | 42MT  | 3605465C91 | 8200080    | 41MT  | 3804470C92 | 19011407 <sup>18</sup> | 29MT  |
| 3578445C92 | 8600310                | 24SI  | 3610406C91 | 8200081    | 39MT  |            | 8200972 <sup>19</sup>  | 29MT  |
| 3579498C91 | 8600889                | 24SI  | 3615419C91 | 8200308    | 39MT  | 3804470C93 | 19011407 <sup>18</sup> | 29MT  |
| 3579498C92 | 19020888               | 22SI  |            | 8200091    | 39MT  |            | 8200972 <sup>19</sup>  | 29MT  |
| 3579498C93 | 19020888               | 22SI  | 3615419C92 | 8200308    | 39MT  | 3804471C91 | 8200217                | 38MT  |
| 3580988C91 | 8600314                | 28SI  |            | 8200091    | 39MT  | 3804471C92 | 8200217                | 38MT  |
| 3580988C92 | 8600314                | 28SI  | 3615419C93 | 8200308    | 39MT  | 3804480C91 | 8200972                | 29MT  |
| 3582063C91 | 10461055               | 42MT  | 3667812C91 | 8600315    | 28SI  | 3804480C92 | 8200972                | 29MT  |
| 3582070C91 | 8600127                | 36SI  | 3667911C91 | 8200817    | 39MT  | 3804480C93 | 8200972                | 29MT  |
| 3582070C92 | 8600127                | 36SI  | 3667911C92 | 8200817    | 39MT  | 3804481C93 | 8200972                | 29MT  |
| 3582072C91 | 8600066 <sup>2</sup>   | 35SI  | 3667911C93 | 8200817    | 39MT  | 3807423C91 | 8200235                | 38MT  |
| 3582072C92 | 8600066                | 35SI  | 3667911C94 | 8200817    | 39MT  | 3813036C91 | 8600307                | 28SI  |
| 3582185C91 | 8600889                | 24SI  | 3667912C91 | 8600315    | 28SI  | 3813036C92 | 8600307                | 28SI  |
| 3582185C92 | 8600889                | 24SI  |            | 8600889    | 24SI  | 3815734C91 | 8200308                | 39MT  |
| 3582607C91 | 19011407 <sup>18</sup> | 29MT  | 3667912C92 | 8600315    | 28SI  | 3815734C92 | 8200308                | 39MT  |
|            | 8200972 <sup>19</sup>  | 29MT  |            | 8600889    | 24SI  | 3815734C93 | 8200308                | 39MT  |
| 3582607C92 | 19011407 <sup>18</sup> | 29MT  | 3668605C91 | 8200817    | 39MT  | 3815734C94 | 8200308                | 39MT  |
|            | 8200972 <sup>19</sup>  | 29MT  | 3668605C92 | 8200817    | 39MT  | 3819198C91 | 8600314                | 28SI  |
| 3584402C91 | 1990355                | 42MT  | 3668605C93 | 8200817    | 39MT  | 3819198C92 | 8600314                | 28SI  |
| 3584402C92 | 1990355                | 42MT  | 3668608C91 | 8200817    | 39MT  | 3837340C91 | 8600314                | 28SI  |
| 3584403C91 | 8200308                | 39MT  | 3668608C92 | 8200817    | 39MT  | 3837340C92 | 8600314                | 28SI  |
| 3584403C92 | 1990352                | 42MT  | 3672731C92 | 8200433    | 39MT  | 3837340C93 | 8600314                | 28SI  |
| 3586537C91 | 8600127                | 36SI  | 3674775C91 | 8600315    | 28SI  | 3837344C91 | 8600314                | 28SI  |
|            | 8600889                | 24SI  | 3674775C92 | 8600315    | 28SI  | 3837344C92 | 8600314                | 28SI  |
| 3586580C91 | 19011409               | 29MT  | 3674776C91 | 8600314    | 28SI  | 3837344C93 | 8600314                | 28SI  |
| 3588319C91 | 8600628                | 40SI  | 3674776C92 | 8600314    | 28SI  | 3863010C91 | 8200433                | 39MT  |
| 3588319C92 | 8600298                | 40SI  | 3676874C91 | 1990483    | 42MT  | 3867569C91 | 8600315                | 28SI  |
| 3588319C93 | 8600298                | 40SI  | 3700148C91 | 8600316    | 28SI  | 3867569C92 | 8600315                | 28SI  |
| 3591698C91 | 19020310               | 22SI  | 3700148C92 | 8600316    | 28SI  | 3867569C93 | 8600315                | 28SI  |
| 3591698C92 | 19020310               | 22SI  | 3700150C91 | 8600889    | 24SI  | 3867569C94 | 8600315                | 28SI  |

# Competitor Cross Reference

| NAVISTAR       |            |       |
|----------------|------------|-------|
| Part No.       | Delco Remy |       |
|                | Part No.   | Model |
| 3867570C91     | 8600314    | 28SI  |
| 3867570C92     | 8600314    | 28SI  |
| 3867570C93     | 8600314    | 28SI  |
| 3959202C91     | 8600308    | 28SI  |
| 3965972C91     | 8200433    | 39MT  |
|                | 8200817    | 39MT  |
| 4028274C91     | 8600314    | 28SI  |
| 513542C91      | 19020310   | 22SI  |
| 513542C92      | 19020310   | 22SI  |
| 514089C92      | 19020310   | 22SI  |
| 541747C91      | 1990355    | 42MT  |
| 573427C91      | 1990352    | 42MT  |
| 586986C91      | 1117641    | 20SI  |
| 597219C91      | 8200433    | 39MT  |
| 597220C91      | 1990405    | 42MT  |
| 6109330C91     | 8200308    | 39MT  |
| DRA19020888    | 19020888   | 22SI  |
| GL-572-RM      | 19020888   | 22SI  |
| GL-576         | 19020889   | 22SI  |
| GL-581         | 8600314    | 28SI  |
| GL-595         | 8600308    | 28SI  |
| GL-982         | 8600066    | 35SI  |
| IN2178         | 8200433    | 39MT  |
| MITIN1378      | 8200433    | 39MT  |
| MITIN1478      | 8200308    | 39MT  |
| MS2-503ND      | 8200308    | 39MT  |
| SA-1041        | 8200972    | 29MT  |
| ZLN2500LC      | 8600308    | 28SI  |
| ZLN4975PAA     | 8600094    | 40SI  |
| ZLN8LHA2054UAH | 8600308    | 28SI  |
| ZLN8LHP2172VAH | 19020888   | 22SI  |
| ZLNAVI160J2008 | 8600307    | 28SI  |
| ZLNAVI160P2007 | 8600314    | 28SI  |
| ZLNBLP2190H    | 19020889   | 22SI  |
| ZLNBLP2303GH   | 8600066    | 35SI  |
| ZLNBLP2303H    | 8600066    | 35SI  |
| ZLNLBA2108GH   | 8600308    | 28SI  |
| ZLNLBP2180GH   | 8600889    | 24SI  |
| PACCAR         |            |       |
| Part No.       | Delco Remy |       |
|                | Part No.   | Model |
| 3949533        | 10461328   | 42MT  |
| 10459008RMAN   | 10459008   | 30SI  |
| 10459013RMAN   | 10459013   | 21SI  |
| 10459037RMAN   | 10459037   | 21SI  |

| PACCAR         |            |       |
|----------------|------------|-------|
| Part No.       | Delco Remy |       |
|                | Part No.   | Model |
| 10459046RMAN   | 10459046   | 21SI  |
| 10459189RMAN   | 10459189   | 22SI  |
| 10459320RMAN   | 10459320   | 22SI  |
| 10461045RMAN   | 10461045   | 40MT  |
| 10461052RMAN   | 10461052   | 42MT  |
| 10461053RMAN   | 10461053   | 42MT  |
| 10461055RMAN   | 10461055   | 42MT  |
| 10461066RMAN   | 10461066   | 37MT  |
| 10461075RMAN   | 10461075   | 42MT  |
| 10461077RMAN   | 10461077   | 42MT  |
| 10461078RMAN   | 10461078   | 42MT  |
| 10461207RMAN   | 10461207   | 37MT  |
| 10461329RMAN   | 10461329   | 42MT  |
| 10461496RMAN   | 10461496   | 41MT  |
| 10461738RMAN   | 10461738   | 50MT  |
| 4977AAH        | 8600338    | 40SI  |
| 8700016RMAN    | 8700016    | 35SI  |
| 8700018RMAN    | 8700018    | 35SI  |
| D27-1006-0160P | 8600315    | 28SI  |
|                | 8600889    | 24SI  |
| D27-3001-0130J | 8600126    | 36SI  |
| D27-6001-00000 | 8600127    | 36SI  |
| D27-6001-0130J | 8600308    | 28SI  |
|                | 8600126    | 36SI  |
| D27-6001-0130P | 8600127    | 36SI  |
| D27-6001-1030P | 8600127    | 36SI  |
| D27-6006-00001 | 8600889    | 24SI  |
| D61-1001-001   | 8200796    | 29MT  |
| D61-6001-000   | 8200308    | 39MT  |
| D61-6002-001   | 8200308    | 39MT  |
| D61-6002-002   | 8200289    | 39MT  |
|                | 8200308    | 39MT  |
| D61-6002-003   | 8200433    | 39MT  |
| D61-6002-004   | 8200289    | 39MT  |
|                | 8200308    | 39MT  |
| D61-6002-005   | 8200081    | 39MT  |
|                | 8200433    | 39MT  |
| D61-6002-007   | 8200076    | 38MT  |
| D61-6002-008   | 8200289    | 39MT  |
|                | 8200308    | 39MT  |
| D61-6002-009   | 8200433    | 39MT  |
| D61-6002-010   | 8200793    | 39MT  |
| DR 10461053    | 10461053   | 42MT  |
| K371-208-1     | 8600308    | 28SI  |
| LBA2108GH      | 8600308    | 28SI  |

| PACCAR         |            |       |
|----------------|------------|-------|
| Part No.       | Delco Remy |       |
|                | Part No.   | Model |
| LBP2180GH      | 8600889    | 24SI  |
| PC0979         | 8200308    | 39MT  |
|                | 8200308    | 39MT  |
| PC1479         | 8200290    | 39MT  |
|                | 8200308    | 39MT  |
| PC1879         | 8200290    | 39MT  |
|                | 8200308    | 39MT  |
| RX10461435RMAN | 10461435   | 41MT  |
| VOLVO TRUCK    |            |       |
| Part No.       | Delco Remy |       |
|                | Part No.   | Model |
| 3081510        | 1990352    | 42MT  |
| 3165089        | 10479192   | 42MT  |
| 3939951        | 19010105   | 21SI  |
| 3947582        | 10461265   | 42MT  |
| 3948718        | 8600308    | 28SI  |
| 3948721        | 8600310    | 24SI  |
| 3973169        | 19020300   | 22SI  |
| 3973170        | 19020302   | 22SI  |
| 3973171        | 19020303   | 22SI  |
| 8081343        | 1990489    | 42MT  |
| 8081344        | 1990490    | 42MT  |
| 8081345        | 1990355    | 42MT  |
| 20432045       | 10479265   | 42MT  |
| 20458726       | 19020387   | 22SI  |
| 20458728       | 19020388   | 22SI  |
| 20461570       | 19011191   | 34SI  |
| 20469961       | 1990405    | 42MT  |
| 20469963       | 1990406    | 42MT  |
| 20485730       | 19020389   | 22SI  |
| 20513853       | 10479243   | 41MT  |
| 20520903       | 8200433    | 39MT  |
| 20529774       | 19011516   | 39MT  |
| 20731028       | 8600015    | 36SI  |
| 20815227       | 8200417    | 39MT  |
| 20851006       | 8200289    | 39MT  |
|                | 8200308    | 39MT  |
| 20851008       | 19011530   | 39MT  |
| 21001825       | 8200433    | 39MT  |
| 21019456       | 8200417    | 39MT  |
| 21069683       | 8600252    | 36SI  |
| 21076610       | 8600127    | 36SI  |
| 21749781       | 8600314    | 28SI  |
| 21942883       | 8200308    | 39MT  |
| 21942887       | 8200433    | 39MT  |

# Competitor Cross Reference

| VOLVO TRUCK          |                    |          | WAI                  |                    |                 | WAI                |                    |                  |
|----------------------|--------------------|----------|----------------------|--------------------|-----------------|--------------------|--------------------|------------------|
| Part No.             | Delco Remy         |          | Part No.             | Delco Remy         |                 | Part No.           | Delco Remy         |                  |
|                      | Part No.           | Model    |                      | Part No.           | Model           |                    | Part No.           | Model            |
| <b>21942888</b>      | 8200433            | 39MT     | <b>1-2300-00DR</b>   | 10459013           | 21SI            | <b>20-118-1</b>    | 10459319           | 20SI             |
| <b>21942889</b>      | 8200308            | 39MT     |                      | 10459037           | 21SI            |                    | 1117619            | 20SI             |
| <b>85103338</b>      | 8200433            | 39MT     |                      | 1117965            | 21SI            |                    | 1117645            | 20SI             |
| <b>LN BLP2303GH</b>  | 8600066            | 35SI     | <b>1-2301-00DR</b>   | 10459065           | 26SI            |                    | 1117647            | 20SI             |
| <b>VV1076</b>        | 8200468            | 39MT     |                      | 10459067           | 26SI            |                    | 1117655            | 20SI             |
| <b>WAI</b>           |                    |          | <b>1-2333-00DR</b>   | 10459037           | 21SI            | <b>20-119-1</b>    | 10459077           | 26SI             |
| Part No.             | Delco Remy         |          | <b>1-2334-00DR</b>   | 10459037           | 21SI            | <b>20-121-1</b>    | 10459064           | 26SI             |
|                      | Part No.           | Model    |                      | 10459336           | 21SI            |                    | 19010001           | 26SI             |
| <b>1-1915-00DR</b>   | 10459013           | 21SI     |                      | 19010126           | 21SI            | <b>20-131-1</b>    | 10459008           | 30SI             |
|                      | 10459037           | 21SI     | <b>1-2334-00DR-3</b> | 10459037           | 21SI            | <b>20-132-1</b>    | 10459002           | 30SI             |
| <b>1-1916-00DR</b>   | 10459046           | 21SI     |                      | 10459336           | 21SI            |                    | 10459057           | 30SI             |
|                      | 19010112           | 21SI     |                      | 19010126           | 21SI            |                    | 1117805            | 30SI             |
|                      | 19020386           | 22SI     | <b>1-2428-00DR-3</b> | 10459320           | 22SI            |                    | 1117821            | 30SI             |
| <b>1-1917-00DR</b>   | 10459049           | 21SI     |                      | 10459321           | 22SI            | <b>20-133-1</b>    | 10459009           | 30SI             |
| <b>1-1918-00DR</b>   | 10459037           | 21SI     |                      | 19020388           | 22SI            | <b>20-178-1</b>    | 10459076           | 26SI             |
|                      | 10459051           | 21SI     |                      | 19020389           | 22SI            | <b>2-1582-DR</b>   | 10461110           | 37MT             |
|                      | 19010166           | 21SI     |                      | 19020803           | 22SI            |                    | <b>2-1582-DR-1</b> | 10461110         |
| <b>1-2044-00DR</b>   | 10459188           | 22SI     |                      | 19020804           | 22SI            |                    |                    | 10461209         |
|                      | 19020300           | 22SI     |                      | 19020889           | 22SI            | 1993947            |                    | 37MT             |
| <b>1-2065-00DR</b>   | 10459189           | 22SI     | <b>1-2431-00DR-3</b> | 19020309           | 22SI            | <b>2-1584-DR-2</b> | 10461066           | 37MT             |
|                      | 10459190           | 22SI     | <b>1-2488-01DR</b>   | 19020614           | 7SI             |                    | 10461098           | 37MT             |
|                      | 19020302           | 22SI     | <b>1-2558-00DR-1</b> | 10459196           | 33SI            |                    | 1993964            | 37MT             |
|                      | 19020303           | 22SI     |                      | 19011153           | 33SI            | <b>2-1961-ND</b>   | 8200308            | 39MT             |
| <b>1-2065-00DR-3</b> | 10459189           | 22SI     | <b>1-2561-00DR</b>   | 8600065            | 35SI            | <b>2-2051-DR</b>   | 10461474           | 28MT             |
|                      | 10459190           | 22SI     |                      | 8700017            | 35SI            | <b>2-2206-DR</b>   | 10461170           | 37MT             |
|                      | 19020302           | 22SI     | <b>1-2562-00DR</b>   | 8600066            | 35SI            | <b>2-2206-DR-1</b> | 10461170           | 37MT             |
|                      | 19020303           | 22SI     |                      | 8700018            | 35SI            |                    | 10478890           | 37MT             |
| <b>1-2154-00DR</b>   | 10459204           | 22SI     | <b>1-2563-00DR</b>   | 8600064            | 35SI            | <b>2-2207-DR</b>   | 10461257           | 37MT             |
|                      | 19020308           | 22SI     | <b>1-2570-00DR</b>   | 8700016            | 35SI            | <b>2-2207-DR-1</b> | 10461525           | 37MT             |
|                      | 19020312           | 22SI     |                      | 19020900           | 24SI            |                    | 1993903            | 37MT             |
|                      | <b>1-2280-00DR</b> | 10459461 | 21SI                 | 8700008            | 24SI            | <b>2-2347-DR-1</b> | 10461777           | 39MT             |
| 10461235             |                    | 21SI     | <b>1-2662-00DR</b>   | 10459481           | 22SI            |                    | 19011516           | 39MT             |
| <b>1-2291-00DR</b>   | 19010108           | 21SI     | <b>1-2663-00DR</b>   | 10459483           | 22SI            |                    | 19011518           | 39MT             |
|                      | 19010111           | 21SI     | <b>1-2680-00DR</b>   | 10459199           | 34SI            | <b>2-2348-DR</b>   | 19011523           | 39MT             |
|                      | 19010182           | 21SI     |                      | 19011168           | 34SI            |                    | 8300016            | 39MT             |
|                      | <b>1-2292-00DR</b> | 1117915  | 21SI                 | <b>1-2682-00DR</b> | 8600125         | 36SI               | <b>2-2349-DR</b>   | 19011524         |
| 10459013             |                    | 21SI     | 8700045              |                    | 36SI            | 8300014            |                    | 39MT             |
| <b>1-2297-00DR</b>   | 19010105           | 21SI     | <b>20-1112</b>       | 19010112           | 21SI            | <b>2-2349-DR-1</b> | 19011524           | 39MT             |
|                      | 19010181           | 21SI     | <b>20-1163-1</b>     | 10459008           | 30SI            |                    | 8300014            | 39MT             |
|                      | <b>1-2299-00DR</b> | 10459051 |                      | 21SI               | <b>20-117-1</b> | 1117801            | 30SI               | <b>2-2350-DR</b> |
| <b>2-2350-DR-2</b>   |                    | 10459020 | 20SI                 | 10459020           |                 | 20SI               | <b>2-2350-DR-1</b> | 8300020          |
|                      | 1117641            | 20SI     | <b>2-2352-DR-1</b>   | 19011518           |                 | 39MT               | <b>2-2352-DR-1</b> | 19011518         |
| <b>2-2353-DR-1</b>   | 10461770           | 29MT     | <b>2-2353-DR-1</b>   | 19011514           | 39MT            | <b>2-2353-DR-1</b> | 19011514           | 39MT             |
|                      | 19011400           | 29MT     |                      | 10461770           | 29MT            |                    | 19011400           | 29MT             |



# Competitor Cross Reference

| WAI         |            |       |
|-------------|------------|-------|
| Part No.    | Delco Remy |       |
|             | Part No.   | Model |
| 2-2366-DR   | 19011529   | 39MT  |
|             | 19011530   | 39MT  |
|             | 8300019    | 39MT  |
| 2-2367-DR   | 19011521   | 39MT  |
|             | 8300009    | 39MT  |
| 2-2372-DR   | 10461769   | 38MT  |
|             | 19026028   | 38MT  |
|             | 8200005    | 38MT  |
|             | 8300005    | 38MT  |
| 2-2375-DR   | 8200000    | 38MT  |
|             | 8200072    | 38MT  |
|             | 8300025    | 38MT  |
| 2-2375-DR-1 | 8200000    | 38MT  |
|             | 8200072    | 38MT  |
|             | 8300025    | 38MT  |
| 2-2377-DR   | 10461768   | 38MT  |
|             | 19026027   | 38MT  |
|             | 8200076    | 38MT  |
|             | 8300021    | 38MT  |
| 2-2377-DR-1 | 10461768   | 38MT  |
|             | 19026027   | 38MT  |
|             | 8200076    | 38MT  |
|             | 8300021    | 38MT  |
| 2-2379-DR   | 8200078    | 38MT  |
|             | 8300023    | 38MT  |
| 2-2389-DR   | 10461772   | 29MT  |
|             | 19011403   | 29MT  |
| 2-2391-DR   | 10461765   | 29MT  |
|             | 19011409   | 29MT  |
| 2-2470-DR   | 10478953   | 37MT  |
| 2-2471-DR   | 10461078   | 42MT  |
| 2-2472-DR   | 10461240   | 41MT  |
|             | 10478818   | 41MT  |
| 2-2703-DR   | 10461053   | 42MT  |
|             | 1990490    | 42MT  |
| 2-2704-DR-2 | 19011402   | 29MT  |
| 2-2899-DR   | 10461045   | 40MT  |
| 50-100      | 1990379    | 42MT  |
| 50-100-2    | 1990379    | 42MT  |
| 50-104      | 10461047   | 40MT  |
|             | 1114987    | 40MT  |
| 50-104-1    | 10461047   | 40MT  |
|             | 1114987    | 40MT  |
| 50-104-2    | 10461047   | 40MT  |
|             | 1114987    | 40MT  |

| WAI      |            |       |
|----------|------------|-------|
| Part No. | Delco Remy |       |
|          | Part No.   | Model |
| 50-107   | 10461738   | 50MT  |
| 50-108   | 10461045   | 40MT  |
| 50-108-1 | 10461045   | 40MT  |
| 50-108-2 | 10461045   | 40MT  |
| 50-111   | 10479323   | 50MT  |
| 50-111-1 | 10479323   | 50MT  |
| 50-113   | 10461044   | 37MT  |
| 50-113-1 | 10461044   | 37MT  |
| 50-150   | 10461414   | 42MT  |
| 50-150-1 | 10461414   | 42MT  |
| 50-150-2 | 10461414   | 42MT  |
| 50-151   | 8200330    | 39MT  |
| 50-151-1 | 8200330    | 39MT  |
| 50-151-2 | 8200330    | 39MT  |
| 50-151-3 | 8200330    | 39MT  |
| 50-152   | 1990453    | 42MT  |
| 50-152-1 | 1990453    | 42MT  |
| 50-152-2 | 1990453    | 42MT  |
| 50-153   | 1990483    | 42MT  |
| 50-153-1 | 1990483    | 42MT  |
| 50-153-2 | 1990483    | 42MT  |
| 50-158   | 10461108   | 37MT  |
| 50-158-1 | 10461069   | 37MT  |
|          | 10461108   | 37MT  |
| 50-160   | 10461016   | 37MT  |
| 50-160-1 | 10461016   | 37MT  |
|          | 1993902    | 37MT  |
| 50-161-1 | 10461225   | 37MT  |
| 50-162   | 10461089   | 37MT  |
| 50-162-1 | 10461008   | 37MT  |
|          | 10461089   | 37MT  |
|          | 1993871    | 37MT  |
|          | 1993874    | 37MT  |
| 50-192   | 10461055   | 42MT  |
| 50-192-1 | 10461055   | 42MT  |
|          | 10461096   | 42MT  |
|          | 1990355    | 42MT  |
|          | 1990484    | 42MT  |
| 50-192-2 | 10461055   | 42MT  |
|          | 10461096   | 42MT  |
|          | 1990355    | 42MT  |
|          | 1990484    | 42MT  |
| 50-193   | 10461058   | 37MT  |
| 50-193-1 | 10461058   | 37MT  |
|          | 1993854    | 37MT  |

| WAI       |            |       |
|-----------|------------|-------|
| Part No.  | Delco Remy |       |
|           | Part No.   | Model |
| 50-194    | 10461098   | 37MT  |
| 50-194-1  | 10461098   | 37MT  |
|           | 1993963    | 37MT  |
| 50-8402   | 1113296    | 28MT  |
| 50-8402-2 | 10465168   | 28MT  |
|           | 1113296    | 28MT  |
| 50-8403   | 10461445   | 28MT  |
|           | 1113273    | 28MT  |
| 50-8404   | 10461450   | 28MT  |
|           | 1113281    | 28MT  |
| 50-8405   | 1113274    | 28MT  |
| 50-8406   | 1113275    | 28MT  |
| 50-8406-2 | 10461446   | 28MT  |
|           | 1113275    | 28MT  |
| 50-8407   | 10465043   | 28MT  |
| 50-8416   | 1113277    | 28MT  |
| 50-8417   | 1113290    | 28MT  |
| 50-8418   | 10479605   | 28MT  |
| 50-8421   | 10461486   | 28MT  |
|           | 1113277    | 28MT  |
|           | 1113291    | 28MT  |
| 50-8422   | 10461443   | 28MT  |
| 50-8423   | 1113288    | 28MT  |
| 50-8425   | 10465151   | 28MT  |
|           | 10479615   | 28MT  |
|           | 10479618   | 28MT  |
| 50-8428   | 10465150   | 28MT  |
| 50-8429   | 1113285    | 28MT  |
| 50-8431   | 1113274    | 28MT  |
| 50-8434   | 10479616   | 28MT  |
| 50-8437   | 10465043   | 28MT  |
|           | 10479617   | 28MT  |
| 6356N     | 1990352    | 42MT  |
| 6380N-PT  | 1993874    | 37MT  |
| 6382N-PT  | 10461225   | 37MT  |
|           | 1993988    | 37MT  |
| 6513N     | 1990355    | 42MT  |
| 6841N     | 19011402   | 29MT  |
| 6907N     | 8200433    | 39MT  |
| 6924N     | 8200308    | 39MT  |
| 8076N     | 19020310   | 22SI  |
| 8329N     | 8600310    | 24SI  |
| 8362N     | 19020889   | 22SI  |
| 8410N     | 8600889    | 24SI  |
| 8607N     | 8600064    | 35SI  |

# Competitor Cross Reference

| WAI         |            |       | WILSON     |            |            | WILSON      |            |       |
|-------------|------------|-------|------------|------------|------------|-------------|------------|-------|
| Part No.    | Delco Remy |       | Part No.   | Delco Remy |            | Part No.    | Delco Remy |       |
|             | Part No.   | Model |            | Part No.   | Model      |             | Part No.   | Model |
| 8609N       | 8600066    | 35SI  | 90-01-3071 | 19020310   | 22SI       | 90-01-4270  | 19020310   | 22SI  |
| 8718N       | 8600310    | 24SI  | 90-01-3093 | 10459009   | 30SI       | 90-01-4270N | 19020310   | 22SI  |
| 8719N       | 8600889    | 24SI  | 90-01-3094 | 10459004   | 30SI       | 90-01-4272  | 8700017    | 35SI  |
| 8722N       | 19020208   | 11SI  | 90-01-3097 | 1117734    | 30SI       | 90-01-4295  | 19020309   | 22SI  |
| RF10461052  | 10461052   | 42MT  | 90-01-3098 | 1117733    | 30SI       | 90-01-4297  | 19020310   | 22SI  |
| RF10461053  | 10461053   | 42MT  | 90-01-3117 | 10459013   | 21SI       | 90-01-4297N | 19020310   | 22SI  |
|             | 1990490    | 42MT  | 90-01-3127 | 10459020   | 20SI       | 90-01-4298  | 8600308    | 28SI  |
| RF10461055  | 10461055   | 42MT  |            | 1117641    | 20SI       |             | 8600310    | 24SI  |
| RF10461075  | 10461075   | 42MT  | 90-01-3156 | 10459319   | 20SI       | 90-01-4299  | 8600308    | 28SI  |
| RF10909176  | 8600066    | 35SI  |            | 1117645    | 20SI       |             | 8600310    | 24SI  |
| RF189082032 | 8600310    | 24SI  | 90-01-3157 | 10459319   | 20SI       | 90-01-4306  | 10459161   | 26SI  |
| RF19020310  | 19020310   | 22SI  |            | 1117619    | 20SI       | 90-01-4323  | 10459196   | 33SI  |
| RF20918584  | 1990483    | 42MT  |            | 1117647    | 20SI       |             | 19011153   | 33SI  |
| RF2919074   | 8200289    | 39MT  | 90-01-4057 | 1117801    | 30SI       | 90-01-4324  | 10459199   | 34SI  |
| RF299136698 | 10478999   | 41MT  | 90-01-4058 | 8600064    | 35SI       | 90-01-4328  | 8700018    | 35SI  |
| RF36919524  | 8200308    | 39MT  | 90-01-4072 | 19020310   | 22SI       | 90-01-4329  | 8700018    | 35SI  |
| RF39152457  | 1990352    | 42MT  | 90-01-4073 | 10459461   | 21SI       | 90-01-4391  | 8600066    | 35SI  |
| RF4091367   | 8200287    | 39MT  |            | 19010108   | 21SI       | 90-01-4392  | 10459320   | 22SI  |
| RF43400738  | 10461075   | 42MT  | 90-01-4074 | 19020310   | 22SI       |             | 19020388   | 22SI  |
| RF454009857 | 1990483    | 42MT  | 90-01-4081 | 1117807    | 30SI       | 90-01-4393  | 10459321   | 22SI  |
| RF49055743  | 19020889   | 22SI  | 90-01-4093 | 19020310   | 22SI       |             | 19020889   | 22SI  |
| RF49907022  | 19020889   | 22SI  | 90-01-4109 | 19020310   | 22SI       | 90-01-4393N | 10459321   | 22SI  |
| RF559066828 | 8600889    | 24SI  | 90-01-4111 | 19020310   | 22SI       |             | 19020889   | 22SI  |
| RF58904626  | 8600310    | 24SI  | 90-01-4118 | 19010112   | 21SI       | 90-01-4397  | 8600388    | 24SI  |
| RF61913996  | 1990355    | 42MT  | 90-01-4119 | 10459049   | 21SI       | 90-01-4406  | 19020614   | 7SI   |
| RF61918993  | 8200290    | 39MT  |            | 19020386   | 22SI       |             | 19020616   | 7SI   |
| RF64902611  | 19020310   | 22SI  | 90-01-4154 | 10459002   | 30SI       | 90-01-4408  | 1117801    | 30SI  |
| RF719118336 | 8200289    | 39MT  |            | 10459057   | 30SI       | 90-01-4423  | 10459311   | 33SI  |
| RF74913642  | 8200289    | 39MT  |            | 10459120   | 30SI       | 90-01-4447  | 8600889    | 24SI  |
| RF779137078 | 8200433    | 39MT  |            | 1117805    | 30SI       | 90-01-4450  | 8600889    | 24SI  |
| RF79097019  | 19020310   | 22SI  |            | 1117817    | 30SI       | 90-01-4468  | 8600066    | 35SI  |
| RF8200308   | 8200308    | 39MT  | 90-01-4171 | 10459051   | 21SI       | 90-01-4470  | 10459483   | 22SI  |
| RF8200433   | 8200433    | 39MT  |            | 10459064   | 26SI       | 90-01-4502  | 8600127    | 36SI  |
| RF851051533 | 8600064    | 35SI  | 19010001   | 26SI       | 90-01-4506 | 8600082     | 36SI       |       |
| RF8600066   | 8600066    | 35SI  | 90-01-4172 | 10459076   | 26SI       | 90-01-4511  | 8600064    | 35SI  |
| RF8600310   | 8600310    | 24SI  |            | 19010002   | 26SI       | 90-01-4511N | 8600064    | 35SI  |
| RF8904714   | 8600889    | 24SI  | 90-01-4173 | 10459065   | 26SI       | 90-01-4512  | 8600017    | 24SI  |
| RF89183245  | 1993874    | 37MT  |            | 10459077   | 26SI       | 90-01-4513  | 8600066    | 35SI  |
| RF919164555 | 8200289    | 39MT  | 90-01-4174 | 10459065   | 26SI       |             | 8700017    | 35SI  |
| RF99081568  | 8600203    | 36SI  |            | 10459067   | 26SI       | 90-01-4513N | 8600066    | 35SI  |
| WILSON      |            |       | 90-01-4185 | 1117915    | 21SI       | 90-01-4514  | 8600125    | 36SI  |
| Part No.    | Delco Remy |       | 90-01-4261 | 8600064    | 35SI       | 90-01-4515  | 8600126    | 36SI  |
|             | Part No.   | Model | 90-01-4262 | 8700016    | 35SI       | 90-01-4516  | 8600127    | 36SI  |
| 8LHA2121V   | 8600310    | 24SI  | 90-01-4267 | 10459189   | 22SI       | 90-01-4533  | 19020208   | 11SI  |
| 90-01-3030  | 10459064   | 26SI  | 90-01-4269 | 10459188   | 22SI       | 90-01-4576  | 8600310    | 24SI  |



# Competitor Cross Reference

| WILSON      |            |       |
|-------------|------------|-------|
| Part No.    | Delco Remy |       |
|             | Part No.   | Model |
| 90-01-4576N | 8600310    | 24SI  |
| 90-01-4577  | 8600889    | 24SI  |
| 90-01-4577N | 8600889    | 24SI  |
| 90-01-4834  | 10459261   | 21SI  |
| 90-01-5500  | 10459124   | 50DN  |
| 90-01-5501  | 10459121   | 50DN  |
| 90-01-5502  | 10459122   | 50DN  |
| 90-01-5504  | 10459123   | 50DN  |
| 90-01-7100  | 8600307    | 28SI  |
| 90-04-7020  | 10459077   | 26SI  |
| 90-04-7039  | 8600310    | 24SI  |
| 90-04-7039N | 8600310    | 24SI  |
| 90-04-7056  | 8600307    | 28SI  |
|             | 8600390    | 40SI  |
| 90-04-7057  | 8600390    | 40SI  |
| 90-04-7058  | 8600307    | 28SI  |
|             | 8600390    | 40SI  |
| 90-04-7059  | 8600307    | 28SI  |
|             | 8600390    | 40SI  |
| 90-04-7062  | 8600280    | 40SI  |
| 90-04-7064  | 8600280    | 40SI  |
| 90-04-7073  | 8600064    | 35SI  |
| 90-04-7076  | 8600310    | 24SI  |
| 90-04-7084  | 8600308    | 28SI  |
|             | 8600310    | 24SI  |
| 90-04-7085  | 8600308    | 28SI  |
| 90-04-7087  | 8600311    | 28SI  |
| 90-04-7097  | 8600094    | 40SI  |
| 90-04-7100  | 8600307    | 28SI  |
| 90-05-9124  | 8600310    | 24SI  |
| 90-05-9197  | 8600310    | 24SI  |
| 90-05-9221  | 8600126    | 36SI  |
| 90-05-9234  | 8600126    | 36SI  |
| 90-05-9235  | 8600126    | 36SI  |
| 90-05-9236  | 8600126    | 36SI  |
| 90-05-9241  | 8600308    | 28SI  |
| 90-05-9249  | 8600127    | 36SI  |
| 90-05-9250  | 8600127    | 36SI  |
| 90-05-9251  | 8600127    | 36SI  |
| 90-05-9252  | 8600127    | 36SI  |
| 90-05-9295  | 8600889    | 24SI  |
| 90-05-9296  | 19020889   | 22SI  |
| 90-05-9304  | 8600310    | 24SI  |
| 90-05-9304N | 8600310    | 24SI  |
| 90-15-6424  | 8600310    | 24SI  |

| WILSON      |            |       |
|-------------|------------|-------|
| Part No.    | Delco Remy |       |
|             | Part No.   | Model |
| 90-15-6569  | 8600889    | 24SI  |
| 90-15-6569N | 8600889    | 24SI  |
| 90-15-6570  | 8600313    | 28SI  |
| 90-15-6570N | 8600313    | 28SI  |
| 90-15-6571  | 8600314    | 28SI  |
| 90-29-5429  | 8600126    | 36SI  |
| 90-29-5430  | 8600126    | 36SI  |
| 90-29-5436  | 8600126    | 36SI  |
| 91-01-3700  | 10461047   | 40MT  |
|             | 8200330    | 39MT  |
| 91-01-3700N | 10461047   | 40MT  |
|             | 8200330    | 39MT  |
| 91-01-3701  | 1990483    | 42MT  |
|             | 8200308    | 39MT  |
| 91-01-3701N | 1990483    | 42MT  |
|             | 8200308    | 39MT  |
| 91-01-3702  | 10461046   | 40MT  |
|             | 8200433    | 39MT  |
| 91-01-3703  | 10461107   | 40MT  |
| 91-01-3787  | 10461059   | 40MT  |
| 91-01-3927  | 10465168   | 28MT  |
|             | 1113296    | 28MT  |
| 91-01-3948  | 10461739   | 50MT  |
| 91-01-4024  | 1990210    | 40MT  |
| 91-01-4040  | 10461060   | 40MT  |
| 91-01-4111  | 10479342   | 50MT  |
| 91-01-4111N | 10479342   | 50MT  |
| 91-01-4140  | 10461069   | 37MT  |
|             | 10461108   | 37MT  |
| 91-01-4143  | 10461016   | 37MT  |
|             | 1993902    | 37MT  |
| 91-01-4146  | 10461015   | 37MT  |
| 91-01-4148  | 10461225   | 37MT  |
|             | 1993988    | 37MT  |
| 91-01-4151  | 10461592   | 42MT  |
| 91-01-4152  | 10461077   | 42MT  |
| 91-01-4157  | 1990418    | 42MT  |
| 91-01-4158  | 10461025   | 42MT  |
| 91-01-4158N | 1993796    | 42MT  |
| 91-01-4159  | 10461054   | 42MT  |
|             | 10461068   | 42MT  |
| 91-01-4159N | 10478998   | 42MT  |
| 91-01-4160  | 10461133   | 42MT  |
| 91-01-4161  | 8200433    | 39MT  |
| 91-01-4161N | 8200433    | 39MT  |

| WILSON      |            |       |
|-------------|------------|-------|
| Part No.    | Delco Remy |       |
|             | Part No.   | Model |
| 91-01-4163  | 10461051   | 42MT  |
| 91-01-4165  | 10461058   | 37MT  |
| 91-01-4166  | 10461052   | 42MT  |
|             | 1990352    | 42MT  |
| 91-01-4166N | 1990352    | 42MT  |
| 91-01-4167  | 10461089   | 37MT  |
|             | 1993871    | 37MT  |
|             | 1993874    | 37MT  |
| 91-01-4285  | 10461089   | 37MT  |
|             | 1993871    | 37MT  |
| 91-01-4287  | 1993854    | 37MT  |
| 91-01-4291  | 10461013   | 37MT  |
|             | 1993878    | 37MT  |
| 91-01-4293  | 10461416   | 37MT  |
|             | 1993988    | 37MT  |
| 91-01-4294  | 1993918    | 37MT  |
| 91-01-4295  | 10461055   | 42MT  |
|             | 1990355    | 42MT  |
| 91-01-4295N | 1990355    | 42MT  |
| 91-01-4296  | 10461075   | 42MT  |
|             | 8200308    | 39MT  |
| 91-01-4299  | 10478819   | 37MT  |
|             | 1993917    | 37MT  |
| 91-01-4306  | 10461066   | 37MT  |
| 91-01-4307  | 8200076    | 38MT  |
| 91-01-4309  | 10461445   | 28MT  |
|             | 1113273    | 28MT  |
| 91-01-4310  | 10461450   | 28MT  |
|             | 1113281    | 28MT  |
| 91-01-4311  | 10465295   | 28MT  |
|             | 1113274    | 28MT  |
| 91-01-4312  | 10461446   | 28MT  |
|             | 1113275    | 28MT  |
| 91-01-4313  | 19011400   | 29MT  |
| 91-01-4313n | 19011400   | 29MT  |
| 91-01-4353  | 10461257   | 37MT  |
|             | 10461525   | 37MT  |
| 91-01-4354  | 10465150   | 28MT  |
| 91-01-4356  | 10465151   | 28MT  |
|             | 19011402   | 29MT  |
| 91-01-4359  | 1993903    | 37MT  |
| 91-01-4360  | 10461239   | 41MT  |
| 91-01-4361  | 1113277    | 28MT  |
| 91-01-4363  | 1113288    | 28MT  |

# Competitor Cross Reference

| WILSON      |            |       | WILSON      |            |       |
|-------------|------------|-------|-------------|------------|-------|
| Part No.    | Delco Remy |       | Part No.    | Delco Remy |       |
|             | Part No.   | Model |             | Part No.   | Model |
| 91-01-4364  | 1113290    | 28MT  | 91-01-4759N | 8200308    | 39MT  |
|             | 1113274    | 28MT  | 91-01-4760  | 8200433    | 39MT  |
| 91-01-4365  | 10461486   | 28MT  | 91-01-4760N | 8200433    | 39MT  |
|             | 1113291    | 28MT  | 91-04-7803  | 8200433    | 39MT  |
| 91-01-4367  | 10461443   | 28MT  | 91-04-7803N | 8200433    | 39MT  |
| 91-01-4370  | 10479605   | 28MT  | 91-04-7832  | 8200433    | 39MT  |
| 91-01-4375  | 1113285    | 28MT  | 91-27-3305  | 8200433    | 39MT  |
| 91-01-4378  | 10465239   | 28MT  | 91-27-3305N | 8200433    | 39MT  |
| 91-01-4379  | 1993958    | 37MT  | 91-27-3390  | 8200308    | 39MT  |
| 91-01-4380  | 1993953    | 37MT  | 91-27-3398  | 8200433    | 39MT  |
| 91-01-4381  | 10479617   | 28MT  | 91-27-3424  | 8200434    | 39MT  |
| 91-01-4396  | 10461169   | 37MT  | 91-29-5449  | 10461089   | 37MT  |
|             | 8200433    | 39MT  |             | 1993871    | 37MT  |
| 91-01-4407  | 1990406    | 42MT  | 91-29-5449N | 10461089   | 37MT  |
| 91-01-4409  | 10461110   | 37MT  |             | 1993871    | 37MT  |
|             | 1993947    | 37MT  | 91-29-5534  | 8200308    | 39MT  |
| 91-01-4412  | 1993997    | 37MT  | 91-29-5550  | 8200308    | 39MT  |
| 91-01-4413  | 1993964    | 37MT  | 91-29-5648  | 8200308    | 39MT  |
| 91-01-4418  | 10479616   | 28MT  | 91-29-5691  | 8200434    | 39MT  |
| 91-01-4425  | 10478832   | 42MT  |             |            |       |
| 91-01-4429  | 10461016   | 37MT  |             |            |       |
| 91-01-4436  | 1993933    | 42MT  |             |            |       |
| 91-01-4438  | 10478827   | 50MT  |             |            |       |
| 91-01-4440  | 10461209   | 37MT  |             |            |       |
| 91-01-4455  | 10461170   | 37MT  |             |            |       |
| 91-01-4458  | 10461141   | 42MT  |             |            |       |
| 91-01-4463  | 10478953   | 37MT  |             |            |       |
| 91-01-4466  | 8200433    | 39MT  |             |            |       |
|             | 10478812   | 41MT  |             |            |       |
| 91-01-4466N | 8200433    | 39MT  |             |            |       |
|             | 10478812   | 41MT  |             |            |       |
| 91-01-4483  | 10461417   | 41MT  |             |            |       |
| 91-01-4508  | 10461052   | 42MT  |             |            |       |
|             | 8200308    | 39MT  |             |            |       |
| 91-01-4517  | 10461474   | 28MT  |             |            |       |
| 91-01-4526  | 10461496   | 41MT  |             |            |       |
|             | 10479242   | 41MT  |             |            |       |
| 91-01-4560  | 10461298   | 37MT  |             |            |       |
| 91-01-4561  | 8300019    | 39MT  |             |            |       |
| 91-01-4566  | 10461768   | 38MT  |             |            |       |
| 91-01-4580  | 10461770   | 29MT  |             |            |       |
|             | 19011400   | 29MT  |             |            |       |
| 91-01-4593  | 19011402   | 29MT  |             |            |       |
| 91-01-4631  | 8200308    | 39MT  |             |            |       |
| 91-01-4759  | 8200308    | 39MT  |             |            |       |

See pages 73-76 for Service Note information