



## **RUBBER PARTS CATALOG®.com**

# **TWO PIECE MOUNTS**

---

VIBRATION, SHOCK & MOTION CONTROL

# SOLUTIONS - FOR A WORLD IN MOTION

We offer standardized products to meet most applications. Some control problems, however, require specialized solutions such as a custom-designed mount or a combination of LORD products. Our experts in vibration and noise control can analyze your individual requirements and provide you the most effective and affordable solution ... Ask Us How.

## SURFACE EFFECT MOUNTS



Surface-Effect Mounts combine surface-effect damping principles with traditional rubber-bonded-to-metal technology. The result is a soft mount capable of providing effective damping over large deflections and a wide range of frequencies. As cab and engine mounts in on- and off-highway vehicles, Surface-Effect Mounts meet the most demanding requirements for vibration isolation and noise attenuation while controlling motion.

**Compression Load Range:** 3,115 - 6,987 N (700 - 1,570 lbs)

## CONICAL MOUNTS



LORD Conical Mounts provide effective vibration isolation and noise attenuation with a simple, robust mount design. Consistent performance, high load bearing capabilities and a choice of radial stiffness characteristics are key features of these mounts. For more demanding vibration and noise reduction requirements, LORD integrates Conical Mounts with surface-effect technology to form an advanced control solution known as Surface-Effect Systems.

**Compression Load Range:** 801 - 11,392 N (180 - 2,560 lbs)

## SANDWICH MOUNTS - FLEX-BOLT™



Efficient power transmission and driveline component durability are among powertrains designers' most important concerns. Increased durability and up-time are two characteristics demanded by purchasers of today's complex and expensive machinery. These demands can only be met with reliable, trouble-free, smooth-running powertrains free from damaging loads that compromise component life.

**Compression Load Range:** 27 - 59,808 N (6 - 13,440 lbs)

**Shear Load Range:** 4.45 - 7,476 N (1 - 1,680 lbs)

## CENTER-BONDED MOUNTS



LORD Center-Bonded Mounts isolate vibration, control shock and reduce noise due to structure borne vibrations. Available in a full range of rated load capacities and able to withstand shock loads of 10 g's, these mounts effectively protect equipment and improve operator comfort. They are ideal for automotive, marine, railroad and industrial markets.

**Compression Load Range:** 334 - 9,345 N (75 - 2,100 lbs)

## TWO-PIECE MOUNTS



LORD Two-Piece Mounts are designed for applications involving severe dynamic forces in the static load direction, as well as the rebound direction. Travel is limited in both directions by rubber in compression that provides snubbing.

**Compression Load Range:** 178 - 15,352 N (40 - 3,450 lbs)

## BINOCULAR/SPLIT MOUNTS



LORD Binocular/Split Mounts are designed for applications involving severe dynamic forces in the static load direction, as well as the rebound direction. Travel is limited in both directions by rubber in compression that provides snubbing.

**Compression Load Range:** 4,450 - 6,675 N (1,000 - 1,500 lbs)

## PLATFORM MOUNTS



LORD Platform Mounts provide effective isolation against vibration. The contour of the flexing element was developed to provide uniform stress distribution. This, plus high strength bonding and the use of specially compounded elastomers, provides maximum service life.

**Compression Load Range:** 2 N - 2,225 N (0.5 - 500 lbs)

## GROMMET ISOLATORS



LORD Grommet Isolators provide effective, economical vibration isolation for light loads. They are suitable for commercial and military applications including computers, disk drives, business machines, precision instrumentation and general industrial equipment.

**Compression Load Range:** 4 - 27 N (1 - 6 lbs)

## MACHINERY MOUNTS



LORD Machinery Mounts are designed to support heavy equipment and isolate intermittent or continuous vibration. The result is greater machine accuracy, longer service life, smoother operation and reduced maintenance. These mounts are available in four types to suit different needs.

**Compression Load Range:** 223 - 33,375 N (50 - 7,500 lbs)

## BUSHINGS



LORD Center-Bonded Bushings and Square-Bonded Bushings are used in applications where the absorption shock, attenuation of noise, reduction of wear and elimination of lubrication is required.

**Compression Load Range:** 890 - 41,385 N (200 - 9,300 lbs)



# TWO PIECE MOUNTS

## VIBRATION, SHOCK & MOTION CONTROL



“...designed for applications involving severe dynamic forces in both the static load direction and the rebound direction....”

### Two-Piece Mounts

**Featuring:** CBB and CBC Series  
SSB Series  
CB-2200 Series

LORD Two-Piece Mounts are designed for applications involving severe dynamic forces in the static load direction, as well as the rebound direction. Travel is limited in both directions by rubber in compression which provides snubbing.

These mounts are designed to support engines, cabs and accessory units, and accommodate frame racking and twisting while isolating vibration and absorbing shock.

Typical applications for Two-Piece Mounts include on-highway, off-highway vehicles, construction and industrial machines.

## TWO PIECE MOUNTS

**LORD** VIBRATION, SHOCK & MOTION CONTROL  
Ask Us How™

**DELTAFLX.com**

RUBBERPARTSCATALOG.COM

**Need pricing or current inventory?**

**CALL US @ 800.657.0747**  
Ask for **Quoting**

## ENGINEERING ASSISTANCE

Frequently vibration isolation problems require a system engineering analysis. DeltaFlex has the computer capability, as well as specialized programs, for analyzing engine/transmission combinations. The output from these analyses is a mounting proposal which optimizes performance over the complete range of operating speeds. This service is available to you upon request. If you require this type of engineering assistance please call 800.657.0747 we will be glad to assist you.

## Features and Benefits

- Dynamically effective in all directions
- Prevent mechanical transmission of noise
- Accommodate misalignment and distortion
- High rebound capacity
- Easy to install with common tools
- Standard bolt torque assures proper assembly
- Top and bottom parts alike, cannot be misassembled
- Fail-safe assembly
- Sized for English and Metric bolts
- Long dependable service life
- Economical

Offering thousands of **standard** industrial rubber products and **innovative** “low” and “high” tech **custom** elastomeric products.

**DELTAFLX.com**

Phone **262.632.2345**

Fax **262.632.0271**

sales@**deltaflex.com**

DeltaFlex, RubberPartsCatalog, df Logo and its combinations are Registered Trade Marks of Delta Flexible Products, Inc. LORD and “Ask Us How” are Registered Trade Marks of LORD Corporation or one of its subsidiaries. Copyright © 2012 Delta Flexible Products, Inc. All Right Reserved

A part's listing in this catalog does not guarantee its availability.

# TWO PIECE MOUNTS



## CBB & CBC SERIES

**LORD**  
AskUsHow™

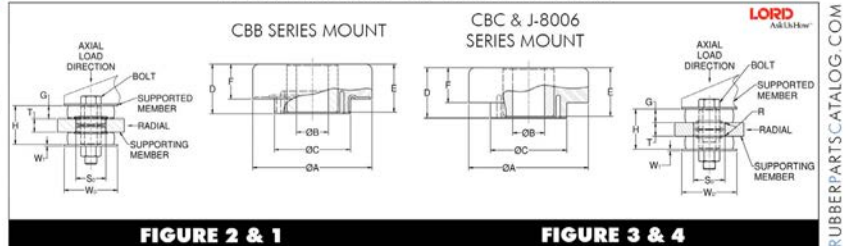


TECHNICAL DRAWING  
DELTA FLEX.com

PART DIMENSIONS

TWO-PIECE MOUNTS - CBB - CBC & J-8006 SERIES

PICTURE FOR REFERENCE ONLY



**CBB & CBC / J-8006 SERIES**  
LORD VIBRATION, SHOCK & MOTION CONTROL DELTA FLEX.com

**Table 1 – Specifications and Dimensions**

Part Number	See Figure	Maximum Axial Static Load Rating at Deflection ①		Part Dimensions															
				lb at in		N at mm		A		B		C		D Ref.		E		F	
				in	mm	in	mm	in	mm	in	mm	in	mm	in	mm	in	mm		
CBB35-2-7	1 & 2	440 at 0.05	1960 at 1.27	3.50	88.9	0.938	23.8	2.24	56.9	1.48	37.6	1.44	36.6	1.04	26.4				
CBB35-2-9	1 & 2	940 at 0.05	4180 at 1.27	3.50	88.9	0.938	23.8	2.25	57.2	1.48	37.6	1.44	36.6	1.04	26.4				
CBC35-2-7	3 & 4	500 at 0.05	2225 at 1.27	3.50	88.9	0.938	23.8	2.23	56.6	1.60	40.6	1.44	36.6	1.04	26.4				
CBC35-2-9	3 & 4	875 at 0.05	3890 at 1.27	3.50	88.9	0.938	23.3	2.23	56.6	1.60	40.6	1.44	36.6	1.04	26.4				
CBB45-2-7	1 & 2	1000 at 0.06	4448 at 1.59	4.50	114.3	1.06	27.1	2.48	63.0	1.76	44.7	1.69	42.9	1.32	33.5				
CBB45-2-9	1 & 2	1565 at 0.06	6960 at 1.59	4.50	114.3	1.06	27.1	2.48	63.0	1.76	44.7	1.69	42.9	1.32	33.5				
CBC45-2-7	3 & 4	1030 at 0.06	4585 at 1.59	4.50	114.3	1.06	27.1	2.48	63.0	1.94	49.3	1.69	42.9	1.32	33.5				
CBC45-2-9	3 & 4	1565 at 0.06	6950 at 1.59	4.50	114.3	1.06	27.1	2.48	63.0	1.94	49.3	1.69	42.9	1.32	33.5				
J-8006-10	3 & 4	440 at 0.04	1960 at 0.95	2.50	63.5	0.64	16.3	1.63	41.3	0.81	20.6	0.56	14.2	0.62	15.7				
J-8006-66	3 & 4	565 at 0.04	2515 at 0.95	2.50	63.5	0.64	16.3	1.50	38.1	1.19	30.2	0.94	23.9	0.62	15.7				

All metal parts are made of low carbon steel.  
Mounts and washers only supplied by LORD.

① These loads are for on-highway and general industrial applications. For off-highway, use 90% of the load shown.

**Table 2 – Specifications and Dimensions**

Part Number	Part Dimensions ②										Recommended Bolt Information*			
	G		H		S <sub>D</sub> ±0.015		R		T		Size		Grade or Class	
	in	mm	in	mm	in	mm	in	mm	in	mm	English	Metric	SAE J429	SAE J1199
CBB35-2-7	0.94	23.9	2.88	73.2	2.26	57.5	—	—	1.00	25.4	7/8	M20	8	10.9
CBB35-2-9	0.94	23.9	2.88	73.2	2.26	57.5	—	—	1.00	25.4	7/8	M20	8	10.9
CBC35-2-7	0.94	23.9	2.88	73.2	2.26	57.5	0.12	3.1	1.00	25.4	7/8	M20	8	10.9
CBC35-2-9	0.94	23.9	2.88	73.2	2.26	57.5	0.12	3.1	1.00	25.4	7/8	M20	8	10.9
CBB45-2-7	1.19	30.2	3.38	85.8	2.53	64.3	—	—	1.00	25.4	1	M24	8	10.9
CBB45-2-9	1.19	30.2	3.38	85.8	2.53	64.3	—	—	1.00	25.4	1	M24	8	10.9
CBC45-2-7	1.19	30.2	3.38	85.8	2.53	64.3	0.12	3.1	1.00	25.4	1	M24	8	10.9
CBC45-2-9	1.19	30.2	3.38	85.8	2.53	64.3	0.12	3.1	1.00	25.4	1	M24	8	10.9
J-8006-10	0.47	11.9	1.12	28.5	1.65	41.9	0.03	0.76	0.18	4.6	5/8	M16	2	9.8
J-8006-66	0.50	12.7	1.88	47.8	1.53	38.9	0.06	1.5	0.88	22.4	5/8	M16	8	10.9

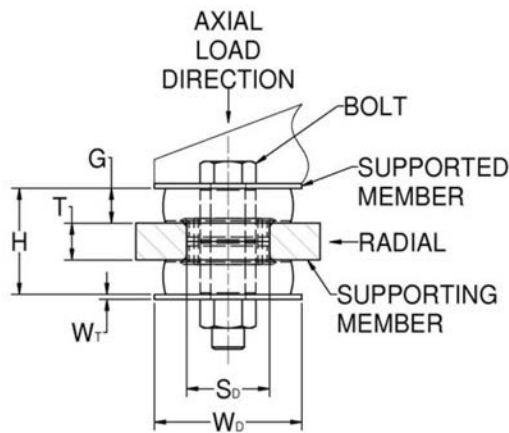
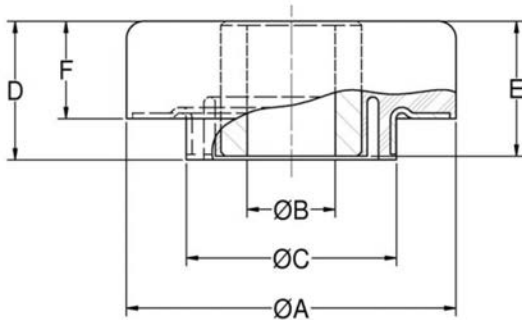
② Installed dimensions are under no load.

\* For tightening torque information, refer to Tightening Torque Charts section.

Offering thousands of standard industrial rubber products and innovative "low" and "high" tech custom elastomeric products.

TECHNICAL  
**DRAWING**  
DELTAFLX.com

PICTURE FOR REFERENCE ONLY



TWO PIECE MOUNT - CBB SERIES

**FIGURE 1 & 2**

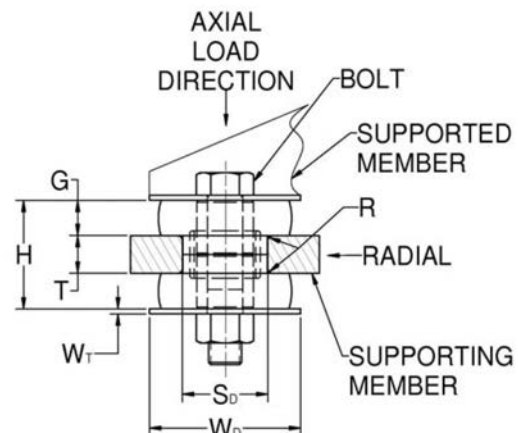
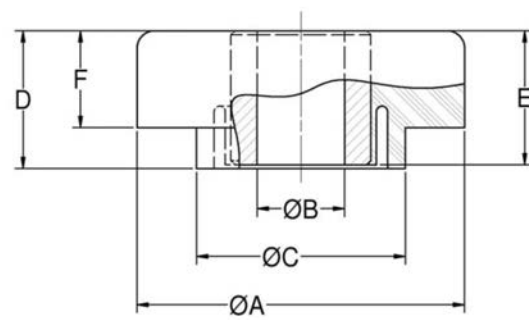
**LORD**  
AskUsHow™

VIBRATION, SHOCK  
& MOTION CONTROL

**DELTAFLX.com**

TECHNICAL  
**DRAWING**  
DELTAFLX.com

PICTURE FOR REFERENCE ONLY



TWO PIECE MOUNT - CBC SERIES

**FIGURE 3 & 4**

**LORD**  
AskUsHow™

VIBRATION, SHOCK  
& MOTION CONTROL

**DELTAFLX.com**

**Table 3 – Washer Part Numbers and Dimensions**

Part Number	Washer Part Number	W <sub>D</sub>		W <sub>T</sub>		I.D.	
		in	mm	in	mm	in	mm
CBB35-2-7	J-2049-72	4.00	101.6	0.134	3.4	0.95	24.1
CBB35-2-9	J-2049-72	4.00	101.6	0.134	3.4	0.95	24.1
CBC35-2-7	J-2049-72	4.00	101.6	0.134	3.4	0.95	24.1
CBC35-2-9	J-2049-72	4.00	101.6	0.134	3.4	0.95	24.1
CBB45-2-7	J-2049-73	5.00	127.0	0.134	3.4	1.07	27.2
CBB45-2-9	J-2049-73	5.00	127.0	0.134	3.4	1.07	27.2
CBC45-2-7	J-2049-73	5.00	127.0	0.134	3.4	1.07	27.2
CBC45-2-9	J-2049-73	5.00	127.0	0.134	3.4	1.07	27.2
J-8006-10	J-2049-68	2.88	73.2	0.125	3.2	0.66	16.8
J-8006-66	J-2049-68	2.88	73.2	0.125	3.2	0.66	16.8

Need pricing or current inventory?

**CALL US @ 800.657.0747**  
Ask for **Quoting**

Offering thousands of **standard** industrial rubber products and **innovative** "low" and "high" tech **custom** elastomeric products.

# TWO PIECE MOUNTS



## SSB SERIES

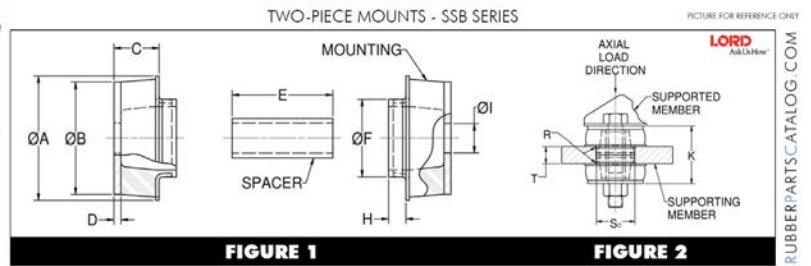
**LORD**  
AskUsHow™



**SSB SERIES MOUNTS (KITS)**  
LORD VIBRATION, SHOCK & MOTION CONTROL DELTAFLEX.com

TECHNICAL DRAWING  
DELTAFLEX.com

PART DIMENSIONS



**Table 1 – Specifications and Dimensions**

Part Number			Maximum Axial Static Load Rating at Deflection ①		Axial Spring Rate		Radial Spring Rate	
Kit	Mounting P/N	Spacer P/N	lb at in	N at mm	lb/in	N/mm	lb/in	N/mm
SSB20-1000-2	J-7401-27	Y-30100-7-1	185 at 0.035	825 at 0.90	4970	890	560	97
SSB20-1000-4	J-7401-29	Y-30100-7-1	300 at 0.040	1335 at 1.02	8120	1430	910	160
SSB26-1000-1	J-3049-67	Y-30100-7-1	400 at 0.035	1780 at 0.90	11,000	1930	1370	240
SSB26-1000-5	J-3049-70	Y-30100-7-1	685 at 0.040	3050 at 1.02	17,900	3215	2230	392
SSB33-1000-2	SSB33-1001-2	Y-32190-1-1	625 at 0.045	2780 at 1.15	15,200	2650	2220	385
SSB33-1000-4	SSB33-1001-4	Y-32190-1-1	1125 at 0.03	5005 at 0.76	37,500	6566	3890	675

① These loads are for on-highway and general industrial applications. For off-highway, use 80% of the load shown.

**Table 2 – Specifications and Dimensions**

Part Number			Part Dimensions															
			A		B		C		D		E		F		H		I	
Kit	Mounting P/N	Spacer P/N	in	mm	in	mm	in	mm	in	mm	in	mm	in	mm	in	mm	in	mm
SSB20-1000-2	J-7401-27	Y-30100-7-1	2.22	56.4	2.00	50.8	0.81	20.6	0.125	3.2	1.81	46.0	1.38	35.0	0.31	7.9	0.510	12.9
SSB20-1000-4	J-7401-29	Y-30100-7-1	2.22	56.4	2.00	50.8	0.81	20.6	0.125	3.2	1.81	46.0	1.38	35.0	0.31	7.9	0.510	12.9
SSB26-1000-1	J-3049-67	Y-30100-7-1	2.62	66.5	—	—	0.81	20.6	0.125	3.2	1.81	46.0	1.38	35.0	0.31	7.9	0.510	12.9
SSB26-1000-5	J-3049-70	Y-30100-7-1	2.62	66.5	—	—	0.81	20.6	0.125	3.2	1.81	46.0	1.38	35.0	0.31	7.9	0.510	12.9
SSB33-1000-2	SSB33-1001-2	Y-32190-1-1	3.24	82.3	3.21	81.5	0.81	20.6	0.125	3.2	1.81	46.0	1.84	46.7	0.29	7.4	0.765	19.4
SSB33-1000-4	SSB33-1001-4	Y-32190-1-1	3.24	82.3	3.21	81.5	0.81	20.6	0.125	3.2	1.81	46.0	1.84	46.7	0.29	7.4	0.765	19.4

**Table 3 – Specifications and Dimensions**

Part Number			Installation Dimensions							
			K		S <sub>D</sub> ±0.015		R		T	
Kit	Mounting P/N	Spacer P/N	in	mm	in	mm	in by degree	mm by degree	in	mm
SSB20-1000-2	J-7401-27	Y-30100-7-1	2.06	52.3	1.40	35.6	0.07 by 45	1.8 by 45	0.625	15.9
SSB20-1000-4	J-7401-29	Y-30100-7-1	2.06	52.3	1.40	35.6	0.07 by 45	1.8 by 45	0.625	15.9
SSB26-1000-1	J-3049-67	Y-30100-7-1	2.06	52.3	1.40	35.6	0.07 by 45	1.8 by 45	0.625	15.9
SSB26-1000-5	J-3049-70	Y-30100-7-1	2.06	52.3	1.40	35.6	0.07 by 45	1.8 by 45	0.625	15.9
SSB33-1000-2	SSB33-1001-2	Y-32190-1-1	2.06	52.3	1.87	47.6	—	—	0.625	15.9
SSB33-1000-4	SSB33-1001-4	Y-32190-1-1	2.06	52.3	1.87	47.6	—	—	0.625	15.9

All metal parts are made of low carbon steel.

For applications in severe oil environments, contact LORD. Based on extensive experience, Two-Piece Mounts have been designed to operate in normal fluid, temperature and other environmental conditions such as found in the engine compartment of on- and off-highway applications.

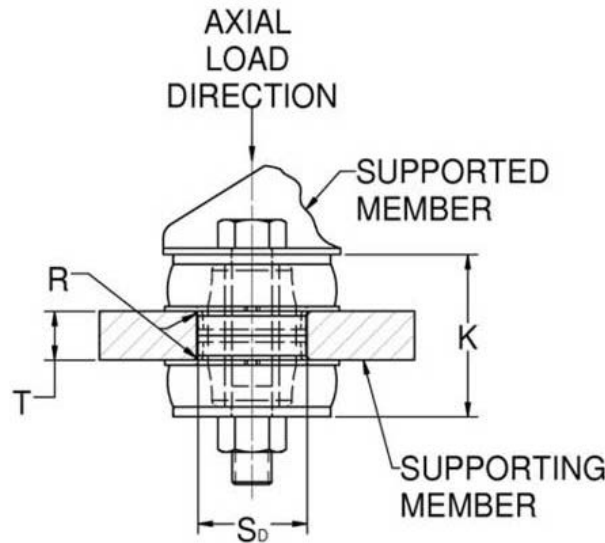
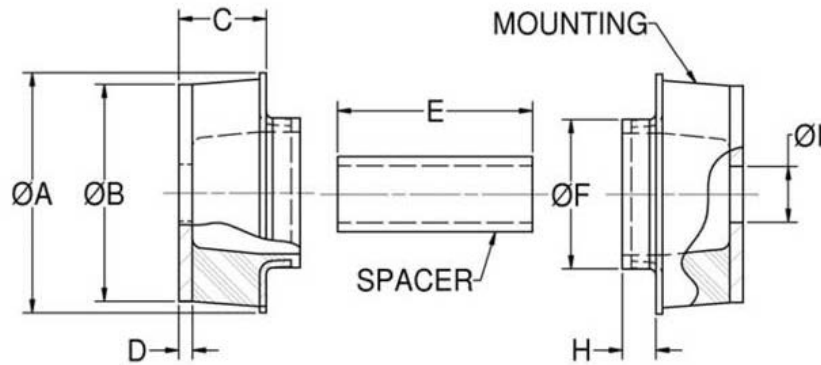
**Tolerances:** 0.xx = ± 0.03 in (± 0.762 mm)  
0.xxx = ± 0.01 in (± 0.254 mm)  
Angles ± 2°

Offering thousands of **standard** industrial rubber products and **innovative "low" and "high" tech custom** elastomeric products.

TWO PIECE MOUNTS

TECHNICAL  
**DRAWING**  
DELTA FLEX.com

PICTURE FOR REFERENCE ONLY



TWO PIECE MOUNT - SSB SERIES

RUBBERPARTSCATALOG.COM

TWO PIECE MOUNTS

### FIGURE 1 & 2

Table 4 – Specifications and Dimensions

Part Number			Recommended Bolt Information*			
			Size		Grade or Class	
Kit	Mounting P/N	Spacer P/N	English	Metric	SAE J429	SAE J1199
SSB20-1000-2	J-7401-27	Y-30100-7-1	1/2	M12	2	5.8
SSB20-1000-4	J-7401-29	Y-30100-7-1	1/2	M12	2	5.8
SSB26-1000-1	J-3049-67	Y-30100-7-1	1/2	M12	2	5.8
SSB26-1000-5	J-3049-70	Y-30100-7-1	1/2	M12	2	5.8
SSB33-1000-2	SSB33-1001-2	Y-32190-1-1	3/4	M18	8	10.9
SSB33-1000-4	SSB33-1001-4	Y-32190-1-1	3/4	M18	8	10.9

\* For tightening torque information, refer to Tightening Torque Charts section.

Offering thousands of **standard** industrial rubber products and **innovative** "low" and "high" tech **custom** elastomeric products.

# TWO PIECE MOUNTS



## CB-2200 SERIES



CB-2200 SERIES  
LORD MOTOR, DIECAST, & MOTOR CONTROL DELTAFLEX.com

**LORD**  
AskUsHow™

Table 1 – Specifications and Dimensions

Part Number ①	Elastomer ②	Color Code ③	Part Number ①	Elastomer ②	Color Code ③	Maximum Axial Load at Deflection Based on Plate Thickness							
						T - Thick Support Plate (Recommended)				T - Thin Support Plate (Optional)			
						Thickness - T		Load/Deflection ④		Thickness - T		Load/Deflection ④	
						in	mm	lb at in	N at mm	in	mm	lb at in	N at mm
CB-2201-1	NR	R	CB-2201-11	OR	R & W	0.375	9.5	40 at 0.05	178 at 1.3	0.375	9.5	40 at 0.05	178 at 1.3
CB-2201-2	NR	Y	CB-2201-12	OR	Y & W	0.375	9.5	90 at 0.05	400 at 1.3	0.375	9.5	90 at 0.05	400 at 1.3
CB-2201-3	NR	G	CB-2201-13	OR	G & W	0.375	9.5	140 at 0.05	623 at 1.3	0.375	9.5	140 at 0.05	623 at 1.3
CB-2201-4	NR	B	CB-2201-14	OR	B & W	0.375	9.5	250 at 0.05	1112 at 1.3	0.375	9.5	250 at 0.05	1112 at 1.3
—	—	—	CB-2201-15	OR	P & W	0.375	9.5	300 at 0.05	1334 at 1.3	0.375	9.5	300 at 0.05	1334 at 1.3
CB-2202-1	NR	R	CB-2202-11	OR	R & W	0.563	14.3	130 at 0.07	578 at 1.8	0.500	12.7	60 at 0.05	267 at 1.3
CB-2202-2	NR	Y	CB-2202-12	OR	Y & W	0.563	14.3	175 at 0.07	778 at 1.8	0.500	12.7	120 at 0.05	534 at 1.3
CB-2202-3	NR	G	CB-2202-13	OR	G & W	0.563	14.3	240 at 0.07	1068 at 1.8	0.500	12.7	160 at 0.05	712 at 1.3
CB-2202-4	NR	B	CB-2202-14	OR	B & W	0.563	14.3	380 at 0.07	1690 at 1.8	0.500	12.7	260 at 0.05	1157 at 1.3
CB-2202-5	NR	P	CB-2202-15	OR	P & W	0.563	14.3	630 at 0.07	2802 at 1.8	0.500	12.7	380 at 0.05	1690 at 1.3
CB-2203-1	NR	R	—	—	—	0.875	22.2	175 at 0.085	780 at 2.2	0.750	19.1	100 at 0.05	440 at 1.3
—	—	—	CB-2203-12	OR	Y & W	0.875	22.2	300 at 0.085	1330 at 2.2	0.750	19.1	150 at 0.05	670 at 1.3
CB-2203-3	NR	G	CB-2203-13	OR	G & W	0.875	22.2	400 at 0.085	1780 at 2.2	0.750	19.1	225 at 0.05	1000 at 1.3
CB-2203-4	NR	B	CB-2203-14	OR	B & W	0.875	22.2	500 at 0.085	2220 at 2.2	0.750	19.1	325 at 0.05	1450 at 1.3
CB-2203-5	NR	P	CB-2203-15	OR	P & W	0.875	22.2	725 at 0.085	3220 at 2.2	0.750	19.1	450 at 0.05	2000 at 1.3
CB-2204-1	NR	R	CB-2204-11	OR	R & W	1.125	28.6	400 at 0.09	1780 at 2.3	1.000	25.4	200 at 0.05	890 at 1.3
CB-2204-2	NR	Y	CB-2204-12	OR	Y & W	1.125	28.6	550 at 0.09	2450 at 2.3	1.000	25.4	300 at 0.05	1330 at 1.3
CB-2204-3	NR	G	CB-2204-13	OR	G & W	1.125	28.6	700 at 0.09	3110 at 2.3	1.000	25.4	400 at 0.05	1780 at 1.3
CB-2204-4	NR	B	CB-2204-14	OR	B & W	1.125	28.6	850 at 0.09	3780 at 2.3	1.000	25.4	500 at 0.05	2220 at 1.3
CB-2204-5	NR	P	CB-2204-15	OR	P & W	1.125	28.6	1000 at 0.09	4450 at 2.3	1.000	25.4	600 at 0.05	2670 at 1.3
CB-2205-1	NR	R	CB-2205-11	OR	R & W	1.250	31.8	900 at 0.09	4000 at 2.3	1.000	25.4	300 at 0.05	1334 at 1.3
CB-2205-2	NR	Y	CB-2205-12	OR	Y & W	1.250	31.8	1200 at 0.09	5340 at 2.3	1.000	25.4	500 at 0.05	2224 at 1.3
CB-2205-3	NR	G	—	—	—	1.250	31.8	1500 at 0.09	6670 at 2.3	1.000	25.4	700 at 0.05	3114 at 1.3
CB-2205-4	NR	B	CB-2205-14	OR	B & W	1.250	31.8	1800 at 0.09	8010 at 2.3	1.000	25.4	900 at 0.05	4003 at 1.3
CB-2205-5	NR	P	CB-2205-15	OR	P & W	1.250	31.8	2100 at 0.09	9340 at 2.3	1.000	25.4	1100 at 0.05	5338 at 1.3
CB-2205-7	NR	Y & Y	—	OR	Y & Y & W	1.250	31.8	1600 at 0.09	7117 at 2.3	1.000	25.4	775 at 0.05	3447 at 1.3
—	—	—	CB-2205-18	OR	G & G & W	1.250	31.8	2200 at 0.09	9786 at 2.3	1.000	25.4	1000 at 0.05	4448 at 1.3
CB-2205-9	NR	B & B	CB-2205-19	OR	B & B & W	1.250	31.8	2825 at 0.09	12566 at 2.3	1.000	25.4	1425 at 0.05	6339 at 1.3
CB-2205-10	NR	P & P	CB-2205-20	OR	P & P & W	1.250	31.8	3450 at 0.09	15346 at 2.3	1.000	25.4	1800 at 0.05	8007 at 1.3

Mounts only supplied by LORD.

① One P/N contains one top and one bottom mount only.

② NR = Natural Rubber  
OR = Oil-Resistant Elastomer - Neoprene

③ Color Codes: R = Red Y = Yellow  
G = Green B = Blue  
P = Purple W = White

④ These loads are for on-highway and general industrial applications. For off-highway, use 90% of the load shown.

**Caution:** When using the maximum bolt torque listed a hardened (R<sub>B</sub>95) rebound washer and support member should be used. A hardened washer may be placed under the supported member when the supported member is not hardened.

TWO PIECE MOUNTS

Table 2 – Specifications

Series Number	Recommended Bolt Information*			
	Size		Grade or Class	
	English	Metric	SAE J429	SAE J1199
CB-2201	3/8	M10	5	5.8
CB-2202	1/2	M12	8	10.9
CB-2203	5/8	M16	8	10.9
CB-2204	7/8	M20	8	10.9
CB-2205	1.0	M24	8	10.9

\* For tightening torque information, refer to Tightening Torque Charts section.

Table 3 – Washer Specifications

Series Number	Washer Part Number	O.D.		I.D.		Thickness	
		in	mm	in	mm	in	mm
CB-2201	J-2049-89	1.56	39.6	0.391	9.9	0.09	2.3
CB-2202	J-2049-90	2.13	54.1	0.530	13.5	0.134	3.4
CB-2203	J-2049-91	2.81	71.4	0.657	16.7	0.188	4.8
CB-2204	J-2049-92	3.88	98.6	0.938	23.8	0.250	6.4
CB-2205	J-2049-93	5.25	133.4	1.063	27.0	0.375	9.5

Material is SAE 1008-1015 steel zinc plated and chromate treated.

Offering thousands of **standard** industrial rubber products and **innovative “low”** and **“high”** tech **custom** elastomeric products.



**OIL RESISTANT**

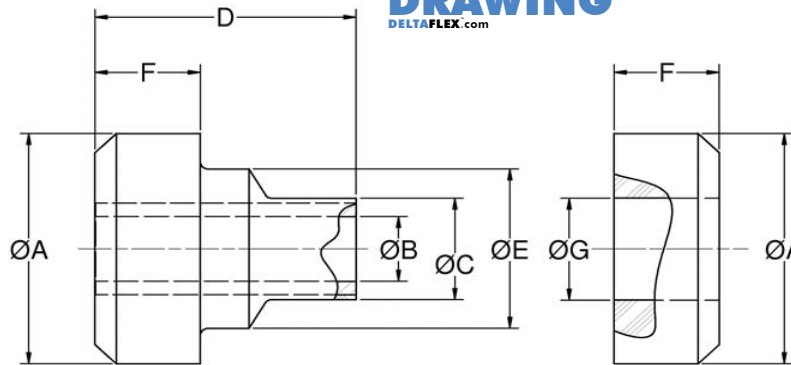


**CB-2200 SERIES**

LORD VIBRATION, SHOCK & MOTION CONTROL DELTAFLEX.com

**Figure 1 – Part Dimensions**

TECHNICAL DRAWING  
DELTAFLX.com



**CB-2200 SERIES**

LORD VIBRATION, SHOCK & MOTION CONTROL DELTAFLEX.com

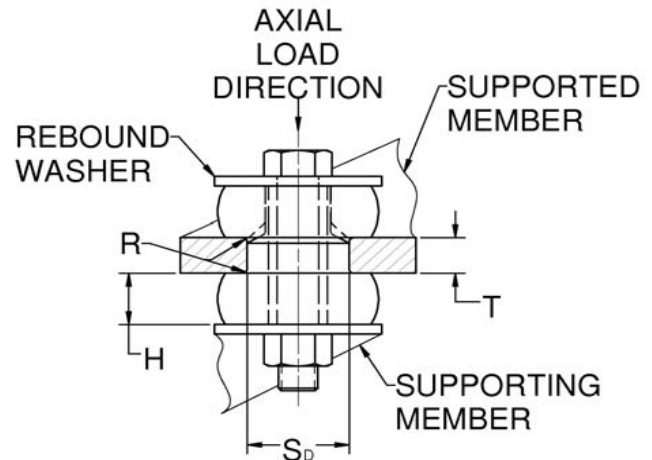
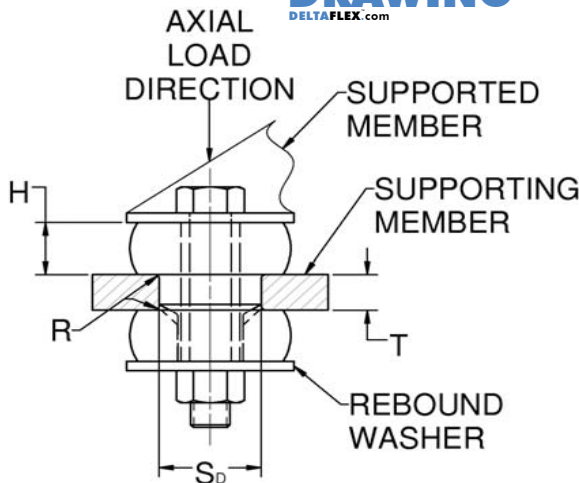
**Table 4 – Specifications and Dimensions**

Series Number	Part Dimensions												H Reference				Installation Dimensions					
	A		B		C Ref.		D		E		F		G		Thick Support Plate		Thin Support Plate		S <sub>D</sub>		R Ref.	
	in	mm	in	mm	in	mm	in	mm	in	mm	in	mm	in	mm	in	mm	in	mm	in	mm	in	mm
CB-2201	1.34/ 1.28	33.3	0.407/ 0.396	10.2	0.58	14.7	1.28/ 1.22	31.8	0.82/ 0.76	20.1	0.515/ 0.455	12.3	0.62/ 0.58	15.2	0.44	11.2	0.44	11.2	0.77/ 0.73	19.1	0.04	1.0
CB-2202	1.91/ 1.85	47.8	0.547/ 0.517	13.5	0.83	21.1	1.97/ 1.91	49.3	1.33/ 1.27	33.0	0.81/ 0.75	19.8	0.845/ 0.825	21.2	0.69	17.5	0.72	18.3	1.27/ 1.23	31.8	0.06	1.5
CB-2203	2.58/ 2.52	64.8	0.672/ 0.642	16.7	0.97	24.6	2.46/ 2.40	61.7	1.61/ 1.55	40.1	0.93/ 0.87	22.9	0.99/ 0.95	24.8	0.78	19.8	0.84	21.3	1.52/ 1.48	38.1	0.09	2.3
CB-2204	3.49/ 3.43	87.9	0.958/ 0.938	24.1	1.45	36.8	2.91/ 2.85	73.0	2.33/ 2.27	58.4	1.03/ 0.97	25.4	1.50/ 1.46	37.6	0.88	22.4	0.94	23.9	2.27/ 2.23	57.2	0.12	3.0
CB-2205	4.94/ 4.82	124.0	1.078/ 1.048	27.0	1.50	38.1	3.41/ 3.35	85.9	2.58/ 2.52	64.8	1.28/ 1.22	31.8	1.52/ 1.46	37.8	1.06	26.9	1.19	30.2	2.52/ 2.48	63.5	0.12	3.0

**Need pricing or current inventory? CALL US @ 800.657.0747 Ask for Quoting**

**Figure 2 – Installation View**  
(Shown Under No Load)

TECHNICAL DRAWING  
DELTAFLX.com



Offering thousands of **standard** industrial rubber products and **innovative** "low" and "high" tech **custom** elastomeric products.





# VIBRATION, SHOCK & MOTION CONTROL

---

## RUBBER PARTS CATALOG<sup>®</sup>.com

Manufacturing

Distribution

Vibration Mounts

Grommets

Bumpers

Gaskets

Bushings

Stock & Custom Parts

Molded & Extruded

Military Grommets

End Caps

Adhesive Backed Bumpers

Lab Stoppers

Tips & Caps

Cord Stock

Suction Cups

Rubber Washer

O-Rings

Sheet, Sponge & Matting

Custom Fabrication

Blanket Service

Inventory Management & Releases

**DELTA**FLEX<sup>™</sup>.com



**Headquarters**  
1515 16th Street  
Racine, WI 53403

**Phone** 262.632.2345  
**Customer Service** 800.657.0747  
**Fax** 262.632.0271

A parts listing in this catalog does not guarantee its availability. To download the most current version to go to [RubberPartsCatalog.com](http://RubberPartsCatalog.com)

Values stated herein represent typical values as not all tests are run on each lot of material produced. For formalized product specifications or specific products end uses, contact [Engineering @ 800.657.0747](mailto:Engineering@800.657.0747).

Information provided herein is based upon tests believed to be reliable. In as much as DELTAFLEX and/or LORD Corporation has no control over the manner in which others may use this information, it does not guarantee the results to be obtained. In addition, DELTAFLEX and/or LORD Corporation does not guarantee the performance of the product or the results obtained from the use of the product or this information where the product has been repacked by any third party, including but not limited to any product end-user. Nor does the company make any express or implied warranty of merchantability or fitness for a particular purpose concerning the effects or results of such use.

Flex-Bolt and "Ask Us How" are trademarks of LORD corporation or one of its subsidiaries  
DeltaFlex, the df triangle, RubberPartsCatalog and its logos are registered trademarks of Delta Flexible Products, Inc.