

# Deluxe Canister Steam System

## Sistema A Vapor Con Depósito De Lujo

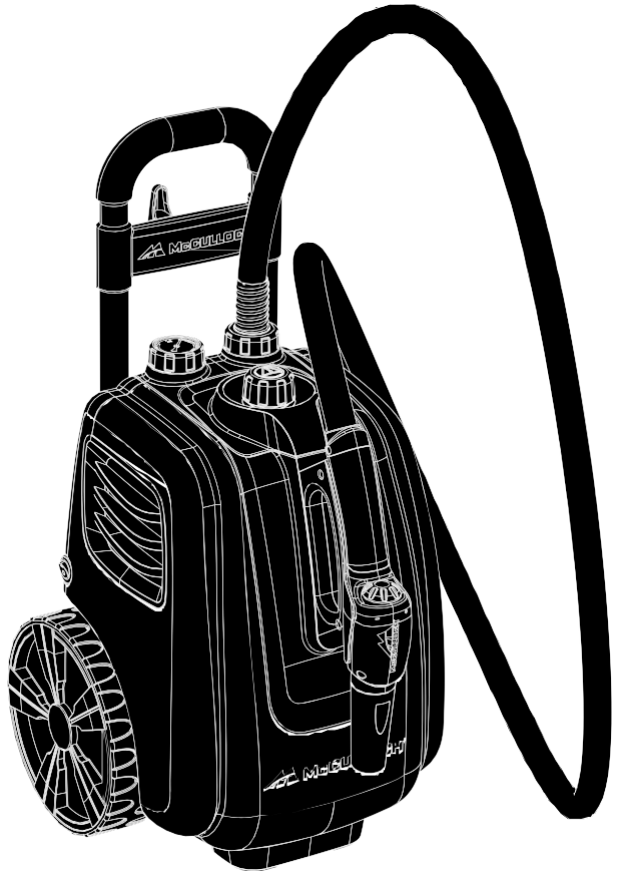
## Nettoyeur-Chariot À Vapeur De Luxe

### Owner's Guide

### Guía del Usuario

### Mode D'emploi

English p. 2  
Español p. 22  
Français p. 42



#### **KEEP YOUR RECEIPT FOR WARRANTY PURPOSES**

Please read all instructions before use.

#### **GUARDE SU RECIBO A EFECTOS DE LA GARANTÍA**

Lea todas las instrucciones antes de usarlo.

#### **GARDEZ VOTRE REÇU AUX FINS DE LA GARANTIE**

Veillez lire toutes les instructions avant l'utilisation.

# IMPORTANT SAFETY INSTRUCTIONS



**WARNING:** To reduce the risk of fire, electrical shock, or injury, the following basic safety precautions should always be followed when using an electrical appliance.

## READ ALL INSTRUCTIONS BEFORE USE

1. The Deluxe Canister Steam System Boiler is designed to hold a maximum of 64 oz. (1,892 ml.) of water. Unplug electrical cord before filling with water.
2. DO NOT leave your Deluxe Canister Steam System unattended when plugged in or not in use. Use only for its intended purpose as indicated in this manual.
3. This unit is not a toy. Close supervision is required when using unit near children, pets, and plants. Steam produced by unit is hot and pressurized. Care must be taken to avoid burns or other injuries. Never point nozzle at people or pets.
4. To reduce the risk of contact with hot water emitting from steam vents, hold appliance away from body and check for signs of condensation or leakage.
5. DO NOT use this unit if electrical cord or outlet is damaged. DO NOT use unit if it is not working properly or has been dropped, damaged or left outdoors. If such damage occurs, DO NOT disassemble or attempt repairs, take unit to a qualified service person for examination and repair. Incorrect reassembly or repair could cause a risk of fire, electrical shock, or injury to persons when steam cleaner is used.
6. To reduce risk of electrical shock, DO NOT immerse in water or other liquids. DO NOT use electrical cord as a handle. DO NOT allow cord to be crimped by closing it in doors. DO NOT pull or stretch cord around sharp corners or edges.
7. Do not allow cord to touch hot surfaces. Let appliance cool completely before putting away. Loop cord loosely around appliance when storing.
8. DO NOT use this unit with extension cords or electrical outlets that have inadequate current capacity. A three-prong outlet or a properly grounded adapter is necessary when using Deluxe Canister Steam System.
9. In order to unplug Deluxe Canister Steam System, grasp plug and pull smoothly and firmly from outlet. DO NOT attempt to unplug unit by pulling or tugging on cord.
10. Use caution, as burns could occur from touching hot metal parts, hot water or steam.

# IMPORTANT SAFETY INSTRUCTIONS



**WARNING:** To reduce the risk of electrical shock, this appliance has a three-pronged plug. This plug will fit in a polarized wall outlet only one way. If the plug does not fit fully in the outlet, contact a licensed electrician to install a proper outlet. DO NOT attempt to modify the plug or defeat this safety feature.

11. The Deluxe Canister Steam System is only meant to be used with recommended Deluxe Canister Steam System accessories. Other types of attachments are not to be used with the Deluxe Canister Steam System. Doing so may cause injuries or damage to unit.
12. Attachments become hot during use. To avoid injuries, DO NOT touch attachments while using this appliance. DO NOT attempt to change attachments while unit is emitting steam.
13. When filling your Deluxe Canister Steam System, only water should be used in unit. Other cleaning agents will damage unit and can cause injuries.
14. DO NOT operate unit if steam opening is blocked. Should this occur, immediately cease usage and unplug from electrical outlet.
15. Store your Deluxe Canister Steam System in a cool, dry place.
16. To avoid burns from escaping steam when removing Boiler Cap to refill unit:
  - Always allow unit to cool for 20 minutes.
  - Press and hold Steam Button to release ALL remaining steam.

## SAVE THESE INSTRUCTIONS FOR HOUSEHOLD USE ONLY

---

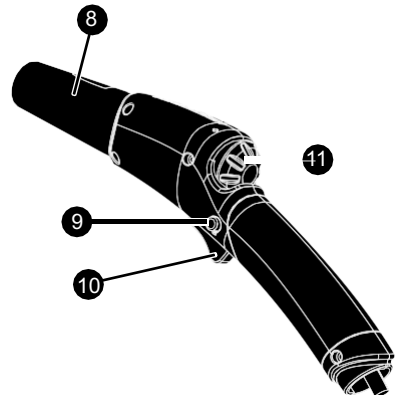
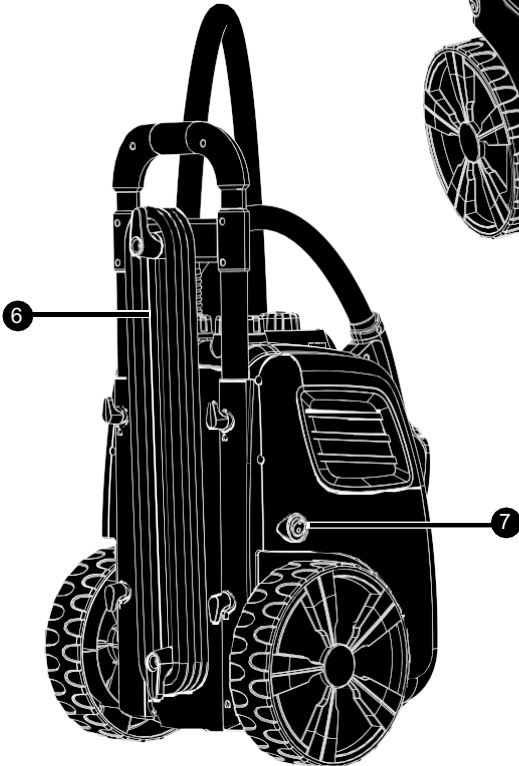
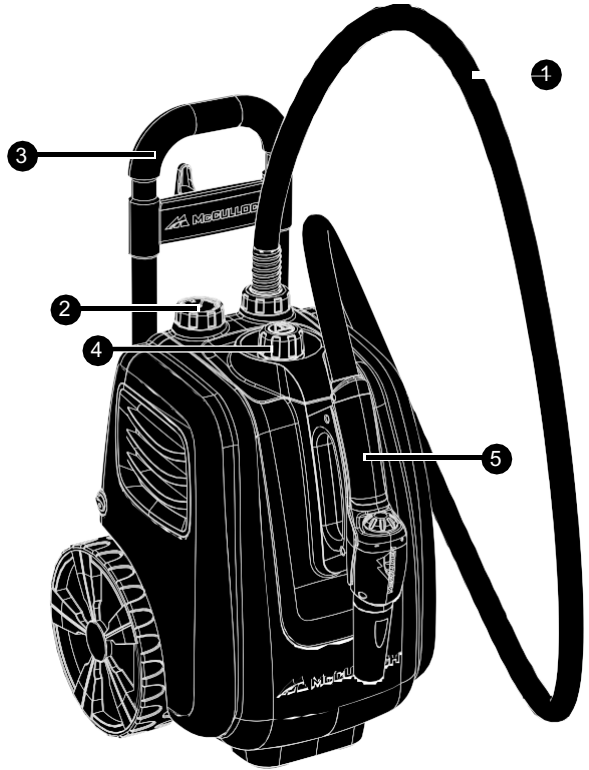
### Questions or comments?

- [www.mccullochsteam.com](http://www.mccullochsteam.com)
- [consumerservice@mccullochsteam.com](mailto:consumerservice@mccullochsteam.com)
- 1-800-711-6617

These features and accessories are included with your Deluxe Canister Steam System. To obtain additional parts, refer to Product Support on Page 19 of this manual.

## UNIT FEATURES

- |    |                           |
|----|---------------------------|
| 1  | 10' Steam Hose            |
| 2  | Pressure Gauge            |
| 3  | Integrated Handle         |
| 4  | Boiler Cap                |
| 5  | Steam Handle Cradle       |
| 6  | Cord Wrap                 |
| 7  | Illuminated On/Off Switch |
| 8  | Steam Nozzle              |
| 9  | Steam Trigger Lock        |
| 10 | Steam Trigger             |
| 11 | Steam Adjustment Knob     |





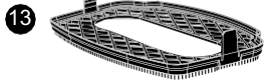
- The *10' Steam Hose (1)* safely channels the flow of steam from the Boiler to the Steam Nozzle.
- The *Pressure Gauge (2)* measures the pressure in the Boiler.
- The *Integrated Handle (3)* is engineered to stay cool while providing maximum grip and comfort.
- The *Boiler Cap (4)* is designed to safely contain steam inside the *Boiler*. The *Boiler Cap* must be unscrewed and removed in order to fill the *Boiler* with water.
- The *Steam Handle Cradle (5)* functions as a convenient holder for the Steam Nozzle.
- The *Cord Wrap (6)* neatly stores the Power Cord.
- The *Illuminated On/Off Switch (7)* illuminates when the unit is powered On.
- The *Steam Nozzle (8)* emits a flow of hot, penetrating steam whenever the *Steam Trigger* is pressed and held.
- The *Steam Trigger Lock (9)* locks Steam Trigger to "on" position for continuous steam.
- The *Steam Trigger (10)* is pressed and held in order to start the flow of steam from the *Steam Nozzle*, then released when you wish to stop.
- The *Steam Adjustment Knob (11)* is conveniently located on the handle to adjust the intensity of the steam at your fingertips.

## ACCESSORIES

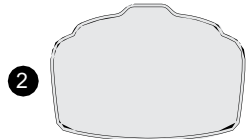
- 1 | 2 - 16.5" Extension Wands
- 2 | Microfiber Mop Pad
- 3 | Scrubbing Mop Pad
- 4 | 5.5" Jet Nozzle
- 5 | 4" Triangle Brush
- 6 | 6" x 4.5" Large Brush
- 7 | 2 - 1.5" Nylon Utility Brush
- 8 | 2 - 1.5" Brass Utility Brush
- 9 | Angled Nozzle
- 10 | 3" Scraper
- 11 | 9" Squeegee
- 12 | 13" x 8.5" Large Mop Head
- 13 | Bristle Brush Attachment
- 14 | Storage Bag
- 15 | Fill Cup
- 16 | Accessory Net
- 17 | 2 - 2.5" Round Brush
- 18 | 2 - 2.5" Round Scrub Pad



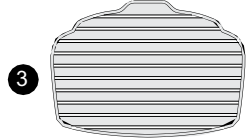
13" x 8.5" Large Mop Head  
A1375-003-A



Bristle Brush Attachment  
A1375-004



Microfiber Mop Pad  
A1375-100



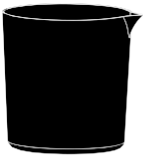
Scrubbing Mop Pad  
A1375-101



5.5" Jet Nozzle  
A1230-001



3" Scraper  
A1230-009



Fill Cup  
A275-015

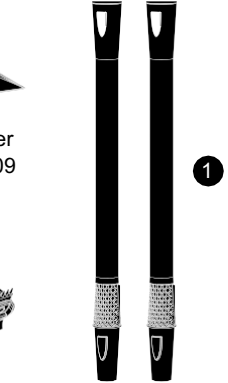


4" Triangle Brush  
A1230-002

6" x 4.5" Large  
Brush  
A1230-003



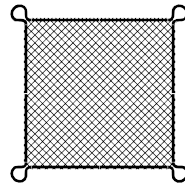
9" Squeegee  
A1350-002



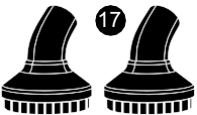
16.5" Extension Wands  
A1375-002



Storage Bag  
A1375-010



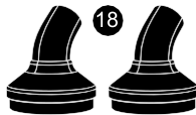
Accessory Net  
A1375-005



2.5" Round Brushes  
A1350-001



Angled Nozzle  
A1375-001



2.5" Round Scrub Pads  
A1230-007



1.5" Nylon Utility  
Brushes  
A1230-005



1.5" Brass Utility  
Brushes  
A1230-006

- The *16.5" Extension Wand* (1) connects to the Steam Nozzle. Used with mop attachment or for high or hard-to-reach places.
- The *Microfiber Mop Pad* (2) attach to the Mop Head, and are designed for removing scuffs and stains from hard floors. The Pads are reusable and machine washable.
- The *Scrubbing Mop Pad* (3) attach to the Mop Head, and are designed for removing scuffs and stains from hard floors. The Pads are reusable and machine washable.
- The *5.5" Jet Nozzle* (4) focuses the flow of steam from the Steam Nozzle, and serves as the base to which the Utility Brushes and Scrub Pad connect.
- The *Triangle Brush* (5) connects to the Steam Nozzle or Extension Wands, and is designed for cleaning corners and other difficult angles.
- The *Large Brush* (6) attaches to the Triangle Brush to cover large surfaces.
- The *1.5" Nylon Utility Brush* (7) connects to the Jet Nozzle, providing extra scrubbing power for removing exceptionally tough dirt and stains.
- The *1.5" Brass Utility Brush* (8) connects to the Jet Nozzle and is designed for removing tough stuck-on grease and grime from durable surfaces such as ovens and grills.
- The *Angled Nozzle* (9) is designed for reaching difficult angles and areas that the Jet Nozzle may not completely reach.
- The *3" Scraper* (10) attaches to the Steam Nozzle to scrape off stuck on grime.
- The *9" Squeegee* (11) attaches to Steam Nozzle to remove bugs from windshield or windows or soap scum from showers.
- The *13" x 8.5" Large Mop Head* (12) attaches to Extension Wands to clean garage floors, decks or any other extra large surface areas.
- The *Bristle Brush Attachment* (13) attaches to Large Mop Head to scrub away stubborn spots on floors.
- The *Storage Bag* (14) stores all attachments neatly in one convenient bag.
- The *Fill Cup* (15) is used to fill Boiler without spills.
- The *Accessory Net* (16) stores brushes and other small accessories.
- The *2.5" Round Brush* (17) connects to the Jet Nozzle to scrub especially tough stains. The Round Brush functions similar to the Nylon Utility Brush, only designed to more efficiently scrub larger surface areas.
- The *2.5" Round Scrub Pad* (18) connects to the Jet Nozzle and is designed to scrub tough dirt and scuffs from surfaces.

## STEAM MOPPING ACCESSORIES

**WARNING:** Do not try to connect accessories while unit is emitting steam.

### EXTENSION WANDS

1. Select one of the Extension Wands. Insert end (A) of Wand onto Steam Nozzle (B) with yellow lock/release button slightly off center with hole. Fully insert and rotate wand slightly to allow button to snap into hole.
2. Using the same instruction, attach remaining Extension Wand (C) to the first Wand. Both Extension Wands should now be connected to the Steam Nozzle.

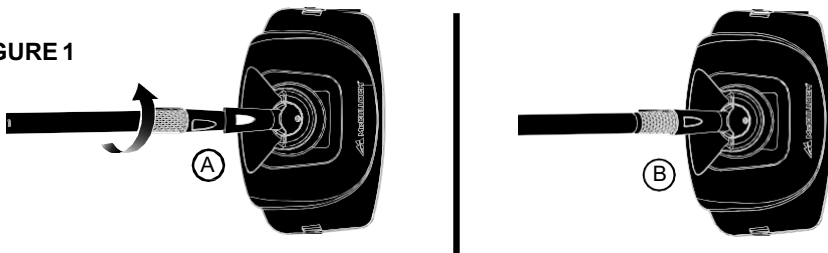


### MOP HEAD

1. Align Mop Head with open end of Extension Wand, so that hole in Mop Head aligns with yellow lock/release button on Wand.
2. Press down on yellow lock/release button. While continuing to hold button down, slide Mop Head onto Extension Wand (See figure 1-A). Fully insert and rotate wand slightly until button snaps through hole (See figure 1-B).

**NOTE:** Do not use excessive force when mopping or using Extension Wands as this may cause the Wands to break.

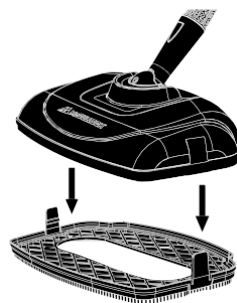
FIGURE 1



### BRISTLE BRUSH ATTACHMENT

1. Align Mop Head with Bristle Brush Attachment, so that the release tabs (A) on the Bristle Brush align with the sides of the Mop Head (B).
2. Firmly press the Bristle Brush Attachment onto Mop Head until it securely snaps into place.

**Note:** Do not use Bristle Brush Attachment with Microfiber or Scrubbing Mop Pad.



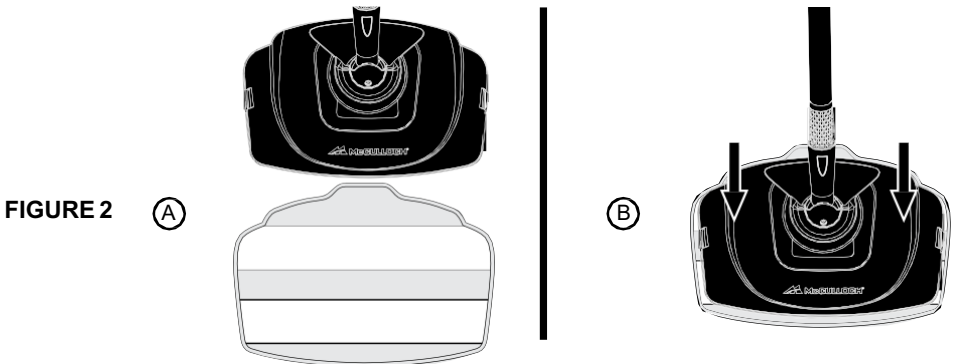


## MICROFIBER PADS

1. Lay one Microfiber Pad on flat surface, with two fastener strips facing upward.
2. Align Mop Head with Microfiber Pad. Make sure Mop Head is oriented with Pad as shown, and centered as best as possible (See figure 2-A).
3. Press Mop Head firmly down onto Microfiber Pad. Fastener strips will adhere to Pad Grips on underside of Mop Head. Pad should now be attached and ready for use (See figure 2-B).

**CAUTION:** Use care when handling a recently used Microfiber Pad, as it may still be hot.

**NOTE:** Microfiber Pads are machine washable. To avoid picking up lint, washing separately from other fabrics is recommended. Only use liquid detergent. Avoid using any fabric softeners or bleach. Air drying is recommended; machine drying on a low heat or air dry setting is acceptable as well.



The Mop Head and Microfiber Pads are perfect for use on these hard floor surfaces:

- Sealed Hardwood
- Sealed Laminate
- Glazed Ceramic
- Marble
- Tile
- Stained Concrete
- Linoleum
- Granite
- Vinyl

**IMPORTANT:** Do not use on unsealed hardwood or unglazed ceramic surfaces. Surfaces that are not properly sealed may be warped or damaged by exposure to heat and moisture.

Care should also be taken when steaming sealed hardwood floors, as prolonged exposure to steam in a single spot may cause damage and discoloration. To avoid this, keep the Mop Head in constant motion on these surfaces.

Steam may remove the sheen from some floors that have been treated with wax.

Extremely rough textured floors may tear or damage Microfiber Pads.

Before steaming any flooring, it is recommended to consult the manufacturer's guidelines. For flooring in question, always test on a small inconspicuous area before proceeding.

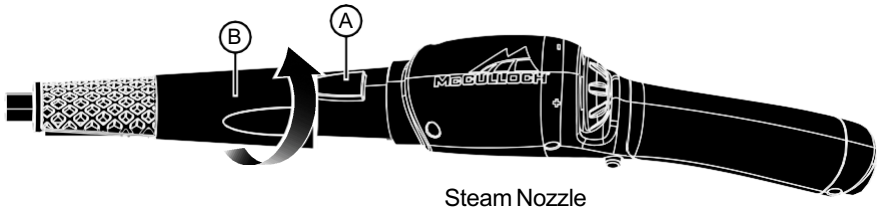
## STEAM CLEANING ACCESSORIES

**WARNING:** Do not connect accessories while unit is emitting steam.

### JET NOZZLE / SCRAPER / SQUEEGEE / TRIANGLE BRUSH

1. Select one of the three accessories (Jet Nozzle shown as example) and push onto the Steam Nozzle (A).
2. Rotate accessory until the yellow lock/release button snaps into the accessory hole (B).

**NOTE:** The Jet Nozzle, Scraper, Squeegee and Triangle Brush can be connected to the end of an Extension Wand for reaching high or difficult spots. Connect the Extension Wand (or Wands) as outlined on Page 8, then connect your desired accessory to the Wand in the same way as you would normally connect to the Steam Nozzle.



### UTILITY BRUSHES / ANGLED NOZZLE / SCRUB PAD

**NOTE:** Accessories connect to the Jet Nozzle, not the Steam Nozzle.

1. Firmly press accessory onto tip of Jet Nozzle. Press it on as far as possible to prevent steam leakage (See figure 3).
2. To remove accessory, simply grip it firmly and pull it off Jet Nozzle.

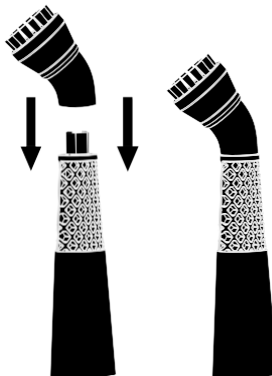


FIGURE 3

### LARGE BRUSH

**NOTE:** Large Brush connects to the Triangle Brush, not the Jet Nozzle.

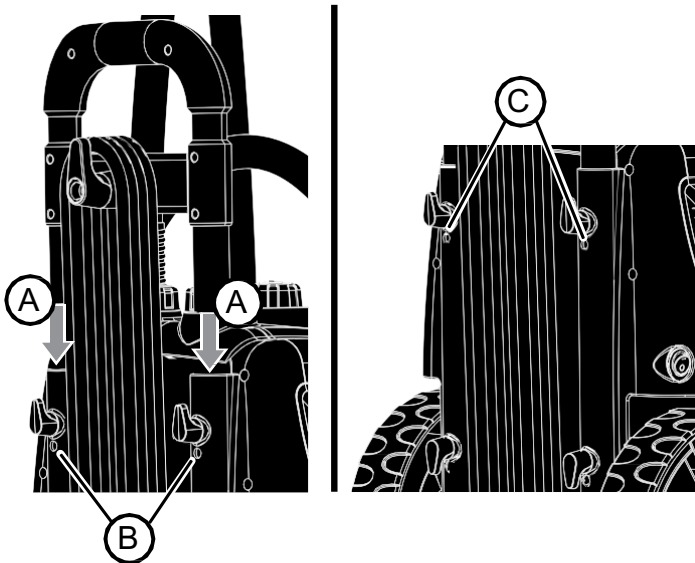
1. Place Large Brush over the Triangle Brush, and firmly press it on to the Triangle Brush as far as possible (See figure 4).
2. To remove Large Brush, simply grip it firmly and pull it off of the Triangle Brush.



**FIGURE 4**

### INTEGRATED HANDLE

1. Align the poles with the holes located on unit (A).
2. Push down until the buttons snap into place (B).
3. To collapse the Integrated Handle, push both buttons at the same time to release (C). Then push down.



### ORDERING ACCESSORIES & PARTS

Replacement accessories and parts for your Deluxe Canister Steam System (model MC1385) may be ordered through our Website:

[www.mccullochsteam.com](http://www.mccullochsteam.com)

You may also contact Consumer Service directly:

[consumerservice@mccullochsteam.com](mailto:consumerservice@mccullochsteam.com) or 1-800-711-6617

Jet Nozzle / Angled Nozzle	Dirt, Grease, Grime, Cracks and Crevices, Golf Clubs, Tread of Running Shoes
Triangle Brush	Corners on Countertops, Bathtubs, Floors
Large Brush	Floors, Grout
Scraper	Baked on Food, Grime, Grease, Stove Tops, Ovens
Round Scrub Pad	Countertops, Bathtubs, Sinks, Refrigerators, Ovens, Slate
Nylon Utility Brush and Round Brush	Ovens, Stove Tops, Faucet Fixtures, Microwaves, Sports Equipment, Tile, Grout, Refrigerators, Toys, Door Knobs, Showers, Bathtubs, Changing Tables
Brass Utility Brush	BBQ Grills, Oven Wire Racks
Mop	Stone, Slate, Glazed Ceramic Tile, Sealed Hardwood
Squeegee with Scrubbing Brush	Bugs on Windshield or Windows, Soap Scum, Grime, Shower Glass Doors, Mirrors, Glass
Bristle Brush Attachment	Stone, Slate, Grout

**WARNING:** Do not use on unsealed hardwood or unglazed ceramic surfaces. For flooring in question, always test on a small inconspicuous area before proceeding.

**NOTE:** Before cleaning electrical appliances, check and follow appliance manufacturer's cleaning guidelines. Never apply to electrical parts.

**NOTE:** Some delicate surfaces, such as painted wood or stainless steel may be scratched or damaged by the bristle of the brushes, especially the Brass Utility Brush. Use careful judgment when deciding what surface to clean with any of the brushes. If you are unsure if a surface will be damaged, it is recommended that you test a small inconspicuous spot before proceeding.

## FILLING BOILER

1. Place Deluxe Canister Steam System on a flat, level surface.
2. Make sure illuminated On/Off Switch is turned to "Off" and grounded power cord is unplugged from electrical outlet.



**If unit has been in use, always use the following safety precautions before removing the Boiler cap to add water:**

- Allow unit to cool for 20 minutes or until pressure gauge is at zero.
- Press and hold Steam Trigger to release **ALL** remaining steam.

**WARNING: Failure to follow these precautions may result in burns from escaping steam when the Boiler Cap is removed.**

3. Cautiously unscrew and remove Boiler Cap.
4. Drain any water remaining inside Boiler.

**NOTE: The Boiler should be emptied after each use – this will help minimize mineral build-up and prevent over-filling.**

5. Using the Fill Cup, fill the unit with 64 oz (1,892 ml) of water.

**NOTE: In order to significantly reduce mineral build-up and prolong the life of your Deluxe Canister Steam System, use of distilled or de-mineralized water in the unit is highly recommended. Refer to Page 16 for more information about mineral build-up.**

**WARNING: Caution should always be used when pouring water into the Boiler. Do not look directly down into fill hole when filling. Keep your free hand and any children or pets at a safe distance.**

6. Replace Boiler Cap, ensuring that it is screwed on tightly to prevent hot steam from escaping and causing injury.

## GENERAL OPERATION

**NOTE: Be sure that Boiler has been filled and that desired accessories are connected before following these steps.**

1. For first time use, remove protective plastic cover from electrical plug. Plug power cord into a electrical outlet.
2. Switch Lighted On/Off Switch to “On” position.
3. The pressure gauge indicates the operating pressure of the steam cleaner. Once the needle is in the green section, the unit is ready to begin steaming.

During use and as steam is released, pressure will drop. This may cause the needle to move down in the green section. This is a normal condition. As long as the needle is in the green section, the product is operating normally. If the needle is continuously in the yellow or red section, please contact Consumer Service at 1-800-711-6617.

4. Direct Nozzle (and any connected accessory) towards surface you desire to steam, and press Steam Trigger. To sanitize surfaces, point Nozzle, press Trigger and hold approximately 1/2 inch from surface for at least 5 seconds. This will insure that you have killed germs and bacteria.

**CAUTION: Always be sure that Nozzle and any accessory are pointed in a safe direction (away from yourself, other people, pets, and plants) before pressing Steam Trigger.**

5. Keep Steam Trigger pressed for a continuous flow of steam. You may also hold the Steam Trigger, then push the Steam Trigger Lock to lock it down. This will allow a continuous flow of steam without need of holding the Steam Trigger down manually. Steam output can be adjusted by simply turning the Steam Adjustment Knob.
6. Using a back-and-forth motion over the area you are steaming will further enhance the cleaning process. Wipe steamed areas with a clean cloth to remove loosened dirt and grime. Wiping the area while it is still wet is recommended, but use caution when wiping surfaces such as metal that may still be hot.
7. Once steaming tasks are complete, turn the unit “Off” and unplug. Follow steps under Proper Storage procedure on Page 16 of this manual.

## STEAM MOPPING

**NOTE: Be sure that Boiler has been filled and that all steam mopping accessories are connected before following these steps.**

**It is recommended to sweep or vacuum hard floors before mopping.**

1. Follow Steps 1-3 of General Operation section above.

**Refer to Page 9 for a listing of hard floor surfaces that are recommended for cleaning with the Deluxe Canister Steam System.**

2. For best results, use a continuous back-and-forth motion over floor surface, pushing the Mop Head away and pulling it back towards you. Work your way backwards over the floor, in order to avoid walking over freshly mopped areas.

**NOTE: To avoid warping or damage caused by heat and moisture, do not use on unsealed hardwood or unglazed ceramic surfaces. Steam may remove the sheen from some floors that have been treated with wax.**

3. The Microfiber Pad will absorb dirt and moisture during mopping. However, when you are finished you may find some residual moisture has been left behind. In this case, it is recommended to allow floor time to air-dry. A fan may be directed towards mopped area to facilitate drying.

## **PROPER STORAGE**

Preparing your Deluxe Canister Steam System for storage is quick and simple. When you have finished your steaming tasks, follow the steps listed below.

1. Turn unit “Off” and unplug power cord.
2. Press and hold Steam Trigger to release all remaining steam.
3. Allow unit to completely cool (at least 30 minutes).
4. Remove all accessories from unit.
5. Carefully remove Boiler Cap.
6. Drain any remaining water from Boiler into a sink or tub – this will help to minimize mineral build-up and prevent over-filling during your next use. Replace Boiler Cap loosely.
7. Store accessories. Utility Brushes can be conveniently stored in the Accessory Net. Remaining accessories can be stored in the Storage Bag.
8. Store Deluxe Canister Steam System in a cool, dry location.

## **MINERAL BUILD-UP**

A common maintenance need for steam appliances is the removal of build-up caused by high mineral content in many municipal water supplies. This mineral build-up may limit the effectiveness and reduce the life of your Deluxe Canister Steam System.

The best way to minimize mineral build-up is to use distilled or de-mineralized water when using your Deluxe Canister Steam System. If you are unable to use distilled water, it is recommended that the following procedure be followed monthly to remove any mineral build-up:

1. Turn unit “Off” and unplug power cord.
2. Allow unit to completely cool (at least 30 minutes).
3. Press and hold Steam Trigger to release all remaining steam.
4. Remove all accessories from unit.
5. Carefully remove Boiler Cap.
6. Drain water from Boiler into a sink or tub.
7. Using Measuring Cup, measure 8 oz. (237 ml.) of vinegar.
8. Slowly pour vinegar into Boiler.
9. Allow to stand for 40 minutes.
10. Drain vinegar from Boiler.
11. Rinse Boiler with fresh water, drain and repeat until vinegar odor dissipates.
12. Replace Boiler Cap.



PROBLEM	POSSIBLE CAUSE	SOLUTION
Unit fails to heat up.	Unit is not plugged in.	Plug power cord into electrical outlet.
	Household circuit breaker / ground fault interrupter has tripped or blown a fuse.	Reset circuit breaker / ground fault interrupter, or replace fuse. If you need assistance, contact a licensed electrician.
	Unit is damaged or otherwise in need of repair.	Immediately cease usage and unplug. Contact Consumer Service for further assistance (see Page 19 for details).
	Boiler is empty.	Refer to <b>Filling Boiler</b> procedure on Page 13.
	Mineral build-up in unit.	Refer to <b>Mineral Build-up</b> section on Page 16 for cleaning procedure.
	Unit is damaged or otherwise in need of repair.	Immediately cease usage and unplug. Contact Consumer Service for further assistance (see Page 16 for details).
Steam output is weak or intermittent.	Water level in Boiler is running low.	Refer to <b>Filling Boiler</b> procedure on Page 13.
	Mineral build-up in unit.	Refer to <b>Mineral Build-up</b> section on Page 16 for cleaning procedure.
Excessive amount of water in steam.  <b>NOTE: Unit produces wet steam – it is normal for steam to contain some amount of water.</b>	Water condensation in Steam Hose.	Point nozzle towards sink, tub or ground and shake while pressing Steam Trigger. Continue until excess water is released.
	Boiler has been overfilled.	Filling the Boiler with more than 64 oz. (1,892 ml.) of water interferes with steam production, resulting in water condensation in steam.  Always fill unit with correct amount of water. (see Page 13 for details)
Accessories do not stay firmly connected to Steam Nozzle.	Accessories not properly installed.	Check to make sure that accessories are properly connected, per procedures on Pages 8-11.
Floor surfaces appear cloudy or streaky after steaming.	Microfiber Pad is dirty.	Replace Microfiber Pad with a clean one.
	Hard water residue on floor.	Switch to distilled or de-mineralized water.



Refer to the part numbers below when ordering parts and accessories for your Deluxe Canister Steam System.

## **Replacement Accessories**

Part Numbers for Fast Reordering at [www.mccullochsteam.com](http://www.mccullochsteam.com)

Jet Nozzle	A1230-001
Angled Nozzle	A1375-001
Triangle Brush	A1230-002
Large Brush	A1230-003
Nylon Utility Brush - 5 Pack	A1230-005-5
Brass Utility Brush - 5 Pack	A1230-006-5
Round Brush - 5 Pack	A1350-001-5
Round Scrub Pad - 5 Pack	A1230-007-5
Fill Cup	A275-015
Scraper	A1230-009
Squeegee	A1350-002
Storage Bag	A1375-010
Extension Wand	A1375-002
Mop Head	A1375-003-A
Bristle Brush Attachment	A1375-004
Microfiber Mop Pads - 2 Pack	A1375-100
Scrubbing Mop Pad - 2 Pack	A1375-101

## **Replacement Parts**

Available via Consumer Service at 1-800-711-6617

Boiler Cap	T1230-001
------------	-----------

## CONSUMER SERVICES

For problems with your Deluxe Canister Steam System, please refer to the Troubleshooting guide located on Page 17 of this manual. Additional inquiries should be directed to our consumer support services through our website, [www.mccullochsteam.com](http://www.mccullochsteam.com).

If you do not have internet access, you may also contact our Consumer Service Department by telephone, at 1-800-711-6617.

**NOTE: In order for our Consumer Service representatives to help you as quickly and efficiently as possible, please have the following information ready before calling:**

- Purchase information (where and when you purchased this product)
- Copy of purchase receipt / proof of purchase
- Product serial number (located on electrical specification label on back of unit)
- Date code (4-digit number located on electrical specification label)

### PRODUCT SPECIFICATIONS

MODEL	MC1385
VOLTAGE	120V
POWER	1500W
WATER CAPACITY	64 oz. (1,892 ml)
HEATING TIME	12 min. (approximate)
CONTINUOUS STEAM TIME	90 min high, 120 min low (approximate)
UNIT WEIGHT	13 lbs. (5.9 kg.)
UNIT DIMENSIONS	13.1" x 13.35" x 19.05" (33.3 cm x 33.9 cm x 48.4 cm)

## 2-YEAR LIMITED WARRANTY

### What is covered

McCulloch® is a licensed brand of Steamfast, a division of Vornado Air, LLC ("Steamfast"). Subject to the terms and conditions of this 2-Year Limited Warranty ("Warranty") as set forth below, Steamfast warrants to the original consumer or purchaser ("Buyer") that this McCulloch®-branded steam product, excluding all accessories and attachments, (the "Product") is to be free from defects in material and workmanship for a period of two (2) years from the date of purchase when used and maintained in accordance with the Owner's Guide (the "Warranty Period").

In the event Buyer notifies Steamfast of a defect in the Product within the Warranty Period, Steamfast will replace the Product and/or defective component parts, as applicable and necessary. Any such replacement will be made at no charge to Buyer for parts or labor, provided that Buyer shall be responsible for all shipping and transportation costs associated with returning the Product to Steamfast for inspection and covered replacement.

### What is not covered

This Warranty shall not be applicable to damage or loss caused in whole or in part by:

- Repairs, modifications or alterations to the Product by anyone other than Steamfast.
- Use or operation of the Product outside the permitted or intended uses described by Steamfast in the Owner's Guide, or other careless operation, handling, misuse, or abuse of the Product.
- Lack of proper maintenance or timely cleaning of the Product as specified in the Owner's Guide.
- Use of the Product other than for normal household purposes.
- Normal wear and tear.

- Used consumable parts, accessories and attachments, including, but not limited to, brushes, hangers, scrub pads and mop pads.
- Use of parts and accessories other than those produced or recommended by Steamfast.
- Cosmetic damage, such as scratches, nicks and dents.
- Damage caused by accident, water, flood, fire or other acts of nature or external causes.

### Warranty limitations and exclusions

- NO OTHER EXPRESS WARRANTY IS GIVEN BY STEAMFAST TO BUYER AND NO REPRESENTATIVE HAS THE AUTHORITY TO MAKE REPRESENTATIONS OTHER THAN THOSE PROVIDED HEREIN.
- THERE ARE NO WARRANTIES WHICH EXTEND BEYOND THE DESCRIPTION ON THE FACE HEREOF AND ALL IMPLIED WARRANTIES, SPECIFICALLY THE IMPLIED WARRANTIES OF MERCHANTABILITY AND FITNESS FOR A PARTICULAR PURPOSE, ARE HEREBY EXPRESSLY LIMITED TO THE DURATION OF THE WARRANTY PERIOD, UNLESS A SHORTER PERIOD IS PERMITTED BY LAW.
- STEAMFAST'S REPLACEMENT OF THE PRODUCT IS THE EXCLUSIVE REMEDY. UNDER NO CIRCUMSTANCES SHALL STEAMFAST BE LIABLE TO BUYER OR ANY OTHER PERSON FOR ANY INCIDENTAL, SPECIAL, CONSEQUENTIAL, OR OTHER DAMAGES, EVEN IF STEAMFAST HAS BEEN ADVISED OF OR COULD REASONABLY FORESEE THE POSSIBILITY OF SUCH DAMAGES, INCLUDING, BUT NOT LIMITED TO, LOSS OF PROFITS OR DAMAGE, WHETHER ARISING OUT OF BREACH OF WARRANTY, BREACH OF CONTRACT OR UNDER ANY OTHER THEORY OF LAW.
- THIS WARRANTY GIVES BUYER SPECIFIC LEGAL RIGHTS. BUYER MAY ALSO HAVE OTHER RIGHTS WHICH VARY FROM STATE-TO-STATE. SOME STATES DO NOT ALLOW THE EXCLUSION OR LIMITATION OF INCIDENTAL OR CONSEQUENTIAL DAMAGES, AND SOME STATES DO NOT ALLOW LIMITATIONS ON HOW LONG AN IMPLIED WARRANTY LASTS, SO THE ABOVE LIMITATION OR EXCLUSION MAY NOT APPLY TO BUYER.

### How do you register the Warranty

Buyer must complete an application to register this Warranty within sixty (60) days following date of purchase. Buyer may either visit Steamfast's website at [www.mccullochsteam.com](http://www.mccullochsteam.com) and complete an online application or mail a completed application to Steamfast. Failure to register this Warranty within sixty (60) days following date of purchase will render this Warranty null and void.

### Warranty service

For warranty service, call 1-800-711-6617 or email [consumerservice@mccullochsteam.com](mailto:consumerservice@mccullochsteam.com) to obtain a Return Authorization ("RA") form. Include the Product model number and serial number, as well as Buyer's name, address, city, state, zip code and phone number when contacting Steamfast for warranty service. Buyer may be required to provide the original sales receipt for purposes of verifying date of purchase. After receiving the RA form, the Product must be shipped, postage prepaid by Buyer, to:

Steamfast  
Attn: Warranty & Repair  
415 E. 13th Street  
Andover, KS 67002

To assure proper handling, packages must be clearly marked with the RA number. Packages not clearly marked with the RA number may be refused at the receiving dock.

Important: After receiving return authorization, carefully pack the Product to avoid damage in shipping. Damage in shipping is not covered by the Warranty and shall be the sole responsibility of Buyer. Damage or loss not covered by this Warranty or occurring outside the Warranty Period will require a fee to cover the cost of handling and shipping. All such fees and costs shall be the sole responsibility of Buyer.

Please allow at least 1-2 weeks for return of the Product after it is received by Steamfast. For ease of recordkeeping, it is recommended that Buyer staple or attach the original sales receipt to this Owner's Guide and record the Product serial number (located on the Product specifications decal) here:



review this product online  
evalúe este producto en línea  
évaluer ce produit en ligne

[www.mccullochsteam.com/reviews](http://www.mccullochsteam.com/reviews)

Manufactured by Vornado Air LLC under license from Husqvarna AB (publ).

For more information on other McCulloch products,  
visit [www.mccullochsteam.com](http://www.mccullochsteam.com)

For questions, or comments or warranty information,  
call 1-800-711-6617 or visit [www.mccullochsteam.com](http://www.mccullochsteam.com)