



comcolor

designed for a new era



9050
7050
3010

designed for a new era

The all new comcolor series from Riso >>

The new comcolor series utilises
a revolutionary technology that has:

- no** drum
- no** toner
- no** fumes or harmful emissions
- no** high temperature fusing process

The comcolor series from Riso can print:

office
documents

transactional
documents

cardstocks

envelopes

analysis
documents

invoices

variable data

and much
more...

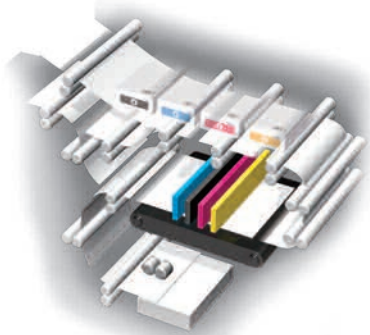


The comcolor series from Riso uses the very latest Unique Forcejet™ inkjet technology.

Incorporating many technological advantages over toner based printers and copiers, the comcolor series is:

- **ULTRA FAST** up to 150ppm
- **Compact**
- **Incredibly reliable**
- **Capable of 500,000 prints a month**
- **Environmental class leader with low energy consumption and no harmful emissions**
- **From workgroup (office) printer/copier to high volume production printer**

ENGINE TECHNOLOGY FORCEJET™



In-line Print Heads for High Output Speed

FORCEJET™ printing technology is based on the high-performance ink jet technology developed for demanding commercial applications. Four wide in-line ink jet heads (cyan, black, magenta, yellow) are arranged in parallel, allowing full-colour printing of A3 size paper and over at a single pass. Eight-step control for each individual ink drop assures superb results even at these printers' ultra high printing speeds.

High-Speed Duplex Printing

Printing both sides of the paper is as easy as single-sided printing – and just as fast. Once the front of a sheet is printed, the paper is reversed via a switchback, stackless mechanism that then allows the reverse to be printed. This innovative mechanism achieves astonishing print speeds of 75 sheets duplex/150 ppm simplex on the 9050, dramatically improving productivity and also reducing paper consumption.

Straight Paper Path for Stable Feed

Paper feeds horizontally beneath the print heads in a straight path enabling the Forcejet™ technology to achieve high print speeds. Multiple sensors and motors give micro-control of paper feed to match ink quantity sprayed from the print heads.

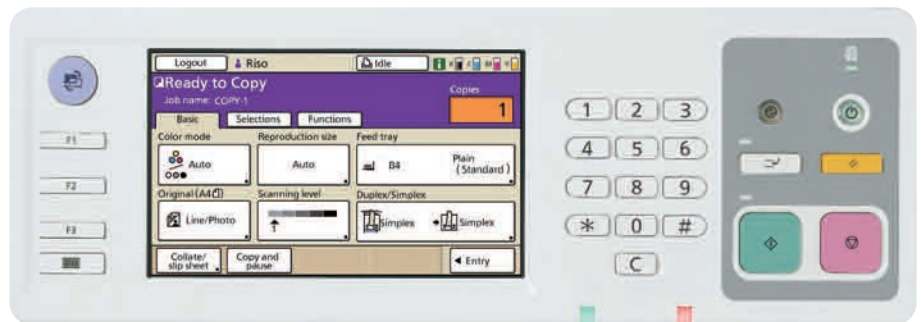
Special Fast-Drying Ink

RISO has developed special fast-drying oil-based inks for the ComColor series. Since they are fast-drying they allow ultra high-speed duplex printing, preventing transfer to the back of the following sheet when stacked in the output tray, and also eliminating paper curling. With both fade-and water-resistance, these inks are ideal for high-level business use.

Wide Print Area

With the use of an optional feed tray, the ComColor series printers can handle paper sizes up to 340 mm x 550 mm. Maximum print area at 314 mm x 548 mm, exceeds the size of A3 pages (9050, 7050 only).

designed for easy use



Colour LCD Touch Screen >>

The large 8.5-inch LCD touch screen puts all operations at your fingertips. The various screens are logically arranged for easy, step through intuitive operation to speed up the entire printing process.

Interrupt Copies >>

If you have a rush job but the printer is in the middle of a long print run, you can use the 'interrupt copies' function to stop printing, run off your urgent job, and then resume printing of your original document.

Direct Access/ Selections Entry >>

All major functions are displayed on the touch screen, and for added convenience you can place shortcuts to your most frequently-accessed commands on the top page.

Tray Handle Design >>

Handles for the paper tray are thoughtfully designed for ease of use: you can insert your hand from above or below to suit your convenience. (9050, 7050 only).



Front Access >>

Two front-mounted doors give quick, easy access to the printer's interior. So changing ink is a simple, clean-hands operation.

designed for productivity

Powerful, high-speed scanner unit adds even more functionality

High-speed 40ppm colour scanner

Add the optional colour scanner unit and your printer offers all the ease and convenience of a conventional colour copier, but with much greater speed. With its high 40ppm speed^{*1}, 100 sheet capacity^{*2} and automatic single/double-sided scanning capabilities, the scanner unit not only gets the job done quickly and conveniently, it also allows you to both copy preprinted materials or incorporate them into documents you prepare on your computer.

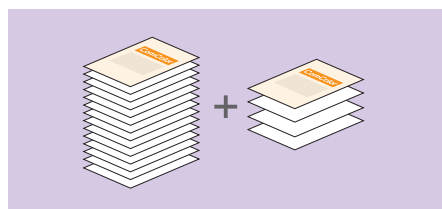
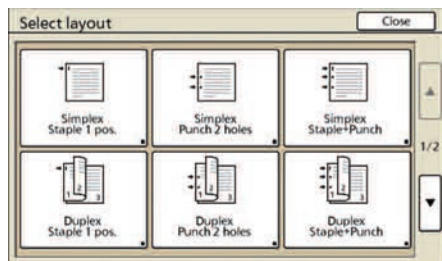


Scanner HS4000

*1: A4, long-edge feed, simplex
*2: Paper smaller than B4.

Select Layout >>

Choose from a selection of preset layouts/finishing options displayed on screen. One-touch access to your most frequently used layouts makes operation even faster and more convenient.

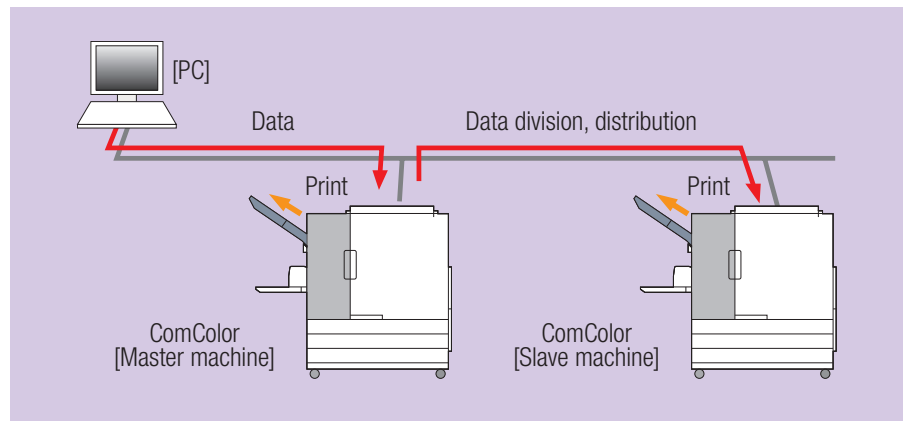


Additional Copies >>

The last job scanned is retained in memory, allowing you to run off additional copies if necessary. For security purposes, this function can be disabled.

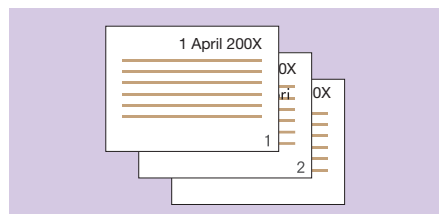
ADF Scan & Pause >>

If you have an original with more pages than the auto feeder's capacity (100 sheets), you can use the ADF Scan and Pause function to feed your document section by section up to the maximum of 1,000 simplex sheets.



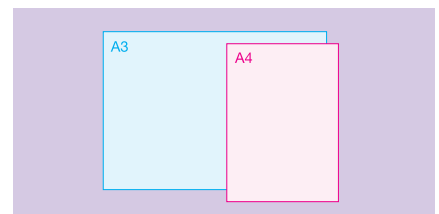
Clustering for Greater Efficiency >>

If you have multiple ComColor printers (using the IS900c), you can cluster them with one printer acting as the master and up to 4 machines a slaves. Clustering then automatically allocates print jobs in the most efficient way, either by diverting a job from a busy printer to one that is idle, or by spreading the job across multiple machines for parallel processing to finish the job even faster.



Stamp Page/Date >>

As with conventional word processor documents you can add header/footer information such as page number and date.



Mixed Size Originals >>

Sometimes you wish to scan and combine various originals into a single document, but the original documents may not be the same size. The 'mixed size originals' function overcomes this problem, automatically.

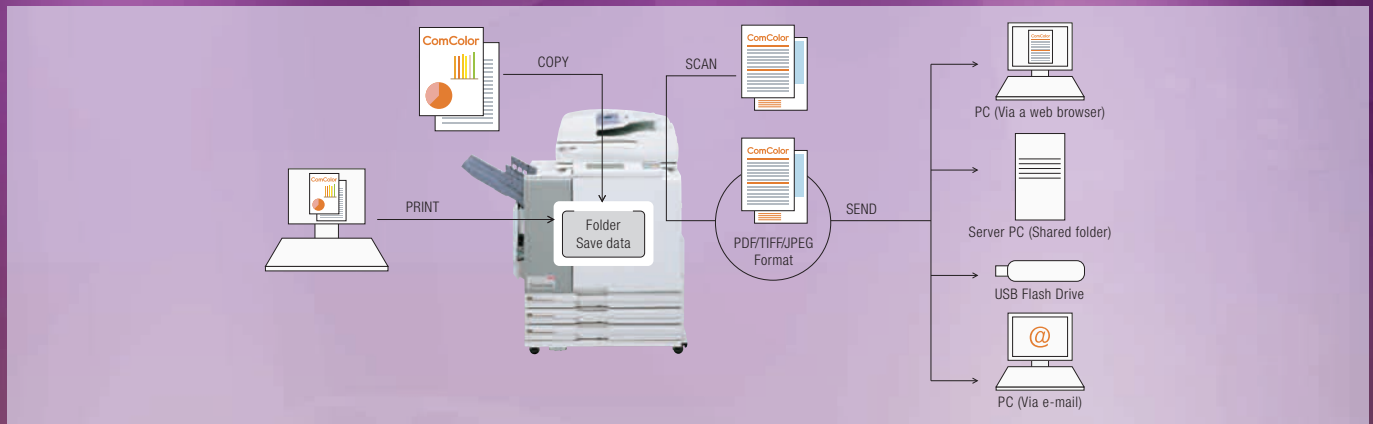
designed for control

Save to Folder/PIN

The save to folder function allows you to save data in the printer – either from your PC or from the scanner – for printing or reprinting later. Your saved data can be output in four ways: sent to a PC via a web

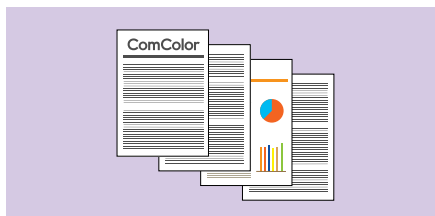
browser; sent to a shared folder on a server PC to give groups access to the data (access for groups can be restricted to their individual shared folder keeping data safely away from those who are not authorized to view or print it); sent to a USB flash drive; and sent to a PC via

e-mail. If the data is a confidential document, naturally you want to keep it away from prying eyes. The PIN code function allows you to lock scanned data saved on the internal hard disk, assuring it is only available to those with the correct PIN code.



User Control

Bundled RISO software lets the network administrator monitor and control printer usage. Information such as the number of copies printed, paper type, optional processing, job comments and more can be viewed from the administrator's computer and saved to a CSV file for later analysis. This allows efficient management of operations and assures correct inter-departmental printer usage.

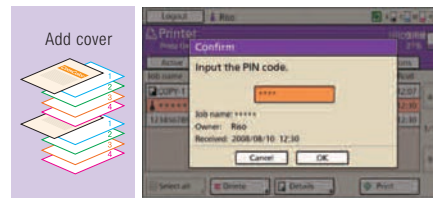


Auto Color Mode

Designed for documents with a mixture of color and black-and-white pages, the auto color mode senses the presence or absence of color and controls ink usage to reduce ink consumption and save costs.

Add Cover

This allows you to load preprinted or coloured sheets for automatic insertion into your output document as a front or back cover.



PIN Code

Confidential documents need to be kept away from prying eyes – even when they are being printed. PIN code security lets you do this. Simply specify a PIN code of up to eight digits when sending the job to the printer. Then enter the PIN code on the control panel to immediately print your job – even if other jobs are already queued in the printer's memory – while you wait and make sure no unauthorized personnel see your confidential document.



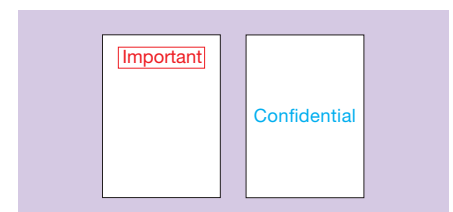
IC Card Authentication Kit

This optional kit prevents unauthorized use. Only authorized users are issued with an access IC card* and details of print usage such as the number of copies and frequency of usage of each authorized staff member are stored for later retrieval and analysis.

*Applicable Card: ISO 14443 Type A/Type C (FeliCa/Mifare).

Watermark

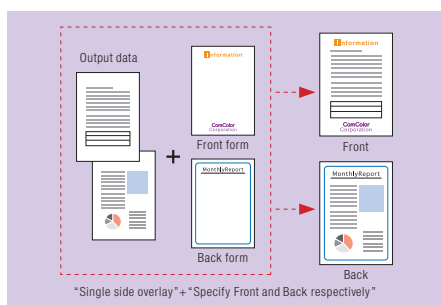
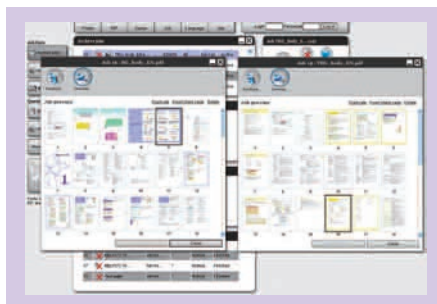
Add a watermark such as "Confidential", "Important", or "Circulation" to your document. You can freely specify the size, colour and position of your watermark.



designed for versatility

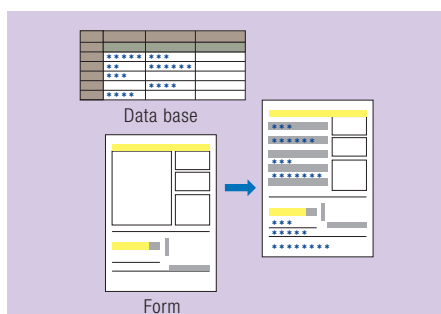
Form Printing*

Company letterheads, logos and the like can be stored and set up in a form, ready for the inclusion of variable data for any individual job. This handy function is perfect for official communications, company newsletters or any other application requiring a consistent format. Duplex printing with different forms on the front and back of sheets is also possible.



Archive Function*

Save jobs to the archive as RIP data and you can print them directly from the job manager, saving you the time and bother of resending and reprocessing the print data again. This is ideal for jobs that require frequent reprinting. For further versatility, you can rearrange jobs, insert blank pages, and even combine multiple archive jobs*.



Envelope Feed Kit/ Card Feed Kit

The optional Envelope Feed Kit and Card Feed Kit further broaden the printer's range of applications. As the names suggest, the Envelope Feed Kit lets you print envelopes up to 270 mm x 382 mm (C4+), while the Card Feed Kit lets you print on heavier stock up to 400 gsm (107-lb bond).

Variable Print Jobs*

This lets you output data for direct mailings to match individual customer information such as names and addresses, allowing you to print personalized letters, invitations, etc. It's the essential tool for one-to-one marketing operations.



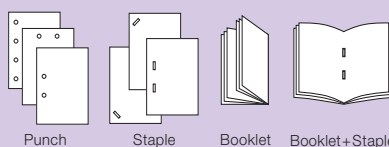
Adobe® PostScript® 3™

An optional RIP system employing Adobe® PostScript® 3™ lets you print PostScript data created with DTP software. Processing

and storage is fast thanks to an Intel® Core™ 2 Duo Processor and 320 GB hard disk. The system comes with 139 fonts and commercially available PS fonts may also be installed. You can rely on the power of Adobe PostScript 3 to accurately print the most complex, visually rich documents.

Multifunction Finisher

This versatile finisher saves time and trouble, automatically punching holes, stapling, folding booklets, and even centre-stapling booklets. It's the fast, efficient way to turn out truly professional-looking documents.



*only available with optional IS900c PostScript controller

comcolor specifications

		ComColor 9050	ComColor 7050	ComColor 3010
General				
Print Type		Line-type Inkjet System		
Print Head		Piezo-type, Physical Resolution 300 dpi, 8 Gradation		
Ink Type		Oil-based Pigment Ink		
Resolution		Standard: 300 dpi (main scanning direction) x 300 dpi (sub-scanning direction) Fine: 300 dpi (main scanning direction) x 600 dpi (sub-scanning direction) Line Smoothing: 600dpi (main scanning direction) x 600 dpi (sub-scanning direction)		
Initial Set-up Time		2 min. 45 sec. or less (at room temperature of 20°)		
First Print Time		8 sec. or less		
Continuous Print Speed	A4 long-edge feed: A3 short-edge feed:	Simplex: 150 ppm Duplex: 75 sheets/minutes (150 ppm) Simplex: 80 ppm Duplex: 40 sheets/minutes (80 ppm)	Simplex: 120 ppm Duplex: 60 sheets/minutes (120 ppm) Simplex: 66 ppm Duplex: 33 sheets/minutes (66 ppm)	*Simplex: 90 ppm *Duplex: 45 sheets/minutes (90 ppm) *A4 short-edge feed
Printable Area		Maximum: 314 mm x 548 mm	Maximum: 314 mm x 548 mm	Maximum: 210 mm x 544 mm
Power Source		AC100-127/200-240V, 50/60Hz, 10.0/5.0A		
Power Consumption		Maximum 1,000 W, Ready: 250 W, Sleep: Maximum 45 W, Stand-by: Maximum 1W		
Operating Noise		Maximum: 68 dB (when printing)		
Dimensions (WxDxH)	In use In storage	1,210 mm x 695 mm x 1,020 mm 1,150 mm x 695 mm x 990mm		
Weight		Approximately 180 kg	Approximately 180 kg	Approximately 160 kg
Built-In G.D.I RIP				
Supported Operating System		Microsoft Windows 2000, Microsoft Windows XP (32 bit version), Microsoft 2000 Server, Microsoft Windows Server 2003 (32 bit version), Microsoft Windows Vista (32 bit version) <i>(Please check for current OS compatibility)</i>		
Network Interface		Ethernet 1000BASE-T, 100BASE-TX, 10BASE-T (2ch)		
CPU		Intel Celeron - M440 (1.86GHz)		
Memory Capacity		1GB	1GB	512MB
HDD		Capacity 160GB User available area 140GB		
Paper handling				
Paper Size	Standard tray Feed Tray 1-3	Maximum: 340 mm x 550 mm Minimum: 90 mm x 148 mm Maximum: A3 (297 mm x 420 mm) Minimum: 182 mm x 182 mm		N/A N/A
Paper Weight	Standard Paper Feed Tray Paper Feed Tray 1-3	46 gsm to 210 gsm This can be increased to 400gsm maximum with the optional Card Feed Kit and delivery tray 52 gsm to 104 gsm		
Paper Tray Capacity	Standard Paper Feed Tray Paper Feed Tray 1-3	1,000 sheets (Height up to 100 mm) 500 sheets (Height up to 500 mm)		
Output Tray Capacity		Standard 500 sheets (Height up to 60mm)		
Copy / Scan				
Type		Flat Bed Scanner with Automatic Document Feeder (ADF)		
Scanning Modes		Color, Monochrome, Auto		
Scanning Resolution		600 dpi, 400 dpi, 300 dpi, 200 dpi		
Maximum Scan Range	Platen Glass Auto Document Feeder	303 mm x 432 mm 297 mm x 432 mm		
Automatic Document Feeder	Original Source Size Original Paper Weight Original Capacity: Scanning Speed	Maximum: 297 mm x 432 mm Minimum: 100 mm x 148 mm 52gsm to 128gsm 80gsm : Maximum 100 sheets Simplex, A4 long-feed : 40 ppm		
Copy	Resolution Copy First CopyTime*1 Scaling	Standard: 300 dpi x 300 dpi Fine: 300 dpi x 600 dpi Paper Size Maximum: 303 mm x 432 mm Monochrome/Color: 11.5 sec. or less Copy mode: 50 % to 200 % Scan mode, resolution 200/300 dpi: 50 % to 200 % Scan mode, resolution 400/600 dpi: 100 %		
Scan	Scanning Network Interface*2 Data-saving Method*2 Data-saving Format*2	Gray Level 10-bit input and 8-bit output for each RGB Ethernet 1000BASE-T/100BASE-T/10BASE-T Save to main unit hard drive, server, or UBS flash drive, or send by e-mail Monochrome: TIFF, PDF Grayscale/Full Color: TIFF, JPEG, PDF		

optional specifications

		ComColor 9050	ComColor 7050	ComColor 3010
Optional IS900C Postscript RIP				
Page Description Language		Adobe Postscript 3TM, PDF (1.7), PCL/PCL XL (PCL 5c 1.38), TIFF (6.)), PPML (2.1) *1*2		
Installed Fonts		PS 139 fonts, PCL 80 fonts		
Supported Operating System		Microsoft Windows 2000, Microsoft Windows XP (32-bit version), Microsoft Windows 2000 Server, Microsoft Windows Server 2003 (32-bit version), Microsoft Windows Vista (32-bit version), Mac OS X 10.4, Mac OS X 10.5 (Please check for current OS compatibility)		
CPU		Intel Core2Duo E6400 2.13GHz		
Memory Capacity		2 GB (1 GB x 2)		
HDD		320 GB, Use available area: 310 GB		
Power Source		AC100-120/200-240 V, 50/60 Hz, 2.0/1.0 A or more		
Power Consumption		Maximum: 300 W		
Operating Environment		Temperature: 5°C to 35°C (41°F to 95°F), Humidity: 20 % to 80 % (non-condensing)		
Dimensions (WxDxH)		180 mm x 405 mm x 356 mm		
Weight		Approximately 10 kg		
*1: PPML 2.1, conformance subset GA (graphic arts), Level 1, *2: Available with "IS900C Professional Package".				
Optional Finisher				
Paper Size *1	Top Tray	Maximum: 330 mm x 488 mm Minimum: 100 mm x 148 mm		
	Stacking Tray	Maximum: 330 mm x 488 mm Minimum: 182 mm x 182 mm		
	Booklet Tray	Maximum: 330 mm x 457 mm Minimum: 210 mm x 280 mm		
Tray Capacity	Top Tray	500 sheets of 80gsm A4	Paper Weight Range 52 gsm to 210 gsm	
	Stacking Tray*2	2000 sheets of 80gsm A4	Paper Weight Range 52 gsm to 210 gsm	
	Booklet Tray	20 sets	Paper Weight Range 60 gsm to 90gsm	
Stapling	Paper Capacity*3*4	100 sheets		
	Staple Paper Size	Maximum: 297 mm x 432 mm Minimum: 203 mm x 182 mm		
	Position	1 at Front Side (angle stapling) 1 at Rear Side (angle stapling *5, parallel stapling), 2 at center (parallel stapling)		
	Paper Weight	52 gsm to 210 gsm		
Punching	Paper Size	2 holes: A3, B4, A4 long-edge feed, A4, B5 long-edge feed, 4 holes: A3, A4 long-edge feed		
	Number of hole	2 holes, 4 holes		
	Paper Weight	52 gsm to 200 gsm		
Booklet Binding	Paper Capacity *3*6	Booklet with Staple: 15 sheets (60 pages) 2-Fold: 5 sheets (20 pages)		
Power Source		AC 100-120/200-240 V, 50/60Hz, 2.0/1.0 A or more		
Power Consumption		Maximum: 200 W		
Operating Noise		Maximum: 68dB (when finishing)		
Operating Environment		Temperature: 15°C to 35°C (59°F to 95°F), Humidity: 40 % to 70 % (non-condensing)		
Dimensions (WxDxH)		1,100 mm x 760 mm x 1,165 mm		
Dimensions when connected to printer (WxDxH)	In use	2,295 mm x 760 mm x 1,165 mm		
	In storage	2,235 mm x 760 mm x 1,165 mm		
Required Space when connected to Printer (WxDxH)		2,295 mm x 1,275 mm x 1,165 mm		
Weight		Approximately 131 kg		

optional specifications continued

		ComColor 9050	ComColor 7050	ComColor 3010
Optional face down offset tray				
Paper Size	No-sort output	Maximum: 340 mm x 550 mm Minimum: 90 mm x 148 mm Paper width: 131 mm to 305 mm		
	Sort output			
Paper weight	46 gsm to 210 gsm			
Tray Capacity	A3, A4 Landscape, B4, B5 landscape, Statement, A4, A5 landscape, Foolscap, B5,	500 sheets (Height up to 50 mm)		
Offset width	30 mm			
Dimensions when connected to printer (WxDxH)	In use	1,240 mm x 695 mm x 1,105 mm		
	In storage	1,200 mm x 695 mm x 1,105 mm		
Weight	Approximately 15 kg			

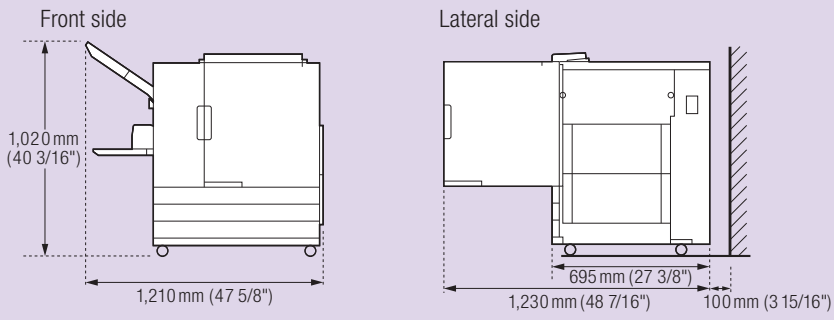
Optional output delivery trays

		RISO Auto-control Stacking Tray II	Wide Stacking Tray
Paper Size		Maximum: 320 mm x 432 mm Minimum: 100 mm x 148 mm	Maximum: 340 mm x 550 mm Minimum: 90 mm x 148 mm
Type		Auto stack guide control	Manual stack guide control
Tray Capacity *1		1,000 sheets	
Dimensions when connected to Printer (WxDxH)	In use	1,710 mm x 695 mm x 1,020 mm	
	In storage	1,335 mm x 695 mm x 990 mm	
Weight		Approximately 8 kg	Approximately 5 kg

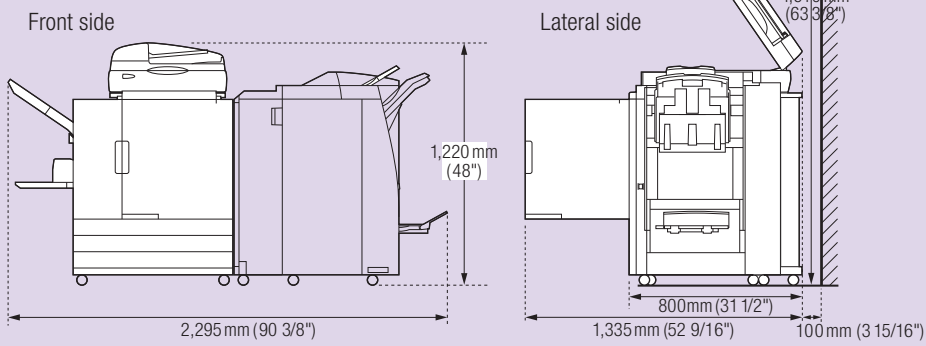
*1: When using paper larger than 320 mm x 432 mm, fold the stack guide before printing.

dimensions

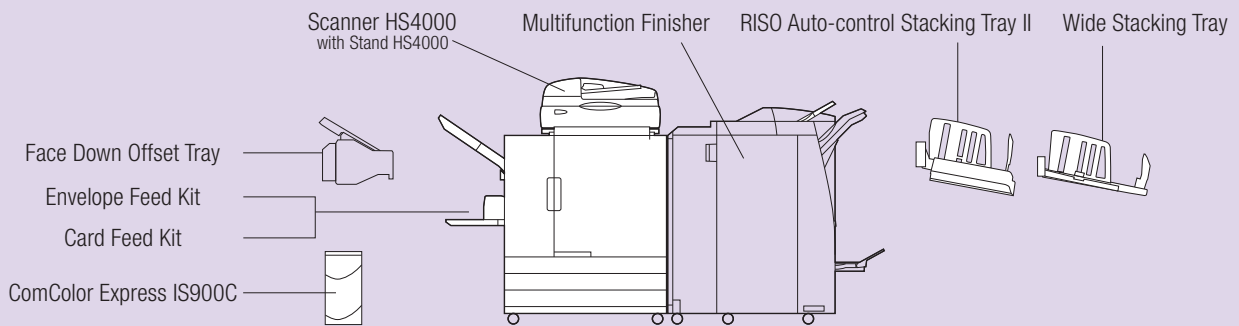
Comcolor main unit



Comcolor main unit and accessories



accessories





Riso (UK) Ltd
610 Centennial Park
Centennial Avenue
Elstree
Hertfordshire
WD6 3TJ

tel: 0800 917 2020
www.riso.co.uk