

DH, D1, DC, DM - CONNECTOR/GROUND/SPLICE LOCATION

8W91 - TABLE OF CONTENTS

CONNECTOR/GROUND/SPLICE LOCATION DESCRIPTION.....	PAGE 1
--	-----------

CONNECTOR/GROUND/SPLICE LOCATION DESCRIPTION

This section provides illustrations identifying connector, ground, and splice locations in the vehicle. Connector, ground and splice indexes are provided. Use the wiring diagrams in each section for connector, ground, and splice identification. Refer to the index for the proper figure number. For items that are not shown in this section N/S is placed in the Figure column.

CONNECTORS

[CLICK ON A FIGURE](#)

CONNECTOR NAME / NUMBER	COLOR	LOCATION	FIGURE
ACTUATOR-BLEND DOOR-DRIVER	GRAY	ON HVAC UNIT	40
ACTUATOR-BLEND DOOR-PASSENGER (DUAL ZONE)	GRAY	ON HVAC UNIT	40
ACTUATOR-ELECTRONIC TURBO (6.7L DIESEL)	LT. GRAY	LOWER RIGHT FRONT ENGINE	16
ACTUATOR-FUEL CONTROL (DIESEL)	BLACK	LEFT SIDE OF ENGINE	12,13
ACTUATOR-MODE DOOR 1 (PANEL TO FLOOR)	GRAY	ON HVAC UNIT	40
ACTUATOR-MODE DOOR 2 (DEFROST TO FLOOR)	GRAY	ON HVAC UNIT	40
ACTUATOR-RECIRCULATION DOOR	GRAY	ON HVAC UNIT	N/S
AIRBAG-DRIVER SQUIB 1	BLACK	ON STEERING WHEEL	42
AIRBAG-DRIVER SQUIB 2	BROWN	ON STEERING WHEEL	42
AIRBAG-PASSENGER SQUIB	BLACK	RIGHT FRONT OF INSTRUMENT PANEL	46
AIRBAG-SIDE CURTAIN-LEFT	YELLOW	TOP LEFT B-PILLAR	58,63
AIRBAG-SIDE CURTAIN-RIGHT	YELLOW	TOP RIGHT B-PILLAR	61,64
AMPLIFIER-RADIO C1	WHITE	TOP CENTER OF INSTRUMENT PANEL	46
AMPLIFIER-RADIO C2	WHITE	TOP CENTER OF INSTRUMENT PANEL	46
AMPLIFIER-SUBWOOFER (EXCEPT SRT)		LEFT SIDE BODY	58
ANTENNA CABLE-RADIO		RADIO ANTENNA	48
ANTENNA CABLE-SATELLITE		SATELLITE RECEIVER	59
ANTENNA CABLE-SATELLITE		SATELLITE ANTENNA CABLE	60
ANTENNA RADIO		RADIO ANTENNA	48
ANTENNA-SATELLITE		SATELLITE ANTENNA CABLE	60
ASSEMBLY-ERG VALVE	BLACK	RIGHT FRONT ENGINE	11
ASSEMBLY-SHIFT MOTOR/MODE SENSOR	DK. GRAY	LEFT FRONT SIDE OF TRANSFER CASE	21,24,26
ASSEMBLY-TRANSMISSION SOLENOID (RE)	LT. BROWN	LEFT SIDE OF TRANSMISSION	19,20
ASSEMBLY-TRANSMISSION SOLENOID C1 (RC)	-	LEFT SIDE OF TRANSMISSION	26
ASSEMBLY-TRANSMISSION SOLENOID C2 (RC)	-	LEFT SIDE OF TRANSMISSION	26
ASSEMBLY-TRANSMISSION SOLENOID/TRS (RFE)	BLACK	LEFT SIDE OF TRANSMISSION	21
ASSEMBLY-VARIABLE LINE PRESSURE		AUTOMATIC TRANSMISSION	19
ASSEMBLY-WINCH B(+) EYELET		FRONT FRAME	2

CONNECTOR NAME / NUMBER	COLOR	LOCATION	FIGURE
ASSEMBLY-WINCH (GROUND)	-	BEHIND FRONT BUMPER	2
AUXILLIARY PDC BOX (DC)	-	LEFT REAR ENGINE COMPARTMENT	34
BACKLIGHT-ELECTRIC HEATED (GROUND)	BLACK	RIGHT OF REAR WINDOW	65
BACKLIGHT-ELECTRIC HEATED (POWER)	BLACK	LEFT OF REAR WINDOW	58,63
BATTERY (DIESEL)	-	LEFT ENGINE COMPARTMENT	17
BATTERY (GAS)	-	LEFT ENGINE COMPARTMENT	34
BATTERY AUXILIARY (DIESEL)	-	RIGHT ENGINE COMPARTMENT	17
BATTERY NEGATIVE		FRONT FRAME	2
BATTERY NEGATIVE		BATTERY	34
BATTERY POSITIVE		BATTERY	34
BATTERY POSITIVE		FRONT FRAME	2
BATTERY POSITIVE		DIESEL BATTERIES	17
C102	GRAY	NEAR INTEGRATED POWER MODULE	30,34
C103	BLACK	LEFT REAR ENGINE COMPARTMENT	27,29,39
C108	BLACK	LOWER REAR ENGINE COMPARTMENT	14,20,25,26
C112 (DIESEL)	BLACK	LEFT SIDE ENGINE	13
C116 (DIESEL)	BLUE	LEFT SIDE OF VALVE COVER	12,14,15
C117 (DIESEL)	BLUE	LEFT SIDE OF VALVE COVER	12,14,15
C129		LEFT SIDE ENGINE COMPARTMENT	32
C129		CHASSIS	69
C130 (EXCEPT RC)	BLACK	REAR OF ENGINE	14,39
C130 (RC)	BLACK	REAR OF ENGINE	6,14,29,39
C131 (GAS)	BLACK	RIGHT REAR ENGINE	6, 29
C132 (DIESEL)	DK. GRAY	REAR ENGINE COMPARTMENT	39
C134 (POWER WAGON)	DK. GRAY	LEFT REAR ENGINE COMPARTMENT	32, 69
C135	BLACK	LEFT REAR ENGINE COMPARTMENT	32, 69
C136	NATURAL	FRONT OF LEFT INSTRUMENT PANEL	31,58,63
C137	NATURAL	LEFT KICK PANEL	31
C138	BLACK	LEFT FRONT ENGINE COMPARTMENT	30
C140	DK. GRAY	LEFT REAR ENGINE	9
C145 (DC)	-	LOWER LEFT REAR ENGINE	32,69
C160		BATTERY	34
C160		FRONT AXLE DISCONNECT JUMPER	35
C200	LT. GRAY	UNDER INSTRUMENT PANEL	46
C201	LT. GRAY	NEAR LEFT INSTRUMENT	46,53
C206	BLACK	RIGHT INSTRUMENT	46, 65
C219	GRAY	LEFT SIDE OF INSTRUMENT PANEL	31,42,46,49
C220	NATURAL	LEFT SIDE OF INSTRUMENT PANEL	42,46,49,58, 63

CONNECTOR NAME / NUMBER	COLOR	LOCATION	FIGURE
C221	LT. GRAY	LEFT UPPER INSTRUMENT	46,53
C301	WHITE	RIGHT KICK PANEL	56,62
C302	NATURAL	LEFT FRONT DOOR	56,62
C304	WHITE	LEFT SIDE OF INSTRUMENT	55,63
C305	NATURAL	AT LEFT FRONT DOOR	55,58,63
C306	WHITE	MIDDLE FRONT OF DOOR	57,63
C308	NATURAL	UNDER INSTRUMENT	46,62
C311	DK. GRAY	LEFT REAR OF FRAME	58,63,66
C313	-	AT DRIVER SEAT	66
C316	WHITE	AT PASSENGER SEAT	66,67
C318	-	CENTER CONSOLE	N/S
C319	LT. GRAY	BELOW CENTER BENCH OR CENTER CONSOLE	66
C320	NATURAL	RIGHT REAR DOOR	57,64
C323	GRAY	RIGHT FRONT CORNER	67
C327	BLACK	RIGHT REAR FENDER	70,72
C328	BLACK	LEFT REAR FENDER	70,72
C337	NATURAL	LEFT B-PILLAR	58,63
C340	BLACK	CENTER HEADLINER	54
CAPACITOR-IGNITION		RIGHT REAR ENGINE COMPARTMENT	6
CLUSTER C1	WHITE	REAR OF INSTRUMENT CLUSTER	50
CLUSTER C3	GRAY	REAR OF INSTRUMENT CLUSTER	50
CLUSTER C4	GRAY	REAR OF INSTRUMENT CLUSTER	50
CLUTCH-A/C COMPRESSOR (DIESEL)	BLACK	LOWER RIGHT FRONT ENGINE	9,12,16
CLUTCH-A/C COMPRESSOR (GAS)	BLACK	TOP FRONT ENGINE	5,8
COIL-IGNITION 1	BLACK	LEFT TOP SIDE OF INTAKE MANIFOLD	8,9
COIL-IGNITION 2	BLACK	RIGHT TOP SIDE OF INTAKE	5,11
COIL-IGNITION 3	BLACK	LEFT TOP SIDE OF INTAKE MANIFOLD	8,9
COIL-IGNITION 4	BLACK	RIGHT TOP SIDE OF INTAKE	5,11
COIL-IGNITION 5	BLACK	LEFT TOP SIDE OF INTAKE MANIFOLD	8,9
COIL-IGNITION 6	BLACK	RIGHT TOP SIDE OF INTAKE	5,11
COIL-IGNITION 7	BLACK	LEFT TOP SIDE OF INTAKE MANIFOLD	8,9
COIL-IGNITION 8	BLACK	RIGHT TOP SIDE OF INTAKE	5,11
CONTROL-A/C-HEATER C1	BLACK	CENTER OF INSTRUMENT PANEL	47
CONTROL-A/C-HEATER C2	BLACK	CENTER OF INSTRUMENT PANEL	47
DATA LINK CONNECTOR	BLACK	LEFT BOTTOM OF INSTRUMENT PANEL	49
DRIVE FAN RADIATOR	DK. GRAY	LOWER FRONT ENGINE	13,37
GENERATOR	BLACK	FRONT OF ENGINE	8,9,10,11,12,13
GENERATOR	-	TOP FRONT OF ENGINE	8,9,10,11,12,13

CONNECTOR NAME / NUMBER	COLOR	LOCATION	FIGURE
GENERATOR EYELET		LEFT GROUNDS AND STARTER	36
HEATER-FUEL (DIESEL)	BLUE	LEFT SIDE ENGINE	12,13
HEATER-INTAKE AIR (DIESEL)	-	ON ENGINE	N/S
HEATER-SEAT CUSHION-DRIVER	GREEN	UNDER DRIVER SEAT	66
HEATER-SEAT CUSHION-PASSENGER	GREEN	UNDER PASSENGER SEAT	67
HORN 1	BLACK	LEFT FRONT FENDER	38
HORN 2	BLACK	LEFT FRONT FENDER	38
INJECTOR-FUEL 1 (DIESEL)	-	UNDER FRONT OF VALVE COVER	9,15
INJECTOR-FUEL 1 (GAS)	BLACK	LEFT TOP ENGINE	8
INJECTOR-FUEL 2 (DIESEL)	-	UNDER FRONT OF VALVE COVER	15
INJECTOR-FUEL 2 (GAS)	BLACK	RIGHT TOP ENGINE	5,11
INJECTOR-FUEL 3 (DIESEL)	-	UNDER MIDDLE OF VALVE COVER	9,15
INJECTOR-FUEL 3 (GAS)	BLACK	RIGHT TOP ENGINE	8
INJECTOR-FUEL 4 (DIESEL)	-	UNDER MIDDLE OF VALVE COVER	15
INJECTOR-FUEL 4 (GAS)	BLACK	RIGHT TOP ENGINE	5,11
INJECTOR-FUEL 5 (DIESEL)	-	UNDER REAR OF VALVE COVER	9,15
INJECTOR-FUEL 5 (GAS)	BLACK	LEFT TOP ENGINE	8
INJECTOR-FUEL 6 (DIESEL)	-	UNDER REAR OF VALVE COVER	15
INJECTOR-FUEL 6 (GAS)	BLACK	RIGHT TOP ENGINE	5,11
INJECTOR-FUEL 7 (GAS)	BLACK	LEFT TOP ENGINE	8,9
INJECTOR-FUEL 8 (GAS)	BLACK	RIGHT TOP ENGINE	5,11
LAMP-BACKUP-LEFT		REAR CHASSIS	70
LAMP-BACKUP-RIGHT	-	RIGHT REAR BODY	70
LAMP-BAR-TAILGATE	BLACK	AT TAILGATE	70
LAMP-CENTER BEZEL	BLACK	CENTER STACK	47
LAMP-CENTER CONSOLE	-	LOWER BUCKET OF CENTER CONSOLE	N/S
LAMP-CHMSL-AFTERMARKET	-	LEFT REAR CHASSIS	70
LAMP CLEARANCE 1	BLACK	LEFT ROOF	65
LAMP CLEARANCE 2	BLACK	LEFT-CENTER ROOF	65
LAMP CLEARANCE 3	BLACK	CENTER ROOF	65
LAMP CLEARANCE 4	BLACK	RIGHT-CENTER ROOF	65
LAMP CLEARANCE 5	BLACK	RIGHT ROOF	65
LAMP-DOME-REAR	BLACK	CENTER OF HEADLINER	53
LAMP-FENDER-FRONT LEFT (DUAL WHEELS)	BLACK	FRONT OF LEFT REAR FENDER	72
LAMP-FENDER-FRONT RIGHT (DUAL WHEELS)	BLACK	REAR OF LEFT REAR FENDER	72
LAMP-FENDER-REAR LEFT (DUAL WHEELS)	BLACK	FRONT OF RIGHT REAR FENDER	72
LAMP-FENDER-REAR RIGHT (DUAL WHEELS)	BLACK	REAR OF RIGHT REAR FENDER	72
LAMP-FOG-LEFT FRONT	GRAY	LEFT FRONT FASCIA	N/S
LAMP-FOG-RIGHT FRONT	GRAY	RIGHT FRONT FASCIA	N/S

CONNECTOR NAME / NUMBER	COLOR	LOCATION	FIGURE
LAMP-GLOVE BOX	BLACK	AT GLOVE BOX	46
LAMP-HEADLAMP-LEFT	DK. GREEN	AT HEADLAMP	30
LAMP-HEADLAMP-RIGHT	DK. GREEN	AT HEADLAMP	3,29
LAMP-HIGH MOUNTED STOP/CARGO	WHITE	REAR OF CAB	53,68
LAMP-LICENSE-LEFT	BLACK	AT REAR BUMPER	70
LAMP-LICENSE-RIGHT	BLACK	AT REAR BUMPER	70
LAMP-PARK/TURN-LEFT FRONT	BROWN	AT LAMP	30
LAMP-PARK/TURN-RIGHT FRONT	BROWN	AT LAMP	3,29
LAMP-READING-FRONT	BLACK	CENTER OF HEADLINER	53
LAMP-TAILSTOP/TURN-LEFT	BLACK	LEFT REAR PICKUP BOX	70,71
LAMP-TAILSTOP/TURN-RIGHT	BLACK	RIGHT REAR PICKUP BOX	70,71
LAMP-UNDERHOOD	BLACK	LEFT HOOD	38
LAMP-VANITY-LEFT	BLACK	LEFT HEADLINER	53
LAMP-VANITY-RIGHT	BLACK	RIGHT HEADLINER	53
LATCH-DOOR-DRIVER	BLACK	LEFT FRONT DOOR	55
LATCH-DOOR-LEFT REAR	BLACK	LEFT REAR DOOR	57
LATCH-DOOR-PASSENGER	BLACK	RIGHT FRONT DOOR	56
LATCH-DOOR-RIGHT REAR	BLACK	RIGHT REAR DOOR	57
LIGHTER-CIGAR	GRAY	REAR OF CIGAR LIGHTER	44,47
MEDIA SYSTEM-MONITOR/DVD	BLACK	CENTER HEADLINER	54
MIRROR-INSIDE REARVIEW C1	BLACK	TOP CENTER OF WINDSHIELD	65
MIRROR-INSIDE REARVIEW C2	BLACK	A-PILLAR-RIGHT SIDE	65
MIRROR-OUTSIDE REARVIEW-DRIVER	BLACK	AT MIRROR	55
MIRROR-OUTSIDE REARVIEW-PASSENGER	BLACK	AT MIRROR	56
MODULE-ANTI-LOCK BRAKES	-	LEFT FENDER SIDE SHIELD	30,32
MODULE AXLE DISCONNECT -FRONT		FRONT AXLE DISCONNECT JUMPER	35
MODULE-BRAKE PROVISION	BLUE	LEFT KICK PANEL	31
MODULE-ELECTRONIC OVERHEAD	BLACK	IN OVERHEAD CONSOLE	53
MODULE-ENGINE CONTROL C1	BLACK	LEFT ENGINE COMPARTMENT	12,13,18
MODULE-ENGINE CONTROL C2	BLACK	LEFT ENGINE	13,18
MODULE-FINAL DRIVE CONTROL	-	RIGHT FRONT ENGINE	28
MODULE-FUEL PUMP	LT.GRAY	AT FUEL TANK	69,71
MODULE-HANDS FREE	DK. GRAY	RIGHT INSTRUMENT PANEL	46
MODULE-OCCUPANT RESTRAINT CONTROLLER C1	-	LEFT FENDER SIDE SHIELD	51
MODULE-OCCUPANT RESTRAINT CONTROLLER C2	-	LEFT FENDER SIDE SHIELD	58,63
MODULE-POWERTRAIN CONTROL C1	BLACK	RIGHT REAR ENGINE	6
MODULE-POWERTRAIN CONTROL C2	BLACK/ORANGE	RIGHT REAR ENGINE	6
MODULE-POWERTRAIN CONTROL C3	BLACK/NATURAL	RIGHT REAR ENGINE	29
MODULE-POWERTRAIN CONTROL C4	BLACK/GREEN	RIGHT REAR ENGINE	6

CONNECTOR NAME / NUMBER	COLOR	LOCATION	FIGURE
MODULE-REMOTE THROTTLE PROVISION (6.7L DIESEL)	LT. GRAY	LOWER LEFT REAR ENGINE COMPARTMENT	14
MODULE-SENTRY KEY REMOTE ENTRY/WCM		STEERING COLUMN	41,42,47
MODULE-STEERING CONTROL C1	WHITE	STEERING COLUMN	42,47
MODULE-STEERING CONTROL C2	YELLOW	ON STEERING WHEEL	43,47
MODULE-STEERING CONTROL C3	YELLOW	ON STEERING WHEEL	43
MODULE-STEERING CONTROL C4	WHITE	STEERING COLUMN	42
MODULE TOTALLY INTEGRATED POWER	-	RIGHT SIDE OF TIPM	33
MODULE TOTALLY INTEGRATED POWER C1	LT. GRAY	LEFT FRONT FENDER	33
MODULE TOTALLY INTEGRATED POWER C10	LT. GRAY	LEFT FRONT FENDER	33
MODULE TOTALLY INTEGRATED POWER C2	BLACK	LEFT FRONT FENDER	33
MODULE TOTALLY INTEGRATED POWER C3	BLACK	LEFT FRONT FENDER	33
MODULE TOTALLY INTEGRATED POWER C4	LT. GRAY	LEFT FRONT FENDER	33
MODULE TOTALLY INTEGRATED POWER C5	BLACK	LEFT FRONT FENDER	33
MODULE TOTALLY INTEGRATED POWER C6	BROWN	LEFT FRONT FENDER	33
MODULE TOTALLY INTEGRATED POWER C7	BLUE	LEFT FRONT FENDER	33
MODULE TOTALLY INTEGRATED POWER C8	BROWN	LEFT FRONT FENDER	33
MODULE TOTALLY INTEGRATED POWER C9	BLUE	LEFT FRONT FENDER	33
MODULE TOTALLY INTEGRATED POWER EYELET		BATTERY	34
MODULE-TRANSMISSION CONTROL C1	-	BELOW LEFT INSTRUMENT PANEL	31
MODULE-TRANSMISSION CONTROL C2	-	BELOW LEFT INSTRUMENT PANEL	31
MODULE-TRANSMISSION CONTROL C3	-	BELOW LEFT INSTRUMENT PANEL	31
MODULE-WIRELESS CONTROL	BLACK	ON STEERING COLUMN	N/S
MOTOR-ADJUSTABLE PEDALS	LT.GRAY	LEFT OF INSTRUMENT PANEL	N/S
MOTOR-BLOWER	BLACK	BEHIND RIGHT SIDE OF INSTRUMENT PANEL	40
MOTOR-CONDENSER FAN	BLACK	NEAR CONDENSER	31
MOTOR-POWER SLIDING BACKLITE	-	BELOW CENTER OF BACKLITE	64
MOTOR-SEAT ADJUSTER DRIVER HORIZONTAL	BLACK	AT DRIVER SEAT	66
MOTOR-SEAT ADJUSTER-FRONT DRIVER VERTICAL	BLACK	AT DRIVER SEAT	66
MOTOR-SEAT ADJUSTER-PASSENGER VERTICAL	BLACK	AT PASSENGER SEAT	67
MOTOR-SEAT ADJUSTER-PASSENGER HORIZONTAL	BLACK	AT PASSENGER SEAT	67
MOTOR-SEAT ADJUSTER-REAR DRIVER VERTICAL	BLACK	AT DRIVER SEAT	66
MOTOR-SEAT ADJUSTER-REAR PASSENGER VERTICAL	BLACK	AT PASSENGER SEAT	67
MOTOR-WINDOW-DRIVER	BLACK	IN PASSENGER DOOR AT MOTOR	55
MOTOR-WINDOW-LEFT REAR	BLACK	IN DOOR AT MOTOR	57
MOTOR-WINDOW-PASSENGER	BLACK	IN PASSENGER DOOR AT MOTOR	56
MOTOR-WINDOW-RIGHT REAR	BLACK	IN DOOR AT MOTOR	57
MOTOR-WIPER-FRONT	-	LEFT SIDE OF COWL	30,32
MOTOR/MODULE-SUNROOF	-	CENTER HEADLINER	N/S

CONNECTOR NAME / NUMBER	COLOR	LOCATION	FIGURE
PORT-DIAGNOSTIC (6.7L DIESEL)	-	LEFT REAR ENGINE COMPARTMENT	14
PORT-UPFITTERS	-	BELOW LEFT INSTRUMENT PANEL	31
POWER OUTLET	GRAY	CENTER OF INSTRUMENT PANEL	47
POWER OUTLET-CONSOLE	GRAY	IN CENTER CONSOLE	N/S
POWER OUTLET-INSTRUMENT PANEL	-	LOWER BUCKET OF INSTRUMENT PANEL	N/S
PUMP-WASHER-WINDSHIELD	BLACK	AT WASHER FLUID RESEVOIR	29
RADIO	-	AT ANTENNA BASE	N/S
RADIO	-	RIGHT KICK PANEL	N/S
RADIO	-	BEHIND PASSENGER SEAT	N/S
RADIO	-	CENTER REAR ROOF	N/S
RADIO C1 (BASE)	BLACK	REAR OF RADIO	47
RADIO C1 (PREMIUM)	BLACK	REAR OF RADIO	47
RADIO C2 (PREMIUM)	GRAY	REAR OF RADIO	47
RECEIVER-SATELLITE	BLACK	REAR CAB FLOOR	46
RECEIVER-SATELLITE	-	AT RECEIVER ON REAR CAB FLOOR	46
RECEIVER-SATELLITE ANTENNA		SATELLITE RECEIVER	59
RELAY-INTAKE AIR HEATER	-	RIGHT ENGINE COMPARTMENT	4
RELAY-SMART POWER	-	FRONT OF BATTERY TRAY	33
RELAY-TRAILER TOW DAMPING		LEFT FRONT ENGINE COMPARTMENT	33
RELAY-TRANSMISSION	-	HEADLAMP AND DASH HARNESS	N/S
RESISTOR-BLOWER MOTOR	BLACK	BEHIND RIGHT SIDE OF INSTRUMENT PANEL	40
SEAT BELT-TENSION DRIVER		LEFT SIDE BODY	63
SEAT BELT-TENSION PASSENGER		RIGHT SIDE BODY	61,64
SEAT BELT-TENSION REDUCER-DRIVER	NATURAL	LEFT B-PILLAR	58
SENSOR-ACCELERATOR PEDAL POSITION	BLACK	UNDER BATTERY TRAY	31
SENSOR-AMBIENT AIR TEMPERATURE	BLACK	LEFT REAR OF HOOD	30
SENSOR-BATTERY TEMPERATURE	BLACK	BELOW BATTERY TRAY	30,32
SENSOR-BRAKE FLUID LEVEL	BLACK	NEAR MASTER CYLINDER	30,32
SENSOR-CAMSHAFT POSITION (DIESEL)	NATURAL	LOWER LEFT FRONT ENGINE	11,13
SENSOR-CAMSHAFT POSITION (GAS)	GRAY	RIGHT FRONT SIDE OF ENGINE	5
SENSOR-CRANKCASE (6.7L DIESEL)	LT. GRAY	TOP OF VALVE COVER	14
SENSOR-CRANKSHAFT POSITION (DIESEL)	NATURAL	LOWER LEFT FRONT ENGINE	11,13
SENSOR-CRANKSHAFT POSITION (GAS)	BLACK	RIGHT REAR OF ENGINE BLOCK	5,19
SENSOR-DYNAMICS		BASE OF CENTER STACK	52
SENSOR-ENGINE COOLANT TEMPERATURE (DIESEL)	BLACK	TOP RIGHT FRONT ENGINE	11,13
SENSOR-ENGINE COOLANT TEMPERATURE (GAS)	BLACK	FRONT OF ENGINE	8
SENSOR-EGR TEMPERATURE		ENGINE LEFT SIDE	14
SENSOR-EVAPORATOR TEMPERATURE	BLACK	RIGHT SIDE OF HVAC	40

CONNECTOR NAME / NUMBER	COLOR	LOCATION	FIGURE
SENSOR-EXHAUST PRESSURE 1/1 (6.7L DIESEL)	LT.GRAY	UPPER RIGHT FRONT ENGINE	N/S
SENSOR-EXHAUST PRESSURE 1/2 (6.7L DIESEL)	-	REAR OF TRANSMISSION	25,26
SENSOR-EXHAUST TEMPERATURE 1/1 (6.7L DIESEL)	-	EXHAUST PIPE FRONT	26
SENSOR-EXHAUST TEMPERATURE 1/2 (6.7L DIESEL)	-	EXHAUST PIPE REAR	26
SENSOR-EXHAUST TEMPERATURE 1/3 (6.7L DIESEL)	-	EXHAUST PIPE DOWNSTREAM	26
SENSOR-FRONT IMPACT-LEFT		LEFT SIDE ENGINE COMPARTMENT	30
SENSOR-FRONT IMPACT-RIGHT		RIGHT SIDE ENGINE COMPARTMENT	29
SENSOR-FUEL RAIL PRESSURE (DIESEL)	BLACK	LEFT REAR TOP OF ENGINE	14,18
SENSOR-INPUT SPEED	BLACK	LEFT SIDE OF TRANSMISSION	19,21,26
SENSOR-INTAKE AIR TEMPERATURE	DK. GRAY	ON INTAKE MANIFOLD	7,9,11
SENSOR-KNOCK 1 (3.7L/5.7L)	BLACK	LEFT REAR OF ENGINE	9,19,22
SENSOR-KNOCK 2 (3.7L/5.7L)	BLACK	RIGHT REAR OF ENGINE	11,19,22
SENSOR-LINE PRESSURE	BLACK	RIGHT REAR OF TRANSMISSION	23
SENSOR-MANIFOLD ABSOLUTE PRESSURE	GRAY	LEFT FRONT OF INTAKE MANIFOLD	8,9,11
SENSOR-MASS AIR FLOW (6.7L DIESEL)	BLACK	ON AIR CLEANER HOUSING	13
SENSOR-OIL PRESSURE (5.7L LIGHT DUTY)	BLACK	LOWER RIGHT FRONT ENGINE	11
SENSOR-OIL TEMPERATURE	BLACK	LOWER RIGHT FRONT ENGINE	11
SENSOR-OUTPUT SPEED	BLACK	LEFT SIDE OF TRANSMISSION	19,22
SENSOR-OXYGEN 1/1 (3.7L)	BLACK	LEFT FRONT OF SIDE OF TRANSMISSION	19,22
SENSOR-OXYGEN 1/1 (4.7L)	BLACK	LEFT FRONT OF SIDE OF TRANSMISSION	21,22
SENSOR-OXYGEN 1/1 (5.7L DIESEL)	BLACK	LEFT FRONT OF SIDE OF TRANSMISSION	21,24
SENSOR-OXYGEN 1/2 (3.7L)	BLACK	LEFT FRONT OF SIDE OF TRANSMISSION	19,22
SENSOR-OXYGEN 1/2 (4.7L)	BLACK	LEFT FRONT OF SIDE OF TRANSMISSION	21,22
SENSOR-OXYGEN 1/2 (5.7L DIESEL)	BLACK	LEFT FRONT OF SIDE OF TRANSMISSION	21
SENSOR-OXYGEN 2/1 (3.7L)	BLACK	LEFT FRONT OF SIDE OF TRANSMISSION	19,22
SENSOR-OXYGEN 2/1 (4.7L)	BLACK	LEFT FRONT OF SIDE OF TRANSMISSION	22
SENSOR-OXYGEN 2/1 (5.7L DIESEL)	BLACK	LEFT FRONT OF SIDE OF TRANSMISSION	23
SENSOR-OXYGEN 2/2 (3.7L)	BLACK	LEFT FRONT OF SIDE OF TRANSMISSION	19,22
SENSOR-OXYGEN 2/2 (4.7L)	BLACK	LEFT FRONT OF SIDE OF TRANSMISSION	22
SENSOR-OXYGEN 2/2 (5.7L DIESEL)	BLACK	LEFT FRONT OF SIDE OF TRANSMISSION	23,24
SENSOR-PROP SHAFT SPEED-FRONT		LEFT TRANSMISSION	21
SENSOR-PROP SHAFT SPEED-REAR		LEFT TRANSMISSION	21
SENSOR-SEAT TRACK POSITION-DRIVER		CENTER AND DRIVER SEAT	66
SENSOR-SIDE IMPACT-LEFT 1	YELLOW	LEFT B-PILLAR	58,63
SENSOR-SIDE IMPACT PRESSURE	YELLOW	RIGHT B-PILLAR	61,64

CONNECTOR NAME / NUMBER	COLOR	LOCATION	FIGURE
SENSOR-STEERING ANGLE		LEFT STEERING COLUMN	42
SENSOR-TEMPERATURE/PRESSURE INLET	DK. GRAY	ON AIR CLEANER HOUSING	4,12,13
SENSOR-TEMPERATURE/PRESSURE MAP (6.7L DIESEL)	DK. GRAY	LEFT UPPER REAR ENGINE	14
SENSOR-TRANSFER CASE POSITION (MANUAL TRANSFER CASE)	BLACK	TOP OF TRANSFER CASE	22,25
SENSOR-TRANSMISSION RANGE	BLACK	LEFT SIDE OF TRANSMISSION	19,20,26
SENSOR-TRANSMISSION TEMPERATURE	-	RIGHT SIDE OF TRANSMISSION	26
SENSOR-TURBO SPEED (6.7L DIESEL)	BLACK	LOWER RIGHT FRONT ENGINE	16
SENSOR-WATER IN FUEL (DIESEL)	PINK	LEFT SIDE ENGINE	14,18
SENSOR-WHEEL SPEED-ABS-LEFT FRONT	BLACK	LEFT REAR LOWER SIDE OF ENGINE COMPARTMENT	38
SENSOR-WHEEL SPEED-ABS-LEFT REAR		REAR CHASSIS	70
SENSOR-WHEEL SPEED-ABS-REAR	BLACK	TOP OF REAR DIFFERENTIAL	70
SENSOR-WHEEL SPEED-ABS-RIGHT REAR		REAR CHASSIS	70
SENSOR-WHEEL SPEED-ABS-RIGHT FRONT	BLACK	RIGHT REAR LOWER SIDE OF ENGINE COMPARTMENT	29
SOLENOID-BRAKE TRANSMISSION SHIFT INTERLOCK	BLACK	NEAR STEERING COLUMN	42,47
SOLENOID-EVAP PURGE	BLACK	LEFT FENDER SIDE SHIELD	32
SOLENOID-LOCKER-FRONT	BLACK	LEFT REAR ENGINE	36
SOLENOID-LOCKER-REAR	BLACK	AT REAR DIFFERENTIAL	70
SOLENOID-SHORT RUNNER VALVE		ENGINE HARNESS	N/S
SOLENOID-VARIABLE CAMSHAFT TIMING		MDS JUMPER	N/S
SOLENOID-WASTEGATE	-	RIGHT FRONT ENGINE	12
SPEAKER-INSTRUMENT PANEL-CENTER	WHITE	CENTER OF INSTRUMENT	46,47
SPEAKER-INSTRUMENT PANEL-LEFT	BLACK	LEFT SIDE OF INSTRUMENT PANEL	46
SPEAKER-INSTRUMENT PANEL-RIGHT	BLACK	RIGHT SIDE OF INSTRUMENT PANEL	46
SPEAKER-LEFT FRONT DOOR	WHITE	IN LEFT FRONT DOOR	55
SPEAKER-LEFT REAR (QUAD CAB)	WHITE	IN LEFT REAR DOOR	57
SPEAKER-LEFT REAR (STANDARD CAB)	WHITE	IN LOWER LEFT B-PILLAR	57,58
SPEAKER-RIGHT FRONT DOOR	WHITE	IN RIGHT FRONT DOOR	56
SPEAKER-RIGHT REAR (QUAD CAB)	WHITE	IN RIGHT REAR DOOR	57
SPEAKER-RIGHT REAR (STANDARD CAB)	WHITE	IN LOWER RIGHT B-PILLAR	57,61
STARTER (DIESEL)	-	LEFT LOWER REAR ENGINE	14,36
STARTER (DIESEL)	LT. GRAY	LEFT LOWER REAR ENGINE	14,36
STARTER (GAS)	NATURAL	LEFT ENGINE	36
STARTER (GAS)	NATURAL	LEFT REAR OF ENGINE	36
STARTER EYELET		ENGINE, LEFT SIDE	14
STARTER EYELET		LEFT GROUNDS AND STARTER	36
SWITCH-ADJUSTABLE PEDALS	BLUE	LEFT OF INSTRUMENT	44,50
SWITCH-BACKUP LAMP	BLACK	LEFT REAR OF TRANSMISSION	22,24,25

CONNECTOR NAME / NUMBER	COLOR	LOCATION	FIGURE
SWITCH-CLUTCH INTERLOCK	GREEN	AT CLUTCH PEDAL	31
SWITCH-CLUTCH INTERLOCK/UPSTOP (6.7L DIESEL)	-	BELOW LEFT INSTRUMENT PANEL	31
SWITCH-DISCONNECTING STABILIZER BAR	-	BOTTOM OF CENTER STACK	N/S
SWITCH-DOOR LOCK PASSENGER	NATURAL	IN RIGHT FRONT DOOR	56
SWITCH-ESP		LEFT AND CENTER INSTRUMENT PANEL	47
SWITCH-EVAP SYSTEM MONITOR	BLACK	NEAR FUEL TANK AT EVAP CANISTER	23,69
SWITCH-EXHAUST BRAKE	-	CENTER STACK	47
SWITCH-HEADLAMP	BLACK	LEFT SIDE OF INSTRUMENT PANEL	44,50
SWITCH-HEATED SEAT-DRIVER	DK. GRAY	CENTER OF INSTRUMENT PANEL	45,47
SWITCH-HEATED SEAT-PASSENGER	GREEN	CENTER OF INSTRUMENT PANEL	45,47
SWITCH-HOOD AJAR	BLACK	RIGHT FRONT ENGINE COMPARTMENT	N/S
SWITCH-HORN	WHITE	IN STEERING WHEEL	N/S
SWITCH-IGNITION	BLACK	STEERING COLUMN	47
SWITCH-MULTIFUNCTION	BLACK	ON STEERING COLUMN	42,47
SWITCH-OIL PRESSURE	BLACK	LOWER LEFT SIDE OF ENGINE	8,12,14
SWITCH-PARKING BRAKE	GRAY	AT PARK BRAKE	31
SWITCH-PASSENGER AIR BAG ON/OFF	BLACK	RIGHT SIDE OF INSTRUMENT	45,47
SWITCH-POWER SLIDING BACKLITE	-	CENTER STACK	45,47
SWITCH-POWER WINDOW-LEFT REAR	BLUE	IN DOOR AT MOTOR	57
SWITCH-POWER WINDOW-PASSENGER	BLUE	PASSENGER DOOR	56
SWITCH-POWER WINDOW-RIGHT REAR	BLUE	IN DOOR	57
SWITCH-PTO	-	NEAR G107	N/S
SWITCH-REMOTE RADIO-LEFT	BLACK	AT STEERING WHEEL	43
SWITCH-REMOTE RADIO-RIGHT	BLACK	AT STEERING WHEEL	43
SWITCH-SEAT BELT DRIVER	DK. GRAY	LEFT B-PILLAR	66
SWITCH-SEAT-DRIVER	BLACK	AT DRIVER SEAT	N/S
SWITCH-SEAT-PASSENGER	BLACK	AT PASSENGER SEAT	N/S
SWITCH-SECURITY HOOD		RIGHT SIDE ENGINE COMPARTMENT	29
SWITCH-SPEED CONTROL-LEFT	BLACK	AT STEERING WHEEL	N/S
SWITCH-SPEED CONTROL-RIGHT	BLACK	AT STEERING WHEEL	N/S
SWITCH-STOP LAMP	BLACK	TOP OF BRAKE PEDAL ARM	41
SWITCH-SUNROOF	BLACK	FRONT CENTER OF HEADLINER	53
SWITCH-TIRE PRESSURE MONITOR	-	RIGHT CENTER INSTRUMENT PANEL	47
SWITCH-TOW/HAUL OVERDRIVE OFF	NATURAL	CENTER OF INSTRUMENT PANEL	47
SWITCH-TRANSFER CASE SELECTOR	BLACK	CENTER OF INSTRUMENT PANEL	20,47
SWITCH-TRANSFER CASE SELECTOR		CENTER STACK	45
SWITCH-WASHER FLUID LEVEL		RIGHT SIDE ENGINE COMPARTMENT	29
SWITCH-WASHER FLUID LEVEL	LT.GRAY	AT RESERVOIR	N/S

CONNECTOR NAME / NUMBER	COLOR	LOCATION	FIGURE
SWITCH-WINCH	-	BEHIND FRONT BUMPER	1
SWITCH-WINDOW/DOOR LOCK-DRIVER C1	BLUE	IN LEFT FRONT DOOR	55
SWITCH-WINDOW/DOOR LOCK-DRIVER C2	BLUE	IN LEFT FRONT DOOR	55
THROTTLE BODY	BLACK	TOP OF ENGINE	8,10,11
TRANSDUCER-A/C PRESSURE (DIESEL)	LT. GRAY	LOWER RIGHT FRONT OF ENGINE	9,12,16
TRANSDUCER-A/C PRESSURE (GAS)	GRAY	TOP FRONT OF ENGINE AT A/C	8
TRANSPONDER-TIRE PRESSURE-LEFT FRONT	-	LEFT SIDE ENGINE COMPARTMENT	32
TRANSPONDER-TIRE PRESSURE-RIGHT FRONT	LT. GRAY	RIGHT SIDE ENGINE COMPARTMENT	29
UPFITTER ACCESSORIES-CHASSIS LEFT	-	LEFT REAR CHASSIS FRAME RAIL NEAR TAIL LAMP T/O	71
UPFITTER ACCESSORIES-CHASSIS RIGHT	-	RIGHT REAR CHASSIS	71
UPFITTER ACCESSORIES-ENGINE COMPARTMENT	-	LEFT REAR ENGINE COMPARTMENT	32
UPFITTER ACCESSORIES-JUMPER KIT	-	PART OF UPFITTERS KIT IN GLOVE BOX	N/S
VALVE-ERG AIRFLOW CONTROL (6.7L DIESEL)	BLACK	LEFT TOP ENGINE	14
WIRING TRAILER TOW-7 WAY		REAR CHASSIS	70
WIRING TRAILER TOW-7 WAY		REAR BUMPER	73
WIRING-TRAILER TOW BOX OFF	BLACK	AT TRAILER HITCH	70
G100		BATTERY GROUND LEFT FRONT ENGINE	34
G101		BATTERY GROUND LEFT FRONT ENGINE	13,18,36
G102		BATTERY GROUND LEFT FRONT	18,36
G104		LEFT FRONT ENGINE COMPARTMENT	30
G105		RIGHT BATTERY GROUND CABLE ON RIGHT SIDE OF ENGINE	N/S
G106		LEFT REAR ENGINE COMPARTMENT	30
G107		RIGHT REAR ENGINE COMPARTMENT	6
G111		RIGHT ENGINE COMPARTMENT NEAR RIGHT BATTERY NEGATIVE POST	17
G114		RIGHT SIDE ENGINE COMPARTMENT	12
G120		LEFT SIDE ENGINE	12,14
G121		LEFT SIDE ENGINE	12,14
G201		LEFT INSTRUMENT PANEL	46
G202		CENTER OF INSTRUMENT PANEL	46
G203		RIGHT SIDE OF INSTRUMENT PANEL	46
G301		LEFT FRONT BODY	58,63
G302		LEFT FRONT BODY	58,63
G303		BELOW RIGHT SIDE OF REAR WINDOW	65
G304		CENTER BODY	58,63
S011		LEFT ENGINE COMPARTMENT	30
S012		LEFT ENGINE COMPARTMENT	30

CONNECTOR NAME / NUMBER	COLOR	LOCATION	FIGURE
S016		LEFT REAR ENGINE COMPARTMENT	30
S021		REAR ENGINE COMPARTMENT	27,39
S022		LEFT ENGINE COMPARTMENT	30
S023		LEFT REAR ENGINE COMPARTMENT	30
S024		LEFT ENGINE COMPARTMENT	30
S025		LEFT REAR ENGINE COMPARTMENT	30
S026		LEFT REAR ENGINE COMPARTMENT	30
S027			N/S
S030		LEFT REAR ENGINE	N/S
S031		LEFT REAR ENGINE	N/S
S032		LEFT SIDE ENGINE	14
S033		LEFT SIDE ENGINE	14
S035		LEFT SIDE ENGINE	14
S036		LEFT SIDE ENGINE	14
S040		RIGHT FRONT ENGINE	13
S041		RIGHT FRONT ENGINE	13
S042		LEFT FRONT ENGINE	13
S043		LEFT FRONT ENGINE	13
S044		LEFT FRONT ENGINE	13
S045		LEFT SIDE ENGINE	13
S046		LEFT SIDE ENGINE	13
S050		IN ECM C1 T/O	13,53
S100		LOWER RIGHT REAR ENGINE COMPARTMENT IN FINAL DRIVE CONTROL MODULE T/O	28
S102		LEFT SIDE ENGINE COMPARTMENT	30,32
S103		LEFT REAR OF ENGINE	30,39
S104		FRONT FASCIA IN FOG LAMP JUMPER	N/S
S105		FRONT FASCIA	N/S
S106		LEFT REAR OF ENGINE	30,39
S108		IN TRANSMISSION HARNESS	N/S
S109		REAR OF TRANSMISSION NEAR POST-CATALYTIC TEMPERATURE SENSOR T/O	26
S110		LEFT REAR ENGINE COMPARTMENT	34
S111		LEFT REAR ENGINE COMPARTMENT	32
S112		RIGHT REAR OF ENGINE	5,6
S115		LEFT REAR ENGINE COMPARTMENT	N/S
S119		REAR OF ENGINE	11
S120		LEFT FRONT FENDER	30
S123		LEFT REAR ENGINE COMPARTMENT	30,39

CONNECTOR NAME / NUMBER	COLOR	LOCATION	FIGURE
S125		RIGHT REAR ENGINE COMPARTMENT	6
S130		RIGHT AND FRONT ENGINE	11
S132		REAR OF ENGINE	5,6
S133		LEFT REAR OF ENGINE	6,20
S136		LEFT FRONT FENDER	30
S137		LEFT REAR OF ENGINE COMPARTMENT	29
S139		REAR ENGINE COMPARTMENT	29
S142		LEFT SIDE OF ENGINE	5,11
S144		TOP FRONT OF TRANSMISSION	20
S145		LEFT FRONT FENDER	30
S148		TOP FRONT OF TRANSMISSION	5,11
S149		LEFT REAR OF ENGINE	8,9
S150		TOP CENTER OF ENGINE	6
S151		LEFT SIDE ENGINE COMPARTMENT	30
S152		LEFT SIDE ENGINE COMPARTMENT	30
S153		LEFT SIDE ENGINE COMPARTMENT	30
S154		IN T/O FOR PCM C1	6
S155		LEFT SIDE ENGINE COMPARTMENT	30
S159		NEAR T/O FOR ENGINE CONTROL MODULE	N/S
S164		LEFT FRONT ENGINE	13,18
S165		LEFT FRONT ENGINE	13,18
S168		RIGHT REAR OF ENGINE	11
S169		RIGHT REAR ENGINE	5,11
S170		IN T/O FOR ENGINE CONTROL MODULE	5,12,18
S173		LEFT FRONT ENGINE	13
S176		LEFT SIDE ENGINE NEAR T/O FOR FUEL CONTROL ACTUATOR	12
S178		IN T/O FOR PCM C1	6
S180		LEFT FRONT DIESEL ENGINE	12
S185		LEFT REAR ENGINE COMPARTMENT	30
S185		LEFT REAR ENGINE COMPARTMENT	30
S189		LEFT FRONT ENGINE	12
S191		LEFT REAR ENGINE COMPARTMENT	34
S192		REAR ENGINE COMPARTMENT	27
S194		LEFT FRONT ENGINE COMPARTMENT	30
S199		ON INTAKE AIR HEATER JUMPER	N/S
S200		LEFT INSTRUMENT PANEL	42
S201		LEFT SIDE OF INSTRUMENT PANEL	46
S202		LEFT SIDE OF INSTRUMENT PANEL	42,46

CONNECTOR NAME / NUMBER	COLOR	LOCATION	FIGURE
S203		LEFT SIDE OF INSTRUMENT PANEL	46
S204		LEFT SIDE OF INSTRUMENT PANEL	46
S205		CENTER OF INSTRUMENT PANEL	46
S209		LEFT OF INSTRUMENT PANEL	46
S211		LEFT CENTER INSTRUMENT PANEL	46
S213		LEFT CENTER INSTRUMENT PANEL	46
S214		LEFT CENTER INSTRUMENT PANEL	46
S215		CENTER INSTRUMENT PANEL	46
S217		CENTER INSTRUMENT PANEL	46
S219			N/S
S221		CENTER OF INSTRUMENT PANEL	46
S222		LEFT INSTRUMENT PANEL	46
S223		RIGHT CENTER INSTRUMENT PANEL	46
S224		RIGHT SIDE OF HVAC	N/S
S226		RIGHT SIDE OF HVAC	40
S227		CENTER INSTRUMENT	46,47
S228		ON STEERING COLUMN	42
S229		CENTER INSTRUMENT PANEL	47
S232		CENTER INSTRUMENT PANEL	47
S233		CENTER INSTRUMENT PANEL IN RADIO T/O	47
S234		LEFT INSTRUMENT PANEL	46
S235			N/S
S237		ON STEERING COLUMN	42
S241		CENTER INSTRUMENT PANEL	46
S245		LEFT INSTRUMENT PANEL	46
S251			N/S
S301		LEFT HEADLINER	53
S303		FRONT CENTER ROOF	65
S304		LEFT FRONT DOOR	55
S305		FRONT CENTER ROOF	65
S306		UNDER LEFT SIDE OF DRIVER SEAT	66
S308		LEFT REAR CHASSIS	69
S309		CENTER REAR OF CHASSIS	70
S310		LEFT HEADLINER	53
S311		LEFT FRONT OF BODY	58,63
S312		RIGHT DOOR	56
S313		LEFT REAR CHASSIS	71
S316		UNDER LEFT SIDE OF DRIVER SEAT	66

CONNECTOR NAME / NUMBER	COLOR	LOCATION	FIGURE
S317		LEFT FRONT BODY	58,63
S321		BODY FLOOR NEAR LEFT B-PILLAR	63
S322		LEFT FRONT BODY	58,63
S323		LEFT FRONT BODY	62
S324		LEFT REAR CHASSIS	70
S325		LEFT MIDDLE CHASSIS	69,71
S326		LEFT REAR CHASSIS	70
S327		LEFT REAR CHASSIS	70
S330		CENTER REAR OF CHASSIS	70
S331		CENTER REAR OF CHASSIS	70
S332		LEFT FRONT DOOR	55
S333		LEFT FRONT BODY	58,63
S334		UNDER PASSENGER SEAT	58,64
S338		UNDER PASSENGER SEAT	58,63
S340		LEFT REAR FENDER	72
S341		RIGHT REAR FENDER	72
S342		LEFT REAR FENDER	72
S343		RIGHT REAR FENDER	72
S344		CENTER HEADLINER	53
S349		LEFT HEADLINER	53
S350		LEFT HEADLINER	N/S
S351		LEFT REAR CHASSIS	70
S355		LEFT HEADLINER	53
S360		BELOW LOWER BUCKET OF CENTER CONSOLE	N/S
S363		UNDER DRIVER SEAT	66
S364		UNDER DRIVER SEAT	66
S365		UNDER RIGHT SIDE OF PASSENGER SEAT	N/S
S366		UNDER RIGHT SIDE OF PASSENGER SEAT	N/S
S367		UNDER PASSENGER SEAT	67

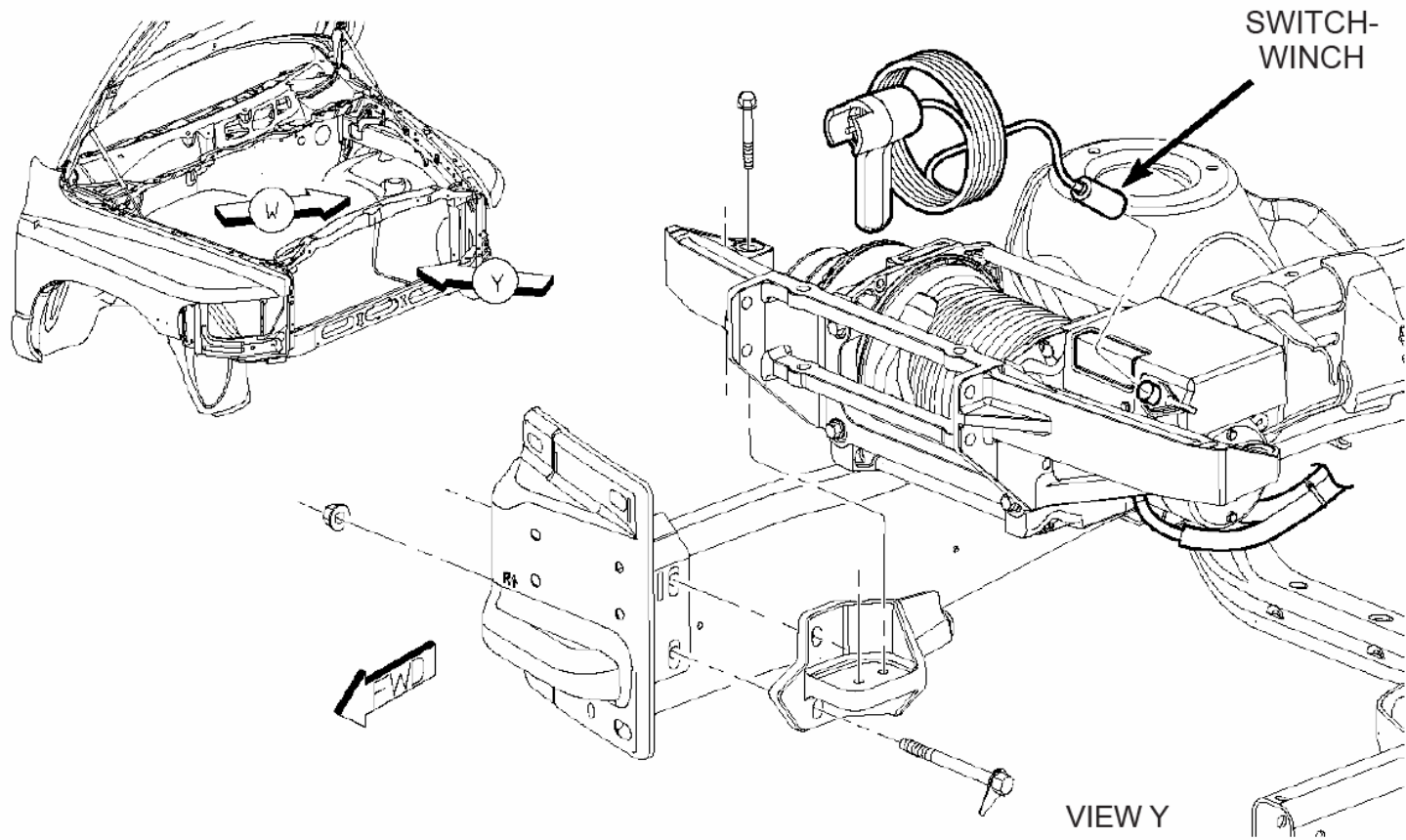


Fig. 1 WINCH ASSEMBLY (POWER WAGON)

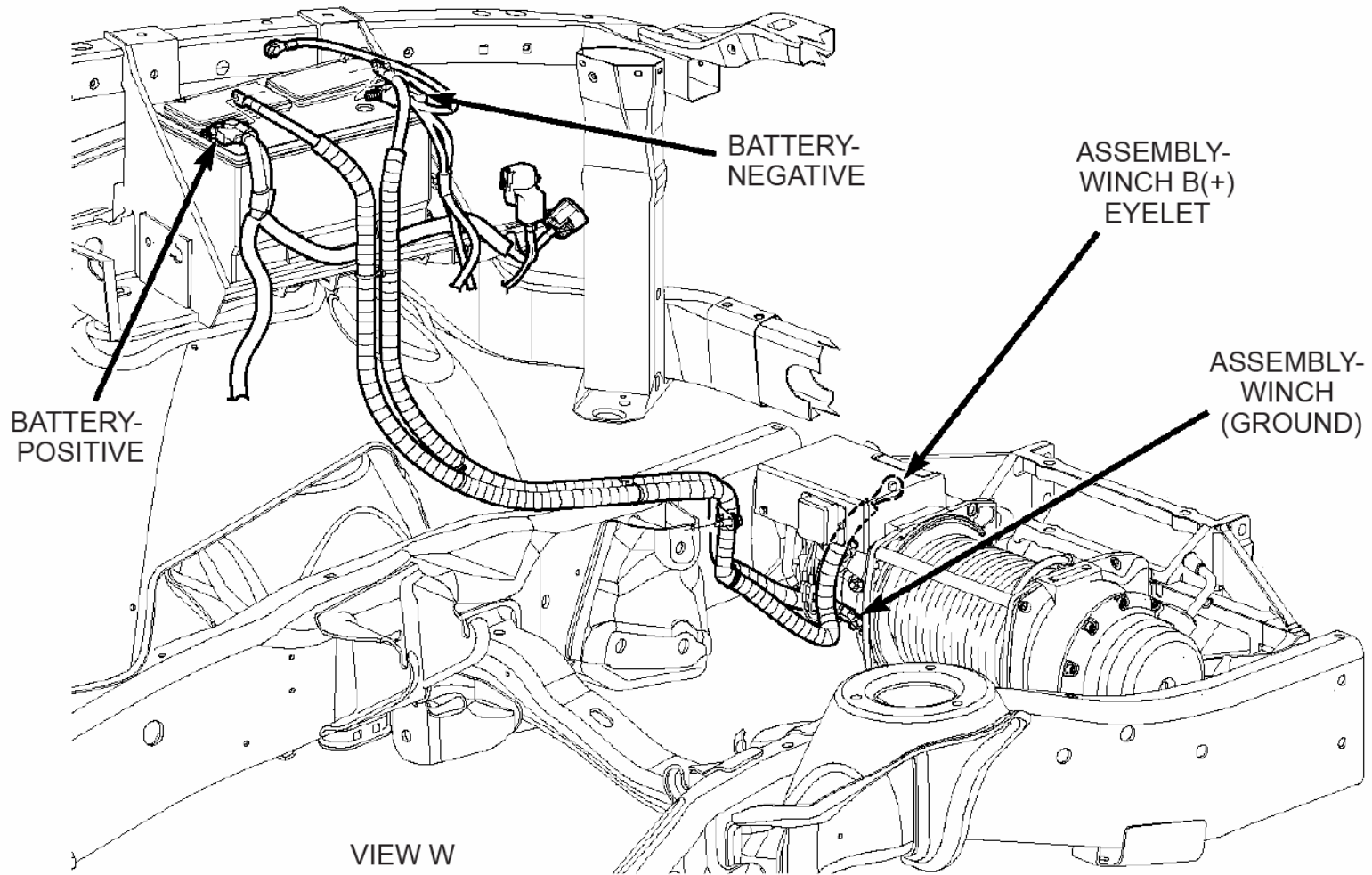
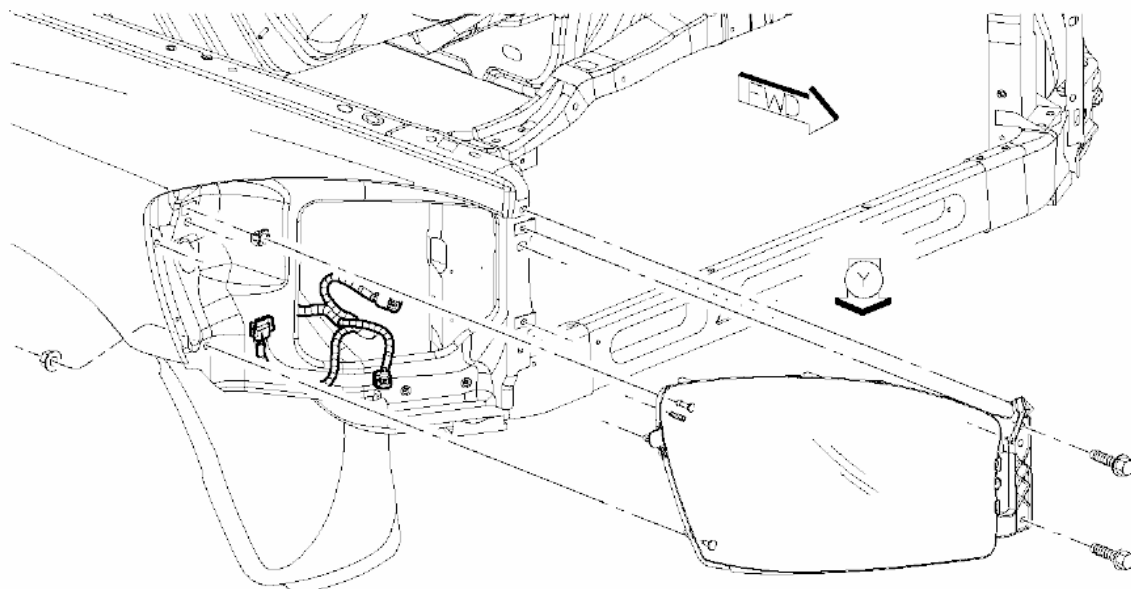

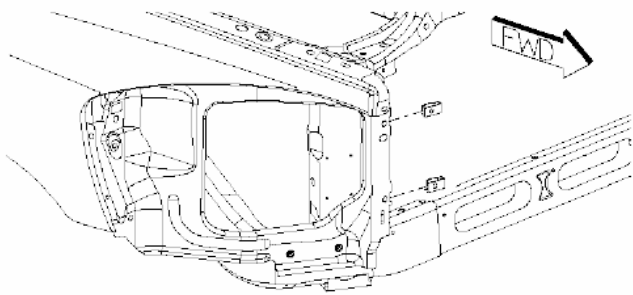


Fig. 2 FRONT FRAME (POWER WAGON)

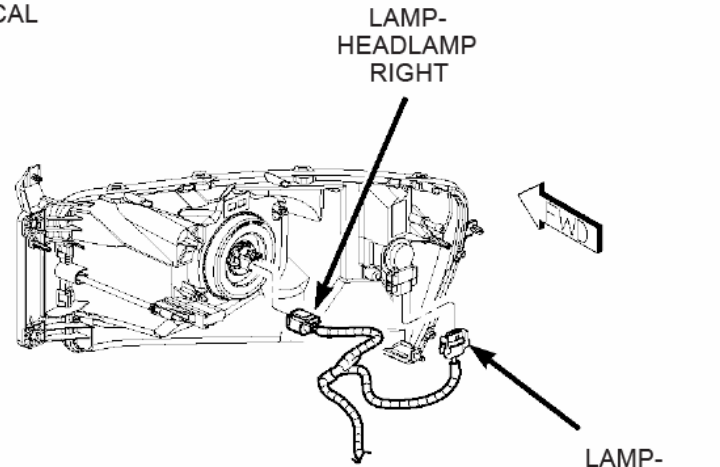
816461e8




 RIGHT SIDE SHOWN.
 LEFT SIDE TYPICAL



VIEW Z
 RIGHT SIDE SHOWN.
 LEFT SIDE TYPICAL

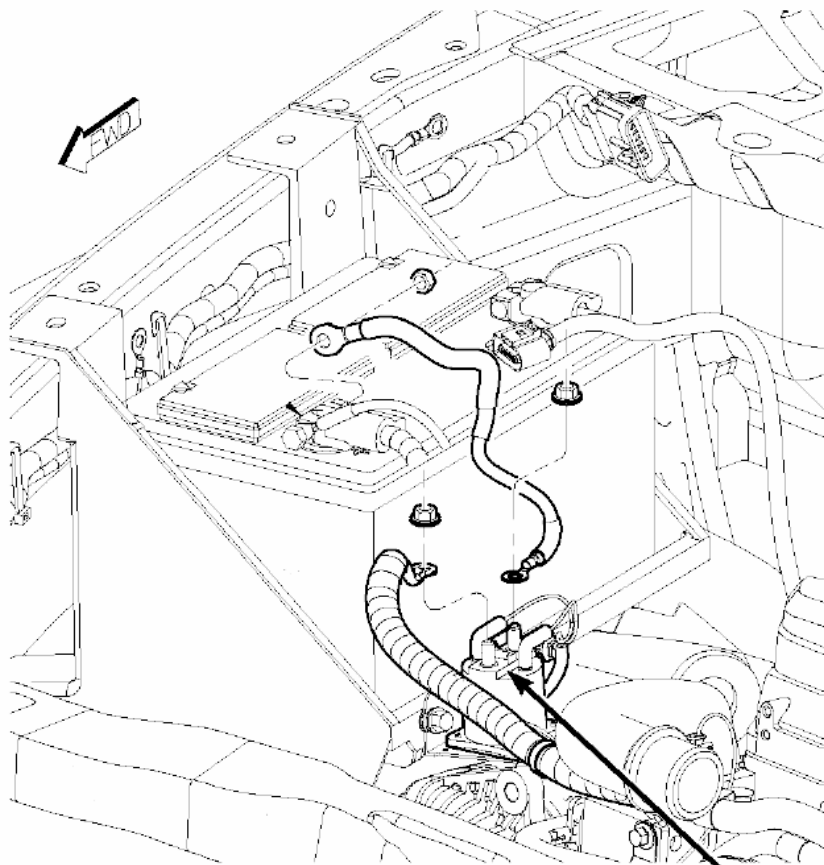


LAMP-HEADLAMP
 RIGHT

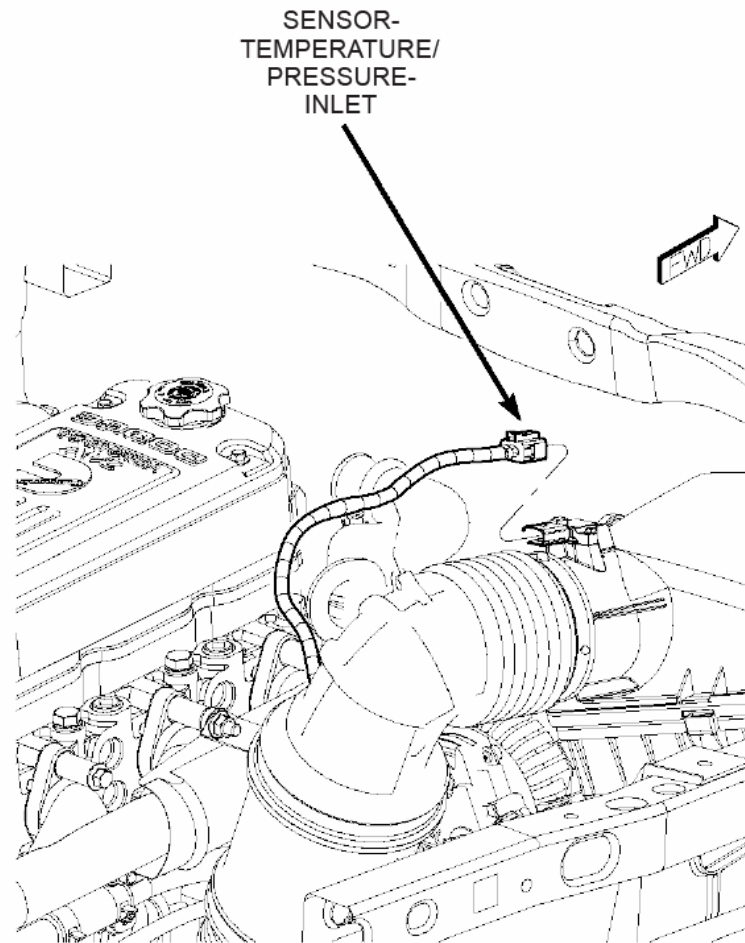
 VIEW Y
 RIGHT SIDE SHOWN.
 LEFT SIDE TYPICAL

 LAMP-PARK/TURN-
 RIGHT FRONT

Fig. 3 RIGHT SIDE FRONT LIGHTING



RELAY-
INTAKE AIR
HEATER



SENSOR-
TEMPERATURE/
PRESSURE-
INLET

Fig. 4 RIGHT BATTERY AND ENGINE (DIESEL)

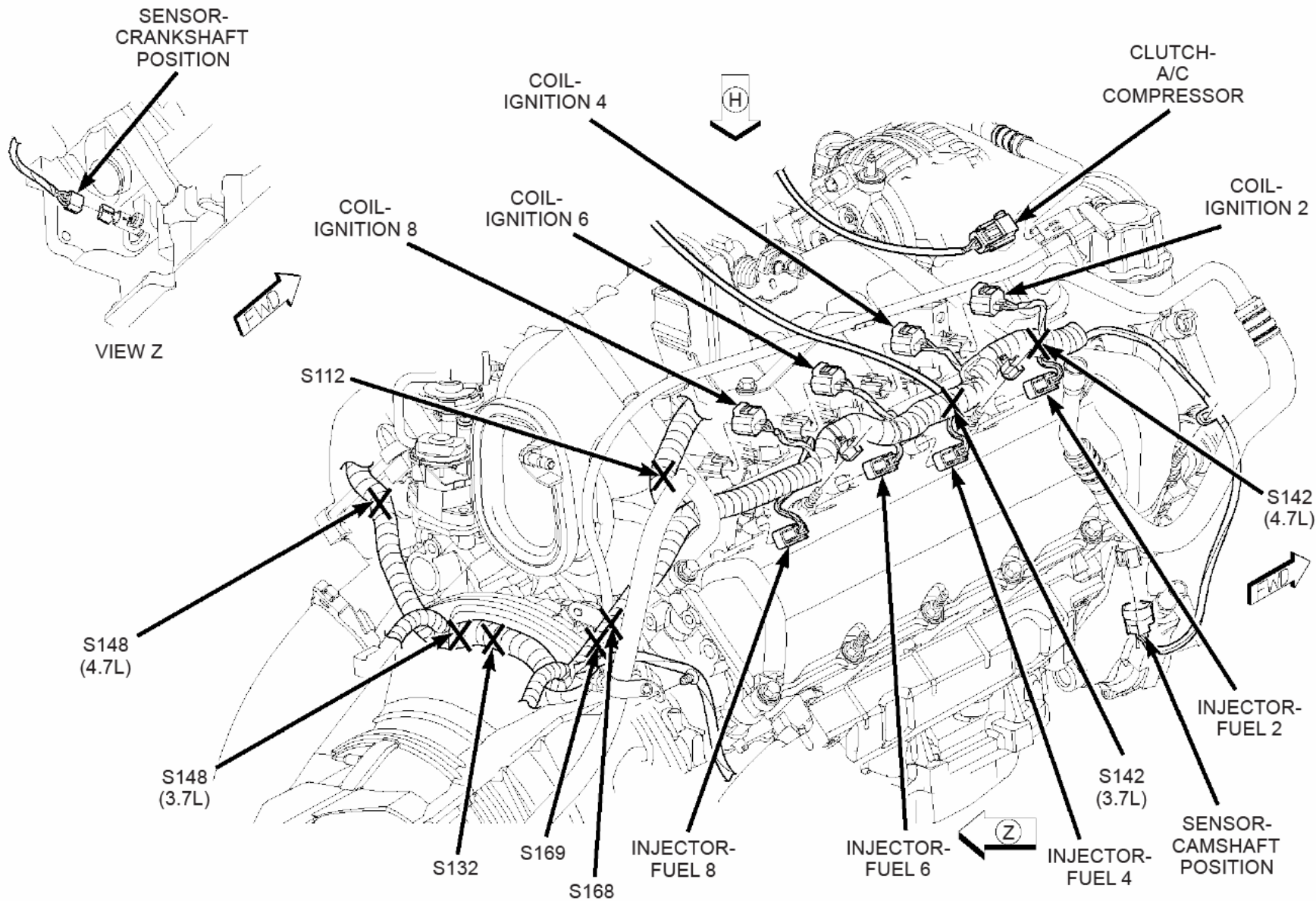


Fig. 5 RIGHT SIDE ENGINE (3.7L/4.7L)

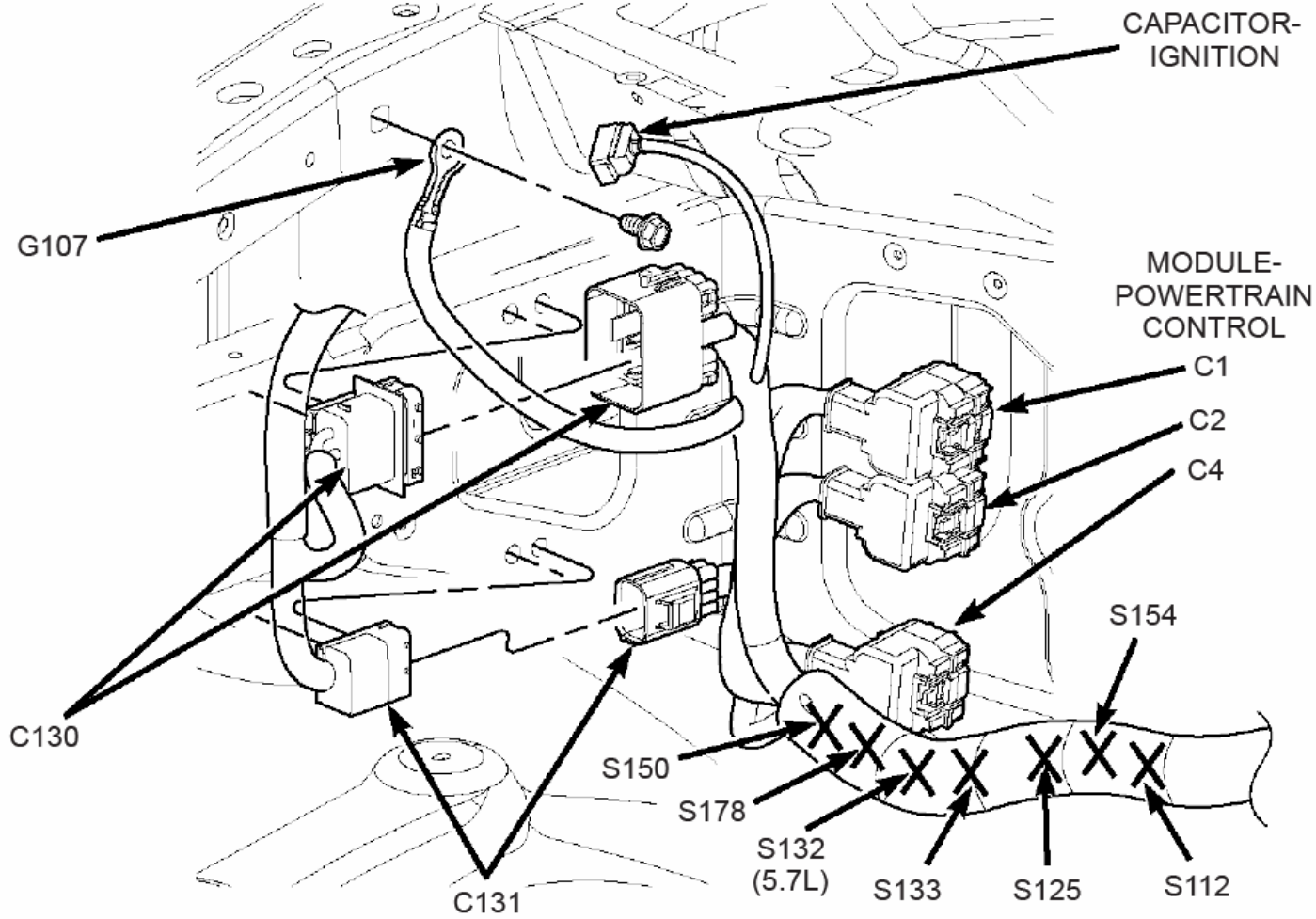


Fig. 6 RIGHT REAR ENGINE COMPARTMENT (NGC)

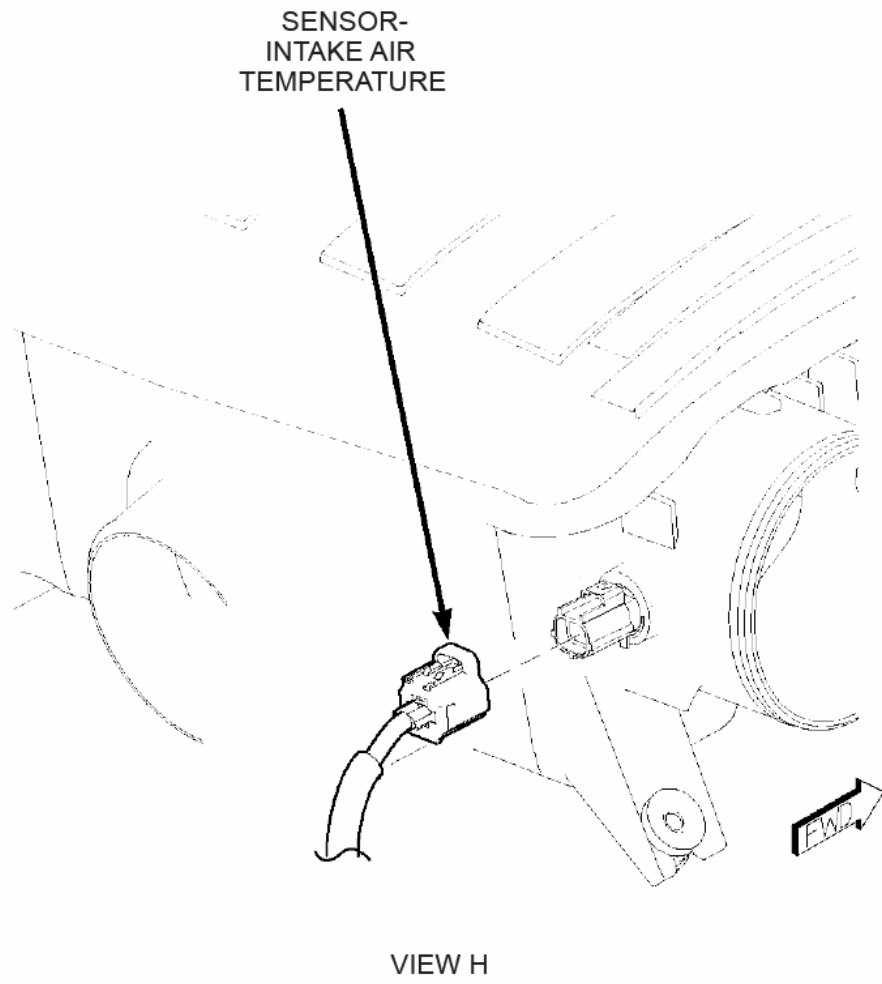


Fig. 7 RIGHT TOP ENGINE (3.7L/4.7L)

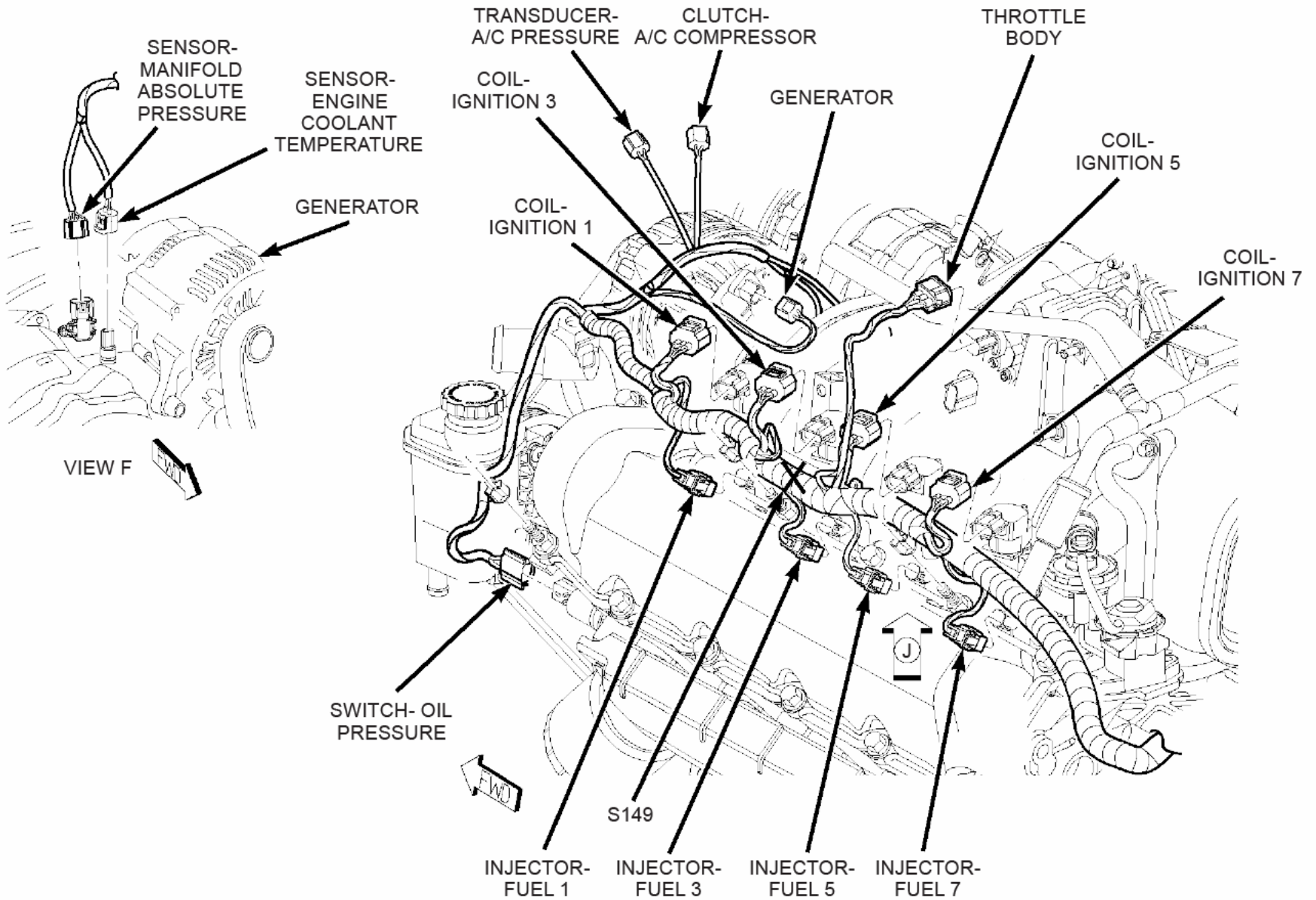


Fig. 8 LEFT SIDE ENGINE (3.7L/4.7L)

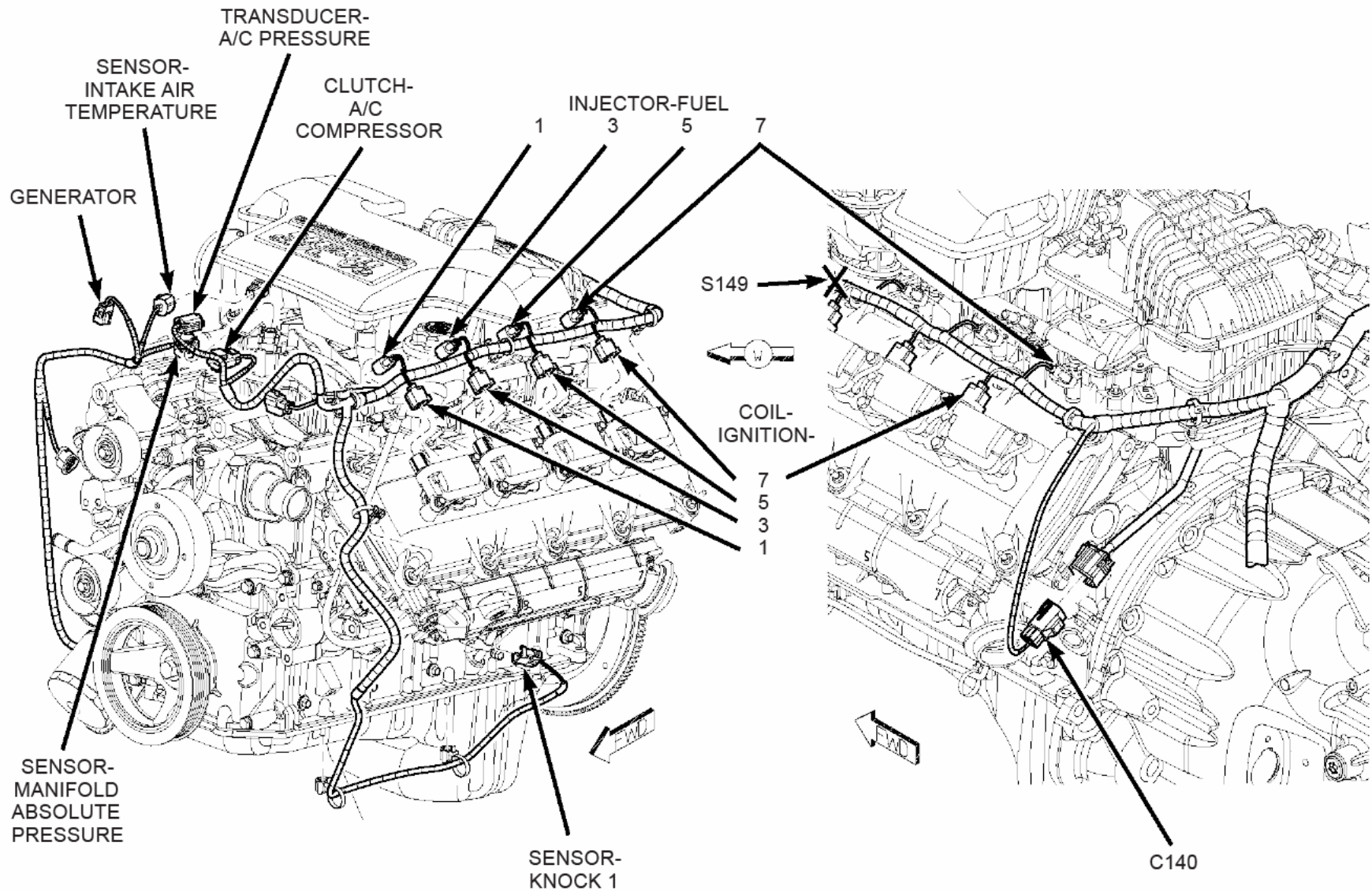
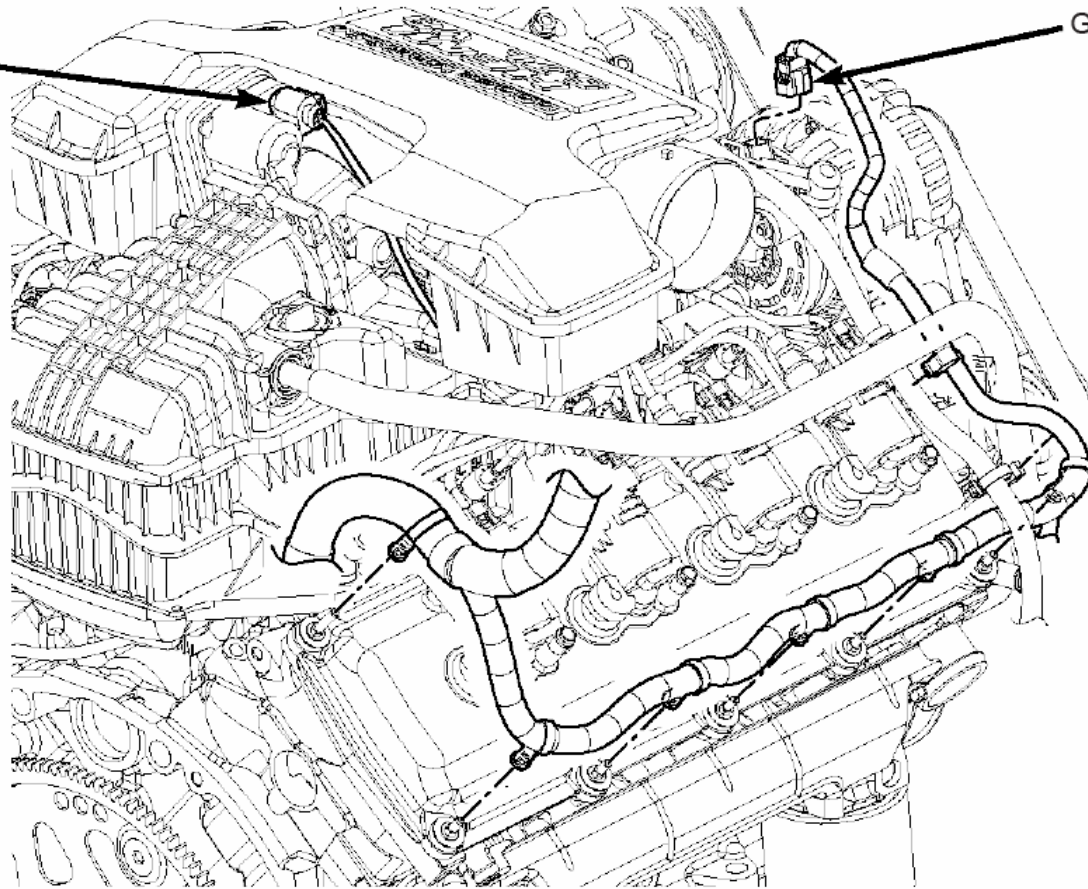


Fig. 9 LEFT SIDE ENGINE (5.7L)

THROTTLE
BODY



GENERATOR



Fig. 10 RIGHT REAR ENGINE (5.7L)

811d819c

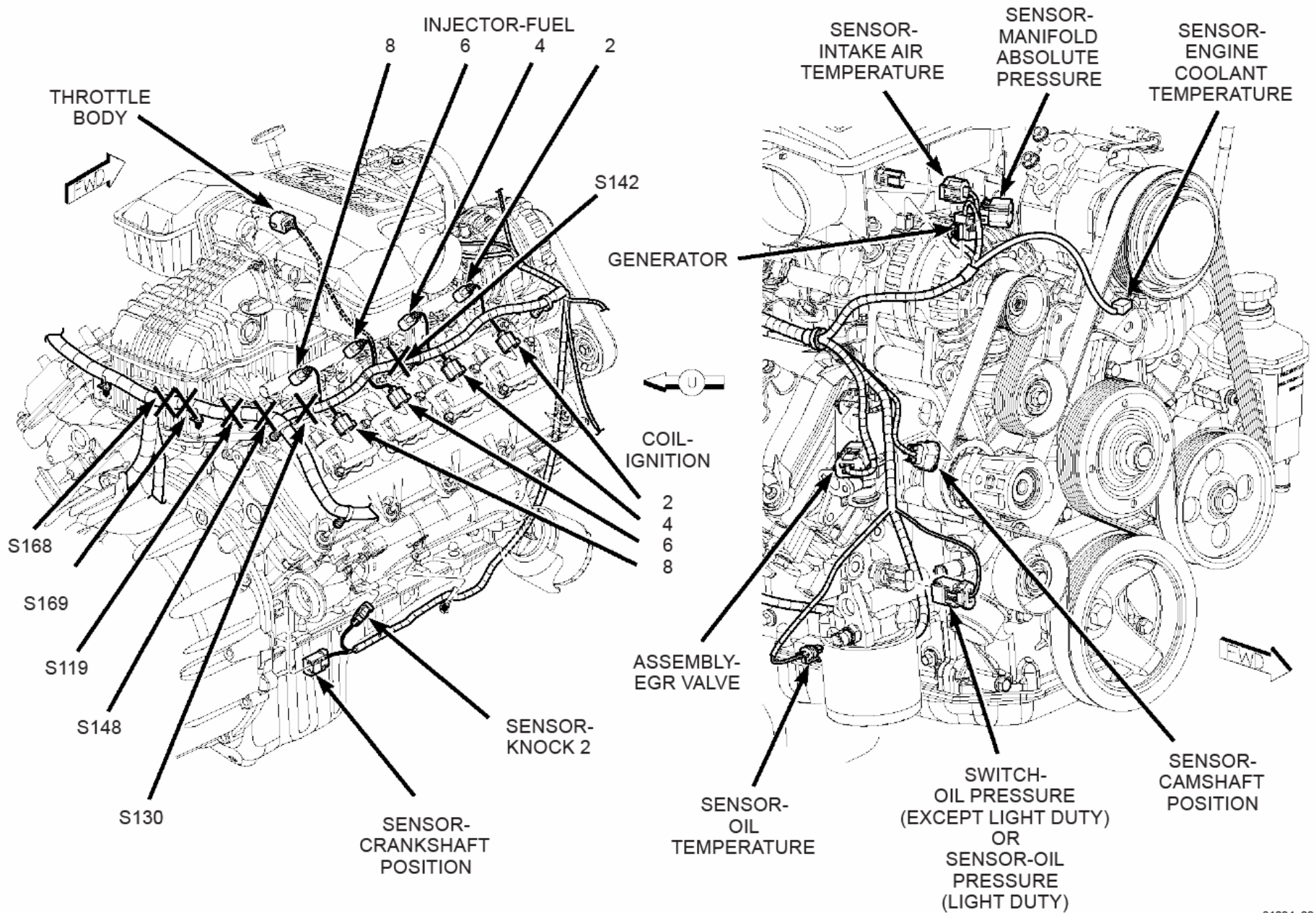
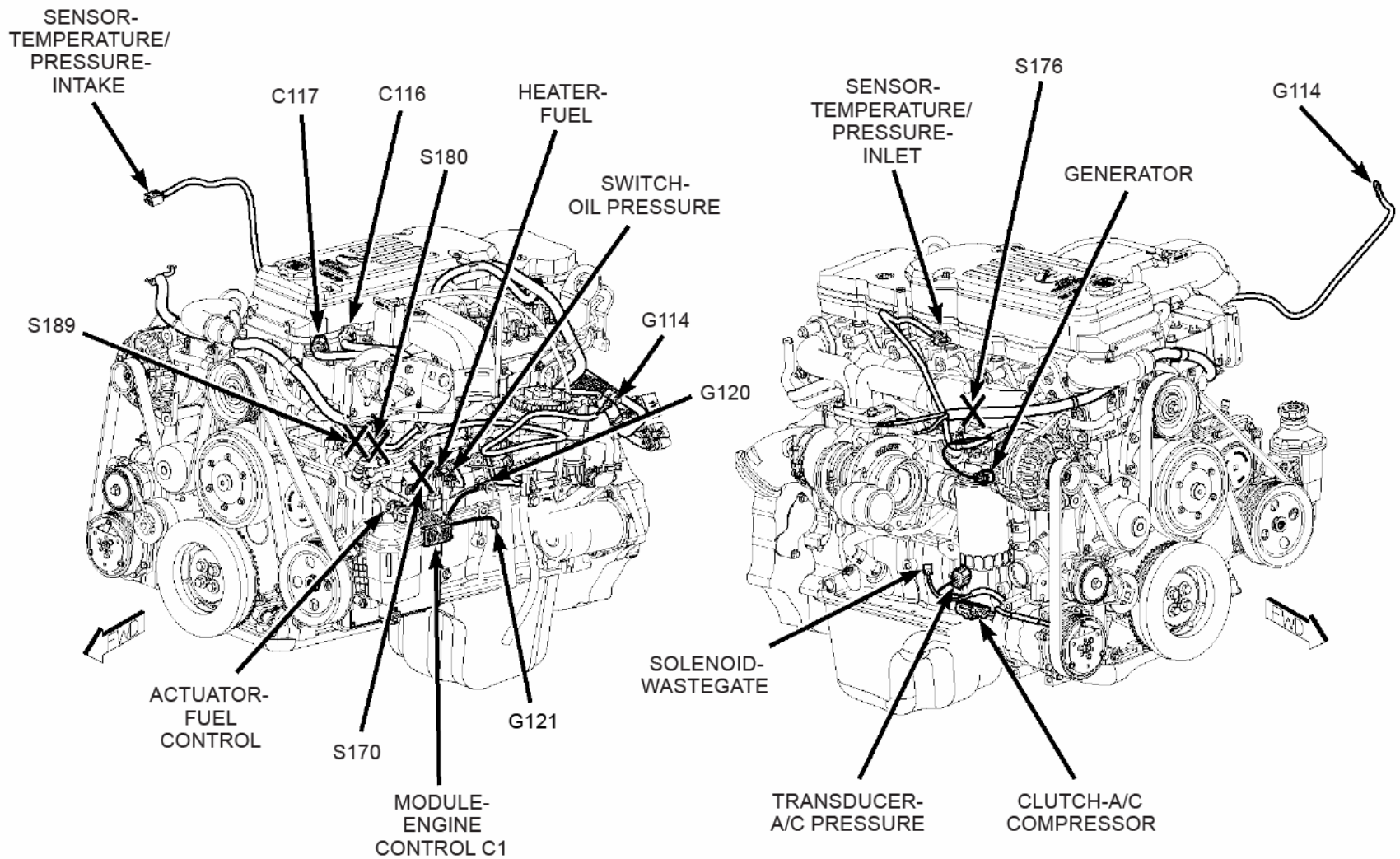
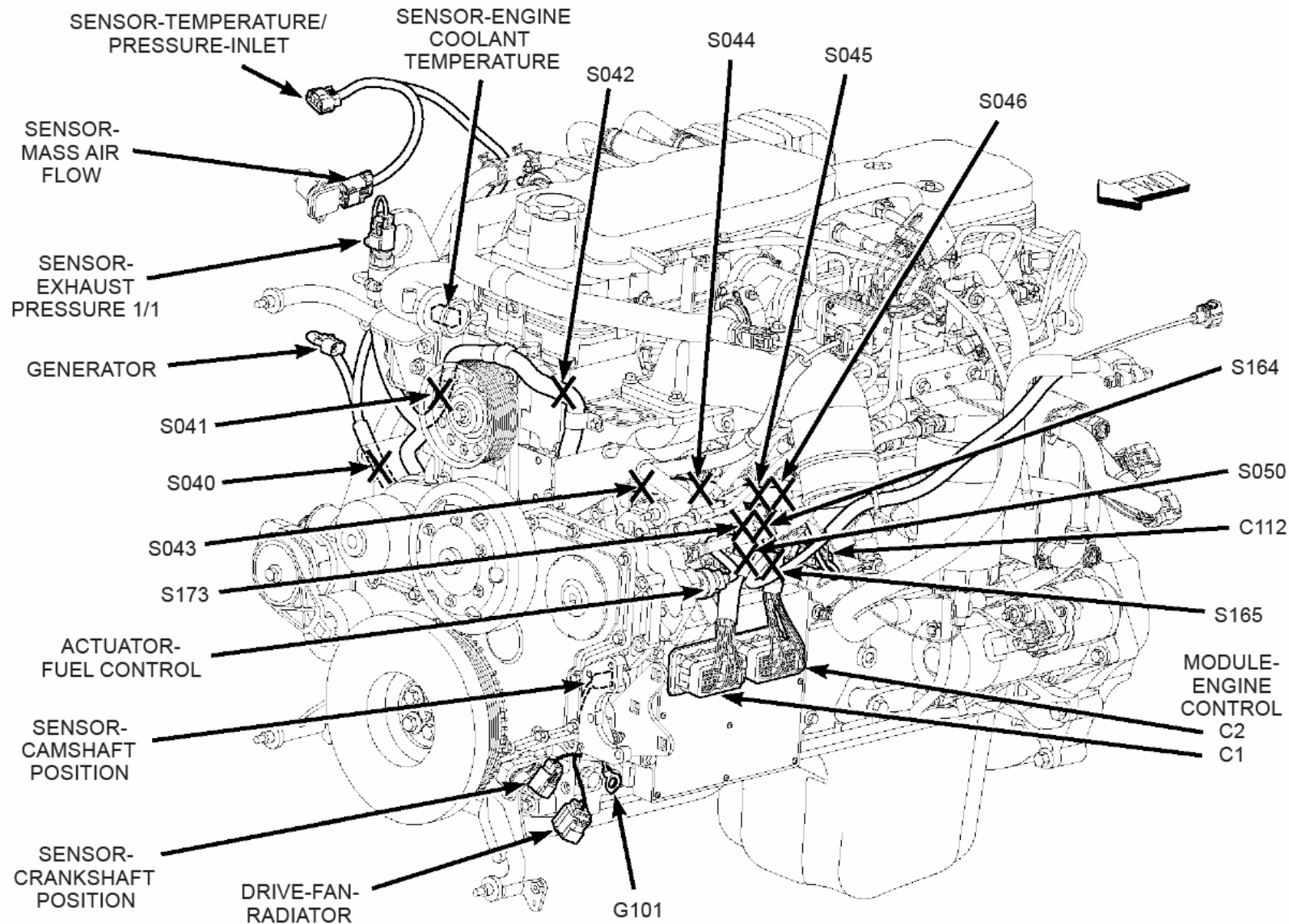


Fig. 11 RIGHT AND FRONT ENGINE (5.7L)



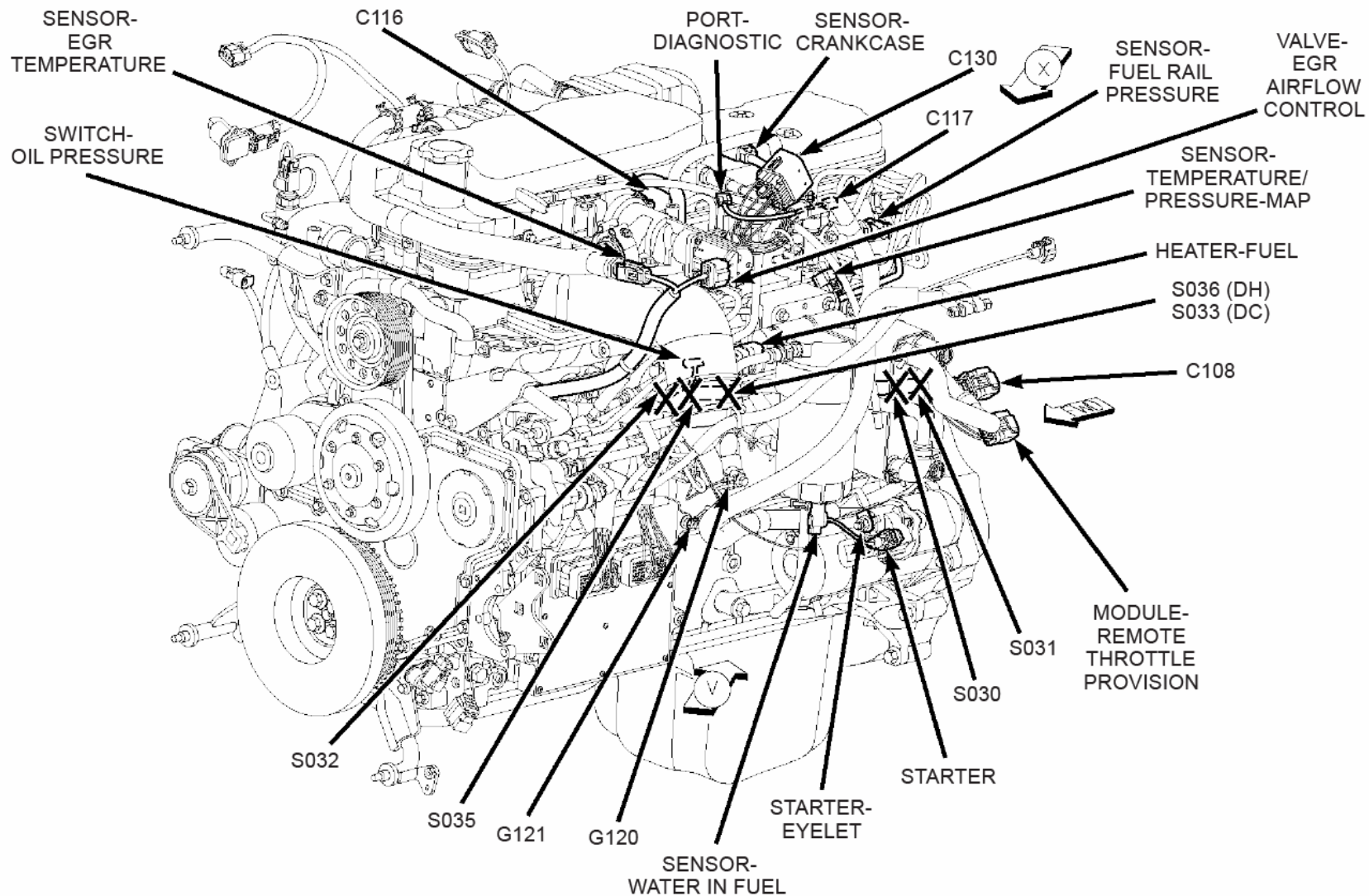
NOTE: INCORRECT ROUTING OR MOUNTING OF THE ENGINE WIRING HARNESS MAY CAUSE HARNESS AND/OR ENGINE DAMAGE. WHEN MAKING REPAIRS OR REPLACEMENTS TO WIRING HARNESS COMPONENTS BE SURE TO RETURN VEHICLE TO ITS ORIGINAL CONFIGURATION.

Fig. 12 ENGINE (5.9L DIESEL)



NOTE: INCORRECT ROUTING OR MOUNTING OF THE ENGINE WIRING HARNESS MAY CAUSE HARNESS AND/OR ENGINE DAMAGE. WHEN MAKING REPAIRS OR REPLACEMENTS TO WIRING HARNESS COMPONENTS BE SURE TO RETURN VEHICLE TO ITS ORIGINAL CONFIGURATION.

Fig. 13 FRONT ENGINE (6.7L DIESEL)



NOTE: INCORRECT ROUTING OR MOUNTING OF THE ENGINE WIRING HARNESS MAY CAUSE HARNESS AND/OR ENGINE DAMAGE. WHEN MAKING REPAIRS OR REPLACEMENTS TO WIRING HARNESS COMPONENTS BE SURE TO RETURN VEHICLE TO ITS ORIGINAL CONFIGURATION.

Fig. 14 ENGINE, LEFT SIDE (6.7L DIESEL)

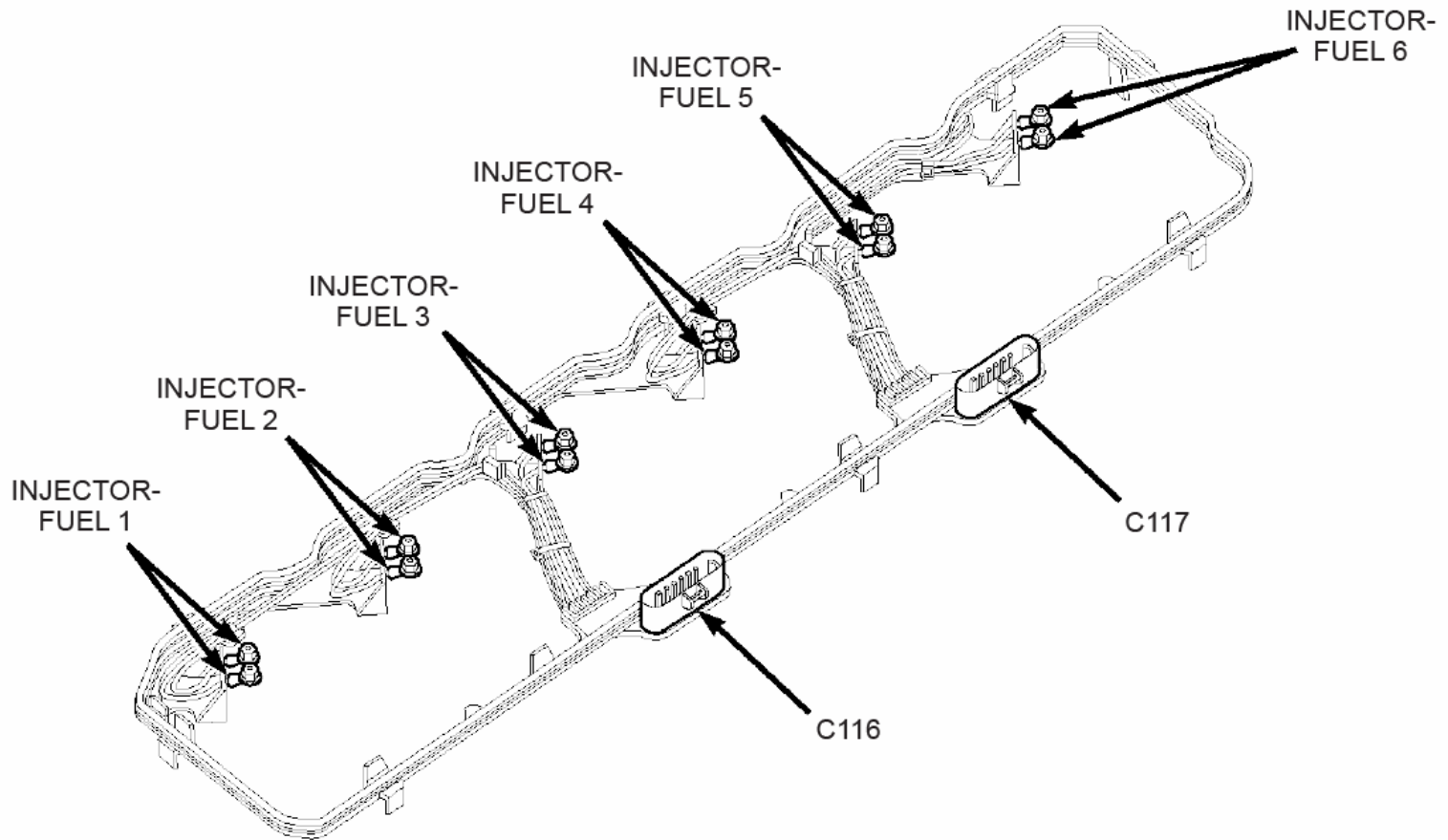
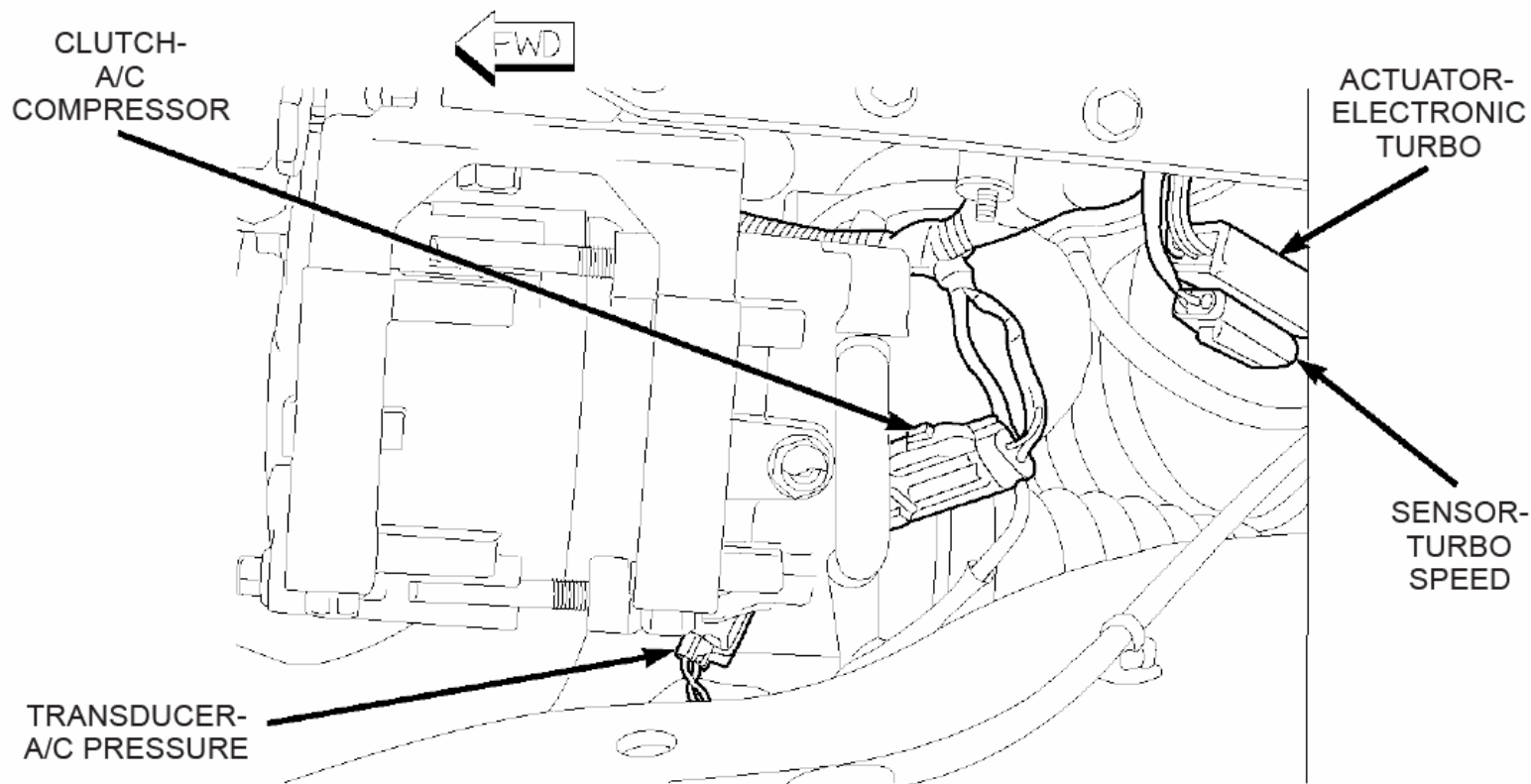


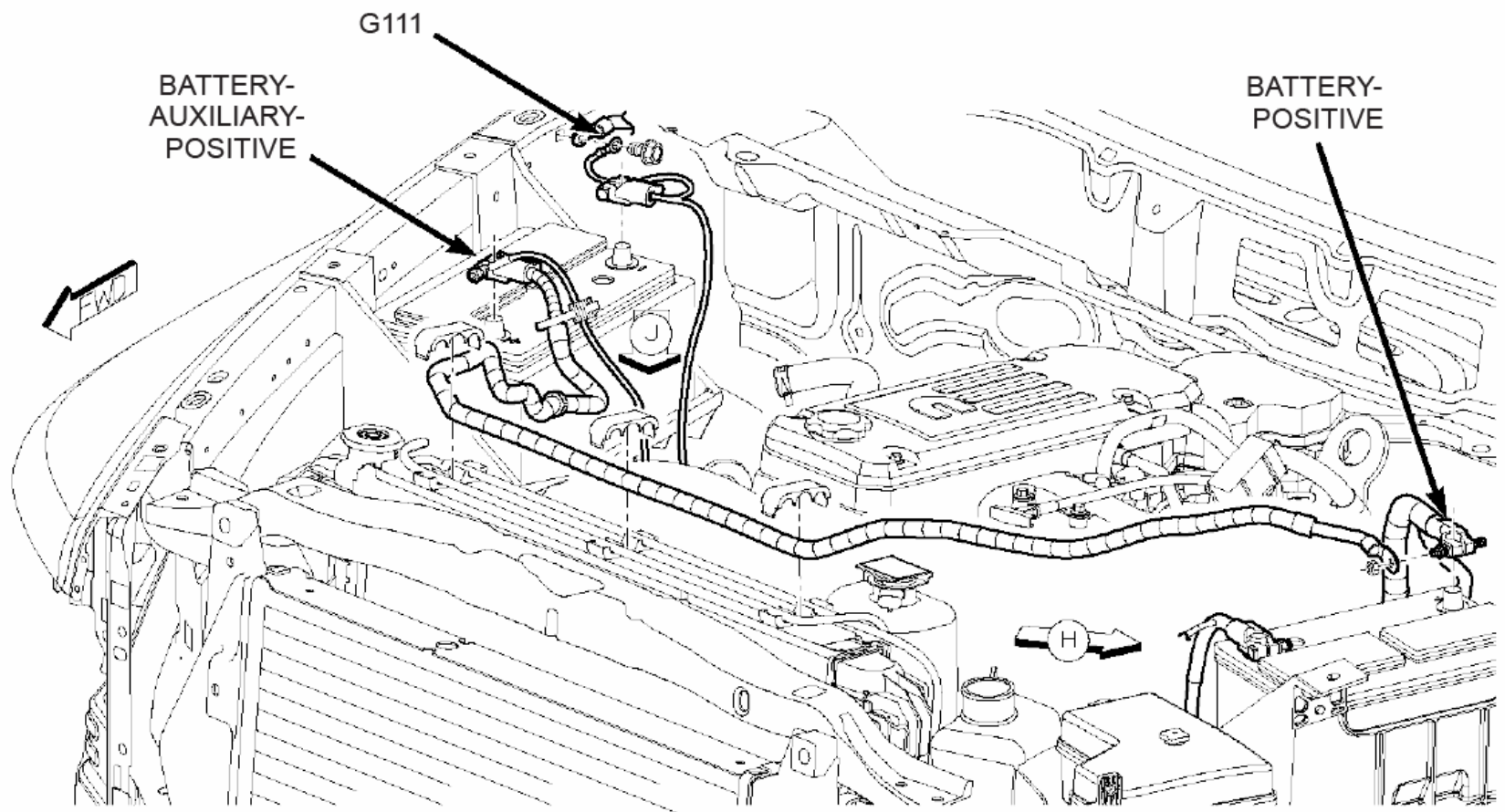
Fig. 15 VALVE COVER GASKET (DIESEL)



NOTE: INCORRECT ROUTING OR MOUNTING OF THE ENGINE WIRING HARNESS MAY CAUSE HARNESS AND/OR ENGINE DAMAGE. WHEN MAKING REPAIRS OR REPLACEMENTS TO WIRING HARNESS COMPONENTS BE SURE TO RETURN VEHICLE TO ITS ORIGINAL CONFIGURATION.

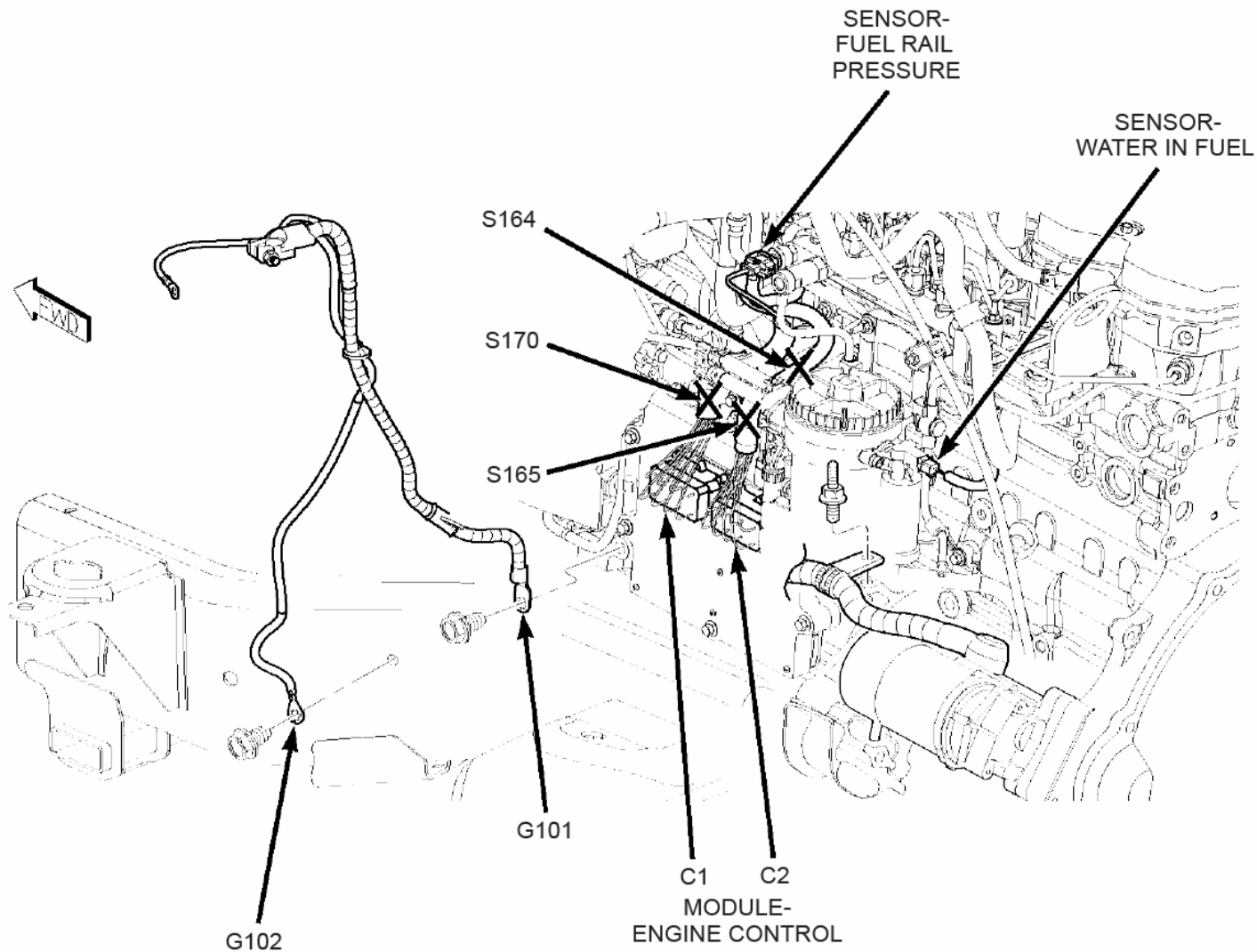
8195a3aa

Fig. 16 ENGINE - FRONT RIGHT BOTTOM (6.7L DIESEL)



816461ec

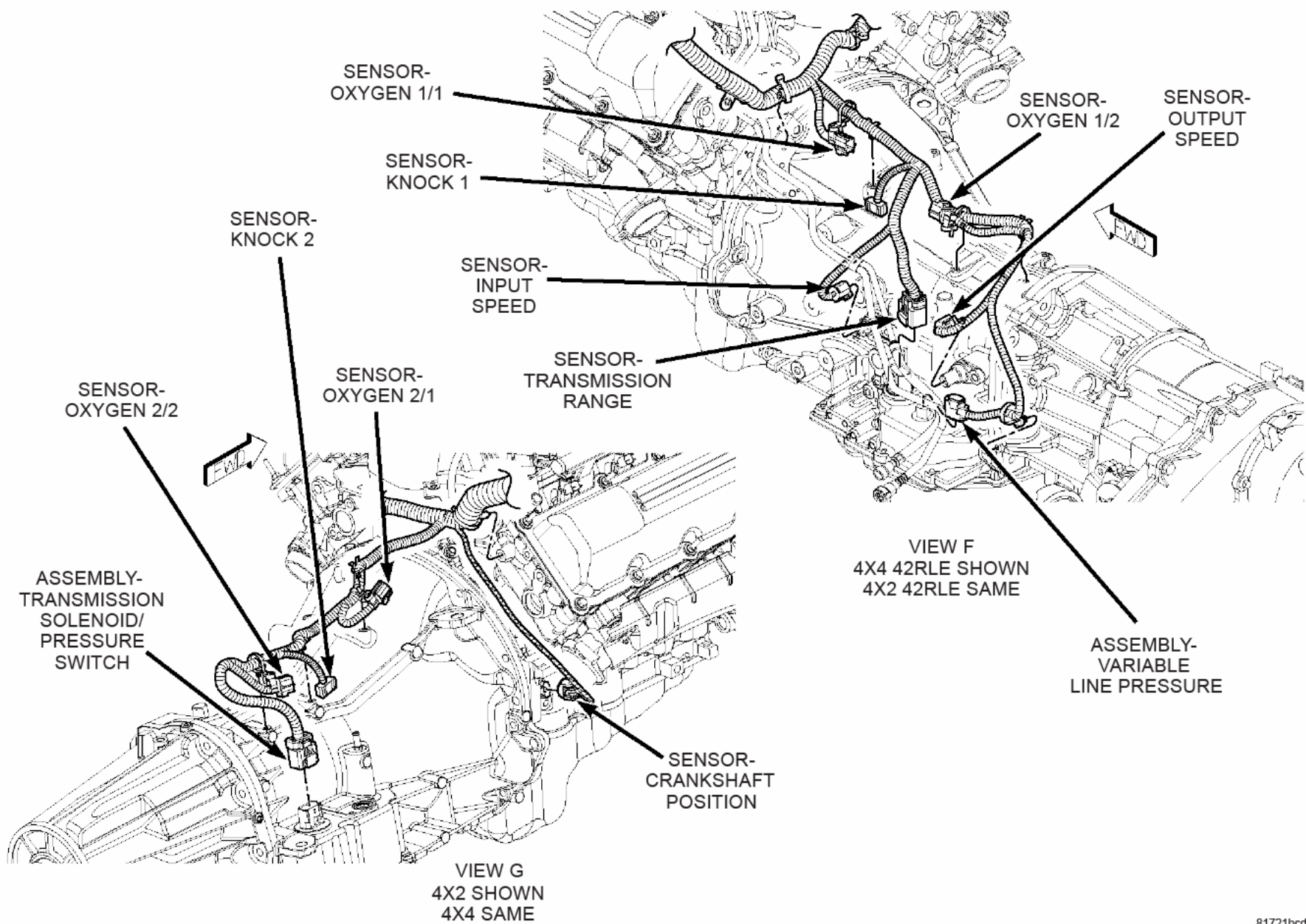
Fig. 17 DIESEL BATTERIES



NOTE: INCORRECT ROUTING OR MOUNTING OF THE ENGINE WIRING HARNESS MAY CAUSE HARNESS AND/OR ENGINE DAMAGE. WHEN MAKING REPAIRS OR REPLACEMENTS TO WIRING HARNESS COMPONENTS BE SURE TO RETURN VEHICLE TO ITS ORIGINAL CONFIGURATION.

812d16ca

Fig. 18 LEFT SIDE ENGINE (5.9L DIESEL)



SENSOR-OXYGEN 1/1

SENSOR-OXYGEN 1/2

SENSOR-OUTPUT SPEED

SENSOR-KNOCK 1

SENSOR-KNOCK 2

SENSOR-INPUT SPEED

SENSOR-TRANSMISSION RANGE

SENSOR-OXYGEN 2/2

SENSOR-OXYGEN 2/1

VIEW F
4X4 42RLE SHOWN
4X2 42RLE SAME

ASSEMBLY-TRANSMISSION SOLENOID/PRESSURE SWITCH

ASSEMBLY-VARIABLE LINE PRESSURE

SENSOR-CRANKSHAFT POSITION

VIEW G
4X2 SHOWN
4X4 SAME

Fig. 19 AUTOMATIC TRANSMISSION (3.7L)

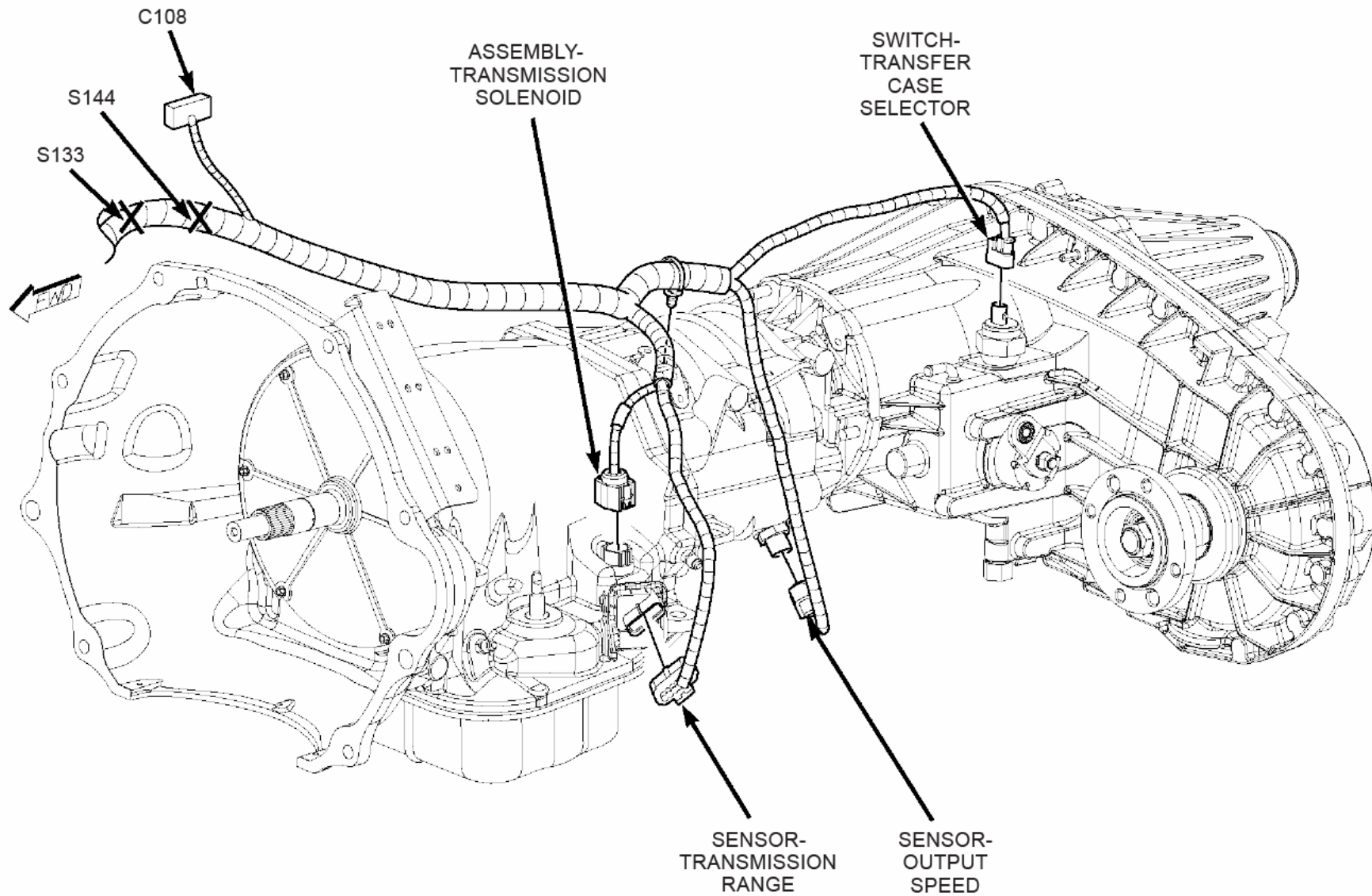
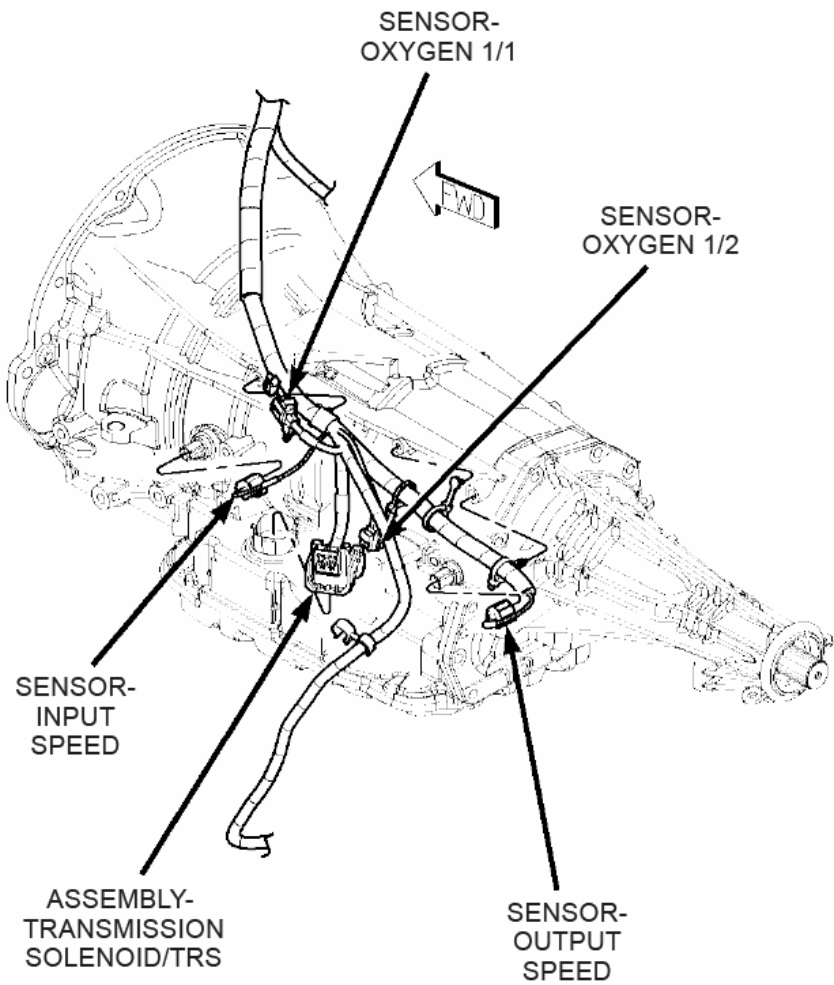
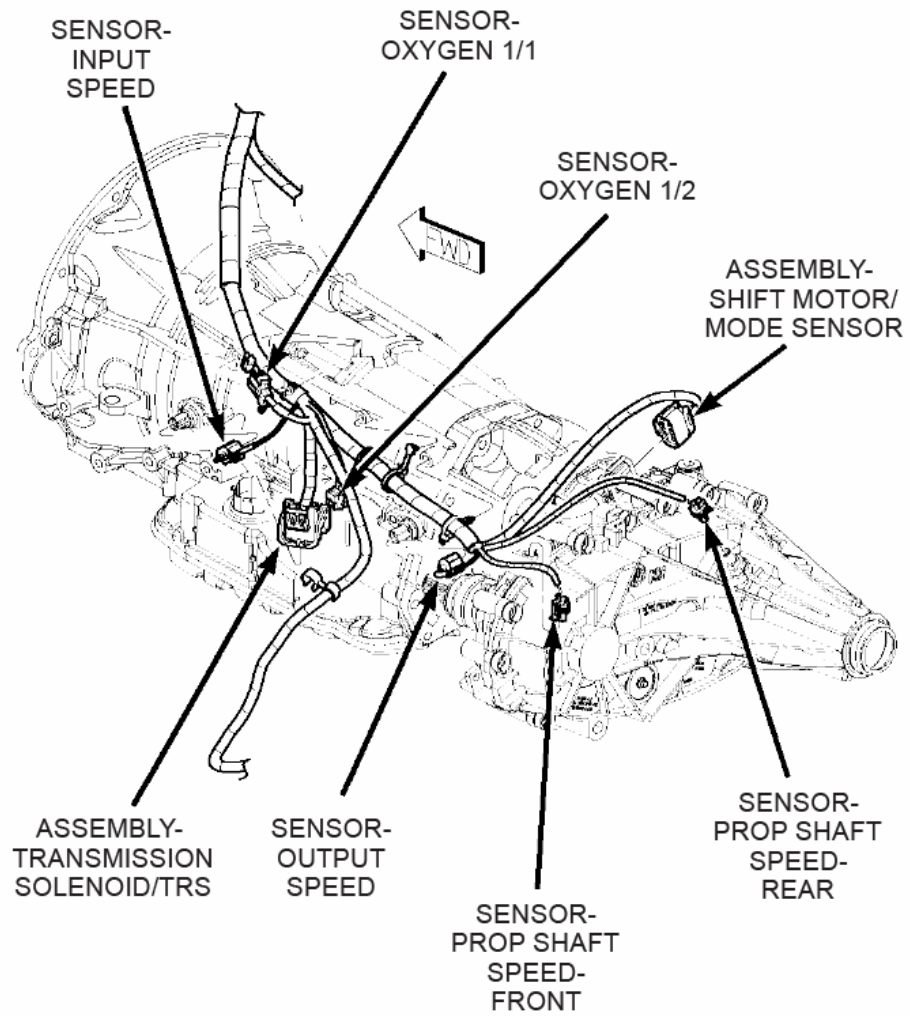


Fig. 20 AUTOMATIC TRANSMISSION - RE (5.9 DIESEL)



4 x 2



ELECTRONIC FULL TIME T/CASE

Fig. 21 LEFT TRANSMISSION (RFE)

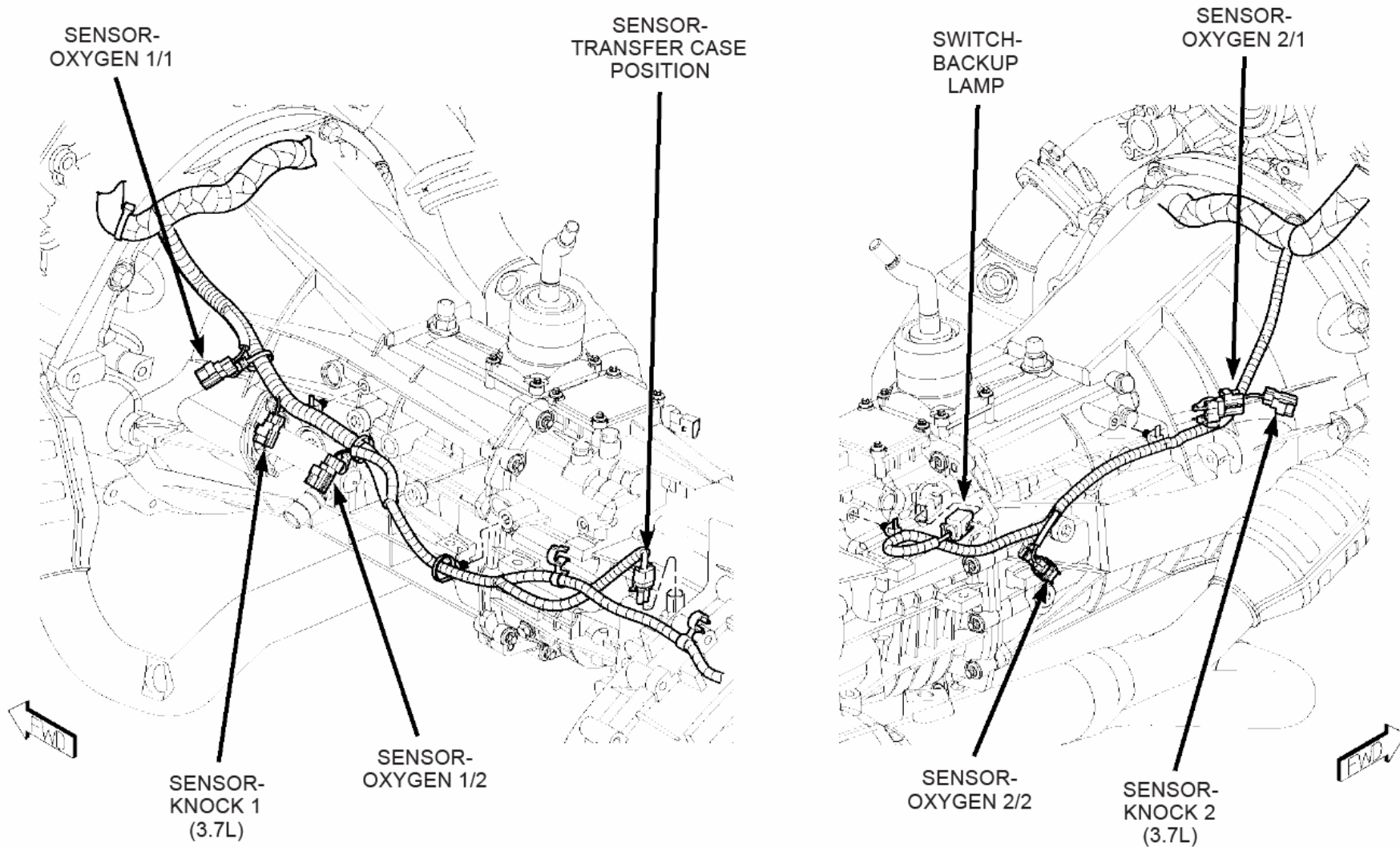
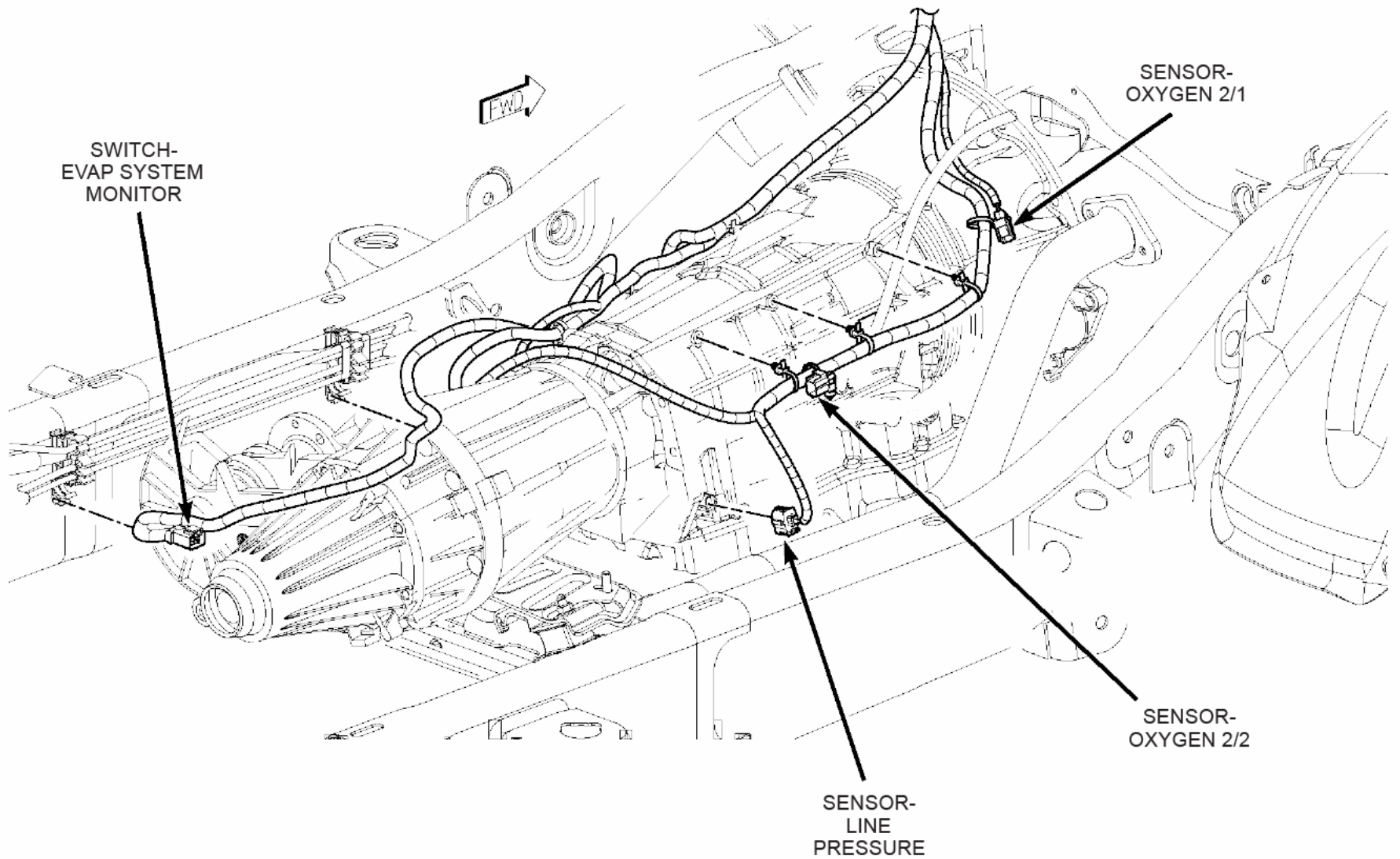
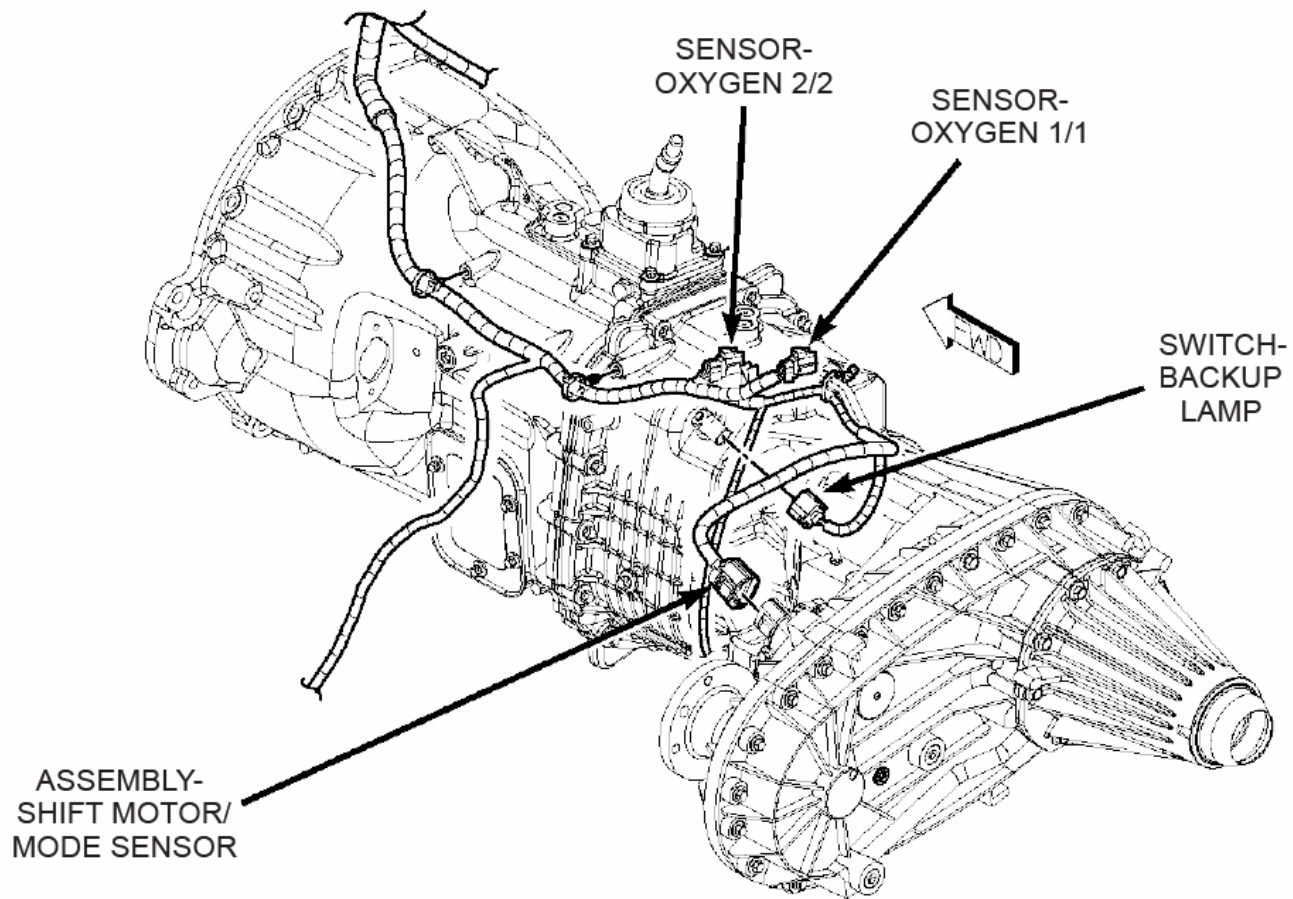


Fig. 22 MANUAL TRANSMISSION (4X4 MTC) (3.7L/4.7L)



81036216

Fig. 23 RIGHT TRANSMISSION (RFE)



816461f0

Fig. 24 MANUAL TRANSMISSION - G56 ETC (5.7L SHOWN, DIESEL SIMILAR)

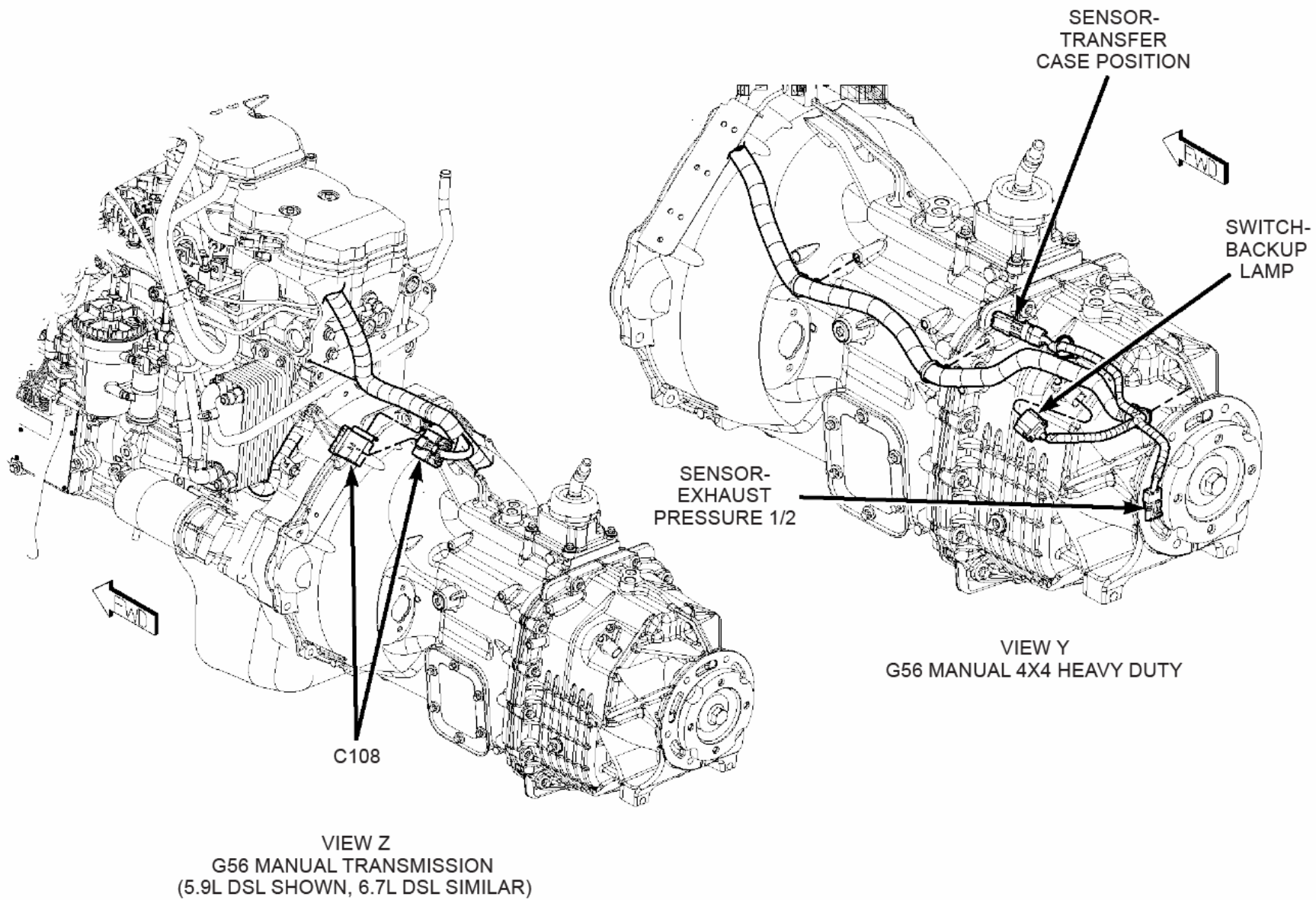


Fig. 25 MANUAL TRANSMISSION - G56 (6.7L DIESEL)

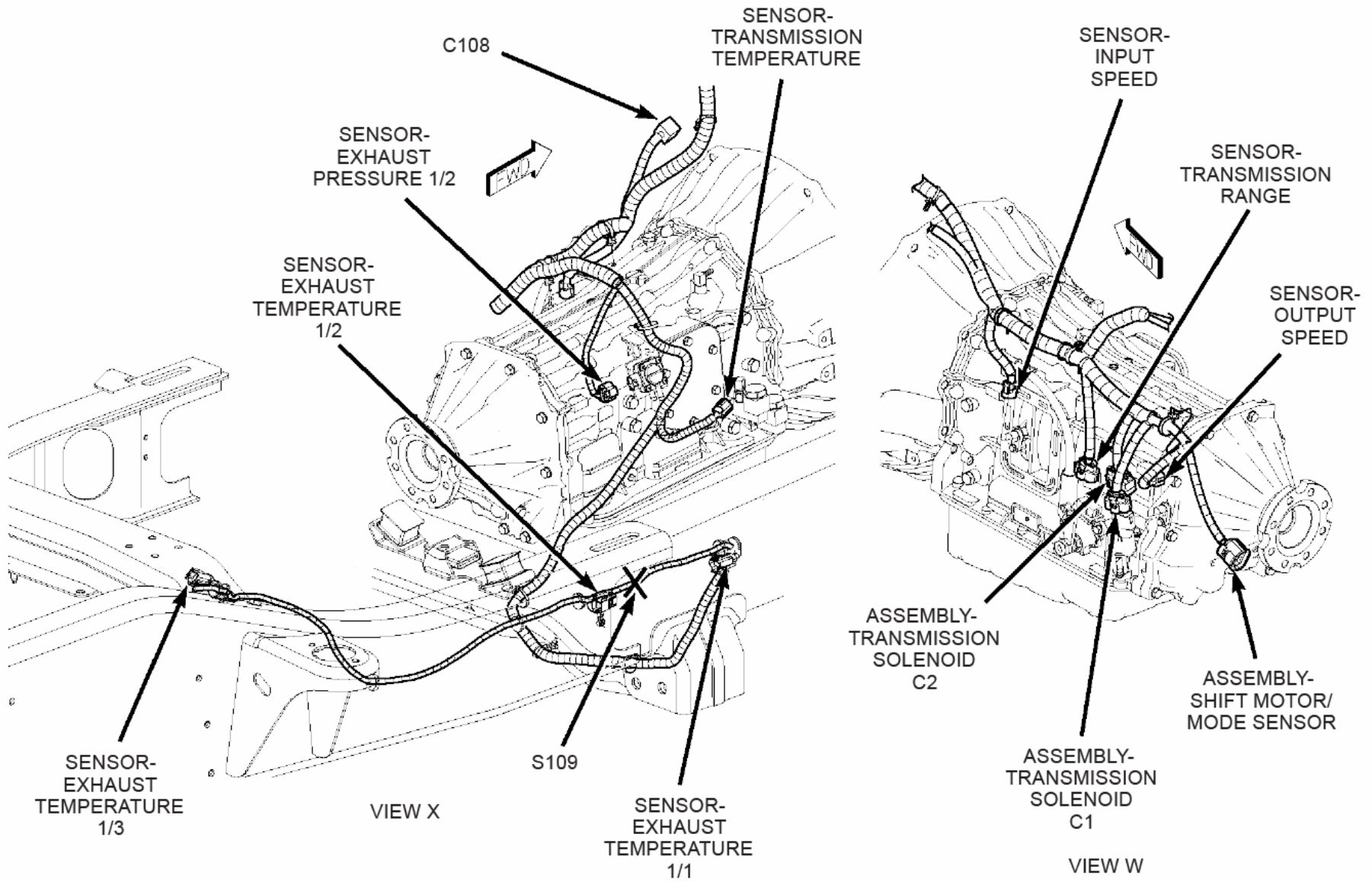


Fig. 26 TRANSMISSION - RC (6.7L DIESEL)

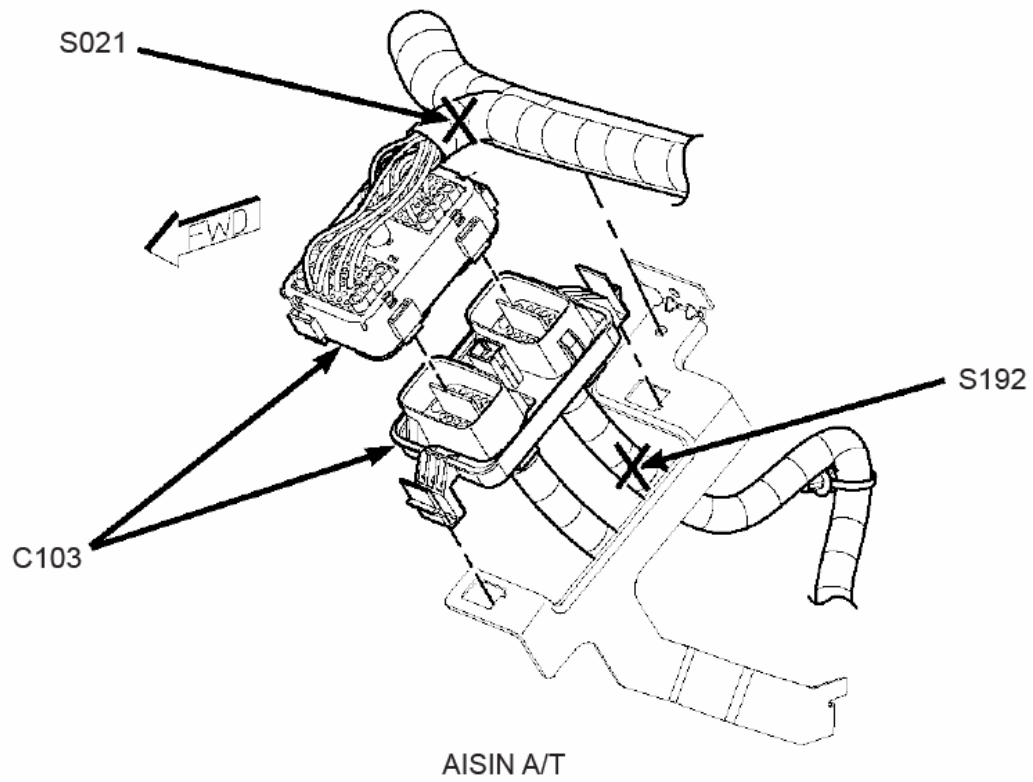


Fig. 27 REAR ENGINE COMPARTMENT (RC)

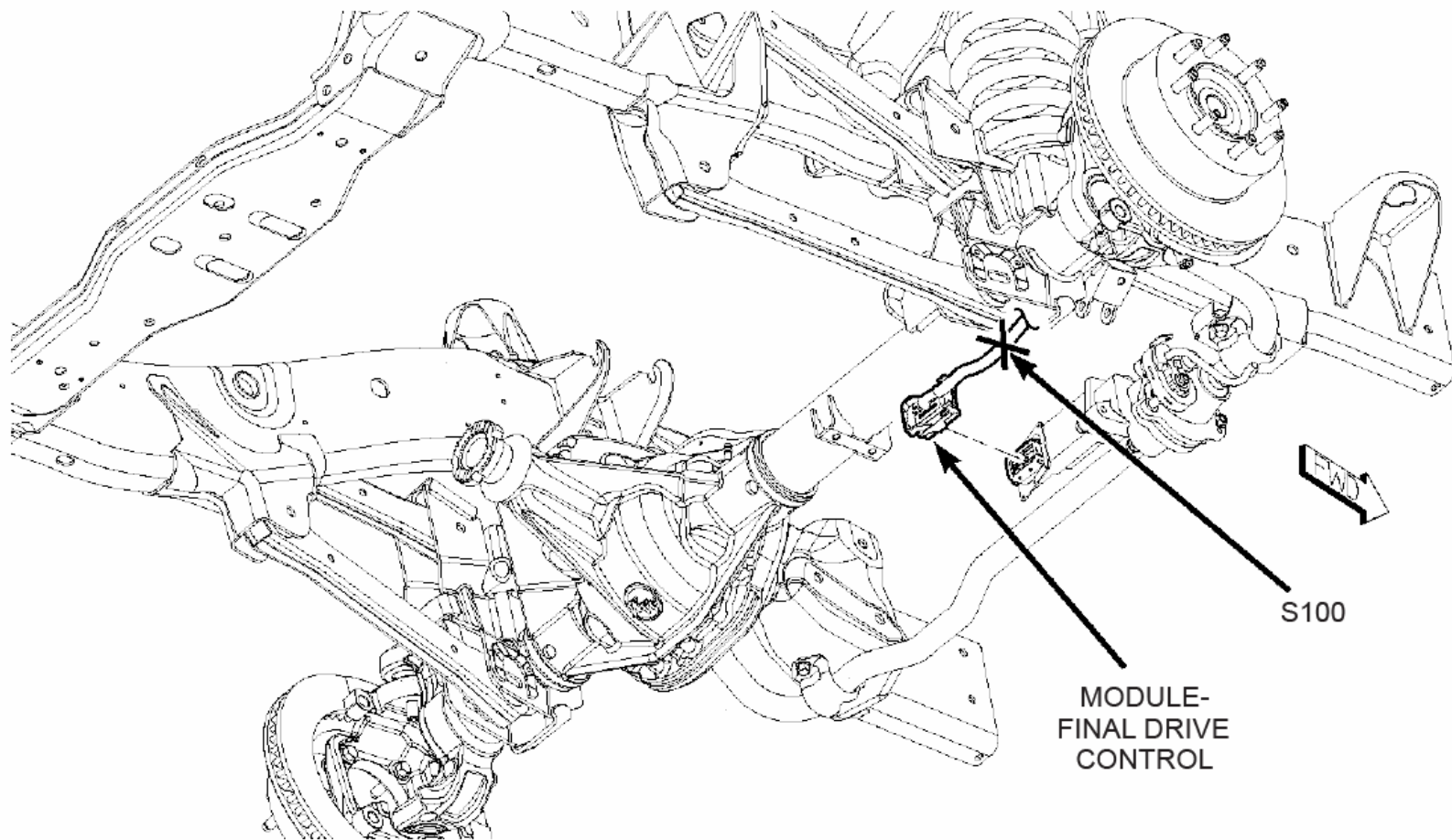


Fig. 28 FRONT STABILIZER BAR (POWER WAGON)

816461f4

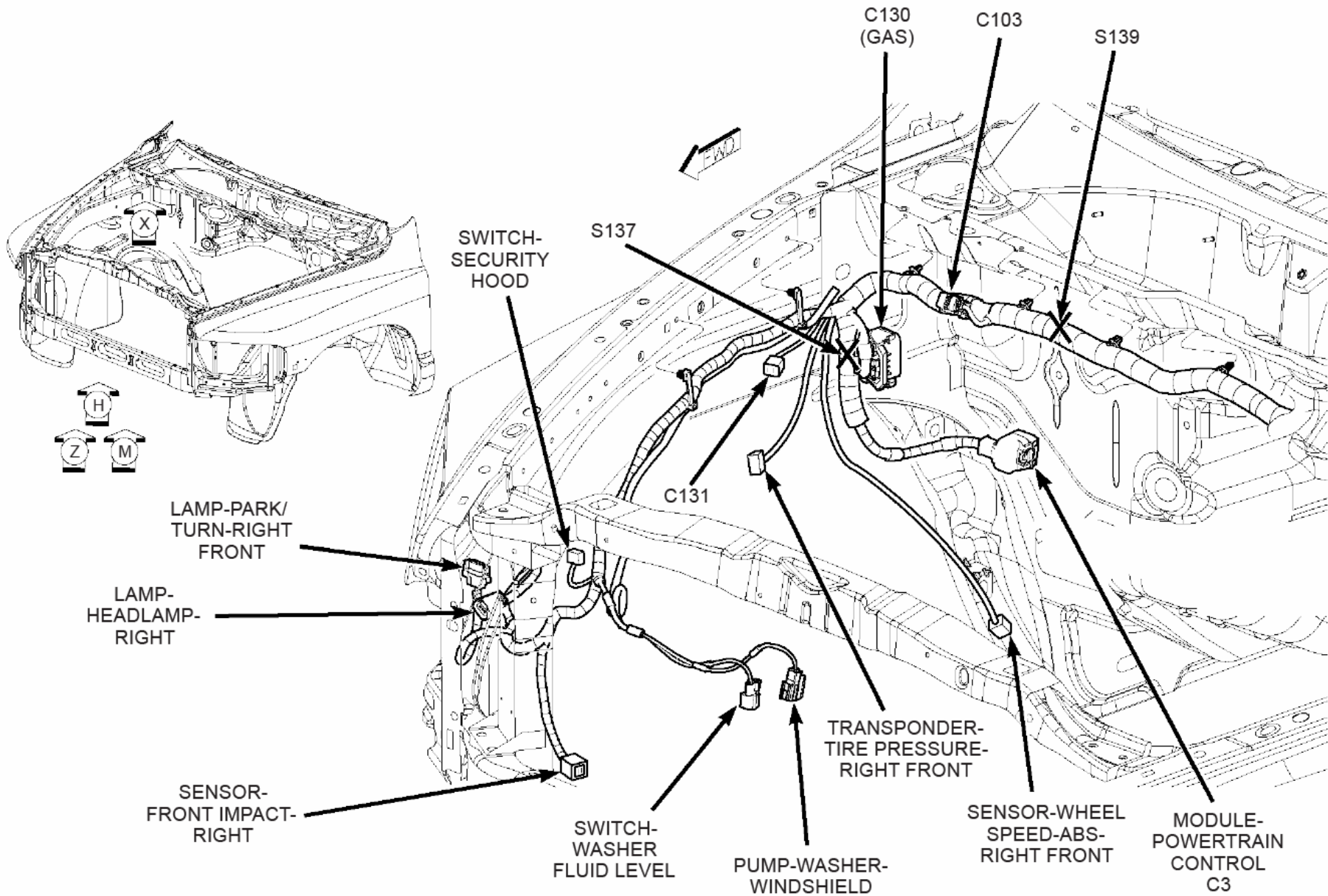


Fig. 29 RIGHT SIDE ENGINE COMPARTMENT

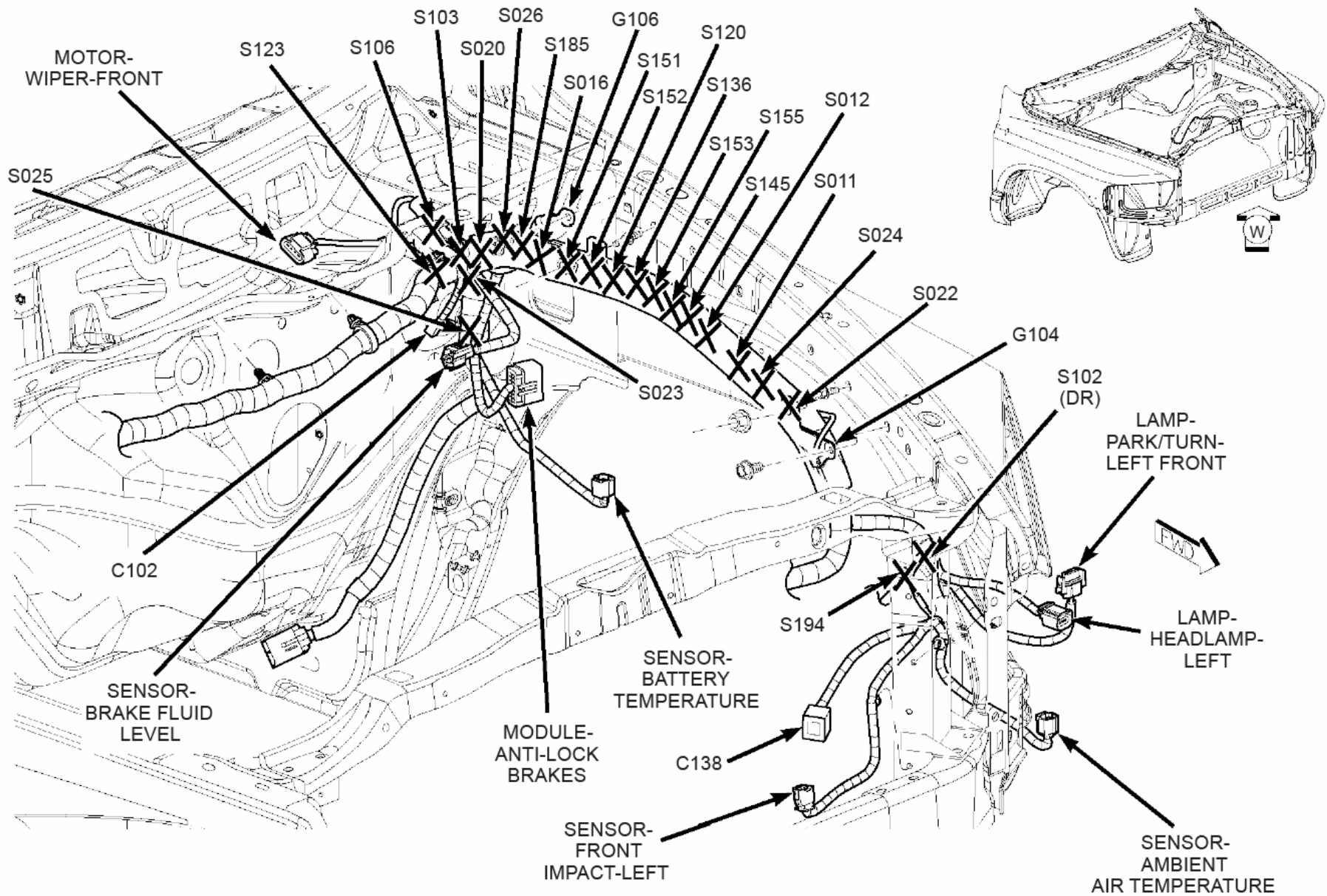


Fig. 30 LEFT ENGINE COMPARTMENT

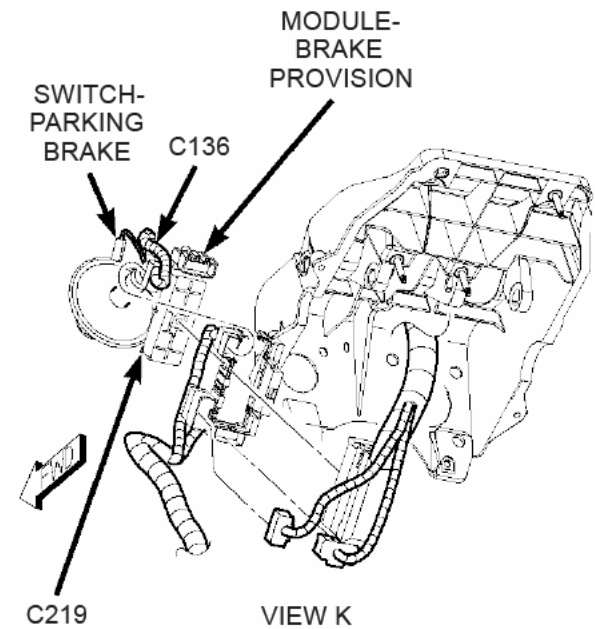
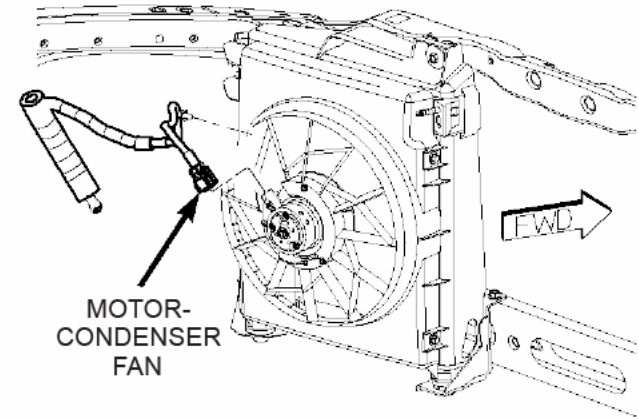
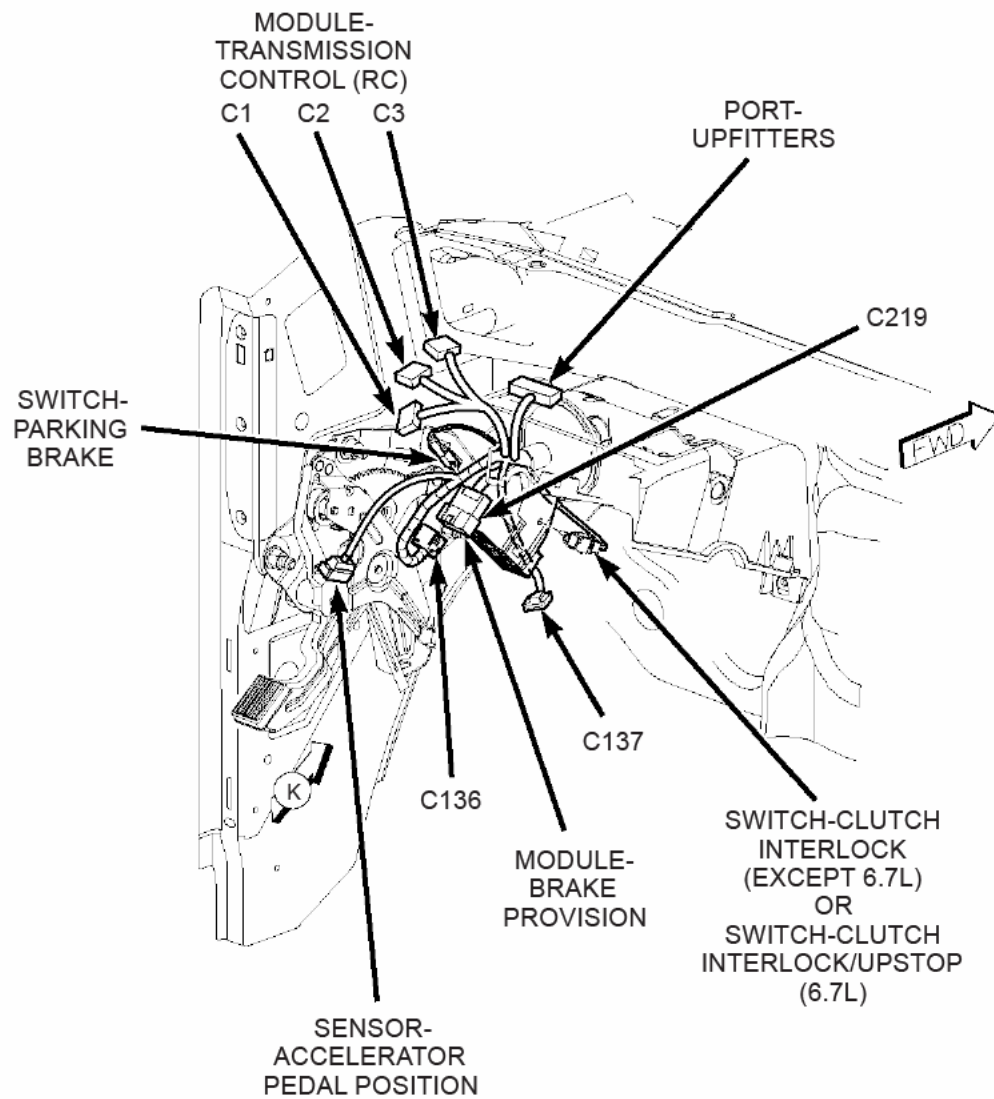


Fig. 31 ENGINE COMPARTMENT AND LEFT KICK PANEL

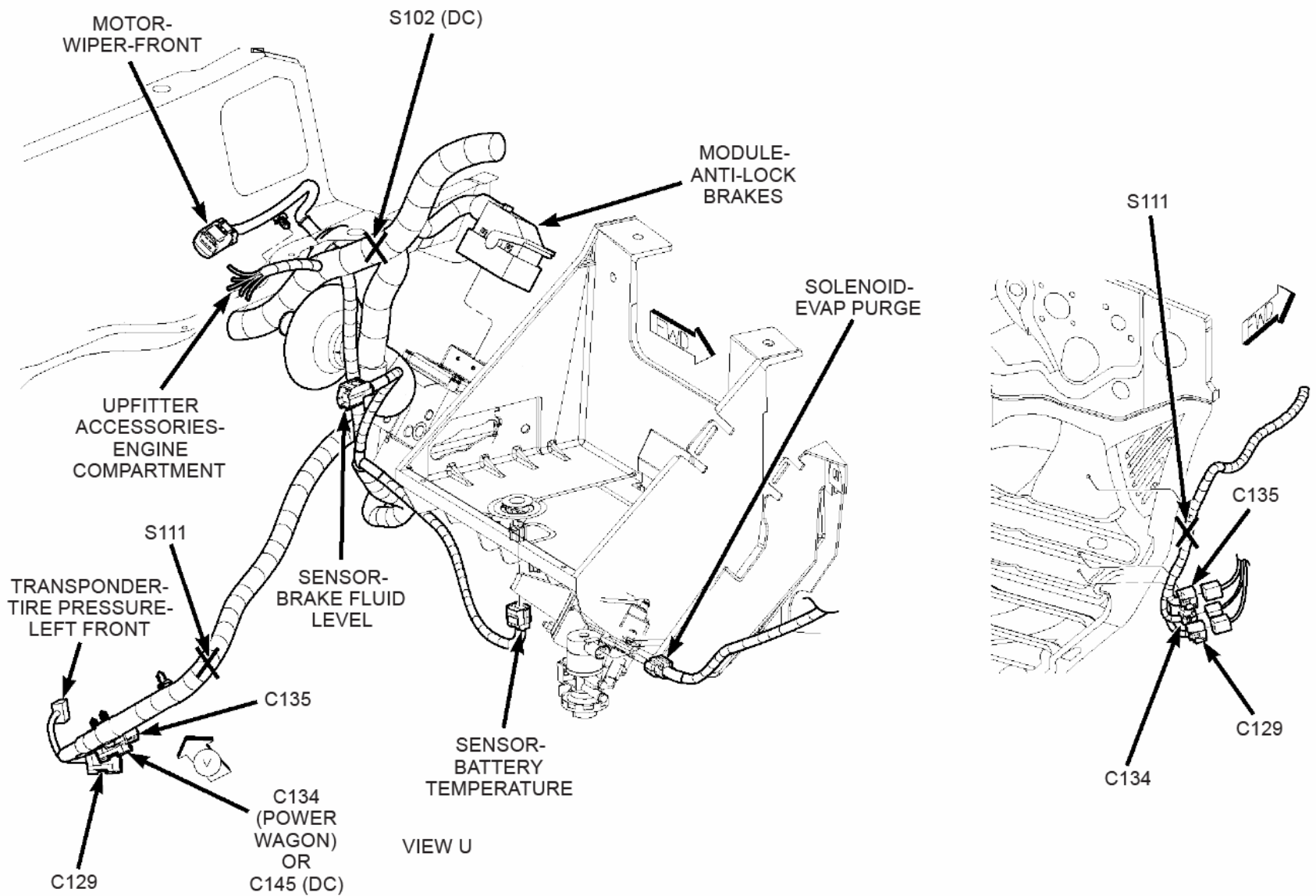
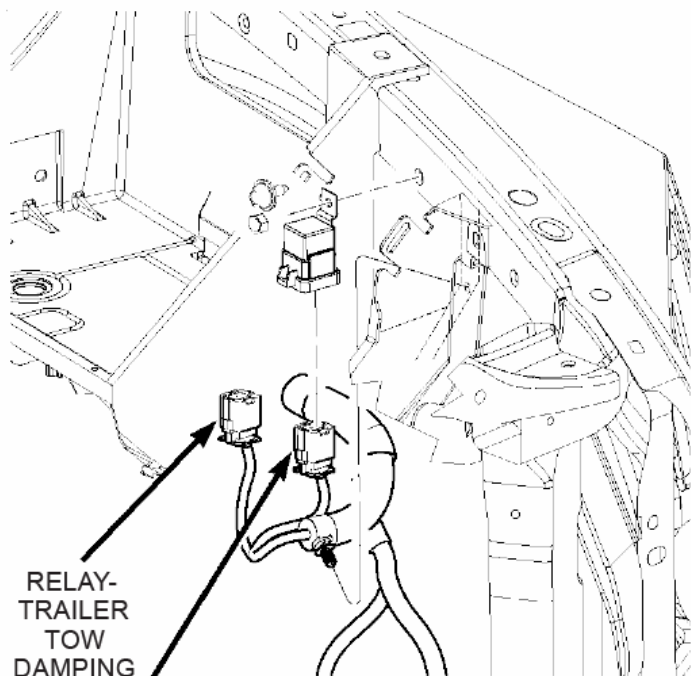


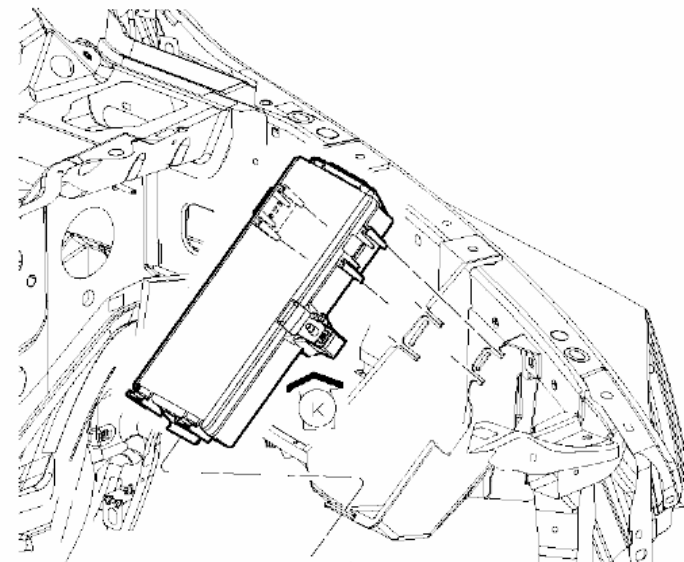
Fig. 32 LEFT SIDE ENGINE COMPARTMENT



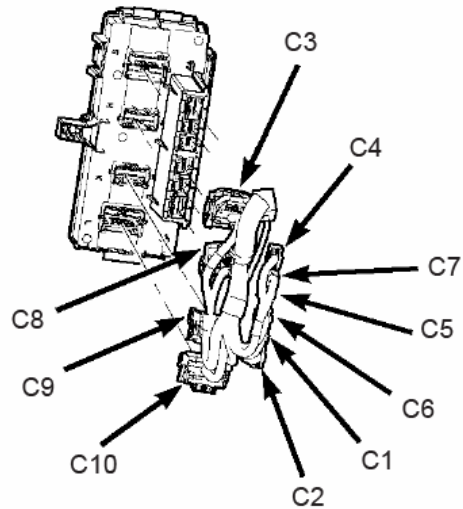
RELAY-
TRAILER
TOW
DAMPING

RELAY-
SMART
POWER

VIEW J



VIEW S



VIEW K

MODULE-TOTALLY
INTEGRATED POWER

Fig. 33 LEFT FRONT ENGINE COMPARTMENT

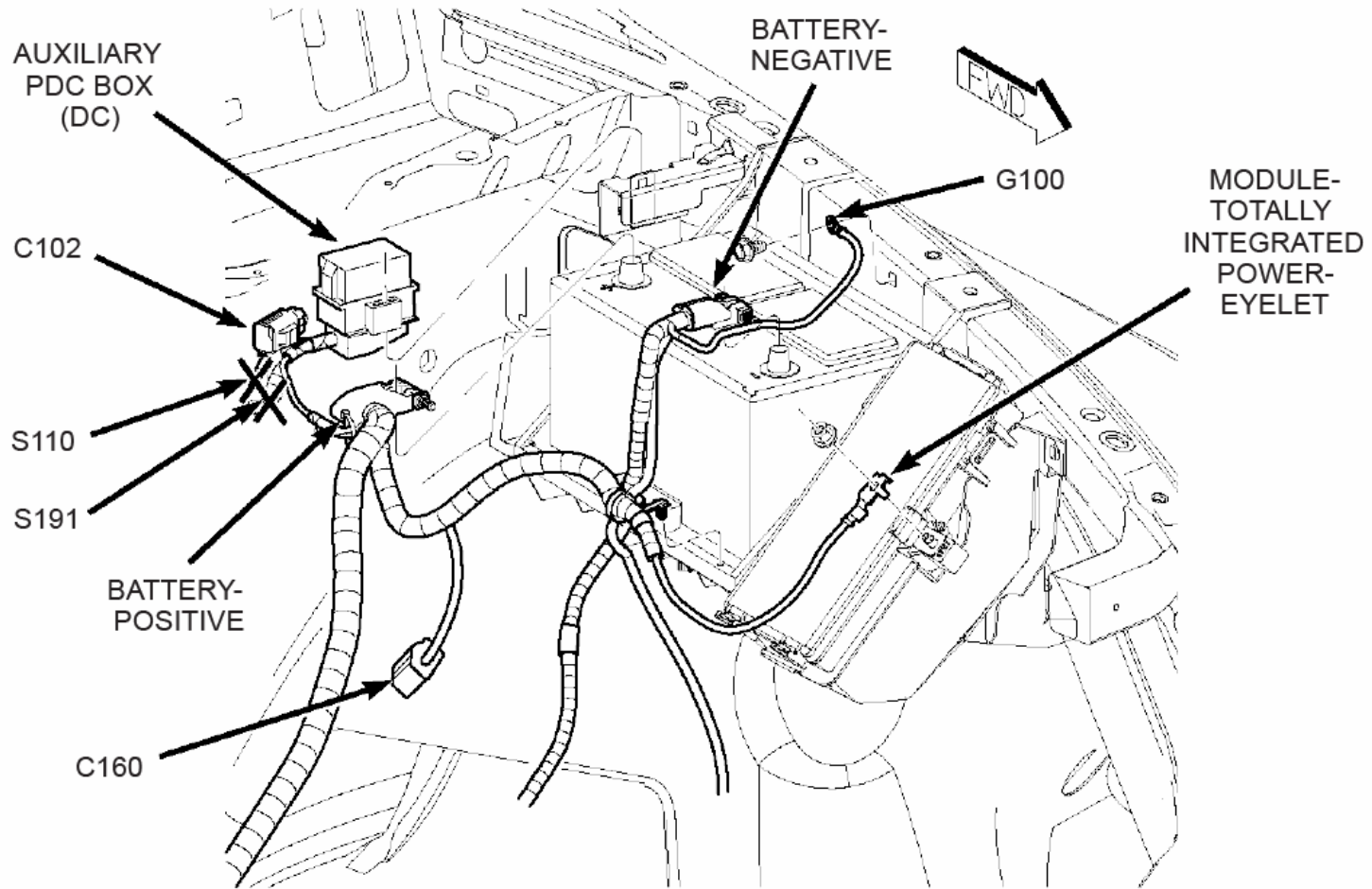


Fig. 34 BATTERY

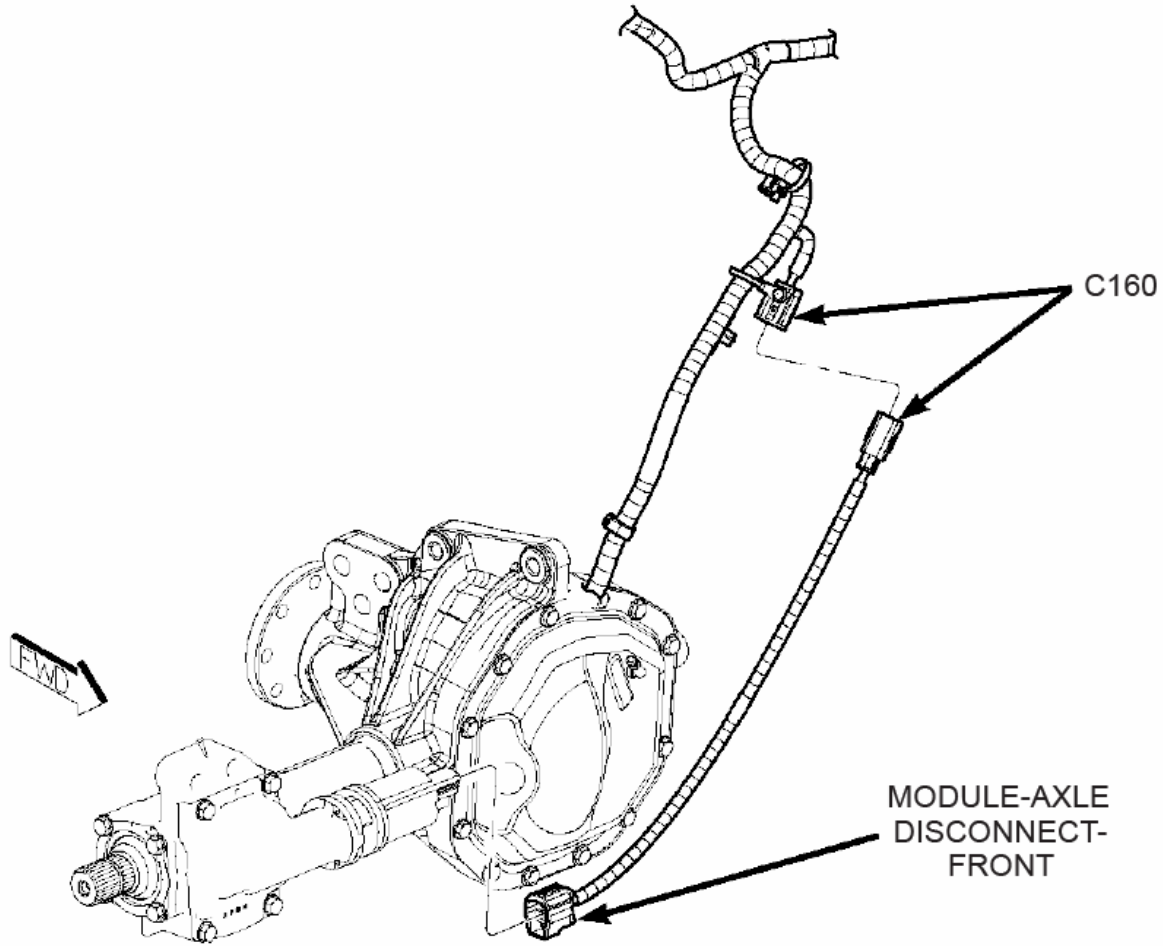
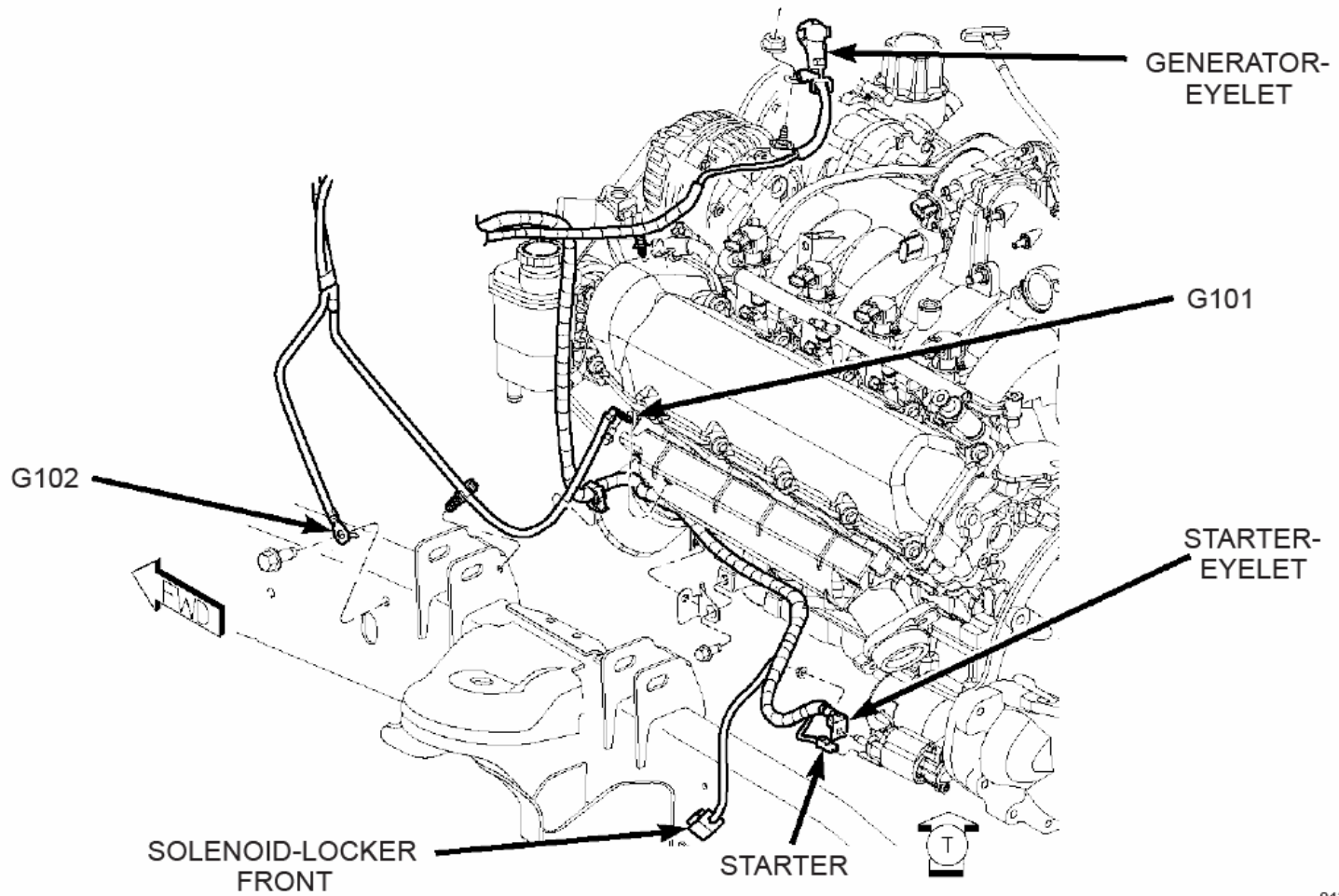


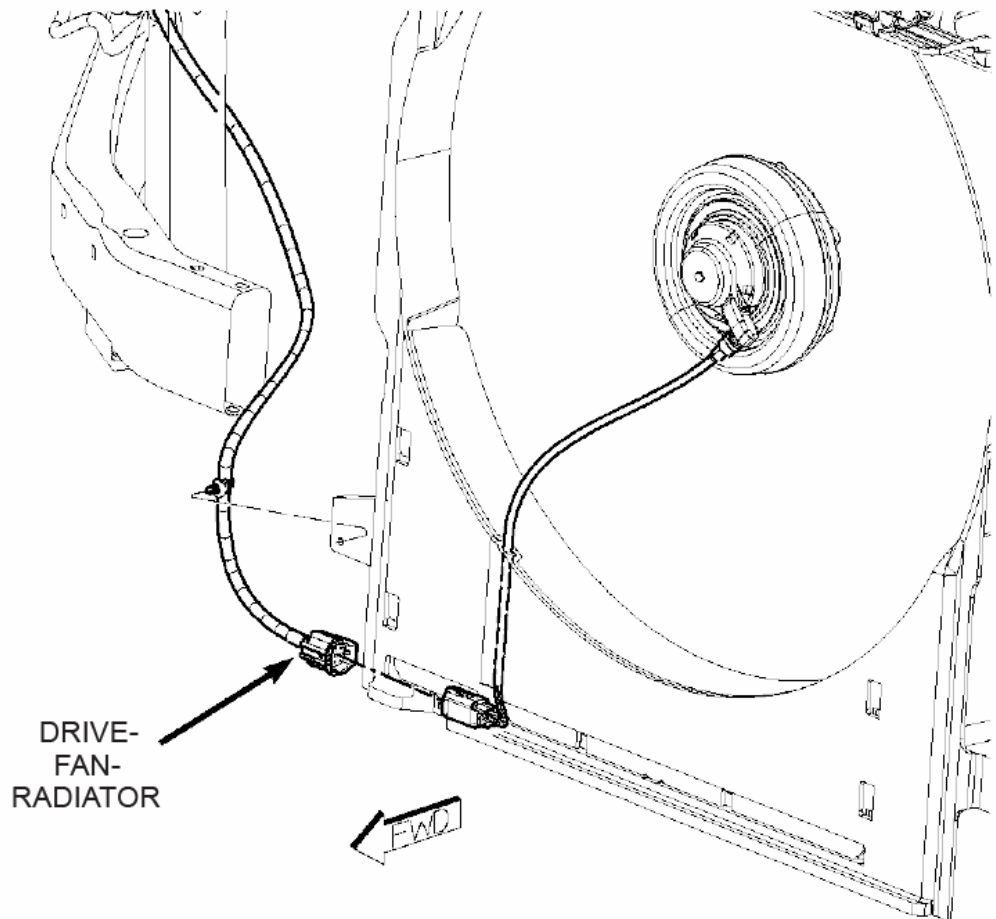
Fig. 35 FRONT AXLE DISCONNECT JUMPER

8195a3ca



812d16ef

Fig. 36 LEFT GROUNDS AND STARTER



DRIVE-
FAN-
RADIATOR

FWD

8103642b

Fig. 37 FRONT ENGINE COMPARTMENT

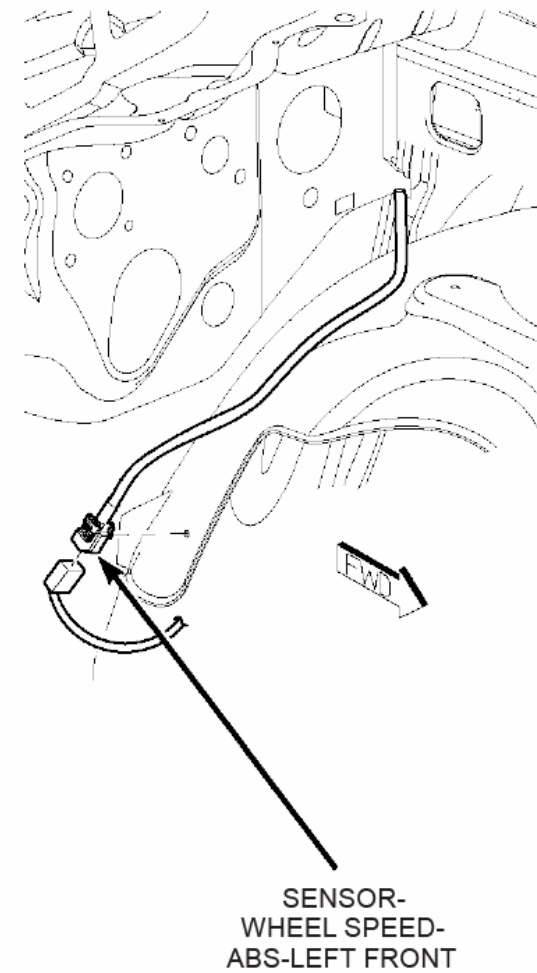
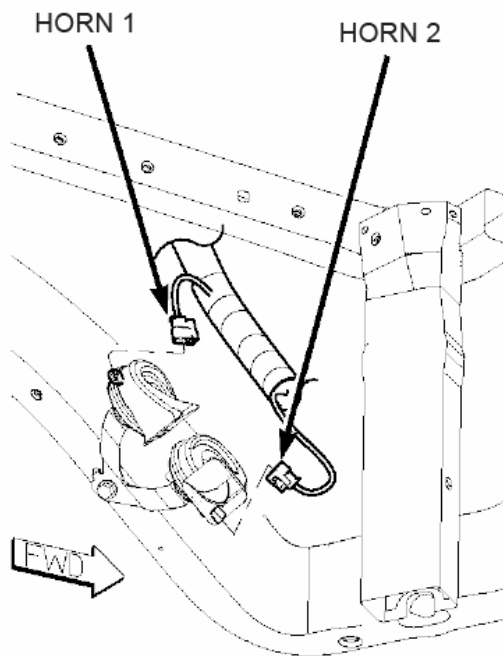
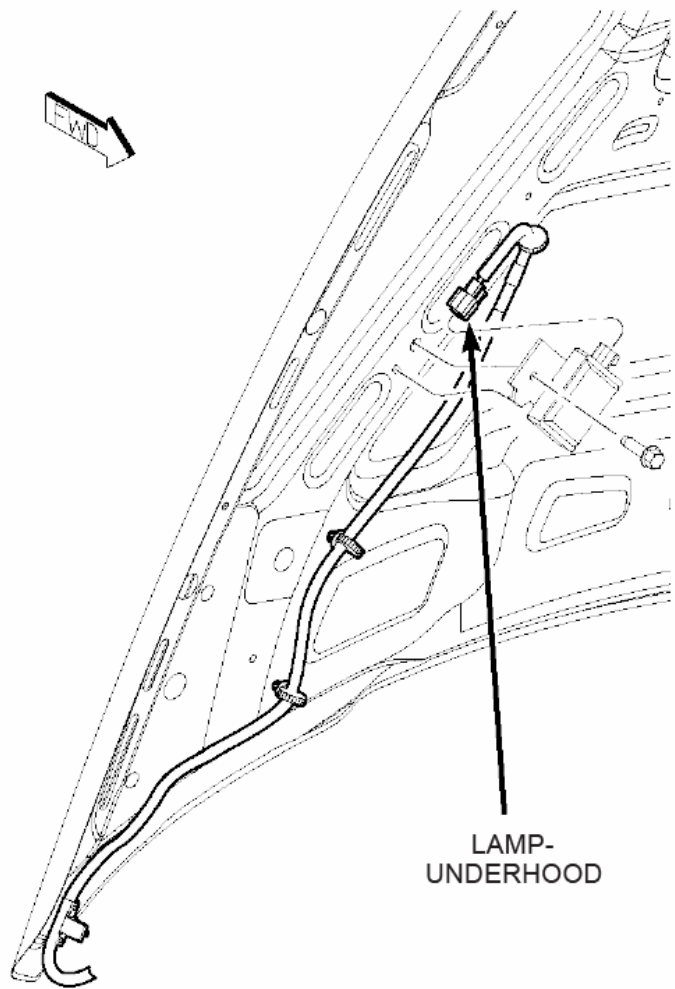
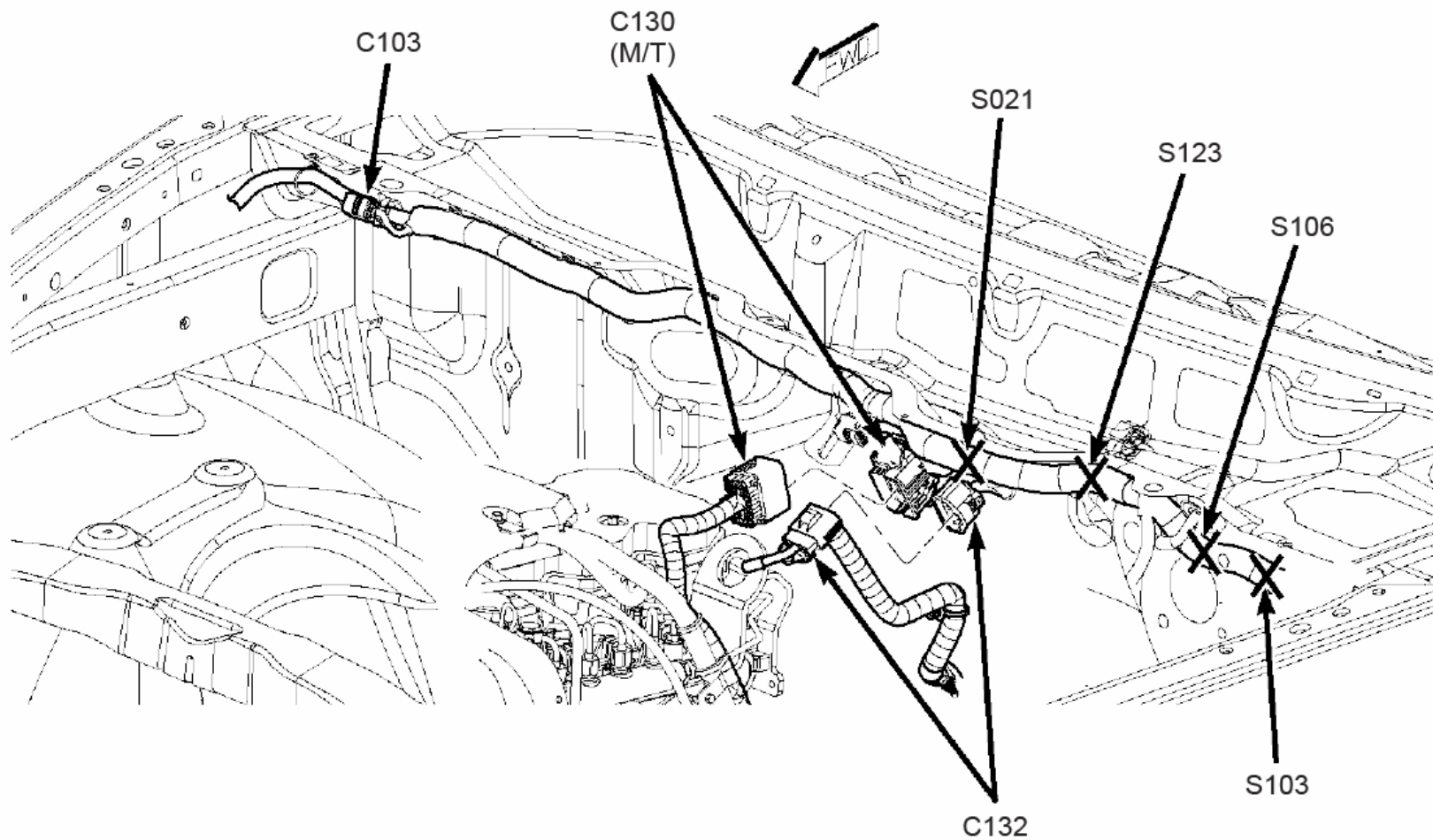


Fig. 38 LEFT SIDE ENGINE COMPARTMENT



8141c720

Fig. 39 REAR ENGINE COMPARTMENT INLINES (DIESEL)

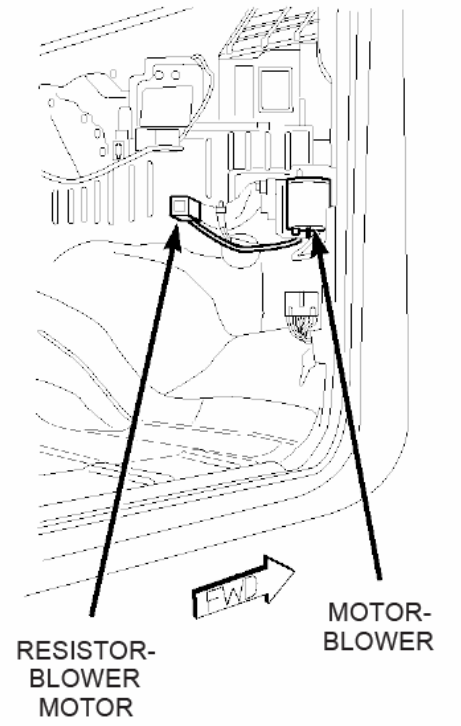
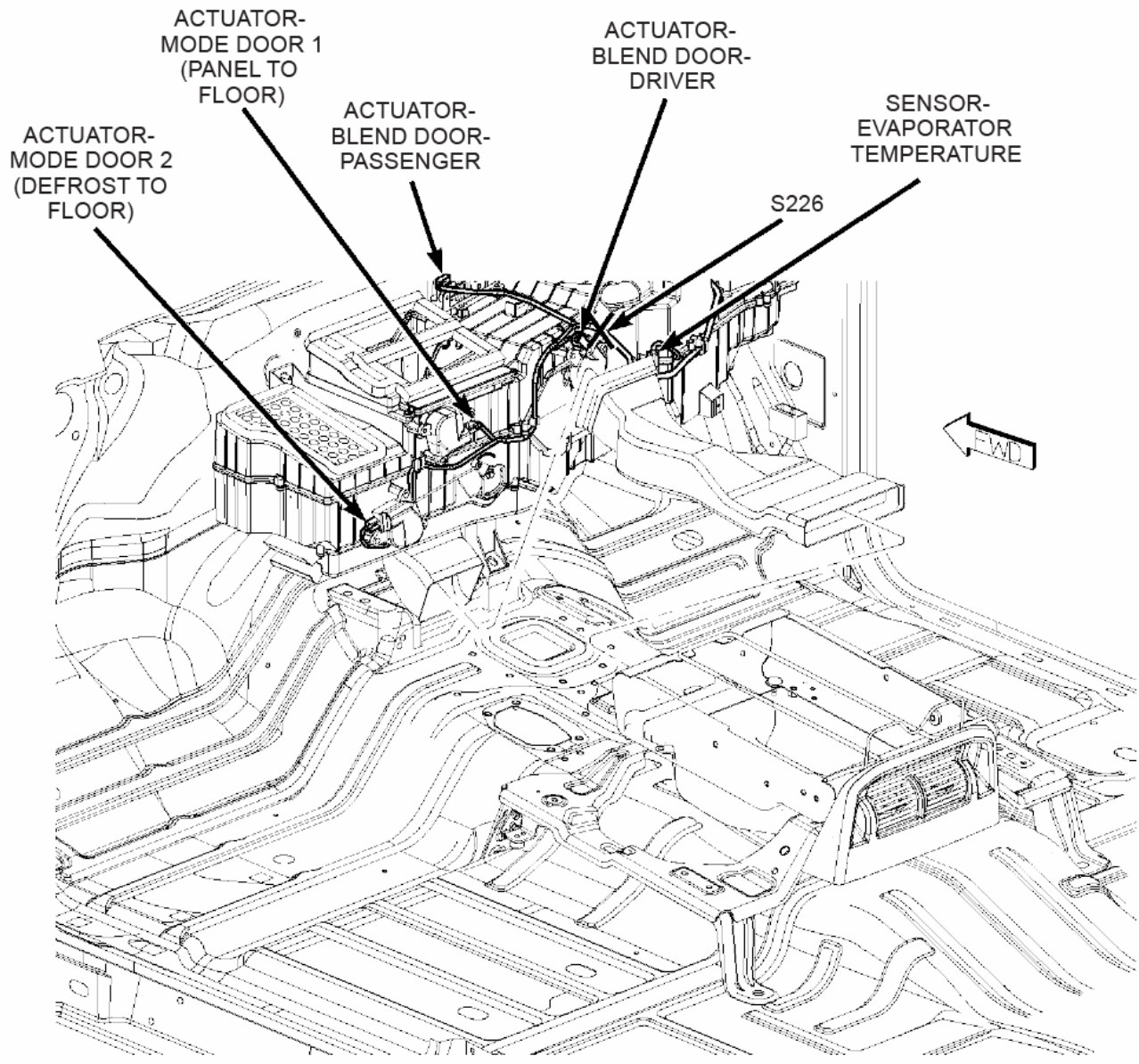


Fig. 40 HVAC ASSEMBLY

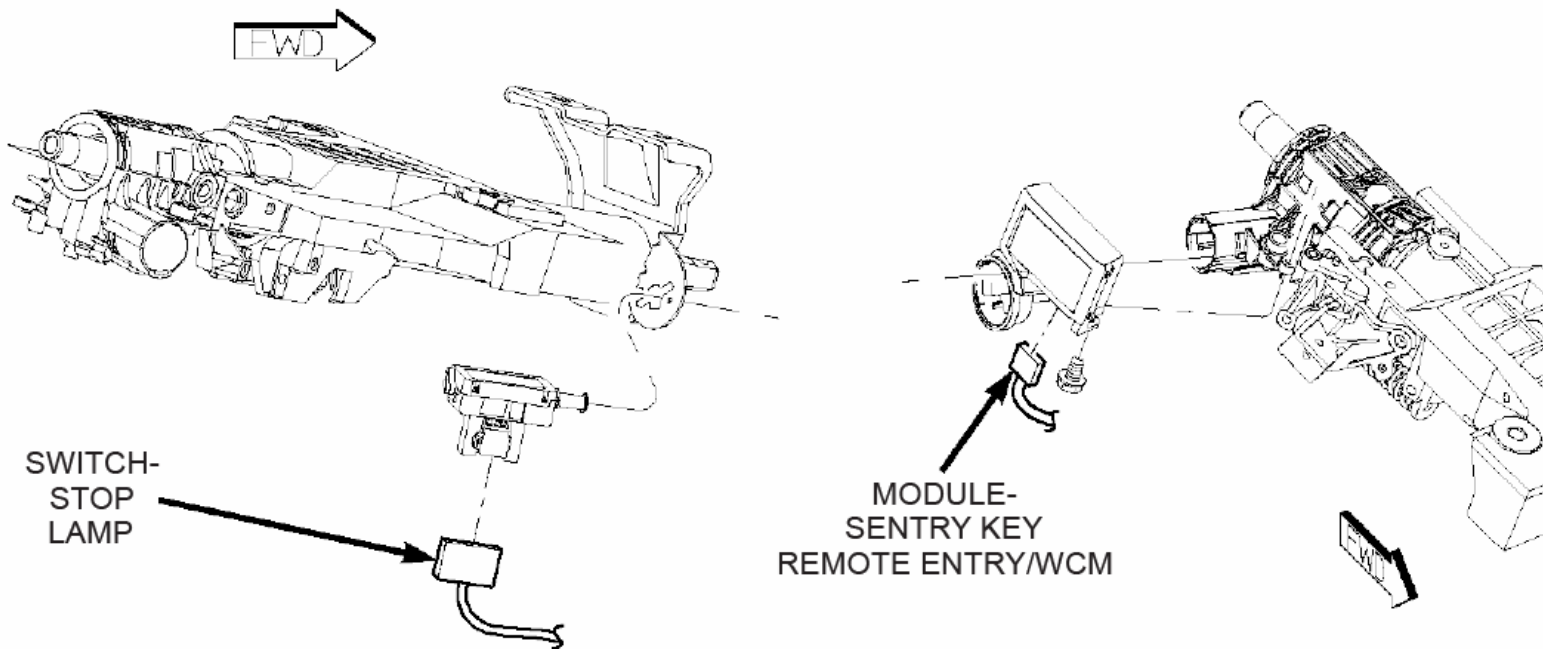


Fig. 41 STEERING COLUMN

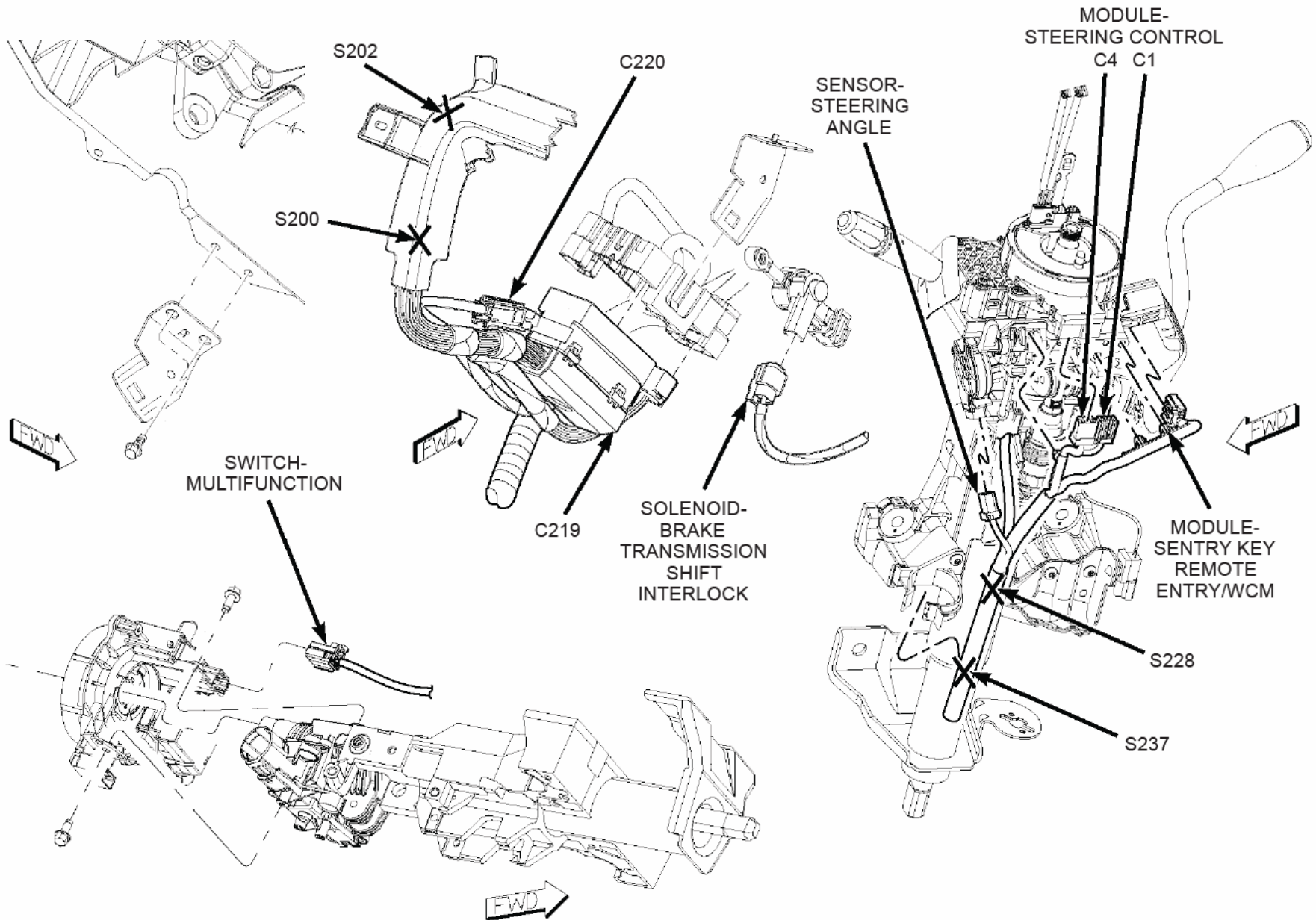
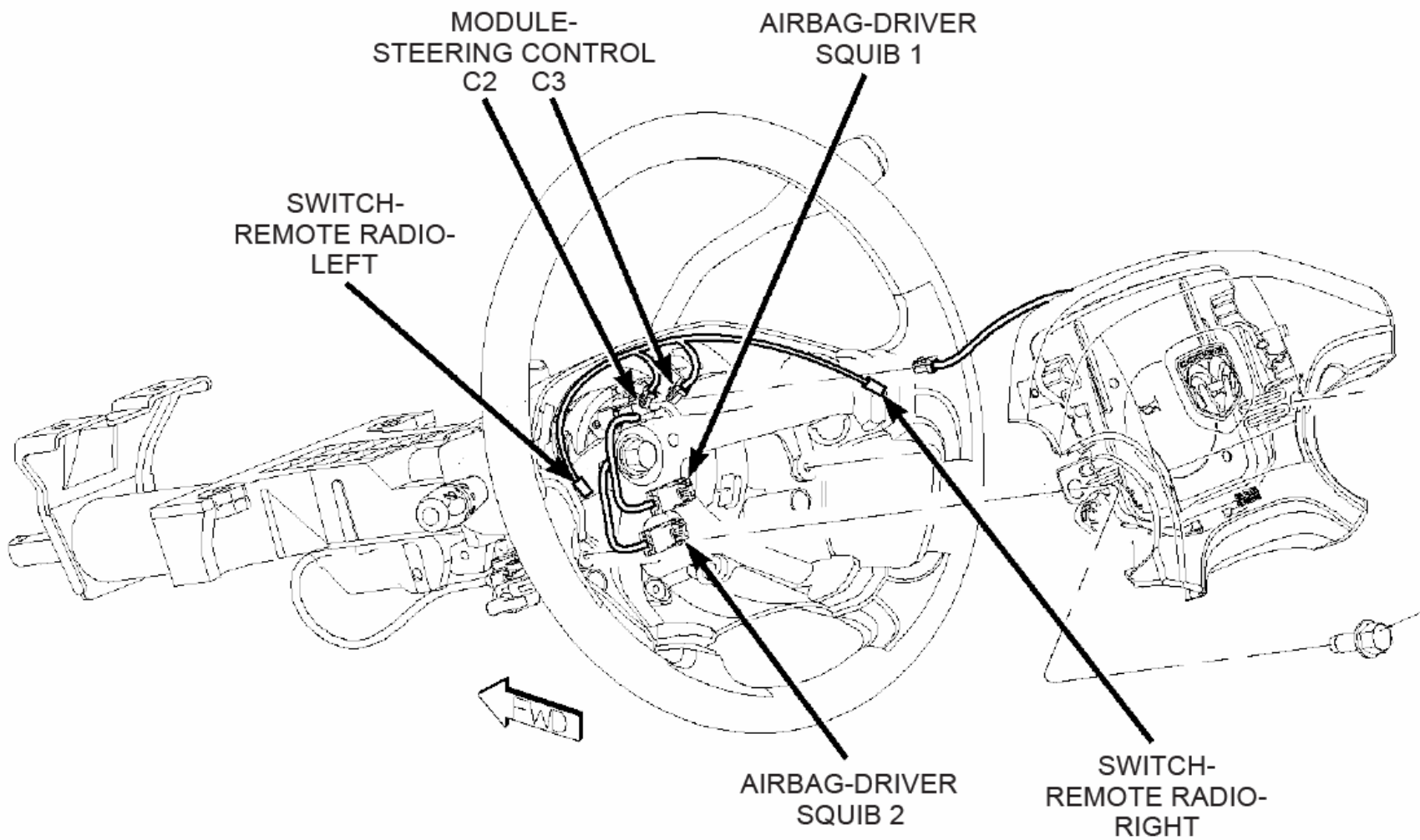


Fig. 42 LEFT STEERING COLUMN



8131ee91

Fig. 43 STEERING WHEEL

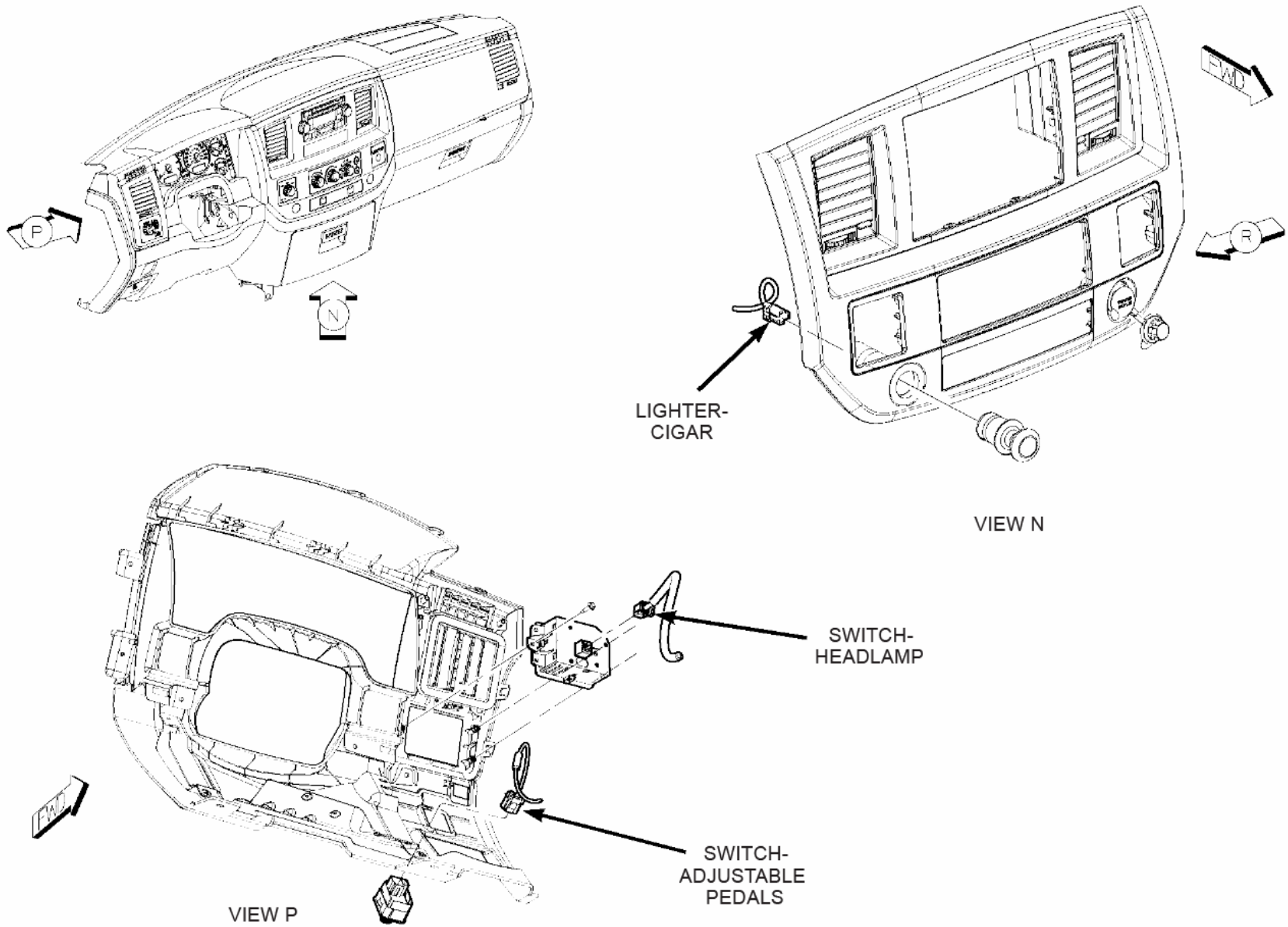


Fig. 44 LEFT SIDE OF CENTER STACK

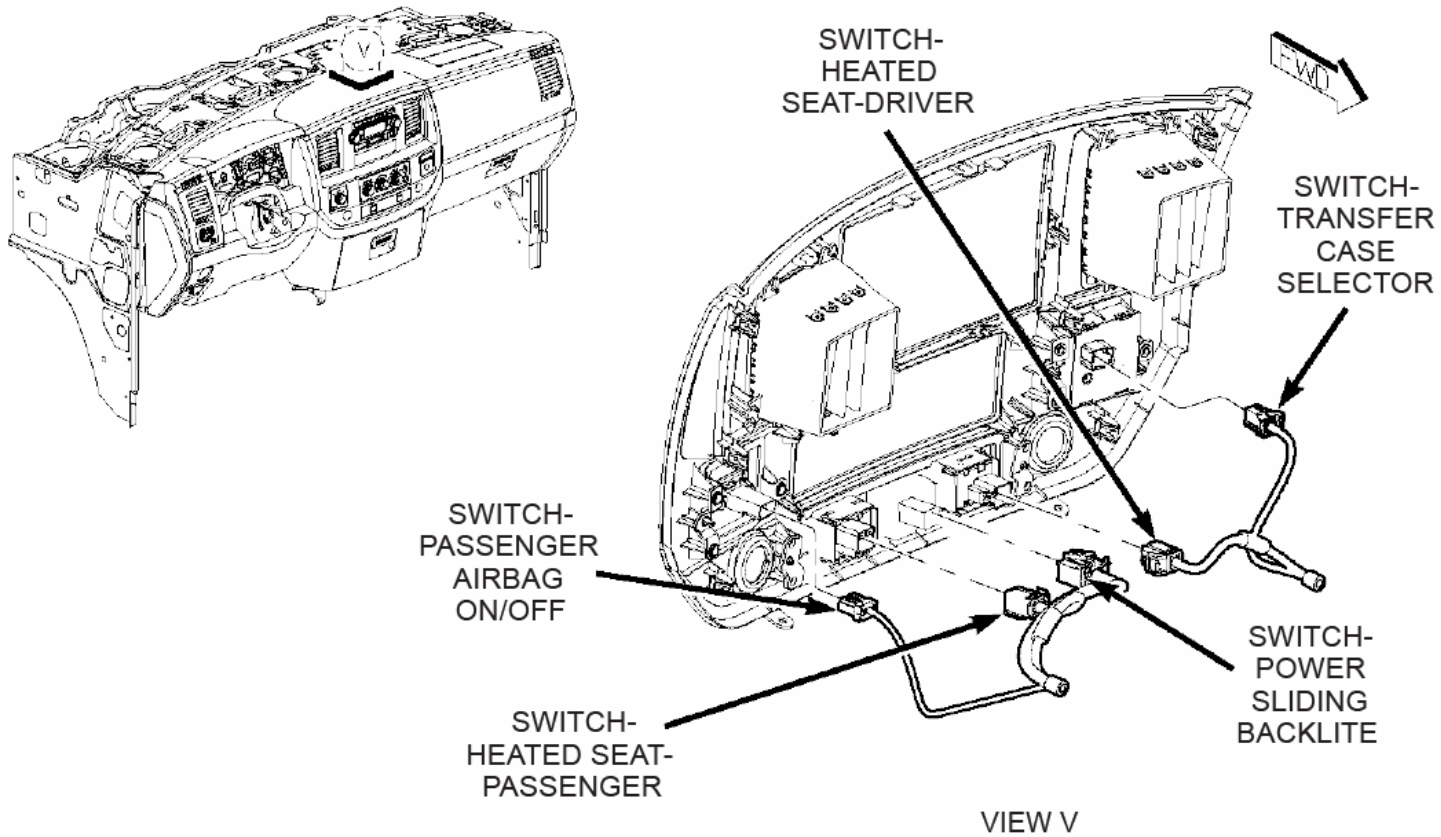
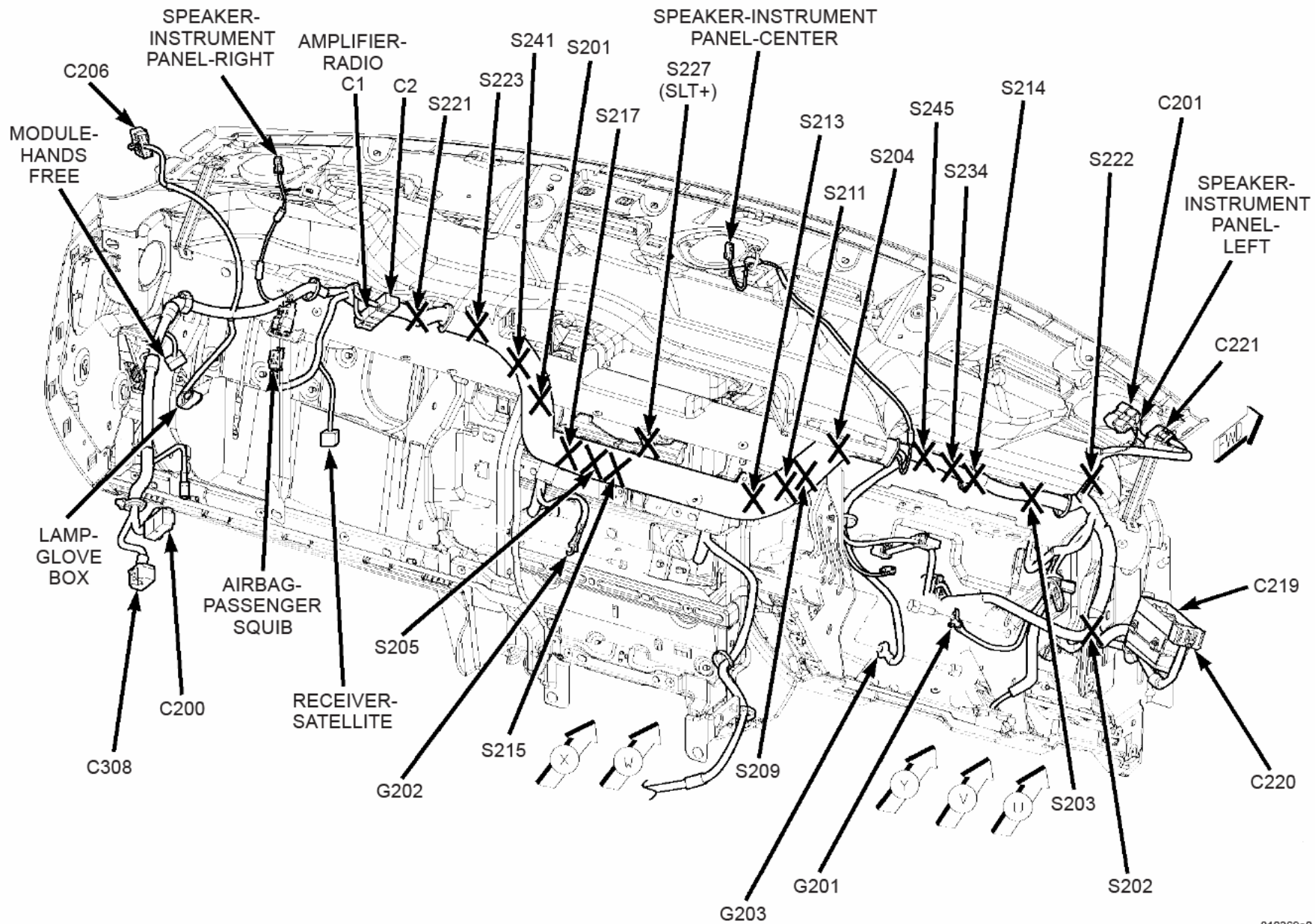


Fig. 45 CENTER STACK



810369e0

Fig. 46 INSTRUMENT PANEL

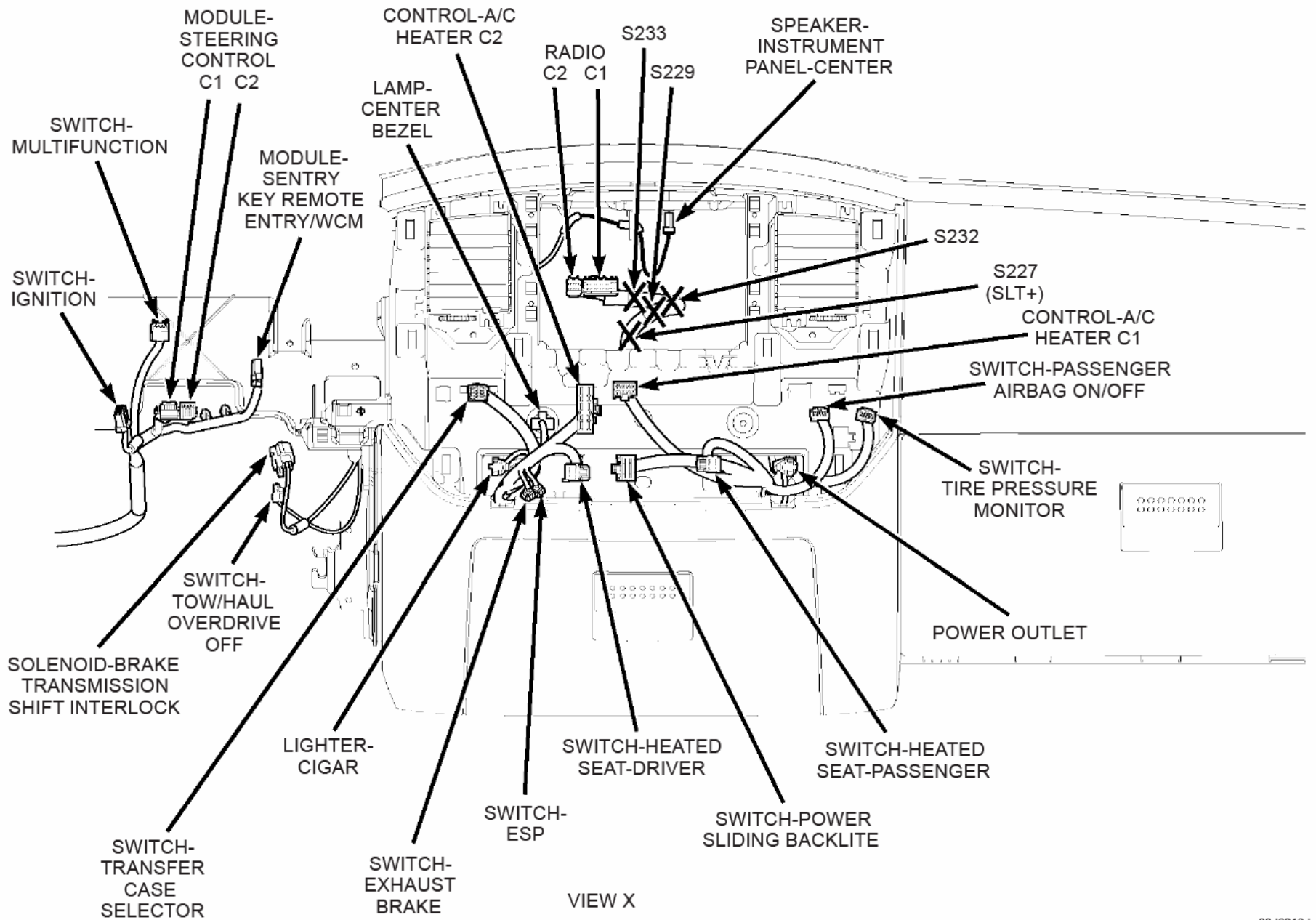
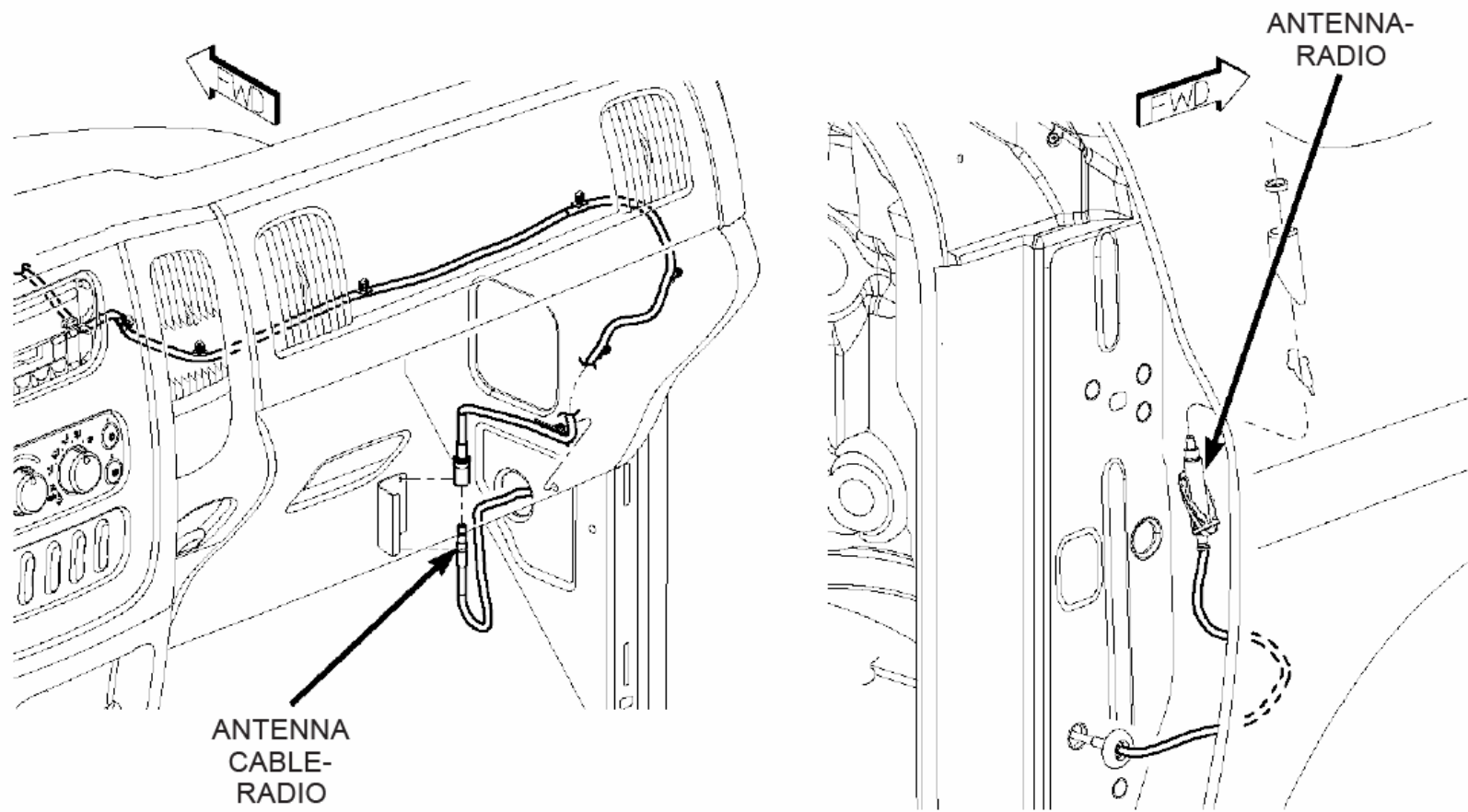


Fig. 47 LEFT AND CENTER INSTRUMENT PANEL



811d81f5

Fig. 48 RADIO ANTENNA

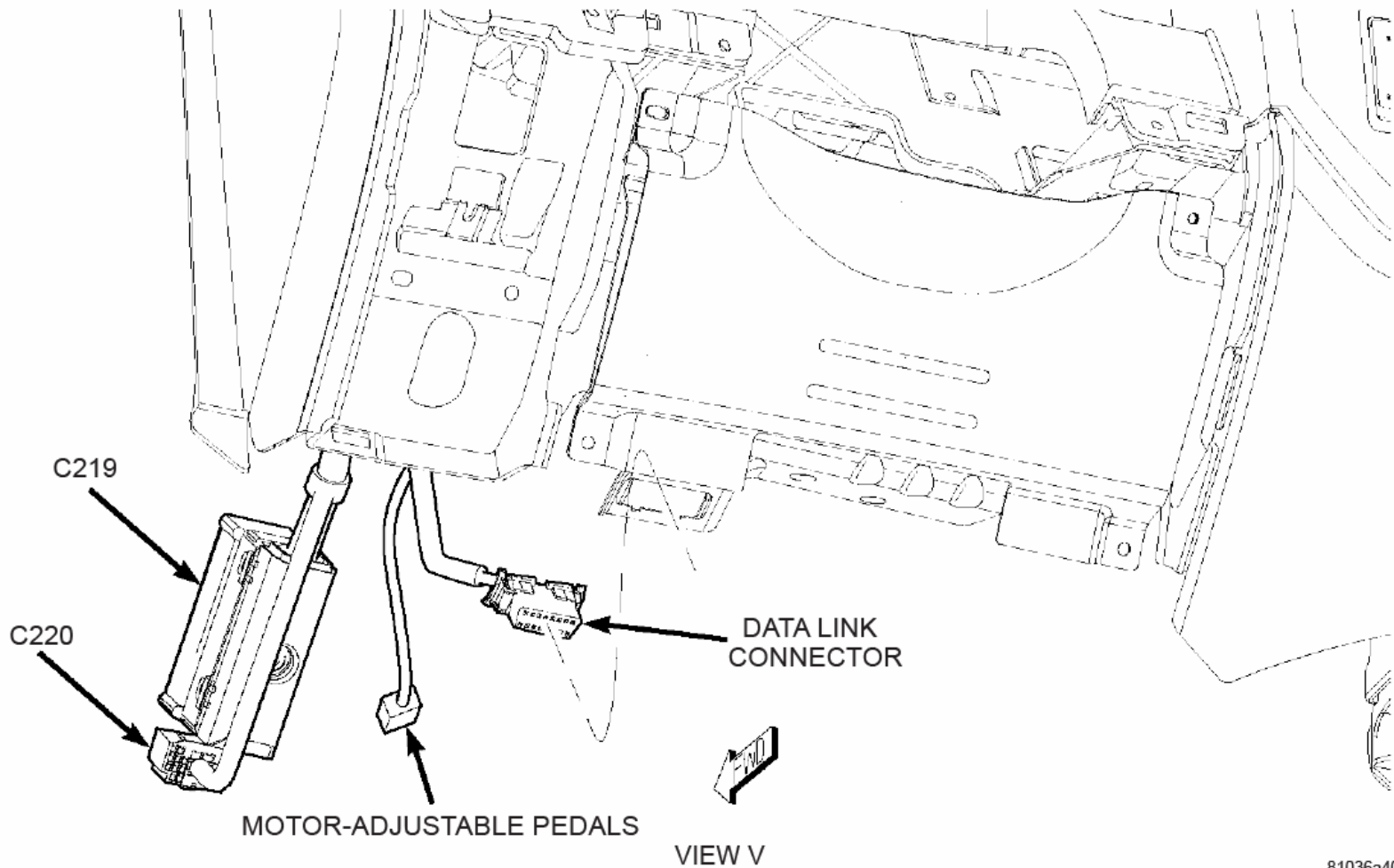
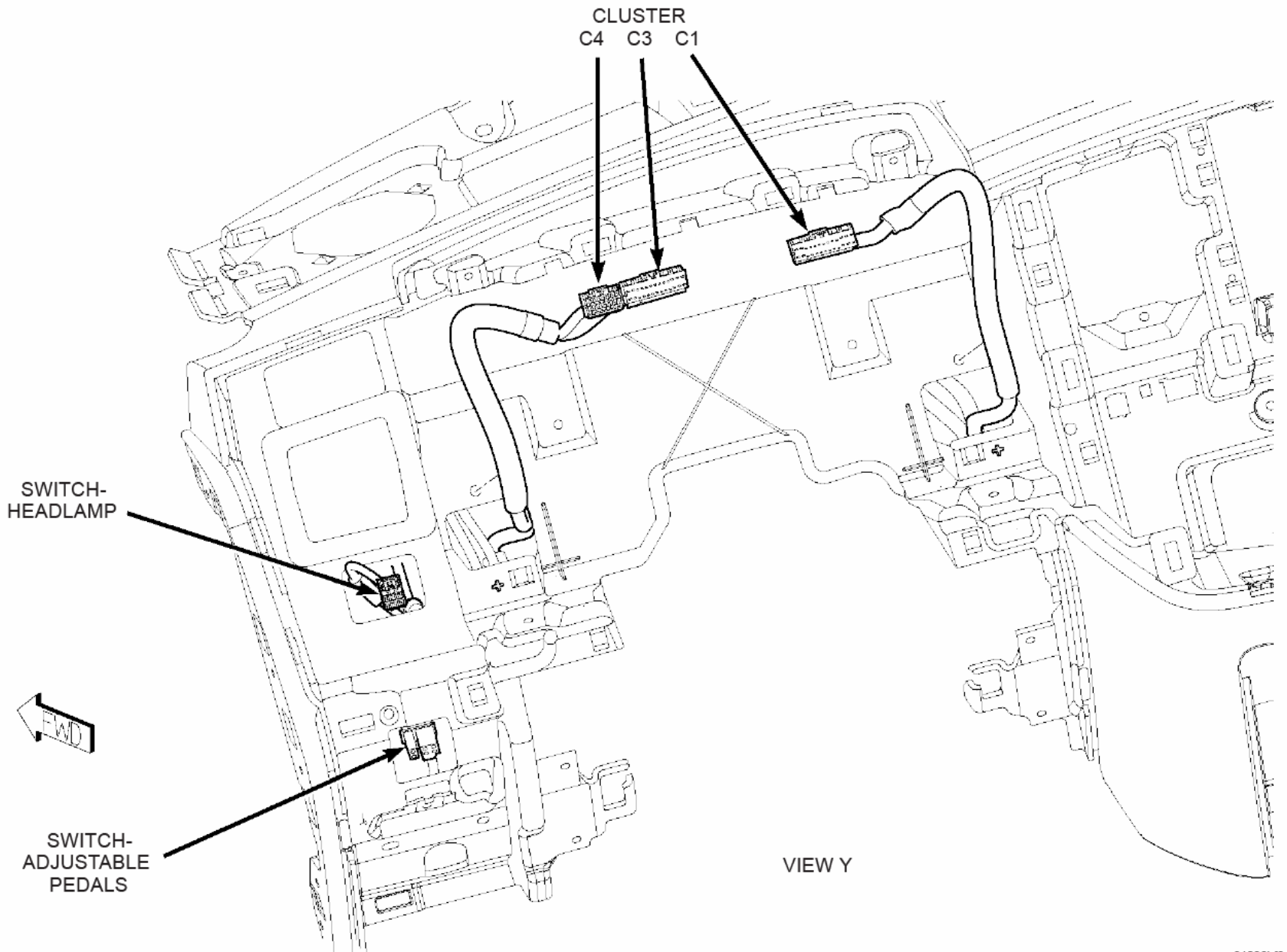
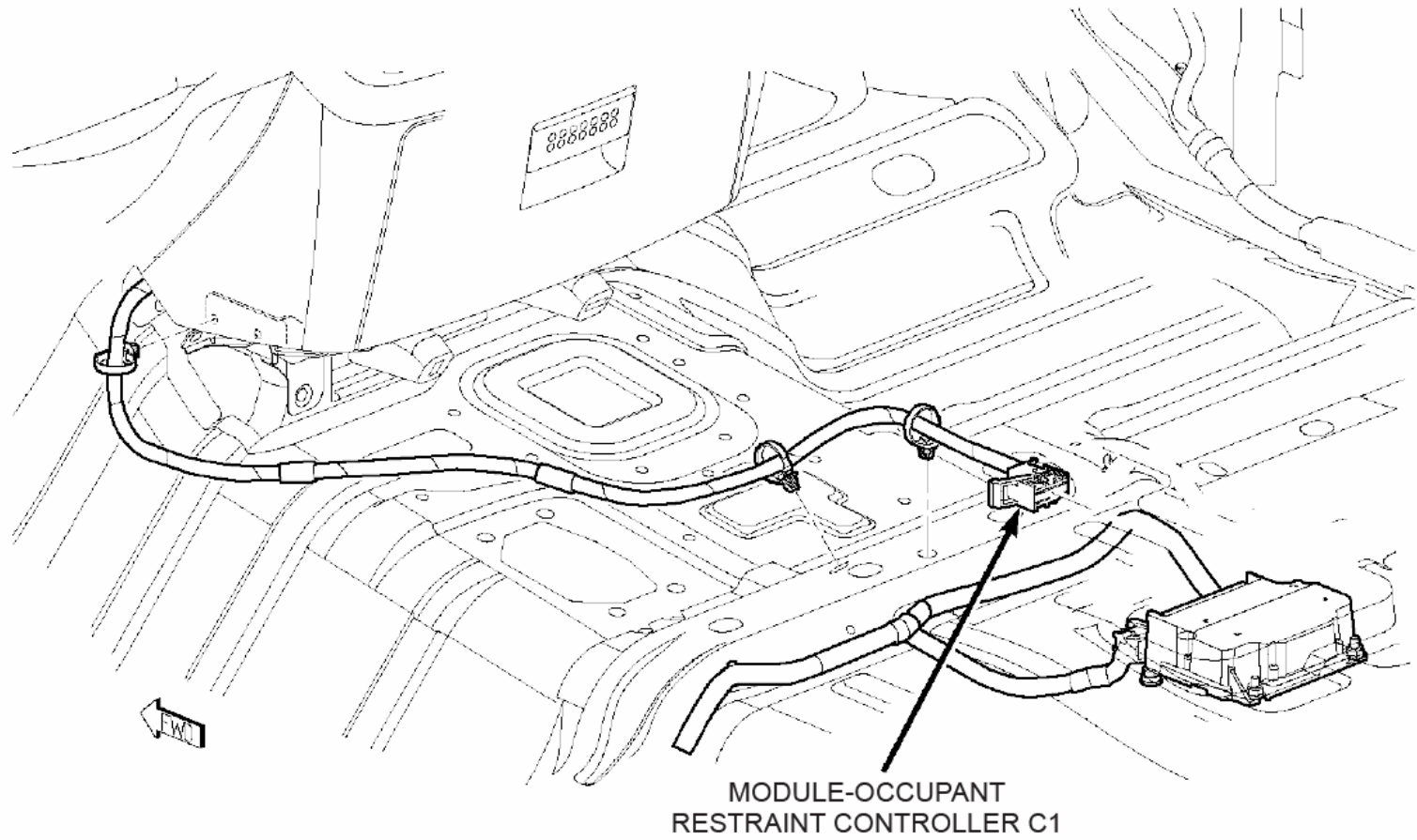


Fig. 49 LOWER LEFT INSTRUMENT PANEL



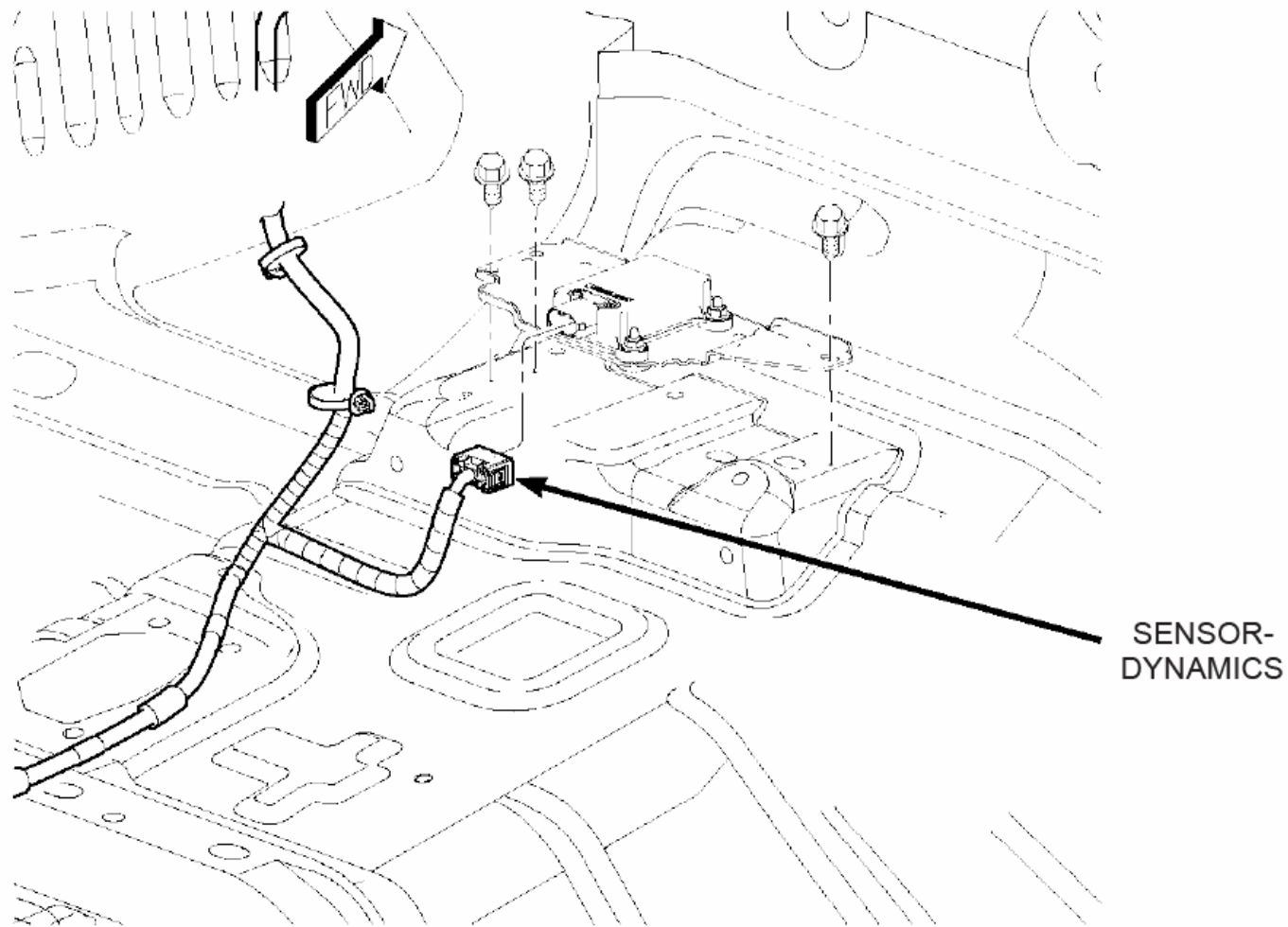
81036bf6

Fig. 50 LEFT INSTRUMENT PANEL



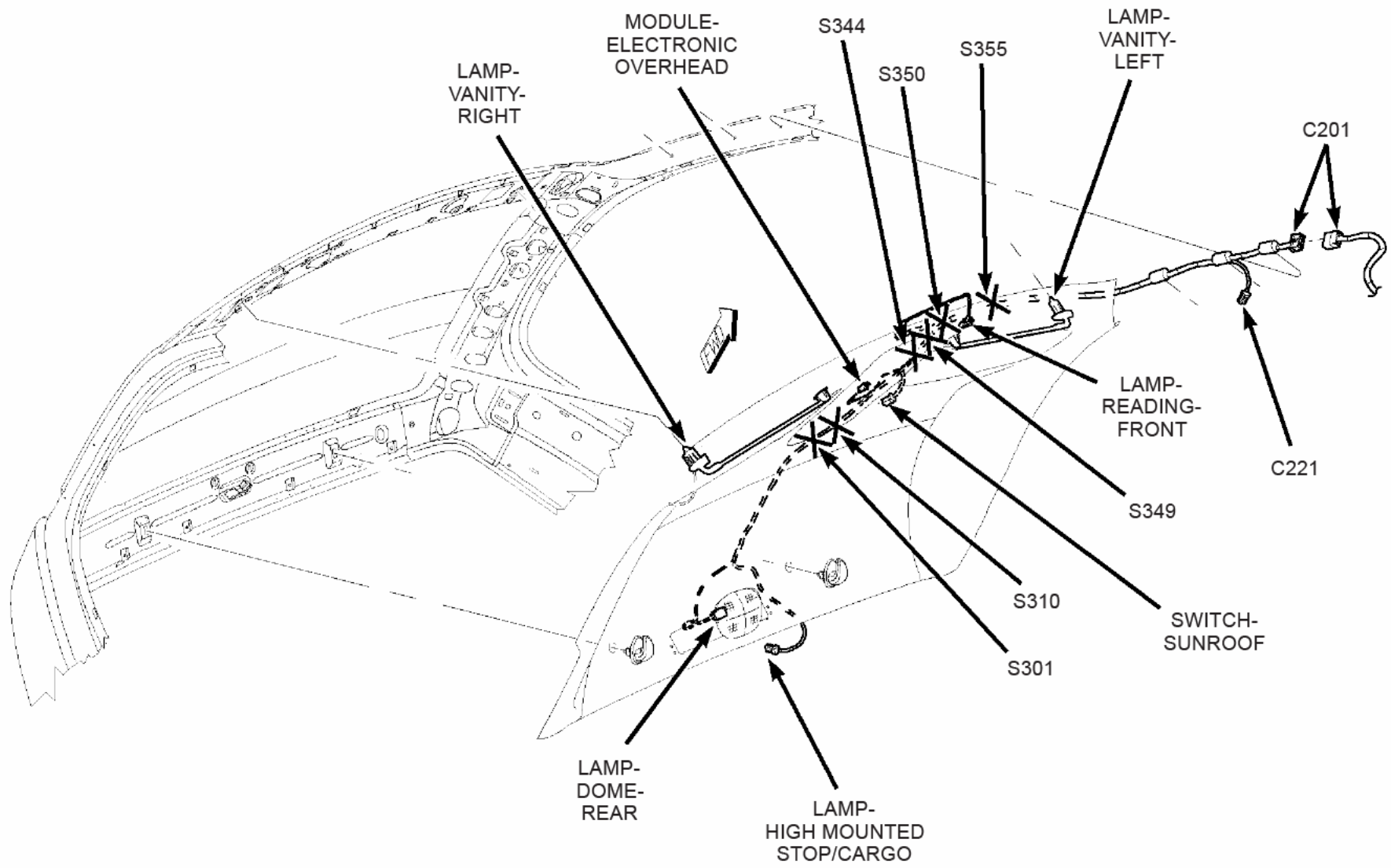
81646204

Fig. 51 FRONT CENTER BODY



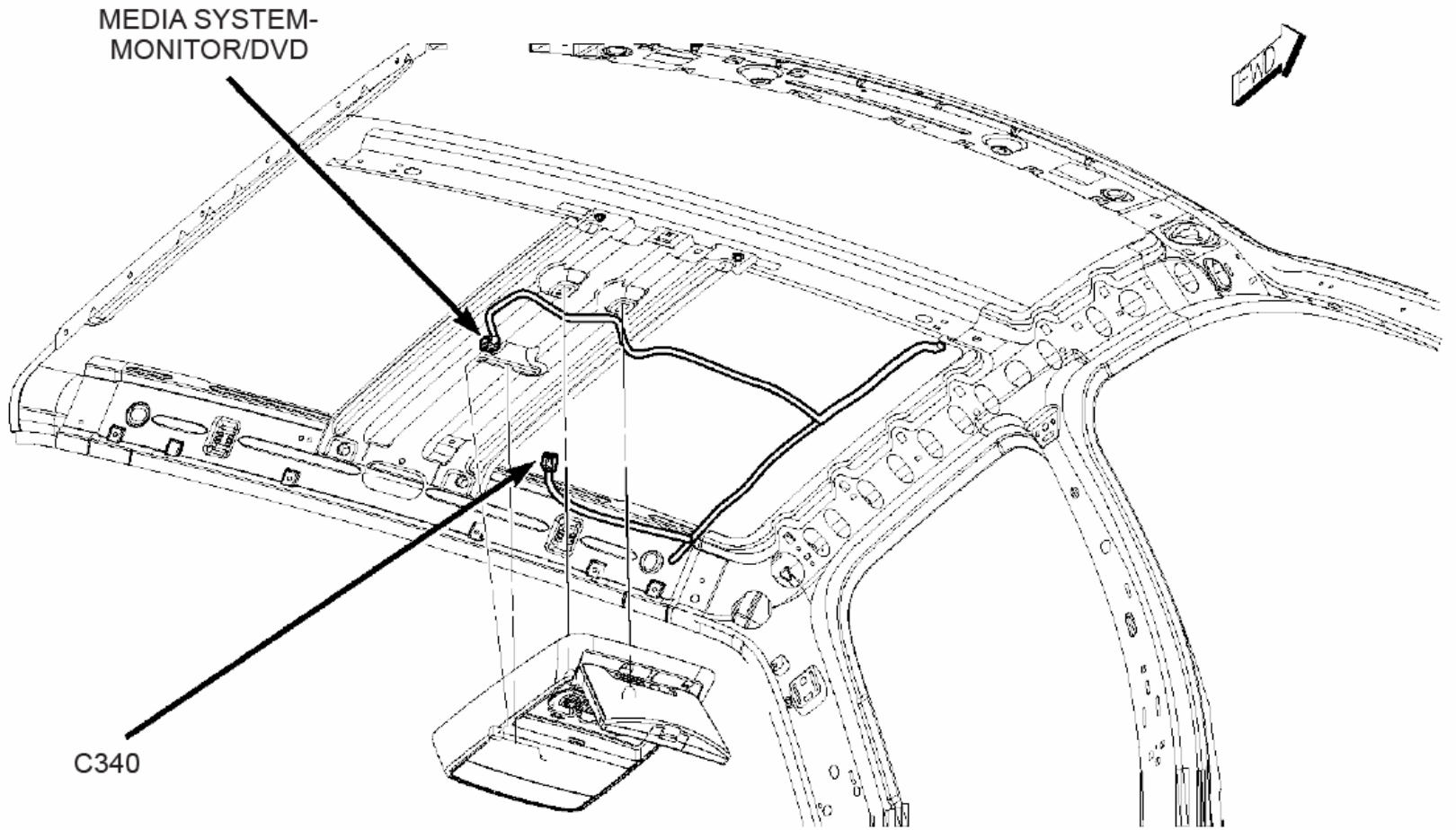
SENSOR-DYNAMICS

Fig. 52 BASE OF CENTER STACK



(STD) HEADLINER

Fig. 53 HEADLINER



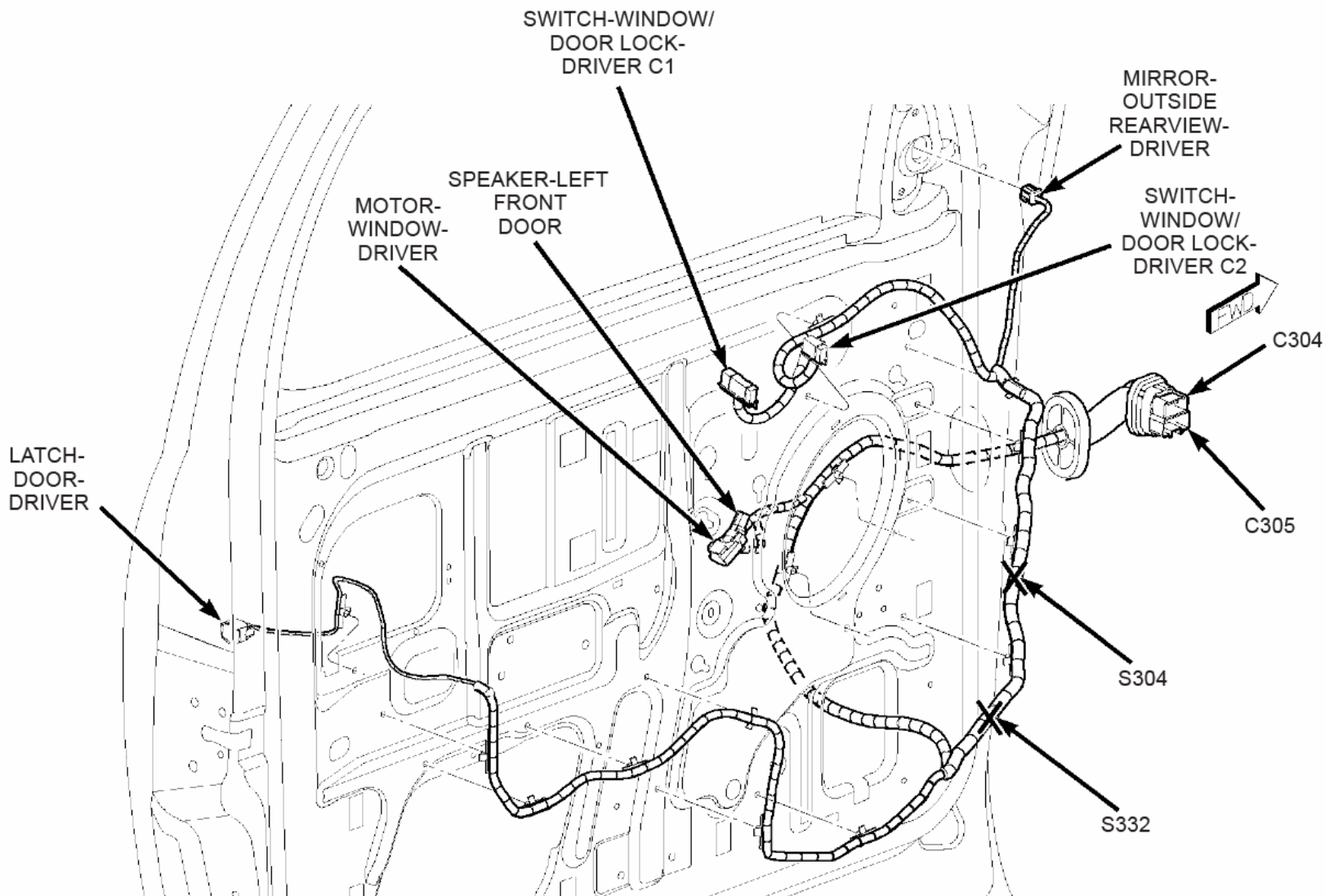
MEDIA SYSTEM-
MONITOR/DVD

C340

END

8164621a

Fig. 54 CENTER HEADLINER



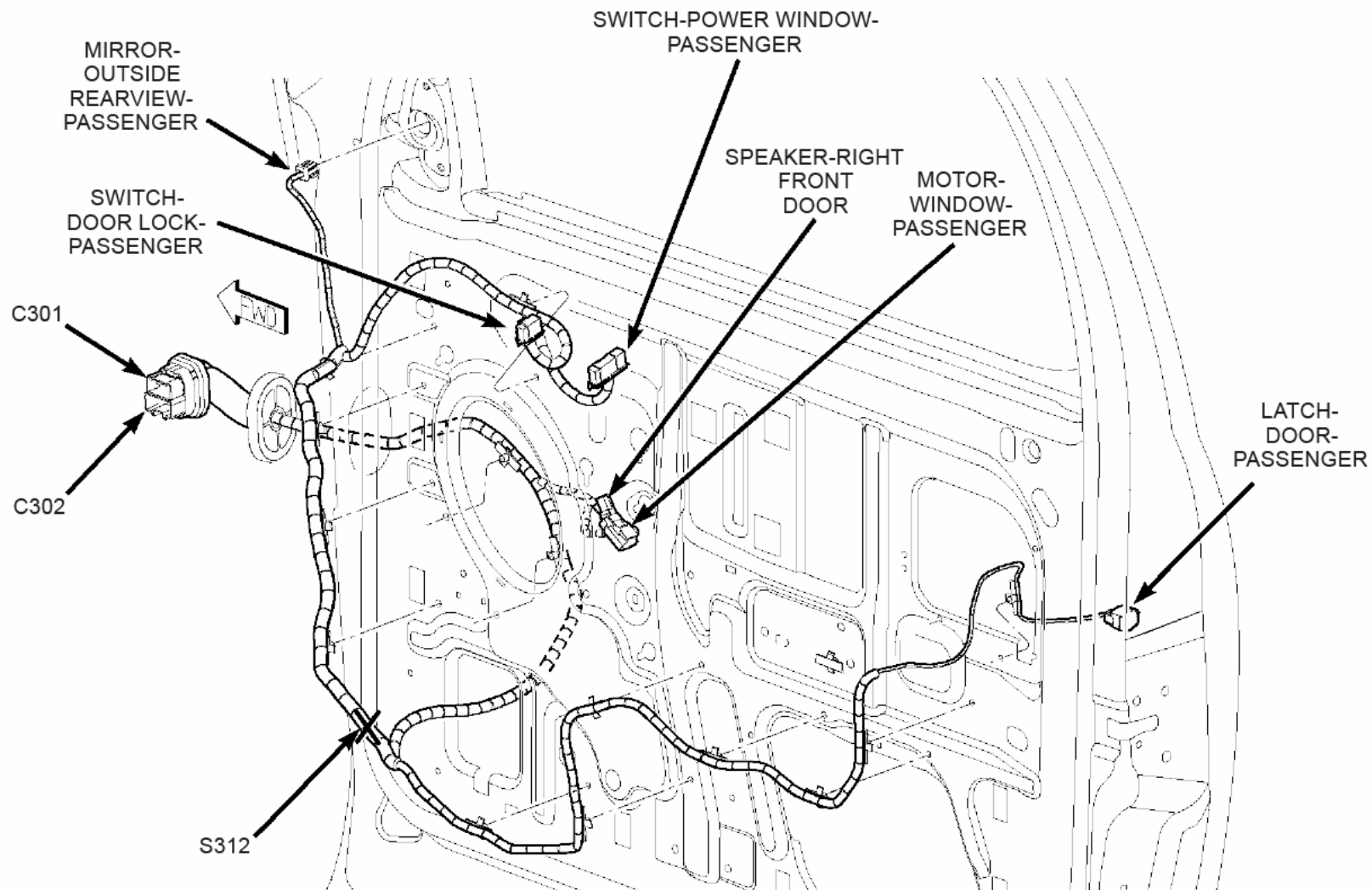


Fig. 56 RIGHT FRONT DOOR PREMIUM

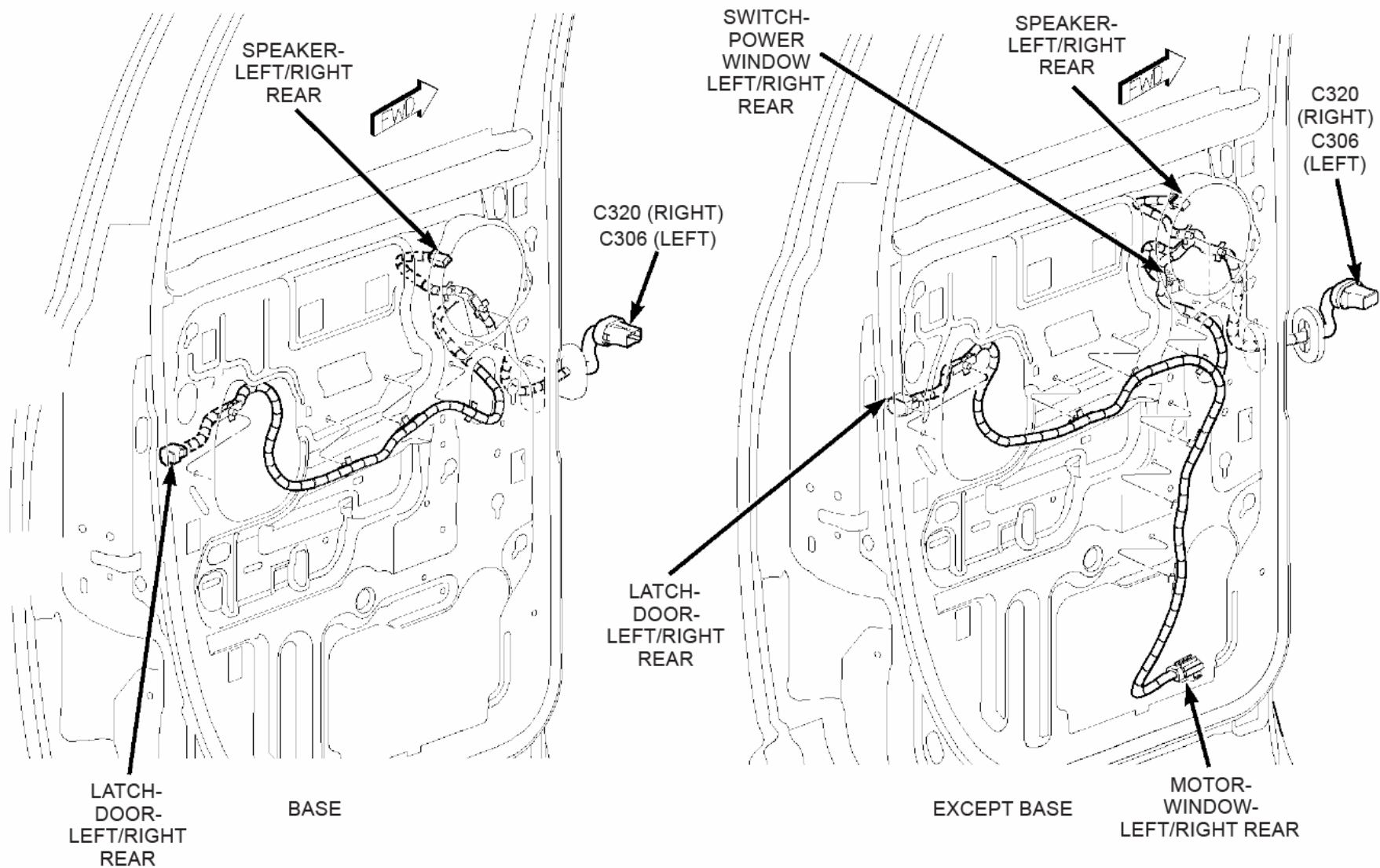


Fig. 57 LEFT REAR DOOR (RIGHT SIDE SIMILAR)

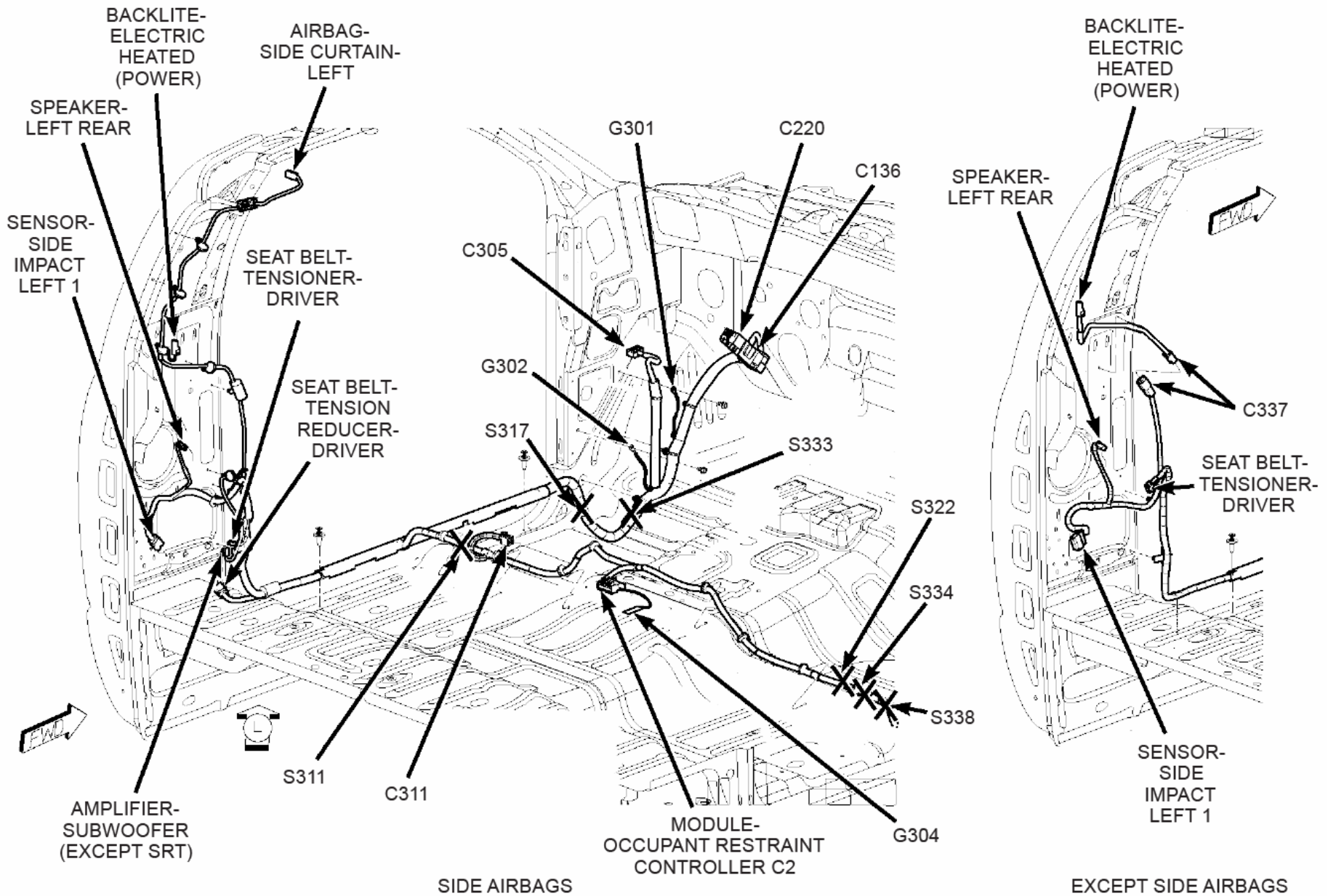


Fig. 58 LEFT SIDE BODY (STANDARD CAB)

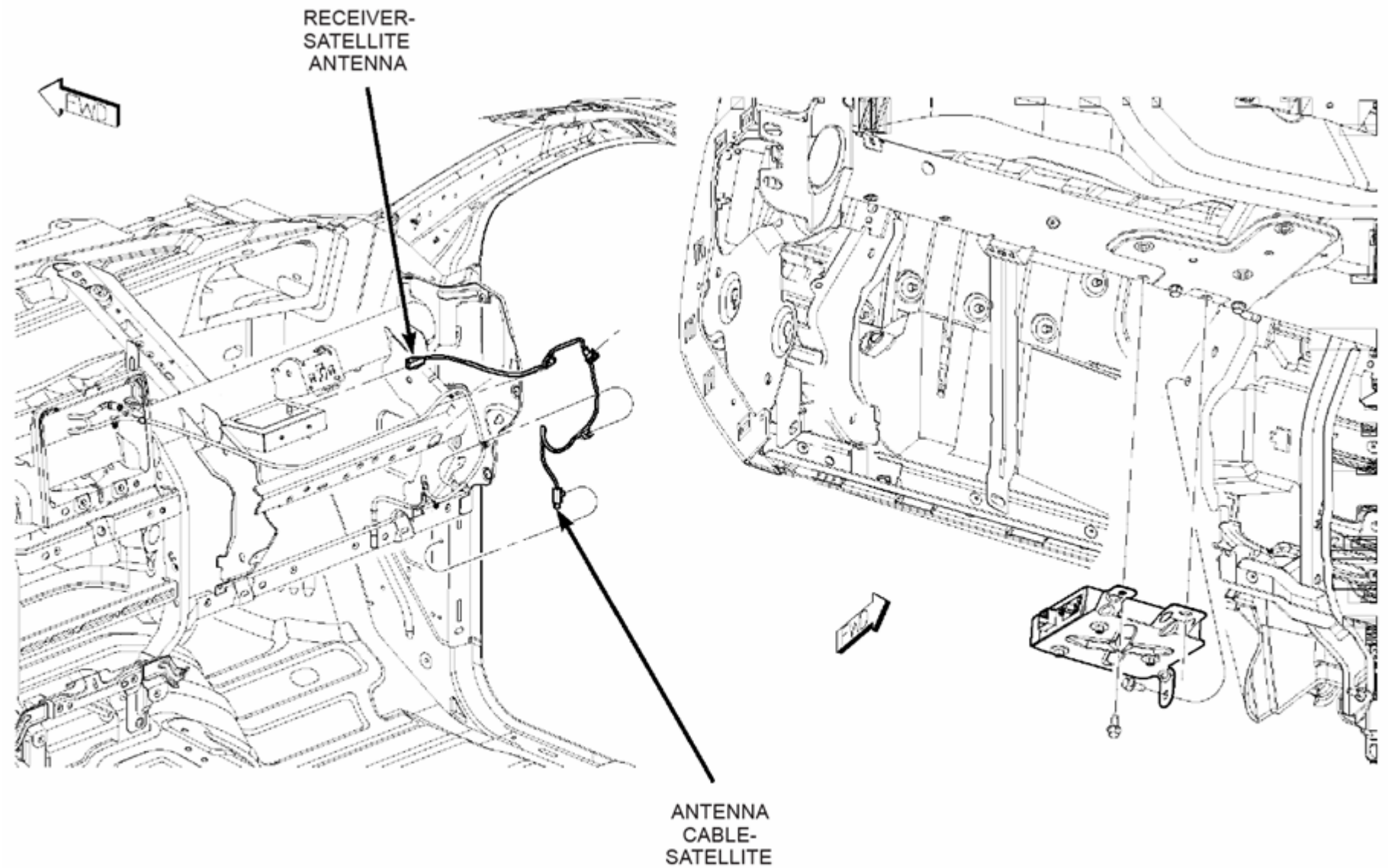


Fig. 59 SATELLITE RECEIVER

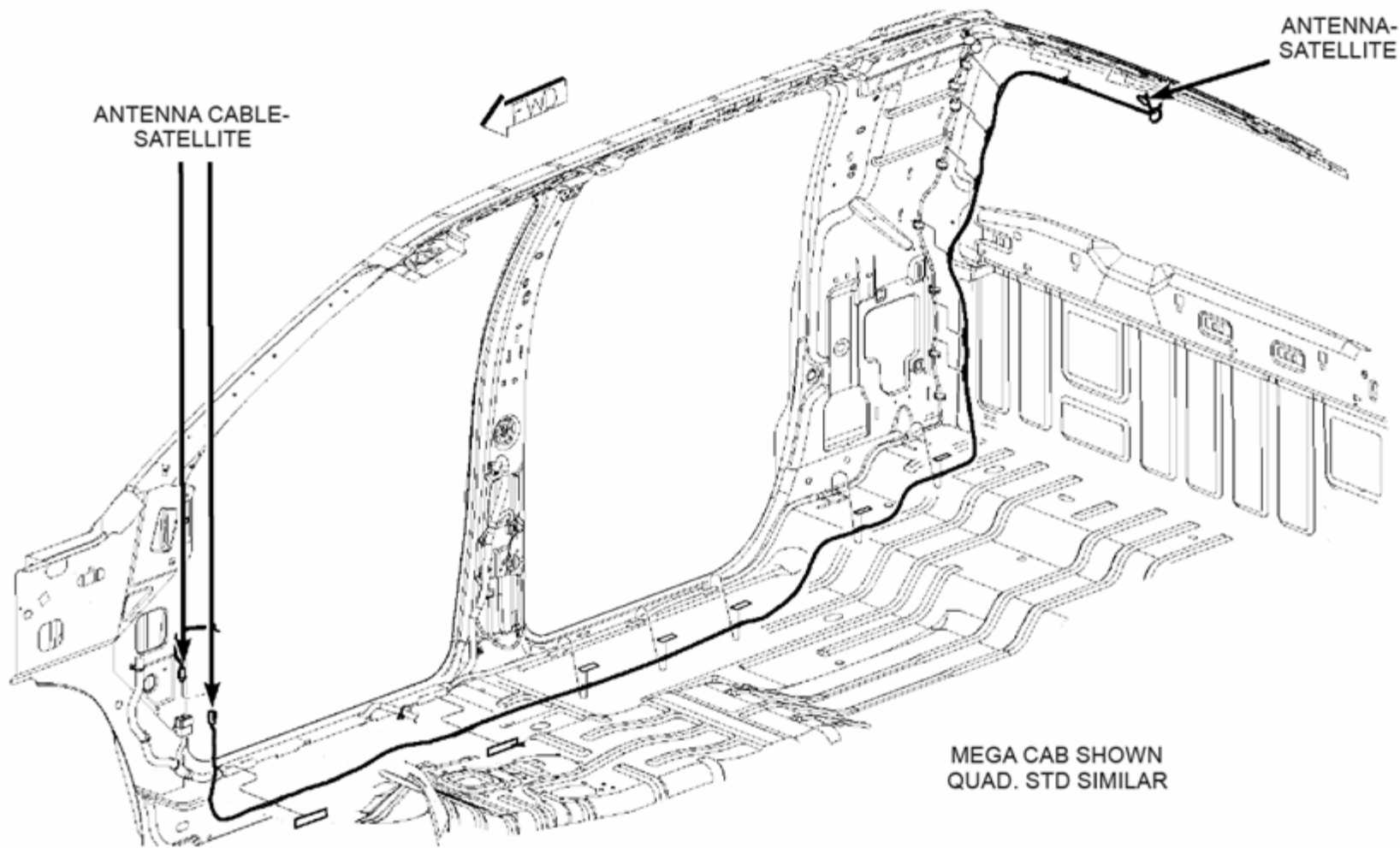
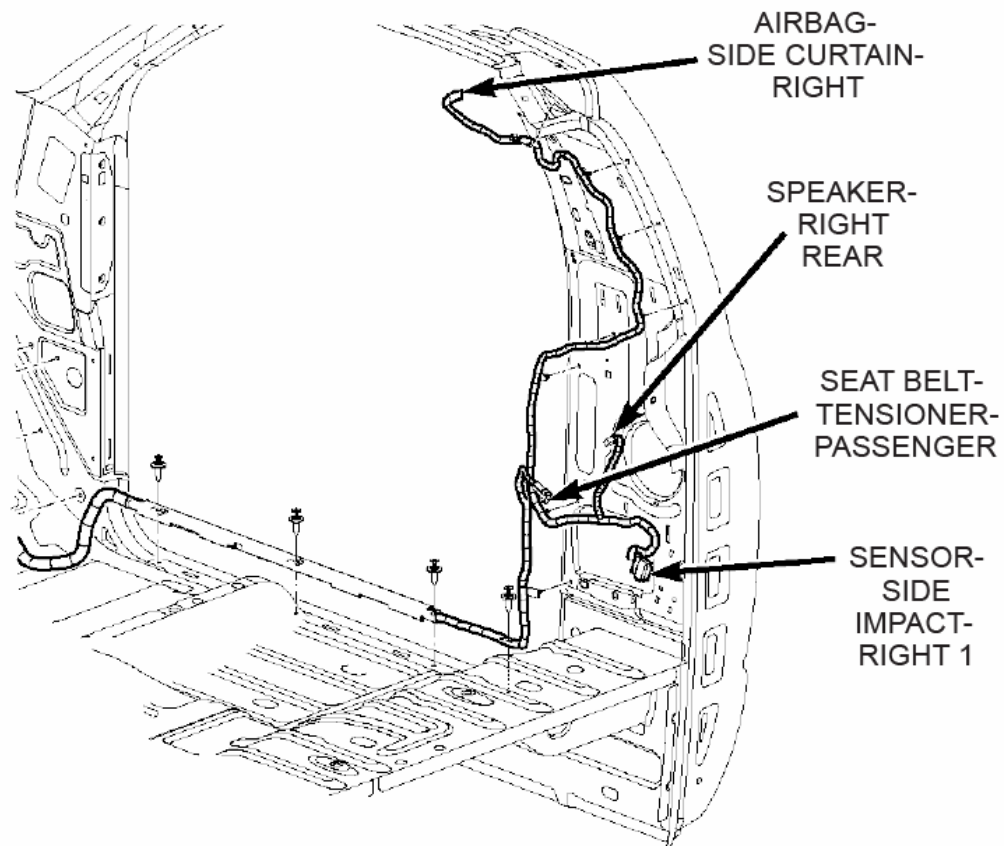


Fig. 60 SATELLITE ANTENNA CABLE



811d8201

Fig. 61 RIGHT SIDE BODY (STANDARD CAB)

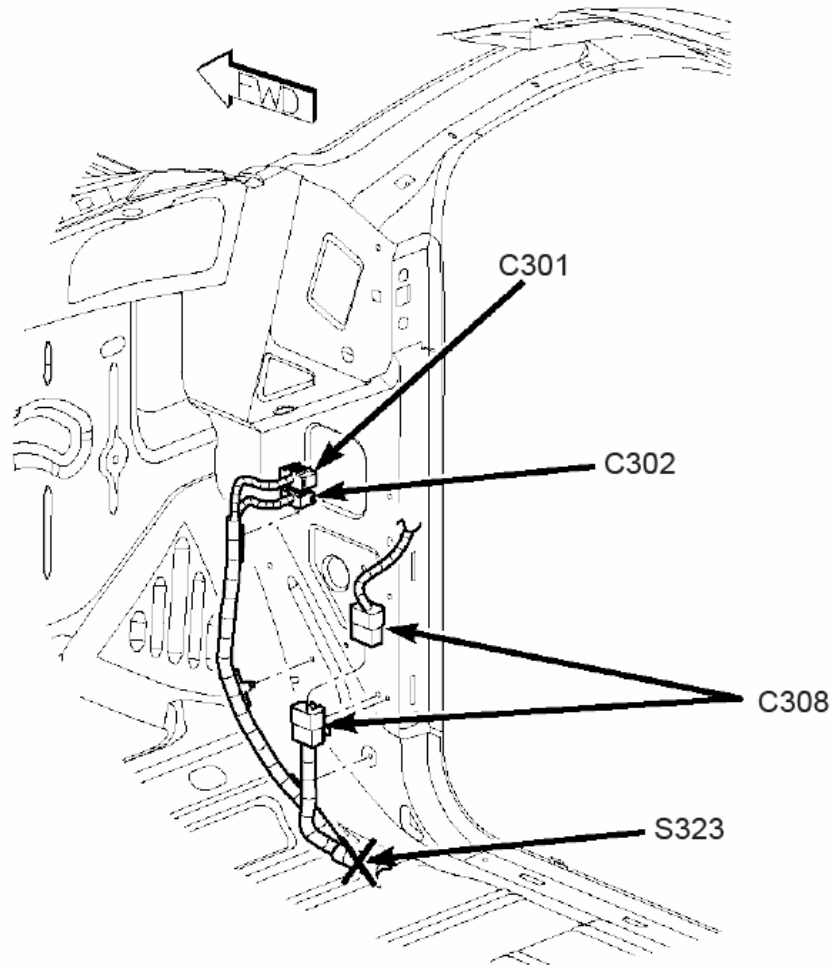


Fig. 62 RIGHT FRONT BODY

8195a3c2

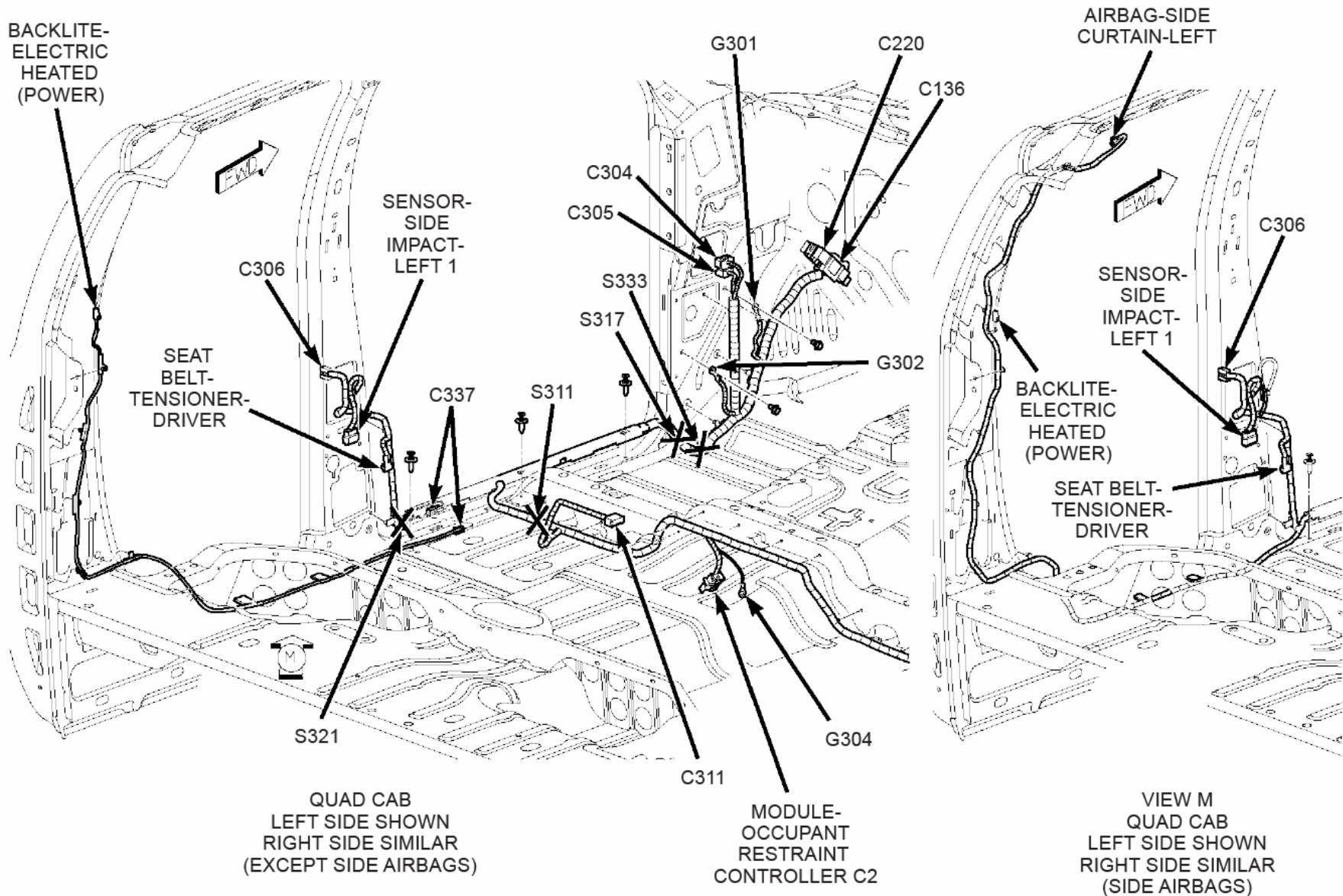


Fig. 63 LEFT SIDE BODY (QUAD CAB/MEGA CAB)

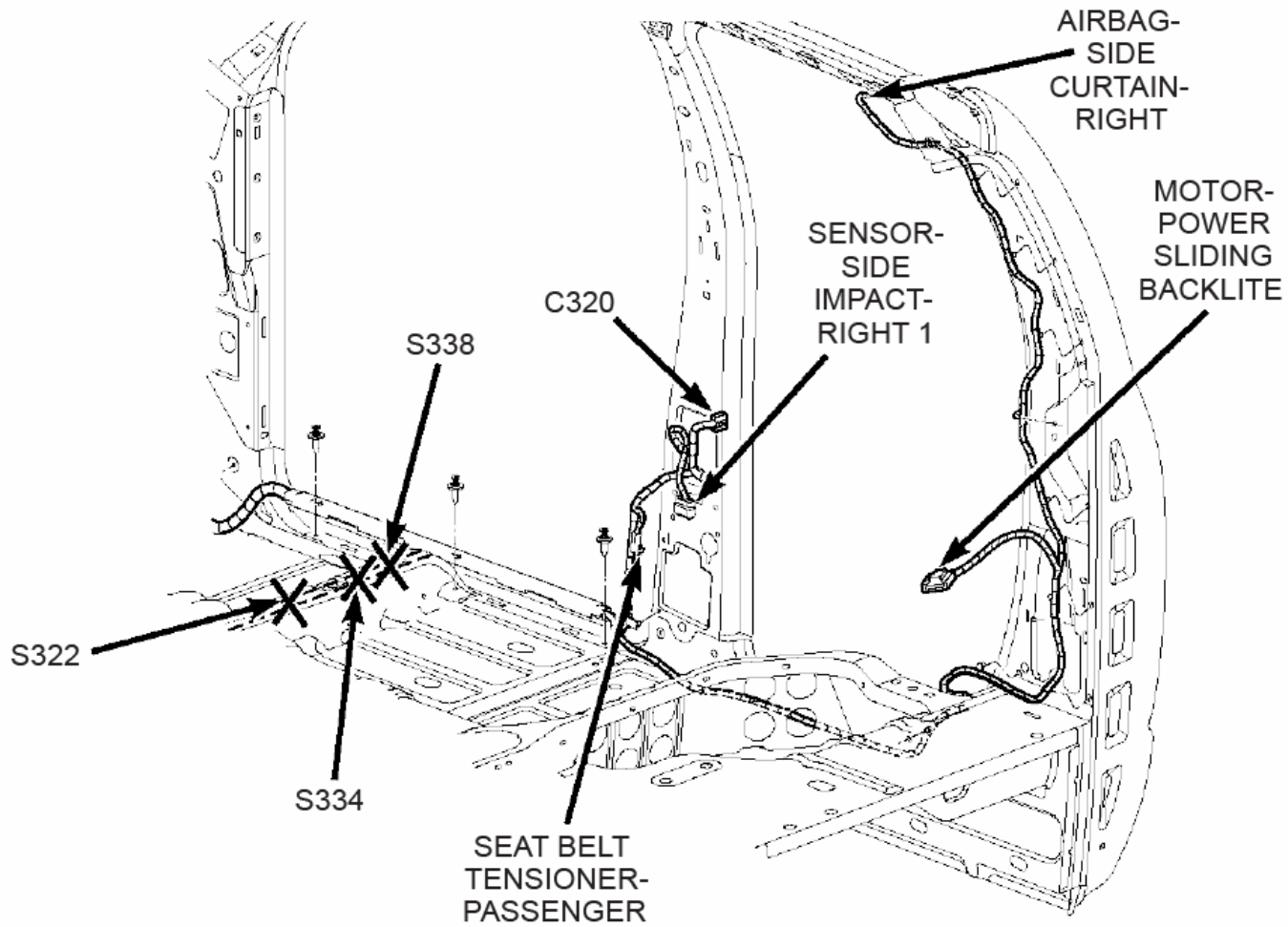


Fig. 64 RIGHT SIDE BODY (QUAD CAB/MEGA CAB)

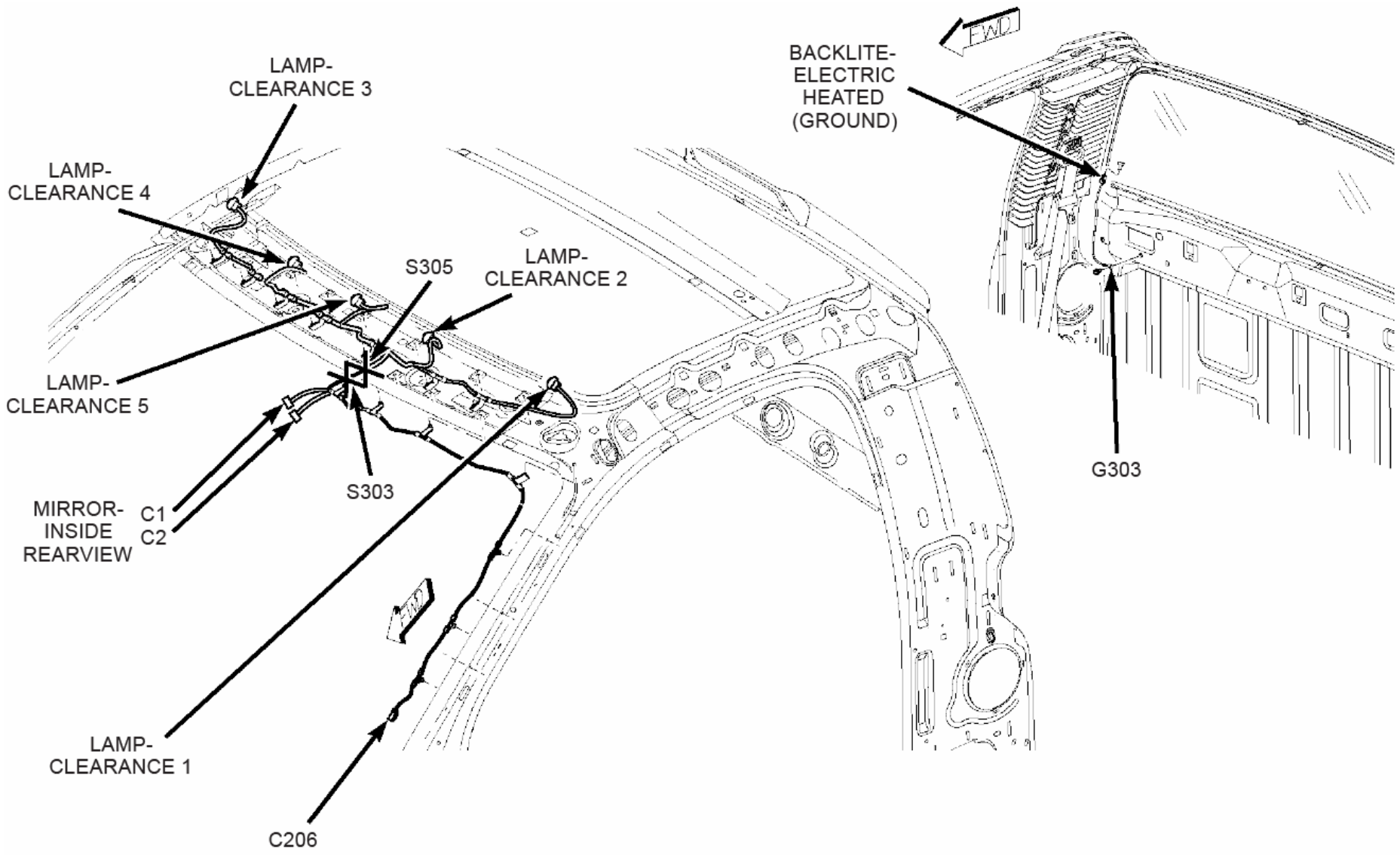


Fig. 65 ROOF

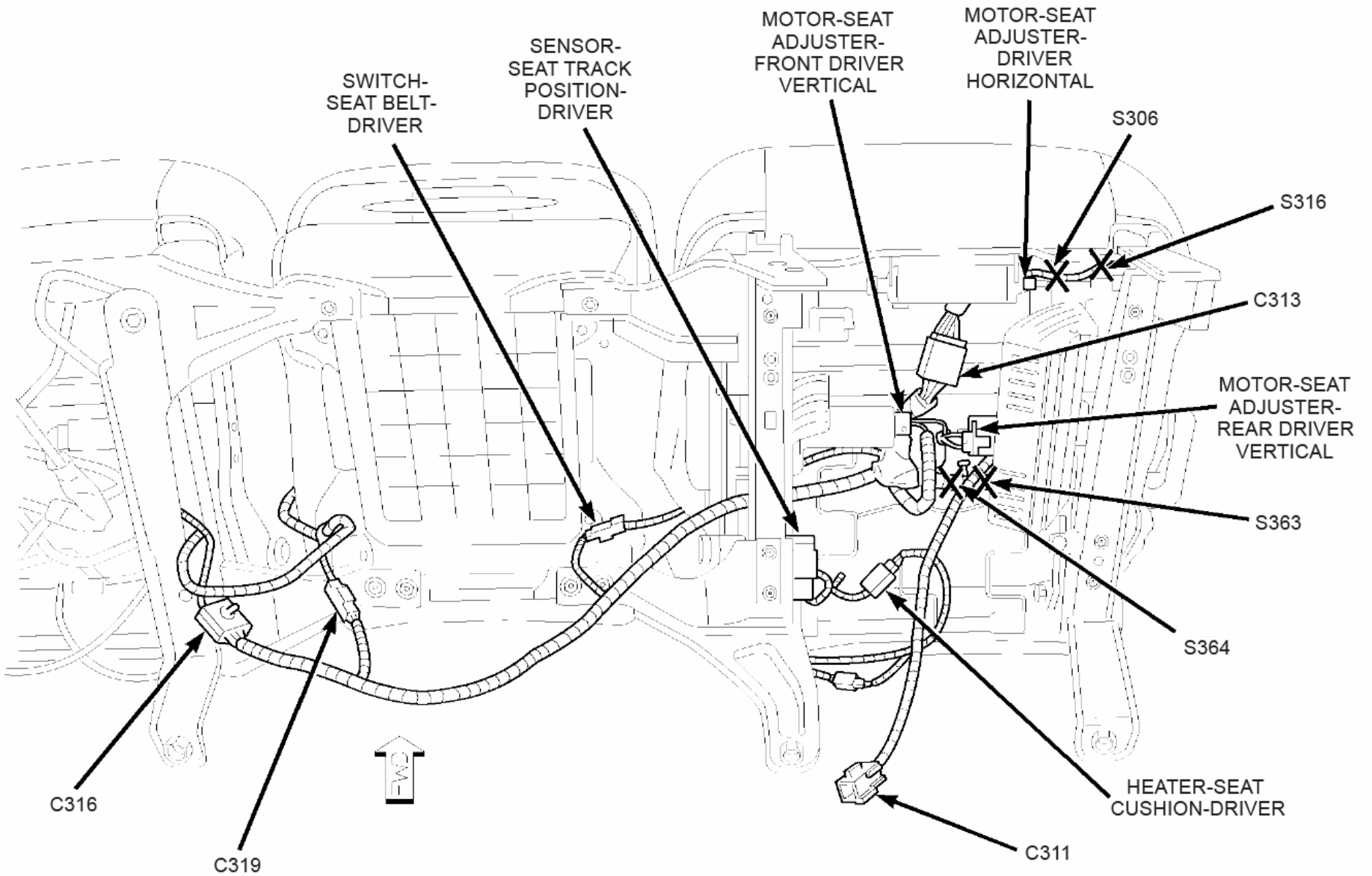


Fig. 66 CENTER AND DRIVER SEAT

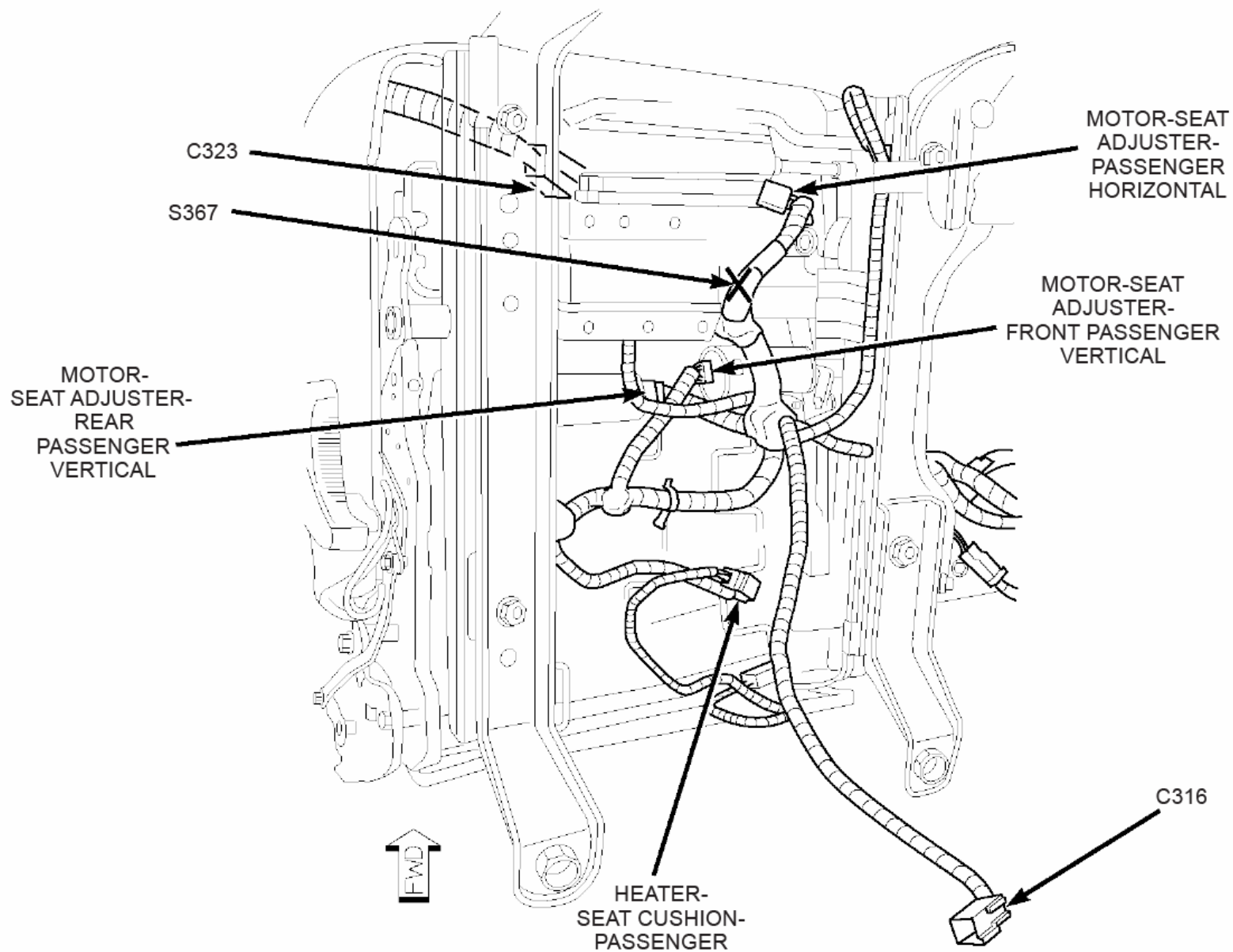
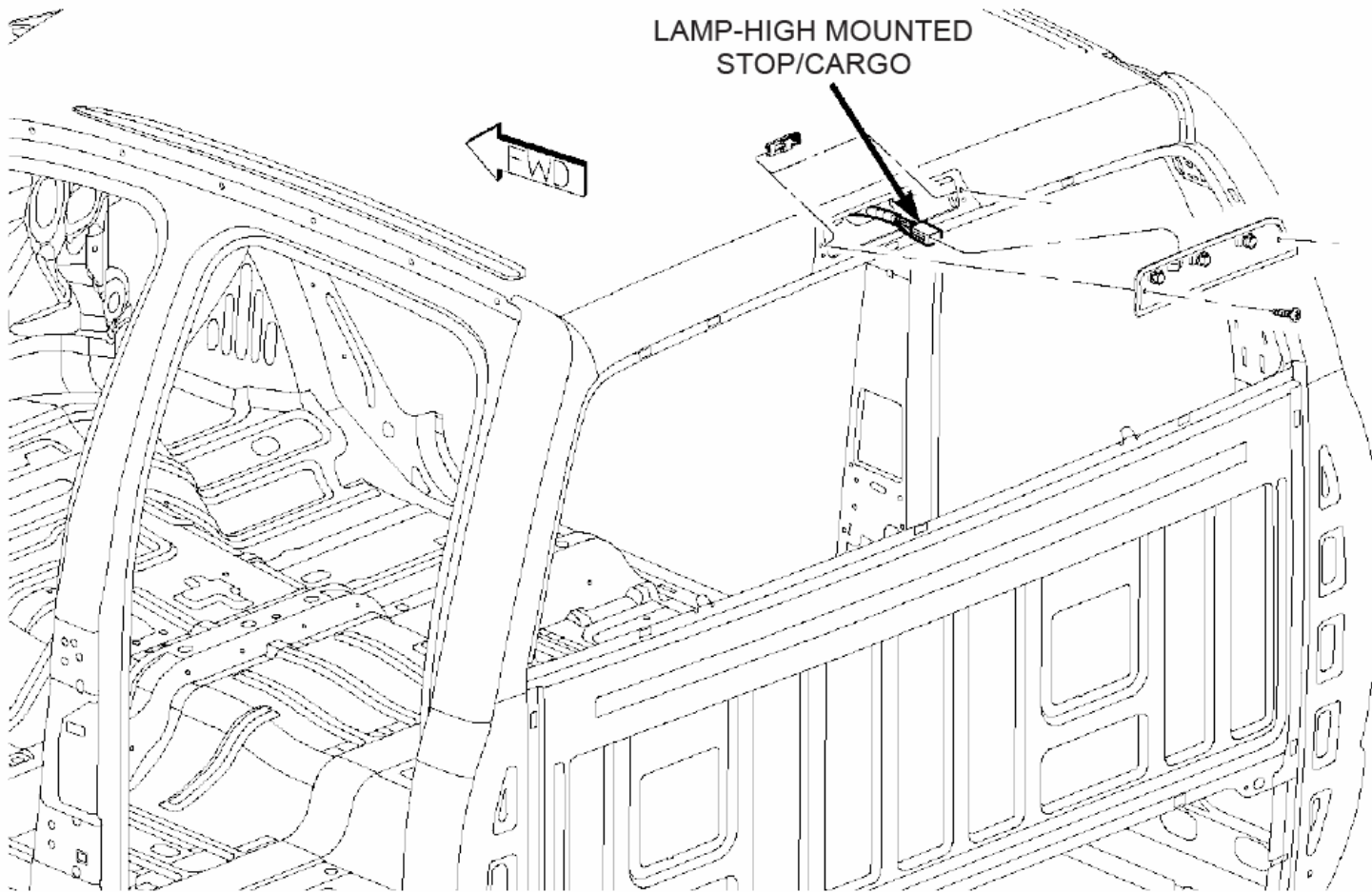


Fig. 67 PASSENGER SEAT



80d60191

Fig. 68 REAR BODY

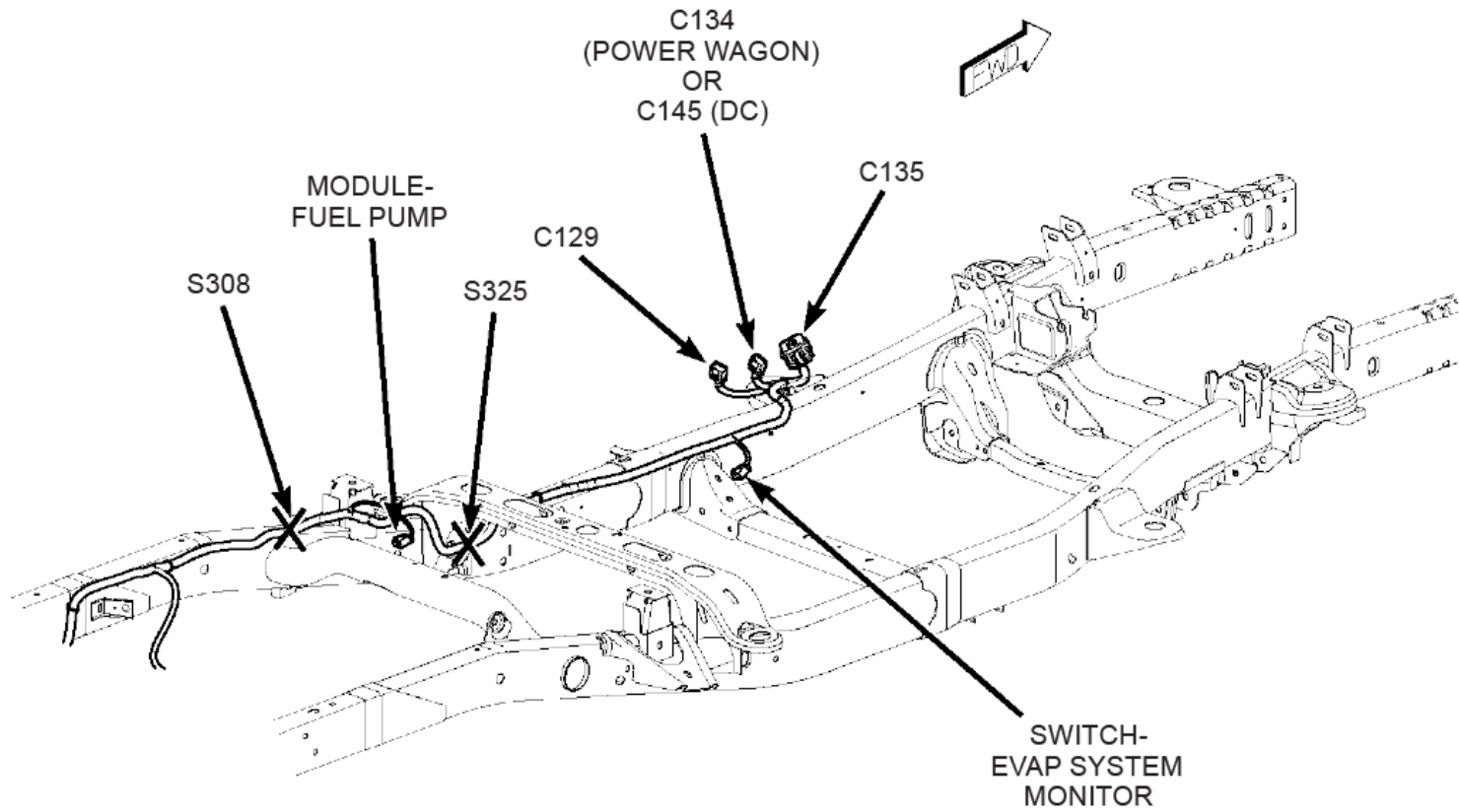


Fig. 69 CHASSIS

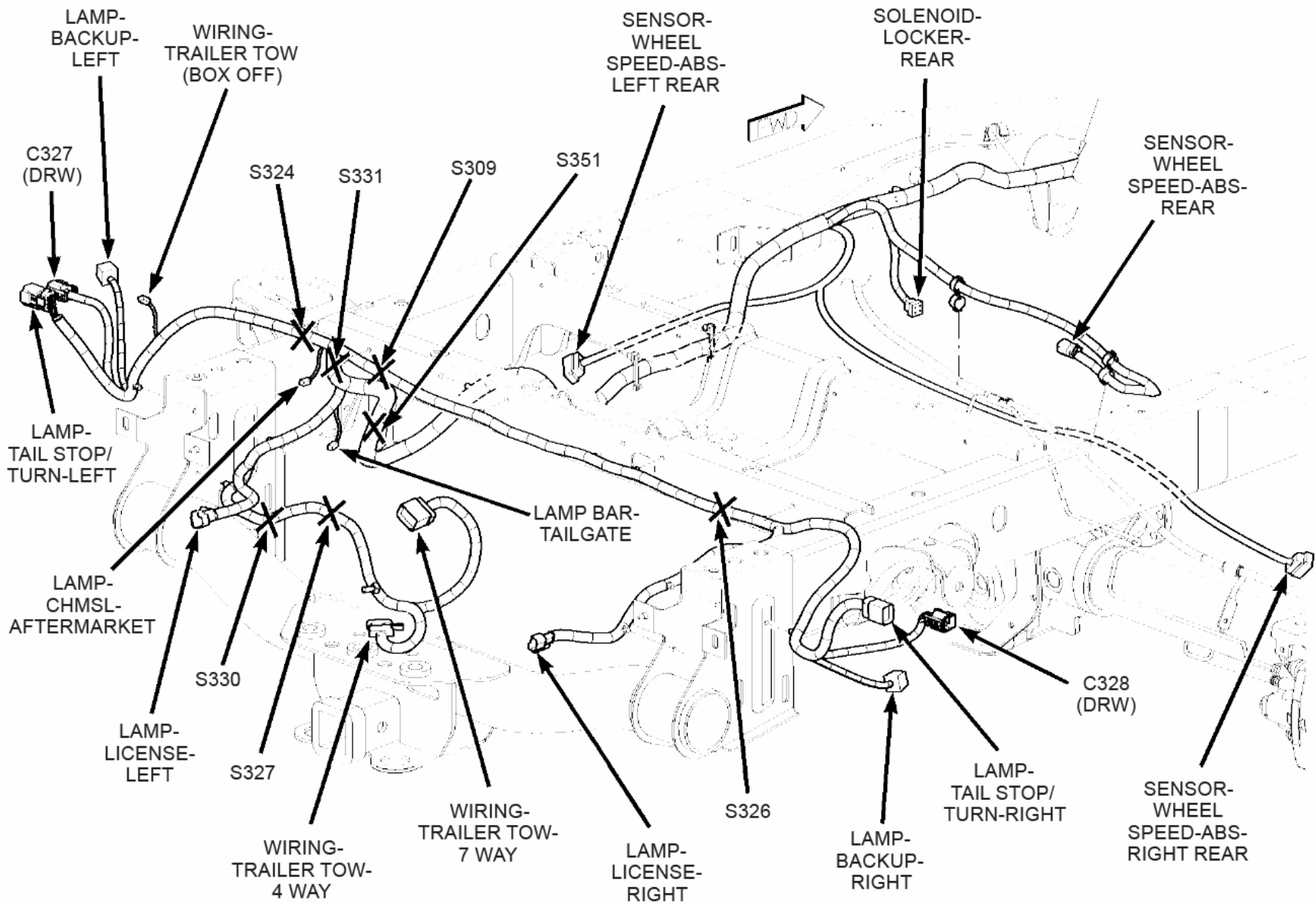


Fig. 70 REAR CHASSIS (DR/DH/D1)

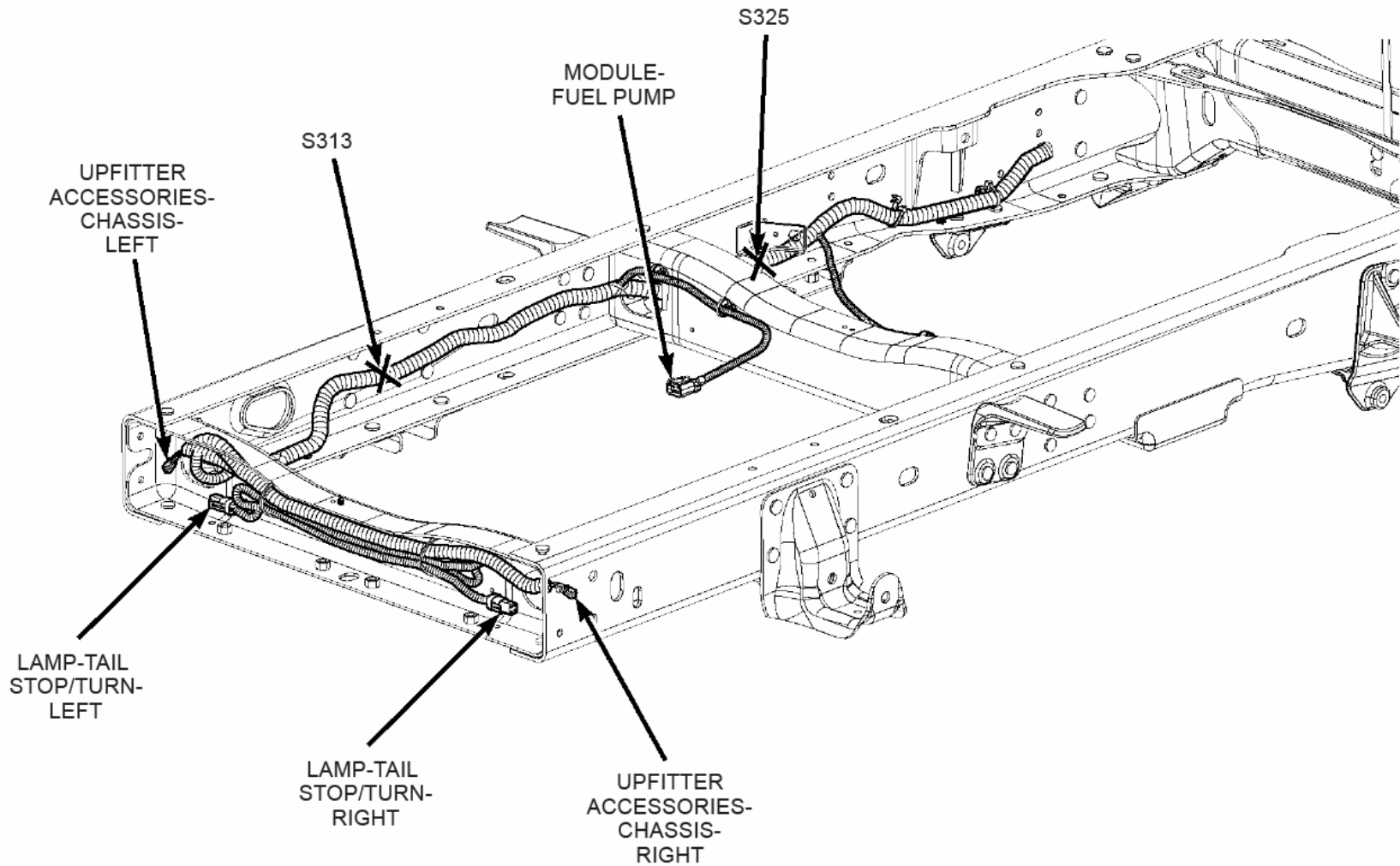
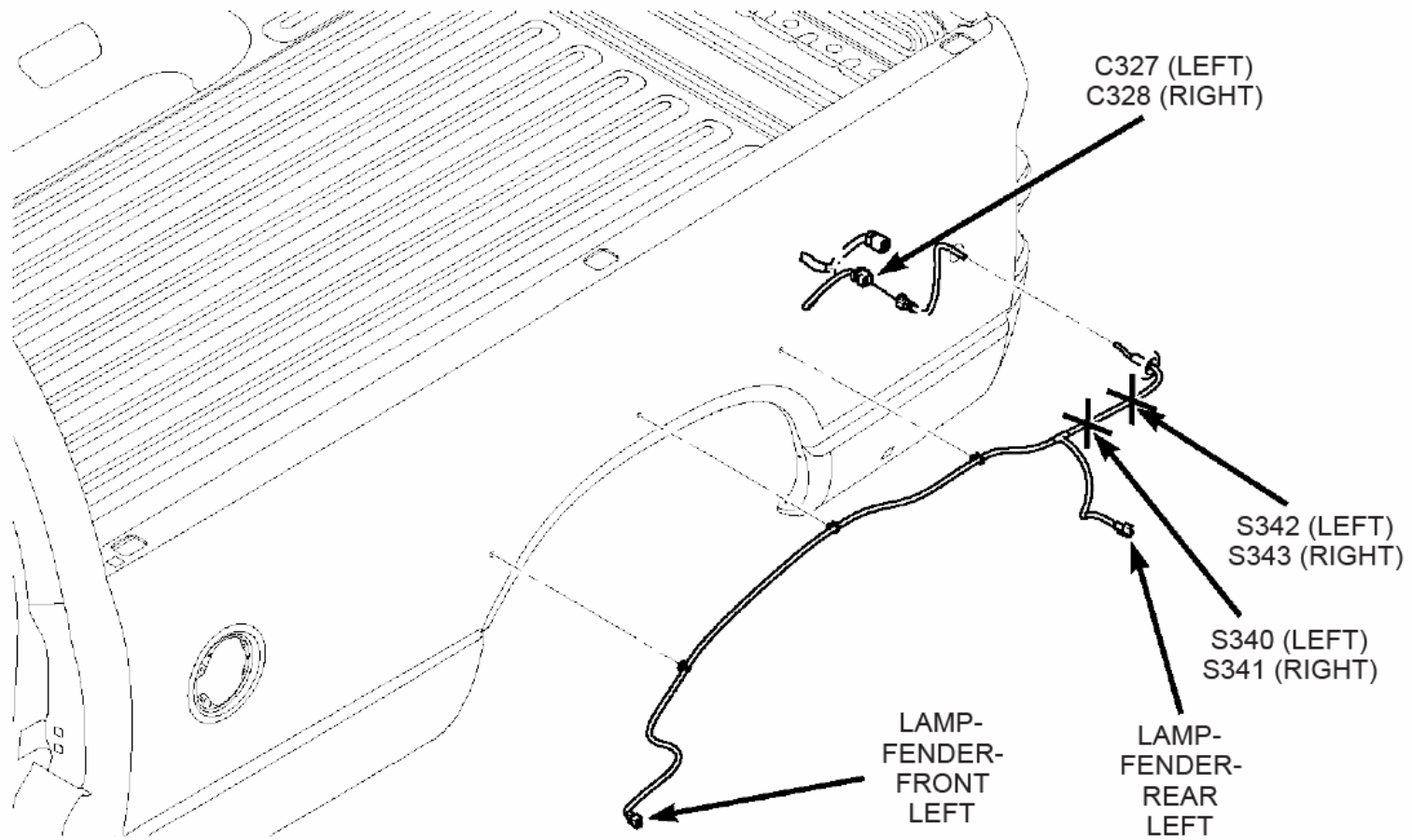


Fig. 71 REAR CHASSIS (DC/DM)



81036c64

Fig. 72 LEFT REAR FENDER (RIGHT SIDE SIMILAR)

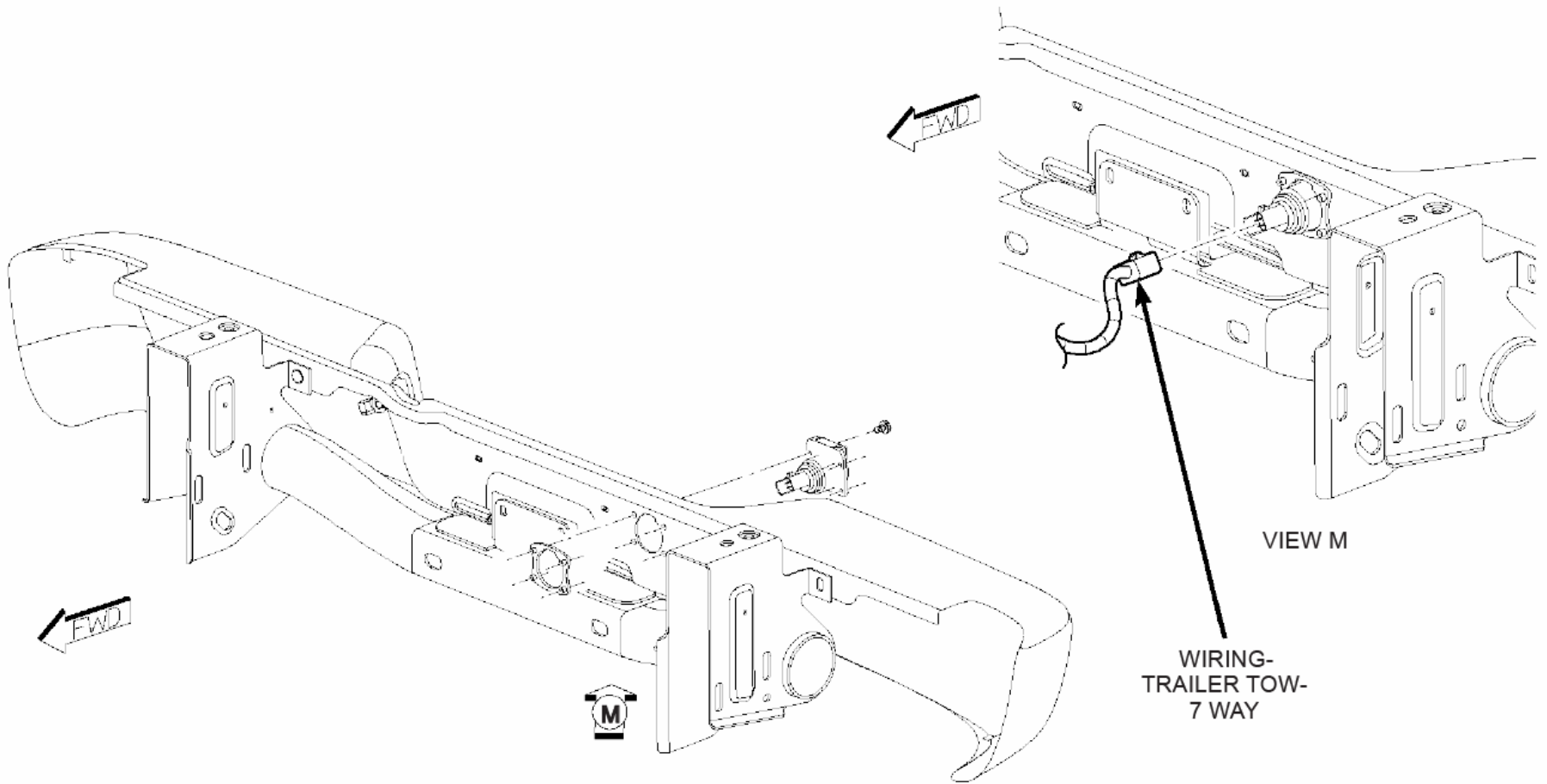


Fig. 73 REAR BUMPER