

Dimension sheets  
Nova Wire Rope Hoist

1. NOVA ECO

2. NOVA NB

3. NOVA NC

4. NOVA ND

5. NOVA NE

6. NOVA NF

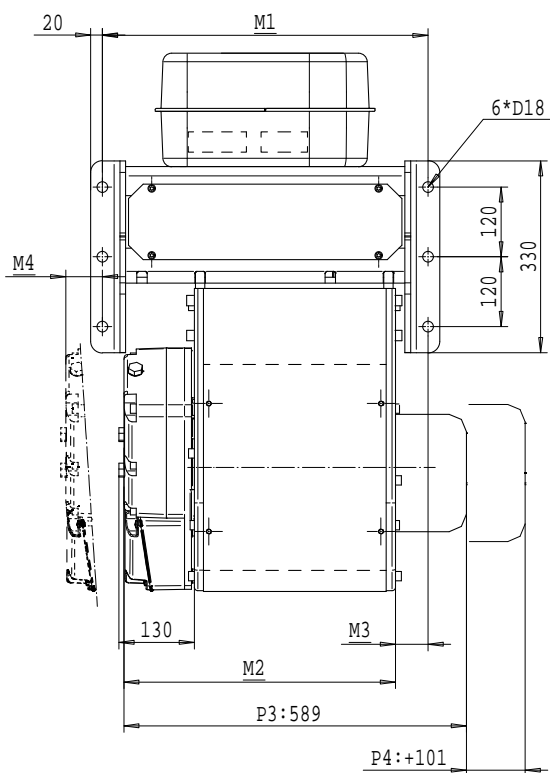
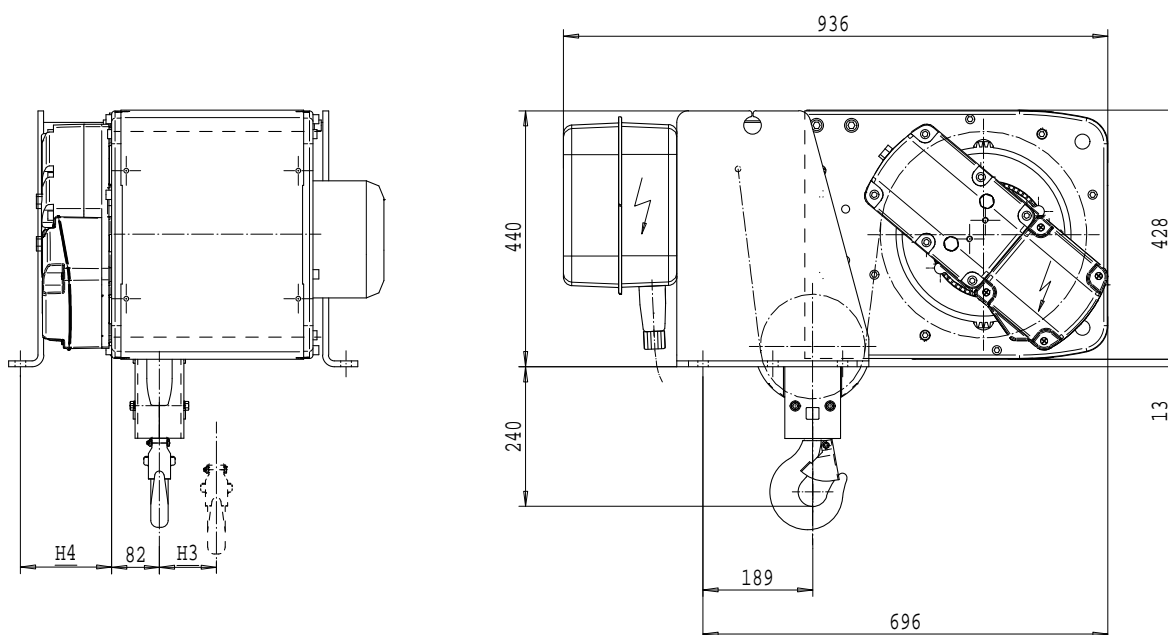
PROD_REF	HOIST_TYPE	REEVING	DRAWING_NR
NC-F-02	HOIST; FIXED	2 ROPE FALLS	D002086-A
NC-F-04	HOIST; FIXED	4 ROPE FALLS	D002091-A
NC-F-06	HOIST; FIXED	6 ROPE FALLS	D002098-A
NC-F-08	HOIST; FIXED	8 ROPE FALLS	D002102-A
NC-L-02	TROLLEY; LOW HEADROOM	2 ROPE FALLS	D002087-A
NC-L-04	TROLLEY; LOW HEADROOM	4 ROPE FALLS	D002092-A
NC-L-04-X	TROLLEY; LOW HEADROOM	4 ROPE FALLS, 6300 kg	D002093-A
NC-L-A2	TROLLEY; LOW HEADROOM	2 ROPE FALLS	D002106-A
NC-L-A4	TROLLEY; LOW HEADROOM	4 ROPE FALLS	D002107-A
NC-N-02	TROLLEY; NORMAL HEADROOM	2 ROPE FALLS	D002090-A
NC-N-04	TROLLEY; NORMAL HEADROOM	4 ROPE FALLS	D002097-A
NC-N-06	TROLLEY; NORMAL HEADROOM	6 ROPE FALLS	D002100-A
NC-N-08	TROLLEY; NORMAL HEADROOM	8 ROPE FALLS	D002104-A
NC-H-02	TROLLEY; DOUBLE GIRDER	HIGH, 2 ROPE FALLS	D002229-A
NC-H-04	TROLLEY; DOUBLE GIRDER	HIGH, 4 ROPE FALLS	D002230-A
NC-H-06	TROLLEY; DOUBLE GIRDER	HIGH, 6 ROPE FALLS	D002236-A
NC-H-08	TROLLEY; DOUBLE GIRDER	HIGH, 8 ROPE FALLS	D002237-A
NC-M-02	TROLLEY; DOUBLE GIRDER	MEDIUM, 2 ROPE FALLS	D002088-A
NC-M-04	TROLLEY; DOUBLE GIRDER	MEDIUM, 4 ROPE FALLS	D002095-A
NC-M-06	TROLLEY; DOUBLE GIRDER	MEDIUM, 6 ROPE FALLS	D002099-A
NC-M-08	TROLLEY; DOUBLE GIRDER	MEDIUM, 8 ROPE FALLS	D002103-A
NC-V-M1	HOIST; MACHINERY HOIST	1 ROPE FALL	D002108-A
NC-V-M2	HOIST; MACHINERY HOIST	2 ROPE FALLS, OPPOSITE DIRECT	D002109-A
NC-V-M2	HOIST; MACHINERY HOIST	2 ROPE FALLS, SAME DIRECTION	D002110-A

# NOVA

Elektroseilzug  
Electric wire rope hoist

## HOIST; FIXED, 2 ROPE FALLS

Hoist type:  
NC02F...



Load (kg)	Class Fem/ISO	Hoisting speed (m/min)		
		Gear+Motor code:		
		E+P3	F+P3	H+P4
2000	3m/M6	8/1,3	10/1,7	16/2,7
2500	2m/M5	8/1,3	10/1,7	16/2,7
3200	1Am/M4	8/1,3	-	-
+ weight (kg):		-	-	20

HOL (m)	Length code	M1 (mm)	M2 (mm)	M3 (mm)	M4 (mm)	H3 (mm)	H4 (mm)	Weight (kg)
12	B	560	467	56	-37	98	157	195
18	C	560	567	56	63	147	57	205
24	D	780	667	176	63	196	57	220
30	E	780	787	56	63	256	57	240

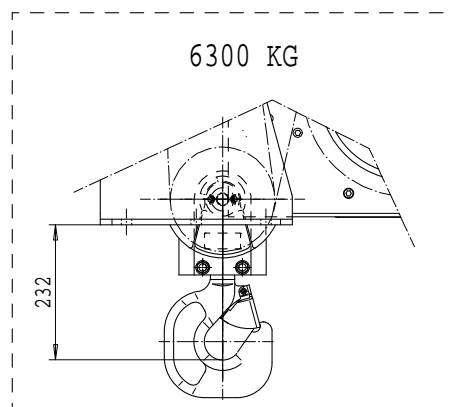
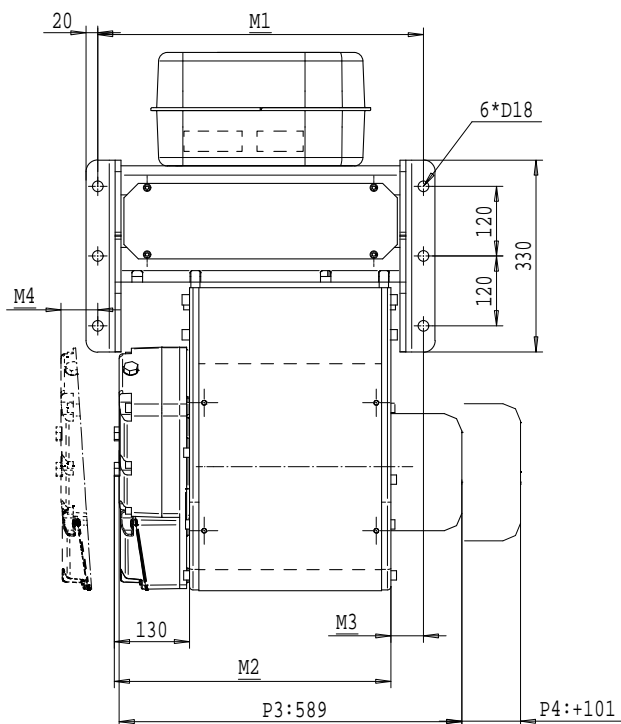
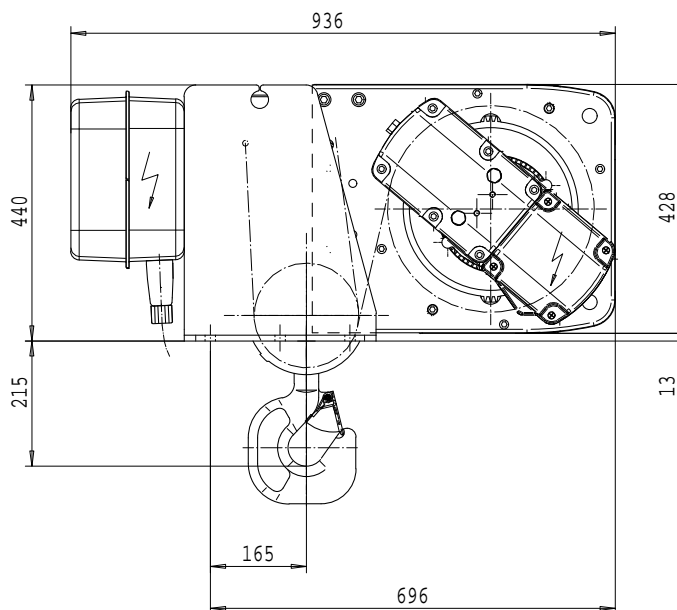
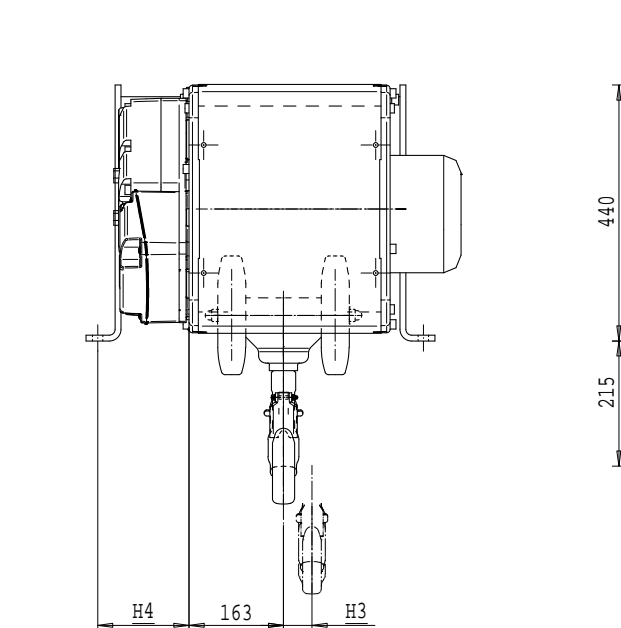
# NOVA

Elektroseilzug  
Electric wire rope hoist

HOIST; FIXED, 4 ROPE FALLS  
Hoist type:  
NC04F...



SI-50Hz



Load (kg)	Class Fem/ISO	Hoisting speed (m/min)		
		Gear+Motor code:		
		E+P3	F+P3	H+P4
4000	3m/M6	4/0,7	5/0,8	8/1,3
5000	2m/M5	4/0,7	5/0,8	8/1,3
6300	1Am/M4	4/0,7	-	-
+ weight (kg):		-	-	20

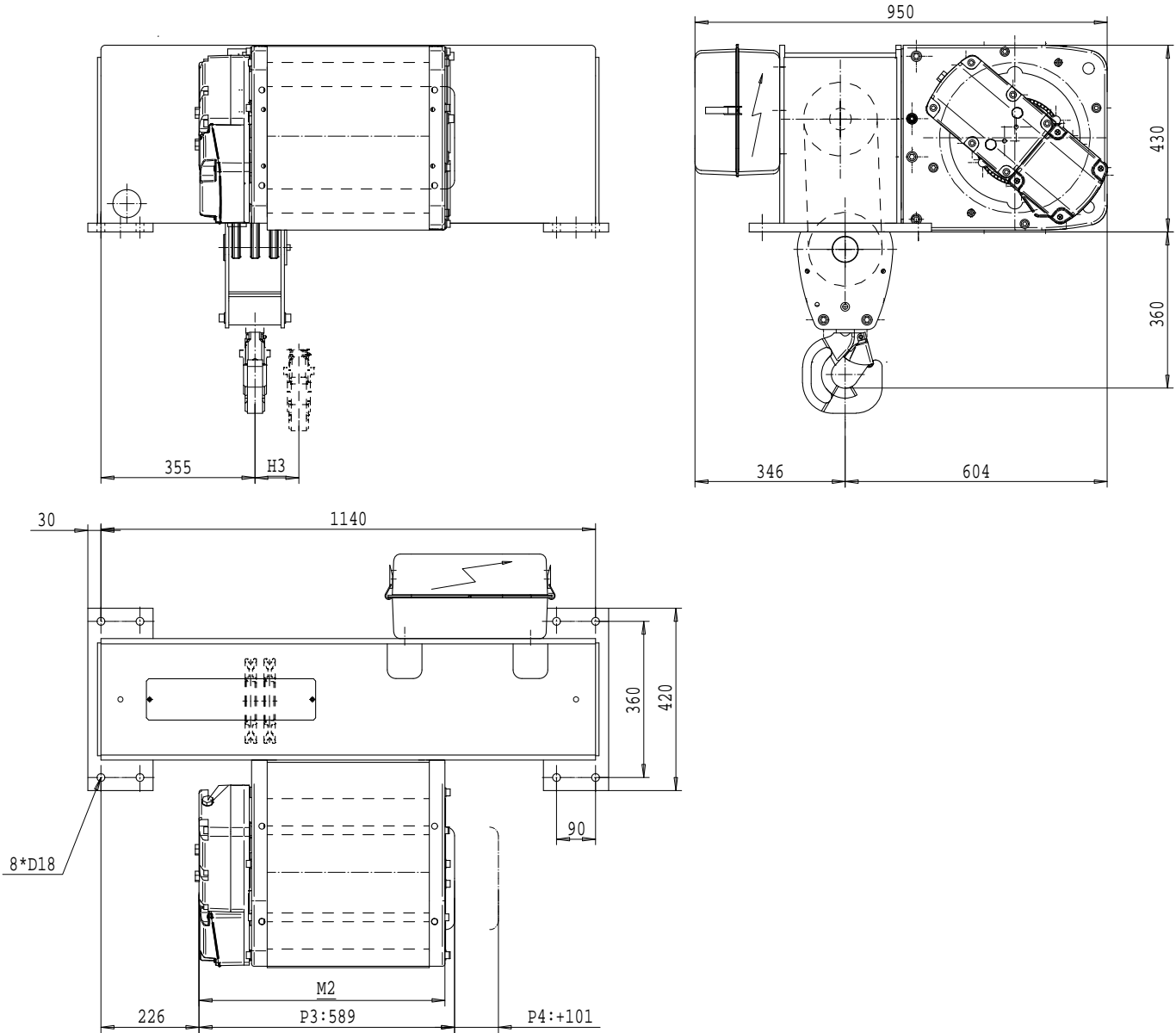
HOL (m)	Length code	M1 (mm)	M2 (mm)	M3 (mm)	M4 (mm)	H3 (mm)	H4 (mm)	Weight (kg)
6	B	560	467	56	-37	49	157	200
9	C	560	567	56	63	73	57	210
12	D	780	667	176	63	97	57	220
15	E	780	787	56	63	127	57	230

# NOVA

Elektroseilzug  
Electric wire rope hoist

HOIST; FIXED, 6 ROPE FALLS

Hoist type:  
NC06F...



Load (kg)	Class Fem/ISO	Hoisting speed (m/min)	
		Gear+Motor code:	
		F+P3	H+P4
6000	3m/M6	3,2/0,5	5/0,8
7500	2m/M5	3,2/0,5	5/0,8
+ weight (kg):		-	20

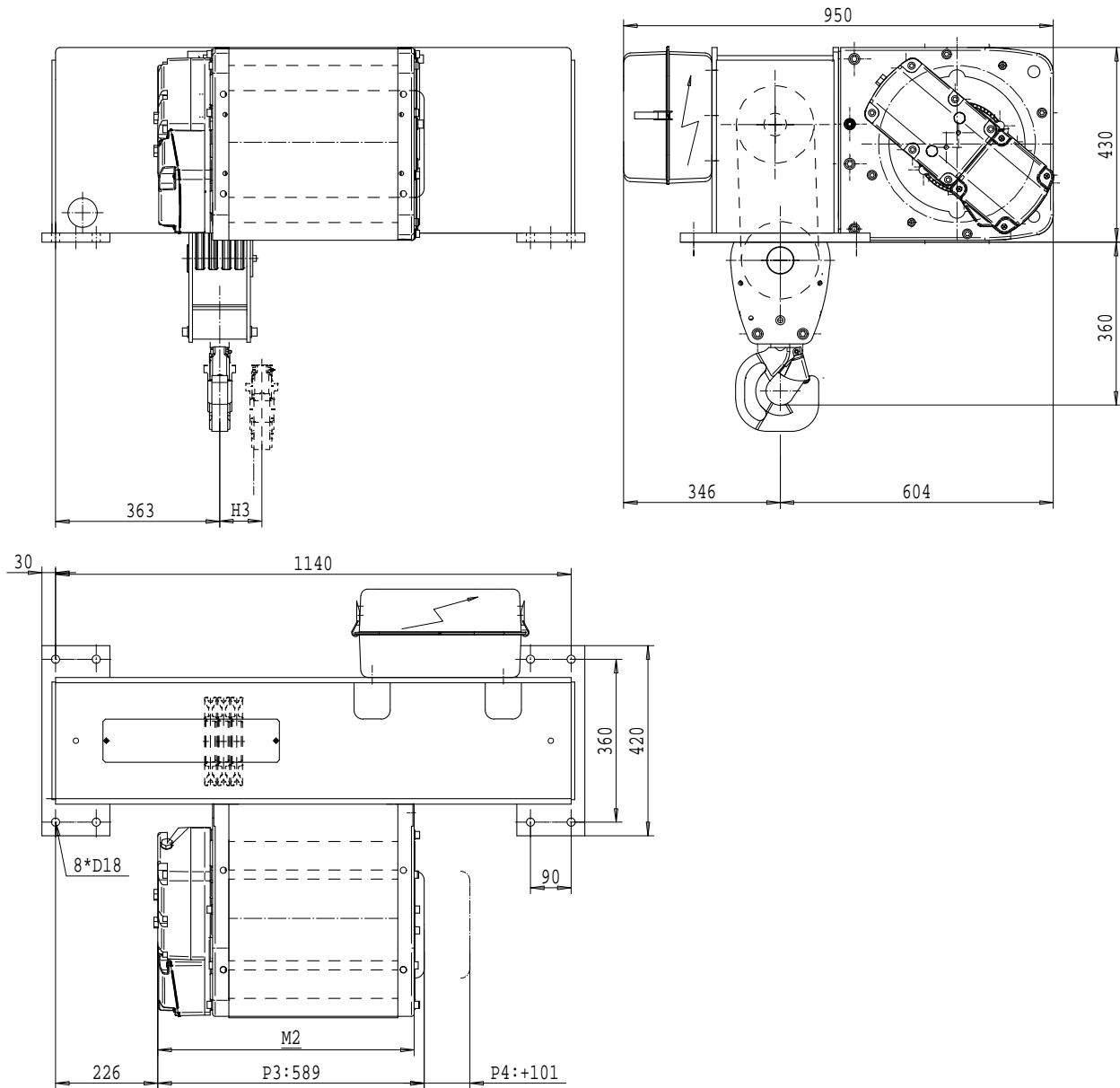
HOL (m)	Length code	M2 (mm)	H3 (mm)	Weight (kg)
6	C	567	49	350
8	D	667	65	365
10	E	787	85	380

# NOVA

Elektroseilzug  
Electric wire rope hoist

HOIST; FIXED, 8 ROPE FALLS

Hoist type:  
NC08F...



Load (kg)	Class Fem/ISO	Hoisting speed (m/min)	
		Gear+Motor code:	
		F+P3	H+P4
8000	2m/M5	2,5/0,4	4/0,7
10000	1Am/M4	2,5/0,4	4/0,7
+ weight (kg):		-	20

HOL (m)	Length code	M2 (mm)	H3 (mm)	Weight (kg)
4,5	C	567	37	360
6	D	667	49	375
7,5	E	787	64	390

# NOVA Elektroseilzug

## Electric wire rope hoist

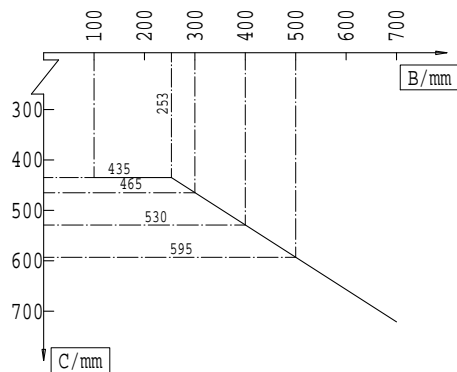
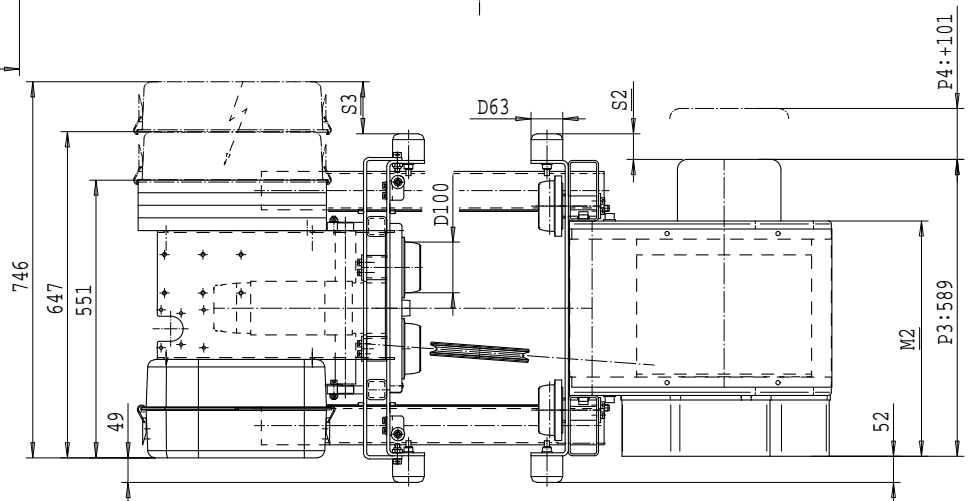
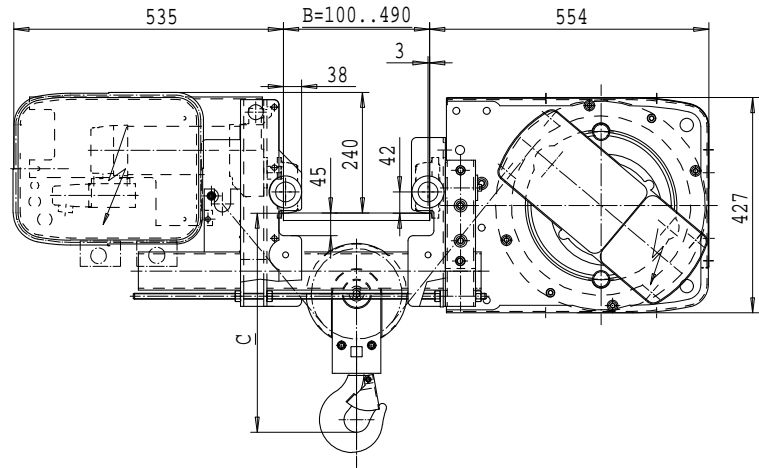
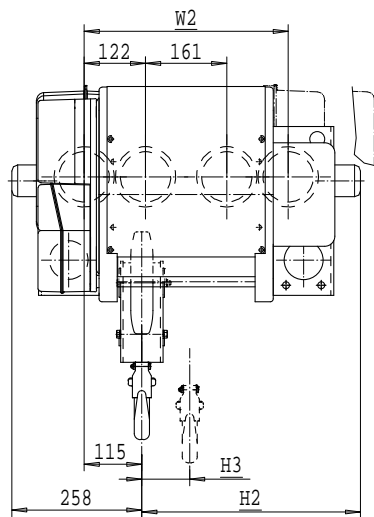
### TROLLEY; LOW HEADROOM, 2 ROPE FALLS

Hoist type:

NC02L...



SI-50Hz



Load (kg)	Class Fem/ISO	Hoisting speed (m/min)		
		Gear+Motor code:		
		E+P3	F+P3	H+P4
2000	3m/M6	8/1,3	10/1,7	16/2,7
2500	2m/M5	8/1,3	10/1,7	16/2,7
3200	1Am/M4	8/1,3	-	-
+ weight (kg):		-	-	40

HOL (m)	Length code	M2 (mm)	H2 (mm)	H3 (mm)	S2 (mm)	S3 (mm)	W2 (mm)	Weight (kg)
12	B	467	434	95	51	78	405	325
18	C	567	534	144	151	-22	505	345
24	D	667	634	193	251	-122	605	365

# NOVA Elektroseilzug

## Electric wire rope hoist

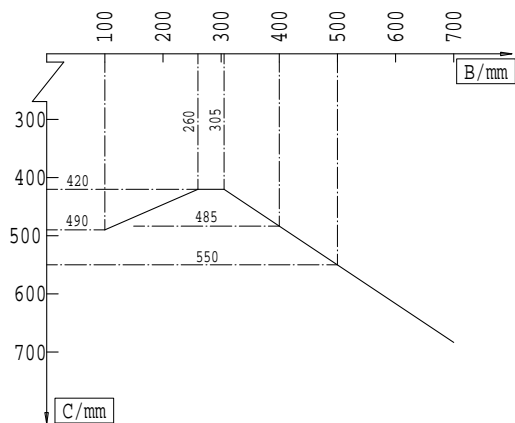
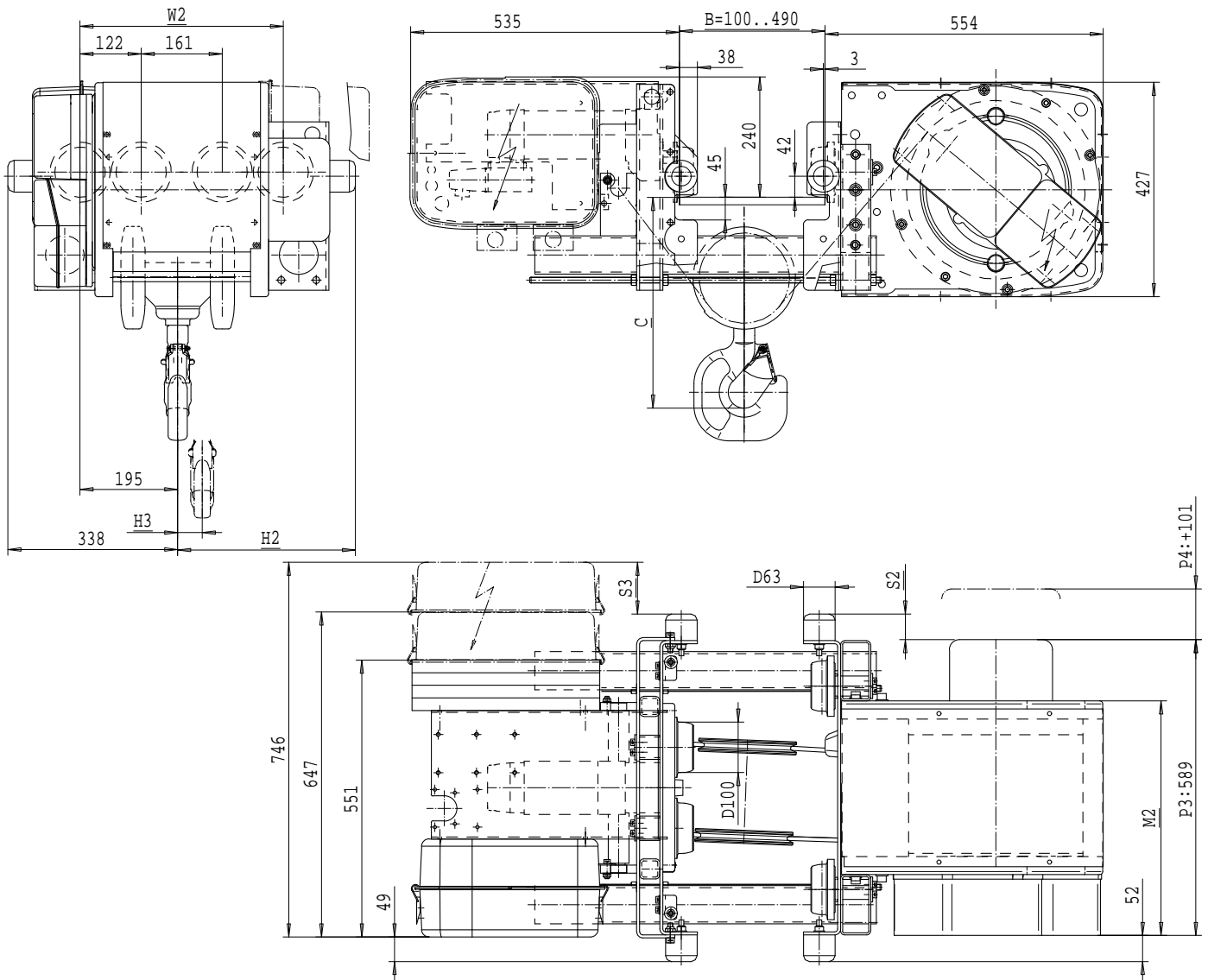
TROLLEY; LOW HEADROOM, 4 ROPE FALLS

Hoist type:

NC04L...



SI-50Hz



Load (kg)	Class Fem/ISO	Hoisting speed (m/min)	
		Gear+Motor code:	
		F+P3	H+P4
4000	3m/M6	5/0,8	8/1,3
5000	2m/M5	5/0,8	8/1,3
+ weight (kg):		-	40

HOL (m)	Length code	M2 (mm)	H2 (mm)	H3 (mm)	S2 (mm)	S3 (mm)	W2 (mm)	Weight (kg)
6	B	467	354	49	51	78	405	330
9	C	567	454	74	151	-22	505	350
12	D	667	554	99	251	-122	605	370



# NOVA

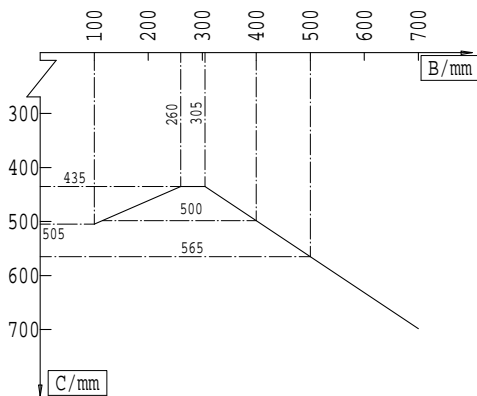
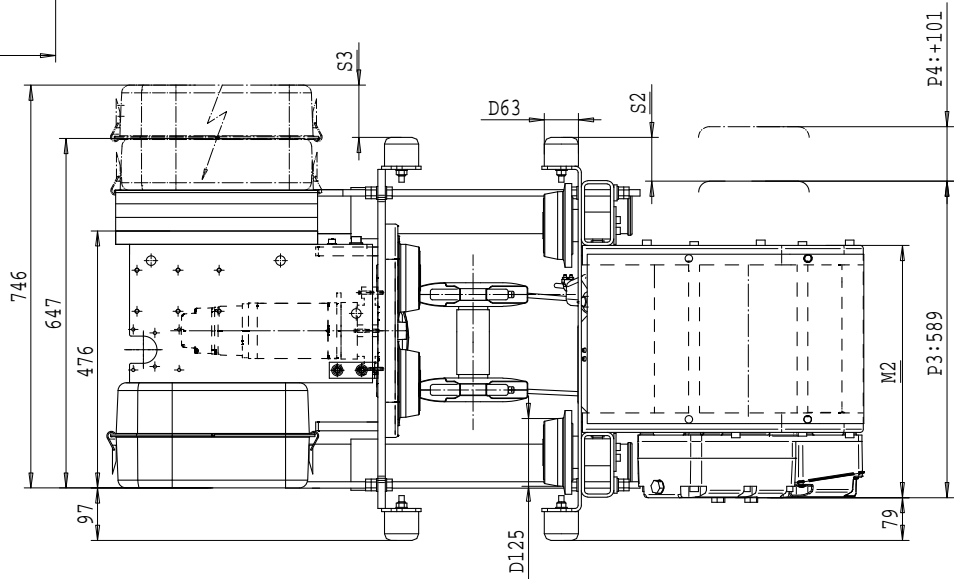
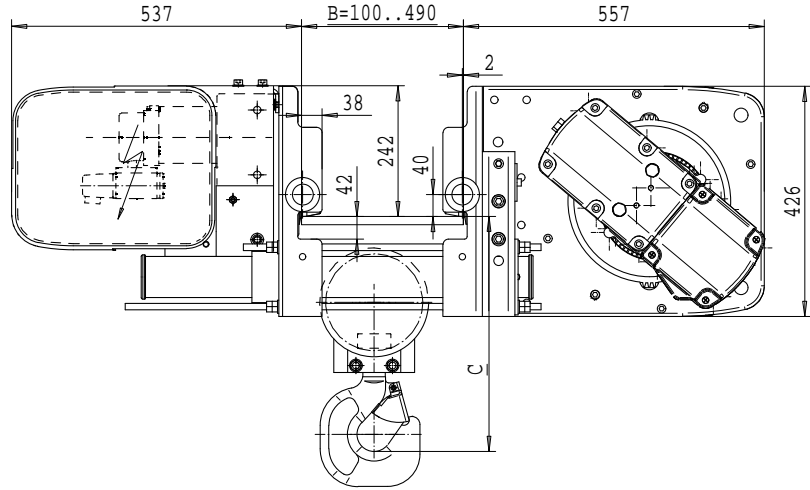
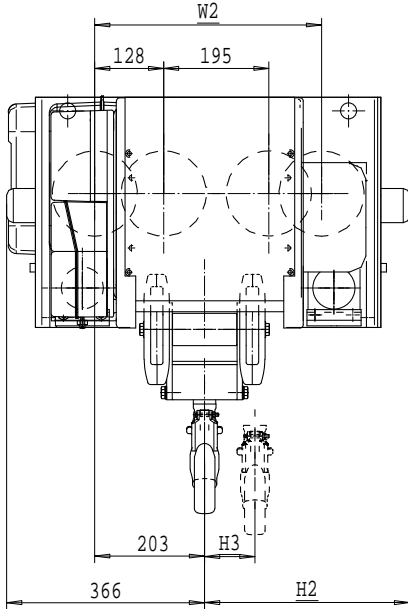
Elektroseilzug  
Electric wire rope hoist

TROLLEY; LOW HEADROOM, 4 ROPE FALLS, 6300 kg



SI-50Hz

Hoist type:  
NC04LX...



Load (kg)	Class Fem/ISO	Hoisting speed (m/min)
6300	1Am/M4	4/0,7

HOL (m)	Length code	M2 (mm)	H2 (mm)	H3 (mm)	S2 (mm)	S3 (mm)	W2 (mm)	Weight (kg)
6	B	467	380	49	81	97	420	330
9	C	567	480	74	181	-3	520	350
12	D	667	580	99	281	-103	620	370

# NOVA

Elektroseilzug  
Electric wire rope hoist

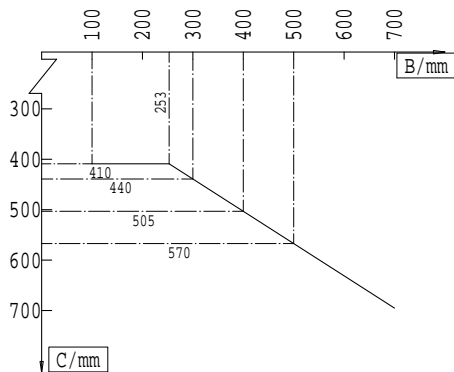
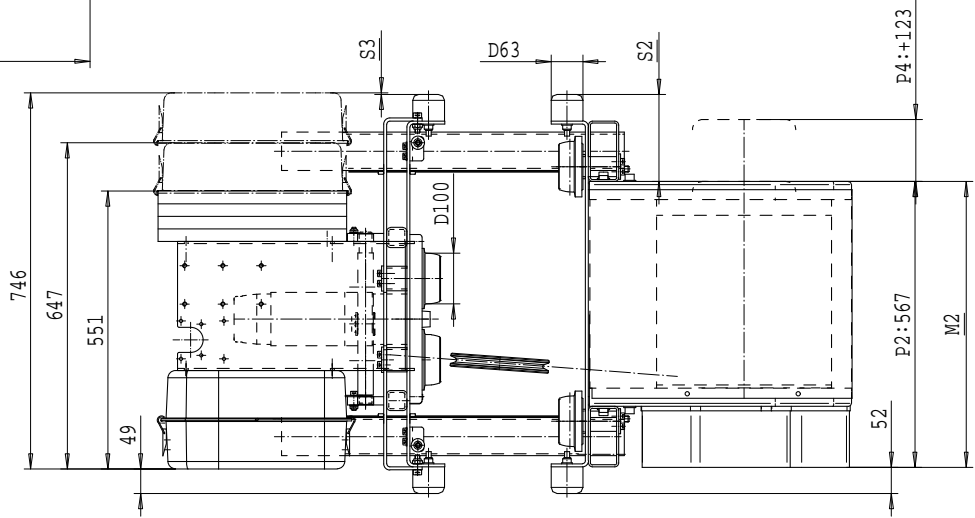
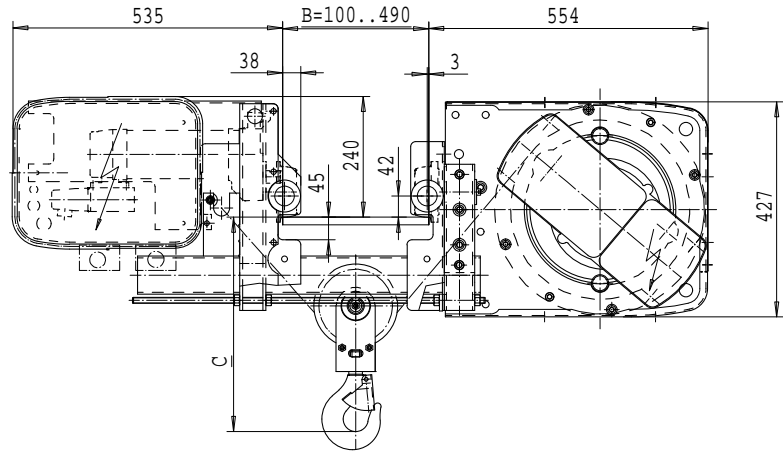
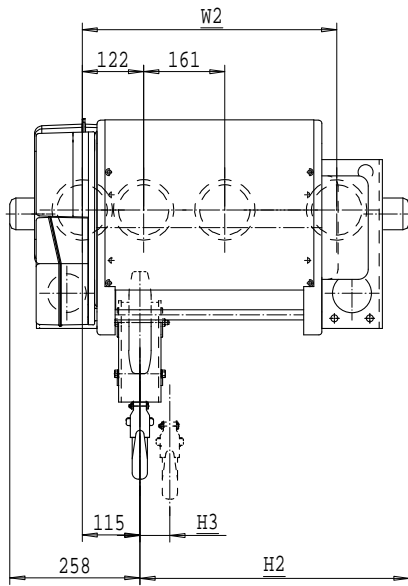


TROLLEY; LOW HEADROOM, 2 ROPE FALLS, 1600 kg

Hoist type:

NC02L...

SI-50Hz



Load (kg)	Class Fem/ISO	Hoisting speed (m/min)		
		Gear+Motor code:		
		E+P2	F+P2	H+P4
1250	3m/M6	8/1,3	10/1,7	16/2,7
1600	2m/M5	8/1,3	10/1,7	16/2,7
+ weight (kg):		-	-	40

HOL (m)	Length code	M2 (mm)	H2 (mm)	H3 (mm)	S2 (mm)	S3 (mm)	W2 (mm)	Weight (kg)
22,5	C	567	534	144	173	3	505	320
30	D	667	634	193	273	-97	605	340

# NOVA Elektroseilzug

## Electric wire rope hoist

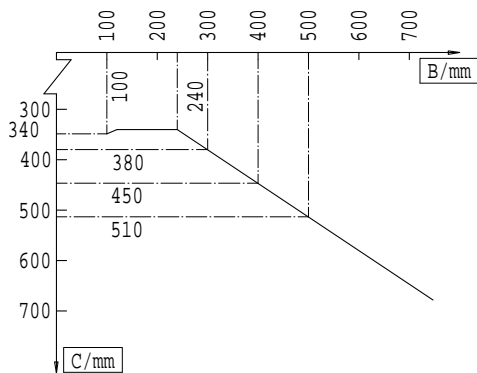
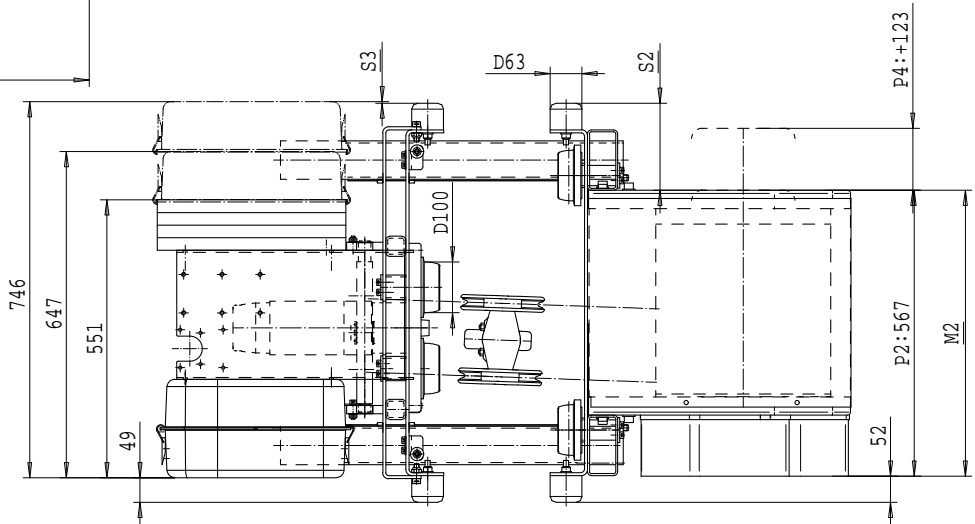
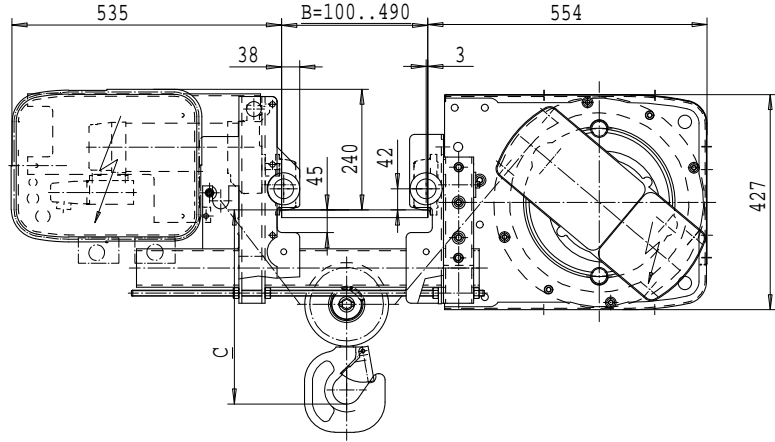
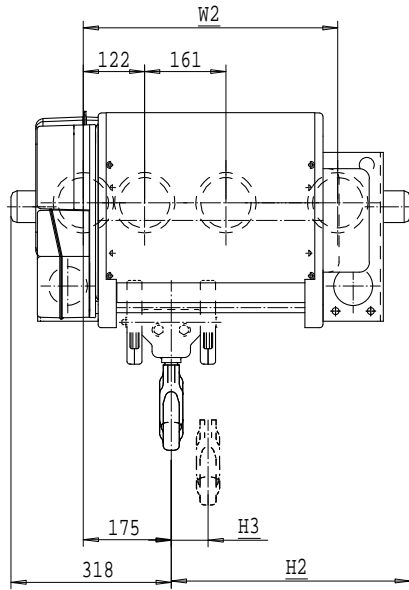
TROLLEY; LOW HEADROOM, 4 ROPE FALLS, 3200 kg

Hoist type:

NC04L...



SI-50Hz



Load (kg)	Class Fem/ISO	Hoisting speed (m/min)		
		Gear+Motor code:		
		E+P2	F+P2	H+P4
2500	3m/M6	4/0,7	5/0,8	8/1,3
3200	2m/M5	4/0,7	5/0,8	8/1,3
+ weight (kg):		-	-	40

HOL (m)	Length code	M2 (mm)	H2 (mm)	H3 (mm)	S2 (mm)	S3 (mm)	W2 (mm)	Weight (kg)
11	C	567	474	73	173	3	505	335
15	D	667	574	99	273	-97	605	355

# NOVA Elektroseilzug

## Electric wire rope hoist

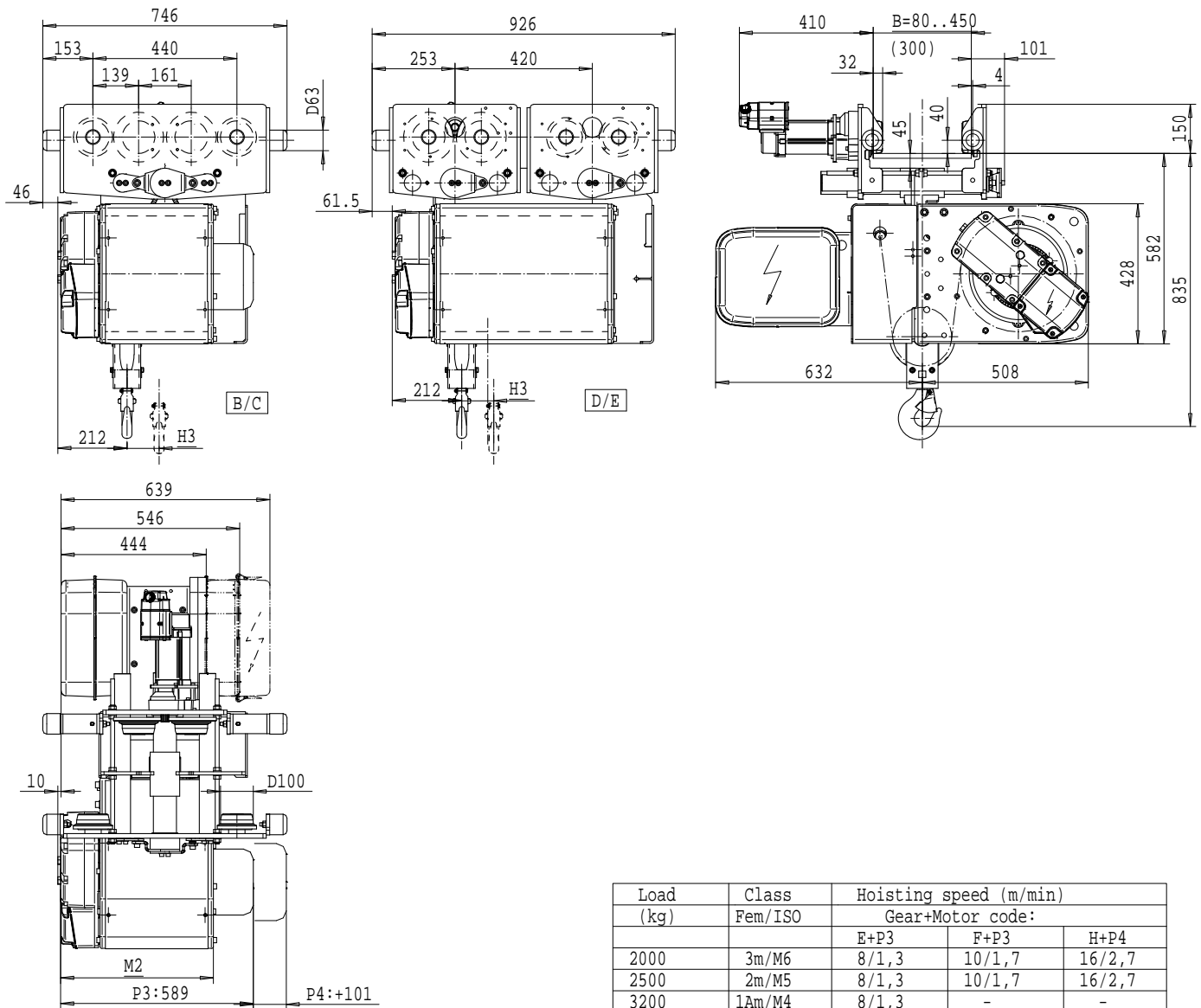
TROLLEY; NORMAL HEADROOM, 2 ROPE FALLS

Hoist type:

NC02N...

**SWF**  
KRANTECHNIK

SI-50Hz



Load (kg)	Class Fem/ISO	Hoisting speed (m/min)		
		Gear+Motor code:		
		E+P3	F+P3	H+P4
2000	3m/M6	8/1,3	10/1,7	16/2,7
2500	2m/M5	8/1,3	10/1,7	16/2,7
3200	1Am/M4	8/1,3	-	-
+ weight (kg):		-	-	40

Note:

Weight calculated, when B=300mm

HOL (m)	Length code	M2 (mm)	H3 (mm)	Weight (kg)
12	B	467	98	325
18	C	567	147	345
24	D	667	198	405
30	E	787	258	425

# NOVA Elektroseilzug

## Electric wire rope hoist

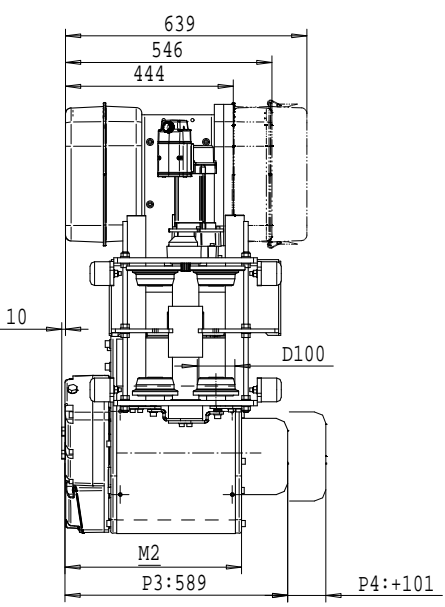
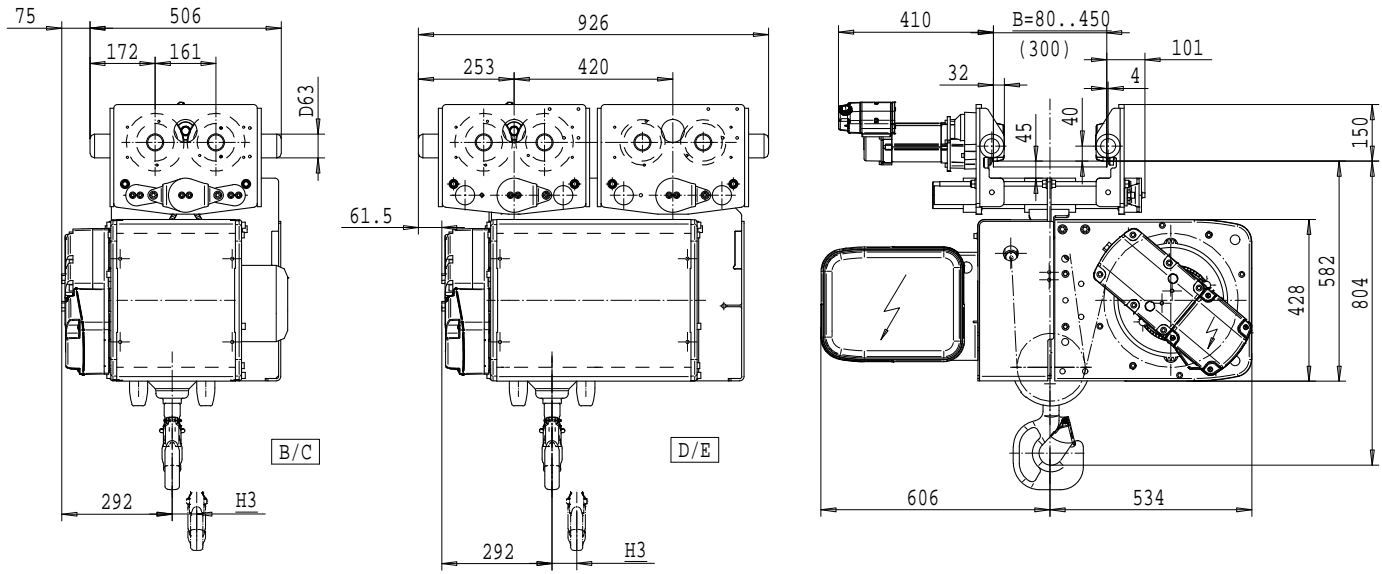
TROLLEY; NORMAL HEADROOM, 4 ROPE FALLS

Hoist type:

NC04N...



SI-50Hz



Load (kg)	Class Fem/ISO	Hoisting speed (m/min)	
		Gear+Motor code:	
		F+P3	H+P4
4000	3m/M6	5/0,8	8/1,3
5000	2m/M5	5/0,8	8/1,3
+ weight (kg):		-	40

HOL (m)	Length code	M2 (mm)	H3 (mm)	Weight (kg)
6	B	467	49	330
9	C	567	73	350
12	D	667	97	410
15	E	787	121	430

SWF Krantechnik GmbH reserves the right to alter or amend the above information without notice.  
SWF Krantechnik GmbH behält sich das Recht auf Änderungen oder Richtigstellung ohne weitere Mitteilung vor.

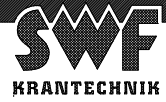
# NOVA Elektroseilzug

## Electric wire rope hoist

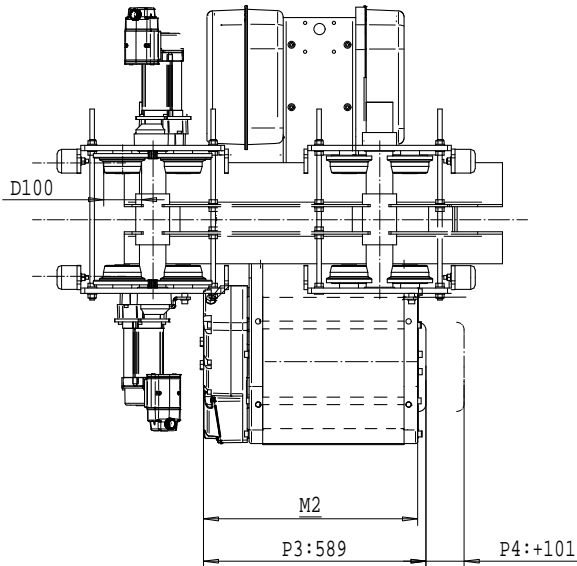
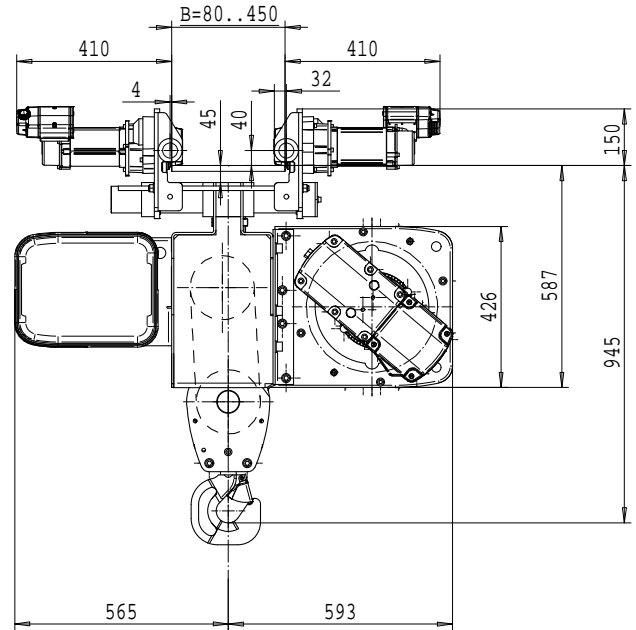
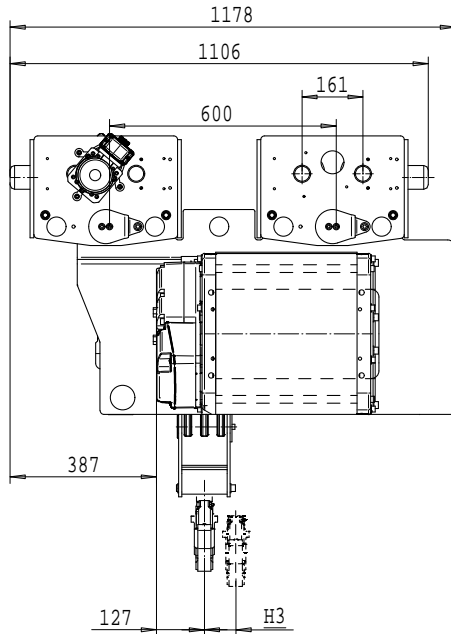
TROLLEY; NORMAL HEADROOM, 6 ROPE FALLS

Hoist type:

NC06N...



SI-50Hz



Load (kg)	Class Fem/ISO	Hoisting speed (m/min)	
		Gear+P3	Motor code: H+P4
6000	3m/M6	3,2/0,5	5/0,8
7500	2m/M5	3,2/0,5	5/0,8
+ weight (kg):		-	40

HOL (m)	Length code	M2 (mm)	H3 (mm)	Weight (kg)
6	C	567	49	540
8	D	667	65	560
10	E	787	85	585

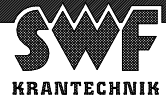
# NOVA

Elektroseilzug  
Electric wire rope hoist

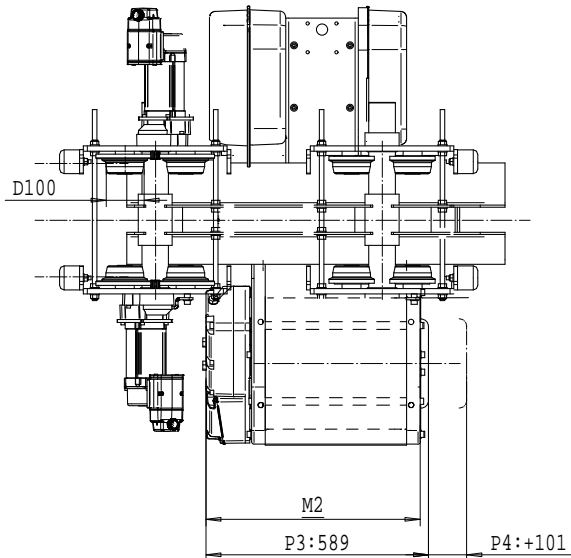
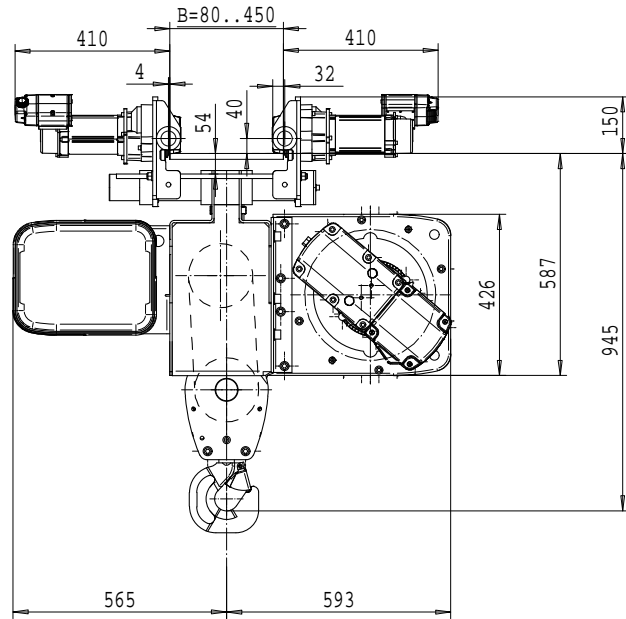
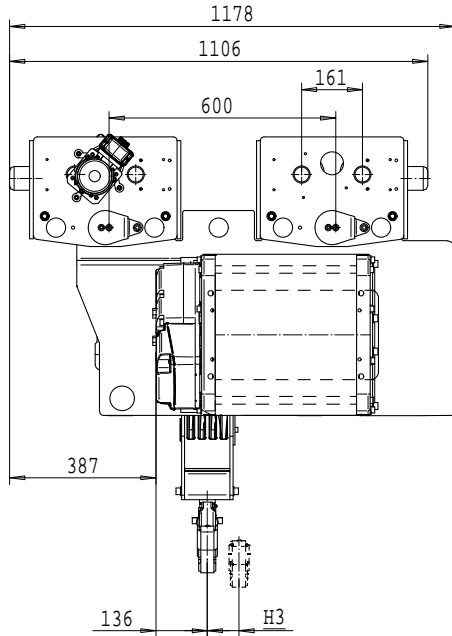
TROLLEY; NORMAL HEADROOM, 8 ROPE FALLS

Hoist type:

NC08N...



SI-50Hz



Load (kg)	Class Fem/ISO	Hoisting speed (m/min)	
		Gear+Motor	code:
8000	2m/M5	2,5/0,4	4/0,7
10000	1Am/M4	2,5/0,4	4/0,7
+ weight (kg):		-	40

HOL (m)	Length code	M2 (mm)	H3 (mm)	Weight (kg)
4,5	C	567	37	545
6	D	667	49	565
7,5	E	787	64	590

# NOVA

Elektroseilzug  
Electric wire rope hoist

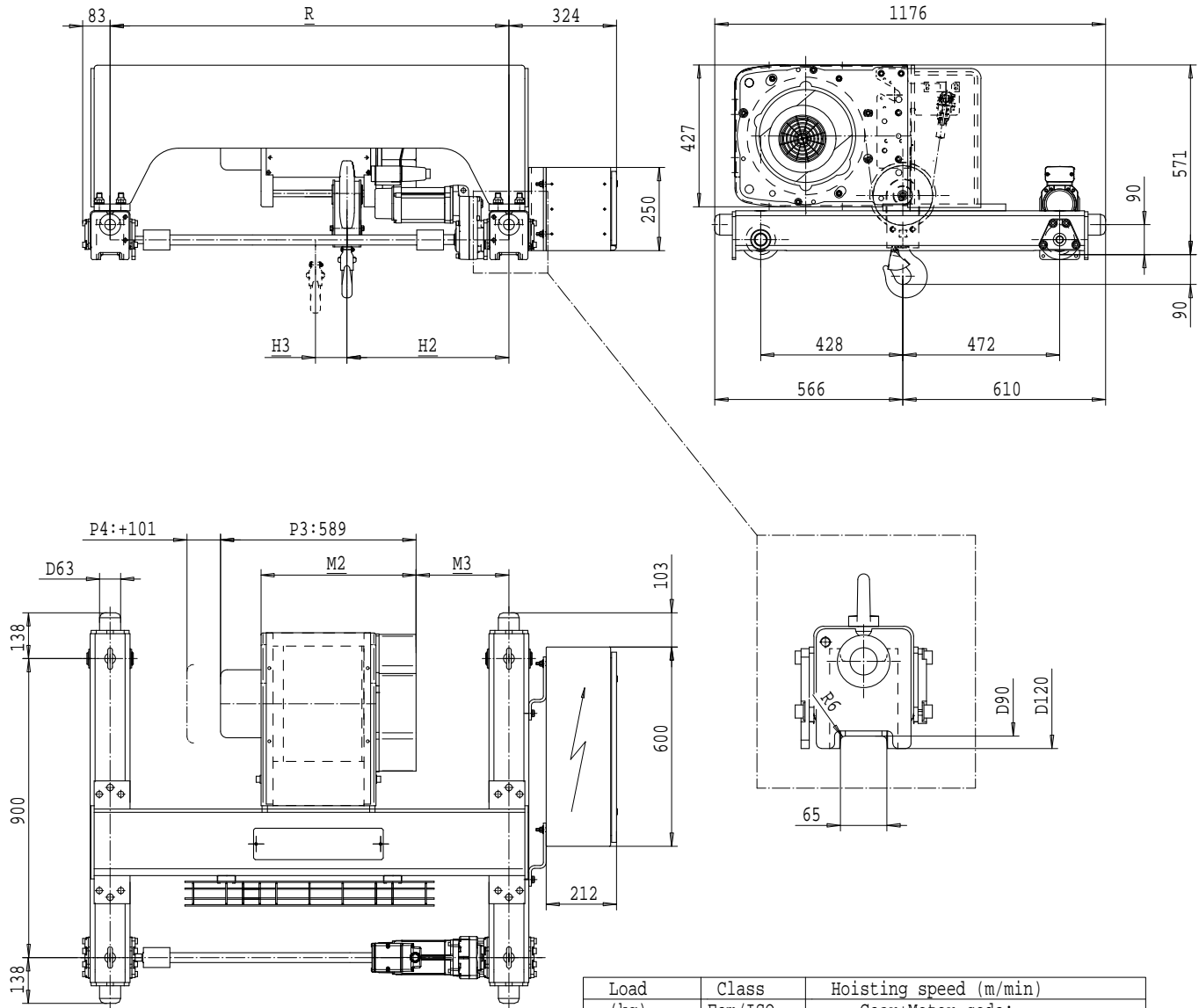
## TROLLEY; DOUBLE GIRDER, HIGH, 2 ROPE FALLS

Hoist type:

NC02H...



SI-50Hz



Load (kg)	Class Fem/ISO	Hoisting speed (m/min)		
		Gear+Motor code:		
		E+P3	F+P3	H+P4
2000	3m/M6	8/1,3	10/1,7	16/2,7
2500	2m/M5	8/1,3	10/1,7	16/2,7
3200	1Am/M4	8/1,3	-	-
+ weight (kg):		-	-	20

HOL (m)	Length code	M2 (mm)	M3 (mm)	H2 (mm)	H3 (mm)	min R (mm)	Weight (kg)
12	B	467	130	337	95	900	321
18	C	567	130	337	144	900	331
24	D	667	102	309	193	900	346
30	E	787	252	459	252	1200	367

Note:

Min R with service platform and second brake

Standard rail gauges: 900, 1200, 1400, 1700, 2000



# NOVA

Elektroseilzug  
Electric wire rope hoist

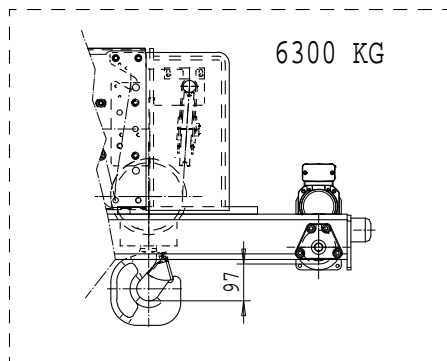
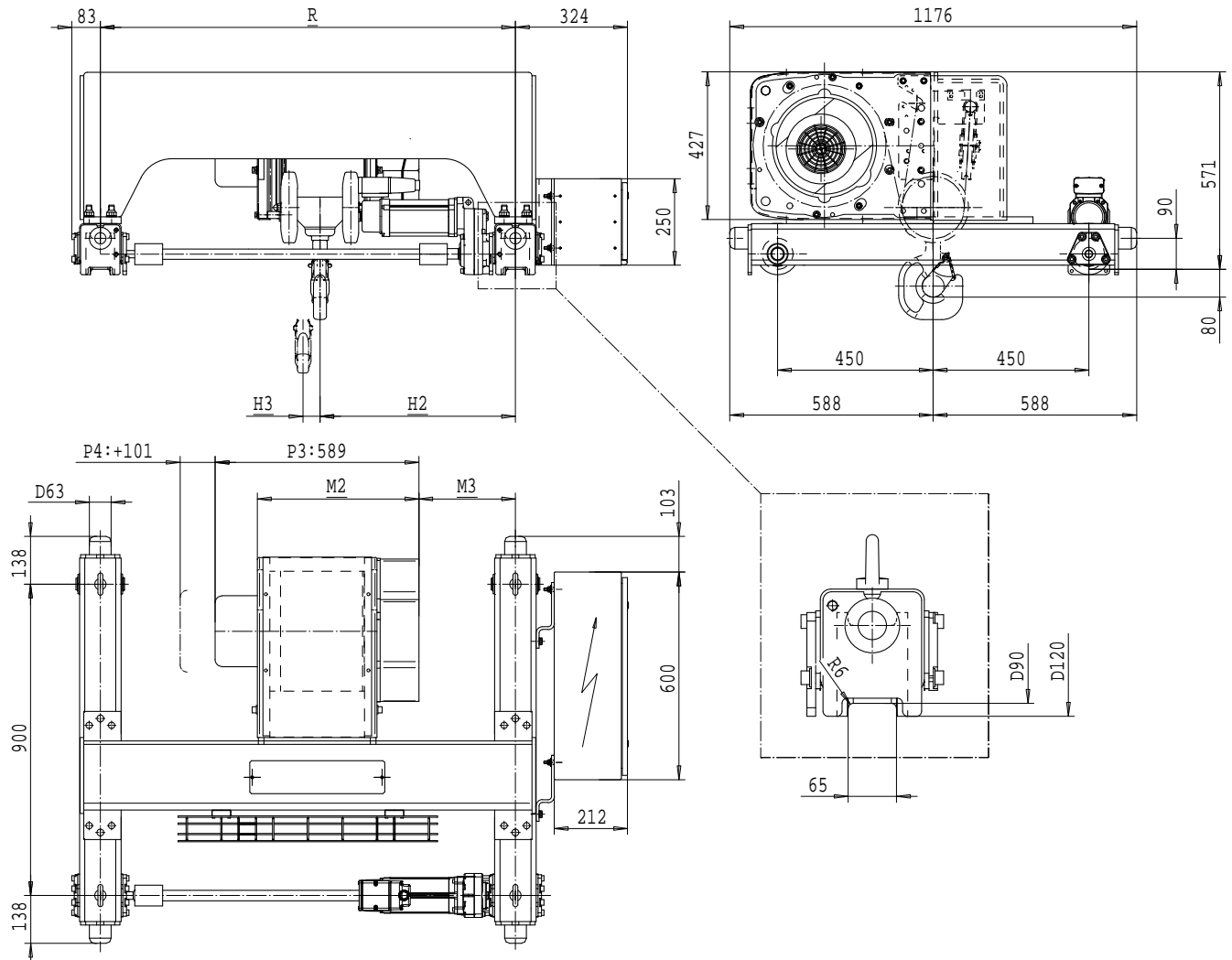
## TROLLEY; DOUBLE GIRDER, HIGH, 4 ROPE FALLS

Hoist type:

NC04H...



SI-50Hz



Load (kg)	Class Fem/ISO	Hoisting speed (m/min)		
		Gear+Motor code:		
		E+P3	F+P3	H+P4
4000	3m/M6	4/0,7	5/0,8	8/1,3
5000	2m/M5	4/0,7	5/0,8	8/1,3
6300	1Am/M4	4/0,7	-	-
+ weight (kg):		-	-	20

HOL (m)	Length code	M2 (mm)	M3 (mm)	H2 (mm)	H3 (mm)	min R (mm)	Weight (kg)
6	B	467	130	415	49	900	325
9	C	567	130	415	74	900	335
12	D	667	102	387	99	900	355
15	E	787	252	537	129	1200	375

Note:

Min R with service platform and second brake

Standard rail gauges: 900, 1200, 1400, 1700, 2000

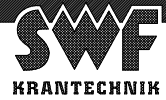
# NOVA Elektroseilzug

## Electric wire rope hoist

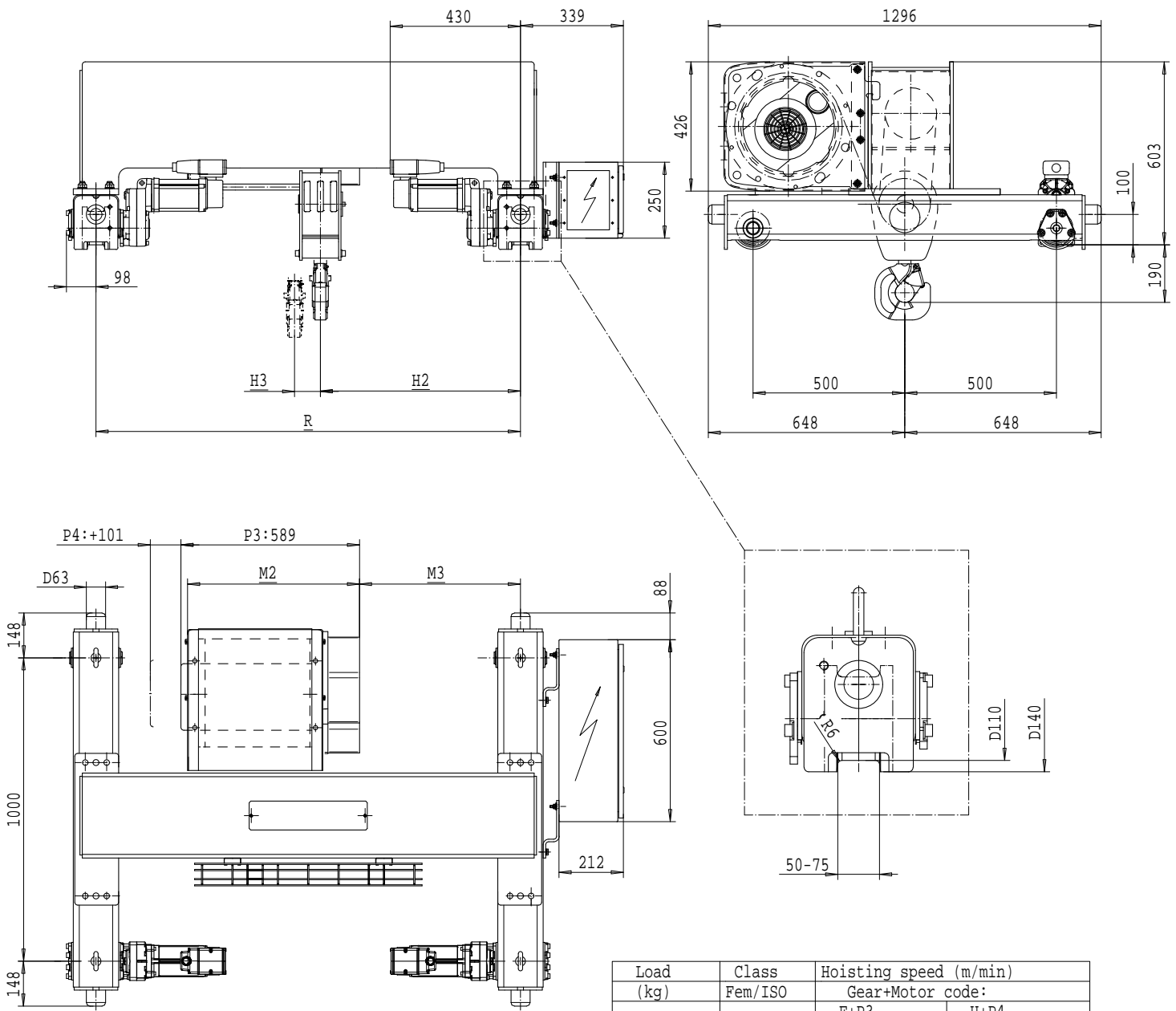
TROLLEY; DOUBLE GIRDER, HIGH, 6 ROPE FALLS

Hoist type:

NC06H...



SI-50Hz



Load (kg)	Class Fem/ISO	Hoisting speed (m/min)	
		Gear+Motor code:	
		F+P3	H+P4
6000	3m/M6	3,2/0,5	5/0,8
7500	2m/M5	3,2/0,5	5/0,8
+ weight (kg):		-	20

HOL (m)	Length code	M2 (mm)	M3 (mm)	H2 (mm)	H3 (mm)	min R (mm)	Weight (kg)
6	C	567	431	560	49	1200	555
8	D	667	431	560	65	1200	565
10	E	787	531	660	85	1400	595

Note:

Min R with service platform and second brake

Standard rail gauges:1200,1400,1700 and 2000

# NOVA Elektroseilzug

## Electric wire rope hoist

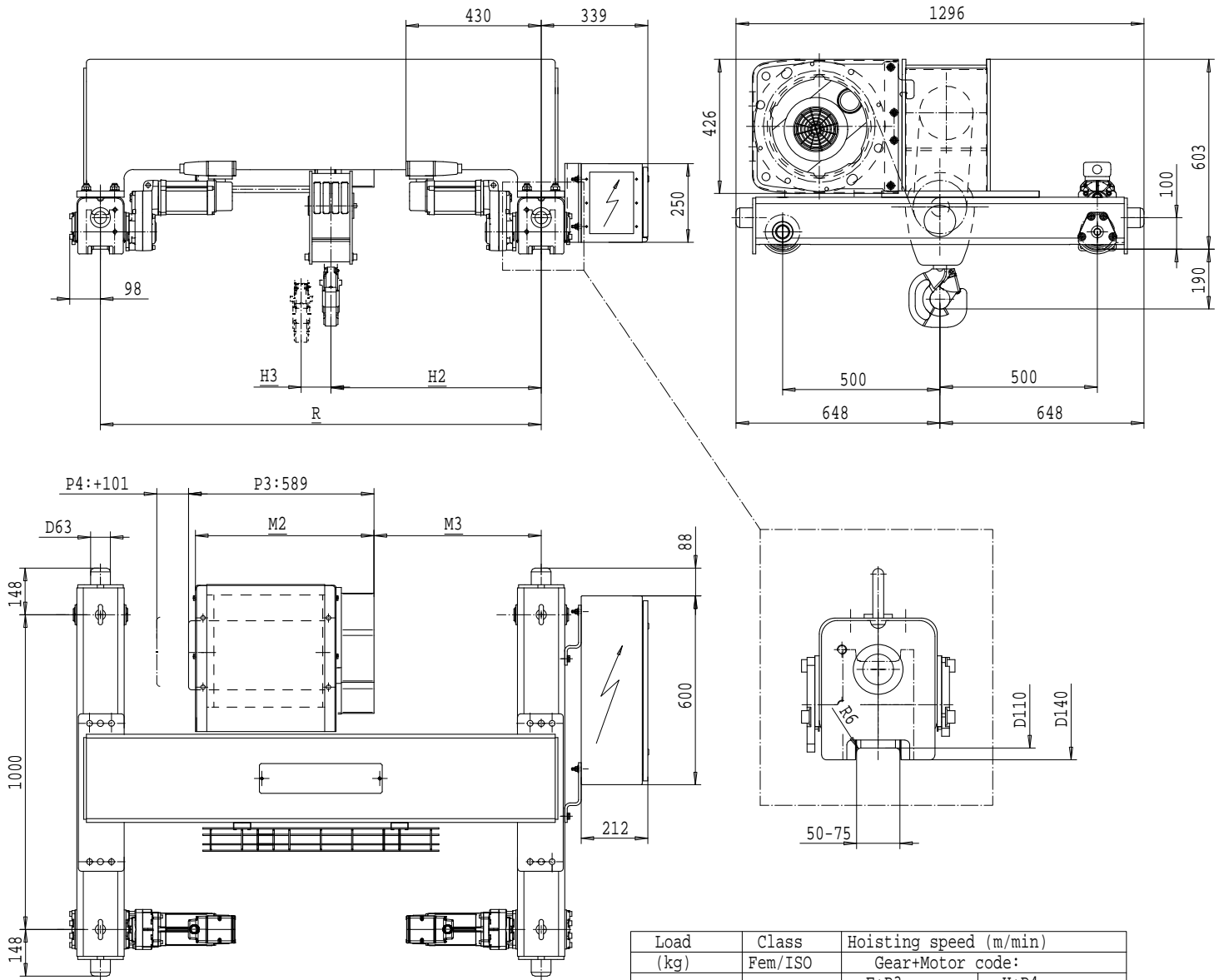
TROLLEY; DOUBLE GIRDER, HIGH, 8 ROPE FALLS

Hoist type:

NC08H...



SI-50Hz



Load (kg)	Class Fem/ISO	Hoisting speed (m/min)	
		Gear+Motor code:	
		F+P3	H+P4
8000	2m/M5	2,5/0,4	4/0,7
10000	1Am/M4	2,5/0,4	4/0,7
+ weight (kg):		-	20

HOL (m)	Length code	M2 (mm)	M3 (mm)	H2 (mm)	H3 (mm)	min R (mm)	Weight (kg)
4.5	C	567	431	568	37	1200	680
6	D	667	431	568	49	1200	695
7.5	E	787	531	668	64	1400	735

Note:

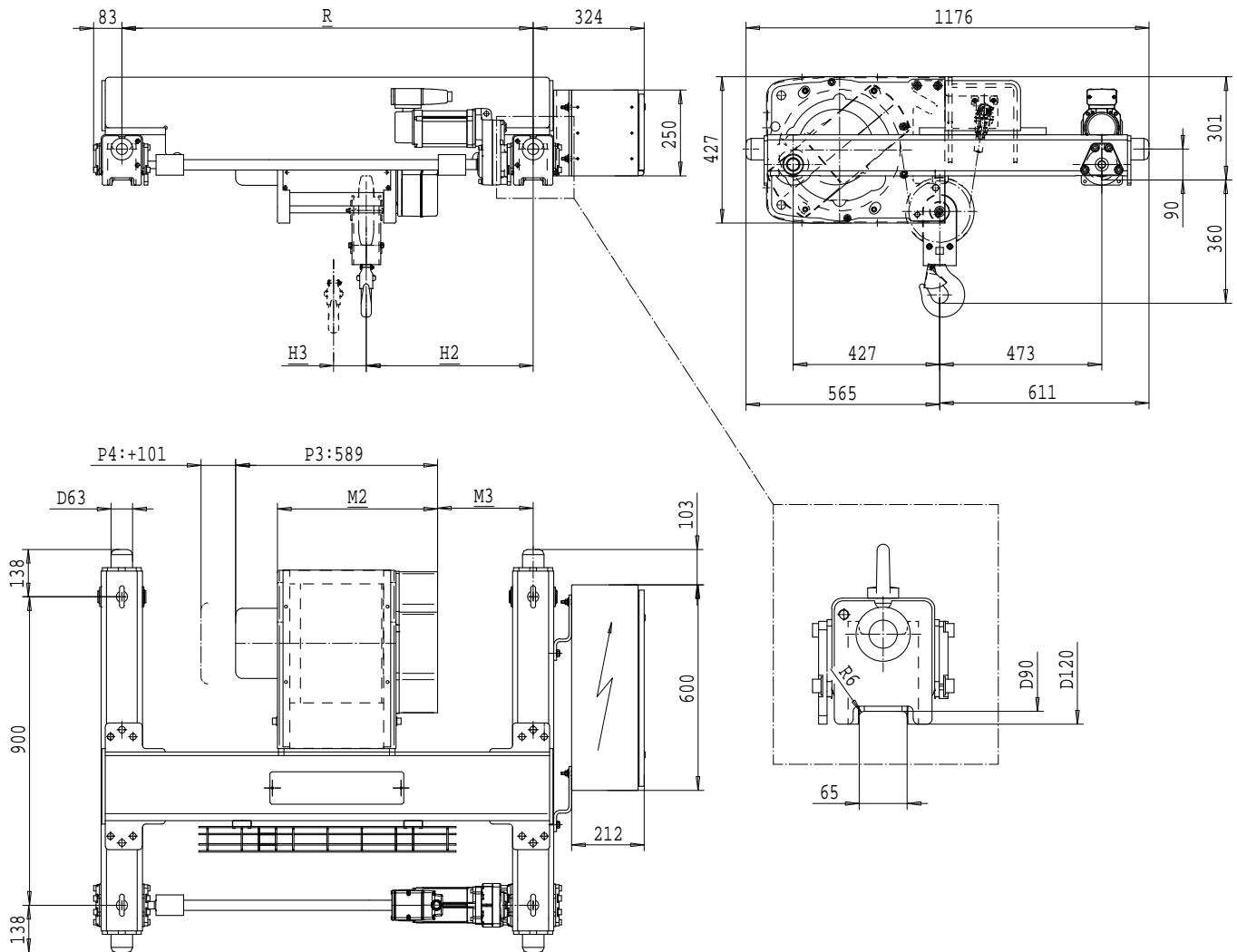
Min R with service platform and second brake  
Standard rail gauges:1200,1400,1700 and 2000

## TROLLEY; DOUBLE GIRDER, MEDIUM, 2 ROPE FALLS

Hoist type:

NC02M...

SI-50Hz



Load (kg)	Class Fem/ISO	Hoisting speed (m/min)		
		Gear+Motor code:		
		E+P3	F+P3	H+P4
2000	3m/M6	8/1,3	10/1,7	16/2,7
2500	2m/M5	8/1,3	10/1,7	16/2,7
3200	1Am/M4	8/1,3	-	-
+ weight (kg):		-	-	20

HOL (m)	Length code	M2 (mm)	M3 (mm)	H2 (mm)	H3 (mm)	min R (mm)	Weight (kg)
12	B	467	280	487	95	1200	310
18	C	567	280	487	144	1200	320
24	D	667	352	559	193	1400	335
30	E	787	352	559	252	1400	350

Note:

Min R with service platform and second brake  
Standard rail gauges:1200,1400,1700 and 2000

# NOVA Elektroseilzug Electric wire rope hoist

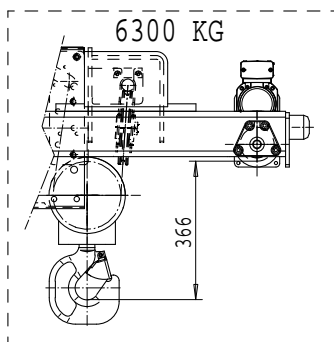
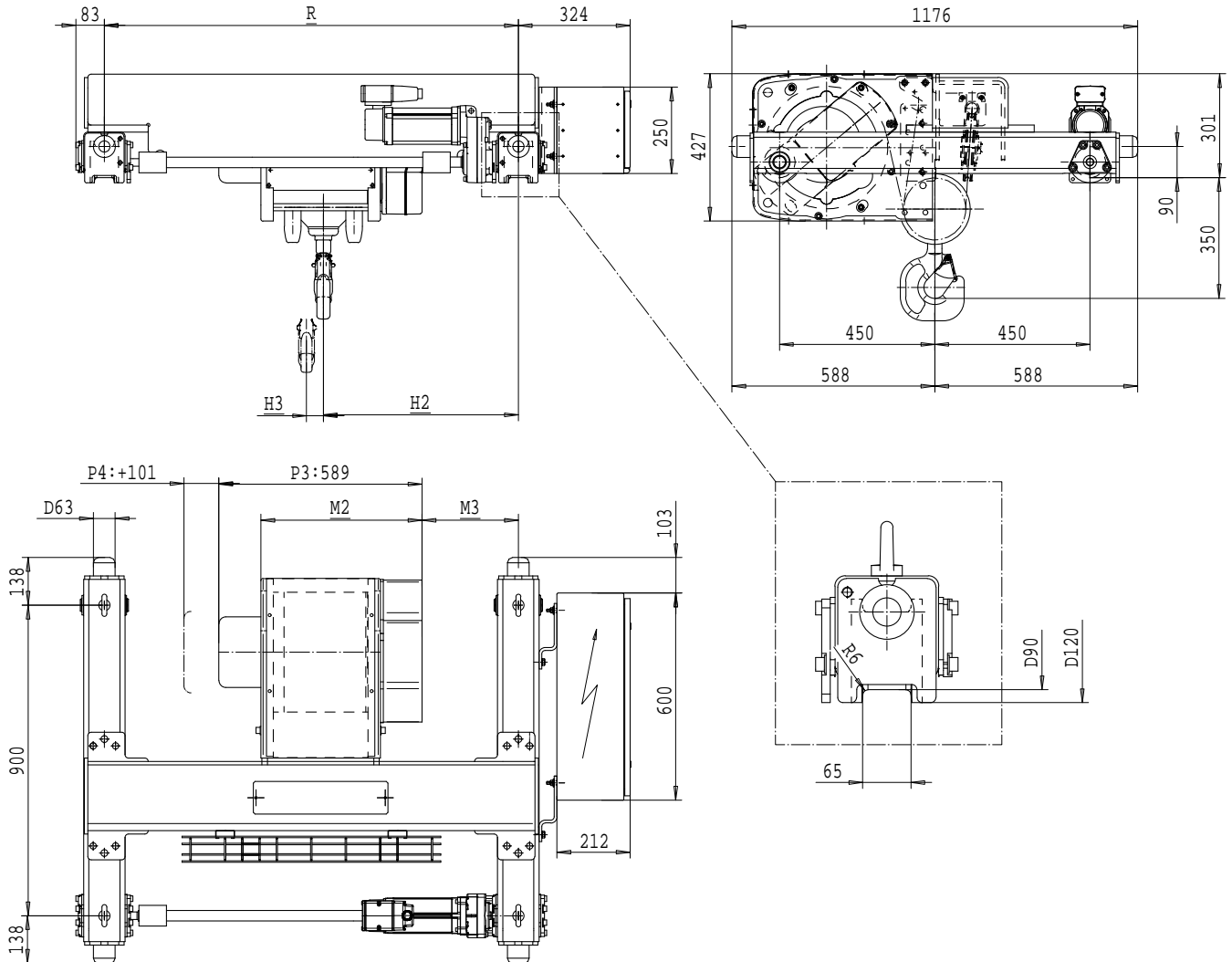
TROLLEY; DOUBLE GIRDER, MEDIUM, 4 ROPE FALLS

Hoist type:

NC04M...

**SWF**  
KRANTECHNIK

SI-50Hz



Load (kg)	Class Fem/ISO	Hoisting speed (m/min)		
		Gear+Motor code:		
		E+P3	F+P3	H+P4
4000	3m/M6	4/0,7	5/0,8	8/1,3
5000	2m/M5	4/0,7	5/0,8	8/1,3
6300	1Am/M4	4/0,7	-	-
+ weight (kg):		-	-	20

HOL (m)	Length code	M2 (mm)	M3 (mm)	H2 (mm)	H3 (mm)	min R (mm)	Weight (kg)
6	B	467	280	565	49	1200	315
9	C	567	280	565	74	1200	325
12	D	667	352	637	99	1400	340
15	E	787	352	637	129	1400	360

Note:

Min R with service platform and second brake

Standard rail gauges:1200,1400,1700 and 2000

# NOVA Elektroseilzug

## Electric wire rope hoist

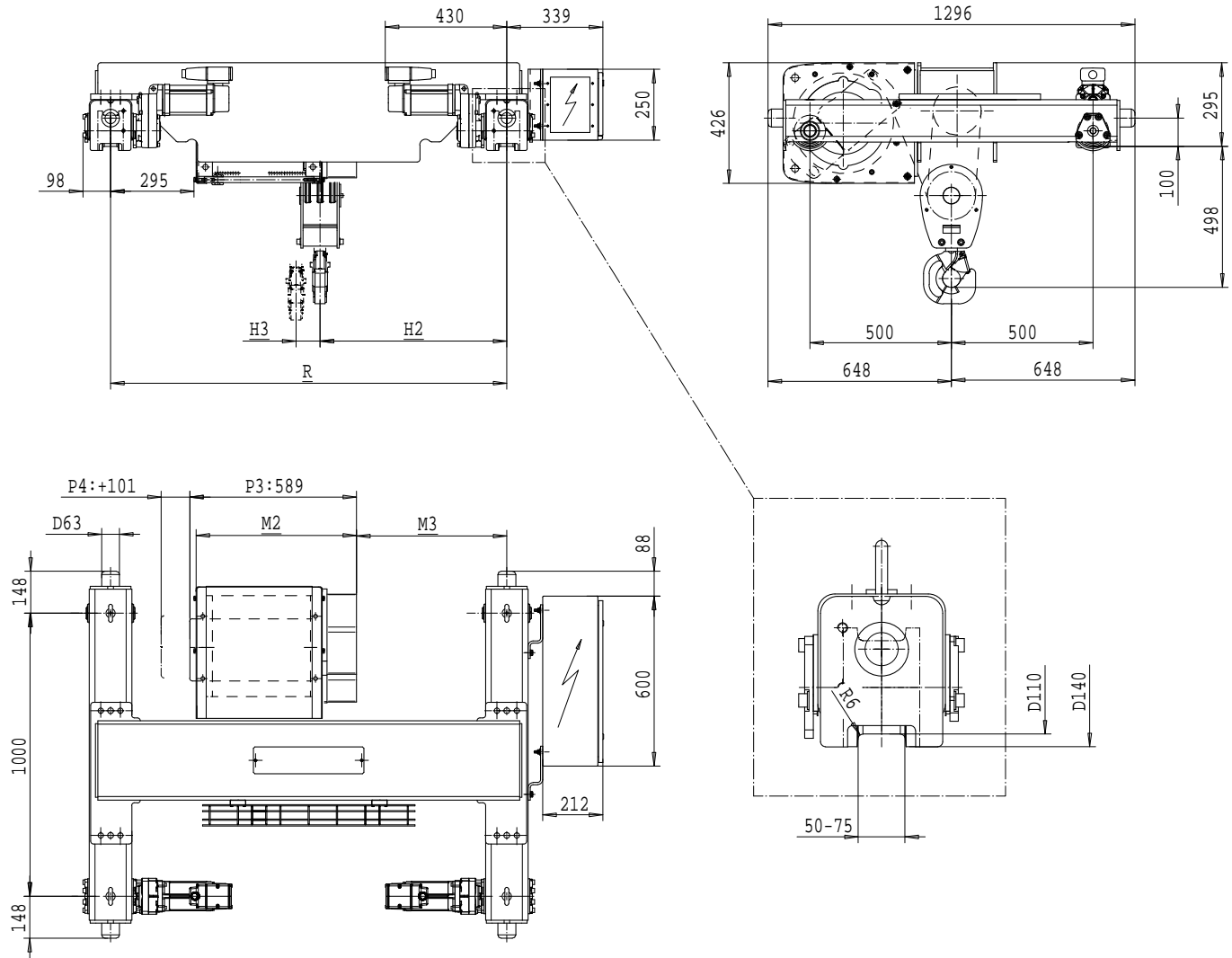
TROLLEY; DOUBLE GIRDER, MEDIUM, 6 ROPE FALLS

Hoist type:

NC06M...



SI-50Hz



Load (kg)	Class Fem/ISO	Hoisting speed (m/min)	
		Gear+Motor code:	
		F+P3	H+P4
6000	3m/M6	3,2/0,5	5/0,8
7500	2m/M5	3,2/0,5	5/0,8
+ weight (kg):		-	20

HOL (m)	Length code	M2 (mm)	M3 (mm)	H2 (mm)	H3 (mm)	min R (mm)	Weight (kg)
6	C	567	531	660	49	1400	530
8	D	667	681	810	65	1700	570
10	E	787	831	960	85	2000	600

Note:

Min R with service platform and second brake

Standard rail gauges:1400,1700 and 2000

# NOVA Elektroseilzug Electric wire rope hoist

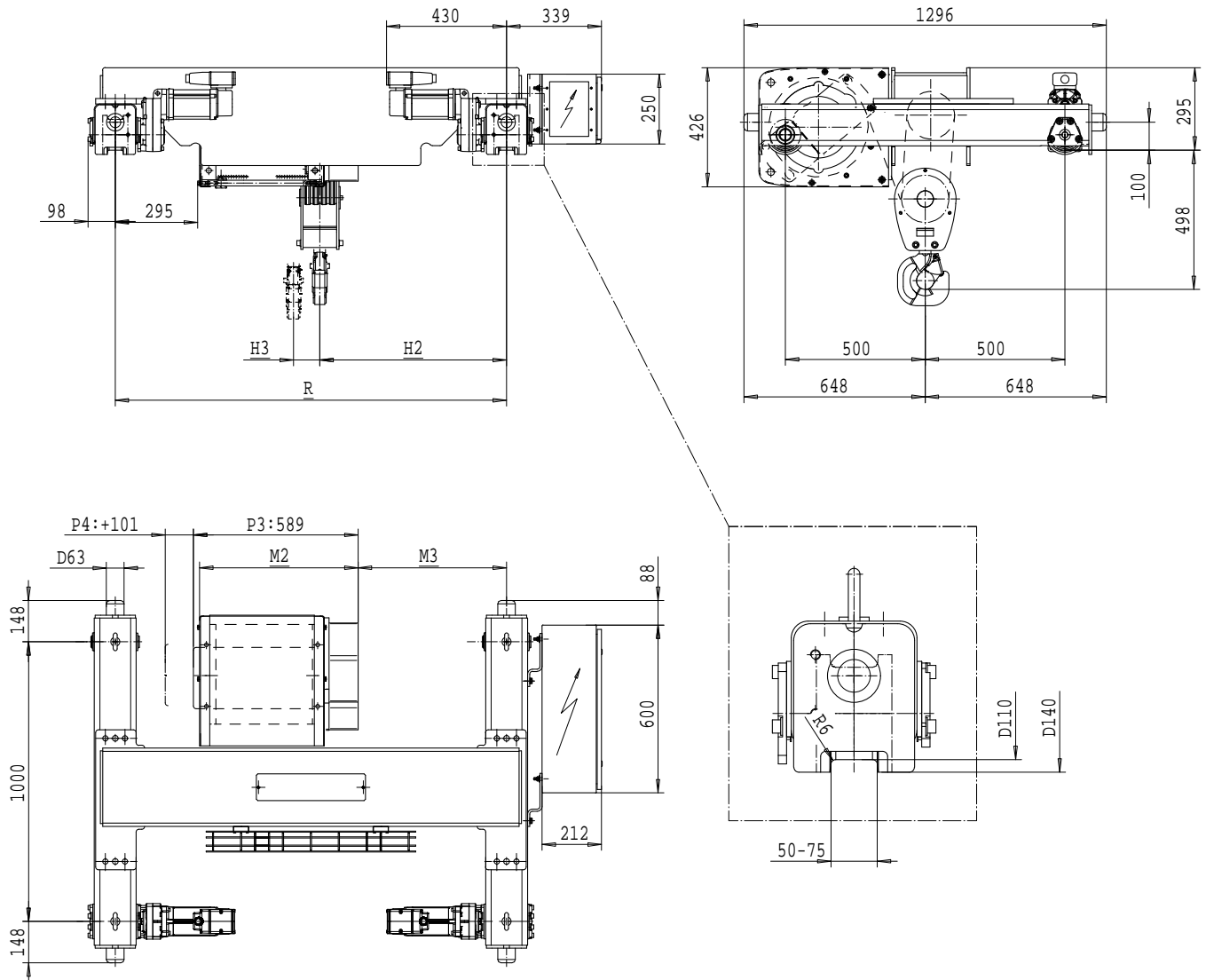
## TROLLEY; DOUBLE GIRDER, MEDIUM, 8 ROPE FALLS

Hoist type:

NC08M...



SI-50Hz



Load (kg)	Class Fem/ISO	Hoisting speed (m/min)	
		Gear+Motor code:	
		F+P3	H+P4
8000	2m/M5	2,5/0,4	4/0,7
10000	1Am/M4	2,5/0,4	4/0,7
+ weight (kg):		-	20

HOL (m)	Length code	M2 (mm)	M3 (mm)	H2 (mm)	H3 (mm)	min R (mm)	Weight (kg)
4.5	C	567	531	668	37	1400	655
6	D	667	681	818	49	1700	700
7.5	E	787	831	968	64	2000	740

Note:

Min R with service platform and second brake

Standard rail gauges:1400,1700 and 2000

# NOVA Elektroseilzug

## Electric wire rope hoist

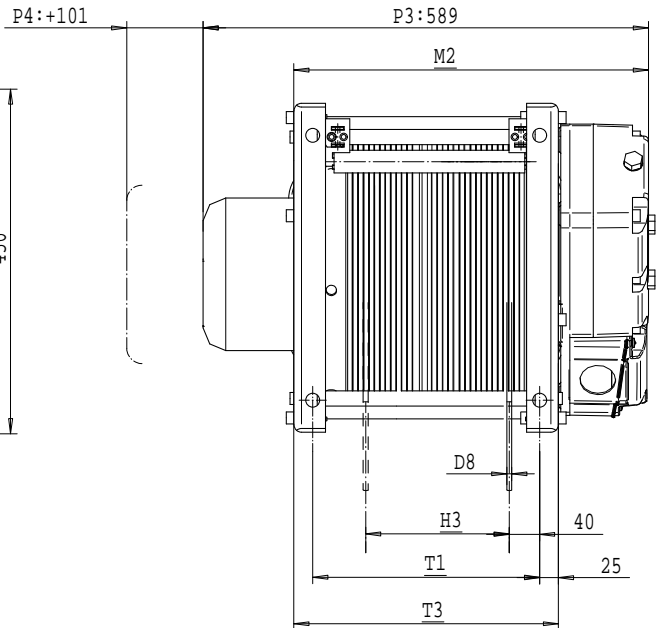
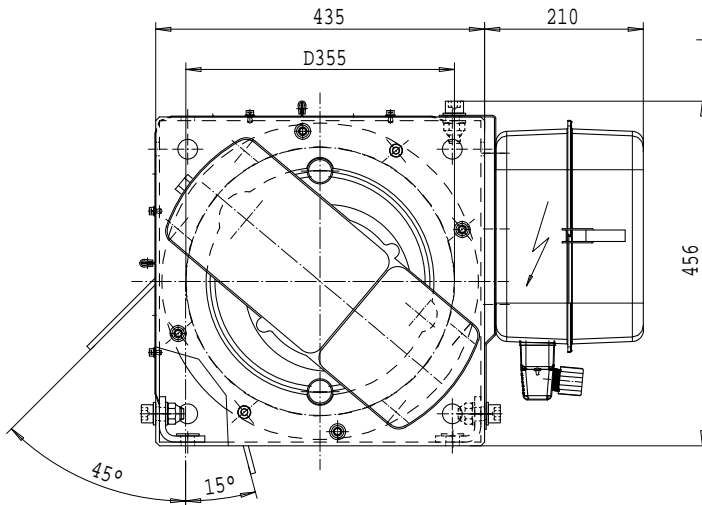
HOIST; MACHINERY HOIST, 1 ROPE FALL

Hoist type:

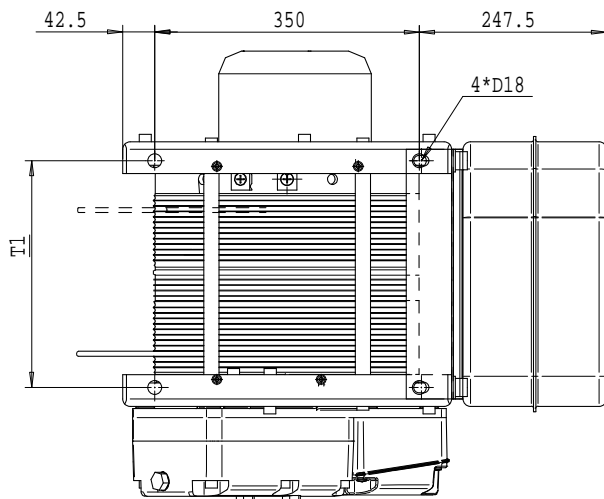
NCM1V...



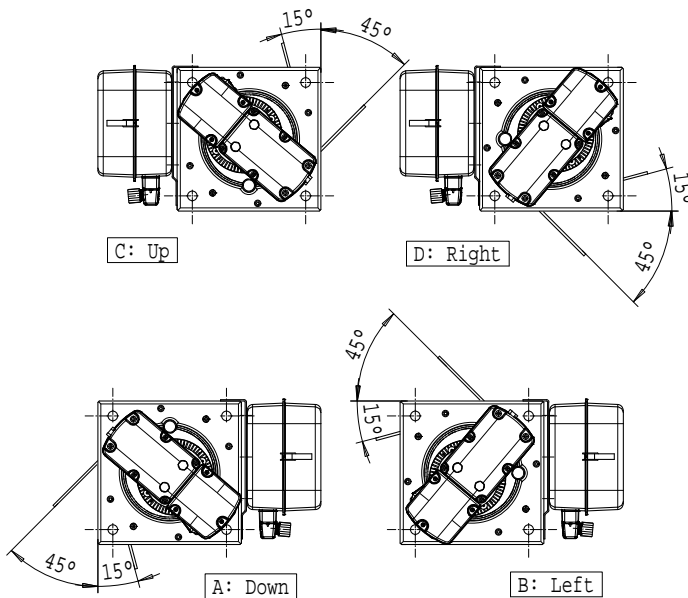
SI-50Hz



Note!  
Max. rope angle from  
drum groove +/-4°



Ropes direction:



Load (kg)	Class Fem/ISO	Hoisting speed (m/min)		
		Gear+Motor code:		
		E+P3	F+P3	H+P4
1000	3m/M6	16/2,7	20/3,3	32/5,3
1250	2m/M5	16/2,7	20/3,3	32/5,3
1600	1Am/M4	16/2,7	-	-
+ weight (kg):		-	-	20

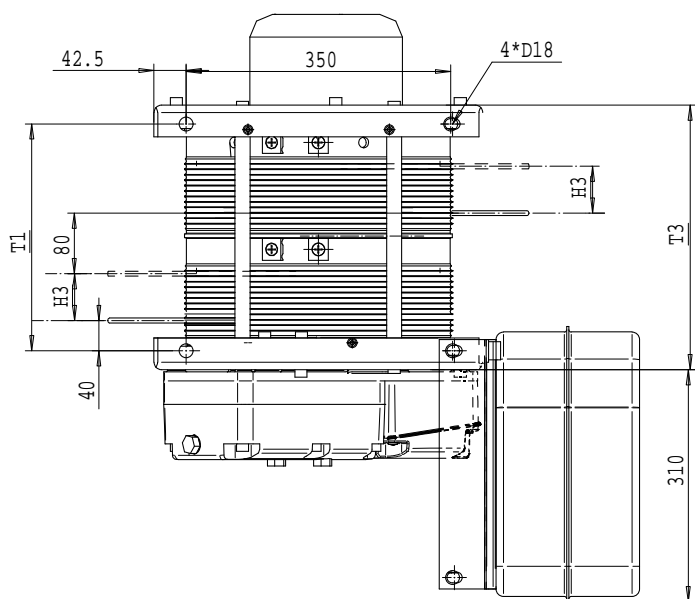
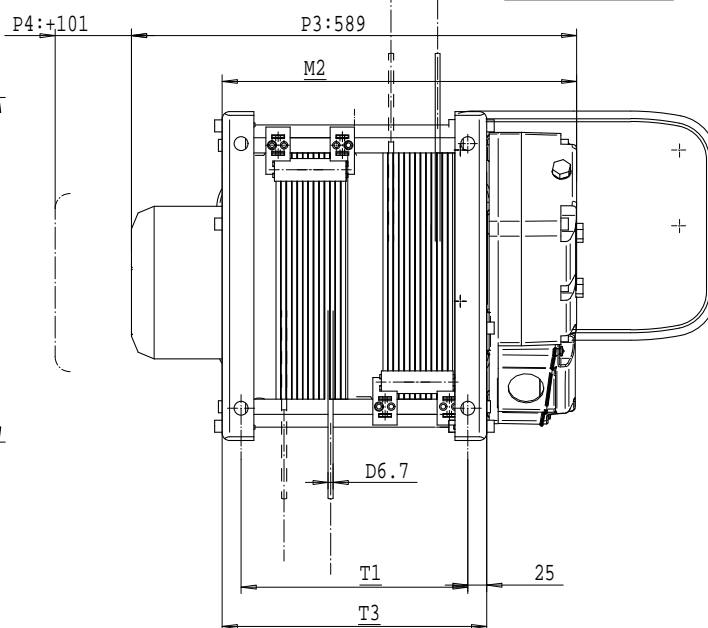
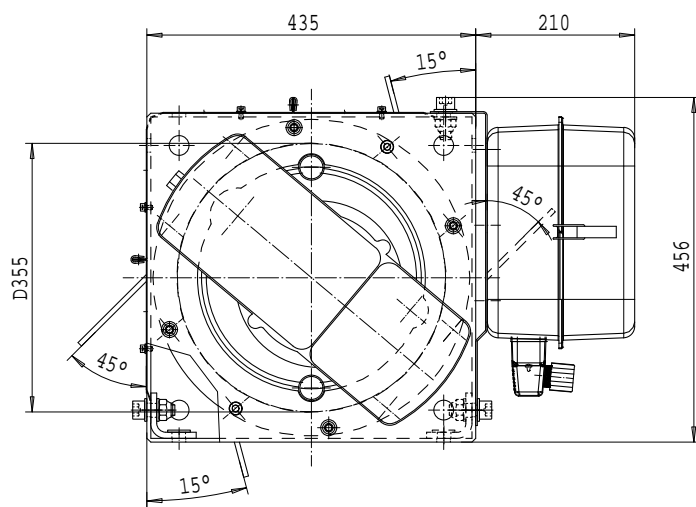
HOL (m)	Length code	M2 (mm)	H3 (mm)	T1 (mm)	T3 (mm)	Weight (kg)
24	B	467	190	300	350	140
36	C	567	288	400	450	150
48	D	667	388	500	550	160
62	E	787	508	620	670	170

Drum groove var. 1

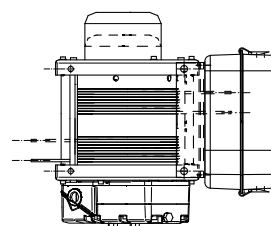


Hoist type:  
NCM2V...

Note!  
Rope 1 closer  
to the gearbox

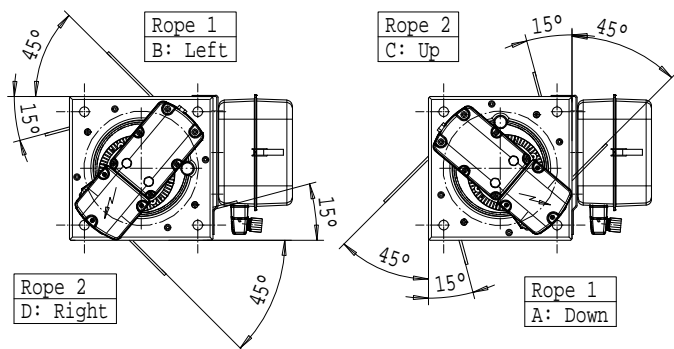


Note!  
Max. rope angle from  
drum groove +/-4°



Optional and transport  
position of the cubicle

Ropes direction:



Load (kg)	Class Fem/ISO	Hoisting speed (m/min)		
		Gear+Motor code:		
		E+P3	F+P3	H+P4
1000	3m/M6	16/2,7	20/3,3	32/5,3
1250	2m/M5	16/2,7	20/3,3	32/5,3
1600	1Am/M4	16/2,7	-	-
+ weight (kg):		-	-	20

HOL (m)	Length code	M2 (mm)	H3 (mm)	T1 (mm)	T3 (mm)	Weight (kg)
9,5	B	467	62	300	350	140
17	C	567	112	400	450	150
25	D	667	162	500	550	160
34	E	787	222	620	670	170

Drum groove var. 4

# NOVA

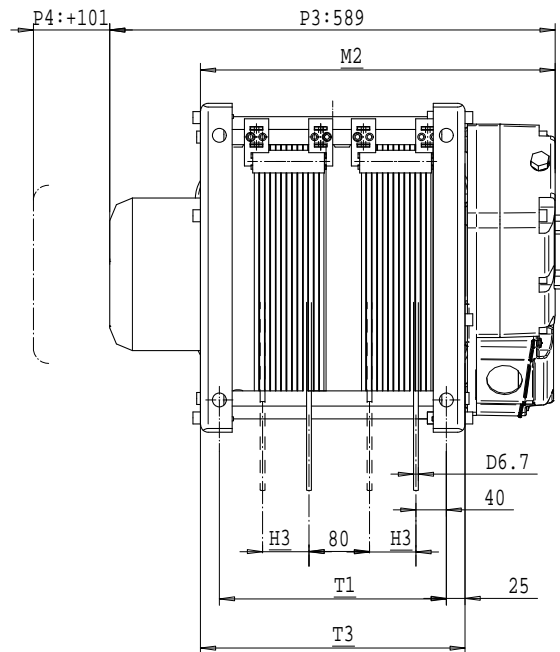
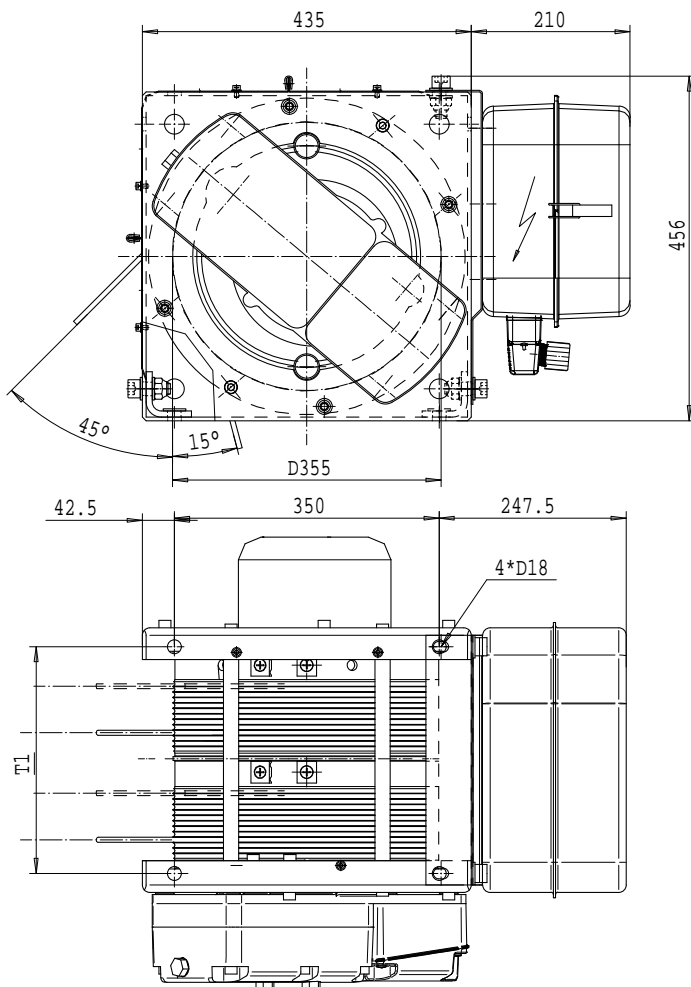
Elektroseilzug  
Electric wire rope hoist

HOIST; MACHINERY HOIST, 2 ROPE FALLS, SAME DIRECTION



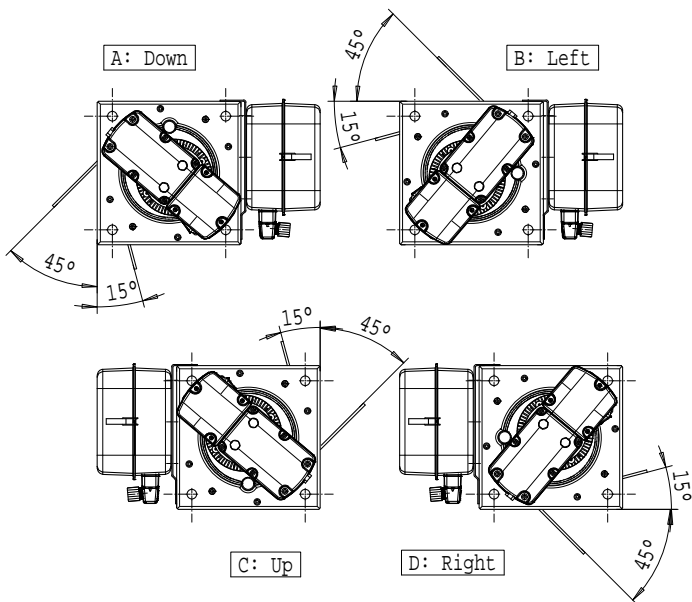
SI-50Hz

Hoist type:  
NCM2V...



Note!  
Max. rope angle from  
drum groove +/-4°

Ropes direction:



Load (kg)	Class Fem/ISO	Hoisting speed (m/min)		
		Gear+Motor code:		
		E+P3	F+P3	H+P4
1000	3m/M6	16/2,7	20/3,3	32/5,3
1250	2m/M5	16/2,7	20/3,3	32/5,3
1600	1Am/M4	16/2,7	-	-
+ weight (kg):		-	-	20

HOL (m)	Length code	M2 (mm)	H3 (mm)	T1 (mm)	T3 (mm)	Weight (kg)
9.5	B	467	62	300	350	140
17	C	567	112	400	450	150
25	D	667	162	500	550	160
34	E	787	222	620	670	170

Drum groove var. 4