

Dimension sheets  
Nova Wire Rope Hoist

1. NOVA ECO

2. NOVA NB

3. NOVA NC

4. NOVA ND

5. NOVA NE

6. NOVA NF

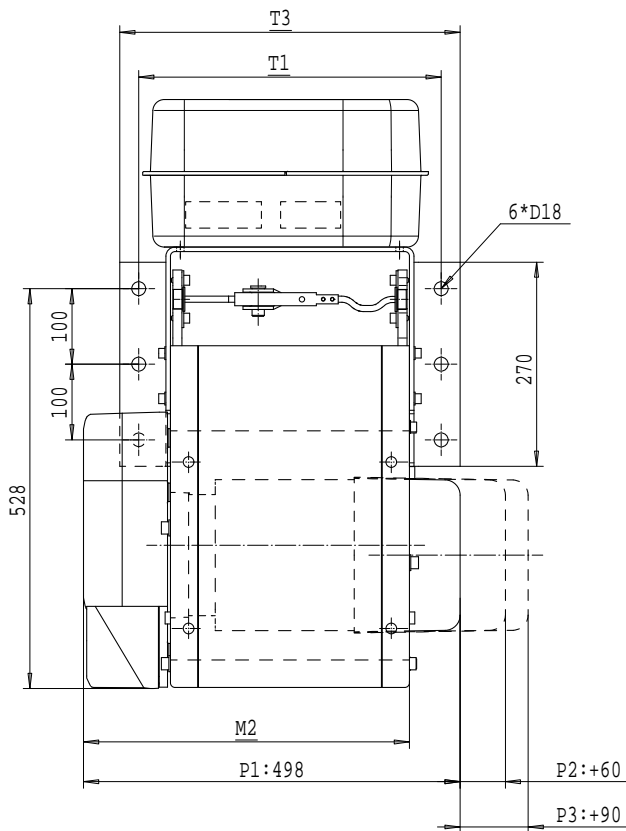
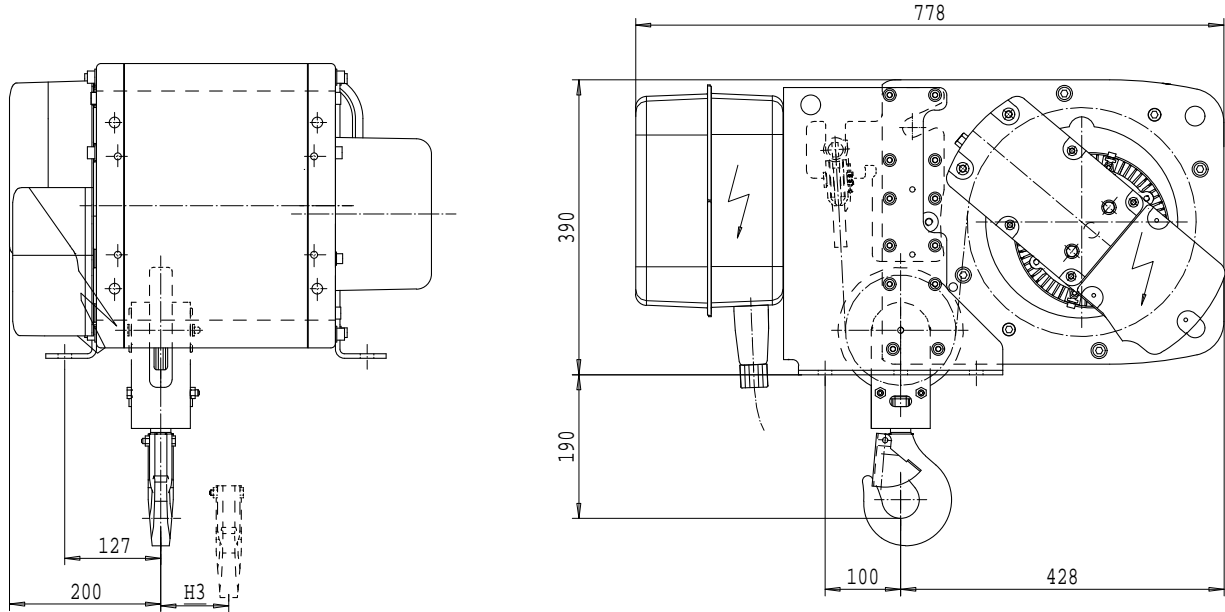
PROD_REF	HOIST_TYPE	REEVING	DRAWING_NR
NB-F-02	HOIST; FIXED	2 ROPE FALLS	D002071-A
NB-F-04	HOIST; FIXED	4 ROPE FALLS	D002078-A
NB-L-02	TROLLEY; LOW HEADROOM	2 ROPE FALLS	D002075-A
NB-L-04	TROLLEY; LOW HEADROOM	4 ROPE FALLS	D002080-A
NB-N-02	TROLLEY; NORMAL HEADROOM	2 ROPE FALLS	D002077-A
NB-N-04	TROLLEY; NORMAL HEADROOM	4 ROPE FALLS	D002082-A
NB-H-02	TROLLEY; DOUBLE GIRDER	HIGH, 2 ROPE FALLS	D002074-A
NB-H-04	TROLLEY; DOUBLE GIRDER	HIGH, 4 ROPE FALLS	D002079-A
NB-M-02	TROLLEY; DOUBLE GIRDER	MEDIUM, 2 ROPE FALLS	D002076-A
NB-M-04	TROLLEY; DOUBLE GIRDER	MEDIUM, 4 ROPE FALLS	D002081-A
NB-V-M1	HOIST; MACHINERY HOIST	1 ROPE FALL	D002083-A
NB-V-M2	HOIST; MACHINERY HOIST	2 ROPE FALLS, OPPOSITE DIRECT	D002084-A
NB-V-M2	HOIST; MACHINERY HOIST	2 ROPE FALLS, SAME DIRECTION	D002085-A

# NOVA

Elektroseilzug  
Electric wire rope hoist

HOIST; FIXED, 2 ROPE FALLS

Hoist type:  
NB02F...



Load (kg)	Class Fem/ISO	Hoisting speed (m/min)			
		Gear+Motor code:			
		F+P1	F+P2	G+P2	H+P3
800	3m/M6	10/1,7	10/1,7	12,5/2,1	16/2,7
1000	2m/M5	10/1,7	10/1,7	12,5/2,1	16/2,7
1250	3m/M6	-	10/1,7	12,5/2,1	16/2,7
1600	2m/M5	-	10/1,7	12,5/2,1	16/2,7
+ weight (kg):		-	10	10	13

HOL (m)	Length code	M2 (mm)	H3 (mm)	T1 (mm)	T3 (mm)	Weight (kg)
12	A	431	90	400	450	125
19	C	561	144	530	580	135

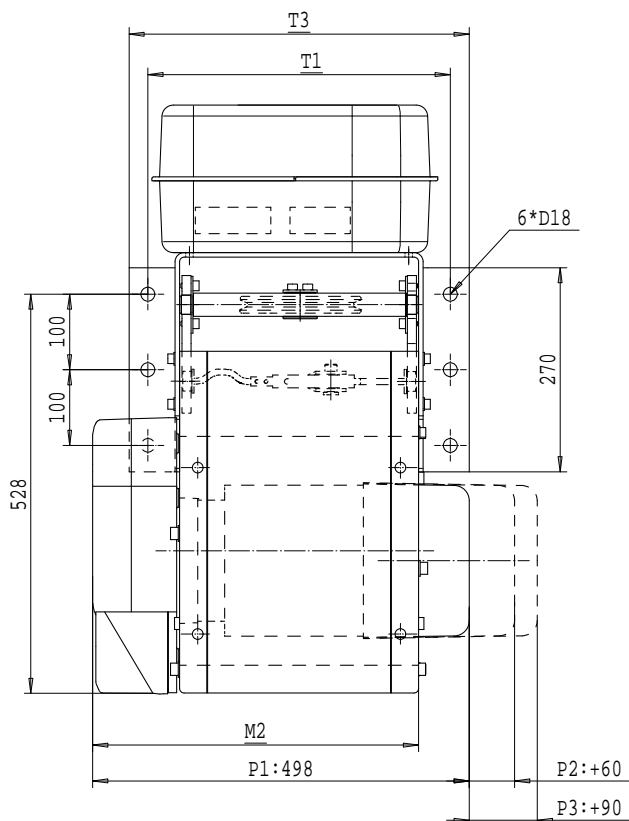
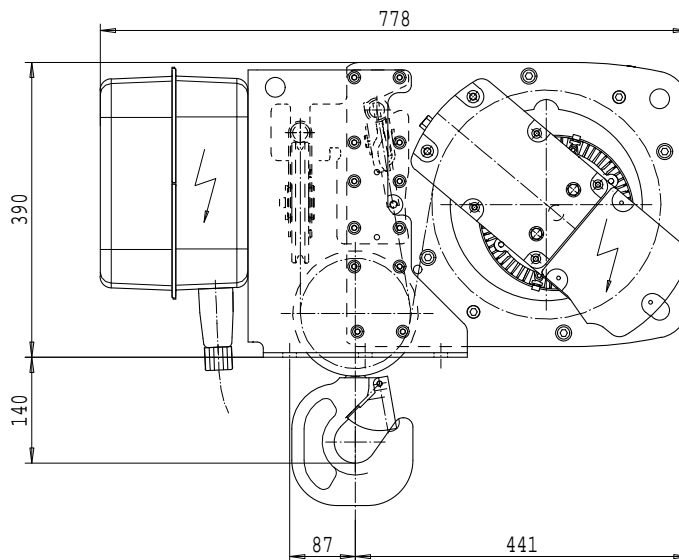
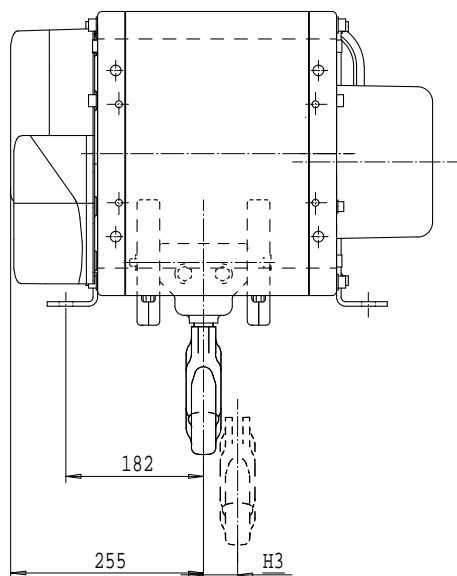
# NOVA

Elektroseilzug  
Electric wire rope hoist

HOIST; FIXED, 4 ROPE FALLS  
Hoist type:  
NB04F...



SI-50Hz



Load (kg)	Class Fem/ISO	Hoisting speed (m/min)			
		Gear+Motor code:			
		F+P1	F+P2	G+P2	H+P3
1600	3m/M6	5/0,8	5/0,8	6,3/1,1	8/1,3
2000	2m/M5	5/0,8	5/0,8	6,3/1,1	8/1,3
2500	3m/M6	-	5/0,8	6,3/1,1	8/1,3
3200	2m/M5	-	5/0,8	6,3/1,1	8/1,3
+ weight (kg):		-	10	10	13

HOL (m)	Length code	M2 (mm)	H3 (mm)	T1 (mm)	T3 (mm)	Weight (kg)
6	A	431	45	400	450	130
9,5	C	561	72	530	580	140

# NOVA

Elektroseilzug  
Electric wire rope hoist

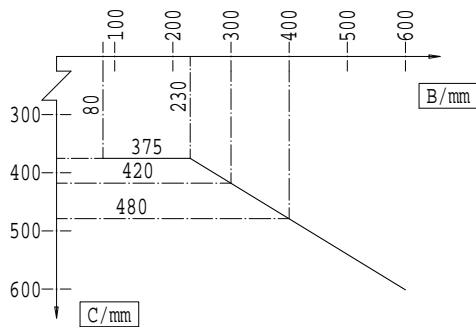
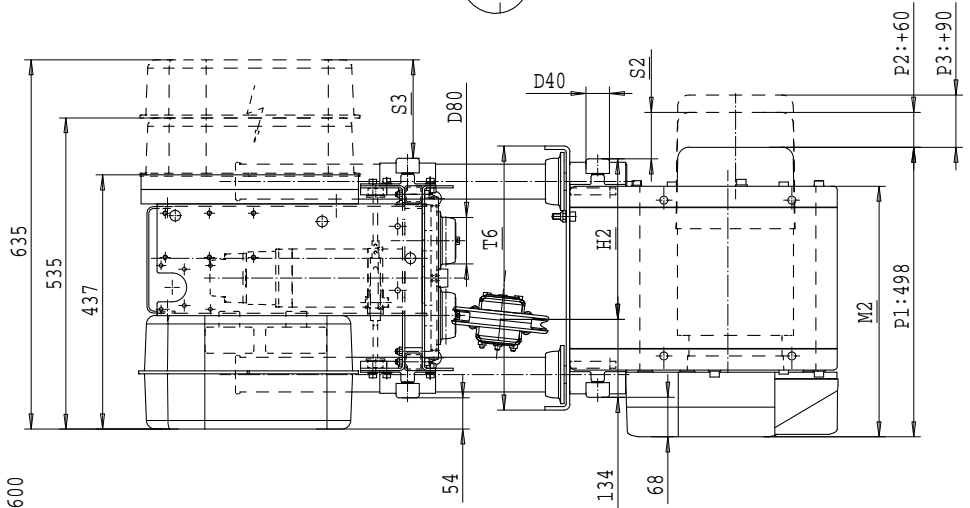
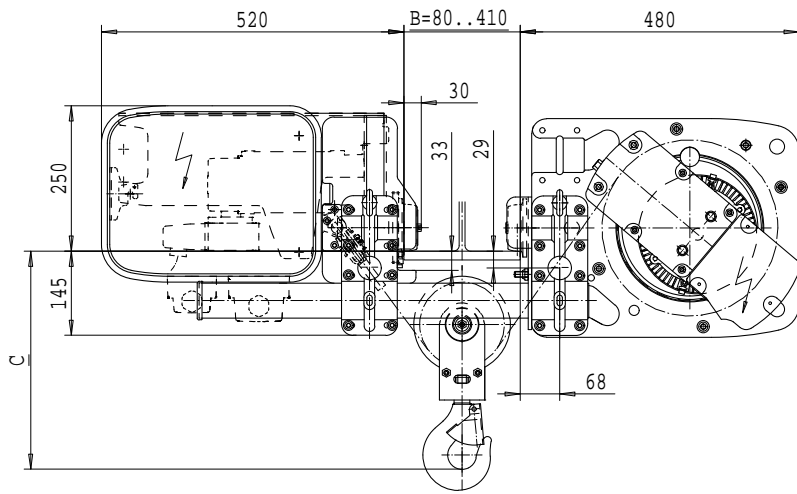
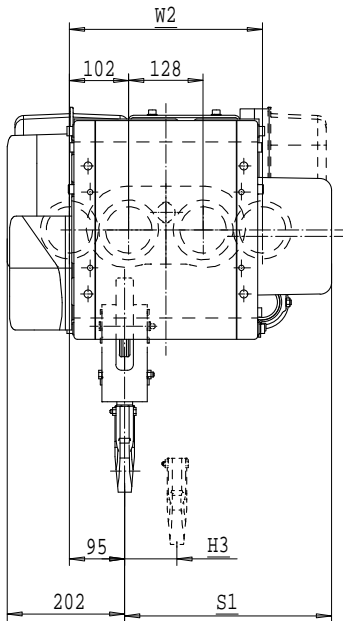


## TROLLEY; LOW HEADROOM, 2 ROPE FALLS

Hoist type:

NB02L...

SI-50Hz



Load (kg)	Class Fem/ISO	Hoisting speed (m/min)			
		Gear+Motor code:			
		F+P1	F+P2	G+P2	H+P3
800	3m/M6	10/1,7	10/1,7	12,5/2,1	16/2,7
1000	2m/M5	10/1,7	10/1,7	12,5/2,1	16/2,7
1250	3m/M6	-	10/1,7	12,5/2,1	16/2,7
1600	2m/M5	-	10/1,7	12,5/2,1	16/2,7
+weight (kg):		-	10	10	13

HOL (m)	Length code	M2 (mm)	H2 (mm)	H3 (mm)	S1(mm)			S2(mm)			S3 (mm)	T6 (mm)	W2 (mm)	Weight (kg)
					P1	P2	P3	P1	P2	P3				
12	A	431	276	90	298	356	386	22	80	110	170	454	332	175
19	C	561	406	144	359	359	386	83	83	110	66	584	462	195

Note:

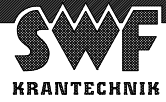
S1,S2 are the dimensions to the outermost part in each case, without option cubicle

# NOVA

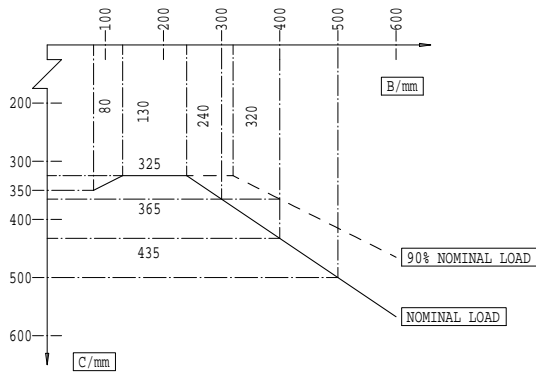
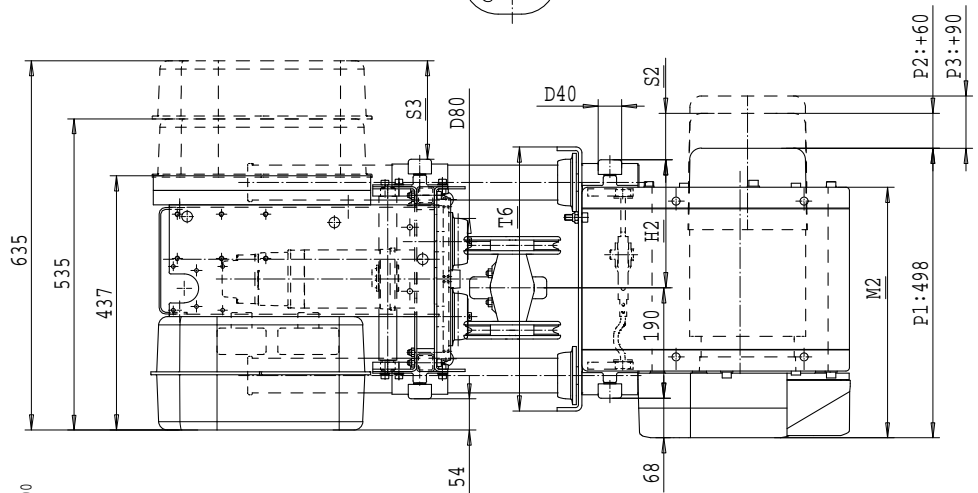
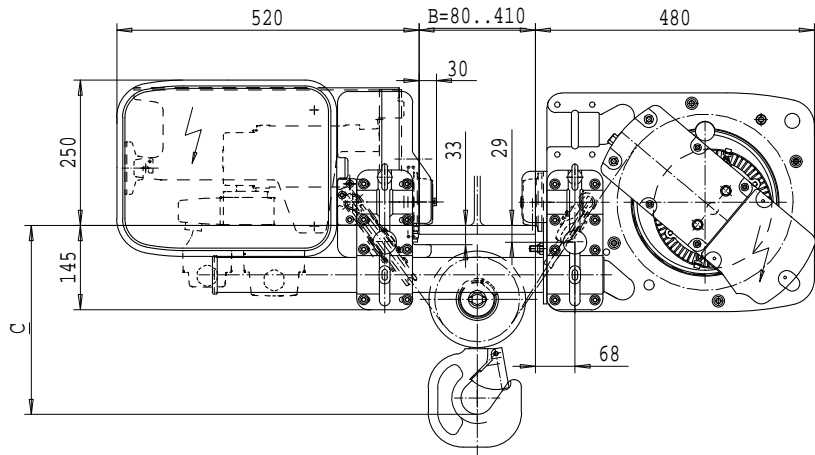
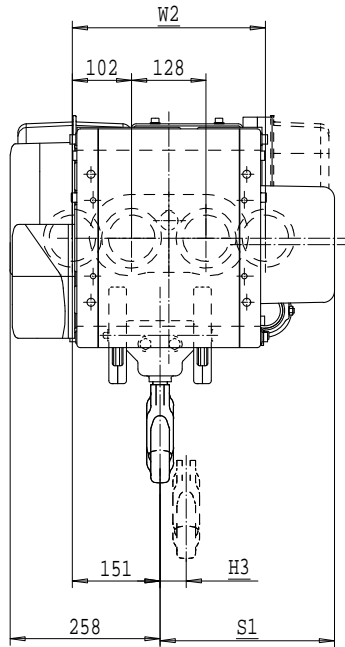
Elektroseilzug  
Electric wire rope hoist

## TROLLEY; LOW HEADROOM, 4 ROPE FALLS

Hoist type:  
NB04L...



SI-50Hz



Load (kg)	Class Fem/ISO	Hoisting speed (m/min) Gear+Motor code:			
		F+P1	F+P2	G+P2	H+P3
1600	3m/M6	5/0,8	5/0,8	6,3/1,1	8/1,3
2000	2m/M5	5/0,8	5/0,8	6,3/1,1	8/1,3
2500	3m/M6	-	5/0,8	6,3/1,1	8/1,3
3200	2m/M5	-	5/0,8	6,3/1,1	8/1,3
+ weight (kg):		-	10	10	13

HOL (m)	Length code	M2 (mm)	H2 (mm)	H3 (mm)	S1 (mm)			S2 (mm)			S3 (mm)	T6 (mm)	W2 (mm)	Weight (kg)
					P1	P2	P3	P1	P2	P3				
6	A	431	220	45	242	300	330	22	80	110	170	454	332	180
9,5	C	561	350	72	303	303	330	83	83	110	66	584	462	200

Note:

S1,S2 are the dimensions to the outermost part in each case, without option cubicle

# NOVA Elektroseilzug

## Electric wire rope hoist

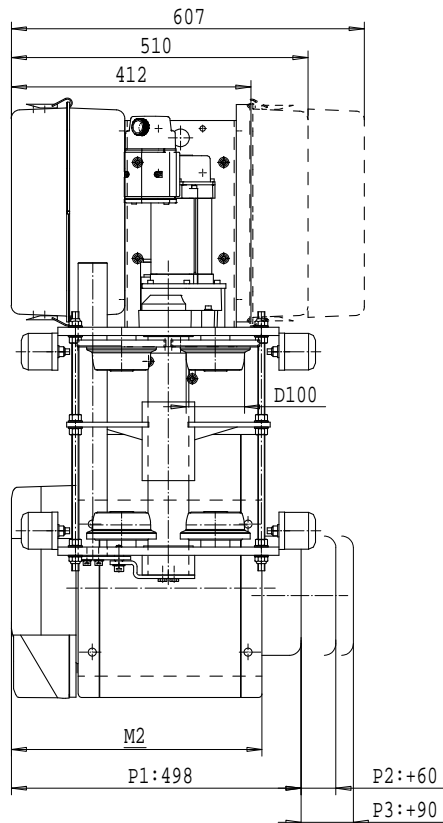
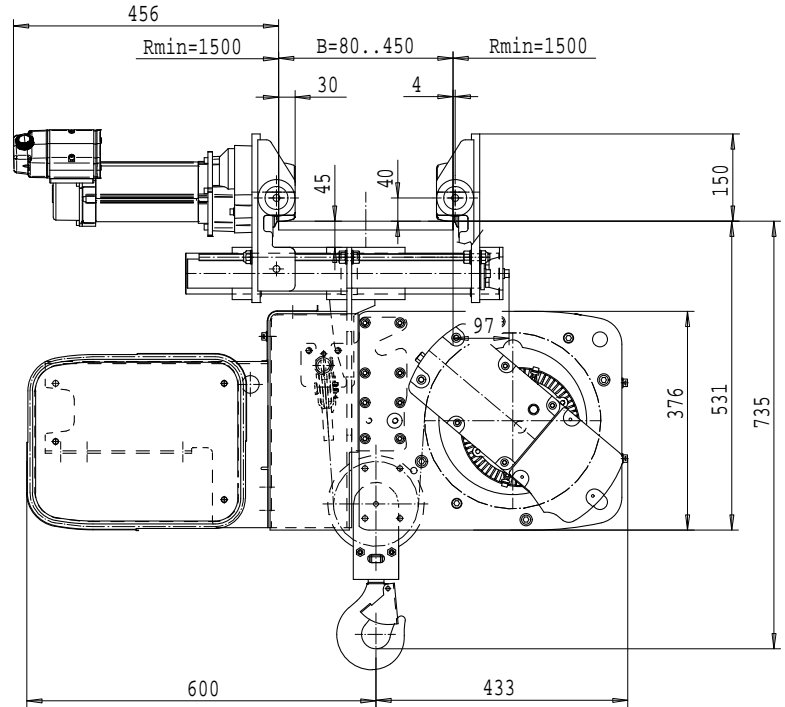
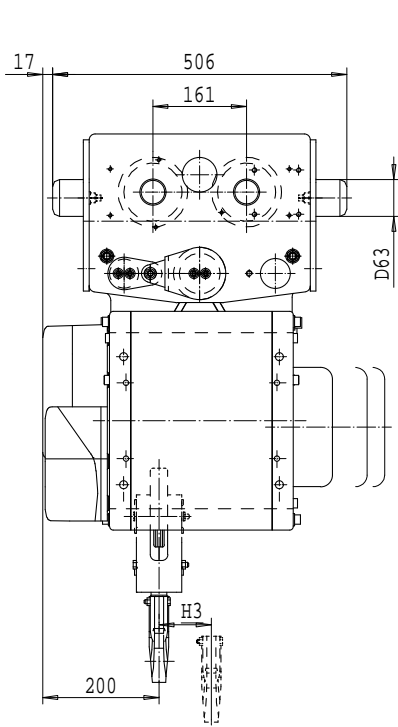
TROLLEY; NORMAL HEADROOM, 2 ROPE FALLS

Hoist type:

NB02N...



SI-50Hz



Load (kg)	Class Fem/ISO	Hoisting speed (m/min)			
		Gear+Motor code:			
		F+P1	F+P2	G+P2	H+P3
800	3m/M6	10/1,7	10/1,7	12,5/2,1	16/2,7
1000	2m/M5	10/1,7	10/1,7	12,5/2,1	16/2,7
1250	3m/M6	-	10/1,7	12,5/2,1	16/2,7
1600	2m/M5	-	10/1,7	12,5/2,1	16/2,7
+ weight (kg):		-	10	10	13

HOL (m)	Length code	M2 (mm)	H3 (mm)	Weight (kg)
12	A	431	90	250
19	C	561	144	270

# NOVA Elektroseilzug

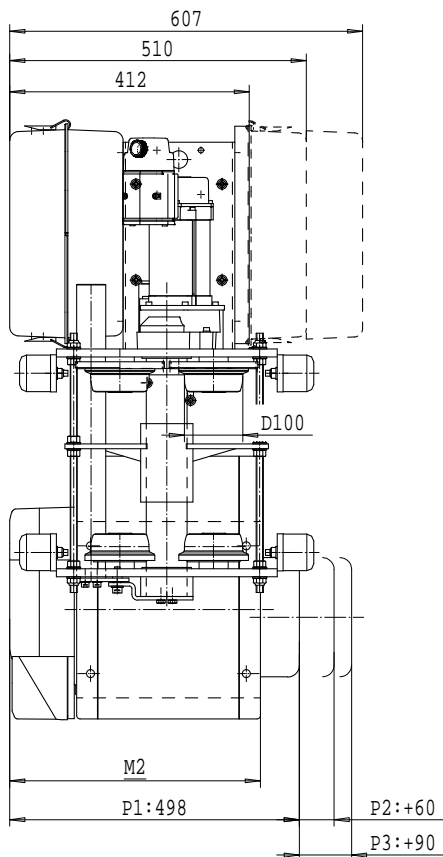
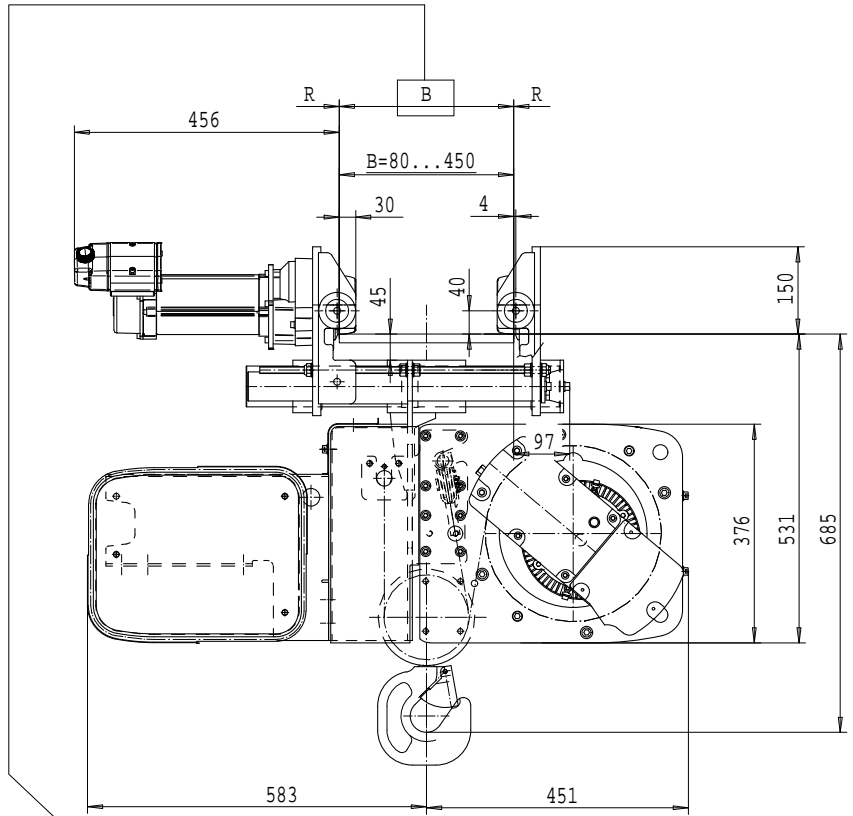
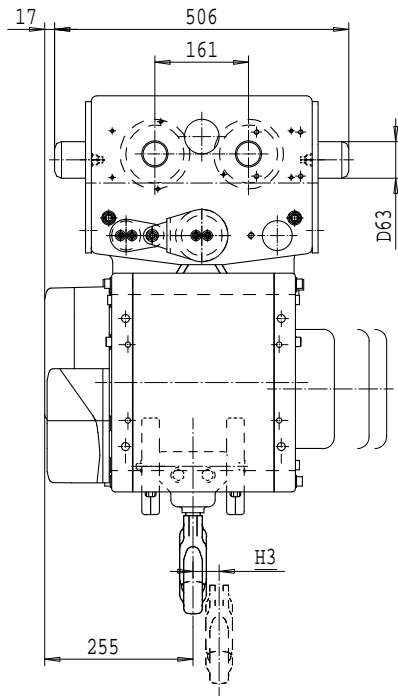
## Electric wire rope hoist

TROLLEY; NORMAL HEADROOM, 4 ROPE FALLS

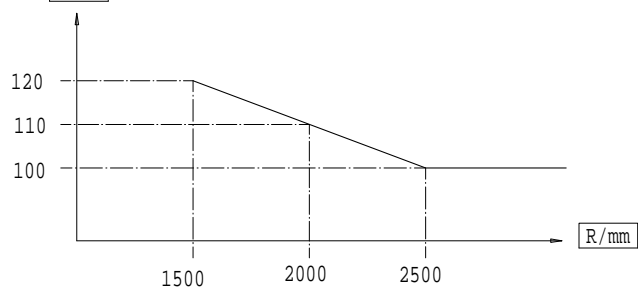
Hoist type:  
NB04N...



SI-50Hz



B/mm



Load (kg)	Class Fem/ISO	Hoisting speed (m/min)			
		Gear+Motor code:			
		F+P1	F+P2	G+P2	H+P3
1600	3m/M6	5/0,8	5/0,8	6,3/1,1	8/1,3
2000	2m/M5	5/0,8	5/0,8	6,3/1,1	8/1,3
2500	3m/M6	-	5/0,8	6,3/1,1	8/1,3
3200	2m/M5	-	5/0,8	6,3/1,1	8/1,3
+ weight (kg):		-	10	10	13

HOL (m)	Length code	M2 (mm)	H3 (mm)	Weight (kg)
6	A	431	45	255
9,5	C	561	72	275



# NOVA Elektroseilzug

## Electric wire rope hoist

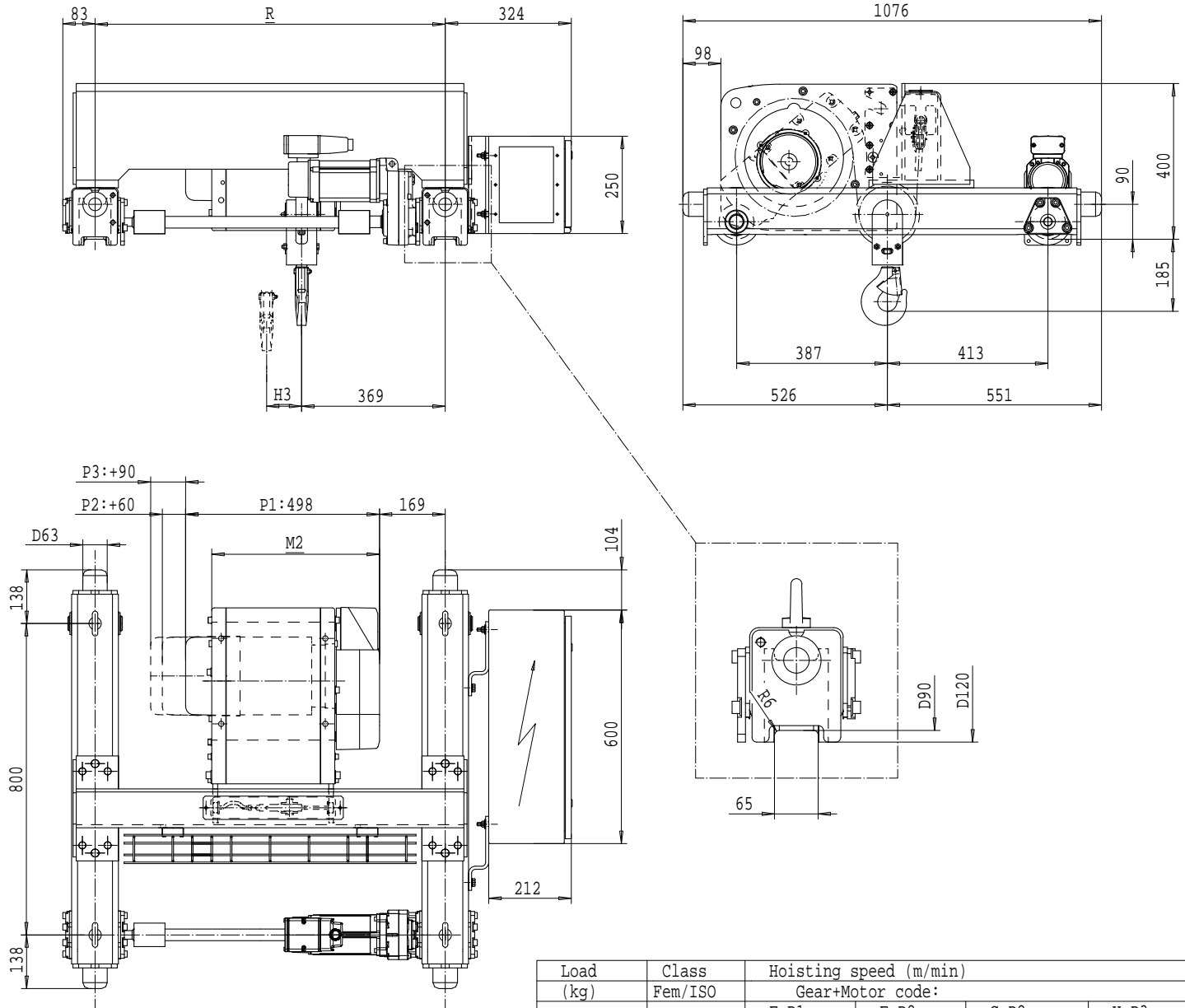
### TROLLEY; DOUBLE GIRDER, HIGH, 2 ROPE FALLS

Hoist type:

NB02H...



SI-50Hz



Load (kg)	Class Fem/ISO	Hoisting speed (m/min)			
		Gear+Motor code:			
		F+P1	F+P2	G+P2	H+P3
800	3m/M6	10/1,7	10/1,7	12,5/2,1	16/2,7
1000	2m/M5	10/1,7	10/1,7	12,5/2,1	16/2,7
1250	3m/M6	-	10/1,7	12,5/2,1	16/2,7
1600	2m/M5	-	10/1,7	12,5/2,1	16/2,7
+ weight (kg):		-	10	10	13

HOL (m)	Length code	M2 (mm)	H3 (mm)	min R (mm)	Weight (kg)
12	A	431	90	900	210
19	C	561	144	900	220

Note:

Min R with second brake

Standard rail gauges: 900, 1200, 1400, 1700 and 2000

# NOVA Elektroseilzug

## Electric wire rope hoist

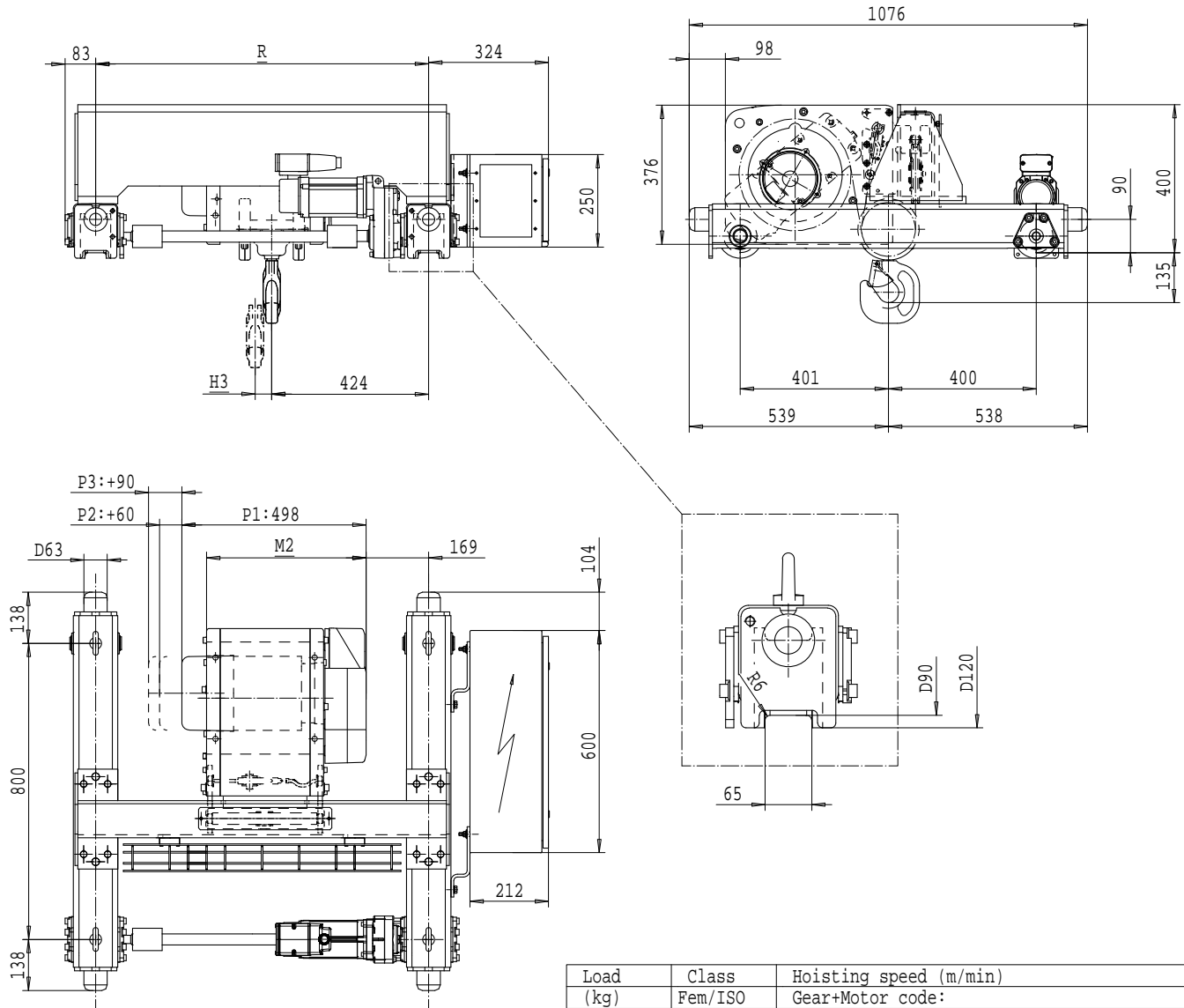
TROLLEY; DOUBLE GIRDER, HIGH, 4 ROPE FALLS

Hoist type:

NB04H...



SI-50Hz



Load (kg)	Class Fem/ISO	Hoisting speed (m/min)			
		Gear+Motor code:			
		F+P1	F+P2	G+P2	H+P3
1600	3m/M6	5/0,8	5/0,8	6,3/1,1	8/1,3
2000	2m/M5	5/0,8	5/0,8	6,3/1,1	8/1,3
2500	3m/M6	-	5/0,8	6,3/1,1	8/1,3
3200	2m/M5	-	5/0,8	6,3/1,1	8/1,3
+ weight (kg):		-	10	10	13

HOL (m)	Length code	M2 (mm)	H3 (mm)	min R (mm)	Weight (kg)
6	A	431	45	900	210
9,5	C	561	72	900	220

Note:

Min R with second brake

Standard rail gauges:900,1200,1400,1700 and 2000

# NOVA Elektroseilzug

## Electric wire rope hoist

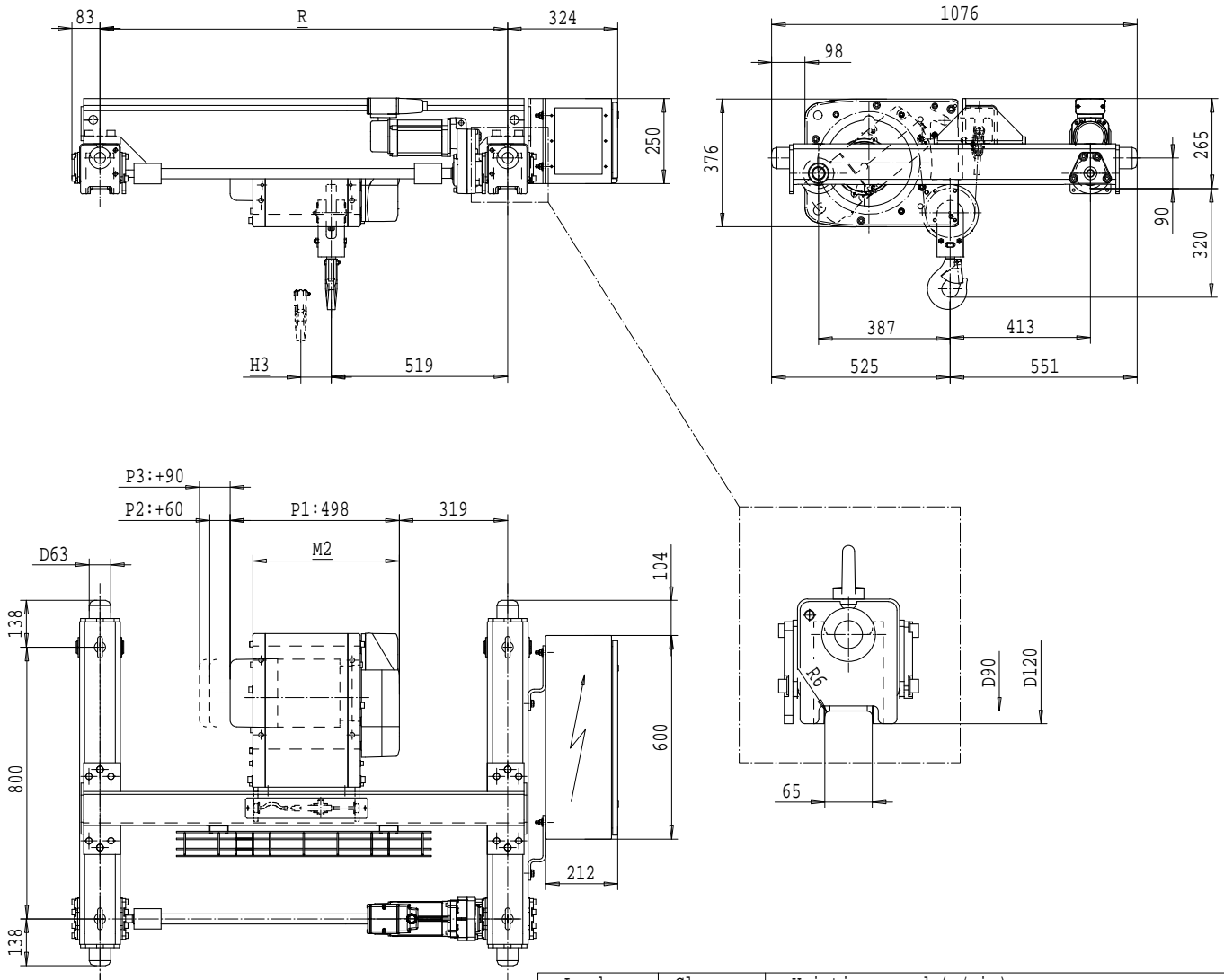
### TROLLEY; DOUBLE GIRDER, MEDIUM, 2 ROPE FALLS

Hoist type:

NB02M...



SI-50Hz



Load (kg)	Class Fem/ISO	Hoisting speed (m/min)			
		Gear+Motor code:			
		F+P1	F+P2	G+P2	H+P3
800	3m/M6	10/1,7	10/1,7	12,5/2,1	16/2,7
1000	2m/M5	10/1,7	10/1,7	12,5/2,1	16/2,7
1250	3m/M6	-	10/1,7	12,5/2,1	16/2,7
1600	2m/M5	-	10/1,7	12,5/2,1	16/2,7
+ weight (kg):		-	10	10	13

HOL (m)	Length code	M2 (mm)	H3 (mm)	min R (mm)	Weight (kg)
12	A	431	90	1200	220
19	C	561	144	1200	230

Note:

Min R with second brake

Standard rail gauges:1200,1400,1700 and 2000

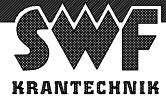
# NOVA Elektroseilzug

## Electric wire rope hoist

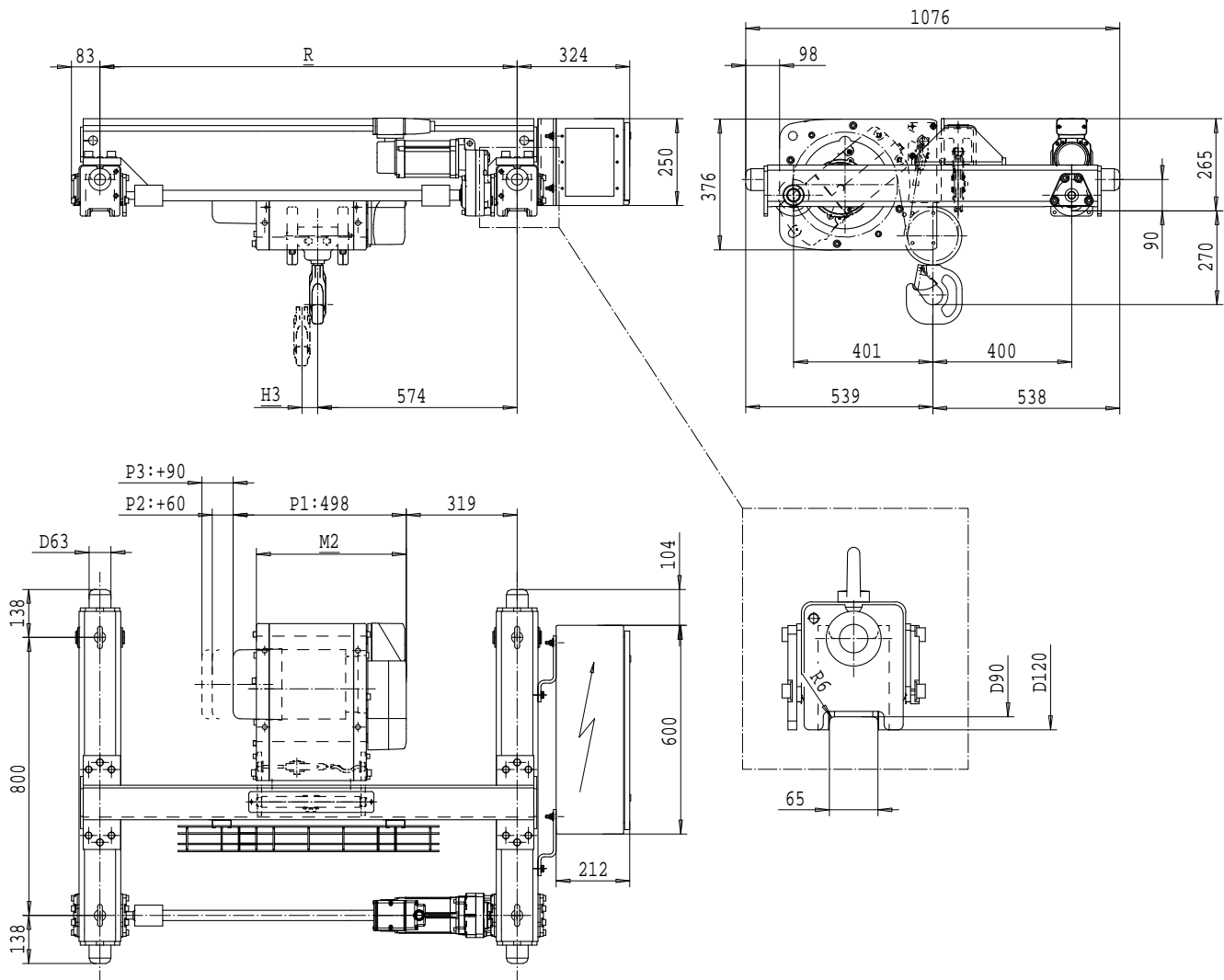
TROLLEY; DOUBLE GIRDER, MEDIUM, 4 ROPE FALLS

Hoist type:

NB04M...



SI-50Hz



Load (kg)	Class Fem/ISO	Hoisting speed (m/min)			
		Gear+Motor code:			
		F+P1	F+P2	G+P2	H+P3
1600	3m/M6	5/0,8	5/0,8	6,3/1,1	8/1,3
2000	2m/M5	5/0,8	5/0,8	6,3/1,1	8/1,3
2500	3m/M6	-	5/0,8	6,3/1,1	8/1,3
3200	2m/M5	-	5/0,8	6,3/1,1	8/1,3
+ weight (kg):		-	10	10	13

HOL (m)	Length code	M2 (mm)	H3 (mm)	min R (mm)	Weight (kg)
6	A	431	45	1200	225
9,5	C	561	72	1200	235

Note:

Min R with second brake

Standard rail gauges:1200,1400,1700 and 2000

# NOVA

Elektroseilzug  
Electric wire rope hoist

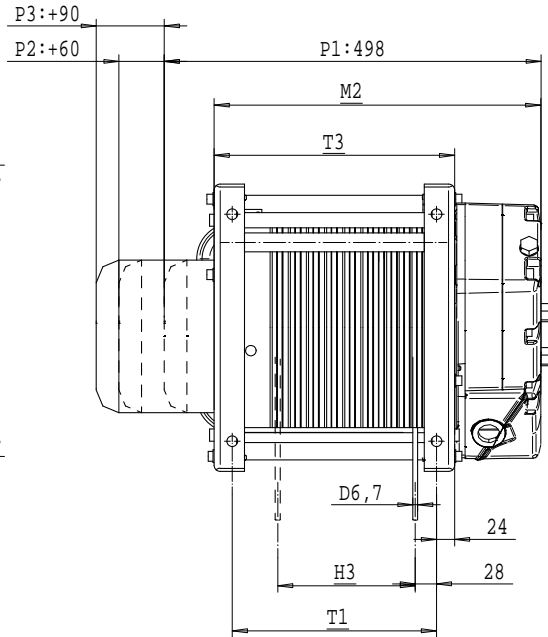
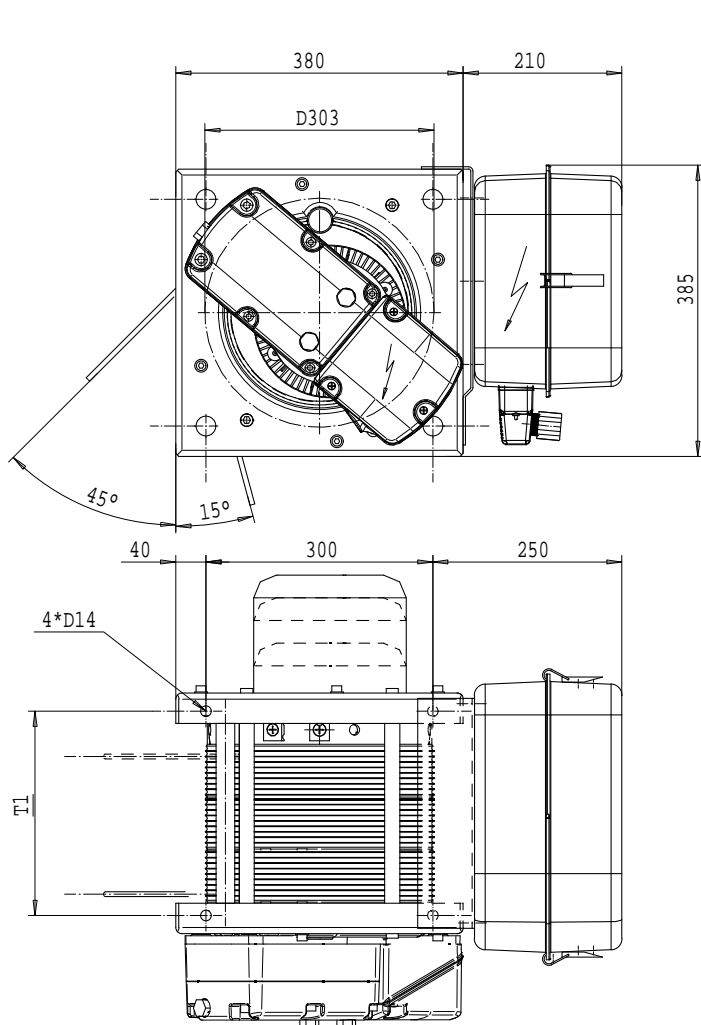
HOIST; MACHINERY HOIST, 1 ROPE FALL

Hoist type:

NBM1V...

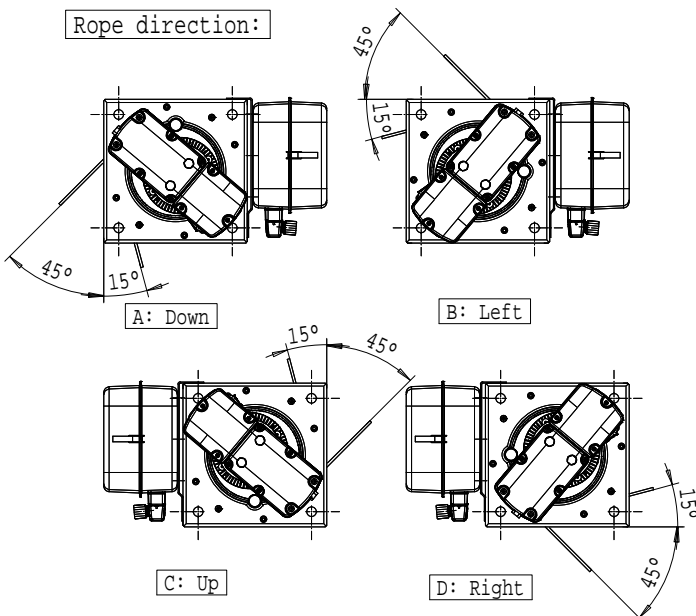


SI-50Hz



Note!  
Max. rope angle from  
drum groove +/-4°

Rope direction:



Load (kg)	Class Fem/ISO	Hoisting speed (m/min)			
		Gear+Motor code:			
		F+P1	F+P2	G+P2	H+P3
400	3m/M6	20/3,3	20/3,3	25/4,2	32/5,3
500	2m/M5	20/3,3	20/3,3	25/4,2	32/5,3
600	3m/M6	-	20/3,3	25/4,2	32/5,3
800	2m/M5	-	20/3,3	25/4,2	32/5,3
+ weight (kg):		-	10	10	13

HOL (m)	Length code	M2 (mm)	H3 (mm)	T1 (mm)	T3 (mm)	Weight (kg)
24	A	431	182	270	318	95
38	C	561	288	400	448	105

Drum groove var. 1



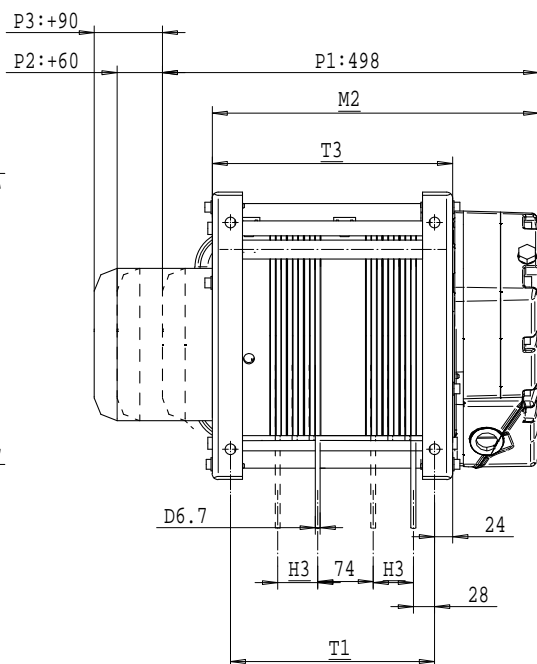
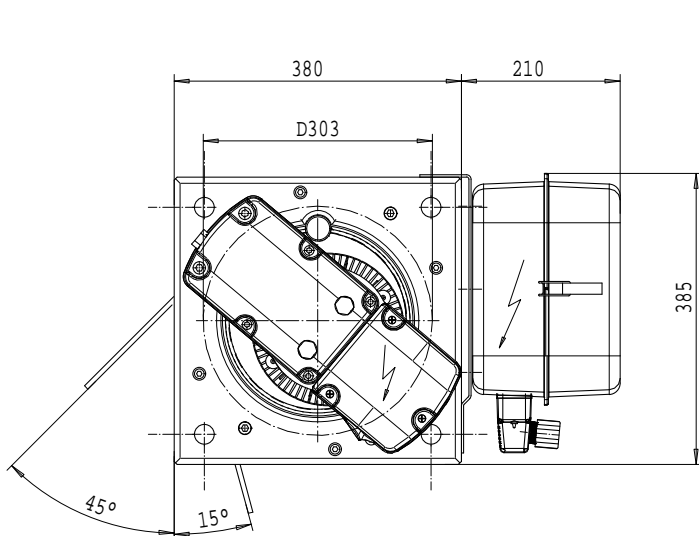
# NOVA

Elektroseilzug  
Electric wire rope hoist  
HOIST; MACHINERY HOIST, 2 ROPE FALLS, SAME DIRECTION

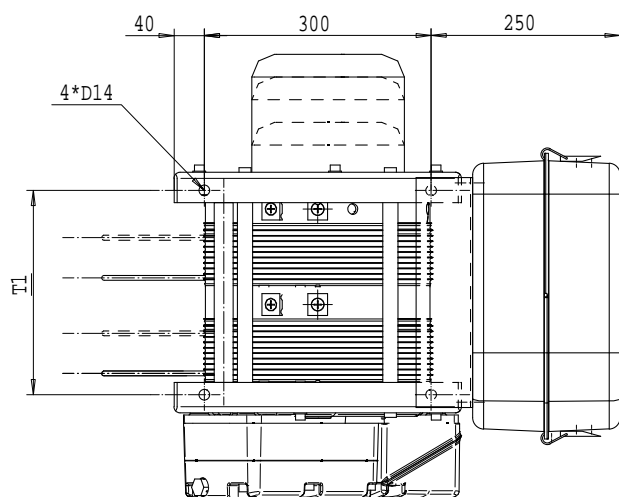


SI-50Hz

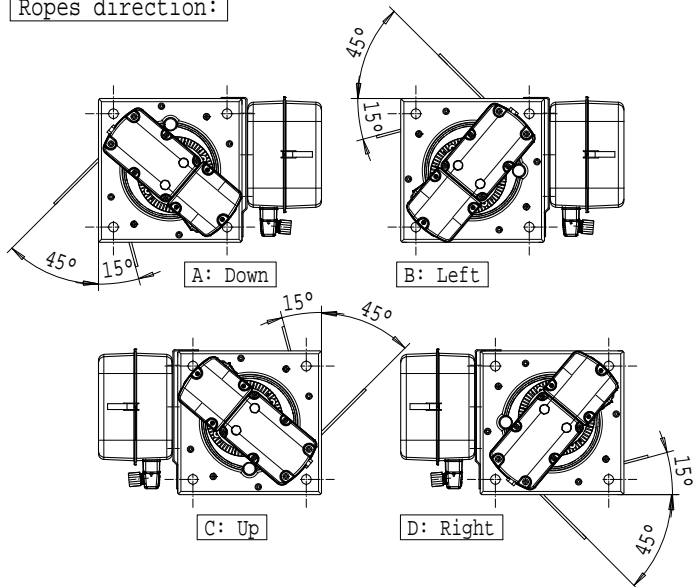
Hoist type:  
NBM2V...



Note!  
Max. rope angle from  
drum groove +/-4°



Ropes direction:



Note! Both ropes within the allowed rope angle!

Load (kg)	Class Fem/ISO	Hoisting speed (m/min)			
		Gear+Motor code:			
		F+P1	F+P2	G+P2	H+P3
400	3m/M6	20/3,3	20/3,3	25/4,2	32/5,3
500	2m/M5	20/3,3	20/3,3	25/4,2	32/5,3
600	3m/M6	-	20/3,3	25/4,2	32/5,3
800	2m/M5	-	20/3,3	25/4,2	32/5,3
+ weight (kg):		-	10	10	13

HOL (m)	Length code	M2 (mm)	H3 (mm)	T1 (mm)	T3 (mm)	Weight (kg)
7	A	431	53	270	318	95
15	C	561	118	400	448	105

Drum groove var. 4