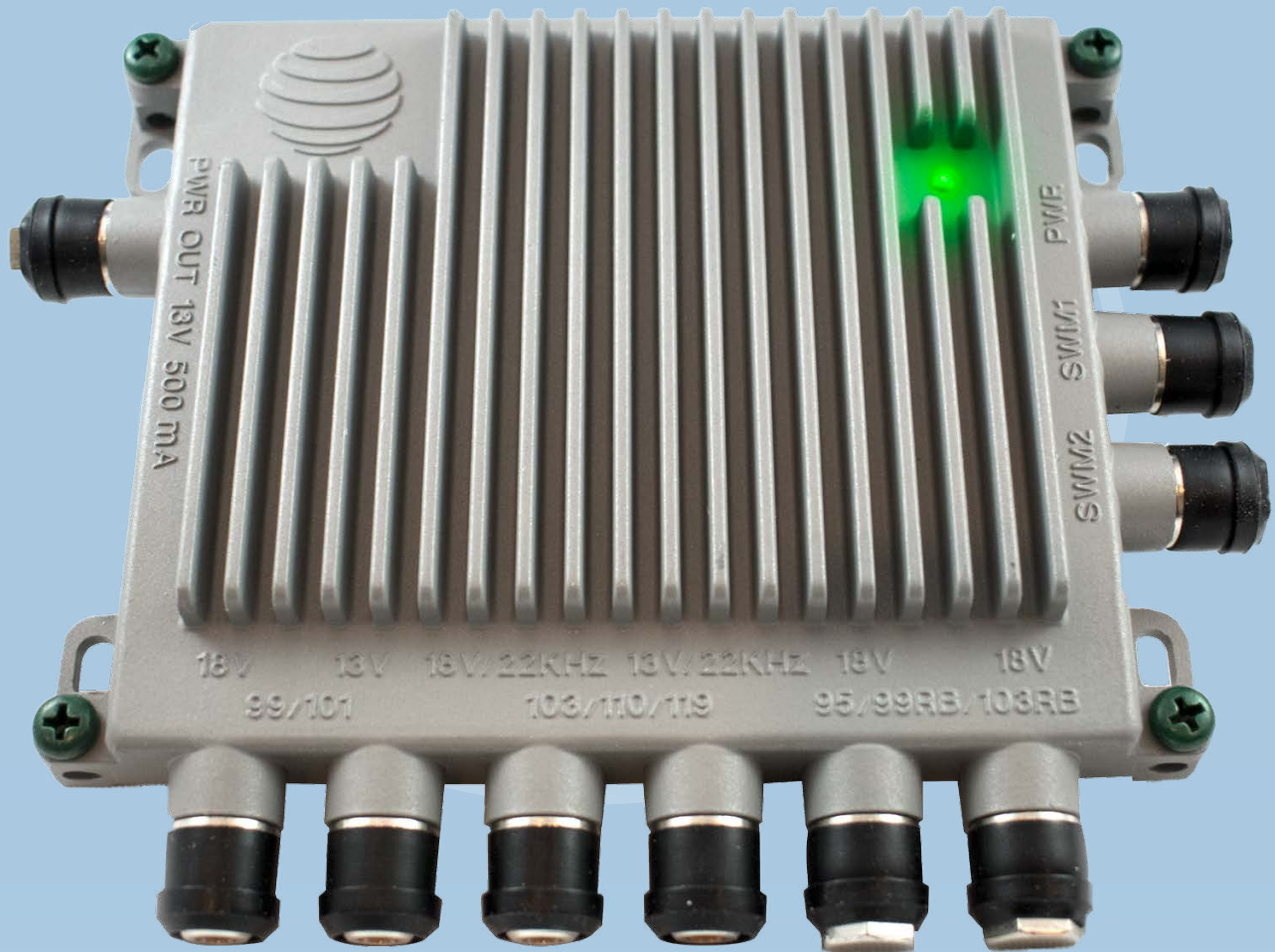
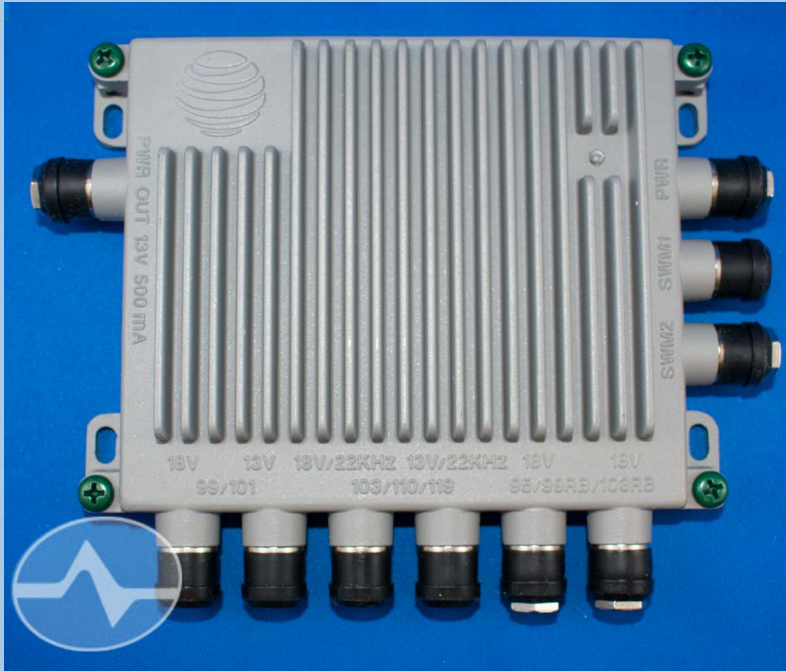


SOLID SIGNAL'S HANDS ON REVIEW

DIRECTV DSWM-30 MULTISWITCH



DIRECTV DSWM-30 MULTISWITCH



DIRECTV's last external multiswitch, the SWM-16, debuted in 2010. That's a lifetime ago. Since then, DIRECTV and AT&T engineers have concentrated on developing multiswitch technology built right into the dish. New LNBs like the ["3D2"](#) and [Reverse Band 3](#) provide up to 21 tuner capacity depending on the installation, and with that kind of power running through a single line, most homes don't need an external switch. However, commercial installations and people with the international dish still need an external multiswitch.

The DSWM30 was developed with commercial installations in mind, but it can be used as a replacement multiswitch for the SWM-8, SWM-16,

and SWM-32. It uses less power, generates less heat, and costs less than previous generation multiswitches, and provides new capabilities including the ability to power external devices.

DSWM30 at a Glance

A powerful multiswitch not only replaces all previous-generation switches, but adds additional capacity for future expansion. It is the only external multiswitch that will provide full support for the Genie 2 DVR or any 4K installation where an international dish is required.

Unlike previous-generation SWMs, the DSWM30 does not allow MoCA (whole-home) communication across its ports. It is also limited to 13 tuners per leg if pre-Genie receivers or DVRs are present on that leg.

Key features:

- **30 tuner support**
- **Supports 4K Legacy LNB and WorldDIRECT Dish**
- **Supports up to 6 apartments with Genie DVRs**
- **Powers external amplifier and polarity locker**
- **Replaces SWM-8, SWM-16 and SWM-32**
- **Power port for accessories**
- **Power indicator light**
- **-26dBm nominal output**

DSWM30 IN DETAIL



The DSWM30 looks very similar to the SWM-8 but is slightly wider. It will fit in a space 7" x 5.5" but as much space as possible should be given for ventilation. Although the DSWM30 runs cooler than the SWM-16, it is still capable of overheating under the right circumstances.

The first things you notice compared to the SWM-8 are the AT&T branding and the power indicator LED, which glows green if the SWM is being properly powered. A power light has been requested by installers for years, and finally, it becomes possible to diagnose a power problem without randomly disconnecting SWMs.

The fifth and sixth ports of the DSWM30 are not labeled "Flex 1" and "Flex 2" as seen in previous SWMs, but now indicate that they are for use for the reverse band cables from a 4K Legacy dish or for the input from the WorldDIRECT dish.

There is a dedicated power port, or the SWM can be powered through the SWM1 port. In either case, the [PI-29Z power inserter](#) is used for power. Because of the increased efficiency of this multiswitch, there is sufficient power for an accessory port for any device that can run on 6.5 watts, and enough power flows up the lines to the dish to provide power to [Sonora's SD-PI6Sx Polarity Locker](#), further simplifying installations.

This multiswitch will work with any legacy (non-SWM) LNB but is specifically designed for the new legacy reverse band LNBs due out in the third quarter of 2017. It will also allow for a WorldDIRECT dish to be diplexed in using the WD-DIPLEXER-09 which is also due in the third quarter of 2017.

INSTALLING THE DSWM30

The DSWM-30 multiswitch is used differently for different installation needs. For new residential installations, the SWM-enabled LNB is still a better choice because it installs more easily and allows more devices on the same run. However, commercial and institutional installations must use external multiswitches to meet DIRECTV standards. Since the SWM-8, SWM-16, and SWM-32 have been discontinued (along with the hotel-only DSWM13), the DSWM30 will be the default (and only) multiswitch in use in new commercial installations.

CHOOSING THE RIGHT LNB

The DSWM30 will work with any Slimline LNB. It will not support the 18" round or earlier LNB. If an existing installation has an older dish, the dish should be swapped out at the same time as the LNB. A total of six coax lines from the dish should always be run, for futureproofing. Future 4K service will require the Legacy Reverse Band 5 LNB which is expected in 2017. When running six lines, always make sure the cables are labeled properly even if a polarity locker isn't used, because the Legacy Reverse Band 5 LNB will require that lines 5 and 6 be properly connected in order.

REPLACING AN EXISTING MULTISWITCH

The DSWM30 is a plug-and-play replacement for earlier multiswitches in most cases. However, since the SWM output legs do not communicate with each other for whole-home, as many devices as possible should be placed on the same SWM leg. However, due to a limitation of pre-Genie receivers, a maximum of 13 tuners is allowed on a SWM leg with a pre-Genie receiver or DVR. The DSWM30 is compatible with H21 or later receivers and HR20 or later DVRs. It is not compatible with D12 receivers and does not support legacy receivers.

MULTI-DWELLING UNIT (APARTMENT) USE

Although the DSWM30 has fewer tuners than the SWM-32 or D2Lite system, it actually can support more apartments when used with Genies. Because the Genie DVR required 5 tuners, an entire 8-tuner leg of a SWM-32 is used to support an apartment with a Genie install. As a result, each SWM-32 or D2Lite can support only four apartments. Because the DSWM30 has 15-tuner legs instead of the 8-tuner legs of older multiswitches, the DSWM30 can support six apartments with Genie DVRs or older legacy equipment, or four apartments with Genie 2 systems.

BEWARE THE "DSWM30H"

There is a second version of the DSWM30 that is intended only for hotel use or any institutional use where RG59 cable or loop-through wiring is used. This SWM looks just like the regular DSWM30 but has red weather boots instead of black ones. The output level is approximately 30dB (1,000 times) higher than a standard DSWM30 and this red-booted multiswitch can burn out receivers in an instant if used with a regular residential setup.

ALIGNING A DISH USING THE DSWM30

The [DIRECTV AIM Meter](#) is the only meter capable of aligning a dish using the outputs of a DSWM30. If you have another meter such as a SATLOOKLITE or Birdog, you should be able to align the dish by connecting the meter straight to the LNB and then connecting the multiswitch when the alignment is done. The AIM meter is the only meter capable of aligning the reverse band output of the Legacy Reverse Band 5 LNB.

BASIC INSTALLATION: DSWM-30

Use the smallest splitter possible.

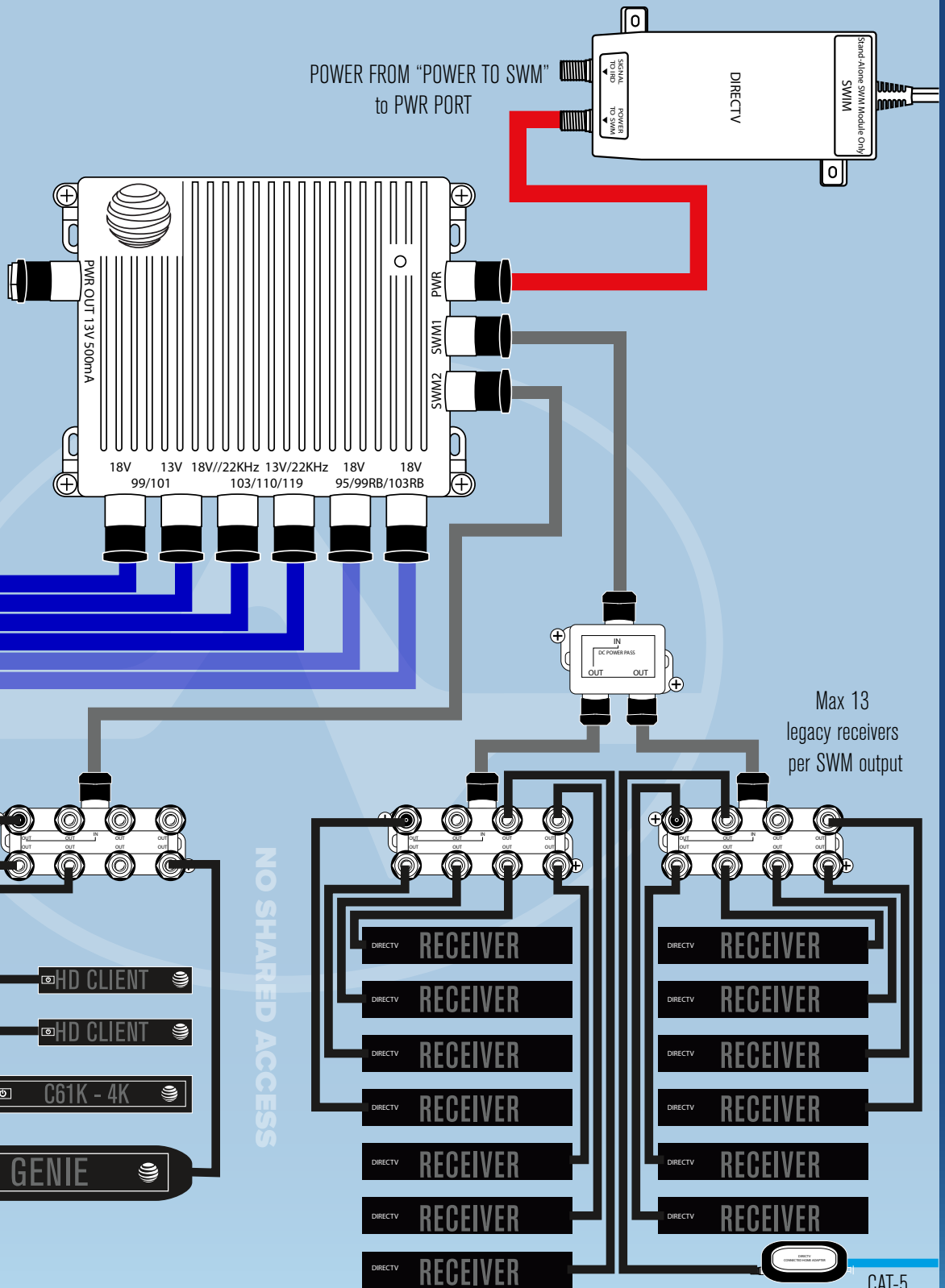
Terminate all unused ports

Power Supplies not shown.

Devices on different SWM outputs cannot share programming.

POWER FROM "POWER TO SWM" to PWR PORT

LINES FROM DISH
(Lines 5&6 from 4K LNB if necessary)



Max 13 legacy receivers per SWM output

DO NOT
Connect Genie DVR to red port on splitter.

NO SHARED ACCESS

CAT-5 TO ROUTER

CAT-5 TO ROUTER



MAY, 2017

ADVANCED INSTALLATION: DSWM-30

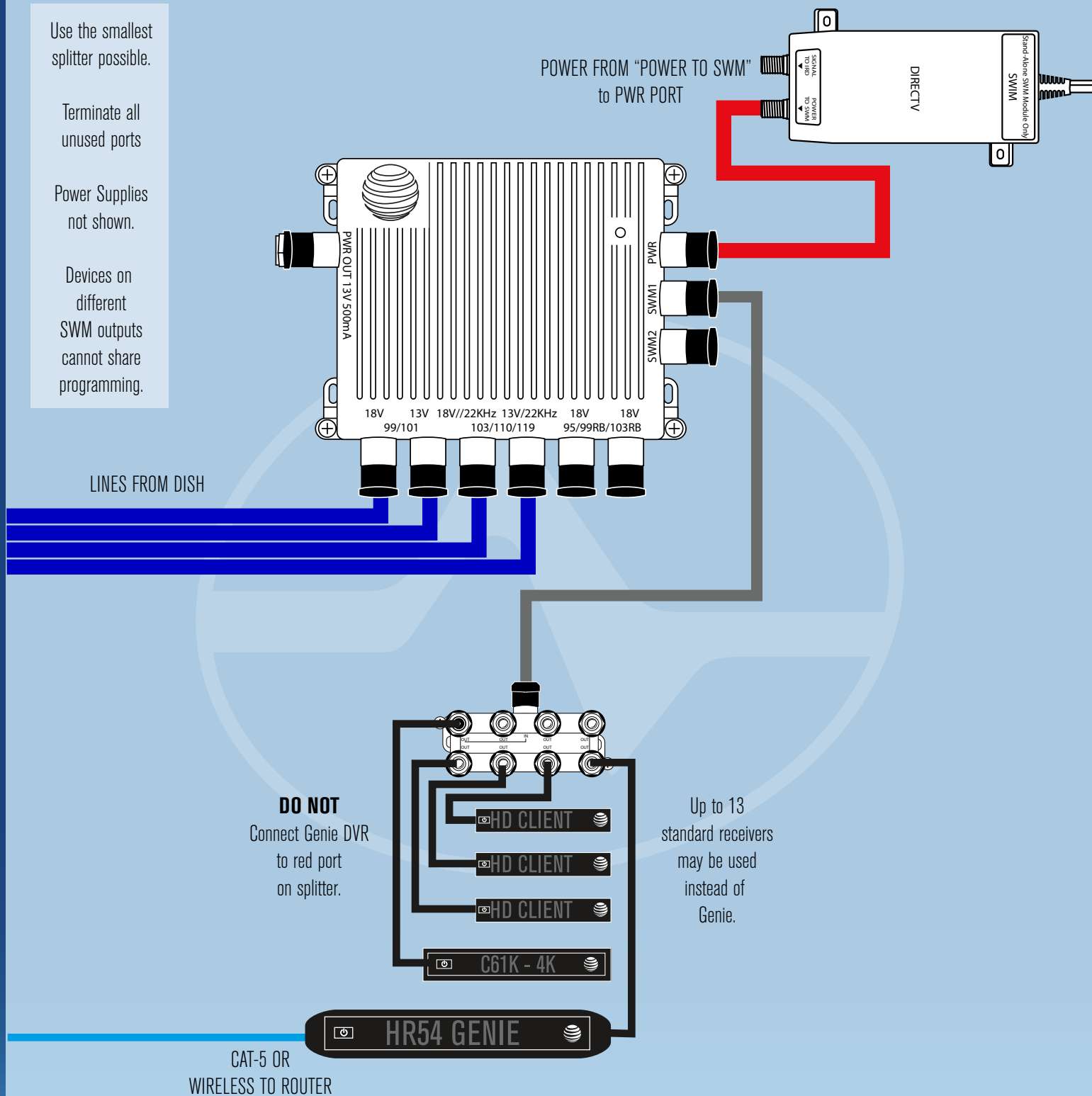
REPLACING EXISTING SWM-8 OR SWM-16 MULTISWITCH: 13 DEVICES OR FEWER

Use the smallest splitter possible.

Terminate all unused ports

Power Supplies not shown.

Devices on different SWM outputs cannot share programming.



MAY, 2017

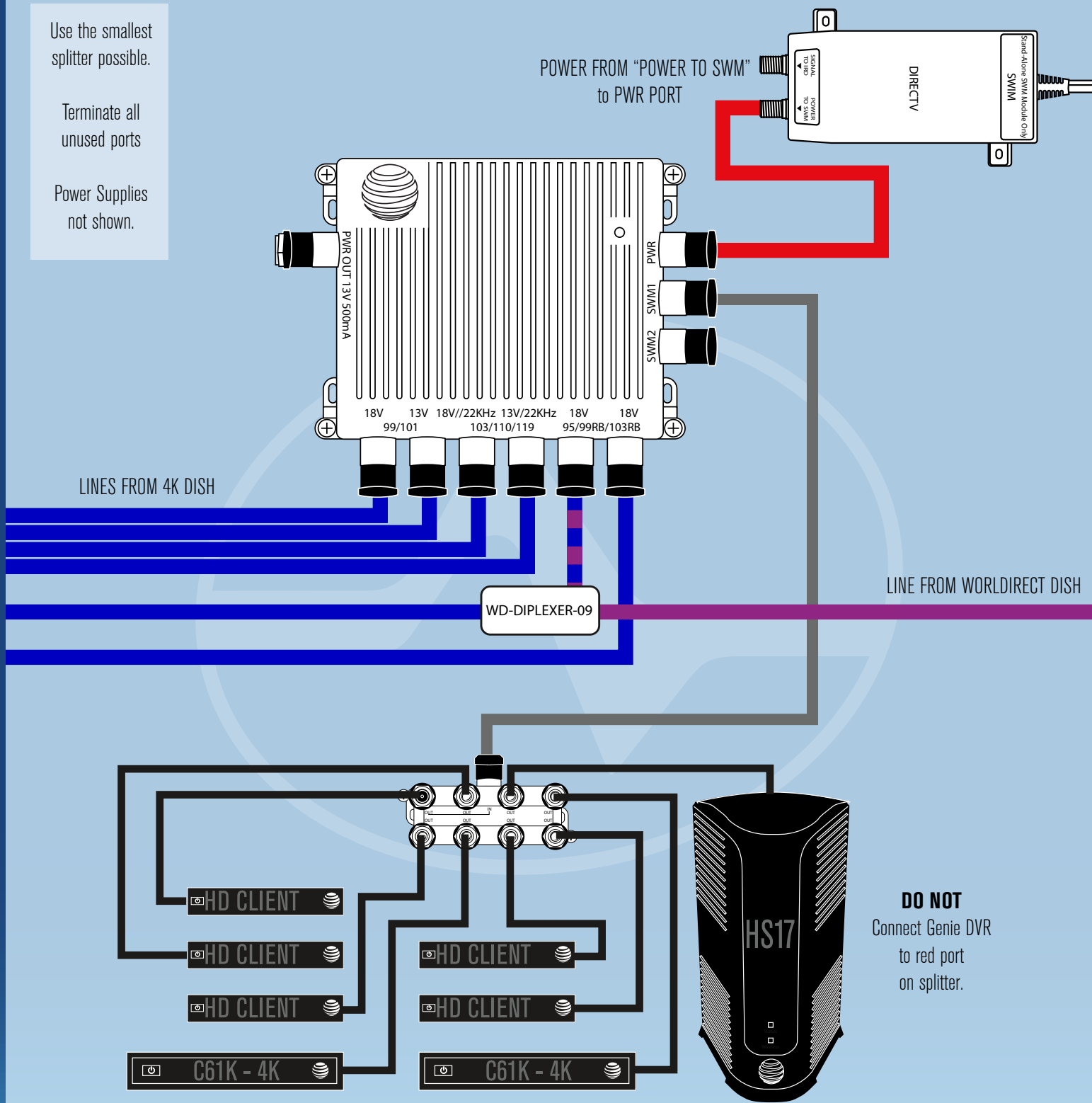
ADVANCED INSTALLATION: DSWM-30

INSTALLATION OF GENIE 2 WITH INTERNATIONAL DISH

Use the smallest splitter possible.

Terminate all unused ports

Power Supplies not shown.



MAY, 2017

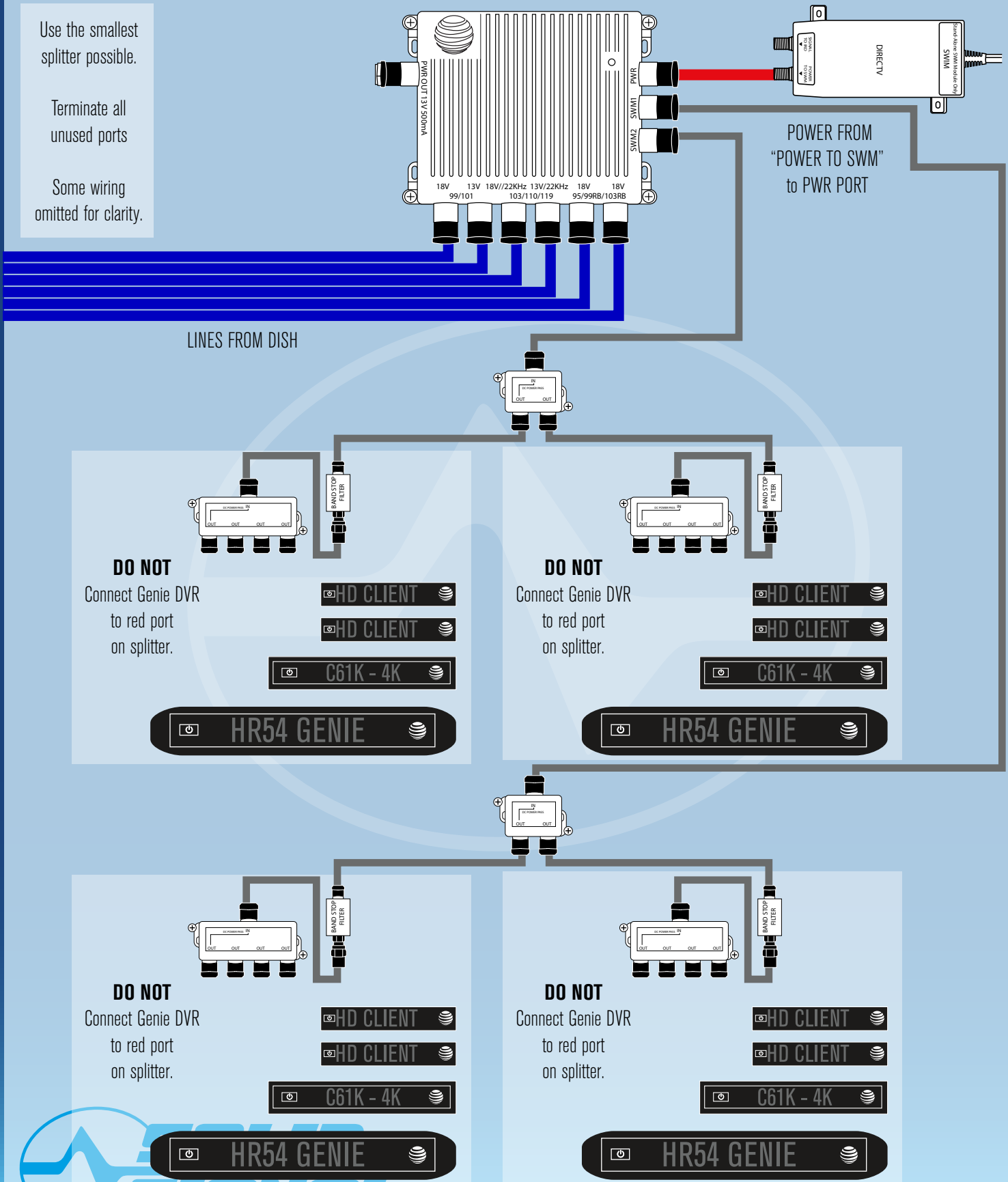
ADVANCED INSTALLATION: DSWM-30

TYPICAL INSTALLATION FEEDING 4 RESIDENCES WITH 4K SERVICE

Use the smallest splitter possible.

Terminate all unused ports

Some wiring omitted for clarity.



MAY, 2017

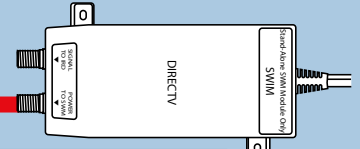
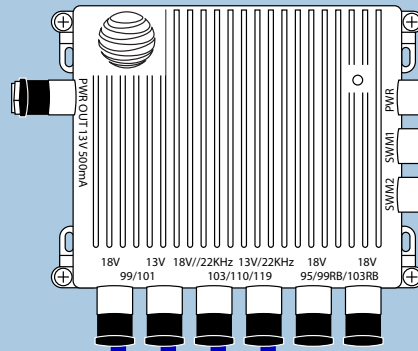
ADVANCED INSTALLATION: DSWM-30

TYPICAL INSTALLATION FEEDING 6 RESIDENCES, 4 ROOMS PER RESIDENCE

Use the smallest splitter possible.

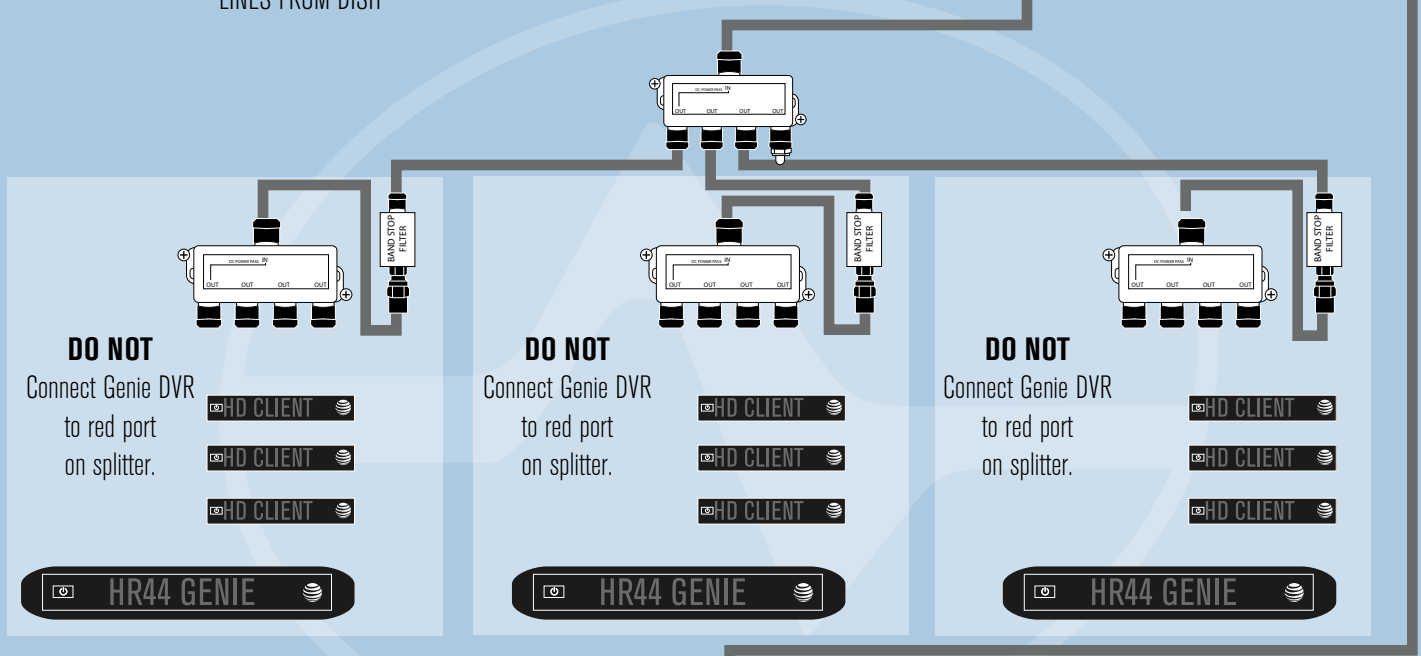
Terminate all unused ports

Some wiring omitted for clarity.



POWER FROM "POWER TO SWM" to PWR PORT

LINES FROM DISH



DO NOT
Connect Genie DVR to red port on splitter.

HD CLIENT
HD CLIENT
HD CLIENT

HR44 GENIE

DO NOT
Connect Genie DVR to red port on splitter.

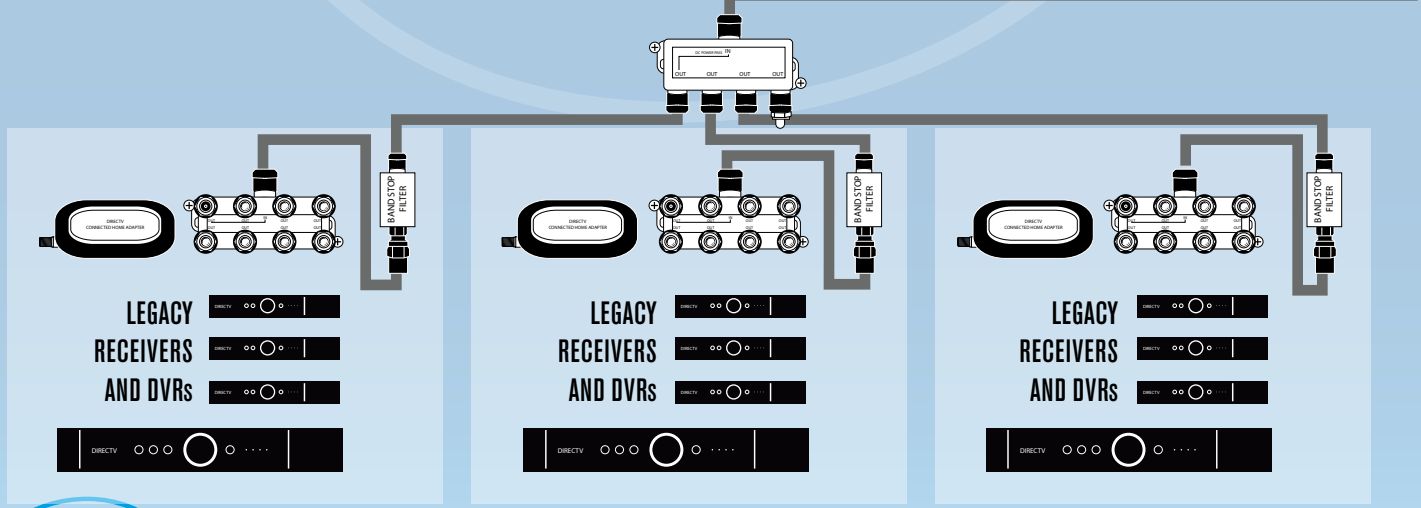
HD CLIENT
HD CLIENT
HD CLIENT

HR44 GENIE

DO NOT
Connect Genie DVR to red port on splitter.

HD CLIENT
HD CLIENT
HD CLIENT

HR44 GENIE



LEGACY RECEIVERS AND DVRs

DIRECTV

LEGACY RECEIVERS AND DVRs

DIRECTV

LEGACY RECEIVERS AND DVRs

DIRECTV

If a non-Genie receiver or DVR is on the line, number of devices is limited to 13.



MAY, 2017

SolidSignal.com is your source for DIRECTV equipment, supplies, and support. We have over 10 years' experience in installing and supporting satellite equipment. Our technical staff is ready to answer all your questions!



visit **SOLIDSIGNAL.COM** for the best selection of equipment and supplies for the high-end installer or do-it-yourselfer!

FORUMS.SOLIDSIGNAL.COM is your source for 24-hour support!



BLOG.SOLIDSIGNAL.COM is your information destination for news, reviews, and tips!

