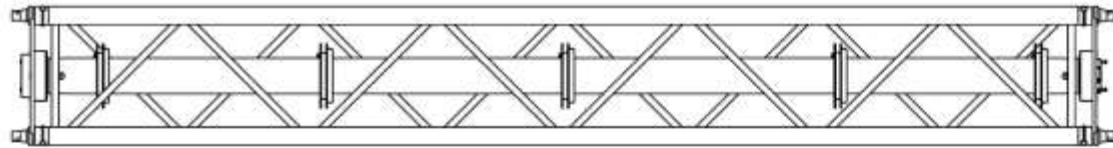


# ROLL UP

## VENETIA AXIS MODULE



## DISCLAIMER & COPYRIGHT

No part of this publication may be duplicated or edited in any form or by any means, including any type of electronic or mechanical method without prior written permission from ShowTex.



ShowTex NV and its employees are fully aware of their task to provide a reliable edition of this document. Nevertheless they can accept no liability for (the direct or indirect consequences of) imperfections that might remain in this edition. The material in this manual is subject to change without notice.

All products from the ShowTex Rental range are supposed to be returned in the same state as they were rented. Please treat our products with care, allowing the next user to enjoy the products as much as you did. The rented products are internally checked according to the general rental conditions. Be sure to check our rental guidelines on our website before installing and using this product:

<http://www.showtexrental.com/showtex-rental-guidelines>.



Read and understand this user manual before installing and or operating the automatic reveal system. Failure to follow the instructions of this document could result in serious injury!



As a result of the above warning, any ShowTex product must be installed and operated by a qualified technician who has knowledge of its capabilities as well as its limitations.

Following the guidelines of this manual will reduce the risk of damaging the equipment or injuring yourself and the people around you. Damage to the system caused by any other method of installation than the one shown in this manual can only be repaired or fixed at the customer's expense.

## CONTENTS

Disclaimer & copyright.....	2
Intro .....	3
Warranty.....	3
Product description .....	3
Safety instructions.....	3
Technical specifications.....	4
Components.....	4
Assembled Venetia Module .....	6
Front view .....	6
Back view.....	7
Exploded view.....	8
Installation.....	9
Necessary steps .....	9
Necessary tools .....	9
<b>How to</b> .....	10
Connect the motor and Axis Module.....	10
Connect two Axis Modules.....	11
Rig the system .....	12
Prep the rib cord.....	13
Install the curtain.....	14
Care and maintenance.....	16
Trouble shooting.....	16
Contact & support .....	16

## INTRO

---

Thank you for purchasing a ShowTex product.

Please take a moment to read this manual before installing or starting to use your new Venetia system. It contains important information regarding health and safety regulations and will guide you through the installation process safely and will show you how to use the system without injuring yourself or the people around you.

## WARRANTY

---

ShowTex warrants that its mechanical/technical products, when delivered in new condition, in original packaging, sold directly and used in normal conditions, are free from any defects in manufacturing, materials and workmanship. The warranty shall only apply if the mandatory preventive maintenance actions as described in the technical documentation have been executed by skilled people. The warranty starts on the invoice date and expires after a period of 24 months.

Please read the entire warranty declaration on our website [www.showtex.com](http://www.showtex.com) before installing & using this product.

## PRODUCT DESCRIPTION

---

The Venetia system is a motorised roll-up system that can be combined with our Roll-up motor range. The easy coupling of the standard 3 metre Axis Module allows for a custom solution that matches your project. This modular system can be used for unveiling a certain object or act during your show. It allows for Austrian and Venetian openings or the installation of a Roman blind system.



This manual only covers the Venetia Axis Module, please refer to the technical data sheets for more info on the motor units.

## SAFETY INSTRUCTIONS

---



The person in charge of overseeing and ensuring the safety of the operating process should always have the emergency unit within reach. He or she should always have a good viewing angle to ensure an incident-free operation. If something goes wrong, pressing the emergency stop will freeze the system.

Note that this is not an ordinary truss. Do not hang lighting or any other heavy objects on the truss. It is developed for mounting the Venetia Axis Module and its components only.

This roll-up system may only be used to move curtains. Never use this system to move people, animals or any other heavy objects! The operator should always keep an eye on the system during operation and make sure no one walks or places any object under the load.

Do not allow any item to be operated or used when in doubt about the safety or good working order to avoid accidents and injuries. Most accidents are the result of lack of training, carelessness and overconfidence, do not assume anything.

Disassembly must be carried out under the same conditions and following the same steps as assembly. Remove all curtains or other suspended items before removing the module from its permanent location. Never remove in one piece.



To prevent electrocution and contact with moving parts, disable the power supply before carrying out any work on the units.

WARNING: the motion system will continue as long as the power is on.

# TECHNICAL SPECIFICATIONS

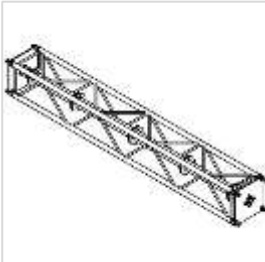
Motor units are not included! Please refer to the TDS of the respective motor you are using for more technical information.

## COMPONENTS

The following components are part of the Venetia system. For more technical information please refer to the technical datasheet.

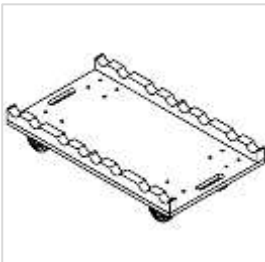
### LEGEND

/m	Weight per metre
/p	Weight per piece
/s	Weight per set




**1. AXIS MODULE**

Art. No. 8140 3116 3007	Colour Black	Weight 64 kg	Dimensions 300x40x40 cm
----------------------------	-----------------	-----------------	----------------------------




**2. TRUSS TROLLEY**

Art. No. 8140 6050 0407	Colour Black	Weight 15.20 kg	Info For 30 & 40 cm trusses.
----------------------------	-----------------	--------------------	---------------------------------




**3. CONICAL COUPLER TRUSS - TRUSS**

Art. No. 8140 2247 0224	Colour Alu	Weight 0.226 kg	Info For connecting Axis Modules
----------------------------	---------------	--------------------	-------------------------------------




**4. CONICAL COUPLER TRUSS - MOTOR**

Art. No. 8140 2247 0124	Colour Alu	Weight 0.18 kg	Info For connecting motor unit to Axis Module
----------------------------	---------------	-------------------	--



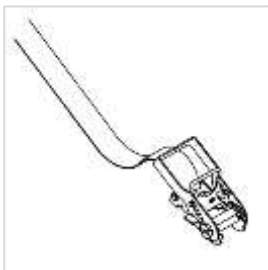
**5. CONICAL END PIECE**

Art. No. 8140 2247 0004	Colour Alu	Weight 0.114 kg	Info For safe transportation
----------------------------	---------------	--------------------	---------------------------------



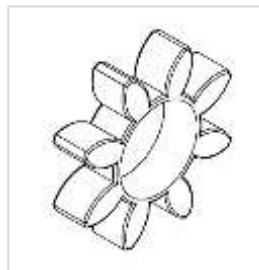
**6. HOOK & LOOP + D RING**

Art. No. #### #### ####	Colour Black	Weight 0.026 kg	
----------------------------	-----------------	--------------------	--



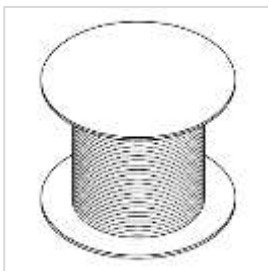
### 8. RATCHETS

Art. No. 8800 0372 3007	Colour black	Weight 0.25 kg	Length 300
→ For 2 trusses			
8800 0372 5009	black	0.33 kg	500 cm
→ For 4 to 6 trusses			



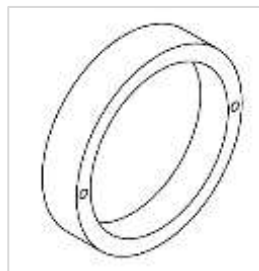
### 12. JAW CLAMP RING

Art. No. 8140 9999 0007	Colour black	Weight 0.066 kg
----------------------------	-----------------	--------------------



### 9. RIB CORD

Art. No. 7550 0002 0003	Colour white	Width 2 mm	Info 100 m / roll
7550 0002 0007	black	2 mm	100 m / roll



### 13. JAW CLAMP COVER

Art. No. 8140 3116 3027	Colour Alu	Weight 0.061 kg	Info To cover up last Axis Module
----------------------------	---------------	--------------------	--



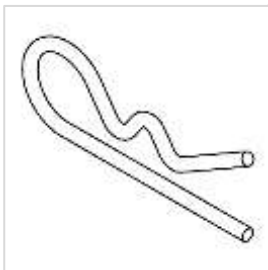
### 10. BULLET PIN

Art. No. 8140 2247 0014	Colour Alu	Weight 0.04 kg
----------------------------	---------------	-------------------



### 14. VENETIA CURTAIN

Art. No. #### #### ####	Colour ...	Weight ...	Info Not included, to be ordered separately
----------------------------	---------------	---------------	--



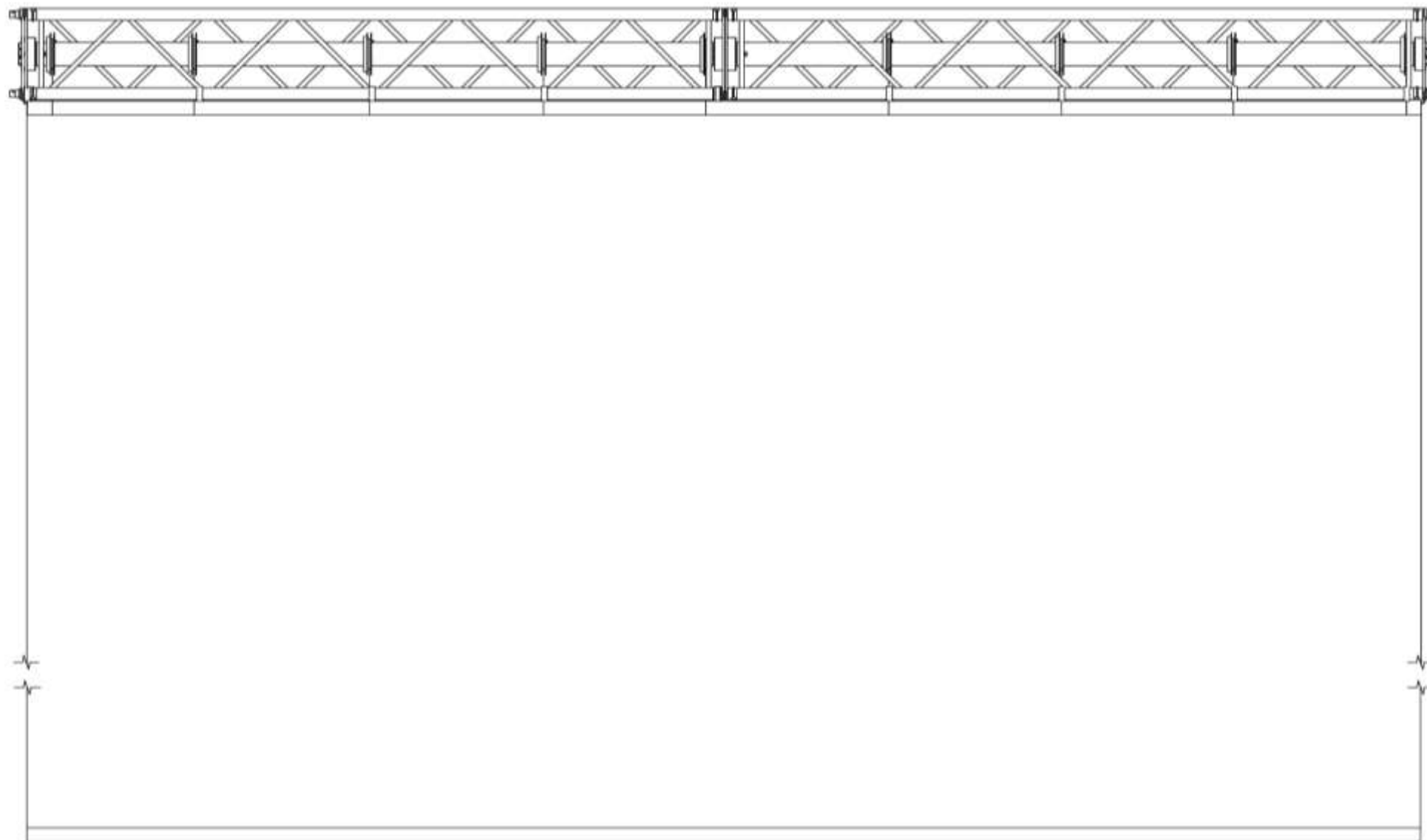
### 11. R - CLIP

Art. No. 8140 2247 0014	Colour Alu	Weight 0.004 kg
----------------------------	---------------	--------------------

# ASSEMBLED VENETIA MODULE

FRONT VIEW

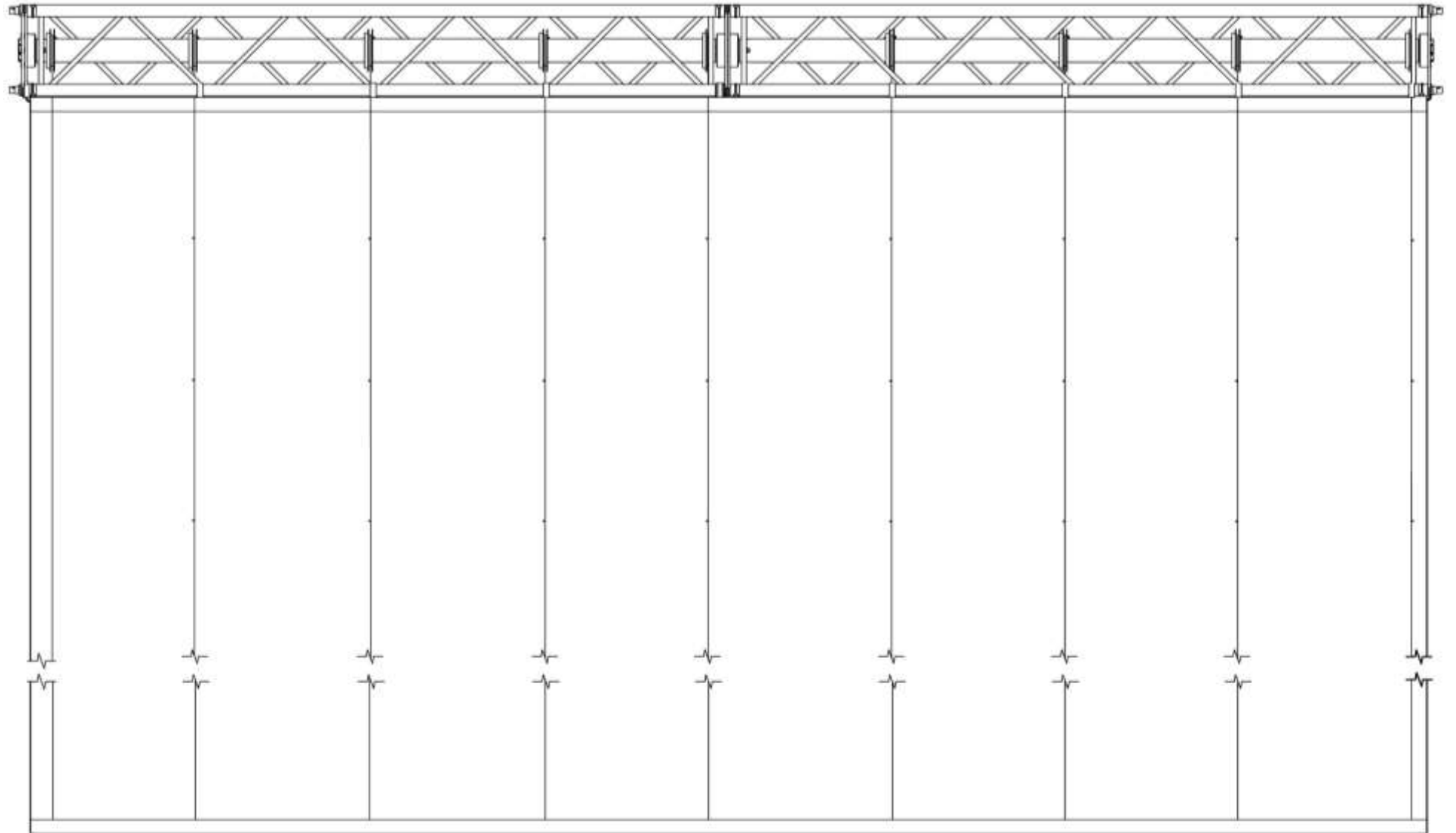
*Two Venetia Axis Modules of 3 metres*



---

BACK VIEW

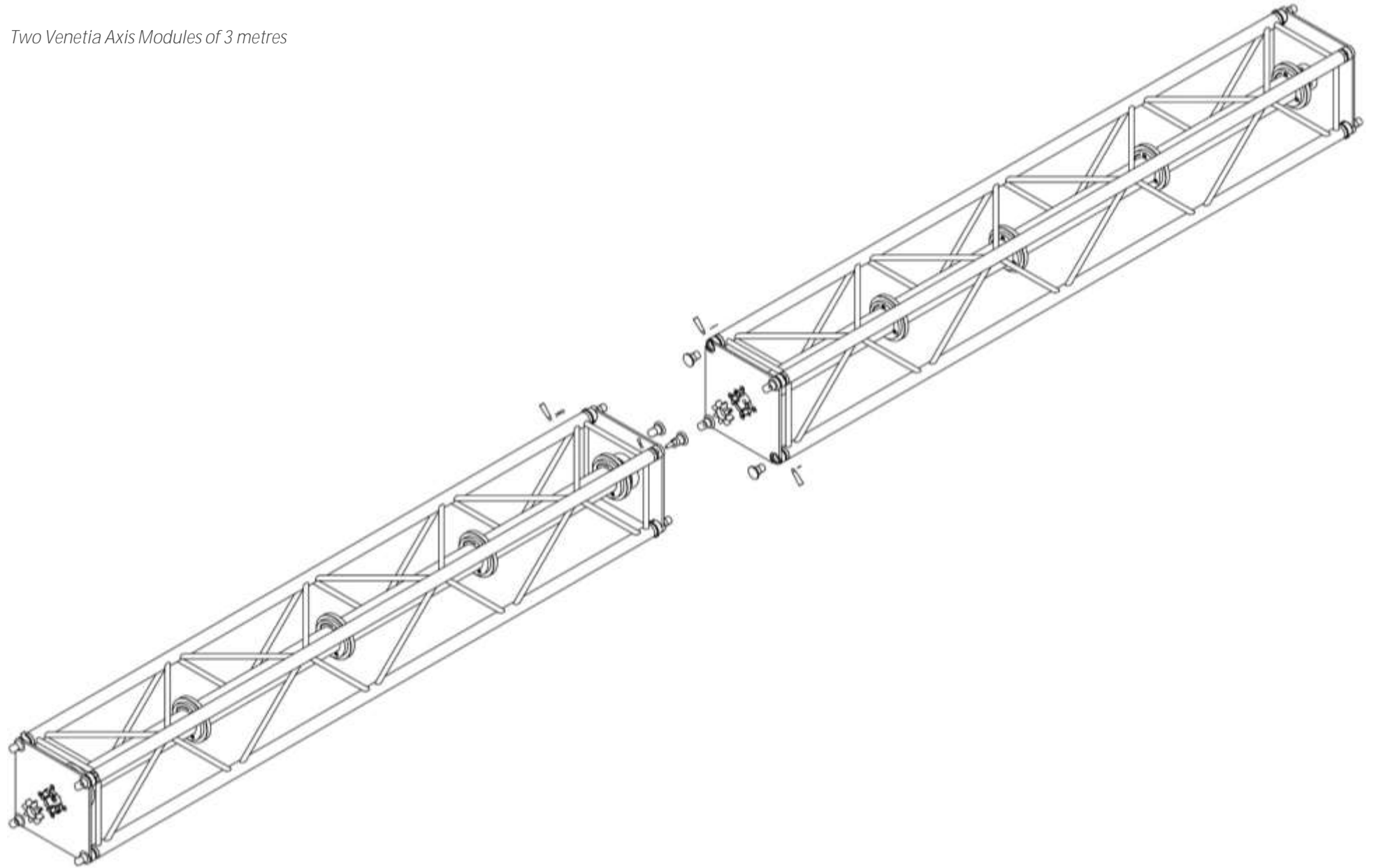
*Two Venetia Axis Modules of 3 metres*



---

EXPLODED VIEW

*Two Venetia Axis Modules of 3 metres*





# INSTALLATION

---

This chapter provides all required information and steps necessary for installing a Venetia roll-up system.

Note that one needs to have a certain technical knowledge and experience in order to understand this guide and install this product.

 BE SHURE TO **CHECK THE “HOW TO ...” CHAPTER TO ENSURE PROPER INSTALLATION.**

## NECESSARY STEPS

---

1. Connect the motor to the first Axis Module.
2. Connect 2<sup>nd</sup> Axis Module to the first.
3. Repeat for all other modules.
4. Rig the system.
5. Hoist to working height.
6. Place the rib cord on the flanges, let the ropes hang freely.
7. Tie the cloth to the truss tube.
8. Position the flanges in line with the rings on the back of the canvas.
9. Secure the flanges on the axis.
10. Thread the rope through the rings on the back of the canvas.
11. Tie the end of the rope to the D-ring in the hem and pull down the remaining rope.
12. Hoist the system
13. Turn the flanges to tighten the rope (optional).

 *The motor is best positioned on the jardin/stage right/opposite prompt side of the stage!*

## NECESSARY TOOLS

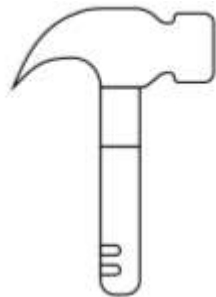
---



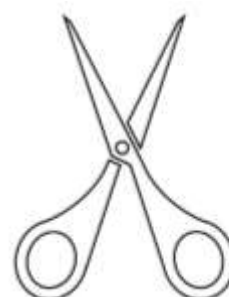
Screwdriver



Screwdriver



Hammer



Scissors



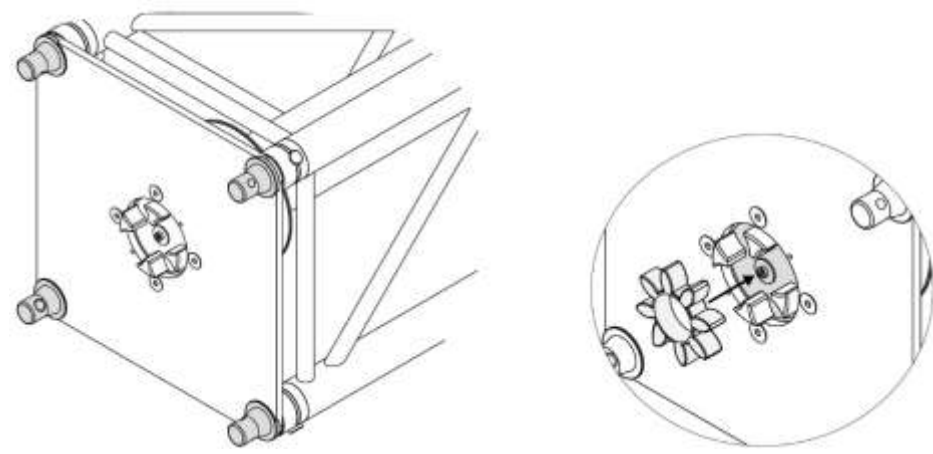
Allen key n° 4



Lighter

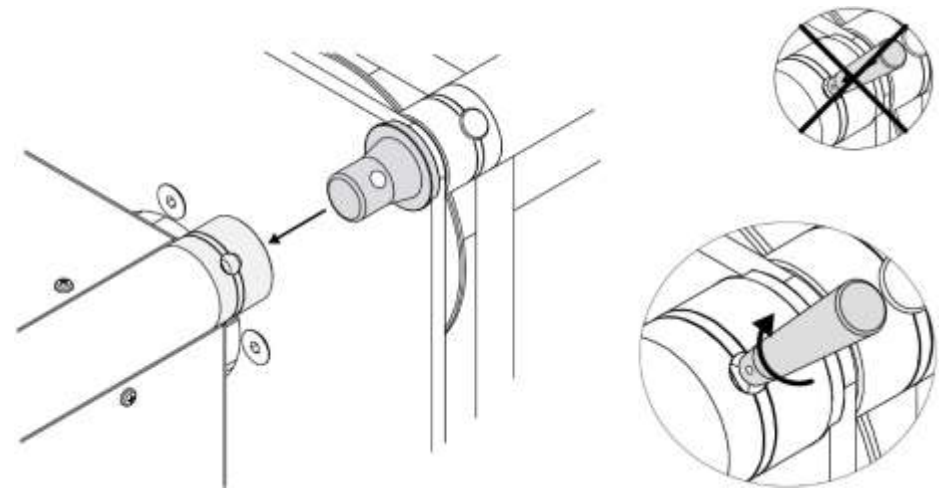
### HOW TO ...

#### CONNECT THE MOTOR AND AXIS MODULE



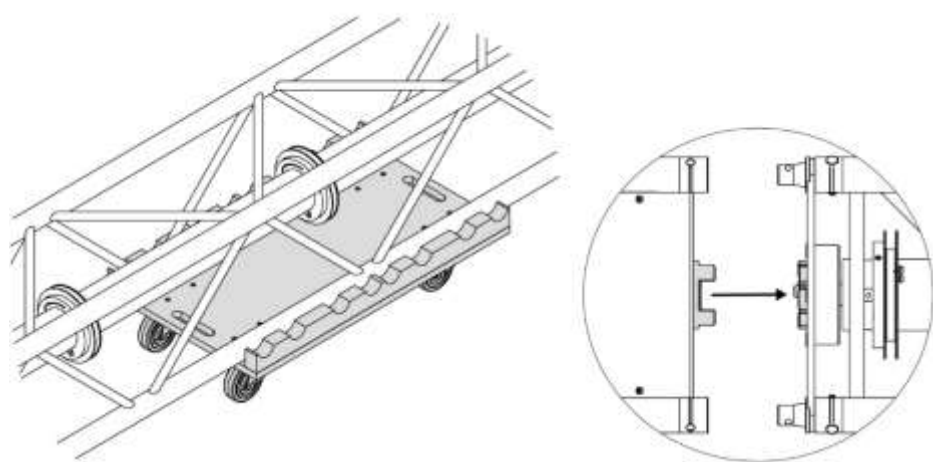
1: Pick the first Axis Module, this is the only one which has 4 truss – roll couplers.

2: Check that the rubber part is inserted in the jaw clamp coupling.



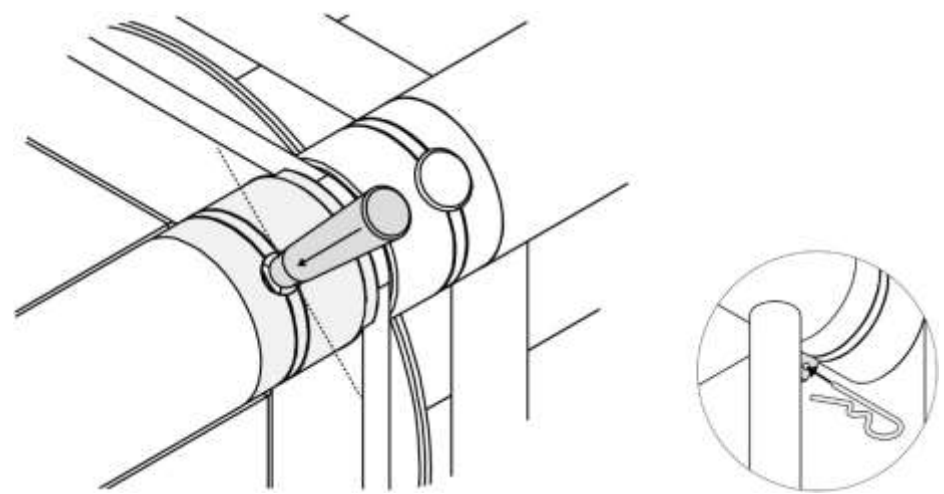
5: Connect the motor with the first Axis Module.

6: Turn the bullet pin until the R - clip connection faces upwards.



3: Put both the motor and the first Axis Module on a trolley for easy installation.

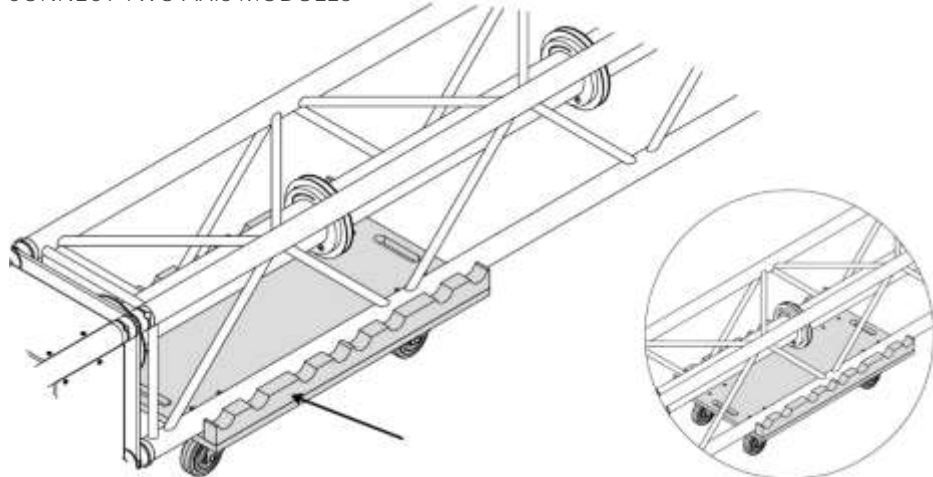
4: Align the jaws of the motor and axis while connecting.



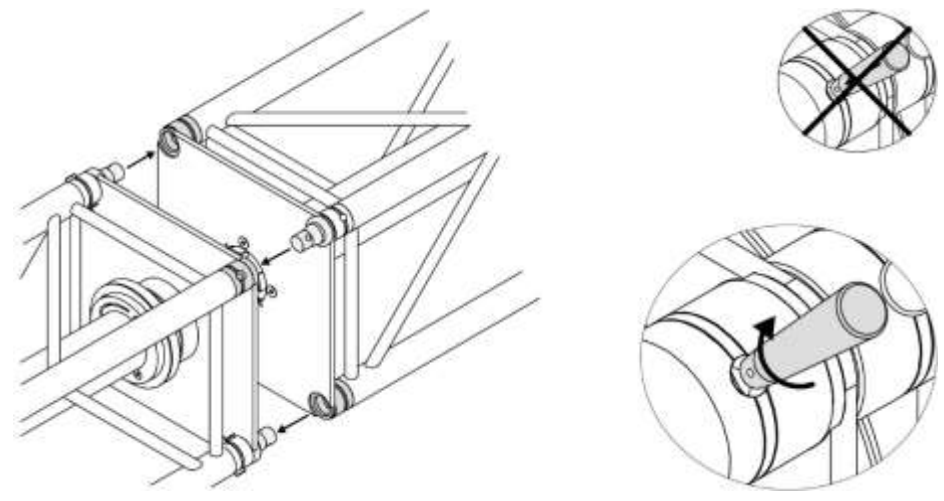
7: Secure by placing a bullet pin through the truss tube and coupler.

8: Secure the bullet pin with the R-clip, repeat step 7 & 8 for all connections.

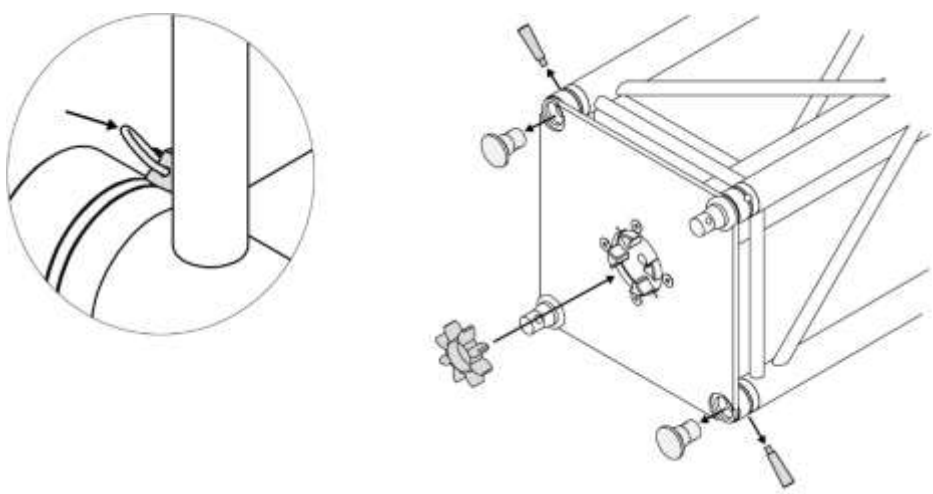
CONNECT TWO AXIS MODULES



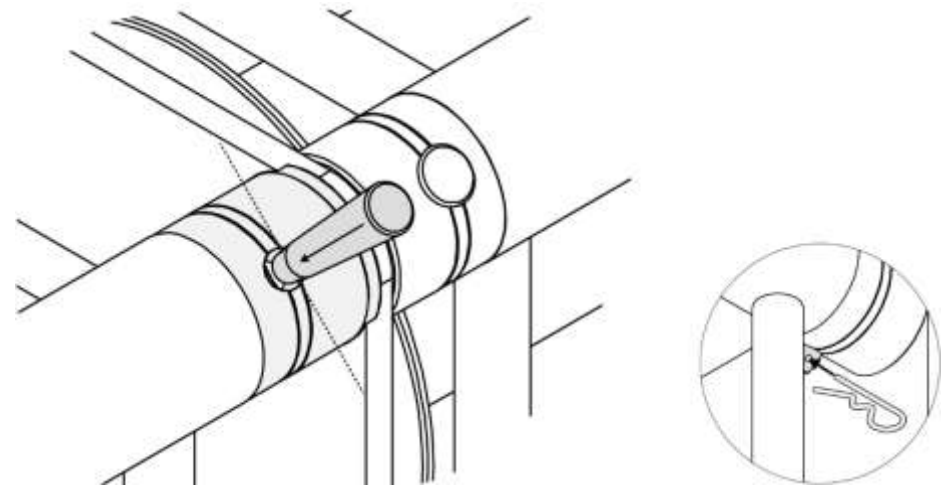
- 1: Place the trolley just behind the connection between motor and Axis Module.
- 2: Put the second Axis Module on another trolley.



- 5: Connect the first and second Axis Module.
- 6: Turn the bullet pin until the R - clip connection faces upwards.

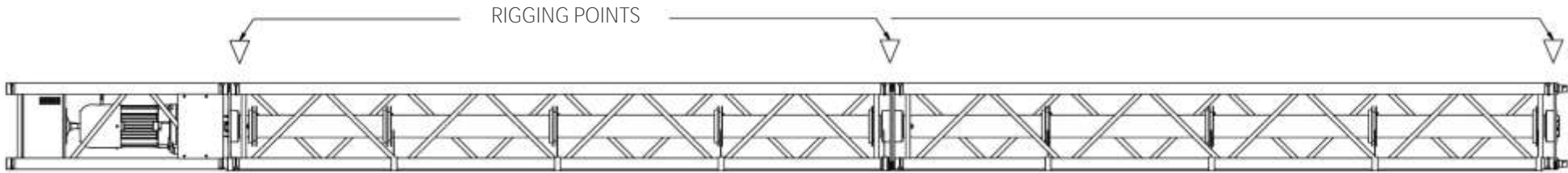



- 3: Remove the clips, pens and conical end pieces from both modules.
- 4: Insert the rubber part in the jaw clutch coupling of the second Axis Module.



- 7: Secure by placing a bullet pin through the truss tube and coupler.
- 8: Secure the bullet pin with the R-clip, repeat step 7 & 8 for all connections.

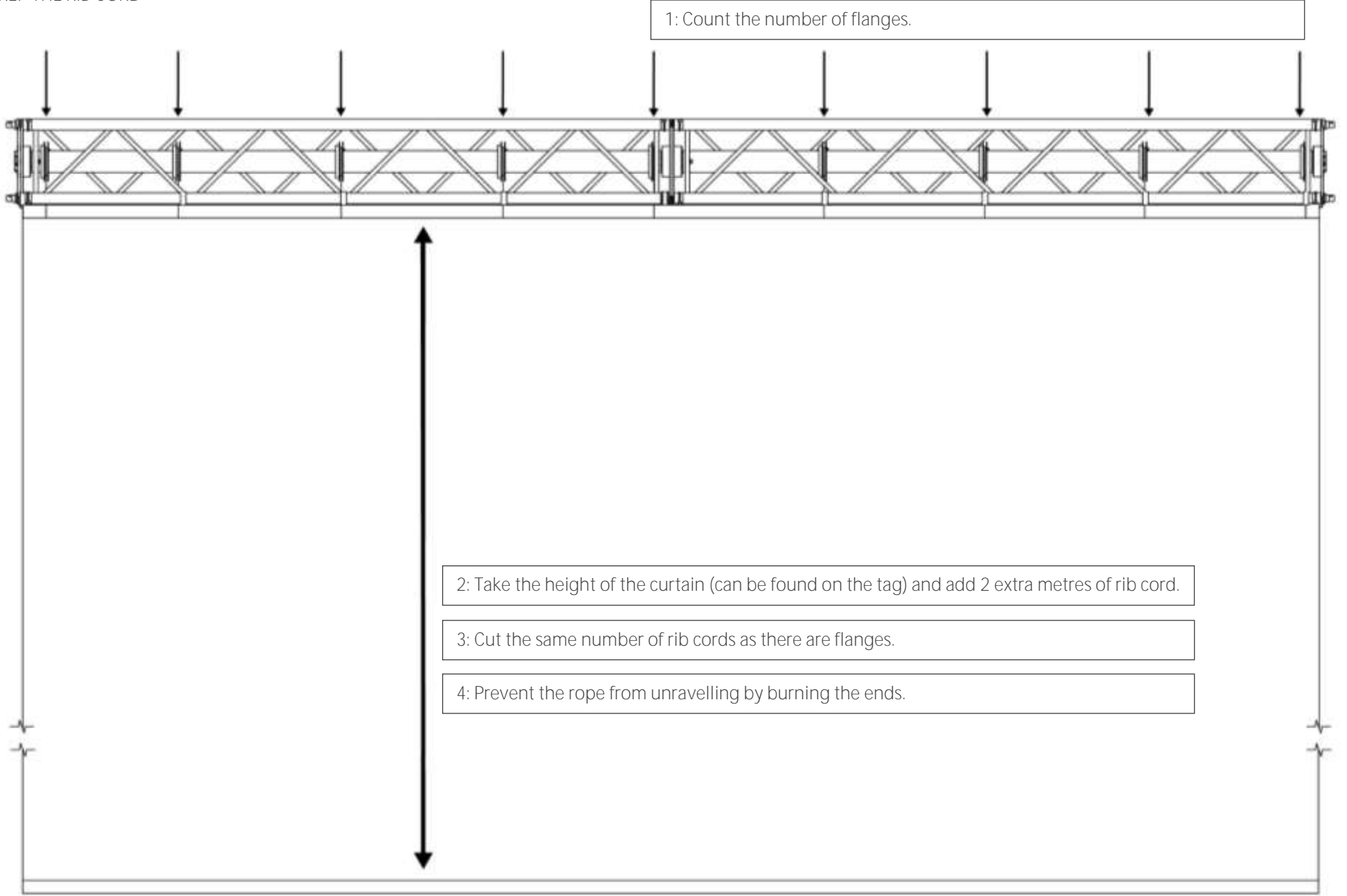
RIG THE SYSTEM



 *Rigging should be done in line with the bearings, no matter which type of motor you are using.*

 *Once the module is rigged you can hoist the system to a comfortable working height.*

PREP THE RIB CORD



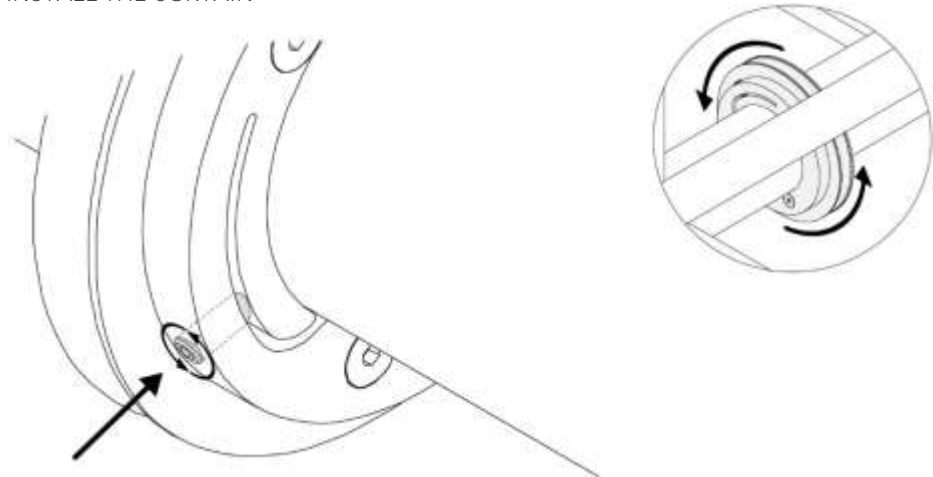
1: Count the number of flanges.

2: Take the height of the curtain (can be found on the tag) and add 2 extra metres of rib cord.

3: Cut the same number of rib cords as there are flanges.

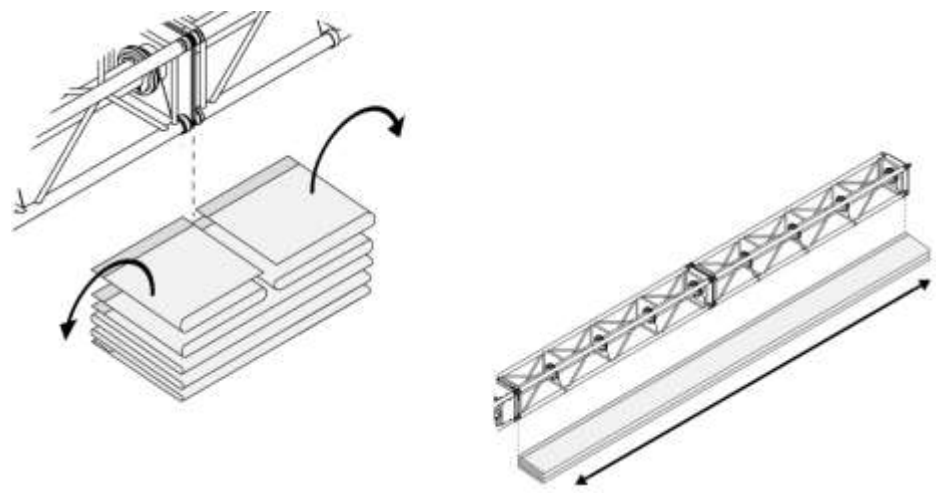
4: Prevent the rope from unravelling by burning the ends.

INSTALL THE CURTAIN



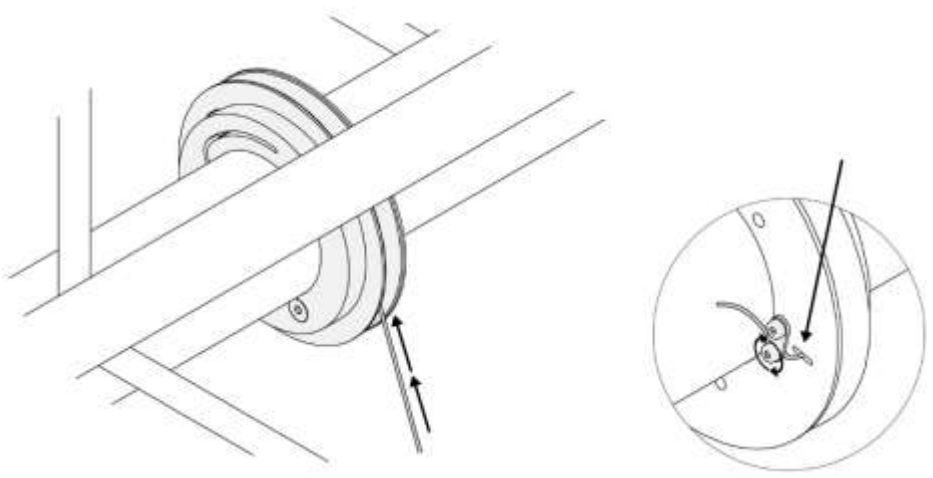
1: Loosen the flanges using the adjusting screw.

2: Turn all flanges until the adjusting screw faces the front of the truss tube.



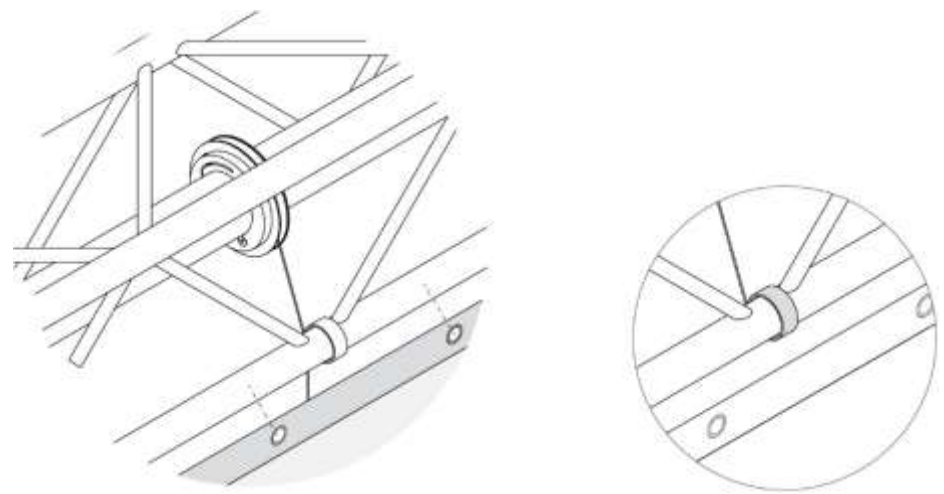
5: Place the curtain in the middle, in front of the Venetia system.

6: Unroll the entire width of the curtain to the left & right in the correct manner.



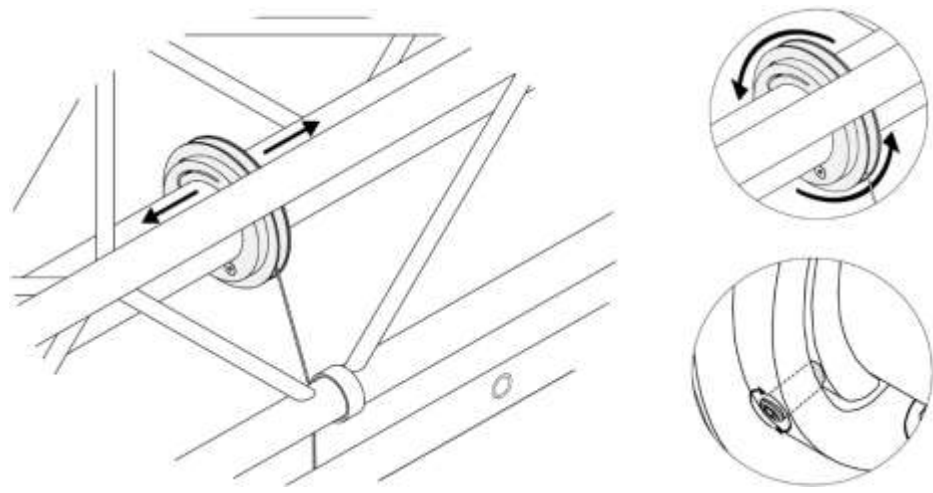
3: Place the rib cord on the flanges.

4: Thread the cord through the slit and secure using the adjusting screws.



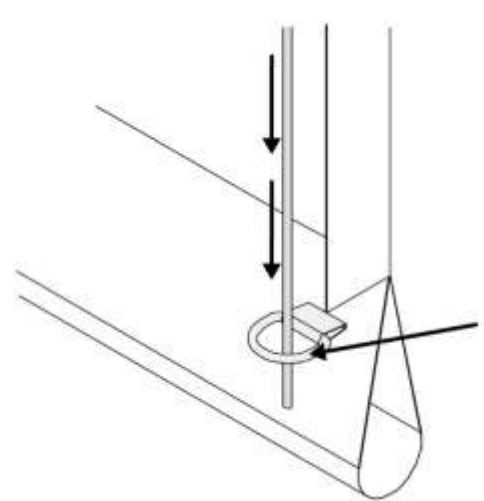
7: Tie the curtain on the truss tube using tie ribbons.

8: Place the D-rings in line with the O-rings on the back of the curtain.



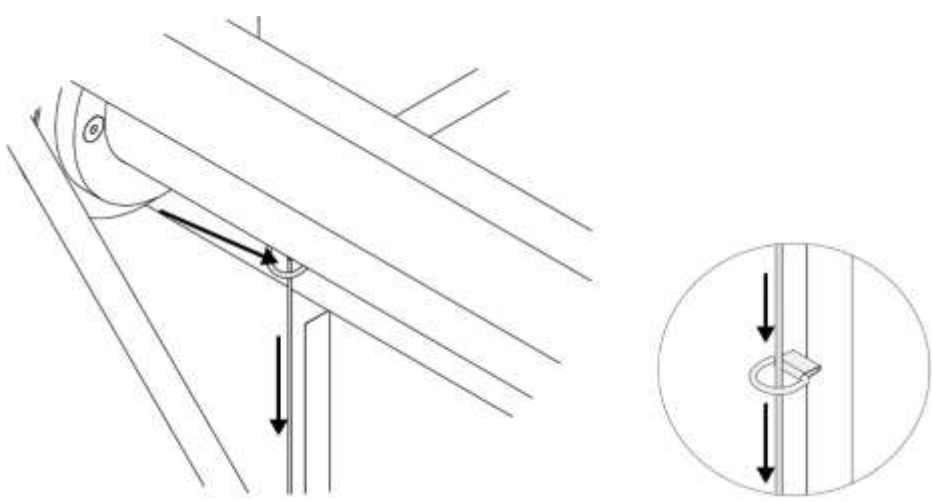
9: Position the flanges in line with the O-rings on the back of the canvas.

10: Turn 4 times & secure the flanges using the adjusting screw.



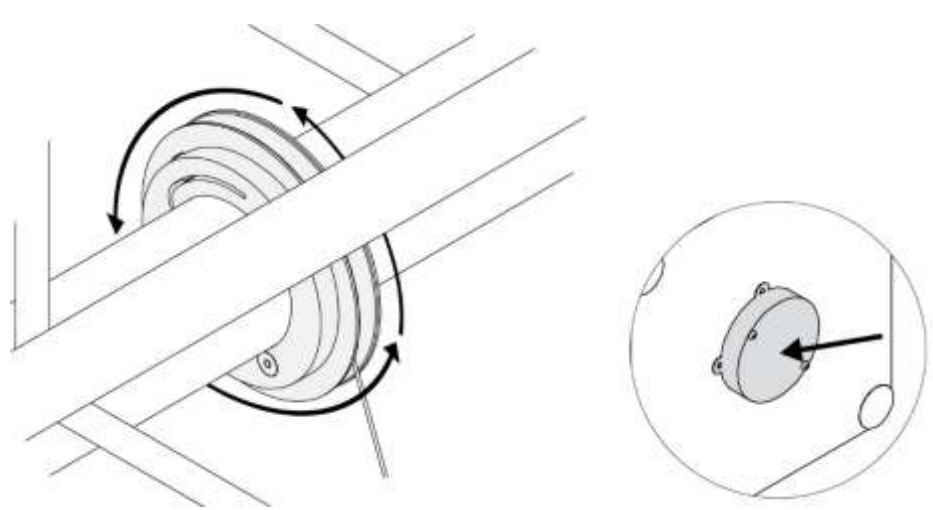
13: Tie the end of the rope to the lowest O-ring & pull down the remaining rope.

14: Hoist the system to operation height.



11: Thread the rope through the D-ring.

12: Then go through the O-rings, from top to bottom, on the back of the canvas.



15: Turn the flanges until the rope is tightened to the correct tension.

16: Use the jaw clamp cover to close the last truss's jaw clamp.



## CARE AND MAINTENANCE



Periodic, regularly scheduled maintenance inspections are necessary for any mechanical system. The Venetia Axis is no different. It has components that must be inspected, adjusted, maintained and replaced. In order to keep your system safe and in good working order, a regular inspection and maintenance programme must be implemented.

Follow the schedule outlined below as a minimum maintenance programme. Once the operating personnel has been working with the system during the first year, certain measures may be added or adjusted depending **on your facility's** requirements.

ITEM	w	m
Operate Venetia Axis.	x	
Listen for unusual bearing noise or other unusual sounds.	x	
Inspect the condition of the ropes.		x
Inspect the adjustment of the ropes.		x
Inspect the alignment of the flanges with the guiding rings on the back of the curtain.		x
Inspect the tightening of the tensioning system of the flanges.		x
Inspect the curtain, guiding O-rings & D-rings with hook & loop fasteners.		x
Inspect the attachment of the guiding O-rings to the back of the curtain and check the condition.		x
Inspect the attachment of the O-rings to the pocket of the curtain and check the condition.		x
Check for damage to the truss.		x
Check all spigots with R-spring and spigots with lock nuts.		x

\*W = every week

\*M = every 6 months

The best way to maintain the Venetia Axis is to use it often. Each mechanical part should be used at least once a week. This avoids the collection of residue and dirt in the bearings and allows to discover irregular noises in time. More frequent maintenance is recommended in case of intensive use or when the system is installed in a humid or dusty environment and when it is subject to temperature fluctuations.

## TROUBLE SHOOTING

Please perform the following steps if:

1. The curtain is not lifting up.
  - Fine tune the length of the cords by adjusting the flanges.
2. The flanges are not in line with the guiding rings on the back of the curtain.
  - Loosen the flange and realign.
3. One or more lifting points of the curtain are not lifting.
  - Check the cords, if broken, replace the cords.
4. The weighted bar is coming out of the pocket of the curtain.
  - Check the hook & loop inside the pocket end and on the weighted bar, connect hook and loop properly if in bad condition, replace it necessary.

## CONTACT & SUPPORT

For more technical assistance, please contact your local ShowTex branch, the address and contact information can be found on our website:

[www.showtex.com](http://www.showtex.com)



Have a great show!