

DISCOUNT TRACTOR PARTS

Parts catalogue Ford 2000, 3000, 3600, 3900

Ph 0800 872272 0800 TRACPART
 www.discounttractorparts.co.nz email parts@discounttractorparts.co.nz

Front Axle

- King pin LH/RH \$133.30 per side
- Spindle Seal \$2.34
- Top Bush \$5.10
- Lower Bush \$11.70
- Thrust Bearing \$14.04
- King pin repair kit \$29.64 per side
- Centre axle pivot pin 45mm dia \$51.48
51mm dia \$59.28
- Pivot bush 45mm dia \$17.16
51mm dia \$12.00
- Axle beam bolt and nut \$5.30
- Radius rod bolt \$5.40

Front Hub

- Hub Seal \$6.56
- Bearing & Seal Kit \$34.50 per side
- Keyed Washer \$3.56
- Castellated Nut \$3.50
- Wheel Hub \$100.00
- Hub Cap \$9.36
- Wheel Stud (1/2in U.N.F.) \$2.27
- Wheel Nut (1/2in U.N.F.) \$1.88
- Wheel rim (Tyre Size 600x16) \$88.00



Prices plus gst & subject to change

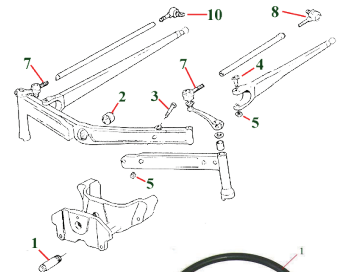
Steering

Manual steering

- Front Ball Joint Manual Steer \$30.00
- Rear Ball Joint Manual Steer \$30.00 ea
- Tie rod end boot \$2.50

Power steering

- Front ball joint to steering arm \$48 (no7)
- Rear 1/2 Drag Link \$199.95 ea (9 & 11)
- Power Steering Pump \$595
- Power Steering Pump Filter \$21.53
- Pump Seal Kit \$22.62
- P/Steering Ball Joint for Ram \$75.98 (12)
- P/Steering Ram (without ball joint) \$526.80 (13)
- Kit for above ram \$78.33 (14)
- Hoses for above cylinder \$57.00 ea



STEERING BOX

- Column Grommet \$5.00
- Top column Bush \$21.21
- Output Shaft Seal \$6.71
- Shaft Bearing Kit \$103
- Shaft & Nut Assembly \$184
- Power steering column seal kit \$25.89
- Steering wheel nut \$7.80
- Steering wheel \$50
- Wheel spinner \$33



Engine Kits

4.2in Bore 3000, 3600 & 3900. (2000 eng POA)

In Tractor \$634

Contains pistons, rings, BE brgs & gaskets

Full Overhaul Kit \$710

As in tractor plus main brgs & seals

Crankshaft Kit \$1305

As above plus crankshaft

Liners \$56.16 ea (not incl in kits)

Machine block to accept liners

Parts Available Individually



Cylinder Head

Inlet Valve. Std. \$17.70

O/Size \$17.16

Exhaust Valve Std. \$19.50

O/Size \$21.84

Valve Spring \$6.60

Injector Washer \$1.22

Valve Train Kit Std \$153.30

Over size \$146.63

Valve Retainers \$2.03 ea

Rocker arms \$21.60 ea Inlet & Ex

Engine Block

Camshaft \$253.27

Camshaft Brgs (4 req.) \$13.26 ea

Oil Pump \$146.63

Drive gear and spindle set \$60.84

Ring Gear \$82.50

Oil Filler Cap \$19.50

Camshaft Follower \$20.28 ea

Crankshaft \$672.37

Main Brg set \$77.63 std > 0.030

Big end brg set \$38.22 std > 0.030

Standard Ring set \$135.72 full set

Front Timing cover seal \$8.58

Rear main seal \$36.00

Gudgeon Bush \$9.18 ea

Con Rod Lock Nut \$1.47ea



Gaskets

Top Set \$61.50

Lower Set \$68.64

Tappet cover \$15.00

Exhaust manifold \$10.00

Sump gasket \$19

Thermostat housing \$4.50

Fuel System

Fuel Tap All metal \$42

Fuel Tap Metal and plastic insert \$20.28

Fuel Tank Cap \$10.92

Fuel Tank \$293.26 (3000 models)

Stop Cable \$24.00 (non original)

Injector Pipe Set Rotary Pump \$70.50

Injector pipe set in line pump \$82.50



Filters

180 mm pre cleaners

Pre-Cleaner with pipe \$45.00

Pre-Cleaner Less Pipe \$48.00

Pre-Cleaner Bowl \$14.00

Engine oil spin on oil filter adaptor kit \$75.00

Engine oil filter spin on \$16.50

Engine oil filter Element Type \$24.00

Fuel Filter \$6.50

Power Steering filter \$22.00

Hydraulic filter gauze \$21.84

(71mm long x 51mm dia x 19mm ID hole)

Prices plus gst & subject to change pg2

Exhaust

- Exhaust Manifold (Upswept) \$95.98
- Rain Cap \$14.00
- Muffler Oval Baked Enamel \$85.31
- Muffler round Baked Enamel \$68.64



Electrical

- Generator 22 amp No Tacho \$165
- 22 amp Accepts rev cable drive \$235
- Regulator 22 amp \$75.00
- Starter \$298
- Start Inhibitor Switch \$39.00
- Alternator \$186
- Starter / key Switch \$45.24
- Key \$4.22
- Manifold heater element \$29.64
- Main Wiring Lomb \$120
- Suit generator model Temp gauge wiring not included
- G/box Safety start harness \$18.50



Instruments

- Instrument Cluster \$485 (Clockwise Face, Cable Driven From Generator)
- Tacho cable \$26.50
- Tacho Drive fits on Generator \$37.50
- Tacho Drive fits on engine block \$65.00
- Temp. Sender \$17.94
- Oil Sender \$11.55
- Fuel sender \$71.76
- Voltage Stabilizer \$56.16



Lighting

- Headlight in grill \$125.00
- Rubber surround \$37.50
- 4" sealed beam unit \$45
- Head light switch orig type \$30.00
- Tail Light assembly \$55.00
- Tail light lens \$16.50
- 12V Work Light \$40.00
- Universal Lighting Kit \$124.90

*Includes W/Light
2 Headlights Switch*



Cooling

- Water pump \$105.00
(complete with single V pulley)
- Tropical fan (8 blade) \$49.92
- Thermostat \$13.20
- Thermostat housing \$21.75
- T/stat housing gasket \$4.50
- Top Radiator hose \$13.50
- Bottom radiator hose \$16.82
- Radiator hose kit \$25.50
- Fan belt \$13.35 *with gene*
- Fan belt *with alternator* \$14.53
- Radiator cap \$15.00
- Radiator POA
- Radiator mount pad \$3.50



Clutch

- Dual clutch (11" x 15 spline main plate) (1965- 9/1969)
- Full kit \$1186
- Comprises :-*
- Main plate \$95.98
- Cover assembly \$1126 incl PTO plate
- Thrust brg \$58.50
- Spigot brg \$7.35
- PTO plate \$180.

pg 3

Prices plus gst and subject to change

Clutch continued

**Dual Clutch Main Plate 11in x10 Spline ,
Full kit \$1186.37**

Comprises :-

**Main Plate \$91.98
Cover assy. \$1126.39
Thrust Brg. \$58.50
Pilot Brg. \$7.65**



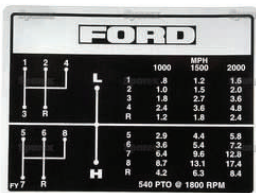
P.T.O. Plate \$180.

Grills and Panels

**Top Grill metal \$60.84
Lower Grill metal \$126.64
Top Grill plastic \$46.84
Lower Grill plastic \$46.84
LH / RH Hood \$125 per side
Tank Cover \$250
Hood Lock Handle \$14.97
Hood latch assembly \$22.50
Grill Ret. Knob \$12.50
Clip (4 Req.) \$3..00
Mudguards \$566 pr
Foot plate set \$225**

Paint & Decals

**Late Blue 1L \$43.32
4L \$110.85
Ford Grey 1L \$41.45
4L \$104.69
Thinners 4L \$46.47
Undercoat 4L \$90.00
Bonnet Decal Set
3000 X \$45.00
3000 Y \$29.50
Gear shift pattern
decals \$12.80**



Hydraulics

**Rear Hyd. Filter \$21.84 (Internal Element)
O Ring Kit \$26.25
Remote Hyd. Diverter Valve \$250.60
Engine mount oil pump POA
Large range of parts available on request**

Transmission

**Rear Wheel Stud \$4.05 ea
Rear Wheel Nut \$2.49 ea
Outer axle Seal \$17.16
Inner axle Seal \$10.14
Gearbox Lever Cover Assembly. \$187.60
Cover assembly gasket \$12
Main gear lever \$75
Hi Low Lever \$55
Gear Knob main lever \$8.50
Gear lever Hi low lever \$4.95
Gear lever boot \$10ea
Crown Wheel Bolt \$3.44 Nut \$2.10
Large range of g/box gears, brgs, springs &
seals available POA**



P.T.O.

**PTO output shaft
Rear Oil Seal \$17.16
P.T.O. Cap \$24.00
Engagement selector and collar avail POA**



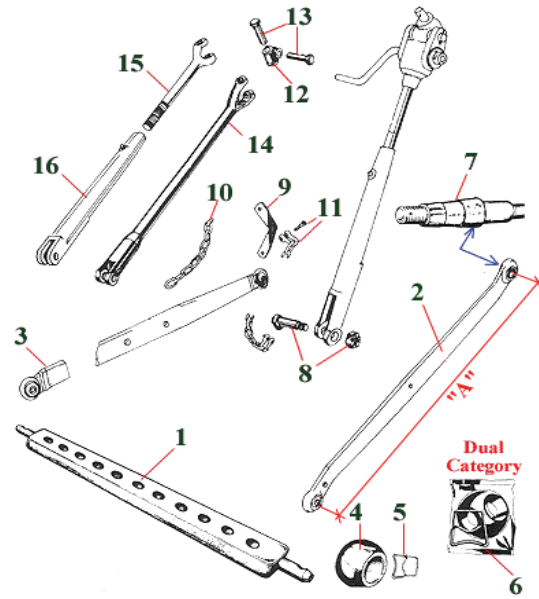
Brakes

**Brake lining set 38 mm wide \$66
Sets include 4 linings and rivets
Brake Shoe set 38mmWide \$179.96
Spring retainer Set (per side) \$12.48 ea
Brake Drum \$128
Red Spring (2 per side) \$2.10 ea
Brake Pedal return spring 76mm \$5.00
Brake pedal return spring 110mm \$5.00
Brake cross shaft \$60.00
Cross shaft bush \$12.50
Hand Brake Lever Repair Kit \$32.76**

Prices plus gst and subject to change pg4

3 Point Linkage

- 1) Linkage Drawbar Cat 1 \$67.50 Cat 2 \$72.00
- 2) Lower Link Arms \$145 Fixed Cat 1 Ball Ends Thickness 16mm
- 3) Weld on ball ends Cat 1 \$16.60 ea
Cat 2 \$23.85 ea
- 4) Linkage ball Cat 1 \$10.00 flat sided
Linkage ball Cat 2 \$10.00 Flat sided
- 5) Retaining Ball clips \$3.90 ea
- 6) Dual Cat 1/2 Ball & Clip \$20.28 per side
- 7) Tapered Lower Link Mount Pin \$16.50
Non diff lock tractors :- both sides
Diff lock tractors :- LHS only



Inner check chain parts:-

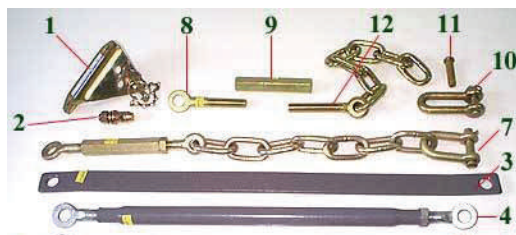
- 8) Lower link pin :- level box to lower link with sway chain mount \$14.00
- 9) Anchor Bracket \$10.92 ea
- 11) chain and 2 x shackle \$14.00

LH link strut comprising of :-

- 12 -Link arm knuckle \$14.82
 - 13 -Knuckle Pin 5/8in Dia. \$3.60ea
 - 15 -Yoke Rod 380mm x 3/4in U.N.C. \$57.00
 - 16 -Fork 3/4 x 360mm \$40.50
 - 17 -RH leveling box assembly \$146
- Individual parts available

Stabilizers

- LH/RH Stay bracket \$22.50 ea
- 2 -Stay Bracket Pin \$3.93
- 4 -Adjustment Stay 7/8in Dia. Eyes \$32.75
- 7 -Universal Chain Stabilizer \$39.75
- 13) Stabilizer with plough arm mount pin \$57 ea
- 14) Top link 45.00



General

- Operators hand book \$46.05
- Service Manual \$82.83

Suspension Seats

- Wrap round \$138
- Avail in black & blue
- Flat back \$144
- High back \$199



Prices plus gst & subject to change