



Electrical Circuit Diagrams





DISCOVERY

2003MY

Electrical Circuit Diagrams

Publication Part No. LRL 0553NAS(3)

Published by Land Rover

© 2002 Land Rover

COLOUR CODES**DRAADKLEURCODES****CODICI COLORI DEI CAVI****CODES DES COULEURS DES FILS****CODIGOS DE COLORES DE LOS CABLES****KABELFARBCODES****CÓDIGOS DAS CORES DOS FIOS**

CODE	COLOUR	CODE	KLEUR	CODE	COULEUR	CODE	FARBE	CODICE	COLORE	CODIGO	COLOR	CÓDIGO	COR
B	BLACK	B	ZWART	B	NOIR	B	SCHWARZ	B	NERO	B	NEGRO	B	PRETO
G	GREEN	G	GROEN	G	VERT	G	GRÜN	G	VERDE	G	VERDE	G	VERDE
K	PINK	K	ROZE	K	ROSE	K	ROSA	K	ROSA	K	ROSA	K	ROSA
LG	LIGHT GREEN	LG	LICHTGROEN	LG	VERT CLAIR	LG	HELLGRÜN	LG	VERDE CHIARO	LG	VERDE CLARO	LG	VERDE CLARO
N	BROWN	N	BRUIN	N	BRUN	N	BRAUN	N	MARRONE	N	MARRON	N	CASTANHO
O	ORANGE	O	ORANJE	O	ORANGE	O	ORANGE	O	ARANCIONE	O	NARANJA	O	LARANJA
P	PURPLE	P	PAARS	P	VIOLET	P	LILA	P	PORPORA	P	PURPURA	P	ROXO
R	RED	R	ROOD	R	ROUGE	R	ROT	R	ROSSO	R	ROJO	R	VERMELHO
S	SLATE (grey)	S	LEIGRIJS	S	GRIS	S	GRAU	S	ARDESIA (grigio)	S	PIZARRO (gris)	S	CINZENTO
T	TRANSPARENT	T	TRANSPARANT	T	TRANSPARENT	T	TRANSPARENT	T	TRASPARENTE	T	TRANSPARENTE	T	TRANSPARENTE
U	BLUE	U	BLAUW	U	BLEU	U	BLAU	U	BLU	U	AZUL	U	AZUL
W	WHITE	W	WIT	W	BLANC	W	WEISS	W	BIANCO	W	BLANCO	W	BRANCO
Y	YELLOW	Y	GEEL	Y	JAUNE	Y	GELB	Y	GIALLO	Y	AMARILLO	Y	AMARELO

CONTENTS

1 POWER DISTRIBUTION	6	31 CRUISE CONTROL	60	44 INTERIOR LAMPS	104
Engine Compartment Fuse Box	6	32 ELECTRONIC AUTOMATIC TRANSMISSION	62	46 INTERIOR ILLUMINATION	106
Passenger Compartment Fuse Box	10	33 ACTIVE CORNERING ENHANCEMENT (ACE)	64	47 INSTRUMENTS	110
2 EARTH DISTRIBUTION	14	34 SELF LEVELING AND ANTI-LOCK BRAKING SYSTEM (SLABS)	66	48 CLOCK	114
3 ANTI-THEFT ALARM	20	35 ANTI-LOCK BRAKING SYSTEM (ABS)	70	48 HORN (S)	116
4 CENTRAL DOOR LOCKING	24	36 SUPPLEMENTARY RESTRAINT SYSTEM (SRS)	74	49 ACCESSORY SOCKET	118
5 WINDOWS	28	38 AIR CONDITIONING	76	49 CIGAR LIGHTER	120
Front	28	39 HEATER	80	50 AUDIO SYSTEMS	122
Rear	30	40 HEATED FRONT SCREEN	82	Base and mid line	122
6 SUNROOF	32	40 HEATED REAR WINDOW	84	High Line	124
7 DOOR MIRRORS	34	42 WIPERS AND WASHERS	86	55 NAVIGATION SYSTEMS	128
Folding	36	Front	86	60 HEADER JOINTS	132
8 SEATS	38	Rear	88	65 SPLICES AND CENTRE TAPS	142
Heated	42	43 EXTERIOR LAMPS	90	75 PARK DISTANCE CONTROL (PDC)	148
10 DIAGNOSTIC SOCKET	44	Head, side and tail lamps	90	80 TRAILER SOCKET	150
11 BODY CONTROL UNIT	46	Headlamp levelling	92		
15 CHARGING AND STARTING	50	Lights on alarm	94		
V8	50	Direction indicator lamps/hazard warning	96		
20 ENGINE MANAGEMENT SYSTEM	52	Brake and reverse lamps	98		
V8	52	Fog lamps - Front	100		
22 COOLING FANS	56	Fog lamps - Rear	102		
25 SHIFT INTERLOCK	58				

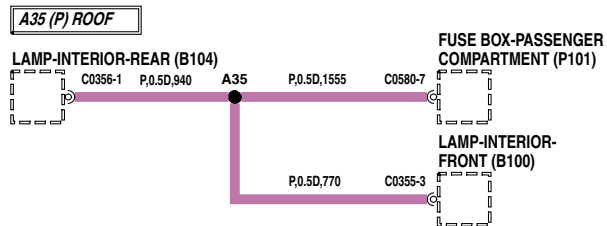
HOW TO USE THE CIRCUIT DIAGRAMS

All of the information in this publication is intended for use in conjunction with the Electrical Library, which can be found on RAVE.

The circuit diagrams are presented with Power and Earth distribution first, followed by individual circuits for each electrical system on the vehicle.

Power Distribution

The Power Distribution diagram shows the connections from the battery to the engine, passenger, and where applicable, rear fuse box. It also shows the internal circuitry of the fuse boxes.



M86 5963

The fuse box details are followed by independent functionally specific circuits and then a splices and centre taps section outlining the way in which internal harness splices and centre taps distribute power in the harnesses. This information should be used during diagnosis of electrical faults to check for symptoms in associated circuits and narrow down the search area.

Earth Distribution

The earth distribution section comprises a number of Headers and Splices circuits. These are used in a similar manner to those in Power Distribution; to narrow the search area by checking for fault symptoms in associated circuits.

Splices and centre taps

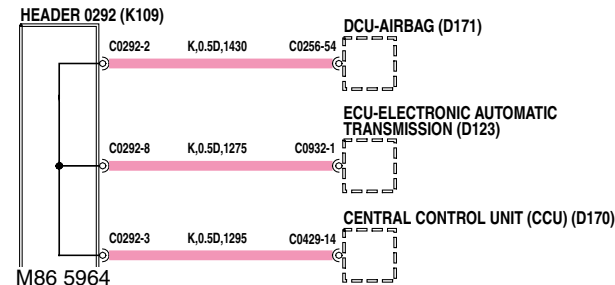
Header and splice tables present the joint(s) and wiring up to the first component. Splices are identified by a number with an alphabetical prefix and the wire colour.

The splice information shown on individual system circuits is not complete. Always refer to the splices circuit for complete information on each splice.

Wire length (Power & Earth Distribution only)

The length of the wire is shown in millimetres. This can be used to locate internal harness splices; look for the shortest wire between the joint and connector. For example, it can be seen that C0580-7 is 1555mm from joint A35.

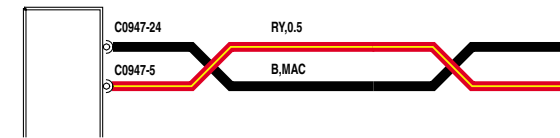
Connectors



M86 5964

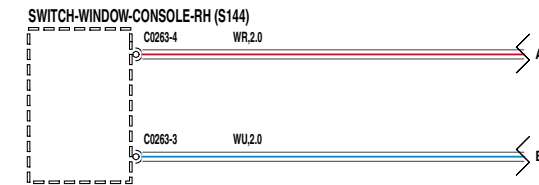
Header joints are identified by their corresponding connector number with a numbered suffix to indicate the pin-out detail of the wire, i.e. C0292-1 identifies connector 292, pin number 1. Wire insulation colour is identified in the normal way. Where wires have a predominant colour with a secondary colour tracer, the main colour is identified first, i.e. LGS - Light Green with a Slate tracer.

Line Types



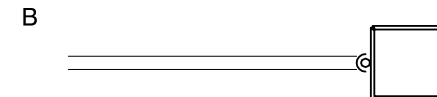
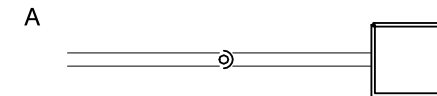
M86 5967

This denotes the wires are a twisted pair.



M86 5968

These page break symbols indicate the circuit continues on later pages.



86M4230A

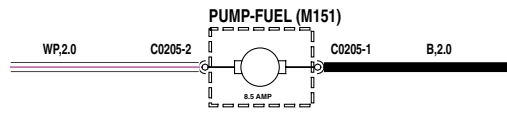
The cup and ball symbol indicates the male and female halves of connector.

A. Plug on lead (Flylead) wired directly to the component.

B. Connector plugs directly into component.

HOW TO USE THE CIRCUIT DIAGRAMS

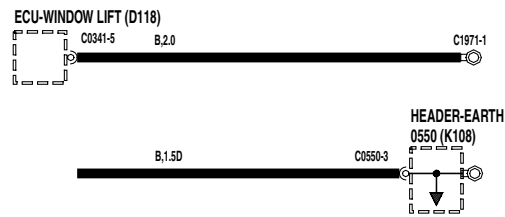
Components



M86 5965

The name or description of the component is shown. A dotted outline indicates that the component is not shown in its entirety.

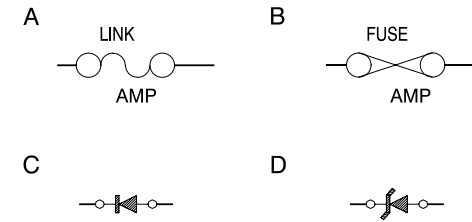
Earth points



M86 5966

Earth points are identified with an eyelet symbol and a connector number, except where components are grounded through their fixings, when only the eyelet is shown.

Fuses and Diodes



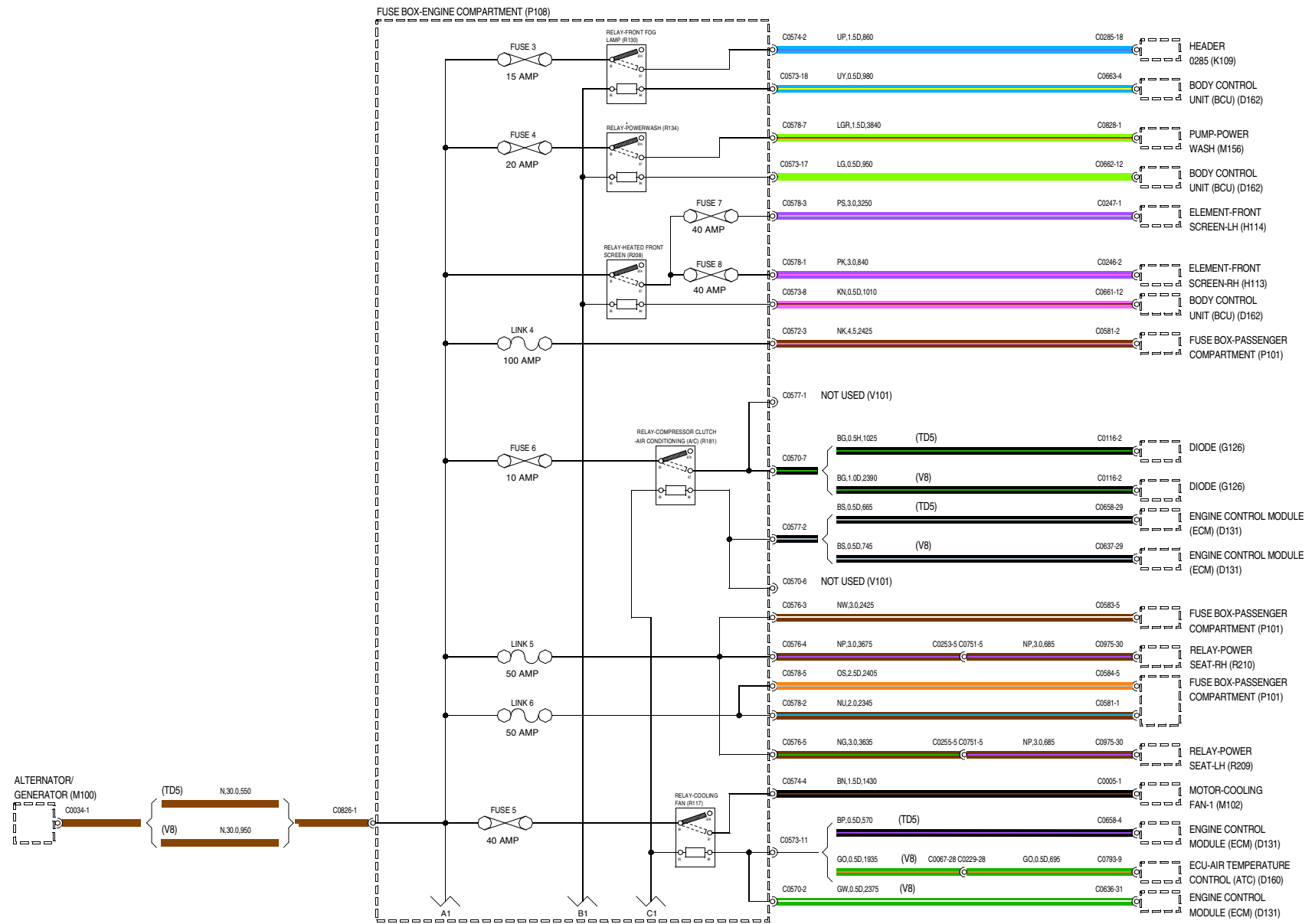
86M4234A

Fusible links (A) and current rated fuses (B) are identified as shown.

The direction of the arrow in a Diode symbol (C) indicates the direction of current flow. The Zener diode (D) - prevents current flow until a precise voltage is reached.

1 POWER DISTRIBUTION

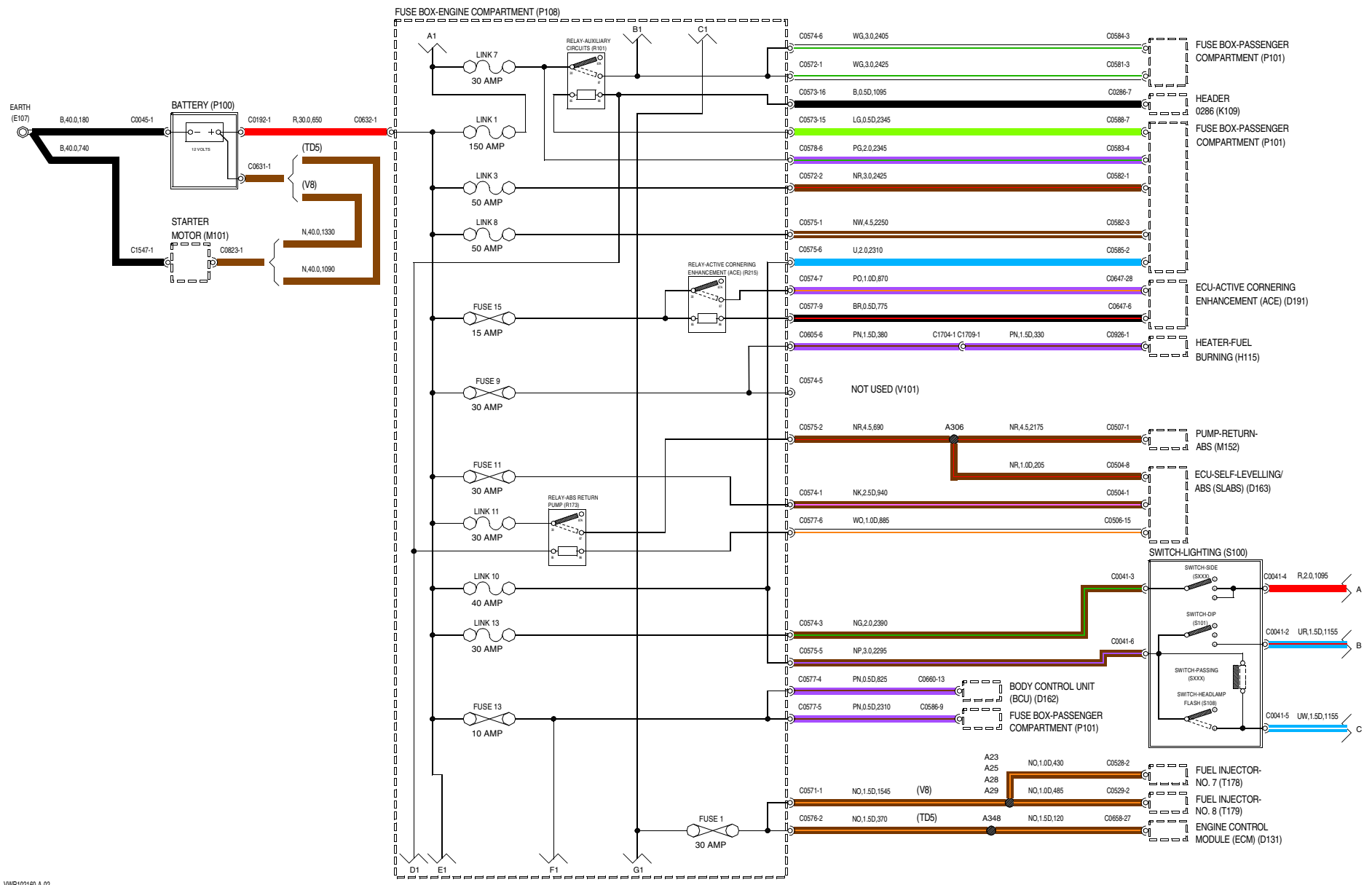
Engine Compartment Fuse Box



WR102180-4-01

1 POWER DISTRIBUTION

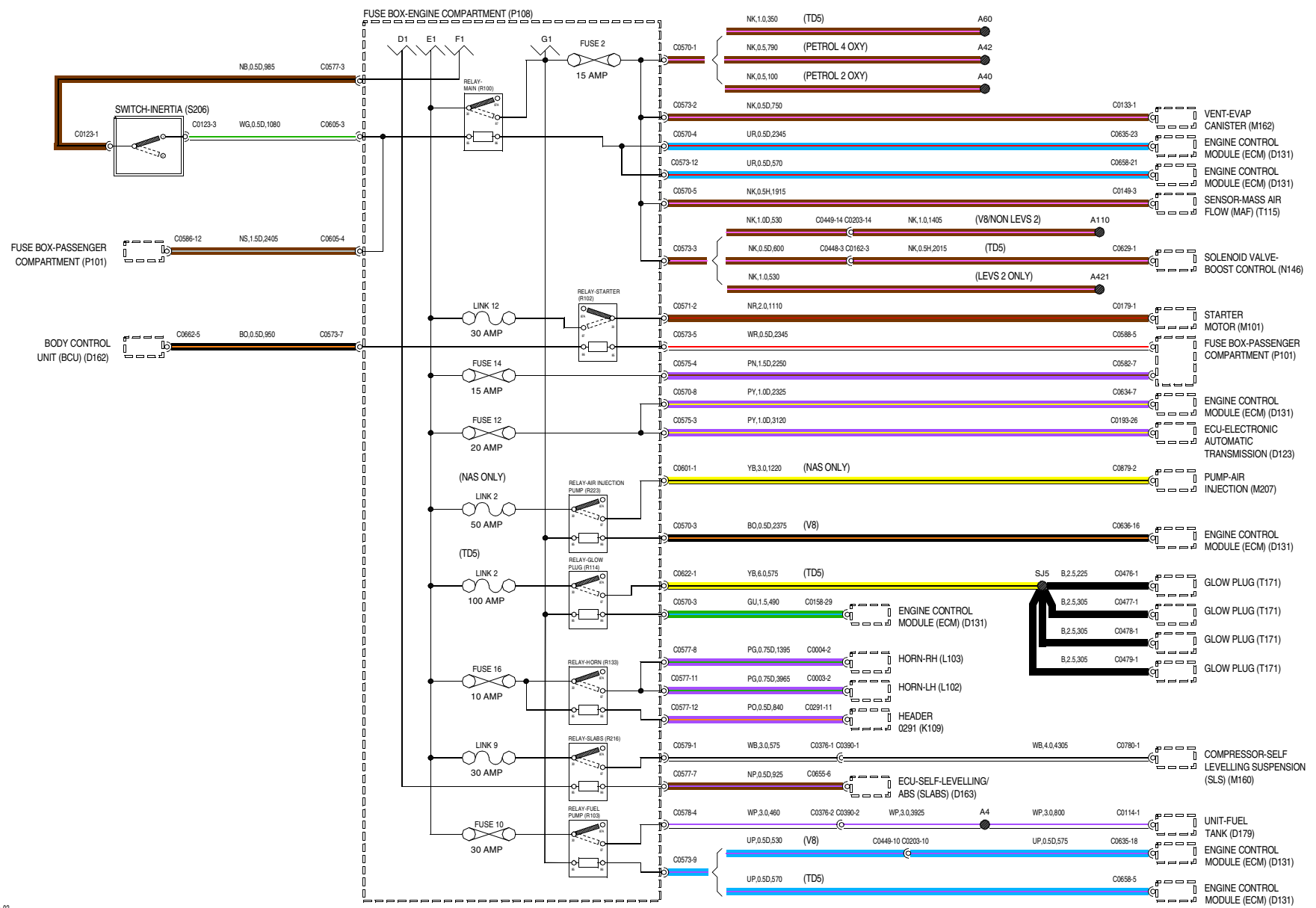
Engine Compartment Fuse Box



WVR102160-A-02

1 POWER DISTRIBUTION

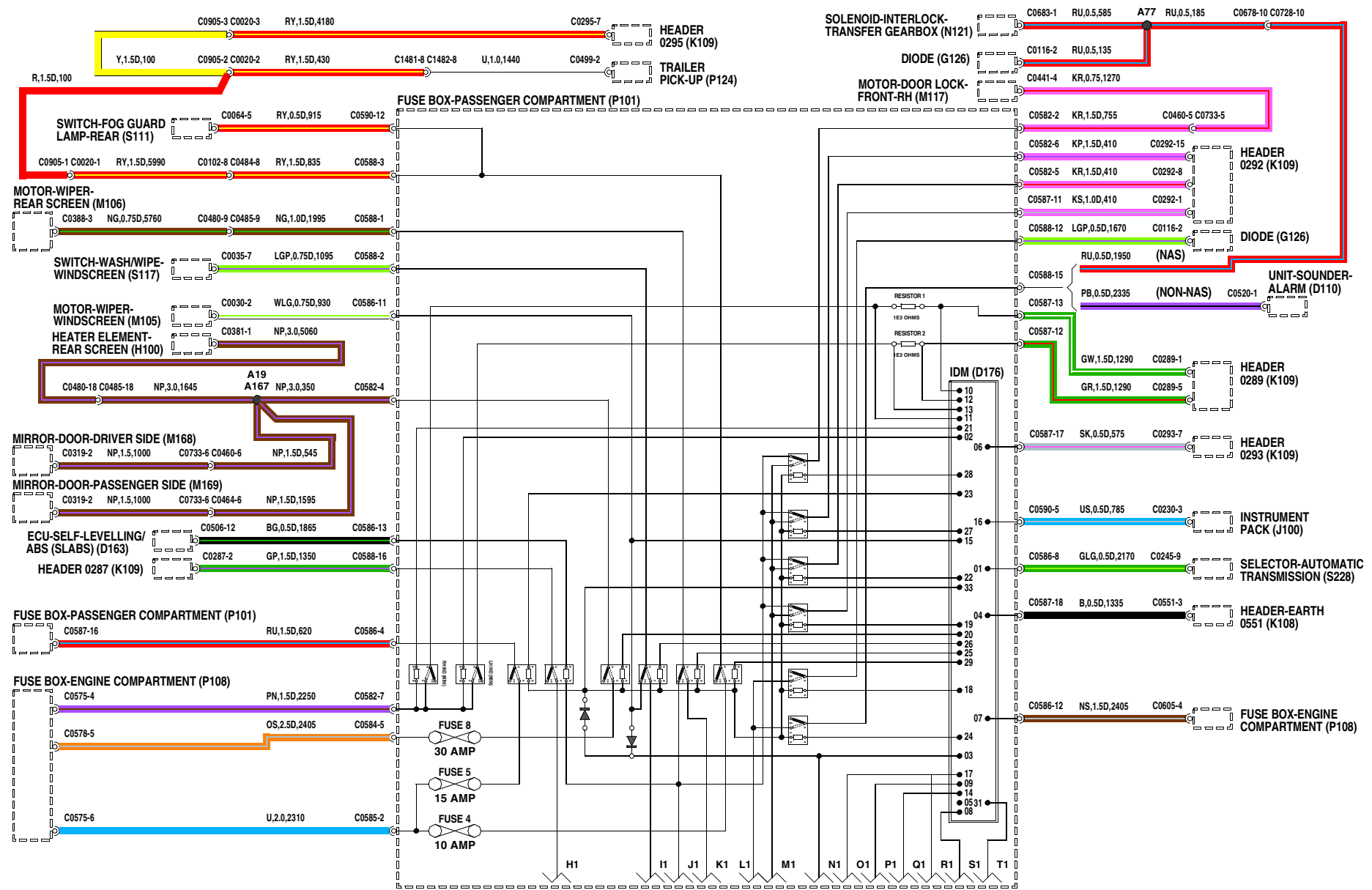
Engine Compartment Fuse Box



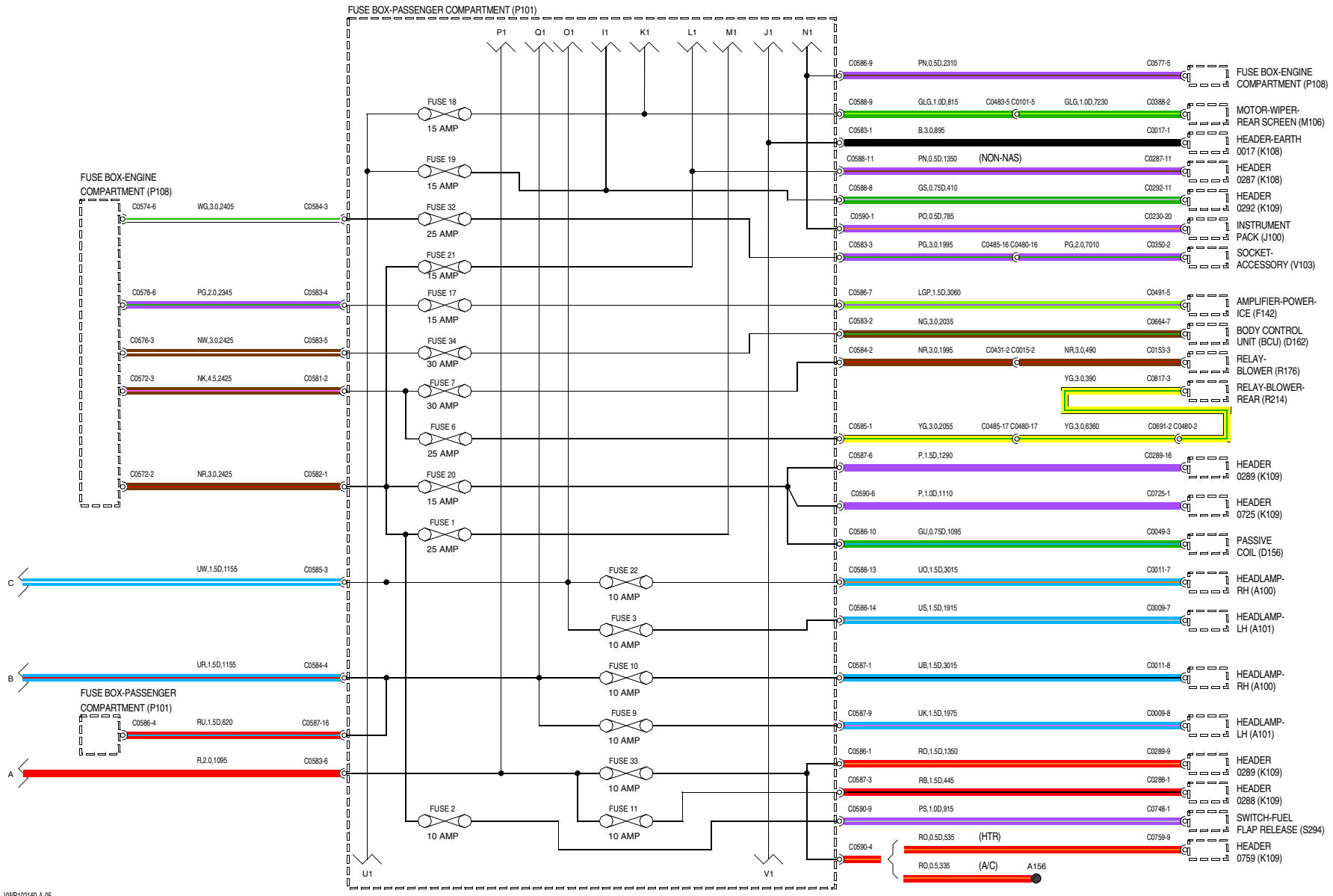
WVR102160-A-03

1 POWER DISTRIBUTION

Passenger Compartment Fuse Box



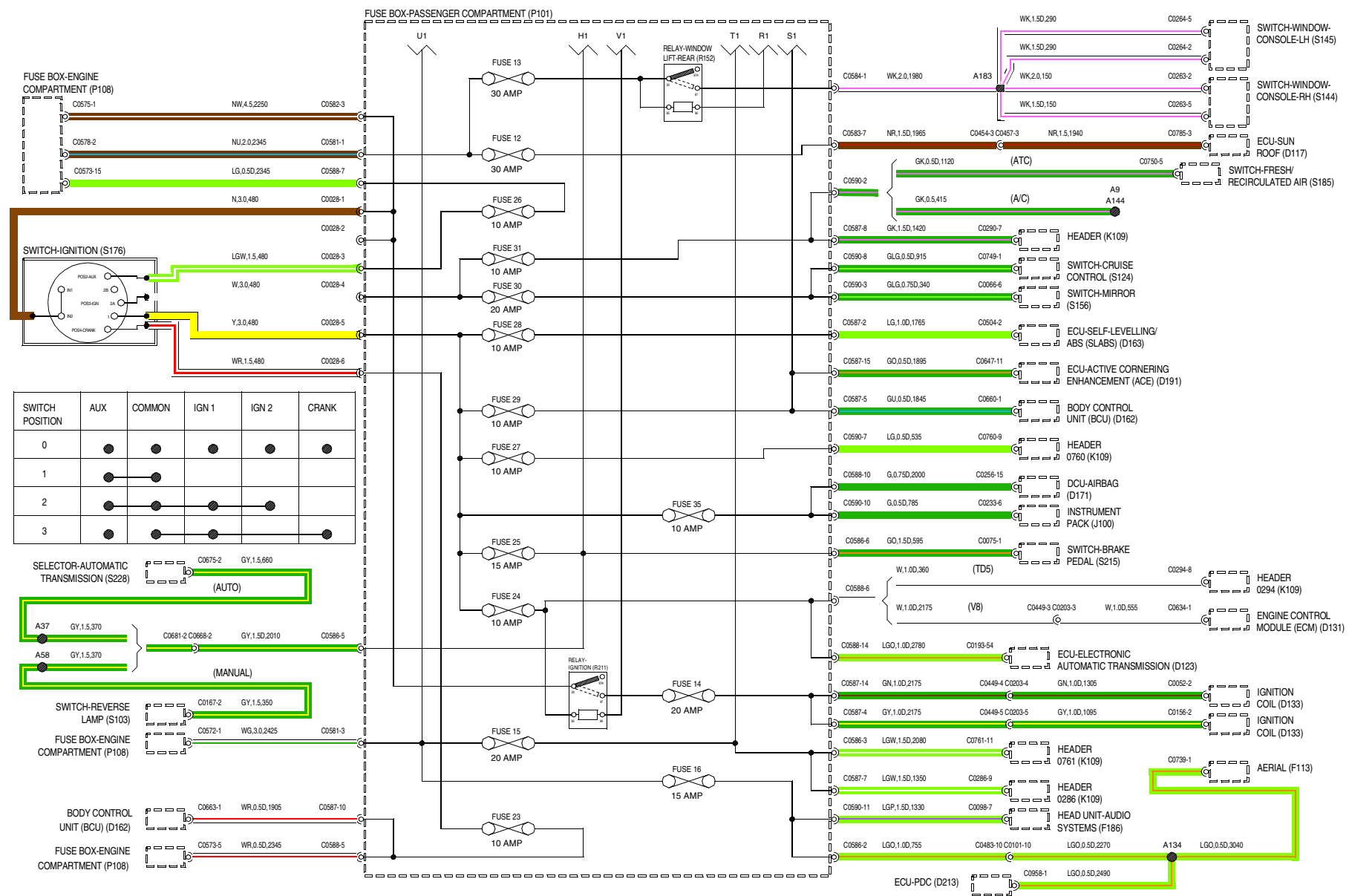
WVR102160-A-04



WWR102160-A-05

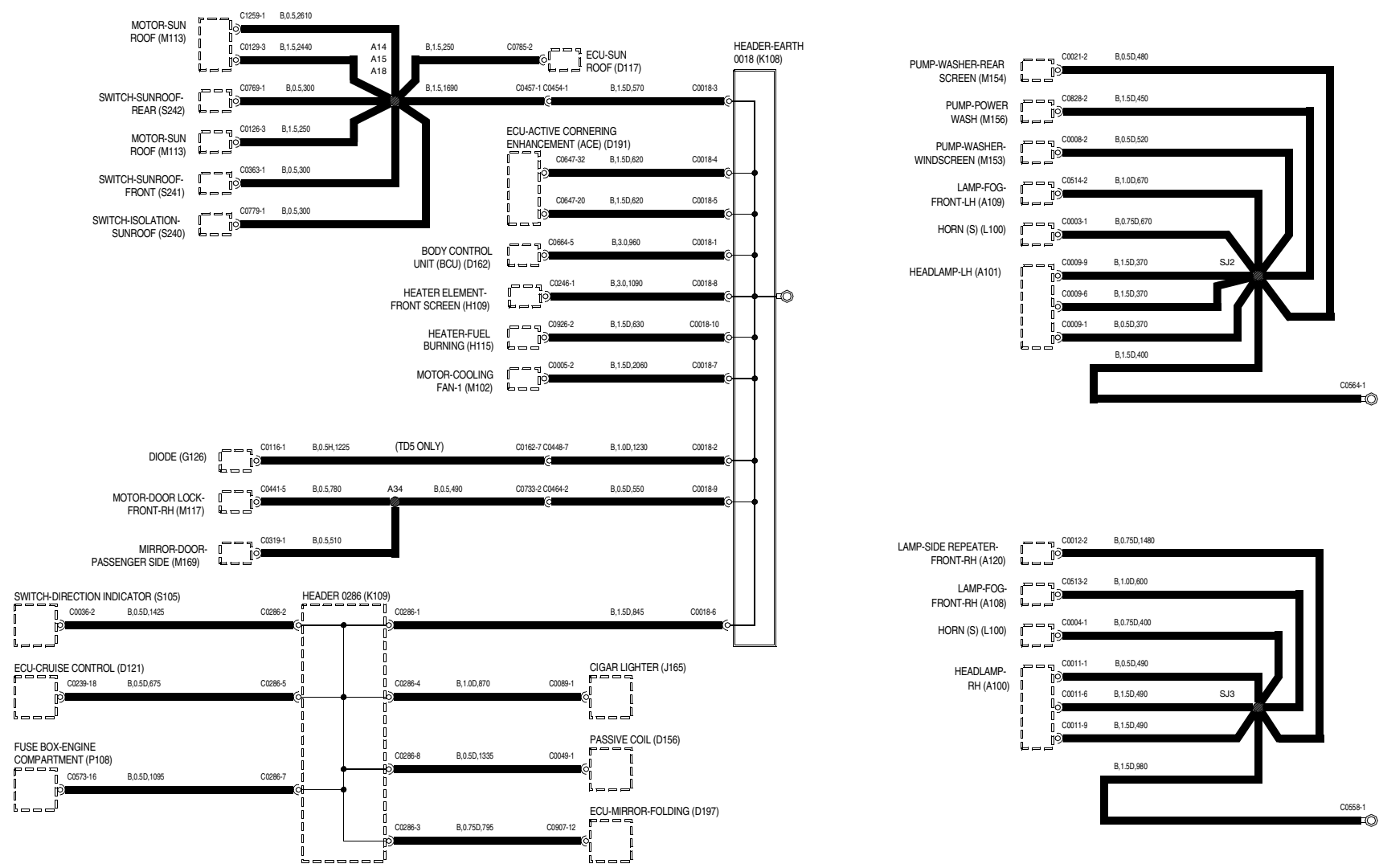
1 POWER DISTRIBUTION

Passenger Compartment Fuse Box



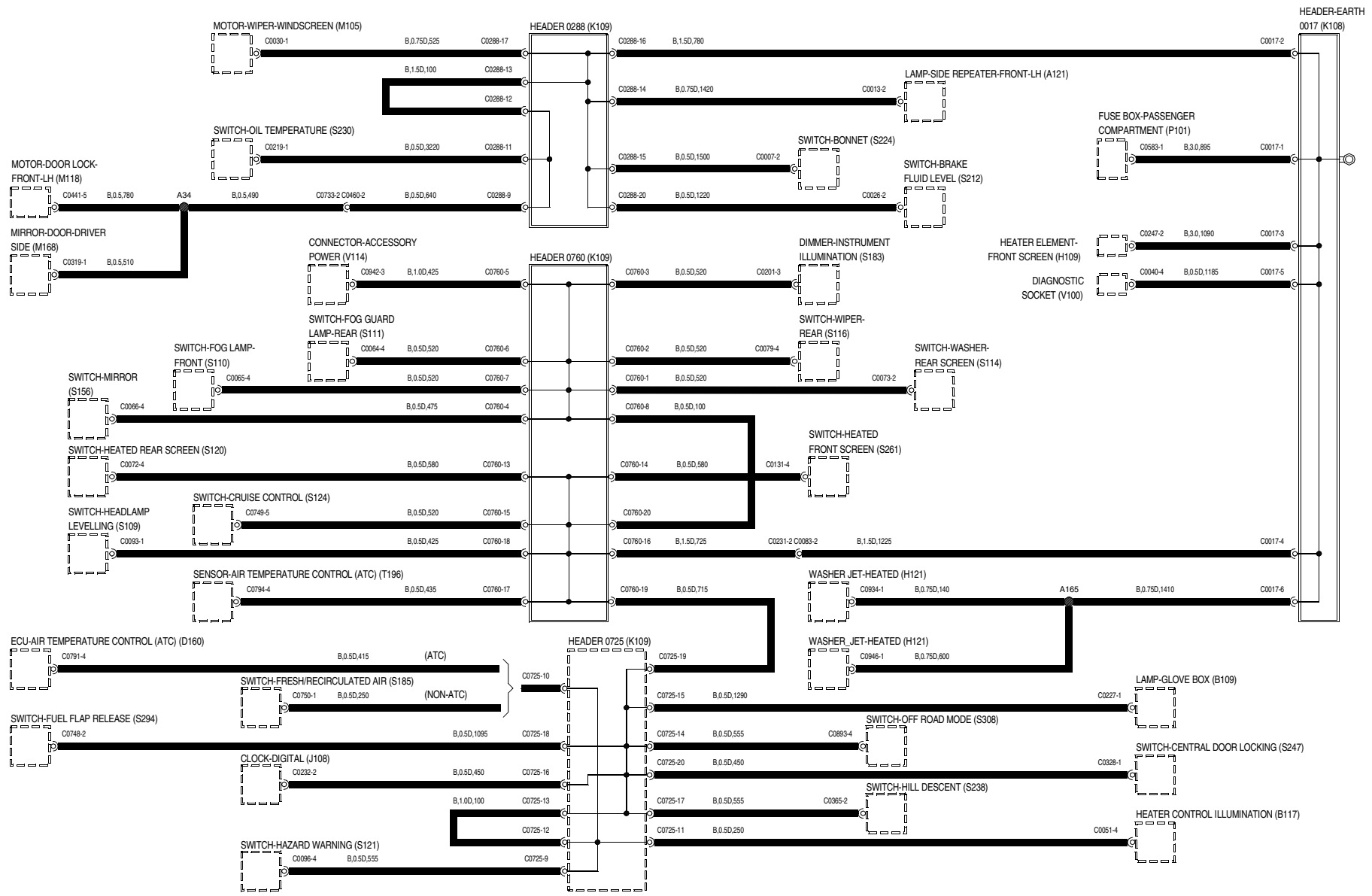
WVR102160-A-06

2 EARTH DISTRIBUTION



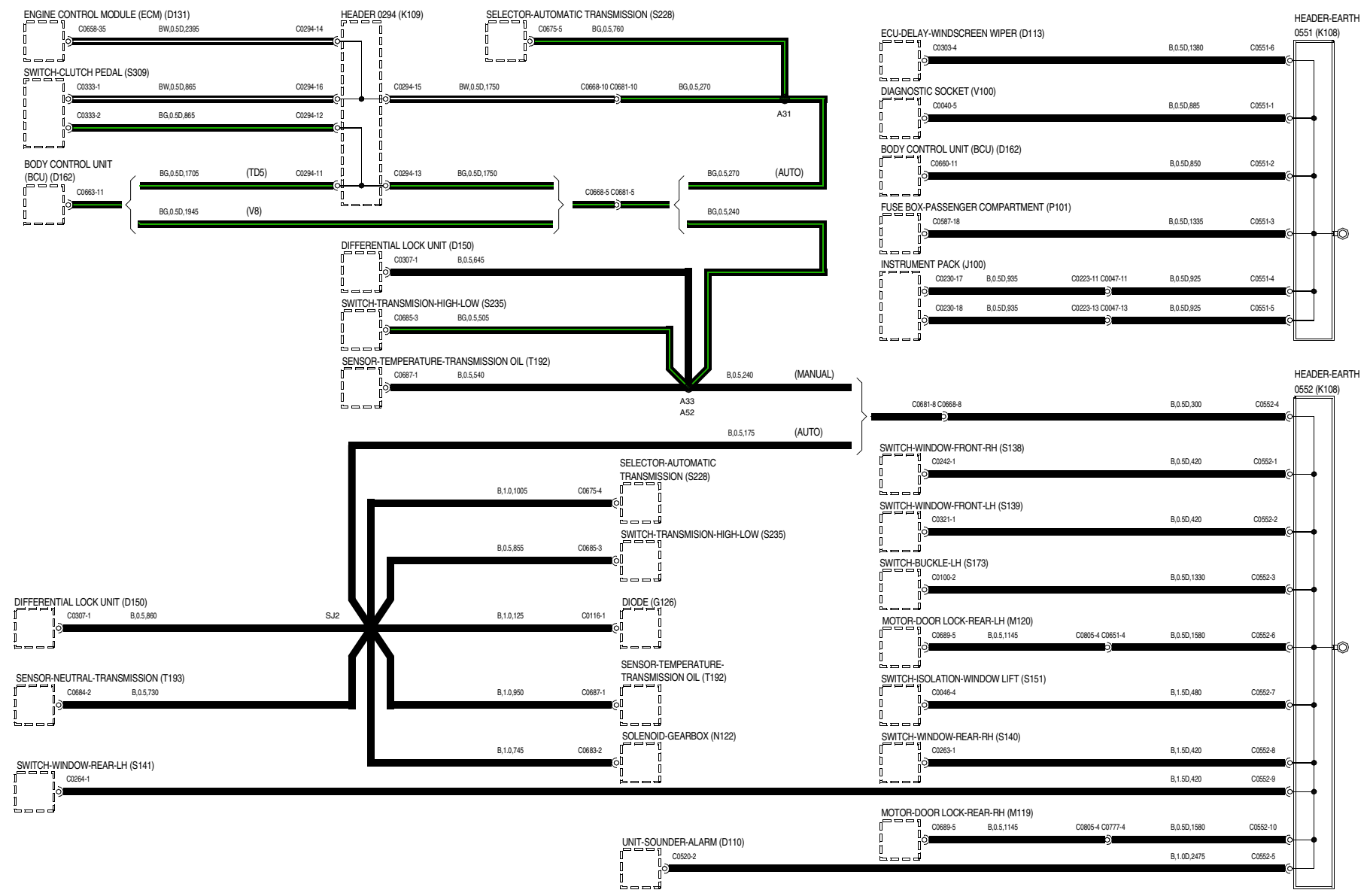
WR102170-4-01

2 EARTH DISTRIBUTION



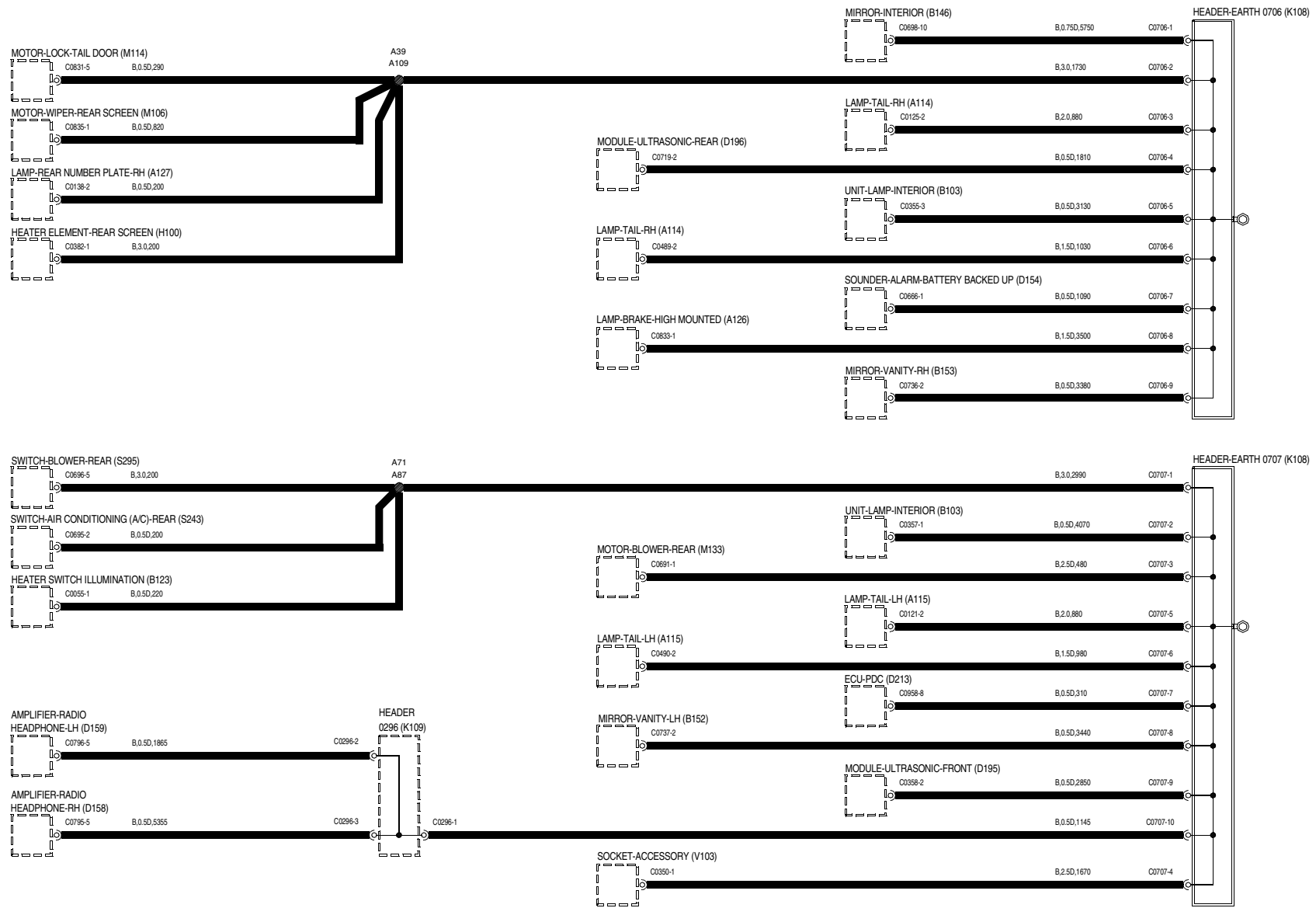
WVR102170-A-02

2 EARTH DISTRIBUTION



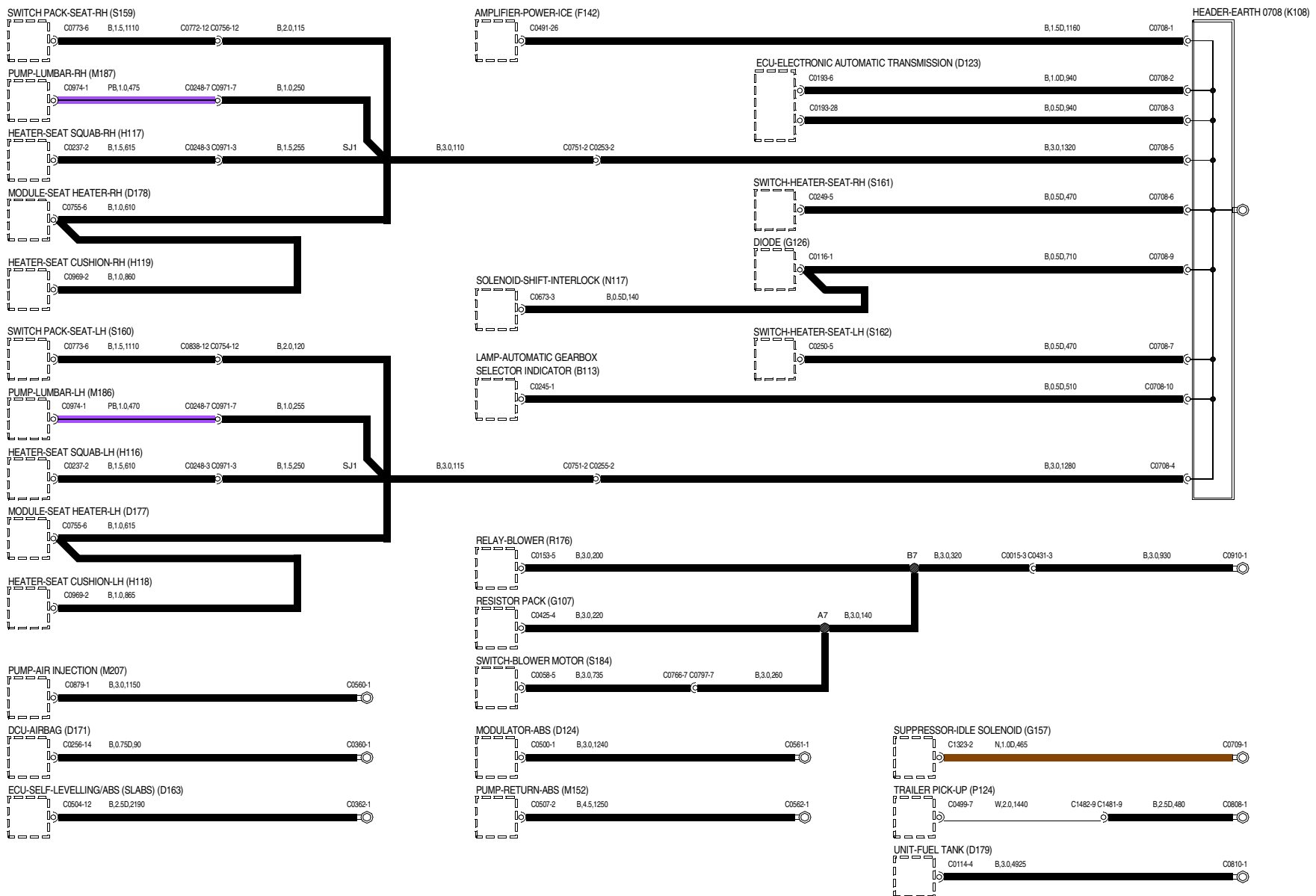
WVR102170-A-03

2 EARTH DISTRIBUTION



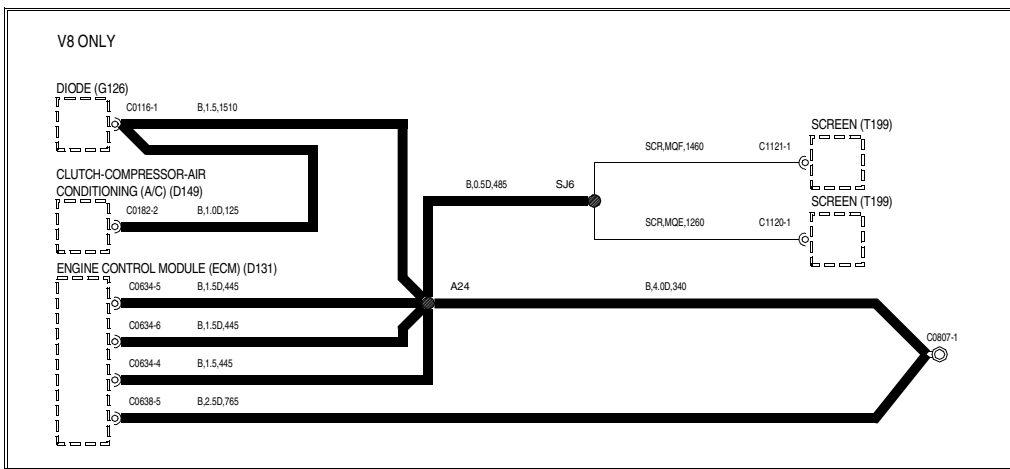
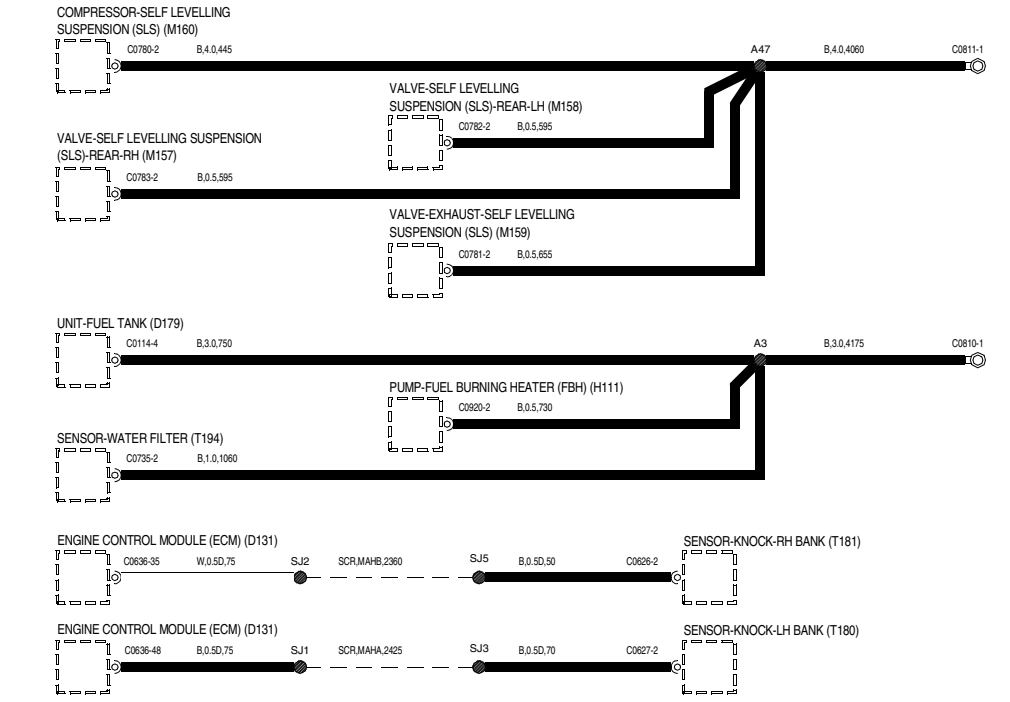
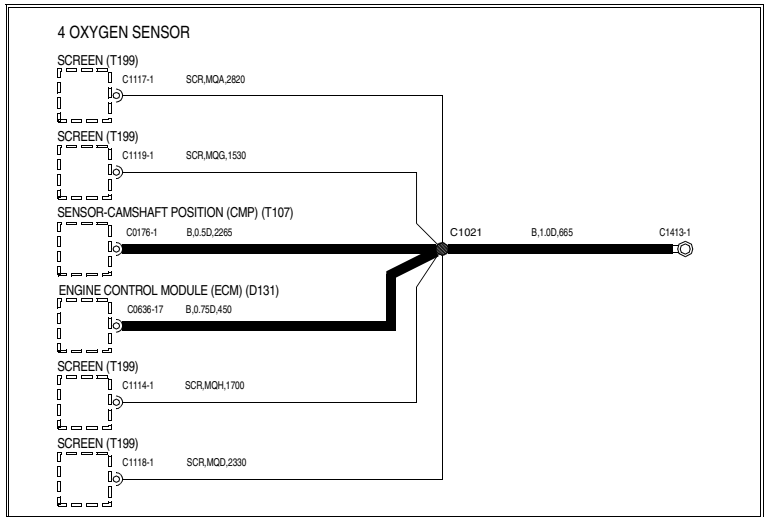
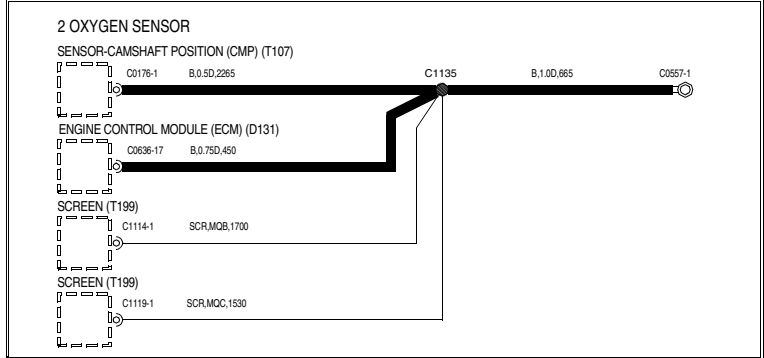
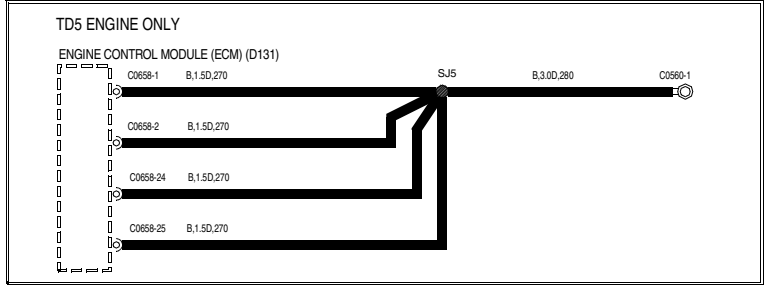
WVR102170-A-05

2 EARTH DISTRIBUTION



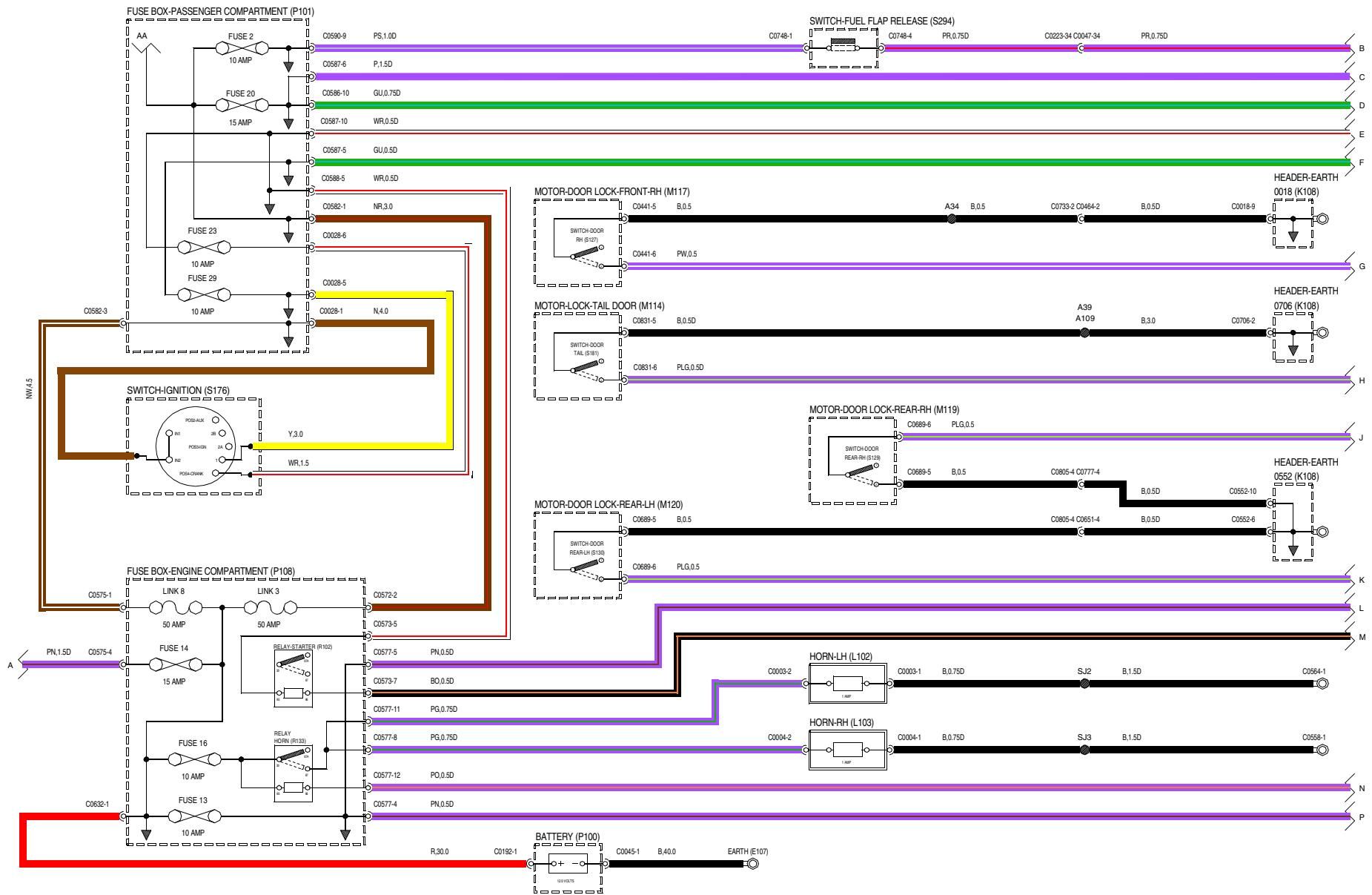
WVR102170-A-06

2 EARTH DISTRIBUTION



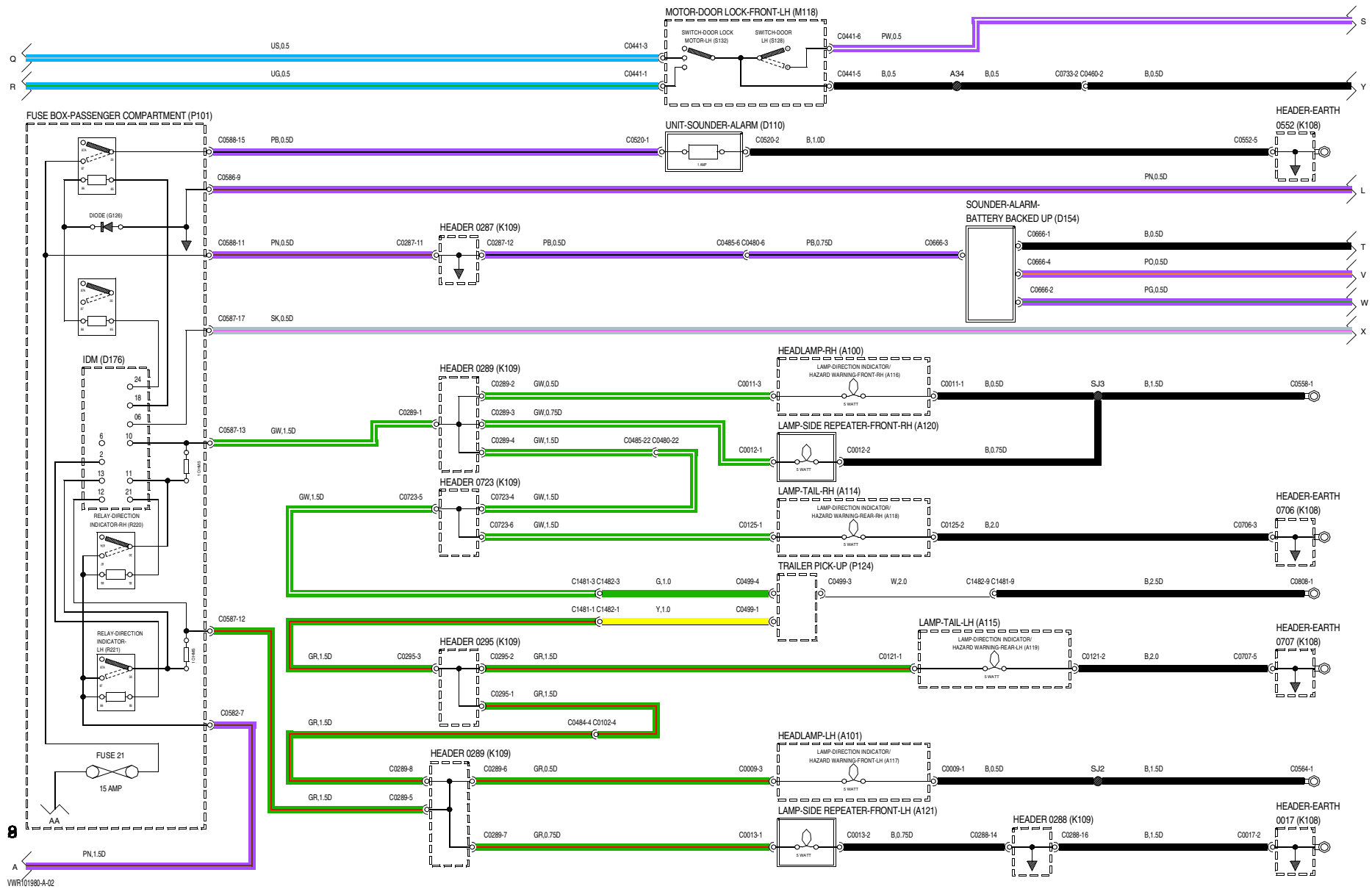
WVR102170-A-07

3 ANTI-THEFT ALARM

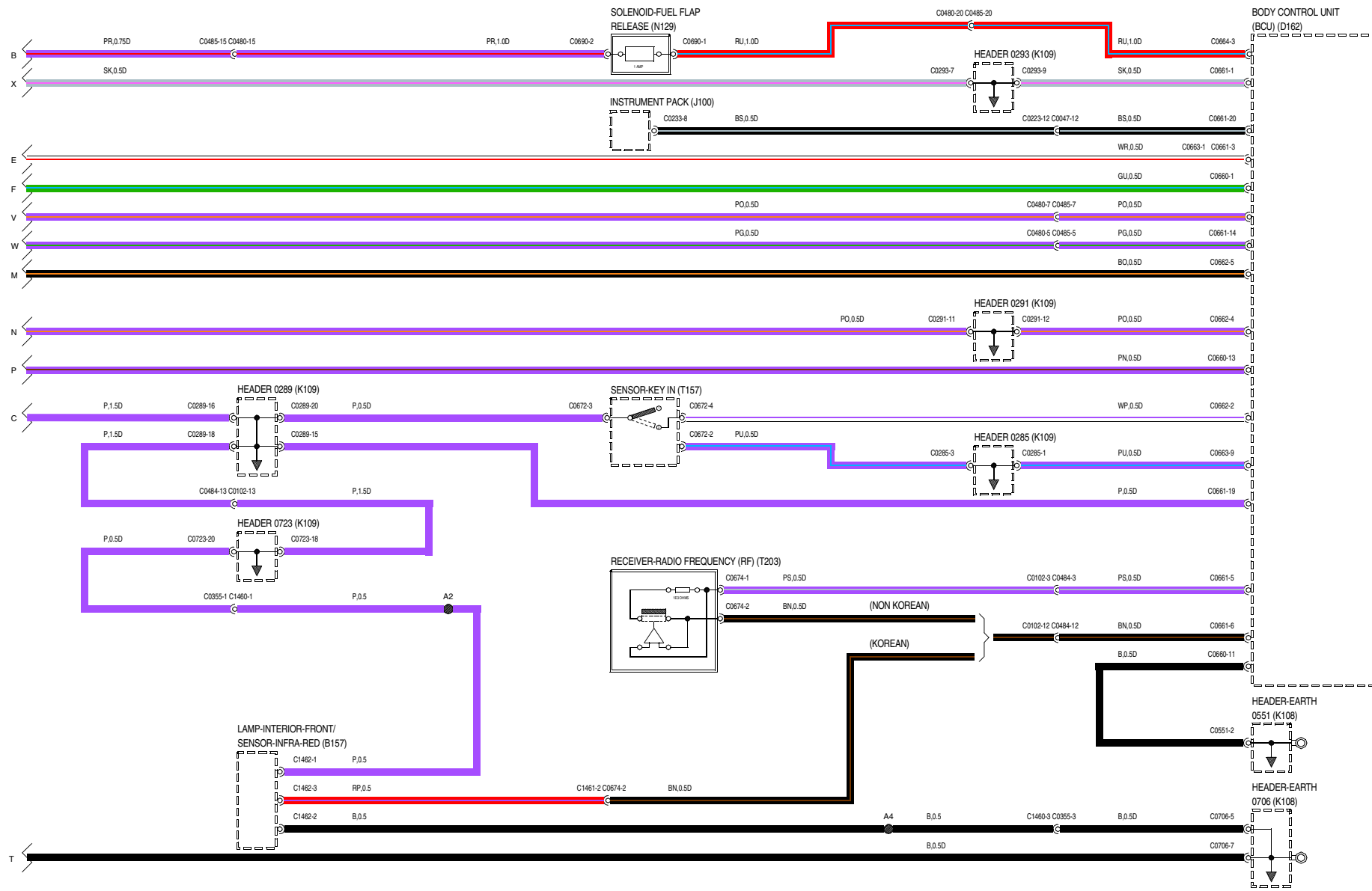


WVR101980-4-01

3 ANTI-THEFT ALARM

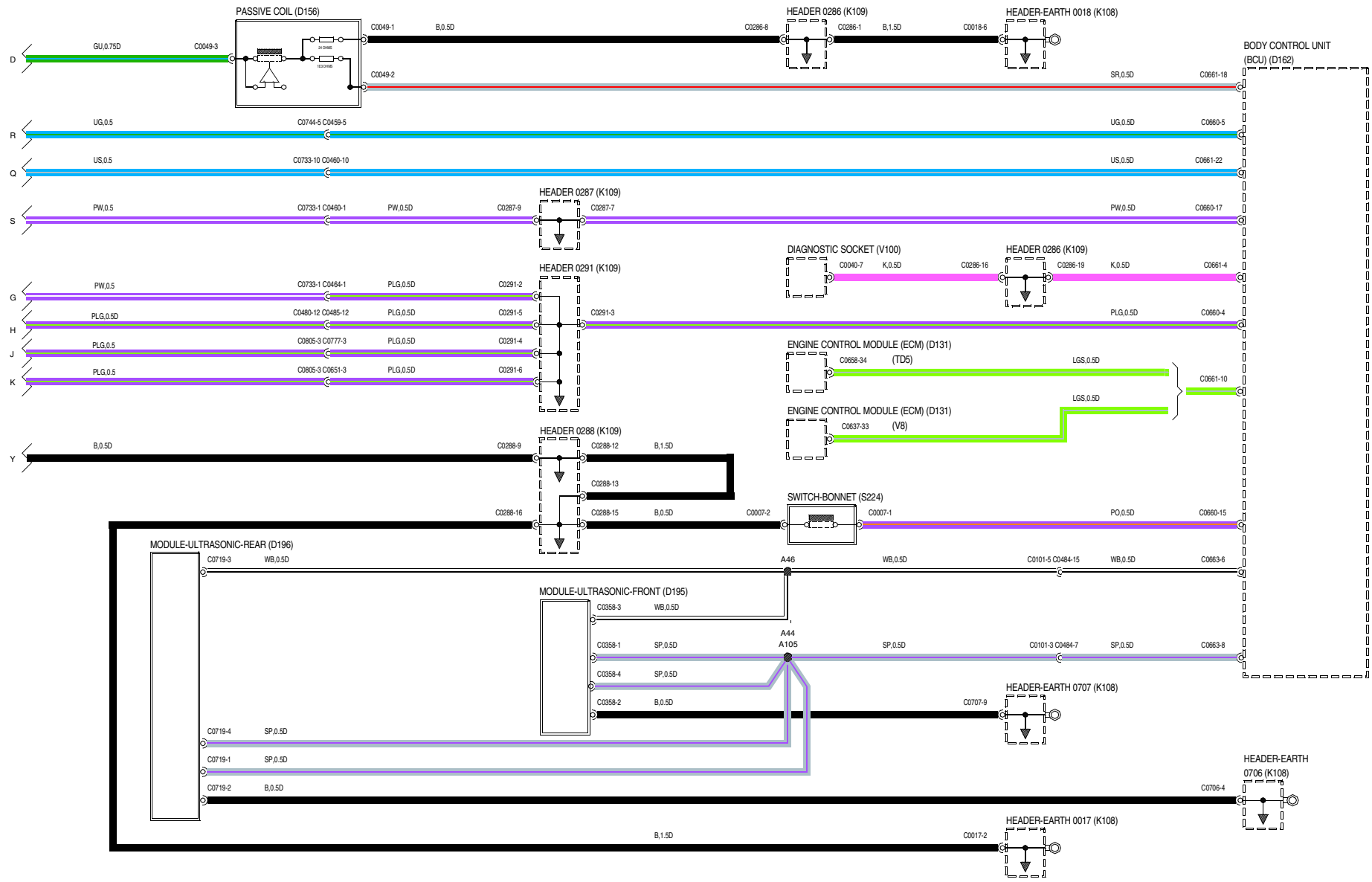


3 ANTI-THEFT ALARM



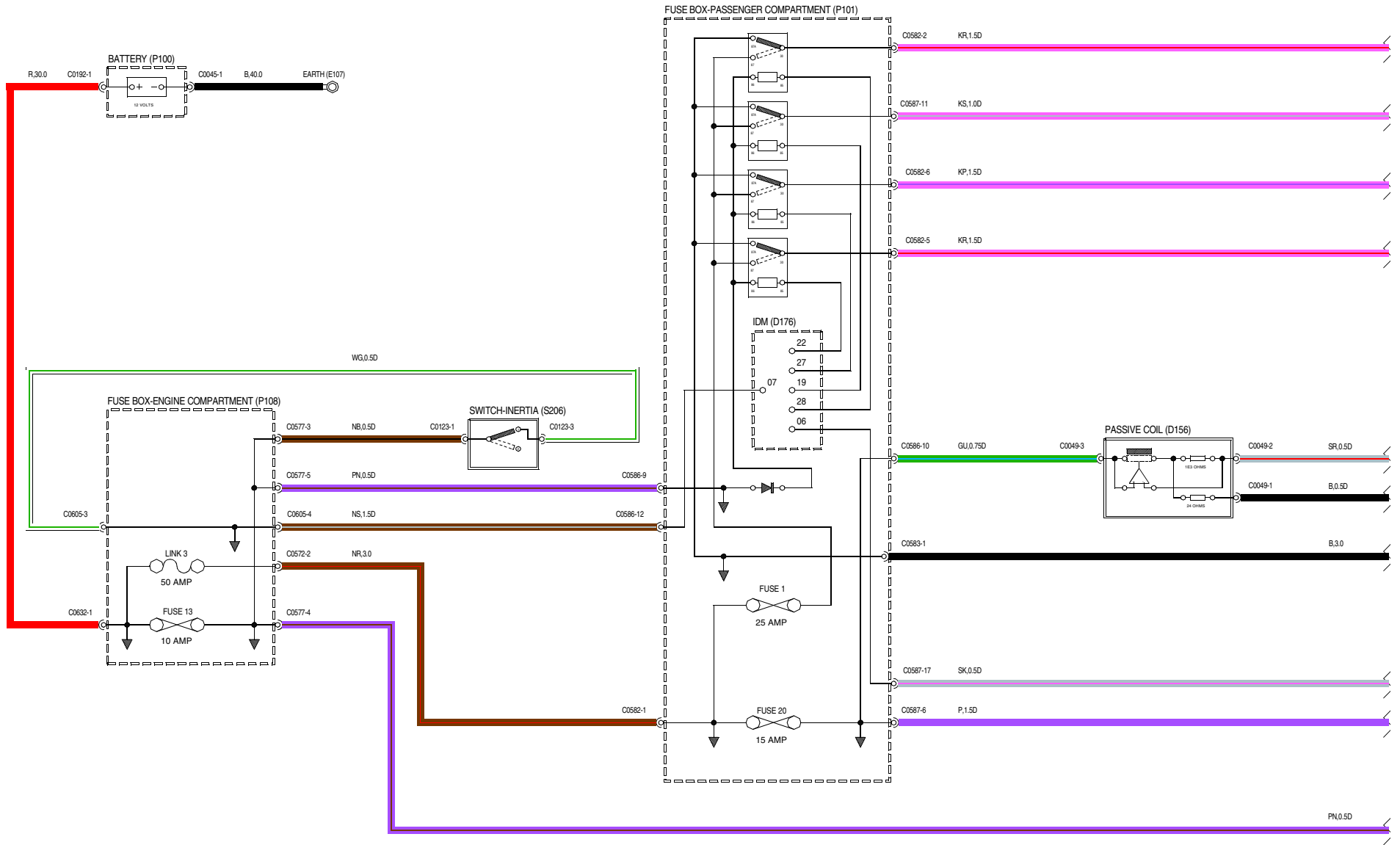
WVR101980-A-03

3 ANTI-THEFT ALARM



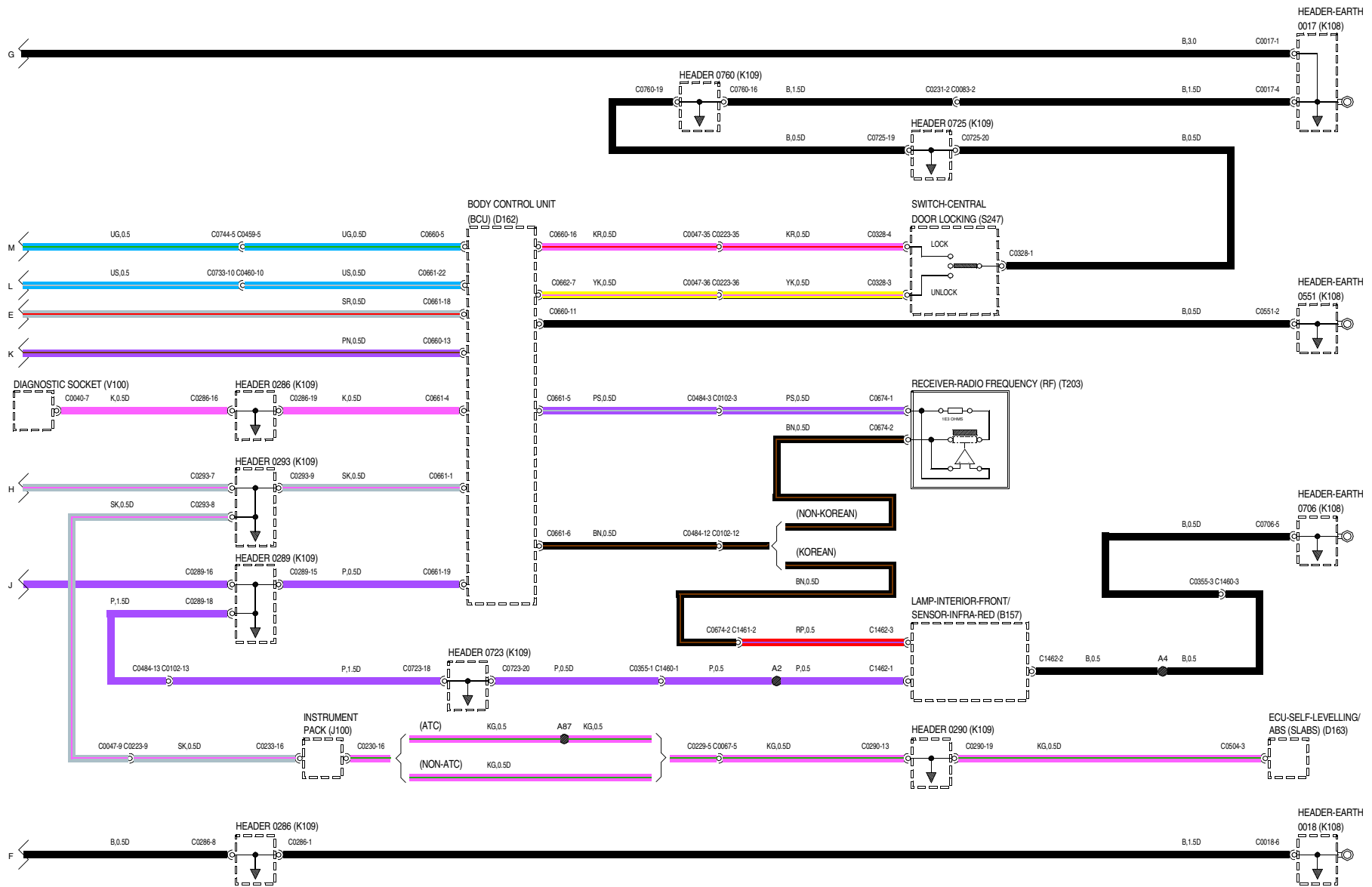
WVR101980-A-04

4 CENTRAL DOOR LOCKING



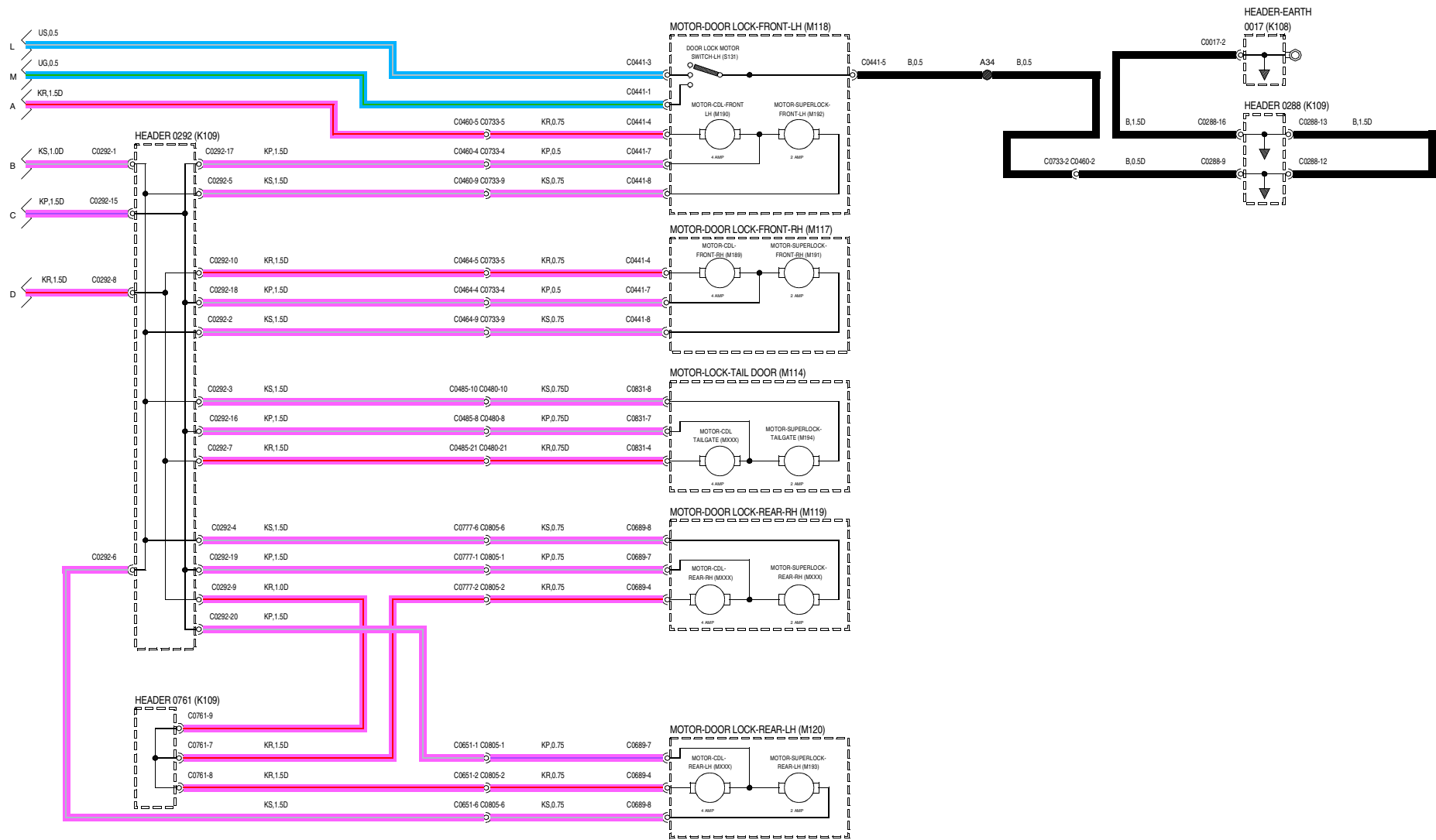
1108180-A-01

4 CENTRAL DOOR LOCKING



WVR108180-A-02

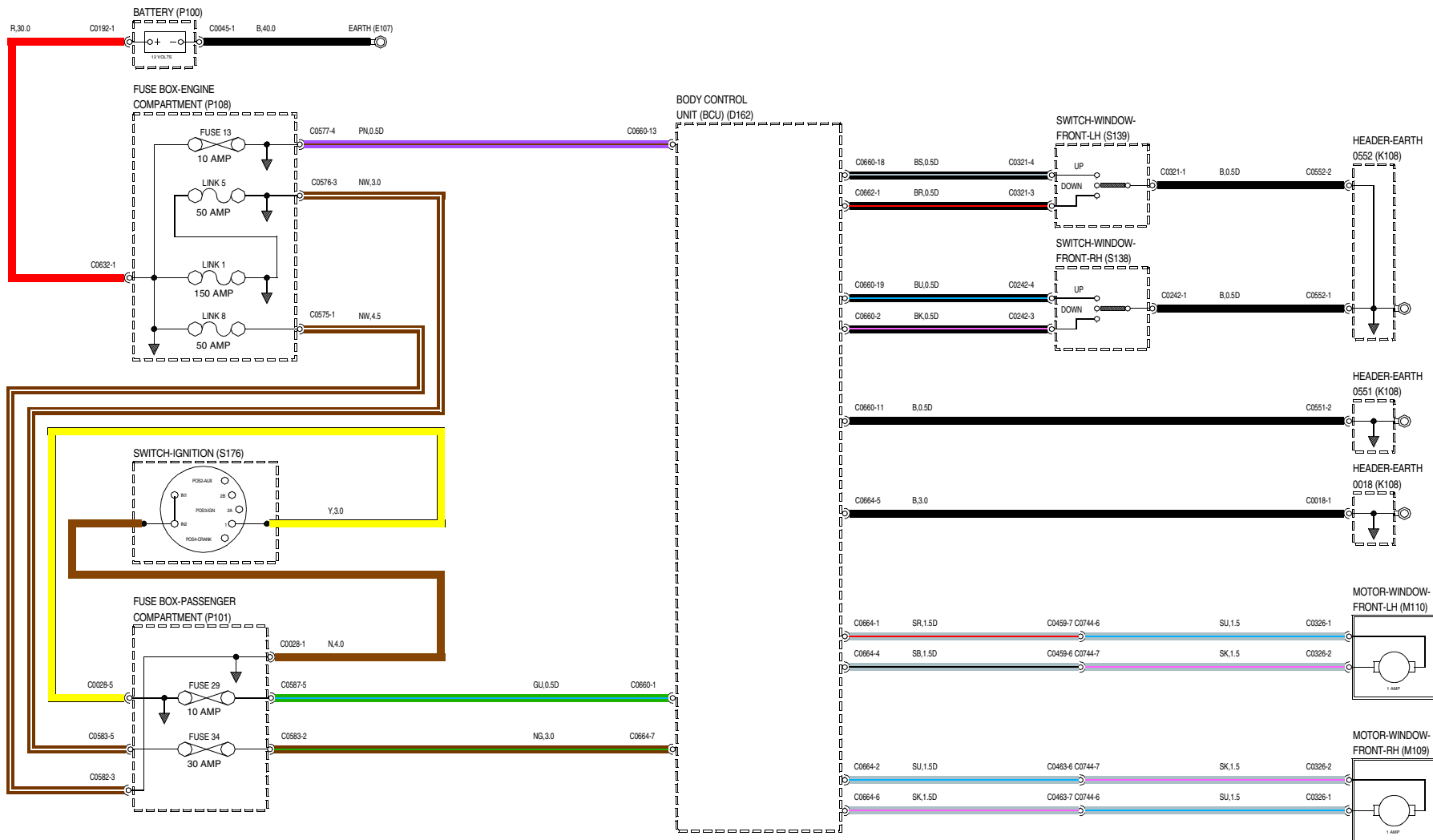
4 CENTRAL DOOR LOCKING



WVR108180-A-03

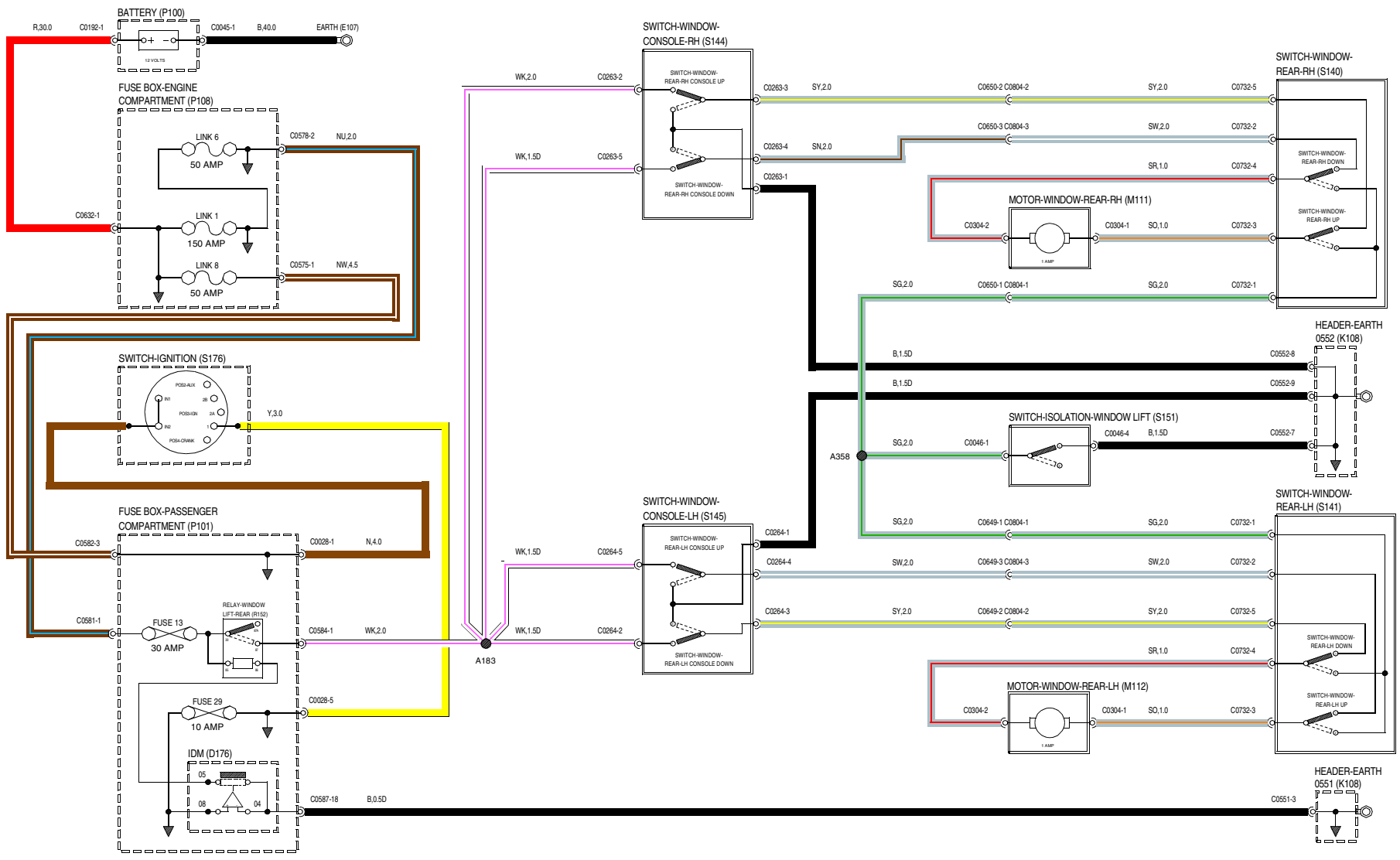
5 WINDOWS

Front



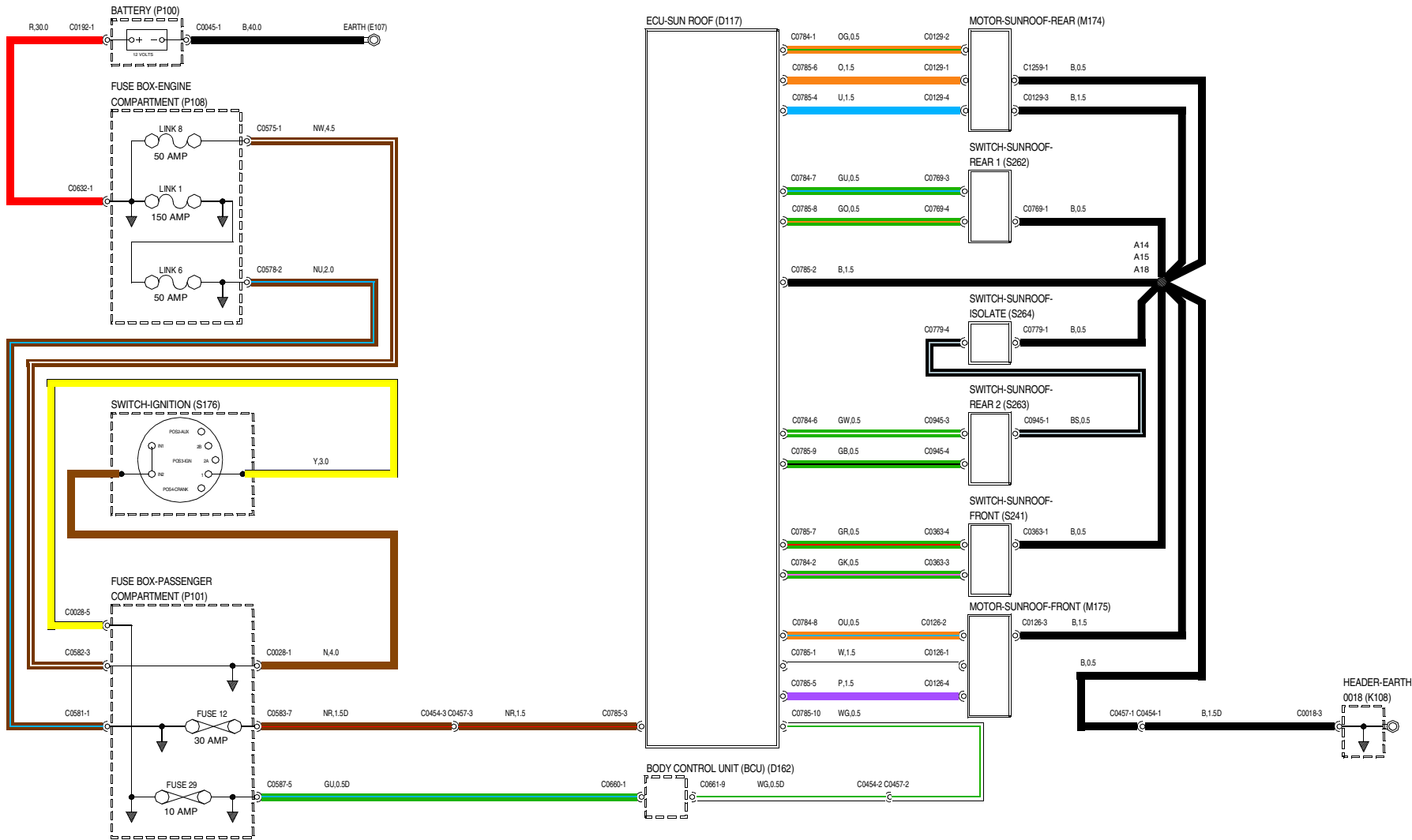
WVR102140-4-01

5 WINDOWS



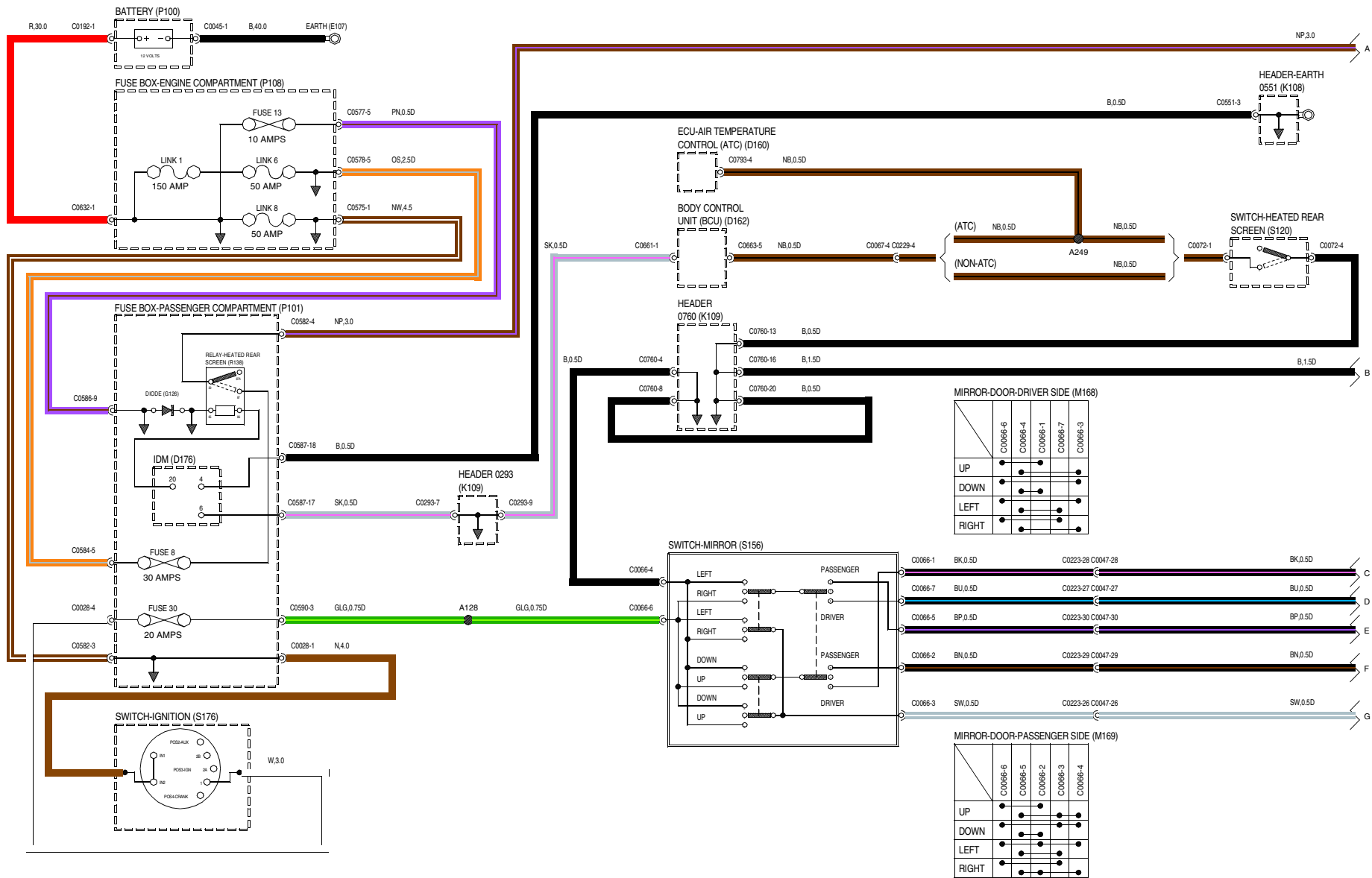
WRI10420-4-01

6 SUNROOF



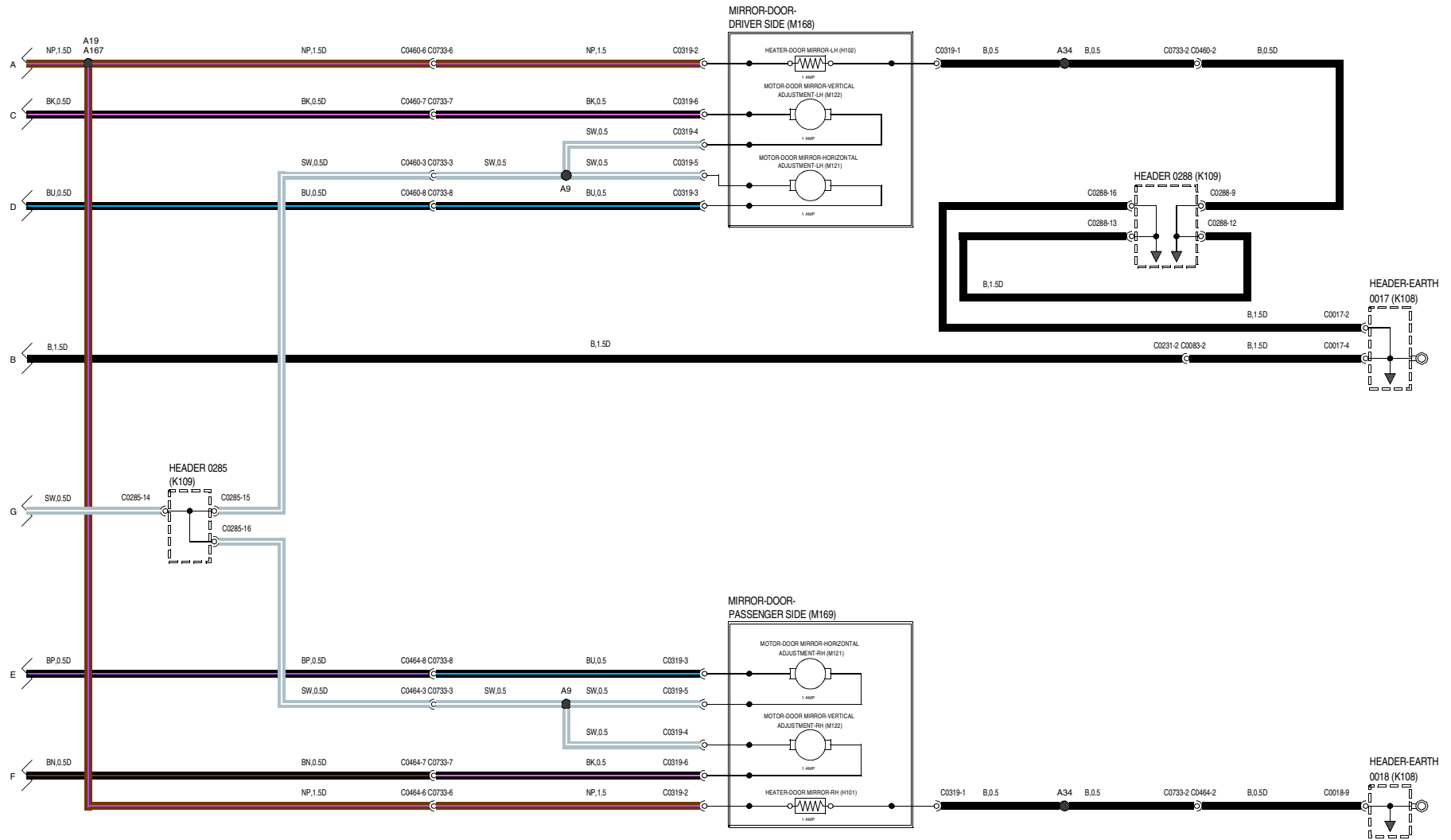
WR102130-4-01

7 DOOR MIRRORS



WVR102100-4-01

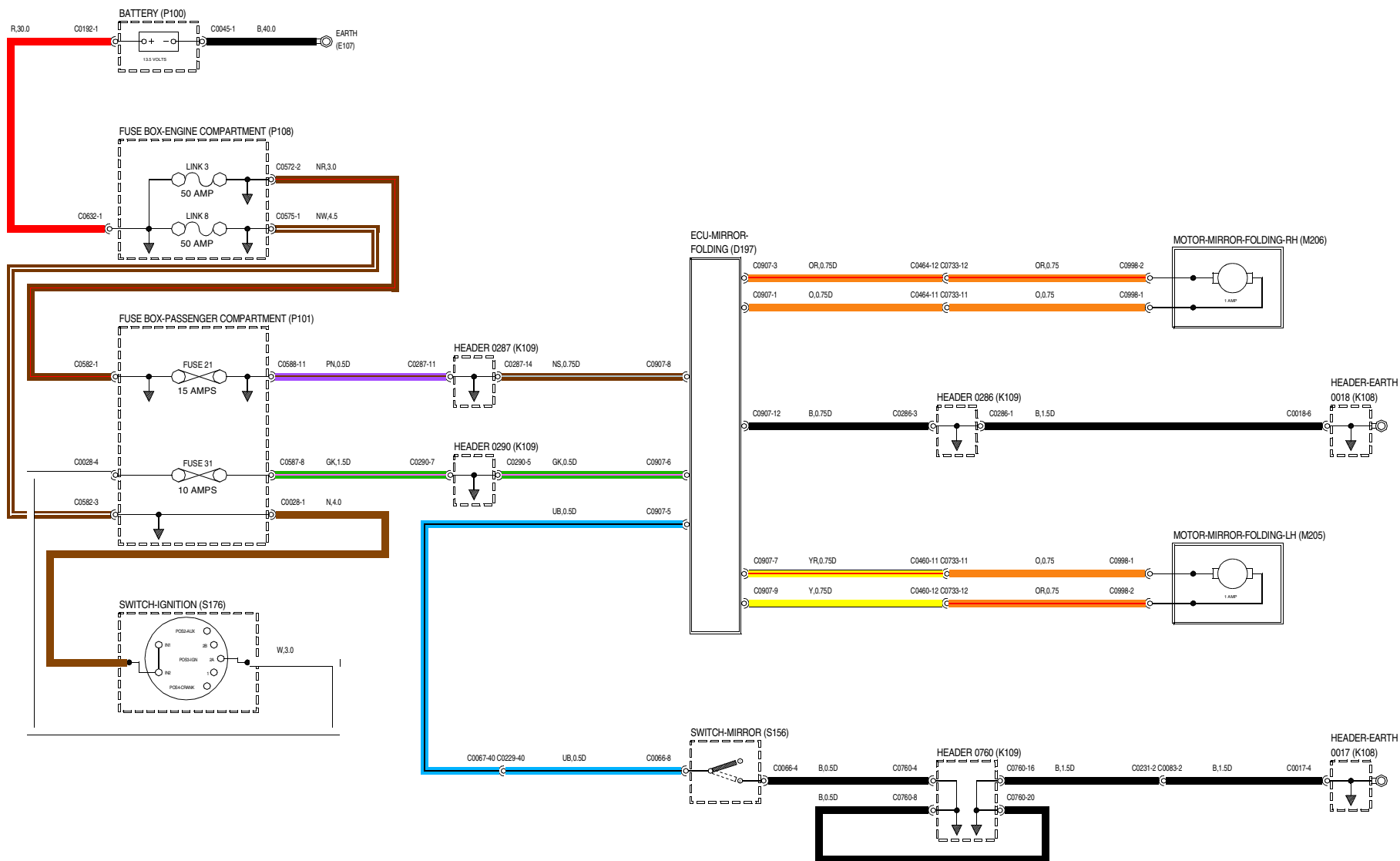
7 DOOR MIRRORS



WVR102100-A-02

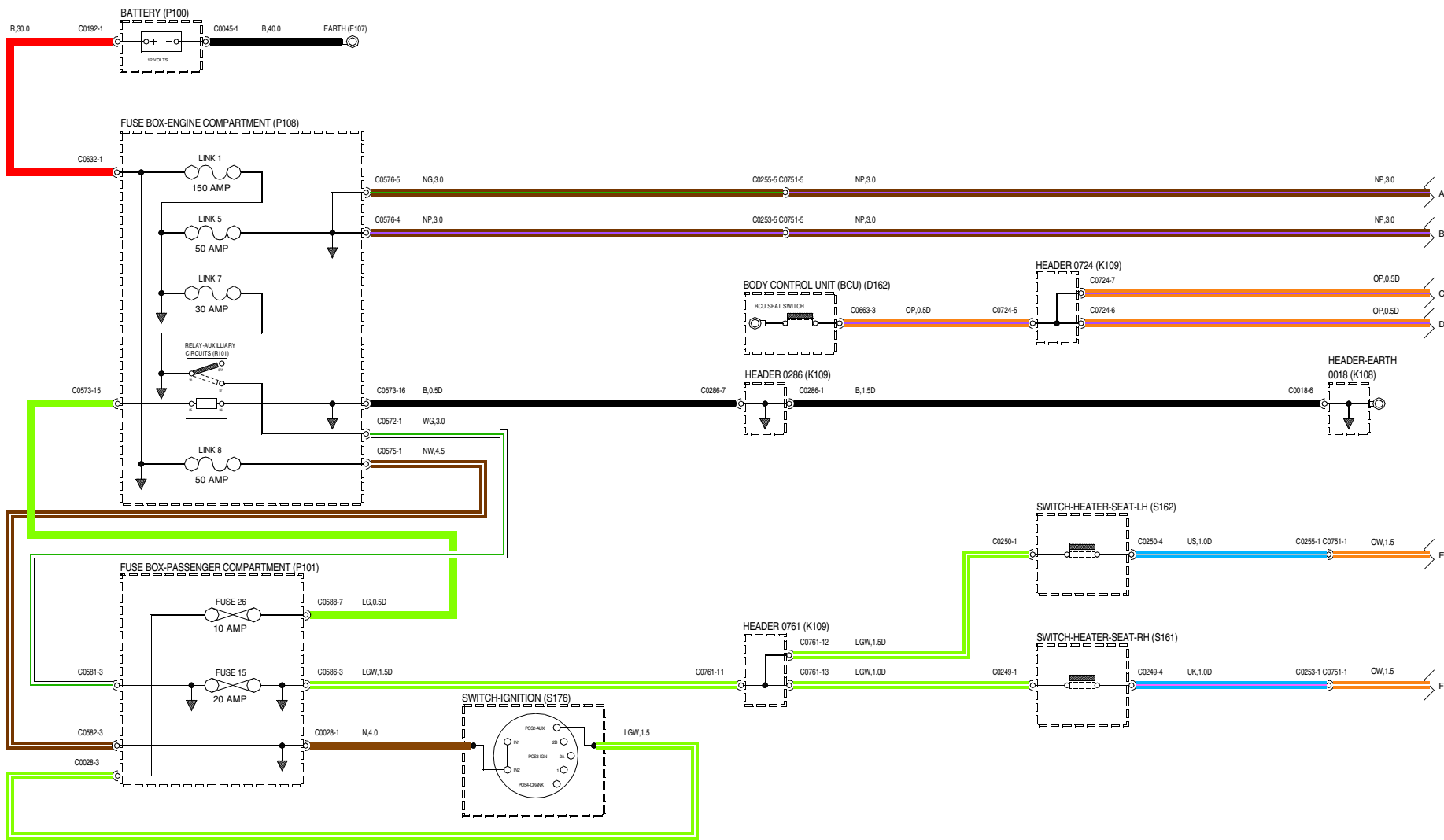
7 DOOR MIRRORS

Folding



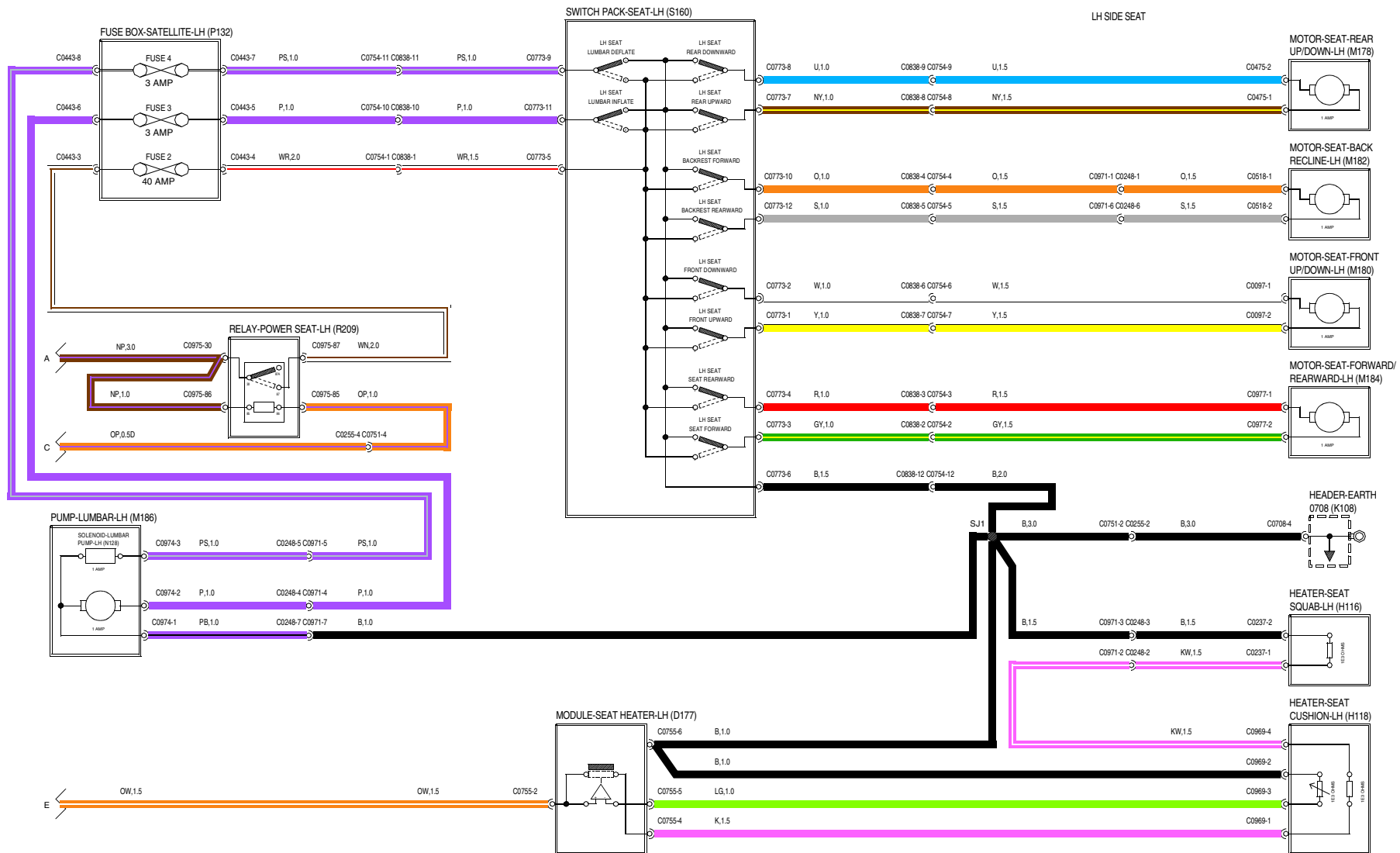
WVR108350-4-01

8 SEATS



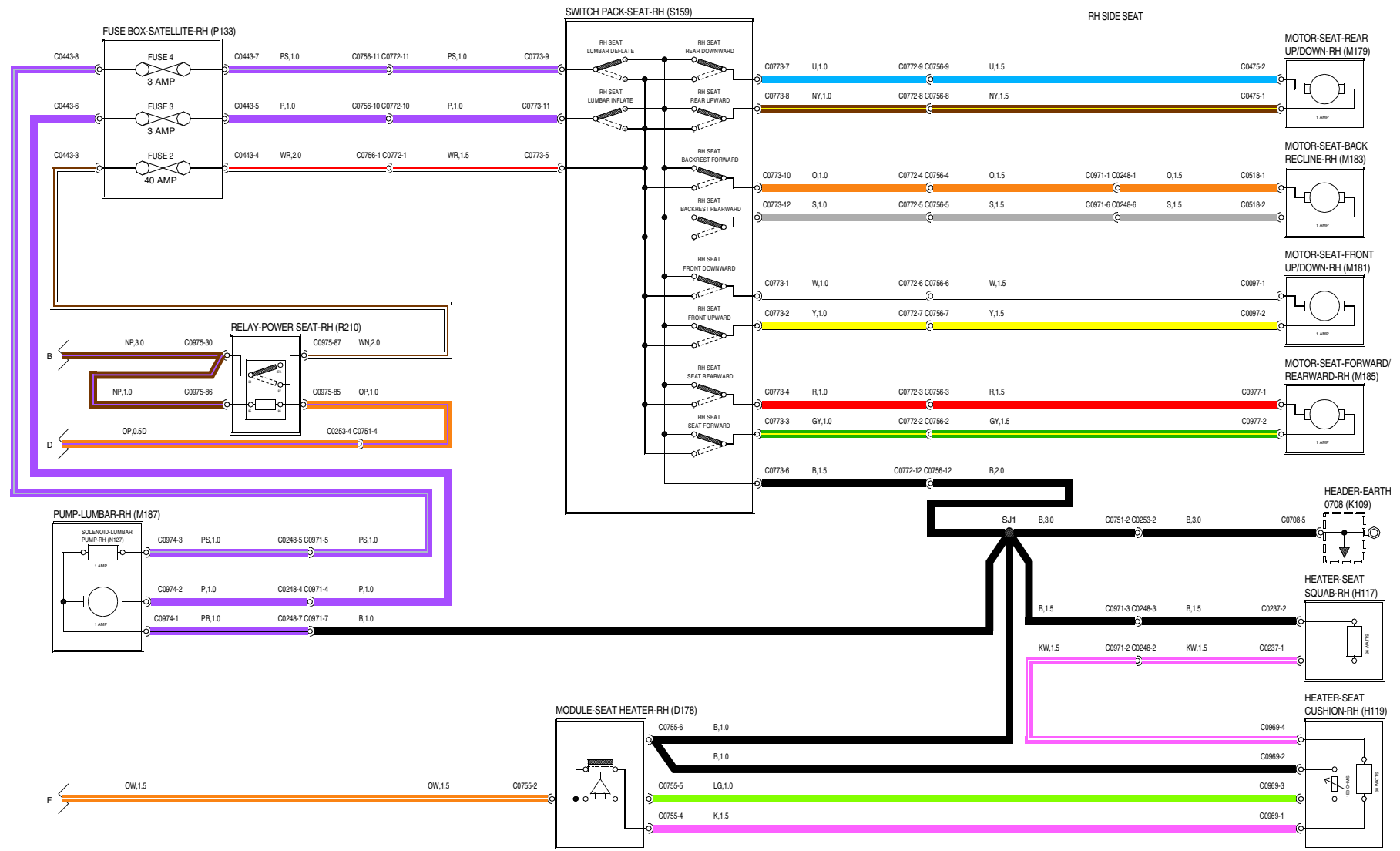
WVR102200-4-01

8 SEATS

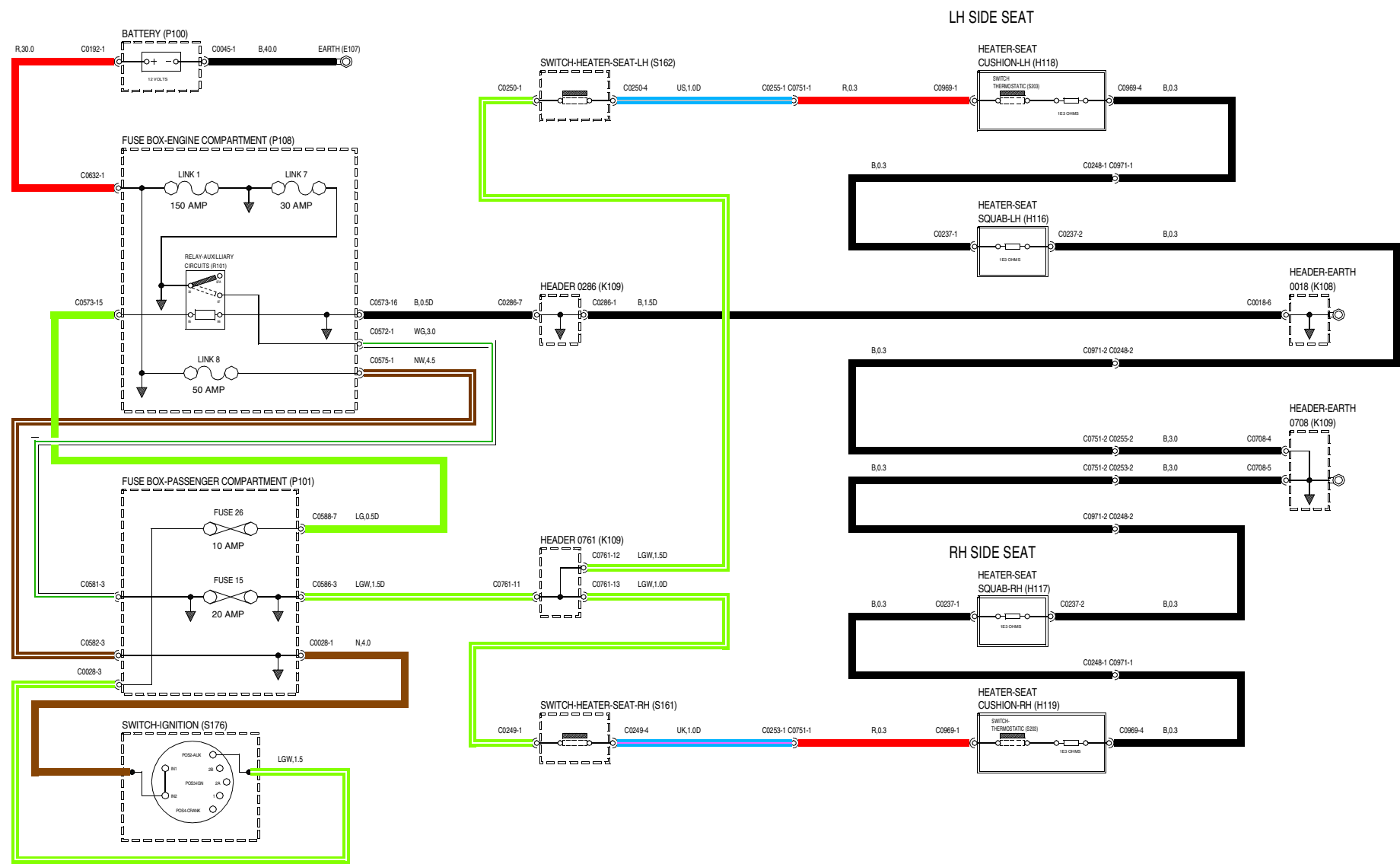


WVR102200-A-02

8 SEATS

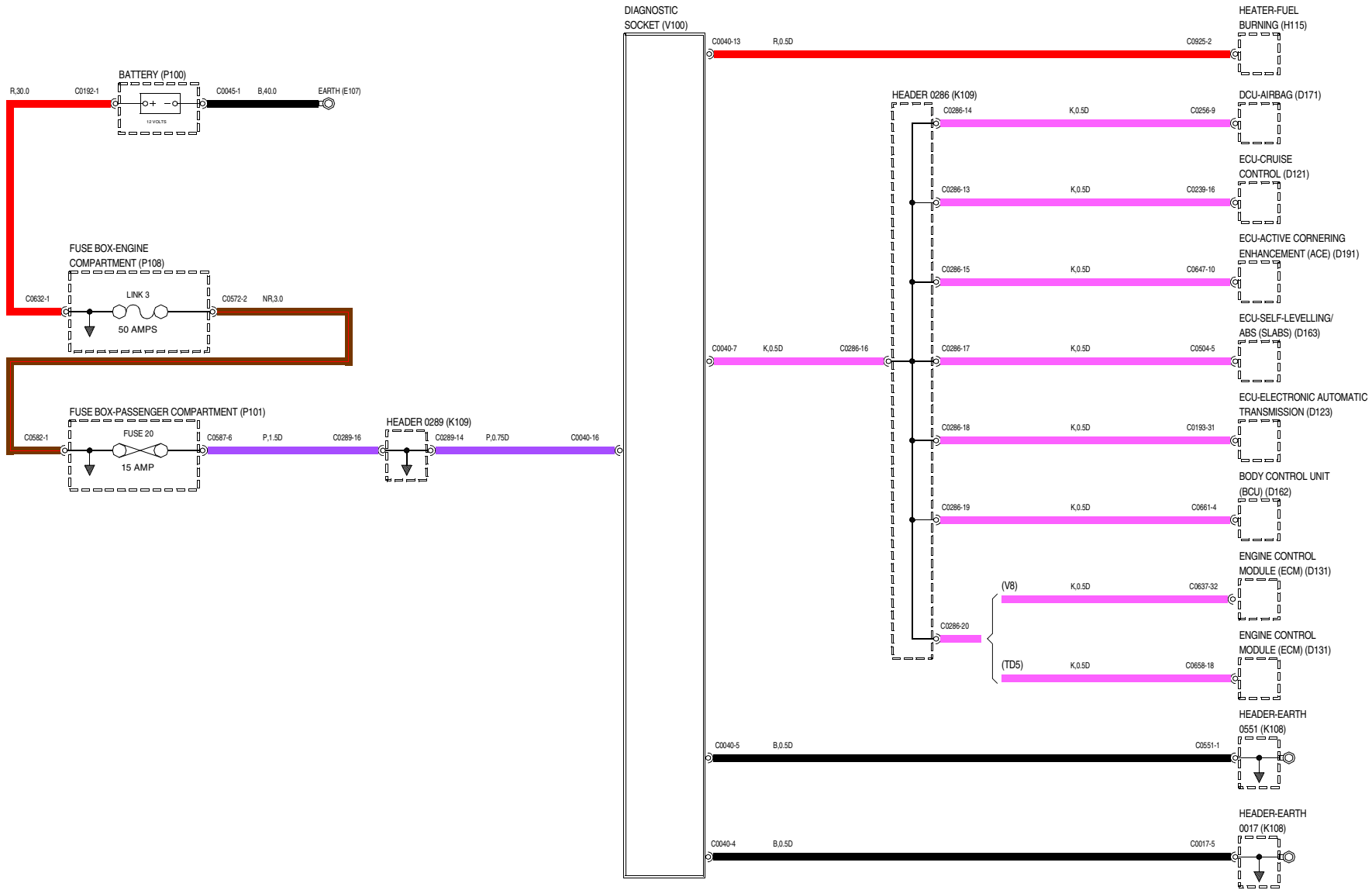


WVR102200-A-03



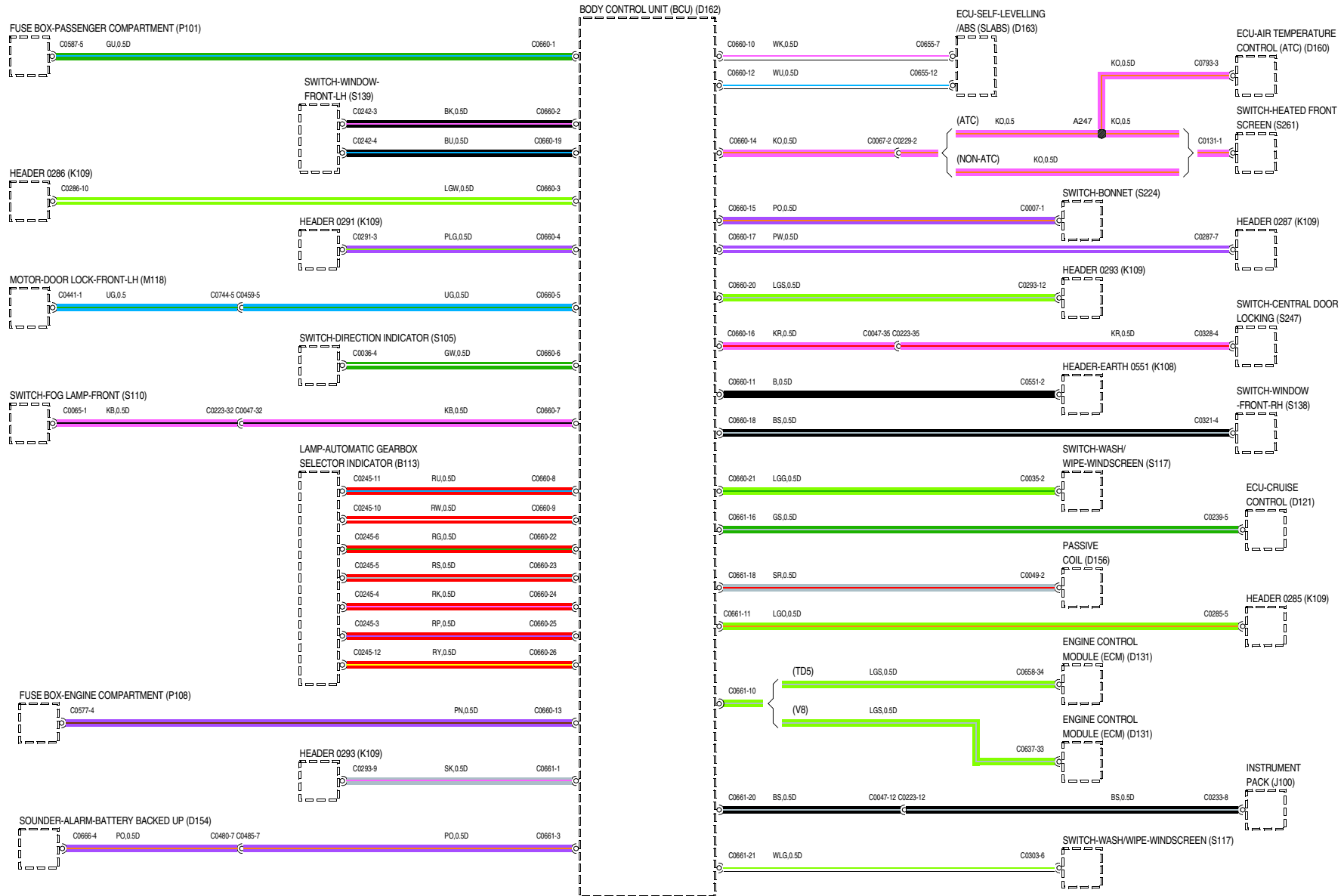
WR111070-4-01

10 DIAGNOSTIC SOCKET



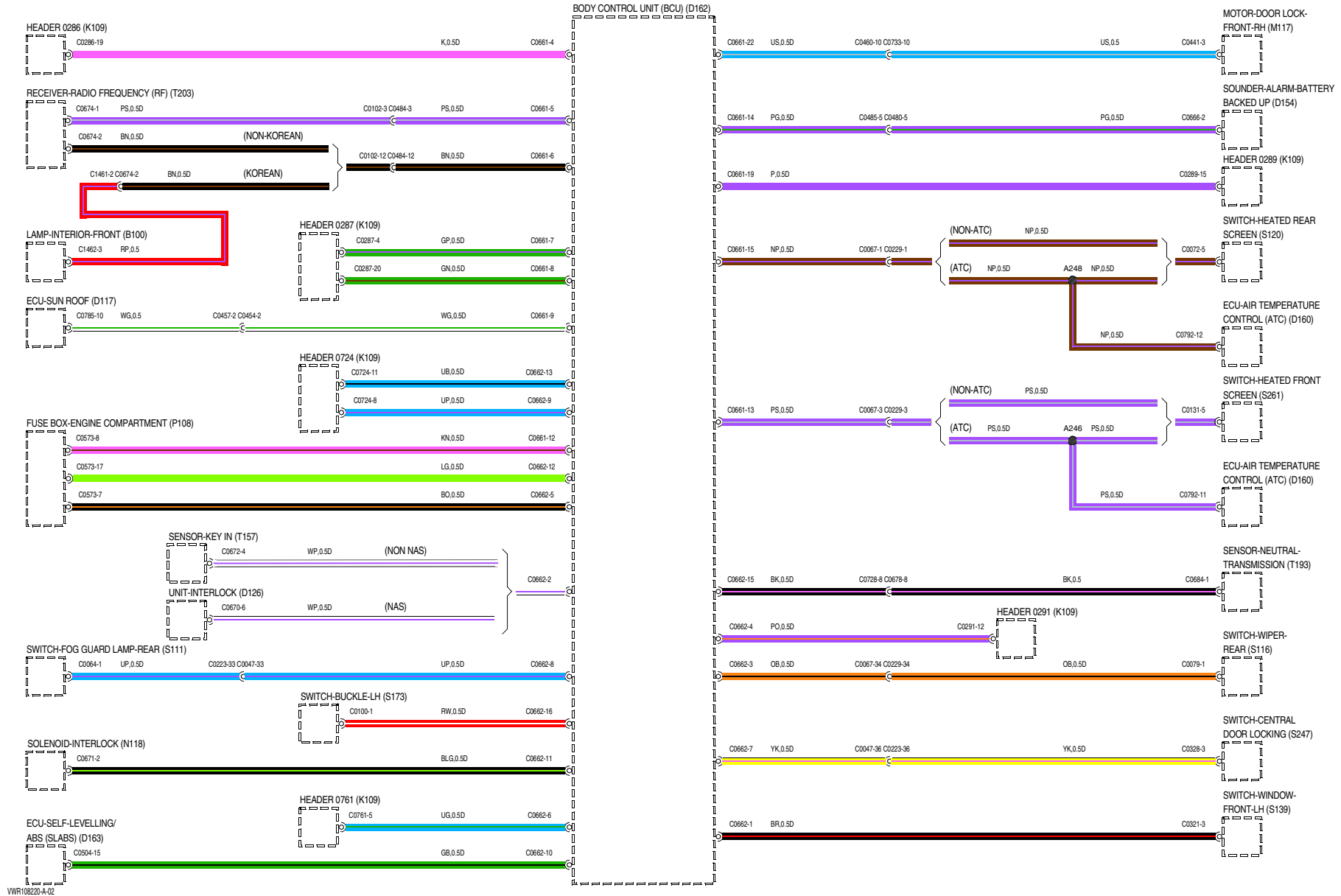
WVR105830-4-01

11 BODY CONTROL UNIT



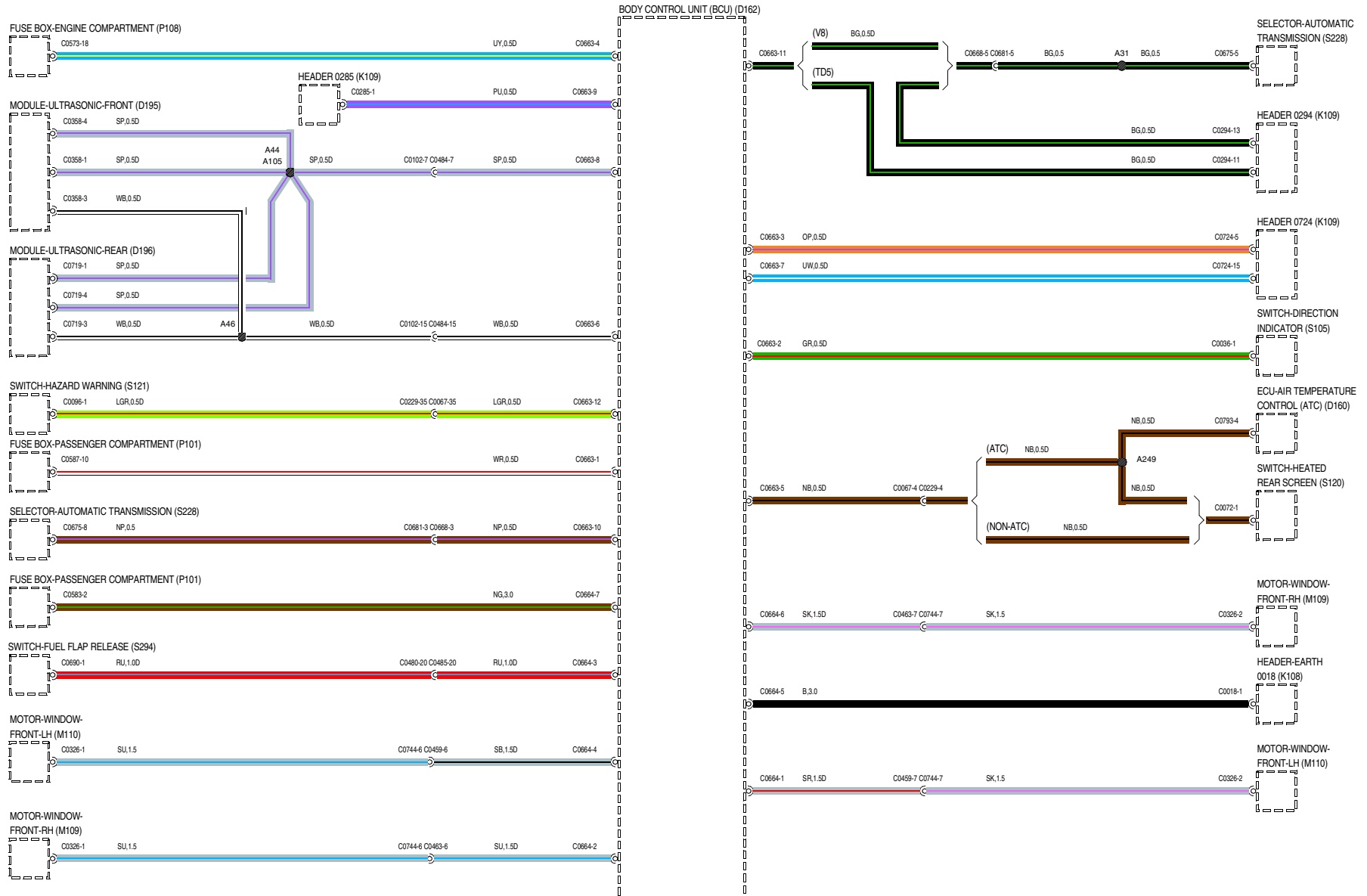
WVR108220-4-01

11 BODY CONTROL UNIT

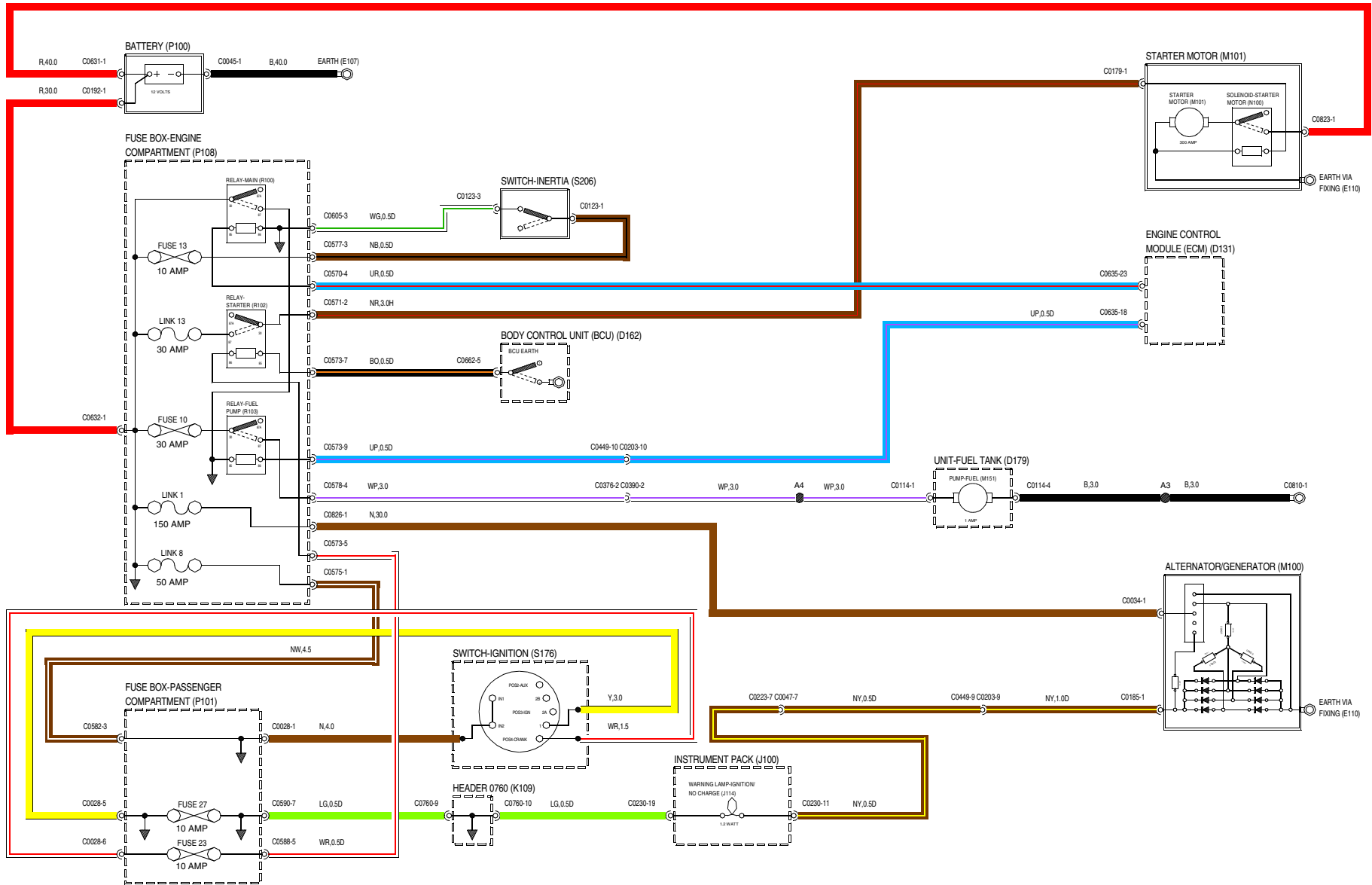


WWR108220-4-02

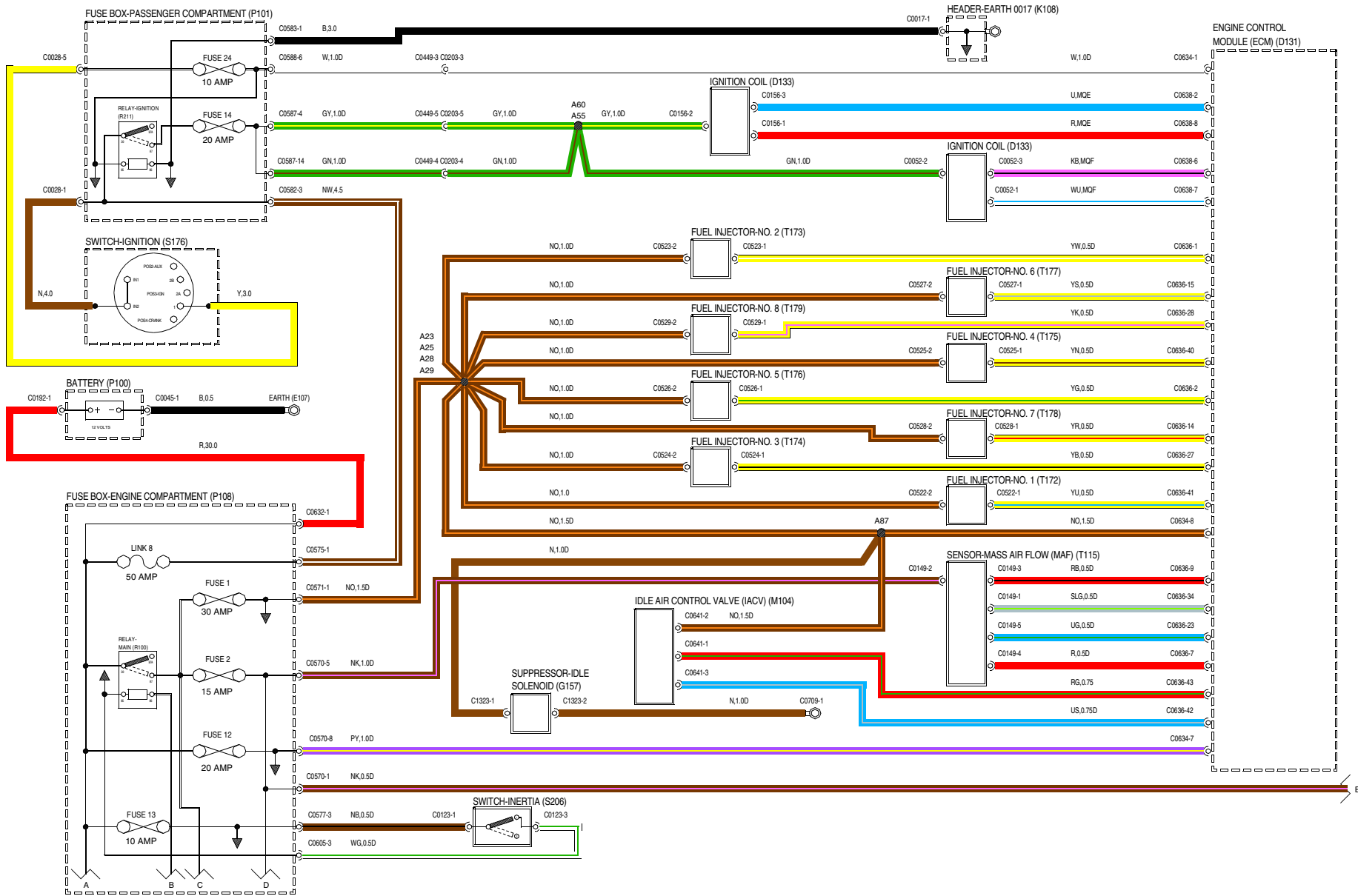
11 BODY CONTROL UNIT



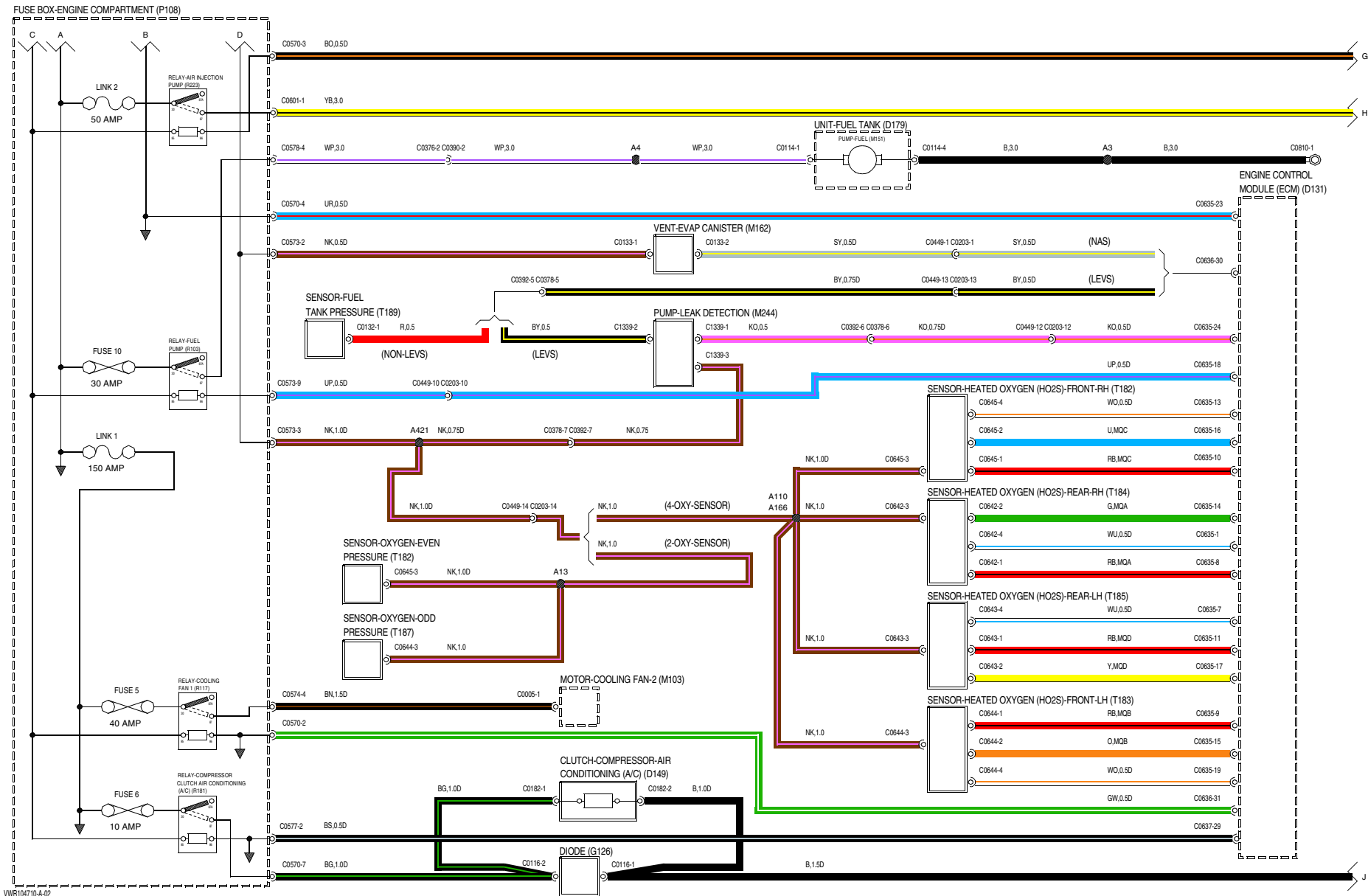
WVR108220-A-03



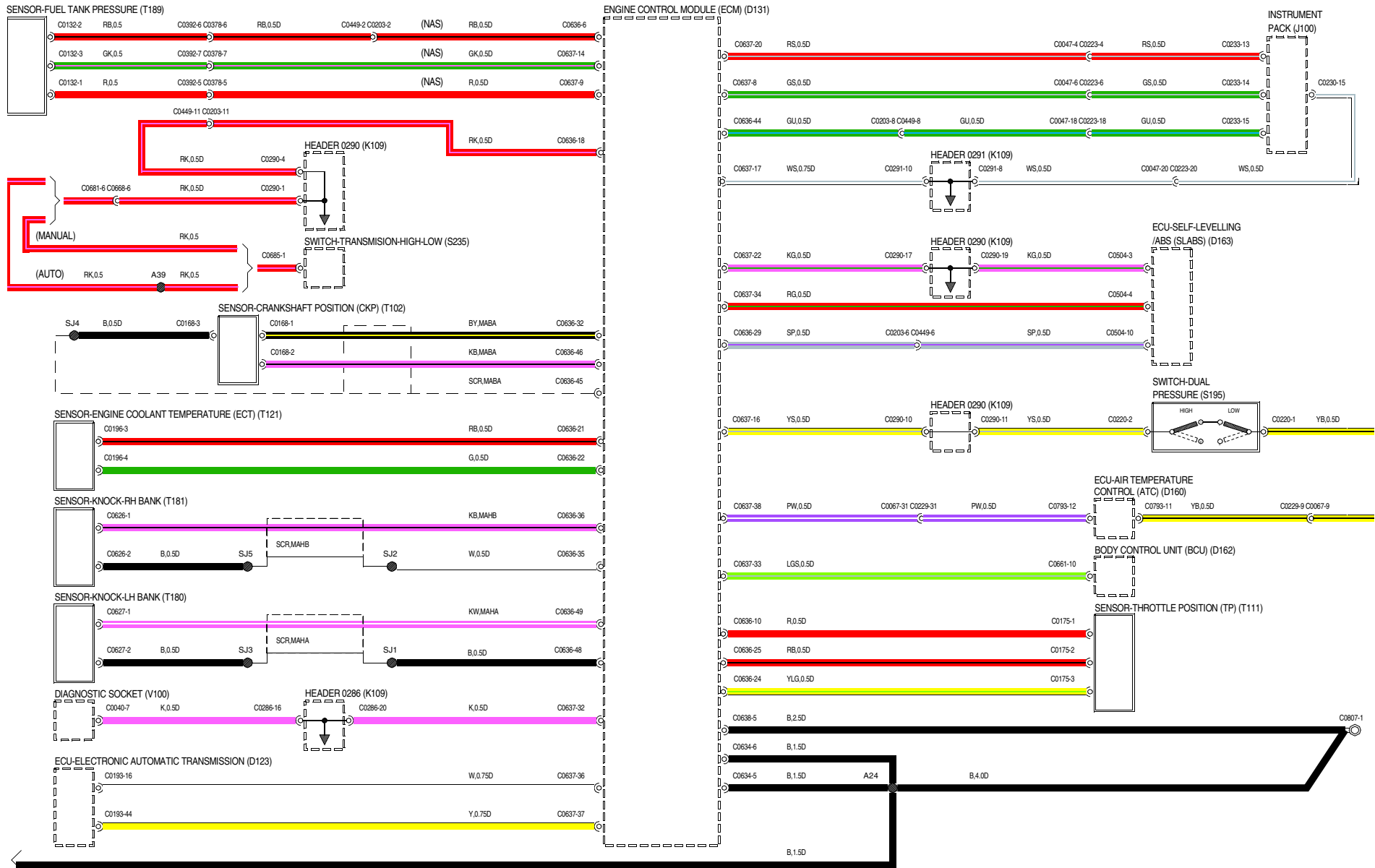
WR10200-4-01

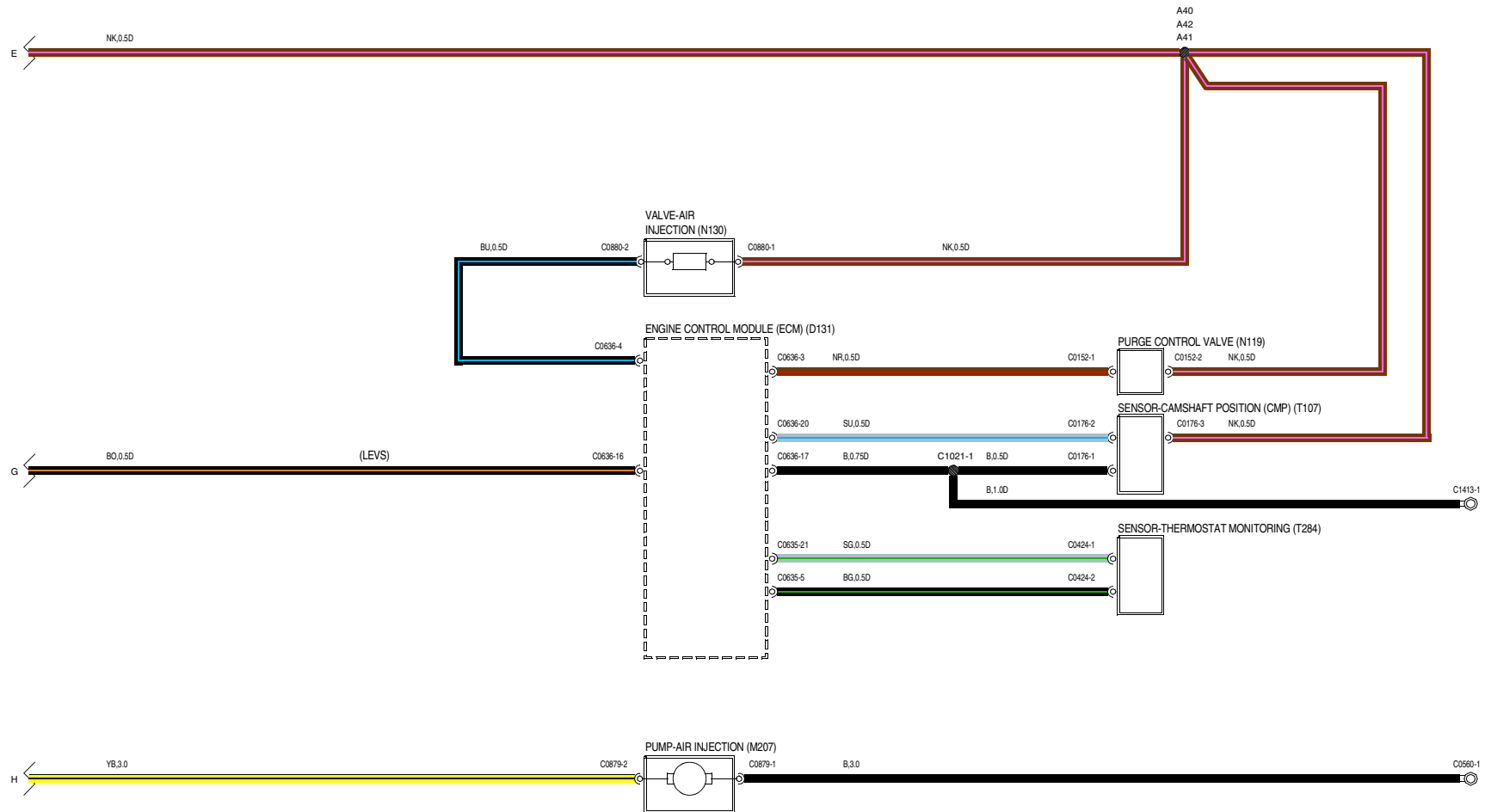


WR104710-4-01



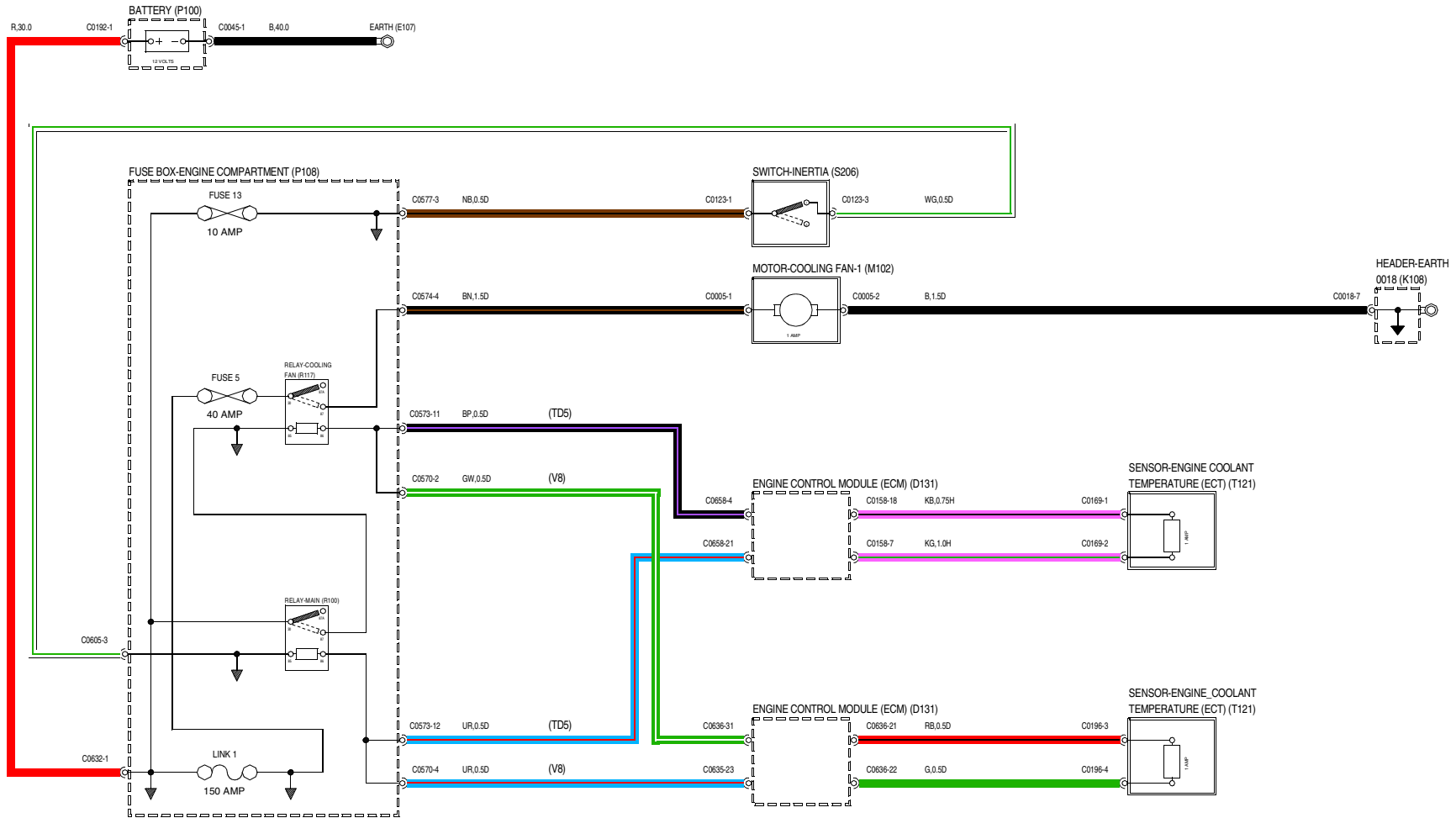
WVR104710-A-02





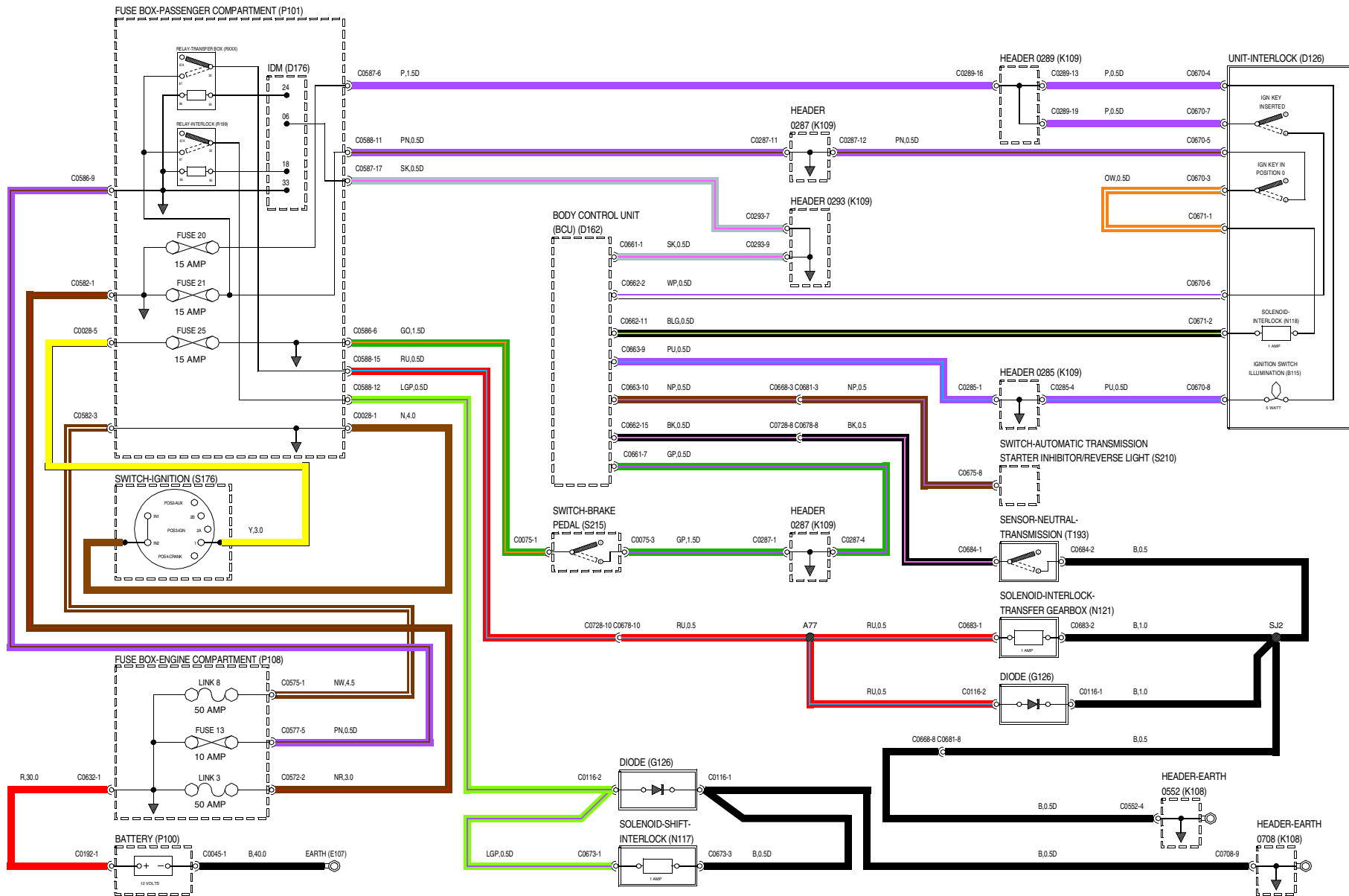
WVR104710-A-04

22 COOLING FANS



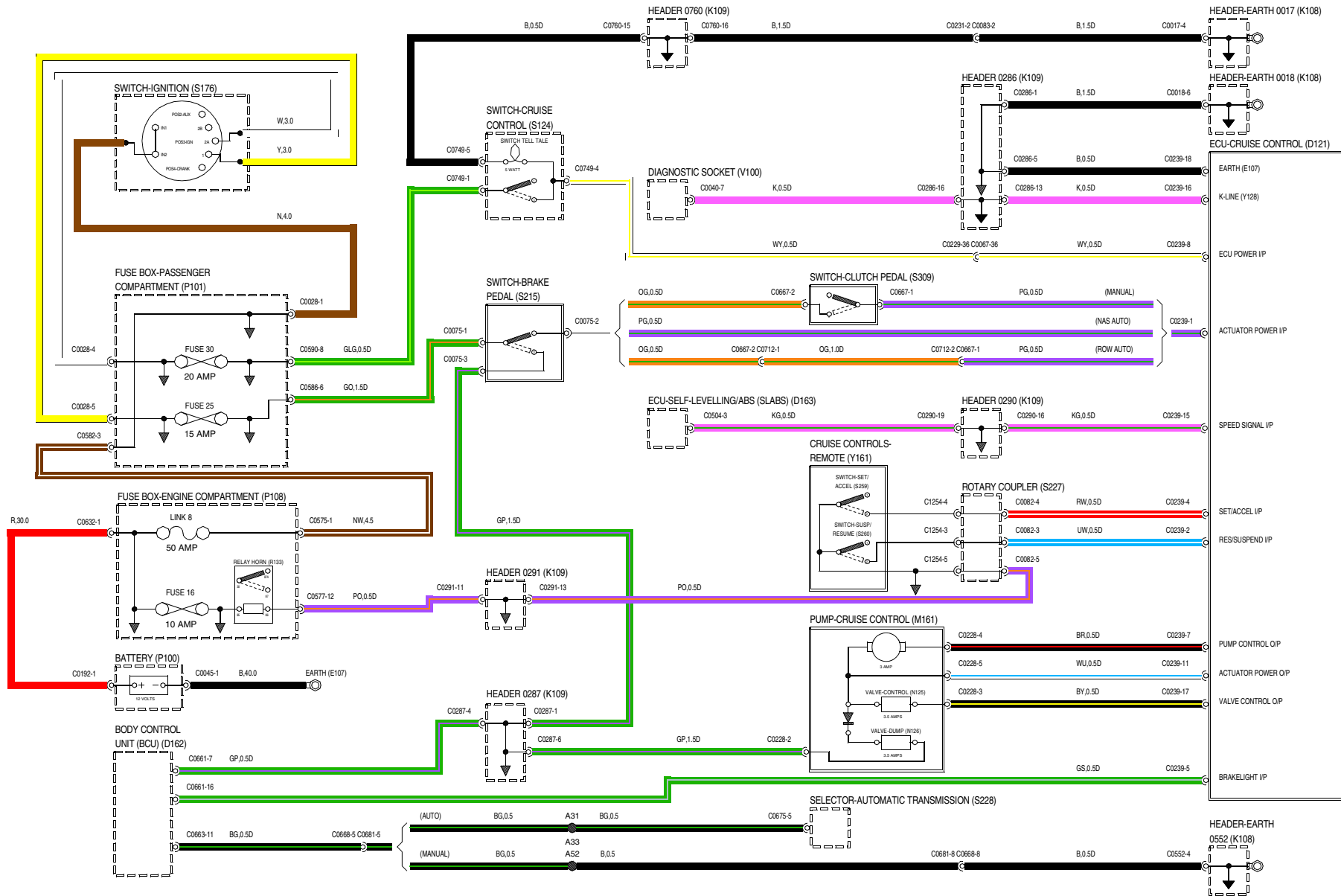
WR102040-4-01

25 SHIFT INTERLOCK



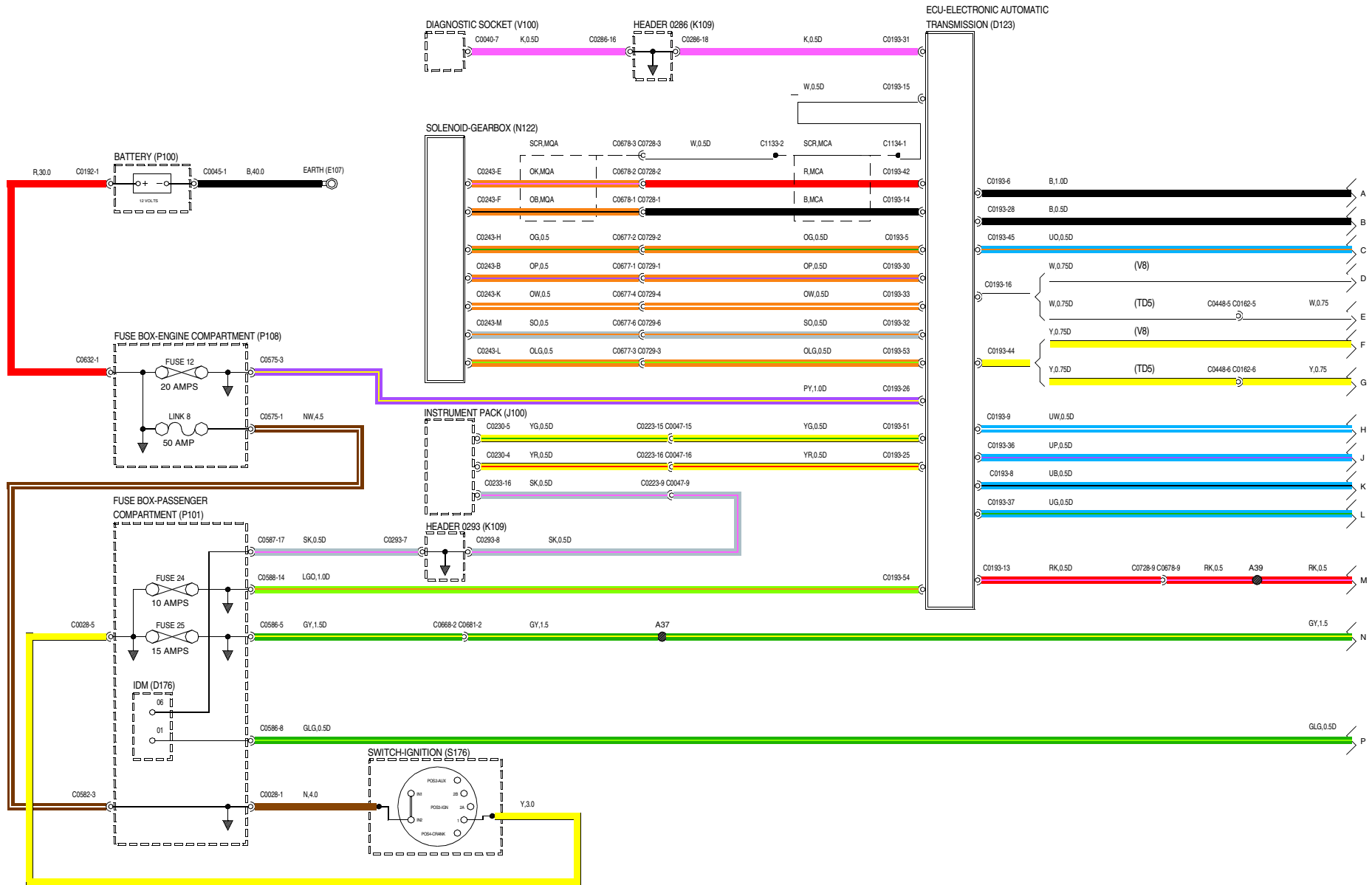
WVR105820-4-01

31 CRUISE CONTROL



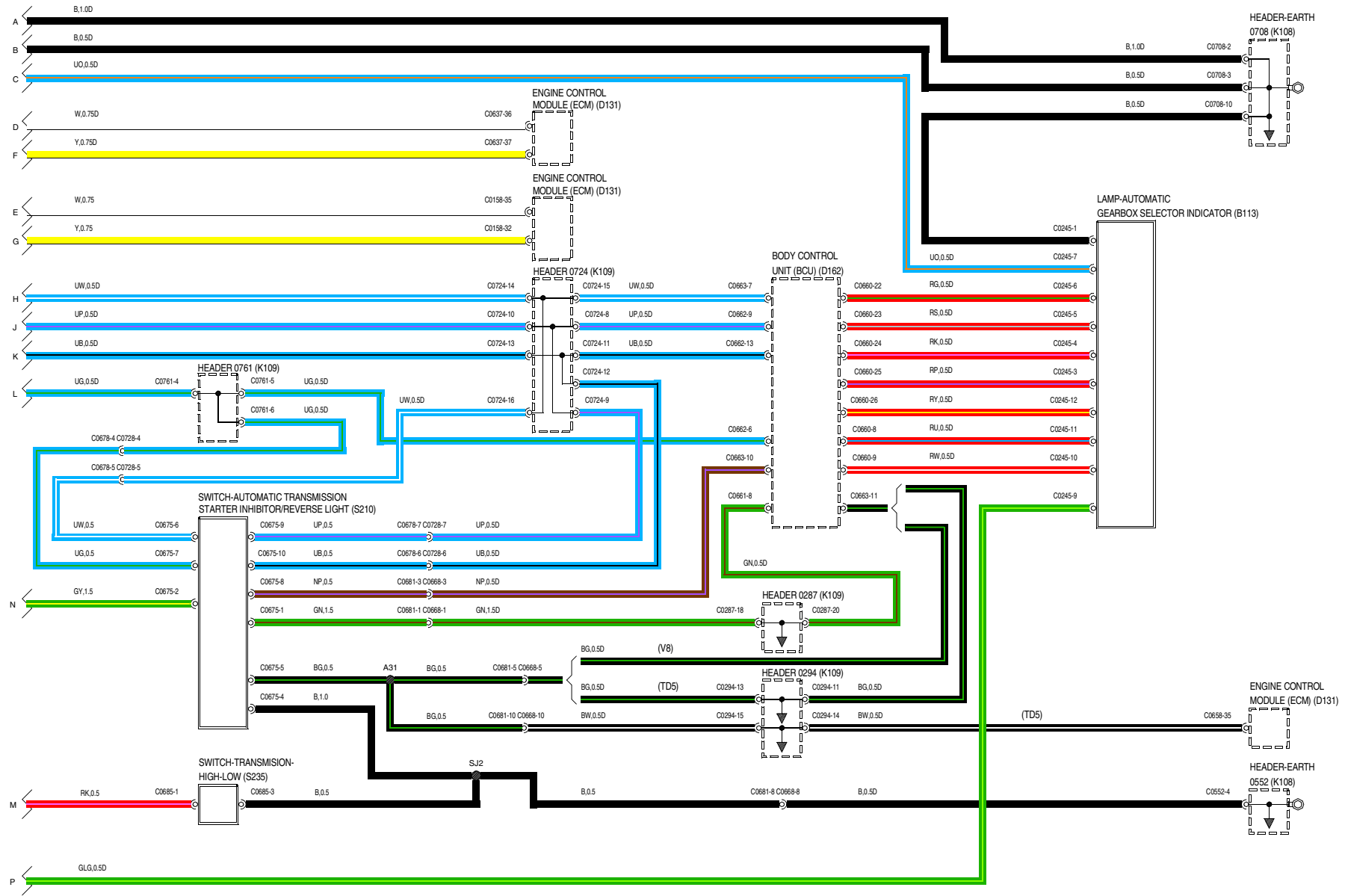
WVR102190-4-01

32 ELECTRONIC AUTOMATIC TRANSMISSION



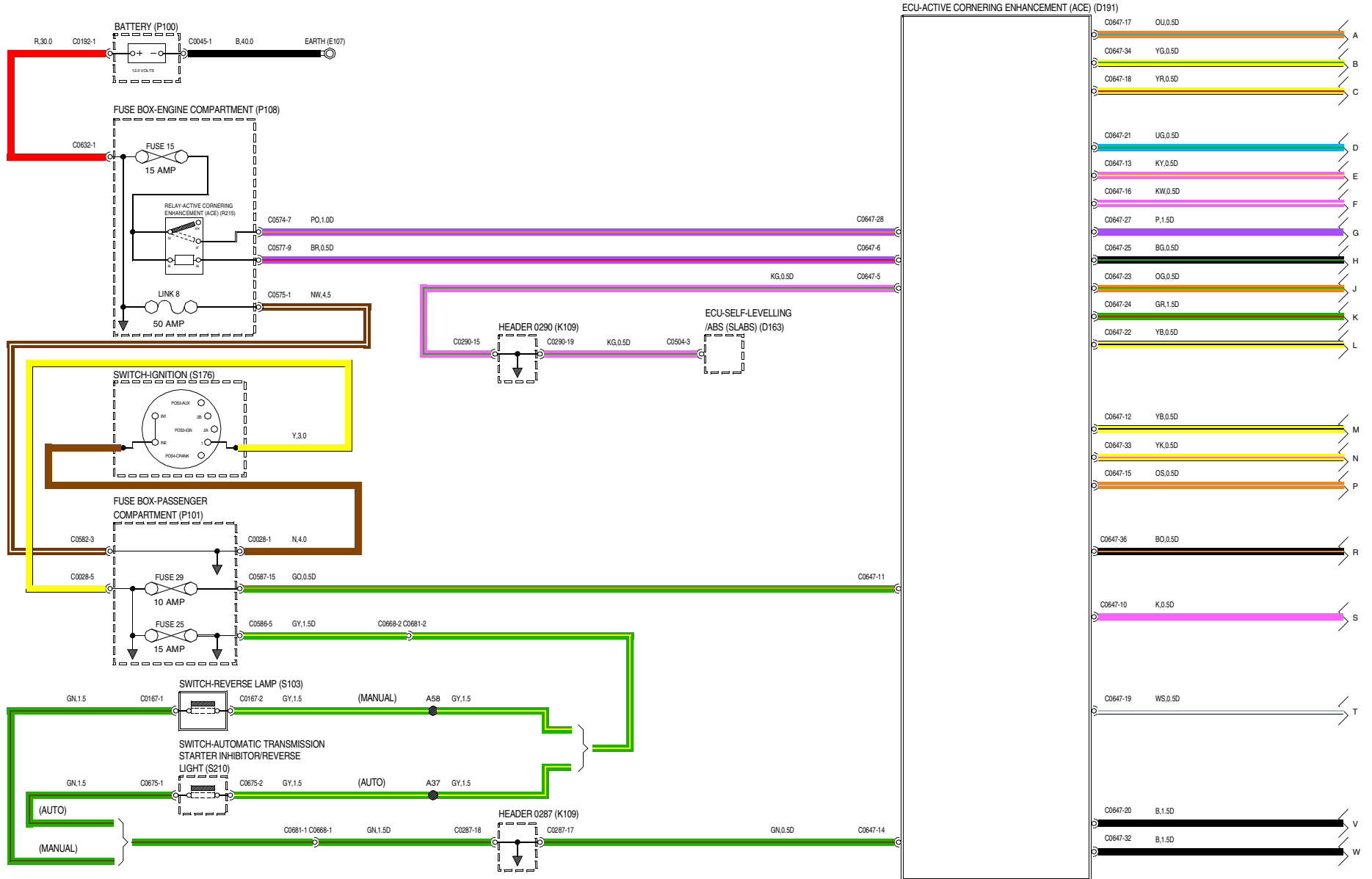
WVR102230-A-01

32 ELECTRONIC AUTOMATIC TRANSMISSION



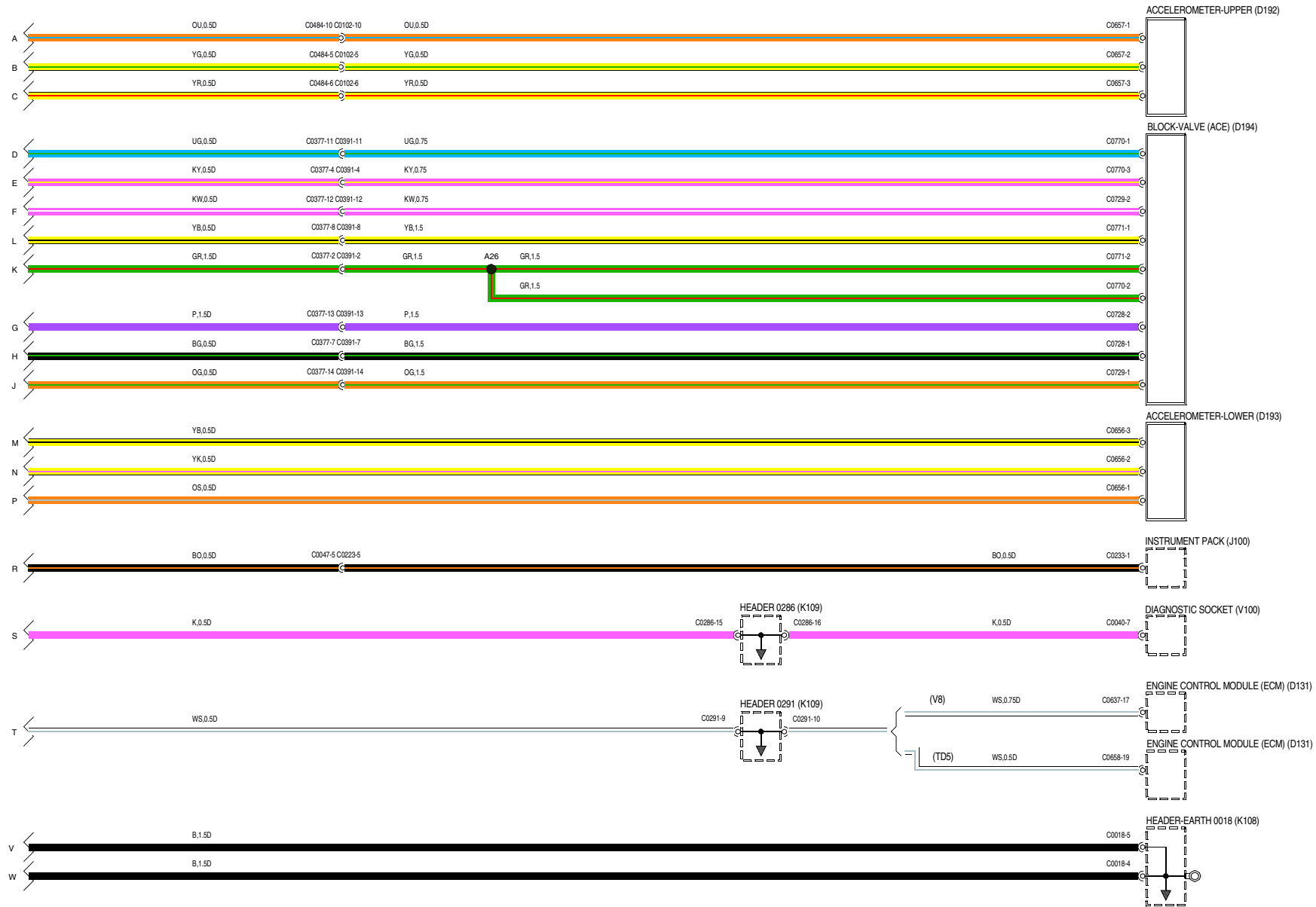
WWR102230-A-02

33 ACTIVE CORNERING ENHANCEMENT (ACE)



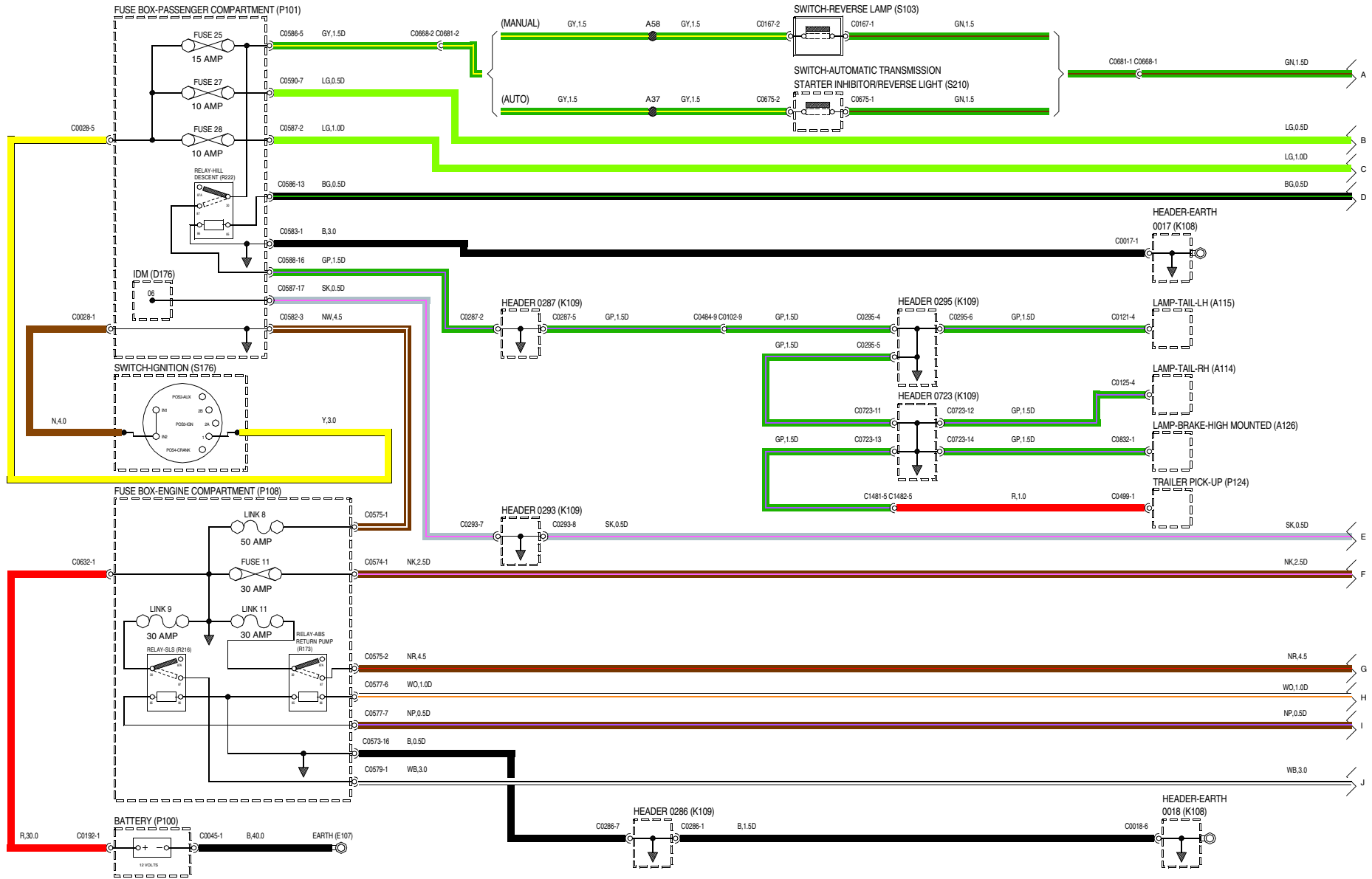
WVR108660-1d1

33 ACTIVE CORNERING ENHANCEMENT (ACE)



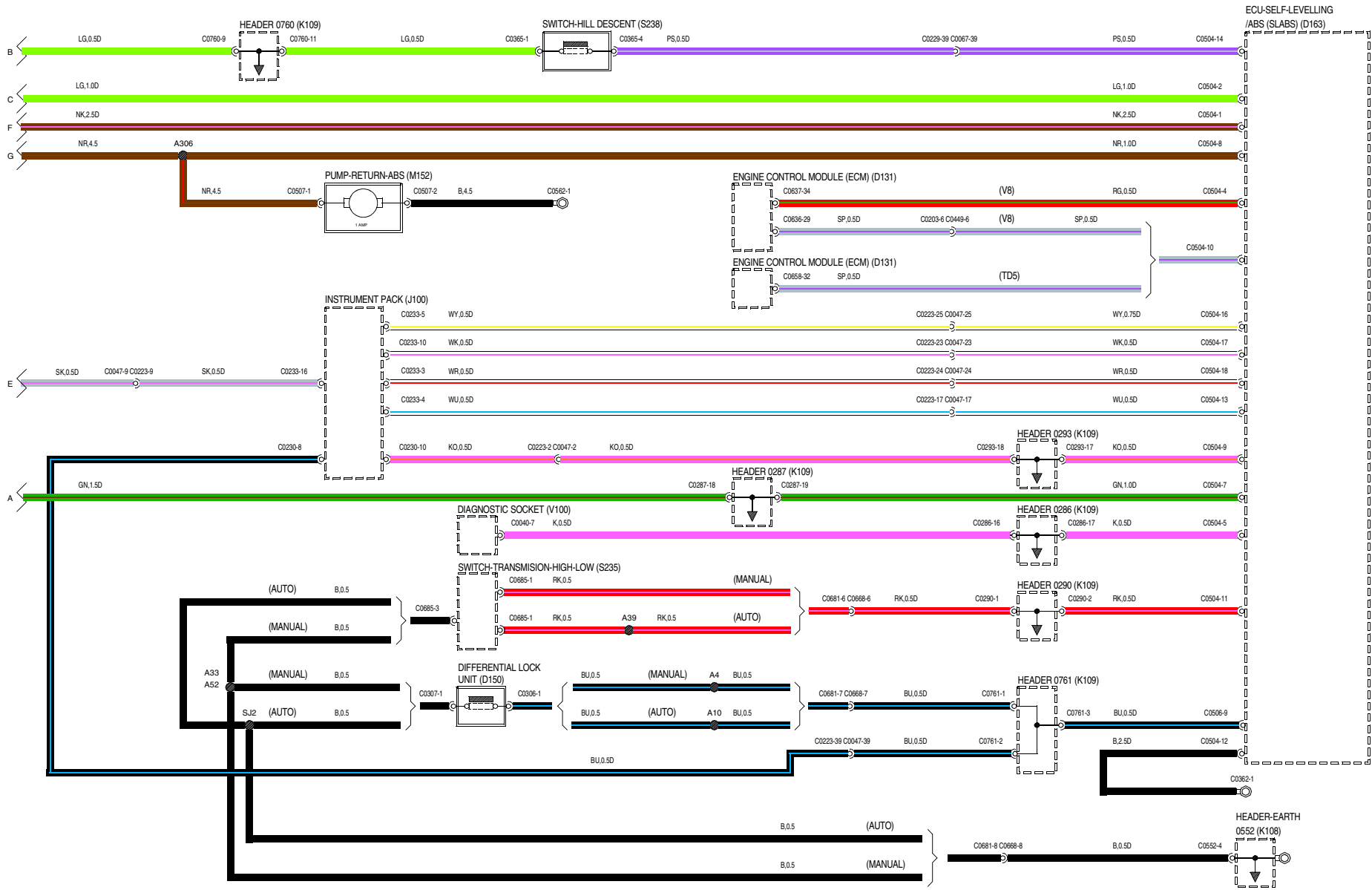
VWR102250-A-02

34 SELF LEVELING AND ANTI-LOCK BRAKING SYSTEM (SLABS)



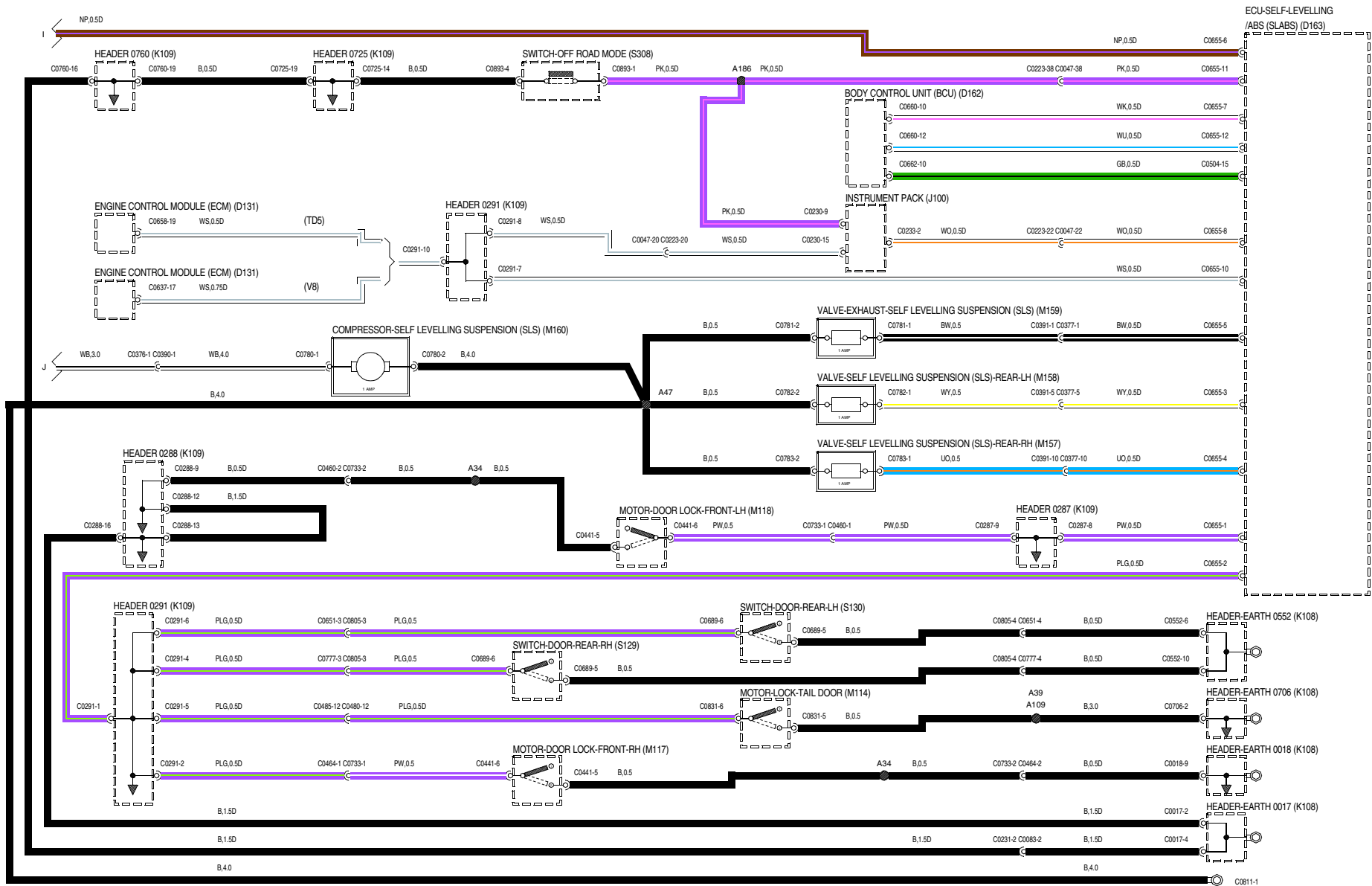
WR102240-4-01

34 SELF LEVELING AND ANTI-LOCK BRAKING SYSTEM (SLABS)



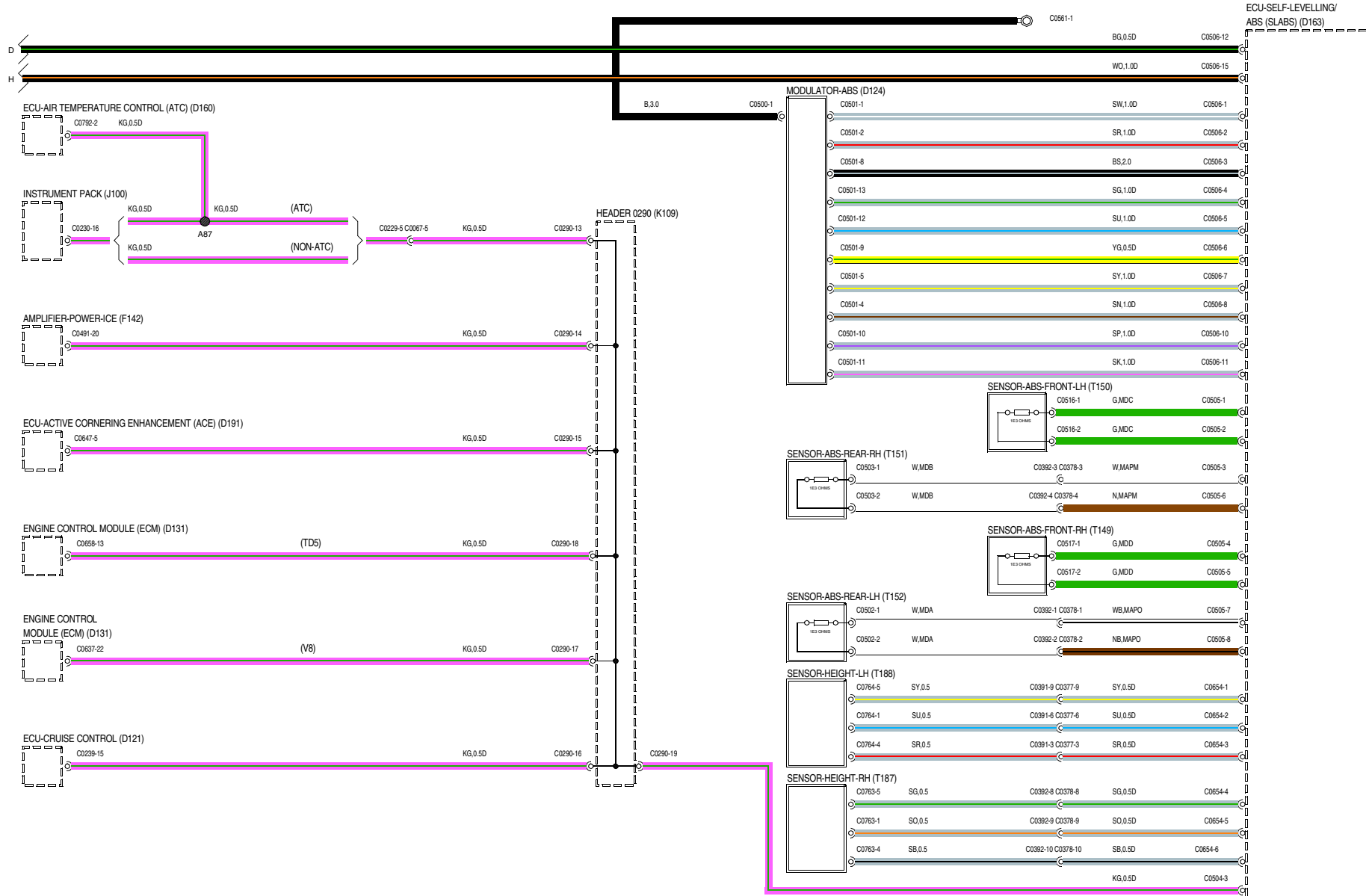
WVR102240-A-02

34 SELF LEVELING AND ANTI-LOCK BRAKING SYSTEM (SLABS)



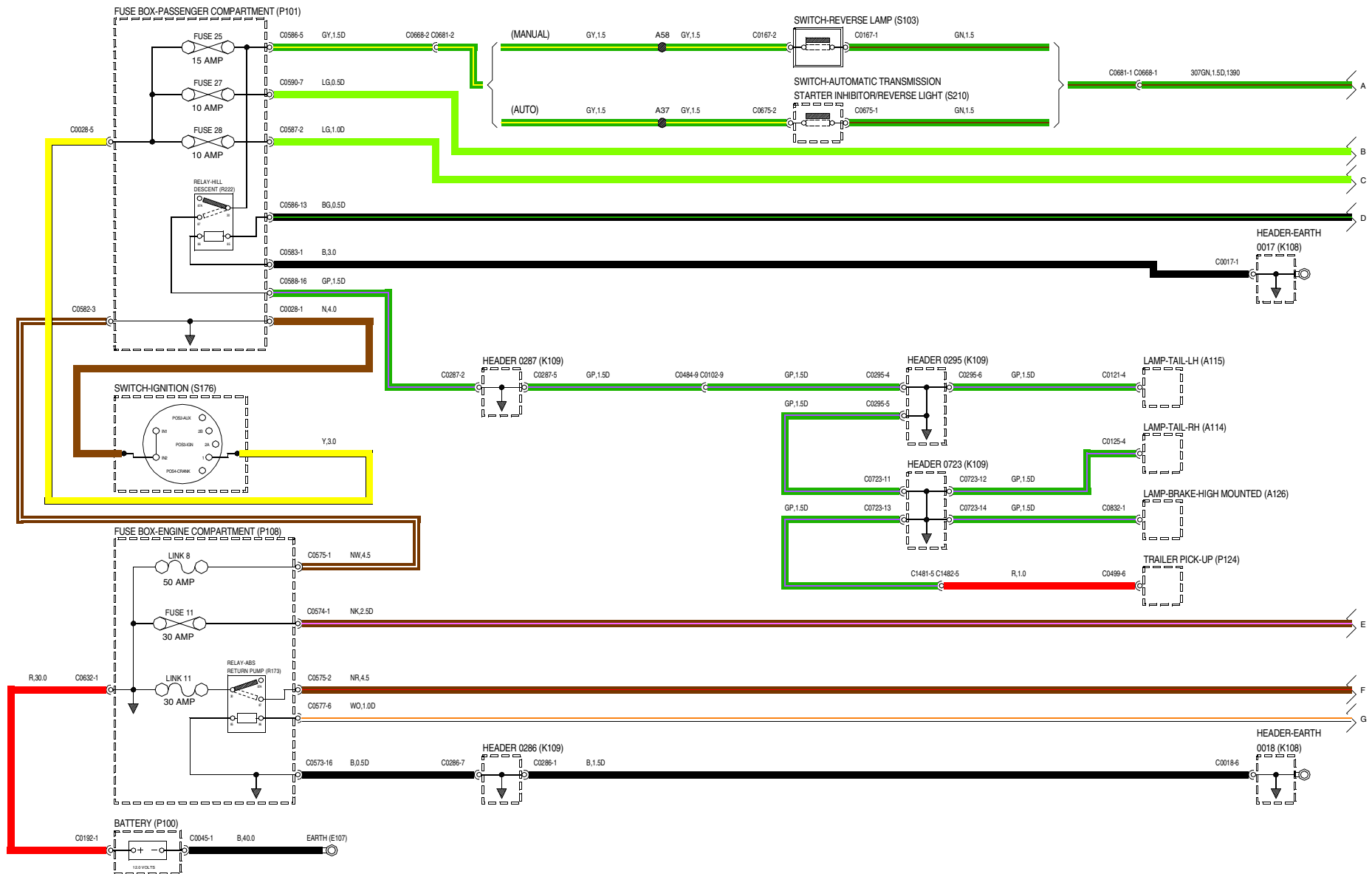
WVR102240-A-03

34 SELF LEVELING AND ANTI-LOCK BRAKING SYSTEM (SLABS)



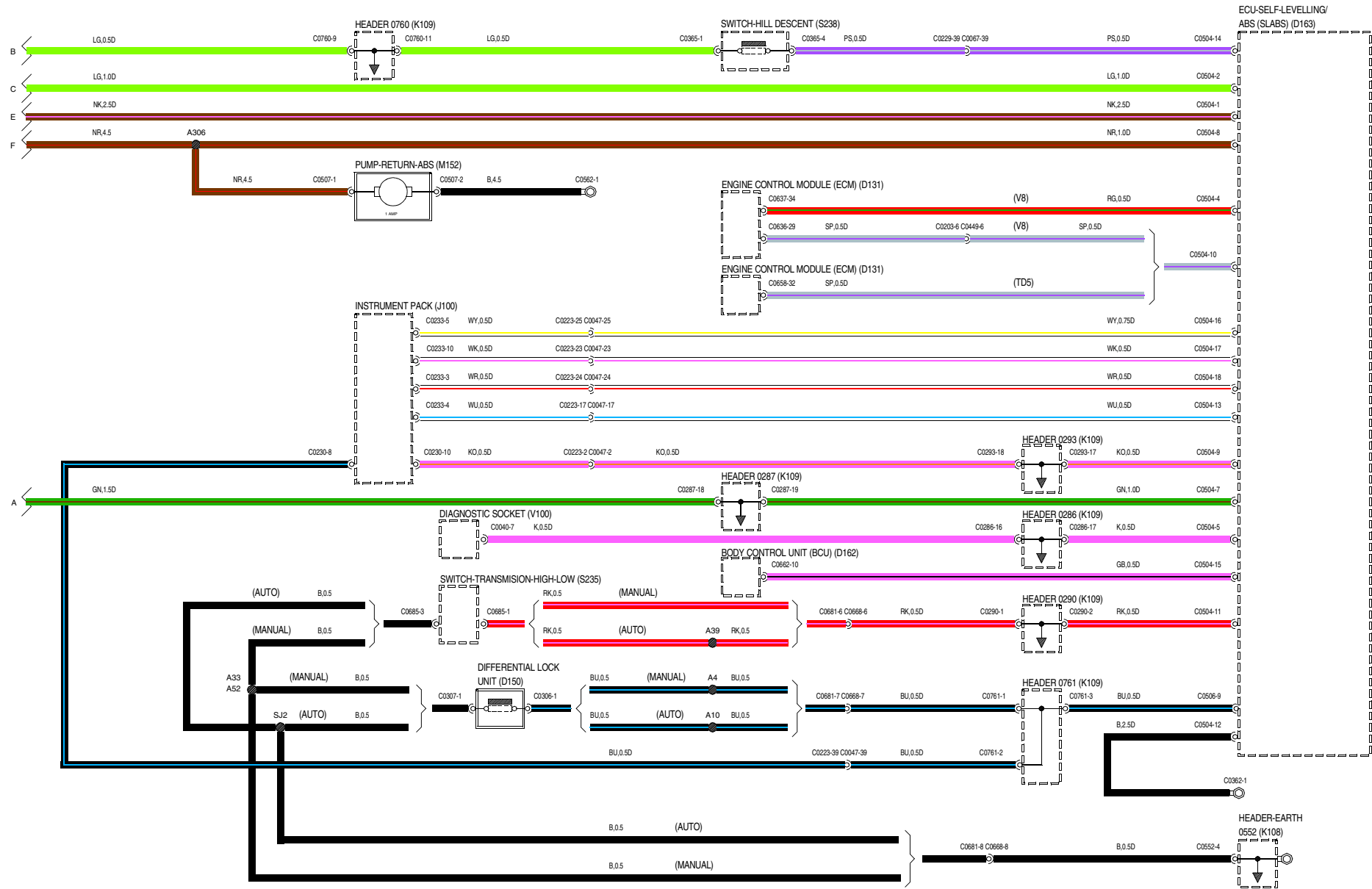
WVR102240-A-04

35 ANTI-LOCK BRAKING SYSTEM (ABS)



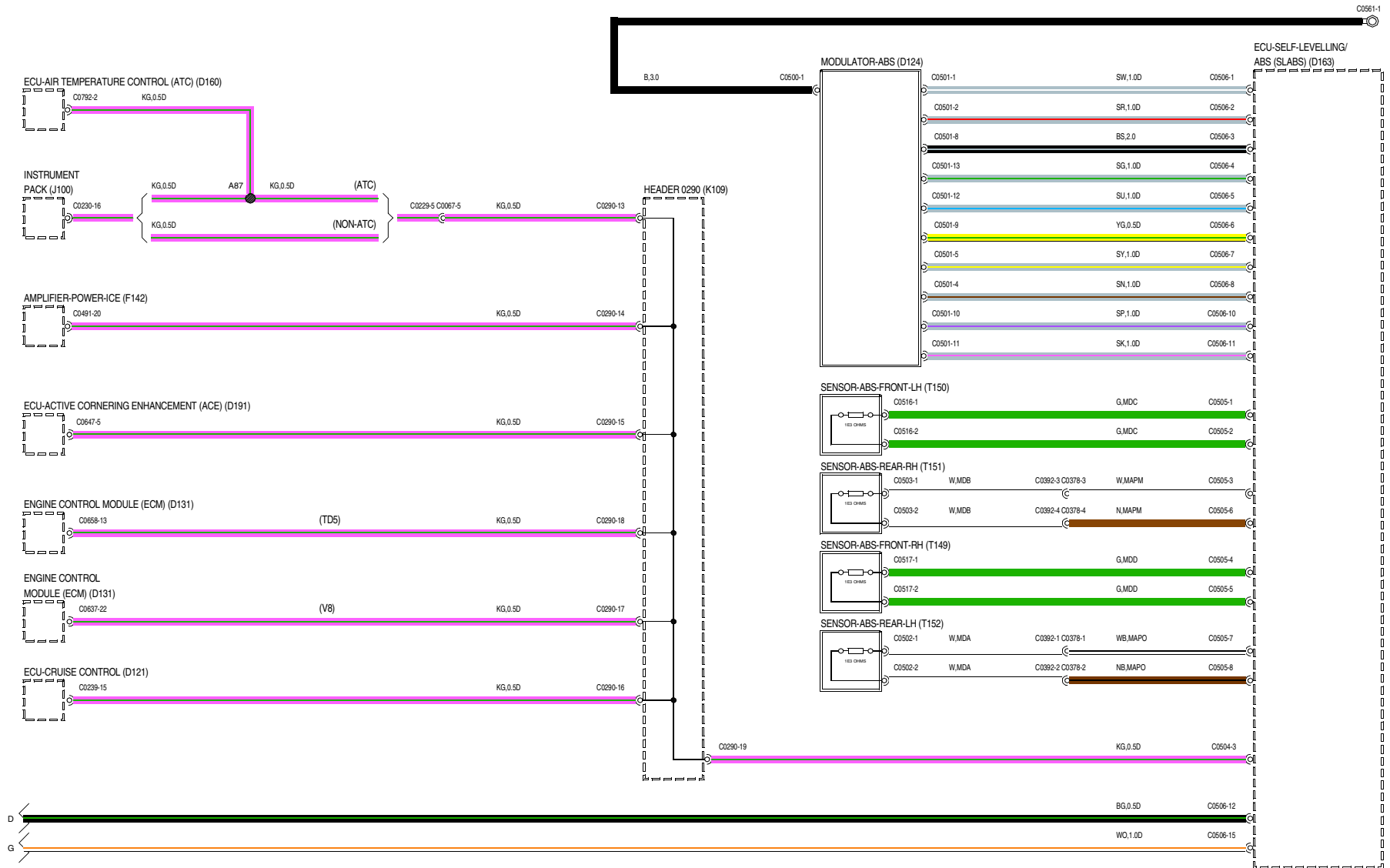
WR108110-4-01

35 ANTI-LOCK BRAKING SYSTEM (ABS)



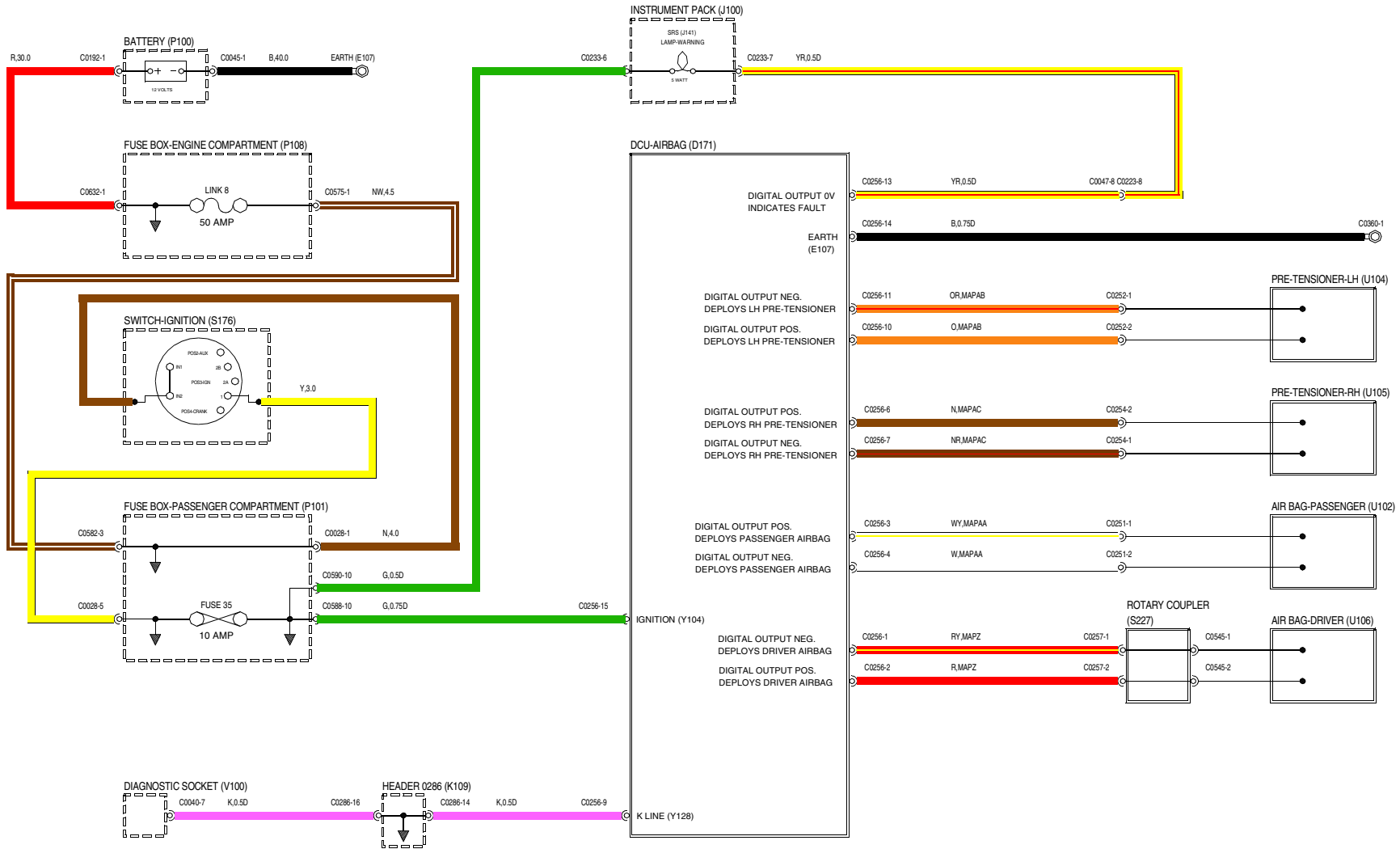
WVR108110-A-02

35 ANTI-LOCK BRAKING SYSTEM (ABS)

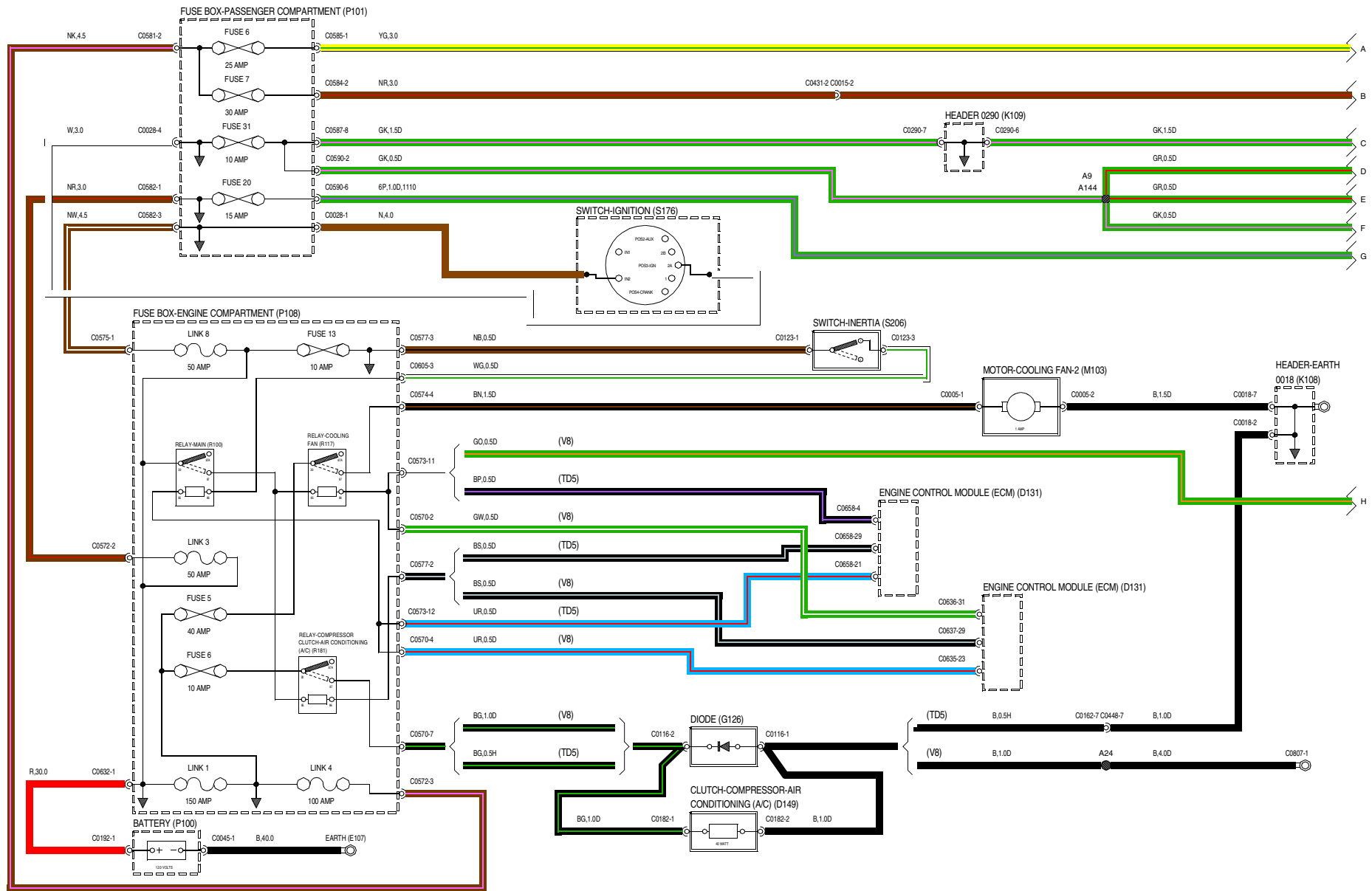


WVR108110-A-03

36 SUPPLEMENTARY RESTRAINT SYSTEM (SRS)

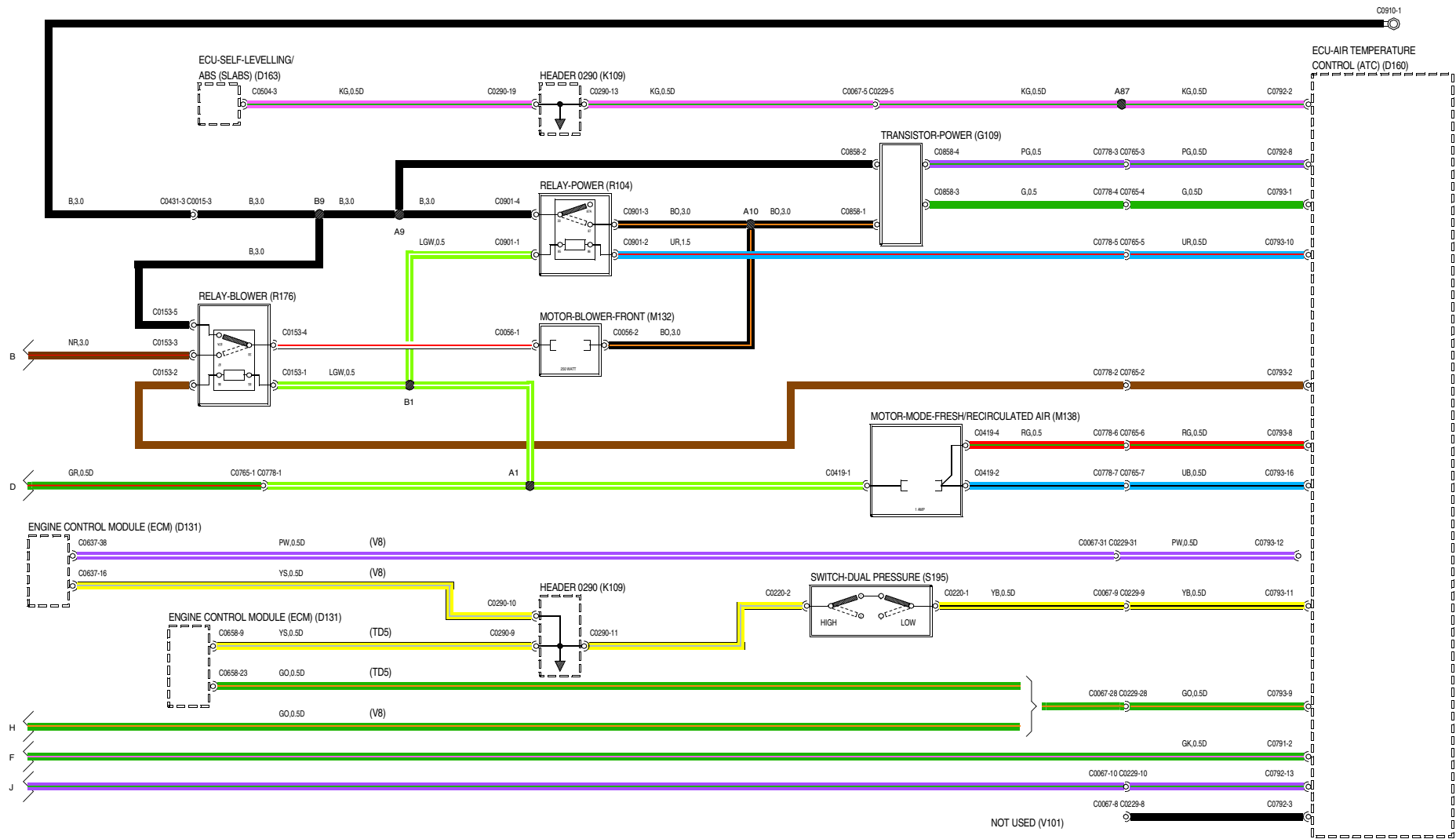


38 AIR CONDITIONING



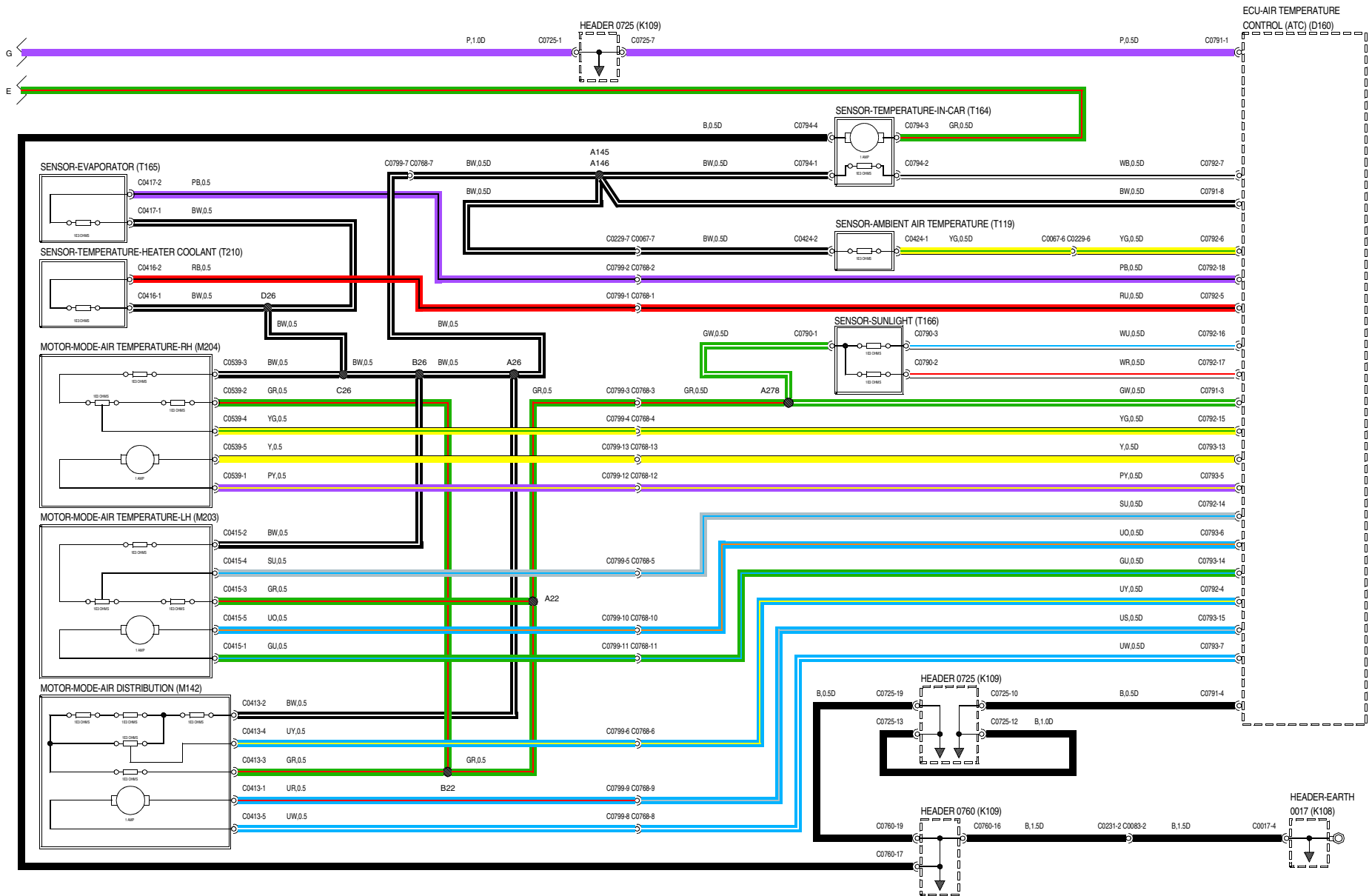
WR10193-4-01

38 AIR CONDITIONING

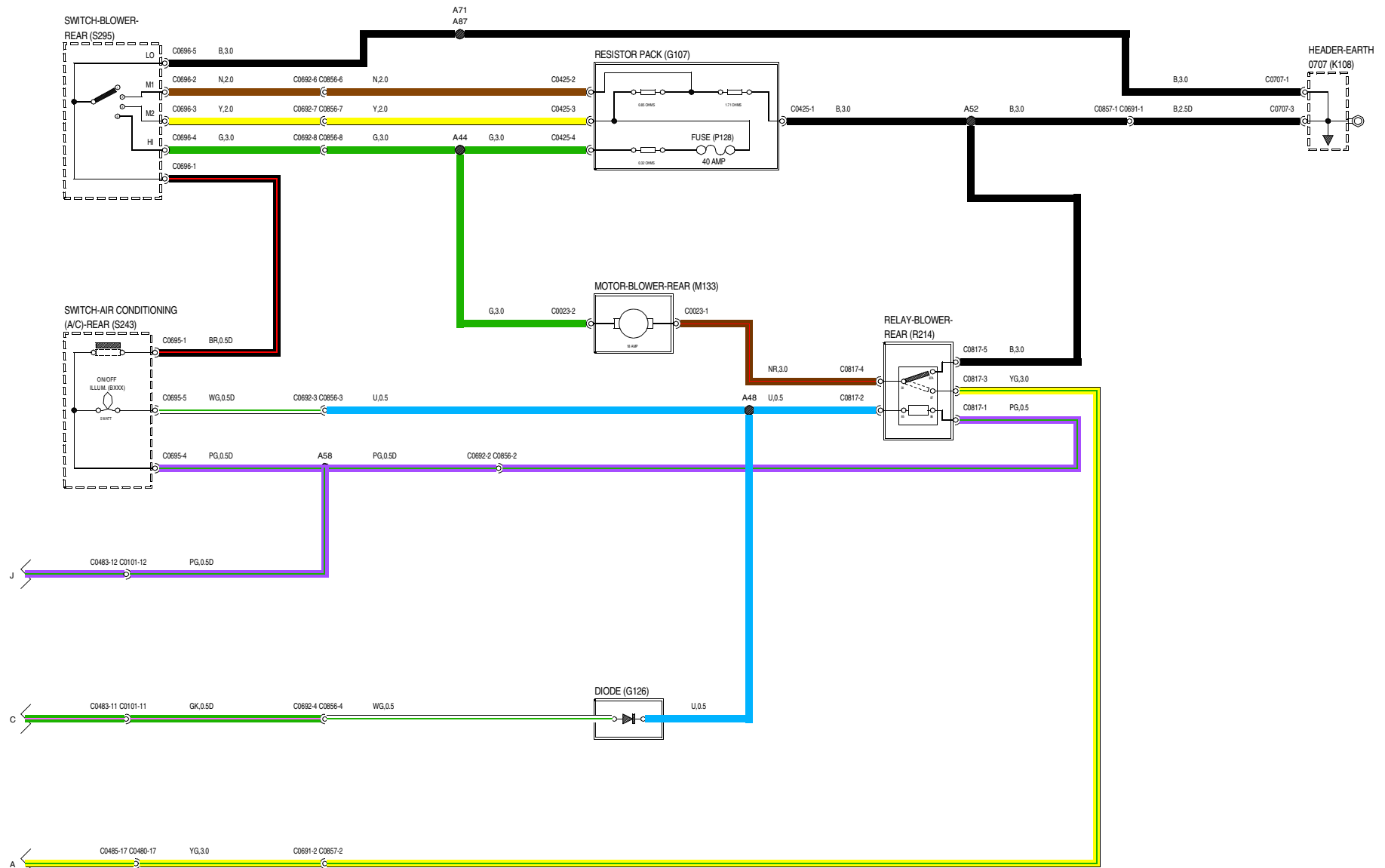


WVR101970-A-02

38 AIR CONDITIONING



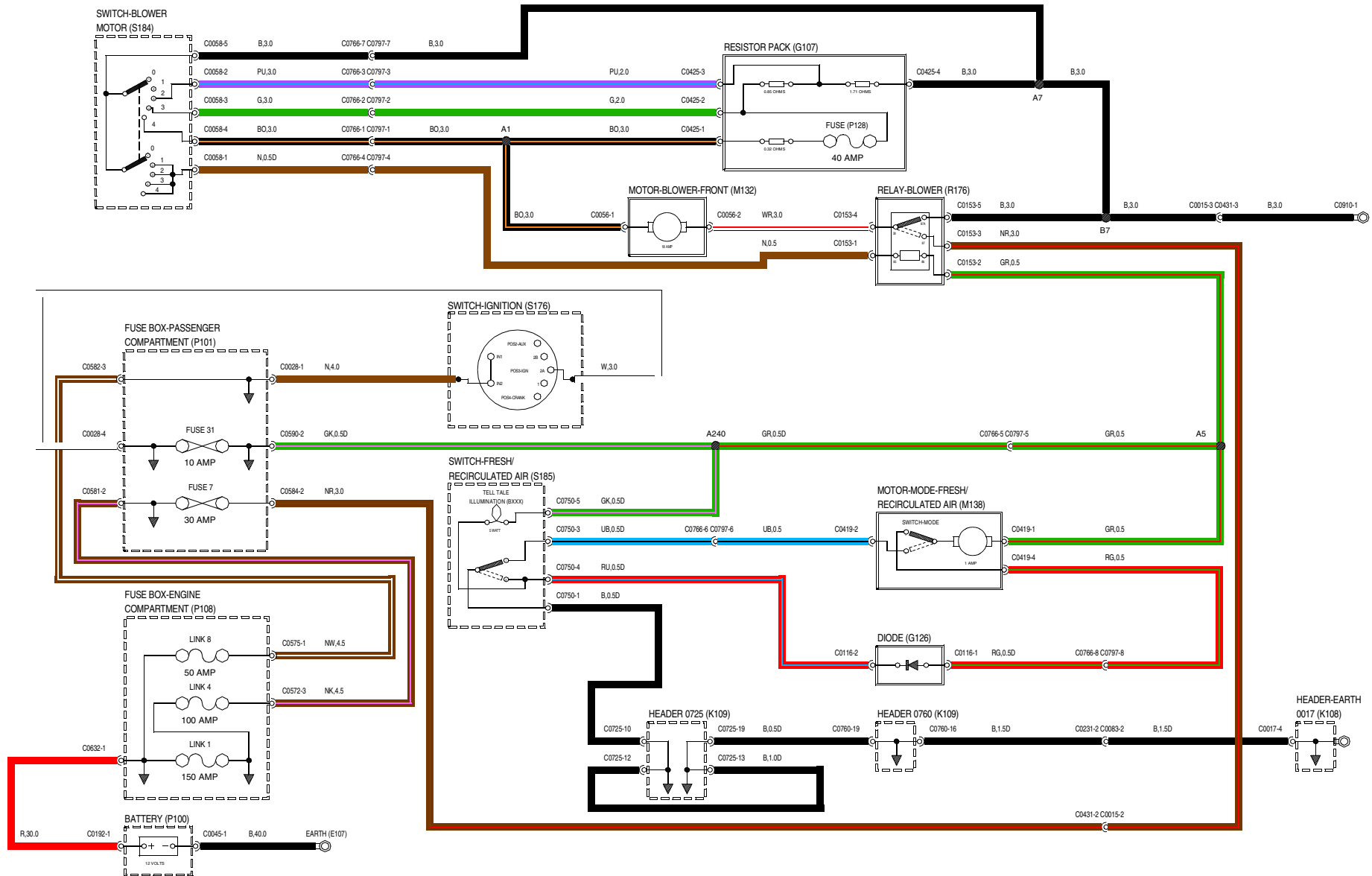
38 AIR CONDITIONING



REAR AIR CONDITIONING

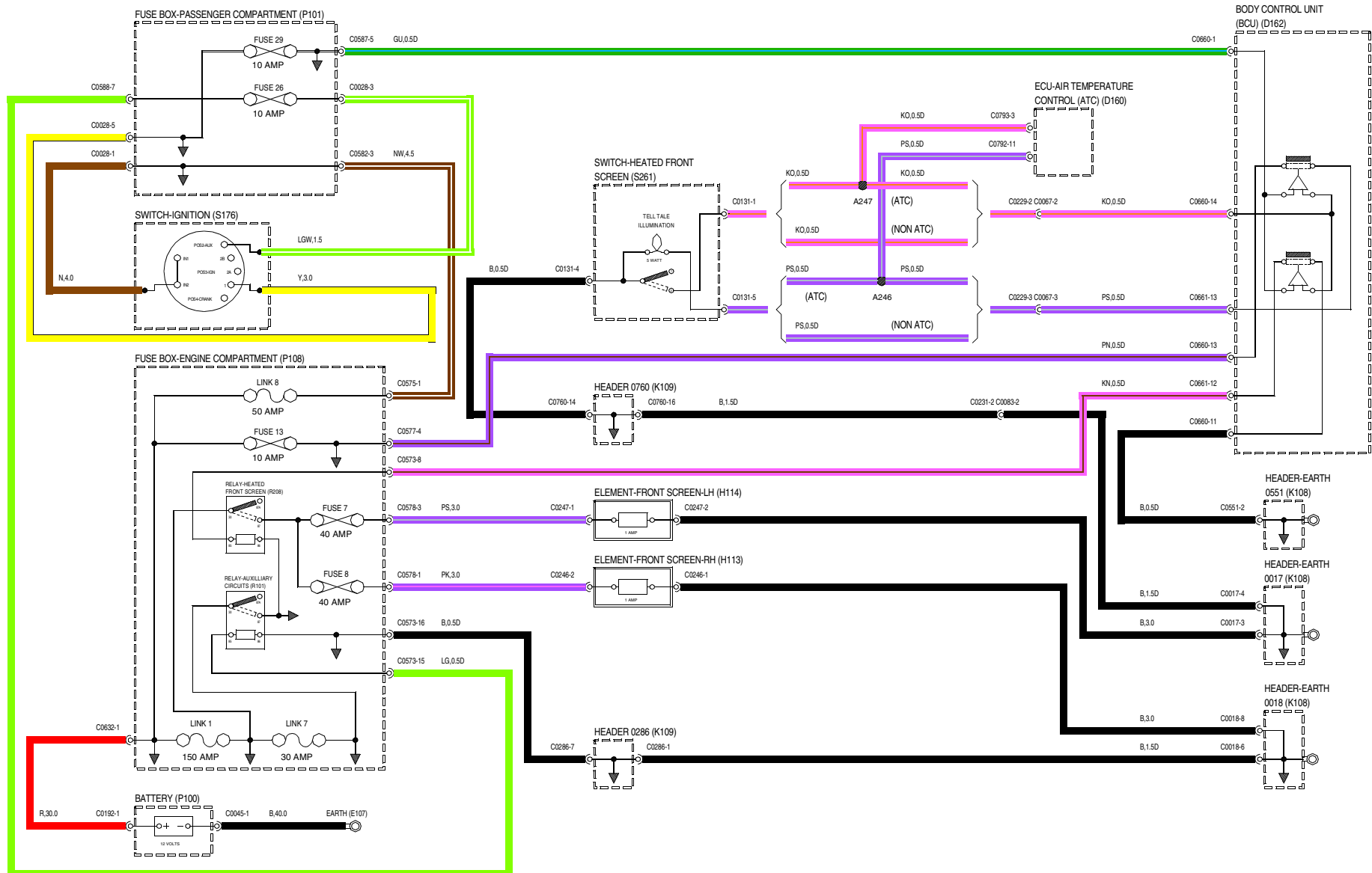
WVR101970-A-04

39 HEATER



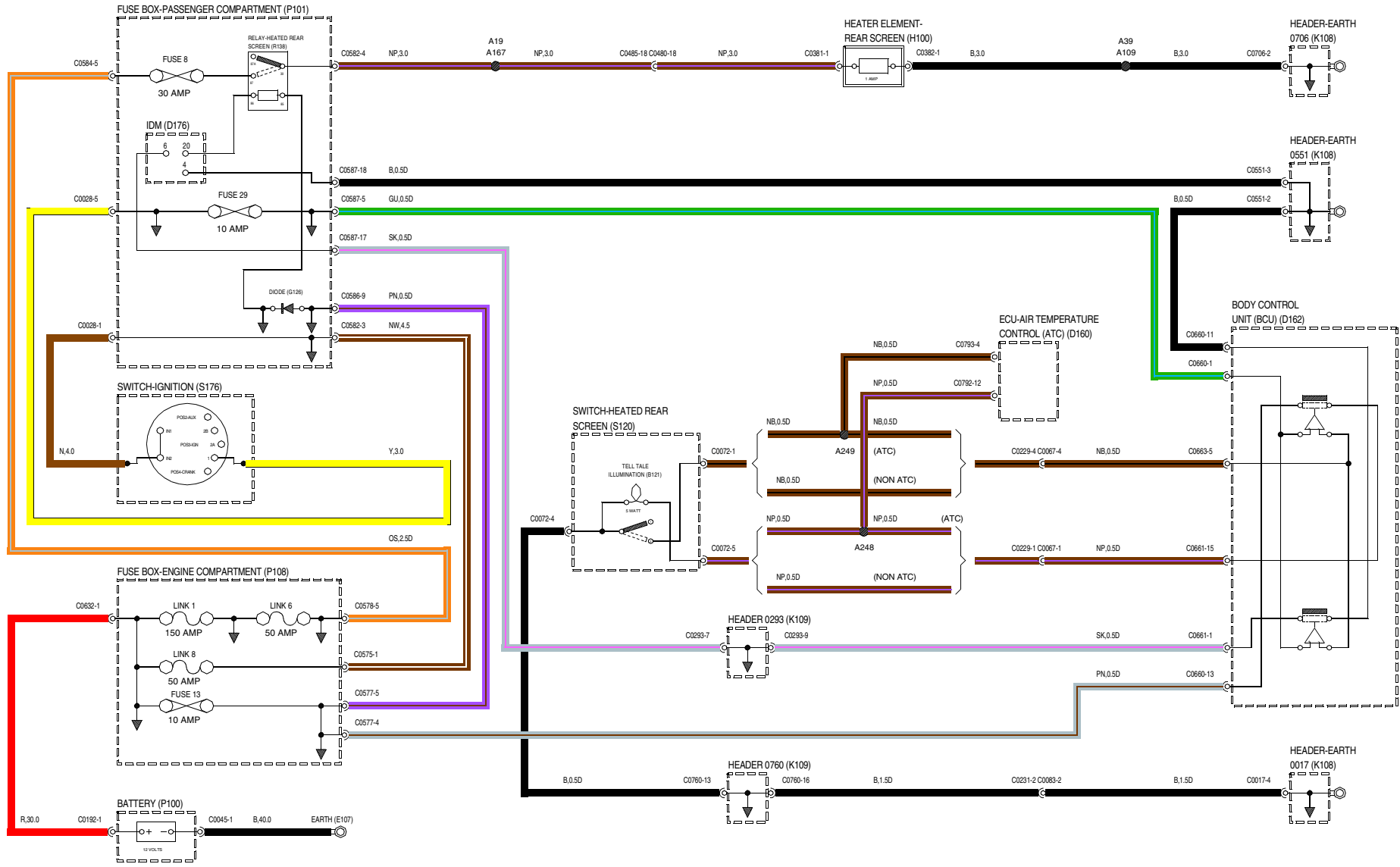
WR102050-4-01

40 HEATED FRONT SCREEN

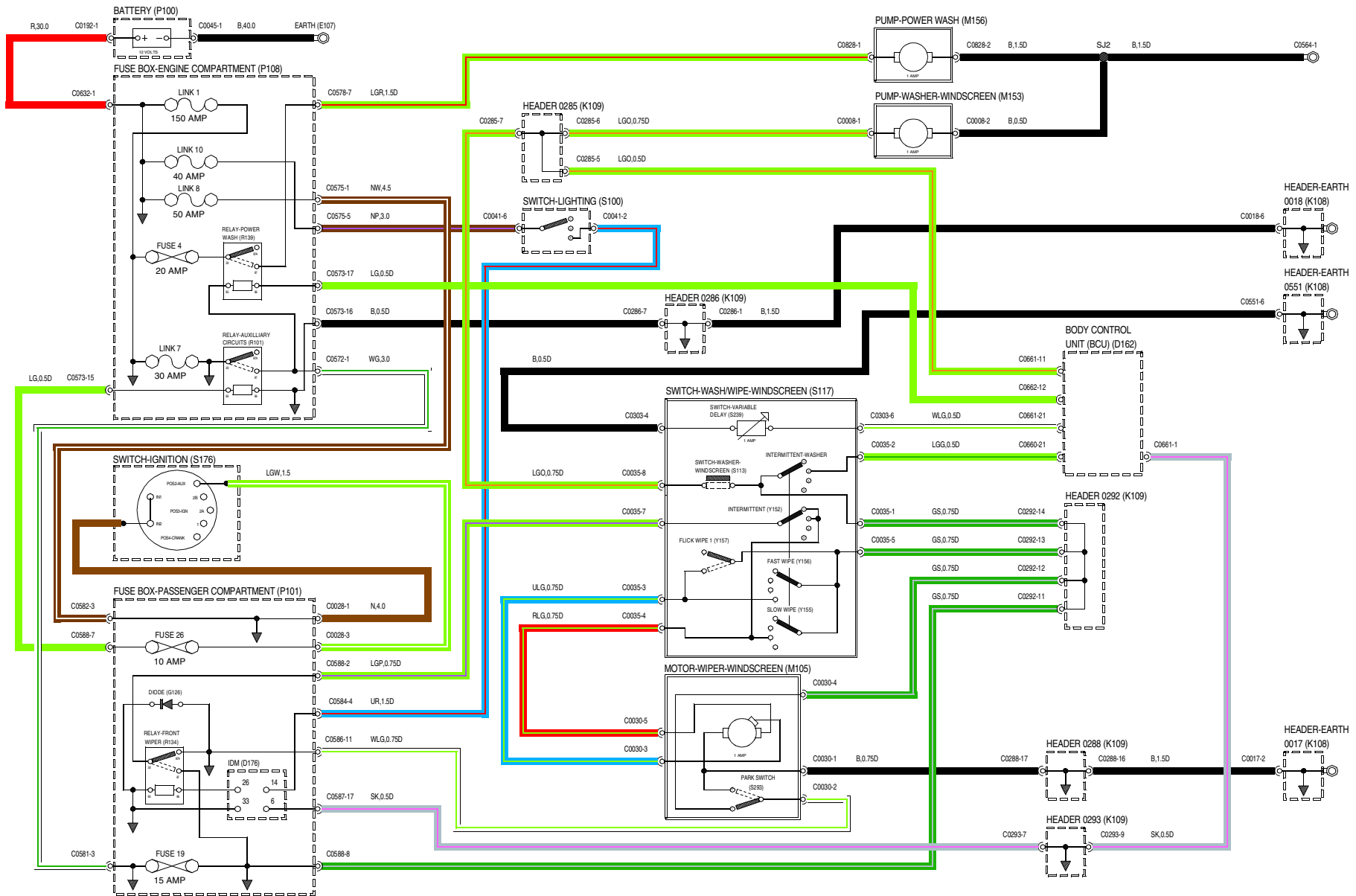


WR102120-4-01

40 HEATED REAR WINDOW



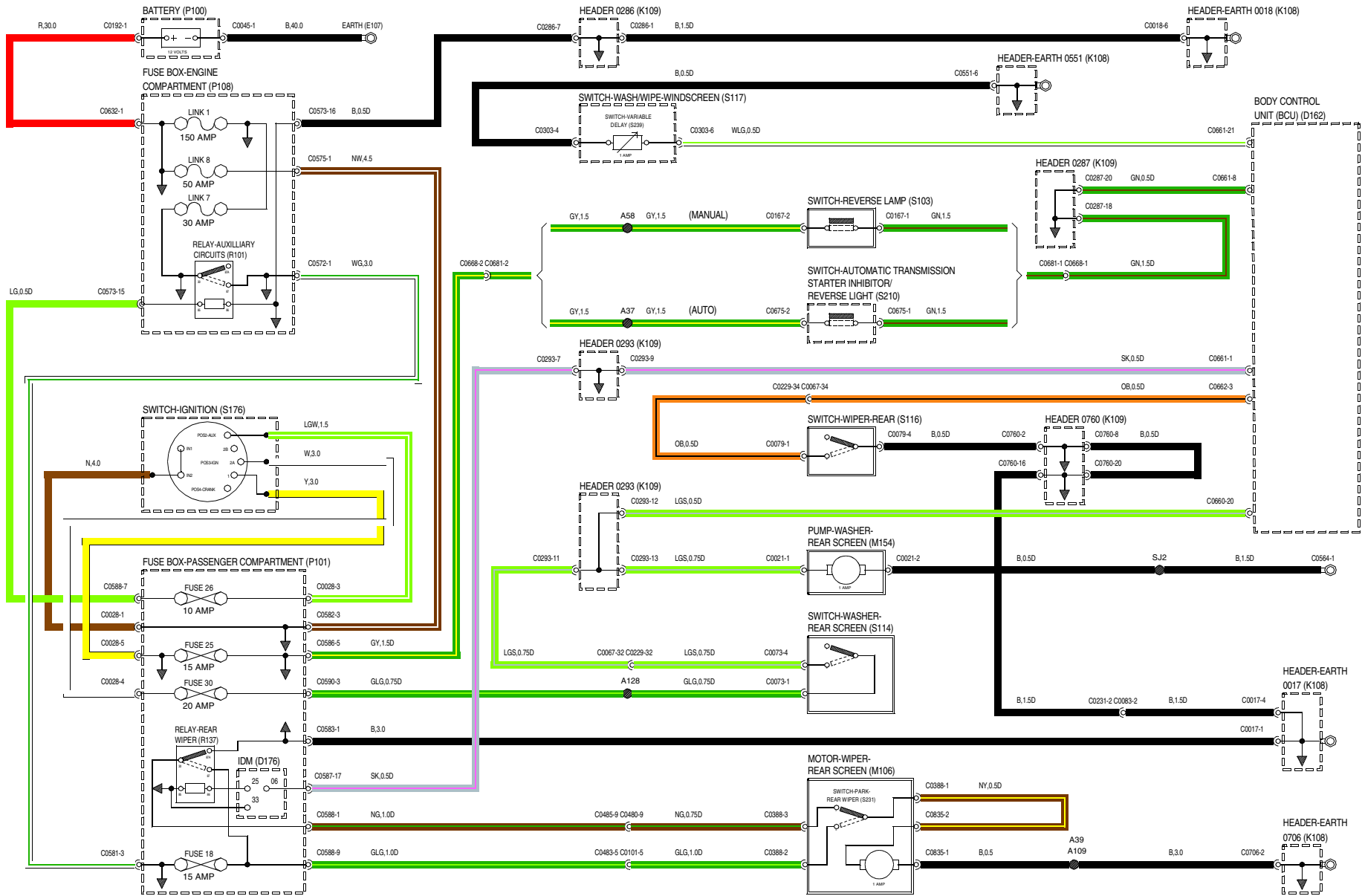
WR101940-4-01



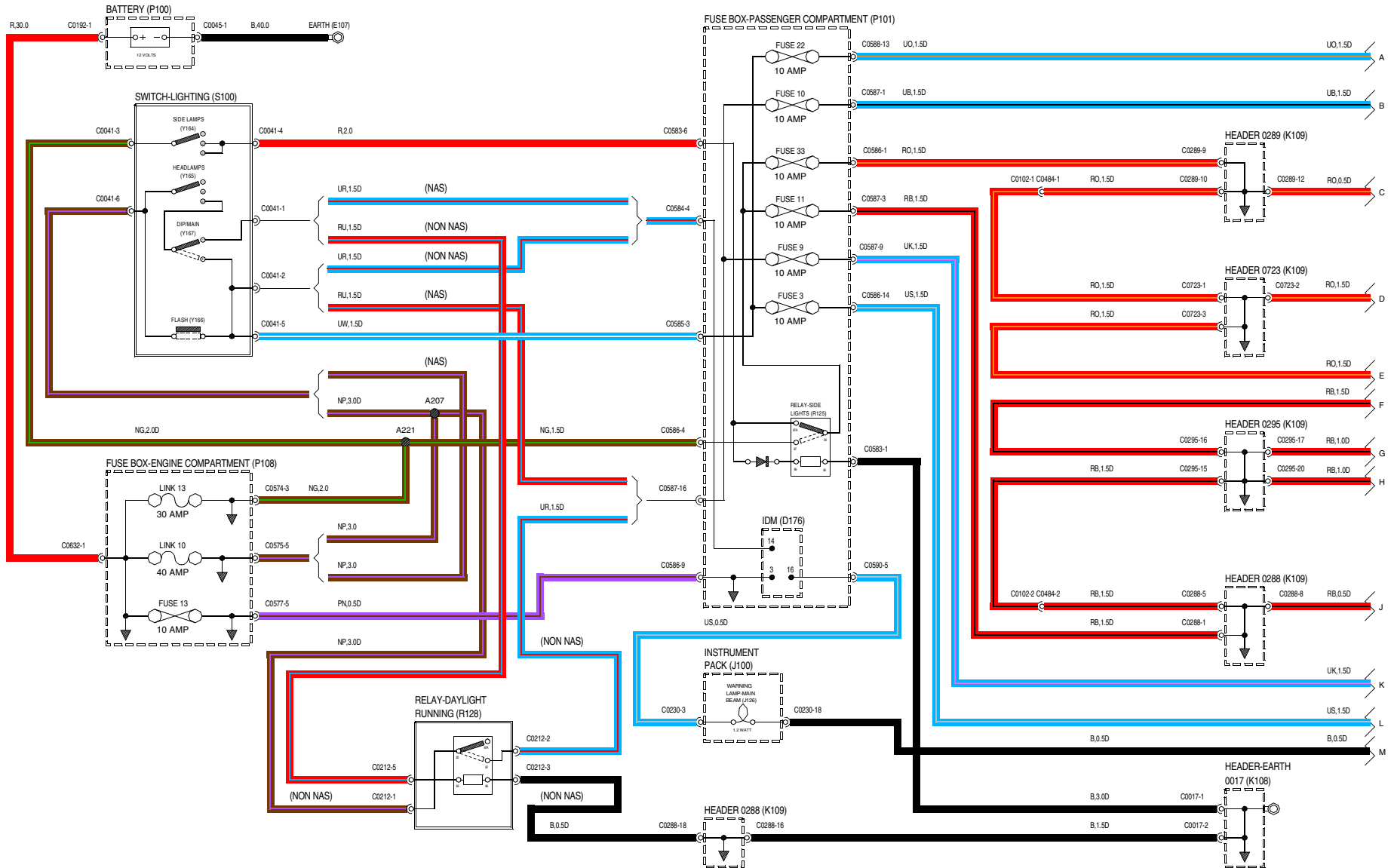
WRI102150-4-01

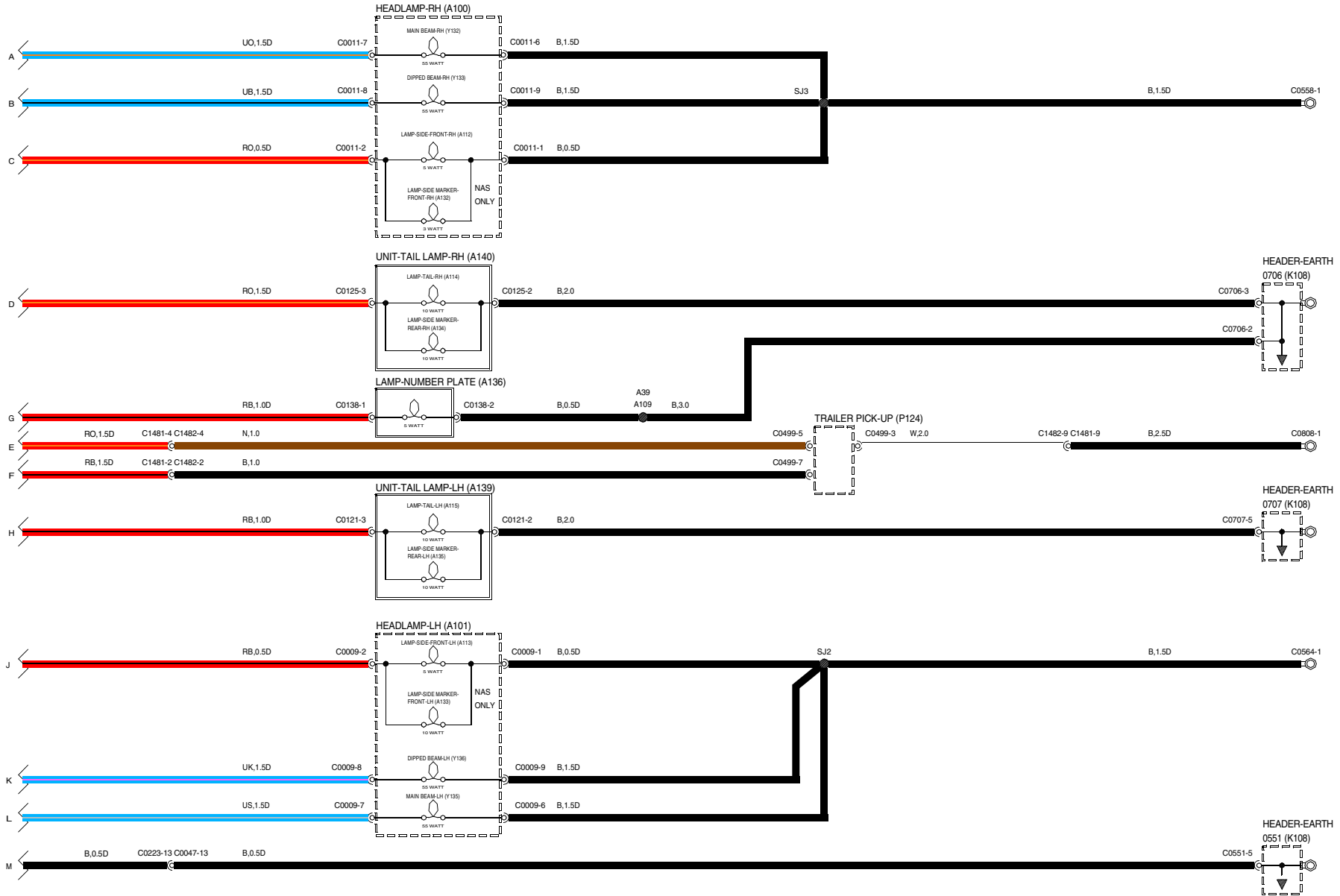
42 WIPERS AND WASHERS

Rear

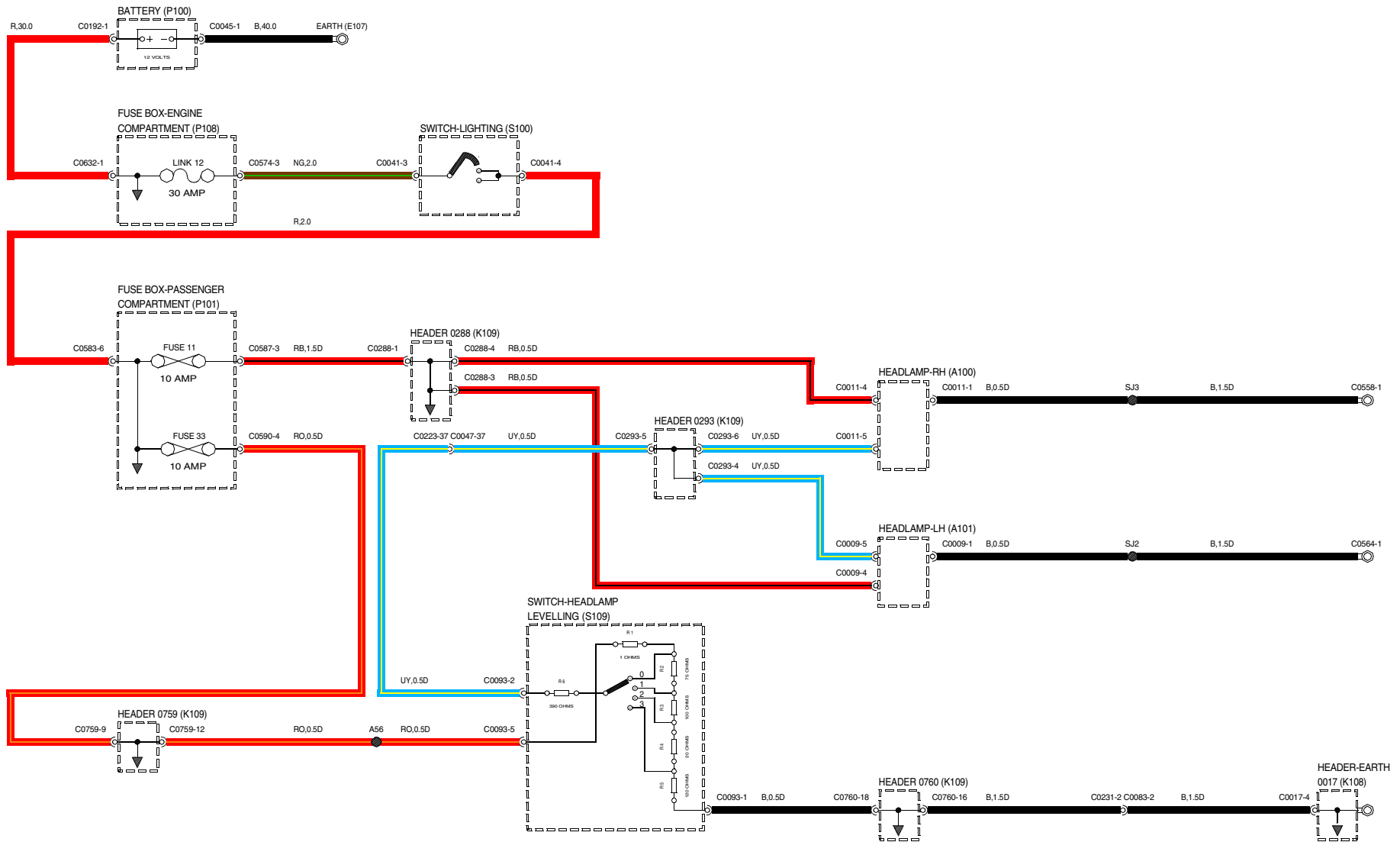


WVR104630-4-01

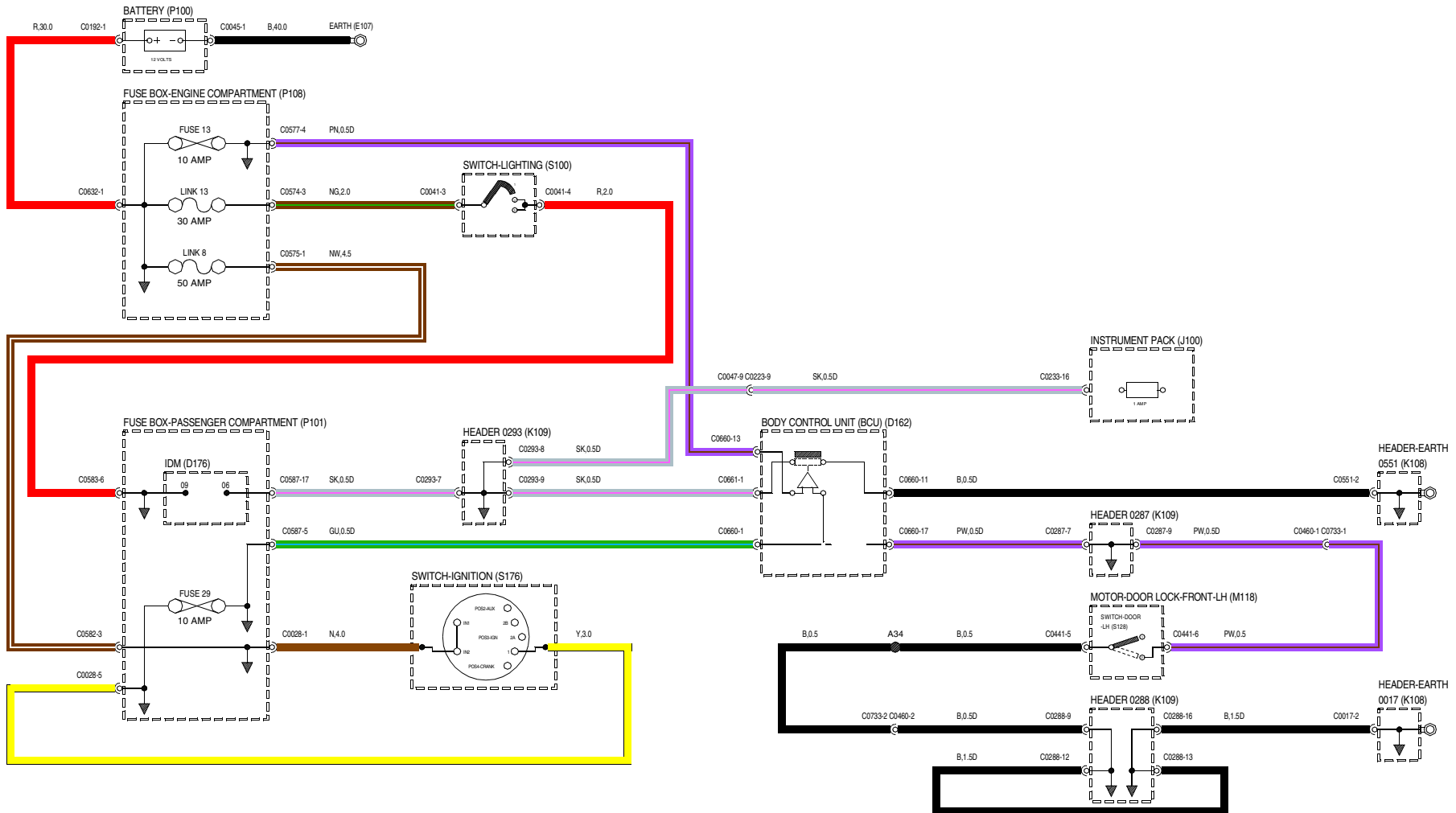


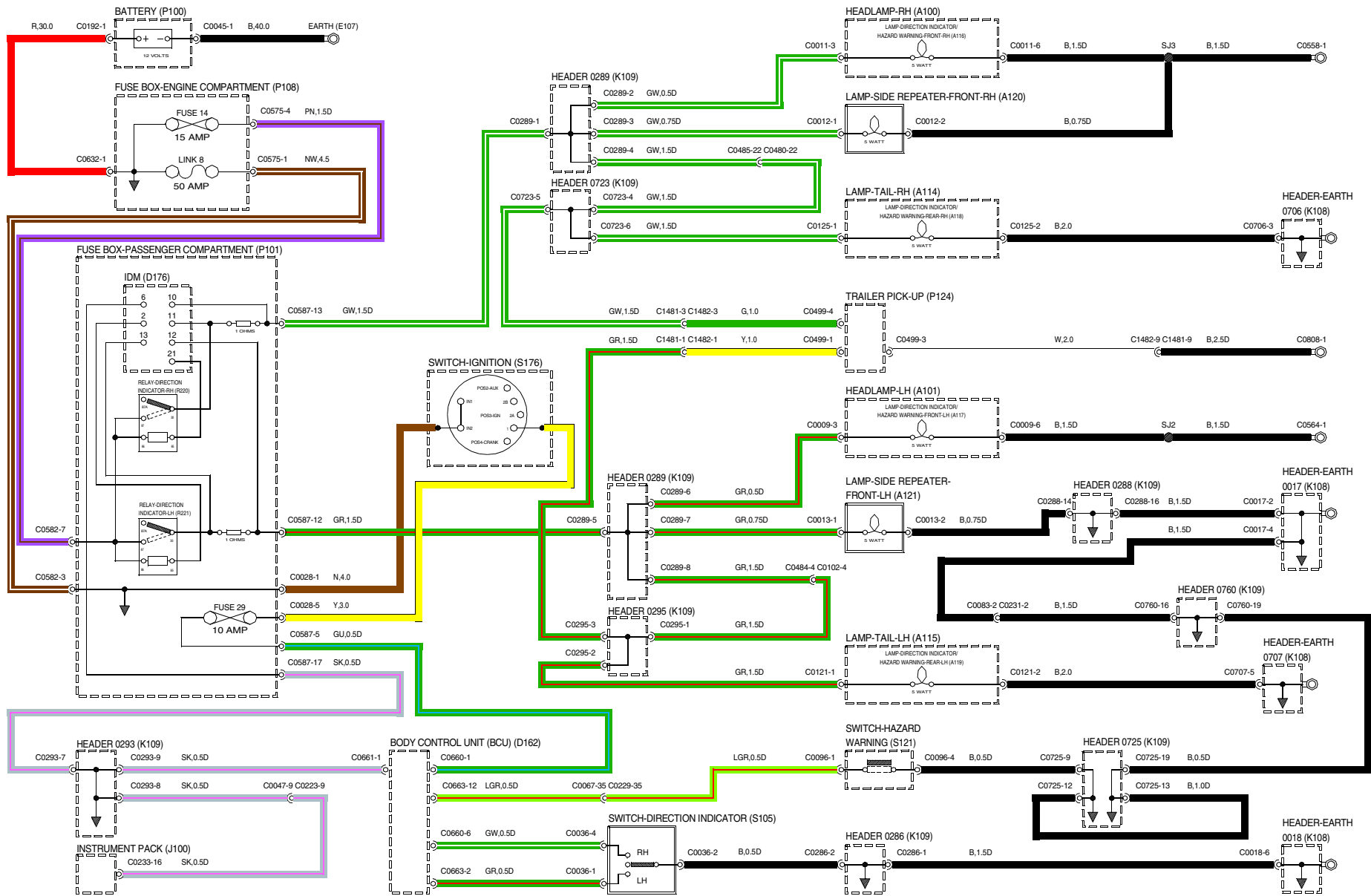


WVR105560-B-02

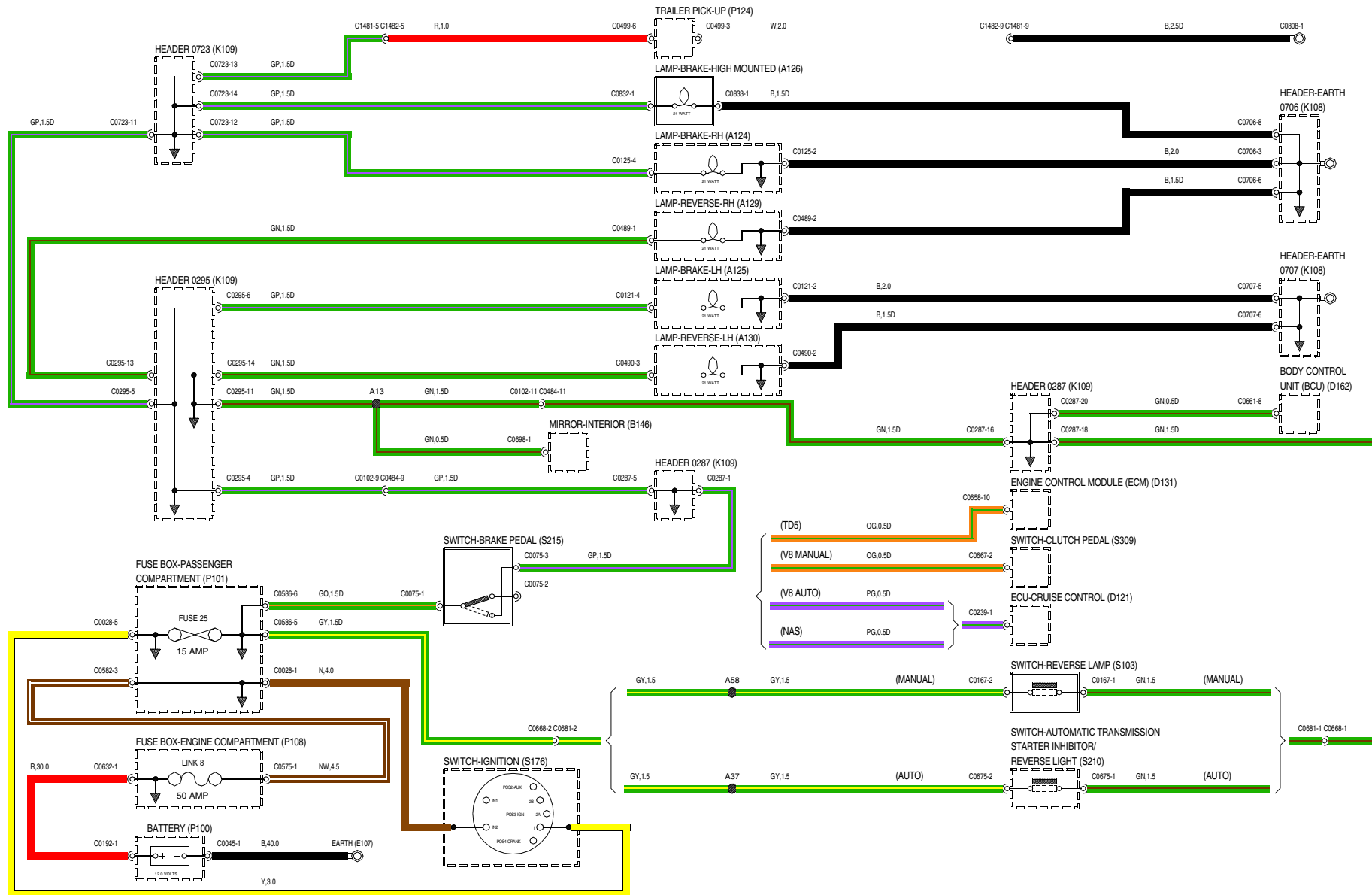


WVR105540-B-01

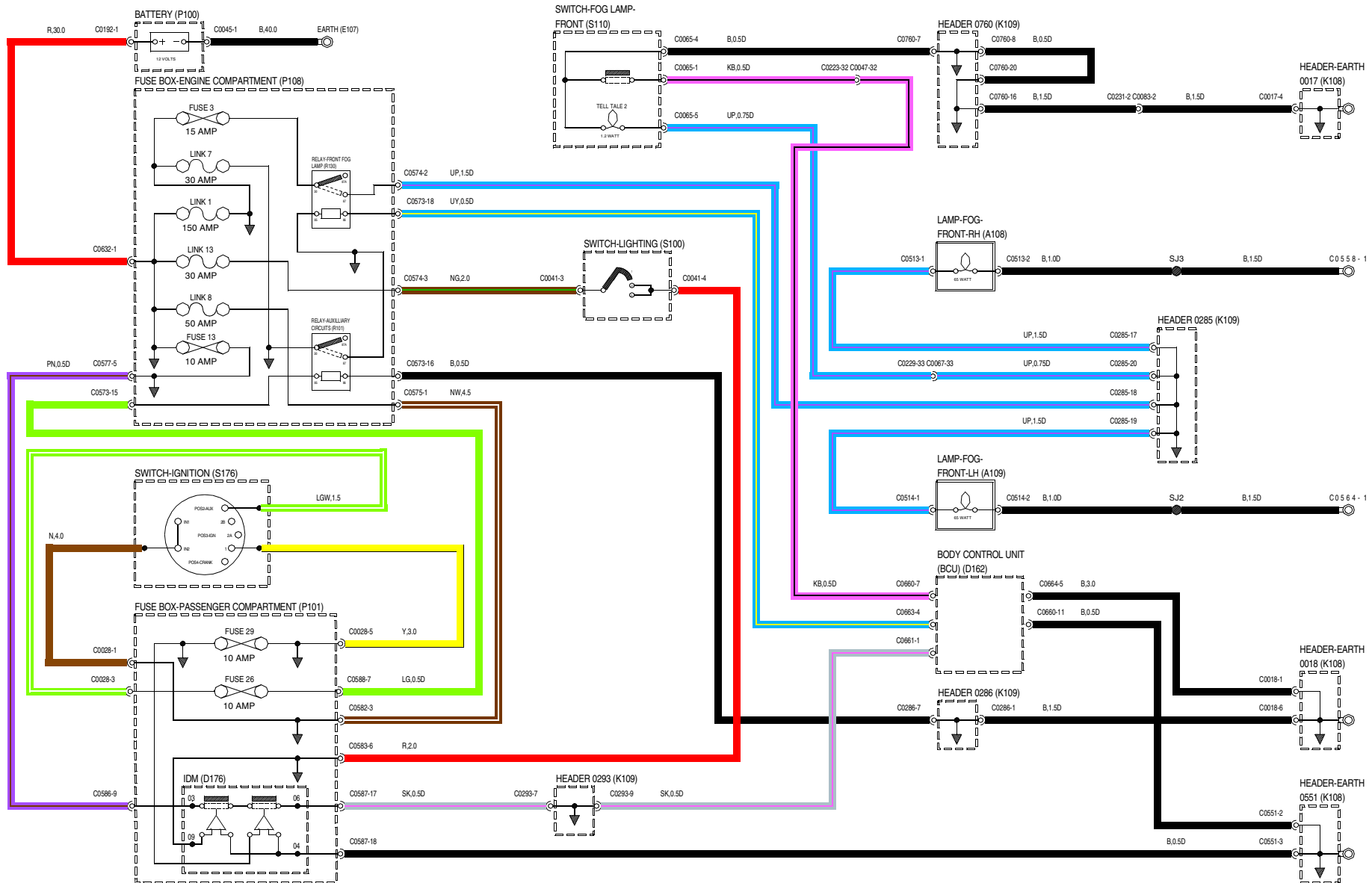




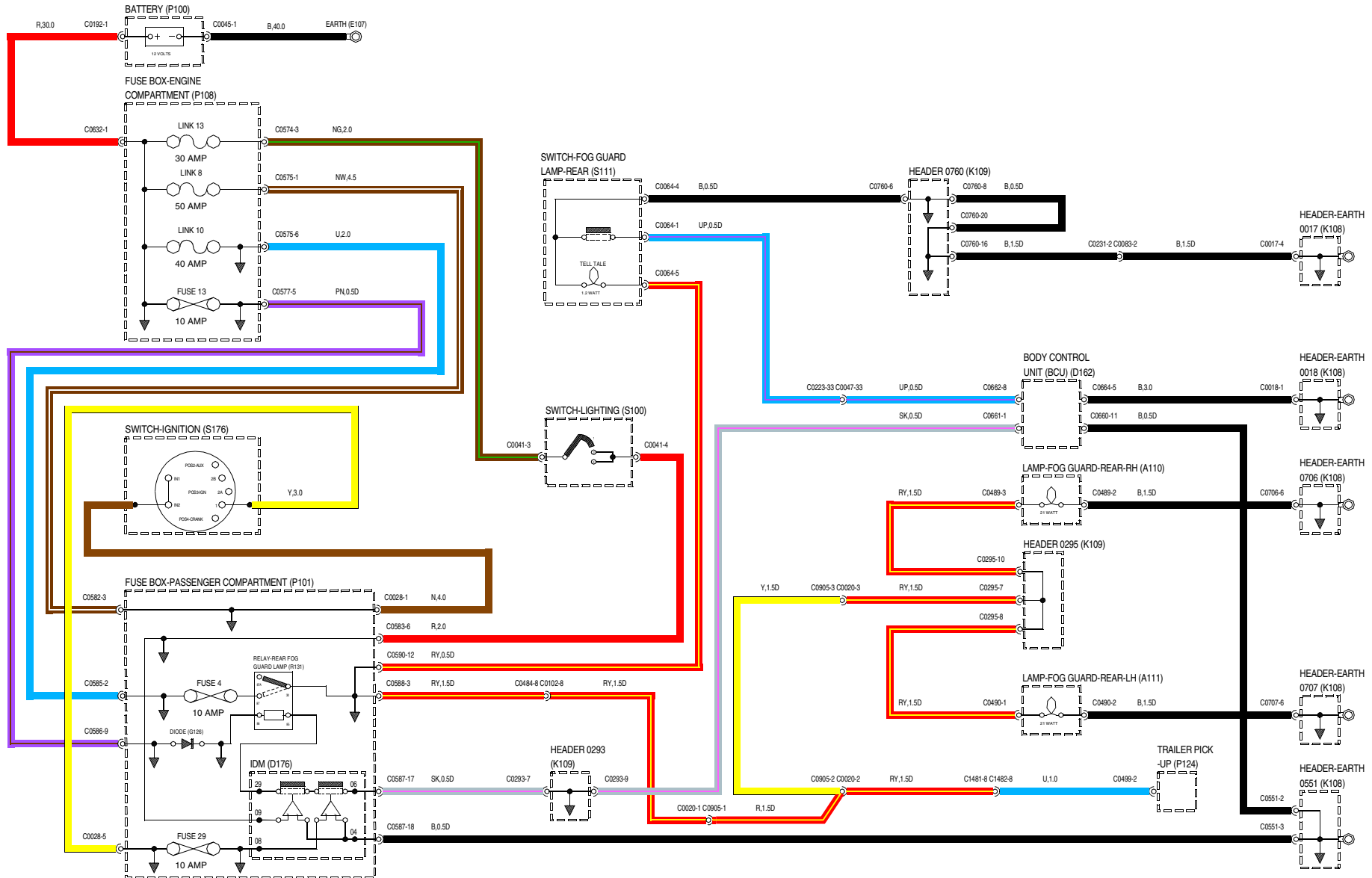
WVR102070-B-01



WR101990-4-01

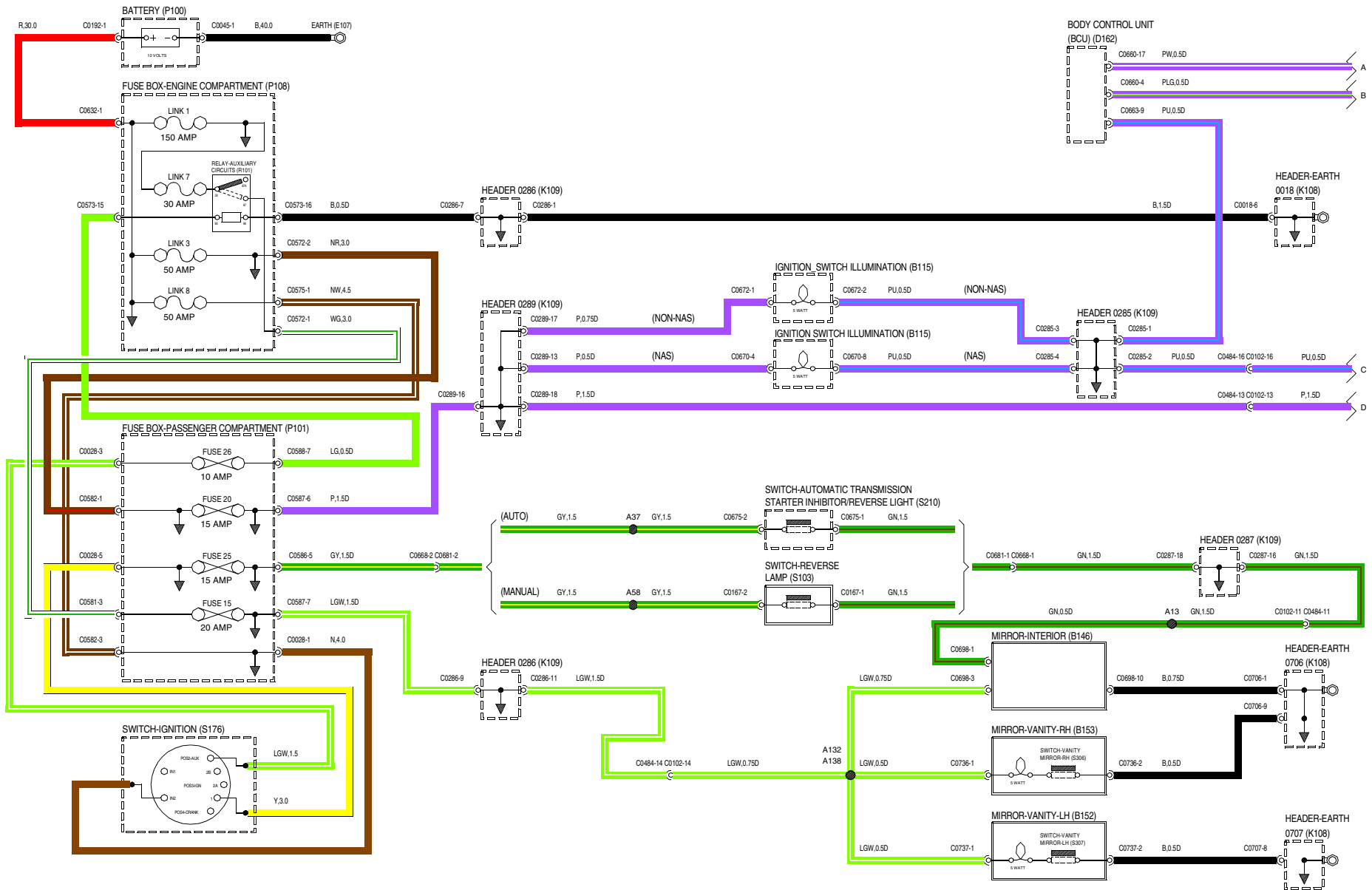


WVR105530-4-01



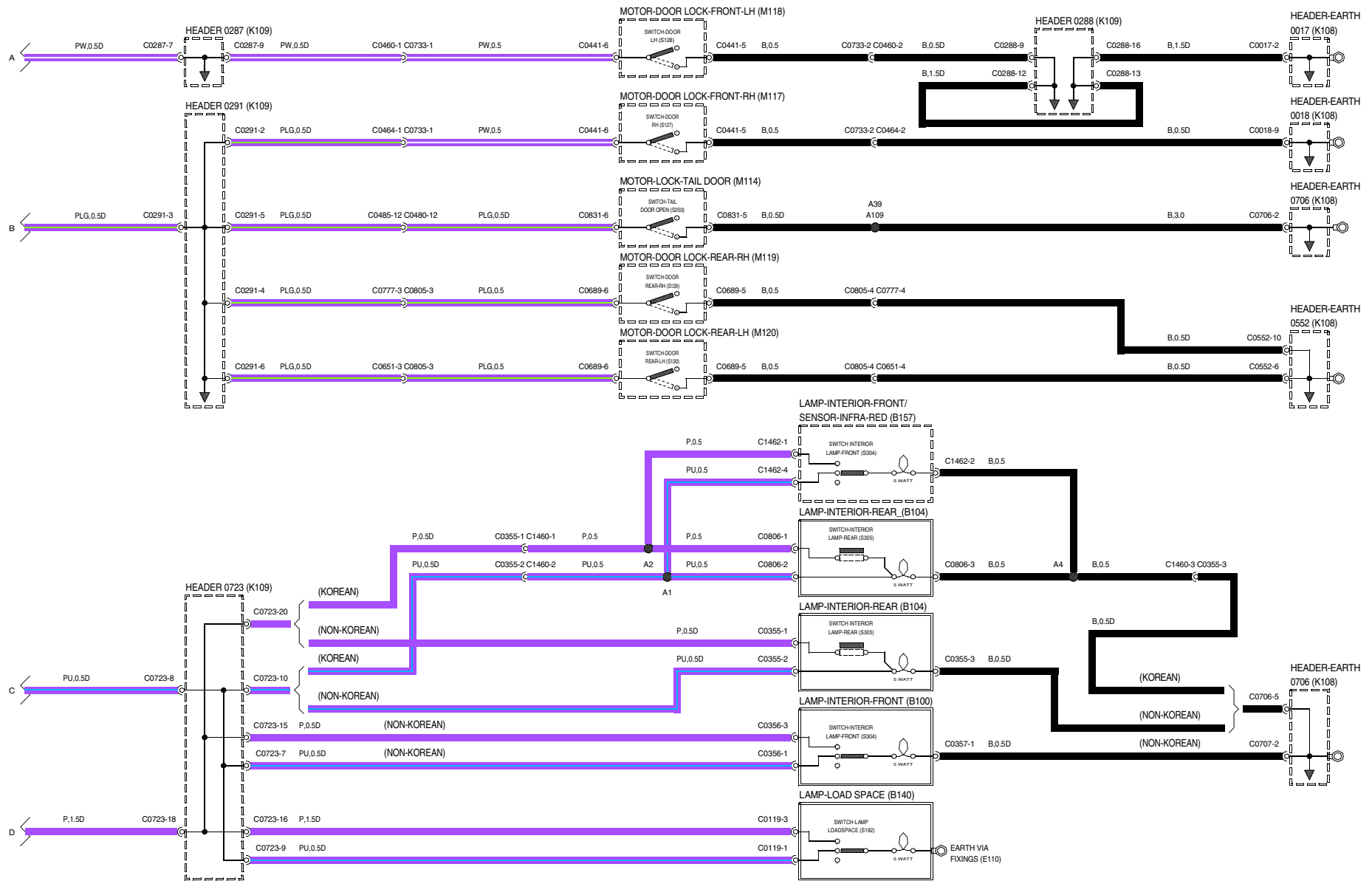
WR105590-4-01

44 INTERIOR LAMPS



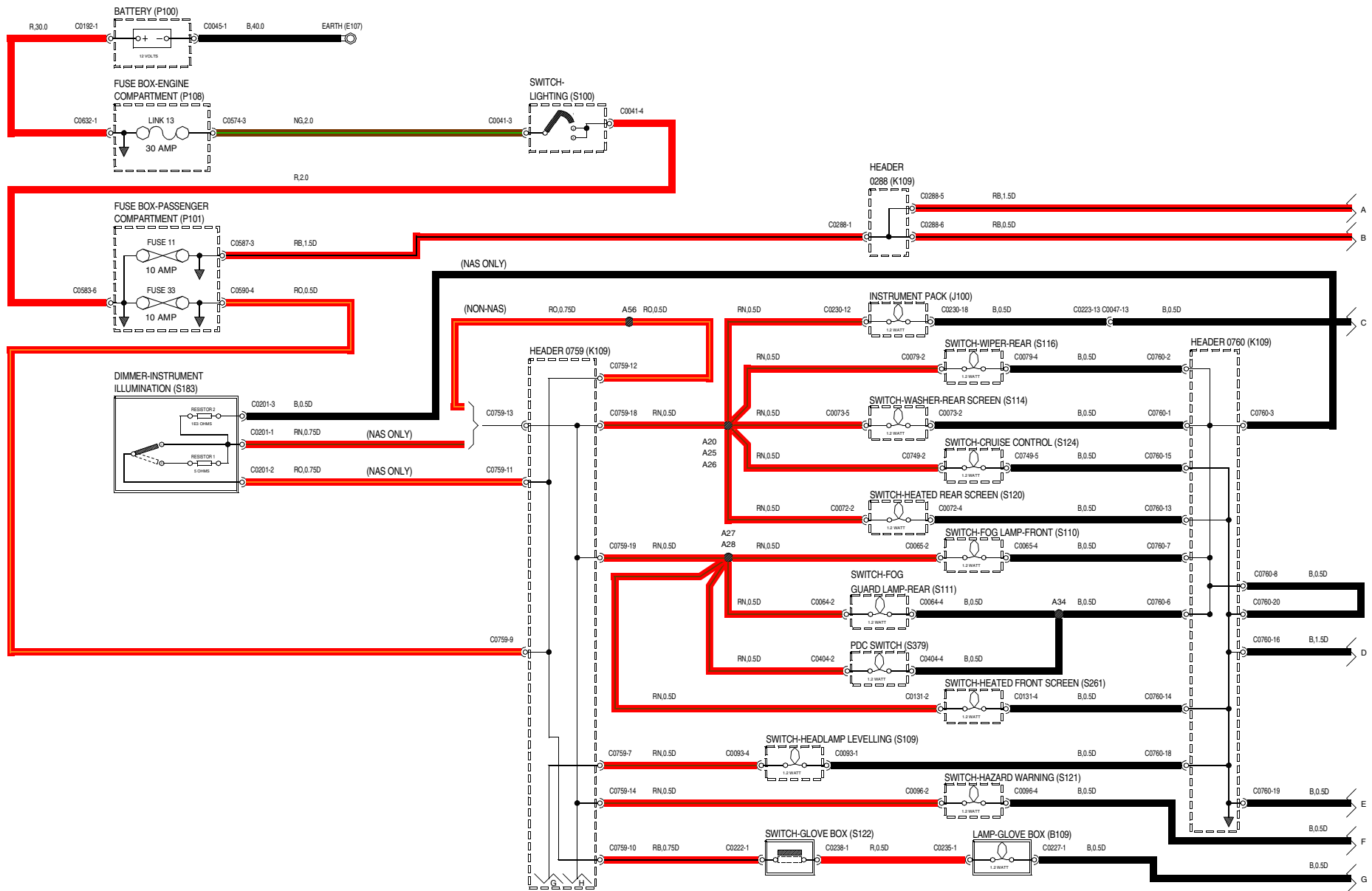
WVR105580-4-01

44 INTERIOR LAMPS



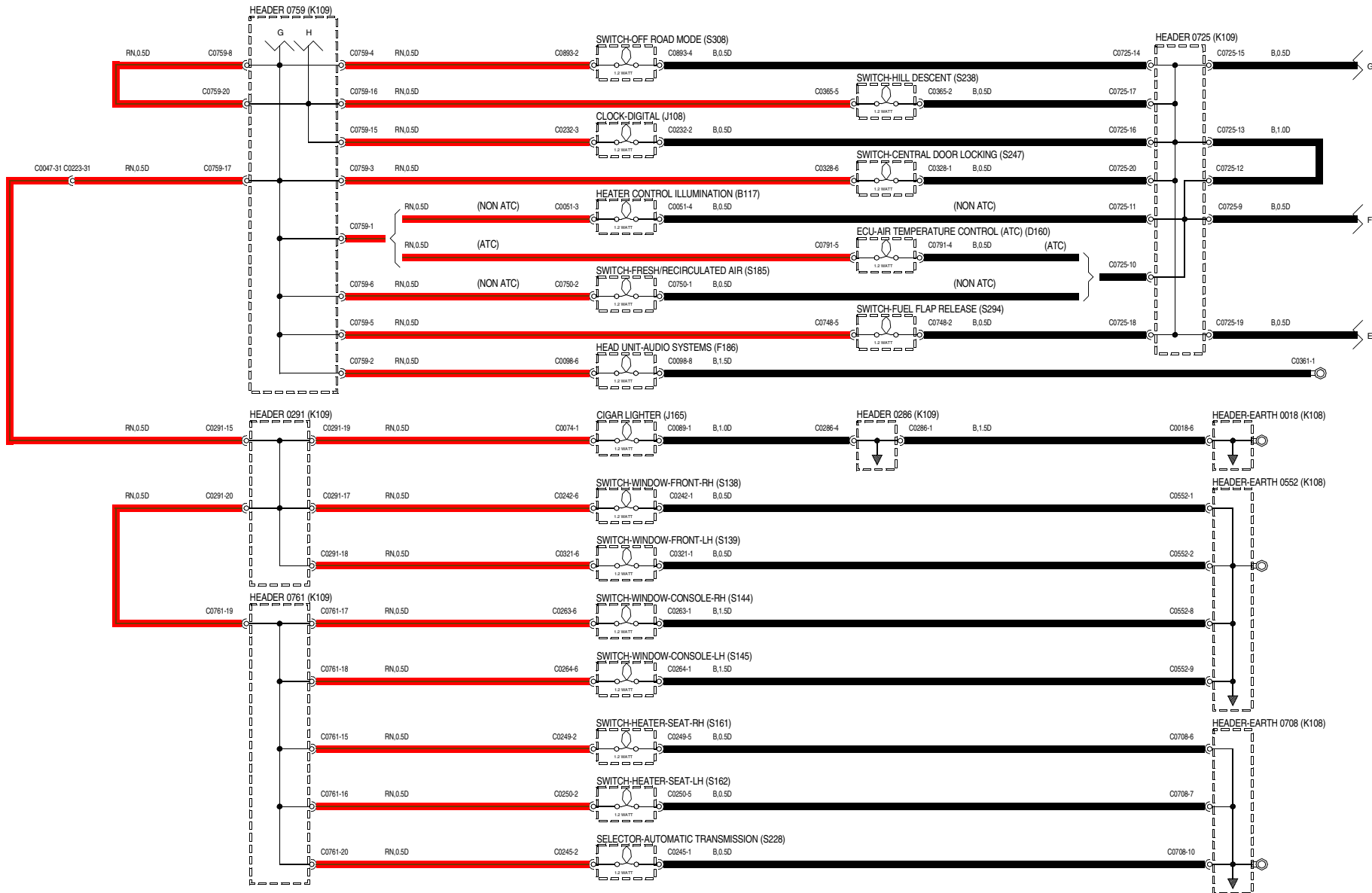
WVR105580-A-02

46 INTERIOR ILLUMINATION



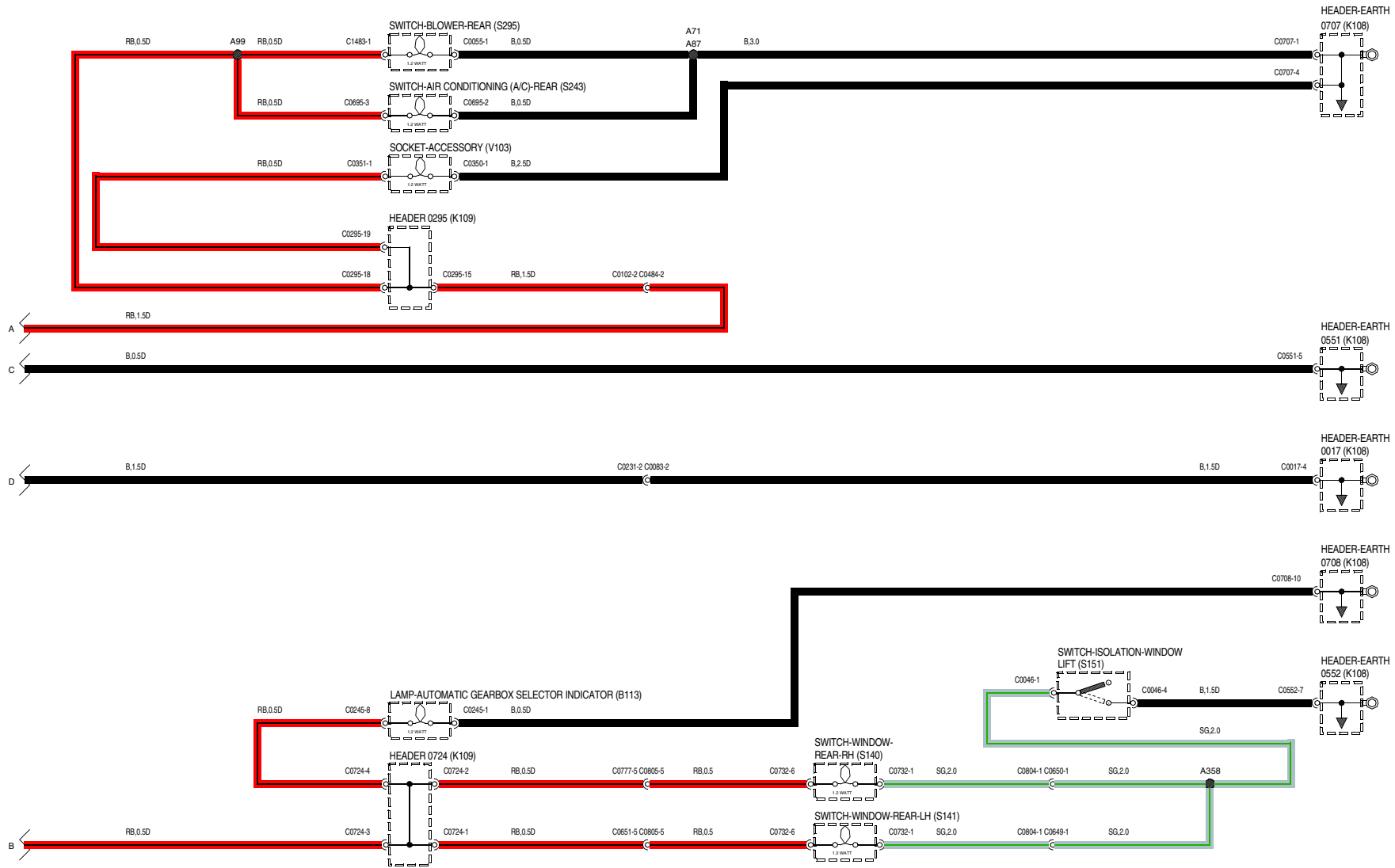
WVR102080-4-01

46 INTERIOR ILLUMINATION



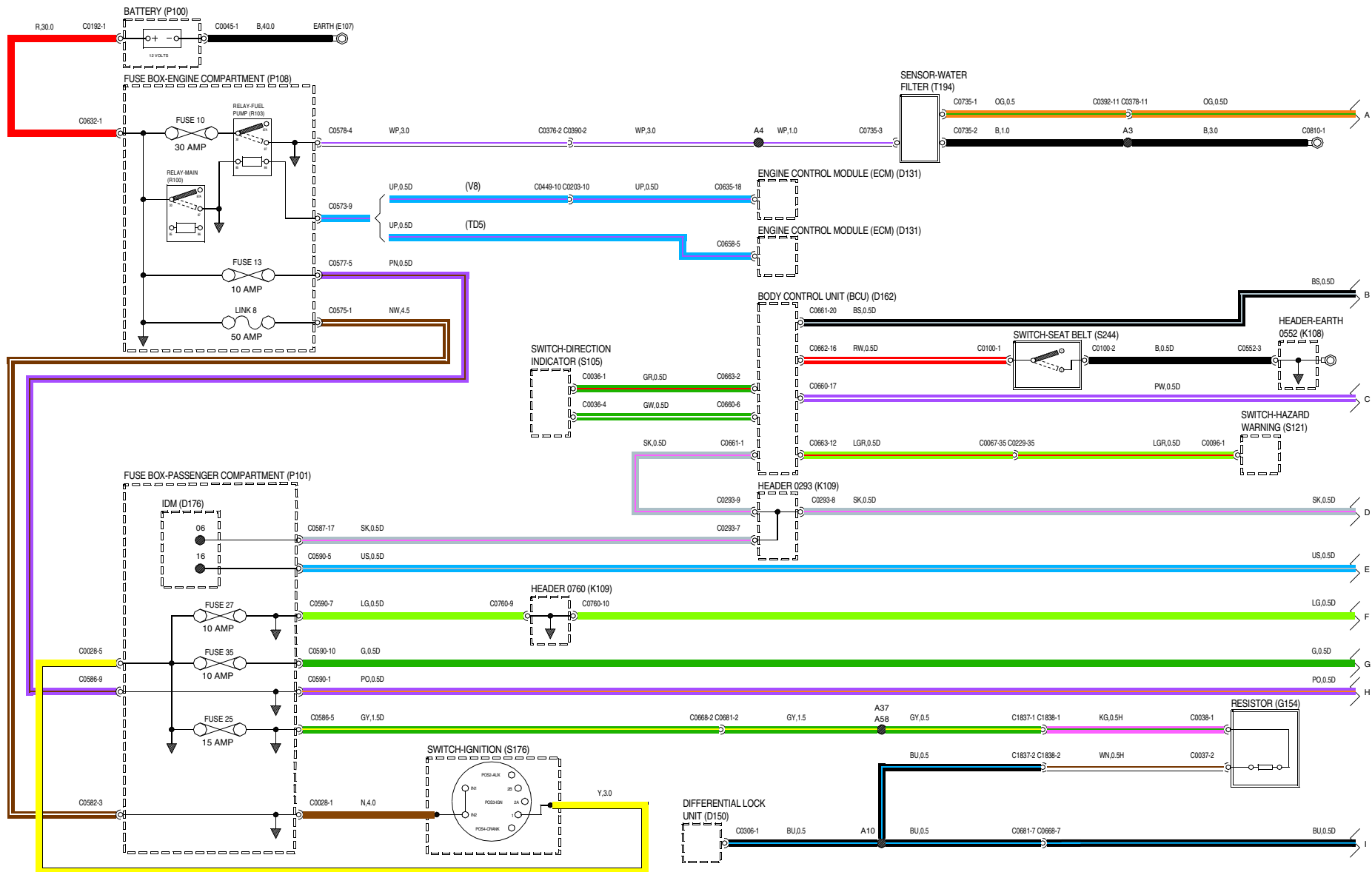
WVR102080-A-02

46 INTERIOR ILLUMINATION



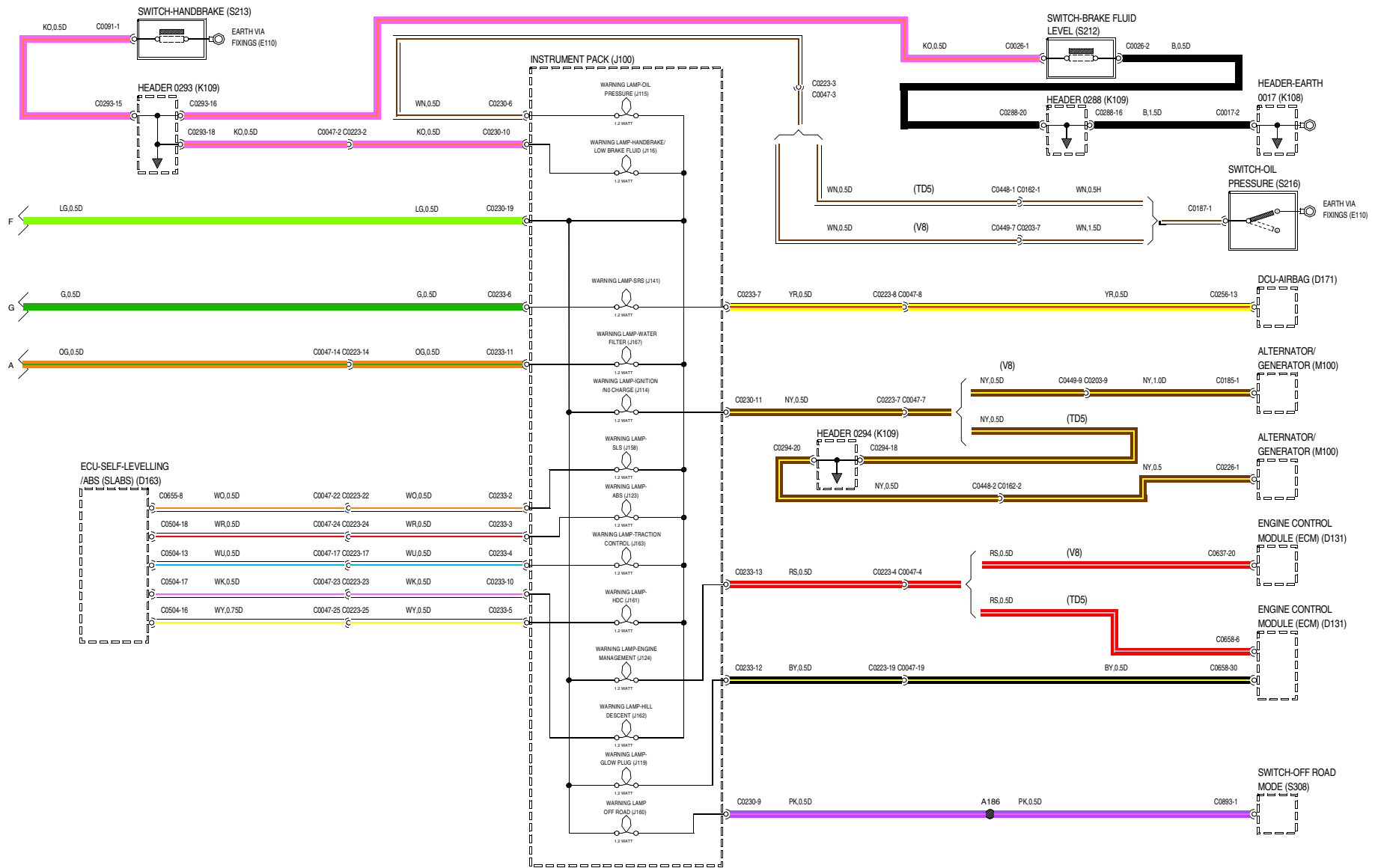
VWR102080-A-03

47 INSTRUMENTS



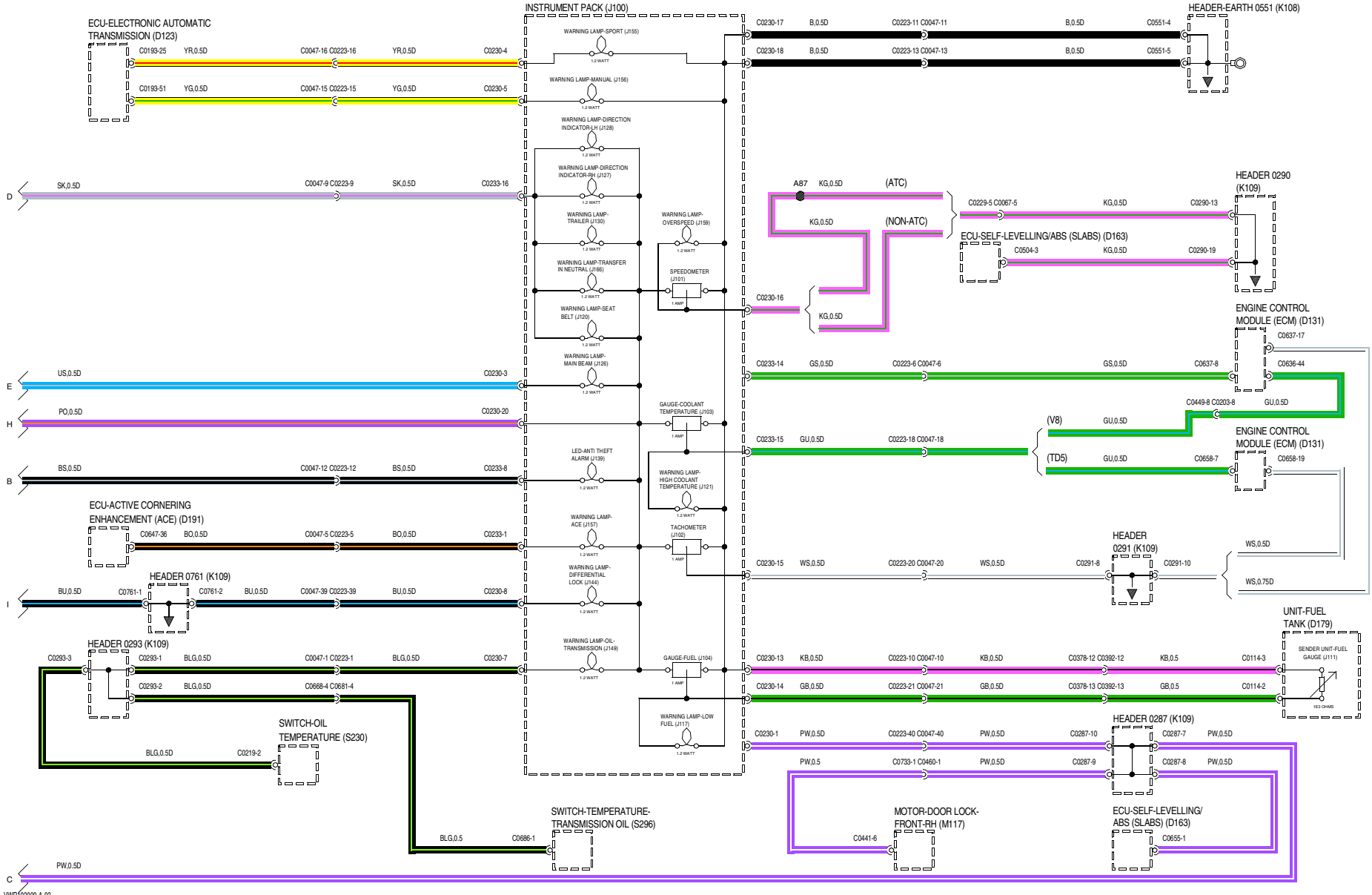
WR102030-4-01

47 INSTRUMENTS



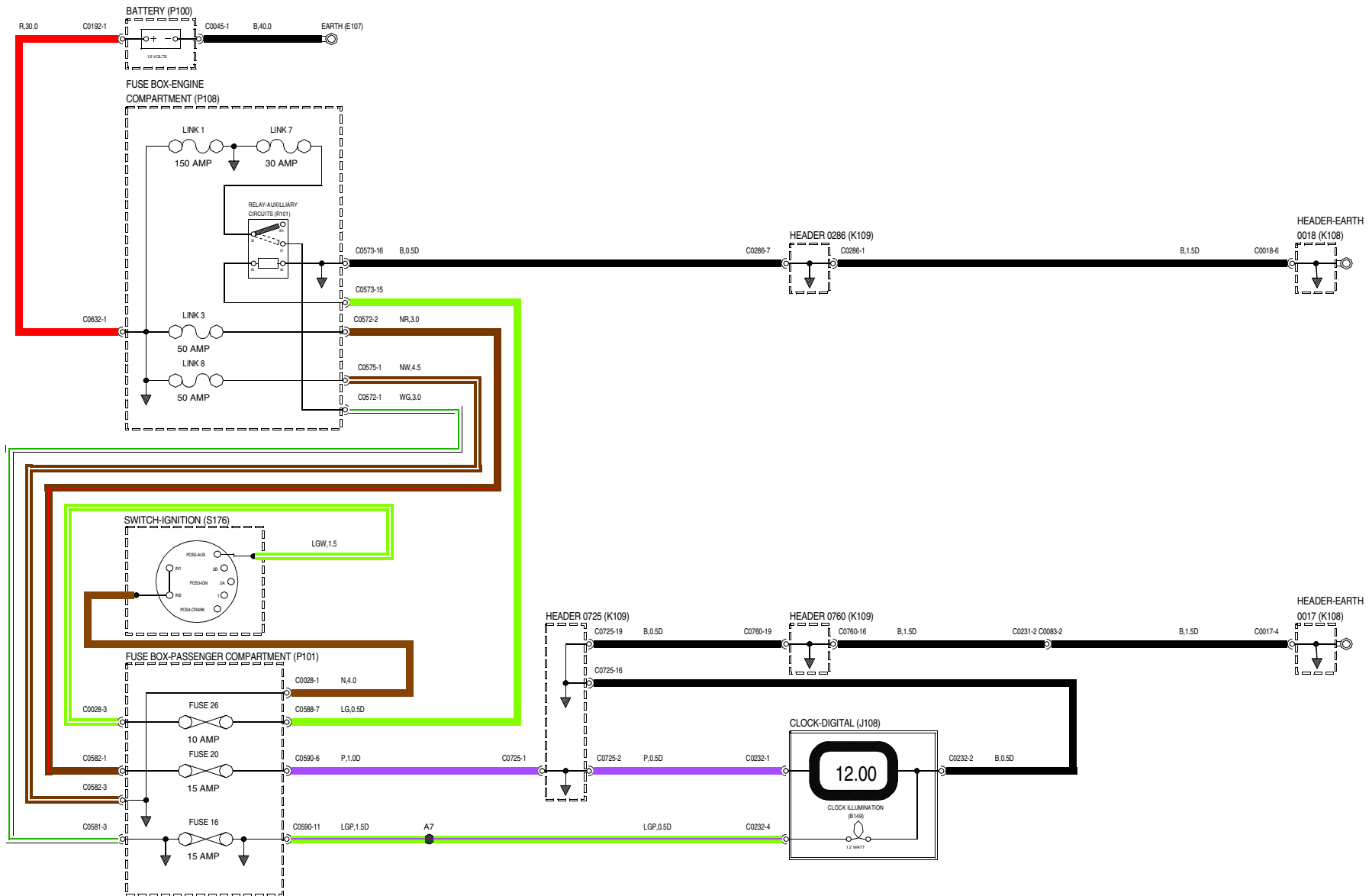
WVR102090-A-02

47 INSTRUMENTS



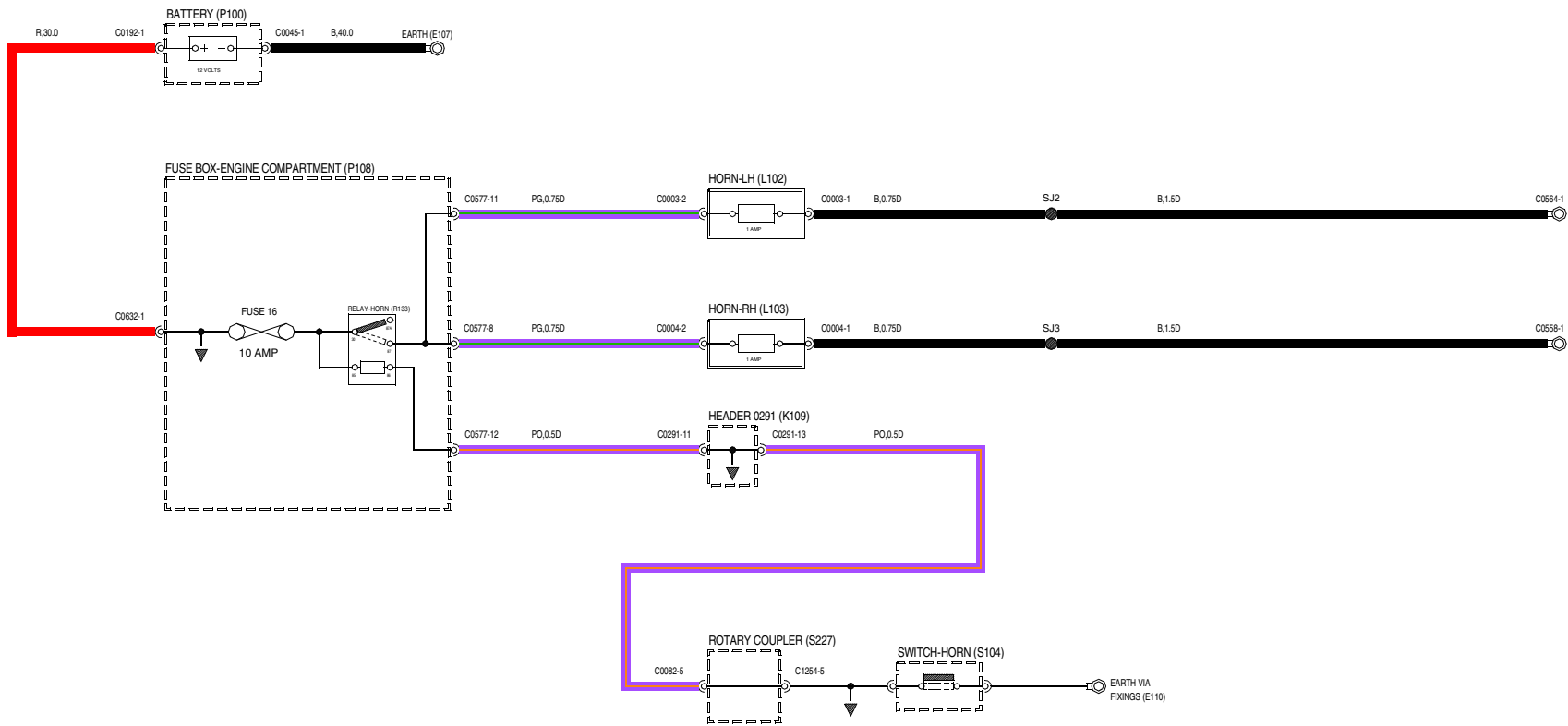
WVR102090-A-03

48 CLOCK

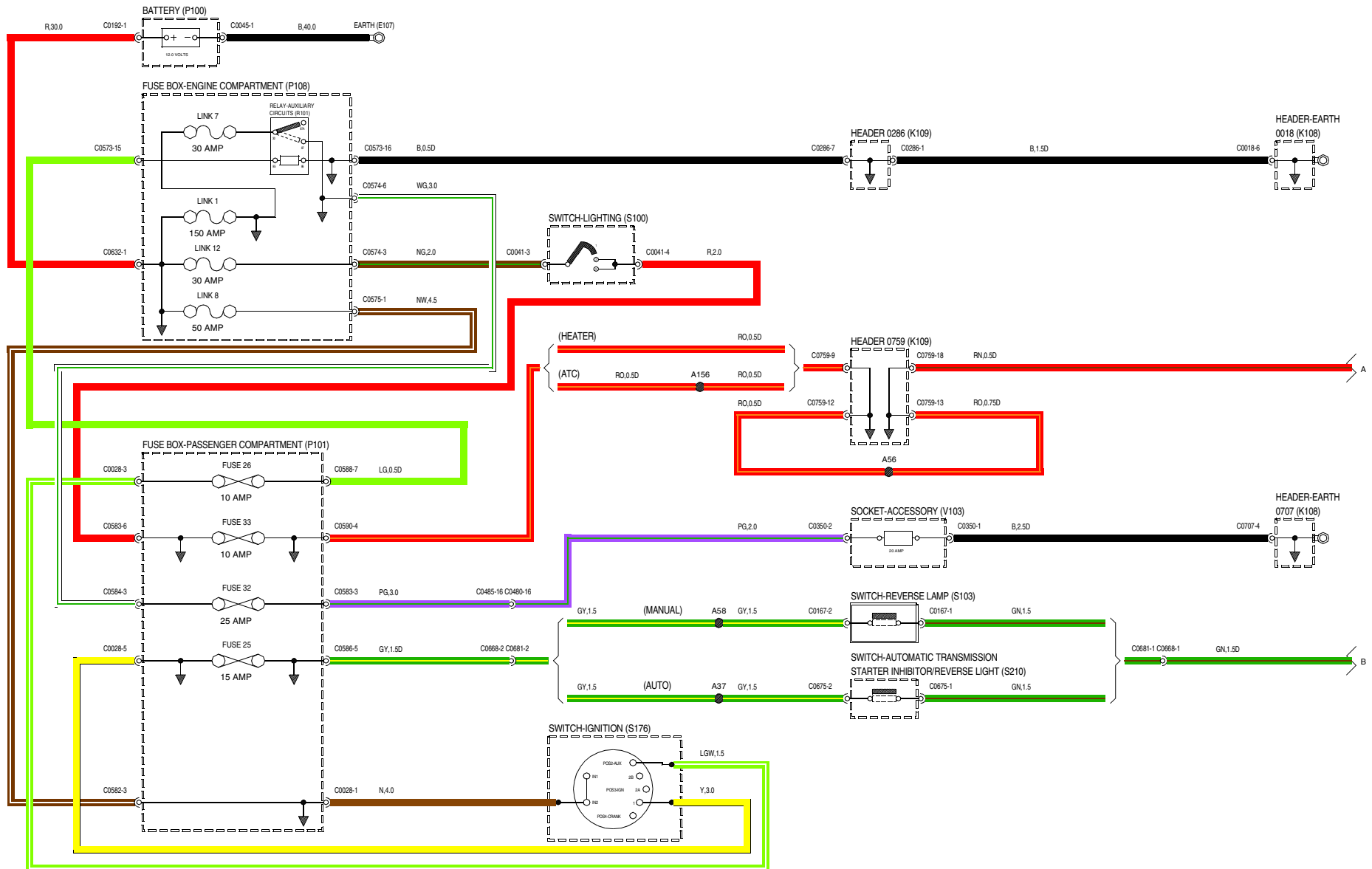


WVR102020-4-01

48 HORN (S)

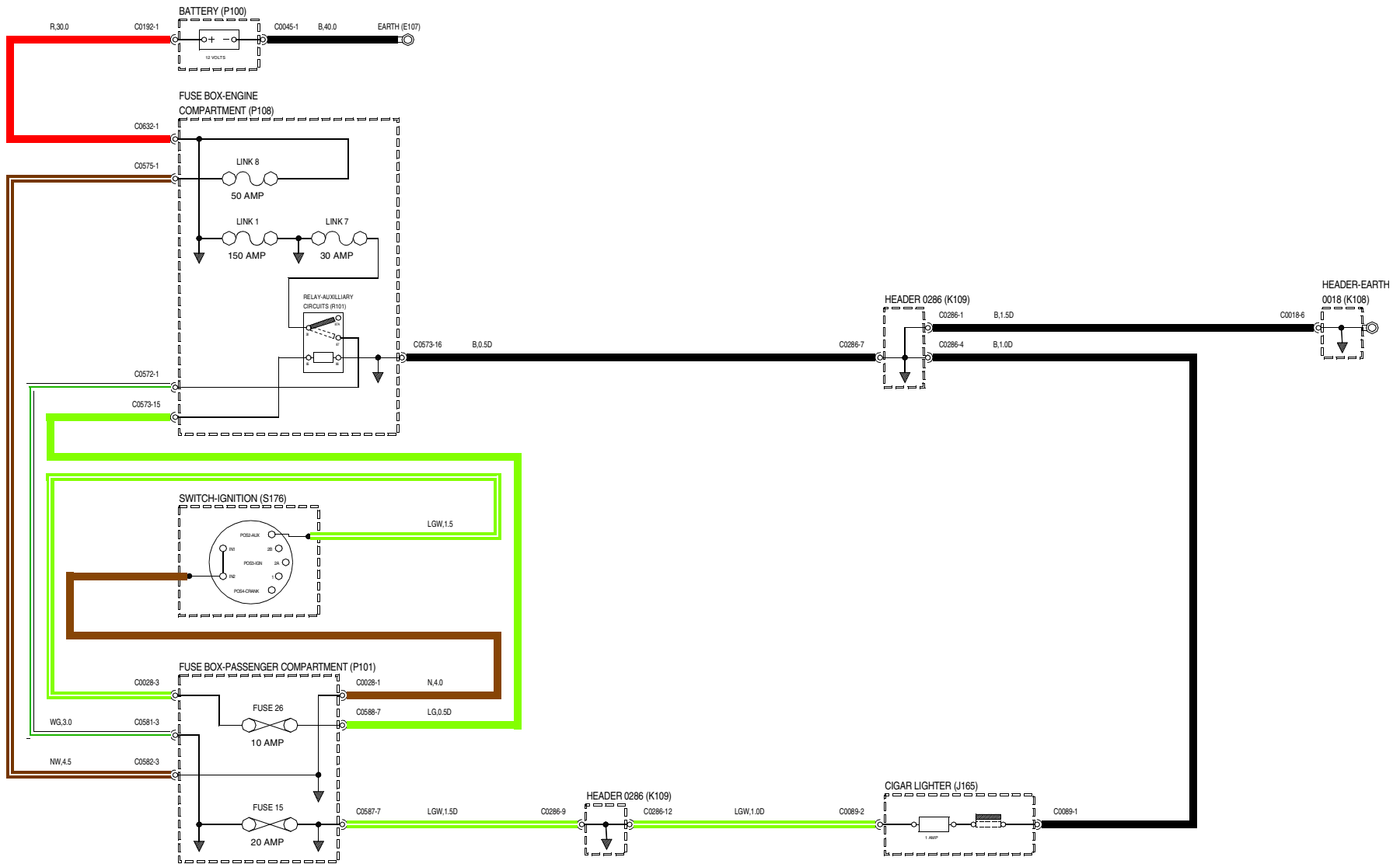


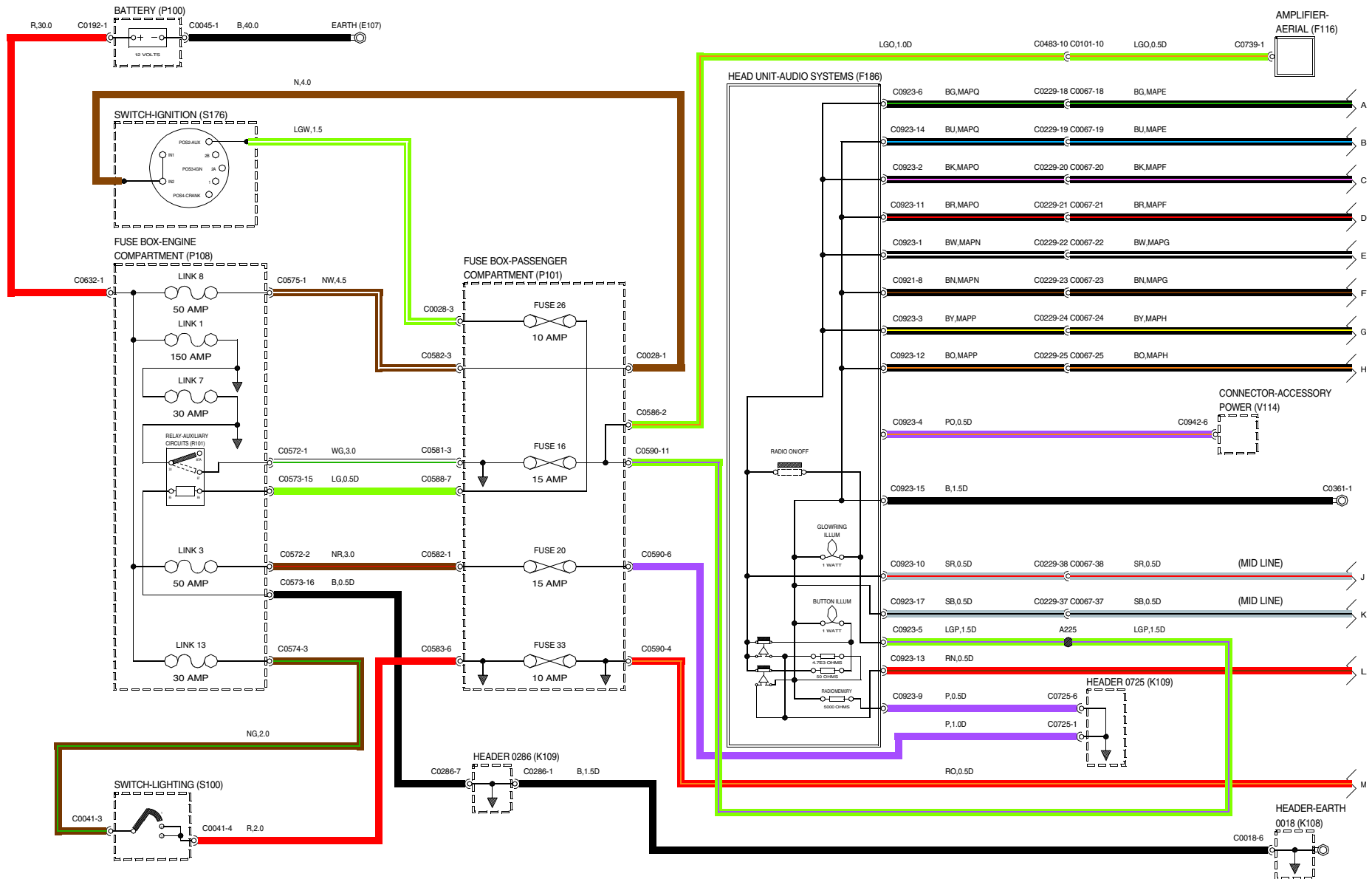
49 ACCESSORY SOCKET



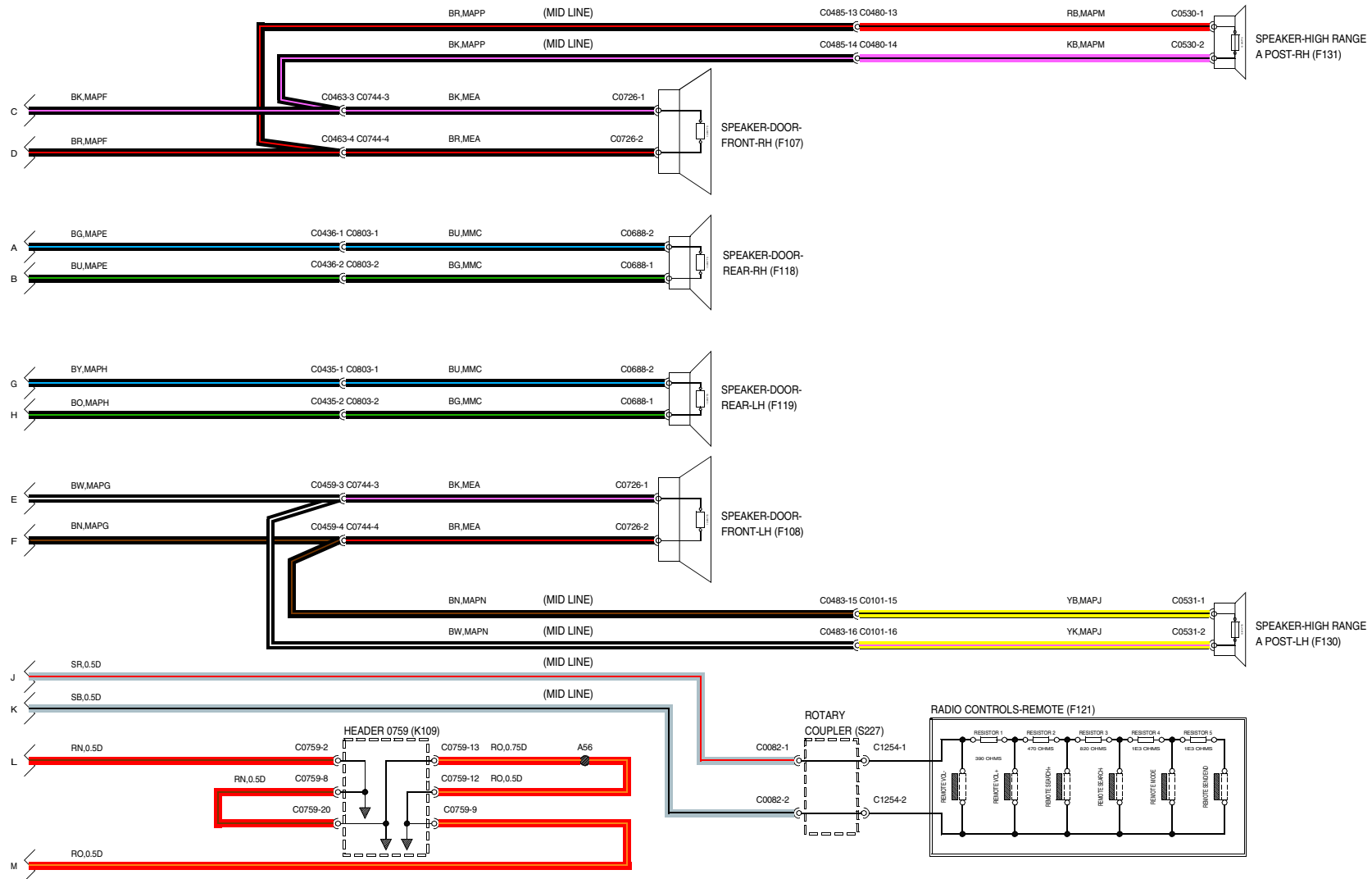
WR102210-4-01

49 CIGAR LIGHTER

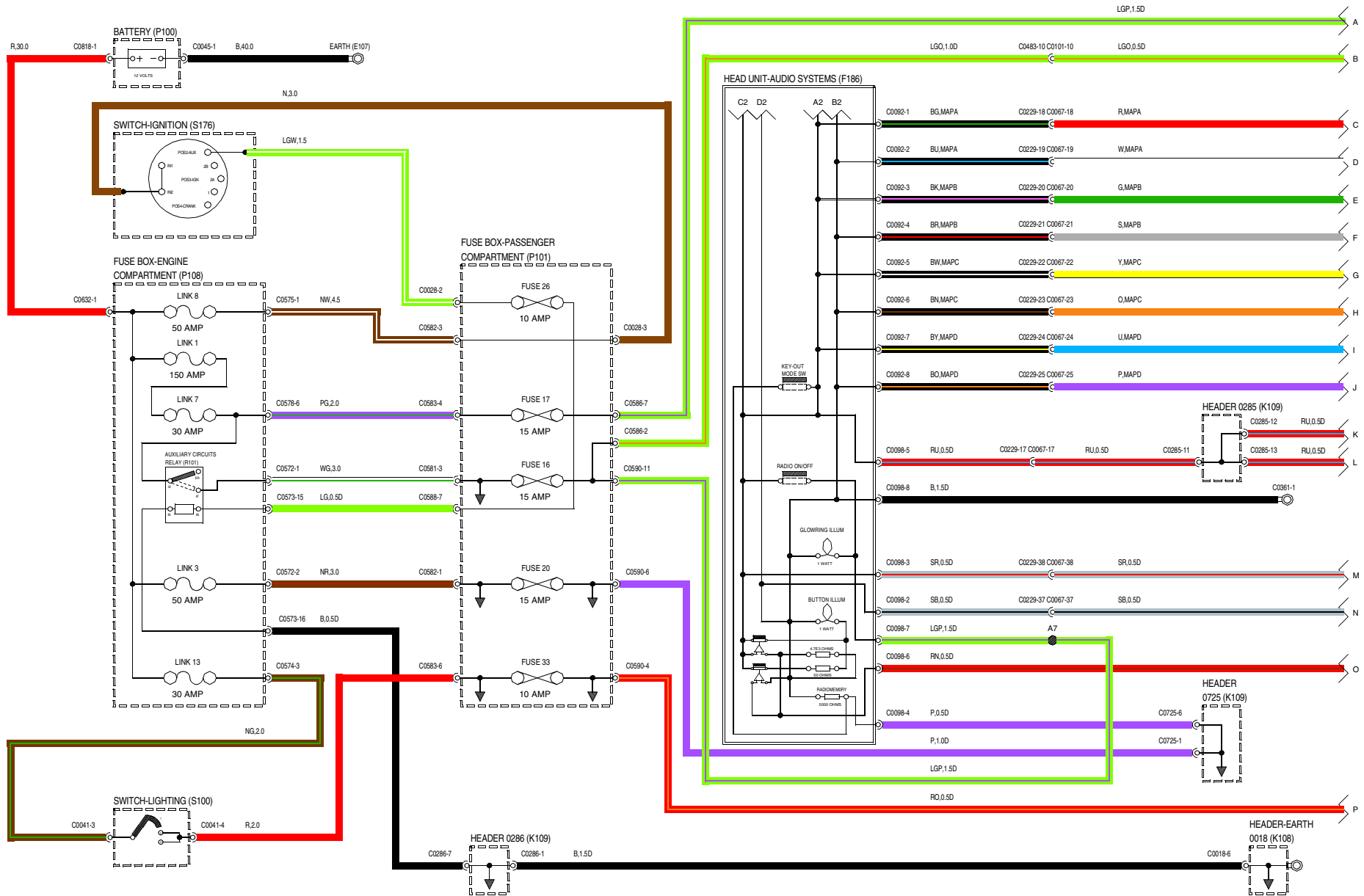




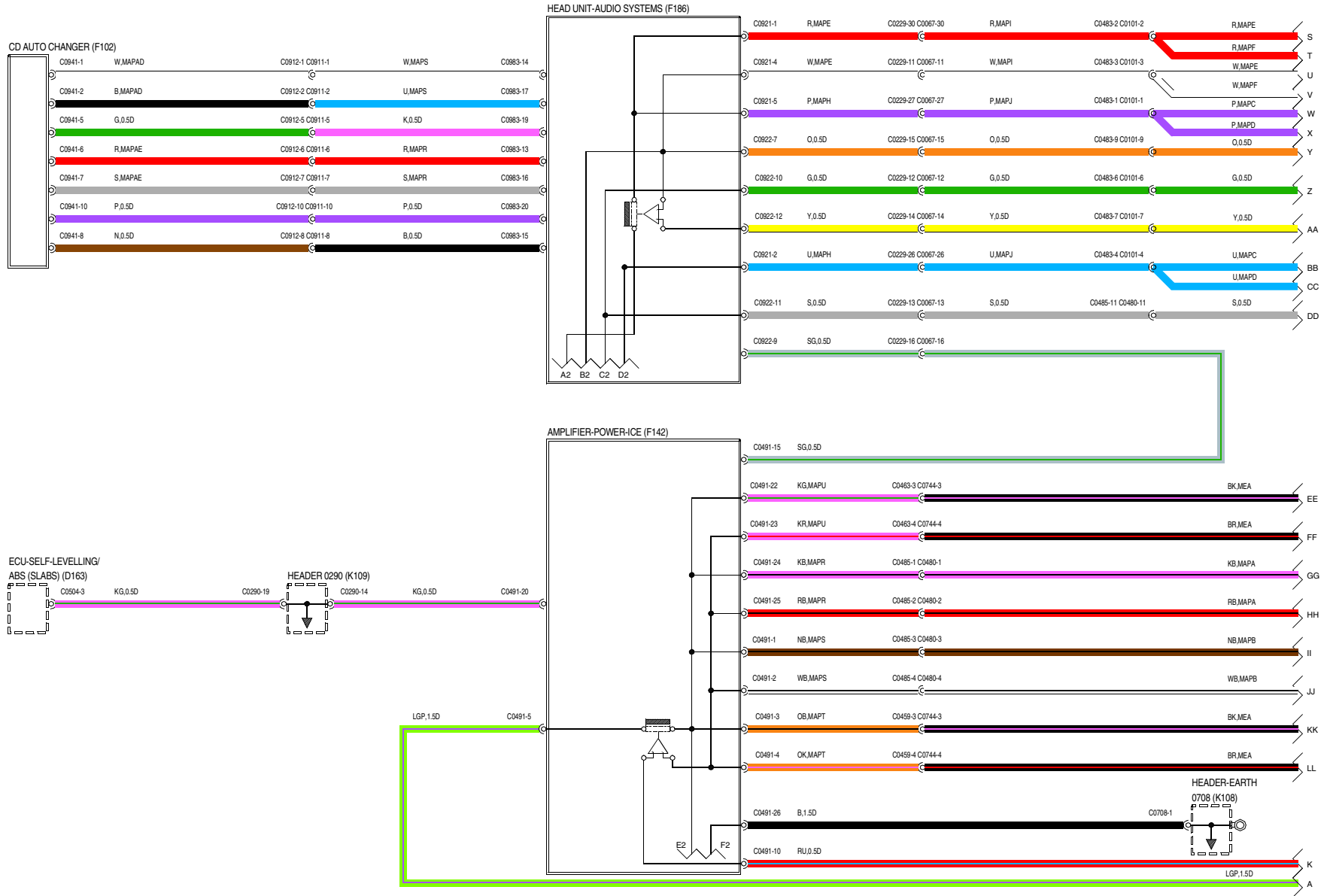
WVR102060-B-01



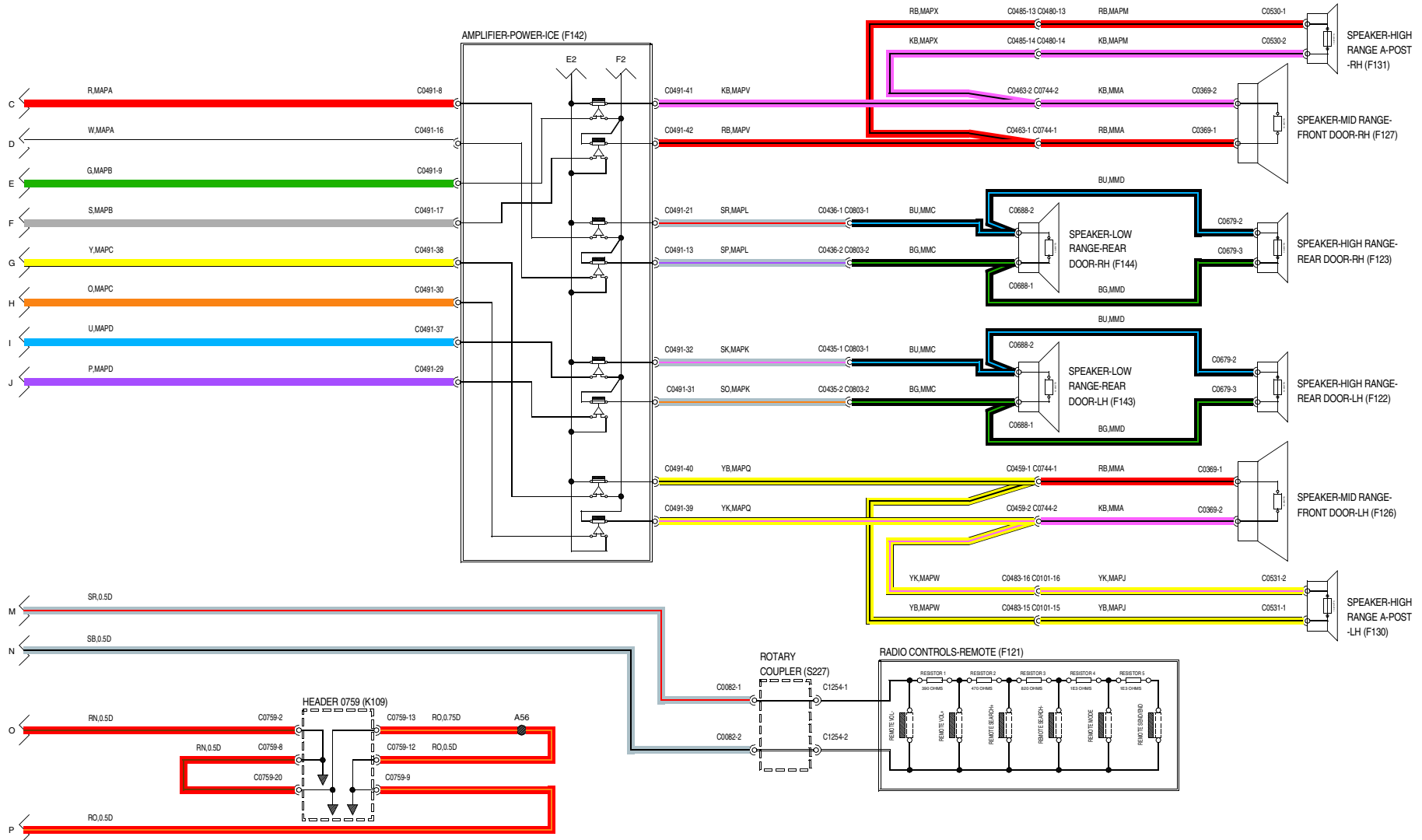
VWR102060-B-02



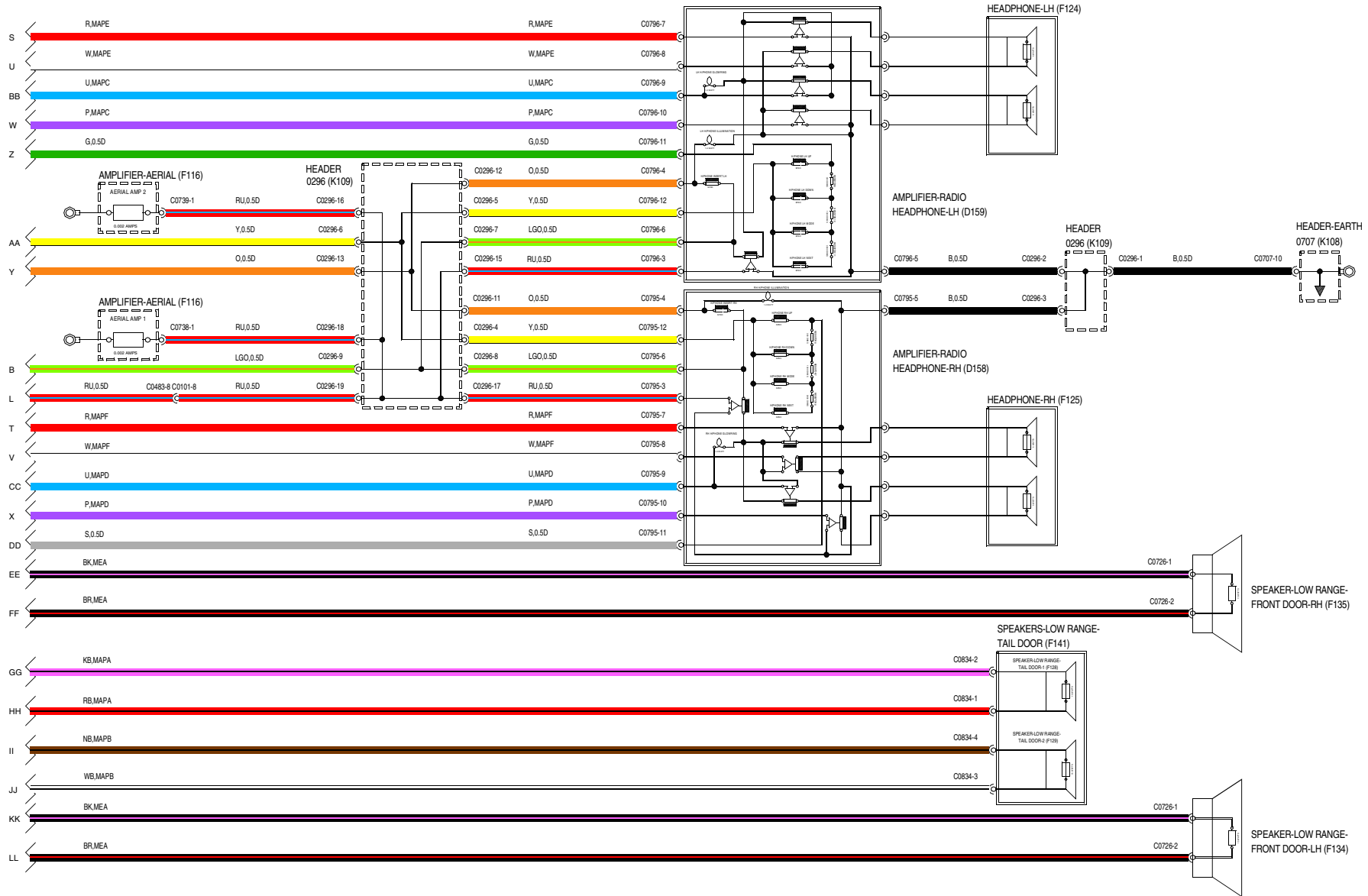
WRI08430-A-01



WVR108430-A-02

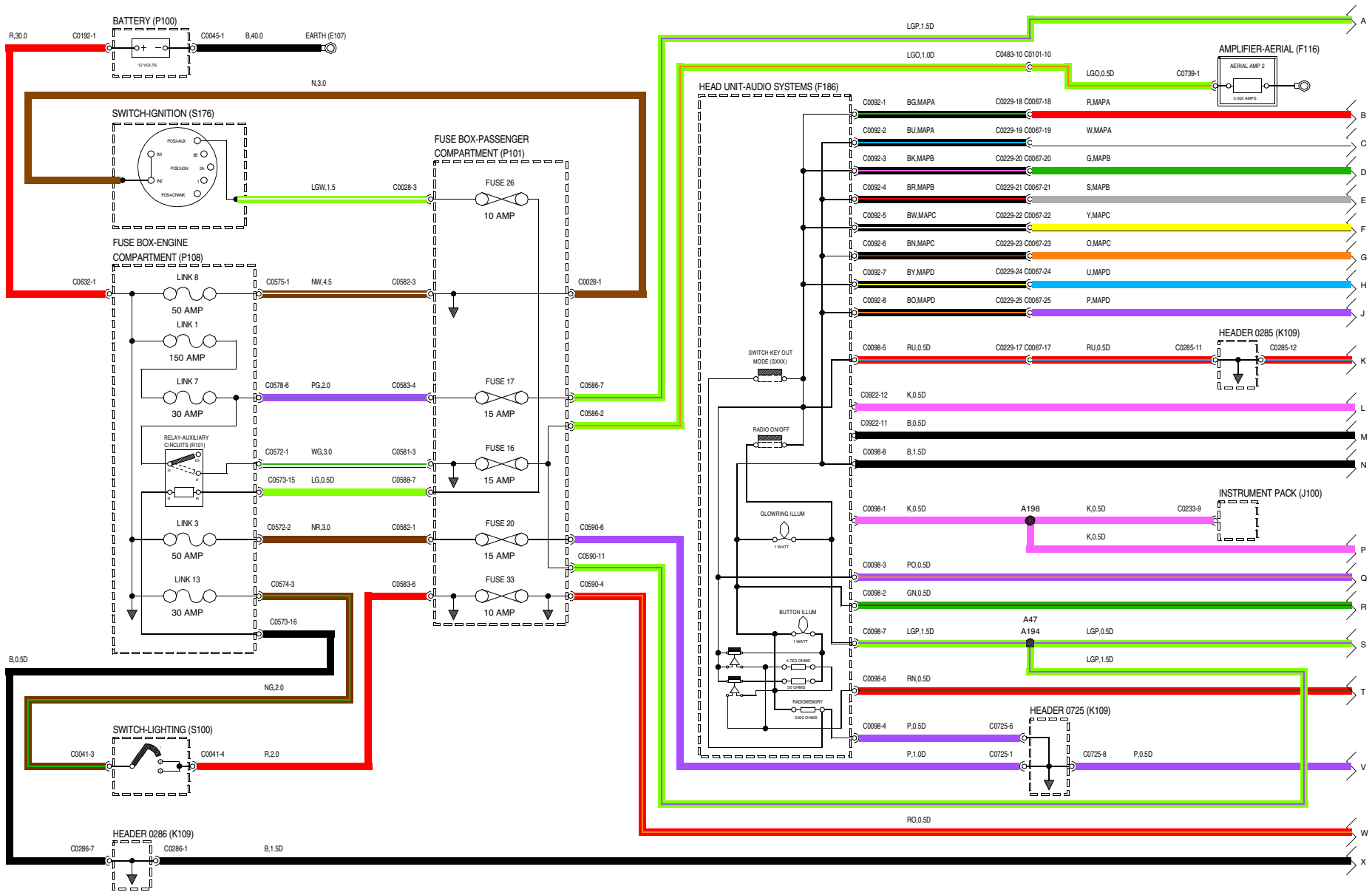


WVR108430-A-03

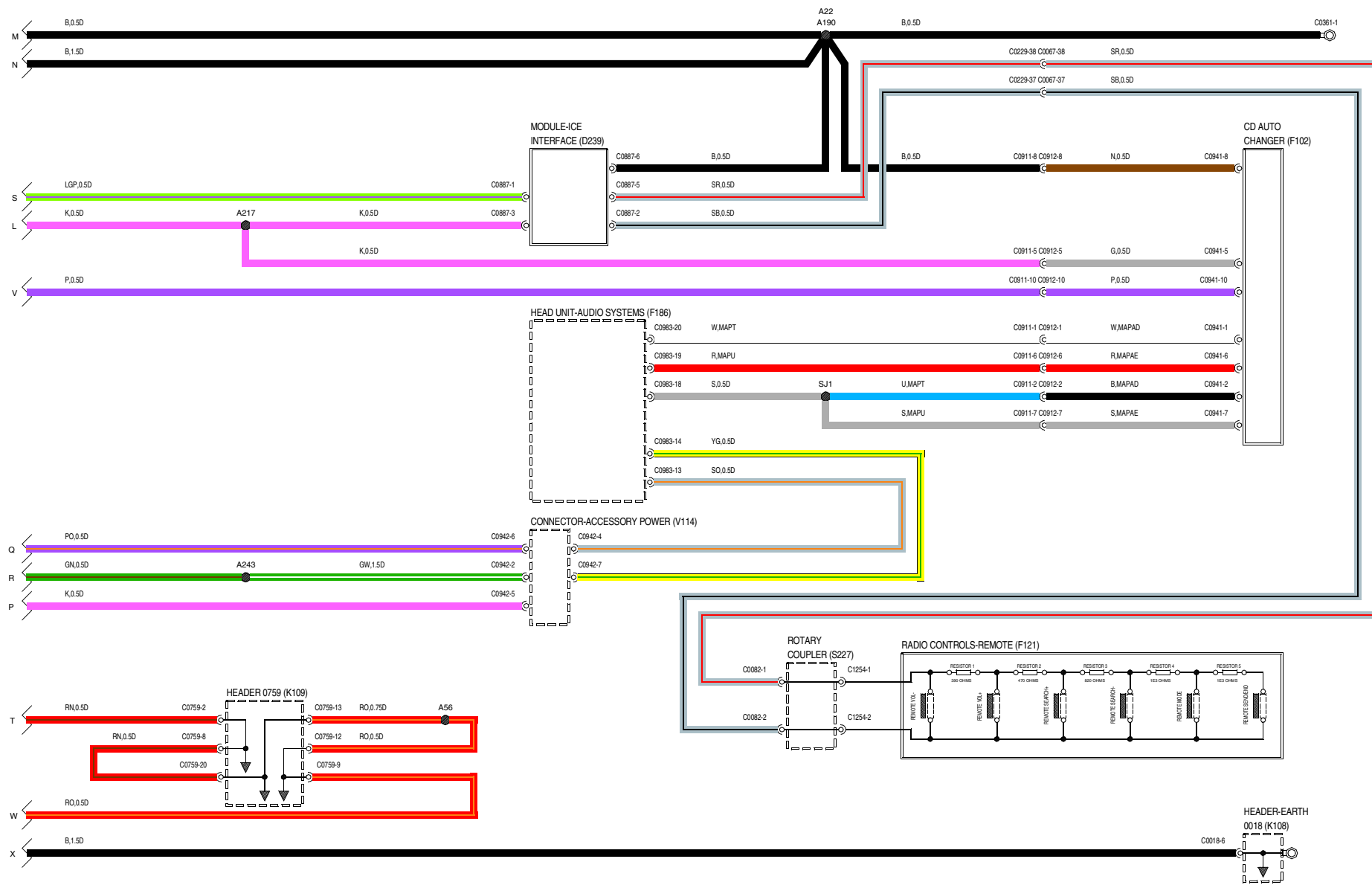


WWR108430-A-04

55 NAVIGATION SYSTEMS

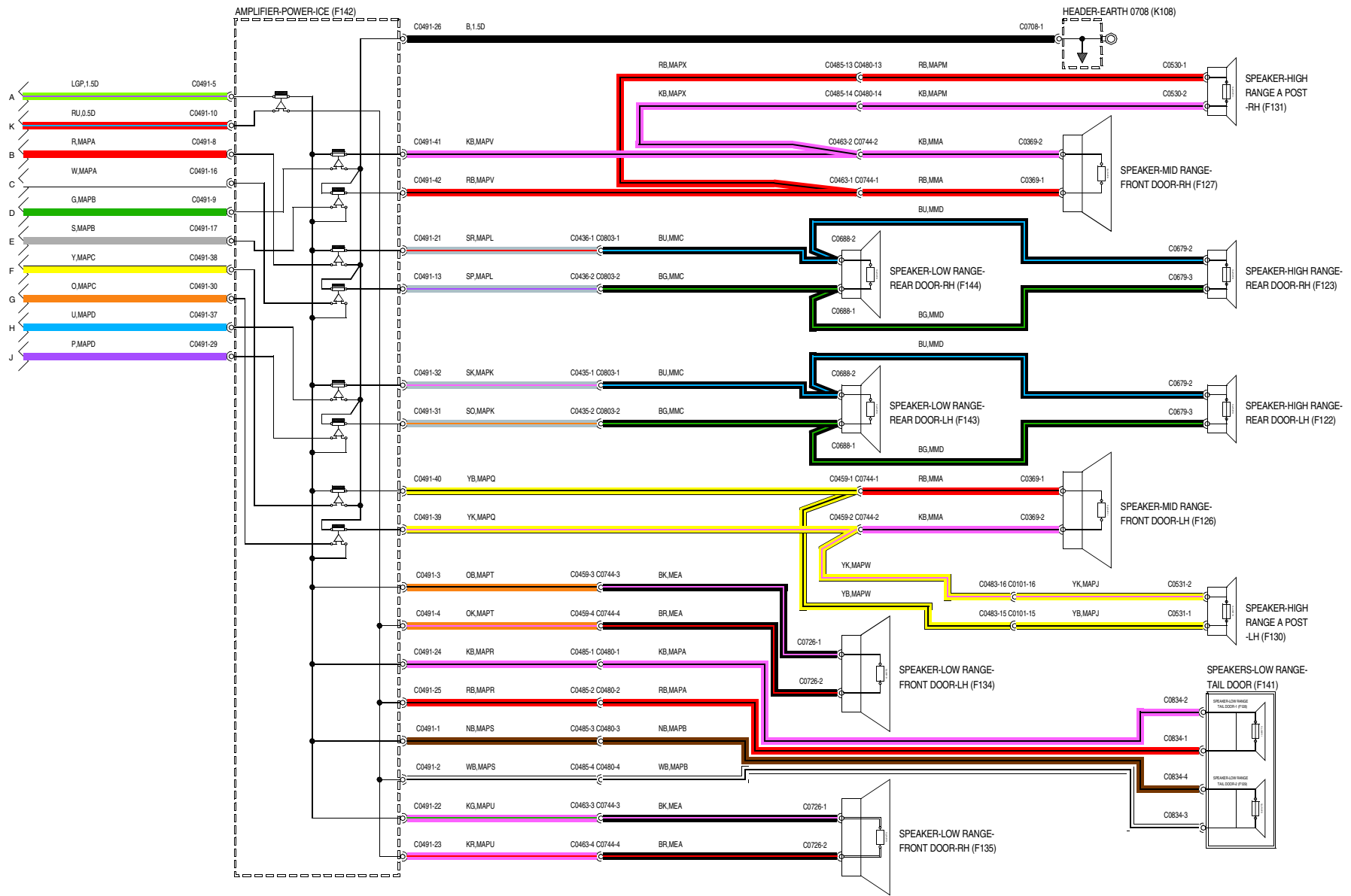


WWR007330-4-01



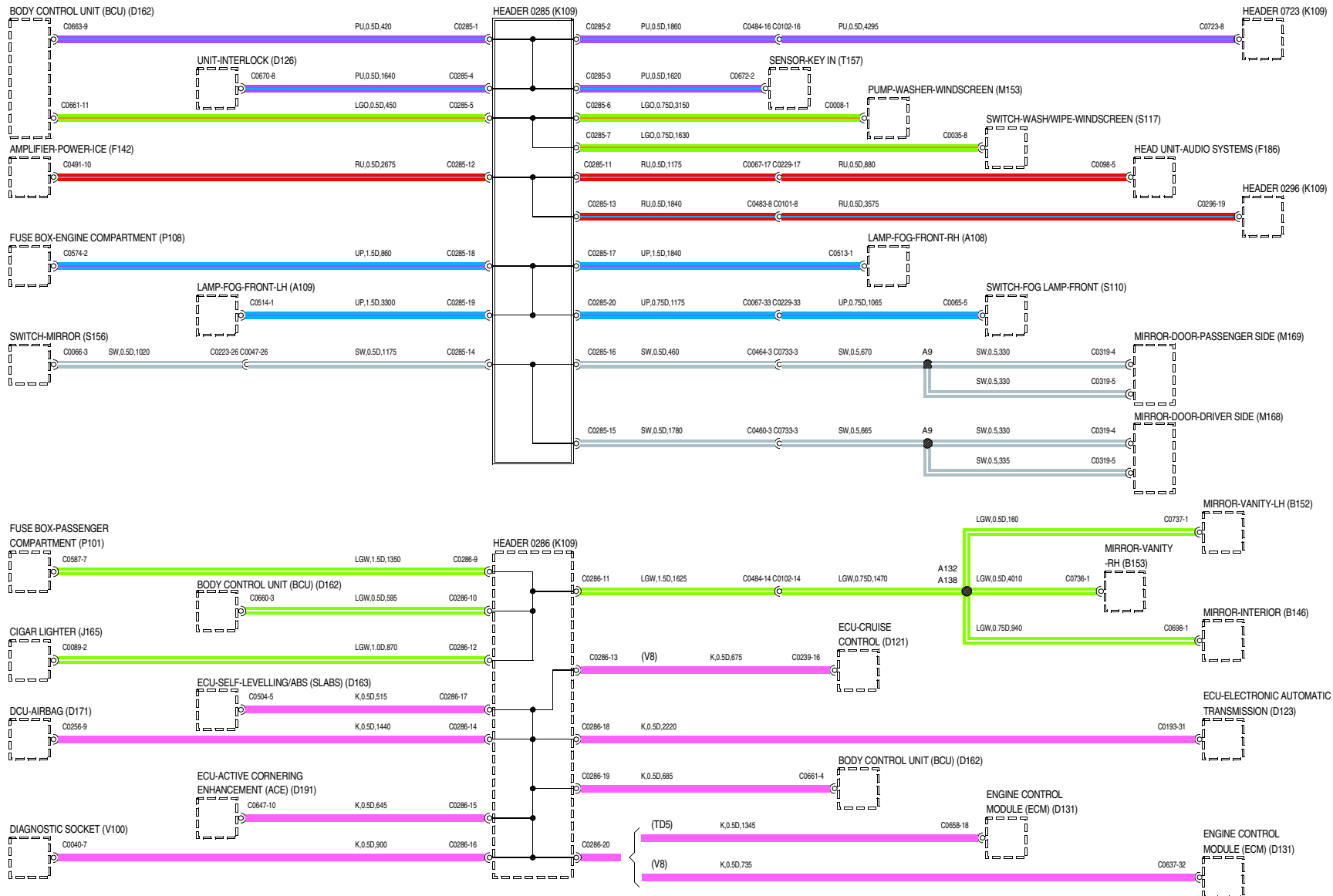
WWR007330-A-02

55 NAVIGATION SYSTEMS



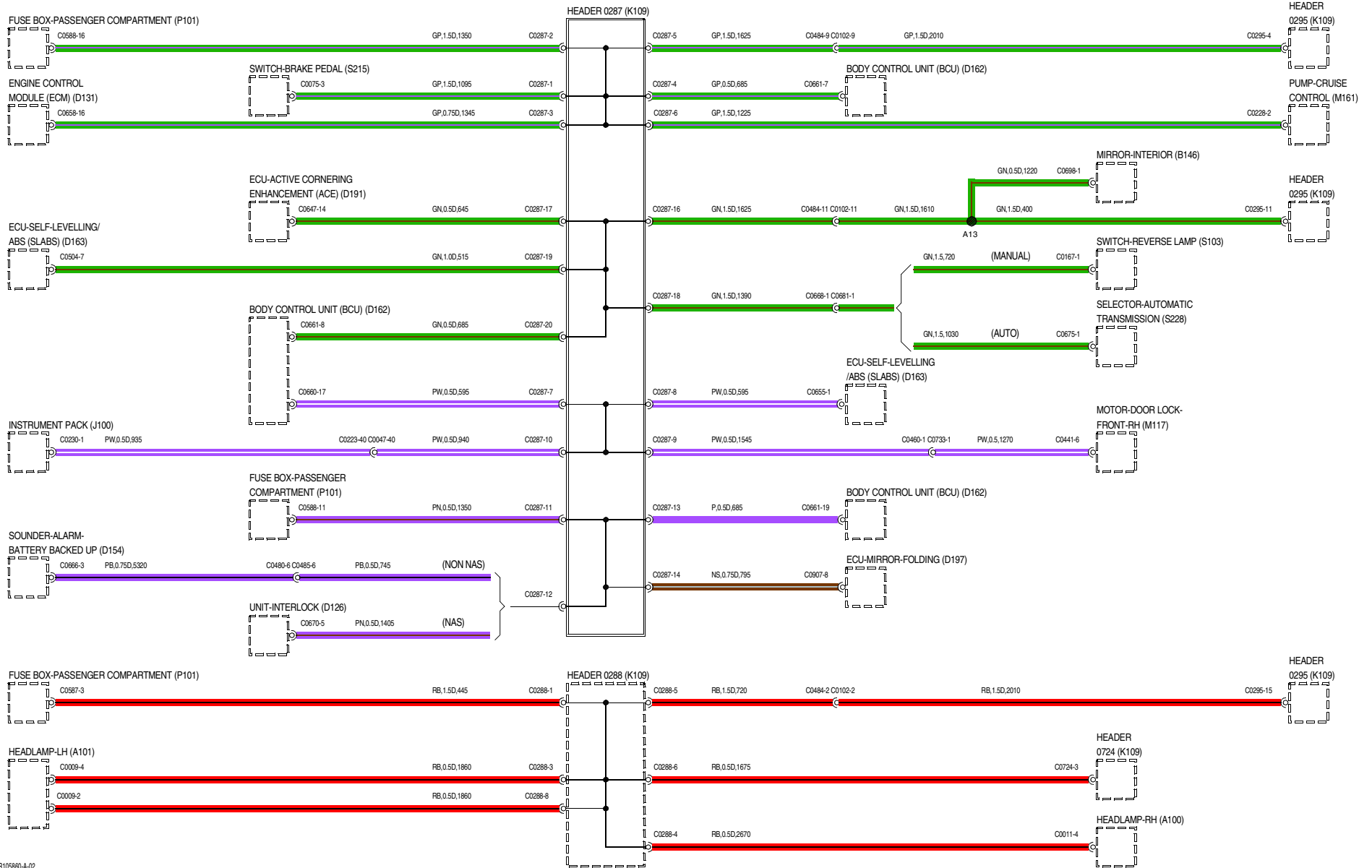
WVR007330-A-03

60 HEADER JOINTS



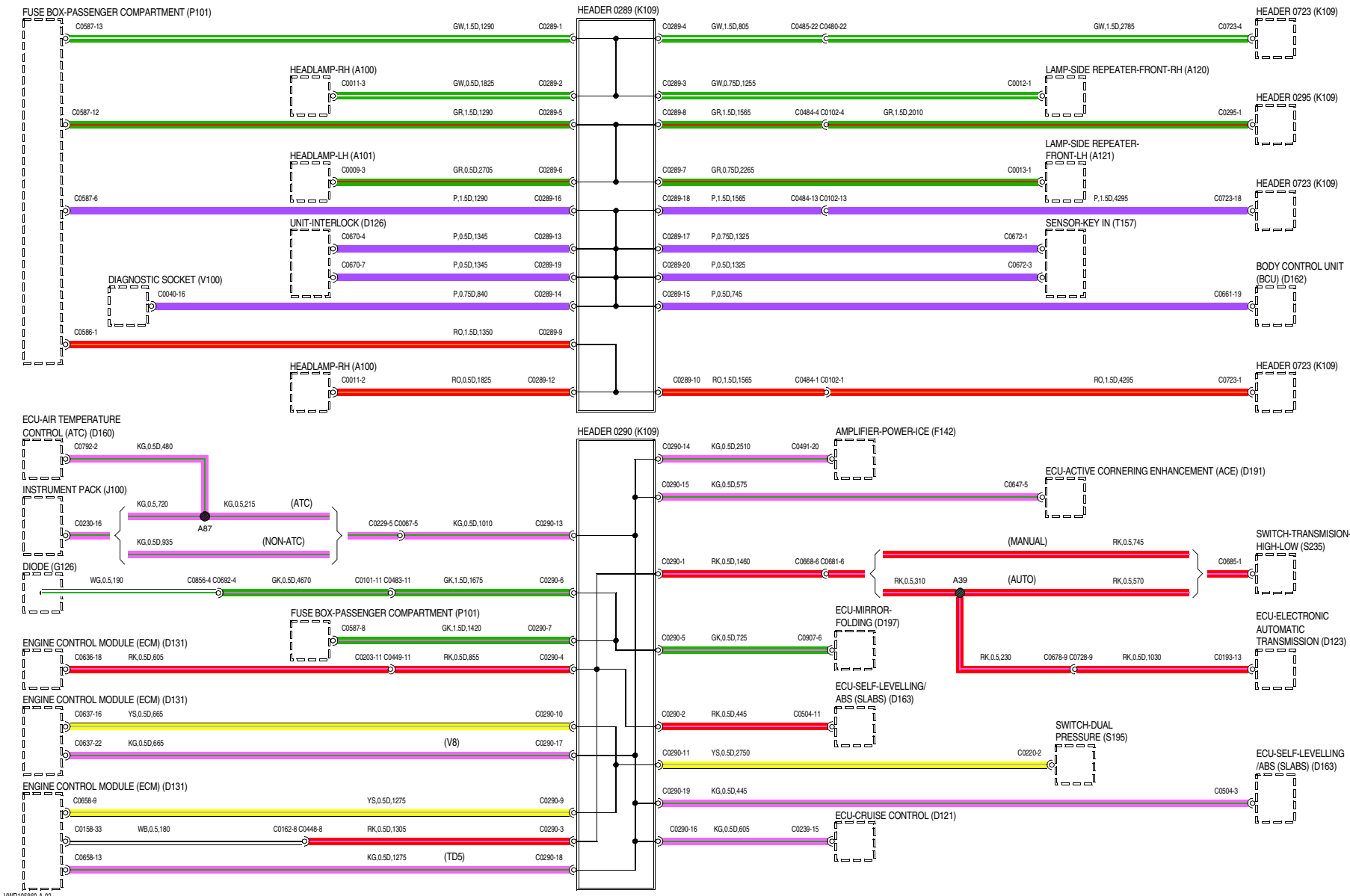
WVR105860-4-01

60 HEADER JOINTS



WR105860-A-02

60 HEADER JOINTS

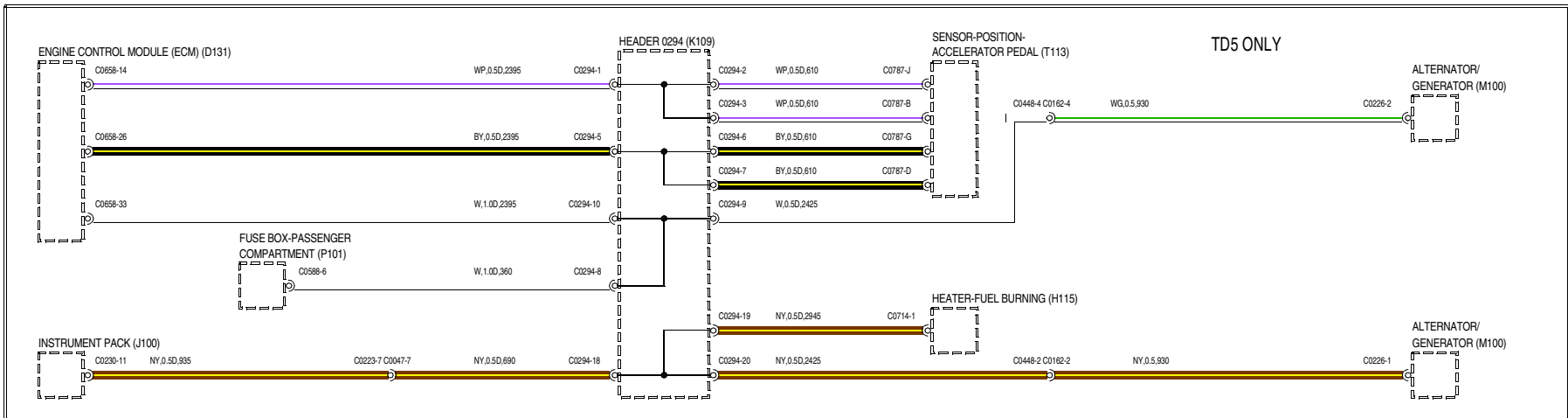
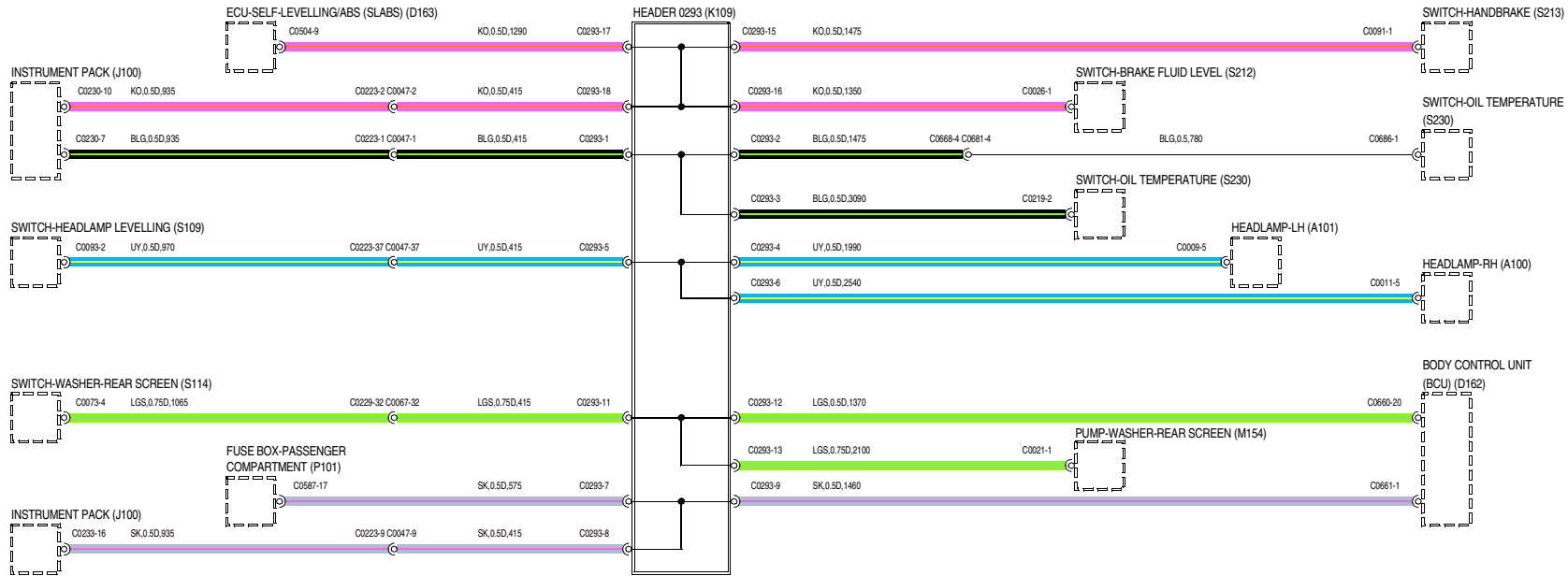


WVR105860-A-03

60 HEADER JOINTS



60 HEADER JOINTS

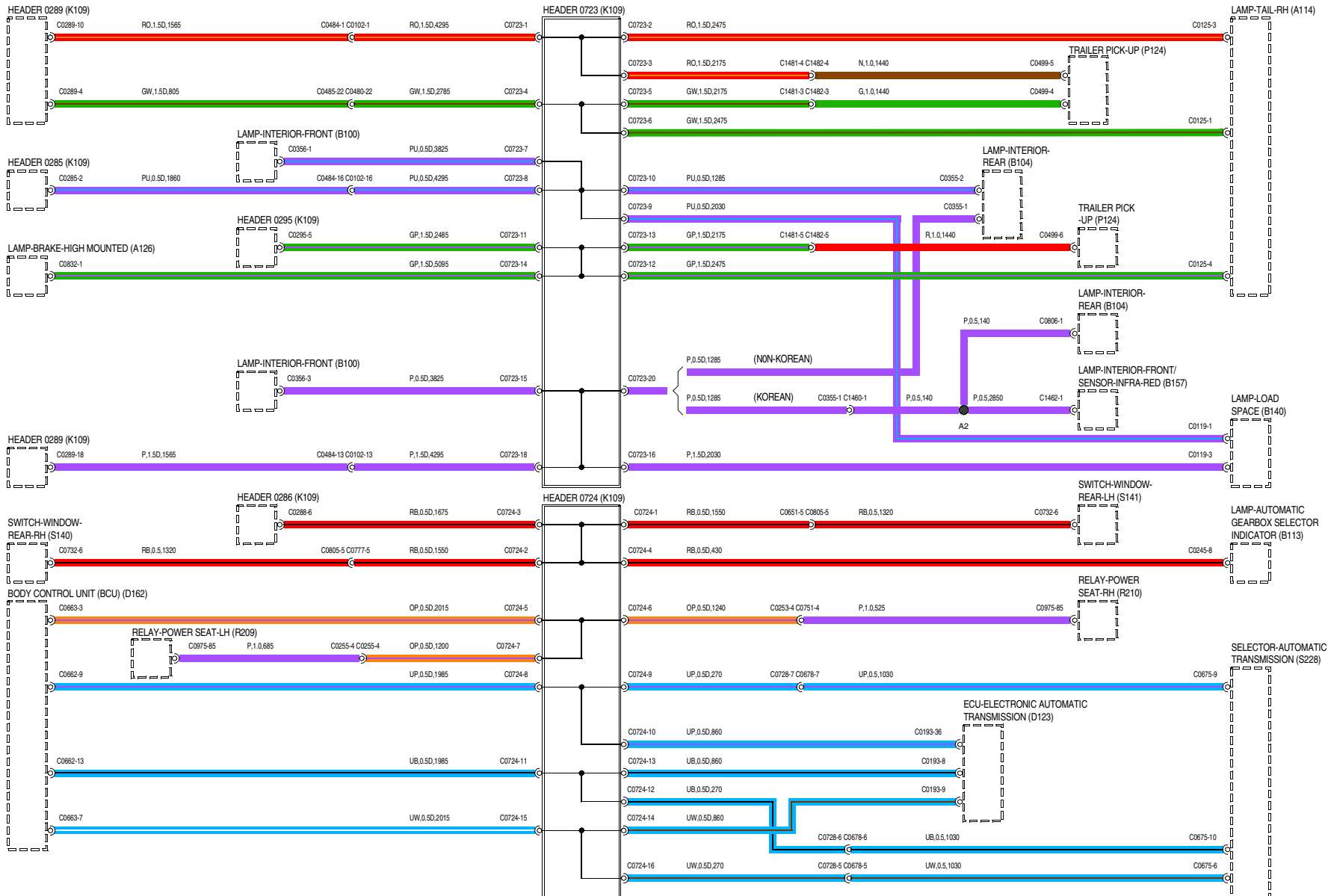


VWR105860-A-05

60 HEADER JOINTS

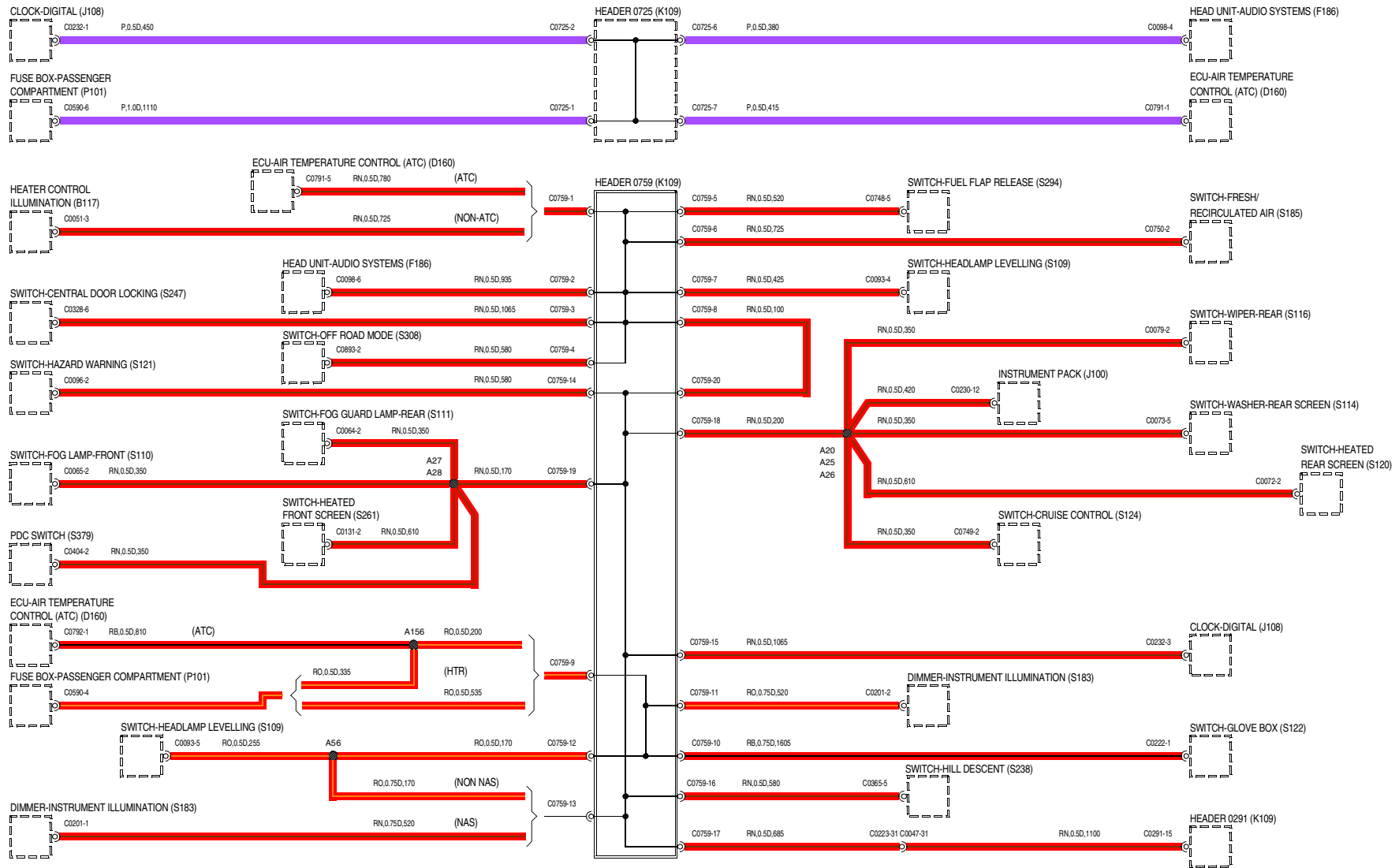


60 HEADER JOINTS



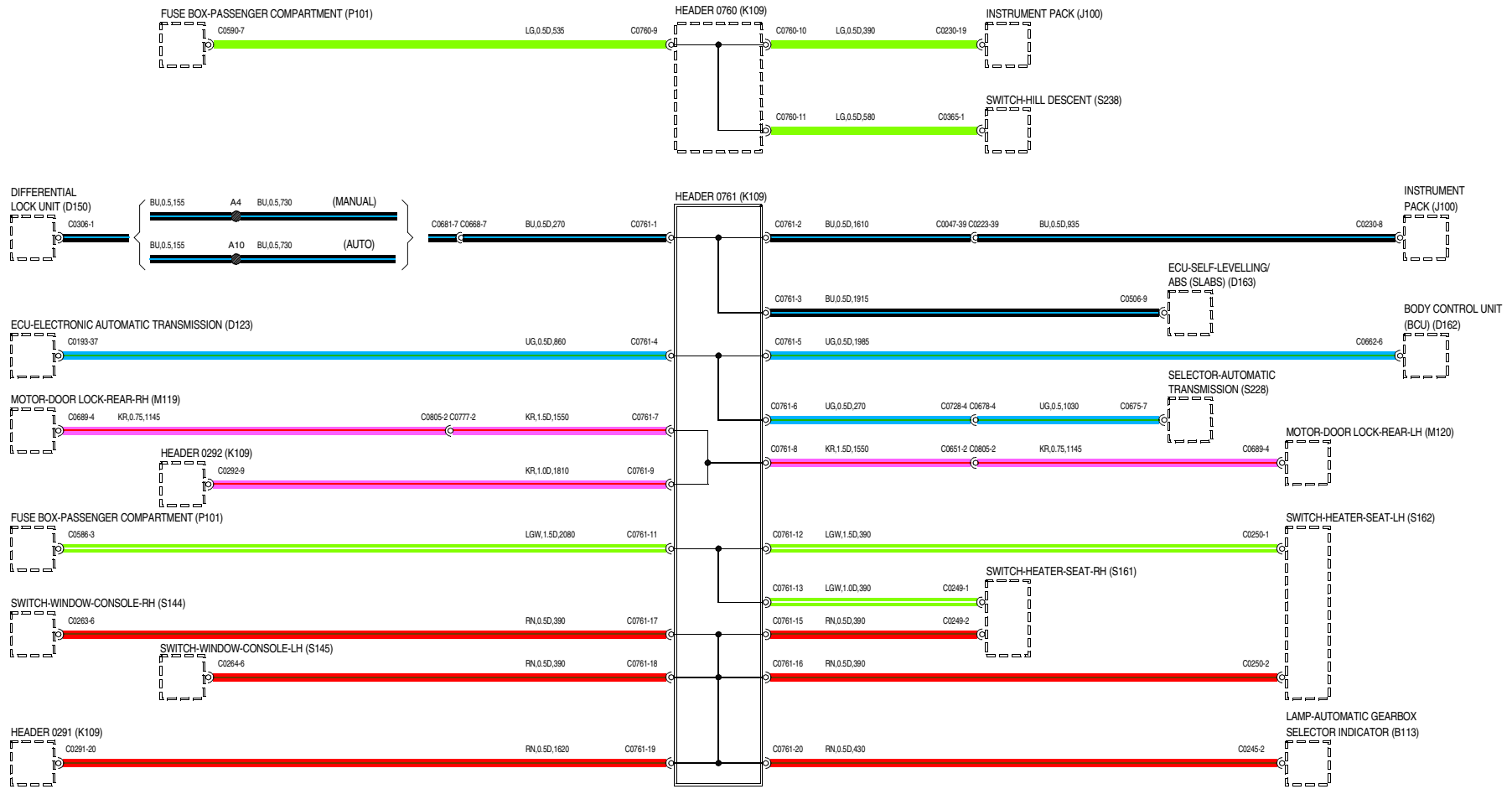
WVR105860-A-07

60 HEADER JOINTS



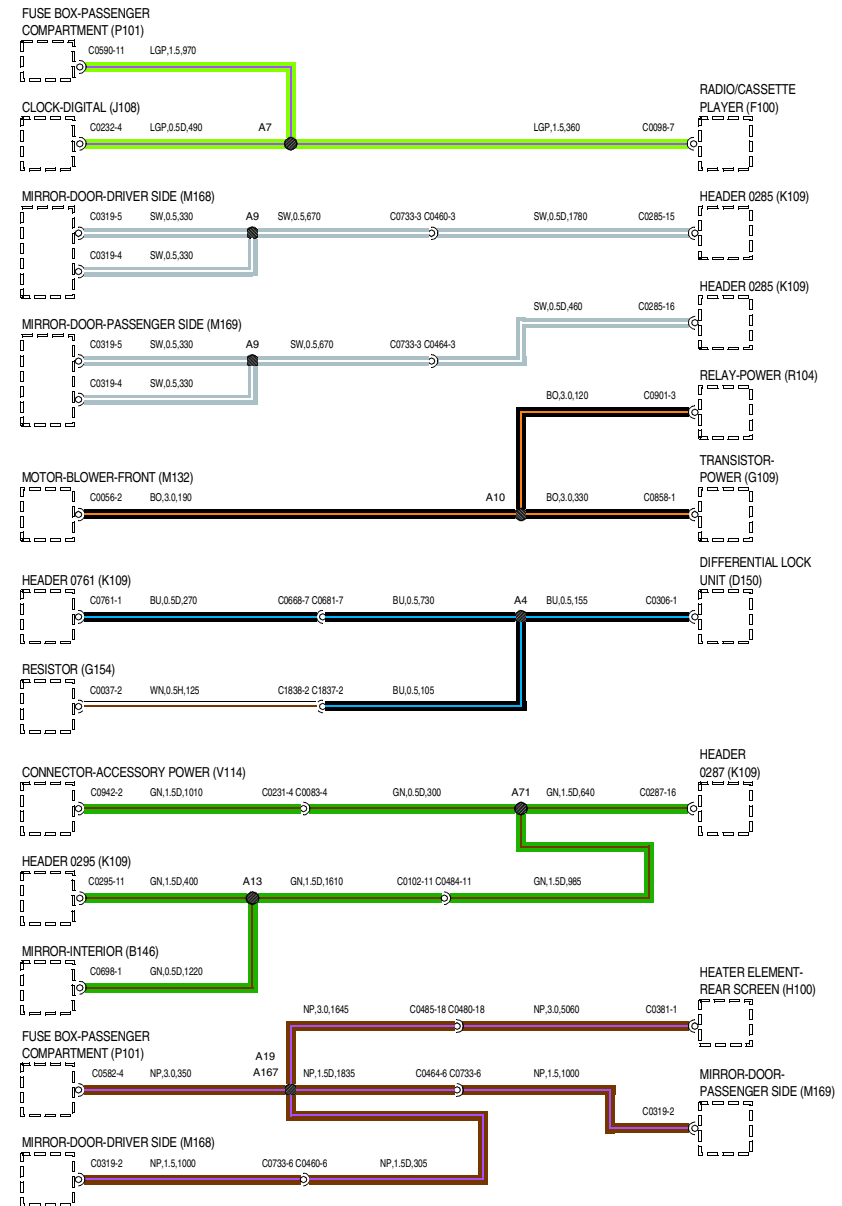
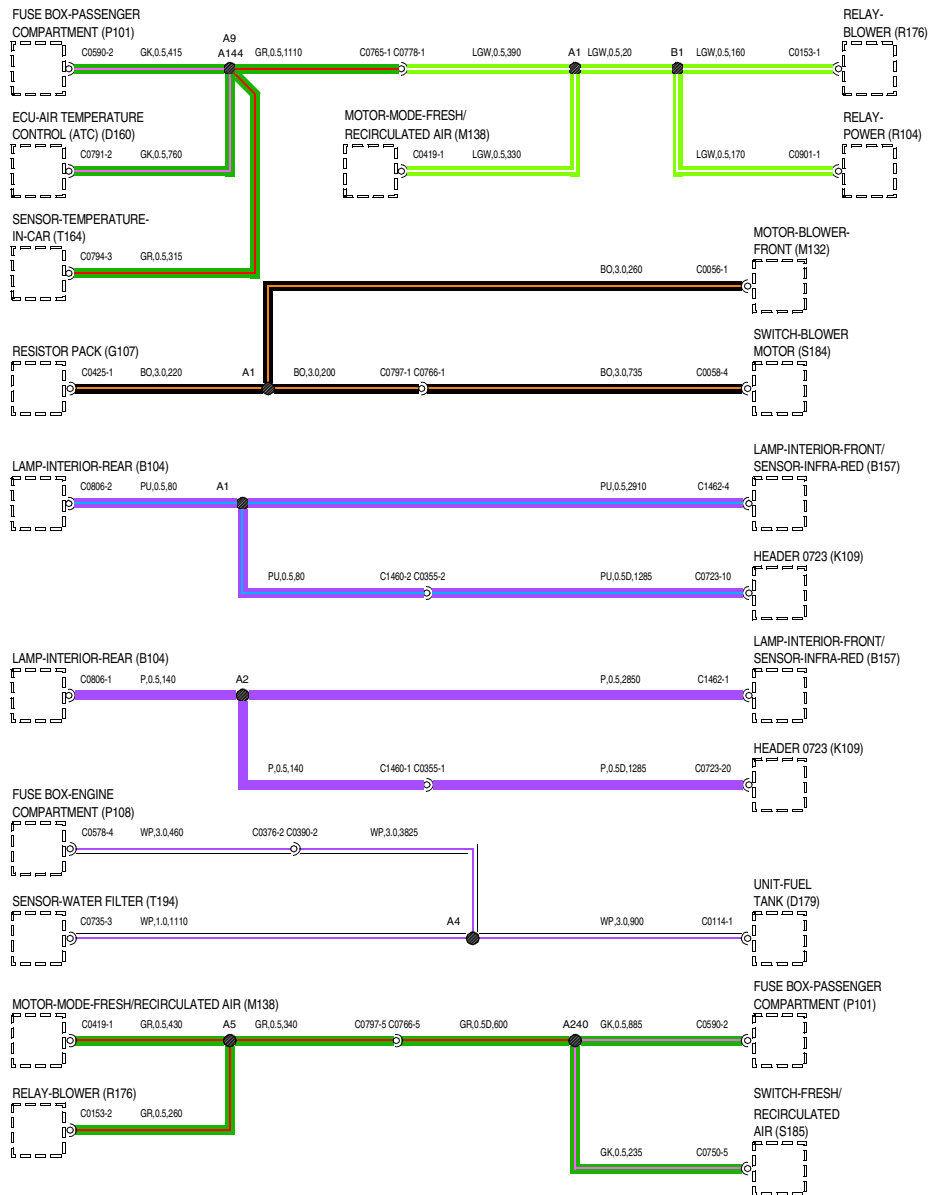
WWR105860-A-08

60 HEADER JOINTS



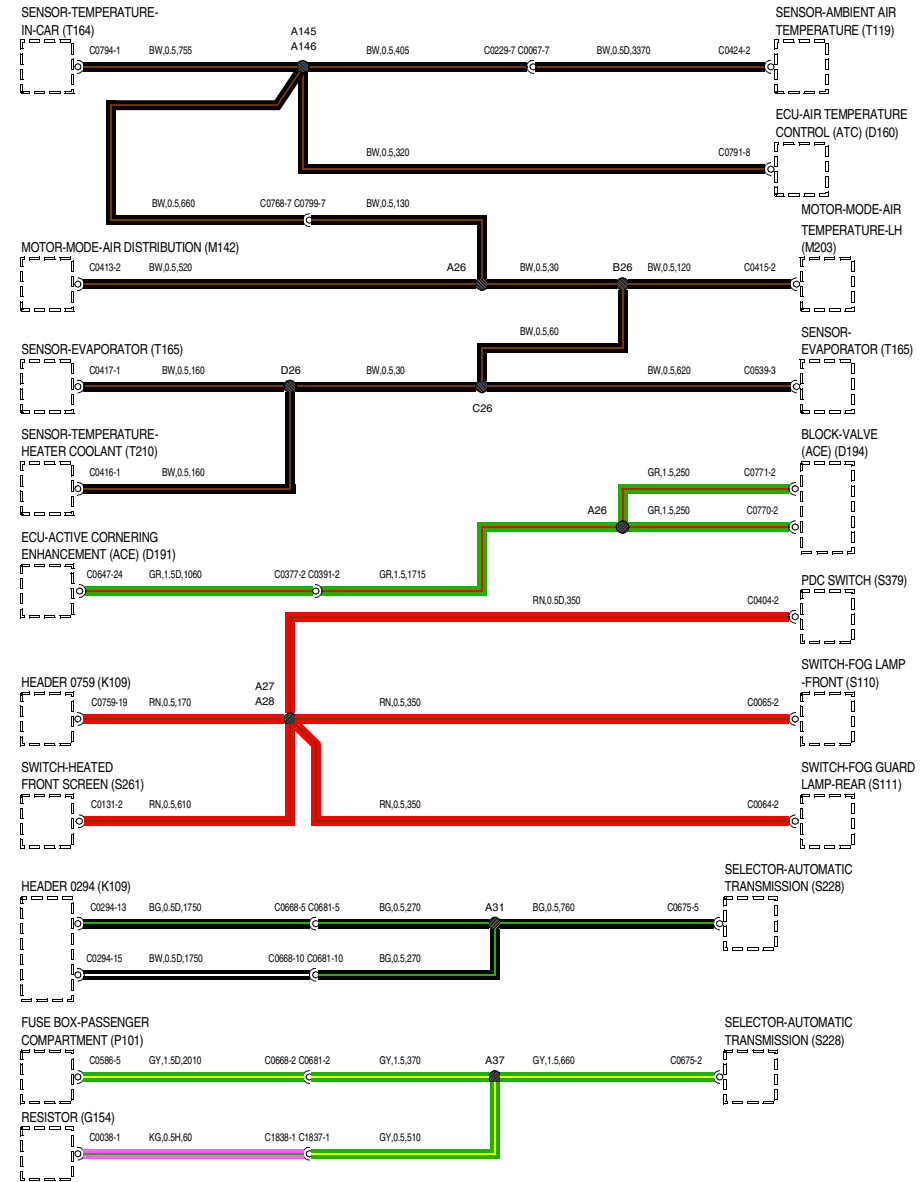
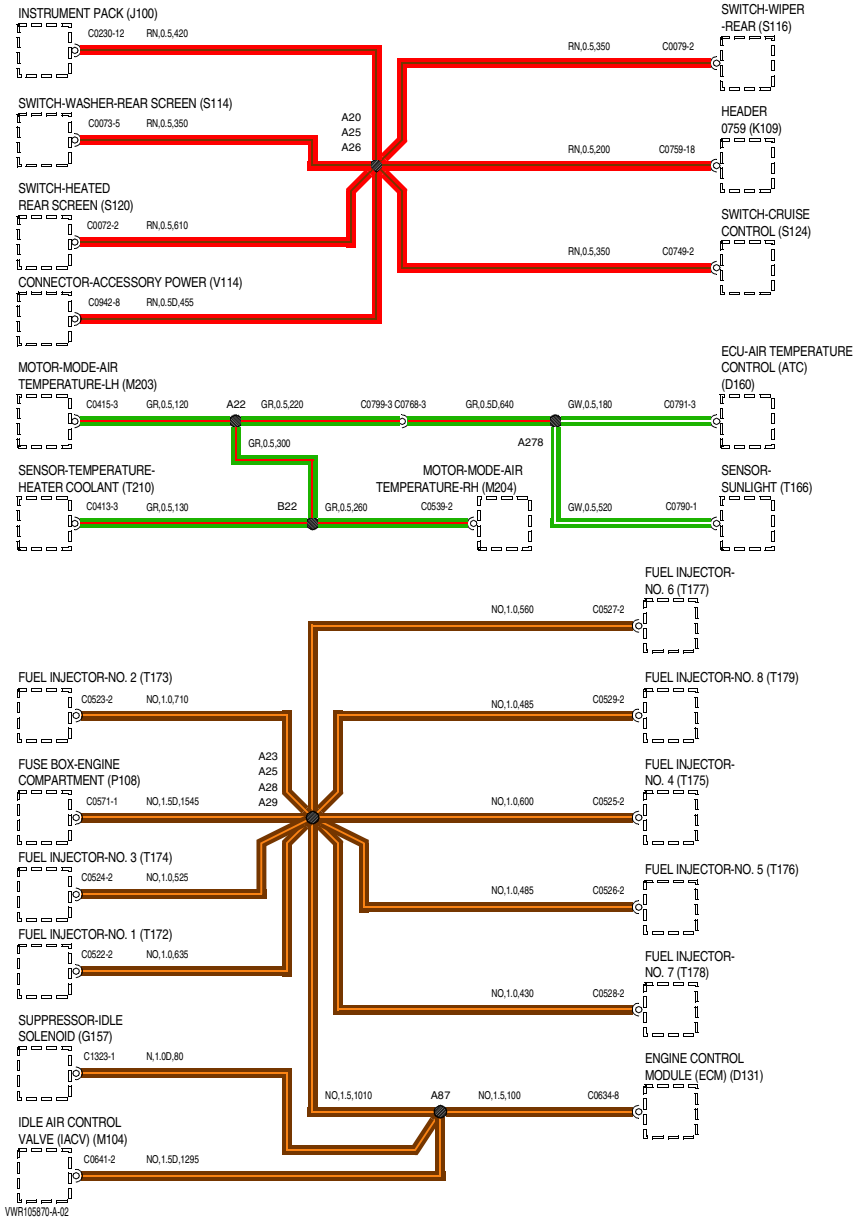
WVR105880-A-09

65 SPLICES AND CENTRE TAPS

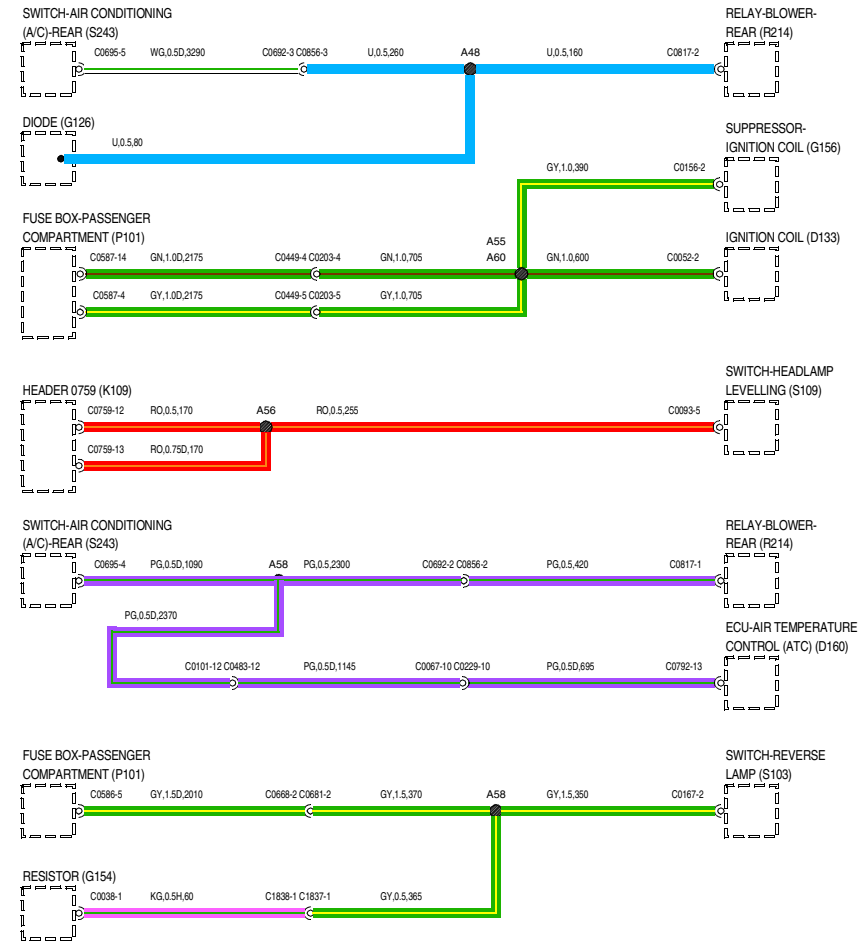
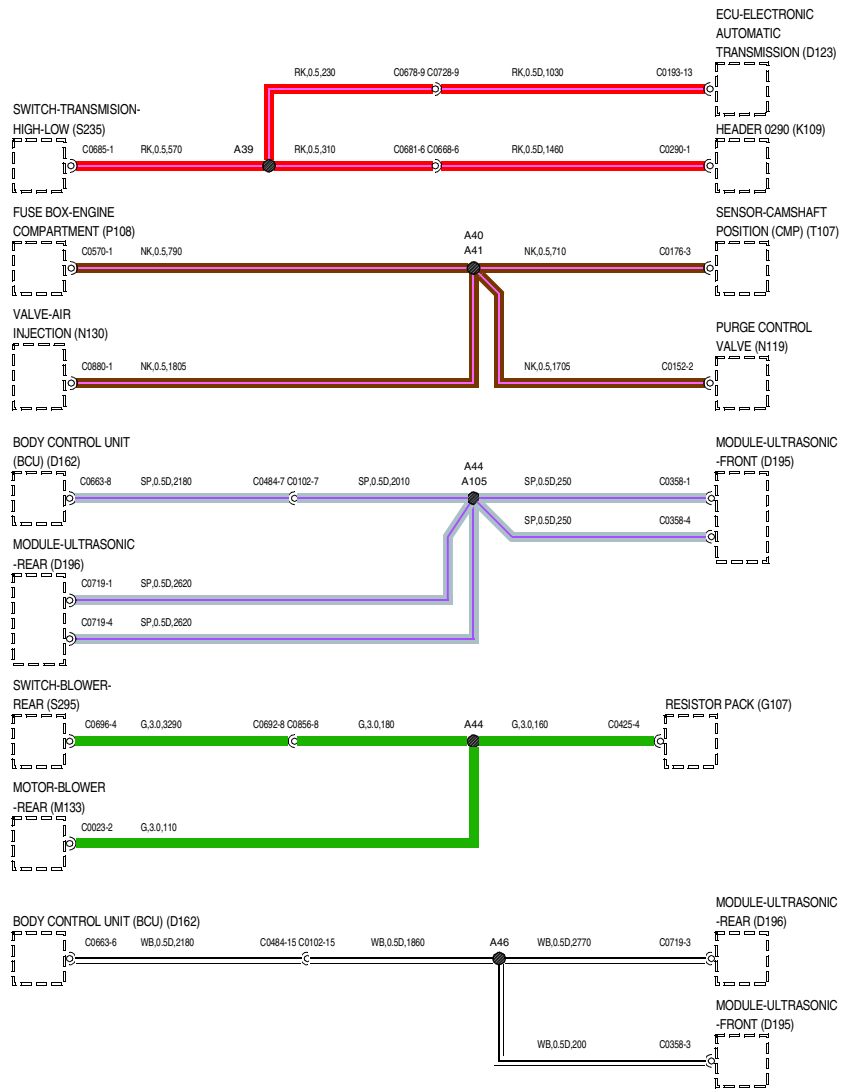


WVR105870-4-01

65 SPLICES AND CENTRE TAPS

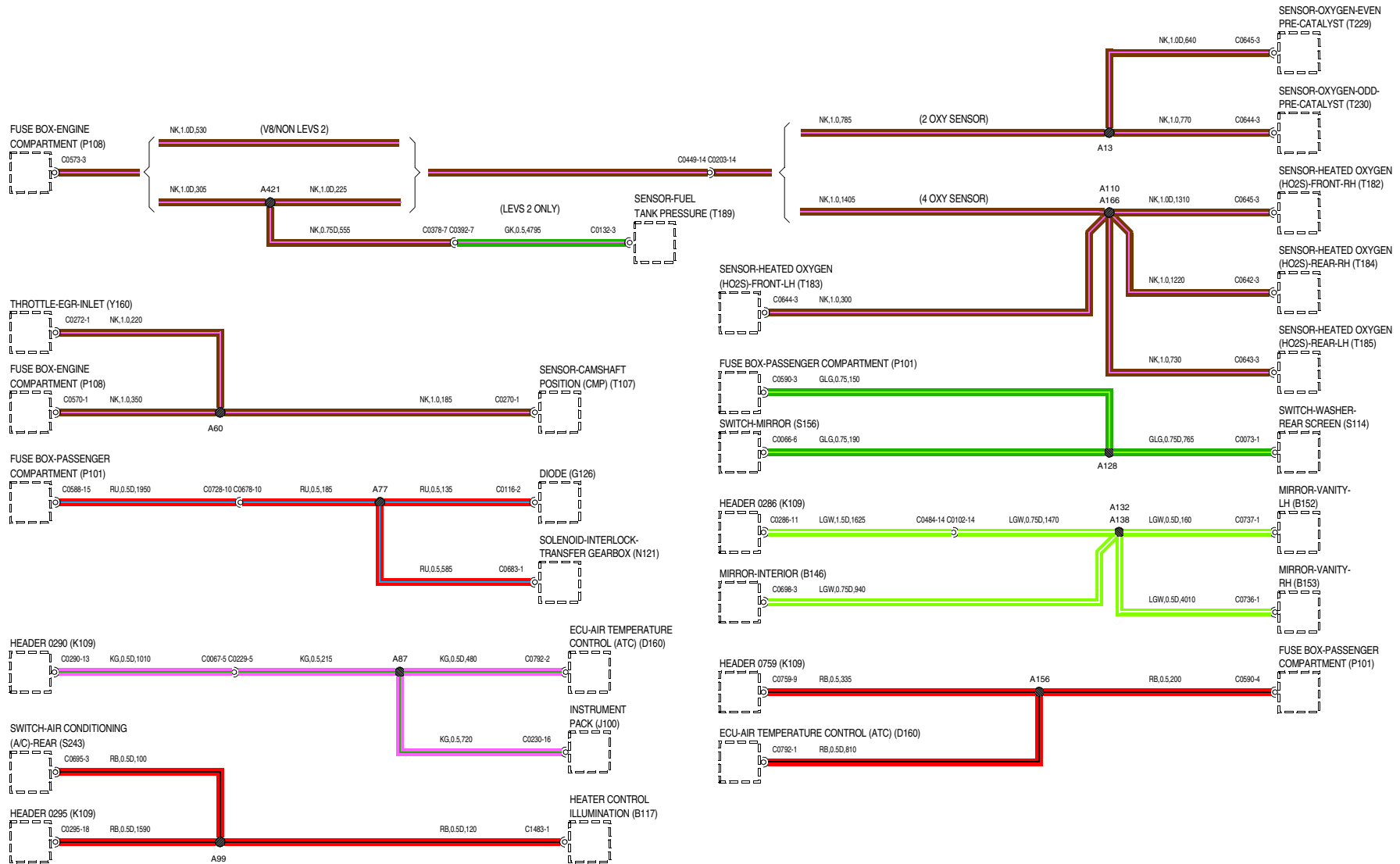


65 SPLICES AND CENTRE TAPS



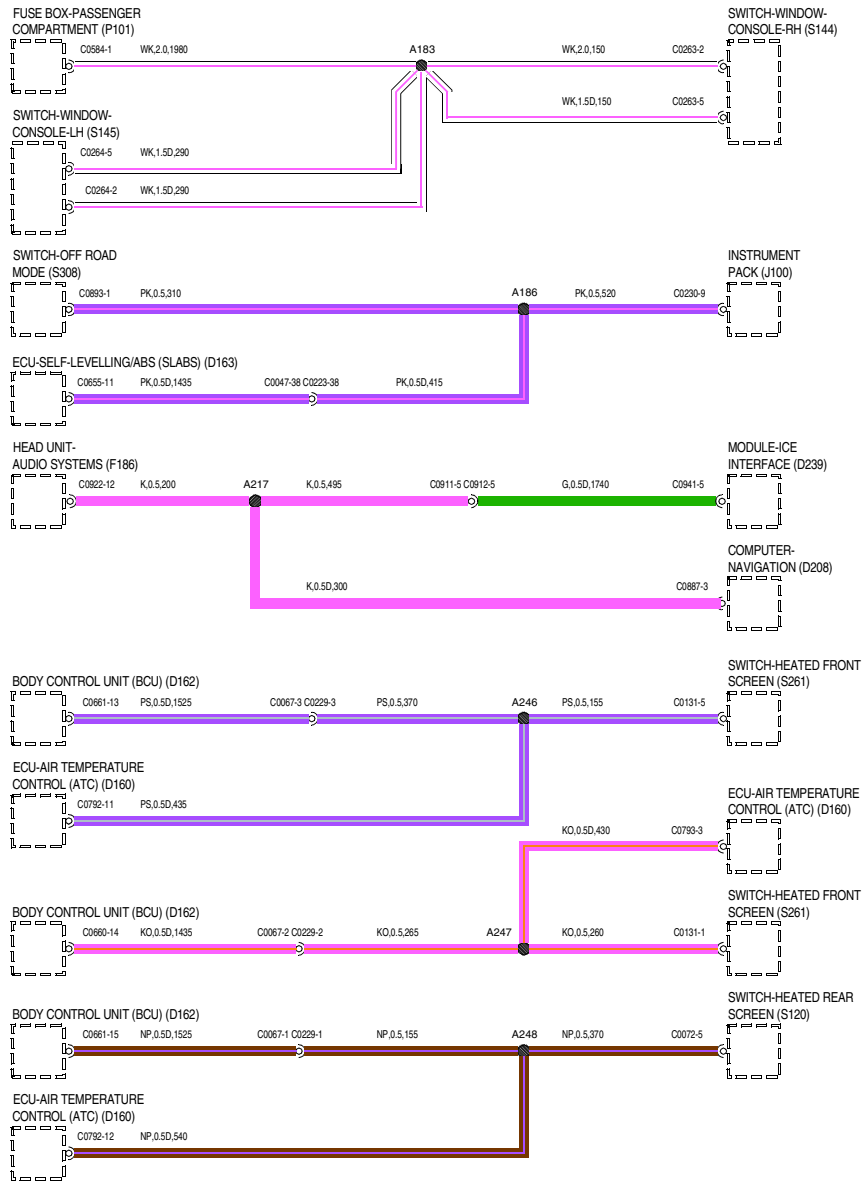
WVR105870-A-03

65 SPLICES AND CENTRE TAPS

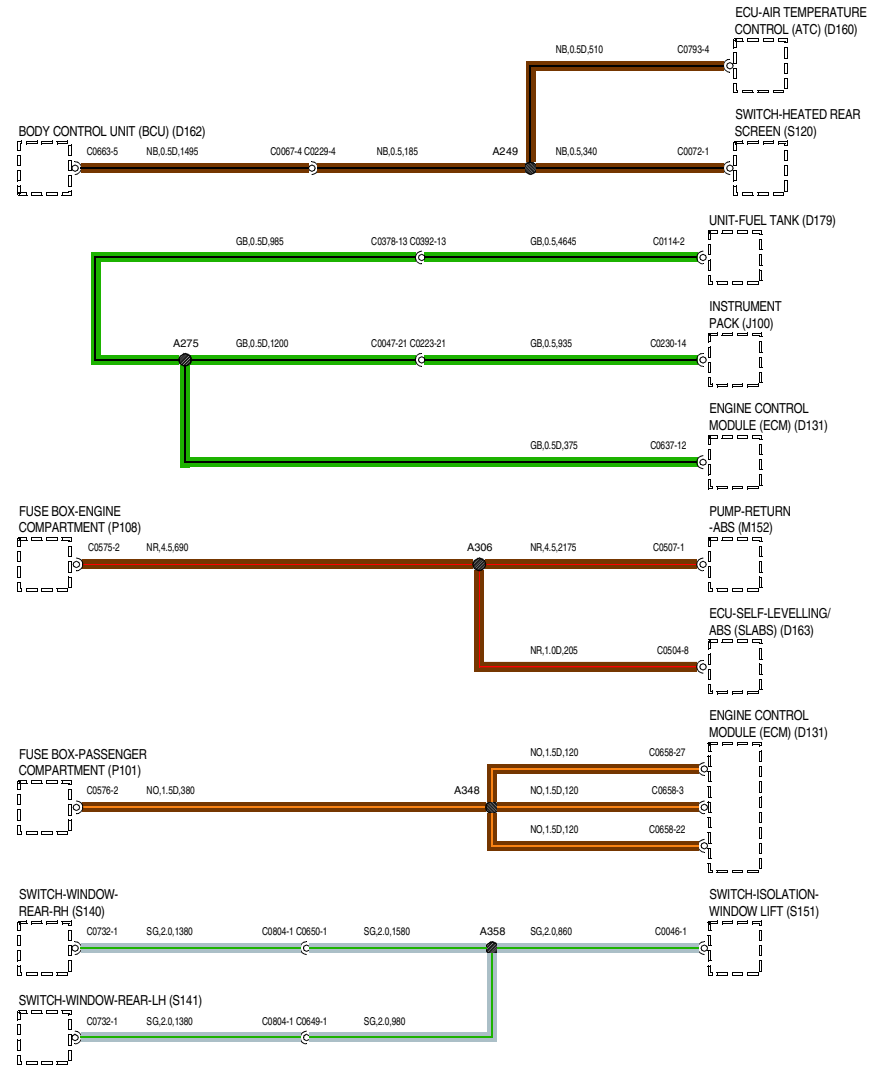


WVR105870-A-04

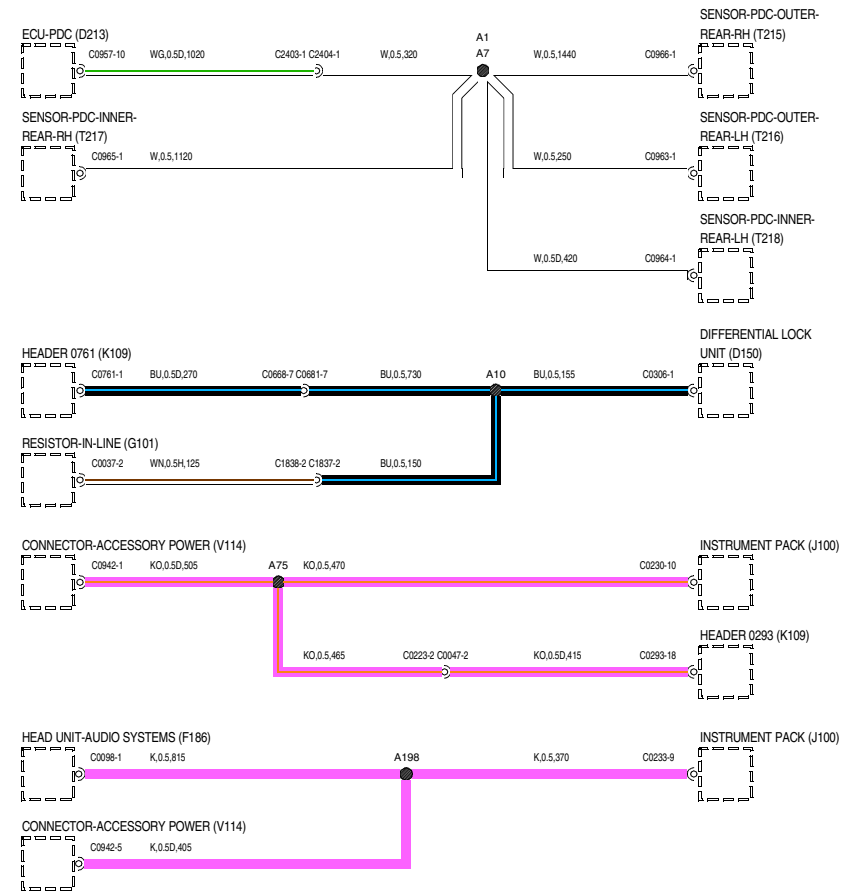
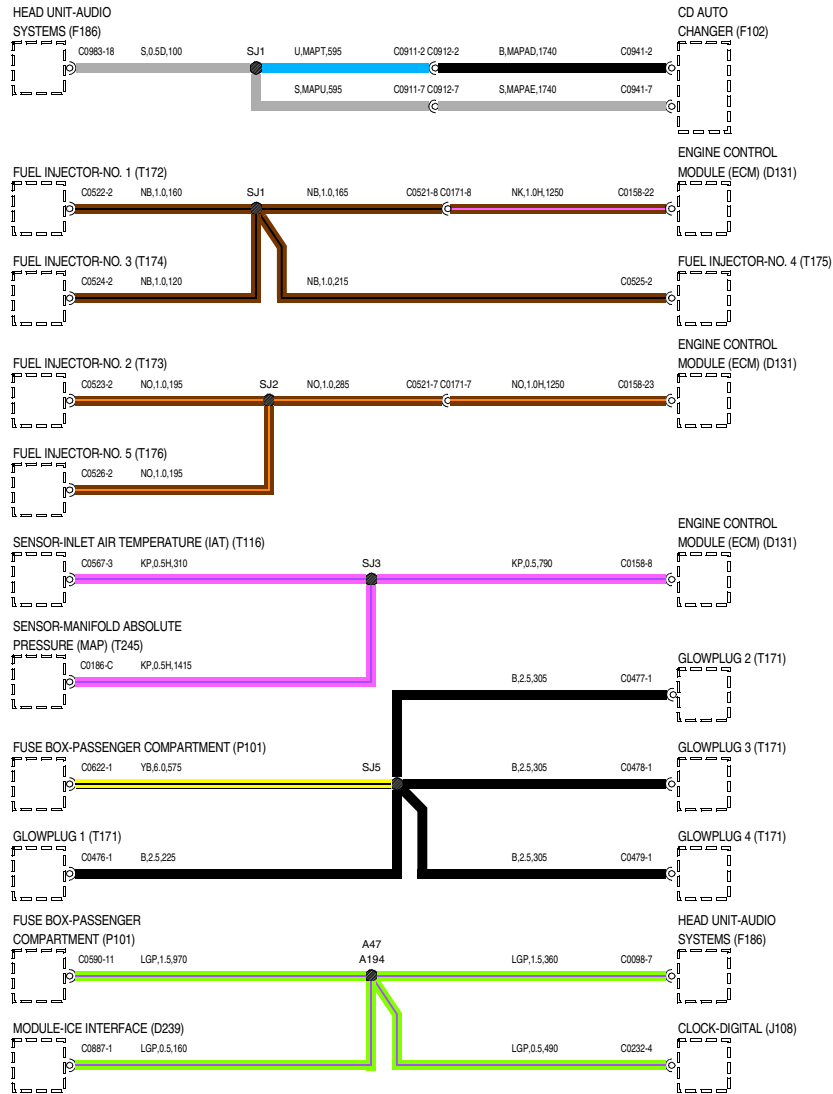
65 SPLICES AND CENTRE TAPS



WVR105870-A-05

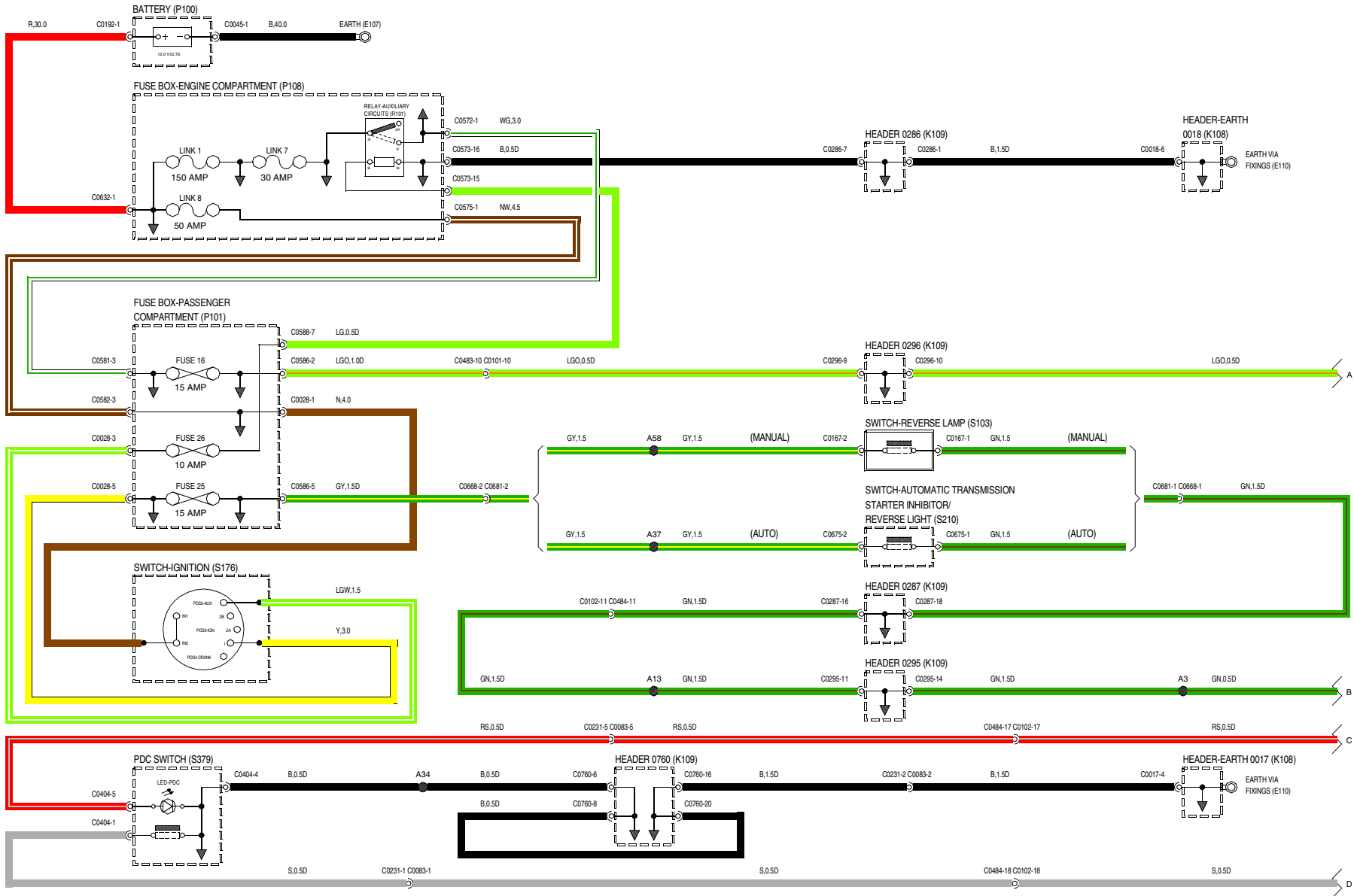


65 SPLICES AND CENTRE TAPS



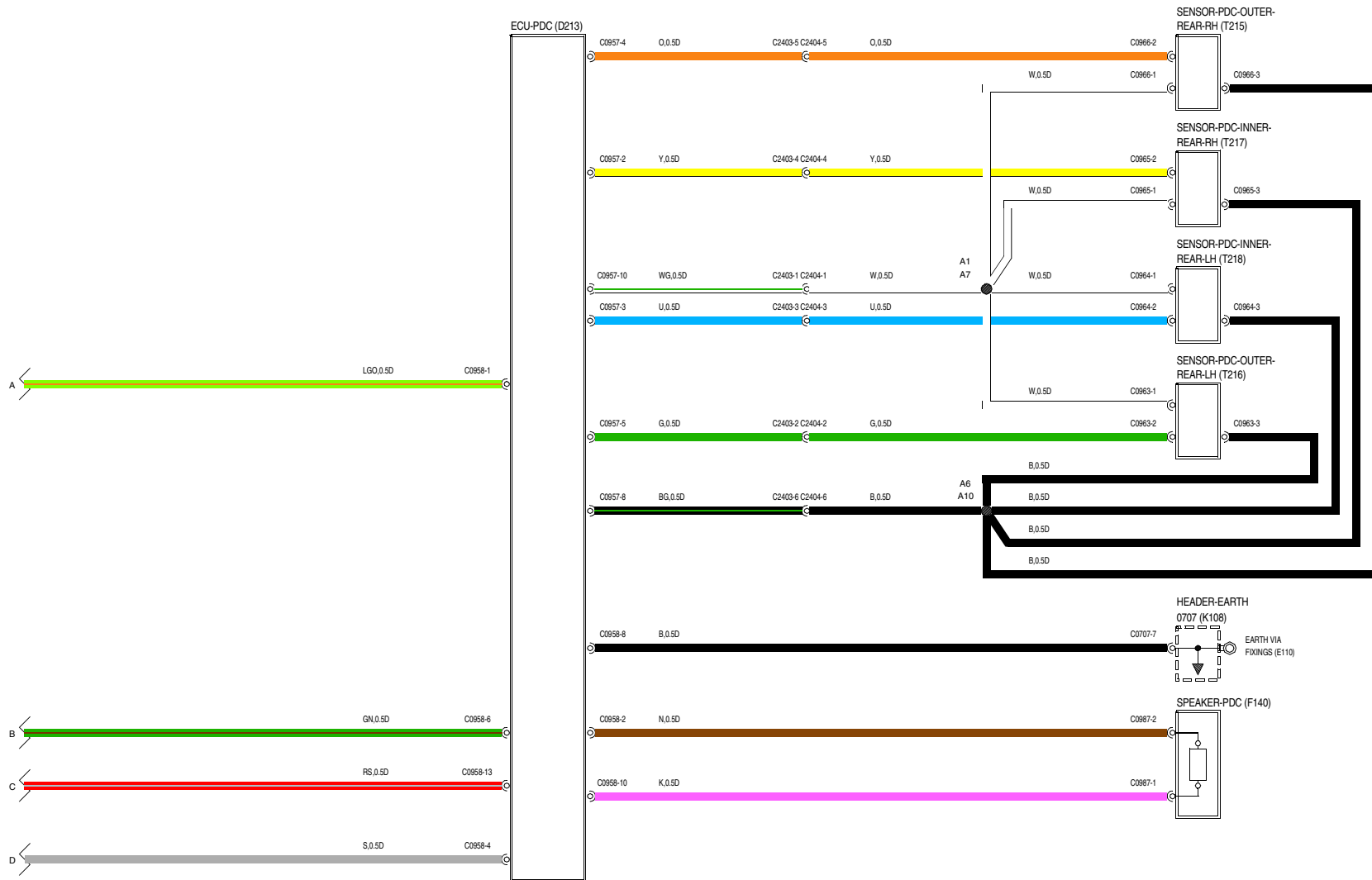
WVR105870-A-06

75 PARK DISTANCE CONTROL (PDC)



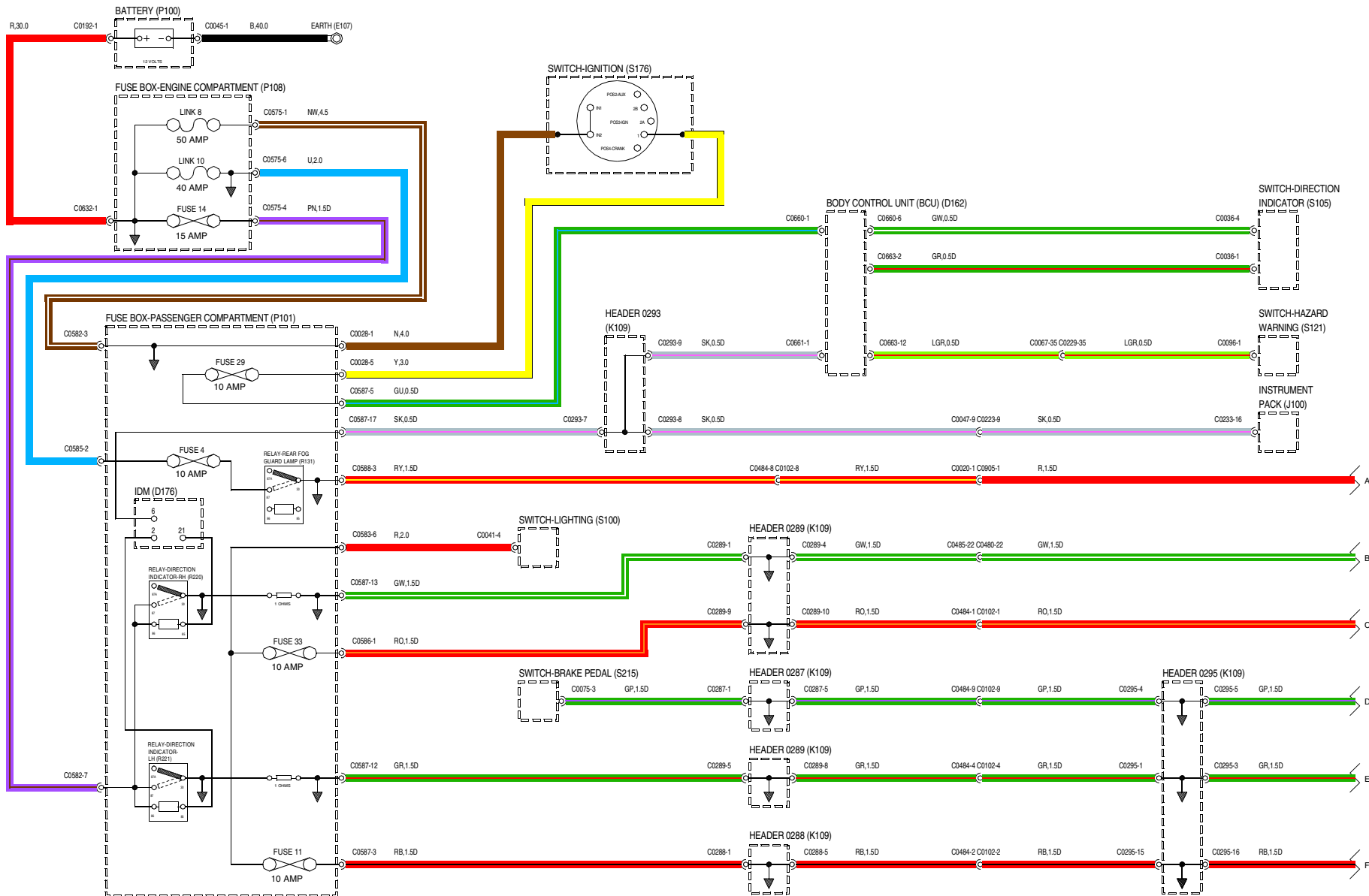
WRS0010-4-01

75 PARK DISTANCE CONTROL (PDC)



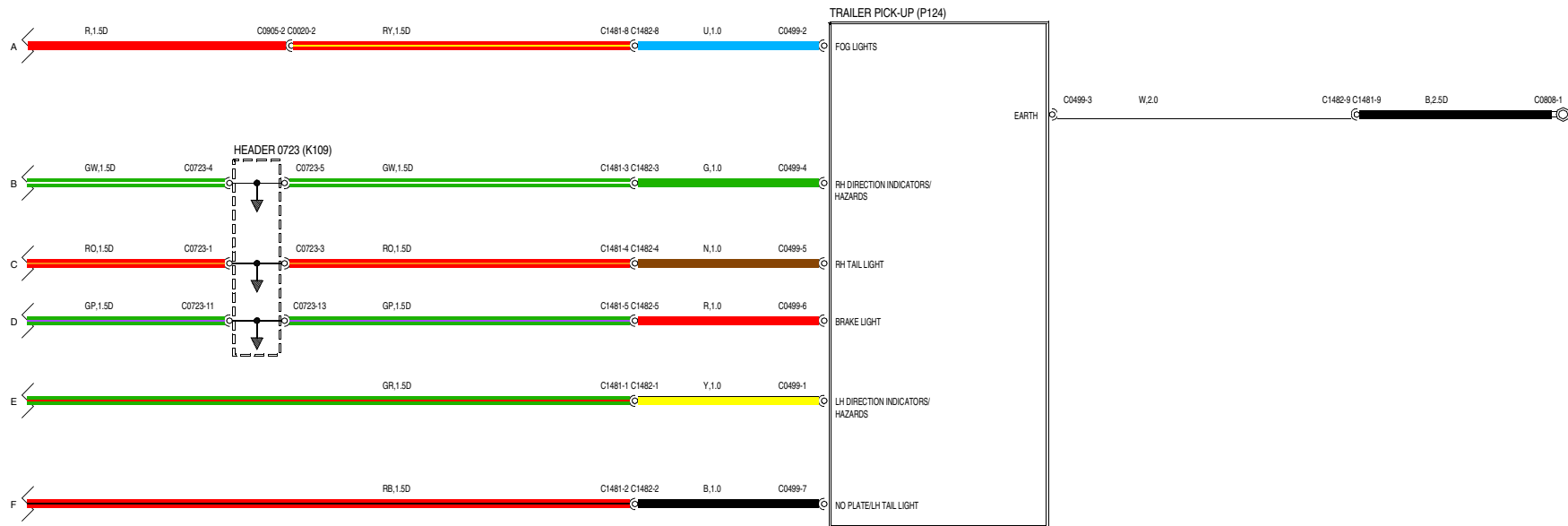
WRS00010-A-02

80 TRAILER SOCKET



WVR125030-4-01

80 TRAILER SOCKET



WWR125030-A-02