

DIY Rustic Dresser

Addicted2DIY.com



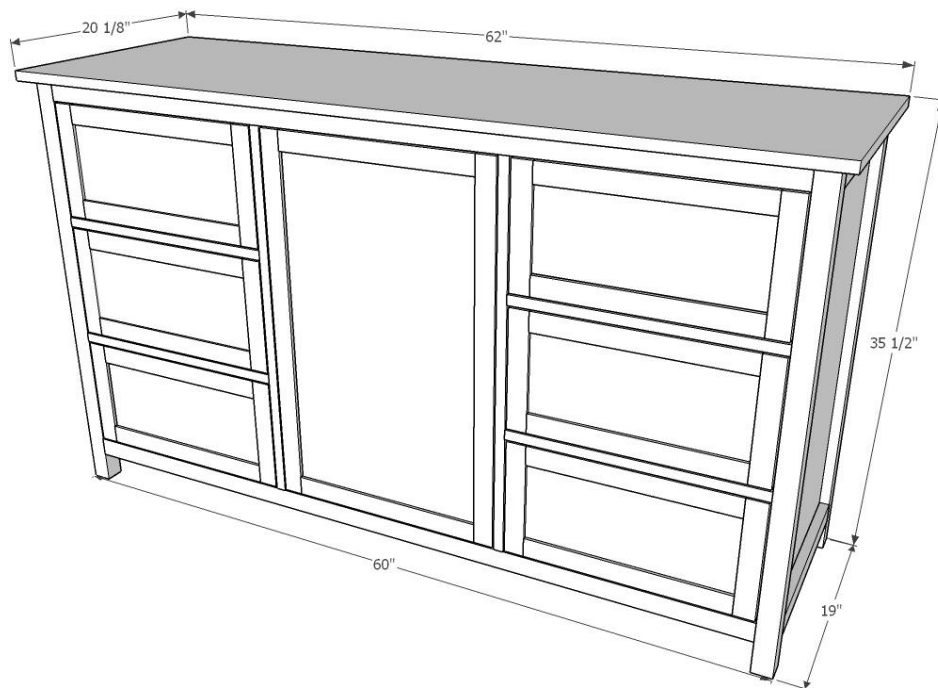
***Before beginning this project, please read through all of the plans as well as the blog post associated with this project. Always use safety precautions whenever using power tools and follow the manufacturer's suggested guidelines. Make sure to wear proper safety protection (eye protection, hearing protection, etc.) before beginning any project. Cut all pieces per the measurements in the plans, unless noted otherwise.**

Materials:

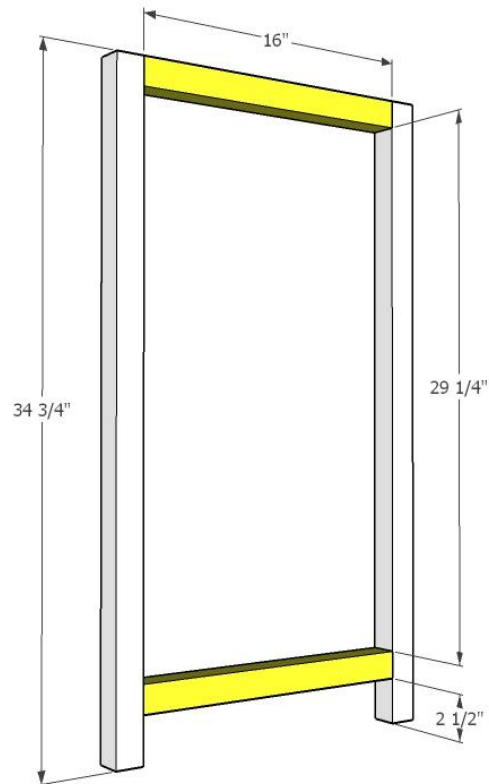
- 2 sheets – ¾" veneer plywood
- 1 sheet – ½" veneer plywood
- 1 sheet – ¼" veneer plywood
- 1 sheet – 1/8" hardboard (backer board)
- 6 – 1x2 select pine
- 6 – 2x2 select pine
- Kreg Jig
- 1 ¼" pocket screws
- 2 ½" pocket screws
- 1" pocket screws
- 1 ¼" wood screws
- 5/8" wood screws
- Desktop connectors
- ¾" forstner bit
- Narrow crown staple gun
- 1" narrow crown staples
- Drill
- Impact driver (optional)
- Miter Saw
- Table Saw or Circular Saw
- Router
- 15/64" straight router bit (undersized router bit)
- 7/8" veneer edge banding
- Clamps
- Wood Glue
- Orbital Sander
- 220 grit sandpaper
- Shelf pin jig
- Shelf pins
- 6 – 16" drawer slides
- 2 euro style hinges
- Cabinet hardware
- Wood conditioner
- Stain
- Polycrylic or polyurethane

Cut List:

- 4 – 2x2 @ 34 ¾"
- 8 – 2x2 @ 16"
- 4 – 2x2 @ 57"
- 2 – ¾" plywood @ 29 ¼ x 16"
- 2 – ¾" plywood @ 29 ¼ x 16 ½"
- 2 – 1x2 @ 29 ¼"
- 4 – 1x2 @ 18 ½"
- 1 – ¾" plywood @ 18 ½" x 16"
- 2 – ¾" plywood @ 18 ¼" x 16"
- 12 – ½" plywood @ 16" x 8"
- 12 – ½" plywood @ 16 ½" x 8"
- 6 – ¼" plywood @ 16 ½" x 17"
- 12 – 1x2 @ 15 ¼"
- 12 – 1x2 @ 9"
- 2 – 1x2 @ 15 ¼"
- 2 – 1x2 @ 29"
- 1 – ¼" plywood @ 15 ¾" x 26 ½"
- 1 – ¾" plywood @ 62" x 20 1/8"
- 1 – 1/8" hardboard backer @ 59 1/2" x 31 3/4"

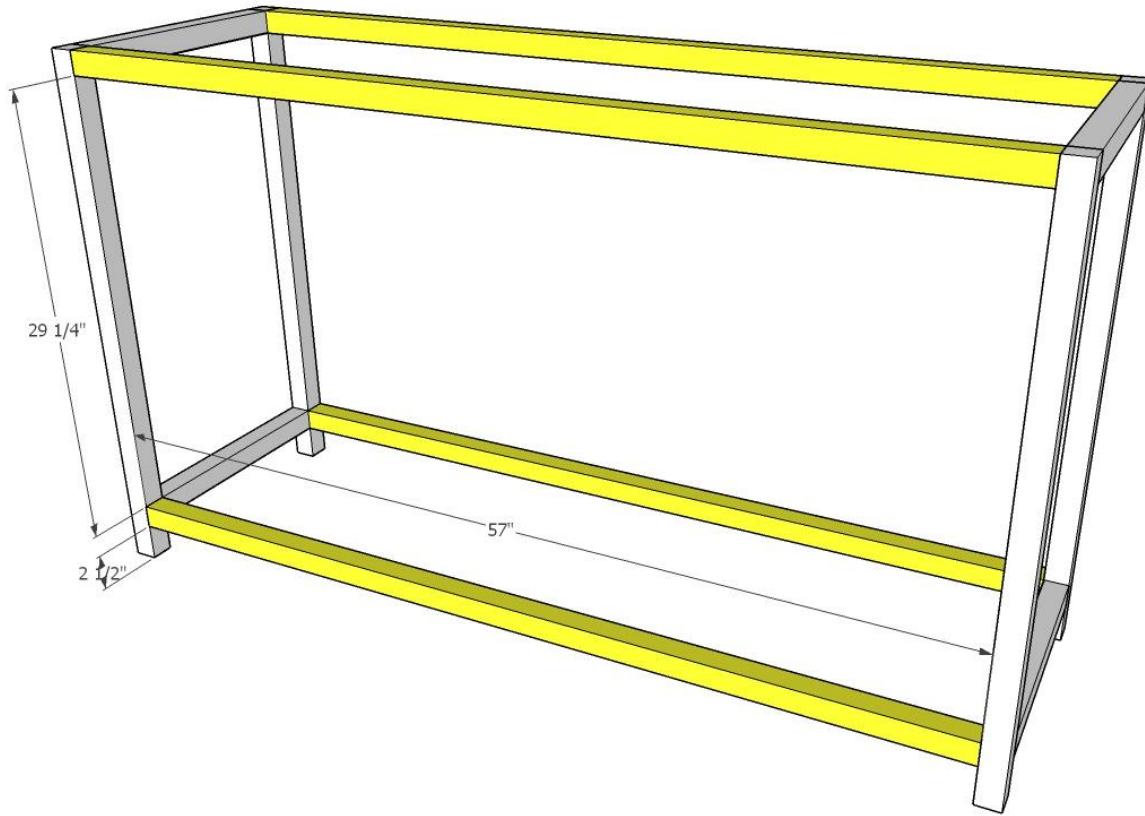


STEP 1:



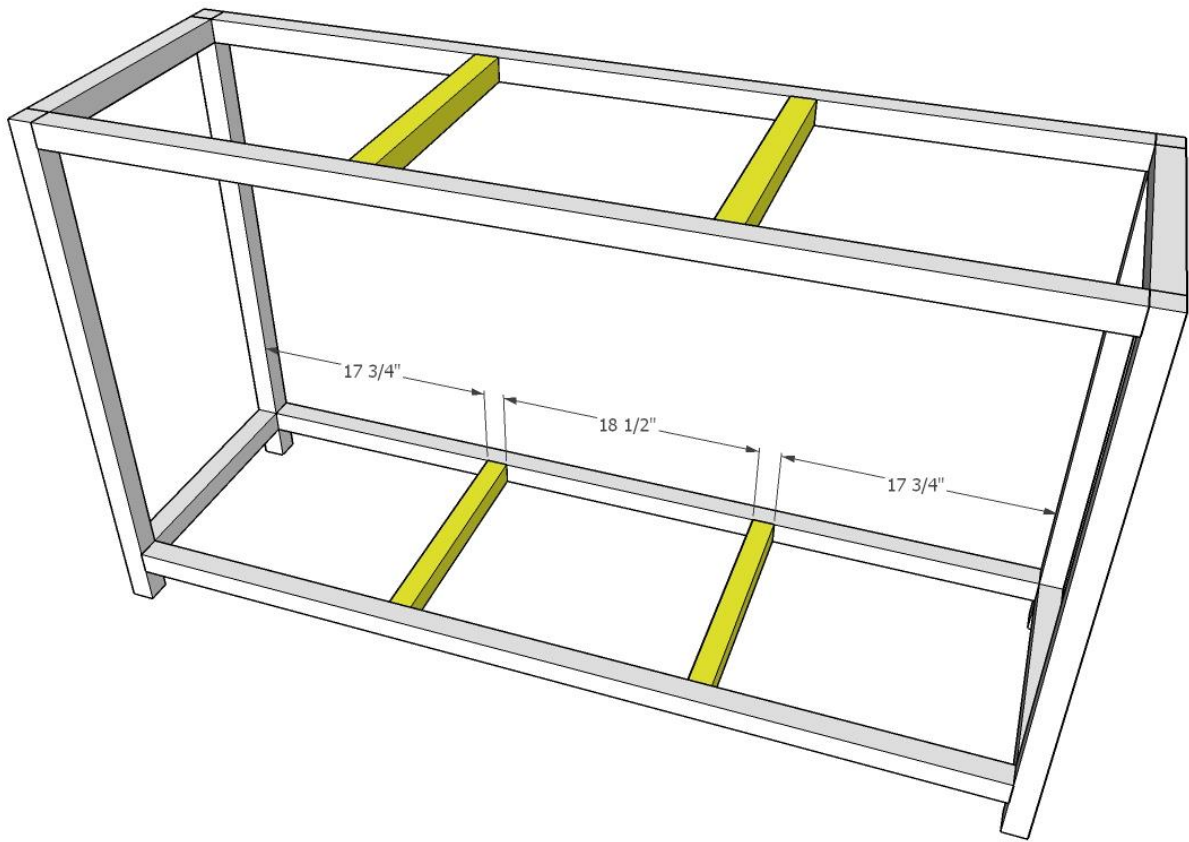
Assemble the dresser sides. Drill 1 1/2" pocket holes into the top and bottom stretchers. Attach to the legs as shown with wood glue and 2 1/2" pocket screws.

STEP 2:



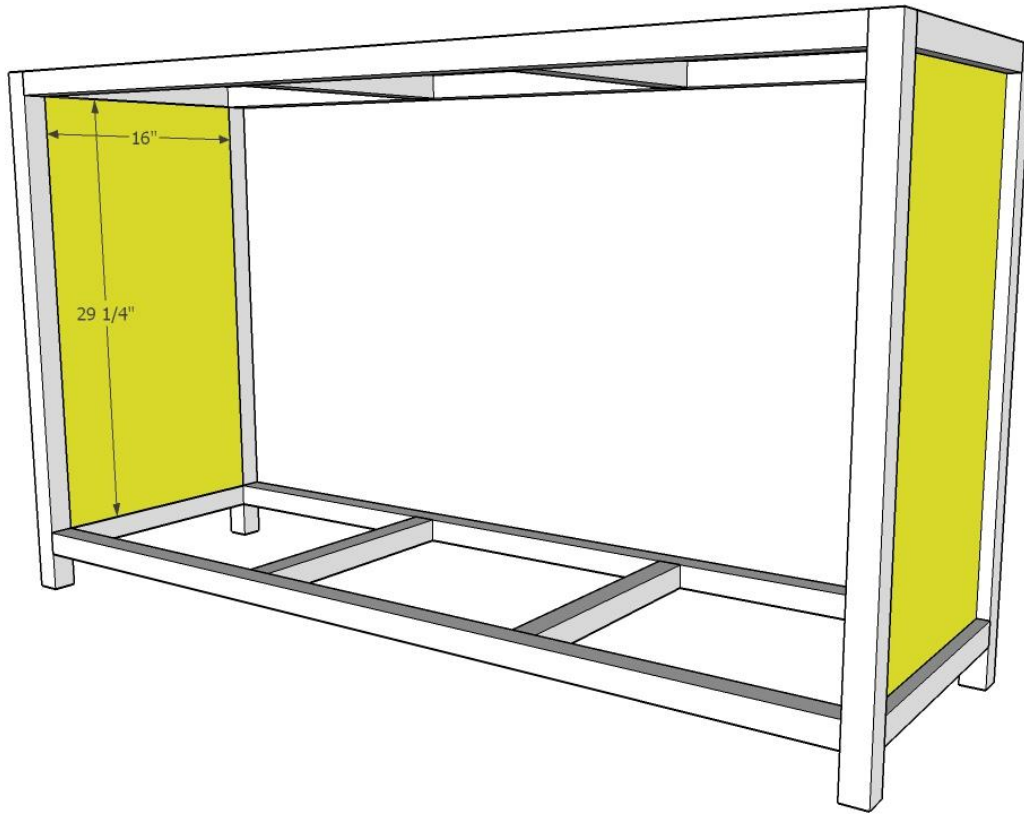
Drill 1 ½" pocket holes into the top and bottom apron pieces. Attach to the sides with wood glue and 2 ½" pocket screws.

STEP 3:



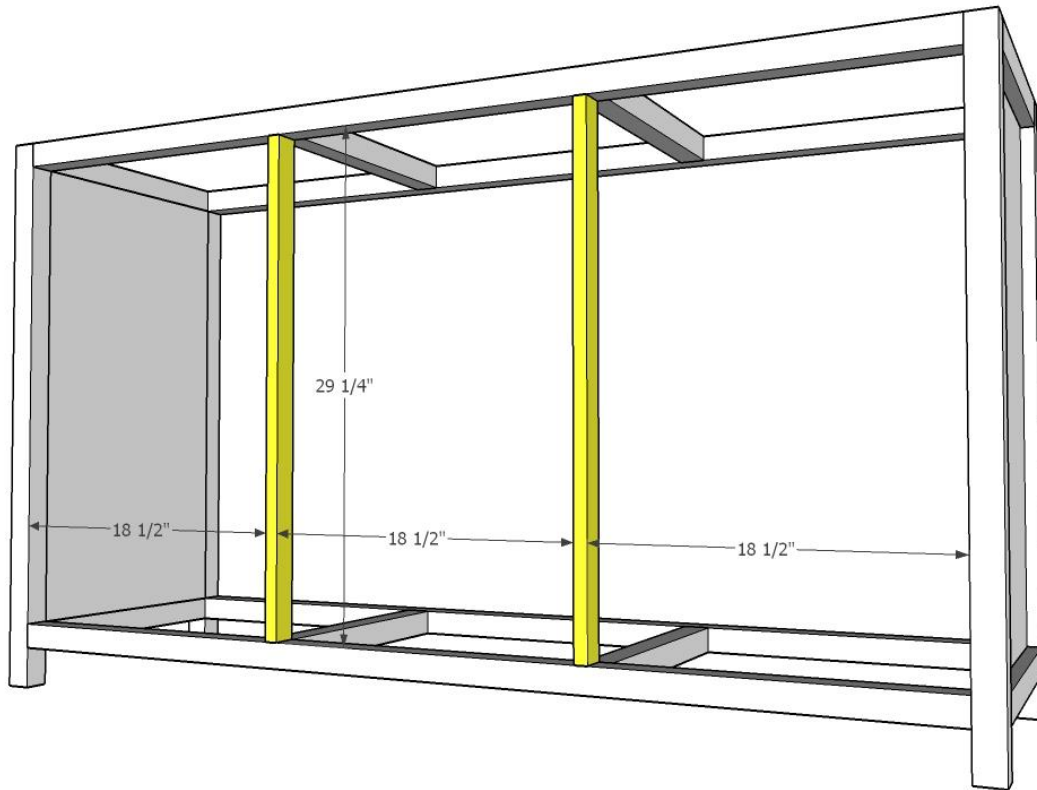
Measure and mark the locations for the center supports as shown in the diagram. Drill 1 1/2" pocket holes and attach with wood glue and 2 1/2" pocket screws.

STEP 4:



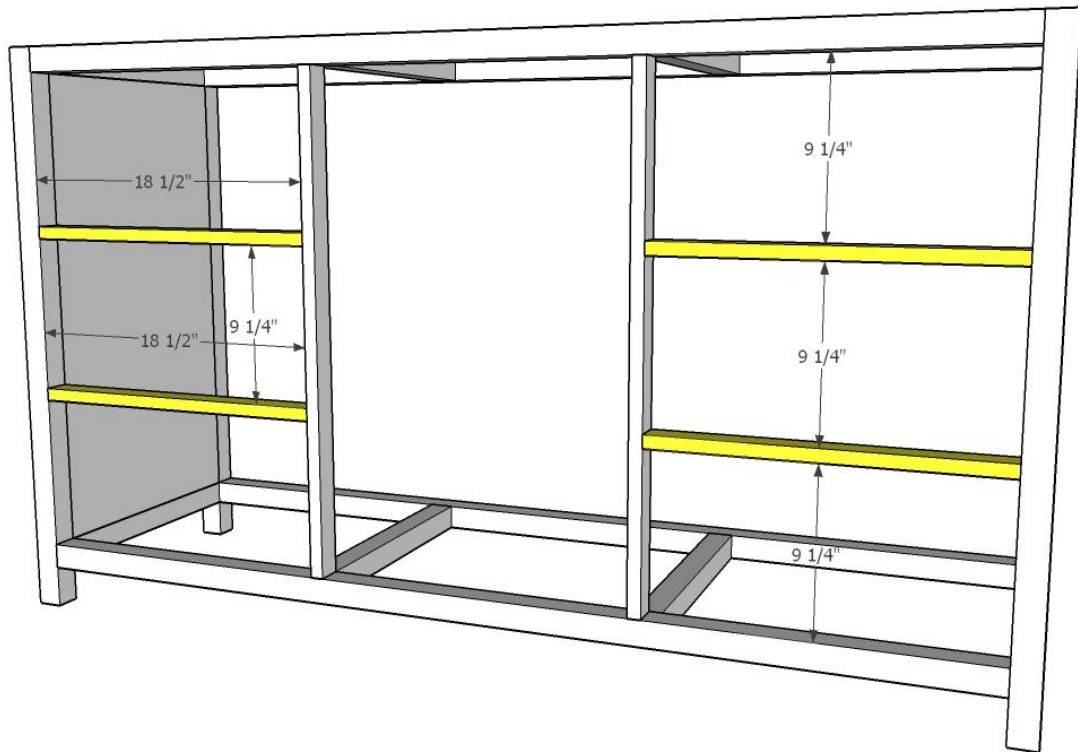
Drill $\frac{3}{4}$ " pocket holes into the $\frac{3}{4}$ " plywood side panels on all 4 sides. Apply wood glue to the edges and insert flush with the inside edge of the legs. Clamp and attach with $1 \frac{1}{4}$ " pocket screws.

STEP 5:



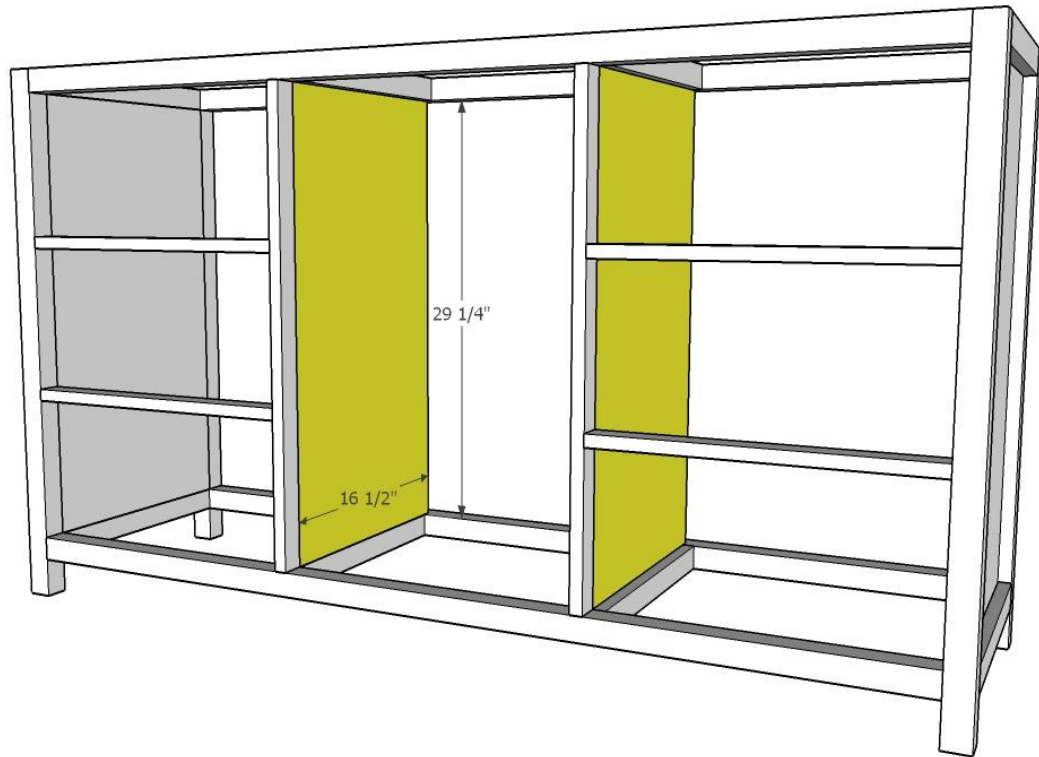
Drill $\frac{3}{4}$ " pocket screws into the 1x2 vertical frame pieces. Apply wood glue to each end and place 18 $\frac{1}{2}$ " apart. Clamp into place and attach to the front aprons with 1 $\frac{1}{4}$ " pocket screws.

STEP 6:



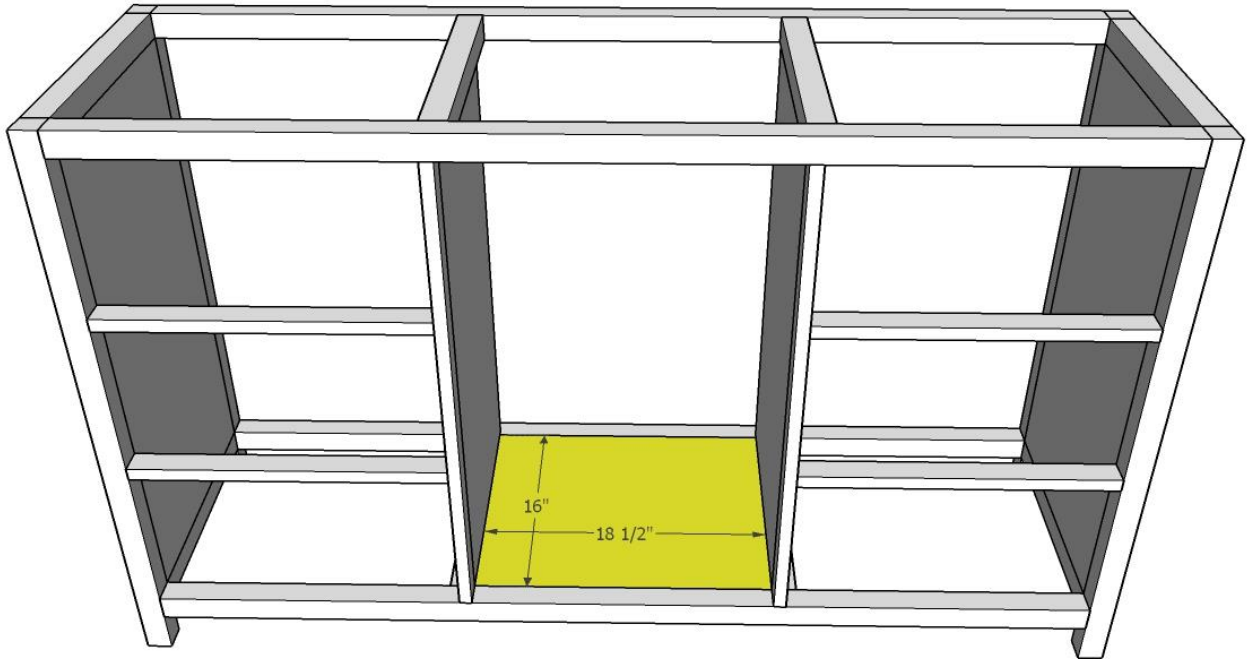
Drill $\frac{3}{4}$ " pocket holes into the horizontal frame pieces. Cut two pieces of scrap wood at $9\frac{1}{4}$ " to act as spacer blocks. Apply wood glue to each end of the horizontal frame pieces. Set the lower pieces onto the blocks and clamp into place. Attach with $1\frac{1}{4}$ " pocket screws. Repeat these steps for the remaining horizontal pieces.

STEP 7:



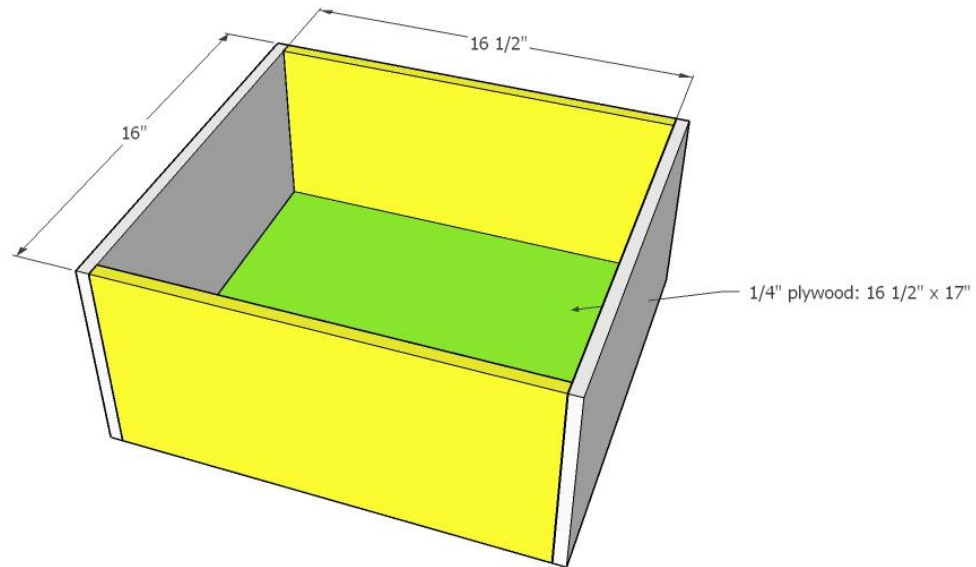
Install the wall panels for the center cabinet. Drill $\frac{3}{4}$ " pocket holes into top, bottom and front edges of the plywood. Glue the three edges and place flush with the inside edge of the upper and lower 2x2 supports. Clamp into place and attach with $1\frac{1}{4}$ " pocket screws.

STEP 8:



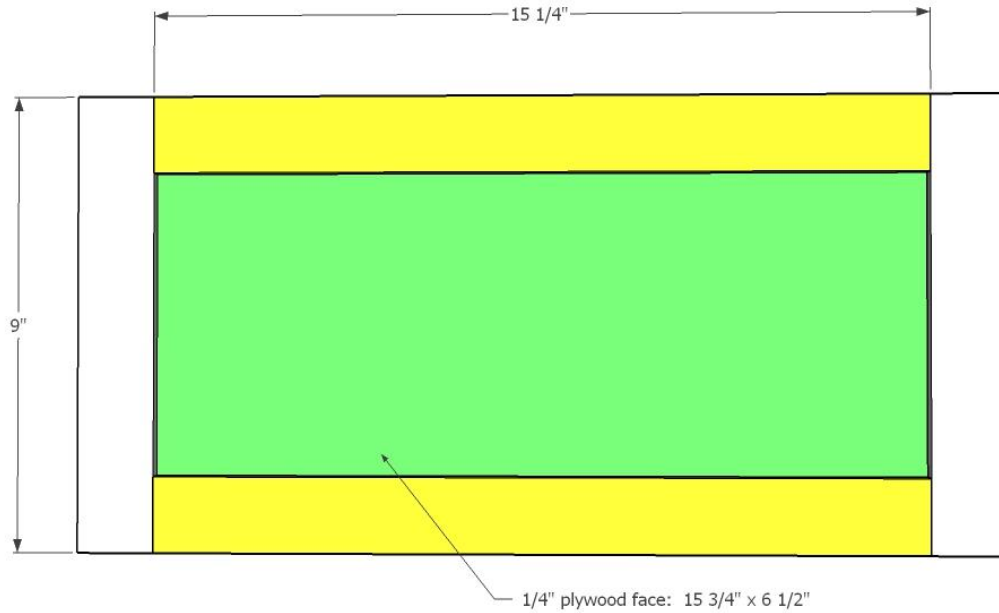
Install the plywood bottom to the center cabinet area. Drill $\frac{3}{4}$ " pocket holes into all four edges. Glue and clamp into place. Attach with $1\frac{1}{4}$ " pocket screws.

STEP 9:



Using a router fitted with a $\frac{15}{64}$ " straight bit, router a dado groove $\frac{1}{2}$ " up from the bottom of each of the drawer box pieces and $\frac{1}{4}$ " deep. Drill $\frac{1}{2}$ " pocket holes into the 16 $\frac{1}{2}$ " pieces. Add wood glue to the dado grooves and the edges of the 16 $\frac{1}{2}$ " pieces. Assemble the drawer boxes, fitting the $\frac{1}{4}$ " plywood bottom into the dados. Clamp and attach together with 1" pocket screws.

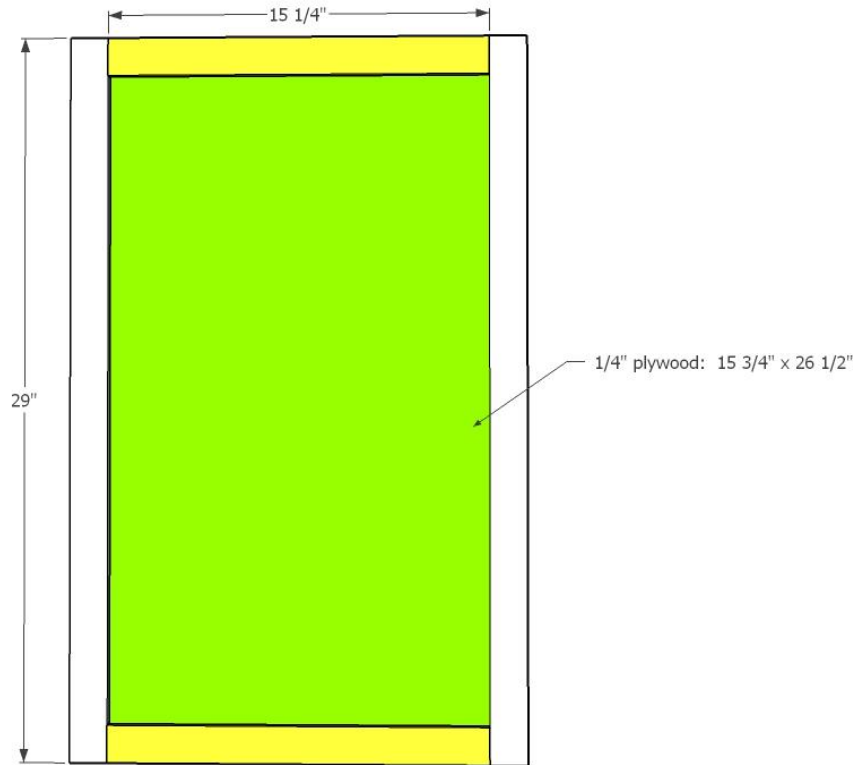
STEP 10:



Using the router again, add a dado groove to the inside edges of the 15 1/4" drawer front pieces. Ensure that the dado is centered on the edge of the pieces. For the 9" sides, mark your router table so that the router bit plunges 1 1/4" in from the end of the wood then lift 1 1/4" from the other end (see blog post or YouTube video for more). The dado grooves should be 1/4" deep.

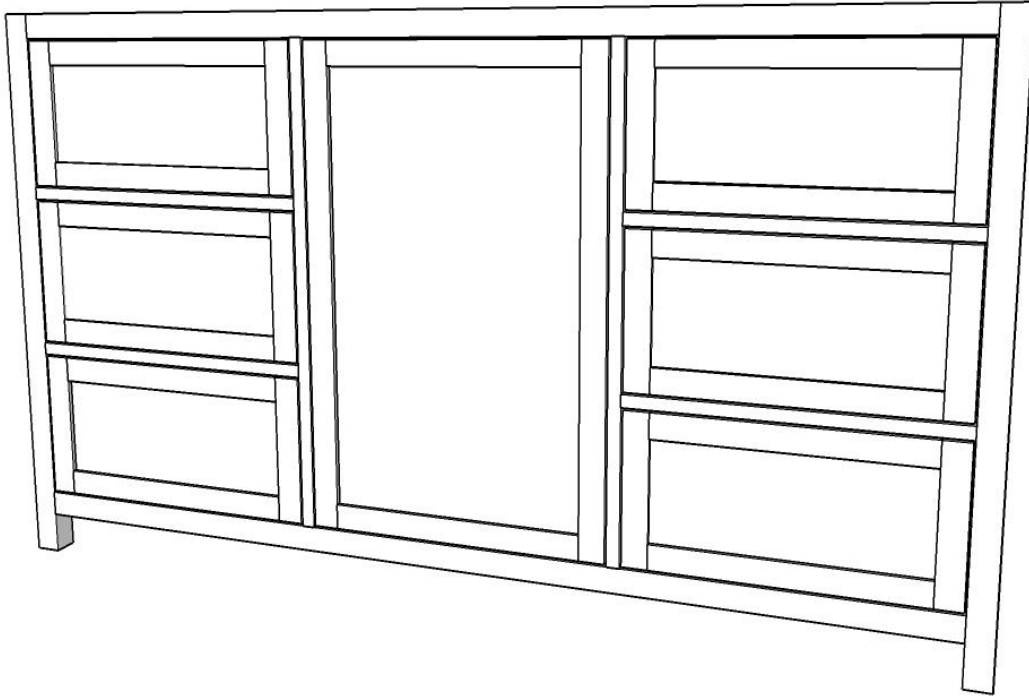
Drill 1 – 3/4" pocket hole into each end of the 15 1/4" pieces. Assemble the drawer faces by adding glue to the dado grooves and the ends of the 15 1/4" pieces. Insert the 1/4" plywood faces into the grooves. Clamp the drawer frame into place and attach with 1 1/4" pocket screws.

STEP 11:



For the cabinet door, follow the same steps for the drawer faces, routing a dado through the entire length of the 15 1/4" pieces and starting and ending the dado groove 1 1/4" in from each edge of the 29" pieces.

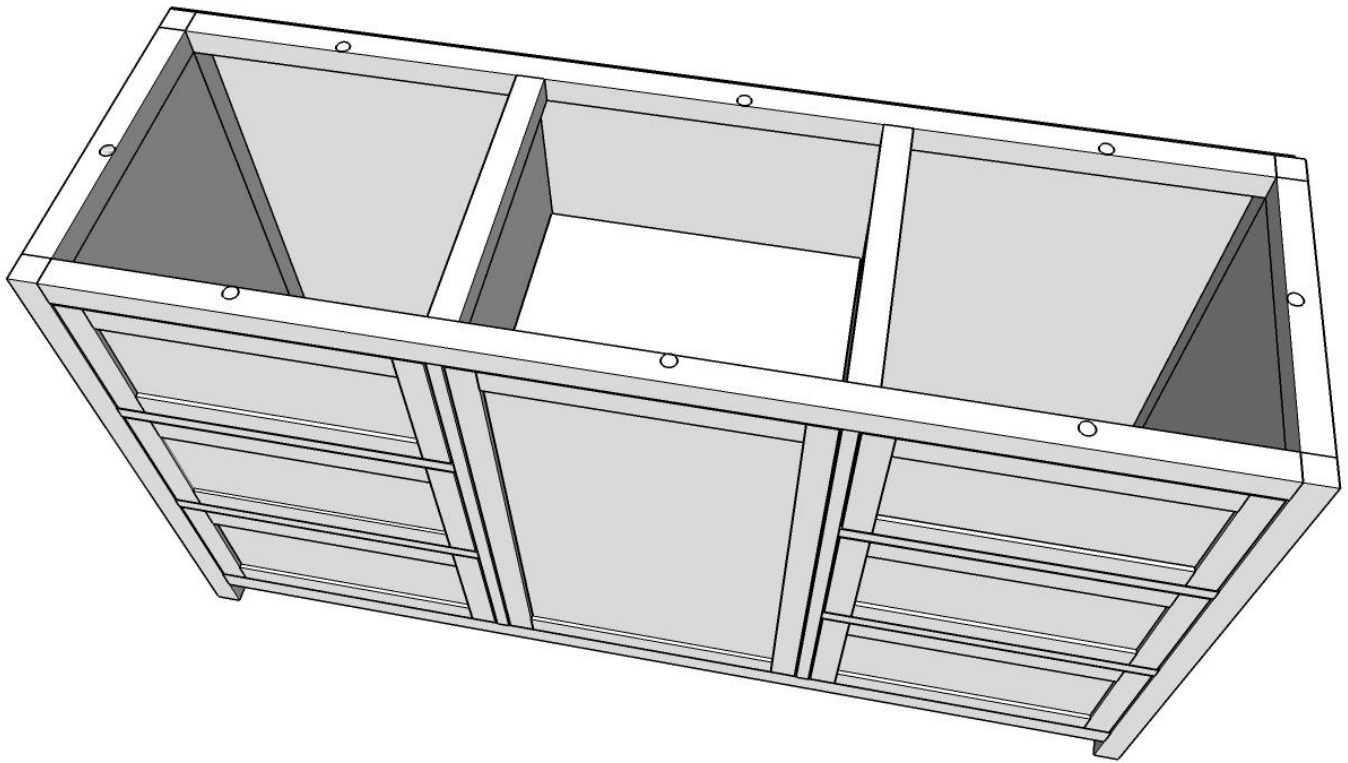
STEP 12:



Install the drawer slides onto the drawers. Using equal stacks of playing cards as spacers (about 10-12 for each stack), set the drawer fronts in place, one at a time. Clamp and screw 1" screws into the inside four corners of the drawer box.

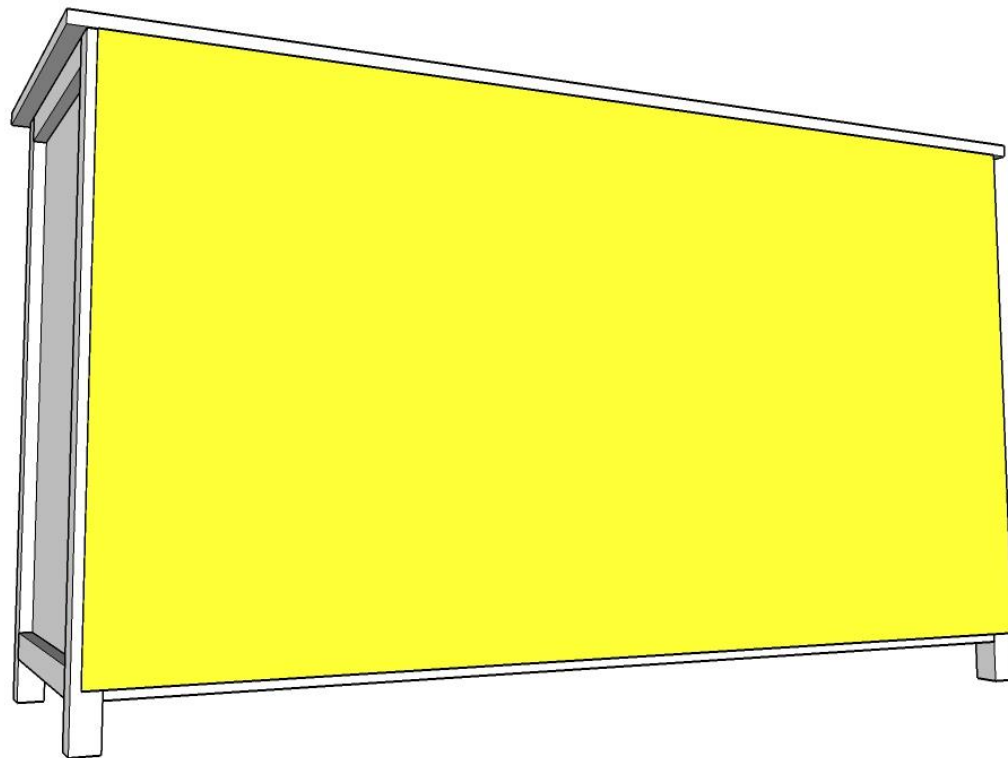
Using the cards as spacers for the door, have a helper hold the cabinet door flush with the front of the dresser frame. From the back side of the dresser, install euro hinges.

STEP 13:



To attach the top, trace around desktop fasteners per the diagram. Using a drill with a $\frac{3}{4}$ " forstner bit, drill $\frac{1}{8}$ " deep holes into the top of the dresser frame. Insert the desktop fasteners into the holes and attach with $1\frac{1}{4}$ " wood screws. Center the top over the dresser with a 1" overhang on the sides and front, and an $\frac{1}{8}$ " overhang over the back. Clamp or weigh down the top and attach from the underside with $\frac{5}{8}$ " wood screws.

STEP 14:



Attach the back with 1" narrow crown staples.