

Dolomite Rollators - Canada



Yes, you can.

Parts Catalogue Usage Guide

The information contained in this document is subject to change without notice. This catalogue contains service parts for Form No. 06-103C. If you have any questions regarding this catalogue, please contact one of our Customer Service Representatives.

For Customer Service Support Call:

1-800-668-5324 or 1-905-890-8300

For Faxed In Orders Call:

1-800-668-5478 or

1-905-890-5244

For Technical Service Call:

1-800-668-5324 x2655

For Orders:

canadaorders@invacare.com

Literature: www.invacare.ca or 1-800-668-5324

SYMBOL DEFINITION

Throughout this catalog you will notice letters to draw your attention to specific footnotes which are located at the bottom of the page or below specified charts.

Examples:

A,B,C etc. = Special Comments

NOTE: = General information pertaining to that specific page

NLA = No Longer Available

HARDWARE MEASUREMENTS

The measurements for the hardware will be listed as follows:

Screws, Bolts Diameter X Thread Count/Pitch X Length

Washers Inside Diameter X Outside Diameter X Thickness

Spacers Inside Diameter X Outside Diameter X Length

For your convenience, we have supplied an area for you to list your Invacare Representatives.

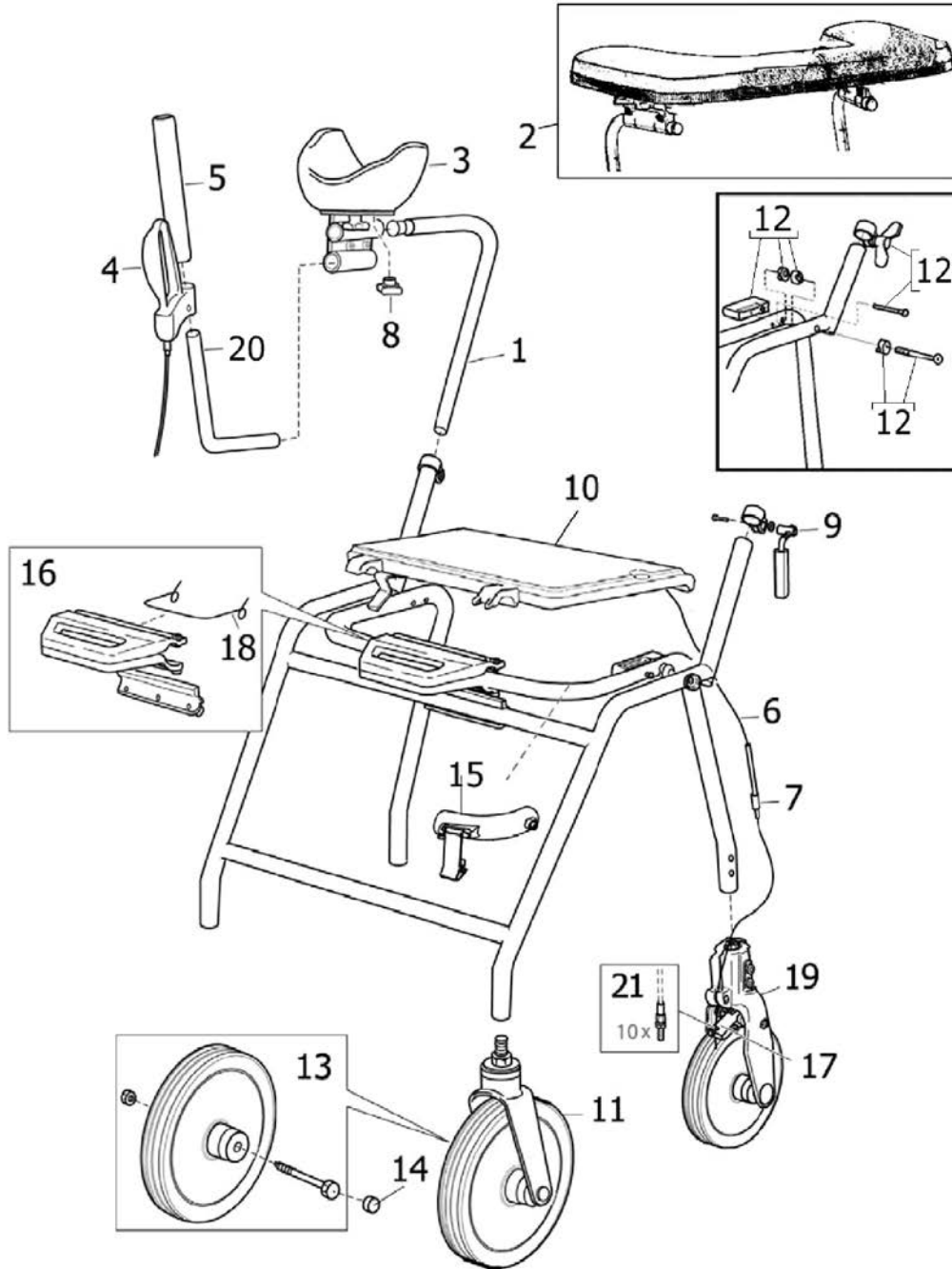
Name	Phone Numbers

© 2020 Invacare Corporation, Elyria, Ohio. Invacare, the Medallion Design and Yes, you can. are registered trademarks of the Invacare Corporation. Information is subject to change without notification.

TABLE of CONTENTS

Description	Page Number
01. Alpha Basic Attachment	3
02. Alpha Advanced Attachment	5
03. Amigo Rollator	7
04. Jazz Rollator - Service Parts (Before Serial No. 13CHX000681)	10
05. Jazz Rollator (JAZZSTD/JAZZLOW) Service Parts (After S/N 13CHX000681)	12
06. Jazz Rollator (JAZZSTD/JAZZLOW) Accessories (After S/N 13CHX000681)	14
07. Legacy Rollator	16
08. Legacy Lite Deluxe Rollator	19
09. Maxi+ Rollator	21
10. Melody Rollator	23
11. Soprano Rollator	25
12. Symphony Rollator	27

Alpha Basic Attachment

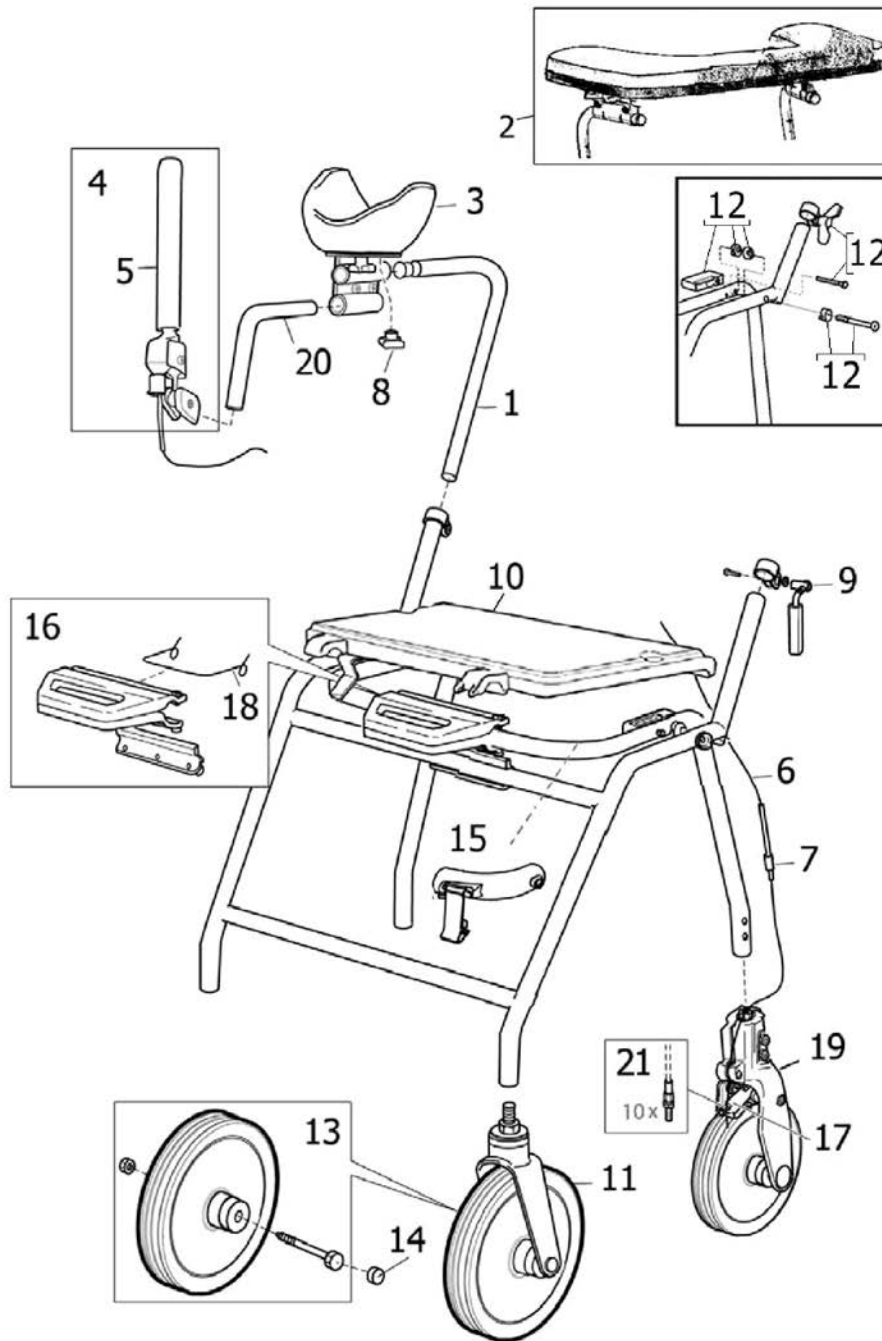


Alpha Basic Attachment

Item Number	Note	Part Number	Description	Quantity Per	
				Package	Assembly
1	A	13627	Tube, Height Adjustment, Aluminum	1	2
2		13018	Platform, Attachment	1	1
3		13005-L	Arm Support Assembly - Left	1	1
3		13005-R	Arm Support Assembly - Right	1	1
4		13098-L	Kit, Brake Handle - Left	1	1
4		13098-R	Kit, Brake Handle - Right	1	1
5		12593	Grip, Soft (Pair)	1	1
6		1452466	Wire (1330mm) (10 pack)	1	2
7		80075	Wire Cover (1000mm)	1	2
8		60042	Knob, Adjustment	1	2
8		1452467	Package, Knob, Adjustment	10	1
9		1452468	Locking Device with Clamp (Pair)	1	1
10		12545	Seat Assembly with Hardware, Flip-up	1	1
11		13565-25-V01	Wheel Assembly, Grey w/ Fork, SL II - Front	1	2
12		12678	Folding Hinge Assembly (Pair)	1	1
13		12609	Wheel with Hardware, Grey, SLII - Front	1	2
14		70050	Cap, Black Plastic - Front Fork	1	2
14		1452282	Cap, Black, Plastic - Front Fork (20 pack)	20	1
15		12656	Lock, Folding	1	1
16		1510376	Kit, Folding Handle	1	1
17		12620	Brake Flap Assembly, DABSII	2	1
18		72025	Spring, Torsion Handle	1	1
18		1529858	Package, Spring, Torsion Handle	10	1
19	A	12590-25	Wheel Assembly with Fork, Grey, SL II - Rear	1	2
20		13626	Tube, Handle, Aluminum	1	2
21		1542524	Package, Screw, Adjustment w /Nut	10	1
	B	70311	Tray, Food and Beverage	1	1
	B	12530-15	Basket, Standard / Low	1	1

NOTE: A - Use with Models built after December 2002.
B - Not Shown.

Alpha Advanced Attachment

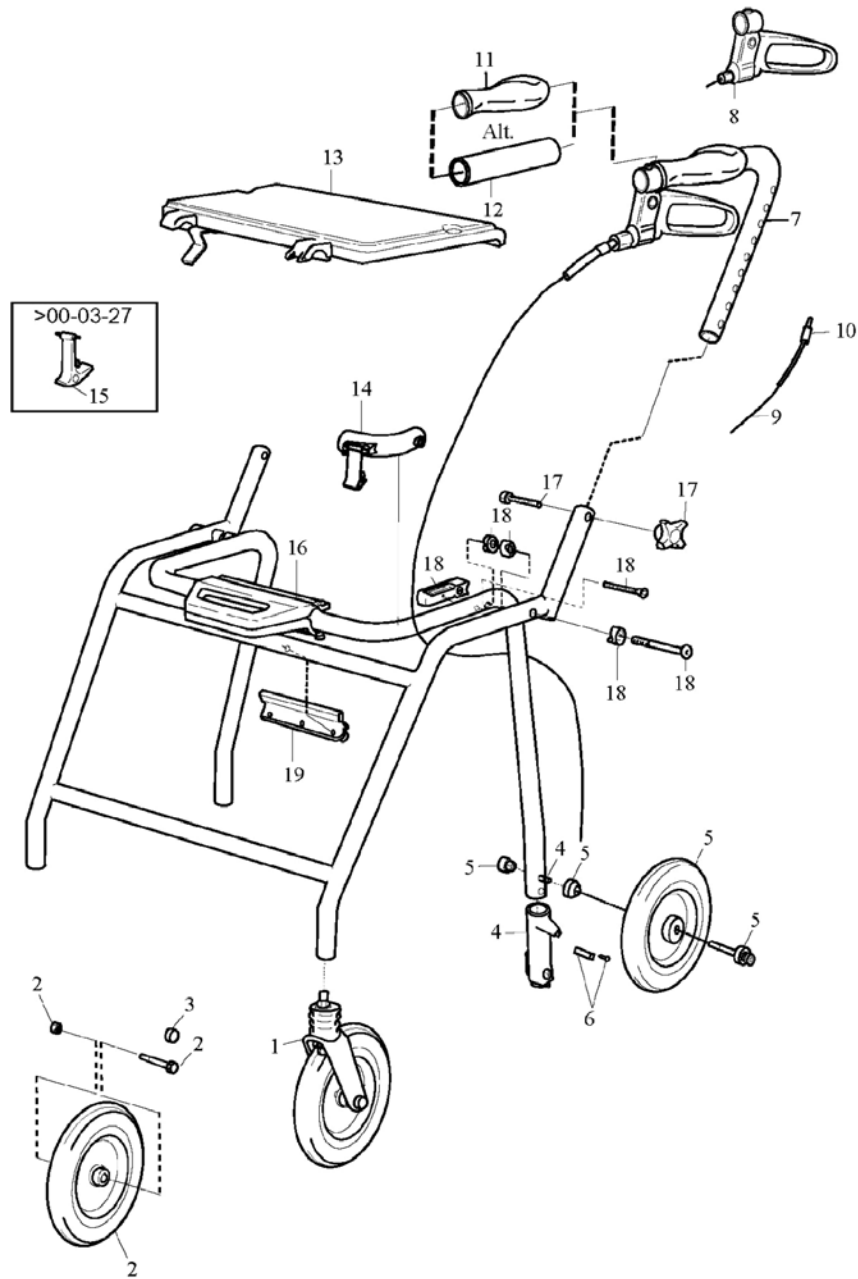


Alpha Advanced Attachment

Item Number	Note	Part Number	Description	Quantity Per	
				Package	Assembly
1	E	13627	Tube, Height Adjustment, Aluminum	1	2
2		13018	Platform, Attachment	1	1
3		13005-L	Arm Support Assembly - Left	1	1
3		13005-R	Arm Support Assembly - Right	1	1
4	A	1510549	Brake Handle Assembly, Soft Grip	1	2
5		12593	Grip, Soft (Pair)	1	1
6		1452466	Wire (1330mm) (10 pack)	10	1
7		80075	Wire Cover (1000mm)	1	2
8		60042	Knob, Adjustment	1	2
8		1452467	Package, Knob, Adjustment	10	1
9		1452468	Locking Device with Clamp (Pair)	1	1
10		12545	Seat Assembly with Hardware, Flip-up	1	1
11		13565-25-V01	Wheel Assembly, Grey w/ Fork, SL II - Front	1	2
12	B,E	12678	Folding Hinge Assembly (Pair)	1	1
12	C,D	12679	Folding Hinge Assembly (Pair)	1	1
13		12609	Wheel with Hardware, Grey, SLII - Front	1	2
14		70050	Cap, Black Plastic - Front Fork	1	2
14		1452282	Cap, Black, Plastic - Front Fork (20 pack)	20	1
15		12656	Lock, Folding	1	1
16		1510376	Kit, Folding Handle	1	1
17		12620	Brake Flap Assembly, DABSII	2	1
18		72025	Spring, Torsion Handle	1	1
18		1529858	Package, Spring, Torsion Handle	10	1
19		12590-25	Wheel Assembly with Fork, Grey, SL II - Rear	1	2
20	E	13628	Tube, Handle, Aluminum	1	2
21		1542524	Package, Screw, Adjustment w /Nut	10	1
	F	70311	Tray, Food and Beverage	1	1
	F	12530-15	Basket, Standard / Low	1	1

NOTE: A - Includes Brake Handle, Grip, Link, Housing, Wire and Screws.
 B - Includes Seat Stopper, Clamp, Washer, Spacer and Screws.
 C - Includes Seat Stopper, Spacer and Screws.
 D - Use with Models built before May 2002.
 E - Use with Models built after December 2002.
 F - Not Shown.

Amigo Rollator



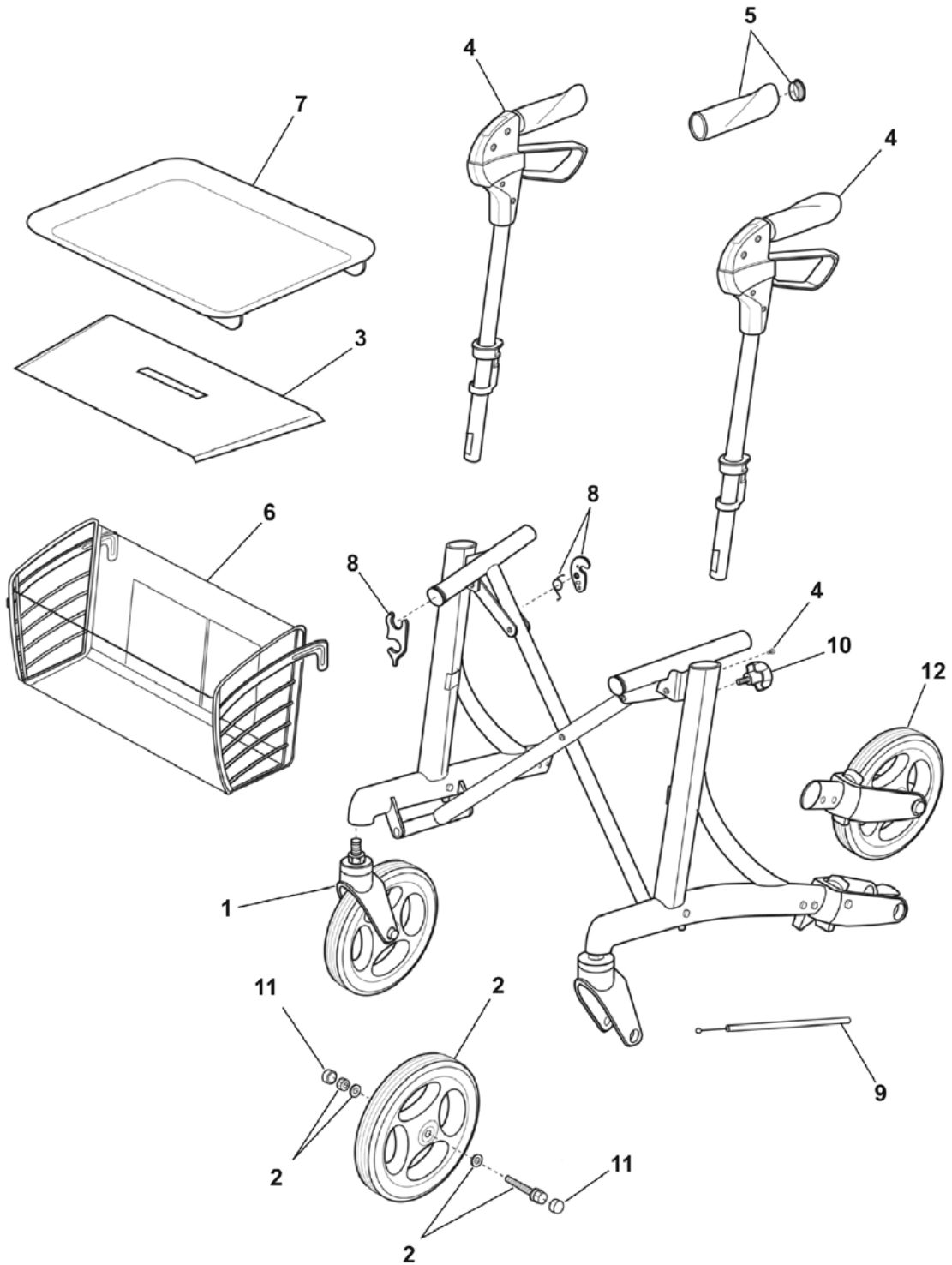
Amigo Rollator

Item Number	Note	Part Number	Description	Quantity Per	
				Package	Assembly
1	A	13571	Kit, Wheel with Fork Assembly SL200-Narrow - Front	1	1
		80079	Wheel, Front	1	2
		72210	Sleeve	1	2
		62007	Washer	1	2
		61016	Locknut (M8)	1	2
		60040	Screw	1	2
		13550	Fork	1	2
		70050	Cap, Black Plastic - Front Fork	1	2
2		13573	Wheel Assembly with Hardware, SL200-Narrow - Front	1	2
		12521	Wheel, SL200-Narrow - Front	1	2
3		70050	Cap, Black Plastic - Front Fork	1	2
4	B	13574	Kit, Brake Sleeve	1	1
		70308	Sleeve, Brake	1	2
		62066	Block, Brake	1	2
		60099	Screw, Oval Head (M2.5 x .45 x 10mm)	1	2
5	C	12533	Kit, Wide Wheel Assembly with Hardware - Rear	1	1
		80071	Wheel, Wide - Rear	1	2
		60041	Screw (M8 x 80mm)	1	2
		60148	Screw, Stop (M8 x 80mm)	1	2
		61022	Nut	1	2
		62007	Washer	1	2
		63040	Sleeve	1	2
		70066	Bushing	1	2
		70093	Bushing	1	2
6		12660	Shoe, Brake	1	2
7		13040	Kit, Handle DABS - Left	1	1
7		13039	Kit, Handle DABS - Right	1	1
8		13464-L	Brake Handle Assembly - Left	1	1
8		13464-R	Brake Handle Assembly - Right	1	1
9		80078	Wire (1115mm)	1	2
10		80077	Wire Cover (1050mm)	1	2
11		12509	Grip Anatomic with Cover (Pair)	2	1
12		12677	Grip, Soft (220mm) (Pair)	2	1
13		12545	Seat Assembly with Hardware, Flip-up	1	1
14		12656	Lock, Folding	1	1
		70202	Latch, Safety w/o Holder	1	1
15		12615	Latch, Safety, Seat	1	1
16		12622	Kit, Folding Handle	1	1
17		12665	Adjustment Knob and Screw (Pair)	2	1
18	D	12648	Folding Hinge Assembly (Pair)	2	1
		70179	Spacer, Tube	1	1
		13337-16	Stopper, Seat	2	2
		60001	Screw (M8 x 80mm)	2	2

Amigo Rollator

Item Number	Note	Part Number	Description	Quantity Per	
				Package	Assembly
19		60109	Screw, Seat Support (M5 x .8 x 30mm)	2	2
		12647	Rail, Folding with Hardware	1	1
		82057	Instruction Sheet	1	1
NOTE: A - Includes: Front Wheel, Sleeve, Washer, Fork, Screw, Nut and Cap. B - Includes: Brake Sleeve, Brake Block and Screw. C - Includes: Rear Wheel, Screw, Stop Screw, Nut, Washer, Sleeve and Bushings. D - Includes: Seat Stopper, Spacer and Screws.					

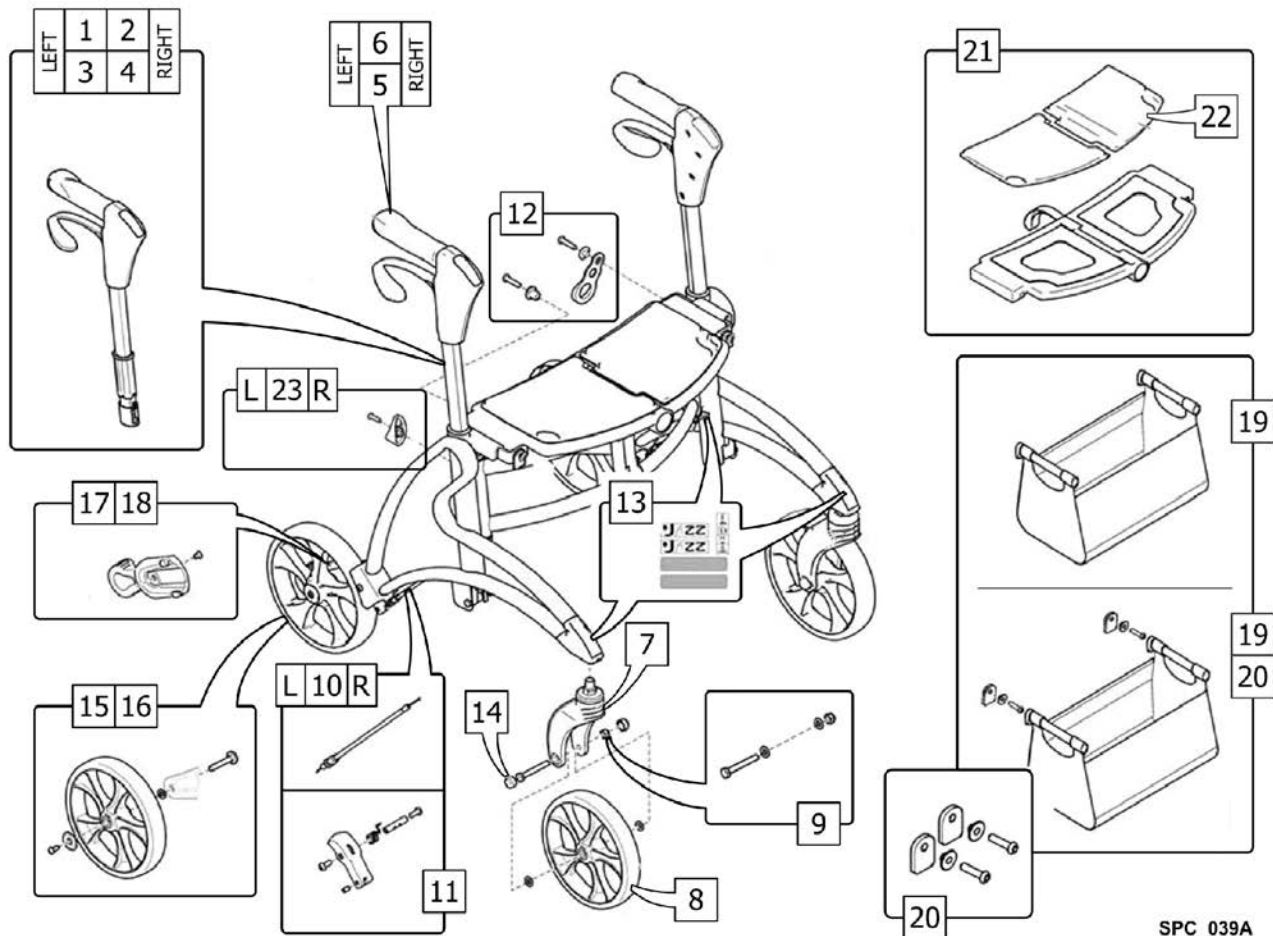
Jazz Rollator - Service Parts (Before Serial No. 13CHX000681)



Jazz Rollator - Service Parts (Before Serial No. 13CHX000681)

Item Number	Note	Part Number	Description	Quantity Per	
				Package	Assembly
1		1452473	Front Fork Complete	1	1
2		1452443	Kit, Wheel	1	1
3		1452485	Seat, Jazz Rollator	1	1
4		1452482	Kit, Handle w/ Nut, Jazz 520 - Left	1	1
4		1452483	Kit, Handle w/ Nut, Jazz 520 - Right	1	1
4		1513083	Kit, Handle w/ Nut, Jazz 600 - Left	1	1
4		1513082	Kit, Handle w/ Nut, Jazz 600 - Right	1	1
5		1452484	Kit, Grip - Left/Right	1	1
6		1452336	Basket, Rollator	1	1
7		1452301-NLA	NLA - Tray, Rollator	1	1
8		1452481	Kit, Rollator Folding	1	1
9		1452479	Wire and Cover	1	1
10		1452480	Knob, Rollator (Pair)	1	1
11		1452282	Cap, Black, Plastic - Front Fork (20 pack)	1	1
12		1513148	Rear Fork, Complete - Left	1	1
12		1518066	Rear Fork, Complete - Right	1	1

Jazz Rollator (JAZZSTD/JAZZLOW) Service Parts (After S/N 13CHX000681)



SPC_039A

Jazz Rollator (JAZZSTD/JAZZLOW) Service Parts (After S/N 13CHX000681)

Item Number	Note	Part Number	Description	Quantity Per	
				Package	Assembly
1		1543723	Brake Handle Assembly (JAZZLOW) - Left	1	1
2		1543722	Brake Handle Assembly (JAZZLOW) - Right	1	1
3		1543725	Brake Handle Assembly (JAZZSTD) - Left	1	1
4		1543724	Brake Handle Assembly (JAZZSTD) - Right	1	1
5		1563282	Grip, Anatomic (Pair)	1	1
6		SP1581929	Grip, Soft (130mm) (Pair)	1	1
7		1553013	Front Fork, Complete	1	1
8		1551848	Wheel	1	1
9		1563204	Axle, Complete, Front Wheel	1	1
10		1563205	Wire and Cover	1	1
11		1563249	Brake Flap Assembly	1	1
12		1563206	Folding, Lock w/ Hardware	1	1
13		1563255	Kit, Label	1	1
14		1452282	Cap, Black, Plastic - Front Fork (20 pack)	1	1
15		1563247	Rear Wheel w/ Hardware	1	1
16	A	SP1581927	Rear Wheel, Complete	1	1
17	B	SP1576558	Curb Climber	1	1
18	A	1563251	Curb Climber	1	1
19	C	SP1582945	Basket	1	1
20		FA1580881	Bracket, Rebuild, Complete	1	1
21		1542575	Seat, Rollator, Jazz	1	1
22		1563253	Pads, Seat	1	1
23		1563244	Handle Height Adjustment w/ Hardware	1	1
NOTE: A - Rollator manufactured after June, 2014. B - Rollator manufactured before June, 2014. C - Rollator manufactured after February, 2014.					

Jazz Rollator (JAZZSTD/JAZZLOW) Accessories (After S/N 13CHX000681)

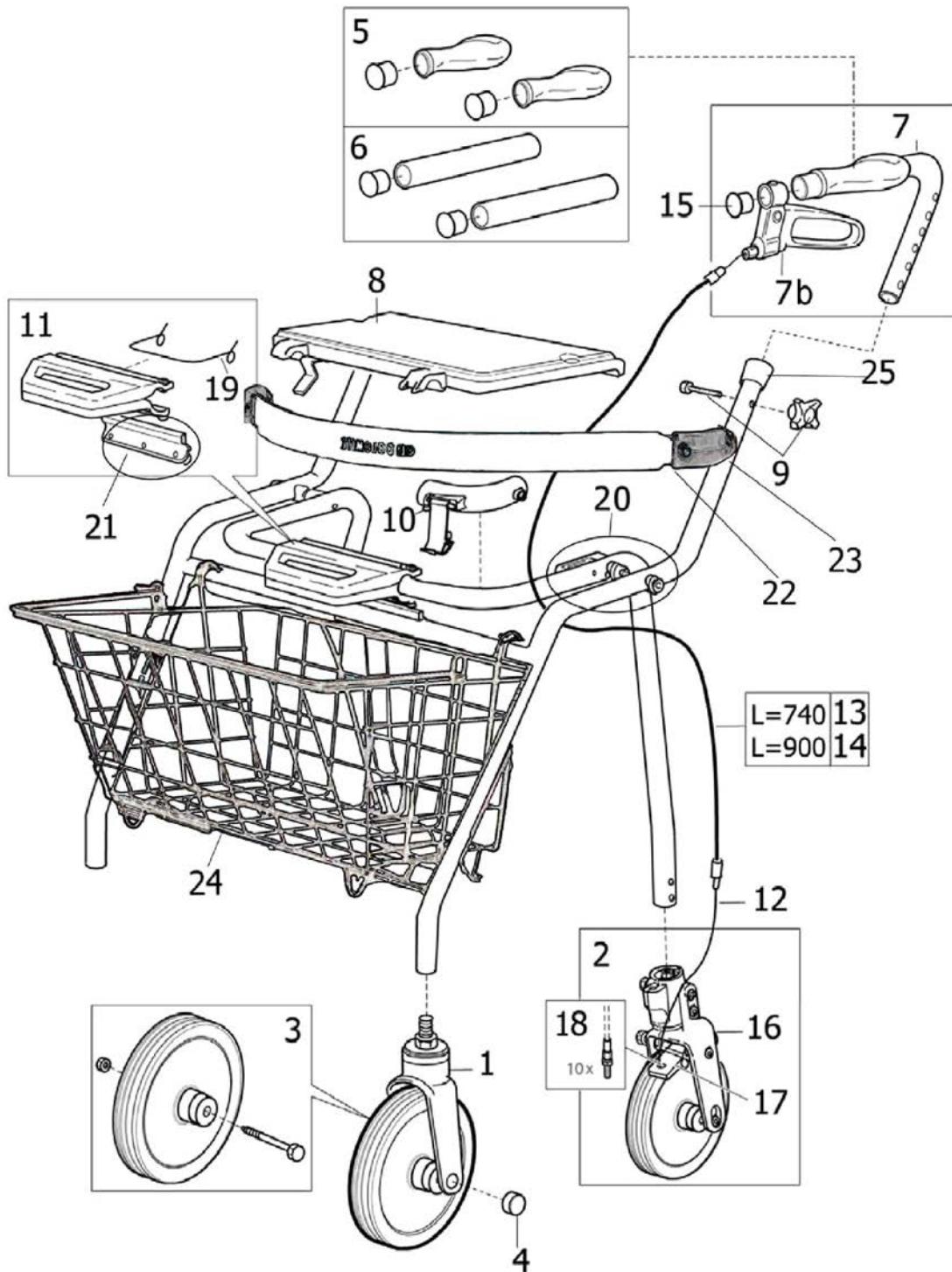


SPC_040A

Jazz Rollator (JAZZSTD/JAZZLOW) Accessories (After S/N 13CHX000681)

Item Number	Note	Part Number	Description	Quantity Per	
				Package	Assembly
1		SP1582961	Basket, Grey	1	1
2		SP1582962	Basket, Red	1	1
3		1512912	Cane Holder	1	1
4		1522062	Backrest	1	1
5		SP1551654	Padding, Backrest	1	1
6		1546264	Tray	1	1
7		SP1571260	Brake, Slow Down (Pair)	1	1
8		SP1580723	Grip, Transverse, Complete (JAZZLOW) - Left	1	1
9		SP1580725	Grip, Transverse, Complete (JAZZLOW) - Right	1	1
10		SP1580724	Grip, Transverse, Complete (JAZZSTD) - Left	1	1
11		SP1580726	Grip, Transverse, Complete (JAZZSTD) - Right	1	1
12		SP1580903	Holder, Oxygen Tank, Complete	1	1
13		SP1582014	Brake, One Hand, Complete (JAZZLOW) - Left	1	1
14		SP1582046	Brake, One Hand, Complete (JAZZLOW) - Right	1	1
15		SP1582047	Brake, One Hand, Complete (JAZZSTD) - Left	1	1
16		SP1582048	Brake, One Hand, Complete (JAZZSTD) - Right	1	1
17		SP1581935	Handle, HP - Left w/ One Hand Brake (JAZZLOW) - Right	1	1
18		SP1581965	Handle, HP - Right w/ One Hand Brake (JAZZLOW) - Left	1	1
19		SP1581966	Handle, HP - Left w/ One Hand Brake (JAZZSTD) - Right	1	1
20		SP1582013	Handle, HP - Right w/ One Hand Brake (JAZZSTD) - Left	1	1
21		FA1580881	Bracket, Rebuild, Complete	1	1
22		SP1580895	Holder, IV, Complete	1	1

Legacy Rollator



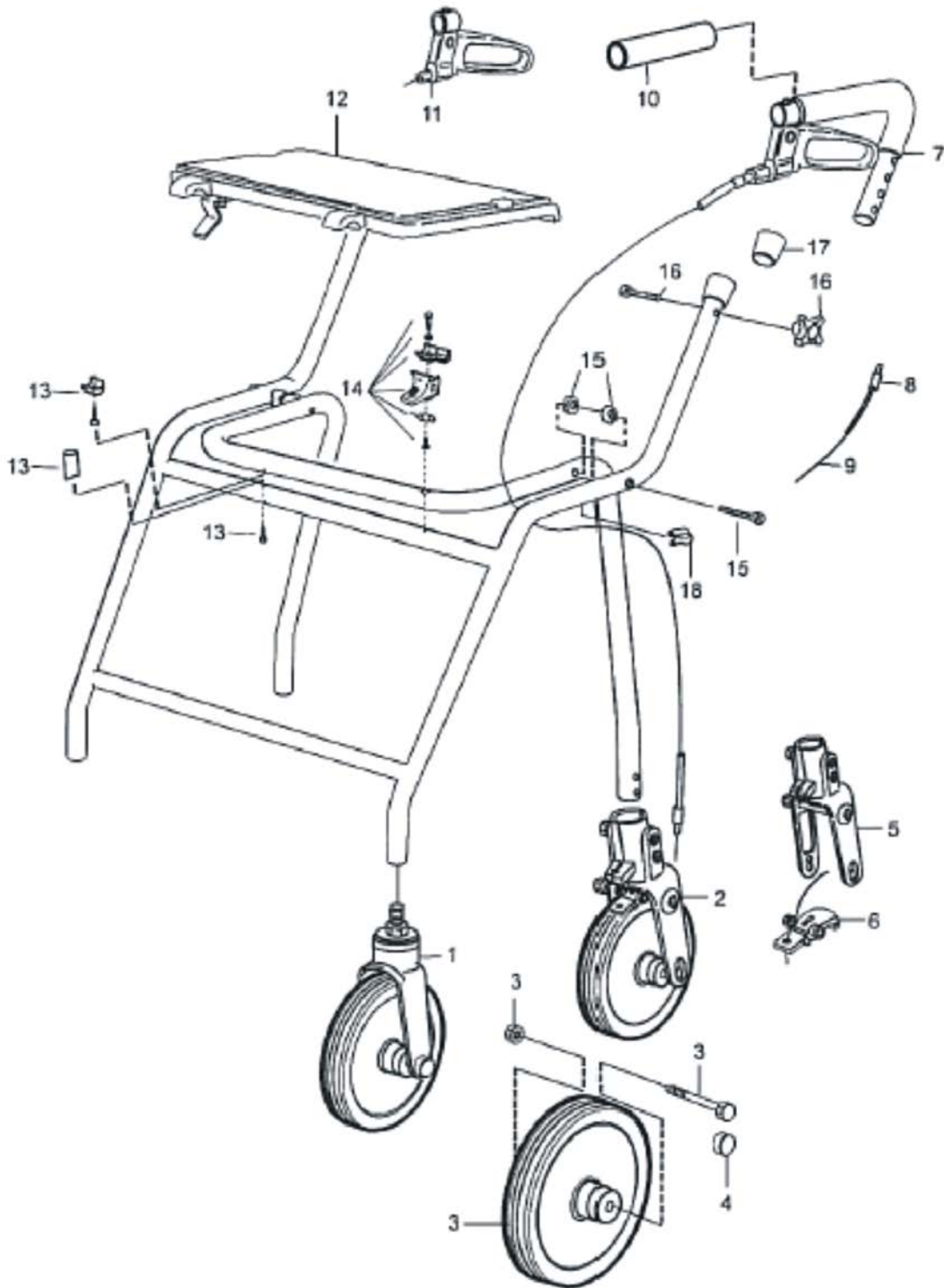
Legacy Rollator

Item Number	Note	Part Number	Description	Quantity Per	
				Package	Assembly
1	A	13565-V01	Wheel Assembly w/ Fork, SL II - Front	1	2
1	B	13565-25-V01	Wheel Assembly, Grey w/ Fork, SL II - Front	1	2
2	A	1534944	Wheel Assembly, DABSII with Fork, Rear	1	2
2	B	12594	Wheel Assembly with Plastic Fork SLII - Rear	1	2
3		12609	Wheel with Hardware, Grey, SLII - Front	1	2
4		70050	Cap, Black Plastic - Front Fork	1	2
4		1452282	Cap, Black, Plastic - Front Fork (20 pack)	20	1
5		12509	Grip Anatomic with Cover (Pair)	1	1
6		12677	Grip, Soft (220mm) (Pair)	1	1
6		70057	Grip, Soft	1	2
7a		13309	Kit, Handle DABS - Left	1	1
7a		13308	Kit, Handle DABS - Right	1	1
7b		13464-L	Brake Handle Assembly - Left	1	1
7b		13464-R	Brake Handle Assembly - Right	1	1
8		12545	Seat Assembly with Hardware, Flip-up	1	1
9		12665	Adjustment Knob and Screw (Pair)	1	1
9		1452459	Package, Adjustment Knob and Screw	10	1
10	C	12656	Lock, Folding	1	1
10	C	1452288	Package, Lock, Folding	10	1
11		12622	Kit, Folding Handle	1	1
		72025	Spring, Torsion Handle	1	1
11	D	1510376	Kit, Folding Handle	1	1
12		80068	Wire	1	2
12		1452283	Package, wire	10	1
13		1529908	Package, Cover, Wire (740mm)	10	1
14		1529879	Package, Cover, Wire (900mm)	10	1
15		1529860	Package, End Cap	20	1
16		72091	Shoe, Brake	1	2
17	A	12620	Brake Flap Assembly, DABSII	1	2
17	B	12617	Brake Flap Assembly, DABS	1	2
18		1542524	Package, Screw, Adjustment w /Nut	10	1
19		72025	Spring, Torsion Handle	1	1
19		1529858	Package, Spring, Torsion Handle	10	1
20		12627-NLA	NLA - Folding Hinge Assembly (Pair)	1	1
		70179	Spacer, Tube	1	2
		13337-16	Stopper, Seat	1	2
21		70125-25	Rail	1	1
22	E	12510	Backrest with Screws and Attachment Pieces	1	1
23		70105	Brackets, Straight	1	2
24		12530-15	Basket, Standard / Low	1	1
24		12538-15	Basket, Super Low	1	1
25		70029	Cap, End	1	2

Legacy Rollator

NOTE: A - Used after March 3, 2010.
B - Used before March 2, 2010.
C - Used on Models built between 2000 & 2004.
D - Includes part number 70125-25 and 12622.
E - Includes (2) of part number 70105.

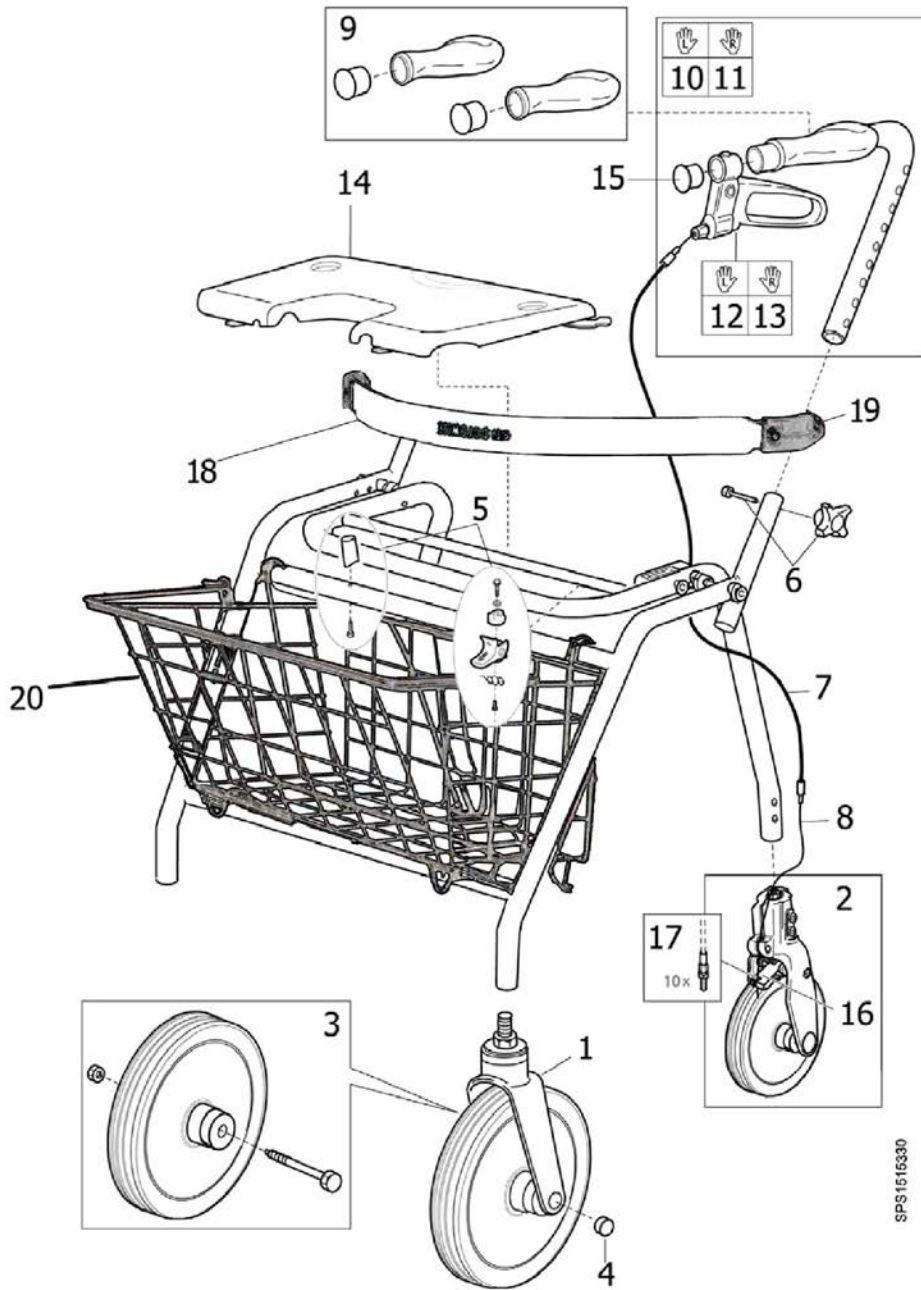
Legacy Lite Deluxe Rollator



Legacy Lite Deluxe Rollator

Item Number	Note	Part Number	Description	Quantity Per	
				Package	Assembly
1		1451969	SL III Wheel Complete in Front Fork (pcs)	1	2
2		1451970	SL III Wheel Complete in Plastic Rear Fork (pcs)	1	2
3		1451971	SL III Wheel Kit Complete (pcs)	1	2
4		70050	Cap, Black Plastic - Front Fork	1	2
5		13093	Fork, Plastic, Rear	1	2
6		12617	Brake Flap Assembly, DABS	1	2
7		13066	Handle Kit, DABS - Left (Including Grip and Wire)	1	1
7		13067	Handle Kit, DABS - Right (Including Grip and Wire)	1	1
8		80016	Cover, Wire - L=900mm (600, 520) (pcs)	1	2
		80067	Cover, Wire - L=740 mm (450) (pcs)	1	2
9		80060	Wire (1000mm)	1	2
10		12677	Grip, Soft (220mm) (Pair)	2	1
11		13464-L	Brake Handle Assembly - Left	1	1
		13464-R	Brake Handle Assembly - Right	1	1
12		1451975	Flip-Up Seat, Complete with Attachment Parts	1	1
13		1451976	Spacer, Crossbar	1	1
14		1451973	Kit, Folding	1	1
15		1451972	Kit, Folding Hinge	2	1
16		12665	Adjustment Knob and Screw (Pair)	2	1
17		70029	Cap, End	1	2
18		70043	Cable Holder (pcs)	1	2
		12510	Backrest with Screws and Attachment Pieces	1	1
		70105	Brackets, Straight	1	2

Maxi+ Rollator



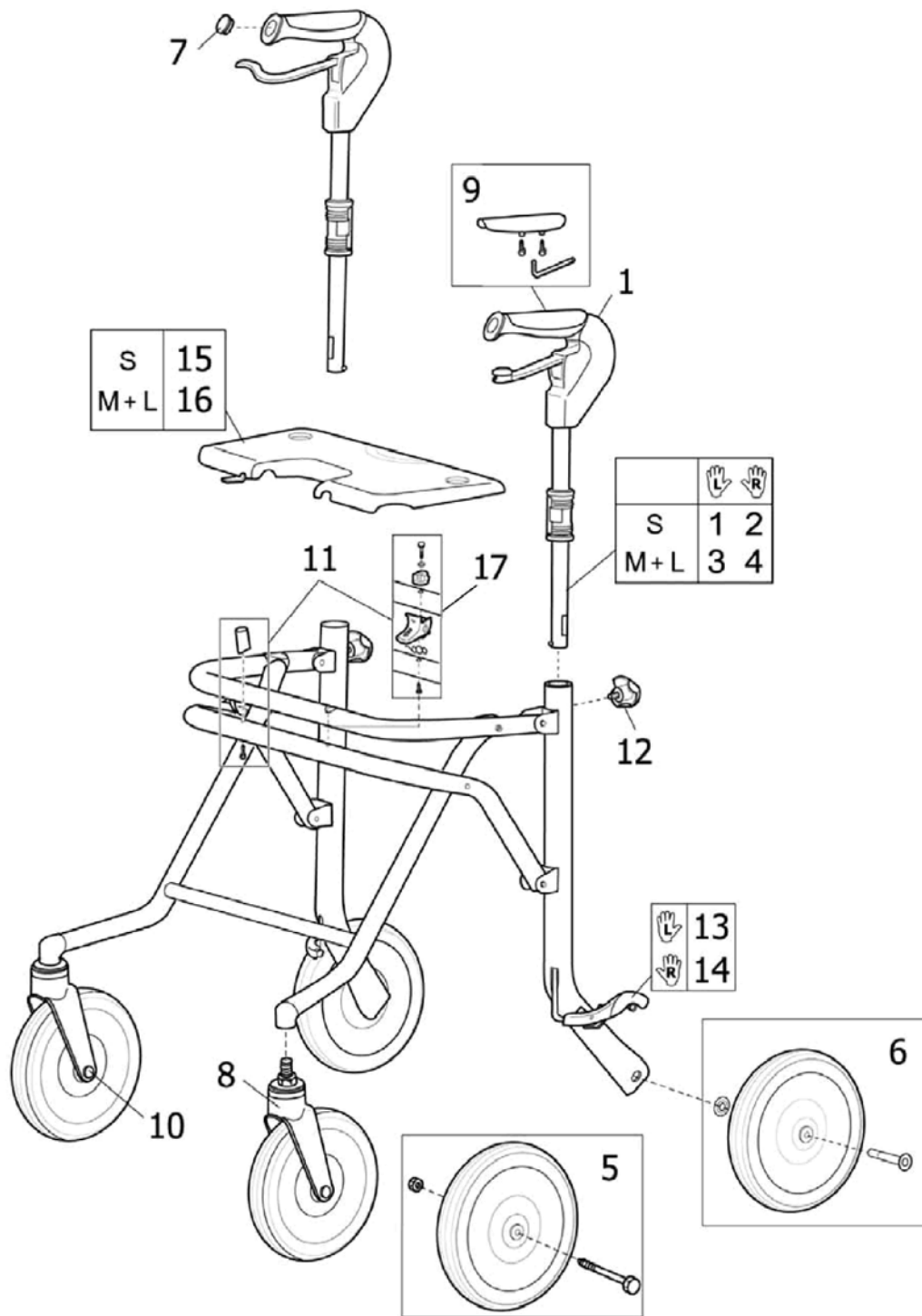
SPS1515330

Maxi+ Rollator

Item Number	Note	Part Number	Description	Quantity Per	
				Package	Assembly
1	A	13565-25-V01	Wheel Assembly, Grey w/ Fork, SL II - Front	1	2
2		12590-25	Wheel Assembly with Fork, Grey, SL II - Rear	1	2
3		12609	Wheel with Hardware, Grey, SLII - Front	1	2
4		70050	Cap, Black Plastic - Front Fork	1	2
4		1452282	Cap, Black, Plastic - Front Fork (20 pack)	20	1
5		1452464	Kit, Distance and Folding Lock	5	1
6		1452458	Package, Knob and Screw, Height Adjustment	10	1
7		80060	Wire (1000mm)	1	2
8		80094	Cover, Wire (820mm)	1	2
8		1531587	Package, Cover, Wire (820mm)	10	1
9		12509	Grip Anatomic with Cover (Pair)	1	1
10		13238-L	Handle, Left Anatomic with Brake	1	1
11		13238-R	Handle, Right Anatomic with Brake	1	1
12		13464-L	Brake Handle Assembly - Left	1	1
13		13464-R	Brake Handle Assembly - Right	1	1
14		12721-M	Kit, Seat	1	1
15		1529860	Package, End Cap	20	1
16		12620	Brake Flap Assembly, DABSII	1	2
17		1542524	Package, Screw, Adjustment w /Nut	10	1
18	B	12510	Backrest with Screws and Attachment Pieces	1	1
19		70105	Brackets, Straight	1	2
20		12530-15	Basket, Standard / Low	1	1

NOTE: A - Includes Fork, Wheel with Bearing, Washer, Nuts, Bolt and Black Cap.
 B - Includes (2) of part number 70105.

Melody Rollator

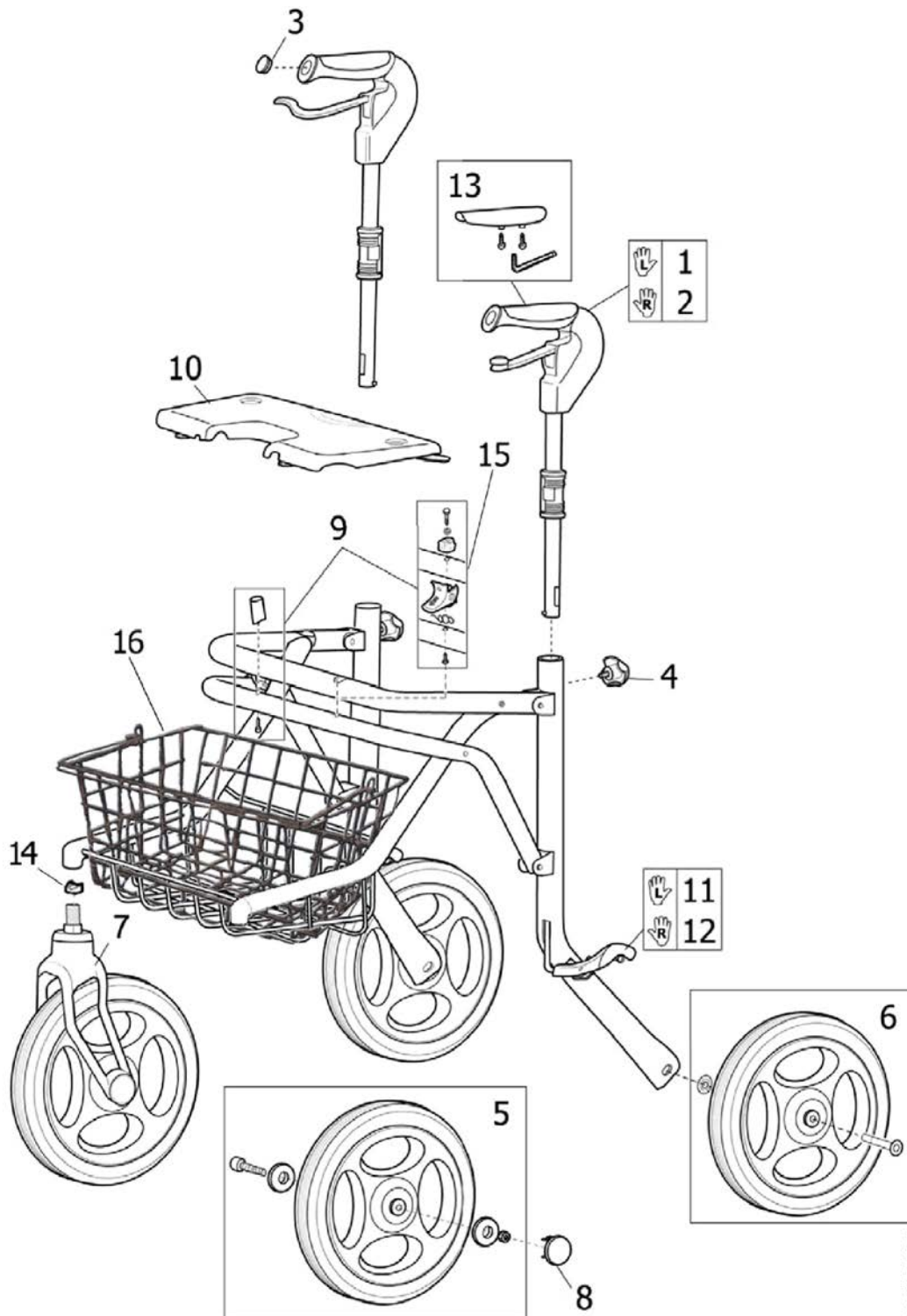


Melody Rollator

Item Number	Note	Part Number	Description	Quantity Per	
				Package	Assembly
1	A	12703-L	Brake Handle with Hardware, Small - Left	1	1
2	A	12703-R	Brake Handle with Hardware, Small - Right	1	1
3	A	12702-L	Brake Handle with Hardware, Medium, Large - Left	1	1
4	A	12702-R	Brake Handle with Hardware, Medium, Large - Right	1	1
5		12609	Wheel with Hardware, Grey, SLII - Front	1	2
6		12700	Wheel with Hardware, SLII - Rear	1	2
6		1510552	Wheel with Hardware, SLII - Rear	1	2
7		70073	Plug Button, Handle	1	2
8		13565-V01	Wheel Assembly w/ Fork, SL II - Front	1	2
9		12706	Grip Surface with Screw and Key	1	2
9		1452460	Package, Grip Surface with Screw and Key	10	1
10		70050	Cap, Black Plastic - Front Fork	1	2
10		1452282	Cap, Black, Plastic - Front Fork (20 pack)	10	1
11	B	1452464	Kit, Distance and Folding Lock	5	1
12		1452462	Package, Adjustment Knob w/ Washer	10	2
13		12705-L	Brake Stopper with Attachments - Left	1	1
14		12705-R	Brake Stopper with Attachments - Right	1	1
15		12713	Kit, Seat (S)	1	1
16		12712	Kit, Seat (L/M)	1	1
17		12707	Kit, Folding Lock	1	1
	C	12540	Basket, Standard / Low	1	1
	C	12542	Basket, Super Low	1	1

NOTE: A - Includes Handle Assembly, Adjustment Knob, Nut and Washer.
 B - Includes part number 12707.
 C - Not shown.

Soprano Rollator



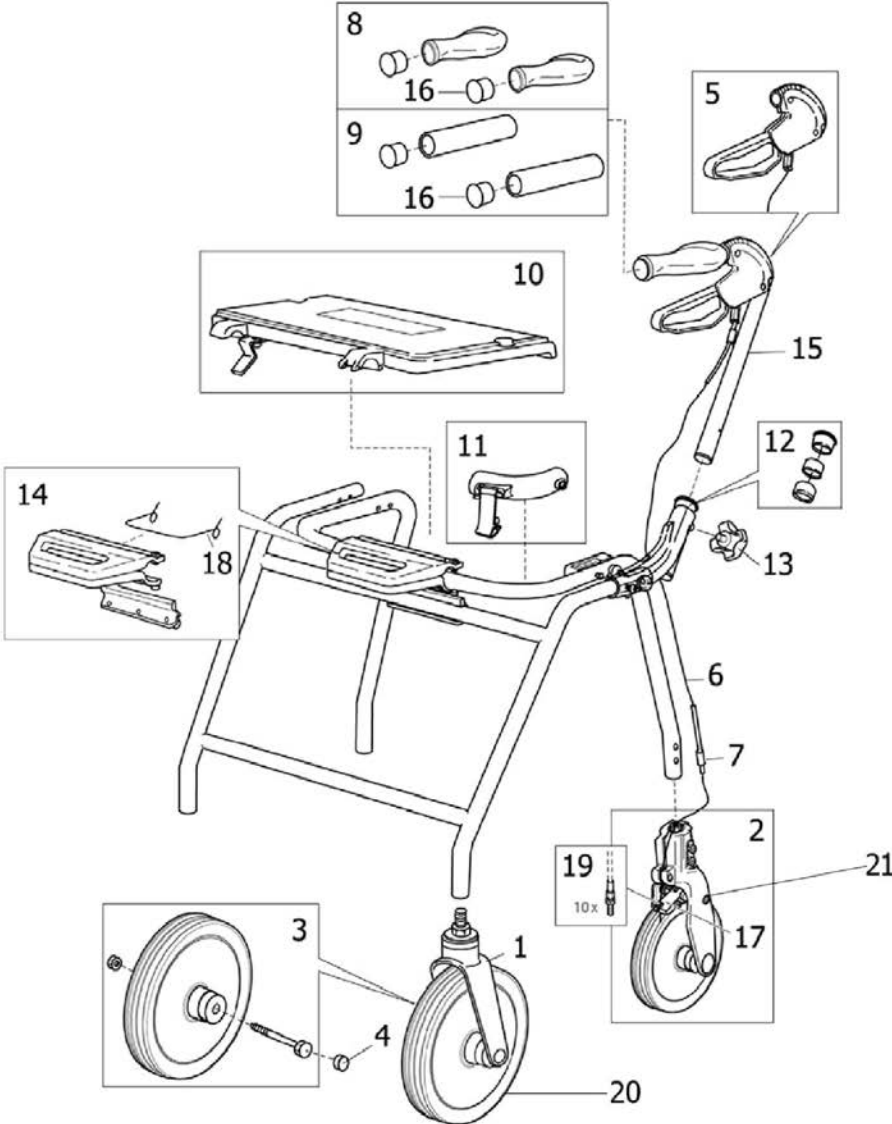
SPS1515262

Soprano Rollator

Item Number	Note	Part Number	Description	Quantity Per	
				Package	Assembly
1	A	12702-R	Brake Handle with Hardware, Medium, Large - Right	1	1
2	A	12702-L	Brake Handle with Hardware, Medium, Large - Left	1	1
3		70073	Plug Button, Handle	1	2
4		1452462	Package, Adjustment Knob w/ Washer	10	2
5		12717	Wheel Assembly with Hardware SLIV - Front (260mm)	1	2
6		1510546	Wheel Assembly with Hardware SLIV - Rear (260mm)	1	2
7		12719	Wheel Assembly with Fork (260mm) - Front	1	2
8		1452463	Package, Cover	20	1
9	B	1452464	Kit, Distance and Folding Lock	5	1
10		12721	Kit, Seat Assembly	1	1
11		12705-R	Brake Stopper with Attachments - Right	1	1
12		12705-L	Brake Stopper with Attachments - Left	1	1
13		1452460	Package, Grip Surface with Screw and Key	10	1
13		12706	Grip Surface with Screw and Key	1	2
14		70172	Washer, Steel - Front Fork	1	2
15		12707	Kit, Folding Lock	1	1
16		12541D	Basket	1	1

NOTE: A - Includes Brake Handle, Adjustment Knob and Washer.
 B - Includes part number 12707.

Symphony Rollator



Symphony Rollator

Item Number	Note	Part Number	Description	Quantity Per	
				Package	Assembly
1		13565-25-V01	Wheel Assembly, Grey w/ Fork, SL II - Front	1	2
		70047	Washer, Friction	1	1
		70137	Bushing, Wheel	1	2
		62005DOL	Bolt, Stem (1/4 x 3/16")	1	1
2	A,B	12590-25	Wheel Assembly with Fork, Grey, SL II - Rear	1	2
2	D	12594	Wheel Assembly with Plastic Fork SLII - Rear	1	2
3		12609	Wheel with Hardware, Grey, SLII - Front	1	2
4		70050	Cap, Black Plastic - Front Fork	1	2
4		1452282	Cap, Black, Plastic - Front Fork (20 pack)	20	1
5		12619-L	Kit, Brake Handle - Left	1	1
5		12619-R	Kit, Brake Handle - Right	1	1
6		80068	Wire	1	2
		1452283	Package, wire	10	1
7		80090	Wire Cover (630mm)	1	2
		1529918	Package, Wire Cover (630MM)	10	1
7		80089	Wire Cover (550mm)	1	2
		1529917	Package, Wire Cover (550MM)	10	1
7		80088	Wire Cover (500mm)	1	2
		1529910	Package, Wire Cover (500MM)	10	1
8		12519	Grip, Anatomical (Pair)	1	1
9		12593	Grip, Soft (Pair)	1	1
10		12545	Seat Assembly with Hardware, Flip-up	1	1
11		12656	Lock, Folding	1	1
11		1452288	Package, Lock, Folding	10	1
12		12687	Hinge Component Assembly (Pair)	2	1
13		70253	Knob, Adjustable	1	2
13		1452289	Package, Knob, Adjustable	10	1
14		1510376	Kit, Folding Handle	1	1
15		13509-L	Kit, Handle DABSII - Left	1	1
15		13509-R	Kit, Handle DABSII - Right	1	1
16		1529859	End Cap	20	1
17	B,C	12620	Brake Flap Assembly, DABSII	1	2
17	D	12617	Brake Flap Assembly, DABS	1	2
18		72025	Spring, Torsion Handle	1	1
18		1529858	Package, Spring, Torsion Handle	10	1
19		1542524	Package, Screw, Adjustment w /Nut	10	1
20		13511-NLA	NLA - Wheel Complete - Front	1	2
21		13093	Fork, Plastic, Rear	1	2
	E	12530-15	Basket, Standard / Low	1	1
	E	12538-15	Basket, Super Low	1	1

NOTE: A - Includes part number 13093, Brake Handle, Adjustment Knob and Washer.
 B - Used after March 3, 2010.
 C - Includes part number 12707.
 D - Used before February 3, 2010.
 E - Not Shown.

Invacare Corporation

www.invacare.ca



Yes, you can.

570 Matheson Blvd E;8
Mississauga, Ontario,
L4Z 4G4 Canada
800-668-5324

Technical Support
8006685324 x2655
Customer Service
800-668-5324

Literature
800-668-5324
or www.invacare.ca

© 2020 Invacare Corporation. All rights reserved. Republication, duplication or modification in whole or in part is prohibited without prior written permission from Invacare. Trademarks are identified by ™ and ©. All trademarks are owned by or licensed to Invacare Corporation or its subsidiaries unless otherwise noted. (Revised 04/14/20)

Form No. 06-103C