

Holt

Door and bathroom accessories
crafted from sustainable oak.



Holt

During many travels across Northern Europe, architect Alex Mowat observed the Nordic tradition of using timber for many everyday items. Inspired by the beautiful aesthetic that developed the more the item was used, Alex set about designing a range of items that could be applied in commercial environments.

The result is the Holt range of door and bathroom accessories.

Time has been taken to form an array of items utilising an elegant super circular shape. The resulting designs provide the optimum grip for comfortable use by the elderly and arthritic. This same shape is utilised throughout the range providing a consistent visual language and interest for the eye.

Welcoming to the touch, the use of oak in the Holt range provides natural charm and a warm aesthetic. Not only does the material encourage the user to feel the items, but it also provides a more sustainable alternative to standard stainless steel products. Timber is hand-selected from FSC accredited sources to ensure that only the finest, most sustainable oak is used.

Manufactured in the UK by the most skilled of craftsman, the Holt range is designed to last. High performance stainless steel fixings are inserted into the oak to provide the strength and durability that is required. Finished by hand with the application of the finest matt lacquer, the Holt range provides a fresh aesthetic that is easy to maintain.







Holt L shape lever handles

Description

Holt oak L shape lever handles on satin stainless steel Quadaxial roses.

Performance

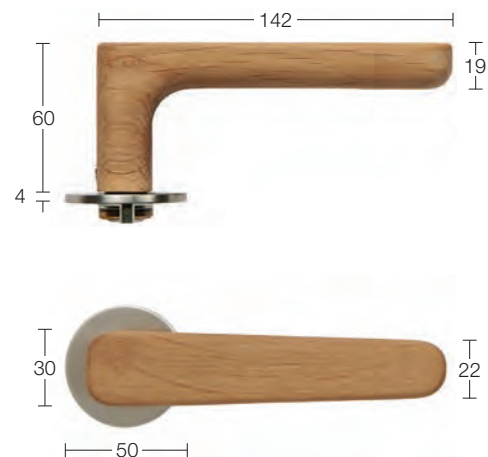
- Suitable for interior applications (Also available for external applications on request).
- Unifying super circular design for comfortable use by the elderly and arthritic.
- Warm to the touch.
- Lacquered finish that is easy to clean and maintain.
- Concealed fixings.
- 10% lower embodied energy than comparable stainless steel products.

Production and Materials

The Holt L shape lever handle is crafted in the UK from FSC sourced English Oak and then precision finished with 5% matt interior lacquer. Durable steel components are inserted into the lever handle and then secured to the Quadaxial fixing rose manufactured from Grade 316 satin stainless steel.

Reference Code

HO3801 Pair of Holt L shape lever handles.







Holt U shape lever handles

Description

Holt oak U shape lever handles on satin stainless steel Quadaxial roses.

Performance

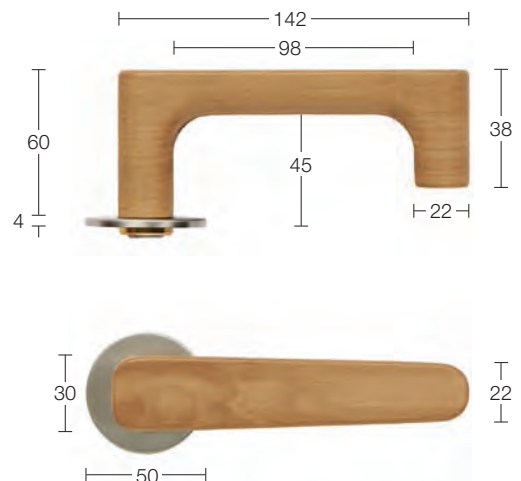
- Suitable for interior applications (Also available for external applications on request).
- Unifying super circular design for comfortable use by the elderly and arthritic.
- Warm to the touch.
- Lacquered finish that is easy to clean and maintain.
- Concealed fixings.
- In accordance with the recommendations of BS 8300 and Approved Document M.
- 10% lower embodied energy than comparable stainless steel products.

Production and Materials

The Holt U shape lever handle is crafted in the UK from FSC accredited oak and then precision finished with 5% matt interior lacquer. Durable steel components are inserted into the lever handle and then secured to the Quadaxial fixing rose manufactured from Grade 316 satin stainless steel.

Reference Code

HO3802 Pair of Holt U shape lever handles.



Holt Pull handles

Description

Holt oak pull handles.

Performance

- Suitable for interior applications
(Also available for external applications on request).
- Unifying super circular design for comfortable use by the elderly and arthritic.
- Warm to the touch.
- Lacquered finish that is easy to clean and maintain.
- Concealed fixings.
- In accordance with the recommendations of BS 8300 and Approved Document M.
- Between 29 and 56% lower embodied energy than comparable stainless steel products (dependent on length).

Production and Materials

The Holt pull handle is crafted in the UK from FSC accredited oak and then precision finished with 5% matt interior lacquer. Durable steel components are inserted into the pull handle to provide the base strength for all fixings.

Reference Code

The Holt pull handles are available in 5 different lengths and 3 different fixing types. To specify, please select one of the reference codes below and add one of the following suffixes for the fixing option you require (BT – Bolt through, SF – Secret face fixing, BB – Pair, back-to-back):

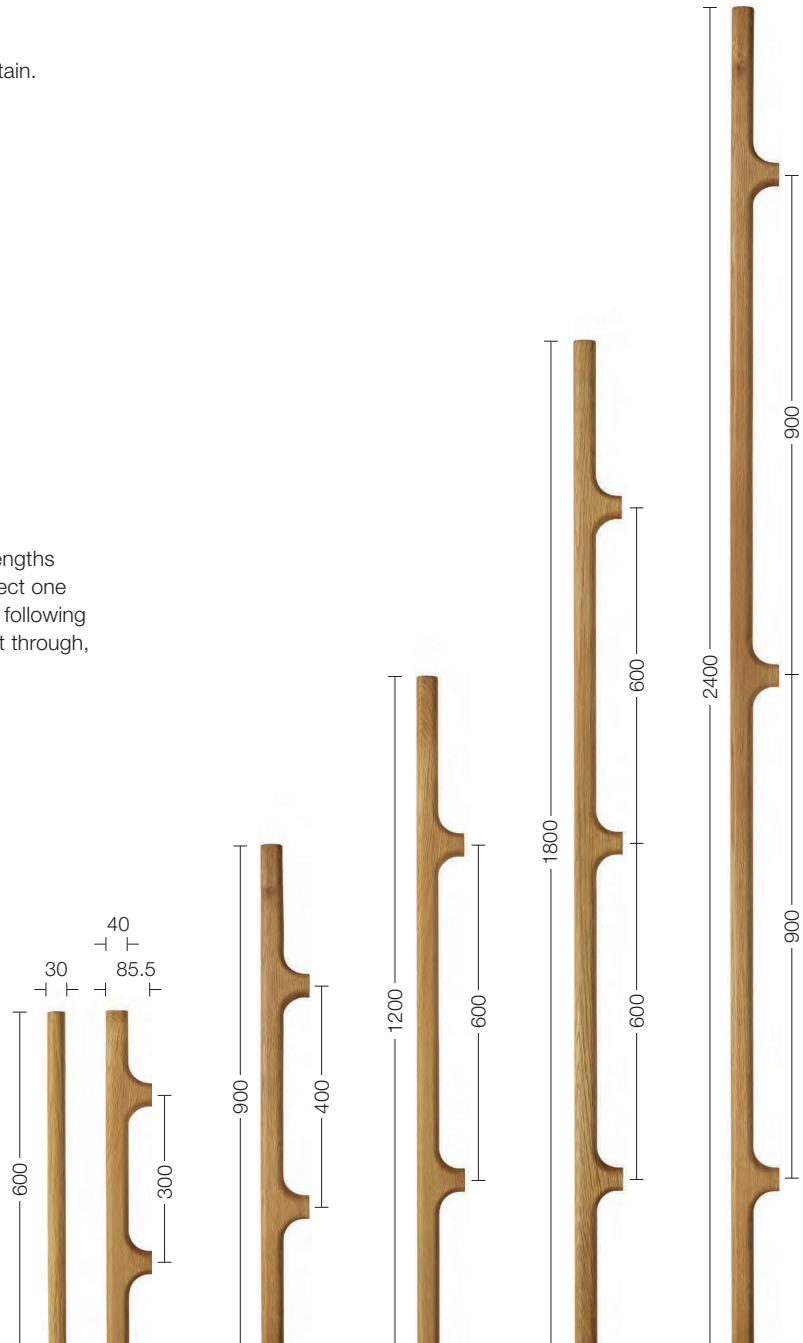
HO6531 Holt pull handle, 600mm long.

HO6532 Holt pull handle, 900mm long.

HO6533 Holt pull handle, 1200mm long.

HO6534 Holt pull handle, 1800mm long.

HO6535 Holt pull handle, 2400mm long.







Holt Cabinet handles

Description

Holt oak cabinet handles.

Performance

- Suitable for interior applications
(Also available for external applications on request).
- Unifying super circular design with sculptured grip underneath.
- Warm to the touch.
- Lacquered finish that is easy to clean and maintain.
- Bolt through fixings.
- Between 35% and 62% lower embodied energy than comparable stainless steel products (dependent on length).

Production and Materials

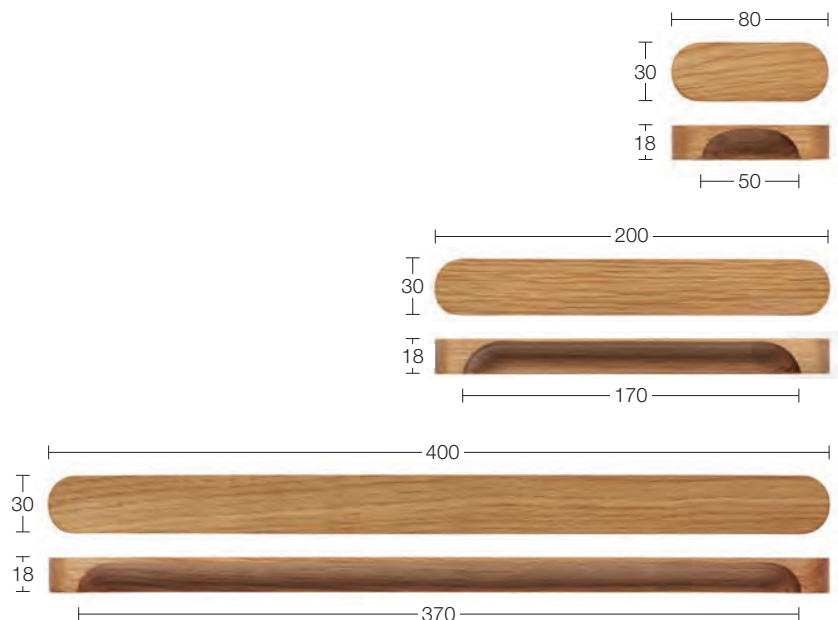
The Holt cabinet handle is crafted in the UK from FSC accredited oak and then precision finished with 5% matt interior lacquer. Durable steel components are inserted into the cabinet handles to provide the base strength for the bolt through fixings.

Reference Code

HO2581 Holt cabinet handle
80mm long with bolt through fixings.

HO2582 Holt cabinet handle
200mm long with bolt through fixings.

HO2583 Holt cabinet handle
400mm long with bolt through fixings.



Holt Coat hook

Description

Holt oak coat hook.

Performance

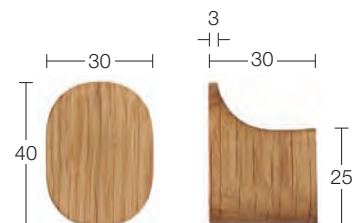
- Suitable for interior applications
(Also available for external applications on request).
- Unifying super circular design with sculptured hook profile.
- Lacquered finish that is easy to clean and maintain.
- Secret face fixing.
- 63% lower embodied energy than comparable stainless steel products.

Production and Materials

The Holt coat hook is crafted in the UK from FSC accredited oak and then precision finished with 5% matt interior lacquer. Durable steel components are inserted into the coat hook to provide the base strength for the secret face fixing.

Reference Code

HO2870 Holt coat hook with secret face fixing.







Holt Signage

Description

Holt oak signage.

Performance

- Suitable for interior applications (Also available for external applications on request).
- Lacquered finish that is easy to clean and maintain.
- Concealed self-adhesive fixing.
- Fire door signage adheres to BS 5499-1:2002.
- 9% lower embodied energy than comparable stainless steel products.

Production and Materials

The Holt pictogram signage is crafted in the UK from FSC accredited oak and then precision finished with 5% matt interior lacquer. The pictogram artwork is screen printed upon the signage disc and double sided self-adhesive tape is applied to the reverse ready for installation.

Reference Code

HO8832 Holt 'male' pictogram signage disc with self-adhesive fixing.

HO8833 Holt 'female' pictogram signage disc with self-adhesive fixing.

HO8834 Holt 'disabled' pictogram signage disc with self-adhesive fixing.

HO8835 Holt 'unisex' pictogram signage disc with self-adhesive fixing.

HO8857 Holt 'baby change' pictogram signage disc with self-adhesive fixing.

HO8847 Holt 'automatic fire door keep clear' signage disc with self-adhesive fixing.

HO8848 Holt 'fire door keep locked' signage disc with self-adhesive fixing.

HO8849 Holt 'fire door keep shut' signage disc with self-adhesive fixing.

2 $\frac{1}{8}$ |----- 76 -----|



Holt Door numerals

Description

Holt oak door numerals.

Performance

- Suitable for interior and exterior applications.
- Chamfered design allows precipitation to drain away.
- Exterior lacquered finish that is easy to clean and maintain.
- Secret face fixings create a shadow gap detail.
- 9% lower embodied energy than comparable stainless steel products.

Production and Materials

The Holt numerals are crafted in the UK from FSC accredited oak and dark grey valchromat then precision finished with 15% matt exterior lacquer. Durable steel components are inserted into the numerals to provide the base strength for the secret face fixings.

Reference Code

HO2850 Holt '0' numeral with secret face fixing.

HO2851 Holt '1' numeral with secret face fixing.

HO2852 Holt '2' numeral with secret face fixing.

HO2853 Holt '3' numeral with secret face fixing.

HO2854 Holt '4' numeral with secret face fixing.

HO2855 Holt '5' numeral with secret face fixing.

HO2856 Holt '6' numeral with secret face fixing.

HO2857 Holt '7' numeral with secret face fixing.

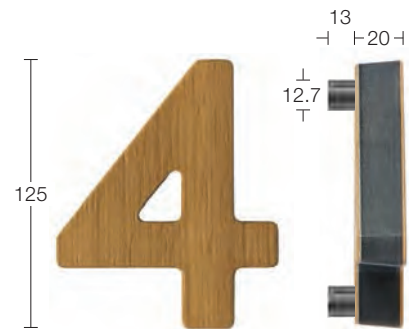
HO2858 Holt '8' numeral with secret face fixing.

HO2859 Holt '9' numeral with secret face fixing.

HO2850A Holt 'a' letter with secret face fixing.

HO2850B Holt 'b' letter with secret face fixing.

HO2850C Holt 'c' letter with secret face fixing.









Holt Toilet roll holders

Description

Holt oak toilet roll holders with satin stainless steel effect rail.

Performance

- Suitable for interior applications.
- Unifying super circular design fixing bracket.
- Lacquered finish that is easy to clean and maintain.
- Secret face fixings.
- Between 13% and 21% lower embodied energy than comparable stainless steel products (dependent on length).

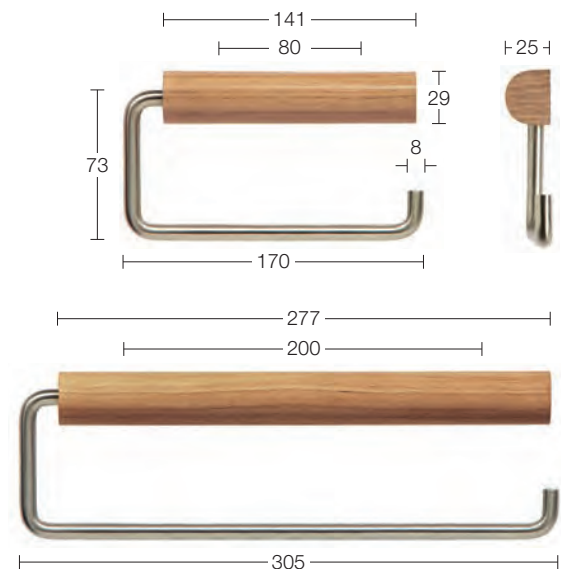
Production and Materials

The Holt toilet roll wall brackets are crafted in the UK from FSC accredited oak and then precision finished with 5% matt interior lacquer. Durable steel components are inserted into the oak bracket to provide the base strength for the secret face fixings. A reversible aluminium rail with stainless steel finish is then attached to the bracket to hold the toilet roll.

Reference Code

HO2831 Holt single toilet roll holder with secret face fixings.

HO2832 Holt double toilet roll holder with secret face fixings.







Holt Toilet brush holder

Description

Holt oak toilet brush holder with satin stainless steel handle, lid and wall fixing bracket.

Performance

- Suitable for interior applications.
- Lacquered finish and removable black plastic liner that is easy to clean and maintain.
- Wall mounted to allow for simple floor cleaning.
- Secret face fixings create a shadow gap detail.

Production and Materials

The Holt toilet brush holder is crafted in the UK from FSC accredited oak and then precision finished with 5% matt interior lacquer. A durable steel fixing bracket is secured to the oak holder and a black plastic liner is placed within the holder. Finally, a brush with satin stainless steel lid and handle is placed within the holder.

Reference Code

HO2845 Holt toilet brush holder with secret face fixings.



Holt WC turns

Description

Holt oak WC turn on satin stainless steel rose, complete with emergency release indicator rose.

Performance

- Suitable for interior applications.
- Unifying super circular design for comfortable of use by the elderly and arthritic.
- Warm to the touch.
- Lacquered finish that is easy to clean and maintain.
- Concealed fixings.

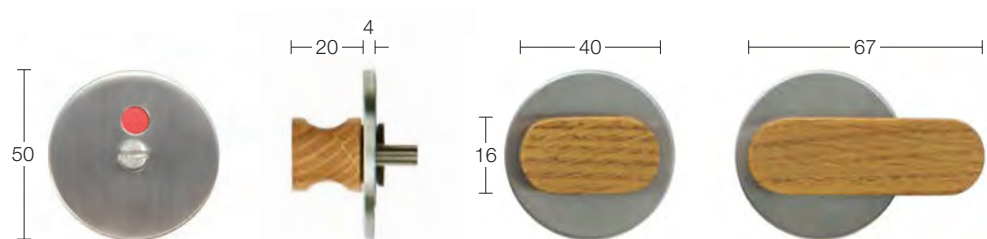
Production and Materials

The Holt WC turn is crafted in the UK from FSC accredited oak and then precision finished with 5% matt interior lacquer. Durable steel components are inserted into the turn and then secured to the satin stainless steel fixing rose and emergency release indicator rose manufactured from Grade 316 satin stainless steel.

Reference Code

HO771Q2538 Holt WC turn with emergency release indicator.

HO771Q2539 Holt WC disabled turn with emergency release indicator.







Holt Drop down grab rail

Description

Holt oak drop down grab rail.

Performance

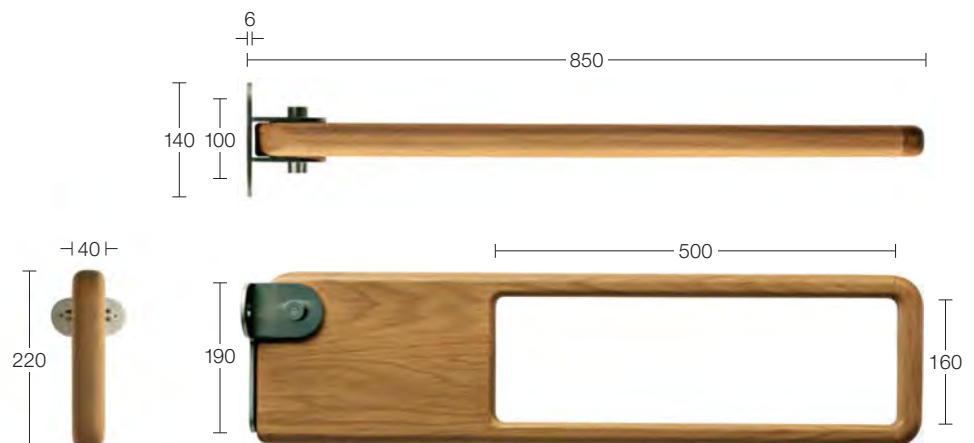
- Suitable for interior applications.
- Minimalist stainless steel fixing bracket with hold-up catch mechanism.
- Unifying super circular grip design for comfortable use by the elderly and arthritic.
- Warm to the touch.
- Lacquered finish that is easy to clean and maintain.
- In accordance with the recommendations of BS 8300 and Approved Document M.
- 64% lower embodied energy than comparable stainless steel products.

Production and Materials

The Holt drop down grab rail is crafted in the UK from FSC accredited oak and then precision finished with 5% matt interior lacquer. Durable steel components are inserted into the grab rail and then secured to the minimalist fixing bracket manufactured from Grade 316 satin stainless steel.

Reference Code

HO18000 Holt drop down grab rail.



Holt Fixed grab rail

Description

Holt oak fixed grab rail.

Performance

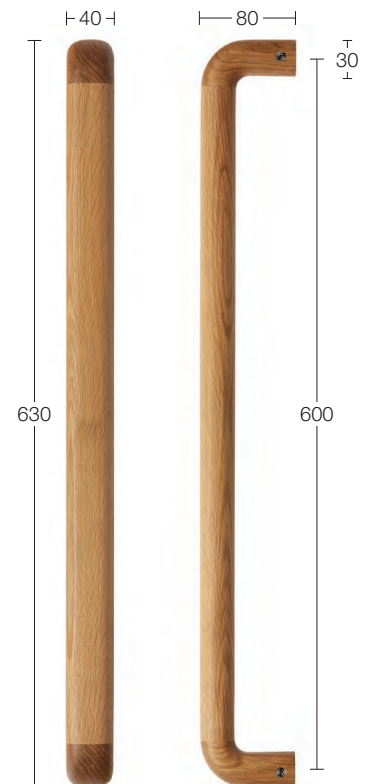
- Suitable for interior applications.
- Unifying super circular design grip for comfortable use by the elderly and arthritic.
- Warm to the touch.
- Lacquered finish that is easy to clean and maintain.
- In accordance with the recommendations of BS 8300 and Approved Document M.
- 14% lower embodied energy than comparable stainless steel products.

Production and Materials

The Holt fixed grab rail is crafted in the UK from FSC accredited oak and then precision finished with 5% matt interior lacquer. Durable steel components are inserted into the grab rail to provide the base strength for the secret face fixings.

Reference Code

HO18001 Holt fixed grab rail.







Holt Toilet backrest rail

Description

Holt oak toilet backrest rail.

Performance

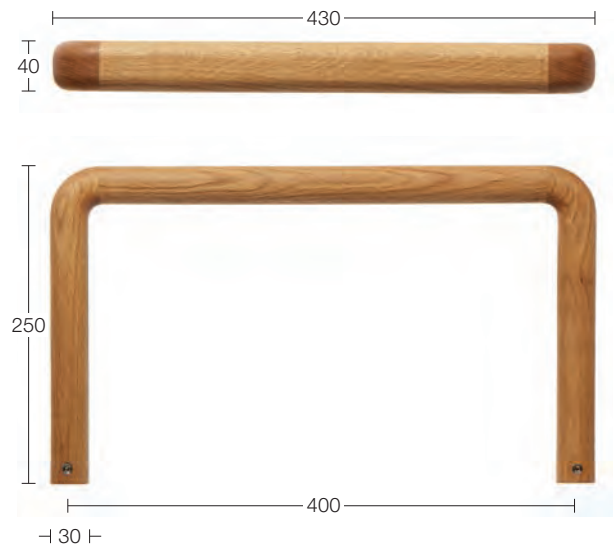
- Suitable for interior applications.
- Unifying super circular design.
- Warm to the touch.
- Lacquered finish that is easy to clean and maintain.
- In accordance with the recommendations of BS 8300 and Approved Document M.
- 16% lower embodied energy than comparable stainless steel products.

Production and Materials

The Holt toilet backrest rail is crafted in the UK from FSC accredited oak and then precision finished with 5% matt interior lacquer. Durable steel components are inserted into the backrest to provide the base strength for the secret face fixings.

Reference Code

HO18002 Holt toilet backrest rail.





Holt is designed by architect Alex Mowat. Trained at the Royal College of Art and Canterbury College of Art, Alex has led a successful, London-based architecture and design practice since 1996.



Allgood plc would like to thank
Alex Mowat, Studio Fernando Gutiérrez,
Dave Young, Ross Norgate and
Cloud 9 Digital Design for their
contributions to this brochure.

All information and details in this
brochure are correct at time of going
to press. However, Allgood plc reserves
the right to change the product
specifications without notice.

All dimensions are subject to production
tolerances of ± 1 mm.

© Allgood plc 2015



modric Inc .

North American Headquarters,
P.O.Box 1639
Arboles
Colorado 81121

t: 800-739-0202
f: 800-813-2128
info@modric.net