

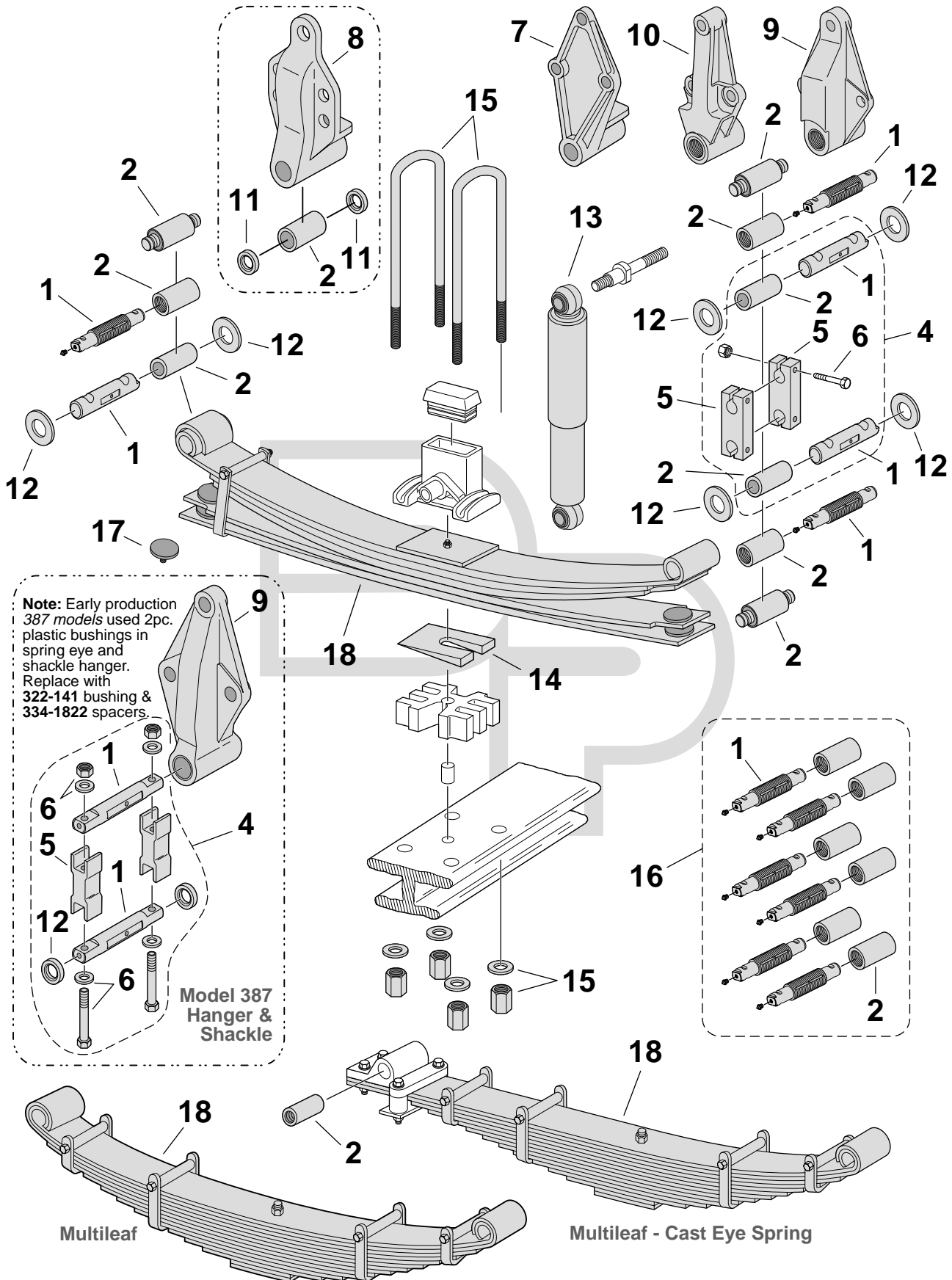
MODEL	PAGE
Conventional/Cab Over (4" Spring) Front Suspension	768, 769
Conventional/Cab Over ('65-'86) (3 1/2" Spring) Front Suspension	770, 771
Air Leaf® Single/Tandem Axle Rear Air Suspension	772, 773
Low Mount Air Leaf® (To 2003) Single/Tandem Axle Rear Air Suspension	774, 775
Air Glide® 210 Low Air "Twisted Sister" (Kenworth AG210/400L)	
Single/Tandem Axle Rear Air Suspension	776, 777
Air Trac® Single/Tandem Axle Rear Air Suspension	778, 779
Flex Air® (Kenworth AG380) Rear Air Suspension	780, 781
Quadraflex® (1992 & Up) Four Spring Tandem Suspension	782, 783
Four Spring (Early Production) Tandem Suspension	784, 785
Suspension Component Photos	786-794

**Conventional/Cab Over
(4" Spring)
Front Suspension**

Peterbilt

Peterbilt

Suspension Illustration



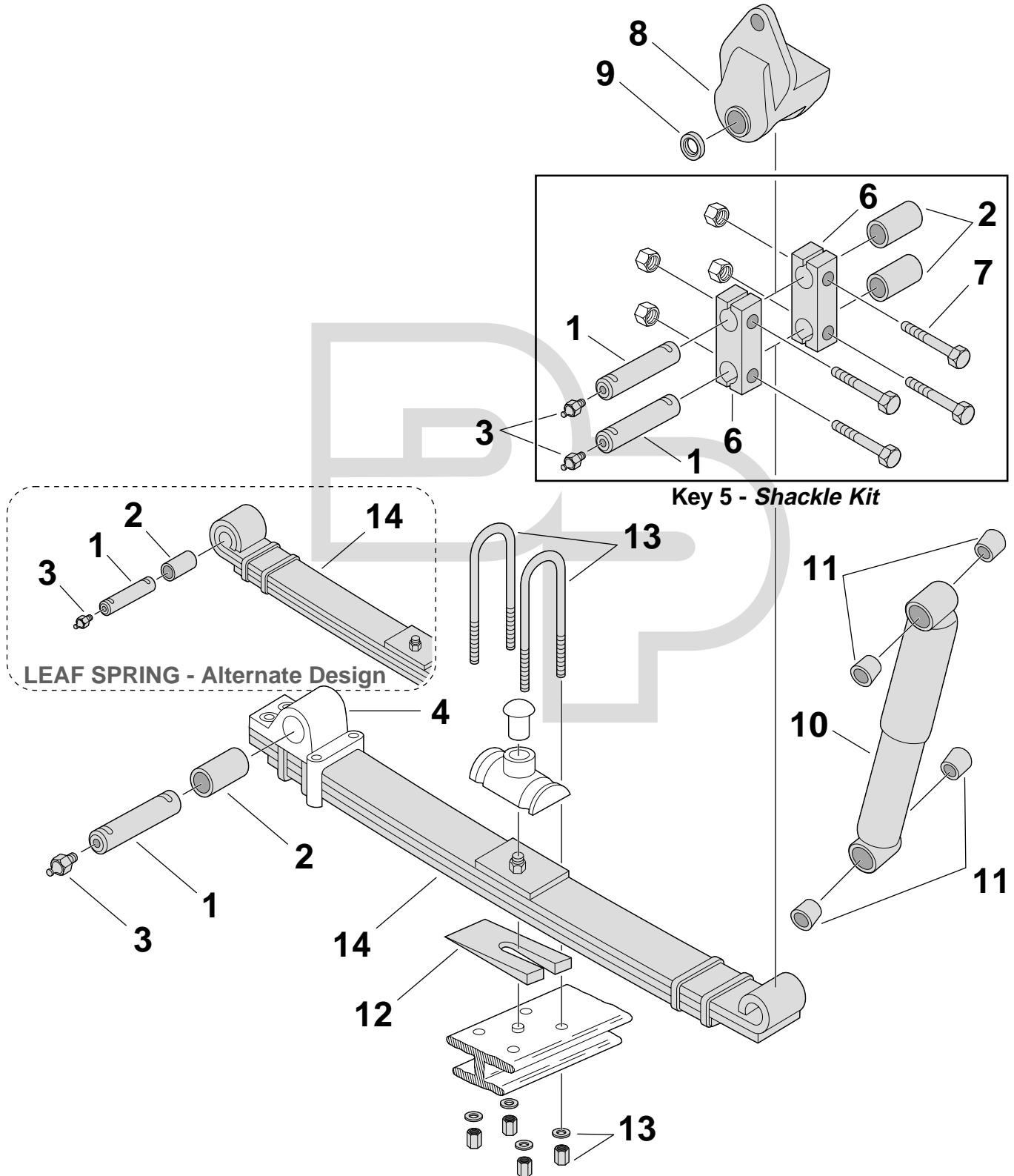
Key No.	Part Number	Description	No. Req.	OEM Reference	Remarks
✓✓●	1	327-483 Spring Pin; 1 1/4"OD x 6 7/8"Lg x 5 5/16" c/c	6	02-01781, 02-01767	Model 387 Front of Front; Model 357/379 SBA w/Cast Eye
●	327-446 Spring Pin; 1 1/4"OD x 6"Lg x 5 1/16" c/c	6	02-01561		
✓●	327-532 Spring Pin, 1 1/4"OD x 7 5/8"Lg	6	02-04024, B65-6002		
●	327-541 Spring Pin; 1 1/4"OD x 7 7/8"Lg x 5 3/4" c/c	2	02-01911		
✓✓●	327-537 Spring Pin, Threaded; Metric; 5.75 c/c	6	B65-1002		
✓✓●	327-540 Spring Pin, Threaded; Metric; 6.30 c/c	6	B65-1008		
✓✓●	327-544 Spring Pin, Threaded; Metric; 5.43 c/c	6	B65-6008		
✓✓●	2	322-141 Bushing; w/Seals	6	A16-12399-001, 02-01805	Replaces PB-18 & RNK-BM
✓	RNI-BM Bushing; 1 1/4"ID x 1 1/2"OD x 3 1/2"Lg	2		Medium duty models, 2009+	
✓	RNK-BM Bushing; 1 1/4"ID x 1 1/2"OD x 4"Lg	4/6			
✓	TB-77 Bushing, Threaded; Metric	6	B13-1000		
✓	RB-295 Bushing; 1 3/4"OD x 7 1/2"Lg x 6.3" c/c	6	B65-1006		
✓	RB-328 Bushing; 1 3/4"OD x 6 1/16"Lg x 5 7/16" c/c	6	B65-6005		
✓	RB-338 Bushing; 5/8"ID x 1 3/4"OD x 4 1/4"Lg	6	B65-6010		
✓	RB-308 Bushing; 2 1/16"OD x 7 1/2"Lg x 6.3 c/c	6	B65-1007		
✓	RB-324 Bushing; 2 1/16"OD x 6 1/16"Lg x 5 7/16" c/c	6	B65-1013, B65-6006		
✓	TB-81 Bushing, Threaded; Metric	6	B13-1002		
✓✓	3	334-475 Fitting, Straight Zerk; 1/8"-27NPT	6	1613B	
✓✓●	4	330-191 Kit, Shackle; 3 5/16" c/c	2		Incl. (2)330-186, (2)327-483, (2) RNK-BM & Hdwe. Incl. (2)330-187, (2)327-483, (2) RNK-BM & Hdwe. Incl. (2)330-116, (2)327-446, Bushings, Seals & Hdwe.; Use w/338-784 & 338-785 Hangers Only Model 387; Incl 322-141 Bushings
✓●	330-192 Kit, Shackle; 5 1/8" c/c	2			
✓	330-117 Kit, Shackle	2			
●	330-342 Kit, Shackle	2			
✓✓	5	330-186 Side Bar; 6"Lg x 3 3/16" c/c x 1 1/8"Thk, 1 1/4" Pin Holes	4	02-01784, 02-01783	1987 & Up
✓	330-187 Side Bar; 7 9/16"Lg x 5 1/8" c/c x 1 1/8"Thk, 1 1/4" Pin Holes	4	02-01747, 02-01807	1987 & Up	
	330-116 Side Bar; 5 7/8"Lg x 3 1/2" c/c x 1"Thk, 1 1/4" Pin Holes	4	02-01154	Cabover; Use w/327-446	
	330-341 Side Bar	4	02-04018	Model 387	
✓	6	334-550 Assembly, Bolt; 1/2"-20 x 3"Lg	8		Incl. 334-538 Bolt & Hdwe.
	334-1554 Assembly, Bolt; 1/2"-20 x 6 1/2"Lg	4		Model 387	
✓✓●	7	338-1230 Hanger, Shackle; 4" Wide Spring	2	02-01801M003	1987+ Conv.; >1989; Replaces 338-784 & 338-785 5/8" Bolts
✓●	338-1230A Hanger, Shackle; 4" Wide Spring	2			
●	8	338-785 Hanger, Shackle; LH	1	01-45641L	COE; Prior to 1989; 327-446 Pin
●	338-784 Hanger, Shackle; RH	1	01-45641R	COE; Prior to 1989; 327-446 Pin	
✓✓●	9	338-1898 Hanger, Shackle	2	B11-1034-2, 02-04001M002	Model 387; Incl. 322-141 Bushing
●	338-2032 Hanger, Shackle	2	B11-1034-1	PACCAR Chassis; Incl. RB-295 Bushing	
●	338-2100 Hanger, Shackle	2	B11-1031-5	PACCAR Chassis; Incl. TB-77 Bushing	
✓●	338-2101 Hanger, Shackle	2	B11-1034-6	PACCAR Chassis; Incl. RB-328 Bushing	
●	338-2102 Hanger, Shackle	2	B11-1034-7	Incl. RB-338 Bushing	
✓✓●	338-2220 Hanger, Shackle	2	02-02311M001		
●	10	338-2172-01 Hanger, Bushing; Threaded	2	B11-1039	TB-81 Threaded Bushing
●	334-540 Seal; 1 3/16"ID x 1 3/4"OD x 1/4"Thk	4	28-00118	Use w/RNI Bushed Hangers	
✓●	12	334-1822 Washer, Spacer	12	D8400-9218	Model 387
	13	M65113 Shock Absorber	2	02-01890	Consult Shock Catalog for Model Specific Applications
	M65405 Shock Absorber	2	ACHF113		
	M65101 Shock Absorber	2	02-01787		
	M65411 Shock Absorber	2	02-02142		
	M65434 Shock Absorber	2	02-02738		
	See Shocks Shock Absorber	2	Various		
	14	See Chart Wedge, Camber	AR		See Chart on Page 1091
✓	15	361-474 Kit, U-Bolt; Special Bend, Grade 8	4	02-00807-122	3/4" x 4" x 12" PR; Grade 8
●	16	339-308 Kit, Service; RB to TB Conversion	1		Replaces (6)RB-295 w/Threaded Pins & Bushings
✓●	339-309 Kit, Service; RB to TB Conversion	1		Replaces (2)RB-295 & (4)RB-328; w/Threaded Pins & Bushings	
✓●	339-310 Kit, Service; RB to TB Conversion	1		Replaces (2)RB-308 & (4)RB-324; w/Threaded Pins & Bushings	
●	339-311 Kit, Service; RB to TB Conversion	1		Replaces (6)RB-308; w/Threaded Pins & Bushings	
●	339-312 Kit, Service; RB to TB Conversion	1		Replaces (6)RB-249; w/Threaded Pins & Bushings	
✓●	17	PAD-101 Insert, Tip; Urethane	8		
	18	Spring Assembly Assembly, Spring	2		See Leaf Spring Web Catalog for Details

Conventional/Cab Over
 ('65-'86) (3 1/2" Spring)
Front Suspension

Peterbilt

Peterbilt

Suspension Illustration

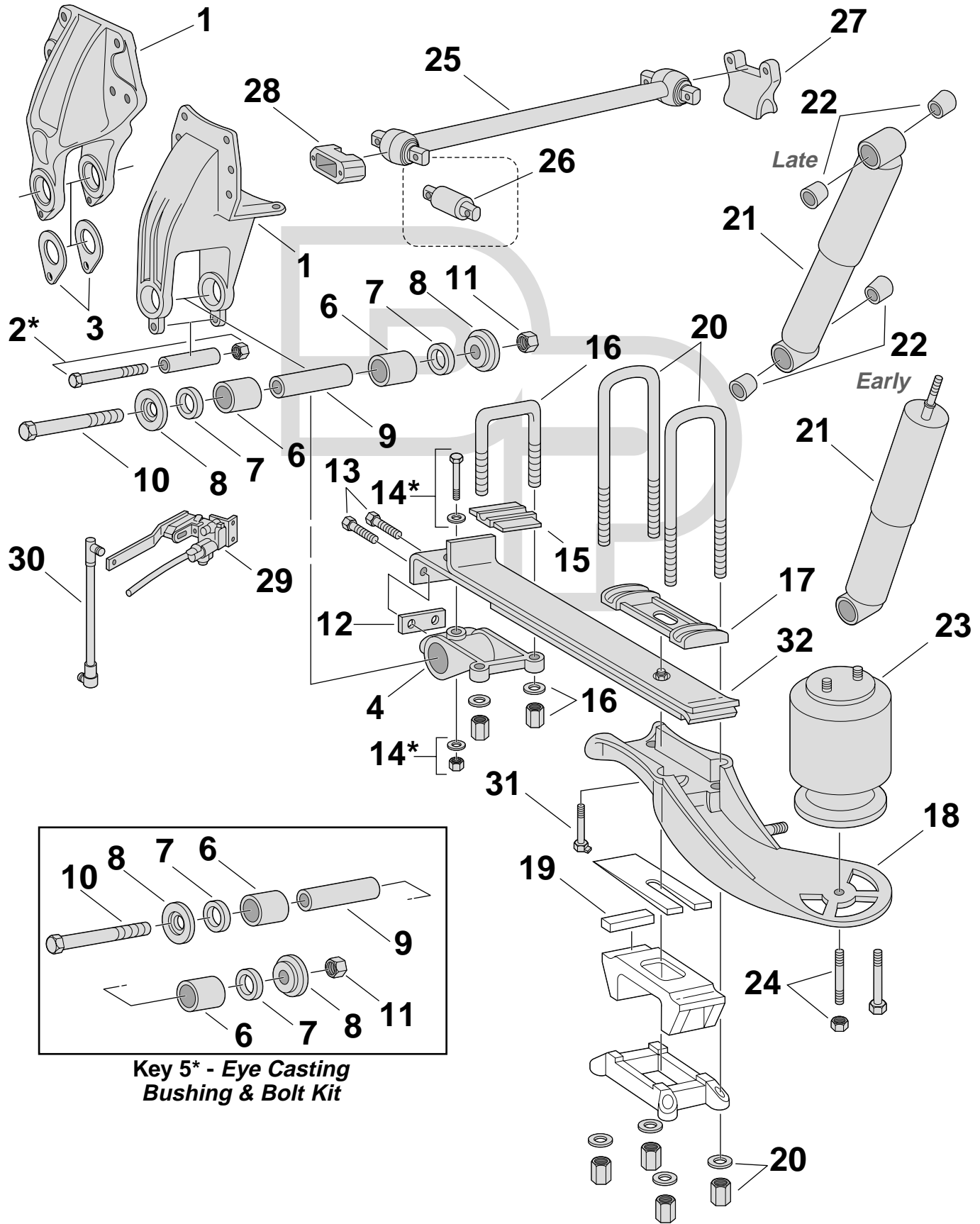


Key No.	Part Number	Description	No. Req.	OEM Reference	Remarks
✓✓	1	327-447 Spring Pin; 1 1/4"OD x 6"Lg x 4 7/16" c/c	4	02-01562, 02-01846	1977-86
✓		327-445 Spring Pin; 1 1/4"OD x 6 3/8"Lg x 5" c/c	2	02-01560	
✓✓		327-224 Spring Pin; 1 1/4"OD x 5 39/64"Lg x 4 3/8" c/c	4	02-00082	Double Lock
✓✓		327-225 Spring Pin; 1 1/4"OD x 6 3/16"Lg x 5" c/c	2	03-00180	1965-76; Double Lock
	2	RNI Bushing; 1 1/4"ID x 1 1/2"OD x 3 1/2"Lg	4/6	02-01848	1965-76 & 1977-86
		RNG Bushing; 1 1/4"ID x 1 1/2"OD x 3"Lg	2		1965-76; Shackle Hanger
✓	3	334-475 Fitting, Straight Zerk; 1/8"-27NPT	6	1613B	
	4	◆ Casting, Eye; Front	2	02-01475	
✓	5	330-132 Kit, Shackle	2		Incl. (2)330-118, (2)327-447, (1)RNG-BM, (1)RNI-BM & Hdwe.; w/3 1/2" Spring, w/338-701 or 338-786
✓	6	330-118 Side Bar; 5 5/8"Lg x 3 1/2" c/c x 1 5/16"Thk, 1 1/4" Pin Holes	4	02-00362	
	7	334-551 Assembly, Bolt; 3/8"-24 x 2 3/4"Lg	8		Incl. 334-537 Bolt & Hdwe.
✓●	8	338-786 Hanger, Shackle; 3 1/2" Wide	2	01-45523	1977-86; 327-447 Pin
✓●		338-701 Hanger, Shackle; 3" Wide	2	01-00012	1965-76; 327-224 Pin; Use 338-786
●	9	334-540 Seal; 1 3/16"ID x 1 3/4"OD x 1/4"Thk	4	28-00118	1965-76
✓	10	See Shocks Shock Absorber	2	Various	Consult Shock Catalog for Model Specific Applications
●	11	401754 Bushing, Shock; 1"ID	8		
	12	See Chart Wedge, Camber	2		See Chart on Page 1091
	13	361-198 Kit, U-Bolt; Special Bend, Grade 8	4	02-00991-120	3/4" x 3 9/16" x 12 1/4" PR2
		361-571 Kit, U-Bolt; Special Bend	4		3/4" x 3 9/16" x 10 1/4" PR2
	14	Spring Assembly Assembly, Spring	2		See Leaf Spring Web Catalog for Details

**Air Leaf®
Single/Tandem Axle
Rear Air Suspension**

Peterbilt

Peterbilt



Suspension Illustration

**Key 5* - Eye Casting
Bushing & Bolt Kit**

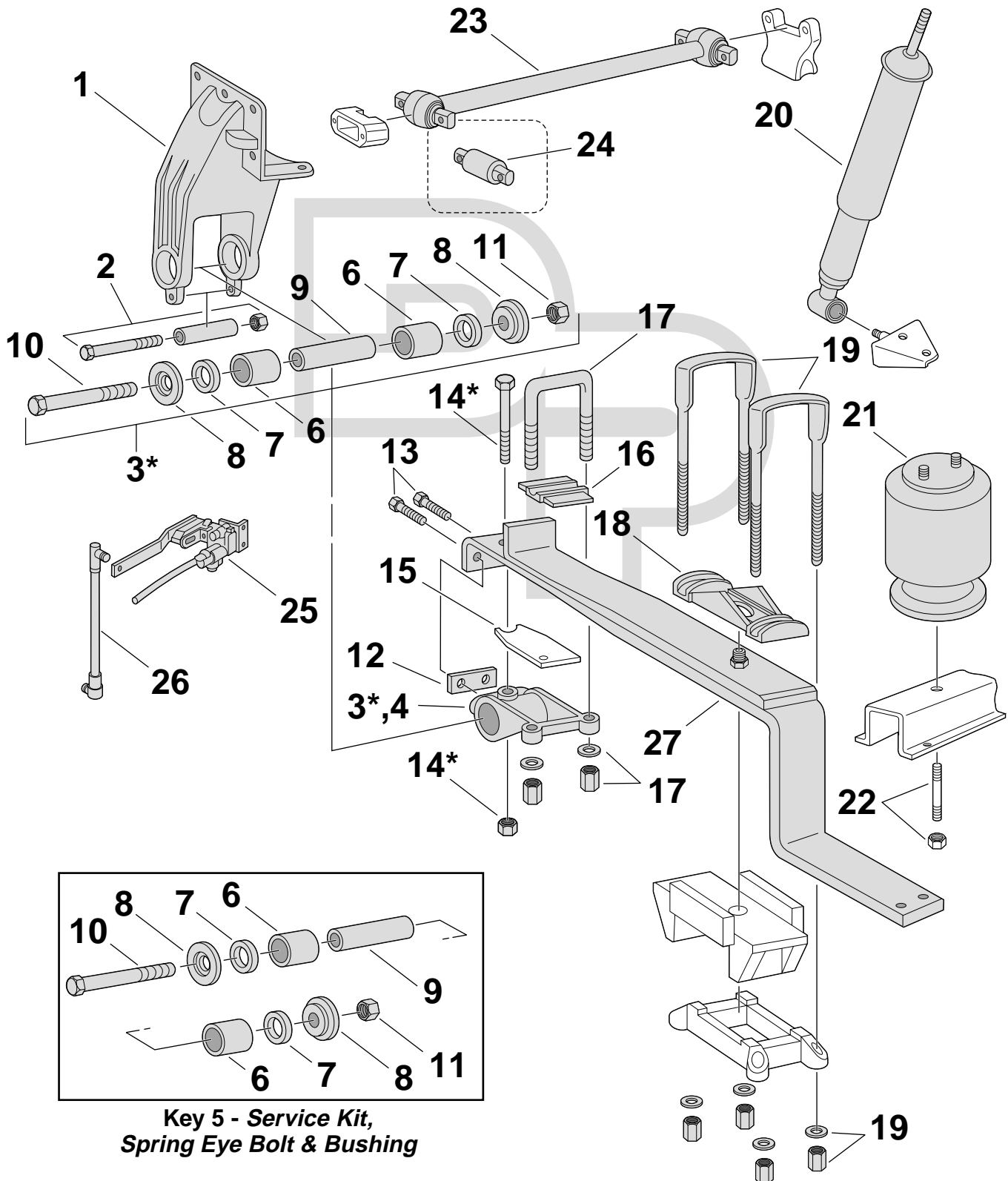
Key Numbers with an asterisk (*) indicate a kit or assembly.

Key No.	Part Number	Description	No. Req.	OEM Reference	Remarks
●	1 338-1223	Hanger	2	01-44585M001, 01-21518	
●	338-2059	Hanger	2	03-07328M001	Newer; 03+
	2 334-1793	Kit, Rebound; 1/2" x 6 1/2"Lg	2		Incl. Nut & roller
	3 334-2210	Washer, Wear	4	03-07148	Newer; 03+
●	4 338-1224	Casting, Eye	2	03-01654	
✓✓	5 334-460	Assembly, Bolt & Bushing	2	03AL1	Incl. Bushings, Sleeve, Washers & Hdwe.
	334-460U	Assembly, Bolt & Bushing; Urethane	2		
✓✓	6 320-108	Bushing; 1 3/4"ID x 2 1/2"OD x 2 3/4"Lg	4	03-01674	
●	320-108U	Bushing, Urethane	4		
✓	● 7 334-456	Washer; 1 3/4"ID x 2 5/8"OD x 1 5/16"Thk - Urethane	4	03-01675	
●	8 334-457	Washer, Compression; 1"ID x 3 1/4"OD x 3/8"Thk	4	03-01670	
	9 334-459	Sleeve; 1"ID x 1 3/4"OD x 5 3/4"Lg	2	03-01669	
	10 334-458	Bolt; 1"-14 x 8 1/2"Lg	2	03-01668	
✓✓	11 SLN-107	Nut, Lock; 1"-14	2		
●	12 334-1158	Shim; 1 1/2" x 3 3/4" x .062"Thk	AR	16-10790-000	
✓	13 334-1433	Bolt, Flange Head; 3/4"-10 x 2 1/4"Lg	4	27-00286-009	
✓✓	14 334-626	Assembly, Bolt; 3/4"-10 x 5"Lg	2		Incl. Bolt & Hdwe.
●	15 338-725	Plate, U-Bolt; Spring Eye; 4"W x 3 1/2"Lg	2	03-01657	
✓✓	16 361-161	Kit, U-Bolt; Square Bend, Grade 8	2	03-01661	3/4" x 4" x 5 7/8" S
✓✓	● 17 338-718	Saddle, U-Bolt; Iron	2	03-01656	OE is Aluminum
✓	● 18 338-811	Paddle, Air Spring; LH	1	03-02559L	Steel; To 99
✓	● 338-812	Paddle, Air Spring; RH	1	03-02559R	Steel; To 99
✓	● 338-2382	Paddle, Air Spring; LH	1	03-08163L	Steel; 2000+
✓	● 338-2383	Paddle, Air Spring; RH	1	03-08163R	Steel; 2000+
	19 ◆	Spacer, Camber	AR		
✓✓	20 361-167	Kit, U-Bolt; Special Bend, Grade 8	4	03-3134-151	1" x 4" x 15 7/8" PR
	21 M65448	Shock Absorber	2	03-04176	
✓	M65402	Shock Absorber	2	03-04629	
	See Shocks	Shock Absorber	2	Various	Consult Shock Catalog for Model Specific Applications
●	22 401754	Bushing, Shock; 1"ID	8		
✓	23 352-9069	Air Spring	2	03-07112	
✓	24 334-823	Assembly, Stud; 1/2"-20/13 X 5"Lg	2	03-02425, 27-00173	Incl. Stud & Lock Nut
✓✓	25 345-210	Torque Rod, Rigid; 22 7/8", 0°/0°	1	03-04059	Incl. 321-131 Bushings
	◆	Torque Rod, 22.79" c/c, 5/8" Bolts	1	03-0425100	Use 345-610 & 345-661
✓✓	● 26 321-131	Bushing; 2 17/32"OD x 4 3/8" c/c	2		For 5/8" Bolts & 1 1/8" Rod Diameter
●	27 338-663	Bracket, Torque Rod; Rear	1	03-02550	
●	338-662	Bracket, Torque Rod; Front	1	03-02555	
●	28 338-779	Bracket, Track Rod Frame; Straddlemount	1	03-02435	3/4" Bolts
✓✓	● 29 334-750	Valve, Height Control; Universal	1	H00450CA	Hadley - Model 450HCV
✓	● 30 334-751	Linkage Assembly, Universal; Adjustable	1	HPB450-3	3 5/8"-19 5/8" Range; Use w/All Height Control Valves
●	31 SCB-260	Bolt, Center; 3/4"-16 x 4 1/4"Lg	2	03-02583	
	32 Spring Assembly	Assembly, Spring	2		See Leaf Spring Web Catalog for Details

**Low Mount Air Leaf® (To 2003)
Single/Tandem Axle
Rear Air Suspension**

Peterbilt

Peterbilt



Suspension Illustration

**Key 5 - Service Kit,
Spring Eye Bolt & Bushing**

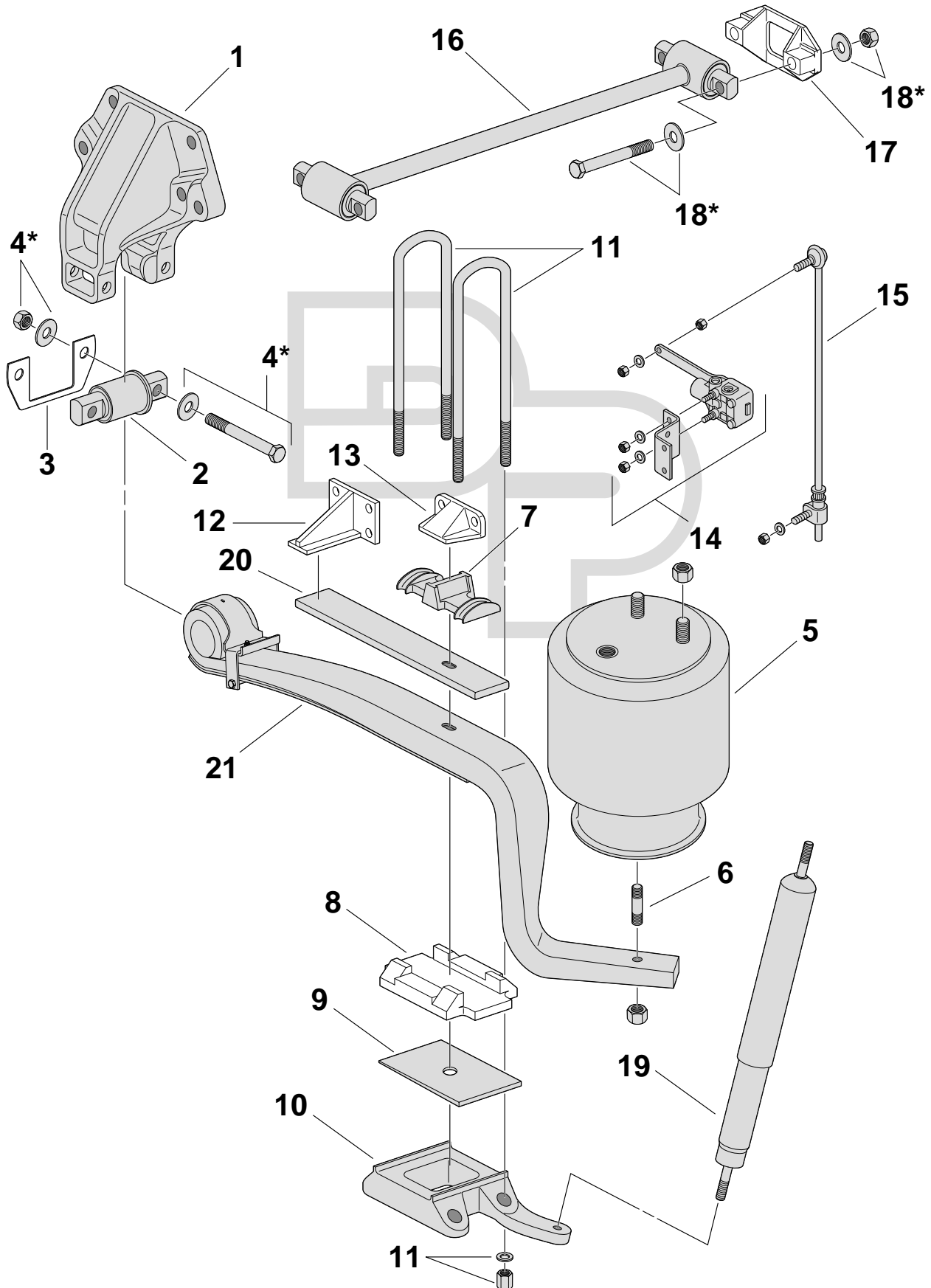
Key No.	Part Number	Description	No. Req.	OEM Reference	Remarks
	1 338-2321	Hanger	2	01-46758-M001	
✓	2 334-1793	Kit, Rebound; ½" x 6 ½"Lg	2		Incl. Nut & Roller
✓	3 334-1619	Kit, Service; Spring Eye Replacement	2		Incl. 338-1797 & 334-814
✓✓●	4 338-1797	Eye, Cast; Spring	2	03-05117	
✓✓	5 334-814	Kit, Service; Spring Eye Bolt & Bushing	2	03AL2	
	6 320-132	Bushing; 1 ¾"ID x 2 ½"OD x 2 15/32"Lg	4	03-05101	
✓●	7 334-456	Washer, Urethane; 1 ¾"ID x 2 5/8"OD x 15/16"Thk	4	03-01675	
●	8 334-457	Washer, Compression; 1"ID x 3 ¼"OD x 3/8"Thk	4	03-01670	
	9 334-816	Sleeve, Beam End; 1"ID x 1 ¾"OD x 5 ¼"Lg	2	03-05102	
	10 334-476	Bolt; 1"-14 x 8"Lg	2	03-05125, 03-05103	
✓✓	11 SLN-107	Nut, Lock; 1"-14	2		
	12 334-1436	Shim; 3 ¾"Lg x 1 ¼"W x 3/32"Thk	AR	03-05114-002	
	◆	Shim, Adjustment; Spring Eye; 3 ¾"Lg x 1 ¼"W x 1/16"Thk	AR	03-05114-001	
✓	13 334-1433	Bolt, Flange Head; ¾"-10 x 2 ¼"Lg	2	27-00286-009	
✓	14 334-770	Assembly, Bolt; 5/8"-18 x 5"Lg	2	23-09444-500	Incl. Bolt & Hdwe.
	15 ◆	Shim, Spring Eye; 6 ½"Lg x 1/16"Thk	2	03-05192	
●	16 338-1798	Saddle, U-Bolt; Spring Eye	2	03-05100	
✓✓	17 361-204	Kit, U-Bolt; Square Bend, Grade 8	2	03-00581	¾" x 3 1/16" x 5 1/8" S
	18 338-1799	Saddle, U-Bolt	2	03-05380, 03-07677	
✓✓	19 361-393	Kit, U-Bolt; Semi-Round, Forged Top, Grade 8	4	03-05110-155	1" x 3 1/2" x 15 1/2" SR
	362-111	Kit, U-Bolt; Semi Round, Forged Top, Grade 8	2		Use w/3 Leaf Springs
✓	20 M65400	Shock Absorber	2	03-05384	
	M66428	Shock Absorber	2	03-06084	
	See Shocks	Shock Absorber	2	Various	Consult Shock Catalog for Model Specific Applications
	21 352-9194	Air Spring	2	03-05107	
✓✓	352-9026	Air Spring	2	03-07111	
	352-8852	Air Spring	2	03-07887	
	22 ◆	Stud, Mounting; ½"-13/20 x 6"Lg	2	27-00972	
✓✓	23 345-215	Rod, Track; Rigid; 25 5/16"	2	03-05108, 943711	Incl. 321-131 Bushings; Forged Ends
✓✓●	24 321-131	Bushing; 2 17/32"OD x 4 3/8" C/L to C/L	4	03-01776	For 5/8" Bolts & 1 1/8" Rod Diameter
✓✓●	25 334-750	Valve, Height Control; Universal	1		Hadley - Model 450HCV
✓●	26 334-751	Linkage Assembly, Universal; Adjustable	1		3 5/8"-19 5/8" Range; Use w/All Height Control Valves
	27 75-147	Assembly, Spring	2	03-05121	See Leaf Spring Web Catalog For Details

Air Glide® 210 Low Air "Twisted Sister"
 (Kenworth AG210/400L)
Single/Tandem Axle Rear Air Suspension

Peterbilt

Peterbilt

Suspension Illustration



Key Numbers with an asterisk (*) indicate a kit or assembly.

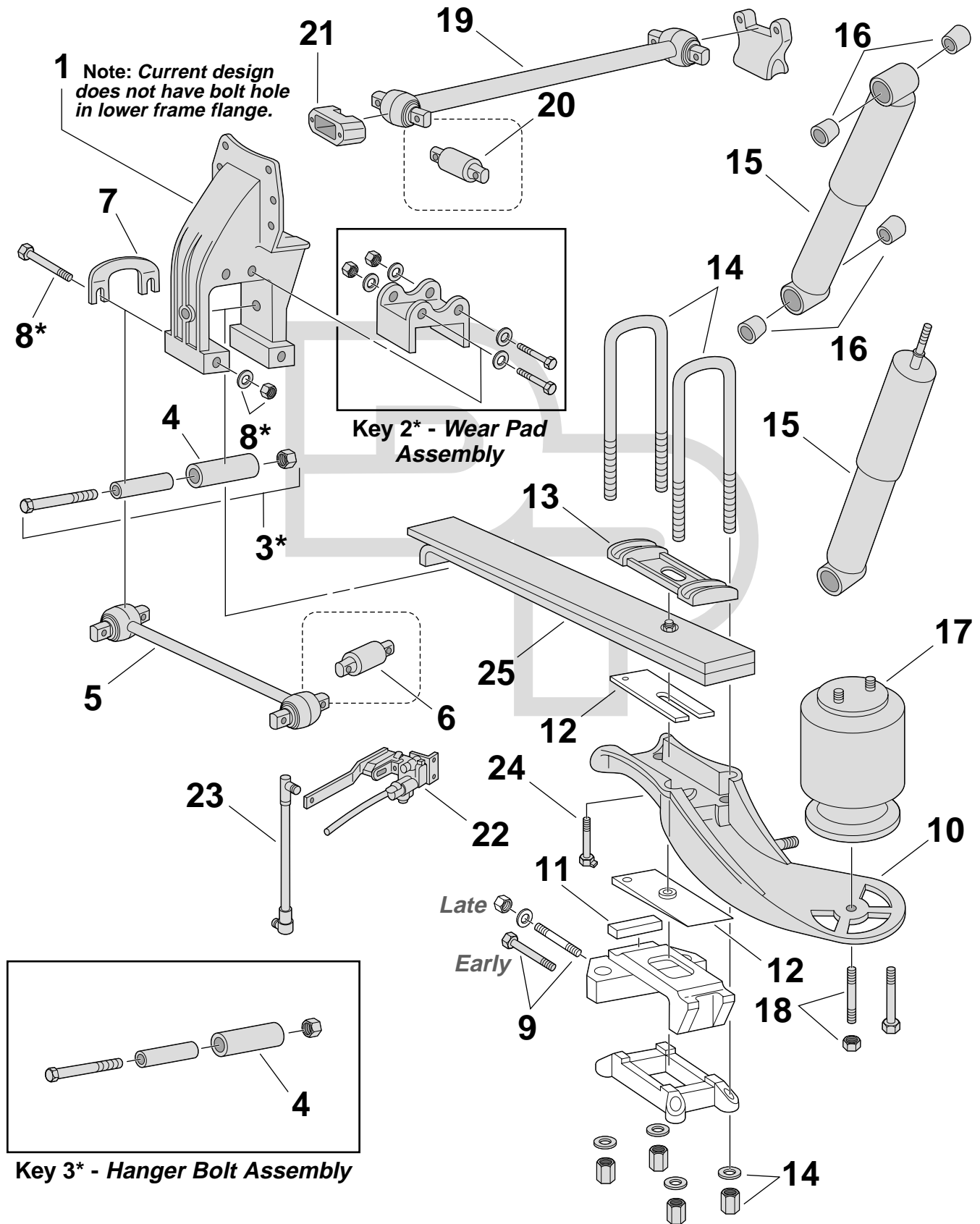
Key No.	Part Number	Description	No. Req.	OEM Reference	Remarks
● 1	338-2300	Hanger	2	C11-1124	
✓ ● 2	RB-268	Bushing; Anti-Walk	2		
	◆	Shim, Alignment	AR	03-08782-002	1.5mm; Use 334-526
	334-2015	Assembly, Bolt; M20 x 180mm Lg	4	27-01113-180	
	352-8864	Air Spring	2	C81-1011	
	334-2087	Stud; ½" x 8"Lg	2	27-01746	
● 7	338-2301	Saddle, U-Bolt	2	03-08712	
	◆	Seat, Axle	2	Various	
	A-4xx	Wedge, Camber	4	Various	See Chart on Page 1091
● 10	338-2354	Clamp, Axle; Shock Mount; LH	2	C16-6001M00, C16-6001M02	
●	338-2355	Clamp, Axle; Shock Mount; RH	2	C16-6001M0R	
	361-374	Kit, U-Bolt; Round Bend, Grade 8	2	03-08693-365,	7/8" x 3" x 14 ½" R; OEM is Metric
	◆	Bracket, Helper	2		
	◆	Stop, Axle	2		
✓ ● 14	334-1648	Valve, Height Control; w/Dump	1	57977	w/Integral Dump
✓ ● 15	334-751	Linkage Assembly, Universal; Adjustable	1	HPB450-3	3 5/8"-19 5/8" Range; Use w/All Height Control Valves
● 16	345-905	Rod, Track; 25 9/16" Lg c/c, 0°/0°	2	TR030020010	Non-Replacable Bushing
	338-2302	Bracket, Torque Rod	2	03-06830	
	SP	Kit, Bolt; M16 x 2 x 130mm	2	27-01118-130	Use 334-1317
	M65468	Shock Absorber	2	03-08781	
	SP	Spring, Helper	2		See Leaf Spring Web Catalog for Details
	Spring Assembly	Assembly, Spring	2		See Leaf Spring Web Catalog for Details

**Air Trac®
Single/Tandem Axle
Rear Air Suspension**

Peterbilt

Peterbilt

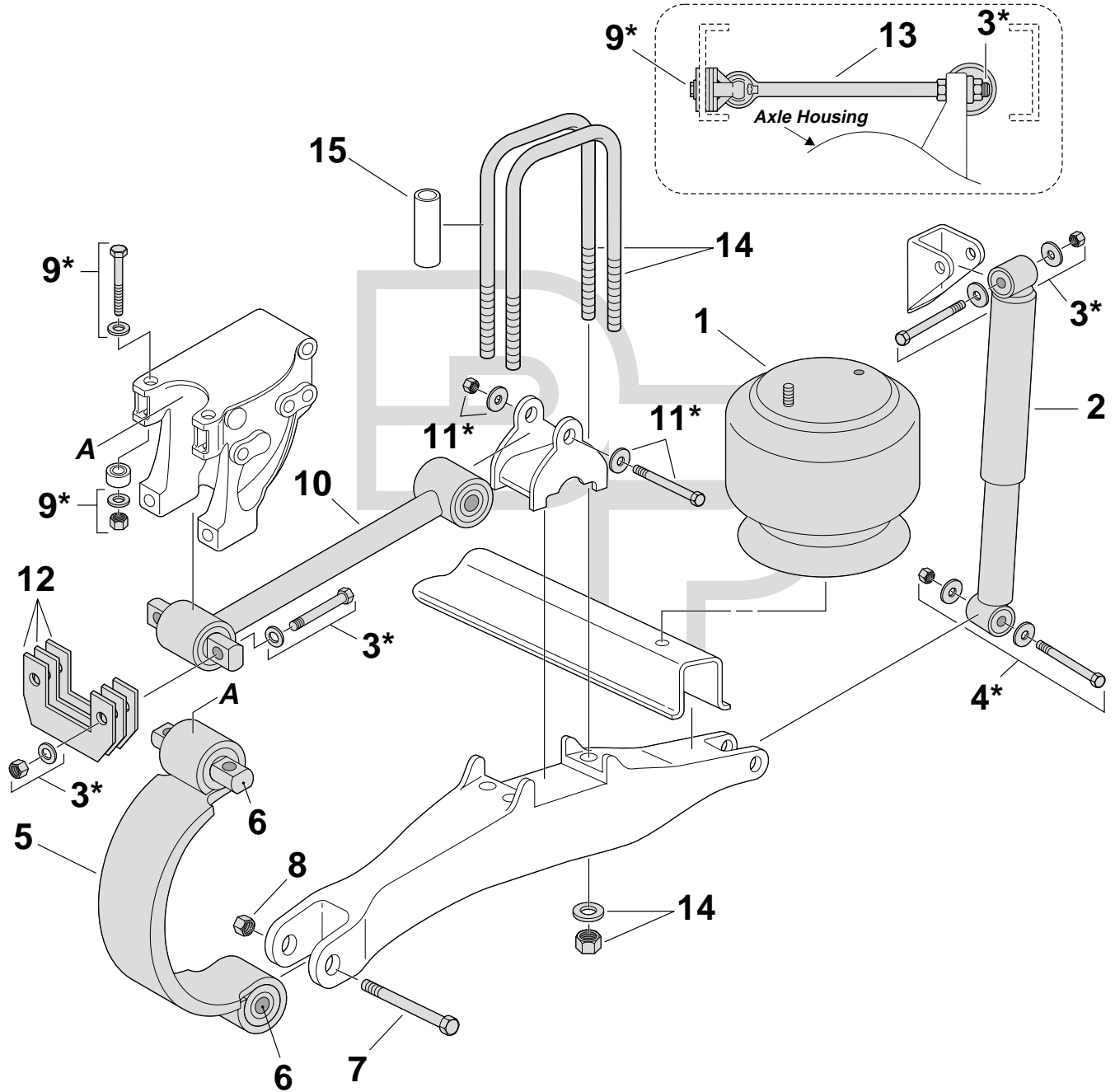
Suspension Illustration



Key No.	Part Number	Description	No. Req.	OEM Reference	Remarks	
●	1	338-1240	Hanger	2	01-44406, 01-48280-M002	Pre 07/93; Replaced by 338-1240A
✓✓●		338-1240A	Assembly, Hanger	2	01-48280-M004	Current Design; Replaces 338-1240 on Past Production; Incl. Wear Pad
✓✓	2	334-1592	Assembly, Wear Pad	2	03-07296	5/8" Bolt
✓	3	334-1194	Assembly, Bolt; 5/8"-18 x 7 1/2"	2		Incl. Bolt, Roller & Hdwe.
	4	334-1195	Roller, Urethane; 1 1/6"ID x 2"OD x 5 3/16"Lg	2	03-04623	
✓	5	345-196	Torque Rod, Rigid; 17.34"Lg; 0°/10°	2	03-04119, 924170	w/ 5/8" Mounting Hdwe. at T/R Axle Bracket
✓		345-211	Torque Rod, Rigid; 17.34"Lg; 0°/10°	2	03-04327, 924175	w/ 3/4" Mounting Hdwe. at T/R Axle Bracket
		345-240	Torque Rod, Rigid; 17.34"Lg; Full Ball Design	2	03-04327	w/ 3/4" Mounting Hdwe. at T/R Axle Bracket
✓✓●	6	321-132	Bushing; Straddlemount; 2 3/4"OD x 4 3/8" c/c	4	227720	For 5/8" Bolts & 1 1/4" Rod Diameter
●		321-132U	Bushing, Urethane	4		
✓✓●		321-265	Bushing; 2 3/4"OD x 4 3/8" c/c	4	227723	For 3/4" Bolts & 1 1/4" Rod Diameter
		321-265U	Bushing, Urethane	4		
✓✓●	7	334-526	Shim; 1/16"Thk 4 3/8" c/c	AR	03-02726-001	
	8	334-764	Assembly, Bolt; 5/8"-18 x 7"Lg	4		Incl. Bolt & Hdwe.
	9	◆	Stud	4	03-01767	Use 334-1188
✓		334-1433	Bolt, Flange Head; 3/4"-10 x 2 1/4"Lg	4	27-00286-009	
		334-1188	Bolt, Flange Head; 5/8"-11 x 2 1/4"Lg	4	27-00702-009	
✓●	10	338-811	Paddle, Air Spring; LH	1	03-06747L, 03-02559L	Cast Steel; Thru 1999
✓●		338-2382	Paddle, Air Spring; LH	1	03-08163L	Steel; 2000+
		◆	Paddle, Air Spring; LH	1	03-07346L	Aluminum
✓●		338-812	Paddle, Air Spring; RH	1	03-06747R, 03-02559R	Cast Steel; Thru 1999
✓●		338-2383	Paddle, Air Spring; RH	1	03-08163R	Steel; 2000+
		◆	Paddle, Air Spring; RH	1	03-07346R	Aluminum
	11	◆	Spacer, Camber	AR	03-02730-002	
	12	◆	Spacer; 4"W x 9"Lg x 1/8"Thk	AR	03-04106	
✓✓●	13	338-718	Saddle, U-Bolt; Iron	2	03-01656	OE is Aluminum
✓✓	14	361-167	Kit, U-Bolt; Special Bend, Grade 8	4	03-3134-151	1" x 4" x 15 7/8" PR
✓	15	M65444	Shock Absorber	2	03-07421	
✓✓		M65402	Shock Absorber	2	03-04629	
✓		M65400	Shock Absorber	2	03-07423	
		See Shocks	Shock Absorber	2	Various	Consult Shock Catalog for Model Specific Applications
●	16	401754	Bushing, Shock; 1"ID	8		
✓✓	17	352-9069	Air Spring	2	03-04759	
✓	18	334-823	Assembly, Stud; 1/2"-20/13 X 5"Lg	2	03-02425, 27-00173	Incl. Stud & Lock Nut
✓✓	19	345-210	Torque Rod, Rigid; 22 7/8"Lg c/c, 0°/0°	2	03-04059	Incl. (2)321-131 Bushings
		345-241	Torque Rod, Rigid; 22.81"Lg; Full Ball Design	2	03-04251	
✓✓●	20	321-131	Bushing; 2 17/32"OD x 4 3/8" c/c	4		For 5/8" Bolts & 1 1/8" Rod Diameter
●		321-131U	Bushing, Urethane	4		
●	21	338-779	Bracket, Frame; Track Rod; Straddlemount	2	33783	3/4" Bolts
✓✓●	22	334-750	Valve, Height Control; Universal	1	H00450CA	Hadley - Model 450HCV
✓✓●		334-1143	Valve, Height Control	1		
✓●	23	334-751	Linkage Assembly, Universal; Adjustable	1	HPB450-3	3 5/8"-19 5/8" Range; Use w/All Height Control Valves
●	24	SCB-260	Bolt, Center; 3/4"-16 x 4 1/4"	2	03-02583	Special Head
	25	75-125	Assembly, Spring	2	03-02432	See Leaf Spring Web Catalog for Details

Peterbilt

Suspension Illustration

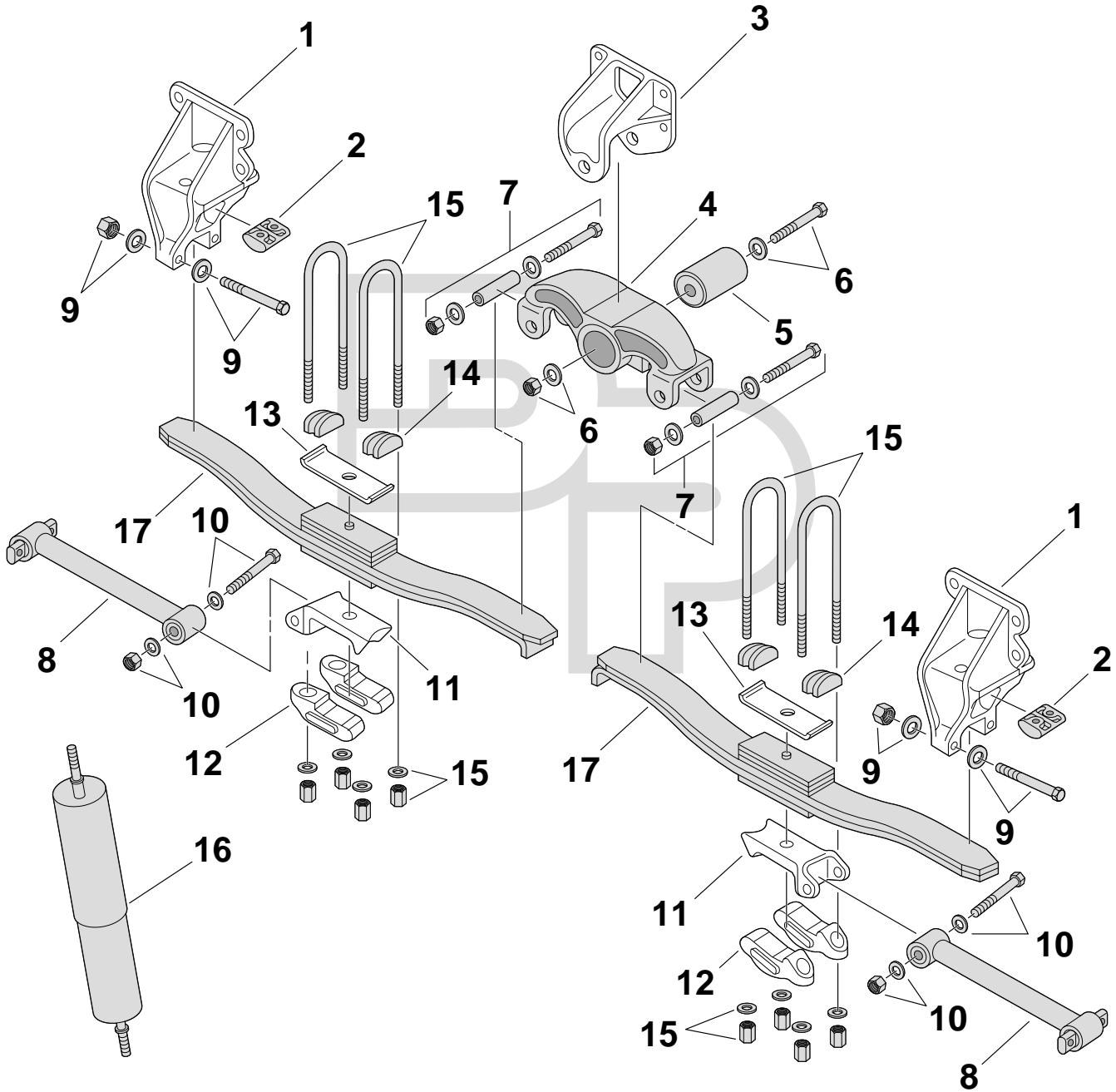


Key No.	Part Number	Description	No. Req.	OEM Reference	Remarks
✓✓	1	352-8813 Air Spring	4	C81-6000	
	2	M65495 Shock Absorber	4	C71-6000	
✓✓	3	334-754 Assembly, Bolt; 5/8"-18 x 5 1/2"Lg	16		Incl. Bolt & Hdwe.
✓	4	334-768 Assembly, Bolt; 5/8"-18 x 4 1/2"Lg	4		Incl. Bolt & Hdwe.
	5	75-167 Link, Spring	4	C81-6001A	
✓	6	RB-291 Bushing, Bar Pin	4	C13-6001	
✓		RB-292 Bushing; 7/8"ID	4	C65-1002	
	7	327-316 Bolt; 7/8"-14 x 6 1/2"Lg	4	27-00556-025	
	8	SLN-106 Nut, Lock; 7/8"-14	4		
✓	9	334-1330 Assembly, Bolt; M16-2.0 x 160mm	8	27-01118-160	Incl. Bolt & Hdwe.
✓		334-1337 Assembly, Bolt; M16-2.0 x 150mm	4	27-04448-150	Incl. Bolt & Hdwe.
	10	345-882 Torque Rod; 23 3/4"Lg c/c	2	C65-6000-001	Front
		345-883 Torque Rod; 24 5/8"Lg c/c	2	C65-6000-002	Rear
	11	334-1701 Assembly, Bolt; 7/8"-14 x 5 1/2"Lg	4	27-00556-022	
✓✓ ●	12	334-526 Shim; 1/16"Thk 4 3/8"Lg c/c	AR		
✓✓	13	345-884 Assembly, Track Rod; 25 1/2" c/c	2	C65-6002	
✓	14	361-641 Kit, U-Bolt; Square Bend, Grade 8	8	C34-6000	
	15	◆ Insulator	16		Use 334-1645

Quadraflex®
 (1992 & Up)
Four Spring Tandem Suspension

Peterbilt

Peterbilt



Suspension Illustration

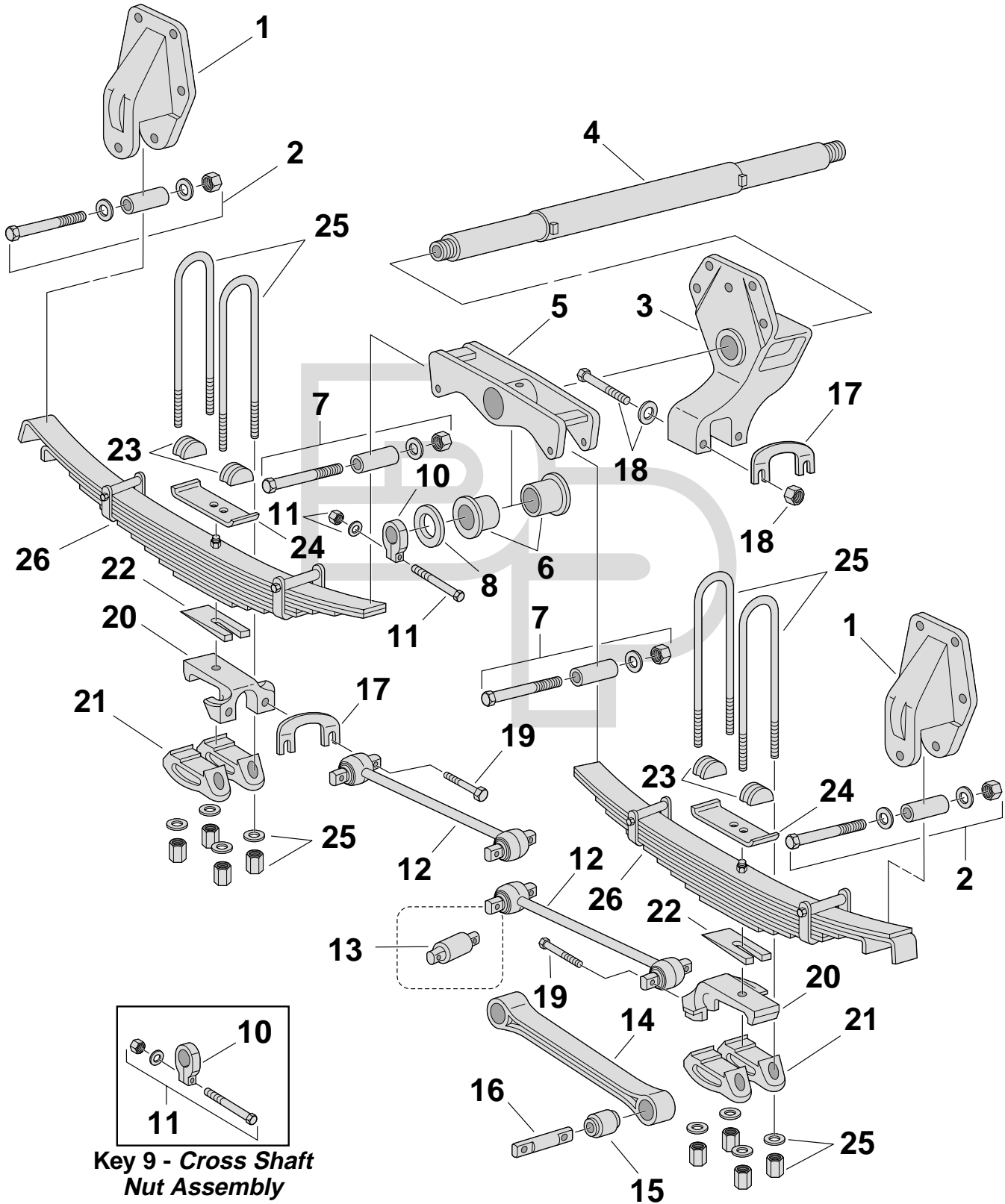
Key No.	Part Number	Description	No. Req.	OEM Reference	Remarks
	◆	Hanger	4	01-48047M001	
●	334-1196	Pad, Wear	4	03-05851M001	
	◆	Hanger, Equalizer	2	01-48048M001	
●	338-1386	Assembly, Equalizer	2	03-05856M001, 03-06771M001	
●	321-222	Bushing; 1"ID x 3.74"OD x 5 ¼"Lg	2	03-06843	
✓✓	334-811	Assembly, Bolt; 1"-14 x 8 ½"Lg	2	03-01668	Incl. Bolt & Hdwe.
	334-812	Assembly, Bolt; Rebound; ½"-13 x 5"Lg	4		Incl. Bolt, 3 ⅝"Lg Tube & Hdwe.
	345-214	Torque Rod, Rigid; 18 7/16"Lg c/c	4	03-05849, 942970	Non-Replaceable Bushings
✓	334-768	Assembly, Bolt; ⅝"-18 x 4 ½"Lg	4	955375, 27-00788-018	Incl. Bolt & Hdwe.
	334-907	Assembly, Bolt; M20-2.5 x 120mm	4	27-01113-130	Incl. Bolt & Hdwe.
	◆	Seat, Axle; Front	2	03-05859M001	
	◆	Seat, Axle; Rear	2	03-05858M001	
	◆	Clamp, Axle; Right	4	03-02634R	
	◆	Clamp, Axle; Left	4	03-02634L	
	◆	Clamp, Axle	8	03-04776	
	◆	Plate, Saddle; U-Bolt; 7 15/16"Lg x 2 7/8"W x 1/8"Thk	4	03-05863	
●	334-470	Cap, U-Bolt	8	03-01766	Obsolete
✓	361-196	Kit, U-Bolt; Round Bend, Grade 8	8	03-3133-152	¾" x 3" x 15 ⅝" R
✓	M65404	Shock Absorber	4	03-04628	
✓✓	M66424	Shock Absorber	4	03-07420	
	75-161	Spring, Taper	4	03-06996	2-Leaf
	75-153	Spring, Multi-Leaf	4	03-06552	5/1; Two Stage Spring for 38k Suspension

**Four Spring
(Early Production)
Tandem Suspension**

Peterbilt

Peterbilt

Suspension Illustration



**Key 9 - Cross Shaft
Nut Assembly**

Key Numbers with an asterisk (*) indicate a kit or assembly.

Key No.	Part Number	Description	No. Req.	OEM Reference	Remarks	
✓ ●	1	338-840	Hanger	4	01-42518	
	2	334-560	Assembly, Bolt; Rebound; 1/2"-13 x 5"Lg	4		Incl. Bolt, 3 7/16"Lg Tube & Hdwe.
●	3	338-759	Hanger	2	01-26604	
●	4	334-464	Shaft; 2 1/2"OD x 48 1/2"Lg, 2 1/4"-12 Thread	1	1AAA79	
✓ ●	5	338-717	Equalizer	2	03-03328	Use 322-119 Bushings & 334-558 Rebound Kit
		338-1827	Assembly, Equalizer	2		Incl. 338-717 Equalizer, (2)322-119 Bushings & Rebound Hdwe.
✓✓ ●	6	322-119	Bushing; 2 15/32"ID x 3 3/32"OD x 2 1/4"Lg	4	03-02099	Urethane
✓	7	334-558	Assembly, Bolt; Rebound; 1/2"-20 x 4 3/4"Lg	4		Incl. Bolt, 3 1/8"Lg Tube & Hdwe.
	8	334-1095	Washer; 2 9/16"ID x 4"OD x 1/4"Thk	2	900 36 080	
●	9	334-1432	Assembly, Cross Shaft Nut	2		Incl. Pinch Bolt, 334-502 & 334-551; Obsolete
●	10	334-502	Nut, Cross Shaft; 2 1/4"-12 Thread	2	03-01758	Obsolete
	11	334-551	Assembly, Bolt; 3/8"-24 x 2 3/4"Lg	2		Incl. 334-537 Bolt & Hdwe.
✓	12	345-186	Torque Rod, Rigid; 19 1/8"Lg c/c, 10°/5°	4	03-01781	Tubular Design; Replaces Cast Aluminum Style; Incl. (2)321-223 Bushings
✓✓ ●	13	321-223	Bushing; 2"OD x 4 3/8" c/c x 5/8" Bolts	8	47691	
	14	◆	Torque Rod, Rigid; Cast Aluminum	4	03-01764	Use 345-186
●	15	322-120	Bushing; 1 3/8"ID x 2 1/8"OD x 2 3/4"Lg	8	03-01766	Cast Aluminum Torque Rod Only; Obsolete
●	16	334-1189	Pin, Torque Rod	8	03-01768	Cast Aluminum Torque Rod Only; Obsolete
✓✓ ●	17	334-526	Shim; 1/16"Thk 4 3/8" c/c	AR	49689	
	18	334-764	Assembly, Bolt; 5/8"-18 x 7"Lg	4		Incl. Bolt & Hdwe.
	19	334-1188	Bolt, Flange Head; 5/8"-11 x 2 1/4"Lg	8	27-00702-009	Flanged Head
●	20	338-753	Bracket, Torque Rod Seat; LR-RR; 4°	2	03-02864M002	Rockwell SQHD; 4 1/4" x 5"
●		338-754	Bracket, Torque Rod Seat; LF-RF; 4°	2	03-02865M002	Rockwell SQHD; 4 1/4" x 5"
	21	338-752	Clamp, U-Bolt; Axle	8	03-01765	Obsolete
	22	See Chart	Wedge, Camber	AR		See Chart on Page 1091
●	23	334-470	Cap, U-Bolt	8	03-01766	Obsolete
●	24	338-1601	Plate, Saddle; U-Bolt	4	03-01769	Obsolete
✓✓	25	361-196	Kit, U-Bolt; Round Bend, Grade 8	8	03-3133-152	3/4" x 3" x 15 5/8" R
	26	Spring Assembly	Assembly, Spring	4		See Leaf Spring Web Catalog for Details

401754



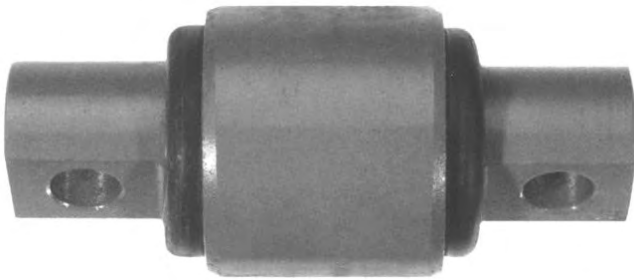
Shock Bushing; 1" I.D.

320-108, 320-108U



Bushing; 1 3/4"ID x 2 1/2"OD x 2 3/4"Lg.; Models Air Leaf Single/Tandem Axles, Rear Air Suspension

321-131



Bushing; 2 17/32" O.D. x 4 3/8" C to C; For 5/8" Bolts and 1 1/8" Rod Diameter; Models Air Leaf, Low Mount Air Leaf, Air Trac

321-131U



Bushing, Urethane; 2 17/32" O.D. x 4 3/8" C to C; For 5/8" Bolts and 1 1/8" Rod Diameter; Models Air Leaf, Low Mount Air Leaf, Air Trac

321-132



Bushing; 2 3/4" O.D. x 4 3/8" C to C; For 5/8" Bolts and 1 1/4" Rod Diameter; Model Air Trac

321-132U



Bushing, Urethane; 2 3/4" O.D. x 4 3/8" C to C; For 5/8" Bolts and 1 1/4" Rod Diameter; Model Air Trac

321-222



Bushing; 1" I.D. x 3" O.D. x 5 1/4" Lg.; Models Quadraflex, Four Spring Tandem

321-223



Bushing; 2" O.D. x 4 3/8" C to C w/ 5/8" Bolts; Model Four Spring Tandem

321-265



Bushing; 2 3/4" O.D. x 4 3/8" C to C; For 3/4" Bolts and 1 1/4" Rod Diameter; Model Air Trac

322-119



Bushing; 2 15/32" I.D. x 3 3/32" O.D. x 2 1/4" Lg.; Urethane; Model Four Spring Tandem

322-120



Bushing; 1 3/8" I.D. x 2 1/8" O.D. x 2 9/16" Lg.; Cast Aluminum Torque Rod Only; Model Four Spring Tandem

322-141



Bushing; 1 1/4" I.D. x 1 1/2" O.D. x 4" Lg.; Replaces PB18 and RNK-BM, Includes Seals, 4" Wide; Model Conventional/Cabover Front Suspension

327-446



Spring Pin; 1 1/4"OD x 6"Lg x 5 1/16" c/c; Front w/4" Springs

327-483



Spring Pin; 1 1/4"OD x 6 7/8"Lg x 5 5/16" c/c; Front w/4" Springs

327-532



Spring Pin, 1 1/4" O.D. x 7 5/8" Lg.; Model 387

327-537



Spring Pin, Threaded Metric; 5.75 C/C; Model Conventional/Cab Over Front Suspension

327-540



Spring Pin, Threaded Metric; 6.30 C/C; Model Conventional/Cab Over Front Suspension

327-541



Spring Pin; 1 1/4"OD x 7 7/16"Lg. x 5 3/4" C/C; Front of front; Model 357/379 SBA w/cast eye

327-544



Spring Pin, Threaded Metric; 5.43 C/C; Model Conventional/Cab Over Front Suspension

330-191



Shackle Kit; 3 9/16" c/c; Incl. (2) 330-186, (2) 327-483, (2) RNK-BM & Hdwe. Front w/4" Springs

330-192



Shackle Kit; 5 1/8" c/c; Incl. (2) 330-187, (2) 327-483, (2) RNK-BM & Hdwe.; Front w/4" Springs

330-341



Side Bar; Model 387

330-342



Shackle Kit; Incl 322-141 Bushings; Model 387

334-456



1 3/4" I.D. x 2 5/8" O.D. x 15/16" Thk; Urethane; Models Air Leaf, Low Mount Air Leaf

334-457



Washer, Compression; 1" I.D. x 3 1/4" O.D. x 3/8" Thk.; Models Air Leaf, Low Mount Air Leaf

334-464



Shaft; 2 1/2" O.D. x 48 1/2" Lg., 2 1/4"-12 Thread; Model Four Spring Tandem

334-470



Cap, U-Bolt; Obsolete; Models Quadraflex, Four Spring Tandem

334-502



Nut, Cross Shaft; 2 1/4"-12 Thread; Use w/ 334-551 Bolt Assy.; Model Four Spring Tandem

334-526



Shim; 1/16" Thk., 4 3/8" C to C; Models Four Spring Tandem, Air Trac

334-540



Seal; 1 3/16" I.D. x 1 3/4" O.D. x 1/4" Thk.; Model Conventional/Cabover Front Suspensions

334-750



Valve, Height Control; Universal; Hadley - Model 450HCV; Models Air Leaf, Low Mount Air Leaf

334-751



Linkage Assembly, Universal Adjustable; 3 5/8"-19 5/8" Range; Use with all Height Control Valves; Models Air Leaf, Low Mount Air Leaf

334-1143



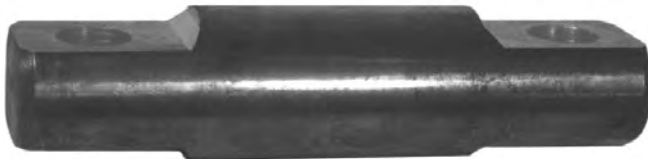
Valve, Height Control; Model AirTrac

334-1158



Shim; 1 1/2" x 3 3/4" x .062" Thk.; Model Air Leaf

334-1189



Pin, Torque Rod; 1 3/8" O.D. x 4 3/8" C to C, Cast Aluminum Torque Rod Only; Use w/ 322-120 Bushings; Model Four Spring Tandem

334-1196



Wear Pad; Models Quadraflex, Four Spring Tandem

334-1432



Nut Assembly, Cross Shaft; Incl. Pinch Bolt; 334-502 & 334-551; Obsolete; Model Four Spring Tandem (Early Production)

334-1648



Valve, Height Control; w/Dump; w/Integral Dump; Model Air Glide 210/400L "Twisted Sister"

334-1822



Washer, Spacer; Model 387 Conventional Front

338-662



Bracket, Torque Rod; Front; Model Air Leaf

338-663



Bracket, Torque Rod; Rear; Model Air Leaf

338-701



Hanger, Shackle; 3" Wide; Includes RNG Bushing; Use w/ 327-224 Pin; Conventional/Cabover Front 1965-76

338-717



Equalizer; Uses 322-119 Bushings and 334-555 Rebound Bolts; Included in 338-1827 Assy. (Pictured); Model Four Spring Tandem

338-718



Saddle, U-Bolt; Iron; OE is Aluminum; Models Air Leaf, Air Trac

338-725



Plate, Spring Eye U-Bolt; 4" Wd. x 3" Lg.; Model Air Leaf

338-753



Bracket, Torque Rod Seat (LR-RR), 4"; 4 1/4" x 5"; Rockwell SQHD ; Model Four Spring Tandem

338-754



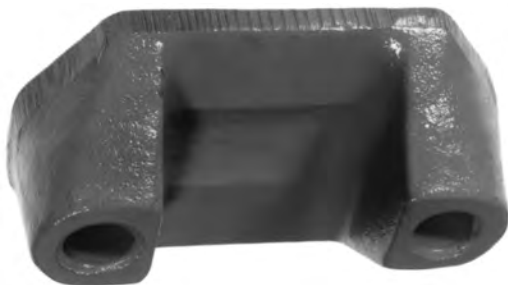
Bracket, Torque Rod Seat (LF-RF), 4"; 4 1/4" x 5"; Rockwell SQHD; Model Four Spring Tandem

338-759



Hanger; Use w/ 334-764 Bolt Assy.; Model Four Spring Tandem

338-779



Bracket, Track Rod Frame; Straddlemount; 3/4" Bolts; Models Air Leaf, Air Trac

338-784



Hanger, Shackle; RH; Use w/ 327-446 Pin, Includes Seals and 322-141 Bushing; Cabover Front Prior to 1989

338-785



Hanger, Shackle; LH; Includes Seals and 322-141 Bushing; Use w/ 327-446 Pin; Cabover Front Prior to 1989

338-786



Hanger, Shackle; 3 1/2" Wd.; Use w/ 327-447 Pin; Includes Seals and RNI Bushing; Conventional/Cabover Front 1965-86

338-811



Paddle, Air Spring (LH); Models Air Leaf, Air Trac

338-812



Paddle, Air Spring (RH); Models Air Leaf, Air Trac

338-840



Hanger; Use w/ 334-560 Rebound Kit; Model Four Spring Tandem

338-1223



Hanger; Use w/ 334-490 Rebound Kit; Model Air Leaf

338-1224



Eye Casting; Use w/ 334-460 Bolt and Bushing Kit; Model Air Leaf

338-1230 (3/4" Bolts) / 338-1230A (5/8" Bolts)



Hanger, Shackle; 4" Wide Spring; Replaces 338-784/785 After 1989; Model Conventional Front 1987 and Up

338-1240



Hanger; Pre 7/93; r/b 338-1240A; Model Air Trac

338-1240A



Hanger; Replaces 338-1240; Model Air Trac

338-1386



Equalizer Assembly; Use w/ 334-811 Bolt Assy. and 334-812 Rebound Kit; Includes 321-222 Bushing; Models Quadraflex, Four Spring Tandem

338-1601



Plate, U-Bolt Saddle; Obsolete; Model Four Spring Tandem

338-1797



Eye, Cast Spring; Use w/ 334-814 Bolt and Bushing Kit; Model Low Mount Air Leaf

338-1798



Saddle, Spring Eye U-Bolt; Model Low Mount Air Leaf

338-1898



Hanger, Shackle; Incl. 322-141 Bushing; Model 387 Conventional Front

338-2032



Hanger, Shackle; Incl. RB-295 bushing, PACCAR chassis; Model Conventional/Cab Over Front

338-2059



Hanger; Newer; 03+; Model Air Leaf

338-2100



Hanger, Shackle; Incl. TB-77 bushing, PACCAR chassis; Model Conventional/Cab Over Front

338-2101



Hanger, Shackle; Incl. RB-328 bushing, PACCAR chassis; Model Conventional/Cab Over Front

338-2102



Hanger, Shackle; Incl. RB-338 bushing; Model Conventional/Cab Over Front

338-2172-01



Hanger; Threaded Bushing; TB-81; Threaded Bushing; Front w/4" Springs

338-2220



Hanger, Shackle; Front w/4" Springs

338-2283



Bottom Plate; Square U-Bolts

338-2300



Hanger; Model Air Glide 210 - Low Air "Twisted Sister"

338-2301



U-Bolt Saddle; Model Air Glide 210

338-2354



Axle Clamp, Shock Mount; LH; Model Air Glide 210

338-2355



Axle Clamp, Shock Mount; RH; Model Air Glide 210

338-2382



Paddle, Air Spring (LH); Steel; 2000+; Model Air Leaf, Air Trac®

338-2383



Paddle, Air Spring (RH); Steel; 2000+; Model Air Leaf, Air Trac®

339-308



Service Kit, RB to TB Conversion; Replaces (6) RB-295 w/Threaded Pins & Bushings; Front

339-309



Service Kit, RB to TB Conversion; Replaces 2 RB-295 & 4 RB-328 w/Threaded Pins and Bushings; Front w/4" Springs

339-310



Service Kit, RB to TB Conversion; Replaces 2 RB-308 & 4 RB-324 w/Threaded Pins and Bushings; Front w/4" Springs

339-311



Service Kit, RB to TB Conversion; Replaces (6) RB-308 w/Threaded Pins and Bushings; Front w/4" Springs

339-312



Service Kit, RB to TB Conversion; Replaces (6) RB-295 w/ Threaded Pins and Bushings; Front w/4" Springs

345-905



Track Rod; 25 9/16" Lg. c/c, 0°/0°; non-replacable bushing; Late models w/"twisted Sister" type spring

PAD-101



Tip Insert, Urethane; Front w/4" Springs

RB-268, RB-268U



Bushing, Anti-walk; Model Air Glide 210 - Low Air "Twisted Sister"

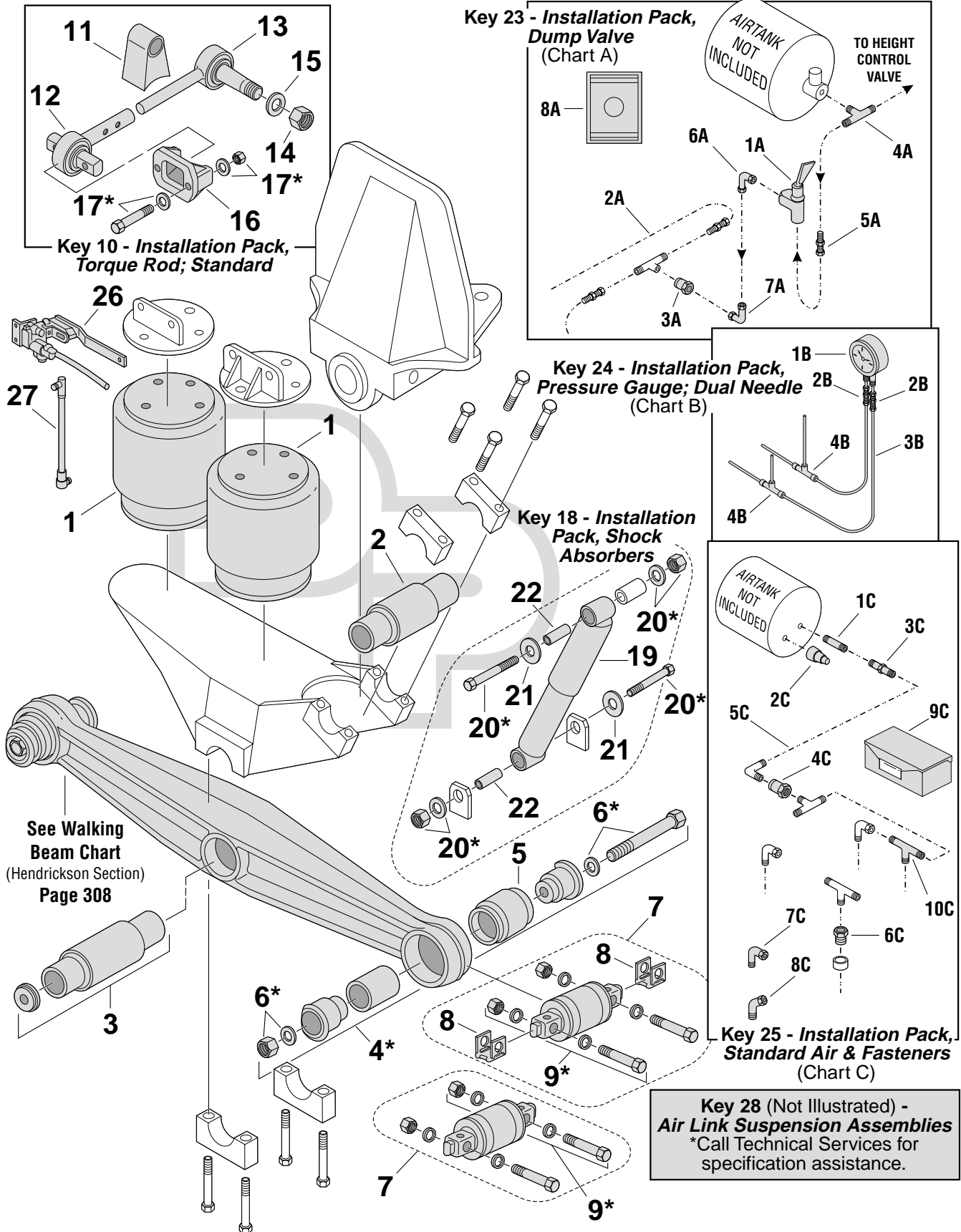
SCB-260



Center Bolt, 3/4"-16 x 4 1/2" Lg., Special Head; Model Air Trac

Raydan/ Meritor/ Link

Suspension Illustration



See Walking Beam Chart (Hendrickson Section) Page 308

Key 28 (Not Illustrated) - Air Link Suspension Assemblies
*Call Technical Services for specification assistance.

Key No.	Part Number	Description	No. Req.	OEM Reference	Remarks
	1	SP Air Spring	4	21100030	
✓✓	2	321-377 Bushing, Lever Pivot	2	20600071, ALHB	
✓✓	3	321-123 Bushing, Beam Center; Rubber; Loose Plug	2		
●		321-123U Bushing, Beam Center; Urethane	2		
●		321-124 Bushing, Beam Center; Rubber; Welded Plug	2		
✓✓	4	334-381 Kit, Bushing & Adapter	4		
✓✓	5	321-126 Bushing, Beam End; Rubber; 5 3/4"Lg	4		
●		321-126U Bushing, Beam End; Urethane	4		
	6	334-788 Assembly, Bolt; 3/4"-16 x 6 1/2"Lg	4		
●	7	334-830 Kit, Service; Bar Pin Bushing; Non Shim	4		Incl. Bar Pin Bushing & Mounting Hdwe.
●		334-830U Bushing, Urethane; Non Shim	4		
✓✓	●	334-831 Kit, Service; Bar Pin Bushing; Shim Type	4		Incl. Bar Pin Bushing, Alignment Shims & Mounting Hdwe.
●		334-831U Kit, Service; Urethane Bar Pin Bushing; Shim Type	4		
✓✓	●	334-1957 Kit, Service; Rotating Bar Pin Bushing; Shim Type	4	34013-188	Incl. Bolts & Shims
●	8	334-879 Shim; 3/16"	AR		
●		334-880 Shim; 1/8"	AR		
●		334-881 Shim; 3/8"	AR		
✓	9	334-832 Assembly, Bolt; 1"-8 x 6"Lg Grade 8	8		
	10	334-800007 Installation Pack, Torque Rod; Standard	1	80800007, AL800007	
	11	334-800088 Bracket, Differential	2	80000088, AL800088	
✓✓	12	345-610 End, Torque Rod; Straddlemount; Female	2		5/8" Bolts; 4 3/8" Spacing c/c
		345-742 End, Torque Rod; Straddlemount; Heavy Duty	2		Full Ball Style; 5/8" Bolts; 4 3/8" Spacing c/c
✓	13	345-681 End, Torque Rod; Taper Stud; Male; 22 1/2"	2		1 1/4"-12; 2.90" Taper
		345-738 End, Torque Rod; Taper Stud; Full Ball	2		1 1/4"-12; 2.90" Taper
✓✓	14	334-192 Nut, Lock; 1 1/4"-12	2		
	15	334-194 Washer; 1 3/16"ID x 2 1/4"OD x 1/4"Thk	2		
✓✓	●	338-181 Bracket, Track Rod/Frame	2		For 5/8" Bolts
	17	334-1317 Assembly, Bolt; 5/8"-11 x 5"Lg	4		Incl. Bolt & Hdwe.
	18	334-800001 Installation Pack, Shock Absorbers	1	80800001, AL800001	
	19	M74075 Shock Absorber	2		
✓✓	20	334-1105 Assembly, Bolt; 3/4"-10 x 3 1/2"Lg	2		
		334-1446 Bolt; 3/4"-16 x 7"Lg	2		
	21	334-495 Washer; 1 3/16"ID x 2"OD x 1/8"Thk	4	20101045	
	22	M10244 Sleeve; 3/4" x 1" x 1 7/8"	4	31180134	
	23	334-800004 Installation Pack, Dump Valve	1	80800004, AL800004	
	24	334-800005 Installation Pack, Pressure Gauge; Dual Needle	1	80800005, AL800005	
	25	334-800029 Installation Pack, Standard Air & Fasteners	1	80800029, AL800029	
✓	●	26 334-1580 Valve, Height Control; Integral Dump	2	20302025, AL800075	
✓✓	●	27 334-751 Linkage Assembly; Universal; Adjustable	2		3 5/8"-19 5/8" Range
	28	339-AL460 Kit, Suspension; AL460; Standard; 17 1/2"	AR	94680010, AL846010	Contact Tech Services for Assistance
		339-AL460E Kit, Suspension; AL460; Eaton; 17 1/2"	AR	94680011, AL846011	Contact Tech Services for Assistance
		339-AL520 Kit, Suspension; AL520; Standard; 17 1/2"	AR	95280010, AL850010	Contact Tech Services for Assistance
		339-AL520H Kit, Suspension; AL520; High Block; 19 1/2"	AR	95280012, AL852012	Contact Tech Services for Assistance

Chart A - Installation Pack, Dump Valve

Key	Part No.	Description	Qty.
1A	*	Valve, Control	1
2A	12-08004	Tubing	50 ft.
3A	12-40503	Fitting, Bulkhead; 1/4" NPT	1
4A	12-09961	Fitting, Tee	2
5A	12-09923	Fitting; 1/8" NPT x 1/4" SYN STR	3
6A	12-09934	Fitting; 1/8" x 1/4" SYN 90°	1
7A	12-09935	Fitting; 1/4" x 1/4" SYN 90°	1
8A	*	Decal, Dash	1

*Only available in assembly. Not sold separately.

Chart B - Installation Pack, Pressure Gauge; Dual Needle

Key	Part No.	Description	Qty.
1B	*	Gauge, Air; Dual Needle	1
2B	12-12601+	Fitting; 1/8" Tube + Fitting; 1/4" Female Pipe	2
3B	12-08004	Tubing	1
4B	12-09961	Fitting; 1/8" NPT x 1/4" SQN Tee	2

*Only available in assembly. Not sold separately.

Note: See Air Fitting component information on Pages 1042-1047.

Chart C - Installation Pack, Standard Air & Fasteners

Key	Part No.	Description	Qty.
1C	12-11204	Fitting, Close Nipple	1
2C	12-11005	Fitting, Reducer	1
3C	12-09924	Fitting; 1/4" NPT x 1/4"	1
4C	12-40503	Bulkhead; 1/4" NPT	1
5C	12-08004	Tubing; 1/4"	25 ft.
6C	*	Fitting	2
7C	12-09935	Fitting; 1/4" NPT x 1/4"; 90°	5
8C	*	Fitting; 1/4" NPT x 1/4"; 45°	2
9C	*	Hardware Pack	1
10C	12-09962	Fitting, Tee; SQN 1/4" NPT x 1/4"	3

*Only available in assembly. Not sold separately.

321-123U



Bushing, Beam Center; Urethane; Model Air Link 460/520

321-124



Beam Center Bushing, Rubber; Welded Plug; Model Air Link 460/520

321-126, 321-126U



Beam End Bushing; 5 3/4" Lg.; Model Air Link 460/520

334-751



Linkage Assembly, Universal Adjustable; 3 5/8"-19 5/8" Range; Model Air Link 460/520

334-830



Service Kit, Bar Pin Bushing; Non Shim; Incl. Bar Pin Bushing & Mounting Hdwe.; Model Air Link 460/520

334-830U



Bushing, Urethane; Non Shim; Model Air Link 460/520

334-831



Service Kit, Bar Pin Bushing; Shim Type; Incl. Bar Pin Bushing, Alignment Shims & Mounting Hdwe.; Model Air Link 460/520

334-831U



Service Kit, Urethane Bar Pin Bushing; Shim Type; Model Air Link 460/520

334-879



Shim; 3/16"; Model Air Link 460/520

334-880



Shim; 1/8"; Model Air Link 460/520

334-881



Shim; 3/8"; Model Air Link 460/520

334-1580



Valve, Integral Dump, Height Control; w/Integral Dump Valve; Model Air Link 460/520

334-1957



Service Kit, Rotating Bar Pin Bushing; Shim Type; Incl. bolts & shims; Model Air Link 460/520

338-181



Bracket, Track Rod/Frame; For 5/8" Bolts; Model Air Link 460/520

Raydan/ Meritor/ Link

Component Photos

Notes

Raydan/ Meritor/ Link

Raydan/ Meritor/ Link

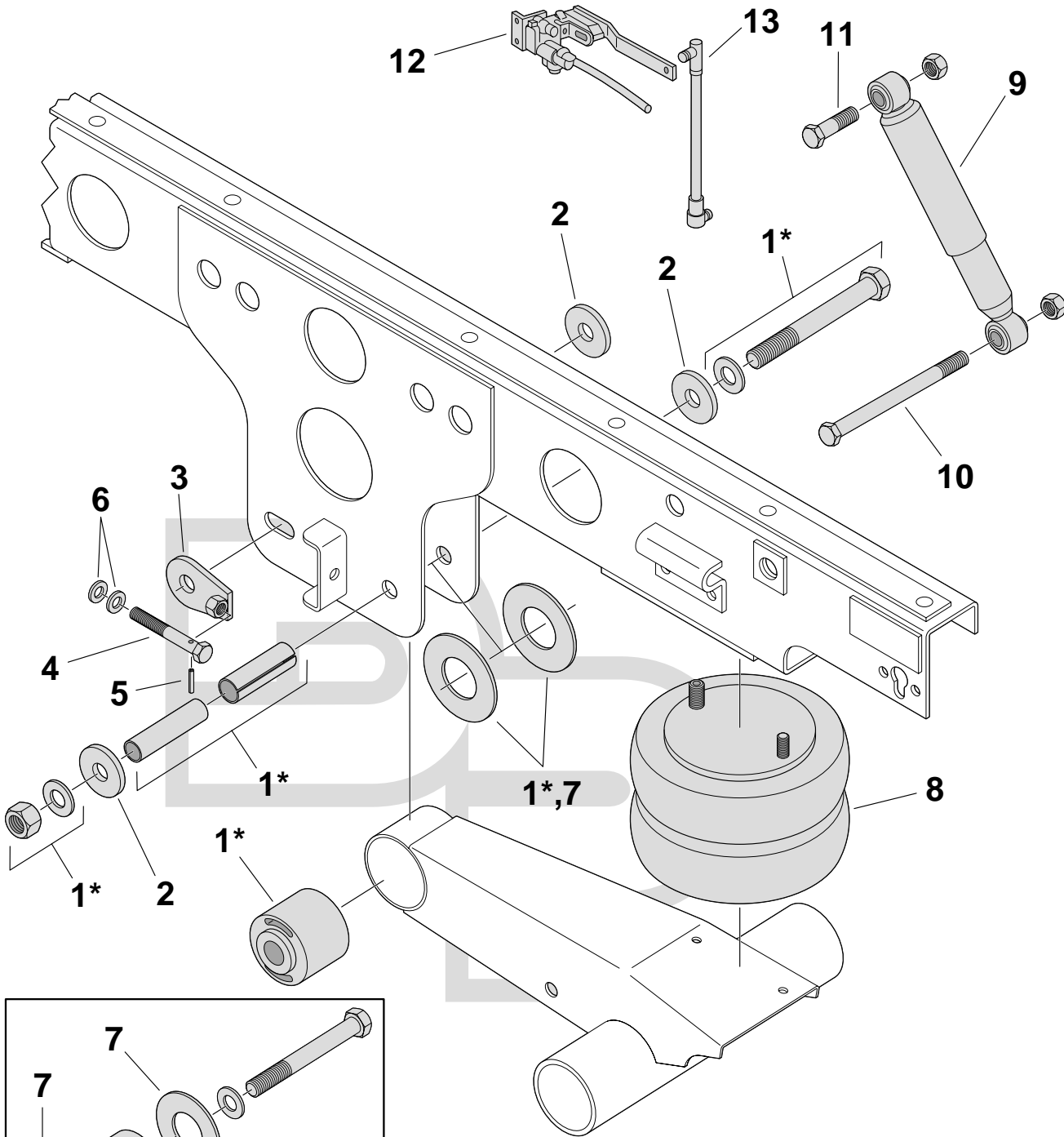
Notes

MODEL	PAGE
20AR/RS3162/DockMaster II Trailer/Slider Air Suspension	802, 803
Model 21 Tandem Four Spring Trailer Suspension	804, 805
21AR Single/Tandem Axle Trailer Air Suspension	806, 807
Model 21B/21B-FAB Tandem Four Spring Trailer Suspension	808-811
23/25/30AR Single/Tandem Axle Trailer Air Suspension	812, 813
Model 25 Tandem Four Spring Trailer Suspension	814, 815
Models 31/41 Tandem Four Spring Trailer Suspension	816, 817
Model 45 Tandem Four Spring Trailer Suspension	818, 819
74AR Single/Tandem Axle Trailer Air Suspension	820, 821
74B (74A Canada) (50", 60", 64" Axle Spacing) Trailer Four Spring Suspension	822, 823
74B (74A Canada) (72", 77", 97", 109" Axle Spacing) Wide Spread Trailer Four Spring Suspension	824, 825
79KB Single Axle Tractor Suspension	826, 827
Model 83 (Canada) (50" - 109" Axle Spacing) Trailer Four Spring Suspension	828-831
Models 86/88/89 Trailer Four Spring Air Suspensions	832-835
86AR - Single/Tandem Axle Trailer Air Suspension	836, 837
Model 101 (Torque Leaf) Tractor Four Spring Suspension	838, 839
Model 101A (Torque Rods) Tractor Four Spring Suspension	840, 841
Model 102 (Torque Rods) Tractor Four Spring Suspension	842, 843
Model 102W (Torque Rods) Tractor Four Spring Suspension	844, 845
102AR Single/Tandem Axle Tractor Air Suspension	846, 847
102CC Single Axle Tractor Suspension	848, 849
Models 181 and 101F Tractor Four Spring Suspensions	850, 851
Model 201 Tractor Four Spring Suspension	852, 853
240AR Single/Tandem Axle Tractor Air Suspension	854, 855
Full Suspension Packages (Suspension-In-A-Box)	858, 859
Hanger Chart	856, 857
Suspension Component Photos	860-880

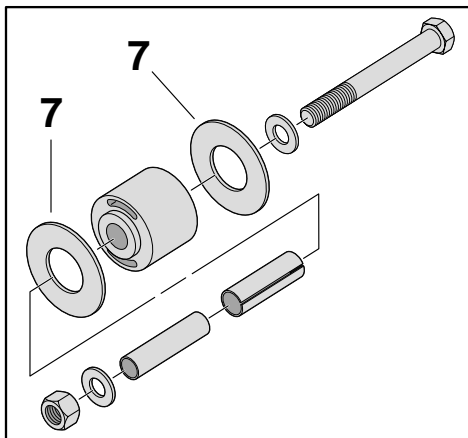
**20AR/RS3162/DockMaster II
Trailer/Slider
Air Suspension**

Reyco

Reyco



Suspension Illustration



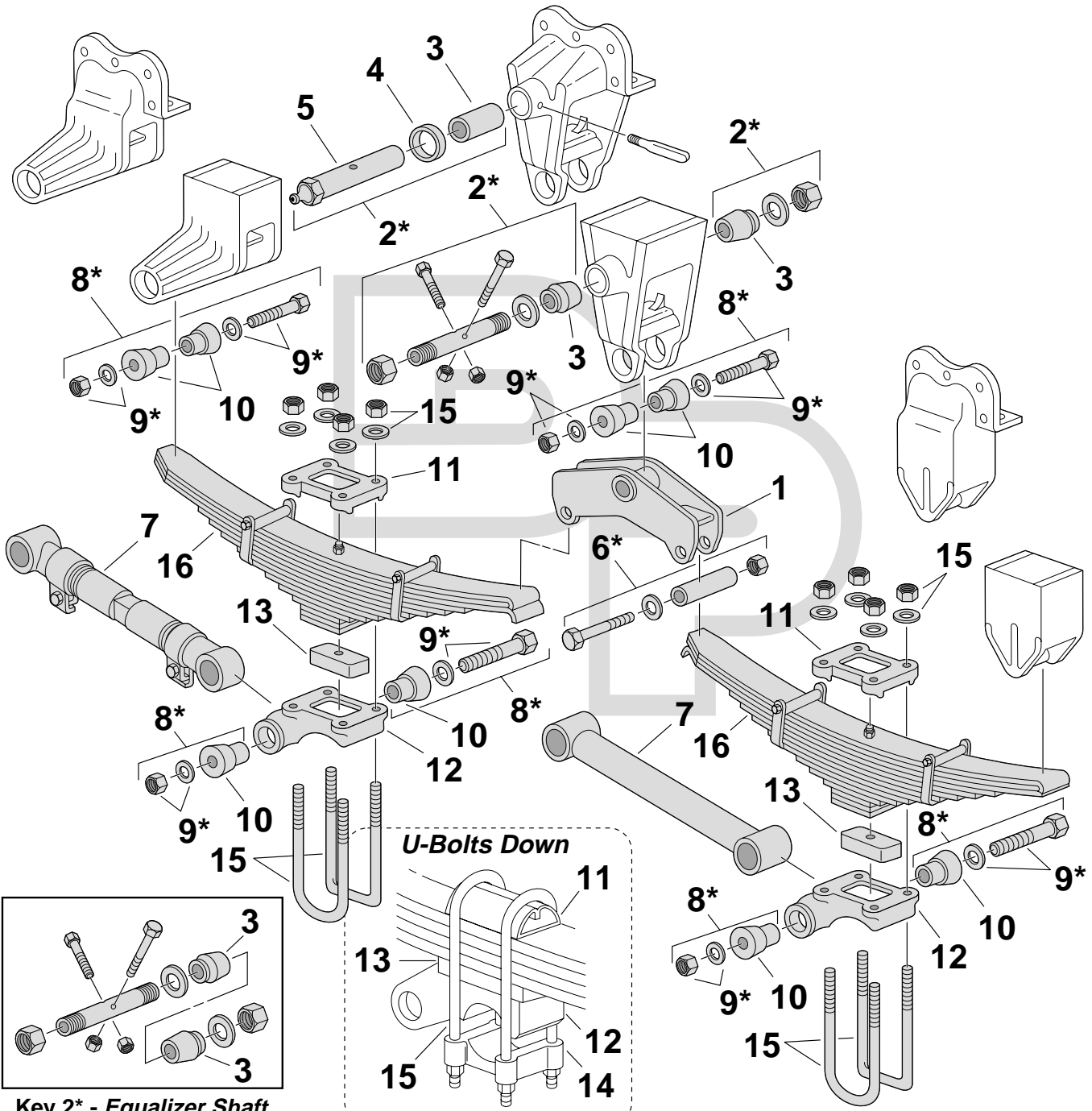
Key 1* - Bolt Kit, Service

Key No.	Part Number	Description	No. Req.	OEM Reference	Remarks
● 1	334-2223	Kit, Service; Pivot	4	K704656	Single Beam
	334-2224	Washer, Flange	6	23656-02	
● 3	334-2225	Adjuster, REY-ALIGN®	2	23673-02	
	334-1771	Bolt, Adjustment; Alignment	2	24398-01	
	SP	Spring Pin; Coiled	2	24553-01	
	334-166	Washer, Hard Flat; 3/4"	4		
✓	334-898	Washer; 2 3/8"ID x 7 1/4"OD x 3/16"Thk	8		
	354-7555	Air Spring	4	20018-01	
✓	M66886	Shock Absorber	4	18163-01	
	334-1231	Bolt; 3/4"-16 x 10"Lg	4	1027645	
✓✓	334-1105	Assembly, Bolt; 3/4"-10 x 3 1/2"Lg	4		Incl. Bolt & Hdwe.
	334-2226	Valve, Height Control	1	706235-01	
✓ ●	334-751	Linkage Assembly; Universal; Adjustable	1	HPB450-3	3 5/8"-19 5/8" Range; Use w/All Height Control Valves

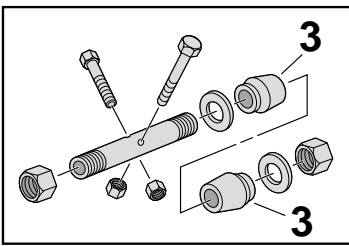
**Model 21
Tandem Four Spring
Trailer Suspension**

Reyco

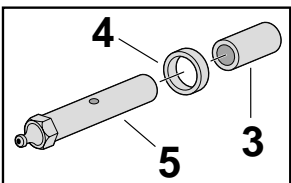
Reyco



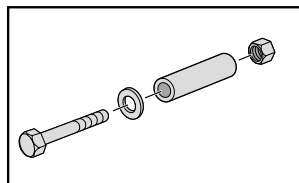
Suspension Illustration



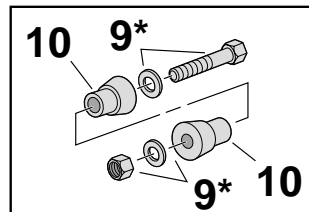
Key 2* - Equalizer Shaft & Bushing Assembly



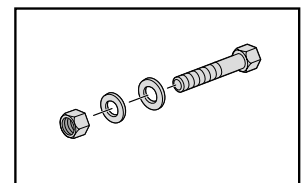
Key 2* - Equalizer Shaft & Bushing Assembly (Greasable)



Key 6* - Spring Rebound Kit



Key 8* - Torque Rod Bolt & Bushing Assembly



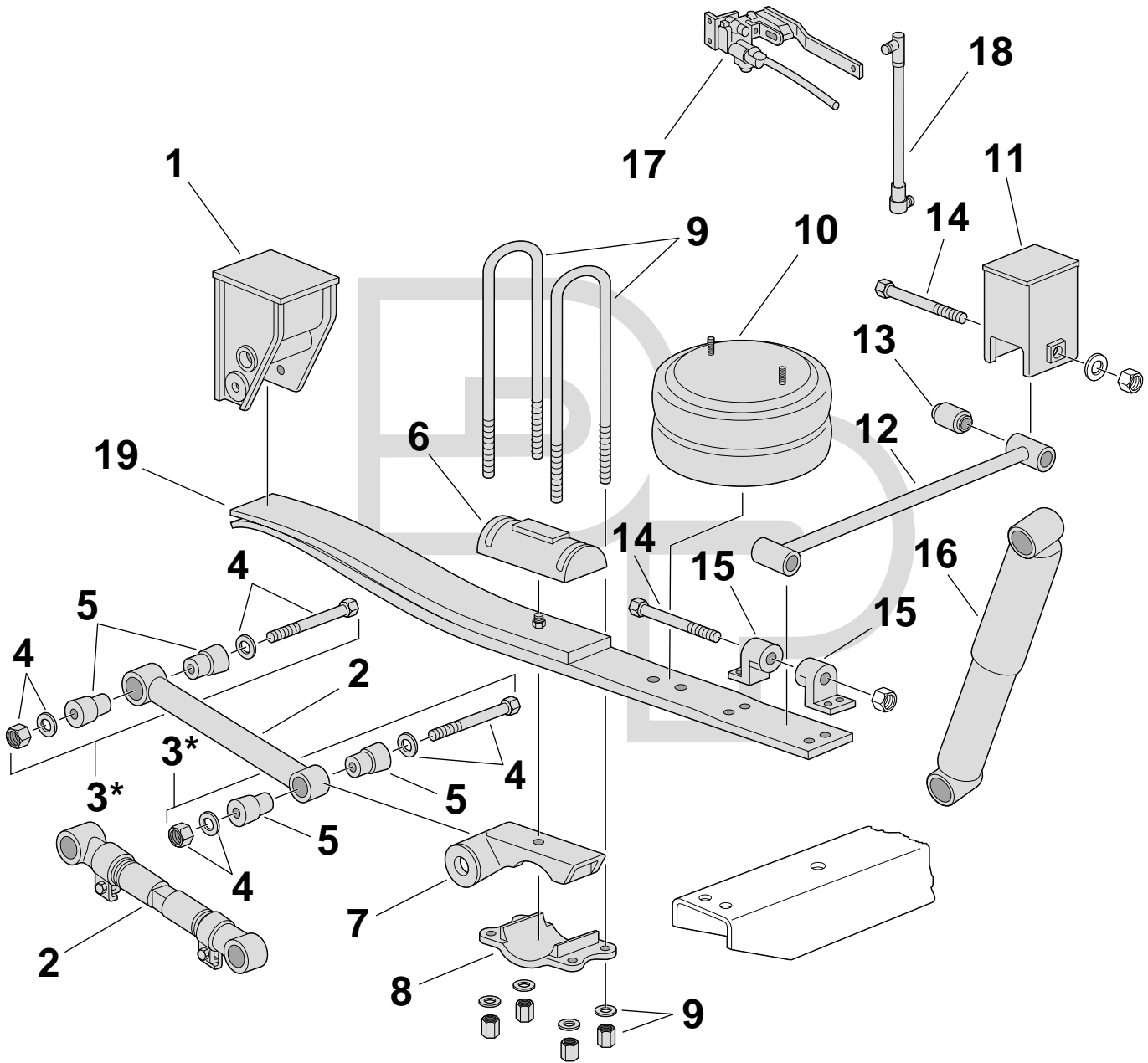
Key 9* - Torque Rod Bolt Assembly

Key No.	Part Number	Description	No. Req.	OEM Reference	Remarks	
●	1	338-224	Assembly, Equalizer	2	T2162X	Models 21-3 & 21-5; 2-Pc. Rubber Bushing
●		338-225	Assembly, Equalizer; Greasable	2	T2214X	Incl. Bushing & Seals
✓	2	334-226	Assembly, Shaft & Bushing	2		Incl. Shaft, Bushings, Lock Nuts, Washers & Lock Bolt Assemblies
		334-1005	Assembly, Shaft & Bushing; Greasable	2		Obsolete
✓ ●	3	321-149	Bushing	4	T-2102	
		321-149U	Bushing, Urethane	4		Discontinued
●		322-111	Bushing	2	T1708	Obsolete
●	4	334-220	Seal; 2"ID x 2 5/8"OD x 1/4"Thk	2	T2167	
	5	334-1006	Shaft	2	T2211	
✓✓	6	334-201	Kit, Rebound; 1/2"-20 x 4 3/4"Lg	4	TK19011	Incl. Tube, Bolt, Washer & Nut
✓✓ ●	7	345-199	Torque Rod, Adjustable; 15"-17 1/4"Lg	2	15172-01	Use 321-147 Bushings; Not Included
✓✓ ●		345-198	Torque Rod, Adjustable; 19 1/2"-21 3/4"Lg	2	15174-01	Use 321-147 Bushings; Not Included
✓✓ ●		345-105	Torque Rod, Adjustable; 18 3/4"-19 1/2"Lg	2	15173-01	Use 321-147 Bushings; Not Included
●		345-109	Torque Rod, Adjustable; 21 3/4"-24"Lg	2	15175-01	Use 321-147 Bushings; Not Included
✓ ●		345-110	Torque Rod, Rigid; Cast; 16 1/4"Lg, c/c	2	15178-01, T7635	Use 321-147 Bushings; Not Included
●		345-111	Torque Rod, Rigid; 16 1/2"Lg, c/c	2	T7637	Use 321-147 Bushings; Not Included
✓ ●		345-112	Torque Rod, Rigid; Cast; 18 7/8"Lg, c/c	2	15179-01, T2293	Use 321-147 Bushings; Not Included
●		345-113	Torque Rod, Rigid; 19 1/4"Lg, c/c	2	T7645	Use 321-147 Bushings; Not Included
●		345-121	Torque Rod, Rigid; 21"Lg, c/c	2	15012-01	Use 321-147 Bushings; Not Included
✓✓	8	334-253	Assembly, Bolt & Bushing	8		Incl. 334-644 Bolt, (2) 321-147 Bushings & Hdwe.
	9	334-218	Assembly, Bolt; 1"-14 x 6 3/4"Lg	8	14181-01	Incl. Bolt & Hdwe.
✓✓ ●	10	321-147	Bushing; 1"ID x 1 3/4"OD x 2 1 1/16"Lg	16	T2242	
		321-147U	Bushing, Urethane	16		
✓ ●	11	338-200	Saddle, U-Bolt; 3"W x 7 3/4"Lg x 1 3/4"H	4	08677-01	7/8" or 3/4" U-Bolts Down
●		338-202	Plate, Top Clamp; U-Bolt; 4"W x 5 3/8"Lg c/c - 4" x 6" Axle	4	T4069	Obsolete
✓ ●		338-203	Plate, Top Clamp; U-Bolt; 3 7/8"W x 5 7/8" c/c - 5" Rd. & Eaton 5" Sq. Axles	4	T7175	
	12	338-244	Seat, Axle; Front & Rear; 5" Round Axles	4	09677-01	Use 338-205
✓	13	338-221	Spacer; 3"W x 7 1/2"Lg x 1"Thk	4	T7716	
✓		338-222	Spacer; 3"W x 7 1/2"Lg x 1 1/2"Thk	4	T7654	
✓		338-223	Spacer; 3"W x 7 1/2"Lg x 2"Thk	4	T7655	
●	14	338-214	Plate, Top Clamp; U-Bolt; 3 7/8"W x 5 7/8"Lg c/c - 5" Round Axle	4	09139-01	
✓✓	15	361-258	Kit, U-Bolt; Round Bend, Grade 8	8	08511-01	7/8" x 5 1/8" x 11 7/8" R
✓		361-559	Kit, U-Bolt; Round Bend, Grade 8	8	08512-01	7/8" x 5 1/8" x 12 7/8" R
✓✓		361-254	Kit, U-Bolt; Round Bend, Grade 8	8	08515-01	7/8" x 5 1/8" x 13 7/8" R
		361-509	Kit, U-Bolt; Round Bend, Grade 5	8	08525-01	7/8" x 5 1/8" x 17 7/8" R
		See Charts	Kit, U-Bolt	8	Various	See Chart on Page 1051
	16	Spring Assembly	Assembly, Spring	4		See Leaf Spring Web Catalog for Details

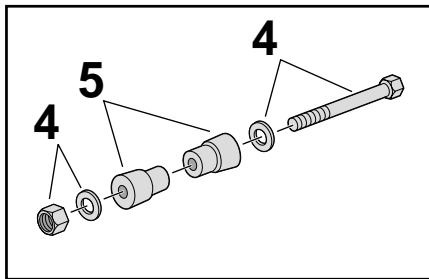
**21AR
Single/Tandem Axle
Trailer Air Suspension**

Reyco

Reyco



Suspension Illustration



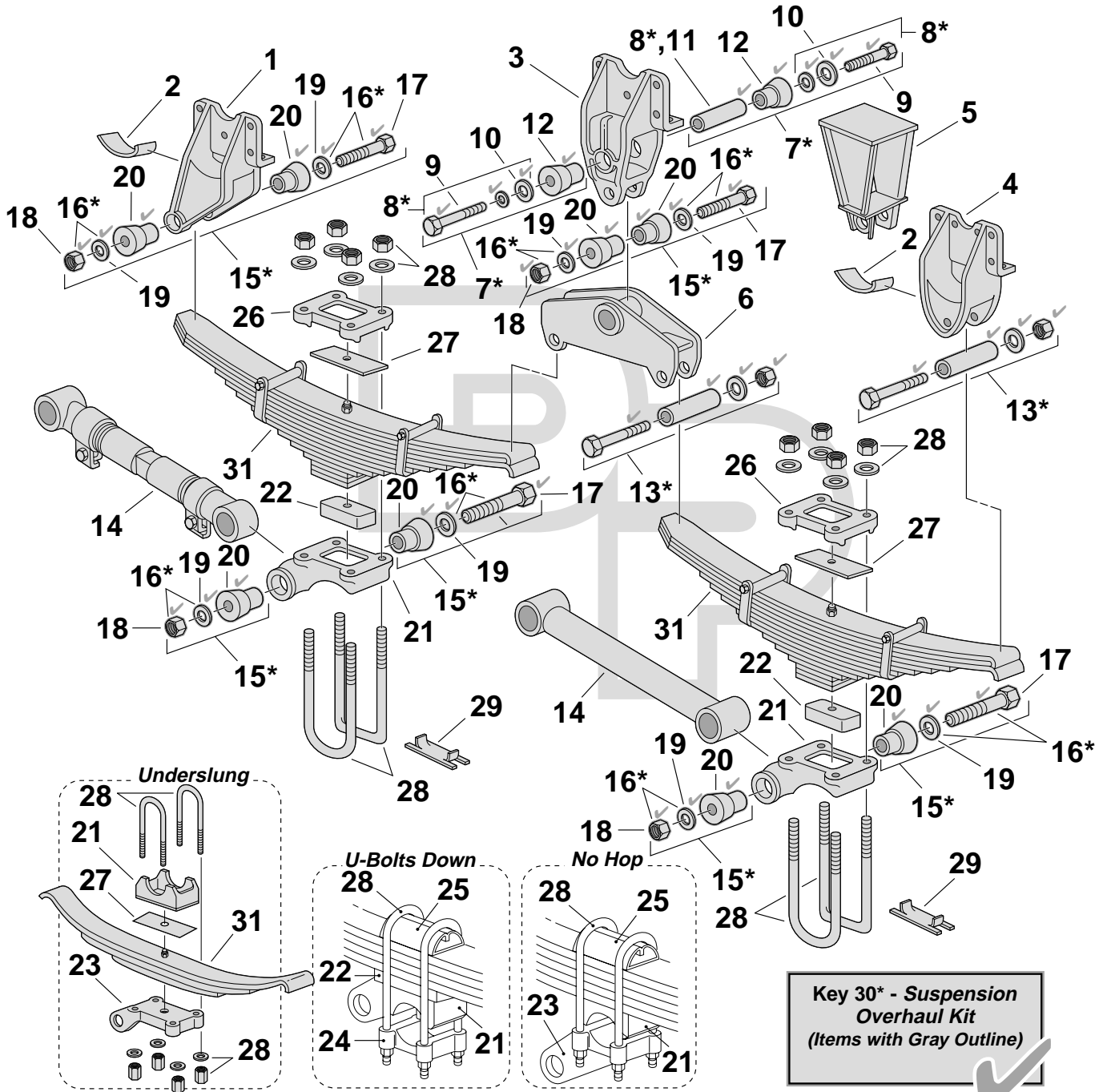
Key 3 - Torque Rod Bolt & Bushing Assembly

Key No.	Part Number	Description	No. Req.	OEM Reference	Remarks
✓ ●	1 338-1677	Hanger, Fabricated	2	09832-01	
●	2 345-110	Torque Rod, Rigid; Cast; 16 1/4"Lg c/c	1	15178-01, T7635	Use 321-145; Bushings Not Included
✓✓ ●	345-199	Torque Rod, Adjustable; 15"-17 1/4"Lg	1	15172-01	Use 321-145, 321-147, 321-157 or 321-158; Bushings Not Included
✓✓	3 334-252	Assembly, Bolt & Bushing	4	TK18997	Incl. Bolt, Bushings & Hdwe.
	334-252U	Assembly, Bolt & Bushing; Urethane	4		Incl. Bolt, Bushing & Hdwe.
	4 334-206	Assembly, Bolt; 1"-14 x 7"Lg	4		Incl. Bolt & Hdwe.
✓✓ ●	5 321-145	Bushing; 1"ID x 1 13/16"OD x 3"Lg	8	T5493	
✓ ●	6 338-200	Saddle, U-Bolt; 3"W x 7 3/4"Lg x 1 3/4"H	2	08677-01	7/8" or 3/4" U-Bolts Down
	7 338-1653	Bracket, Torque Rod/Seat; 1", 5" Round Axle	2	20051-01	14" Mounting Hgt.
	338-1654	Bracket, Torque Rod/Seat; 2 1/4", 5" Round Axle	2	20051-02	15 1/4" Mounting Hgt.
	338-1655	Bracket, Torque Rod/Seat; 3 1/2", 5" Round Axle	2	20051-03	16 1/2" Mounting Hgt.
✓ ●	8 338-214	Plate, Bottom Clamp; U-Bolt; 3 7/8"W x 5 7/8"Lg c/c, 5" Round Axle	2	09139-01	
✓✓	9 361-248	Kit, U-Bolt; Round Bend, Grade 5	4	08494-01	7/8" x 3" x 12 1/2" R
✓✓	361-566	Kit, U-Bolt; Round Bend, Grade 5	4	08495-01	7/8" x 3" x 13 1/2" R
✓	361-584	Kit, U-Bolt; Round Bend, Grade 5	4	21090-150	7/8" x 3" x 15 1/2" R
	10 354-7557	Air Spring	2	19983-01	
	11 338-1644	Bracket, Frame; Track Rod	1	18919-01	
	12 345-768	Track Rod, Rigid	1	20012-01	38" Frames; Incl. 321-153 Bushings
	345-770	Track Rod, Rigid	1	20969-01	40" Frames; Incl. 321-153 Bushings
	SP	Track Rod, Rigid	1	20314-01	42" Frames; Incl. 321-153 Bushings
	SP	Track Rod, Rigid	1	10910-01	48" Frames; Incl. 321-153 Bushings; Can Use 345-710, Adjustable
✓✓ ●	13 321-153	Bushing; 7/8"ID x 1 29/32"OD x 3"Lg	2	09729-01	
✓ ●	321-153U	Bushing, Urethane	2		
✓	14 334-244	Bolt; 7/8"-9 x 5 1/2"Lg	2	10033-01	
●	15 338-1460	Bracket, Track Rod	2	21491-01	
✓	16 M66893	Shock Absorber	2		
✓✓ ●	17 334-750	Valve, Height Control; Universal	1		
✓✓ ●	18 334-751	Linkage Assembly; Universal; Adjustable	1		3 5/8"-19 5/8" Range; Use w/All Height Control Valves
	19 TRA-3375	Spring, Leaf; LH	1	19879-01	See Leaf Spring Web Catalog for Details
	TRA-3376	Spring, Leaf; RH	1	19880-01	See Leaf Spring Web Catalog for Details

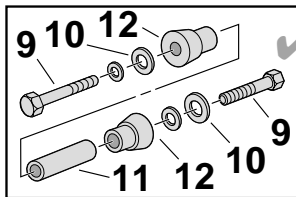
**Model 21B/21B-FAB
Tandem Four Spring
Trailer Suspension**

Reyco

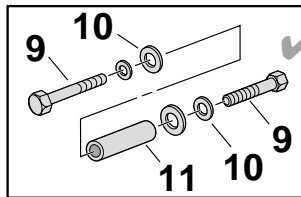
Reyco



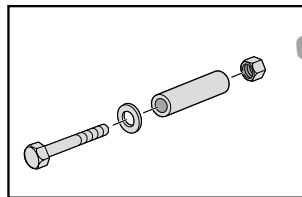
Suspension Illustration



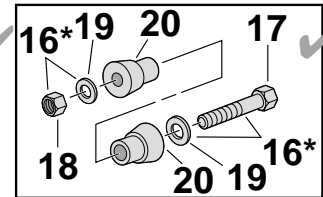
Key 7* - Equalizer Shaft & Bushing Assembly



Key 8* - Equalizer Shaft Assembly



Key 13* - Spring Rebound Kit



Key 15* - Torque Rod Bolt & Bushing Assembly

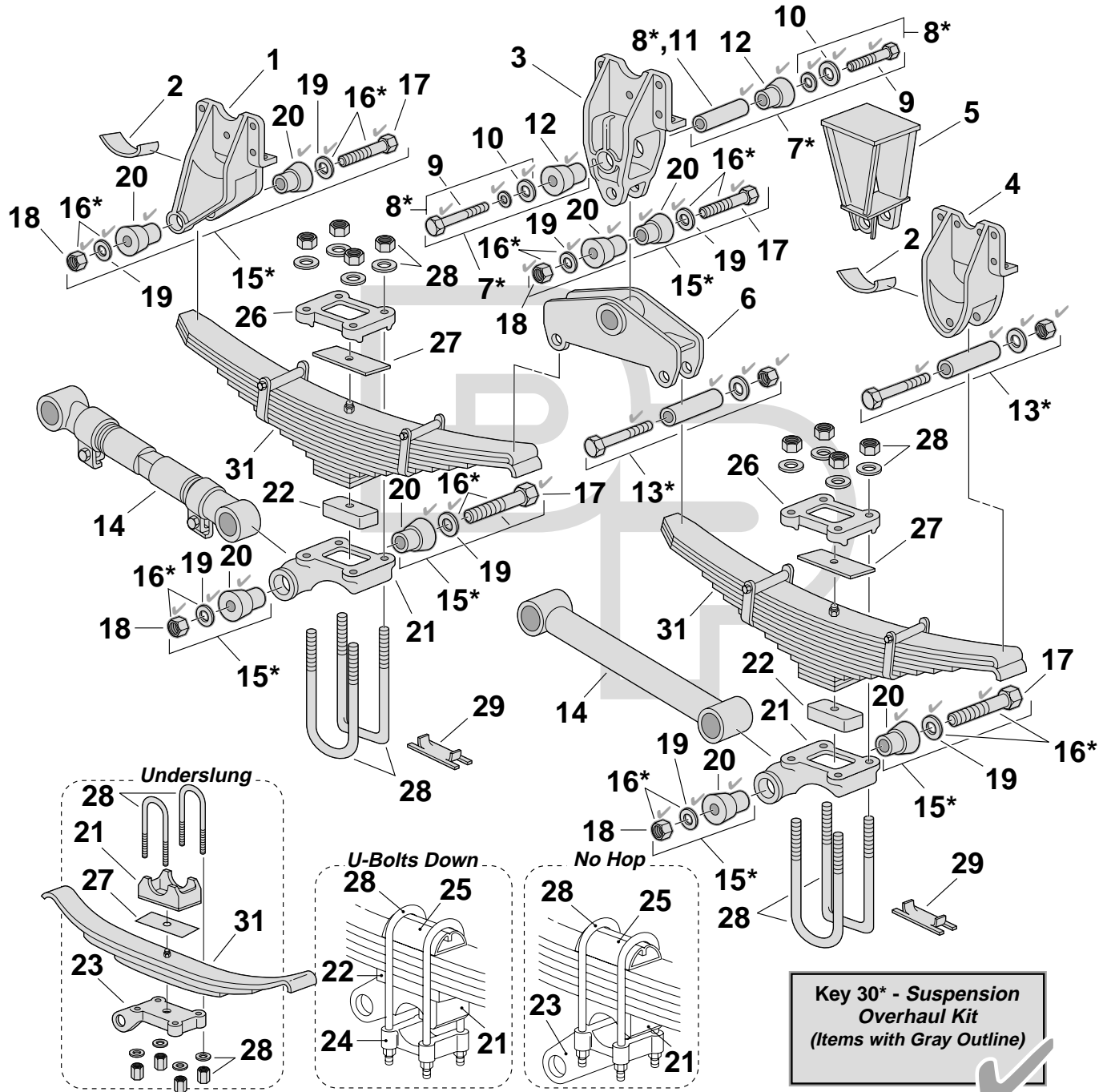
Key 30* - Suspension Overhaul Kit
(Items with Gray Outline)
SEE CHECKMARKS

Key No.	Part Number	Description	No. Req.	OEM Reference	Remarks	
✓✓●	1	338-188	Hanger; Flangemount; LH	1	T5425	Standard Drill Pattern
✓✓●		338-189	Hanger; Flangemount; RH	1	T5424	Standard Drill Pattern
✓✓●		338-190	Hanger; Undermount; LH	1	T5563	Weld-On
✓✓●		338-191	Hanger; Undermount; RH	1	T5562	Weld-On
●		338-2064	Hanger; Undermount; LH/RH	2	20478-01	Lite Weight; Cast Weld-On
●		338-1677	Hanger; Fabricated	2	09832-01	Undermount
		338-2250	Hanger; Undermount; LH/RH	1	24022-01	Lite Weight w/Wear Pad
✓✓	2	334-903	Pad, Wear	4	15630-01	Except Lite Weight
●	3	338-192	Hanger; Flangemount	2	T5426	Standard Drill Pattern
✓✓●		338-193	Hanger; Undermount	2	T5564	Weld-On
●		338-1679	Hanger; Fabricated	2	14684-01	Undermount
●		338-1428	Hanger	2	T2212-3	Cast; Flangemount; 54"-65 1/2" Axle Spacing
●		338-1429	Hanger	2	T2212-5	Cast; Undermount; 54"-65 1/2" Axle Spacing
●		338-1449	Hanger	2	11150-01	Cast; 72" - 109" Axle Spacing
●		338-1450	Hanger	2	14688-01	Fabricated; 72" - 109" Axle Spacing
●	4	338-194	Hanger; Flangemount; LH	1	T5429	Standard Drill Pattern
✓✓●		338-195	Hanger; Flangemount; RH	1	T5428	Standard Drill Pattern
●		338-196	Hanger; Undermount; LH	1	T5565	Cast; Weld-On
●		338-197	Hanger; Undermount; RH	1	T5566	Cast; Weld-On
●		338-2065	Hanger; Undermount; LH/RH	2	20476-01	Lite Weight; Cast Weld-On
●		338-1678	Hanger; Fabricated	2	08595-01	Undermount
●		338-2251	Hanger; Undermount; LH/RH	1	24023-01	Lite Weight w/Wear Pad
	5	338-1639	Bracket, Torque Rod	2	11610-01	Widespread Only; 72", 97" & 109" Axle Spacing
✓✓●	6	338-199	Equalizer	2	T5427	49" Axle Spacing; Cast Hanger
✓		338-1869	Equalizer; ADI	2	21725-01	49" Axle Spacing; Cast Hanger
✓●		338-1447	Equalizer	2	14689-01	49" Axle Spacing; Fabricated Hanger
✓✓●		338-1369	Equalizer; Heavy Duty	AR	12045-01	Off-Road & Multi Axle Applications
●		338-1672	Equalizer	2	10180-01	54" Axle Spacing; Cast Hanger
●		338-1674	Equalizer	2	14693-01	54" Axle Spacing; Fabricated Hanger
●		338-1442	Equalizer	2	09713-01	60" Axle Spacing; Cast Hanger
✓●		338-1448	Equalizer	2	14696-01	60" Axle Spacing; Fabricated Hanger
●		338-1673	Equalizer	2	10978-01	63 1/2"-65 1/2" Axle Spacing; Cast Hanger
●		338-1675	Equalizer	2	14700-01	63 1/2"-65 1/2" Axle Spacing; Fabricated Hanger
●		338-1443	Equalizer	2	11143-01	72" Axle Spacing; Cast Hanger
●		338-1676	Equalizer	2	14763-01	72" Axle Spacing; Fabricated Hanger
		SP	Equalizer	2	14764-01	97" Axle Spacing; Fabricated Hanger
		SP	Equalizer	2	14765-01	109" Axle Spacing; Fabricated Hanger
		SP	Equalizer	2	21693-01	44" Axle Spacing; Fabricated Hanger
		338-1871	Equalizer; ADI	2	25222-01	42" & 44" Axle Spacing; Cast Hanger
		338-1870	Equalizer; ADI	2	21725-02	Use w/Composite Springs
✓✓	7	334-211	Assembly, Shaft & Bushing	2	TK18998	Cast Hangers; Standard; Incl. Shaft, Bushing, Bolts, Washers & Hdwe.
✓		334-1264	Assembly, Shaft & Bushing	2	TK16657	21B-FAB; Incl. 321-305 Bushing
	8	334-212	Assembly, Shaft	2		Cast Hangers; Standard; Incl. Shaft, Bolts, Washers & Hdwe.
	9	334-209	Bolt; 1"-8 x 2 1/2"Lg	4	14248-01	
	10	334-208	Washer, Compression; 1 1/16"ID x 3 3/4"OD x 3/8"Thk	4	14249-01	Cast Hangers; Standard
		334-1007	Washer; 2 1/2"ID x 4 3/4"OD, 1/4"Thk	2	T2103	Cast Hangers; Wide Spread; 54", 60", 63 1/2" & 65 1/2" Axle Spacing
		334-1009	Washer; 1 17/32"ID x 3"OD, 1/2"Thk	2	T2403	Cast Hangers; Wide Spread; 72"-108" Axle Spacing
●	11	334-207	Shaft, Equalizer 1 5/8"OD x 8 5/8"Lg	2	14247-01	Cast Hangers; Standard
✓✓		334-1027	Shaft; 1 1/4"-12 x 7 3/4"Lg	2	14683-01	Fabricated Hangers; All Spacing
●		334-223	Shaft; 2 1/2"OD x 12 1/2"Lg	2	T2158	Cast Hangers; Wide Spread; 54", 60", 63 1/2" & 65 1/2" Axle Spacing
●		334-1262	Shaft; 2"OD x 9 1/4"Lg, 1 1/2"-6 Thread	2	11147-01	Cast Hangers; Wide Spread; 72" - 108" Axle Spacing
✓✓●	12	321-146	Bushing; 1 5/8"ID x 3 1/2"OD x 4 7/16"Lg	4	T5524	Cast Hangers; Standard
		321-146U	Bushing, Urethane	4		
●		321-149	Bushing	4	T2102	Cast Hangers; Wide Spread; 54", 60", 63 1/2" & 65 1/2" Axle Spacing
		321-149U	Bushing, Urethane	4		
✓●		321-154	Bushing; 2"ID x 3 1/8"OD x 4 1/4"Lg	2	T3214	Cast Hangers; Wide Spread; 72"-109" Axle Spacing
●		321-154U	Bushing, Urethane	2		
✓✓●		321-305	Bushing	2	14682-01	Fabricated Hangers; All Spacings
✓	13	334-201	Kit, Rebound; 1/2"-20 x 4 3/4"Lg	6	TK19011	Incl. Tube, Bolt, Washer & Nut

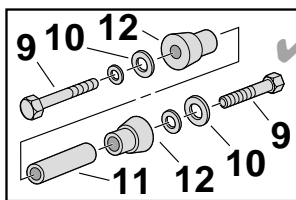
**Model 21B/21B-FAB
Tandem Four Spring
Trailer Suspension**

Reyco

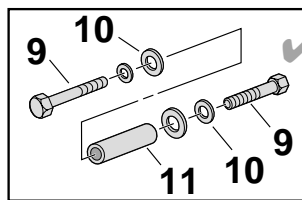
Reyco



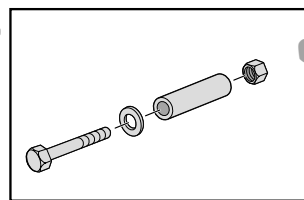
Suspension Illustration



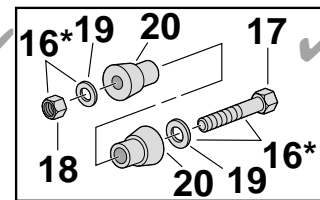
Key 7* - Equalizer Shaft & Bushing Assembly



Key 8* - Equalizer Shaft Assembly



Key 13* - Spring Rebound Kit



Key 15* - Torque Rod Bolt & Bushing Assembly

**Key 30* - Suspension Overhaul Kit
(Items with Gray Outline)**

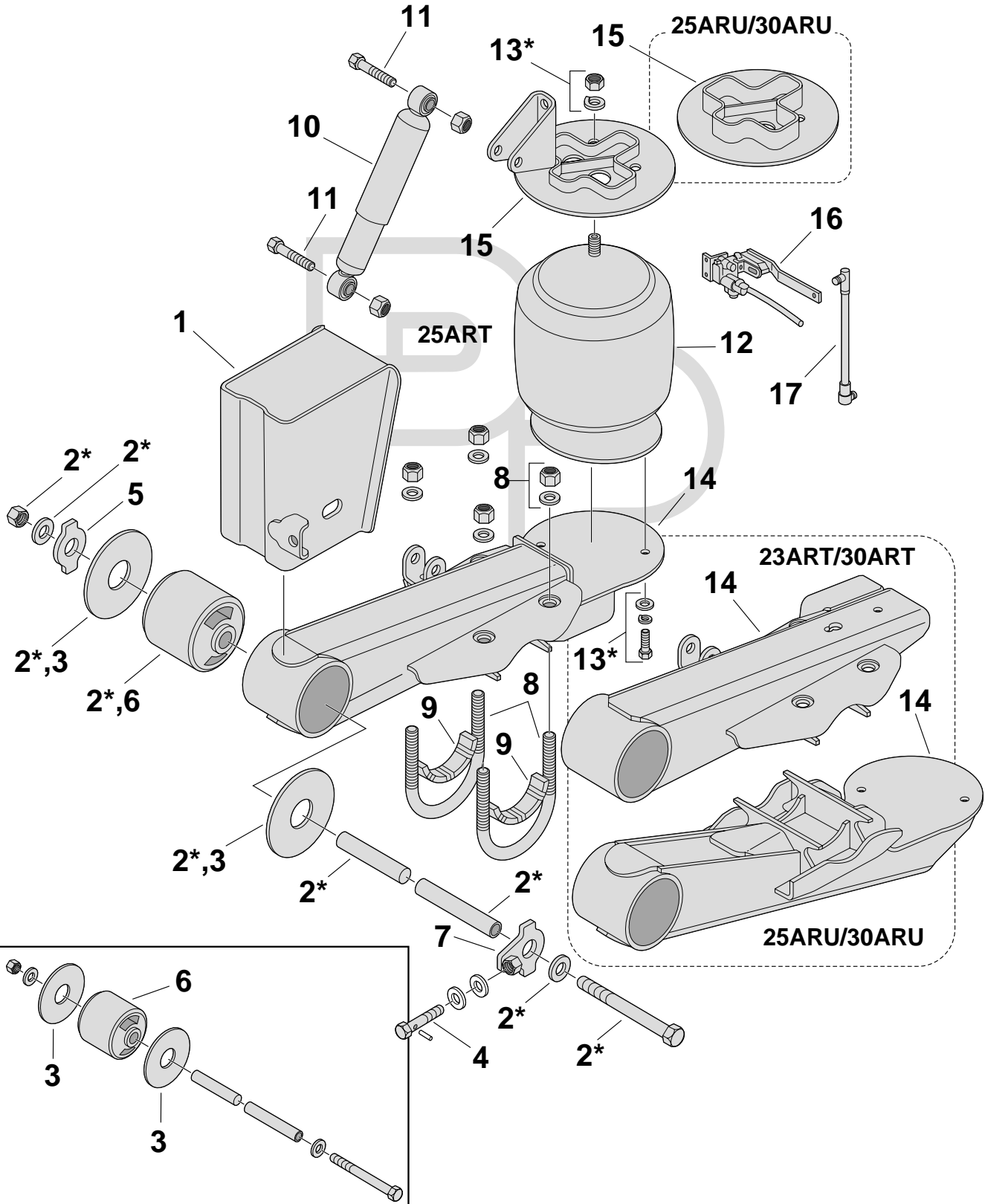
SEE CHECKMARKS

Key No.	Part Number	Description	No. Req.	OEM Reference	Remarks
✓✓●	14 345-199	Torque Rod, Adjustable; 15"-17 1/4"Lg	1	15172-01	Use 321-145 Bushings
✓✓●	345-105	Torque Rod, Adjustable; 18 3/4"-19 1/2"Lg	1	15173-01	Use 321-145 Bushings
✓✓●	345-198	Torque Rod, Adjustable; 19 1/2"-21 3/4"Lg	1	15174-01	Use 321-145 Bushings
●	345-697	Torque Rod, Adjustable; 24"-26 1/4"Lg	1	15176-01	Use 321-145 Bushings
●	345-698	Torque Rod, Adjustable; 26 1/4"-28 1/2"Lg	1	15177-01	Use 321-145 Bushings
✓●	345-110	Torque Rod, Rigid; Cast; 16 1/4"Lg, c/c	1	15178-01, T7635	Use 321-145 Bushings; Can Use 345-199
✓●	345-112	Torque Rod, Rigid; Cast; 18 7/8"Lg, c/c	1	15179-01, T2293	Use 321-145 Bushings; Can Use 345-198
	345-689	Torque Rod, Rigid; 19 3/8"Lg c/c	1	15286-01	Use 321-145 Bushings; Can Use 345-105
	345-859	Torque Rod, Rigid; 21 9/16"Lg c/c	1	10183-01	Use 321-145 Bushings; Can Use 345-198
	SP	Torque Rod, Rigid 25"Lg c/c	1	09686-01	Use 345-697
	345-761	Torque Rod, Rigid; 26 1/4"Lg c/c	1	10973-01	Use 321-145 Bushings; Can Use 345-698
	SP	Torque Rod, Rigid 27 1/4"Lg c/c	1	08650-01	Use 345-698
✓✓	15 334-252	Assembly, Bolt & Bushing	8	TK18997	Incl. 334-203 Bolt, (2)321-145 Bushings & Hdwe.
	16 334-206	Assembly, Bolt; 1"-14 x 7"Lg	8		Incl. Bolt & Hdwe.
✓✓	17 334-203	Bolt; 1"-14 x 7"Lg	8	T5492	
	18 334-153	Nut, Lock; 1"-14	8		Can Use SLN-107
✓	19 334-205	Washer, Compression; 1 1/16"ID x 2 3/4"OD x 1/4"Thk	16	T2224	
✓✓●	20 321-145	Bushing; 1"ID x 1 1/16"OD x 3"Lg	16	T5493	
✓	321-145U	Bushing, Urethane	16		
✓✓●	21 338-205	Bracket, Seat; Torque Rod; 3/4", 5" Round Axle	4	09730-01	
●	338-206	Bracket, Seat; Torque Rod; 1 3/4", 5" Round Axle	4	11336-01	Discontinued; Use 338-205 & 338-221
	338-1982	Bracket, Seat; Torque Rod; 3 1/4", 5" Round Axle	4	08757-01	
●	338-207	Bracket, Seat; Torque Rod; 3/4", 4"x 6" Axle	4	T7650	Obsolete
✓✓●	338-209	Bracket, Seat; Torque Rod; 3/4", 5" Square Axle	4	07980-01	
	SP	Seat, Spring; 3 1/4", 5" Square Axles	4	08060-01	
●	338-739	Seat; 3/4", No Hop	2	10114-01, T3329	No Hop or Underslung
●	338-212	Bracket, Seat; Torque Rod; 5" Square Axles; No Hop	4	09103-01	No Hop & Underslung
	SP	Seat, Spring; 3/4", 4"x 6" Rectangular Axles	4	10292-01	No Hop & Underslung
✓✓	22 338-221	Spacer; 3"W x 7 1/2"Lg x 1"Thk	4	24081-01, T7716	
✓	338-222	Spacer; 3"W x 7 1/2"Lg x 1 1/2"Thk	4	24082-01, T7654	
✓	338-223	Spacer; 3"W x 7 1/2"Lg x 2"Thk	4	24083-01, T7655	
●	23 338-217	Bracket, Stabilizer; 5" Round Axle	2	08480-01, T5481	No Hop
●	338-218	Bracket, Stabilizer; 5" Square Axle	2	08061-01	No Hop
●	338-246	Bracket, Bottom Plate; Torque Rod	4	T5727	Underslung
✓●	24 338-214	Plate, Bottom Clamp; U-Bolt; 3 7/8"W x 5 7/8"Lg c/c, 5" Round Axle	4	09139-01	U-Bolts Down
●	338-216	Plate, Bottom Clamp; U-Bolt; 3 15/16"W x 6 1/4"Lg c/c, 5" Square Axle	4	09229-01	U-Bolts Down
✓✓●	338-415	Plate, Bottom Clamp; U-Bolt; Fabricated	4	18877-01, 0538-00	U-Bolts Down
●	338-215	Plate, Bottom Clamp; U-Bolt; 4"x 6" Axle	4	09230-01	U-Bolts Down
✓✓●	25 338-200	Saddle, U-Bolt; 3"W x 7 3/4"Lg x 1 3/4"H	4	08677-01	
✓✓●	338-381	Saddle, U-Bolt; Fabricated; 3"W x 7 1/2"Lg	4	1606-00, 0077-00	U-Bolts Down
●	26 338-203	Plate, Top Clamp; U-Bolt; 3 7/8"W x 5 7/8" c/c, 5" Rd. & Eaton 5" Sq. Axles	4	T7175, T5488	U- Bolts Up
●	338-1530	Plate, Top; 5" Square Axles	4	T1734	U- Bolts Up
●	338-202	Plate, Top Clamp; U-Bolt; 4"W x 5 3/8"Lg c/c, 4" x 6" Axle	4	T4069	U- Bolts Up
	27 GL-294	Liner; 2 7/8" x 7 1/2"Lg w/1/2" Hole	4		
	GL-295	Liner; 2 7/8" x 8"Lg w/7/8" Hole	4		
✓✓	28 361-218	Kit, U-Bolt; Round Bend, Grade 5	8		7/8" x 3" x 14 1/2" R
✓✓	361-168	Kit, U-Bolt; Round Bend, Grade 8	8		7/8" x 3" x 16 1/2" R
✓	361-250	Kit, U-Bolt; Round Bend, Grade 5	8		7/8" x 3" x 18 1/2" R
✓	361-258	Kit, U-Bolt; Round Bend, Grade 8	8		7/8" x 5 1/8" x 11 7/8" R
✓	361-254	Kit, U-Bolt; Round Bend, Grade 8	8		7/8" x 5 1/8" x 13 7/8" R
✓	361-558	Kit, U-Bolt; Round Bend, Grade 5	8		7/8" x 5 1/8" x 15 7/8" R
	See Chart	Kit, U-Bolt	8		See Chart on Page 1051
●	29 338-219	Clip, U-Bolt; 4"x 6" Axle	8	T7560	Obsolete
●	338-220	Clip, U-Bolt; 5" Square Axle	8	T5587	Obsolete
	30 339-108	Kit, Maintenance; Reyco 21B	1		Standard, Cast Hangers; Incl. (2)334-211, (8)334-252 & (6)334-201
	31 Spring Assembly	Assembly, Spring	4		See Leaf Spring Web Catalog for Details

**23/25/30AR
Single/Tandem Axle
Trailer Air Suspension**

Reyco

Reyco



Suspension Illustration

Key 2* - Service Kit, Pivot Connection

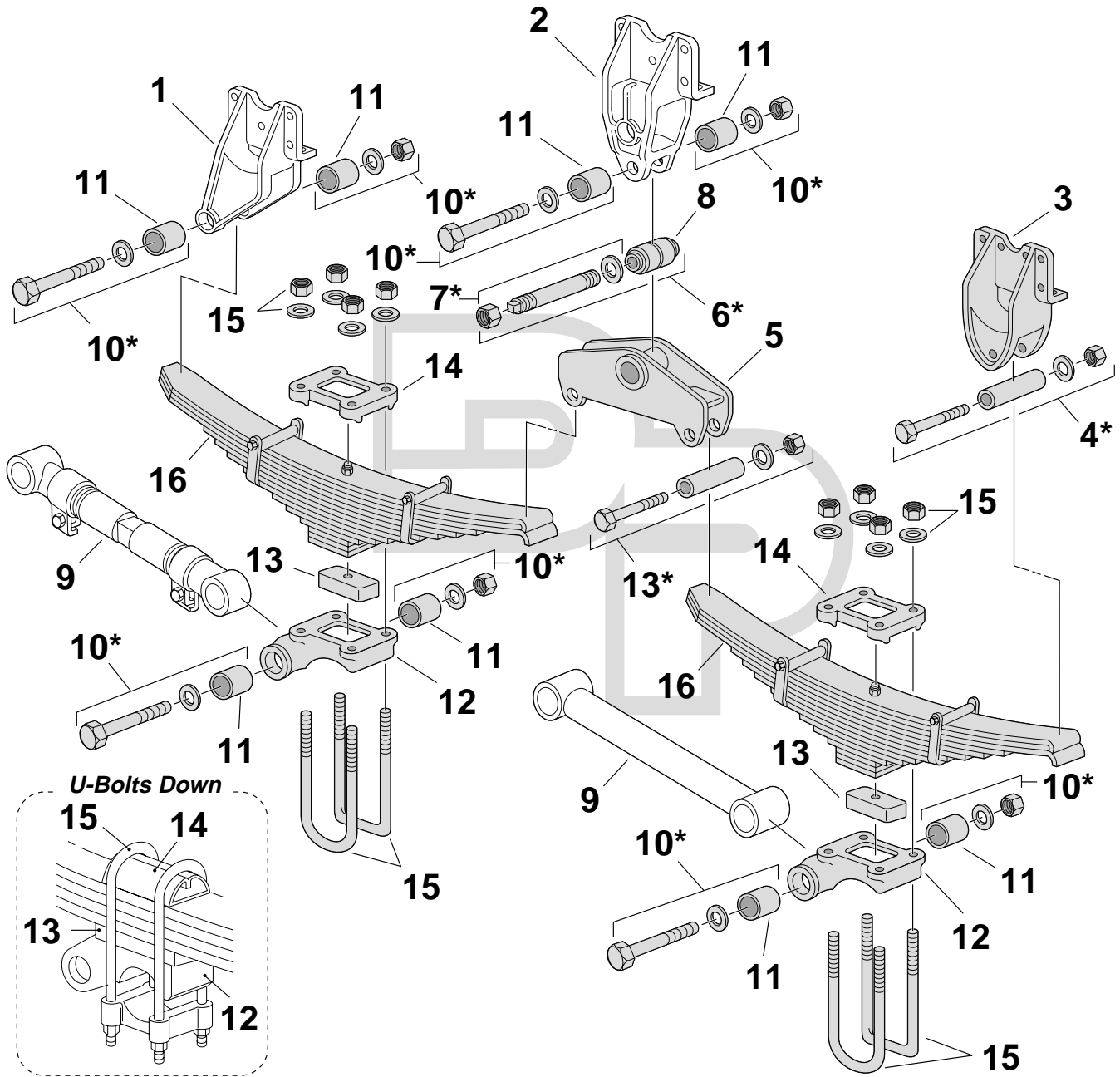
Key Numbers with an asterisk (*) indicate a kit or assembly.

Key No.	Part Number	Description	No. Req.	OEM Reference	Remarks
	SP	Hanger	2	Various	Specify LH/RH, Model, Ride Hgt. & REY-ALIGN® or Bolted Pivot
✓ ●	339-265	Kit, Service; Pivot Connection; REY-ALIGN®	2	K701163-1	(1) Beam; 7/8" Bolt
●	339-266	Kit, Service; Pivot Connection; Bolted	2	K701311	(1) Beam; 1 1/8" Bolt
●	334-1730	Kit, Spacer; Severe Service	4	K70221805	
●	334-1771	Bolt, Adjustment; Alignment	2	24398-01	
●	334-1772	Collar, Alignment	2	23656-01	Opposite REY-ALIGN®
✓ ●	321-385	Bushing	2	23421-01	
●	334-1811	Assembly, Yoke; REY-ALIGN®	1	23673-01	
	361-631	Kit, U-Bolt	4	TK23961	
●	338-1941	Spacer, U-Bolt/Axle	4	23939-01	
	M65500	Shock Absorber	2	23523-01	Consult Shock Catalog for Model Specific Applications
	M65501	Shock Absorber	2	23524-01	
✓	M66502	Stabilizer	2	23553-01	
	See Shocks	Shock Absorber	2	Various	
	334-1818	Kit, Bolt; Shock Absorber	2	TK23535	
	352-8740	Air Spring	2	23433-01	23ARTU
	352-8856	Air Spring	2	23521-02	25ARTU & 25ARUU-6.5/14.0
✓	352-9082	Air Spring	2	12882-01	25ARUU-6.5
✓✓	352-9101	Air Spring	2	12883-01	30ARUU
	354-7555	Air Spring	1	20018-01	Top Lift; Not Shown
	354-7557	Air Spring	2	19983-01	Front Lift; Not Shown
	352-8855	Air Spring	2	704671-01	25AR
	334-1819	Kit, Mounting; Air Spring	2	TK23658	23, 25AR & 25ARU
	334-1820	Kit, Mounting; Air Spring	2	TK23532	30AR
	334-1821	Kit, Mounting; Air Spring	2	TK24778	30ARU
	SP	Assembly, Beam	2	Various	Specify Model & LH/RH
	SP	Assembly, Top Plate; Air Spring	2	Various	Specify Model & Ride Hgt.
✓✓ ●	334-750	Valve, Height Control; Universal	1		
✓ ●	334-751	Linkage Assembly; Universal; Adjustable	1		3 5/8"-19 5/8" Range; Use w/All Height Control Valves

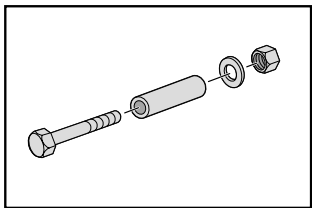
**Model 25
Tandem Four Spring
Trailer Suspension**

Reyco

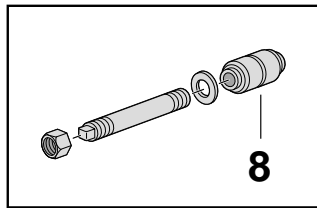
Reyco



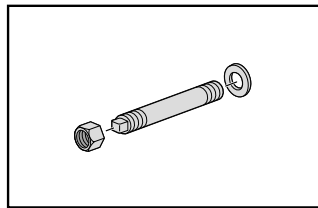
Suspension Illustration



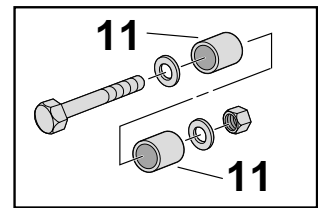
**Key 4* - Spring
Rebound Kit**



**Key 6* - Equalizer
Shaft & Bushing
Assembly**



**Key 7* - Equalizer
Shaft Assembly**



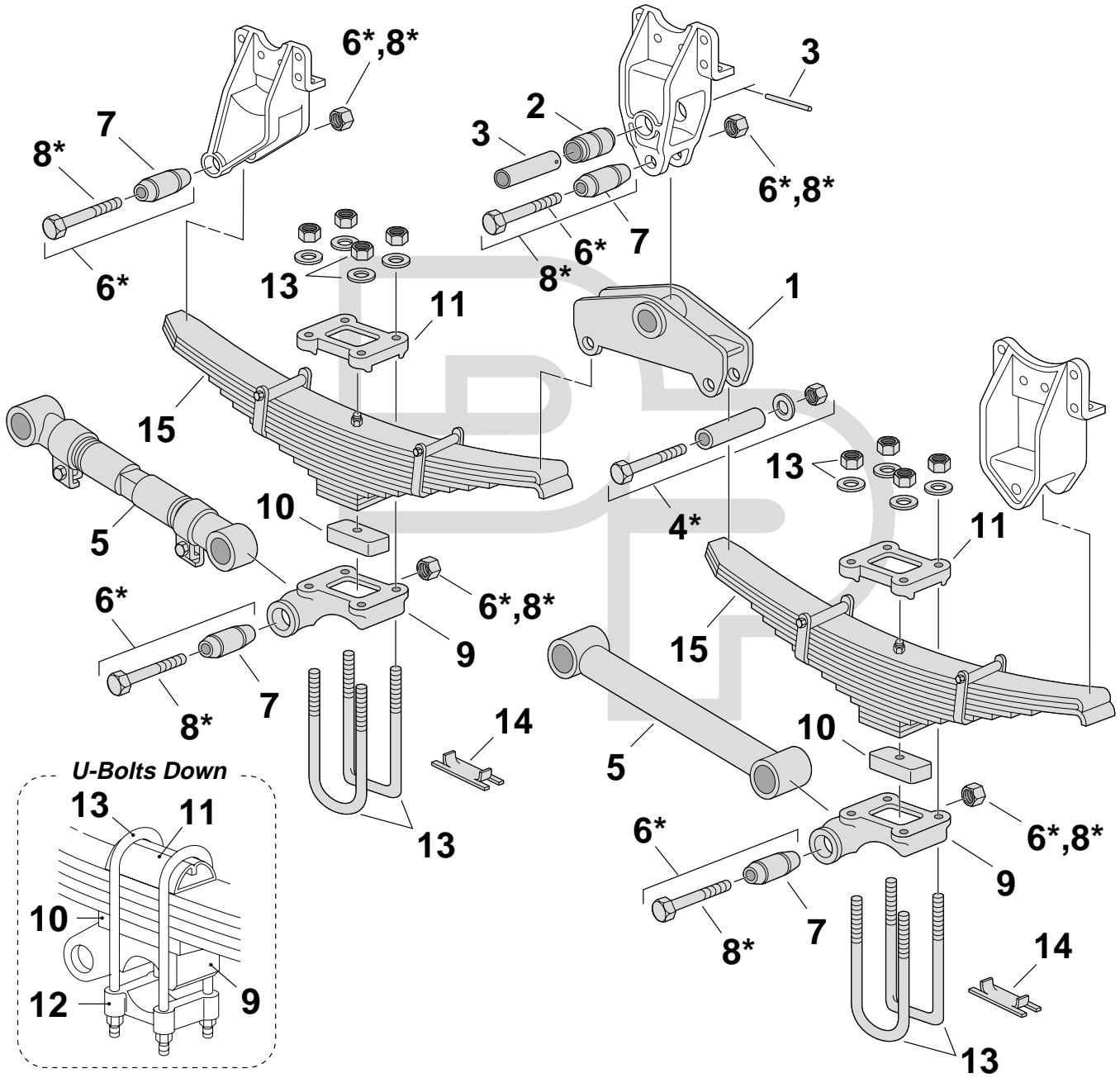
**Key 10* - Torque Rod
Bolt & Bushing
Assembly**

Key No.	Part Number	Description	No. Req.	OEM Reference	Remarks
	◆	Hanger, Front	2	Various	Obsolete
	◆	Hanger, Center	2	Various	Obsolete
●	338-197	Hanger, Rear; RH	1	T5566	Undermount
●	338-196	Hanger, Rear; LH	1	T5565	Undermount
●	338-195	Hanger, Rear; RH	1	T5428	Flangemount
●	338-194	Hanger, Rear; LH	1	T5429	Flangemount
✓✓	334-201	Kit, Rebound; 1/2"-20 x 4 3/4"Lg	6	TK19011	Incl. Tube, Bolt, Washer & Nut
●	338-231	Assembly, Equalizer	2	09524-01	Model 25; Incl. Bushing
	334-243	Assembly, Shaft & Bushing; Standard, Pre-1984	2	TK19056	Incl. 334-240 Shaft Assy. & 321-152 Bushing
✓✓	334-240	Assembly, Shaft; Standard	2		Incl. Shaft, Nut & Lock Washer
✓●	321-152	Bushing; 1 1/2"ID x 3 1/8"OD x 4 7/16"Lg	2	08363-01	w/Slots
	◆	Torque Rod, Adjustable/Rigid	4	Various	Obsolete
	334-254	Assembly, Bolt & Bushing	8		Incl. 334-235 Bolt, (2)321-150 Bushings & Hdwe.
✓	321-150	Bushing; 7/8"ID x 1 5/8"OD x 2 7/8"Lg	16	T5708	
●	321-150U	Bushing, Urethane	16		
	SP	Seat, Torque Rod Bracket	4	Various	
✓✓	338-221	Spacer; 3"W x 7 1/2"Lg x 1"Thk	4	T7716	
✓	338-222	Spacer; 3"W x 7 1/2"Lg x 1 1/2"Thk	4	T7654	
✓	338-223	Spacer; 3"W x 7 1/2"Lg x 2"Thk	4	T7655	
✓✓●	338-200	Saddle, U-Bolt; 3"W x 7 3/4"Lg x 1 3/4"H	4	08677-01	7/8" or 3/4" U-Bolts Down
●	338-202	Plate, Top Clamp; U-Bolt; 4"W x 5 3/8"Lg c/c, 4" x 6" Axle	4	T4069	Obsolete
●	338-203	Plate, Top Clamp; U-Bolt; 3 7/8"W x 5 7/8" c/c, 5" Rd. & Eaton 5" Sq. Axles	4	T7175	
✓✓	361-258	Kit, U-Bolt; Round Bend, Grade 8	8	08511-01	7/8" x 5 1/8" x 11 7/8" R
✓	361-559	Kit, U-Bolt; Round Bend, Grade 8	8	08512-01	7/8" x 5 1/8" x 12 7/8" R
✓✓	361-254	Kit, U-Bolt; Round Bend, Grade 8	8	08515-01	7/8" x 5 1/8" x 13 7/8" R
	361-509	Kit, U-Bolt; Round Bend, Grade 5	8	08525-01	7/8" x 5 1/8" x 17 7/8" R
	See Chart	Kit, U-Bolt	8		See Chart on Page 1051
16	Spring Assembly	Assembly, Spring	4		See Leaf Spring Web Catalog for Details

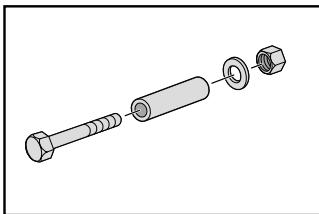
**Models 31/41
Tandem Four Spring
Trailer Suspension**

Reyco

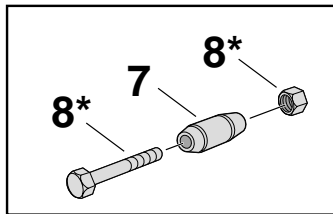
Reyco



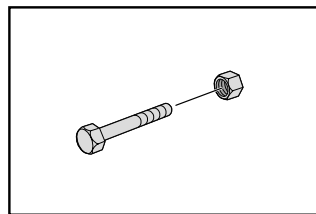
Suspension Illustration



Key 4* - Spring Rebound Kit



Key 6* - Torque Rod Bolt & Bushing Assembly



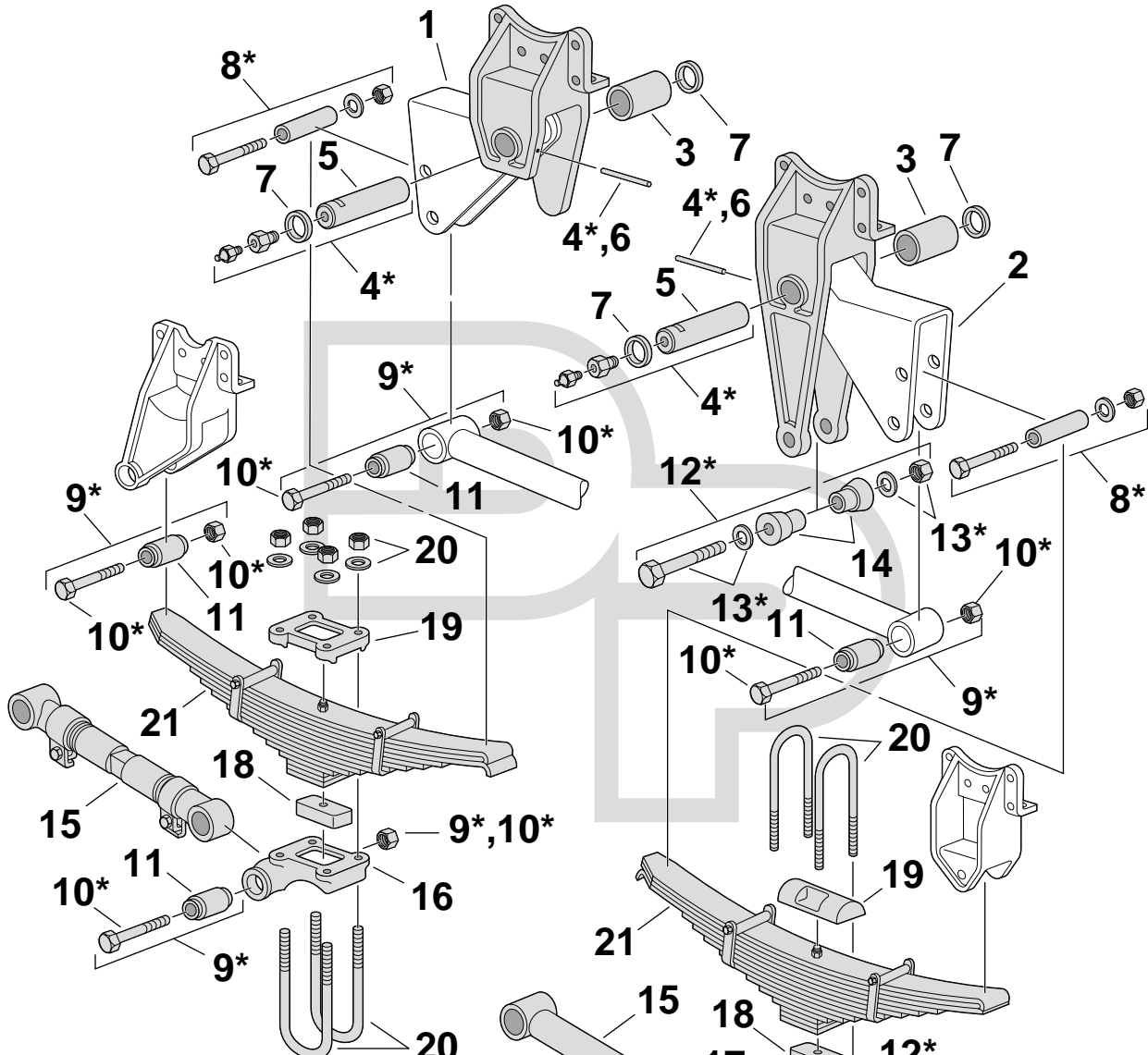
Key 8* - Torque Rod Bolt Assembly

Key No.	Part Number	Description	No. Req.	OEM Reference	Remarks		
●	1	338-237	Assembly, Equalizer	2	T3225	Model 31; Incl. Bushing	
●		338-243	Assembly, Equalizer	2	T3554	Model 41; Incl. Bushing	
✓	2	321-154	Bushing; 2"ID x 3 1/8"OD x 4 1/4"Lg	2	T3214		
●	3	334-248	Assembly, Shaft; 2"OD x 6 1/8"Lg	2	T3220	Incl. Shaft & Roll Pin	
✓✓	4	334-201	Kit, Rebound; 1/2"-20 x 4 3/4"Lg	4	TK19011	Incl. Tube, Bolt, Washer & Nut	
●	5	345-130	Torque Rod, Adjustable; 15"-17 1/4"Lg	2	16347-01	Incl. 321-153 Bushings	
		345-132	Torque Rod, Adjustable; 17 1/4"-19 1/2"Lg	2	16348-01	Incl. 321-153 Bushings; Use 345-157	
●		345-182	Torque Rod, Adjustable; 18 1/2"-21 3/8"Lg	2		Obsolete	
●		345-133	Torque Rod, Rigid; 16 1/2"Lg c/c	2	T3034	Incl. 321-153 Bushings	
●		345-143	Torque Rod, Rigid; 17"Lg c/c	2	T3340	Incl. 321-153 Bushings	
✓	●	345-134	Torque Rod, Rigid; 19 3/8"Lg c/c	2	T3033	Incl. 321-153 Bushings	
●		345-140	Torque Rod, Rigid; 20 3/8"Lg c/c	2	T3341	Obsolete	
✓✓	6	334-247	Assembly, Bolt & Bushing	8		Incl. 334-246 Bolt Assembly & 321-153 Bushing	
✓✓	●	7	321-153	Bushing; 7/8"ID x 1 29/32"OD x 3"Lg	8	09729-01	
	●	321-153U	Bushing, Urethane	8			
✓	8	334-246	Assembly, Bolt; 7/8"-9 x 5 1/2"Lg	8	10033-01	Incl. Bolt & Lock Nut	
●	9	338-238	Bracket, Seat; Torque Rod; 3/4", 5" Round Axle	4	T3013		
●		338-386	Bracket, Seat; Torque Rod; Fabricated; 1", 4"x 6" Axle	4	0638-01	Replaces 338-239	
		338-240	Bracket, Seat; Torque Rod; 5" Square Axle	4	10119-01	Obsolete	
✓	10	338-221	Spacer; 3"W x 7 1/2"Lg x 1"Thk	4	T7716		
		338-222	Spacer; 3"W x 7 1/2"Lg x 1 1/2"Thk	4	T7654		
✓		338-223	Spacer; 3"W x 7 1/2"Lg x 2"Thk	4	T7655		
✓	●	11	338-200	Saddle, U-Bolt; 3"W x 7 3/4"Lg x 1 3/4"H	4	08677-01	7/8" or 3/4" U-Bolts Down
●		338-202	Plate, Top Clamp; U-Bolt; 4"W x 5 3/8"Lg c/c - 4" x 6" Axle	4	T4069	Obsolete	
●		338-203	Plate, Top Clamp; U-Bolt; 3 7/8"W x 5 7/8" c/c - 5" Rd. & Eaton 5" Sq. Axles	4	T7175		
●		338-1530	Plate, Top; 5" Square Axles	4		Replaces 338-204	
✓	●	12	338-214	Plate, Bottom Clamp; U-Bolt; 3 7/8"W x 5 7/8"Lg c/c; 5" Round Axle	4	09139-01	
●		338-215	Plate, Bottom Clamp; U-Bolt; 4"x 6" Axle	4	09230-01		
●		338-216	Plate, Bottom Clamp; U-Bolt; 3 15/16"W x 6 1/4"Lg c/c; 5" Square Axle	4	09229-01		
		338-242	Bracket, Bottom Plate; Torque Rod; 5" Round Axle	4	T3043	Underslung; Obsolete	
✓✓	13	361-258	Kit, U-Bolt; Round Bend, Grade 8	8	08511-01	7/8" x 5 1/8" x 11 7/8" R	
✓		361-559	Kit, U-Bolt; Round Bend, Grade 8	8	08512-01	7/8" x 5 1/8" x 12 7/8" R	
✓		361-254	Kit, U-Bolt; Round Bend, Grade 8	8	08515-01	7/8" x 5 1/8" x 13 7/8" R	
		361-509	Kit, U-Bolt; Round Bend, Grade 5	8	08525-01	7/8" x 5 1/8" x 17 7/8" R	
		See Chart	Kit, U-Bolt	8		See Chart on Page 1051	
●	14	338-219	Clip, U-Bolt; 4"x 6" Axle	4	T7560	Obsolete	
●		338-220	Clip, U-Bolt; 5" Square Axle	4	T5587	Obsolete	
	15	Spring Assembly	Assembly, Spring	4		See Leaf Spring Web Catalog for Details	

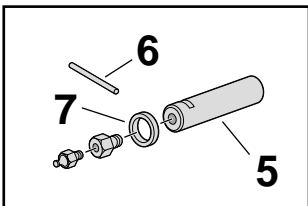
**Model 45
Tandem Four Spring
Trailer Suspension**

Reyco

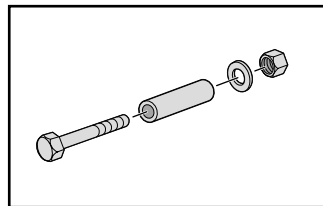
Reyco



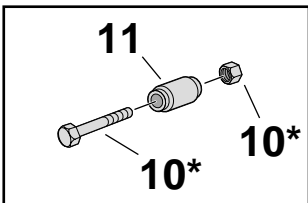
Suspension Illustration



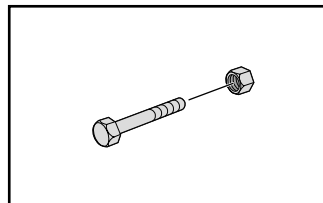
Key 4* - Equalizer Shaft Assembly



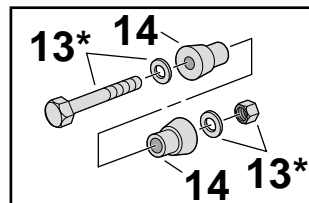
Key 8* - Spring Rebound Kit



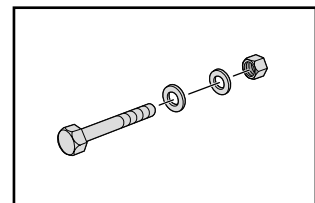
Key 9* - Torque Rod Bolt & Bushing Assembly



Key 10* - Torque Rod Bolt Assembly



Key 12* - Torque Rod Bolt & Bushing Assembly



Key 13* - Torque Rod Bolt Assembly

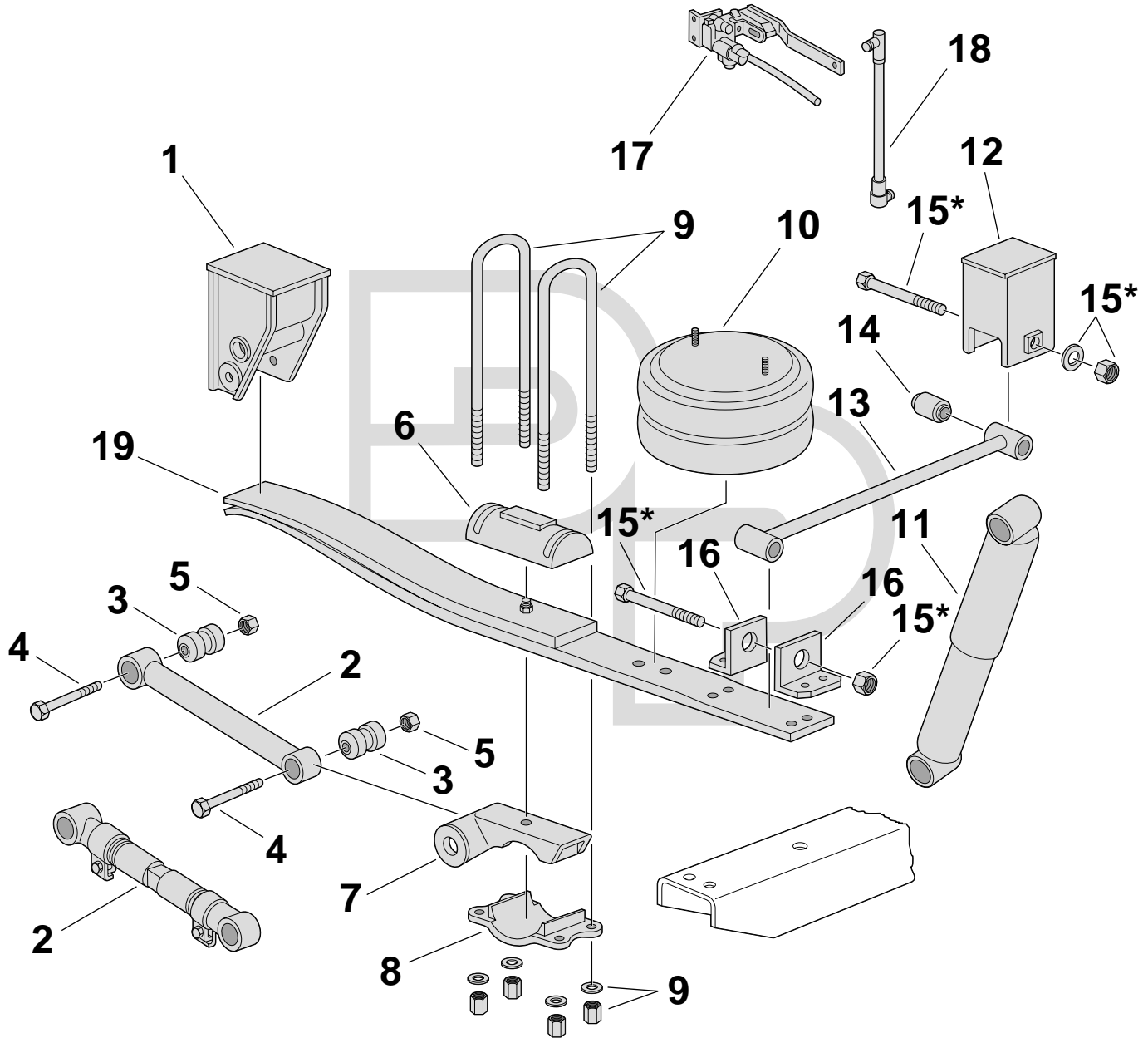
Key No.	Part Number	Description	No. Req.	OEM Reference	Remarks		
●	1	338-248	Assembly, Equalizer; Front	2	T7494	Model 45; Obsolete	
●	2	338-249	Assembly, Equalizer; Rear	2	T7493	Model 45; Obsolete	
✓✓	●	3	321-154	Bushing; 2"ID x 3 1/8"OD x 4 1/4"Lg	4	T3214	Fabricated Equalizer
●		322-111	Bushing	4	T1708	Obsolete	
	4	334-264	Assembly, Shaft; 2"OD x 6 1/8"Lg	4		Obsolete	
	5	334-261	Shaft, Equalizer	4	T3001	Obsolete	
	6	334-250	Pin, Lock; 3/8" X 5"Lg	4	08621-01, T3010	Obsolete	
●	7	334-220	Seal; 2"ID x 2 5/8"OD x 1/4"Thk	8	T2167		
✓	8	334-201	Kit, Rebound; 1/2"-20 x 4 3/4"Lg	4	TK19011	Incl. Tube, Bolt, Washer & Nut	
✓✓	9	334-247	Assembly, Bolt & Bushing	8		Front Torque Rods & Equalizer Connecting Rod	
✓	10	334-246	Assembly, Bolt; 7/8"-9 x 5 1/2"Lg	8	10033-01	Front Torque Rods & Equalizer Connecting Rod	
✓✓	●	11	321-153	Bushing; 7/8"ID x 1 29/32"OD x 3"Lg	8	09729-01	Front Torque Rods & Equalizer Connecting Rod
●		321-153U	Bushing, Urethane	8			
✓✓	12	334-252	Assembly, Bolt & Bushing	4	TK18997	Rear Torque Rod	
	13	334-206	Assembly, Bolt; 1"-14 x 7"Lg	4		Incl. Bolt & Hdwe.	
✓	●	14	321-145	Bushing; 1"ID x 1 13/16"OD x 3"Lg	8	T5493	
		321-145U	Bushing, Urethane	8			
●	15	345-130	Torque Rod, Adjustable; 15"-17 1/4"Lg	1	T3036	Front; Incl. 321-153 Bushings	
✓✓	●	345-198	Torque Rod, Adjustable; 19 1/2"-21 3/4"Lg	2	15174-01	Bushings Not Included	
		345-730	Torque Rod, Rigid; 15 3/4"Lg c/c	2	T3681	Front; Incl. 321-153 Bushings	
●	16	338-238	Bracket, Seat; Torque Rod; 3/4", 5" Round Axle	2	T3013	Front Axle	
		338-250	Bracket, Axle; Torque Rod; 5" Round Axle	2	T7478	Rear Axle; Obsolete	
●	17	338-739	Seat; 3/4"; No Hop	2	10114-01, T3329	Rear Axle	
✓	18	338-221	Spacer; 3"W x 7 1/2"Lg x 1"Thk	4	T7716		
		338-222	Spacer; 3"W x 7 1/2"Lg x 1 1/2"Thk	4	T7654		
✓		338-223	Spacer; 3"W x 7 1/2"Lg x 2"Thk	4	T7655		
●	19	338-203	Plate, Top Clamp; U-Bolt; 3 7/8"W x 5 7/8" c/c - 5" Rd. & Eaton 5" Sq. Axles	2	T7175		
✓	●	338-200	Saddle, U-Bolt; 3"W x 7 3/4"Lg x 1 3/4"H	2	08677-01	7/8" or 3/4" U-Bolts Down	
✓	20	361-258	Kit, U-Bolt; Round Bend, Grade 8	4	08511-01	7/8" x 5 1/8" x 11 7/8" R; Front Axle	
		361-559	Kit, U-Bolt; Round Bend, Grade 8	4	08512-01	7/8" x 5 1/8" x 12 7/8" R; Front Axle	
✓		361-254	Kit, U-Bolt; Round Bend, Grade 8	4	08515-01	7/8" x 5 1/8" x 13 7/8" R; Front Axle	
		361-589	Kit, U-Bolt; Round Bend, Grade 8	4	16289-01	7/8" x 3" x 12 1/2" R; Rear Axle	
		361-566	Kit, U-Bolt; Round Bend, Grade 5	4	08495-01	7/8" x 3" x 13 1/2" R; Rear Axle	
		361-374	Kit, U-Bolt; Round Bend, Grade 8	4	08496-01	7/8" x 3" x 14 1/2" R; Rear Axle	
✓✓		361-218	Kit, U-Bolt; Round Bend, Grade 5	4	210901-140	7/8" x 3" x 14 1/2" R; Rear Axle	
		See Chart	Kit, U-Bolt	4		See Chart on Page 1051	
21	Spring Assembly	Assembly, Spring	4			See Leaf Spring Web Catalog for Details	

**74AR
Single/Tandem Axle
Trailer Air Suspension**

Reyco

Reyco

Suspension Illustration

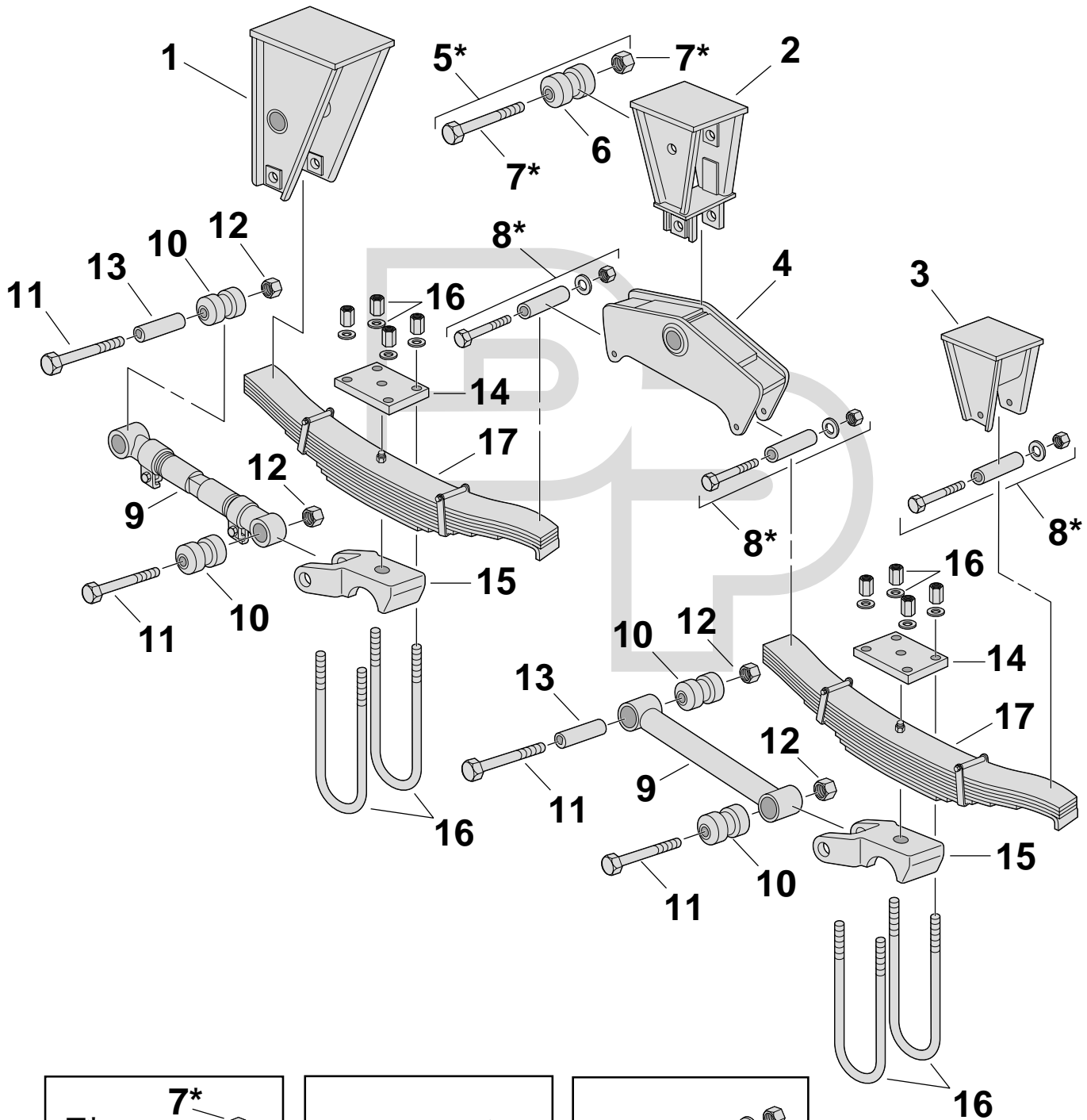


Key No.	Part Number	Description	No. Req.	OEM Reference	Remarks
	SP	Hanger, Front; LH/RH	2	13790-01	Undermount
	345-217	Torque Rod, Adjustable; 13"-15"Lg	1	16595-01	Incl. 321-287 Bushings
	SP	Torque Rod, Rigid, 14 1/4" Lg c/c	1	16585-01	Use 345-217
●	321-287	Bushing; 1"ID x 2 3/8"OD x 4"Lg	4	15737-01	
✓✓	334-203	Bolt; 1"-14 x 7 1/4"Lg	4	T5492	
✓✓	SLN-107	Nut, Lock; 1"-14	4		
	SP	Plate, Top	2	20157-01	
	SP	Seat, Axle	2		Specify Axle Type & Seat Height
	SP	Plate, Bottom	2		Specify Axle Diameter
✓✓	361-248	Kit, U-Bolt; Round Bend, Grade 5	4	21090-125	7/8" x 3" x 12 1/2" R
✓✓	361-218	Kit, U-Bolt; Round Bend, Grade 5	4	21090-140	7/8" x 3" x 14 1/2" R
	See Chart	Kit, U-Bolt	4		See Chart on Page 1051
	354-7557	Air Spring	2	19983-01	
✓	M65401	Shock Absorber	2		
	M66894	Shock Absorber	2		
	See Shocks	Shock Absorber	2	Various	Consult Shock Catalog for Model Specific Applications
	338-1644	Bracket, Frame; Track Rod	1	18919-01	
	345-770	Rod, Track	1	20969-01	40" Frame Width; Incl. 321-153 Bushings
✓✓ ●	321-153	Bushing; 7/8"ID x 1 29/32"OD x 3"Lg	2	09729-01	
✓	334-246	Assembly, Bolt; 7/8"-9 x 5 1/2"Lg	2	10033-01	Incl. Bolt & Lock Nut
●	338-1460	Bracket, Track Rod	2	21491-01	Fabricated
✓✓ ●	334-750	Valve, Height Control; Universal	1		
✓ ●	334-751	Linkage Assembly; Universal; Adjustable	1		3 5/8"-19 5/8" Range; Use w/All Height Control Valves
	TRA-3382	Spring, Leaf; LH	1	19897-01	See Leaf Spring Web Catalog for Details
	TRA-3383	Spring, Leaf; RH	1	19898-01	See Leaf Spring Web Catalog for Details

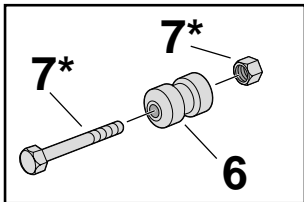
74B (74A Canada)
(50", 60", 64" Axle Spacing)
Trailer Four Spring Suspension

Reyco

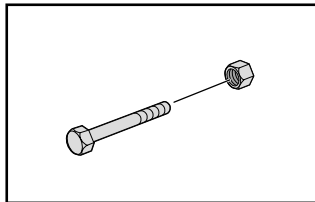
Reyco



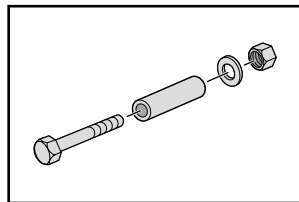
Suspension Illustration



Key 5* - Equalizer Bushing Assembly



Key 7* - Equalizer Bolt Assembly



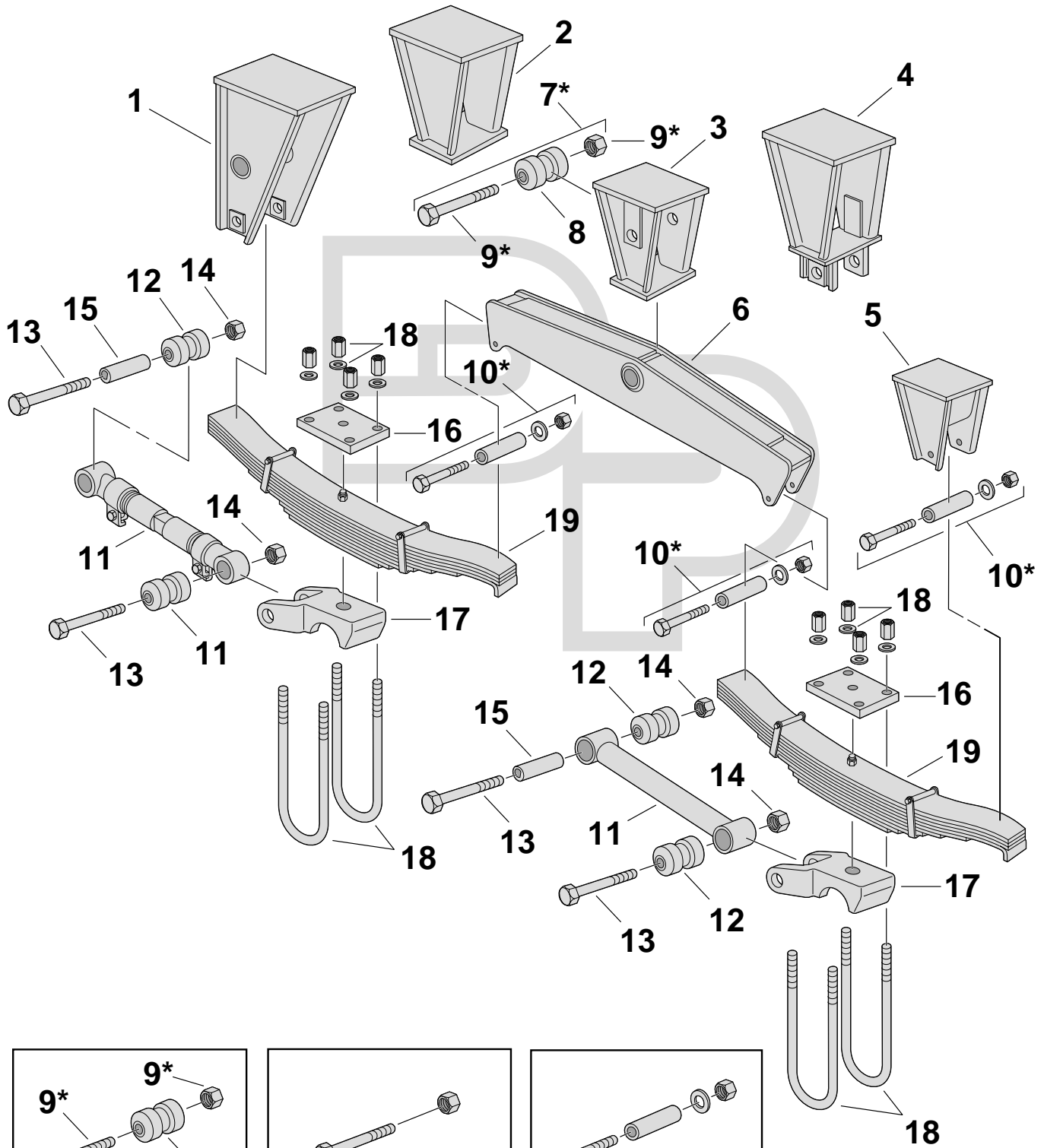
Key 8* - Rebound Bolt Assembly

Key No.	Part Number	Description	No. Req.	OEM Reference	Remarks
1	SP	Hanger, Front; LH/RH	2	15728-01	74A; Undermount
	SP	Hanger, Front; LH/RH	2	16671-01	74B; Undermount
2	SP	Hanger, Center; LH/RH	2	15731-01	74A; Undermount
	SP	Hanger, Center; LH/RH	2	16672-01	74B; Undermount
3	SP	Hanger, Rear; LH/RH	2	1381401	74A & 74B; Undermount
● 4	338-1826	Assembly, Equalizer; 50" Axle Spacing	2	17512-01	74B; Incl. 321-270 Bushing
●	338-605	Assembly, Equalizer; 54" Axle Spacing	2	13806-01	74A & 74B; Incl. 321-270 Bushing
	SP	Assembly, Equalizer; 60" Axle Spacing	2	14135-01	74A & 74B; Incl. 321-270 Bushing
5	334-1259	Assembly, Bolt & Bushing	2		Incl. Bushing, Bolt & Hdwe.
● 6	321-270	Bushing; 1 1/4"ID x 3 1/8"OD x 5 25/64"Lg	2	13805-01	
7	334-292	Assembly, Bolt; 1 1/4"-12 x 8 7/8"Lg	2	10949-01	Incl. Bolt, Washers & Lock Nut
8	334-415	Assembly, Bolt; Rebound; 1/2" x 6"Lg	6		Incl. Bolt, Tube & Nut
9	SP	Torque Rod, Rigid, 14 1/4"Lg c/c	2	15746-01	74A; All Axle Spacings; Front
	SP	Torque Rod, Rigid, 14 1/4"Lg c/c	1	16585-01	74B; All Axle Spacings; Front
	SP	Torque Rod, Rigid, 19 1/4"Lg c/c	1	17532-01	74B; 50" Axle Spacing; Rear
	SP	Torque Rod, Rigid, 21 1/4"Lg c/c	2	15749-01	74A; 54" Axle Spacing; Rear
	SP	Torque Rod, Rigid, 21 1/4"Lg c/c	1	16588-01	74B; 54" Axle Spacing; Rear
	SP	Torque Rod, Rigid, 24 1/2"Lg c/c	2	15750-01	74A; 60" Axle Spacing; Rear
	SP	Torque Rod, Rigid, 24 1/2"Lg c/c	1	16589-01	74B; 60" Axle Spacing; Rear
	345-217	Torque Rod, Adjustable; 13"-15"Lg	1	16595-01	74B; All Axle Spacing, Front; Incl. (2) 321-287 Bushings
	SP	Torque Rod, Adjustable	1	17534-01	74B; 50" Axle Spacing; Rear
10	SP	Bushing, Torque Rod	4	15738-01	74A; Hanger End
	● 321-287	Bushing; 1"ID x 2 3/8"OD x 4"Lg	4/8	15737-01	74A, Seat End; 74B, Both Ends
● 11	334-642	Bolt, Flat Side	4	17210-01	74A; Hanger End
	334-644	Bolt; 1"-14 x 6 3/4"Lg	4	17161-01	74A; Seat End
	334-203	Bolt; 1"-14 x 7 1/4"Lg	8	T5492	74B
✓✓ 12	SLN-107	Nut, Lock; 1"-14	8		
● 13	334-298	Bushing, Eccentric	4	13899-01	74A
14	SP	Plate, Top; 5" Round Axles	4	13798-01	74A & 74B
	SP	Plate, Top; 5 3/4" Round Axles	4	14527-01	74A
15	SP	Seat, Axle; 5" Round Axles	4	702856-01, 15751-01	74A & 74B
	SP	Seat, Axle; 5 3/4" Round Axles	4	702857-01, 15752-01	74A
16	361-559	Kit, U-Bolt; Round Bend, Grade 8	8	08512-01	7/8" x 5 1/8" x 12 7/8" R
	361-510	Kit, U-Bolt; Round Bend, Grade 8	8	08951-01	7/8" X 5 3/4" X 14 3/4" R
17	Spring Assembly	Assembly, Spring	4		See Leaf Spring Web Catalog for Details

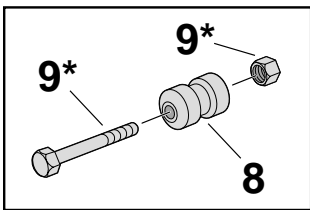
74B (74A Canada)
(72", 77", 97", 109" Axle Spacing) Wide Spread
Trailer Four Spring Suspension

Reyco

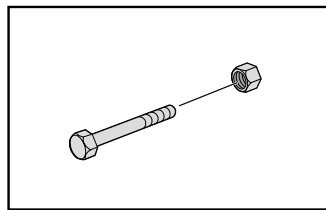
Reyco



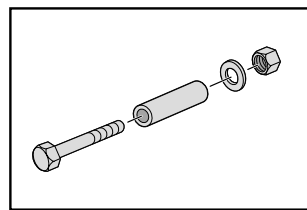
Suspension Illustration



Key 7* - Equalizer Bushing Assembly



Key 9* - Equalizer Bolt Assembly



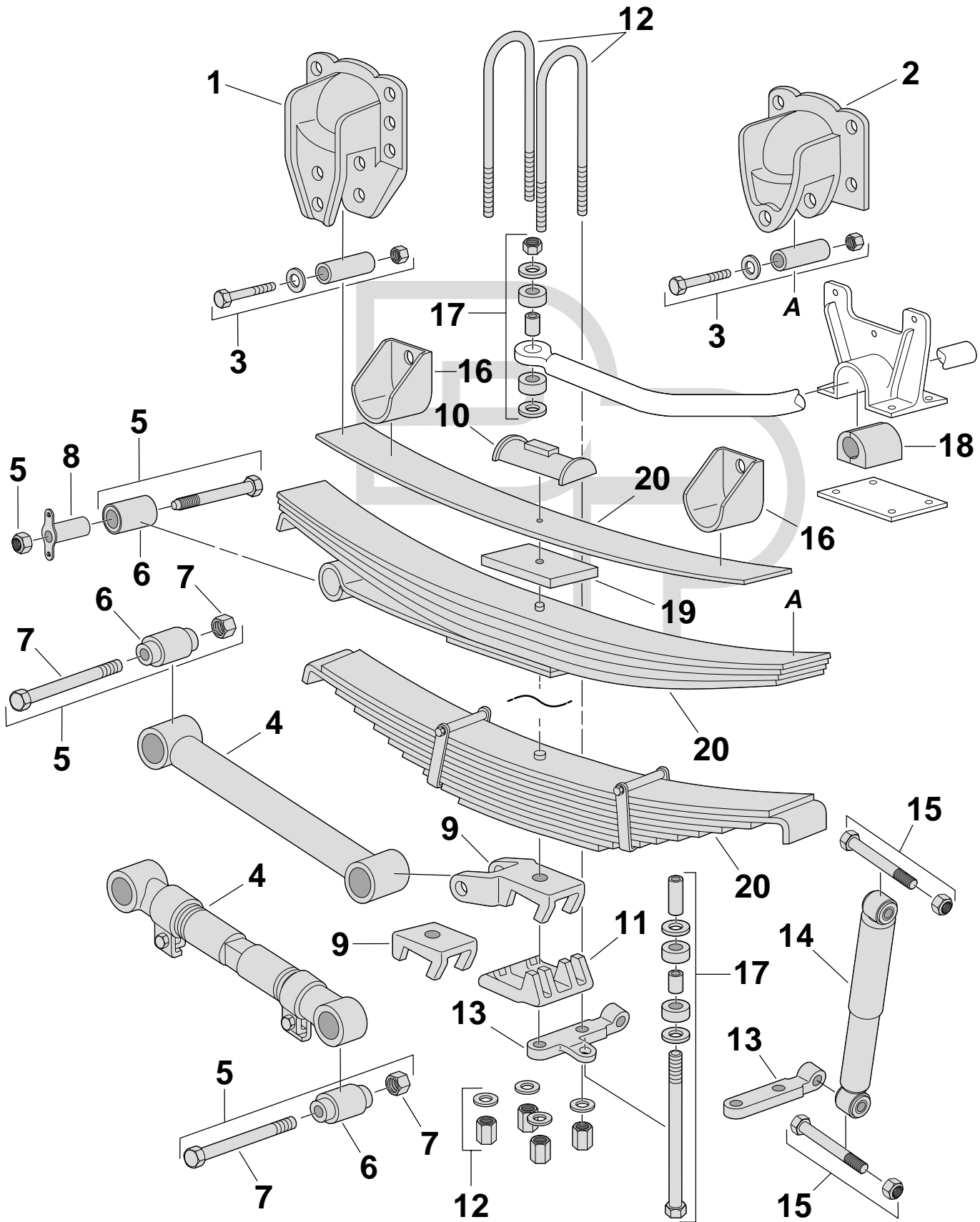
Key 10* - Rebound Bolt Assembly

Key No.	Part Number	Description	No. Req.	OEM Reference	Remarks
1	SP	Hanger, Front; LH/RH	2	15728-01	74A; Undermount
	SP	Hanger, Front; LH/RH	2	16671-01	74B; Undermount
2	SP	Bracket, Guide; Equalizer	2	13861-01	74A & 74B; Undermount; Fabricated
3	SP	Hanger, Center; LH/RH	2	15735-01	74A & 74B; Undermount
4	SP	Bracket, Attachment; Torque Rod	2	15732-01	74A; Undermount
5	SP	Hanger, Rear; LH/RH	2	13814-01	74A & 74B; Undermount
6	SP	Assembly, Equalizer; 72" Axle Spacing	2	13909-01	Incl. 321-270 Bushing
	SP	Assembly, Equalizer; 77" Axle Spacing	2	15227-01	Incl. 321-270 Bushing
	SP	Assembly, Equalizer; 97" Axle Spacing	2	15724-01	Incl. 321-270 Bushing
	SP	Assembly, Equalizer; 109" Axle Spacing	2	15720-01	Incl. 321-270 Bushing
7	334-1259	Assembly, Bolt & Bushing	2		Incl. Bushing, Bolt & Hdwe.
● 8	321-270	Bushing; 1 1/4"ID x 3 1/8"OD x 5 25/64"Lg	2	13805-01	
9	334-292	Assembly, Bolt; 1 1/4"-12 x 8 7/8"Lg	2	10949-01	Incl. Bolt, Washers & Lock Nut
10	334-415	Assembly, Bolt; Rebound; 1/2" x 6"Lg	6		Incl. Bolt, Tube & Nut
11	SP	Torque Rod, Rigid, 14 1/4"Lg c/c	2	15746-01	74A; All Axle Spacings; Front
	SP	Torque Rod, Rigid, 14 1/4"Lg c/c	1	16585-01	74B; All Axle Spacings; Front
	SP	Torque Rod, Rigid, 20 1/4"Lg c/c	2	15747-01	74A; 72" Axle Spacings; Rear
	SP	Torque Rod, Rigid, 20 1/4"Lg c/c	1	16586-01	74B; 72" Axle Spacings; Rear
	SP	Torque Rod, Rigid, 21"Lg c/c	2	15748-01	74A; 77", 97" & 109" Axle Spacing; Rear
	SP	Torque Rod, Rigid, 21"Lg c/c	1	16587-01	74B; 77", 97" & 109" Axle Spacing; Rear
	345-217	Torque Rod, Adjustable; 13"-15"Lg	1	16595-01	74B; All Axle Spacings; Front
● 12	321-287	Bushing; 1"ID x 2 3/8"OD x 4"Lg	4/8	15737-01	74A, Seat End; 74B, Both Ends
	SP	Bushing, Torque Rod	4	15738-01	74A; Hanger End
● 13	334-642	Bolt, Flat Side	4	17210-01	74A; Hanger End
	334-644	Bolt; 1"-14 x 6 3/4"Lg	4	17161-01	74A; Seat Ends
	334-203	Bolt; 1"-14 x 7 1/4"Lg	8	T5492	74B
✓✓ 14	SLN-107	Nut, Lock; 1"-14	8		
● 15	334-298	Bushing, Eccentric	4	13899-01	74A
16	SP	Plate, Top; 5 3/4" Round	4	14527-01	74A
	SP	Plate, Top; 5" Round	4	13798-01	74A & 74B
17	SP	Seat, Axle; 5" Round	4	702856-01, 15751-01	74A & 74B
	SP	Seat, Axle; 5 3/4" Round	4	702857-01, 15752-01	74A
18	361-559	Kit, U-Bolt; Round Bend, Grade 8	8	08512-01	7/8" x 5 1/8" x 12 7/8" R
	361-510	Kit, U-Bolt; Round Bend, Grade 8	8	08951-01	7/8" X 5 3/4" X 14 3/4" R
19	Spring Assembly	Assembly, Spring	4		See Leaf Spring Web Catalog for Details

**79KB
Single Axle Tractor Suspension**

Reyco

Reyco



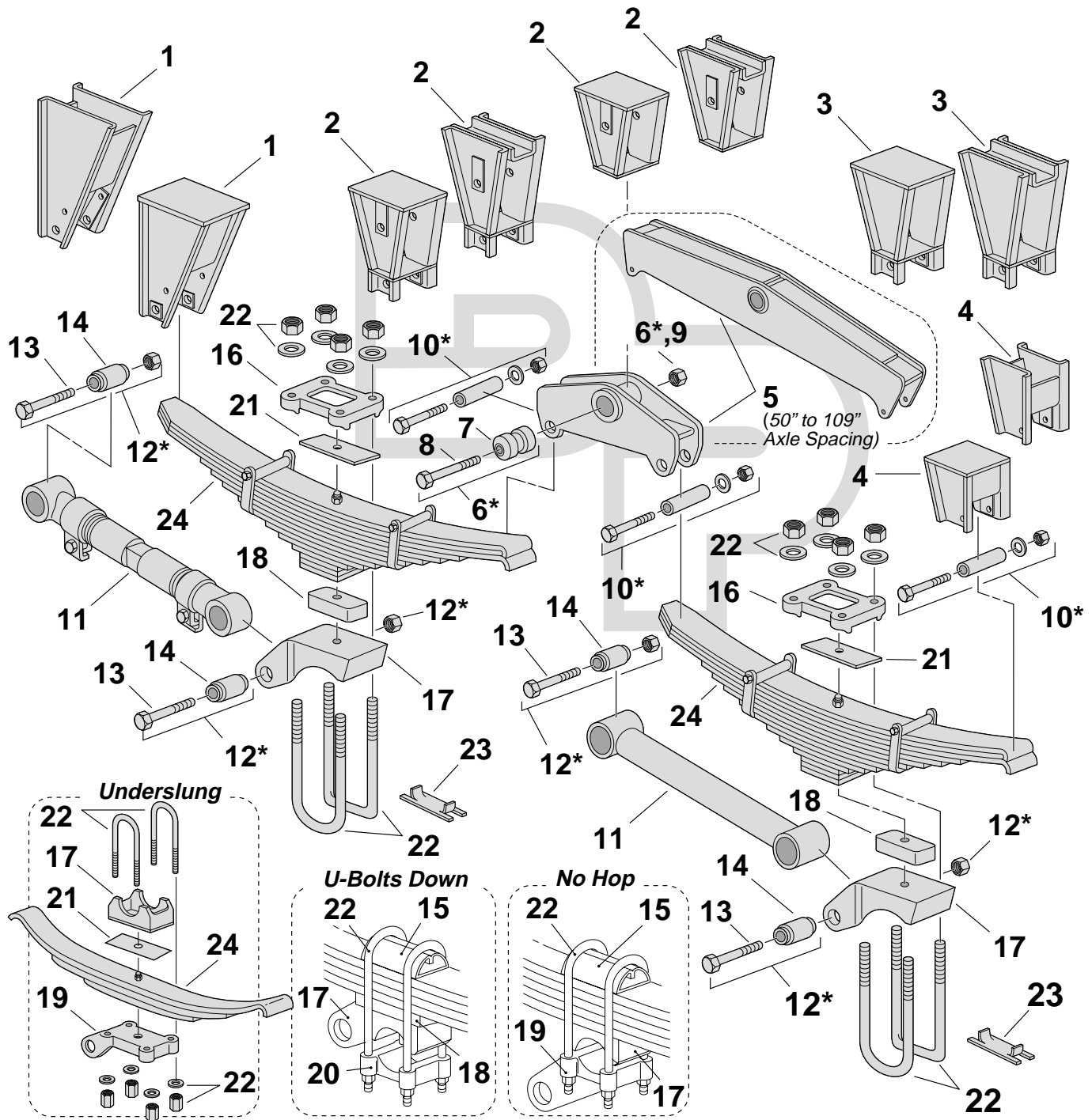
Suspension Illustration

Key No.	Part Number	Description	No. Req.	OEM Reference	Remarks
1	338-1667	Hanger; LH	1	12801-01, 22404-01	Standard
	338-1666	Hanger; RH	1	12802-01, 22404-02	Standard
	SP	Hanger	2	Various	Specify Truck Mfg. & LH/RH
2	338-1669	Hanger; LH	1	12814-01, 22405-01	Standard
	338-1668	Hanger; RH	1	12815-01, 22405-02	Standard
	SP	Hanger	2	Various	Specify Truck Mfg. & LH/RH
✓ 3	334-201	Kit, Rebound; 1/2"-20 x 4 3/4"Lg	4		Early; Incl. Tube, Bolt, Washer & Nut
	334-812	Assembly, Bolt; Rebound; 1/2"-13 x 5"Lg	4		Paccar; Late; Incl. Bolt, Tube & Hdwe
● 4	345-134	Torque Rod, Rigid; 19 3/8"Lg c/c	1	T3033	Incl. 321-153 Bushings
	345-132	Torque Rod, Adjustable; 17 1/4"-19 1/2"Lg	1	16348-01	Incl. 321-153 Bushings; Use 345-157
✓✓ 5	334-247	Assembly, Bolt & Bushing	4	TK7424	Incl. 334-246 Bolt Assembly & 321-153 Bushing
	334-2095	Assembly, Bolt & Bushing	1	K713311	D-Bolt Assembly & RB-371 Bushing
✓✓ ● 6	321-153	Bushing; 7/8"ID x 1 29/32"OD x 3"Lg	4	09729-01	
	RB-371	Bushing, Torque Leaf	2	711696-01	
✓ 7	334-246	Assembly, Bolt; 7/8"-9 x 5 1/2"Lg	4	10033-01	Incl. Bolt & Lock Nut
8	334-2047	Eccentric, Alignment	2	712475-01	
9	SP	Seat, Axle	2		Specify Axle Model & Angle
✓ ● 10	338-200	Saddle, U-Bolt	2	08677-01	7 3/4"Lg x 3"W x 1 3/4" High
	SP	Plate, Bottom	2		Specify Axle Model & Angle
✓✓ 12	361-505	Kit, U-Bolt; Round Bend, Grade 5	4	08492-01	7/8" x 3" x 11 1/2" R
	361-589	Kit, U-Bolt; Round Bend, Grade 8	4	08494-01	7/8" x 3" x 12 1/2" R
	361-566	Kit, U-Bolt; Round Bend, Grade 5	4	08495-01	7/8" x 3" x 13 1/2" R
	361-374	Kit, U-Bolt; Round Bend, Grade 8	4	12596-01	7/8" x 3" x 14 1/2" R
	361-168	Kit, U-Bolt; Round Bend, Grade 8	4	09709-01	7/8" x 3" x 16 1/2" R
	361-250	Kit, U-Bolt; Round Bend, Grade 5	4	08504-01	7/8" x 3" x 18 1/2" R
13	SP	Bracket, Shock/Sway Bar	2		Specify LH/RH
	SP	Bracket, Shock	2		Specify LH/RH
✓✓ 14	M66878	Shock Absorber	2		
✓✓ 15	334-1105	Assembly, Bolt; 3/4"-10 x 3 1/2"Lg	4		Incl. Bolt & Hdwe.
16	SP	Bracket, Helper	4	16281-01	
● 17	334-1910	Assembly, Service; Sway Bar End Link	2		
● 18	320-215	Bushing, "D"; Sway Bar	2	19571-01	
19	SP	Spacer	2	Various	Specify Thickness
20	Spring Assembly	Assembly, Spring	2		See Leaf Spring Web Catalog for Details

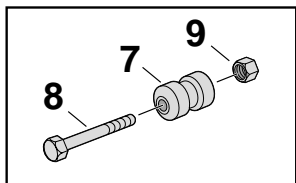
Model 83 (Canada)
(50" - 109" Axle Spacing)
Trailer Four Spring Suspension

Reyco

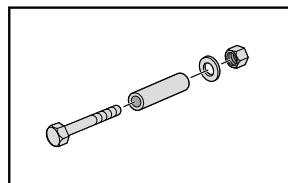
Reyco



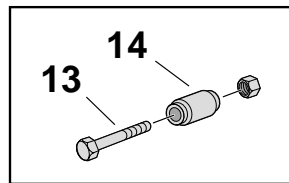
Suspension Illustration



Key 6* - Equalizer Shaft/Bushing Assembly



Key 10* - Rebound Bolt Assembly



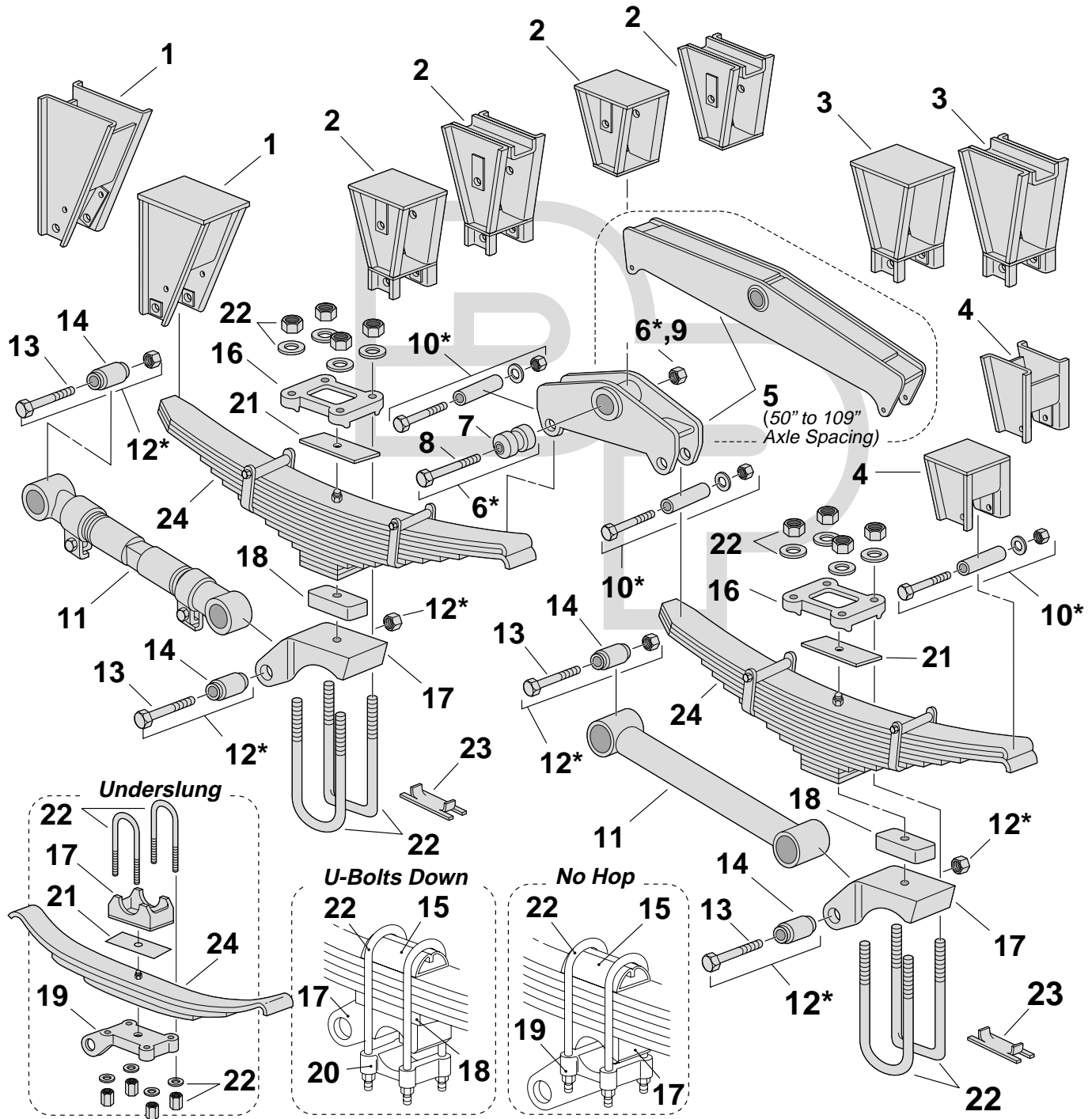
Key 12* - Torque Rod Bolt & Bushing Assembly

Key No.	Part Number	Description	No. Req.	OEM Reference	Remarks	
1	SP	Hanger, Front; LH/RH	2	15095-01	Undermount	
	SP	Hanger, Front; LH/RH	2	14995-01	Straddlemount	
2	SP	Hanger, Center; LH/RH	2	15105-01	Undermount; 50", 54", 60", 63 1/2" & 65 1/2" Axle Spacing	
	SP	Hanger, Center; LH/RH	2	15062-01	Straddlemount; 50", 54", 60", 63 1/2" & 65 1/2" Axle Spacing	
●	338-1450	Hanger, Center; LH/RH	2	14688-01	Undermount; 72", 97" & 109" Axle Spacing	
	SP	Hanger, Center; LH/RH	2	15008-01	Straddlemount; 72", 97" & 109" Axle Spacing	
3	SP	Bracket, Attachment; Torque Rod	2	15100-01	Undermount; 72", 97" & 109" Axle Spacing	
	SP	Bracket, Attachment; Torque Rod	2	15005-01	Straddlemount; 72", 97" & 109" Axle Spacing	
4	SP	Hanger, Rear; LH/RH	2	15098-01	Undermount	
	SP	Hanger, Rear; LH/RH	2	14999-01	Straddlemount	
●	338-1447	Equalizer	2	14689-01	50" Axle Spacing	
	338-1674	Equalizer	2	14693-01	54" Axle Spacing	
	338-1448	Equalizer	2	14696-01	60" Axle Spacing	
	338-1675	Equalizer	2	14700-01	63 1/2" & 65 1/2" Axle Spacing	
	338-1676	Equalizer	2	14763-01	72" Axle Spacing	
	SP	Equalizer	2	14764-01	97" Axle Spacing	
	SP	Equalizer	2	14765-01	109" Axle Spacing	
6	334-1264	Assembly, Shaft & Bushing	2		Incl. 321-305 Bushing, 334-1027 Shaft & Lock Nut	
✓✓●	7	321-305	Bushing	2	14682-01	
✓✓	8	334-1027	Shaft; 1 1/4"-12 x 7 3/4"Lg	2	14683-01	
9	SLN-108	Nut, Lock; 1 1/4"-12	2			
10	334-812	Assembly, Bolt; Rebound; 1/2"-13 x 5"Lg	8	T1703	Incl. Bolt, 3 5/16"Lg Tube & Hdwe.	
●	11	SP	Assembly, Torque Rod; Rigid; Front; All	2	Various	Specify Length or Use Appropriate Adjustable Rod
	●	345-703	Torque Rod, Adjustable; 12 3/4"-15"Lg	2	16031-01	All Axle Spacings; Incl. 321-304 & 321-153 Bushings
	●	345-704	Torque Rod, Adjustable; 19 1/2"-21 3/4"Lg	2	16032-01	Rear; 50" Axle Spacing; Incl. 321-304 & 321-153 Bushings
	●	345-705	Torque Rod, Adjustable; 21 3/4"-24"Lg	2	16033-01	Rear; 54" Axle Spacing; Incl. 321-304 & 321-153 Bushings
	●	345-706	Torque Rod, Adjustable; 24"-26 1/4"Lg	2	16034-01	Rear; 60" Axle Spacing; Incl. 321-304 & 321-153 Bushings
●	345-707	Torque Rod, Adjustable; 26 1/4"-28 1/2"Lg	2	16035-01	Rear; 63 1/2" & 65 1/2" Axle Spacing; Incl. 321-304 & 321-153 Bushings	
✓✓	12	334-247	Assembly, Bolt & Bushing	4		Seat End; Incl. 321-153 Bushing, 334-244 Bolt & Lock Nut
	334-1030	Assembly, Bolt & Bushing	4		Hanger End; Incl. 321-304 Bushing, 334-244 Bolt & Lock Nut	
✓	13	334-244	Bolt; 7/8"-9 x 5 1/2"Lg	8	10033-01	
✓✓●	14	321-153	Bushing; 7/8"ID x 1 29/32"OD x 3"Lg	4	09729-01	Seat End
	●	321-153U	Bushing, Urethane	4		
	●	321-304	Bushing	4	10051-01	Hanger End
✓✓●	15	338-381	Saddle, U-Bolt; 3"W x 7 1/2"Lg - Fabricated	4	0077-00	Can Use 338-200; All Axles, U-Bolts Down
●	16	SP	Plate, Top; 5" Round Axles	4	T7178	U-Bolts Up
	SP	Plate, Top; 4" x 6" Axles	4	09987-01	U-Bolts Up	
	●	338-203	Plate, Top Clamp; U-Bolt; 3 7/8"W x 5 7/8" c/c, 5" Rd. & Eaton 5" Sq. Axles	4	T5488	U-Bolts Up
	●	338-1530	Plate, Top; 5" Square Axles	4	T-1734	U-Bolts Up

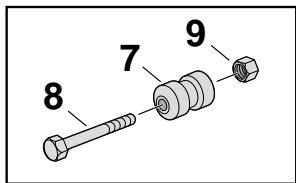
Model 83 (Canada)
(50" - 109" Axle Spacing)
Trailer Four Spring Suspension

Reyco

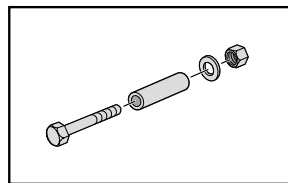
Reyco



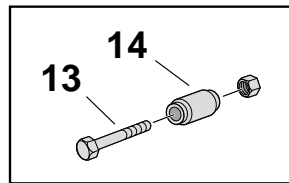
Suspension Illustration



Key 6* - Equalizer Shaft/Bushing Assembly



Key 10* - Rebound Bolt Assembly



Key 12* - Torque Rod Bolt & Bushing Assembly

Key No.	Part Number	Description	No. Req.	OEM Reference	Remarks		
●	338-238	Bracket, Seat; Torque Rod; ¾"; 5" Round Axle	4	T3013			
		Bracket, Seat/Torque Rod; 1 ½"; 5" Round Axles	4	15009-01			
	SP	Bracket, Seat/Torque Rod; 1"; 5" Square Axles	4	13046-01			
		Bracket, Seat/Torque Rod; 1"; 4" x 6" Axles	4	09822-01			
	●	338-739	Seat; ¾"; No Hop	2/4		10114-01, T3329	No Hop or Underslung
	●	338-212	Bracket, Seat; Torque Rod; 5" Square Axles; No Hop	2/4		09103-01	No Hop or Underslung
	Seat; 4" x 6" Axles		4	10292-01	Underslung		
✓	338-221	Spacer; 3"W x 7 ½"Lg x 1"Thk	4	T7716			
		338-222	Spacer; 3"W x 7 ½"Lg x 1 ½"Thk	4		T7654	
✓	338-223	Spacer; 3"W x 7 ½"Lg x 2"Thk	4	T7655			
	SP	Bracket, Torque Rod/Axle; 5" Round Axles	2	15638-01	No Hop		
		SP	Bracket, Torque Rod/Axle; All Axles	4	11791-01	Underslung	
	SP	Plate, Bottom; 5" Round Axles	4	T5514	U-Bolts Down		
●		338-471	Plate, Bottom Clamp; U-Bolt; 5" Square Axle, ¾" U-Bolts	4	09229-01	U-Bolts Down	
●	338-470	Plate, Bottom Clamp; U-Bolt; 4"x 6" Axle	4	09230-01	U-Bolts Down		
	SP	Liner, Spring	4	T5166	1 & 3 Leaf Springs		
	361-568	Kit, U-Bolt; Round Bend, Grade 8	8	08509-01	7/8" x 5 1/8" x 10 7/8" R		
✓		361-258	Kit, U-Bolt; Round Bend, Grade 8	8	08511-01	7/8" x 5 1/8" x 11 7/8" R	
		361-559	Kit, U-Bolt; Round Bend, Grade 8	8	08512-01	7/8" x 5 1/8" x 12 7/8" R	
✓		361-254	Kit, U-Bolt; Round Bend, Grade 8	8	08515-01	7/8" x 5 1/8" x 13 7/8" R	
		361-558	Kit, U-Bolt; Round Bend, Grade 5	8	08520-01	7/8" x 5 1/8" x 15 7/8" R	
		361-509	Kit, U-Bolt; Round Bend, Grade 5	8	08525-01	7/8" x 5 1/8" x 17 7/8" R	
	See Chart	Kit, U-Bolt	8		See Chart on Page 1051		
●	338-220	Clip, U-Bolt; 5" Square Axle	8	T5587	Obsolete		
●	338-219	Clip, U-Bolt; 4"x 6" Axle	8	T7560	Obsolete		
	Spring Assembly	Assembly, Spring	4		See Leaf Spring Web Catalog for Details		

Models 86/88/89 Trailer Four Spring Suspensions

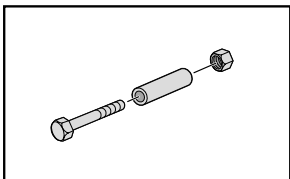
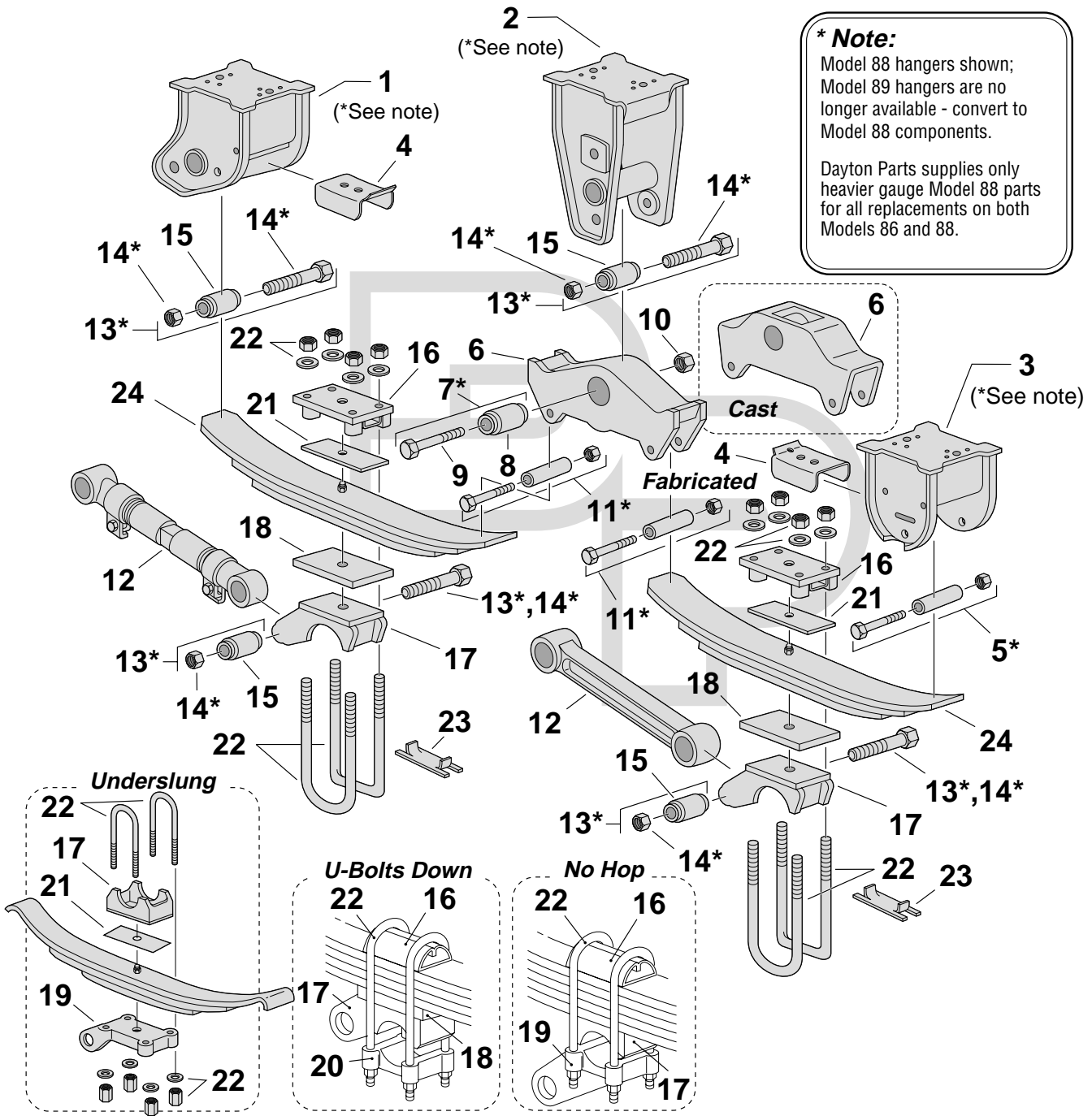
Reyco

Reyco

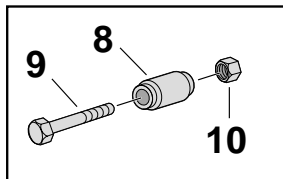
*** Note:**
Model 88 hangers shown;
Model 89 hangers are no
longer available - convert to
Model 88 components.

Dayton Parts supplies only
heavier gauge Model 88 parts
for all replacements on both
Models 86 and 88.

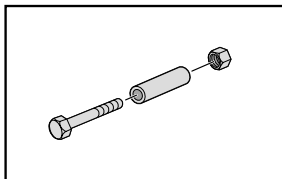
Suspension Illustration



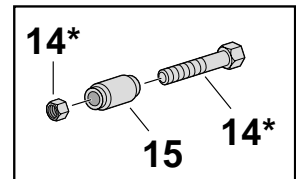
Key 5* - Rebound Bolt Assembly



Key 7* - Equalizer Bolt & Bushing Assembly



Key 11* - Rebound Bolt Assembly



Key 13* - Torque Rod Bolt & Bushing Assembly

Key No.	Part Number	Description	No. Req.	OEM Reference	Remarks
✓ ● 1	338-373	Hanger; Undermount	2	0084-00, 0049-00	Model 88; 0.229 Thk; Replaces Model 86 & 89 Hangers
✓ ●	338-1409	Hanger; LH	1	0400-01, 0311-01	Flangemount
✓ ●	338-1410	Hanger; RH	1	0400-02, 0311-02	Flangemount
●	338-1456	Hanger; Straddlemount	2	0046-20, 0046-00	
✓ ● 2	338-374	Hanger; Undermount	2	0088-00, 0065-00	Model 88; 0.229 Thk; Replaces Model 86 & 89 Hangers
●	338-2078	Hanger; Undermount	2	1370-00	Model 88 STRESS-TEK®; Undermount
✓ ●	338-1411	Hanger; Flangemount	2	0400-00, 0312-00	
●	338-1457	Hanger; Straddlemount	2	0062-00, 0062-20	
✓ ● 3	338-375	Hanger; Undermount	2	0086-00, 0053-00	Model 88; 0.229 Thk; Replaces Model 86 & 89 Hangers
✓ ●	338-1412	Hanger; LH	1	0402-01, 0313-01	Flangemount
✓ ●	338-1413	Hanger; RH	1	0402-02, 0313-02	Flangemount
●	338-1453	Hanger; Straddlemount	2	0051-20, 0051-00	
✓ ✓ ● 4	338-376	Pad, Wear; Steel	4	0045-00	
●	334-1951	Pad, Wear; Abrasion Resistant	4	1216-00	
✓ ✓	334-630	Assembly, Bolt; Rebound; 5/8"-18 x 5 1/8"Lg	2	0741-05	Models 86 & 88; After 07/01/85; Incl. Bolt, 3 1/8"Lg Tube & Lock Nut
	334-312	Assembly, Bolt; Rebound; 1/2"-20 x 5 1/2"Lg	2		Incl. Bolt, 3 1/4" Tube & Lock Nut
✓ ✓ ● 6	338-378	Assembly, Equalizer; Fabricated	2	0650-00	49" Axle Spacing; Incl. 321-194 Bushing
✓ ●	338-871	Assembly, Equalizer; Cast	2	0850-00	Incl. 321-194 Bushing
	338-2425	Assembly, Equalizer	2	0841-00	60 1/2" Axle Spacing
✓	334-628	Assembly, Bolt & Bushing	2	0649-04	Incl. 321-194 Bushing, 334-317 Bolt & 334-317 Nut
✓ ● 8	321-194	Bushing; 1"ID x 3 29/64"OD x 4"Lg	2	0649-02	
●	321-194U	Bushing, Urethane	2		
✓ ✓	334-317	Bolt; 1"-14 x 6 1/2"Lg	2	0001-14	
✓ ✓	334-319	Nut, Flange Lock; 1"-14	2	0274-01	
✓ ✓	334-343	Assembly, Bolt; Rebound; 5/8"-18 x 4 1/2"Lg	4	0741-00	Incl. Bolt, Tube and Lock Nut
✓ ✓ ● 12	345-157	Torque Rod, Adjustable; 18 1/4"-21 1/2"Lg	2	1035-20	Model 86 & 88; 49" Axle Spacing; Front & Rear; Incl. (2)321-153 Bushings
✓ ✓ ●	345-158	Torque Rod, Rigid; 19 7/8"Lg c/c	2	0075-20	Model 86 & 88; 49" Axle Spacing, Front & Rear; 54"-121", Front; Incl. (2)321-153 Bushings
✓ ✓	334-316	Assembly, Bolt & Bushing	8	0022-01	Model 86 & 88; Incl. 321-153 Bushing & 334-315 Bolt Assy.
✓ ✓	334-565	Kit, Service; Torque Rod Bolt & Bushing	8		Model 89 Only; 2-pc. Tapered Bushings
✓ ✓	334-315	Assembly, Bolt; 7/8"-14 x 5 1/4"Lg	8	0001-08	Incl. Bolt & Flanged Lock Nut
✓ ✓ ● 15	321-153	Bushing; 7/8"ID x 1 29/32"OD x 3"Lg	8	09729-01	
●	321-153U	Bushing, Urethane	8		
● 16	338-203	Plate, Top Clamp; U-Bolt; 3 7/8"W x 5 7/8" c/c - 5" Rd. & Eaton 5" Sq. Axles	4	T7175	U-Bolts Up; Replaces 338-379
✓ ✓ ●	338-381	Saddle, U-Bolt; 3"W x 7 1/2"Lg; Fabricated	4	1606-00, 0077-00	All Axles; U-Bolts Down
✓ ●	338-200	Saddle, U-Bolt; 3"W x 7 3/4"Lg x 1 3/4"H	4	08677-01	All Axles; U-Bolts Down

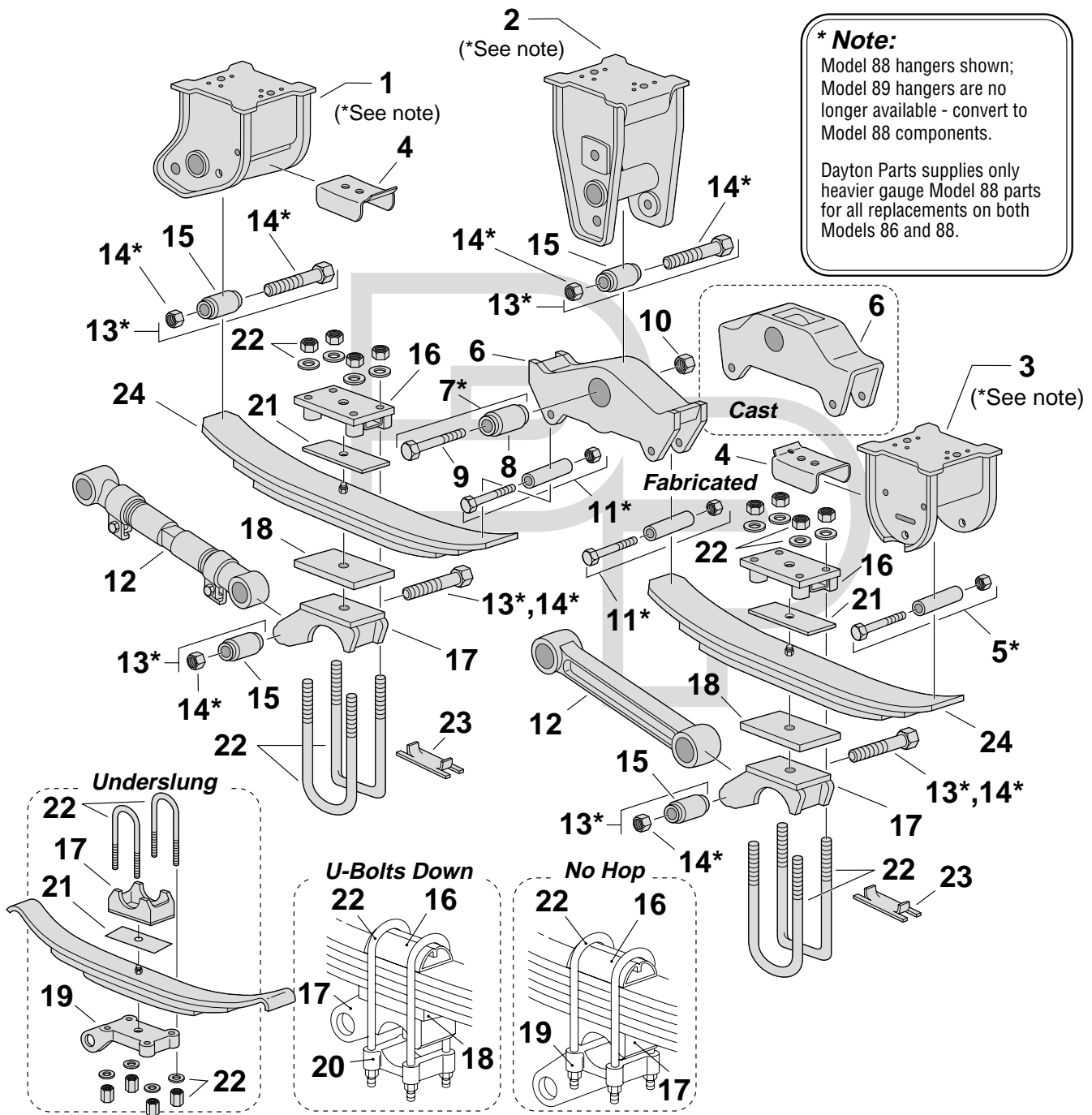
Models 86/88/89 Trailer Four Spring Air Suspensions

Reyco

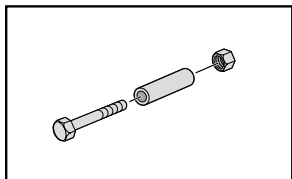
Reyco

*** Note:**
Model 88 hangers shown;
Model 89 hangers are no
longer available - convert to
Model 88 components.

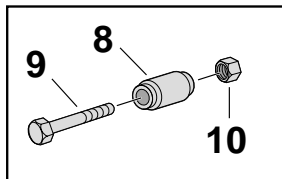
Dayton Parts supplies only
heavier gauge Model 88 parts
for all replacements on both
Models 86 and 88.



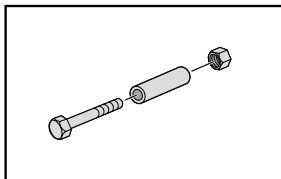
Suspension Illustration



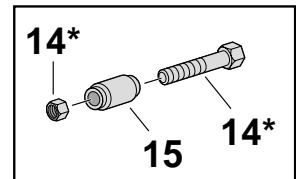
Key 5* - Rebound Bolt Assembly



Key 7* - Equalizer Bolt & Bushing Assembly



Key 11* - Rebound Bolt Assembly



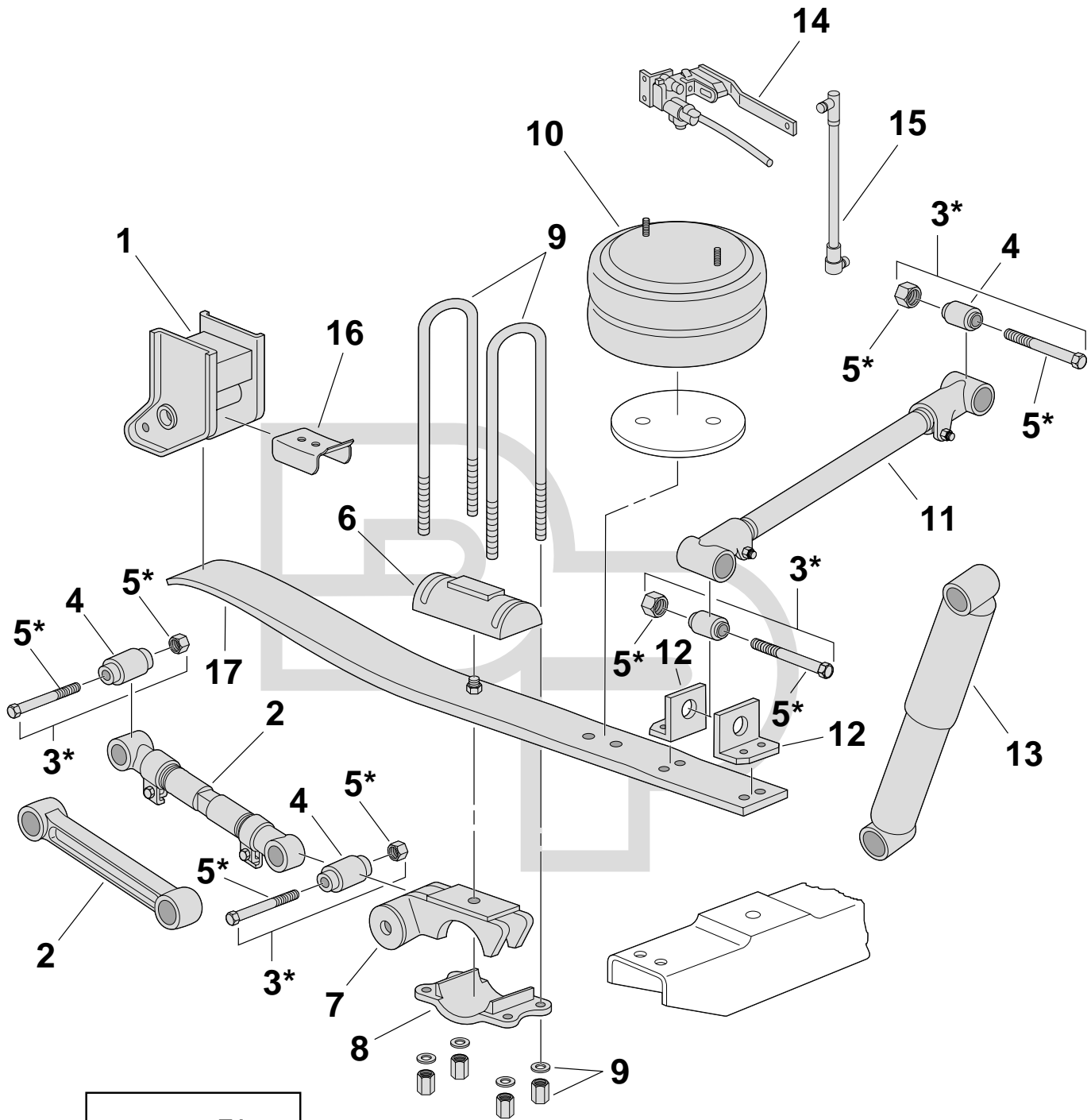
Key 13* - Torque Rod Bolt & Bushing Assembly

Key No.	Part Number	Description	No. Req.	OEM Reference	Remarks
✓ ●	17	338-1459 Bracket, Torque Rod/Seat	4	0636-02	
✓ ●		338-1378 Bracket, Torque Rod/Seat; 3"; 5" Round	4	0636-03	
●		338-1817 Bracket, Torque Rod/Seat; 2"; 5" Square Axles	4	0632-02	
●		338-384 Bracket, Torque Rod Seat; Fabricated; 1"; 5" Square Axle	4	0632-01	U-Bolts Up or Down
●		338-386 Bracket, Torque Rod Seat; Fabricated; 1"; 4"x 6" Axle	4	0638-01	
●		338-1458 Bracket, Torque Rod/Seat	4	0638-02	
✓✓ ●		338-382 Bracket, Torque Rod Seat; Fabricated; 1"; 5" Round Axle	4	0636-01	
●		338-383 Seat; Fabricated; 1"; 5" Round Axles	4/2	0637-01	Underslung & No Hop
●		338-1377 Seat; Fabricated; 3"; 5" Round Axles; No Hop	4/2	0637-03	Underslung & No Hop
●		338-385 Seat; 1"; 5" Square Axles; Fabricated	4/2	0635-01	Underslung & No Hop
	18	338-396 Spacer; 3"W x 7"Lg x 1/2"Thk, 13/16" Hole	4	T7555	
		338-397 Spacer; 3"W x 7"Lg x 3/4"Thk, 13/16" Hole	4	T7850	14"-15" Ride Hgt.
✓		338-221 Spacer; 3"W x 7 1/2"Lg x 1"Thk	4	T7716	
●	19	338-393 Bracket, Stabilizer; 5" Round Axles; No Hop	2	0415-00	No Hop
		SP Bracket, Torque Rod/Axle; 5" Square Axles	2	0416-00	No Hop
●		338-391 Bracket, Bottom Clamp Plate; Torque Rod; Underslung	4	0858-00	Underslung; 3 & 8 Leaf Springs
	20	338-388 Plate, Bottom Clamp; U-Bolt; 5" Round Axle; Fabricated	4	0538-00	Use 338-415
		338-389 Plate, Bottom Clamp; U-Bolt; 5" Square Axle; Fabricated	4	0149-00	Use 338-471
●		338-390 Plate, Bottom Clamp; U-Bolt; 4"x 6" Axle; Fabricated	4	0150-00	
	21	GL-295 Liner; 2 7/8" x 8"Lg w/ 7/8" Hole	4		
✓✓	22	361-218 Kit, U-Bolt; Round Bend, Grade 5	8	0078-14	7/8" x 3" x 14 1/2" R
✓✓		361-168 Kit, U-Bolt; Round Bend, Grade 8	8	0078-16	7/8" x 3" x 16 1/2" R
✓		361-250 Kit, U-Bolt; Round Bend, Grade 5	8	0078-18	7/8" x 3" x 18-1/2" R
✓		361-258 Kit, U-Bolt; Round Bend, Grade 8	8	0102-12	7/8" x 5 1/8" x 11 7/8" R
✓		361-254 Kit, U-Bolt; Round Bend, Grade 8	8	0102-14	7/8" x 5 1/8" x 13 7/8" R
		361-558 Kit, U-Bolt; Round Bend, Grade 5	8	0102-16	7/8" x 5 1/8" x 15 7/8" R
		See Chart Kit, U-Bolt	8		See Chart on Page 1051
●	23	338-219 Clip, U-Bolt; 4"x 6" Axle	8	T5760	Obsolete
●		338-220 Clip, U-Bolt; 5" Square Axle	8		Obsolete
	24	Spring Assembly Assembly, Spring	4		See Leaf Spring Web Catalog for Details

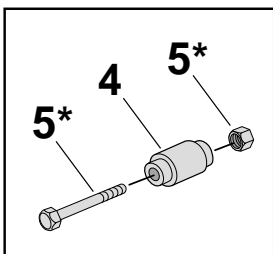
**86AR
Single/Tandem Axle
Trailer Air Suspension**

Reyco

Reyco



Suspension Illustration



**Key 3* - Torque Rod
Bolt & Bushing Assembly**

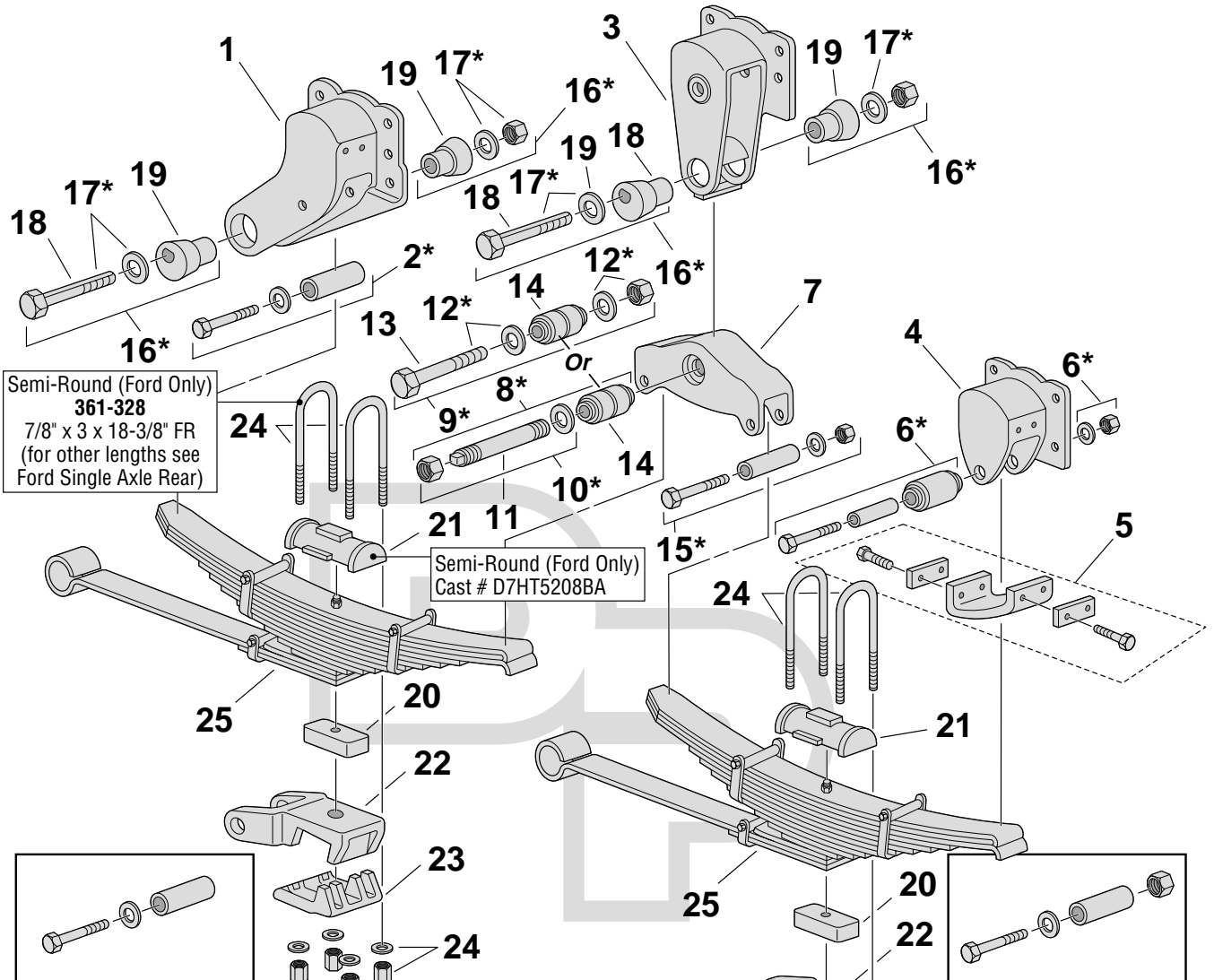
Key Numbers with an asterisk (*) indicate a kit or assembly.

Key No.	Part Number	Description	No. Req.	OEM Reference	Remarks
	1 338-1454	Hanger; Straddlemount	2	1502-00, 1605-00	Heavy Duty
✓✓●	2 345-157	Torque Rod, Adjustable; 18 1/4"-21 1/2"Lg	1	1035-20	Incl. 321-153 Bushings
✓●	345-158	Torque Rod, Rigid; 19 7/8"Lg c/c	1	0075-20	Incl. 321-153 Bushings
✓	3 334-316	Assembly, Bolt & Bushing	6	0022-01	Incl. 321-153 Bushing & 334-315 Bolt Assy.
✓✓●	4 321-153	Bushing; 7/8"ID x 1 29/32"OD x 3"Lg	6	09729-01	
●	321-153U	Bushing, Urethane	6		
	5 334-315	Assembly, Bolt; 7/8"-14 x 5 1/4"Lg	6	0001-08	Incl. Bolt & Flanged Lock Nut
✓●	6 338-200	Saddle, U-Bolt; 3"W x 7 3/4"Lg x 1 3/4"H	2	08677-01	7/8" or 3/4" U-Bolts Down
	7 SP	Seat, Axle	2	18875-XX	Specify Height & Axle Type
	8 338-388	Plate, Bottom Clamp; U-Bolt; 5" Round Axle; Fabricated	2	0538-00	Use 338-415
	338-389	Plate, Bottom Clamp; U-Bolt; 5" Square Axle; Fabricated	2	0149-00	Use 338-471
✓✓	9 361-248	Kit, U-Bolt; Round Bend, Grade 5	4	21090-125	7/8" x 3" x 12 1/2" R
✓✓	361-218	Kit, U-Bolt; Round Bend, Grade 5	4	21091-140	7/8" x 3" x 14 1/2" R
	361-492	Kit, U-Bolt; Round Bend, Grade 5	4		7/8" X 3 X 16 1/2" R
	361-589	Kit, U-Bolt; Round Bend, Grade 8	4		7/8" x 3" x 12 1/2" R
	361-374	Kit, U-Bolt; Round Bend, Grade 8	4	08496-01	7/8" x 3" x 14 1/2" R
✓✓	361-168	Kit, U-Bolt; Round Bend, Grade 8	4	08501-01, 09709-01	7/8" x 3" x 16 1/2" R
	See Chart	Kit, U-Bolt	4		See Chart on Page 1051
	10 354-7555	Air Spring	2	18813-01, 20018-01	
	11 345-768	Rod, Track; Rigid	1	20012-01	42" Frame; Incl. 321-153 Bushings
●	345-709	Torque Rod, Adjustable; 37 1/2"-39 3/4"Lg	1	17857-01	42" Frame; Incl. 321-153 Bushings
●	345-902	Rod, Track; Rigid; 44"Lg c/c	1	10910-01	48" Frame; Incl. 321-153 bushings
●	345-710	Torque Rod, Adjustable; 42"-44 1/4"Lg	1	18869-01	48" Frame; Incl. 321-153 Bushings
●	12 338-1460	Bracket, Track Rod	2	21491-01	Fabricated
●	334-1952	Kit, Service; Track Rod Bracket	1	TK21962	Incl. Brackets & Hdwe.
✓✓	13 M66884	Shock Absorber	2		See Shock Catalog for Model Specific Applications
✓✓●	14 334-750	Valve, Height Control; Universal	1		
✓●	15 334-751	Linkage Assembly; Universal; Adjustable	1		3 5/8"-19 5/8" Range; Use w/All Height Control Valves
●	16 334-1953	Pad, Wear	2	22660-01	Also Used on Model 99
	17 TRA-074	Spring; LH	1	19913-01	See Leaf Spring Web Catalog for Details
	TRA-075	Spring; RH	1	19914-01	See Leaf Spring Web Catalog for Details

Model 101
 (Torque Leaf)
Tractor Four Spring Suspension

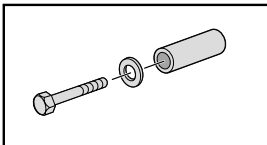
Reyco

Reyco

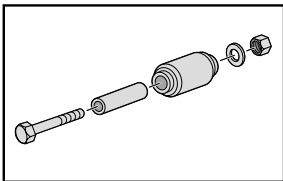


Semi-Round (Ford Only)
361-328
 7/8" x 3 x 18-3/8" FR
 (for other lengths see
 Ford Single Axle Rear)

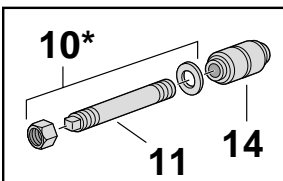
Semi-Round (Ford Only)
 Cast # D7HT5208BA



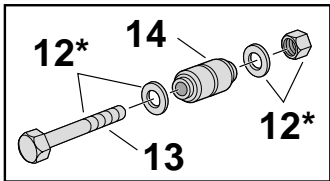
Key 2* - Rebound Bolt Kit



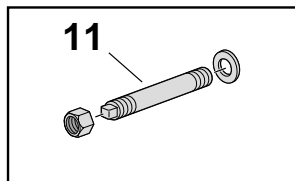
Key 6* - Rebound Bolt Assembly



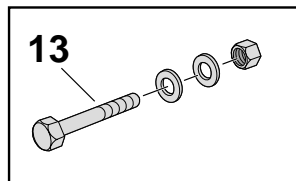
Key 8* - Equalizer Shaft & Bushing Assembly



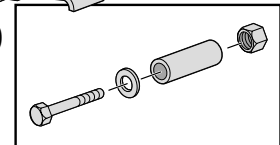
Key 9* - Equalizer Bolt & Bushing Assembly



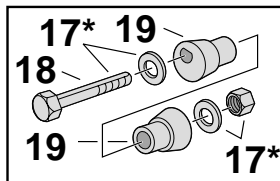
Key 10* - Equalizer Shaft Assembly



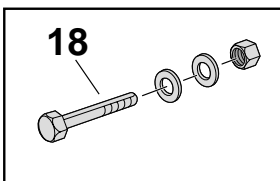
Key 12* - Equalizer Bolt Assembly



Key 15* - Rebound Bolt Assembly



Key 16* - Torque Rod Bolt & Bushing Assembly



Key 17* - Torque Rod Bolt Assembly

Suspension Illustration

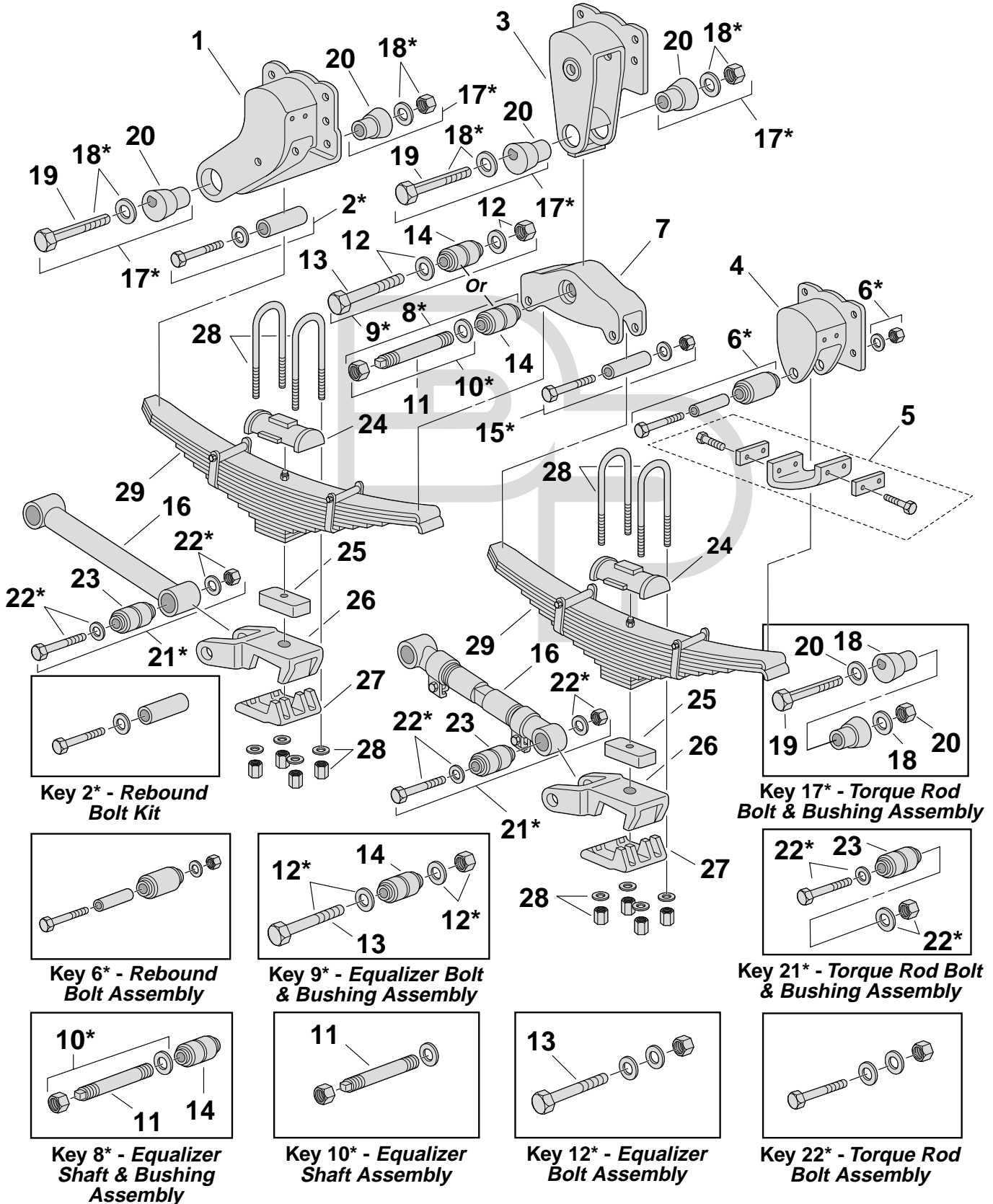
Key No.	Part Number	Description	No. Req.	OEM Reference	Remarks
1	338-294	Hanger; LH; Standard Drill*	1	10105-01	Casting No. 11123-00
	338-295	Hanger; RH; Standard Drill*	1	10106-01	Casting No. 11124-00
	338-261	Hanger; LH; Undrilled	1	10185-01	
	338-262	Hanger; RH; Undrilled	1	10184-01	
2	334-270	Assembly, Bolt; Rebound; 1/2"-20 x 4 1/2"Lg	2		Incl. Bolt, Tube & Lock Washer
3	338-296	Hanger; Standard Drill*	2	10107-01	Casting No. 09610-00
	338-263	Hanger; Undrilled	2	10186-01	
● 4	338-297	Hanger; LH; Standard Drill*	1	10111-01	Casting No. 11125-00
	338-298	Hanger; RH; Standard Drill*	1	10110-01	Casting No. 11126-00
	338-264	Hanger; LH; Undrilled	1	10189-01	
	338-265	Hanger; RH; Undrilled	1	10190-01	
✓ ● 5	334-276	Pad, Wear	2	TK14168	Incl. Pad, Clamp Plates & Screws
6	334-272	Assembly, Bolt; Rebound; 1/2"-20 x 5 1/2"Lg	2		Incl. Bush., Bolt, Tube, Rubber Roller & Lock Nut
✓✓ ● 7	338-300	Assembly, Equalizer	2	09120-01	Model 101; Standard; Pre-1984; Casting No. 08917-01, 12857-01
✓✓ ●	338-724	Assembly, Equalizer	2	14723-01	Model 101; Standard; 1984 & After; Casting No. 08917-01, 12857-01
●	338-343	Assembly, Equalizer	2	08996-01	Model 101; Ford, Pre-1984; Use 338-328
	338-328	Assembly, Equalizer	2	08918-01	Model 101; Ford, 1984 & After; GMC, All; Casting No. 08917-01, 12857-01
✓	334-243	Assembly, Shaft & Bushing; Standard	2	TK19056	<1984; Incl. 334-240 Shaft Assy. & 321-152 Bush.
	334-1012	Assembly, Shaft & Bushing; Standard	2	TK19165	1984 & After; Incl. 334-240 Shaft Assy. & 321-191 Bushing
9	334-293	Assembly, Bolt & Bushing	2		GMC, All; Ford, 1984 & Up; Incl. 321-159 Bushing & 334-292 Bolt Assembly
✓✓	334-240	Assembly, Shaft; Standard	2		Incl. Shaft, Nut & Lock Washer
●	334-239	Shaft, Equalizer; Standard; 1 1/2"OD x 8"Lg	2	08686-01	1 7/16-12 Threads BE
12	334-292	Assembly, Bolt; 1 1/4"-12 x 8 7/8"Lg	2		Ford & GMC; Incl. Bolt, Washers & Lock Nut
13	334-289	Bolt; 1 1/4"-12 x 8 7/8"Lg	2	10949-01	GMC, All; Ford, 1984 & Up
✓ ● 14	321-152	Bushing; 1 1/2"ID x 3 1/8"OD x 4 7/16"Lg	2	08363-01	Reyco Standard; Pre-1984; w/Slots
✓ ●	321-191	Bushing; 1 1/2"ID x 3 1/8"OD x 4 1/2"Lg	2	14713-01	Reyco Standard; 1984 & Up; No Slots
	321-191U	Bushing, Urethane	2		
✓ ●	321-159	Bushing; 1 1/4"ID x 3 1/8"OD x 4 15/32"Lg	2	08915-01, 08995-01	GMC, All; Ford, 1984 & Up
✓	334-201	Kit, Rebound; 1/2"-20 x 4 3/4"Lg	4	TK19011	Incl. Tube, Bolt, Washer & Nut
✓✓	334-285	Assembly, Bolt & Bushing	4		Incl. 334-284 & 321-157 Bushings
17	334-284	Assembly, Bolt	4		Incl. 334-642 Bolt, Washers & Lock Nut
● 18	334-642	Bolt, Flat Side	4	17210-01	
✓✓ ● 19	321-157	Bushing; 1 1/16"ID x 1 13/16"OD x 2 7/8"Lg	8	T1723	Eccentric Type Bushing
●	321-157U	Bushing, Urethane	8		
20	338-396	Spacer; 3"W x 7"Lg x 1/2"Thk, 13/16" Hole	4	T7555	
	338-397	Spacer; 3"W x 7"Lg x 3/4"Thk, 13/16" Hole	4		
	338-222	Spacer; 3"W x 7 1/2"Lg x 1 1/2"Thk	4	T7654	
	338-221	Spacer; 3"W x 7 1/2"Lg x 1"Thk	4	T7716	
	338-223	Spacer; 3"W x 7 1/2"Lg x 2"Thk	4	T7655	
✓ ● 21	338-200	Saddle, U-Bolt; 3"W x 7 3/4"Lg x 1 3/4"H	4	08677-01	7/8" or 3/4" U-Bolts Down
	◆	Plate, Top	4	D7HT5708BA	Ford Only w/Semi-Round U-Bolts
22	SP	Seat, Axle	4		Specify Axle Model & Angle
23	SP	Plate, Bottom	4		Specify Axle Model & Angle
✓	361-196	Kit, U-Bolt; Round Bend, Grade 8	8	09744-01	3/4" x 3" x 15 5/8" R
	361-262	Kit, U-Bolt; Round Bend, Grade 8	8	09752-01	3/4" x 3" x 18 5/8" R
	361-539	Kit, U-Bolt; Round Bend, Grade 8	8	11330-01	3/4" x 3" x 20 5/8" R
	361-328	Kit, U-Bolt; Special Bend, Grade 8	8	D1HZ5705C	7/8" x 3" x 18 3/8" FR; Ford Only
25	Spring Assembly	Assembly, Spring	4		See Leaf Spring Web Catalog for Details

* See Hanger Charts for OE Specific Drills.

Model 101A
 (Torque Rods)
Tractor Four Spring Suspension

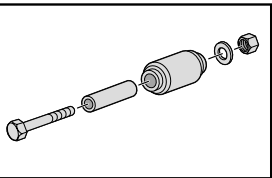
Reyco

Reyco

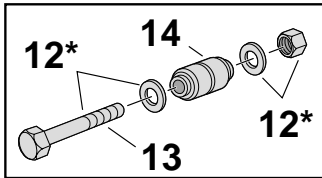


Suspension Illustration

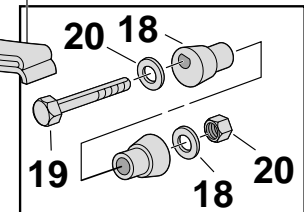
Key 2* - Rebound Bolt Kit



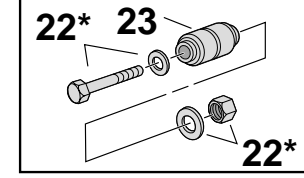
Key 6* - Rebound Bolt Assembly



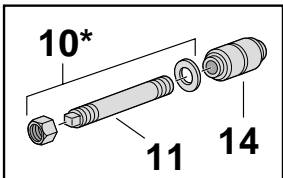
Key 9* - Equalizer Bolt & Bushing Assembly



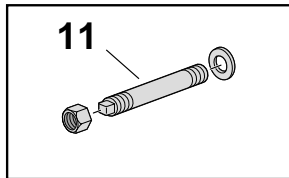
Key 17* - Torque Rod Bolt & Bushing Assembly



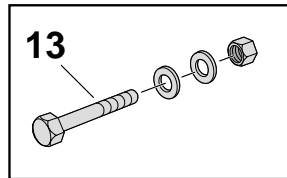
Key 21* - Torque Rod Bolt & Bushing Assembly



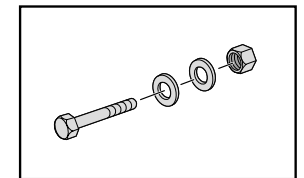
Key 8* - Equalizer Shaft & Bushing Assembly



Key 10* - Equalizer Shaft Assembly



Key 12* - Equalizer Bolt Assembly



Key 22* - Torque Rod Bolt Assembly

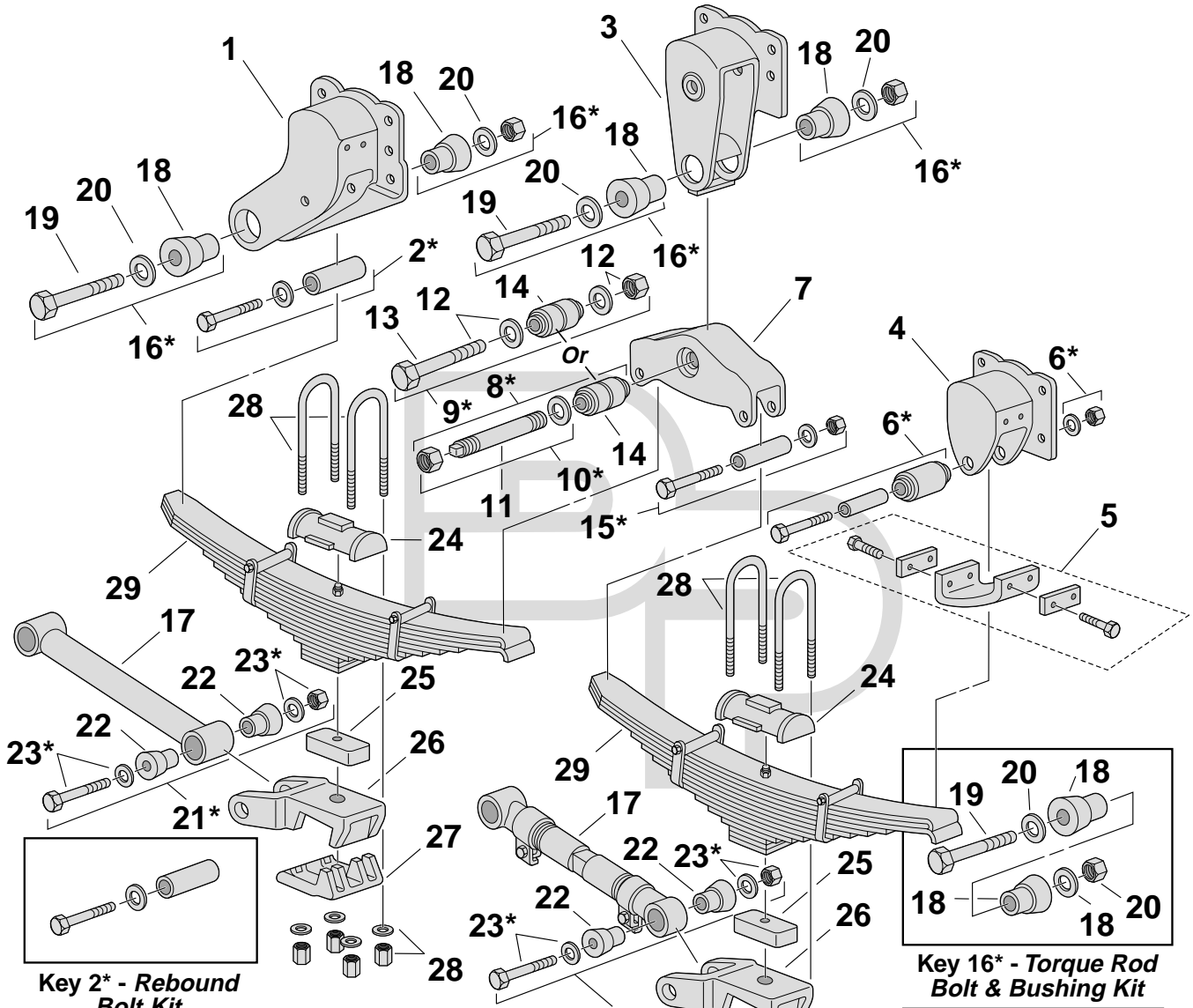
Key No.	Part Number	Description	No. Req.	OEM Reference	Remarks
1	338-294	Hanger; LH; Standard Drill*	1	10105-01	Casting No. 11123-00
	338-295	Hanger; RH; Standard Drill*	1	10106-01	Casting No. 11124-00
	338-261	Hanger; LH; Undrilled	1	10185-01	
	338-262	Hanger; RH; Undrilled	1	10184-01	
2	334-270	Assembly, Bolt; Rebound; 1/2"-20 x 4 1/2"Lg	2		Incl. Bolt, Tube & Lock Washer
3	338-296	Hanger; Standard Drill*	2	10107-01	Casting No. 09610-00
	338-263	Hanger; Undrilled	2	10186-01	
●	338-297	Hanger; LH; Standard Drill*	1	10111-01	Casting No. 11125-00
●	338-298	Hanger; RH; Standard Drill*	1	10110-01	Casting No. 11126-00
●	338-264	Hanger; LH; Undrilled	1	10189-01	
●	338-265	Hanger; RH; Undrilled	1	10190-01	
✓	334-276	Pad, Wear	2	TK14168	Incl. Pad, Clamp Plates & Screws
	334-272	Assembly, Bolt; Rebound; 1/2"-20 x 5 1/2"Lg	2		Incl. Bolt, Tube, Rubber Roller & Lock Nut
●	338-1414	Assembly, Equalizer; Incl. 321-191	2	14743-01	Models 101A, 102, 102W; Standard; Casting No. 08917-01, 12857-01
●	338-1415	Assembly, Equalizer; Incl. 321-159	2	12859-01	Models 101A, 102, 102W; GM & Ford; Casting No. 08917-01, 12857-01
8	334-1012	Assembly, Shaft & Bushing; Standard	2	TK19165	1984 & After; Incl. 334-240 Shaft Assy. & 321-191 Bushings
✓	334-243	Assembly, Shaft & Bushing; Standard	2	TK19056	<1984; Incl. 334-240 Shaft Assy. & 321-152 Bush.
9	334-293	Assembly, Bolt & Bushing	2		GMC, All; Ford, 1984 & After; Incl. 321-159 Bushing & 334-292 Bolt Assembly
✓✓	334-240	Assembly, Shaft; Standard	2		Incl. Shaft, Nut & Lock Washer
●	334-239	Shaft, Standard Equalizer; 1 1/2"OD x 8"Lg	2	08686-01	1 7/16-12 Threads BE
12	334-292	Assembly, Bolt; 1 1/4"-12 x 8 7/8"Lg	2	10949-01	Ford & GMC; Incl. Bolt, Washers & Lock Nut
13	334-289	Bolt; 1 1/4"-12 x 8 7/8"Lg	2	10949-01	GMC, All; Ford, 1984 & Up
✓ ●	321-152	Bushing; 1 1/2"ID x 3 1/8"OD x 4 7/16"Lg	2	08363-01	Reyco Standard; Pre-1984; w/Slots
✓ ●	321-191	Bushing; 1 1/2"ID x 3 1/8"OD x 4 1/2"Lg	2	14713-01	Reyco Standard; 1984 & Up; No Slots
	321-191U	Bushing, Urethane	2		
✓ ●	321-159	Bushing; 1 1/4"ID x 3 1/8"OD x 4 15/32"Lg	2	08915-01	GMC, All; Ford, 1984 & Up
✓	334-201	Kit, Rebound; 1/2"-20 x 4 3/4"Lg	4	Tk19011	Incl. Tube, Bolt, Washer & Nut
●	345-147	Torque Rod, Rigid; 19 5/16"Lg c/c	4	10937-01	50" Axle Spacing; Tube Type; Incl. 321-153 Bushing
✓ ●	345-148	Torque Rod, Rigid; 20 1/2"Lg c/c	4	11012-03	52" Axle Spacing; Cast; Incl. 321-153 Bushing
✓✓	334-285	Assembly, Bolt & Bushing	4		Incl. 334-284 & (2)321-157 Bushings
18	334-284	Assembly, Bolt	4		Incl. 334-642 Bolt, Washers & Lock Nut
●	334-642	Bolt, Flat Side	4	17210-01	
✓✓ ●	321-157	Bushing; 1 1/16"ID x 1 13/16"OD x 2 7/8"Lg	8	T1723	Eccentric Type Bushing
●	321-157U	Bushing, Urethane	8		
✓✓	334-247	Assembly, Bolt & Bushing	4		Incl. 334-246 Bolt Assembly & 321-153 Bushing
✓	334-246	Assembly, Bolt; 7/8"-9 x 5 1/2"Lg	4	10033-01	Incl. Bolt & Lock Nut
✓✓ ●	321-153	Bushing; 7/8"ID x 1 29/32"OD x 3"Lg	4	09729-01	
●	321-153U	Bushing, Urethane	4		
✓ ●	338-200	Saddle, U-Bolt; 3"W x 7 3/4"Lg x 1 3/4"H	4	08677-01	7/8" or 3/4" U-Bolts Down
25	338-396	Spacer; 3"W x 7"Lg x 1/2"Thk, 13/16" Hole	4	T7555	
	338-397	Spacer; 3"W x 7"Lg x 3/4"Thk, 13/16" Hole	4	T7850	
✓	338-221	Spacer; 3"W x 7 1/2"Lg x 1"Thk	4	T7716	
	338-222	Spacer; 3"W x 7 1/2"Lg x 1 1/2"Thk	4	T7654	
✓	338-223	Spacer; 3"W x 7 1/2"Lg x 2"Thk	4	T7655	
●	338-1440	Spacer; 1/4"	4	10599-01	
26	SP	Seat, Axle	4		Specify Axle Model & Angle
27	SP	Plate, Bottom	4		Specify Axle Model & Angle
✓	361-196	Kit, U-Bolt; Round Bend, Grade 8	8	09744-01	3/4" x 3" x 15 5/8" R
✓✓	361-262	Kit, U-Bolt; Round Bend, Grade 8	8	09752-01	3/4" x 3" x 18 5/8" R
	361-539	Kit, U-Bolt; Round Bend, Grade 8	8	11000-01, 11330-01	3/4" x 3" x 20 5/8" R
	See Chart	Kit, U-Bolt	8		See Chart on Page 1051
29	Spring Assembly	Assembly, Spring	4		See Leaf Spring Web Catalog for Details

* See Hanger Charts for OE Specific Drills.

Model 102
 (Torque Rods)
Tractor Four Spring Suspension

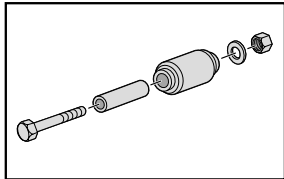
Reyco

Reyco

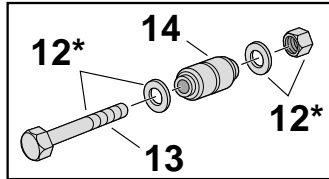


Key 2* - Rebound Bolt Kit

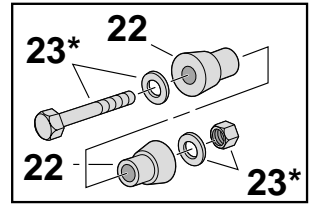
Key 16* - Torque Rod Bolt & Bushing Kit



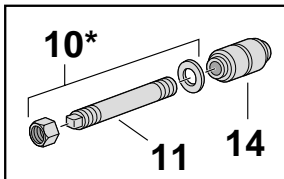
Key 6* - Rebound Bolt Assembly



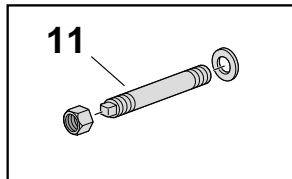
Key 9* - Equalizer Bolt & Bushing Assembly



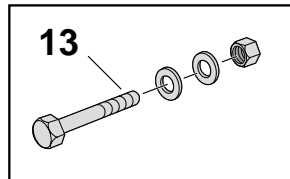
Key 21* - Torque Rod Bolt & Bushing Assembly



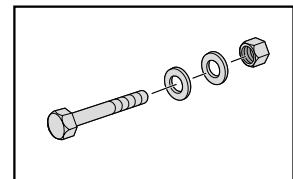
Key 8* - Equalizer Shaft & Bushing Assembly



Key 10* - Equalizer Shaft Assembly



Key 12* - Equalizer Bolt Assembly



Key 23* - Torque Rod Bolt Assembly

Suspension Illustration

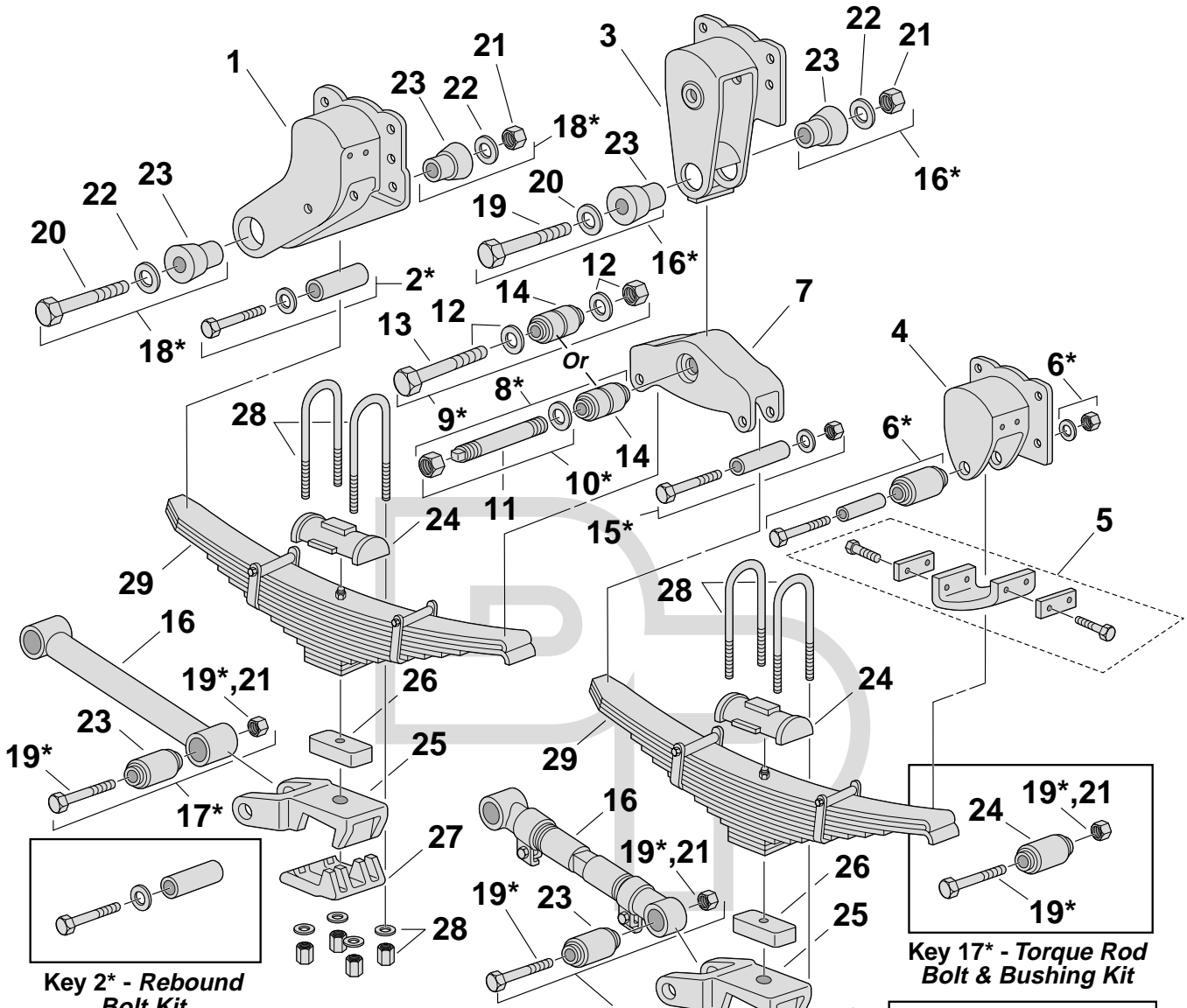
Key No.	Part Number	Description	No. Req.	OEM Reference	Remarks
1	338-294	Hanger; LH; Standard Drill*	1	10105-01	Casting No. 11123-00
	338-295	Hanger; RH; Standard Drill*	1	10106-01	Casting No. 11124-00
	338-261	Hanger; LH; Undrilled	1	10185-01	
	338-262	Hanger; RH; Undrilled	1	10184-01	
2	334-270	Assembly, Bolt; Rebound; 1/2"-20 x 4 1/2"Lg	2		Incl. Bolt, Tube & Lock Washer
3	338-296	Hanger; Standard Drill*	2	10107-01	Casting No. 09610-00
	338-263	Hanger; Undrilled	2	10186-01	
● 4	338-297	Hanger; LH; Standard Drill*	1	10111-01	Casting No. 11125-00
	338-298	Hanger; RH; Standard Drill*	1	10110-01	Casting No. 11126-00
●	338-264	Hanger; LH; Undrilled	1	10189-01	
●	338-265	Hanger; RH; Undrilled	1	10190-01	
✓ ●	334-276	Pad, Wear	2	TK14168	Incl. Pad, Clamp Plates & Screws
6	334-272	Assembly, Bolt; Rebound; 1/2"-20 x 5 1/2"Lg	2		Incl. Bolt, Tube, Rubber Roller & Lock Nut
● 7	338-1414	Assembly, Equalizer	2	14743-01	Models 101A, 102, 102W; Standard; Incl. 321-191; Casting No. 08917-01 & 12857-01 Models 101A, 102, 102W; GM & Ford; Incl. 321-159; Casting No. 08917-01 & 12857-01
	338-1415	Assembly, Equalizer	2	12859-01	
✓ 8	334-243	Assembly, Shaft & Bushing	2	TK19056	Standard; Pre-1984; Incl. 334-240 Shaft Assy. & 321-152 Bushing Standard; 1984 & Up; Incl. 334-240 Shaft Assy. & 321-191 Bushing
	334-1012	Shaft & Bushing	2	TK19165	
9	334-293	Assembly, Bolt & Bushing	2		Incl. 321-159 Bushing and 334-292 Bolt Assembly; GMC All; Ford 1984 & Up
✓✓	334-240	Assembly, Shaft, Standard	2		Includes Shaft, Nut & Lock Washer
● 11	334-239	Shaft, Equalizer; Standard; 1 1/2"OD x 8"Lg	2	08686-01	1 7/16-12 Threads BE
12	334-292	Assembly, Bolt; 1 1/4"-12 x 8 7/8"Lg	2	10949-01	Incl. Bolt, Washers & Lock Nut; Ford & GMC
13	334-289	Bolt, 1 1/4"-12 x 8 7/8"Lg	2	10949-01	GMC, All; Ford, 1984 & Up
✓ ● 14	321-152	Bushing; 1 1/2"ID x 3 1/8"OD x 4 7/16"Lg	2	08363-01	Standard; Pre-1984; w/Slots
✓ ●	321-191	Bushing; 1 1/2"ID x 3 1/8"OD x 4 1/2"Lg	2	14713-01	Standard; 1984 & Up; No Slots
	321-191U	Bushing, Urethane	2		
✓ ●	321-159	Bushing; 1 1/4"ID x 3 1/8"OD x 4 15/32"Lg	2	08915-01	GMC, All; Ford, 1984 & Up
✓	334-201	Kit, Rebound, 1/2"-20 x 4 3/4"Lg	4	TK19011	Incl. Tube, Bolt, Washer & Nut
✓✓	334-896	Assembly, Bolt & Bushing	4	TK21640, TK19152	Incl. Bolt, 321-285 Bushings & Hdwe.
● 17	345-113	Torque Rod, Rigid; 19 1/4"Lg c/c	2	T7645	Bushings Not Included
●	345-121	Torque Rod, Rigid; 21"Lg c/c	2/1	15012-01	52" Axle Spacing, Front & Rear; 60" Axle Spacing, Front; Bushings Not Included
	◆	Torque Rod, Rigid	1	09686-01	60" Axle Spacing, Rear; Use 345-697
✓✓ ●	345-198	Torque Rod, Adjustable; 19 1/2"-21 3/4"Lg	2	15174-01, 15354-01	50"-52" Axle Spacing, Front & Rear; 60" Axle Spacing, Front; Bushings Not Included
●	345-697	Torque Rod, Adjustable; 24"-26 1/4"Lg	2	15176-01, 09682-01	60" Axle Spacing, Rear; Bushings Not Included
● 18	321-285	Bushing; 1"ID x 1 3/4"OD x 2 7/8"Lg	8	21238-01	Hanger End; New Style
	321-285U	Bushing, Urethane	8		
✓✓	334-203	Bolt; 1"-14 x 7 1/4"Lg	4	T5492	
20	334-282	Washer; 1 1/8"ID x 3 3/4"OD x 5/16"Thk	4	T1724	
✓✓	334-253	Assembly, Bolt & Bushing	4		Incl. 334-644 Bolt, 321-147 Bushings & Hdwe.
✓✓ ● 22	321-147	Bushing; 1"ID x 1 3/4"OD x 2 1/16"Lg	8	T2242	
	321-147U	Bushing, Urethane	8		
23	334-218	Assembly, Bolt; 1"-14 x 6 3/4"Lg	4	14181-01	Incl. Bolt & Hdwe.
✓ ● 24	338-200	Saddle, U-Bolt; 3"W x 7 3/4"Lg x 1 3/4"H	4	08677-01	7/8" or 3/4" U-Bolts Down
25	338-396	Spacer; 3"W x 7"Lg x 1/2"Thk, 13/16" Hole	4	T7555	
	338-397	Spacer; 3"W x 7"Lg x 3/4"Thk, 13/16" Hole	4	T7850	
✓	338-221	Spacer; 3"W x 7 1/2"Lg x 1"Thk	4	T7716	
	338-222	Spacer; 3"W x 7 1/2"Lg x 1 1/2"Thk	4	T7654	
✓	338-223	Spacer; 3"W x 7 1/2"Lg x 2"Thk	4	T7655	
●	338-1440	Spacer; 1/4"	4	10599-01	
26	SP	Seat, Axle	4		Specify Axle Model & Angle
27	SP	Plate, Bottom	4		Specify Axle Model & Angle
✓	361-196	Kit, U-Bolt; Round Bend, Grade 8	8	09744-01	3/4" x 3" x 15 5/8" R
✓✓	361-262	Kit, U-Bolt; Round Bend, Grade 8	8	09752-01	3/4" x 3" x 18 5/8" R
	See Chart	Kit, U-Bolt	8		See Chart on Page 1051
29	Spring Assembly	Assembly, Spring	4		See Leaf Spring Web Catalog for Details

* See Hanger Charts for OE Specific Drills.

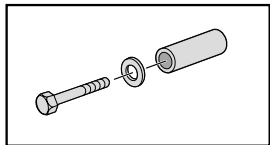
Model 102W
 (Torque Rods)
Tractor Four Spring Suspension

Reyco

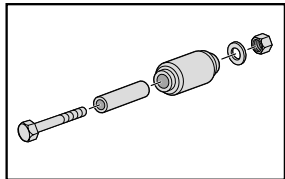
Reyco



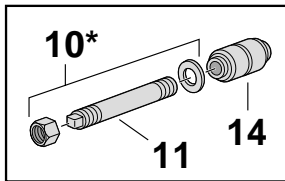
Suspension Illustration



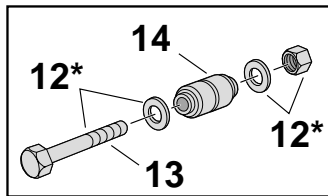
Key 2* - Rebound Bolt Kit



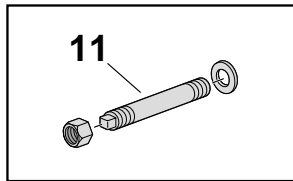
Key 6* - Rebound Bolt Assembly



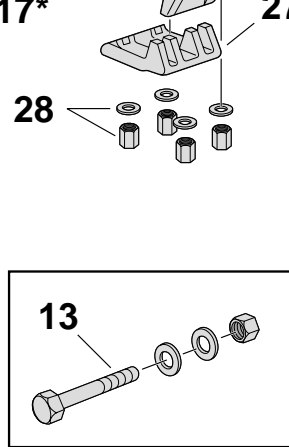
Key 8* - Equalizer Shaft & Bushing Assembly



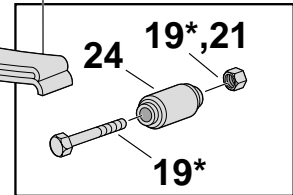
Key 9* - Equalizer Bolt & Bushing Assembly



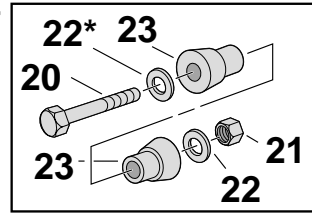
Key 10* - Equalizer Shaft Assembly



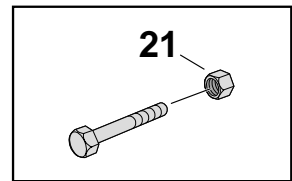
Key 12* - Equalizer Bolt Assembly



Key 17* - Torque Rod Bolt & Bushing Kit



Key 18* - Torque Rod Bolt & Bushing Assembly



Key 19* - Torque Rod Bolt Assembly

Key No.	Part Number	Description	No. Req.	OEM Reference	Remarks
1	338-294	Hanger; LH; Standard Drill*	1	10105-01	Casting No. 11123-00
	338-295	Hanger; RH; Standard Drill*	1	10106-01	Casting No. 11124-00
	338-261	Hanger; LH; Undrilled	1	10185-01	
	338-262	Hanger; RH; Undrilled	1	10184-01	
2	334-270	Assembly, Bolt; Rebound; ½"-20 x 4 ½"Lg	2		Incl. Bolt, Tube & Lock Washer
3	338-296	Hanger; Standard Drill*	2	10107-01	Casting No. 09610-00
	338-263	Hanger; Undrilled	2	10186-01	
●	338-297	Hanger; LH; Standard Drill*	1	10111-01	Casting No. 11125-00
●	338-298	Hanger; RH; Standard Drill*	1	10110-01	Casting No. 11126-00
●	338-264	Hanger; LH; Undrilled	1	10189-01	
●	338-265	Hanger; RH; Undrilled	1	10190-01	
✓●	334-276	Pad, Wear	2	TK14168	Incl. Pad, Clamp Plates & Screws
	334-272	Assembly, Bolt; Rebound; ½"-20 x 5 ½"Lg	2		Incl. Bolt, Tube, Rubber Roller & Lock Nut
●	338-1414	Assembly, Equalizer	2	14743-01	Models 101A, 102, 102W; Standard; Incl. 321-191; Casting No. 08917-01, 12857-01
●	338-1415	Assembly, Equalizer	2	12859-01	Models 101A, 102, 102W; GM & Ford; Incl. 321-159; Casting No. 08917-01, 12857-01
✓	334-243	Assembly, Shaft & Bushing	2	TK19056	Standard; <1984; Incl. 334-240 Shaft Assy. & 321-152 Bush.
	334-1012	Assembly, Shaft & Bushing	2	TK19165	Standard; >1984; Incl. 334-240 Shaft Assy. & 321-191 Bush.
	334-293	Assembly, Bolt & Bushing	2		Incl. 321-159 Bushing and 334-292 Bolt Assembly; GMC All Year; Ford 1984 & Up
✓✓	334-240	Assembly, Shaft	2		Standard; Incl. Shaft, Nut & Lock Washer
●	334-239	Shaft, Equalizer; 1 ½"OD x 8"Lg	2	08686-01	Standard; 1 7/16-12 Threads BE
	334-292	Assembly, Bolt; 1 ¼"-12 x 8 7/8"Lg	2	10949-01	Ford & GMC; Incl. Bolt, Washers & Lock Nut
	334-289	Bolt; 1 ¼"-12 x 8 7/8"Lg	2	10949-01	GMC, All; Ford, 1984 & Up
✓●	321-152	Bushing; 1 ½"ID x 3 ½"OD x 4 7/16"Lg	2	08363-01	Standard; Pre 1984; With Slots
✓●	321-191	Bushing; 1 ½"ID x 3 ½"OD x 4 ½"Lg	2	14713-01	Standard; 1984 & Up; No Slots
	321-191U	Bushing, Urethane	2		
✓●	321-159	Bushing; 1 ¼"ID x 3 ½"OD x 4 15/32"Lg	2	08915-01	GMC, All; Ford, 1984 & Up
✓	334-201	Kit, Rebound; ½"-20 x 4 ¾"Lg	4	TK19011	Incl. Tube, Bolt, Washer & Nut
●	345-147	Torque Rod, Rigid; 19 5/16"Lg c/c	2	10937-01	50" Axle Spacing, Front and Rear; Incl. (1)321-153 Bushing
✓●	345-148	Torque Rod, Rigid; 20 ½"Lg c/c	2	11012-03	52" Axle Spacing, Front and Rear; Incl. (1)321-153 Bushing
	SP	Torque Rod, Rigid	1	12051-01	60" Axle Spacing, Front
	SP	Torque Rod, Rigid	1	14127-01	60" Axle Spacing, Rear
●	345-151	Torque Rod, Adjustable; 17 ½"-19 ½"Lg	2	15187-01	50" Axle Spacing, Front and Rear; Incl. (1)321-153 Bushing
✓●	345-153	Torque Rod, Adjustable; 19 ½"-21 ½"Lg	2	15186-01	52" Axle Spacing, Front and Rear; Incl. (1)321-153 Bushing
	SP	Torque Rod, Adjustable	2	16135-01	60" Axle Spacing, Front & Rear
✓✓	334-247	Assembly, Bolt & Bushing	4		Incl. 334-246 Bolt Assembly & 321-153 Bushing
✓✓	334-896	Assembly, Bolt & Bushing	4	TK21640, TK19152	Incl. Bolt, 321-285 Bushings & Hdwe.
✓	334-246	Assembly, Bolt; 7/8"-9 x 5 ½"Lg	4	10033-01	Seat End; Incl. Bolt & Lock Nut
✓✓	334-203	Bolt; 1"-14 x 7 ¼"Lg	4	T5492	Hanger End
✓✓	SLN-107	Nut, Lock; 1"-14	8		
	334-282	Washer; 1 ½"ID x 3 ¾"OD x 5/16"Thk	4	T1724	
✓✓●	321-153	Bushing; 7/8"ID x 1 29/32"OD x 3"Lg	4	09729-01	
●	321-153U	Bushing, Urethane	4		
●	321-285	Bushing; 1"ID x 1 ¾"OD x 2 7/8"Lg	8	21238-01	Hanger End; New Style
	321-285U	Bushing, Urethane	8		
✓●	338-200	Saddle, U-Bolt; 3"W x 7 ¾"Lg x 1 ¾"H	4	08677-01	7/8" or ¾" U-Bolts Down
	SP	Seat, Axle	4		Specify Axle Model & Angle
	338-396	Spacer; 3"W x 7"Lg x ½"Thk, 13/16" Hole	4	T7555	
	338-397	Spacer; 3"W x 7"Lg x ¾"Thk, 13/16" Hole	4		
✓	338-221	Spacer; 3"W x 7 ½"Lg x 1"Thk	4	T7716	
	338-222	Spacer; 3"W x 7 ½"Lg x 1 ½"Thk	4	T7654	
✓	338-223	Spacer; 3"W x 7 ½"Lg x 2"Thk	4	T7655	
●	338-1440	Spacer; ¼"	4	10599-01	
	SP	Plate, Bottom	4		Specify Axle Model & Angle
✓	361-196	Kit, U-Bolt; Round Bend, Grade 8	8	09744-01	¾" x 3" x 15 5/8" R
✓✓	361-262	Kit, U-Bolt; Round Bend, Grade 8	8	09752-01	¾" x 3" x 18 5/8" R
	361-539	Kit, U-Bolt; Round Bend, Grade 8	8	11000-01, 11330-01	¾" x 3" x 20 5/8" R
	See Chart	Kit, U-Bolt	8		See Chart on Page 1051
	29 Spring Assembly	Assembly, Spring	4		See Leaf Spring Web Catalog for Details

* See Hanger Charts for OE Specific Drills.

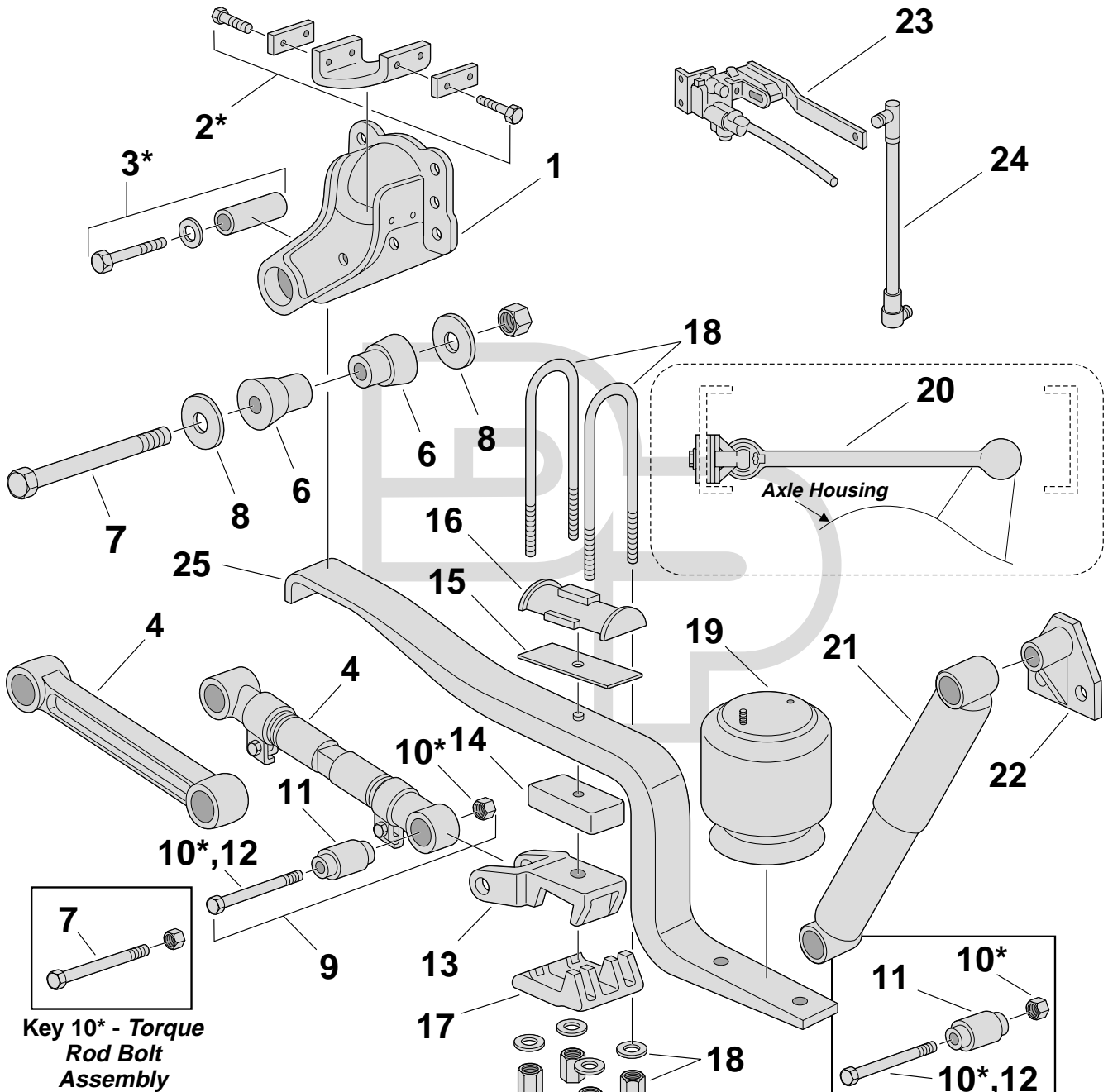
SP Special Order ♦ Not Serviced by Dayton Parts ● Product Illustration/Photo Follows ✓ Popular ✓✓ Most Popular

Reference www.daytonparts.com for continuing updates.

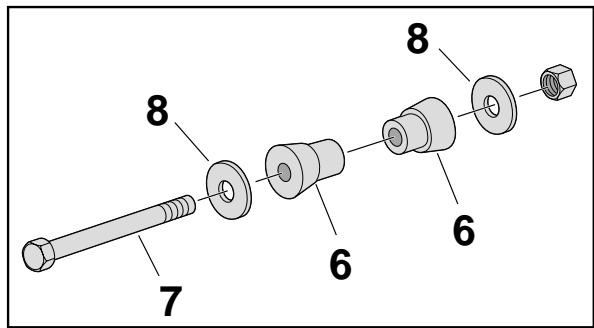
**102AR
Single/Tandem Axle
Tractor Air Suspension**

Reyco

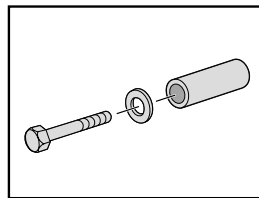
Reyco



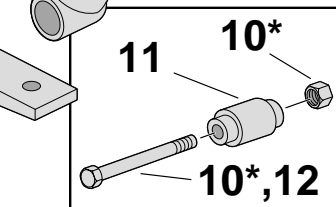
Suspension Illustration



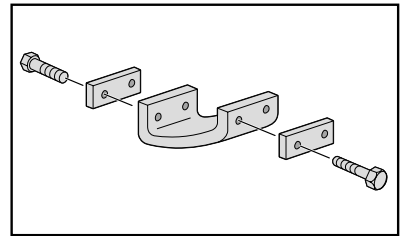
Key 5* - Torque Rod Bolt & Bushing Kit



Key 3* - Rebound Kit



Key 9* - Torque Rod Bolt & Bushing Assembly



Key 2* - Wear Pad

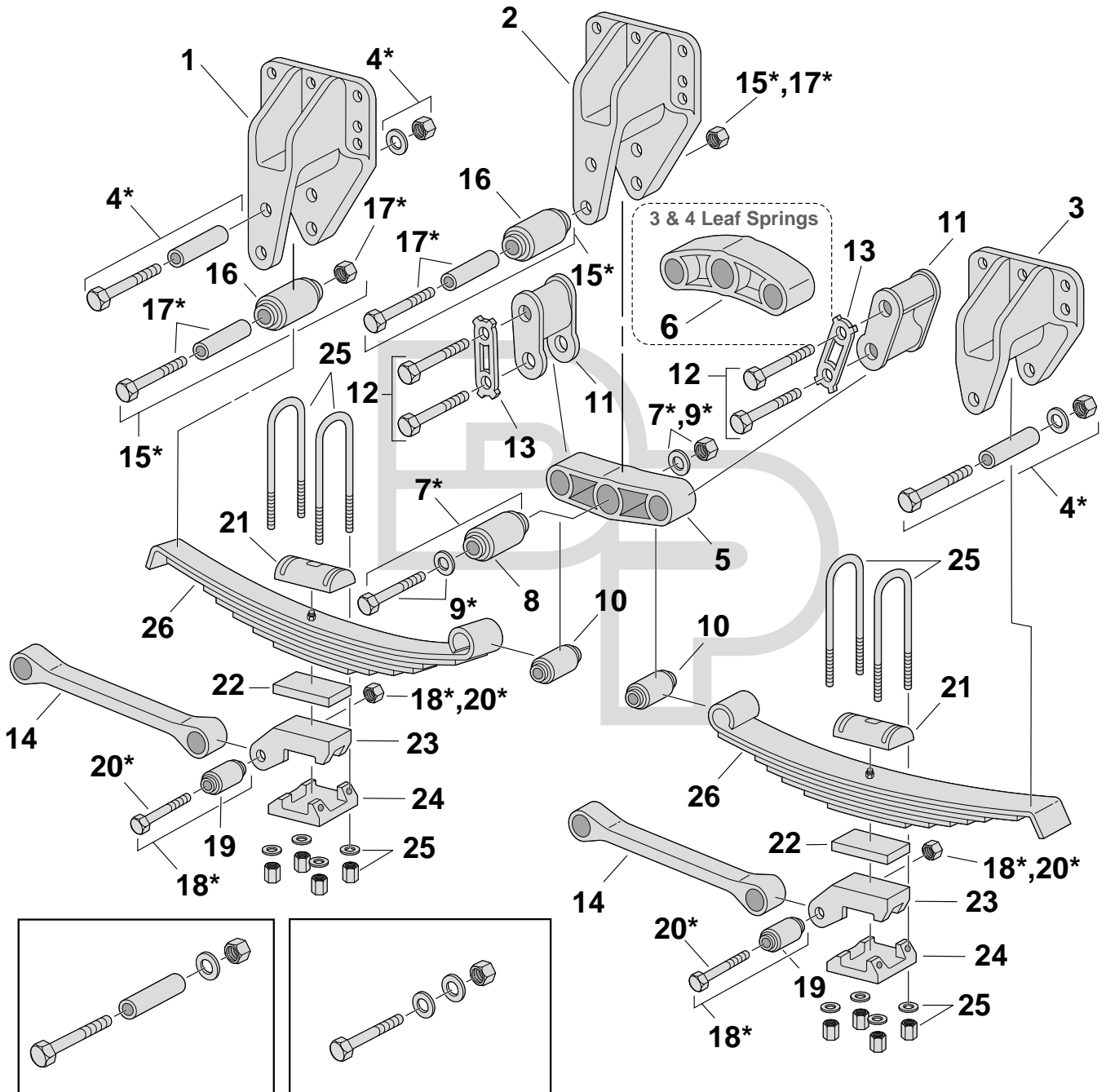
Key No.	Part Number	Description	No. Req.	OEM Reference	Remarks
●	1 338-1432	Hanger; LH	1	15715-01	
●	338-1431	Hanger; RH	1	15714-01	
✓	2 334-276	Pad, Wear	2	TK14168	Incl. Pad, Clamp Plates & Screws
●	3 334-835	Assembly, Bolt; Rebound; 1/2"-20 x 4 1/2"Lg	2	TK19182	Incl. Bolt, Rebound Bushing & Hdwe.
✓	4 345-148	Torque Rod, Rigid; 20 1/2"Lg c/c	1	11012-03	Incl. 321-153 Bushing; 52" Axle Spacing
✓	345-153	Torque Rod, Adjustable; 19 1/2"-21 1/2"Lg	1	15186-01	Incl. 321-153 Bushing; 52" Axle Spacing
✓✓	5 334-896	Assembly, Bolt & Bushing	2	TK21640, TK19152	Incl. Bolt, 321-285 Bushings & Hdwe.
●	6 321-285	Bushing; 1"ID x 1 3/4"OD x 2 7/8"Lg	2	21238-01	Hanger End; New Style
	321-285U	Bushing, Urethane	2		
●	321-158	Bushing	2	T1842	Replaced by 321-285
✓✓	7 334-203	Bolt; 1"-14 x 7 1/4"Lg	2	T5492	
	8 334-282	Washer; 1 1/8"ID x 3 3/4"OD x 5/16"Thk	4	T1724	
✓✓	9 334-247	Assembly, Bolt & Bushing	2		Incl. 334-246 Bolt Assembly & 321-153 Bushing
✓	10 334-246	Assembly, Bolt; 7/8"-9 x 5 1/2"Lg	2	10033-01	Incl. Bolt & Lock Nut
✓✓	11 321-153	Bushing; 7/8"ID x 1 29/32"OD x 3"Lg	2	09729-01	
✓	12 334-244	Bolt; 7/8"-9 x 5 1/2"Lg	2	10033-01	
	13 SP	Seat, Axle	2		Specify Axle Model & Angle
●	338-2079	Bracket, Seat ; 4°; 4 5/8" Axle	2	20804-01	
✓	14 338-221	Spacer; 3"W x 7 1/2"Lg x 1"Thk	2	T7716	
	15 GL-295	Liner; 2 7/8" x 8"Lg w/ 7/8" Hole	2		
✓	16 338-200	Saddle, U-Bolt; 3"W x 7 3/4"Lg x 1 3/4"H	2	08677-01	7/8" or 3/4" U-Bolts Down
	17 SP	Plate, Bottom	2		Specify Axle Model & Angle
✓✓	18 361-469	Kit, U-Bolt; Round Bend, Grade 8	4		3/4" x 3" x 12 5/8" R
✓	361-196	Kit, U-Bolt; Round Bend, Grade 8	4	09744-01	3/4" x 3" x 15 5/8" R
✓✓	361-262	Kit, U-Bolt; Round Bend, Grade 8	4	09752-01	3/4" x 3" x 18 5/8" R
	See Chart	Kit, U-Bolt	4		See Chart on Page 1051
	19 352-9223	Air Spring	2	12884-01	
●	20 345-702	Torque Rod, Adjustable; 24"-26 1/4"	1	16429-01	Incl. (2)321-153 Bushings
✓	21 M66638	Shock Absorber	2	19623-01	
✓	M66891	Shock Absorber	2	17794-01	
✓✓	M66884	Shock Absorber	2	19824-01	
✓	M66894	Shock Absorber	2	17146-01	
✓	M65401	Shock Absorber	2	12887-01	
	See Shocks	Shock Absorber	2	Various	Consult Shock Catalog for Model Specific Applications
●	22 334-1029	Bracket, Upper; Shock; LH-RH	2	18256-01	
✓✓	23 334-750	Valve, Height Control; Universal	1	Various	Hadley - Model 450HCV
✓	24 334-751	Linkage Assembly; Universal; Adjustable	1	Various	3 5/8"-19 5/8" Range; Use w/All Height Control Valves
	25 83-167	Z Spring; 1 3/4"Thk	2	15676-01	17k-23k; See Leaf Spring Web Catalog for Details
	83-255	Z Spring; 2"Thk	2	15676-03	20k-26k; See Leaf Spring Web Catalog for Details

Key No.	Part Number	Description	No. Req.	OEM Reference	Remarks
1	SP	Hanger, Front; LH	1	14147-01, 22517-01	3/4" Mounting Bolts
	SP	Hanger, Front; RH	1	14146-01, 22517-02	3/4" Mounting Bolts
	SP	Hanger, Front; LH	1	13141-01, 22515-01	5/8" Mounting Bolts
	SP	Hanger, Front; RH	1	13140-01, 22515-02	5/8" Mounting Bolts
2	SP	Hanger, Rear; LH	1	14149-01, 22535-01	3/4" Mounting Bolts
	SP	Hanger, Rear; RH	1	14148-01, 22535-02	3/4" Mounting Bolts
	SP	Hanger, Rear; LH	1	13143-01, 22534-01	5/8" Mounting Bolts
	SP	Hanger, Rear; RH	1	13142-01, 22534-02	5/8" Mounting Bolts
✓ ●	334-276	Pad, Wear	2	TK14168	Incl. Pad, Clamp Plates & Screws
	334-272	Assembly, Bolt; Rebound; 1/2"-20 x 5 1/2"Lg	2		Incl. Bushing, Bolt, Tube, Rubber Roller & Lock Nut
✓✓ ●	321-153	Bushing; 7/8"ID x 1 29/32"OD x 3"Lg	6	09729-01	
●	321-153U	Bushing, Urethane	6		
	334-270	Assembly, Bolt; Rebound; 1/2"-20 x 4 1/2"Lg	2		Incl. Bolt, Tube & Lock Washer
✓✓ ●	345-198	Torque Rod, Adjustable; 19 1/2"-21 3/4"Lg	1	15174-01	Lower; Bushings Not Included
	SP	Torque Rod, Rigid	1	13135-01	Use 345-198
✓✓	334-896	Assembly, Bolt & Bushing	2	TK21640, TK19152	Incl. Bolt, 321-285 Bushings & Hdwe.
✓✓	334-203	Bolt; 1"-14 x 7 1/4"Lg	2	T5492	
●	321-285	Bushing; 1"ID x 1 3/4"OD x 2 7/8"Lg	4	21238-01	Hanger End; New Style
	321-285U	Bushing, Urethane	4		
	334-282	Washer; 1 1/8"ID x 3 3/4"OD x 5/16"Thk	4	T1724	
✓✓	334-253	Assembly, Bolt & Bushing	2	TK19089	Incl. 334-644 Bolt, (2)321-147 Bushings & Hdwe.
	334-644	Bolt; 1"-14 x 6 3/4"Lg	2	17161-01	
✓✓ ●	321-147	Bushing; 1"ID x 1 3/4"OD x 2 11/16"Lg	4	T2242	
	321-147U	Bushing, Urethane	4		
✓	334-205	Washer, Compression; 1 1/16"ID x 2 3/4"OD x 1/4"Thk	4	T2224	
	SP	Seat, Axle	2		Specify Axle Model & Angle
●	338-1440	Spacer; 1/4"	2	10599-01	14"-15" Ride Hgt.
	338-396	Spacer; 3"W x 7"Lg x 1/2"Thk, 13/16" Hole	2	T7555	
	338-397	Spacer; 3"W x 7"Lg x 3/4"Thk, 13/16" Hole	2	T7850	
✓	338-221	Spacer; 3"W x 7 1/2"Lg x 1"Thk	2	T7716	
	338-222	Spacer; 3"W x 7 1/2"Lg x 1 1/2"Thk	2	T7654	
✓	338-223	Spacer; 3"W x 7 1/2"Lg x 2"Thk	2	T7655	
✓ ●	338-200	Saddle, U-Bolt; 3"W x 7 3/4"Lg x 1 3/4"H	2	08677-01	7/8" or 3/4" U-Bolts Down
	SP	Plate, Bottom	2		Specify Axle Model & Angle
	361-589	Kit, U-Bolt; Round Bend, Grade 8	4	08494-01	7/8" x 3" x 12 1/2" R
	361-568	Kit, U-Bolt; Round Bend, Grade 8	4	08509-01	7/8" x 5 1/8" x 10 7/8" R
✓	361-258	Kit, U-Bolt; Round Bend, Grade 8	4	08511-01	7/8" x 5 1/8" x 11 7/8" R
	361-559	Kit, U-Bolt; Round Bend, Grade 8	4	08512-01	7/8" x 5 1/8" x 12 7/8" R
✓	361-254	Kit, U-Bolt; Round Bend, Grade 8	4	08515-01	7/8" x 5 1/8" x 13 7/8" R
	361-558	Kit, U-Bolt; Round Bend, Grade 5	4	08520-01	7/8" x 5 1/8" x 15 7/8" R
	361-509	Kit, U-Bolt; Round Bend, Grade 5	4	08525-01	7/8" x 5 1/8" x 17 7/8" R
	See Chart	Kit, U-Bolt	4		See Chart on Page 1051
●	345-130	Torque Rod, Adjustable; 15"-17 1/4"Lg	2	16347-01	Incl. 321-153 Bushings
✓✓	334-247	Assembly, Bolt & Bushing	4		Incl. 334-246 Bolt Assembly & 321-153 Bushing
✓	334-244	Bolt; 7/8"-9 x 5 1/2"Lg	4	10033-01	
	Spring Assembly	Assembly, Spring	2		See Leaf Spring Web Catalog for Details

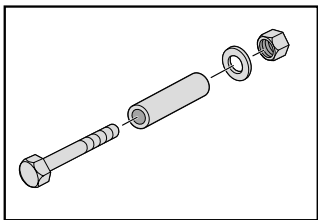
Models 181 and 101F Tractor Four Spring Suspensions

Reyco

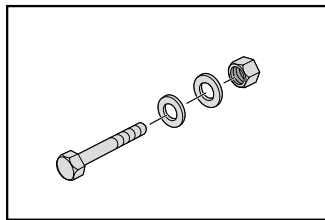
Reyco



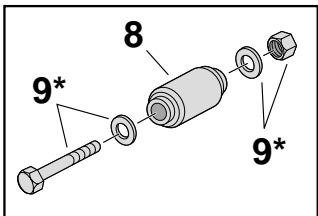
Suspension Illustration



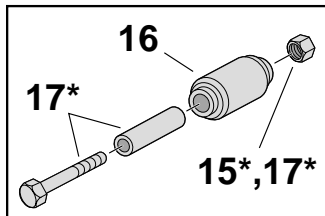
Key 4* - Spring Rebound Kit



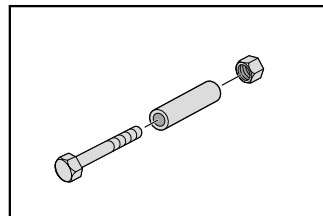
Key 9* - Equalizer Bolt Assembly



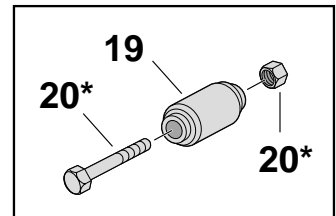
Key 7* - Equalizer Bolt & Bushing Assembly



Key 15* - Torque Rod Bolt & Bushing Assembly



Key 17* - Eccentric Torque Rod Bolt Assembly



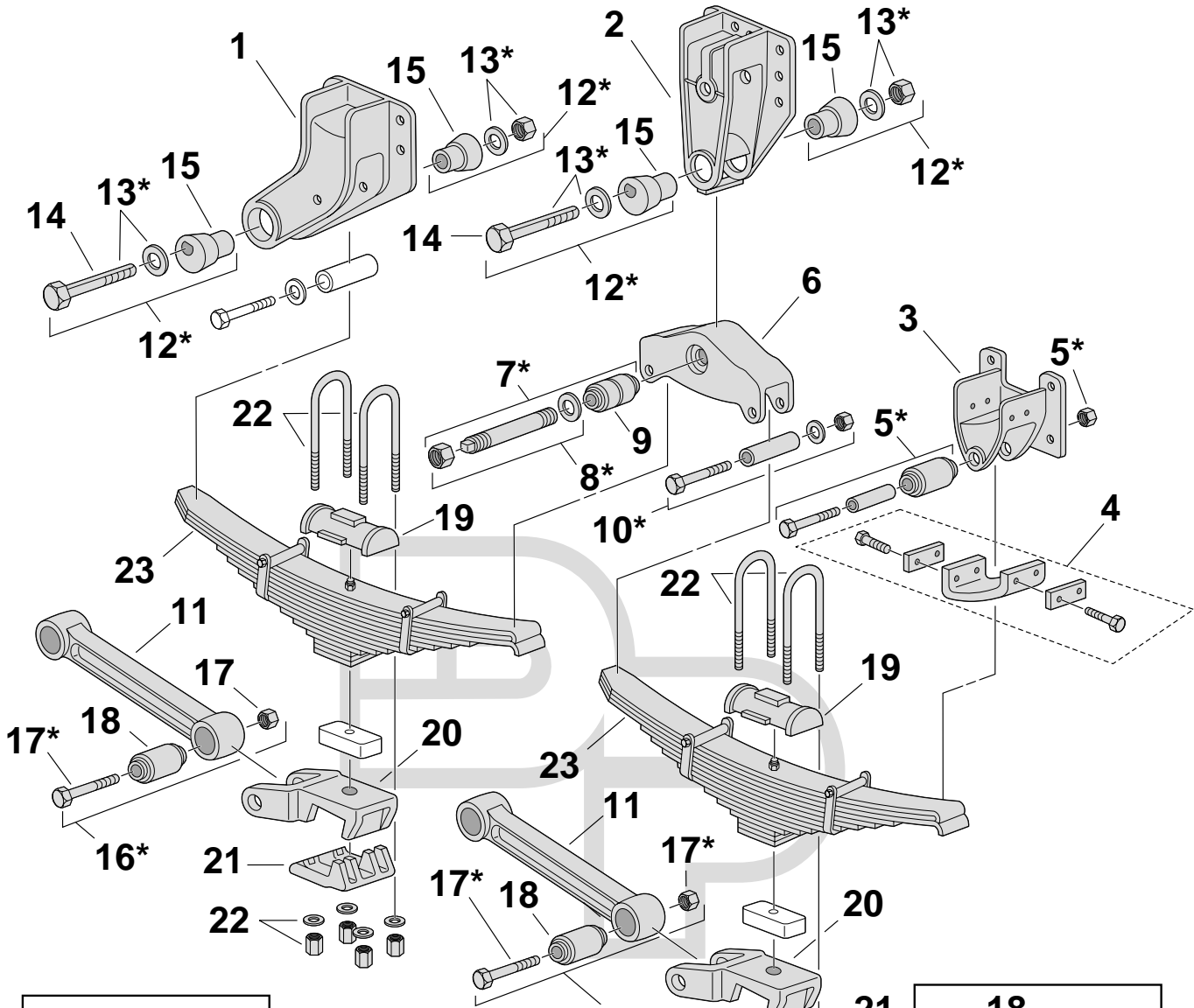
Key 18* - Torque Rod Bolt & Bushing Assembly

Key No.	Part Number	Description	No. Req.	OEM Reference	Remarks
● 1	338-347	Hanger	2	13955-01	Casting No. 11835-01
● 2	338-348	Hanger	2	13956-01	Casting No. 11836-01; Obsolete
● 3	338-349	Hanger	2	11804-01	Casting No. 11837-01
✓ 4	334-201	Kit, Rebound; 1/2"-20 x 4 3/4"Lg	4		Incl. Tube, Bolt, Washer & Nut
● 5	338-351	Assembly, Equalizer	2	13840-01, E1HT5889CA	7 Leaf Springs; Casting No. 13851-01; Obsolete
6	SP	Equalizer	2	13841-01, E1GZ5889B	3 & 4 Leaf Springs; Casting No. 13838-01; Obsolete
7	334-306	Assembly, Bolt & Bushing	2		Incl. 321-163 Bushing & 334-305 Bolt Assembly
● 8	321-163	Bushing; 1"ID x 3 1/16"OD x 3 1/4"Lg	2	13940-01	
9	334-305	Assembly, Bolt; 1"-14 x 5 1/2"Lg	2	11823-01	Incl. Bolt, Washers & Lock Nut
✓✓ ● 10	321-164	Bushing; 3/4"ID x 2 3/8"OD x 3"Lg	8	13941-01	Equalizer End & Spring Eye
● 11	338-352	Shackle; LF-RR; Threaded Boss Design	2	12853-01	Obsolete
● 12	338-353	Shackle; RF-LR; Threaded Boss Design	2	12852-01	Obsolete
12	334-307	Bolt; 3/4"-10 x 4 1/4"Lg	8	12492-01	
● 13	334-308	Strip, Lock; 5" c/c x 1/16"Thk	4	12488-01	
● 14	345-155	Torque Rod, Rigid; 14 5/16"Lg c/c	2	13948-01	Obsolete
● 15	345-156	Torque Rod, Rigid; 20 7/16"Lg c/c	2	13949-01	Obsolete
15	334-300	Assembly, Bolt & Bushing; Hanger	4		Obsolete
● 16	321-161	Bushing; 1 1/2"ID x 2 3/4"OD x 3 3/8"Lg	4	13944-01	Obsolete
17	334-299	Assembly, Bolt; Eccentric	4	11824-01	Obsolete
18	334-301	Assembly, Bolt & Bushing; Axle; New Style	4		Incl. 321-162 Bushing, 7/8" x 5 1/2"Lg Bolt & Lock Nut; Use in 345-155 & 345-156 Torque Rods Only
● 19	321-162	Bushing; 7/8"ID x 2 1/32"OD x 3"Lg	4	13945-01	Axle Seat End; New Style
✓ 20	334-246	Assembly, Bolt; 7/8"-9 x 5 1/2"Lg	4	10033-01	Incl. Bolt & Lock Nut
✓ ● 21	338-200	Saddle, U-Bolt; 3"W x 7 3/4"Lg x 1 3/4"H	4	08677-01	7/8" or 3/4" U-Bolts Down
22	338-396	Spacer; 3"W x 7"Lg x 1/2"Thk, 1 3/16" Hole	4	T7555	14"-15" Ride Hgt.
	338-397	Spacer; 3"W x 7"Lg x 3/4"Thk, 1 3/16" Hole	4	T7850	
✓	338-221	Spacer; 3"W x 7 1/2"Lg x 1"Thk	4	T7716	
23	SP	Seat, Axle	4		Specify Axle Model & Angle
24	SP	Plate, Bottom	4		Specify Axle Model & Angle
✓✓ 25	361-262	Kit, U-Bolt; Round Bend, Grade 8	8	09752-01	3/4" x 3" x 18 5/8" R
	361-539	Kit, U-Bolt; Round Bend, Grade 8	8	11000-01, 11330-01	3/4" x 3" x 20 5/8" R
	See Chart	Kit, U-Bolt	8		See Chart on Page 1051
26	Spring Assembly	Assembly, Spring	4		See Leaf Spring Web Catalog for Details

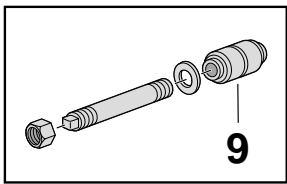
**Model 201
Tractor Four Spring Suspension**

Reyco

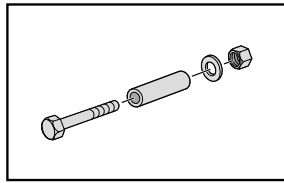
Reyco



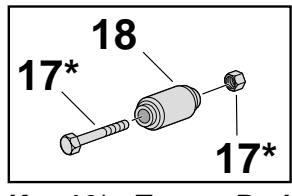
Suspension Illustration



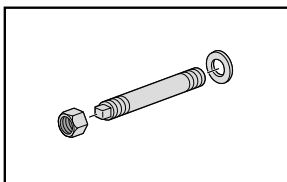
Key 9 - Equalizer Shaft & Bushing Assembly



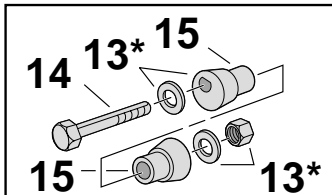
Key 10* - Spring Rebound Kit



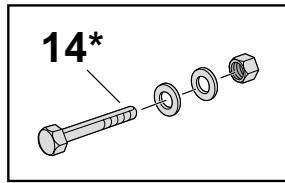
Key 16* - Torque Rod Bolt & Bushing Assembly



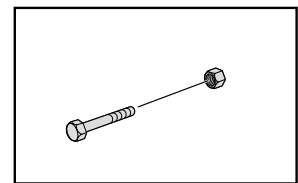
Key 8* - Equalizer Shaft Assembly



Key 12* - Torque Rod Bolt & Bushing Assembly



Key 13* - Torque Rod Bolt Assembly



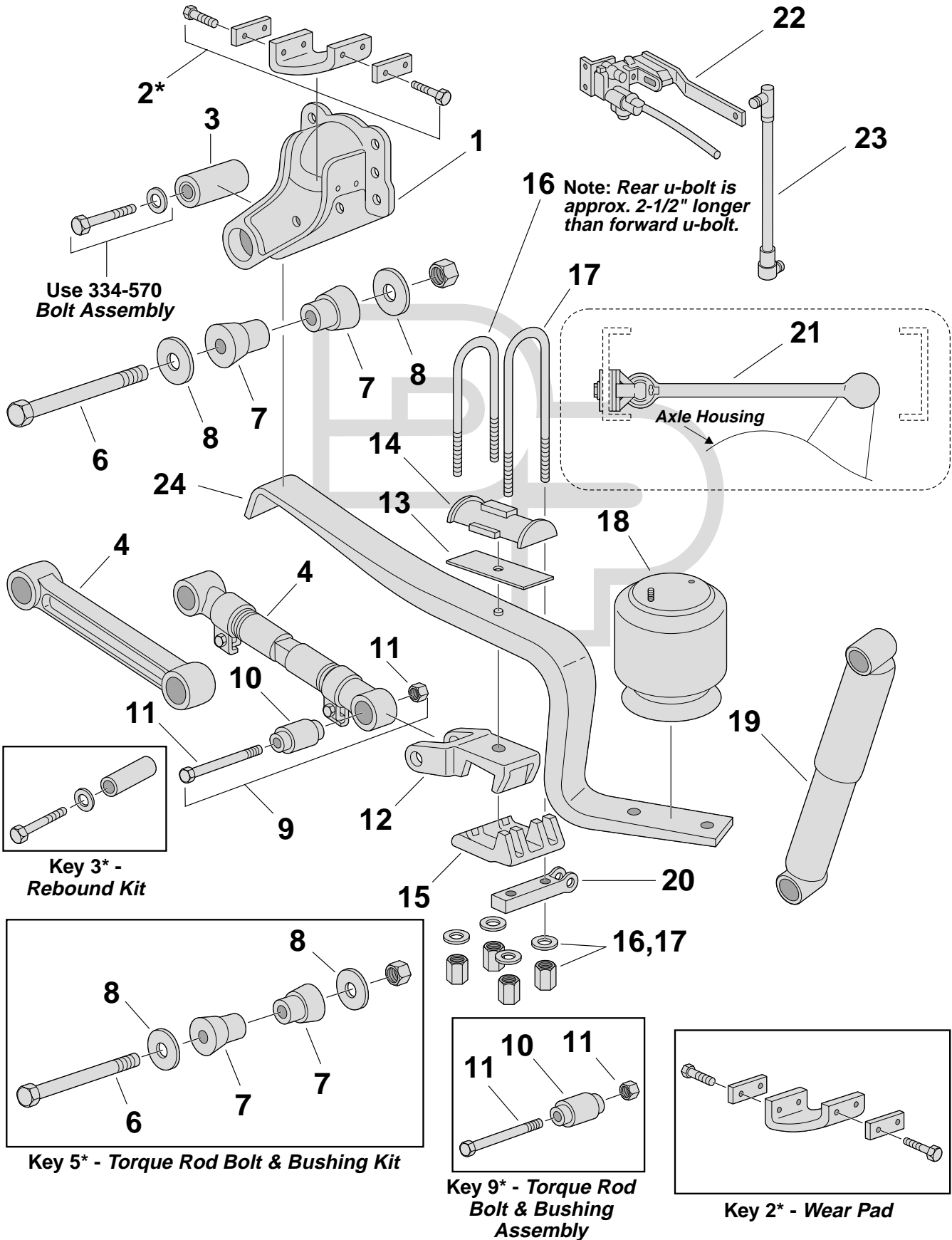
Key 17* - Torque Rod Bolt Assembly

Key No.	Part Number	Description	No. Req.	OEM Reference	Remarks
1	SP	Hanger, Front; LH	1	15223-01	Obsolete
	SP	Hanger, Front; RH	1	15222-01	Obsolete
● 2	338-1648	Hanger	2	14717-01	Obsolete
● 3	338-1650	Hanger; LH	1	14719-01	Obsolete
●	338-1651	Hanger; RH	1	14718-01	Obsolete
✓ ● 4	334-276	Pad, Wear	2	TK14168	Incl. Pad, Clamp Plates & Screws
5	334-272	Assembly, Bolt; Rebound; 1/2"-20 x 5 1/2"Lg	2		Incl. Bolt, Tube, Rubber Roller & Lock Nut
● 6	338-1414	Assembly, Equalizer	2	14743-01	Incl. 321-191; Obsolete
7	334-1012	Assembly, Shaft & Bushing	2	TK19165	Standard; 1984 & Up; Incl. 334-240 Shaft Assy. & 321-191 Bushing
✓✓ 8	334-240	Assembly, Shaft	2		Standard; Incl. Shaft, Nut & Lock Washer
✓ ● 9	321-191	Bushing; 1 1/2"ID x 3 1/8"OD x 4 1/2"Lg	2	14713-01	Standard; 1984 & Up; No Slots
	321-191U	Bushing, Urethane	2		
✓ 10	334-201	Kit, Rebound; 1/2"-20 x 4 3/4"Lg	4	TK19011	Incl. Tube, Bolt, Washer & Nut
11	SP	Torque Rod, Rigid; LH/RH	2	15220-02	Front
✓ ●	345-148	Torque Rod, Rigid; 20 1/2"Lg c/c	2	11012-03	Rear; 52" Axle Spacing; Incl. (1)321-153 Bushing
✓✓ 12	334-285	Assembly, Bolt & Bushing	2		Incl. 334-284 & (2)321-157 Bushings
13	334-284	Assembly, Bolt	2		Incl. 334-642 Bolt, Washers & Lock Nut
● 14	334-642	Bolt, Flat Side	4	17210-01	
✓✓ ● 15	321-157	Bushing; 1 1/16"ID x 1 19/16"OD x 2 7/8"Lg	8	T1723	Eccentric Type Bushing
●	321-157U	Bushing, Urethane	8		
✓✓ 16	334-247	Assembly, Bolt & Bushing	2		Incl. 334-246 Bolt Assembly & 321-153 Bushing
✓ 17	334-246	Assembly, Bolt; 7/8"-9 x 5 1/2"Lg	4	10033-01	Incl. Bolt & Lock Nut
✓✓ ● 18	321-153	Bushing; 7/8"ID x 1 29/32"OD x 3"Lg	4	09729-01	
●	321-153U	Bushing, Urethane	4		
✓ ● 19	338-200	Saddle, U-Bolt; 3"W x 7 3/4"Lg x 1 3/4"H	4	08677-01	7/8" or 3/4" U-Bolts Down
20	SP	Seat, Axle	4	Various	Specify Axle & Angle
21	SP	Plate, Bottom	4	Various	Specify Axle & Angle
✓ 22	361-196	Kit, U-Bolt; Round Bend, Grade 8	8	09744-01	3/4" x 3" x 15 5/8" R
✓✓	361-262	Kit, U-Bolt; Round Bend, Grade 8	8	09752-01	3/4" x 3" x 18 5/8" R
	361-539	Kit, U-Bolt; Round Bend, Grade 8	8	11000-01, 11330-01	3/4" x 3" x 20 5/8" R
	See Chart	Kit, U-Bolt	8		See Chart on Page 1051
23	Spring Assembly	Assembly, Spring	4		See Leaf Spring Web Catalog for Details

**240AR
Single/Tandem Axle
Tractor Air Suspension**

Reyco

Reyco



Suspension Illustration

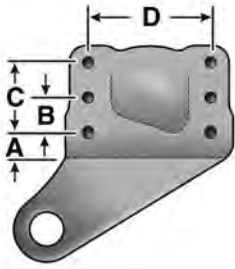
Key No.	Part Number	Description	No. Req.	OEM Reference	Remarks	
●	1	338-1646	Hanger; LH	1	20981-01	
●		338-1645	Hanger; RH	1	20982-01	
✓	2	334-276	Pad, Wear	2	TK14168	Incl. Pad, Clamp Plates & Screws
●	3	321-514	Bushing; Free Play; 1 3/4"OD	2	13677-08	Use w/334-570 Bolt Assy.
	4	345-766	Torque Rod, Rigid; 16 3/4"Lg c/c	1	20121-01	Incl. 321-153 Bushing; Use 321-285 at Hanger End, Not Included
		345-765	Torque Rod, Adjustable; 15"-17 1/4"Lg	1	20138-01	Incl. 321-153 Bushing; Use 321-285 at Hanger End, Not Included
✓✓	5	334-896	Assembly, Bolt & Bushing	2	TK21640, TK19152	Incl. Bolt, 321-285 Bushings & Hdwe.
✓✓	6	334-203	Bolt; 1"-14 x 7 1/4"Lg	2	T5492	
●	7	321-285	Bushing; 1"ID x 1 3/4"OD x 2 7/8"Lg	4	21238-01	Hanger End; New Style
		321-285U	Bushing, Urethane	4		
	8	334-282	Washer; 1 1/8"ID x 3 3/4"OD x 5/16"Thk	4	T1724	
✓✓	9	334-247	Assembly, Bolt & Bushing	2	TK7424	Incl. 334-246 Bolt Assembly & 321-153 Bushing
✓✓	10	321-153	Bushing; 7/8"ID x 1 29/32"OD x 3"Lg	2	09729-01	Axle End
●		321-153U	Bushing, Urethane	2		
✓	11	334-246	Assembly, Bolt; 7/8"-9 x 5 1/2"Lg	2	10033-01	Incl. Bolt & Lock Nut
	12	SP	Seat, Axle	2		Specify Axle Model & Angle
	13	GL-295	Liner; 2 7/8" x 8"Lg w/7/8" Hole	2		
✓	14	338-200	Saddle, U-Bolt; 3"W x 7 3/4"Lg x 1 3/4"H	2	08677-01	7/8" or 3/4" U-Bolts Down
	15	SP	Plate, Bottom	2		Specify Axle Model & Angle
	16	361-589	Kit, U-Bolt; Round Bend, Grade 8	2	21090-125	Front; 7/8" x 3" x 12 1/2" R
	17	361-584	Kit, U-Bolt; Round Bend, Grade 5	2	21090-150	Rear; 7/8" x 3" x 15 1/2" R
		See Chart	Kit, U-Bolt	2		See Chart on Page 1051
	18	352-9947	Air Spring	2	20142-01	Standard; w/20123-01 Bracket
		352-9966	Air Spring	2	20124-01	Optional; w/20123-01 Bracket
	19	M65454	Shock Absorber	2	20129-01	
	20	SP	Bracket, Lower; Shock; Roadside	1	20155-01	
		SP	Bracket, Lower; Shock; Curbside	1	20154-01	
	21	345-767	Rod, Track	1	20122-01	Incl. (2)321-153 Bushings
✓✓	22	334-750	Valve, Height Control; Universal	1	Various	
✓	23	334-751	Linkage Assembly; Universal; Adjustable	1	Various	3 5/8"-19 5/8" Range; Use w/All Height Control Valves
	24	83-279	Z Spring; RH	1	19876-01	See Leaf Spring Web Catalog for Details
		83-281	Z Spring; LH	1	19877-01	See Leaf Spring Web Catalog for Details

Front Hangers

Reyco

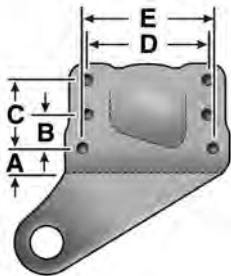
Models 101, 101A, 102 & 102W

Reyco

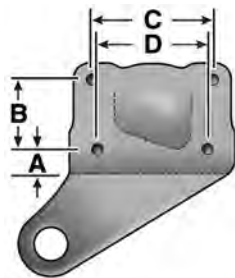


Front Hangers

Part No.	OEM Reference		Dim. (A)	Dim. (B)	Dim. (C)	Dim. (D)	Dim. (E)	Frame Hole Qty./Size		Comments
338-262	10184-01	22272-02	—	—	—	—	—	—	—	R.H. Undrilled
338-261	10185-01	22272-01	—	—	—	—	—	—	—	L.H. Undrilled
338-859	10141-01	22266-01	1.55	2.48	4.96	7.80	—	6	5/8"	L.H. Volvo/GM
338-860	10142-01	22266-02	1.55	2.48	4.96	7.80	—	6	5/8"	R.H. Volvo/GM
SP	10134-01	—	1.75	2.38	4.75	8.00	—	6	9/16"	R.H. White, Discontinued
SP	10135-01	—	1.75	2.38	4.75	8.00	—	6	9/16"	L.H. White, Discontinued
338-294	10105-01	21880-01	1.75	2.38	4.75	8.00	—	6	5/8"	L.H. Standard
338-295	10106-01	21880-02	1.75	2.38	4.75	8.00	—	6	5/8"	R.H. Standard
338-857	09623-01	22261-01	1.75	2.63	4.75	8.00	—	6	3/4"	L.H. Ford
338-858	09624-01	22261-02	1.75	2.63	4.75	8.00	—	6	3/4"	R.H. Ford
SP	18275-01	22342-01	2.19	2.09	4.14	7.88	—	—	—	L.H. Peterbilt
SP	18276-01	22342-02	2.19	2.09	4.14	7.88	—	—	—	R.H. Peterbilt
338-862	09908-01	22255-02	2.25	2.25	4.50	8.00	—	6	5/8"	R.H. Kenworth
338-861	09909-01	22255-01	2.25	2.25	4.50	8.00	—	6	5/8"	L.H. Kenworth
SP	13865-01	22256-01	44.4mm	63mm	126mm	200mm	—	6	15mm	L.H. Mack
SP	13866-01	22256-02	44.4mm	63mm	126mm	200mm	—	6	15mm	R.H. Mack

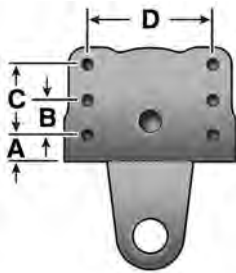


Part No.	OEM Reference		Dim. (A)	Dim. (B)	Dim. (C)	Dim. (D)	Dim. (E)	Frame Hole Qty./Size		Comments
338-1430	09620-01	22262-02	2.31	2.20	4.20	7.70	8.30	6	5/8"	R.H. Navistar
338-1647	09621-01	22262-01	2.31	2.20	4.20	7.70	8.30	6	5/8"	L.H. Navistar



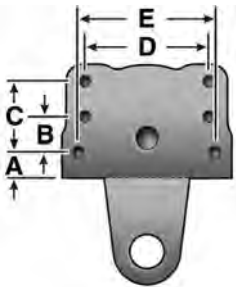
Part No.	OEM Reference		Dim. (A)	Dim. (B)	Dim. (C)	Dim. (D)	Dim. (E)	Frame Hole Qty./Size		Comments
SP	10127-01	22513-01	2.25	4.25	8.00	7.50	—	4	5/8"	L.H. Mack Western
SP	10128-01	22513-02	2.25	4.25	8.00	7.50	—	4	5/8"	R.H. Mack Western

Components

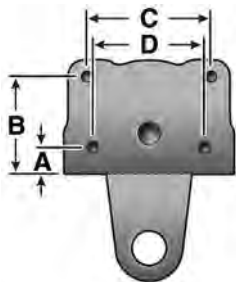


Center Hangers

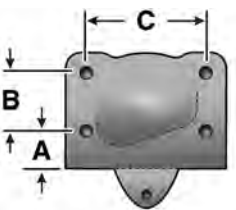
Part No.	OEM Reference		Dim. (A)	Dim. (B)	Dim. (C)	Dim. (D)	Dim. (E)	Frame Hole Qty./Size	Shaft Dia.	Comments
338-263	10186-01	22274-01	—	—	—	—	—	—	334-239(1 1/2")	Undrilled
338-327	10143-01	22278-01	1.55	2.48	4.96	7.80	—	6 5/8"	334-292(1 1/4")	GMC, Volvo
◆	10136-01	—	1.75	2.38	4.75	8.00	—	6 9/16"	334-239(1 1/2")	White, Discontinued
338-296	10107-01	22335-01	1.75	2.38	4.75	8.00	—	6 5/8"	334-239(1 1/2")	Standard
338-342	09625-01	22275-01	1.75	2.63	4.75	8.00	—	6 3/4"	334-292(1 1/4")	Ford
338-1372	18277-01	22347-01	2.19	2.09	4.14	7.87	—	—	334-239(1 1/2")	Peterbilt
338-863	09910-01	22273-01	2.25	2.25	4.50	8.00	—	6 5/8"	334-239(1 1/2")	Kenworth
338-1371	13868-01	22285-01	44.4mm	63mm	126mm	200mm	—	6 15mm	334-239(1 1/2")	Mack
◆	13868-02	22286-01	44.4mm	63mm	126mm	200mm	—	6 17.5mm	334-239(1 1/2")	Mack



Part No.	OEM Reference		Dim. (A)	Dim. (B)	Dim. (C)	Dim. (D)	Dim. (E)	Frame Hole Qty./Size	Shaft Dia.	Comments
338-1435	09622-01	22288-01	2.31	2.20	4.20	7.70	8.30	6 5/8"	334-239(1 1/2")	Navistar



Part No.	OEM Reference		Dim. (A)	Dim. (B)	Dim. (C)	Dim. (D)	Dim. (E)	Frame Hole Qty./Size	Shaft Dia.	Comments
SP	10129-01	—	2.25	4.25	8.00	7.50	—	4 5/8"	334-239(1 1/2")	Mack Western, Discontinued



Rear Hangers

Part No.	OEM Reference		Dim. (A)	Dim. (B)	Dim. (C)	Dim. (D)	Comments
338-264	10189-01	22299-01	—	—	—	—	L.H. Undrilled
338-265	10190-01	22299-02	—	—	—	—	R.H. Undrilled
338-1437	10103-01	22296-01	1.75	3.50	7.00	5/8"	L.H. Navistar
338-1436	10104-01	22296-02	1.75	3.50	7.00	5/8"	R.H. Navistar
338-1373	18278-01	22346-02	2.09	3.15	7.88	5/8"	L.H. Peterbilt
338-1374	18279-01	22346-01	2.09	3.15	7.88	5/8"	R.H. Peterbilt
SP	10169-01	—	2.25	3.00	7.50	5/8"	L.H. Mack Western, Discontinued
SP	10170-01	—	2.25	3.00	7.50	5/8"	R.H. Mack Western, Discontinued
338-297	10111-01	22303-01	2.25	3.50	7.00	5/8"	L.H. Std. Drill Pattern
338-298	10110-01	22303-02	2.25	3.50	7.00	5/8"	R.H. Std. Drill Pattern
338-864	09629-01	22297-01	2.25	3.50	7.00	3/4"	L.H. Ford
338-865	09628-01	22297-02	2.25	3.50	7.00	3/4"	R.H. Ford
SP	10139-01	—	2.25	3.50	7.00	9/16"	L.H. White, Discontinued
SP	10140-01	—	2.25	3.50	7.00	9/16"	R.H. White, Discontinued
338-868	09913-01	22300-01	2.25	3.50	7.25	5/8"	L.H. Kenworth
338-869	09914-01	22300-02	2.25	3.50	7.25	5/8"	R.H. Kenworth
338-866	10147-01	22294-01	2.77	2.48	7.00	5/8"	L.H. GMC
338-867	10146-01	22294-02	2.77	2.48	7.00	5/8"	R.H. GMC
338-1375	13871-01	22305-01	45mm	100mm	190mm	15mm	L.H. Mack
338-1376	13872-01	22305-02	45mm	100mm	190mm	15mm	R.H. Mack

◆ Not Serviced by Dayton Parts

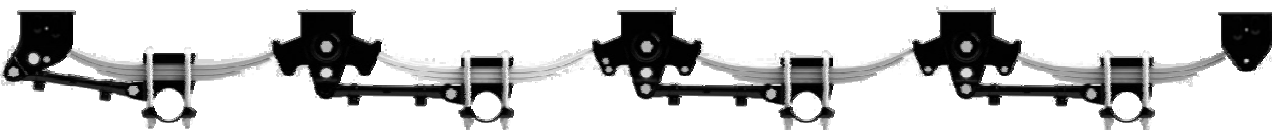
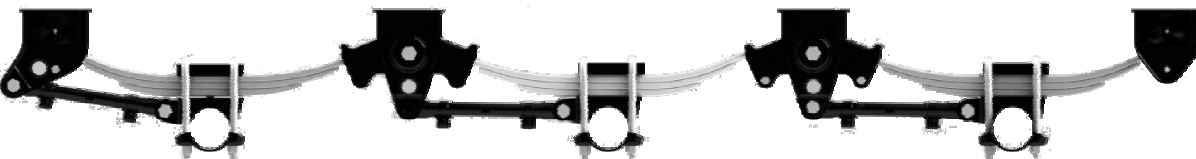
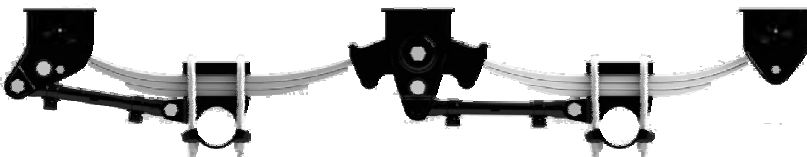
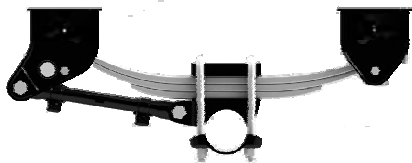


TransPro®

Spring Ride Suspensions

Mechanical Trailer Suspensions
Single/Tandem/Triaxle/Quadaxle

The **TransPro®** Spring Ride system is engineered to be extremely versatile, provide long life and ultra-low maintenance. **TransPro®** delivers exceptional value and assurance of reliable performance over the long haul.



Look for the **Transpro Mark**, stamped into every part, to ensure you receive the legendary Reyco Guarantee of quality, durability, and reliability.

Specifications	Features
<ul style="list-style-type: none"> • GAWR - up to 22,000 lbs per axle • Axle spacing - 49" • Spring compatibility - low, medium or high arch 3-leaf • Ride heights - Overslung axle seat: 13-3/8" - 18-5/8" Underslung axle seat: 3" - 6" 	<ul style="list-style-type: none"> • Torque arms with high volume bushings provide extra long service life • Replaceable poly wear pads available • Robust design that requires minimal maintenance

Visit us on the World Wide Web at www.daytonparts.com

Dayton Parts, LLC • PO Box 5795 • Harrisburg, PA 17110-0795 • 800-233-0899 • Fax 800-225-2159
Dayton Parts/Batco • 12390 184th Street • Edmonton, Alberta T5V 0A5 • 800-661-9861 • Fax 888-207-9064



TransPro®

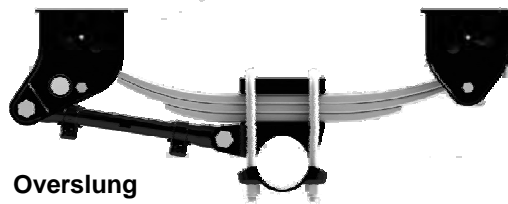
Spring Ride Suspensions

ORDER IN THREE SIMPLE STEPS:

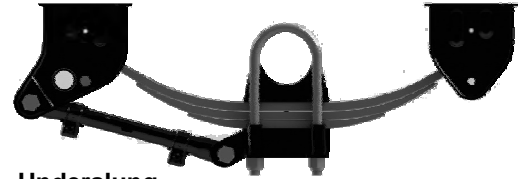
Step #1:
Select
of Axles

- 1 Axle - 339-021101 Hanger Kit, Qty: 1 + 1 Axle Seat Kit**
 - 2 Axles - 339-021101 Hanger Kit, Qty: 1 — 339-021201 Equalizer Kit, Qty: 1 + 2 Axle Seat Kits**
 - 3 Axles - 339-021101 Hanger Kit, Qty: 1 — 339-021201 Equalizer Kit, Qty: 2 + 3 Axle Seat Kits**
 - 4 Axles - 339-021101 Hanger Kit, Qty: 1 — 339-021201 Equalizer Kit, Qty: 3 + 4 Axle Seat Kits**
- **See Below for Axle Seat Kit Numbers

Step #2:
Select
Axle Seat
Configuration



Overslung



Underslung

Step #3:
Select
Ride Height

Overslung Axle Seat Kits

Kit Number	Axle Seat Height	Suspension Ride Height		
		Low Arch Spring (TRA-3341*)	Medium Arch Spring (TRA-3349*)	High Arch Spring (TRA-3340*)
339-021301	3/4"	13-5/8"	14-5/8"	15-5/8"
339-021302	1-3/4"	14-5/8"	15-5/8"	16-5/8"
339-021303	2-3/4"	15-5/8"	16-5/8"	17-5/8"
339-021304	3-3/4"	16-5/8"	17-5/8"	18-5/8"

Underslung Axle Seat Kits

Kit Number	Axle Seat Height	Suspension Ride Height		
		Low Arch Spring (TRA-3341*)	Medium Arch Spring (TRA-3349*)	High Arch Spring (TRA-3340*)
339-021305	3/4"	3"	4"	6"

* Middle springs on TRI & QUAD suspensions have hooks on both ends, refer to TransPro spring information at daytonparts.com

Visit us on the World Wide Web at www.daytonparts.com

Dayton Parts, LLC • PO Box 5795 • Harrisburg, PA 17110-0795 • 800-233-0899 • Fax 800-225-2159
Dayton Parts/Batco • 12390 184th Street • Edmonton, Alberta T5V 0A5 • 800-661-9861 • Fax 888-207-9064

320-215



Bushing, Sway Bar "D"; Model 79KB

321-145



Bushing; 1" I.D. x 1 13/16" O.D. x 3" Lg; Included in 334-252 T/R Bolt and Bushing Assy.; Models 21AR, 21B, 45

321-146, 321-146U



Bushing; 1 5/8" I.D. x 3 1/2" O.D. x 4 7/16" Lg; Standard, Cast Hangers; Model 21B

321-147, 321-147U



Bushing; 1" I.D. x 1 3/4" O.D. x 2 11/16" Lg; Included in 334-253 T/R Bolt and Bushing Assy.; Models 102CC, 102, 21

321-149



Bushing; 2 3/8" I.D. x 2 1/2" Lg; Models 21, 21B

321-150, 321-150U



Bushing; 7/8" ID x 1 5/8" OD x 2 7/8" Lg; Model 25

321-152



Bushing; 1 1/2" I.D. x 3 1/8" O.D. x 4 7/16" Lg; Included in 334-243 Equalizer Bolt and Bushing Assy.; w/ Slots; Models: Various

321-153



Bushing; 7/8" I.D. x 1 29/32" O.D. x 3" Lg; Models: Various

321-153U



Bushing, Urethane; 7/8" I.D. x 1 29/32" O.D. x 3" Lg; Models: Various

321-154, 321-154U



Bushing; 2" I.D. x 3 1/8" O.D. x 4 1/4" Lg; Widespread; Models 21B, 31/41, 45

321-157, 321-157U



Bushing; 1 1/16" I.D. x 1 13/16" O.D. x 2 7/8" Lg; Eccentric Type, Included in 334-285 T/R Bolt and Bushing Assy; Models 101, 101A, 201

321-158



Bushing; Replaced by 321-285; Model 102AR

321-159



Bushing; 1 1/4" I.D. x 3 1/8" O.D. x 4 15/32" Lg; Ford 1984 and Up/GMC All; Models 101, 101A, 102, 102W

321-161



Bushing; 1 1/2" I.D. x 2 3/4" O.D. x 3 3/8" Lg; Included in 334-300 T/R Bolt and Bushing Assy.; Obsolete; Model 181/101F

321-162



7/8" I.D. x 2 1/32" O.D. x 3" Lg; Included in 334-301 T/R Bolt and Bushing Assy.; Model 181/101F (New Style)

321-163



Bushing; 1" I.D. x 3 1/16" O.D. x 3 1/4" Lg; New Style; Axle Seat End; Included in 334-306 Equalizer Bolt and Bushing Assy.; Model 181/101F

321-164



Bushing; 3/4" I.D. x 2 3/8" O.D. x 3" Lg; Equalizer End and Spring Eye; Model 181/101F

321-191



Bushing; 1 1/2" I.D. x 3 1/8" O.D. x 4 1/2" Lg; Standard 1984 and Up; No Slots; Models 101, 101, 101A, 102, 102W, 201

321-194, 321-194U



Bushing; 1" I.D. x 3 7/16" x 4" Lg; Included in 334-628 Equalizer Bolt and Bushing Assy.; Model 86/88/89

321-270



Bushing; 1 1/4" I.D. x 3 1/8" O.D. x 5 3/8" Lg; Included in 334-1259 Equalizer Bolt and Bushing Assy.; Model 74A/B, 74A/B Widespread

321-285, 321-285U



Bushing; 1" I.D. x 1 3/4" O.D. x 2 7/8" Lg; Included in 334-896 T/R Bolt and Bushing Assy.; Models: Various

321-287



Bushing; 1" I.D. x 2 3/8" O.D. x 4" Lg; 74A Seat End/74B Both Ends; Models 74AR, 74A/B

321-304



Bushing; 17/8" I.D. x 1 29/32" O.D. x 3 3/8" Lg.; Included in 334-1030 T/R Bolt and Bushing Assy.; Model 83

321-305



Bushing; 1 1/4" I.D. x 3 1/8" O.D. x 4 5/8" Lg.; Included in 334-1264 Shaft and Bushing Assy.; Models 21B, 83

321-385



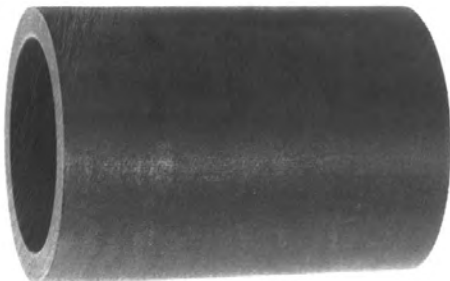
Bushing; Model 23/25/30AR

321-514



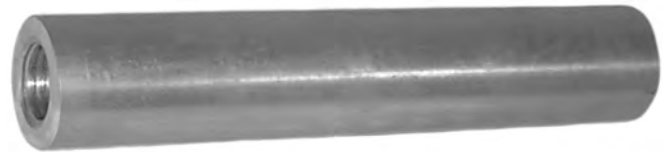
Bushing, Free Play; 1 3/4"OD; Use w/334-768 bolt assy.; Model 240AR

322-111



2" I.D. x 2 5/8" O.D. x 3 3/4" Lg.; Obsolete; Use w/ 334-264 Equalizer Shaft Assy.; Models 21, 45

334-207



Shaft, Equalizer; 1 5/8" O.D. x 8 5/8" Lg., 1"-8 Internal Thread; Standard, Cast Hangers; Use w/ 334-211 Equalizer Shaft and Bushing Assy.; Model 21B

334-220



Seal; 2" I.D. x 2 5/8" O.D. x 1/4" Thk.; Model 21, 45

334-223



Shaft; 2 1/2" O.D. x 12 1/2" Lg., 2 1/2"-16 Threads, Wide Spread; Use w/ 334-211 Equalizer Shaft and Bushing Assy.; Model 21B

334-239



Shaft, Standard Equalizer; 1 1/2" O.D. x 8" Lg., 1 7/16"-12 Thread BE; Model 101, 101A, 102, 102W

334-248



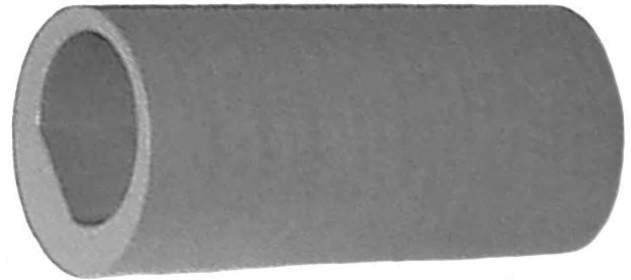
Shaft Assembly; 2" O.D. x 6 1/2" Lg.; Includes Shaft and Roll Pin, Use w/321-154 Bushing; Model 31/41

334-276



Pad, Wear; Includes Clamp Plates and Screws; Models: Various

334-298



Bushing, Eccentric; Use w/ 334-642 Bolt; Model 74A

334-308



Lock Strip; 5" C to C x 1/16" thk.; Model 181/101F

334-642



Bolt; Flat Side; Models 101, 101A, 102, 74A/B

334-750



Valve, Height Control; Universal; Hadley - Model 450HCV; Models: Various

334-751



Linkage Assembly, Universal Adjustable; 3 5/8"-19 5/8" Range; Use with all Height Control Valves; Models: Various

334-835



Bolt Assembly, Rebound; 1/2"-20 x 4 1/2" Lg. Bolt; Model 102AR

334-1029



Bracket, Upper Shock (LH-RH); Model 102AR

334-1262



Shaft; 1 1/2"-6 Thread, 9 1/4" Lg., 72"-108" Wide Spread; Use w/ Cast Center Hangers, Included in 334-1442 Shaft and Bushing Assy.; Model 21B

334-1730



Spacer Kit, Severe Service; 23/25/30AR

334-1771



Bolt, Alignment Adjustment; Models 20AR/RS3162/DockMaster II, 23/25/30AR

334-1772



Collar, Alignment; Opposite REY-Align®; 23/25/30AR

334-1811



Yoke Assembly, REY-Align®; 23/25/30AR

334-1910



Service Assembly, Sway Bar End Link; Model 79KB

334-1951



Pad, Wear; Abrasion Resistant; Models 86/88/89

334-1952



Service Kit; Track Rod Bracket; Incl brackets, hardware; Model 86AR

334-1953



Wear Pad; Model 86AR

334-2095



Bolt & Bushing Assembly; D-Bolt Assembly & RB-371 Bushing; Model 79KB

334-2223



Service Kit, Pivot; Single Beam; Models 20AR/RS3162/DockMaster II

334-2225



Adjuster, Rey-ALIGN®, Models 20AR/RS3162/DockMaster II

338-188



Hanger, LH; Flangemount; Standard Drill Pattern; Use w/ 334-252 T/R Bolt and Bushing Assy.; Model 21B

338-189



Hanger, RH; Flangemount; Standard Drill Pattern; Use w/ 334-252 T/R Bolt and Bushing Assy.; Model 21B

338-190



Hanger, LH; Undermount; Weld-On; Model 21B

338-191



Hanger, RH; Undermount; Weld-On; Use w/ 334-252 T/R Bolt and Bushing Assy.; Model 21B

338-192



Hanger, Flangemount; Standard Drill Pattern; Use w/ 334-211 Equalizer Shaft and Bushing Assy.; Model 21B

338-193



Hanger, Undermount; Weld-On; Use w/ 334-211 Equalizer Shaft and Bushing Assy.; Model 21B

338-194



Hanger, Rear; LH; Standard Drill Pattern; Flangemount; Use w/334-201 Rebound Kit; Model 21B, 25

338-195



Hanger, Rear; RH; Flangemount; Standard Drill Pattern; Use w/334-201 Rebound Kit; Model 21B, 25

338-196



Hanger, Rear; LH; Undermount; Cast, Weld-On; Use w/334-201 Rebound Kit; Model 21B, 25

338-197



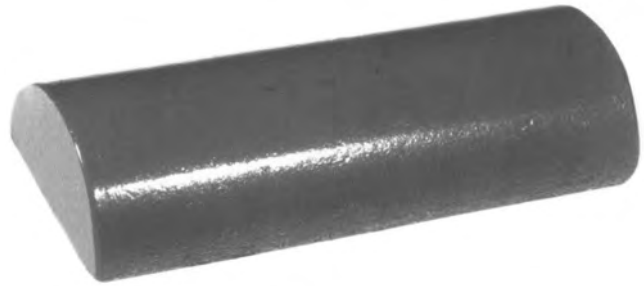
Hanger, Rear; RH; Undermount; Cast, Weld-On; Use w/334-201 Rebound Kit; Model 21B/25

338-199



Equalizer; Less Bushing; 14 1/2" c/c; 49" Axle Spacing w/Cast Hangers; Use w/334-201 Rebound Kit, 321-146 Bushings; Model 21B

338-200



Saddle, U-Bolt; 3" W x 7 3/4" Lg. x 1 3/4" H; 7/8" or 3/4" U-Bolts Down; Models: Various

338-202



Plate, U-Bolt Top Clamp; 4" W x 5 3/8" C to C; 4" x 6" Rectangular Axles; Obsolete; Models 21, 21B, 25, 31/41

338-203



Plate, U-Bolt Top Clamp; Plate, U-Bolt Top Clamp; 3 7/8"W x 5 7/8" c/c - 5" Rd. & Eaton 5" Sq. Axles; Models 21, 21B, 25, 31/41, 45, 83, 86/88/89

338-205



Bracket, Torque Rod Seat; 5" Round Axles; HEIGHT = 3/4"; Use w/ 334-252 T/R Bolt and Bushing Assy.; Model 21B

338-206



Bracket, Torque Rod Seat; 5" Round Axles; HEIGHT = 1 3/4"; Use w/ 334-252 T/R Bolt and Bushing Assy.; Model 21B

338-207



Bracket, Torque Rod Seat; 4" x 6" Rectangular Axles; HEIGHT = 3/4"; Use w/ 334-252 T/R Bolt and Bushing Assy.; Model 21B

338-209



Bracket, Torque Rod Seat; 5" Square Axles; HEIGHT = 3/4"; Use w/ 334-252 T/R Bolt and Bushing Assy.; Model 21B

338-212



Bracket, Torque Rod Seat; 5" Square Axles, No Hop and Underslung; Models 21B, 83

338-214



Plate, U-Bolt Bottom Clamp; 3 7/8" W x 5 7/8" C to C; 5" Round Axles; Model 21, 21AR, 21B, 31/41

338-215



Plate, U-Bolt Bottom Clamp; 4" x 6" Rectangular Axles; Models 21B, 31/41

338-216



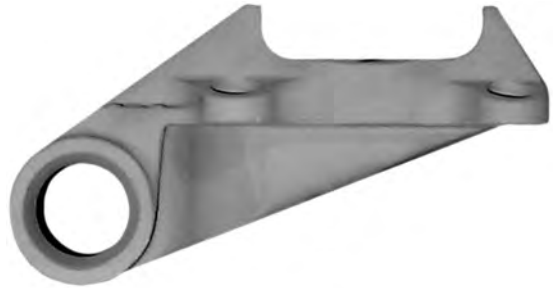
Plate, U-Bolt Bottom Clamp; 3 15/16" W x 6 1/4" Lg. c/c - 5" Square Axle; Models 21B, 31/41

338-217



Bracket, Stabilizer; 5" Round Axles; No Hop; Use w/ 334-452 T/R Bolt and Bushing Assy.; Model 21B

338-218



Bracket, Stabilizer; 5" Square Axles; No Hop; Use w/ 334-452 T/R Bolt and Bushing Assy.; Model 21B

338-219



Clip, U-Bolt; 4" x 6" Axles; Obsolete; Models 21B, 31/41, 83, 86/88/89

338-220



Clip, U-Bolt; 5" Square Axles; Models 21B, 31/41, 83, 86/88/89

338-224



Equalizer; 2 Pc. Rubber Bushing; 16 1/2" c/c holes; Use w/ 334-201 Rebound Kit; Models 21-3, 21-5

338-225



Equalizer Assembly, Greasable; 16 1/2" c/c holes; Includes 322-111 Bushing and 334-220 Seals; Use w/ 334-201 Rebound Kit; Model 21

338-231



Equalizer Assembly; 14 1/2" c/c holes; Includes 321-152 Bushing; Use w/ 334-201 Rebound Kit; Model 25

338-237



Equalizer Assembly; Includes 321-154 Bushing; 12" c/c holes; Use w/ 334-201 Rebound Kit; Model 31

338-238



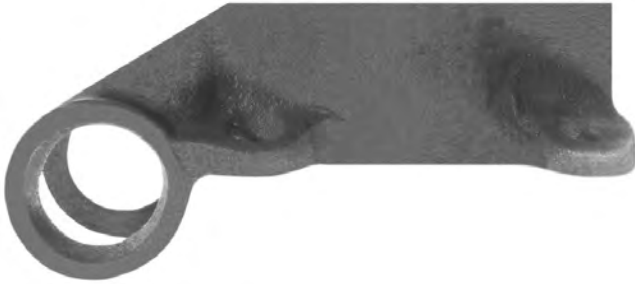
Bracket, Torque Rod Seat; 3/4", 5" Round Axle; HEIGHT = 1"; Use w/ 334-247 T/R Bolt and Bushing Assy.; Models 31/41, 45, 83

338-243



Equalizer Assembly; Includes 321-154 Bushing; Use w/ 334-201 Rebound Kit; Model 41

338-246



Bracket, Torque Rod Bottom Plate; 5" Round and Square Axles; Underslung; Use w/ 334-252 Bolt and Bushing Assy.; Model 21B

338-248



Equalizer Assembly, Front; Includes 322-111 Bushing and 334-220 Seals; Use w/ 334-264 Equalizer Shaft Assy.; Obsolete; Model 45

338-249



Equalizer Assembly, Rear; Includes 322-111 Bushing and 334-220 Seals; Use w/ 334-264 Equalizer Shaft Assy.; Obsolete; Model 45

338-264



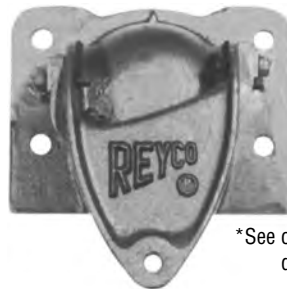
Hanger, LH; Undrilled; Use w/ 334-272 Rebound Kit; Models 101, 101A, 102, 102W

338-265



Hanger, RH, Undrilled; Use w/ 334-272 Rebound Kit; Models 101, 101A, 102, 102W

338-297



Hanger, LH; Standard; Use w/ 334-272 Rebound Kit; Models 101, 101A, 102, 102W

*See charts for available drill patterns.

338-298



*See charts for available drill patterns.

Hanger, RH, Standard; Use w/ 334-272 Rebound Kit; Models 101, 101A, 102, 102W

338-300



Hanger, RH, Standard; 14 1/2" cc holes; Includes 321-152 Bushing; Use w/ 334-201 Rebound Kit; Model 101 Standard Pre 1984

338-328



Equalizer Assembly; Includes 321-159 Bushing; 14 1/2" cc holes; Use w/ 334-201 Rebound Kit; Model 101 Ford 1984 and Up; GMC All

338-347



Casting #11835-01; Use w/ 334-300 T/R Bolt and Bushing Assy. and 334-201 Rebound Kit; Model 181/101F

338-348



Hanger; Casting #11836-01; Use w/ 334-300 T/R Bolt and Bushing Assy. and 334-306 Equalizer Bolt and Bushing Assy.; Obsolete; Model 181/101F

338-349



Hanger; Casting #11837-1; Use w/ 334-201 Rebound Kit; Model 181/101F

338-351



Equalizer Assembly - Models w/ 7 Leaf Spring; Includes 321-163 Equalizer Bushings; Use w/ 334-305 Equalizer Bolt Kit; Obsolete; Model 181/101F

338-352



Shackle, LF-RR; Threaded Boss Design; Use w/ 334-307 Bolts; Obsolete; Model 181/101F

338-353



Shackle, RF-LR; Threaded Boss Design; Use w/ 334-307 Bolts; Obsolete; Model 181/101F

338-373



Hanger, Undermount; Replaces Model 86/88 Hangers; Use w/ 334-316 T/R Bolt and Bushing Assy. and 334-630 Rebound Kit; Model 88

338-374



Hanger, Undermount; Replaces Model 86/88 Hangers; Use w/ 334-316 T/R Bolt and Bushing Assy. and 334-628 Equalizer Bolt and Bushing Assy.; Model 88

338-375



Hanger, Undermount; Replaces Model 86/88 Hangers; Use w/ 334-630 Rebound Kit; Model 88

338-376



Pad, Wear; Steel; Model 86/88/89

338-378



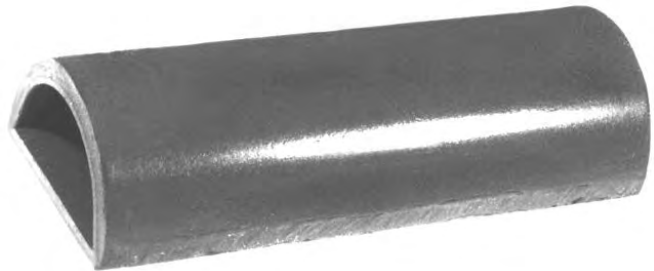
Equalizer Assembly; Fabricated; 49" Axle Spacing; 11 3/4" c/c holes;; Includes 321-194 Bushing; Use w/ 334-628 Equalizer Bolt and Bushing Assy.; Model 86/88/89

338-379



5" Round and Square Axles; Replaced by 338-203; Model 86/88/89

338-381



Saddle, U-Bolt; 3"W x 7 1/2"Lg. - Fabricated; U-Bolts Down; Models 21B, 83/88/89

338-382



Bracket, Torque Rod Seat; 5" Round Axle, Fabricated; HEIGHT = 1"; Use w/ 334-316 T/R Bolt and Bushing Assy.; Model 86/88/89

338-383



Seat; 5" Round Axles, Fabricated; HEIGHT = 1"; Underslung and No Hop; Use w/ 334-316 T/R Bolt and Bushing Assy.; Model 86/88/89

338-384



Bracket, Torque Rod Seat; 5" Square Axle, Fabricated; HEIGHT = 1"; Use w/ 334-316 T/R Bolt and Bushing Assy.; Model 86/88/89

338-385



Seat; 5" Square Axles, Fabricated; HEIGHT = 1"; Underslung and No Hop; Use w/ 334-316 T/R Bolt and Bushing Assy.; Model 86/88/89

338-386



Bracket, Torque Rod Seat; 4"x 6" Axle, Fabricated; HEIGHT = 1"; Use w/ 334-316 T/R Bolt and Bushing Assy.; Model 86/88/89

338-390



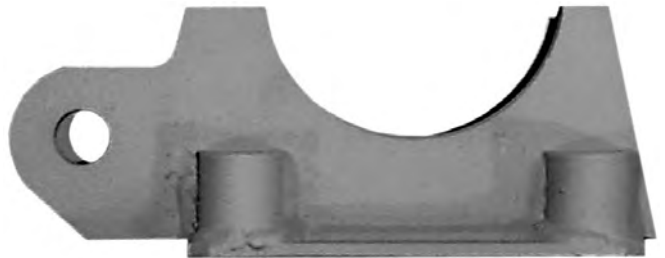
Plate, U-Bolt Bottom Clamp; 4"x 6" Axle, Fabricated; Model 86/88/89

338-391



Bracket, Torque Rod Bottom Clamp Plate, Underslung; Underslung; 3 and 8 Leaf Springs; Model 86/88/89

338-393



Bracket, Stabilizer; 5" Round Axles, No Hop; Model 86/88/89

338-415



Plate, Bottom U-Bolt Clamp; Fabricated; U-Bolts Down; 5" Round Axles; Model 21B

338-470



Plate, Bottom U-Bolt Clamp; 4" x 6" Rectangular Axles; U-Bolts Down; Model 83

338-471



Plate, Bottom U-Bolt Clamp; 5" Square Axle, 3/4" U-Bolts; U-Bolts Down; Model 83

338-605



Equalizer Assembly; 54" Axle Spacing; 20" c/c holes; Includes 321-270 Bushing. Use w/ 334-415 Rebound Kit; Model 74A/B

338-724



Equalizer Assembly; 14 1/2" c/c holes; Includes 321-191 Bushing; Use w/ 334-201 Rebound Kit; Model 101 Standard, 1984 and Up

338-739



Seat; 3/4" Round Axles; No Hop and Underslung; Use w/ 334-252 T/R Bolt and Bushing Assy.; Model 21B

338-871



Equalizer, Assembly; Cast; 11 3/4" c/c holes; Includes 321-194 Bushing; Use w/ 334-343 Rebound Kit; Model 86/88/89

338-1369



Equalizer, Heavy Duty; 14 1/2" c/c holes; Off-Road and Multi Axle Applications; Use w/ 334-201 Rebound Kit; Model 21B

338-1377



Seat; 5" Round, Fabricated; HEIGHT = 3"; Underslung and No Hop; Model 86/88/89

338-1378



Bracket, Torque Rod/Seat; 5" Round; HEIGHT = 3"; Use w/ 334-316 T/R Bolt and Bushing Assy.; Model 86/88/89

338-1409



Hanger, LH; Flangemount; Use w/ 334-630 Rebound Kit; Model 86/88/89

338-1410



Hanger, RH; Flangemount; Use w/ 334-630 Rebound Kit; Model 86/88/89

338-1411



Hanger, Flangemount; Use w/ 334-316 T/R Bolt and Bushing Assy.; Model 86/88/89

338-1412



Hanger, LH; Flangemount; Use w/ 334-630 Rebound Kit; Model 86/88/89

338-1413



Hanger, RH; Flangemount; Use w/ 334-630 Rebound Kit; Model 86/88/89

338-1414



Equalizer Assembly; 14 1/2" c/c holes; Includes 321-191 Bushing; Use w/ 334-201 Rebound Kit; Model 101A/102/102W/Standard

338-1415



Equalizer Assembly; 14 1/2" c/c holes; Includes 321-159 Bushing; Use w/ 334-201 Rebound Kit; Model 101A/102/102W/GM and Ford

338-1428



Hanger; Flangemount; Cast, Flangemount; 54"-65 1/2" axle spacing; Model 21B

338-1429



Hanger; Undermount; Cast, Undermount; 54"-65 1/2" axle spacing; Model 21B;

338-1431



Hanger, RH; Use w/ 334-896 T/R Bolt and Bushing Assy.; Model 102AR

338-1432



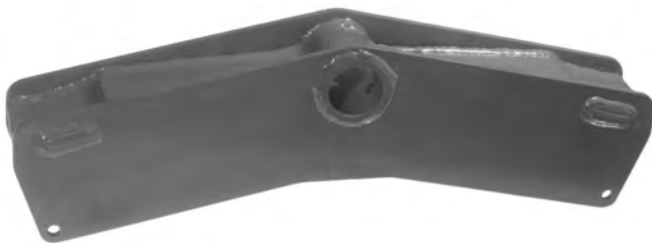
Hanger, LH; Use w/ 334-896 T/R Bolt and Bushing Assy.; Model 102AR

338-1440



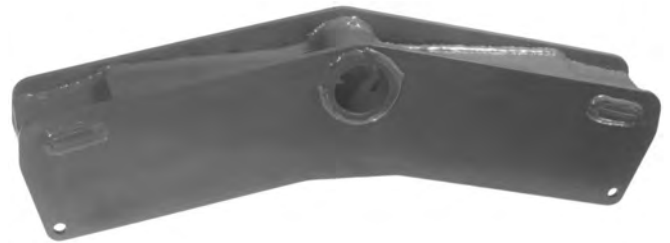
Spacer; 1/4"; 3" W x 7" Lg. x 1/4" Thk.; 13/16" Hole; Model 102CC

338-1442



Equalizer; 30" Lg., 27" c/c holes; 60" Axle Spacing; Use w/ 334-201 Rebound Kit and 321-149 Bushing; Model 21B

338-1443



Equalizer; 42" Lg., 40" c/c holes; 72" Axle Spacing; Use w/ 334-201 Rebound Kit, Includes 321-154 Bushing; Model 21B

338-1447



Equalizer; 19" Lg., 15 7/8" c/c holes; 49" Axle Spacing; Use w/ 334-201 Rebound Kit, Includes 321-305 Bushing; Models 21B, 83

338-1448



Equalizer; 30" Lg., 27" c/c holes; 60" Axle Spacing; Use w/ 334-201 Rebound Kit, Includes 321-305 Bushing; Models 21B, 83

338-1449



Hanger; Use w/ 321-305 Equalizer Bushing; Model 21B

338-1450



Hanger, Center, LH/RH; Use w/ 321-149 Equalizer Bushing; Models 21B, 83

338-1453



Hanger, Straddlemount; Use w/334-630 Rebound Kit; Model 86/88/89

338-1456



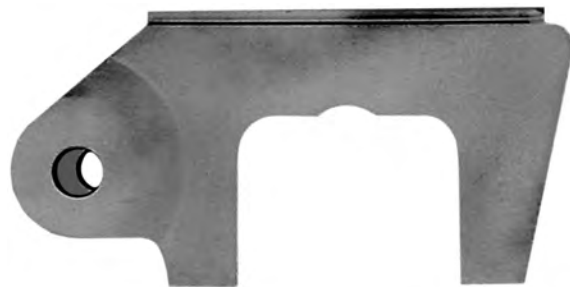
Hanger, Straddlemount; Use w/334-630 Rebound Kit and 334-316 T/R Bolt and Bushing Assy.; Model 86/88/89

338-1457



Hanger, Straddlemount; Use w/ 334-316 T/R Bolt and Bushing Assy.; Model 86/88/89

338-1458



Bracket, Torque Rod/Seat; 2"; 4"-6" Rectangular Axles; HEIGHT = 2"; Use w/ 334-316 T/R Bolt and Bushing Assy.; Model 86/88/89

338-1459



Bracket, Torque Rod/Seat; 2"; 5" Round Axles; HEIGHT = 2"; Use w/ 334-316 T/R Bolt and Bushing Assy.; Model 86/88/89

338-1460



Bracket, Track Rod; Use w/ 334-316 T/R Bolt and Bushing Assy.; Model 21AR, 74AR, 86AR

338-1530



Top Plate, 5" Square Axles; Model 21B, 25, 31/41, 83

338-1645



Hanger, RH; Use w/ 334-896 T/R Bolt and Bushing Assy.; Model 240AR

338-1646



Hanger, LH; Use w/ 334-896 T/R Bolt and Bushing Assy.; Model 240AR

338-1648



Hanger; Use w/ 334-285 T/R Bolt and Bushing Assy.; Obsolete; Model 201

338-1650



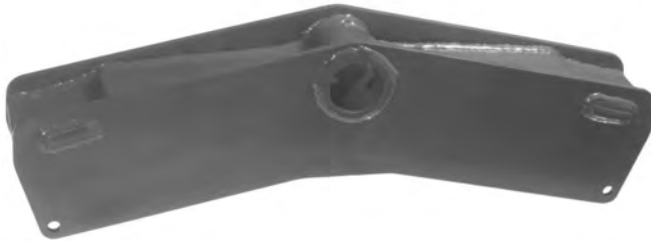
Hanger, LH; Use w/ 334-272 Rebound Kit; Obsolete; Model 201

338-1651



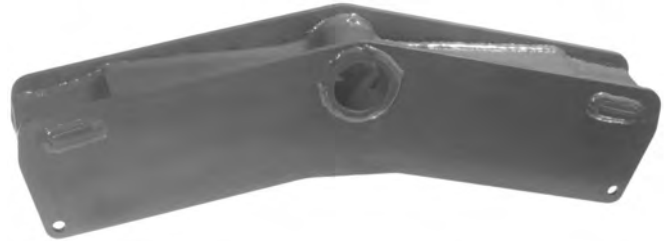
Hanger, RH; Use w/ 334-272 Rebound Kit; Obsolete; Model 201

338-1672



Equalizer; 23" Lg., 19 1/4" c/c holes; 54" Axle Spacing w/Cast Hangers; Use w/ 334-201 Rebound Kit and 321-149 Bushing; Model 21B

338-1673



Equalizer; 32 1/2" Lg., 29" c/c holes; 63 1/2"-65 1/2" Axle Spacing; Use w/ 334-201 Rebound Kit and 321-149 Bushing; Model 21B

338-1674



Equalizer; 23" Lg., 21 1/4" c/c holes; 54" Axle Spacing; Use w/ 334-201 Rebound Kit, Includes 321-305 Bushing; Model 21B/83

338-1675



Equalizer; 32 1/2" Lg., 29" c/c holes; 63 1/2"-65 1/2" Axle Spacing; Use w/ 334-201 Rebound Kit, Includes 321-305 Bushing; Model 21B/83

338-1676



Equalizer; 42" Lg., 40" c/c holes; 72" Axle Spacing; Use w/ 334-201 Rebound Kit, Includes 321-305 Bushing; Model 21B/83

338-1677



Hanger, Fabricated; Use w/ 334-252 T/R Bolt and Bushing Assy.; Model 21AR, 21B

338-1678



Hanger, Fabricated; Undermount; Use w/ 334-201 Rebound Kit; Model 21B

338-1679



Hanger, Fabricated; Undermount; Model 21B/21B-FAB

338-1817



Bracket, Torque Rod/Seat; 2"; 5" Square Axles; Use w/ 334-316 T/R Bolt and Bushing Assy; Model 86/88/89

338-1826



Equalizer Assembly; 50" Axle Spacing; Includes 321-270 Bushing; Use w/ 334-415 Rebound Kit; Model 74B

338-190



Hanger, LH; Undermount; Weld-On; Use w/ 334-252 T/R Bolt and Bushing Assy; Model 21B

338-1941



Spacer, U-Bolt/Axle; Model 23/25/30 AR

338-2064



Hanger, LH/RH Undermount; Model 21B; cast weld-on

338-2065



Hanger, LH/RH Undermount; Model 21B; cast weld-on

338-2078



Hanger, Undermount; Model 88 "Stress-Tek"

338-2079



Seat Bracket; 4dg - 4 5/8" axle; Model 102AR

339-265



Service Kit - 1 Beam; REY-ALIGN®; Model 23/25/30AR

339-266



Service Kit - 1 Beam; Bolted Connection; Model 23/25/30AR

345-105



Torque Rod, Adjustable; 18 3/4"-19 1/2"Lg.; Use w/ 321-145 Bushings, Not Included; Models 21, 21B

345-109



Torque Rod, Adjustable; 21 3/4"-24"Lg.; Use w/ 321-145 Bushings Not Included; Model 21

345-110



Torque Rod, Rigid; 16 1/4"Lg. c/c, Cast Use w/ 321-145 Bushings, Not Included; Models 21AR, 21, 21B

345-111



Torque Rod, Rigid; 16 1/2"Lg. c/c; Use w/ 321-145 Bushings Not Included; Models 21, 21B

345-112



Torque Rod, Rigid; 18 7/8"Lg. c/c, Cast; Use w/ 321-145 Bushings Not Included; Models 21, 21B

345-113



Torque Rod, Rigid; 19 1/4"Lg. c/c; Use w/ 321-147 and 321-285 Bushings Not Included; Models 21, 102

345-121



Torque Rod, Rigid; 21"Lg. c/c; Use w/ 321-147 and 321-285 Bushings Not Included; Models 21, 102

345-130



Torque Rod, Adjustable; 15"-17 1/4"Lg.; Includes 321-153 Bushings; Models 31/41, 45, 102cc

345-133



Torque Rod, Rigid; 16 1/2"Lg. c/c; Includes 321-153 Bushings; Model 31/41

345-134



Torque Rod, Rigid; 19 3/8"Lg. c/c; Includes 321-153 Bushings; Models 31/41, 79KB

345-140



Torque Rod, Rigid; 20 3/8"Lg. c/c; Includes 321-153 Bushings; Model 31/41

345-143



Torque Rod, Rigid; 17"Lg. c/c; Includes 321-153 Bushings; Model 31/41

345-147



Torque Rod, Rigid; 19 5/16"Lg. c/c; Includes 321-153 Bushings; Model 101A/102W

345-148



Torque Rod, Rigid; 20 1/2"Lg. c/c; Includes 321-153 Bushing in Axle End; Use w/ 321-157 Bushing in Hanger End, Not Included; Model 102W

345-151



Torque Rod, Adjustable; 17 1/2"-19 1/2"Lg.; Includes 321-153 Bushing in Axle End; Use w/ 321-285 Bushing in Hanger End, Not Included; Model 102W

345-153



Torque Rod, Adjustable; 19 1/2"-21 1/2"Lg.; Includes 321-153 Bushing in Axle End; Use w/ 321-285 Bushing in Hanger End, Not Included; Models 102AR, 102W

345-155













Torque Rod, Rigid; 14 5/16"Lg. c/c; Includes 321-162 and 321-161 Bushings; Obsolete; Model 181/101F

345-156



Torque Rod, Rigid; 20 7/16"Lg. c/c; Includes 321-162 and 321-161 Bushings; Obsolete; Model 181/101F

<p>345-157</p>  <p>Torque Rod, Adjustable; 18 1/4"-21 1/2"Lg.; Includes 321-153 Bushings in Axle End; Models 86AR, 86/88/89</p>	<p>345-158</p>  <p>Torque Rod, Rigid; 19 7/8"Lg.; Includes 321-153 Bushings; Models 86AR, 86/88/89</p>
<p>345-182</p>  <p>Torque Rod, Adjustable; 18 1/2"-21 3/8"Lg.; Includes 321-153 Bushings, 2-5/8" End Width; Obsolete; Model 31/41</p>	<p>345-198</p>  <p>Torque Rod, Adjustable; 19 1/2"-21 3/4"Lg.; Use w/ 321-145 Bushings; Models 21, 21B, 45, 102, 102cc</p>
<p>345-199</p>  <p>Torque Rod, Adjustable; 15"-17 1/4"Lg.; Use w/ 321-145 Bushings; Model 21, 21B, 21AR</p>	<p>345-697</p>  <p>Torque Rod, Adjustable; 24"-26 1/4"Lg.; Use w/ 321-145 Bushings; Model 21B, 102</p>
<p>345-698</p>  <p>Torque Rod, Adjustable; 26 1/4"-28 1/2"Lg.; Use w/ 321-145 Bushings; Model 21B</p>	<p>345-702</p>  <p>Torque Rod, Adjustable; 24"-26 1/4"Lg.; Includes 321-153 Bushings; Model 102AR</p>
<p>345-703</p>  <p>Torque Rod, Adjustable; 12 3/4"-15"Lg.; Includes 321-304 and 321-153 Bushings; Model 83</p>	<p>345-704</p>  <p>Torque Rod, Adjustable; 19 1/2"-21 3/4"Lg. Includes 321-304 and 321-153 Bushings; Model 83</p>

Reyco

Component Photos

345-705



Torque Rod, Adjustable; 21 3/4"-24"Lg.; Includes 321-304 and 321-153 Bushings; Model 83

345-706



Torque Rod, Adjustable; 24"-26 1/4"Lg.; Includes 321-304 and 321-153 Bushings; Model 83

345-707



Torque Rod, Adjustable; 26 1/4"-28 1/2"Lg.; Includes 321-304 and 321-153 Bushings; Model 83

345-709



Torque Rod, Adjustable; 37 1/2"-39 3/4"Lg.; Includes 321-153 Bushings; Model 86AR

345-710



Torque Rod, Adjustable; 42"-44 1/4"Lg.; Includes 321-153 Bushings; Model 86AR

345-902



Track Rod, Rigid; 44"; Incl. 321-153 bushings; 48" frame; Model 86AR