

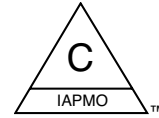
# Drainage



## **Specification Drainage Products Catalog and Price List**

*Effective April 2, 2012*

# Drainage Products Standards



**American National Standards Institute (ANSI)**  
**American Society of Sanitary Engineering (ASSE)**  
**Plumbing & Drainage Institute (PDI)**  
**International Association of Plumbing and Mechanical Officials (IAPMO)**

Product Group	ANSI	ASSE	PDI	IAPMO
Fixture Carriers	A112.6.1M-97			A112.6.1M-97
Floor Drains	A112.6.3-01			A112.6.3-01
Floor Sinks	A112.6.7-2001			A112.6.7-2001
Roof Drains	A112.6.4-2003			A112.6.4-2003
Wall Hydrants		1019-2004		1019-2004
Water Hammer Arrestors		1010-04	WH-201	1010-04
Cleanouts	A112-36.2M-91			A112-36.2M-91
Trap Seal Primers		1018-2001		1018-2001
Grease Interceptors	A112.14.3-2000		G-101	A112.14.3-2000
Solids Interceptors				IGC167-2011



**Drainage Products Division**  
**A Watts Water Technologies Company**  
**100 Watts Road**  
**Spindale, NC. 28160**  
**Phone: 828-248-3995**  
**Fax: 828-248-3929**

**Call Toll-Free:**  
**1-800-338-2581**



## PL-WD Table of Contents

### Floor Drains

Finished Area Floor Drains	5-12
On-grade Finished Area Floor Drains	13-21, 47-48
Area Drains	22-29, 32-34
General Purpose Floor Drains	30
Parking Area Drains	31, 35-36, 43
Isolation Floor Drains	37-38
Flushing Rim Floor Drains	39-40
Planter Area Drains	41
Containment Drain	42
Stainless Steel Top Floor Drains	44-45
Chemical Resistant Floor Drains	46

### Sanitary Floor Sinks

Sanitary Floor Sinks	49-54
----------------------	-------

### Can Wash Drains

Can Wash Drains	55
-----------------	----

### Sanitary Floor Receptor

Sanitary Floor Receptor	56
-------------------------	----

### Trench Drains

Dead Level Trench Drains	57-59
Trench Grating	60

### Roof Drains

Roof Drains	61-64, 68, 73
Balcony Drains	65
Combination Roof Drains	66
Scupper Drains	67
High Volume Roof Drains	69-70
Deck Receptor Drain	71
Specialty Roof Drains	72
Vent Caps	74
Expansion Couplings	74
Downspout Nozzles	75-76

### Interceptors

Grease Interceptors	77-80
Oil Interceptors	81-82
Sediment Interceptors	83-84
Lint & Sand Interceptors	85

### Cleanouts

Adjustable Floor Cleanouts	86-92
Access Housings	93
Access Covers	94
General Purpose Floor Cleanouts	95-96
Wall Cleanouts	97-99
Stainless Steel Top Floor Cleanouts	100-101

### Hydrants

Ground Hydrants	103
Wall Hydrants	102, 104
Yard Hydrants	105

### Miscellaneous

Water Hammer Arrestors	106
Backwater Valves	107-108
Trap Primers, Adaptors	108-109
Fresh Air Inlet	109
Pipe Sleeves	109

### Fixture Carriers

Industry Standard Water Closet Carriers	110-117
Industry Standard Thin Wall Water Closet Carriers	118-120
Lavatory/Urinal Carriers	121-122
Lavatory/Water Cooler Carriers	123
Lavatory/Service Sink Carriers	124

### Numeric Suffixes

Code	Description	Code	Description
-1	Nickel Bronze	-21	Secondary Strainer
-3	Stainless Steel	-22	Less Grate
-4	Ductile Iron	-34	Closure Plug
-5	Sediment Bucket	-34B	Gasketed Bronze Plug
-6	Vandal Proof	-38	Solids Retaining Baffle
-7	Trap Primer Tapping	-81	Bronze Dome
-8	Backwater Valve	-83	SS Screen
-9	Hinged Grate	-88	Wall Clamp
-12	Galvanized Top Only	-128	Grate w/Center Opening
-13	Galvanized	-150	Half Grate
-14	Flat Grate	-175	3/4 Grate
-15	Strainer Extension		

### Alpha Suffixes

Code	Description	Code	Description
-A	45 Degree Outlet	-L	Vandal Proof
-A	Accutrol Flow Restrictor	-M1	Extended Nipple
-B	Sump Receiver	-M11	Tiling Frame
-C	Membrane Clamp	-M12	Rear Anchor Support
-D	Deck Clamp	-M20	Flush Valve Support
-E	Extension	-M23	Right Side Inlet
-F	Flange	-M24	Left Side Inlet
-F4-1	4" Round NB Funnel	-M54	2" Escutcheons
-F4-50	4" Round Cast Iron Funnel	-M55	4" Escutcheons
-F6-1	6" Round NB Funnel	-M60	Flush Valve Support
-FC	Flange & Clamp	-O	Non-Standard Inlet/Outlet
-G-1	4" x 9" Oval NB Funnel	-R	External Water Dam
-G-50	4" x 9" Oval C.I. Funnel	-SO	Side Outlet
-GSS	SS Ballast Guard	-SS	Stainless Steel
-K	Cylinder Lock	-TG	Top Grate
-K	Ductile Iron Dome	-V	Fixed Extension
-K13	Galvanized Dome	-VB	Vacuum Breaker
-K40	Ductile Iron Low Dome	-W	Internal Water Dam
-K80	Aluminum Dome	-Y	Fixed Top
-K83	SS Screen Dome	-Z	Elastomeric Flange

### Outlet Description

**Note: All Drainage products are supplied with NH (No Hub) connections standard unless otherwise indicated.**

Code	Description
-P	Push-On
-T or -THD	IPS Threaded
-X	Inside Caulk
-60	PVC Socket
-61	ABS Socket



Consult factory for all applications outside of listed parameters. Prices do not include applicable taxes.

## Terms & Conditions

### FREIGHT TERMS:

Shipments from the factory of less than \$5,000.00 net are F.O.B. factory. Factory shipments over \$5,000.00 net will be prepaid and allowed within the continental United States when made at the lowest motor carrier transportation rate.

### TERMS OF SALE:

All sales are F.O.B. shipping point.

### PAYMENT TERMS:

Invoices are due and payable 30 days from the date of invoice. A 2% cash discount is allowed on net amount of invoice if paid on or before the 10th of the following month. Invoices dated on or after the 25th will be considered as dated the first of the next month.

### STOCKING WHOLESALER MINIMUM CHARGE:

A minimum billing charge of \$75.00 applies to shipments F.O.B. factory. Stocking Wholesaler Customers are encouraged to order sufficient material to avoid this charge which is necessitated by increased costs of processing small orders.

### SPECIAL PRODUCTS:

Orders for special or modified products are non-cancelable and non-returnable.

### LIMITED WARRANTY:

**Watts Regulator Co.** (the "Company") warrants each product to be free from defects in material and workmanship under normal usage for a period of one year from the date of original shipment. In the event of such defects within the warranty period, the Company will, at its option, replace or recondition the product without charge.

THE WARRANTY SET FORTH HEREIN IS GIVEN EXPRESSLY AND IS THE ONLY WARRANTY GIVEN BY THE COMPANY WITH RESPECT TO THE PRODUCT. THE COMPANY MAKES NO OTHER WARRANTIES, EXPRESS OR IMPLIED. THE COMPANY HEREBY SPECIFICALLY DISCLAIMS ALL OTHER WARRANTIES, EXPRESS OR IMPLIED, INCLUDING BUT NOT LIMITED TO THE IMPLIED WARRANTIES OF MERCHANTABILITY AND FITNESS FOR A PARTICULAR PURPOSE.

The remedy described in the first paragraph of this warranty shall constitute the sole and exclusive remedy for breach of warranty, and the Company shall not be responsible for any incidental, special or consequential damages, including without limitation, lost profits or the cost of repairing or replacing other property which is damaged if this product does not work properly, other costs resulting from labor charges, delays, vandalism, negligence, fouling caused by foreign material, damage from adverse water conditions, chemical, or any other circumstances over which the Company has no control. This warranty shall be invalidated by any abuse, misuse, misapplication, improper installation or improper maintenance or alteration of the product.

Some States do not allow limitations on how long an implied warranty lasts, and some States do not allow the exclusion or limitation of incidental or consequential damages. Therefore the above limitations may not apply to you. This Limited Warranty gives you specific legal rights, and you may have other rights that vary from State to State. You should consult applicable state laws to determine your rights. SO FAR AS IS CONSISTENT WITH APPLICABLE STATE LAW, ANY IMPLIED WARRANTIES THAT MAY NOT BE DISCLAIMED, INCLUDING THE IMPLIED WARRANTIES OF MERCHANTABILITY AND FITNESS FOR A PARTICULAR PURPOSE, ARE LIMITED IN DURATION TO ONE YEAR FROM THE DATE OF ORIGINAL SHIPMENT.

### RETURNED GOODS RESTOCKING CHARGE:

No material shall be returned without authorization. When credit is issued it will be at the price charged, or prevailing price if lower, less handling charges based on costs of reconditioning, boxing, etc. However, a minimum 25% handling charge will apply. A minimum handling charge of \$35.00 is applied whenever the 25% handling deduction does not total \$35.00. Products which are obsolete or made to special order are not returnable.

### NOTE:

Prices and terms are subject to change without notice and supersede all previous quotations. The right is reserved to change or modify product design or construction without prior notice and without incurring any obligation to make such changes and modifications on products previously or subsequently sold. All dimensions shown in this catalog are subject to manufacturing tolerances.

**WATTS Drainage** reserves the right to modify or change product design or construction without prior notice and without incurring any obligation to make similar changes and modifications to products previously or subsequently sold.

See your **WATTS Drainage** representative for any clarification.

# Examples of WATTS Drainage Alpha/Numeric Suffix System

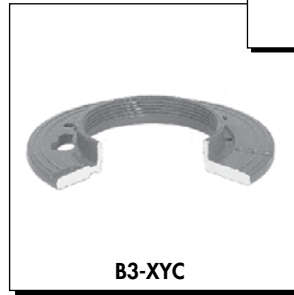
## Floor Drains With Adjustable Strainers

### Components:



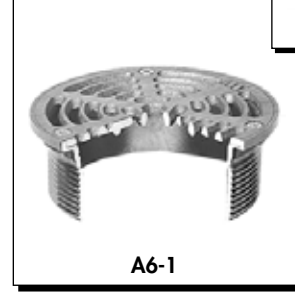
B3 Body, 3" Push-on connection standard with trap primer tapping.

+



Reversible clamp collar, attached with FC-1 hardware.

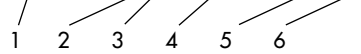
+



6" diameter nickel bronze strainer standard with vandal proof screws.

### Alpha/Numeric Description

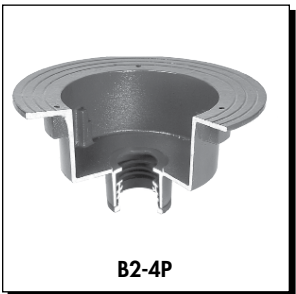
**FD - 103P - A6 - 5 - 7**



- 1. Series Number . . . . . - FD-100
- 2. Outlet Size . . . . . - 3" Outlet
- 3. Outlet Type . . . . . - Push-On Outlet - Suffix "P"
- 4. Strainer . . . . . - Type "A6" Strainer.
- 5. Option . . . . . - Sediment Bucket - Suffix "-5"
- 6. Option . . . . . - Trap Primer Tapping - Suffix "-7"

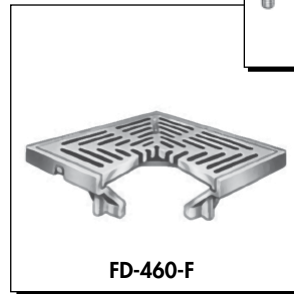
## Area Drains

### Components:



B2 Body, 4" Push-on Connection

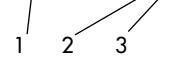
+



Fixed top assembly with ductile iron grate, attached with FC-1 hardware.

### Alpha/Numeric Description

**FD - 464P**



- 1. Series Number . . . . . - FD-460-F
- 2. Outlet Size . . . . . - 4" outlet
- 3. Outlet Type . . . . . - Push-on



Consult factory for all applications outside of listed parameters.  
Prices do not include applicable taxes.

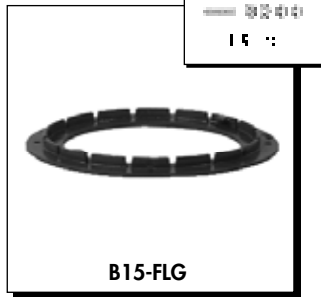
# Roof Drains

Components:



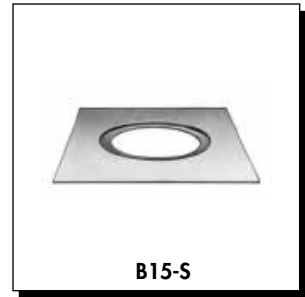
B15-6

B15 Body, 6" no hub connection.



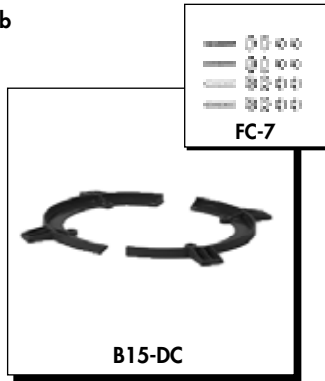
B15-FLG

Flashing Clamp w/Integral Gravel stop, attached with FC-6 Hardware.



B15-S

24" x 24" Sump Receiver



B15-DC

Underdeck Clamp with FC-7 hardware.



B2-DM

Poly dome standard

Alpha/Numeric Description:

**RD - 306 - B-D**

1 2 3 4 5

- 1. Series Number . . . . . - RD-300
- 2. Outlet Size . . . . . - 3" Outlet
- 3. Outlet type . . . . . - (Standard) No Hub
- 4. Option . . . . . - B Sump Receiver
- 5. Option . . . . . - D Underdeck Clamp

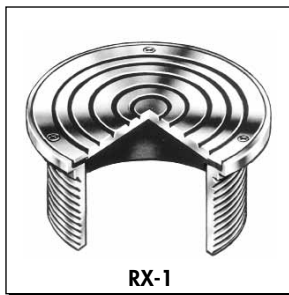
# Cleanout With Adjustable Top

Components:



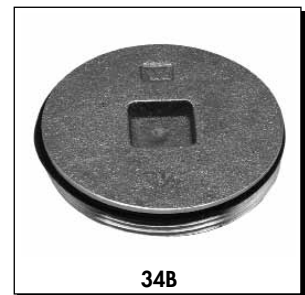
B4-34-4

B4-34 Body 4" No Hub Connection



RX-1

5" dia. heavy duty nickel bronze top, standard with vandal proof screws



34B

Gas-tight gasketed brass cleanout plug

Alpha/Numeric Description

**CO - 204 - RX**

1 2 3 4

- 1. Series Number . . . . . - CO-200.
- 2. Outlet Size . . . . . - 4" Outlet
- 3. Outlet Type . . . . . - (Standard) No Hub
- 4. Top . . . . . - Type RX strainer

Consult factory for all applications outside of listed parameters.  
Prices do not include applicable taxes.



# Finished Area Floor Drains

## FD-100-A

### Floor Drain with Round Strainer



Catalog Number	Wt., lbs.	Str. Size	Outlet Size	Strainer	List Price
FD-102, 3, 4-A5	11	5"	2, 3, 4"	nickel bronze	\$294.00
FD-102, 3, 4-A6	12.5	6"	2, 3, 4"	nickel bronze	359.00
FD-102, 3, 4-A7	14	7"	2, 3, 4"	nickel bronze	413.00
FD-102, 3, 4-A8	16	8"	2, 3, 4"	nickel bronze	517.00
FD-102, 3, 4-A10	21	10"	2, 3, 4"	nickel bronze	707.00

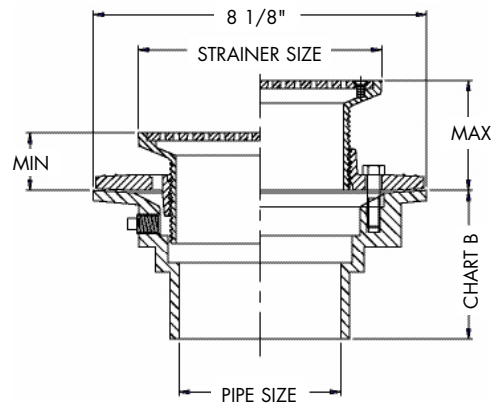


Chart A

Strainer	Min.	Max.
5"	13/16"	3-1/4"
6"	7/8"	3-3/8"
7"	11/16"	3-1/4"
8"	7/8"	3-1/4"
10"	1-1/4"	3-1/4"

Chart B

Pipe Size	No Hub	Push On	Female Thread	Inside Caulk	PVC/ABS
2"	3-5/8"	4-1/4"	4-1/4"	4-1/2"	4"
3"	3-5/8"	4-1/4"	4-1/4"	4-1/2"	4"
4"	3-5/8"	4-1/4"	4-1/4"	4-1/2"	4"
6"	3-1/2"				

## FD-100-B

### Floor Drain with Round Heavy Duty Strainer



Catalog Number	Wt., lbs.	Str. Size	Pipe Size	Strainer	List Price
FD-102, 3, 4-B5-4	13	5"	2, 3, 4"	ductile iron	\$289.00
FD-102, 3, 4-B5	11	5"	2, 3, 4"	nickel bronze	418.00
FD-102, 3, 4-B6	12.5	6"	2, 3, 4"	nickel bronze	483.00
FD-102, 3, 4-B8	16	8"	2, 3, 4"	nickel bronze	641.00
FD-102, 3, 4-B10	21	10"	2, 3, 4"	nickel bronze	834.00

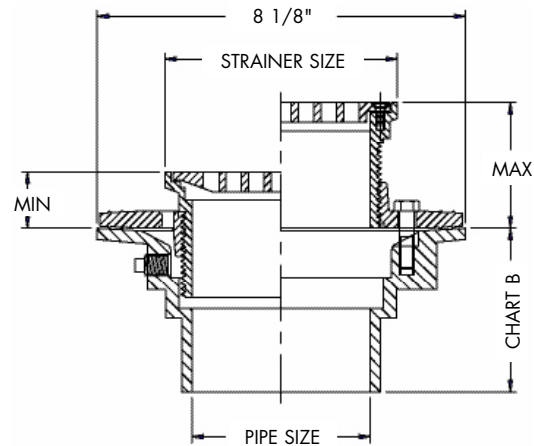


Chart A

Strainer	Min.	Max.
5"	13/16"	3-1/4"
6"	7/8"	3-3/8"
8"	7/8"	3-1/4"
10"	1-1/4"	3-1/4"

Chart B

Pipe Size	No Hub	Push On	Female Thread	Inside Caulk	PVC/ABS
2"	3-5/8"	4-1/4"	4-1/4"	4-1/2"	4"
3"	3-5/8"	4-1/4"	4-1/4"	4-1/2"	4"
4"	3-5/8"	4-1/4"	4-1/4"	4-1/2"	4"
6"	3-1/2"				

### Options for FD-100 Series:

Suffix	Description	List Price	Suffix	Description	List Price
None	No Hub Outlet	No Add	-13	Galvanized Body	119.00
P	Push-On Outlet	No Add	-15	Strainer Extension (DD-50)	84.00
T	Threaded Outlet	47.00	-60	PVC Body w/Socket Outlet (2, 3, 4" Only)	No Add
X	Inside Caulk	No Add	-61	ABS Body w/Socket Outlet (2, 3, 4" Only)	No Add
None	6" Outlet No Hub Only	73.00	-F4-50	4" Round Cast Iron Funnel	107.00
-5	Sediment Bucket	65.00	-F4-1	4" Round Nickel Bronze Funnel	256.00
-6	Vandal Proof	33.00	-F6-1	6" Round Nickel Bronze Funnel	380.00
-7	Trap Primer Tapping	NO ADD	-G-50	4x9" Oval Cast Iron Funnel	256.00
-8	Backwater Valve (2, 3, 4" Only)	148.00	-G-1	4x9" Oval Nickel Bronze Funnel	531.00
			-S0	Side Outlet (2, 3, 4" Only)	132.00



Consult factory for all applications outside of listed parameters.  
Prices do not include applicable taxes.

# Finished Area Floor Drains

## FD-100-AS

### Floor Drain with Angle Strainer



Catalog Numbers	Wt., lbs.	Str. Size	Outlet Size	Strainer	List Price
FD-102, 3, 4-A-5	15	5"x 4"	2, 3, 4"	nickel bronze	\$1187.00

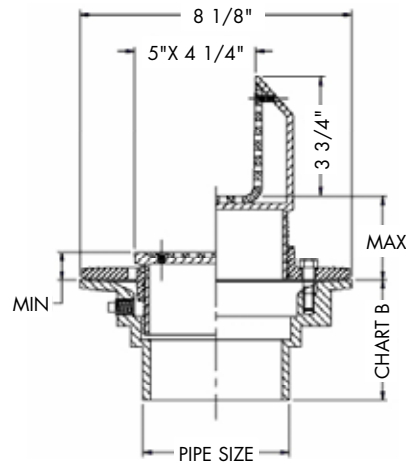


Chart B

Pipe Size	No Hub	Push On	Female Thread	Inside Caulk	PVC/ABS
2"	3-5/8"	4-1/4"	4-1/4"	4-1/2"	4"
3"	3-5/8"	4-1/4"	4-1/4"	4-1/2"	4"
4"	3-5/8"	4-1/4"	4-1/4"	4-1/2"	4"
6"	3-1/2"				

## FD-100-DD

### Floor Drain with Hub Funnel



Catalog Numbers	Wt., lbs.	Outlet Size	Strainer	List Price
FD-102, 3, 4-DD-50	7	2, 3, 4"	cast iron	\$275.00
FD-102, 3, 4-DD-1	7	2, 3, 4"	nickel bronze	452.00

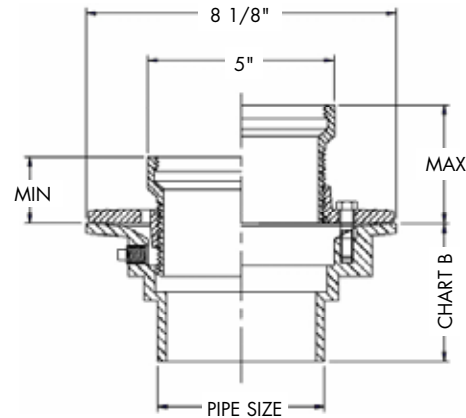


Chart B

Pipe Size	No Hub	Push On	Female Thread	Inside Caulk	PVC/ABS
2"	3-5/8"	4-1/4"	4-1/4"	4-1/2"	4"
3"	3-5/8"	4-1/4"	4-1/4"	4-1/2"	4"
4"	3-5/8"	4-1/4"	4-1/4"	4-1/2"	4"
6"	3-1/2"				

### Options for FD-100 Series:

Suffix	Description	List Price	Suffix	Description	List Price
None	No Hub Outlet	No Add	-13	Galvanized Body	119.00
P	Push-On Outlet	No Add	-15	Strainer Extension (DD-50)	84.00
T	Threaded Outlet	47.00	-60	PVC Body w/Socket Outlet (2, 3, 4" Only)	No Add
X	Inside Caulk	No Add	-61	ABS Body w/Socket Outlet (2, 3, 4" Only)	No Add
None	6" Outlet No Hub Only	73.00	-F4-50	4" Round Cast Iron Funnel	107.00
-5	Sediment Bucket	65.00	-F4-1	4" Round Nickel Bronze Funnel	256.00
-6	Vandal Proof	33.00	-F6-1	6" Round Nickel Bronze Funnel	380.00
-7	Trap Primer Tapping	NO ADD	-G-50	4x9" Oval Cast Iron Funnel	256.00
-8	Backwater Valve (2, 3, 4" Only)	148.00	-G-1	4x9" Oval Nickel Bronze Funnel	531.00
			-S0	Side Outlet (2, 3, 4" Only)	132.00

Consult factory for all applications outside of listed parameters.  
Prices do not include applicable taxes.





# Finished Area Floor Drains

## FD-100-EF

### Floor Drain with Round Funnel



Catalog Number	Wt., lbs.	Str. Size	Outlet Size	Funnel	List Price
FD-102, 3, 4-EF-1	9	5"	2, 3, 4"	nickel bronze	\$550.00
FD-102, 3, 4-EF-50	10	5"	2, 3, 4"	cast iron	401.00

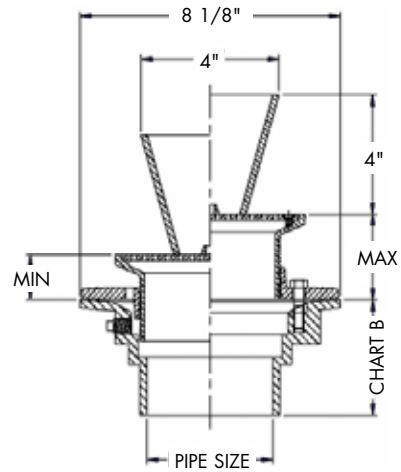


Chart A

Strainer Dia.	Min.	Max.
5"	7/8"	3-1/4"

Chart B

Pipe Size	No Hub	Push On	Female Thread	Inside Caulk	PVC/ABS
2"	3-5/8"	4-1/4"	4-1/4"	4-1/2"	4"
3"	3-5/8"	4-1/4"	4-1/4"	4-1/2"	4"
4"	3-5/8"	4-1/4"	4-1/4"	4-1/2"	4"
6"	3-1/2"				

## FD-100-EG

### Floor Drain with Oval Funnel



Catalog Number	Wt., lbs.	Str. Size	Outlet Size	Funnel	List Price
FD-102, 3, 4-EG-1	10	5"	2, 3, 4"	nickel bronze	\$825.00
FD-102, 3, 4-EG-50	10	5"	2, 3, 4"	cast iron	550.00

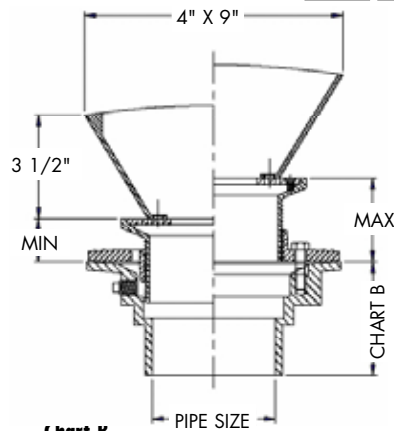


Chart A

Str. Dia.	Min.	Max.
5"	7/8"	3-1/4"

Chart B

Pipe Size	No Hub	Push On	Female Thread	Inside Caulk	PVC/ABS
2"	3-5/8"	4-1/4"	4-1/4"	4-1/2"	4"
3"	3-5/8"	4-1/4"	4-1/4"	4-1/2"	4"
4"	3-5/8"	4-1/4"	4-1/4"	4-1/2"	4"
6"	3-1/2"				

### Options for FD-100 Series:

Suffix	Description	List Price	Suffix	Description	List Price
None	No Hub Outlet	No Add	-13	Galvanized Body	119.00
P	Push-On Outlet	No Add	-15	Strainer Extension (DD-50)	84.00
T	Threaded Outlet	47.00	-60	PVC Body w/Socket Outlet (2, 3, 4" Only)	No Add
X	Inside Caulk	No Add	-61	ABS Body w/Socket Outlet (2, 3, 4" Only)	No Add
None	6" Outlet No Hub Only	73.00	-F4-50	4" Round Cast Iron Funnel	107.00
-5	Sediment Bucket	65.00	-F4-1	4" Round Nickel Bronze Funnel	256.00
-6	Vandal Proof	33.00	-F6-1	6" Round Nickel Bronze Funnel	380.00
-7	Trap Primer Tapping	NO ADD	-G-50	4x9" Oval Cast Iron Funnel	256.00
-8	Backwater Valve (2, 3, 4" Only)	148.00	-G-1	4x9" Oval Nickel Bronze Funnel	531.00
			-S0	Side Outlet (2, 3, 4" Only)	132.00



Consult factory for all applications outside of listed parameters.  
Prices do not include applicable taxes.

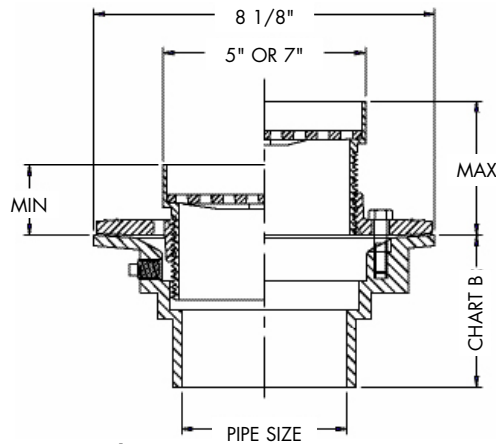
# Finished Area Floor Drains

**FD-100-ER**

**Floor Drain with Extended Rim Strainer**



Catalog Number	Wt., lbs.	Str. Size	Outlet Size	Strainer	List Price
FD-102, 3, 4-ER5	11	5"	2, 3, 4"	nickel bronze	\$630.00
FD-102, 3, 4-ER7	12	7"	2, 3, 4"	nickel bronze	678.00



**Chart A**

Str. Dia.	Min.	Max.
5"	1-1/2"	4"
7"	2-1/2"	4"

**Chart B**

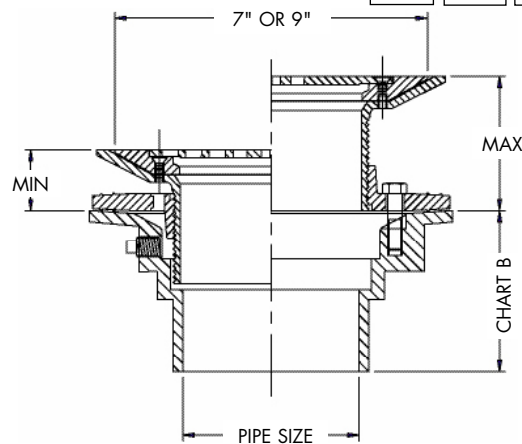
Pipe Size	No Hub	Push On	Female Thread	Inside Caulk	PVC/ABS
2"	3-5/8"	4-1/4"	4-1/4"	4-1/2"	4"
3"	3-5/8"	4-1/4"	4-1/4"	4-1/2"	4"
4"	3-5/8"	4-1/4"	4-1/4"	4-1/2"	4"
6"	3-1/2"				

**FD-100-FC**

**Floor Drain with Surface Membrane Clamp**



Catalog Number	Wt., lbs.	Str. Size	Outlet Size	Strainer	List Price
FD-102, 3, 4-FC7	15	7"	2, 3, 4"	nickel bronze	\$962.00
FD-102, 3, 4-FC9	18	9"	2, 3, 4"	nickel bronze	1230.00



**Chart A**

Str. Dia.	Min.	Max.
7"	2-1/4"	3-3/4"
9"	2-1/4"	3-3/4"

**Chart B**

Pipe Size	No Hub	Push On	Female Thread	Inside Caulk	PVC/ABS
2"	3-5/8"	4-1/4"	4-1/4"	4-1/2"	4"
3"	3-5/8"	4-1/4"	4-1/4"	4-1/2"	4"
4"	3-5/8"	4-1/4"	4-1/4"	4-1/2"	4"
6"	3-1/2"				

## Options for FD-100 Series:

Suffix	Description	List Price	Suffix	Description	List Price
None	No Hub Outlet	No Add	-13	Galvanized Body	119.00
P	Push-On Outlet	No Add	-15	Strainer Extension (DD-50)	84.00
T	Threaded Outlet	47.00	-60	PVC Body w/Socket Outlet (2, 3, 4" Only)	No Add
X	Inside Caulk	No Add	-61	ABS Body w/Socket Outlet (2, 3, 4" Only)	No Add
None	6" Outlet No Hub Only	73.00	-F4-50	4" Round Cast Iron Funnel	107.00
-5	Sediment Bucket	65.00	-F4-1	4" Round Nickel Bronze Funnel	256.00
-6	Vandal Proof	33.00	-F6-1	6" Round Nickel Bronze Funnel	380.00
-7	Trap Primer Tapping	NO ADD	-G-50	4x9" Oval Cast Iron Funnel	256.00
-8	Backwater Valve (2, 3, 4" Only)	148.00	-G-1	4x9" Oval Nickel Bronze Funnel	531.00
			-50	Side Outlet (2, 3, 4" Only)	132.00

Consult factory for all applications outside of listed parameters.  
Prices do not include applicable taxes.



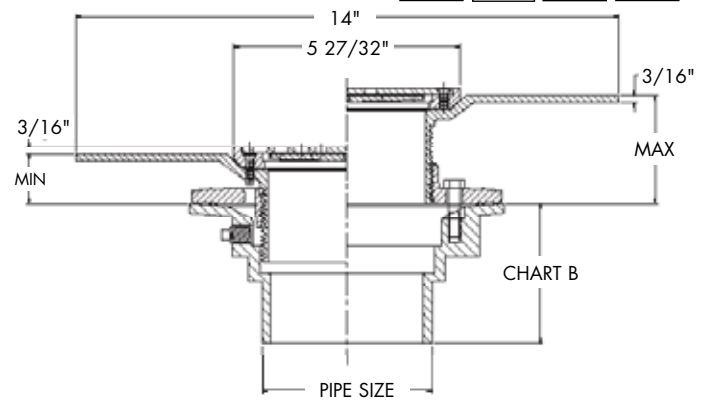
# Finished Area Floor Drains

**FD-100-H**

**Floor Drain with Elastomeric Flange**



Catalog Number	Wt., lbs.	Str. Size	Outlet Size	Strainer	List Price
FD-102, 3, 4-H	15	6"	2, 3, 4"	nickel bronze	\$846.00



**Chart A**

Str. Dia.	Min.	Max.
6"	7/8"	3-1/4"

**Chart B**

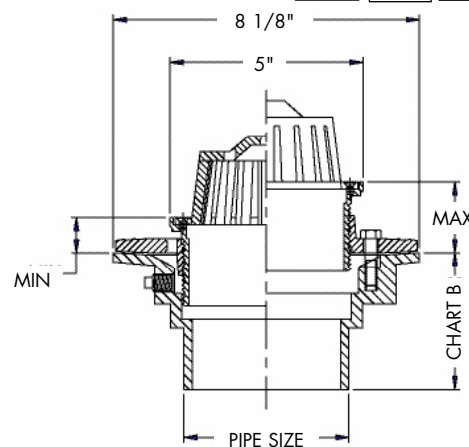
Pipe Size	No Hub	Push On	Female Thread	Inside Caulk	PVC/ABS
2"	3-5/8"	4-1/4"	4-1/4"	4-1/2"	4"
3"	3-5/8"	4-1/4"	4-1/4"	4-1/2"	4"
4"	3-5/8"	4-1/4"	4-1/4"	4-1/2"	4"
6"	3-1/2"				

**FD-100-K**

**Floor Drain with Dome Strainer**



Catalog Number	Wt., lbs.	Str. Size	Outlet Size	Strainer	List Price
FD-102, 3, 4-K	11	5" dome	2, 3, 4"	nickel bronze	\$413.00



**Chart B**

Pipe Size	No Hub	Push On	Female Thread	Inside Caulk	PVC/ABS
2"	3-5/8"	4-1/4"	4-1/4"	4-1/2"	4"
3"	3-5/8"	4-1/4"	4-1/4"	4-1/2"	4"
4"	3-5/8"	4-1/4"	4-1/4"	4-1/2"	4"
6"	3-1/2"				

**Options for FD-100 Series:**

Suffix	Description	List Price	Suffix	Description	List Price
None	No Hub Outlet	No Add	-13	Galvanized Body	119.00
P	Push-On Outlet	No Add	-15	Strainer Extension (DD-50)	84.00
T	Threaded Outlet	47.00	-60	PVC Body w/Socket Outlet (2, 3, 4" Only)	No Add
X	Inside Caulk	No Add	-61	ABS Body w/Socket Outlet (2, 3, 4" Only)	No Add
None	6" Outlet No Hub Only	73.00	-F4-50	4" Round Cast Iron Funnel	107.00
-5	Sediment Bucket	65.00	-F4-1	4" Round Nickel Bronze Funnel	256.00
-6	Vandal Proof	33.00	-F6-1	6" Round Nickel Bronze Funnel	380.00
-7	Trap Primer Tapping	NO ADD	-G-50	4x9" Oval Cast Iron Funnel	256.00
-8	Backwater Valve (2, 3, 4" Only)	148.00	-G-1	4x9" Oval Nickel Bronze Funnel	531.00
			-S0	Side Outlet (2, 3, 4" Only)	132.00



Consult factory for all applications outside of listed parameters.  
Prices do not include applicable taxes.

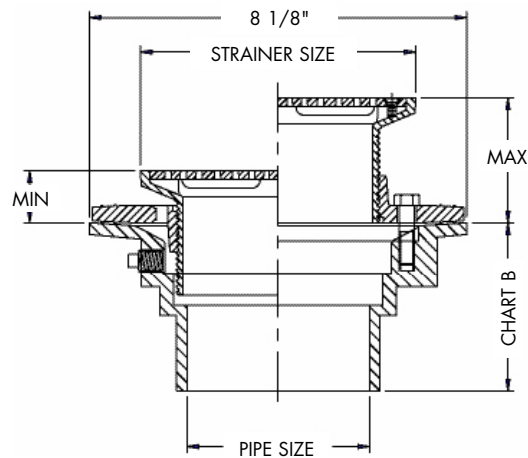
# Finished Area Floor Drains

**FD-100-L**

**Floor Drain with Square Heavy Duty Strainer**



Catalog Number	Wt., lbs.	Str. Size	Outlet Size	Strainer	List Price
FD-102, 3, 4-L5	10	5"x5"	2, 3, 4"	nickel bronze	\$415.00
FD-102, 3, 4-L5-4	11	5"x5"	2, 3, 4"	ductile iron	306.00
FD-102, 3, 4-L6	14	6"x6"	2, 3, 4"	nickel bronze	560.00
FD-102, 3, 4-L6-9	14	6"x6"	2, 3, 4"	NB hinged	726.00
FD-102, 3, 4-L8	16	8"x8"	2, 3, 4"	nickel bronze	757.00
FD-102, 3, 4-L8-9	16	8"x8"	2, 3, 4"	NB hinged	923.00



**Chart A**

Strainer	Min.	Max.
5"x5"	7/8"	3-1/4"
6"x6"	1"	3-1/4"
8"x8"	1-3/8"	3-5/8"

**Chart B**

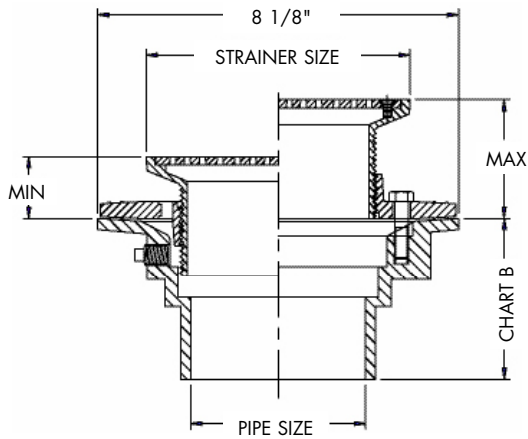
Pipe Size	No Hub	Push On	Female Thread	Inside Caulk	PVC/ABS
2"	3-5/8"	4-1/4"	4-1/4"	4-1/2"	4"
3"	3-5/8"	4-1/4"	4-1/4"	4-1/2"	4"
4"	3-5/8"	4-1/4"	4-1/4"	4-1/2"	4"
6"	3-1/2"				

**FD-100-M**

**Floor Drain with Square Strainer**



Catalog Number	Wt., lbs.	Str. Size	Outlet Size	Strainer	List Price
FD-102, 3, 4-M5	10	5"x5"	2, 3, 4"	nickel bronze	\$391.00
FD-102, 3, 4-M6	14	6"x6"	2, 3, 4"	nickel bronze	436.00
FD-102, 3, 4-M6-9	14	6"x6"	2, 3, 4"	NB hinged	602.00
FD-102, 3, 4-M8	16	8"x8"	2, 3, 4"	nickel bronze	633.00
FD-102, 3, 4-M8-9	16	8"x8"	2, 3, 4"	NB hinged	799.00



**Chart A**

Strainer	Min.	Max.
5"x5"	7/8"	3-1/4"
6"x6"	1"	3-1/4"
8"x8"	1-3/8"	3-5/8"

**Chart B**

Pipe Size	No Hub	Push On	Female Thread	Inside Caulk	PVC/ABS
2"	3-5/8"	4-1/4"	4-1/4"	4-1/2"	4"
3"	3-5/8"	4-1/4"	4-1/4"	4-1/2"	4"
4"	3-5/8"	4-1/4"	4-1/4"	4-1/2"	4"
6"	3-1/2"				

**Options for FD-100 Series:**

Suffix	Description	List Price	Suffix	Description	List Price
None	No Hub Outlet	No Add	-13	Galvanized Body	119.00
P	Push-On Outlet	No Add	-15	Strainer Extension (DD-50)	84.00
T	Threaded Outlet	47.00	-60	PVC Body w/Socket Outlet (2, 3, 4" Only)	No Add
X	Inside Caulk	No Add	-61	ABS Body w/Socket Outlet (2, 3, 4" Only)	No Add
None	6" Outlet No Hub Only	73.00	-F4-50	4" Round Cast Iron Funnel	107.00
-5	Sediment Bucket	65.00	-F4-1	4" Round Nickel Bronze Funnel	256.00
-6	Vandal Proof	33.00	-F6-1	6" Round Nickel Bronze Funnel	380.00
-7	Trap Primer Tapping	NO ADD	-G-50	4x9" Oval Cast Iron Funnel	256.00
-8	Backwater Valve (2, 3, 4" Only)	148.00	-G-1	4x9" Oval Nickel Bronze Funnel	531.00
			-50	Side Outlet (2, 3, 4" Only)	132.00

Consult factory for all applications outside of listed parameters.  
Prices do not include applicable taxes.



# Finished Area Floor Drains

## FD-100-RS

### Floor Drain with Rectangular Strainer



Catalog Number	Wt., lbs.	Str. Size	Outlet Size	Strainer	List Price
FD-102, 3, 4-RS48	12	4x8"	2, 3, 4"	nickel bronze	\$642.00
FD-102, 3, 4-RS412	14	4x12"	2, 3, 4"	nickel bronze	870.00
FD-102, 3, 4-RS517	24	5x17"	2, 3, 4"	nickel bronze	927.00

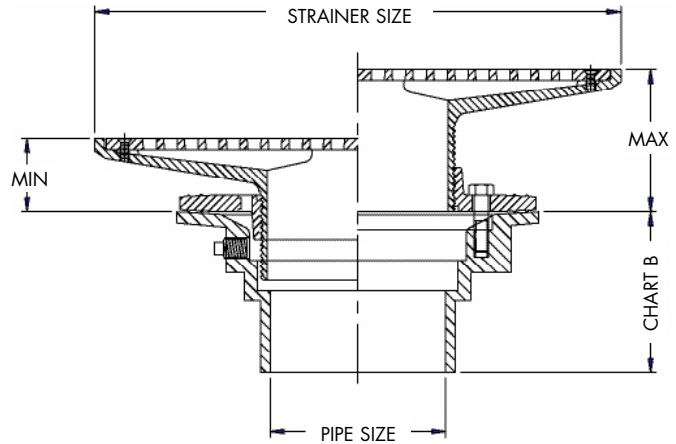


Chart A

Strainer	Min.	Max.
4"x8"	1-1/2"	3-3/4"
4"x12"	1-1/2"	3-3/4"
5"x17"	2"	4-3/8"

Chart B

Pipe Size	No Hub	Push On	Female Thread	Inside Caulk	PVC/ABS
2"	3-5/8"	4-1/4"	4-1/4"	4-1/2"	4"
3"	3-5/8"	4-1/4"	4-1/4"	4-1/2"	4"
4"	3-5/8"	4-1/4"	4-1/4"	4-1/2"	4"
6"	3-1/2"				

## FD-100-VD

### Floor Drain with Round Hinged Solid Cover



Catalog Numbers	Wt., lbs.	Str. Size	Outlet Size	Strainer	List Price
FD-102, 3, 4-VD	15	6" cover	2, 3, 4"	nickel bronze	\$530.00

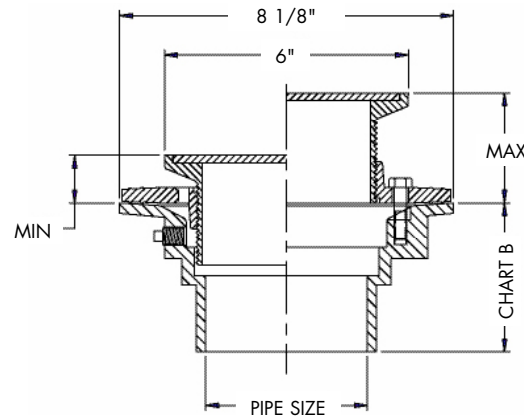


Chart B

Pipe Size	No Hub	Push On	Female Thread	Inside Caulk	PVC/ABS
2"	3-5/8"	4-1/4"	4-1/4"	4-1/2"	4"
3"	3-5/8"	4-1/4"	4-1/4"	4-1/2"	4"
4"	3-5/8"	4-1/4"	4-1/4"	4-1/2"	4"
6"	3-1/2"				

### Options for FD-100 Series:

Suffix	Description	List Price
None	No Hub Outlet	No Add
P	Push-On Outlet	No Add
T	Threaded Outlet	47.00
X	Inside Caulk	No Add
None	6" Outlet No Hub Only	73.00
-5	Sediment Bucket	65.00
-6	Vandal Proof	33.00
-7	Trap Primer Tapping	NO ADD
-8	Backwater Valve (2, 3, 4" Only)	148.00

Suffix	Description	List Price
-13	Galvanized Body	119.00
-15	Strainer Extension (DD-50)	84.00
-60	PVC Body w/Socket Outlet (2, 3, 4" Only)	No Add
-61	ABS Body w/Socket Outlet (2, 3, 4" Only)	No Add
-F4-50	4" Round Cast Iron Funnel	107.00
-F4-1	4" Round Nickel Bronze Funnel	256.00
-F6-1	6" Round Nickel Bronze Funnel	380.00
-G-50	4x9" Oval Cast Iron Funnel	256.00
-G-1	4x9" Oval Nickel Bronze Funnel	531.00
-S0	Side Outlet (2, 3, 4" Only)	132.00



Consult factory for all applications outside of listed parameters.  
Prices do not include applicable taxes.

# Finished Area Floor Drains

## FD-100-VS

### Floor Drain with Square Hinged Solid Cover

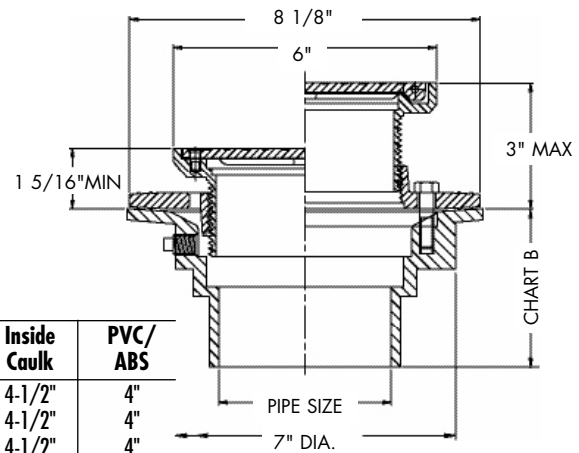


Catalog Numbers	Wt., lbs.	Str. Size	Outlet Size	Strainer	List Price
FD-102, 3, 4-VS	15	6"x6" cover	2, 3, 4"	nickel bronze	\$754.00



Chart B

Pipe Size	No Hub	Push On	Female Thread	Inside Caulk	PVC/ABS
2"	3-5/8"	4-1/4"	4-1/4"	4-1/2"	4"
3"	3-5/8"	4-1/4"	4-1/4"	4-1/2"	4"
4"	3-5/8"	4-1/4"	4-1/4"	4-1/2"	4"
6"	3-1/2"				



## FD-100-WD

### Floor Drain with Domed Standpipe



Catalog Number	Wt., lbs.	Str. Size	Outlet Size	List Price
FD-102, 3, 4-WD	11	domed standpipe	2, 3, 4"	\$1187.00

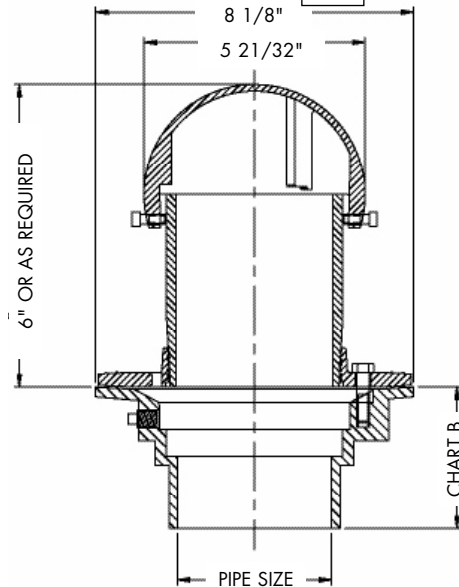


Chart B

Pipe Size	No Hub	Push On	Female Thread	Inside Caulk	PVC/ABS
2"	3-5/8"	4-1/4"	4-1/4"	4-1/2"	4"
3"	3-5/8"	4-1/4"	4-1/4"	4-1/2"	4"
4"	3-5/8"	4-1/4"	4-1/4"	4-1/2"	4"
6"	3-1/2"				

### Options for FD-100 Series:

Suffix	Description	List Price
None	No Hub Outlet	No Add
P	Push-On Outlet	No Add
T	Threaded Outlet	47.00
X	Inside Caulk	No Add
None	6" Outlet No Hub Only	73.00
-5	Sediment Bucket	65.00
-6	Vandal Proof	33.00
-7	Trap Primer Tapping	NO ADD
-8	Backwater Valve (2, 3, 4" Only)	148.00

Suffix	Description	List Price
-13	Galvanized Body	119.00
-15	Strainer Extension (DD-50)	84.00
-60	PVC Body w/Socket Outlet (2, 3, 4" Only)	No Add
-61	ABS Body w/Socket Outlet (2, 3, 4" Only)	No Add
-F4-50	4" Round Cast Iron Funnel	107.00
-F4-1	4" Round Nickel Bronze Funnel	256.00
-F6-1	6" Round Nickel Bronze Funnel	380.00
-G-50	4x9" Oval Cast Iron Funnel	256.00
-G-1	4x9" Oval Nickel Bronze Funnel	531.00
-50	Side Outlet (2, 3, 4" Only)	132.00

Consult factory for all applications outside of listed parameters.  
Prices do not include applicable taxes.





# On-Grade Finished Area Floor Drains

## FD-200-A

### Floor Drain with Round Strainer



Catalog Number	Wt., lbs.	Str. Size	Outlet Size	Strainer	List Price
FD-202, 3, 4-A5	8	5"	2, 3, 4"	nickel bronze	\$224.00
FD-202, 3, 4-A6	9.5	6"	2, 3, 4"	nickel bronze	289.00
FD-202, 3, 4-A7	12	7"	2, 3, 4"	nickel bronze	343.00
FD-202, 3, 4-A8	16	8"	2, 3, 4"	nickel bronze	447.00
FD-202, 3, 4-A10	20	10"	2, 3, 4"	nickel bronze	637.00

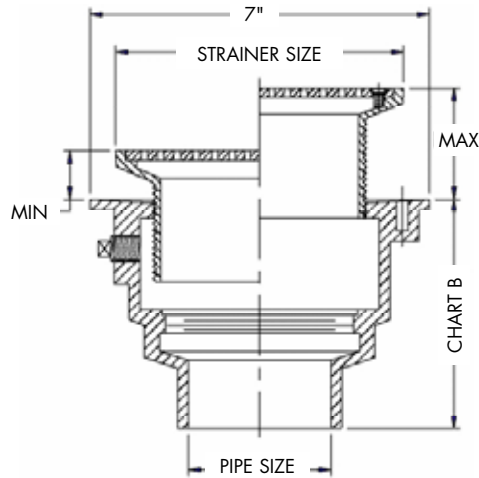


Chart A

Str. Dia.	Min.	Max.
5"	7/16"	2-1/4"
6"	5/8"	2-1/4"
7"	11/16"	2-1/4"
8"	3/4"	2-3/4"
10"	1"	2-1/4"

Chart B

Pipe Size	NH	Push-On	PVC/ABS
2"	4-3/4"	5-1/2"	4"
3"	4-3/4"	5-1/2"	4"
4"	4-3/4"	5-1/2"	4"

## FD-200-B

### Floor Drain with Round Heavy Duty Strainer



Catalog Number	Wt., lbs.	Str. Size	Outlet Size	Strainer	List Price
FD-202, 3, 4-B5-4	13	5"	2, 3, 4"	ductile iron	\$219.00
FD-202, 3, 4-B5	8	5"	2, 3, 4"	nickel bronze	348.00
FD-202, 3, 4-B6	9.5	6"	2, 3, 4"	nickel bronze	413.00
FD-202, 3, 4-B8	16	8"	2, 3, 4"	nickel bronze	571.00
FD-202, 3, 4-B10	20	10"	2, 3, 4"	nickel bronze	764.00

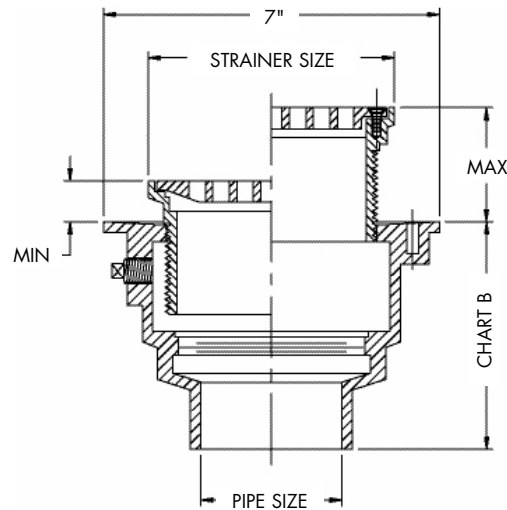


Chart A

Str. Dia.	Min.	Max.
5"	1"	2-1/4"
6"	1"	2-1/4"
8"	1-7/16"	2-3/4"
10"	1"	2-1/4"

Chart B

Pipe Size	NH	Push-On	PVC/ABS
2"	4-3/4"	5-1/2"	4"
3"	4-3/4"	5-1/2"	4"
4"	4-3/4"	5-1/2"	4"

### Options for FD-200 Series:

Suffix	Description	List Price	Suffix	Description	List Price
None	No Hub	No Add	-15	Strainer Extension (DD-50)	84.00
P	Push-On Outlet	No Add	-60	PVC Body w/Socket Outlet	No Add
-X	Inside Caulk	No Add	-61	ABS Body w/Socket Outlet	No Add
-5	Sediment Bucket	65.00	-F4-50	4" Round Cast Iron Funnel	107.00
-6	Vandal Proof	33.00	-F4-1	4" Round Nickel Bronze Funnel	256.00
-7	Trap Primer Tapping	NO ADD	-F6-1	6" Round Nickel Bronze Funnel	380.00
-8	Backwater Valve	148.00	-G-50	4x9" Oval Cast Iron Funnel	256.00
-13	Galvanized Body	119.00	-G-1	4x9" Oval Nickel Bronze Funnel	531.00



Consult factory for all applications outside of listed parameters.  
Prices do not include applicable taxes.

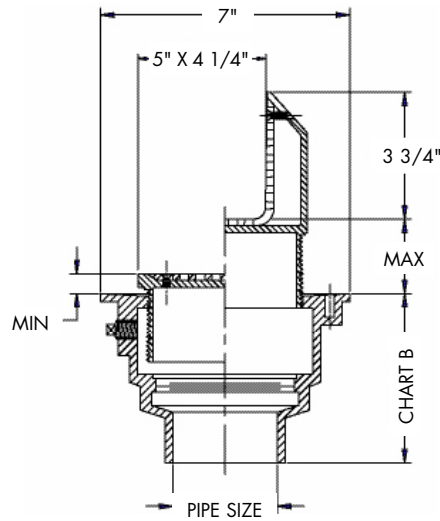
# On-Grade Finished Area Floor Drains

**FD-200-AS**

**Floor Drain with Angle Strainer**



Catalog Number	Wt., lbs.	Str. Size	Outlet Size	Strainer	List Price
FD-202, 3, 4-AS	8	5"x4"	2, 3, 4"	nickel bronze	\$1117.00



**Chart B**

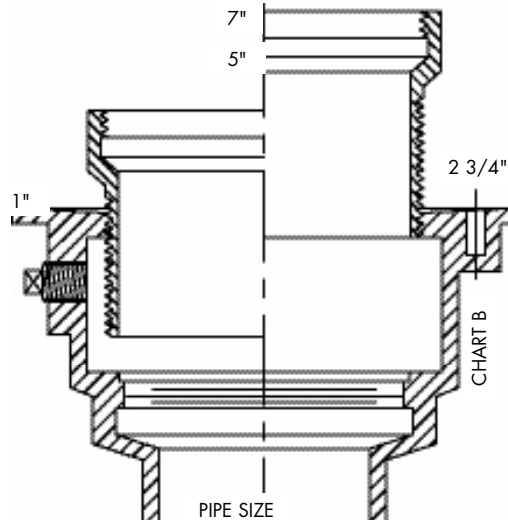
Pipe Size	NH	Push-On	PVC/ABS
2"	4-3/4"	5-1/2"	4"
3"	4-3/4"	5-1/2"	4"
4"	4-3/4"	5-1/2"	4"

**FD-200-DD**

**Floor Drain with Hub Funnel**



Catalog Number	Wt., lbs.	Str. Size	Outlet Size	Strainer	List Price
FD-202, 3, 4-DD-50	7	N/A	2, 3, 4"	cast iron	\$205.00
FD-202, 3, 4-DD-1	7	N/A	2, 3, 4"	nickel bronze	382.00



**Chart B**

Pipe Size	NH	Push-On	PVC/ABS
2"	4-3/4"	5-1/2"	4"
3"	4-3/4"	5-1/2"	4"
4"	4-3/4"	5-1/2"	4"

**Options for FD-200 Series:**

Suffix	Description	List Price	Suffix	Description	List Price
None	No Hub	No Add	-15	Strainer Extension (DD-50)	84.00
P	Push-On Outlet	No Add	-60	PVC Body w/Socket Outlet	No Add
-X	Inside Caulk	No Add	-61	ABS Body w/Socket Outlet	No Add
-5	Sediment Bucket	65.00	-F4-50	4" Round Cast Iron Funnel	107.00
-6	Vandal Proof	33.00	-F4-1	4" Round Nickel Bronze Funnel	256.00
-7	Trap Primer Tapping	NO ADD	-F6-1	6" Round Nickel Bronze Funnel	380.00
-8	Backwater Valve	148.00	-G-50	4x9" Oval Cast Iron Funnel	256.00
-13	Galvanized Body	119.00	-G-1	4x9" Oval Nickel Bronze Funnel	531.00

Consult factory for all applications outside of listed parameters.  
Prices do not include applicable taxes.





# On-Grade Finished Area Floor Drains

FD-200-EF

Floor Drain with Round Funnel



Catalog Number	Wt., lbs.	Str. Size	Outlet Size	Funnel	List Price
FD-202, 3, 4-EF-1	9	5"	2, 3, 4"	nickel bronze	\$480.00
FD-202, 3, 4-EF-50	10	5"	2, 3, 4"	cast iron	331.00

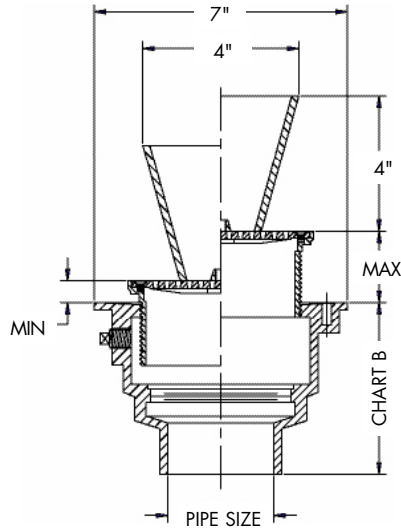


Chart A

Str. Dia.	Min.	Max.
5"	7/16"	1-5/8"

Chart B

Pipe Size	NH	Push-On	PVC/ABS
2"	4-3/4"	5-1/2"	4"
3"	4-3/4"	5-1/2"	4"
4"	4-3/4"	5-1/2"	4"

FD-200-EG

Floor Drain with Oval Funnel



Catalog Numbers	Wt., lbs.	Str. Size	Outlet Size	Funnel	List Price
FD-202, 3, 4-EG-1	10	5"	2, 3, 4"	nickel bronze	\$755.00
FD-202, 3, 4-EG-50	10	5"	2, 3, 4"	cast iron	480.00

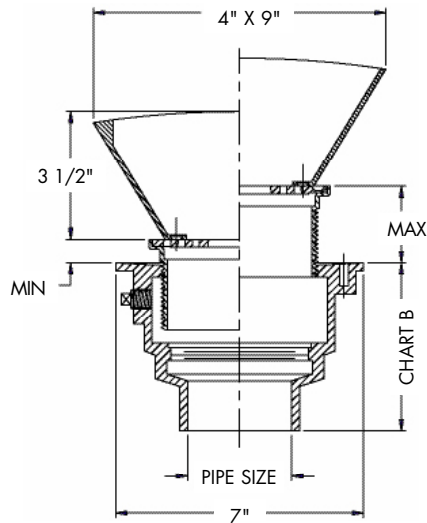


Chart A

Str. Dia.	Min.	Max.
5"	7/16"	1-5/8"

Chart B

Pipe Size	NH	Push-On	PVC/ABS
2"	4-3/4"	5-1/2"	4"
3"	4-3/4"	5-1/2"	4"
4"	4-3/4"	5-1/2"	4"

## Options for FD-200 Series:

Suffix	Description	List Price	Suffix	Description	List Price
None	No Hub	No Add	-15	Strainer Extension (DD-50)	84.00
P	Push-On Outlet	No Add	-60	PVC Body w/Socket Outlet	No Add
-X	Inside Caulk	No Add	-61	ABS Body w/Socket Outlet	No Add
-5	Sediment Bucket	65.00	-F4-50	4" Round Cast Iron Funnel	107.00
-6	Vandal Proof	33.00	-F4-1	4" Round Nickel Bronze Funnel	256.00
-7	Trap Primer Tapping	NO ADD	-F6-1	6" Round Nickel Bronze Funnel	380.00
-8	Backwater Valve	148.00	-G-50	4x9" Oval Cast Iron Funnel	256.00
-13	Galvanized Body	119.00	-G-1	4x9" Oval Nickel Bronze Funnel	531.00



Consult factory for all applications outside of listed parameters.  
Prices do not include applicable taxes.

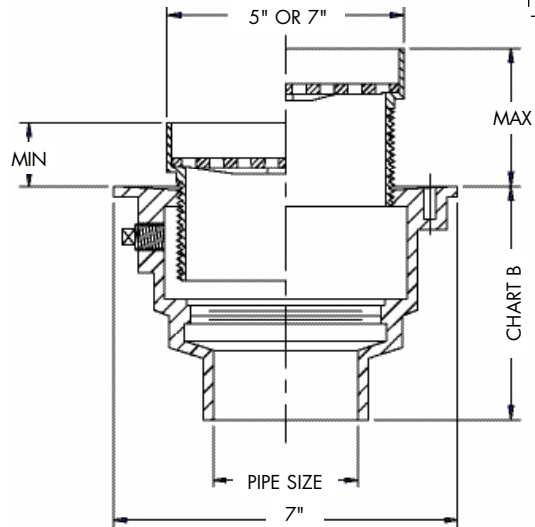
# On-Grade Finished Area Floor Drains

**FD-200-ER**

**Floor Drain with Extended Rim Strainer**



Catalog Number	Wt., lbs.	Str. Size	Outlet Size	Strainer	List Price
FD-202, 3, 4-ER5	11	5"	2, 3, 4"	nickel bronze	\$560.00
FD-202, 3, 4-ER7	12	7"	2, 3, 4"	nickel bronze	608.00



**Chart A**

Str. Dia.	Min.	Max.
5"	1-3/4"	3"
7"	1-3/4"	3"

**Chart B**

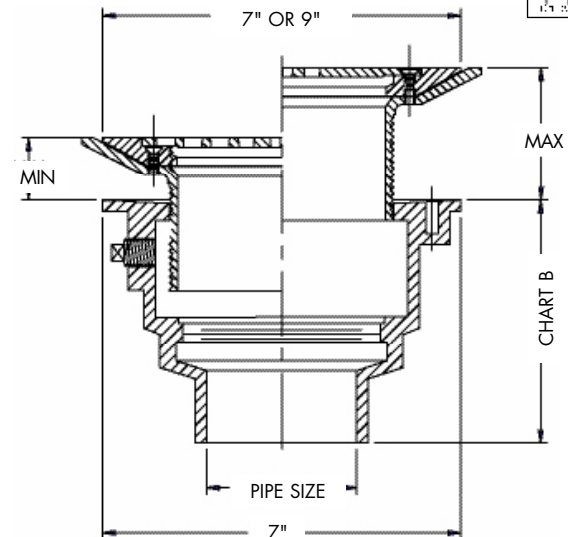
Pipe Size	NH	Push-On	PVC/ABS
2"	4-3/4"	5-1/2"	4"
3"	4-3/4"	5-1/2"	4"
4"	4-3/4"	5-1/2"	4"

**FD-200-FC**

**Floor Drain with Surface Membrane Clamp**



Catalog Number	Wt., lbs.	Str. Size	Outlet Size	Strainer	List Price
FD-202, 3, 4-FC7	15	7"	2, 3, 4"	nickel bronze	\$892.00
FD-202, 3, 4-FC9	16	9"	2, 3, 4"	nickel bronze	1160.00



**Chart A**

Str. Dia.	Min.	Max.
7"	1-1/2"	2-3/4"
7"	1-1/2"	2-3/4"

**Chart B**

Pipe Size	NH	Push-On	PVC/ABS
2"	4-3/4"	5-1/2"	4"
3"	4-3/4"	5-1/2"	4"
4"	4-3/4"	5-1/2"	4"

**Options for FD-200 Series:**

Suffix	Description	List Price	Suffix	Description	List Price
None	No Hub	No Add	-15	Strainer Extension (DD-50)	84.00
P	Push-On Outlet	No Add	-60	PVC Body w/Socket Outlet	No Add
-X	Inside Caulk	No Add	-61	ABS Body w/Socket Outlet	No Add
-5	Sediment Bucket	65.00	-F4-50	4" Round Cast Iron Funnel	107.00
-6	Vandal Proof	33.00	-F4-1	4" Round Nickel Bronze Funnel	256.00
-7	Trap Primer Tapping	NO ADD	-F6-1	6" Round Nickel Bronze Funnel	380.00
-8	Backwater Valve	148.00	-G-50	4x9" Oval Cast Iron Funnel	256.00
-13	Galvanized Body	119.00	-G-1	4x9" Oval Nickel Bronze Funnel	531.00

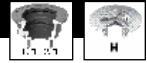
Consult factory for all applications outside of listed parameters.  
Prices do not include applicable taxes.



# On-Grade Finished Area Floor Drains

## FD-200-H

### Floor Drain with Elastomeric Flange



Catalog Number	Wt., lbs.	Str. Size	Outlet Size	Strainer	List Price
FD-202, 3, 4-H	15	6"	2, 3, 4"	nickel bronze	\$

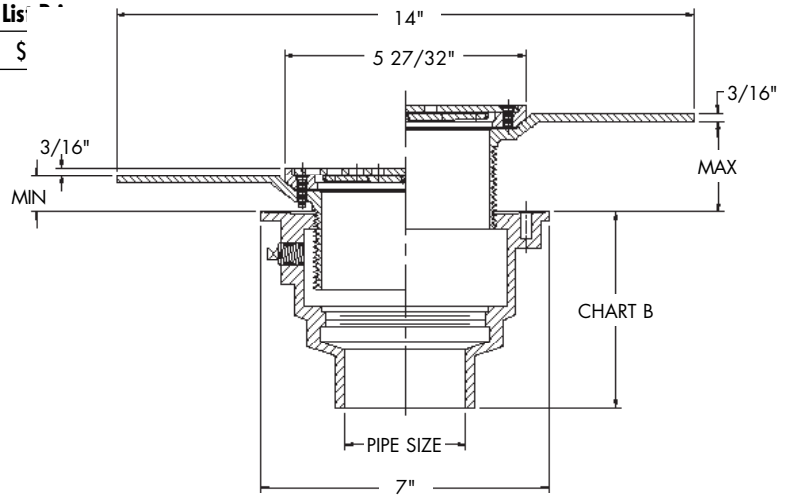


Chart A

Str. Dia.	Min.	Max.
6"	1"	2-1/4"

Chart B

Pipe Size	NH	Push-On	PVC/ABS
2"	4-3/4"	5-1/2"	4"
3"	4-3/4"	5-1/2"	4"
4"	4-3/4"	5-1/2"	4"

## FD-200-K

### Floor Drain with Dome Strainer



Catalog Number	Wt., lbs.	Str. Size	Outlet Size	Strainer	List Price
FD-202, 3, 4-K	11	5" dome	2, 3, 4"	nickel bronze	\$343.00

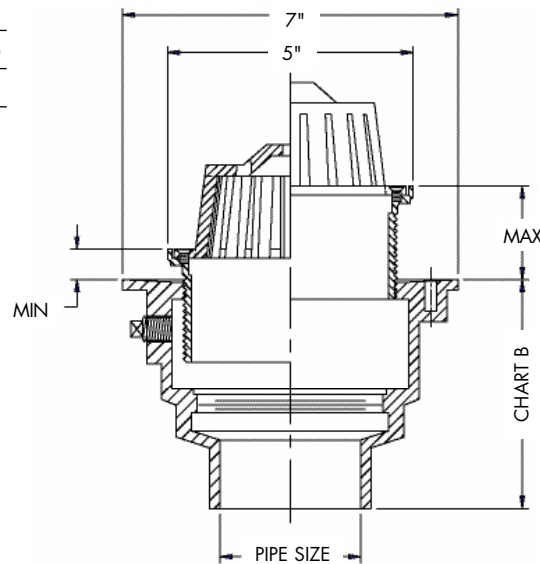


Chart A

Str. Dia.	Min.	Max.
5"	1"	2-1/4"

Chart B

Pipe Size	NH	Push-On	PVC/ABS
2"	4-3/4"	5-1/2"	4"
3"	4-3/4"	5-1/2"	4"
4"	4-3/4"	5-1/2"	4"

### Options for FD-200 Series:

Suffix	Description	List Price	Suffix	Description	List Price
None	No Hub	No Add	-15	Strainer Extension (DD-50)	84.00
P	Push-On Outlet	No Add	-60	PVC Body w/Socket Outlet	No Add
-X	Inside Caulk	No Add	-61	ABS Body w/Socket Outlet	No Add
-5	Sediment Bucket	65.00	-F4-50	4" Round Cast Iron Funnel	107.00
-6	Vandal Proof	33.00	-F4-1	4" Round Nickel Bronze Funnel	256.00
-7	Trap Primer Tapping	NO ADD	-F6-1	6" Round Nickel Bronze Funnel	380.00
-8	Backwater Valve	148.00	-G-50	4x9" Oval Cast Iron Funnel	256.00
-13	Galvanized Body	119.00	-G-1	4x9" Oval Nickel Bronze Funnel	531.00



Consult factory for all applications outside of listed parameters.  
Prices do not include applicable taxes.

# On-Grade Finished Area Floor Drains

## FD-200-L

### Floor Drain with Square Heavy Duty Strainer



Catalog Number	Wt., lbs.	Str. Size	Outlet Size	Strainer	List Price
FD-202, 3, 4-L5	10	5" Sq.	2, 3, 4"	nickel bronze	\$365.00
FD-202, 3, 4-L5-4	11	5" Sq.	2, 3, 4"	ductile iron	256.00
FD-202, 3, 4-L6	14	6" Sq.	2, 3, 4"	nickel bronze	490.00
FD-202, 3, 4-L6-9	14	6" Sq.	2, 3, 4"	NB hinged	656.00
FD-202, 3, 4-L8	16	8" Sq.	2, 3, 4"	nickel bronze	687.00
FD-202, 3, 4-L8-9	16	8" Sq.	2, 3, 4"	NB hinged	853.00

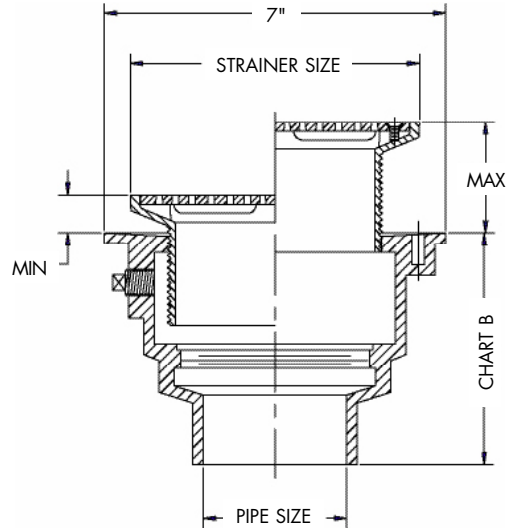


Chart A

Strainer	Min.	Max.
5"x5"	1-1/2"	2-5/16"
6"x6"	1-1/2"	2-5/16"
8"x8"	1-1/2"	2-3/4"

Chart B

Pipe Size	NH	Push-On	PVC/ABS
2"	4-3/4"	5-1/2"	4"
3"	4-3/4"	5-1/2"	4"
4"	4-3/4"	5-1/2"	4"

## FD-200-M

### Floor Drain with Square Strainer



Catalog Number	Wt., lbs.	Str. Size	Outlet Size	Strainer	List Price
FD-202, 3, 4-M5	10	5" Sq.	2, 3, 4"	nickel bronze	\$321.00
FD-202, 3, 4-M6	14	6" Sq.	2, 3, 4"	nickel bronze	366.00
FD-202, 3, 4-M6-9	14	6" Sq.	2, 3, 4"	NB hinged	532.00
FD-202, 3, 4-M8	16	8" Sq.	2, 3, 4"	nickel bronze	563.00
FD-202, 3, 4-M8-9	16	8" Sq.	2, 3, 4"	NB hinged	729.00

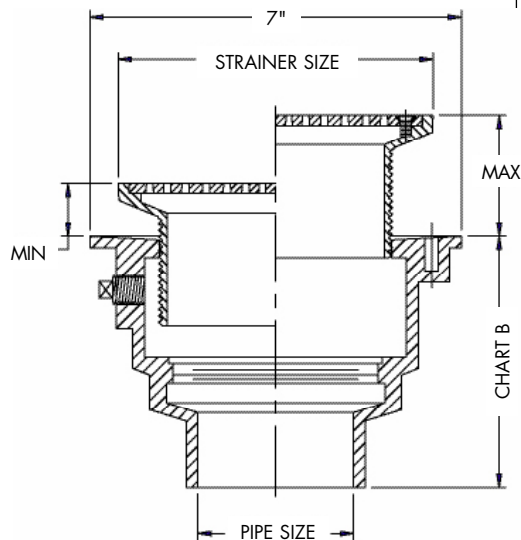


Chart A

Strainer	Min.	Max.
5"x5"	1-1/2"	2-5/16"
6"x6"	1-1/2"	2-5/16"
8"x8"	1-1/2"	2-3/4"

Chart B

Pipe Size	NH	Push-On	PVC/ABS
2"	4-3/4"	5-1/2"	4"
3"	4-3/4"	5-1/2"	4"
4"	4-3/4"	5-1/2"	4"

### Options for FD-200 Series:

Suffix	Description	List Price	Suffix	Description	List Price
None	No Hub	No Add	-15	Strainer Extension (DD-50)	84.00
P	Push-On Outlet	No Add	-60	PVC Body w/Socket Outlet	No Add
-X	Inside Caulk	No Add	-61	ABS Body w/Socket Outlet	No Add
-5	Sediment Bucket	65.00	-F4-50	4" Round Cast Iron Funnel	107.00
-6	Vandal Proof	33.00	-F4-1	4" Round Nickel Bronze Funnel	256.00
-7	Trap Primer Tapping	NO ADD	-F6-1	6" Round Nickel Bronze Funnel	380.00
-8	Backwater Valve	148.00	-G-50	4x9" Oval Cast Iron Funnel	256.00
-13	Galvanized Body	119.00	-G-1	4x9" Oval Nickel Bronze Funnel	531.00

Consult factory for all applications outside of listed parameters.

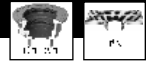
Prices do not include applicable taxes.



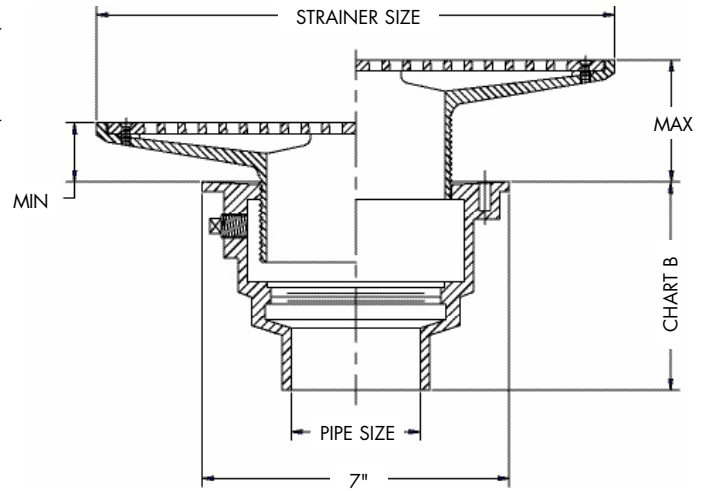
# On-Grade Finished Area Floor Drains

**FD-200-RS**

**Floor Drain with Rectangular Strainer**



Catalog Number	Wt., lbs.	Str. Size	Outlet Size	Strainer	List Price
FD-202, 3, 4-RS48	12	4" x 8"	2, 3, 4"	nickel bronze	\$572.00
FD-202, 3, 4-RS412	14	4" x 12"	2, 3, 4"	nickel bronze	800.00
FD-202, 3, 4-RS517	24	5" x 17"	2, 3, 4"	nickel bronze	857.00



**Chart A**

Strainer	Min.	Max.
4"x8"	1-1/2"	2-3/4"
4"x12"	1-1/2"	3"
5"x17"	1-1/2"	3-1/2"

**Chart B**

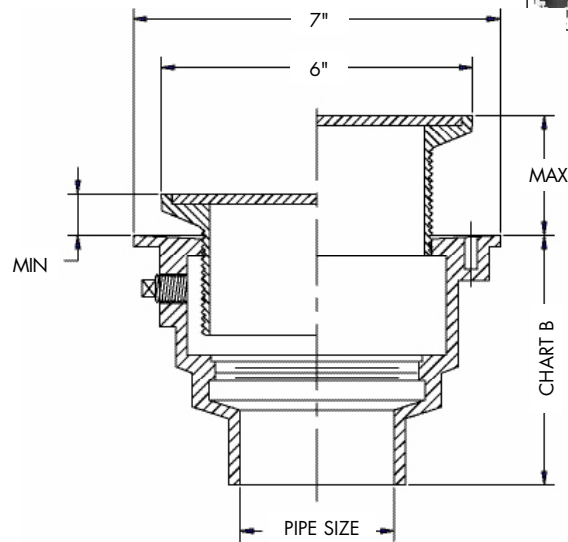
Pipe Size	NH	Push-On	PVC/ABS
2"	4-3/4"	5-1/2"	4"
3"	4-3/4"	5-1/2"	4"
4"	4-3/4"	5-1/2"	4"

**FD-200-VD**

**Floor Drain with Round Hinged Solid Cover**



Catalog Number	Wt., lbs.	Str. Size	Outlet Size	Strainer	List Price
FD-202, 3, 4-VD	15	6" cover	2, 3, 4"	nickel bronze	\$460.00



**Chart B**

Pipe Size	NH	Push-On	PVC/ABS
2"	4-3/4"	5-1/2"	4"
3"	4-3/4"	5-1/2"	4"
4"	4-3/4"	5-1/2"	4"

**Options for FD-200 Series:**

Suffix	Description	List Price	Suffix	Description	List Price
None	No Hub	No Add	-15	Strainer Extension (DD-50)	84.00
P	Push-On Outlet	No Add	-60	PVC Body w/Socket Outlet	No Add
-X	Inside Caulk	No Add	-61	ABS Body w/Socket Outlet	No Add
-5	Sediment Bucket	65.00	-F4-50	4" Round Cast Iron Funnel	107.00
-6	Vandal Proof	33.00	-F4-1	4" Round Nickel Bronze Funnel	256.00
-7	Trap Primer Tapping	NO ADD	-F6-1	6" Round Nickel Bronze Funnel	380.00
-8	Backwater Valve	148.00	-G-50	4x9" Oval Cast Iron Funnel	256.00
-13	Galvanized Body	119.00	-G-1	4x9" Oval Nickel Bronze Funnel	531.00



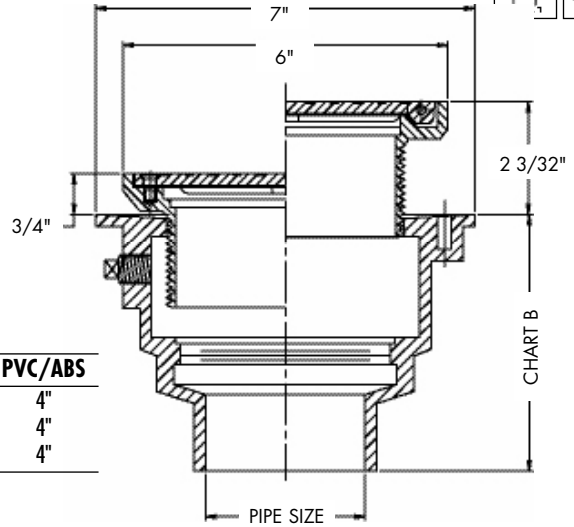
Consult factory for all applications outside of listed parameters.  
Prices do not include applicable taxes.

# On-Grade Finished Area Floor Drains

## FD-200-VS Floor Drain with Square Hinged Solid Cover



Catalog Number	Wt., lbs.	Str. Size	Outlet Size	Strainer	List Price
FD-202, 3, 4-VS	15	6" x 6"	2, 3, 4"	nickel bronze	\$684.00



**Chart B**

Pipe Size	NH	Push-On	PVC/ABS
2"	4-3/4"	5-1/2"	4"
3"	4-3/4"	5-1/2"	4"
4"	4-3/4"	5-1/2"	4"

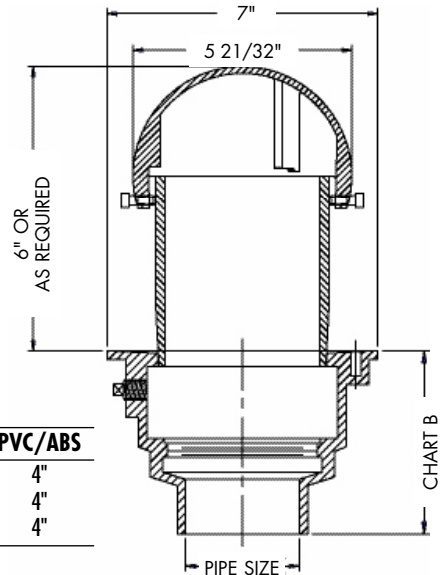
## FD-200-WD Floor Drain with Domed Standpipe



Catalog Number	Wt., lbs.	Strainer Type	Outlet Size	List Price
FD-202, 3, 4-WD	11	domed standpipe	2, 3, 4"	\$1117.00



**Note:** Domed Standpipe is chrome-plated.



**Chart B**

Pipe Size	NH	Push-On	PVC/ABS
2"	4-3/4"	5-1/2"	4"
3"	4-3/4"	5-1/2"	4"
4"	4-3/4"	5-1/2"	4"

### Options for FD-200 Series:

Suffix	Description	List Price	Suffix	Description	List Price
None	No Hub	No Add	-15	Strainer Extension (DD-50)	84.00
P	Push-On Outlet	No Add	-60	PVC Body w/Socket Outlet	No Add
-X	Inside Caulk	No Add	-61	ABS Body w/Socket Outlet	No Add
-5	Sediment Bucket	65.00	-F4-50	4" Round Cast Iron Funnel	107.00
-6	Vandal Proof	33.00	-F4-1	4" Round Nickel Bronze Funnel	256.00
-7	Trap Primer Tapping	NO ADD	-F6-1	6" Round Nickel Bronze Funnel	380.00
-8	Backwater Valve	148.00	-G-50	4x9" Oval Cast Iron Funnel	256.00
-13	Galvanized Body	119.00	-G-1	4x9" Oval Nickel Bronze Funnel	531.00

Consult factory for all applications outside of listed parameters.  
Prices do not include applicable taxes.





# On-Grade Finished Area Floor Drains

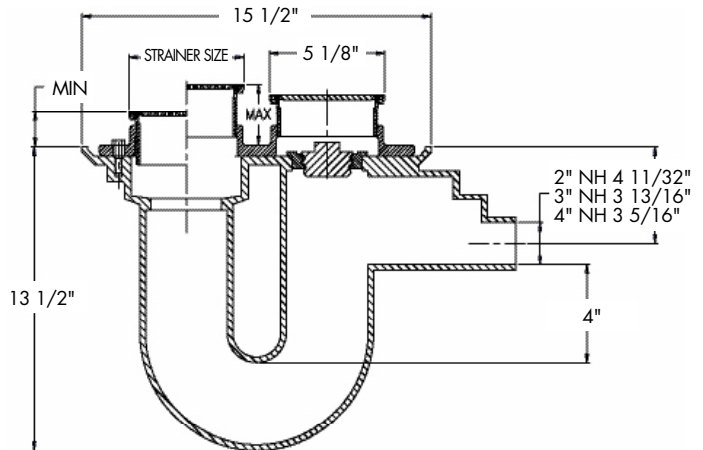
**FD-230-A**

**Combined Floor Drain/Cleanout with Integral Trap**

Catalog Number	Wt., lbs.	Str. Size	Outlet Size	Strainer	List Price
FD-232, 3, 4-A5	57	5"	2, 3, 4"	nickel bronze	\$860.00
FD-232, 3, 4-A6	58	6"	2, 3, 4"	nickel bronze	925.00
FD-232, 3, 4-A7	60	7"	2, 3, 4"	nickel bronze	979.00
FD-232, 3, 4-M5	60	5"	2, 3, 4"	nickel bronze	957.00
FD-232, 3, 4-M6	60	6"	2, 3, 4"	nickel bronze	972.00



No-Hub only



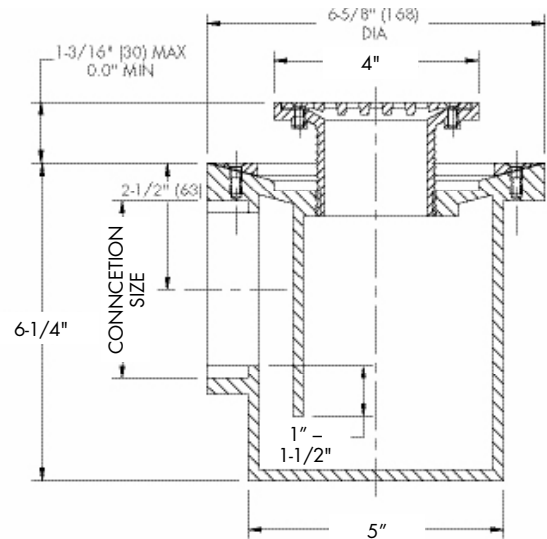
**Chart A**

Str. Dia.	Min.	Max.
5"	1-7/16"	2-1/4"
6"	1-9/16"	2-3/8"
7"	11/16"	3-1/4"
5"	7/8"	3-1/4"
6"	1"	3-1/4"

**FD-240**

**Prison Cell Floor Drain**

Catalog Number	Wt., lbs.	Strainer Size	Outlet Size	Strainer	List Price
FD-242	15	4"	2"	Nickel Bronze	\$611.00
FD-243	14	4"	3"	Nickel Bronze	678.00



**Option for FD-240 Series**

Suffix	Option	List Price
-CP	Chrome Plated Top	\$179.00

**Options for FD-230 Series:**

Suffix	Description	List Price	Suffix	Description	List Price
-5	Sediment Bucket	65.00	-15	Strainer Extension (DD-50)	84.00
-6	Vandal Proof	33.00	-F4-50	4" Round Cast Iron Funnel	107.00
-7	Trap Primer Tapping	90.00	-F4-1	4" Round Nickel Bronze Funnel	256.00
-8	Backwater Valve	148.00	-F6-1	6" Round Nickel Bronze Funnel	380.00
			-G-50	4x9" Oval Cast Iron Funnel	256.00
			-G-1	4x9" Oval Nickel Bronze Funnel	531.00



Consult factory for all applications outside of listed parameters.  
Prices do not include applicable taxes.

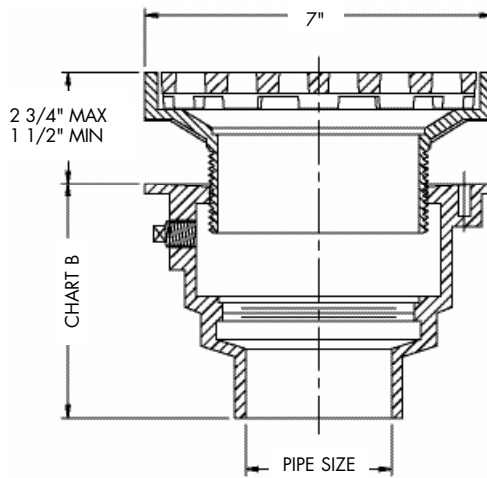
# Area Drains

**FD-300**

**Area Drain with 6-1/2" Adjustable Top**



Catalog Number	Wt., lbs.	Grate Size	Outlet Size	Grate	List Price
FD-302,3,4	13	6-1/2"	2,3,4"	ductile iron	\$285.00
FD-302,3,4,-1	18	6-1/2"	2,3,4"	nickel bronze	470.00



**Chart B**

Pipe Size	NH	Push-On	PVC/ABS
2"	4-3/4"	5-1/2"	4"
3"	4-3/4"	5-1/2"	4"
4"	4-3/4"	5-1/2"	4"

**Options for FD-300 Series**

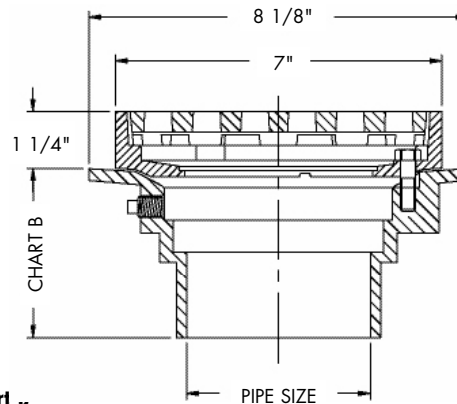
Suffix	Option	List Price
-C	Membrane Clamp	\$81.00

**FD-310**

**Area Drain with 6-1/2" Fixed Top**



Catalog Number	Wt., lbs.	Grate Size	Outlet Size	Grate	List Price
FD-312,3,4	13	6-1/2"	2,3,4"	ductile iron	\$266.00
FD-312,3,4-1	18	6-1/2"	2,3,4"	nickel bronze	451.00



**Chart A**

Pipe Size	No Hub	Push On	Female Thread	Inside Caulk	PVC/ABS
2"	3-5/8"	3-5/8"	4-1/4"	4-1/4"	2-3/4"
3"	3-5/8"	4"	4-1/4"	4-1/4"	3-5/8"
4"	3-5/8"	4"	4-1/4"	4-1/4"	3-7/8"
6"	3-1/2"				

**Options for FD-300, 310, 320, 330 Series:**

Suffix	Description	List Price
None	No Hub	No Add
P	Push-On	No Add
T	Threaded Outlet	47.00
X	Inside Caulk Outlet	No Add
None	6" Outlet – No Hub Only	73.00
-5	Sediment Bucket	84.00
-6	Vandal Proof	89.00
-7	Trap Primer Tapping	No Add
-8	Backwater Valve (2, 3, 4" only)	148.00
-13	All Galvanized	231.00
-21	Secondary Strainer	40.00

Suffix	Description	List Price
-34	Closure Plug	72.00
-60	PVC Body w/Socket Outlet (2, 3, 4" only)	No Add
-61	ABS Body w/Socket Outlet (2, 3, 4" only)	No Add
-F4-50	4" Round Cast Iron Funnel	107.00
-F4-1	4" Round Nickel Bronze Funnel	256.00
-F6-1	6" Round Nickel Bronze Funnel	380.00
G-50	4 x 9" Oval Cast Iron Funnel	256.00
G-1	4 x 9" Oval Nickel Bronze Funnel	531.00
-S0	Side Outlet (2, 3, 4" only)	132.00
-Z	Elastomeric Flange	292.00

Consult factory for all applications outside of listed parameters.  
Prices do not include applicable taxes.





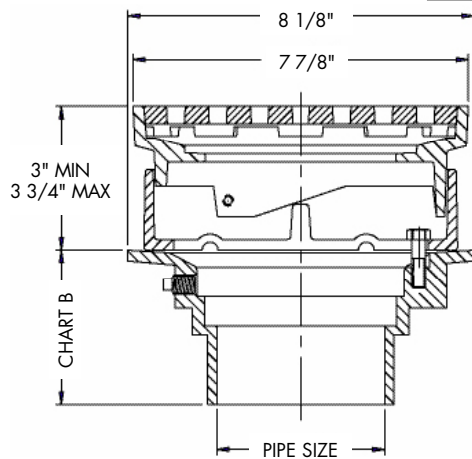
# Area Drains

**FD-320**

**Area Drain with 8" Adjustable Top**



Catalog Number	Wt., Lbs.	Grate Size	Outlet Size	Grate	List Price
FD-322,3,4	19	8"	2,3,4"	ductile iron	\$428.00
FD-322,3,4-1	20	8"	2,3,4"	nickel bronze	735.00



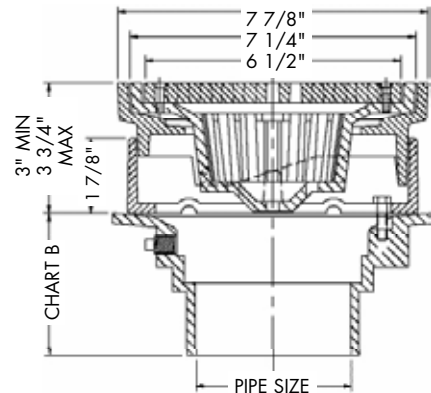
**Chart B**

Pipe Size	No Hub	Push On	Female Thread	Inside Caulk	PVC/ABS
2"	3-5/8"	3-5/8"	4-1/4"	4-1/4"	2-3/4"
3"	3-5/8"	4"	4-1/4"	4-1/4"	3-5/8"
4"	3-5/8"	4"	4-1/4"	4-1/4"	3-7/8"
6"	3-1/2"				

**FD-320-SET**

**Area Drain with 8" Adjustable Top, Grate Supported by Bucket**

Catalog Number	Wt., Lbs.	Grate Size	Outlet Size	Grate	List Price
FD-322,3,4-SET	19	8"	2,3,4"	ductile iron	\$483.00



**Chart B**

Pipe Size	No Hub	Push On	Female Thread	Inside Caulk	PVC/ABS
2"	3-5/8"	3-5/8"	4-1/4"	4-1/4"	2-3/4"
3"	3-5/8"	4"	4-1/4"	4-1/4"	3-5/8"
4"	3-5/8"	4"	4-1/4"	4-1/4"	3-7/8"
6"	3-1/2"				

**Options for FD-300, 310, 320, 330 Series:**

Suffix	Description	List Price
None	No Hub	No Add
P	Push-On	No Add
T	Threaded Outlet	47.00
X	Inside Caulk Outlet	No Add
None	6" Outlet - No Hub Only	73.00
-5	Sediment Bucket	84.00
-6	Vandal Proof	89.00
-7	Trap Primer Tapping	No Add
-8	Backwater Valve (2, 3, 4" only)	148.00
-13	All Galvanized	231.00
-21	Secondary Strainer	40.00

Suffix	Description	List Price
-34	Closure Plug	72.00
-60	PVC Body w/Socket Outlet (2, 3, 4" only)	No Add
-61	ABS Body w/Socket Outlet (2, 3, 4" only)	No Add
-F4-50	4" Round Cast Iron Funnel	107.00
-F4-1	4" Round Nickel Bronze Funnel	256.00
-F6-1	6" Round Nickel Bronze Funnel	380.00
G-50	4 x 9" Oval Cast Iron Funnel	256.00
G-1	4 x 9" Oval Nickel Bronze Funnel	531.00
-50	Side Outlet (2, 3, 4" only)	132.00
-Z	Elastomeric Flange	292.00



Consult factory for all applications outside of listed parameters. Prices do not include applicable taxes.

# Area Drains

## FD-320-Y

### Area Drain with 8" Fixed Top

Catalog Number	Wt., Lbs.	Grate Size	Outlet Size	Grate	List Price
FD-322,3,4-Y	19	8"	2,3,4"	ductile iron	\$307.00
FD-322,3,4-Y-1	20	8"	2,3,4"	nickel bronze	614.00

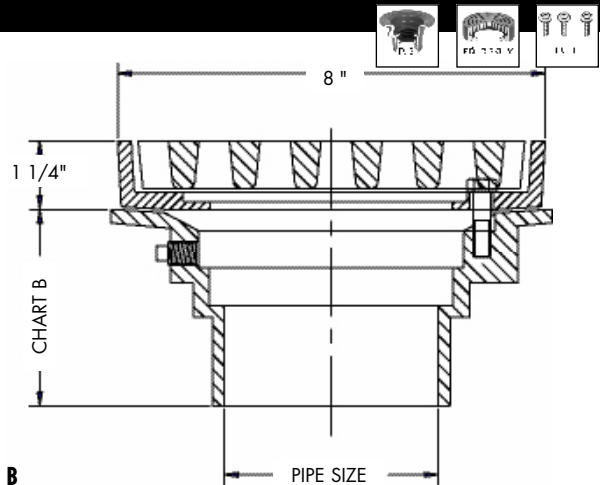


Chart B

Pipe Size	No Hub	Push On	Female Thread	Inside Caulk	PVC/ABS
2"	3-5/8"	3-5/8"	4-1/4"	4-1/4"	2-3/4"
3"	3-5/8"	4"	4-1/4"	4-1/4"	3-5/8"
4"	3-5/8"	4"	4-1/4"	4-1/4"	3-7/8"
6"	3-1/2"				

### Options for FD-320-Y Series

Suffix	Option	List Price
-28	All Type 304 Stainless Steel	\$595.00
-5SS	Type 304 Stainless Steel Sediment Bucket	208.00

## FD-320-Y-SET

### Area Drain with 8" Fixed Top, Grate Supported by Bucket

Catalog Number	Wt., Lbs.	Grate Size	Outlet Size	Grate	List Price
FD-322,3,4-Y-SET	19	8"	2,3,4"	ductile iron	\$362.00

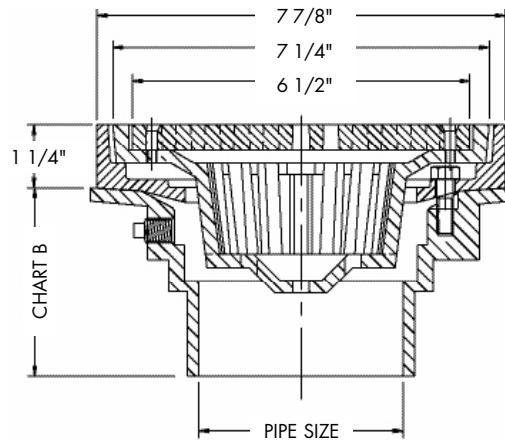


Chart B

Pipe Size	No Hub	Push On	Female Thread	Inside Caulk	PVC/ABS
2"	3-5/8"	3-5/8"	4-1/4"	4-1/4"	2-3/4"
3"	3-5/8"	4"	4-1/4"	4-1/4"	3-5/8"
4"	3-5/8"	4"	4-1/4"	4-1/4"	3-7/8"
6"	3-1/2"				

### Options for FD-300, 310, 320, 330 Series:

Suffix	Description	List Price
None	No Hub	No Add
P	Push-On	No Add
T	Threaded Outlet	47.00
X	Inside Caulk Outlet	No Add
None	6" Outlet - No Hub Only	73.00
-5	Sediment Bucket	84.00
-6	Vandal Proof	89.00
-7	Trap Primer Tapping	No Add
-8	Backwater Valve (2, 3, 4" only)	148.00
-13	All Galvanized	231.00
-21	Secondary Strainer	40.00

Suffix	Description	List Price
-34	Closure Plug	72.00
-60	PVC Body w/Socket Outlet (2, 3, 4" only)	No Add
-61	ABS Body w/Socket Outlet (2, 3, 4" only)	No Add
-F4-50	4" Round Cast Iron Funnel	107.00
-F4-1	4" Round Nickel Bronze Funnel	256.00
-F6-1	6" Round Nickel Bronze Funnel	380.00
G-50	4 x 9" Oval Cast Iron Funnel	256.00
G-1	4 x 9" Oval Nickel Bronze Funnel	531.00
-S0	Side Outlet (2, 3, 4" only)	132.00
-Z	Elastomeric Flange	292.00

Consult factory for all applications outside of listed parameters.  
Prices do not include applicable taxes.



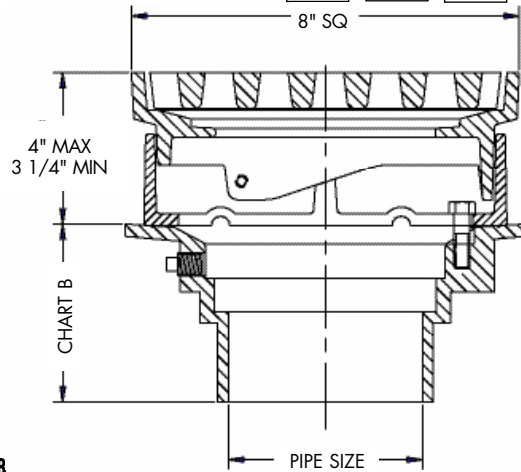
# Area Drains

## FD-330

### Area Drain with 8" x 8" Adjustable Top



Catalog Number	Wt., Lbs.	Grate Size	Outlet Size	Grate	List Price
FD-332,3,4	22	8" Sq.	2,3,4"	ductile iron	\$622.00
FD-332,3,4-1	23	8" Sq.	2,3,4"	nickel bronze	993.00



**Chart B**

Pipe Size	No Hub	Push On	Female Thread	Inside Caulk	PVC/ABS
2"	3-5/8"	3-5/8"	4-1/4"	4-1/4"	2-3/4"
3"	3-5/8"	4"	4-1/4"	4-1/4"	3-5/8"
4"	3-5/8"	4"	4-1/4"	4-1/4"	3-7/8"
6"	3-1/2"				

#### Options for FD-330 Series

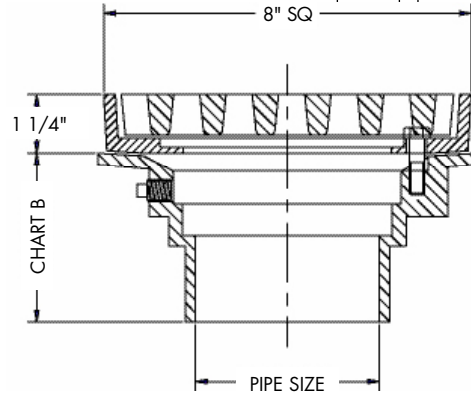
Suffix	Option	List Price
-9	Hinged Grate	\$157.00

## FD-330-Y

### Area Drain with 8" x 8" Fixed Top



Catalog Number	Wt., Lbs.	Grate Size	Outlet Size	Grate	List Price
FD-332,3,4-Y	22	8" Sq.	2,3,4"	ductile iron	\$501.00
FD-332,3,4-Y-1	23	8" Sq.	2,3,4"	nickel bronze	872.00



**Chart B**

Pipe Size	No Hub	Push On	Female Thread	Inside Caulk	PVC/ABS
2"	3-5/8"	3-5/8"	4-1/4"	4-1/4"	2-3/4"
3"	3-5/8"	4"	4-1/4"	4-1/4"	3-5/8"
4"	3-5/8"	4"	4-1/4"	4-1/4"	3-7/8"
6"	3-1/2"				

#### Options for FD-330-Y Series

Suffix	Option	List Price
-9	Hinged Grate	\$157.00

#### Options for FD-300, 310, 320, 330 Series:

Suffix	Description	List Price
None	No Hub	No Add
P	Push-On	No Add
T	Threaded Outlet	47.00
X	Inside Caulk Outlet	No Add
None	6" Outlet - No Hub Only	73.00
-5	Sediment Bucket	84.00
-6	Vandal Proof	89.00
-7	Trap Primer Tapping	No Add
-8	Backwater Valve (2, 3, 4" only)	148.00
-13	All Galvanized	231.00
-21	Secondary Strainer	40.00

Suffix	Description	List Price
-34	Closure Plug	72.00
-60	PVC Body w/Socket Outlet (2, 3, 4" only)	No Add
-61	ABS Body w/Socket Outlet (2, 3, 4" only)	No Add
-F4-50	4" Round Cast Iron Funnel	107.00
-F4-1	4" Round Nickel Bronze Funnel	256.00
-F6-1	6" Round Nickel Bronze Funnel	380.00
G-50	4 x 9" Oval Cast Iron Funnel	256.00
G-1	4 x 9" Oval Nickel Bronze Funnel	531.00
-50	Side Outlet (2, 3, 4" only)	132.00
-Z	Elastomeric Flange	292.00



Consult factory for all applications outside of listed parameters.  
Prices do not include applicable taxes.

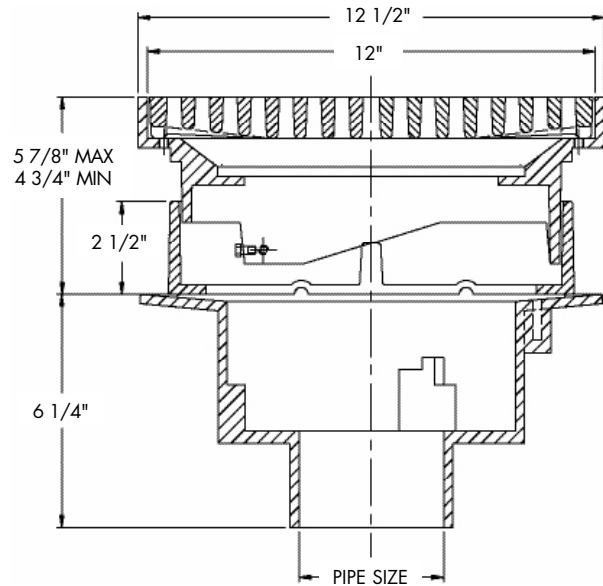
# Area Drains

**FD-340**

**Area Drain with 12" Round Adjustable Top**



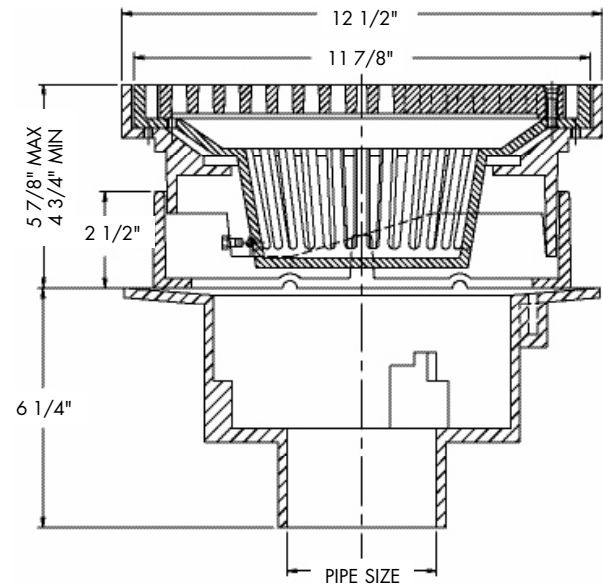
Catalog Number	Wt., Lbs.	Grate Size	Outlet Size	Grate	List Price
FD-342,3,4,5,6,8	62	12"	2,3,4,5,6,8"	ductile iron	\$894.00
FD-342,3,4,5,6,8-1	62	12"	2,3,4,5,6,8"	nickel bronze	1348.00



**FD-340-SET**

**Area Drain with 12" Round Adjustable Top, Grate Supported By Bucket**

Catalog Number	Wt., Lbs.	Grate Size	Outlet Size	Grate	List Price
FD-342,3,4,5,6,8-SET	62	12"	2,3,4,5,6,8"	ductile iron	\$1170.00



**Options for FD-340, FD-340-Y Series:**

Suffix	Description	List Price
None	No Hub	No Add
P	Push-On Outlet (2,3,4,6" Only)	No Add
T	Threaded Outlet (2,3,4,6" Only)	47.00
X	Inside Caulk Outlet (2,3,4,6" Only)	No Add
-5	Sediment Bucket	124.00
-6	Vandal Proof	89.00
-7	Trap Primer Tapping	90.00
-8	Backwater Valve (2,3,4" Only)	148.00
-13	All Galvanized	392.00
-21	Secondary Strainer	40.00

Suffix	Description	List Price
-34	Closure Plug	72.00
-60	PVC Body w/Socket Outlet (2, 3, 4, 6" only)	No Add
-61	ABS Body w/Socket Outlet (2, 3, 4" only)	No Add
-F4-50	4" Round Cast Iron Funnel	107.00
-F4-1	4" Round Nickel Bronze Funnel	256.00
-F6-1	6" Round Nickel Bronze Funnel	380.00
G-50	4 x 9" Oval Cast Iron Funnel	256.00
G-1	4 x 9" Oval Nickel Bronze Funnel	531.00
-S0	Side Outlet (2,3,4" Only)	205.00
-Z	Elastomeric Flange	586.00

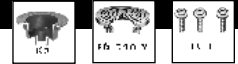
Consult factory for all applications outside of listed parameters.  
Prices do not include applicable taxes.



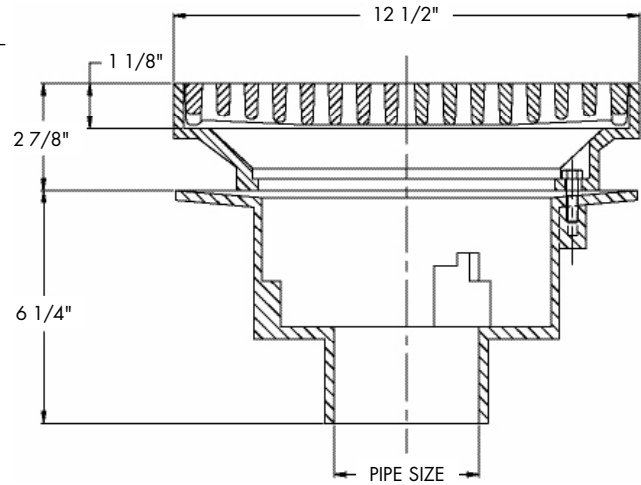
# Area Drains

**FD-340-Y**

**Area Drain with 12" Round Fixed Top**



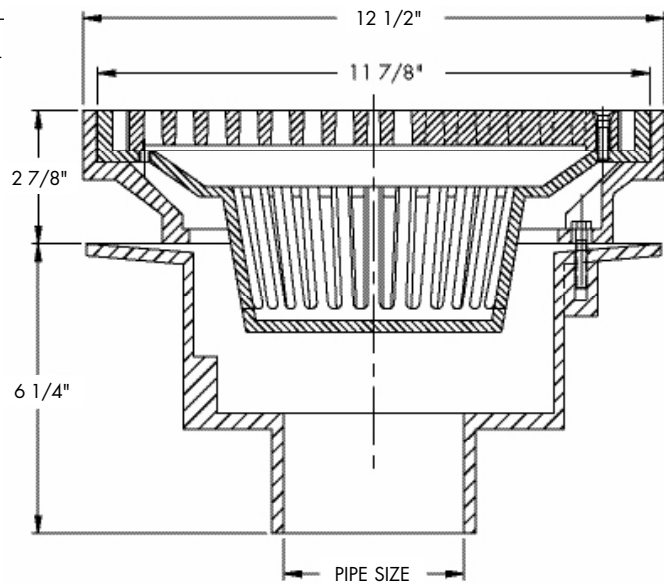
Catalog Number	Wt., Lbs.	Grate Size	Outlet Size	Grate	List Price
FD-342,3,4,5,6,8-Y	60	12"	2,3,4,5,6,8"	ductile iron	\$637.00
FD-342,3,4,5,6,8-Y-1	60	12"	2,3,4,5,6,8"	nickel bronze	1091.00



**FD-340-Y-SET**

**Area Drain with 12" Round Fixed Top Grate Supported By Bucket**

Catalog Number	Wt., Lbs.	Grate Size	Outlet Size	Grate	List Price
FD-342,3,4,5,6,8-Y-SET	60	12"	2,3,4,5,6,8"	ductile iron	\$913.00



## Options for FD-340, FD-340-Y Series:

Suffix	Description	List Price
None	No Hub	No Add
P	Push-On Outlet (2,3,4,6" Only)	No Add
T	Threaded Outlet (2,3,4,6" Only)	47.00
X	Inside Caulk Outlet (2,3,4,6" Only)	No Add
-5	Sediment Bucket	124.00
-6	Vandal Proof	89.00
-7	Trap Primer Tapping	90.00
-8	Backwater Valve (2,3,4" Only)	148.00
-13	All Galvanized	392.00
-21	Secondary Strainer	40.00

Suffix	Description	List Price
-34	Closure Plug	72.00
-60	PVC Body w/Socket Outlet (2, 3, 4, 6" only)	No Add
-61	ABS Body w/Socket Outlet (2, 3, 4" only)	No Add
-F4-50	4" Round Cast Iron Funnel	107.00
-F4-1	4" Round Nickel Bronze Funnel	256.00
-F6-1	6" Round Nickel Bronze Funnel	380.00
G-50	4 x 9" Oval Cast Iron Funnel	256.00
G-1	4 x 9" Oval Nickel Bronze Funnel	531.00
-S0	Side Outlet (2,3,4" Only)	205.00
-Z	Elastomeric Flange	586.00



Consult factory for all applications outside of listed parameters.  
Prices do not include applicable taxes.



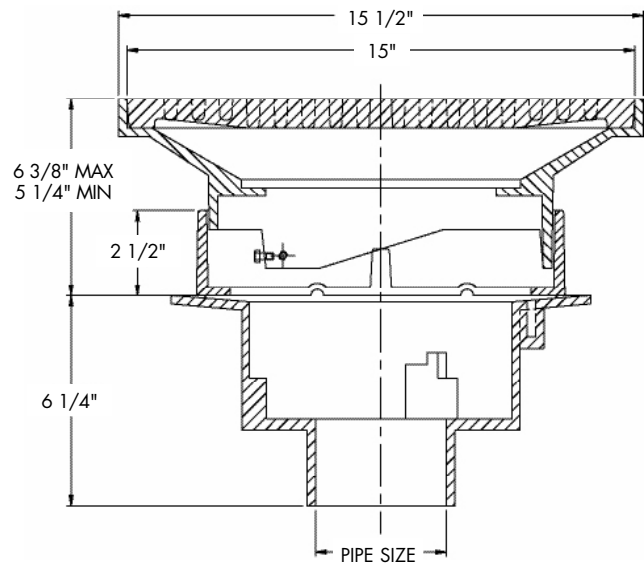
# Area Drain

**FD-360**

**Area Drain with 15" Round Adjustable Top**



Catalog Number	Wt., Lbs.	Grate Size	Outlet Size	Grate	List Price
FD-362,3,4,5,6,8	110	15"	2,3,4,5,6,8"	ductile iron	\$1909.00
FD-362,3,4,5,6,8-1	110	15"	2,3,4,5,6,8"	nickel bronze	2706.00

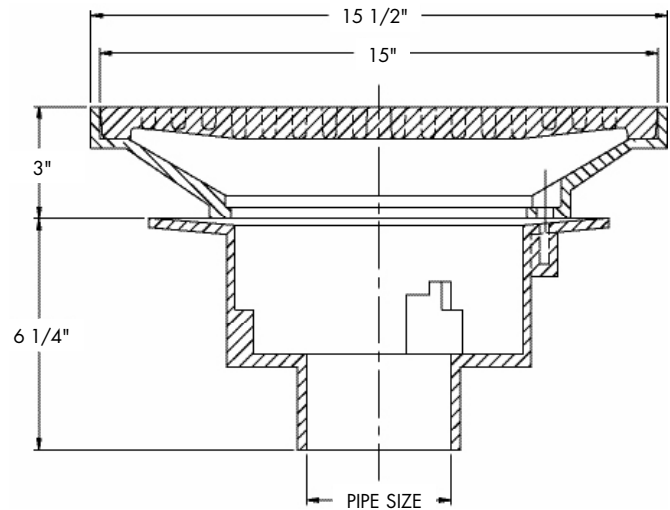


**FD-360-Y**

**Area Drain with 15" Round Fixed Top**



Catalog Number	Wt., Lbs.	Grate Size	Outlet Size	Grate	List Price
FD-362,3,4,5,6,8	110	15"	2,3,4,5,6,8"	ductile iron	\$1652.00
FD-362,3,4,5,6,8-1	110	15"	2,3,4,5,6,8"	nickel bronze	2449.00



## Options for FD-360, FD-360-Y Series:

Suffix	Description	List Price	Suffix	Description	List Price
None	No Hub	No Add	-34	Closure Plug	72.00
P	Push-On Outlet (2,3,4,6" Only)	No Add	-60	PVC Body w/Socket Outlet (2, 3, 4, 6" only)	No Add
T	Threaded Outlet (2,3,4,6" Only)	47.00	-61	ABS Body w/Socket Outlet (2, 3, 4" only)	No Add
X	Inside Caulk Outlet (2,3,4,6" Only)	No Add	-F4-50	4" Round Cast Iron Funnel	107.00
-5	Sediment Bucket	124.00	-F4-1	4" Round Nickel Bronze Funnel	256.00
-6	Vandal Proof	89.00	-F6-1	6" Round Nickel Bronze Funnel	380.00
-7	Trap Primer Tapping	90.00	G-50	4 x 9" Oval Cast Iron Funnel	256.00
-8	Backwater Valve (2,3,4" Only)	148.00	G-1	4 x 9" Oval Nickel Bronze Funnel	531.00
-13	All Galvanized	637.00	-S0	Side Outlet (2,3,4" Only)	205.00
-21	Secondary Strainer	40.00	-Z	Elastomeric Flange	586.00

Consult factory for all applications outside of listed parameters.  
Prices do not include applicable taxes.

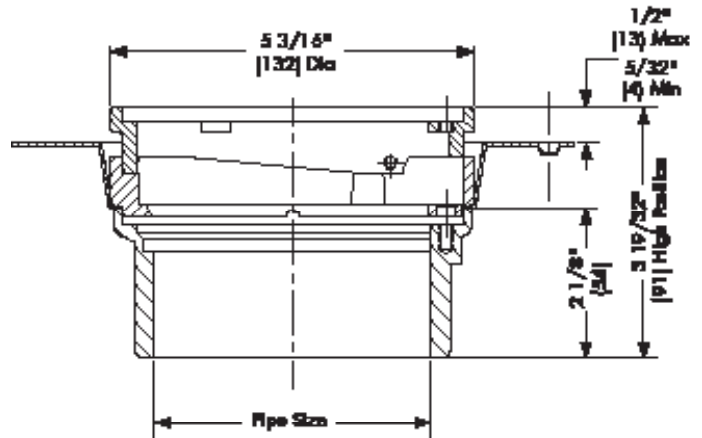


# Area Drains

**FD-380**

**Adjustable Wood Floor Drain**

Catalog Number	Wt., Lbs.	Grate Size	Outlet Size	Grate	List Price
FD-382,3,4	7	5"	2,3,4"	nickel bronze	\$366.00



### Options for FD-380 Series:

Suffix	Description	List Price	Suffix	Description	List Price
None	No Hub	No Add	-G-50	4 x 9" Oval Cast Iron Funnel	256.00
-6	Vandal Proof	33.00	-G-1	4 x 9" Oval Nickel Bronze Funnel	531.00
-E	5/16" Stackable Strainer Extension	49.00	-60	PVC Body w/Socket Outlet (2, 3, 4, 6" only)	No Add
-F4-50	4" Round Cast Iron Funnel	107.00	-61	ABS Body w/Socket Outlet (2, 3, 4" only)	No Add
-F4-1	4" Round Nickel Bronze Funnel	256.00			
-F6-1	6" Round Nickel Bronze Funnel	380.00			

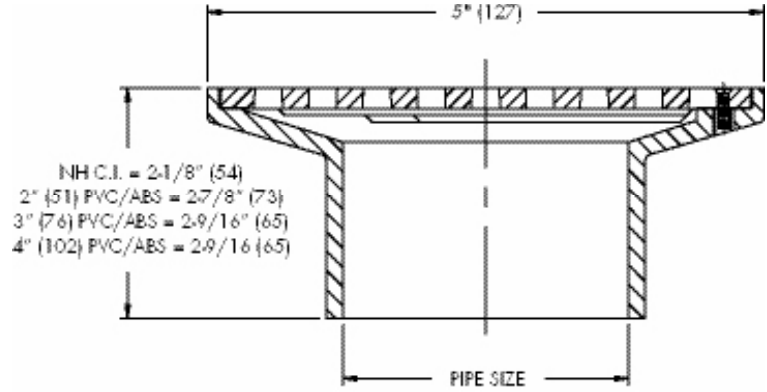


Consult factory for all applications outside of listed parameters.  
Prices do not include applicable taxes.

# General Purpose Floor Drains

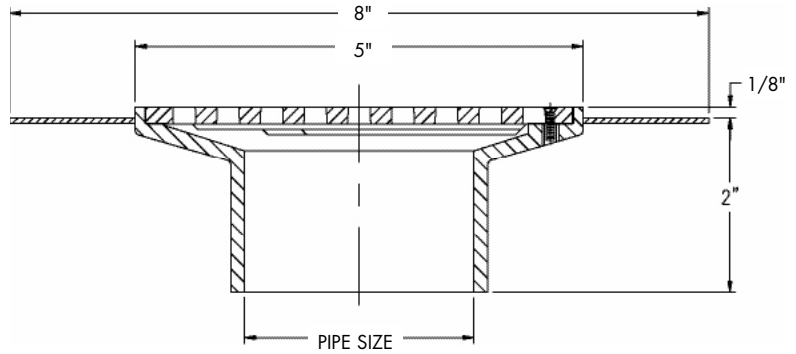
## FD-390-E General Purpose Floor Drain

Catalog Number	Wt., Lbs.	Grate Size	Outlet Size	Grate	List Price
FD-392,3,4-E	5	5"	2,3,4"	ductile iron	\$104.00
FD-392,3,4-E-1	5	5"	2,3,4"	nickel bronze	140.00



## FD-390-E-63 Floor Drain for Wooden Floors

Catalog Number	Wt., Lbs.	Grate Size	Outlet Size	Grate	List Price
FD-392,3,4-E-63	7	5"	2,3,4"	nickel bronze	\$270.00



## Options for FD-380, FD-390-E, FD-390-E-63 Series

Suffix	Option	List Price
None	No Hub	No Add
-60	PVC Body w/Socket Outlet	No Add
-61	ABS Body w/Socket Outlet	No Add
-6	Vandal Proof	33.00

Suffix	Option	List Price
-F4-50	4" Round Cast Iron Funnel	107.00
-F4-1	4" Round Nickel Bronze Funnel	256.00
-F6-1	6" Round Nickel Bronze Funnel	380.00
G-50	4 x 9" Oval Cast Iron Funnel	256.00
G-1	4 x 9" Oval Nickel Bronze Funnel	531.00

Consult factory for all applications outside of listed parameters.  
 Prices do not include applicable taxes.



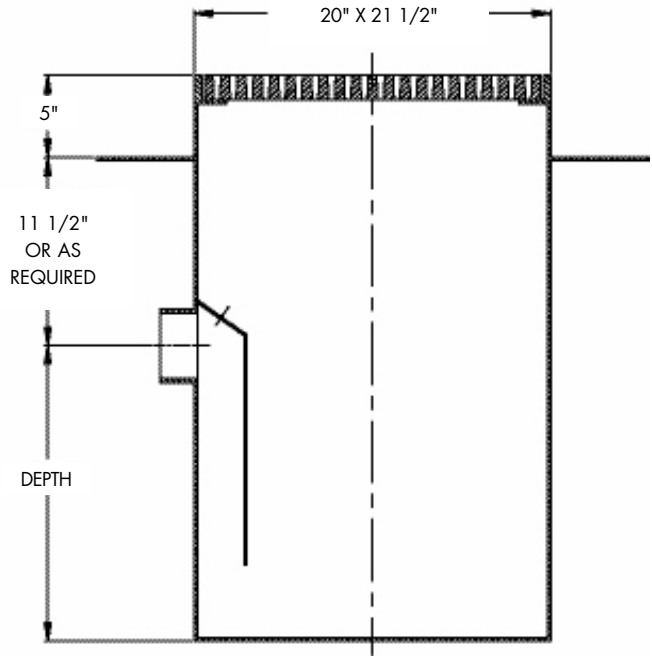


# Parking Area Drains

**FD-410**

**Parking Area Catch Basin with Heavy Duty Grate**

Catalog Number	Wt., Lbs.	Grate Size	Outlet Size	Grate	List Price
FD-413,4,6 (A,B,C,D,E)	800	20 x 20-1/2"	3,4,6"	cast iron	\$6056.00



## Options for FD-410 Series

Suffix	Option	List Price
-Q	Special Dimension	P.O.A.
-6	Vandal Proof	111.00
-T	Threaded Outlet	160.00

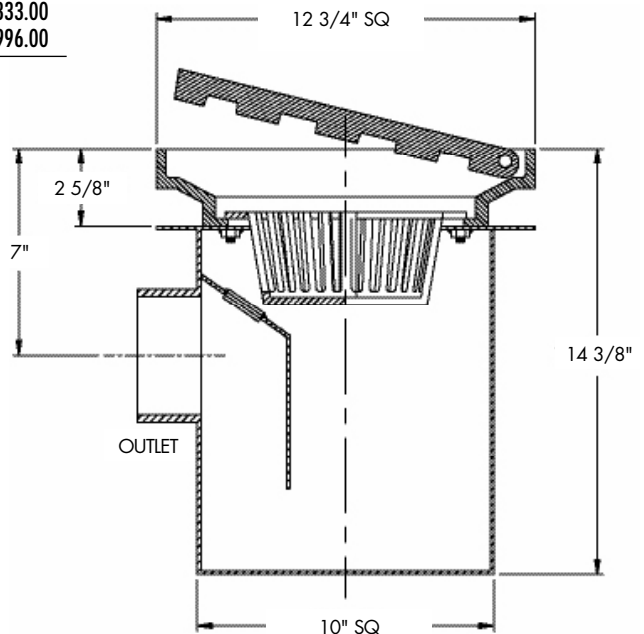
Catalog Number	Pipe Size	Depth				
		(A)	(B)	(C)	(D)	(E)
FD-410-(A,B,C,D or E)	3,4,6"	18"	24"	30"	36"	Special

# Area Drains

**FD-430**

**Side Outlet Area Drain with Hinged Grate**

Catalog Number	Wt., Lbs.	Grate Size	Outlet Size	Grate	List Price
FD-432,3,4	63	12-1/2" square	2,3,4"	ductile iron	\$1333.00
FD-432,3,4-1	63	12-1/2" square	2,3,4"	nickel bronze	1996.00



## Options for FD-430 Series

Suffix	Option	List Price
T	Threaded Outlet	111.00
-6	Vandal Proof Grate	89.00



Consult factory for all applications outside of listed parameters.  
Prices do not include applicable taxes.

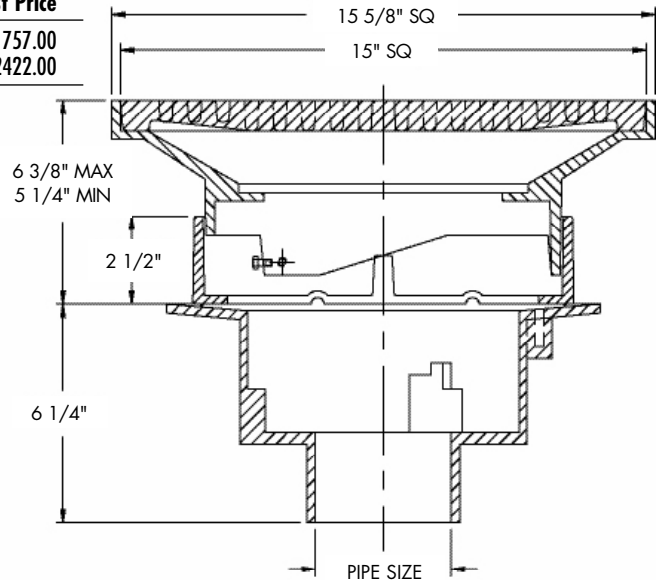
# Area Drains

## FD-450

### Area Drain with 15" x 15" Adjustable Top



Catalog Number	Wt., Lbs.	Grate Size	Outlet Size	Grate	List Price
FD-452,3,4,5,6,8	120	15-1/2" square	2,3,4,5,6,8"	ductile iron	\$1757.00
FD-452,3,4,5,6,8-1	120	15-1/2" square	2,3,4,5,6,8"	nickel bronze	2422.00

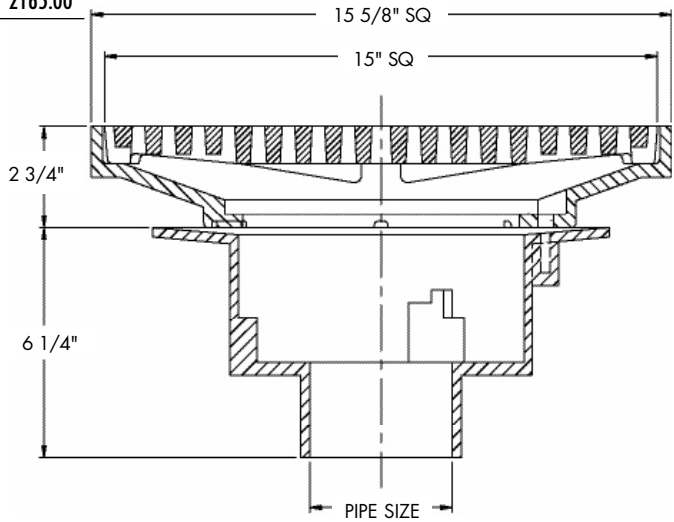


## FD-450-F

### Area Drain with 15" x 15" Fixed Top



Catalog Number	Wt., Lbs.	Grate Size	Outlet Size	Grate	List Price
FD-452,3,4,5,6, 8	120	15-1/2" square	2,3,4,5,6, 8"	ductile iron	\$ 1500.00
FD-452,3,4,5,6, 8-1	120	15-1/2" square	2,3,4,5,6,8"	nickel bronze	2165.00



### Options for FD-450, FD-450-F Series:

Suffix	Description	List Price	Suffix	Description	List Price
None	No Hub	No Add	-34	Closure Plug	72.00
P	Push-On Outlet (2,3,4,6" Only)	No Add	-60	PVC Body w/Socket Outlet (2, 3, 4, 6" only)	No Add
T	Threaded Outlet (2,3,4,6" Only)	47.00	-61	ABS Body w/Socket Outlet (2, 3, 4" only)	No Add
X	Inside Caulk Outlet (2,3,4,6" Only)	No Add	-F4-50	4" Round Cast Iron Funnel	107.00
-5	Sediment Bucket	124.00	-F4-1	4" Round Nickel Bronze Funnel	256.00
-6	Vandal Proof	89.00	-F6-1	6" Round Nickel Bronze Funnel	380.00
-7	Trap Primer Tapping	90.00	G-50	4 x 9" Oval Cast Iron Funnel	256.00
-8	Backwater Valve (2,3,4" Only)	148.00	G-1	4 x 9" Oval Nickel Bronze Funnel	531.00
-9	Hinged Grate	166.00	-S0	Side Outlet (2,3,4" Only)	205.00
-13	All Galvanized	740.00	-Z	Elastomeric Flange	586.00
-21	Secondary Strainer	40.00			

Consult factory for all applications outside of listed parameters.  
Prices do not include applicable taxes.



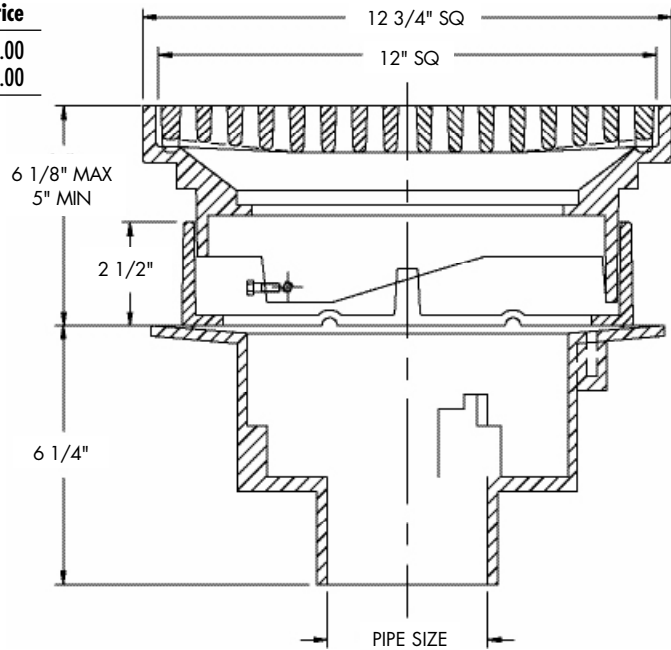
# Area Drains

**FD-460**

**Area Drain with 12" Square Adjustable Top**



Catalog Number	Wt., Lbs.	Grate Size	Outlet Size	Grate	List Price
FD-462,3,4,5,6,8	70	12-1/2 Sq."	2,3,4,5,6,8"	ductile iron	\$1163.00
FD-462,3,4,5,6,8-1	70	12-1/2 Sq."	2,3,4,5,6,8"	nickel bronze	1828.00

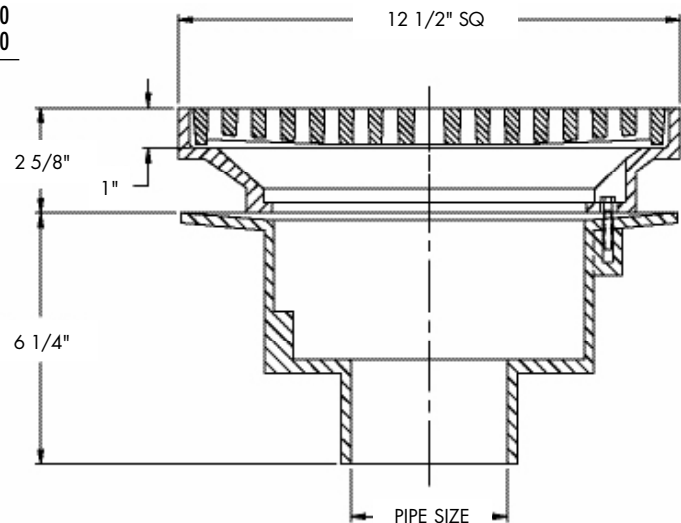


**FD-460-F**

**Area Drain with 12" Square Fixed Top**



Catalog Number	Wt., Lbs.	Grate Size	Outlet Size	Grate	List Price
FD-462,3,4,5,6,8-F	85	12-1/2 Sq."	2,3,4,5,6,8"	ductile iron	\$906.00
FD-462,3,4,5,6,8-F-1	85	12-1/2 Sq."	2,3,4,5,6,8"	nickel bronze	1571.00



## Options for FD-460, 460-F Series:

Suffix	Description	List Price	Suffix	Description	List Price
None	No Hub	No Add	-34	Closure Plug	72.00
P	Push-On Outlet (2,3,4,6" Only)	No Add	-60	PVC Body w/Socket Outlet (2, 3, 4, 6" only)	No Add
T	Threaded Outlet (2,3,4,6" Only)	47.00	-61	ABS Body w/Socket Outlet (2, 3, 4" only)	No Add
X	Inside Caulk Outlet (2,3,4,6" Only)	No Add	-F4-50	4" Round Cast Iron Funnel	107.00
-5	Sediment Bucket	124.00	-F4-1	4" Round Nickel Bronze Funnel	256.00
-6	Vandal Proof	89.00	-F6-1	6" Round Nickel Bronze Funnel	380.00
-7	Trap Primer Tapping	90.00	G-50	4 x 9" Oval Cast Iron Funnel	256.00
-8	Backwater Valve (2,3,4" Only)	148.00	G-1	4 x 9" Oval Nickel Bronze Funnel	531.00
-9	Hinged Grate	166.00	-S0	Side Outlet (2,3,4" Only)	205.00
-13	All Galvanized	540.00	-Z	Elastomeric Flange	586.00
-21	Secondary Strainer	40.00			



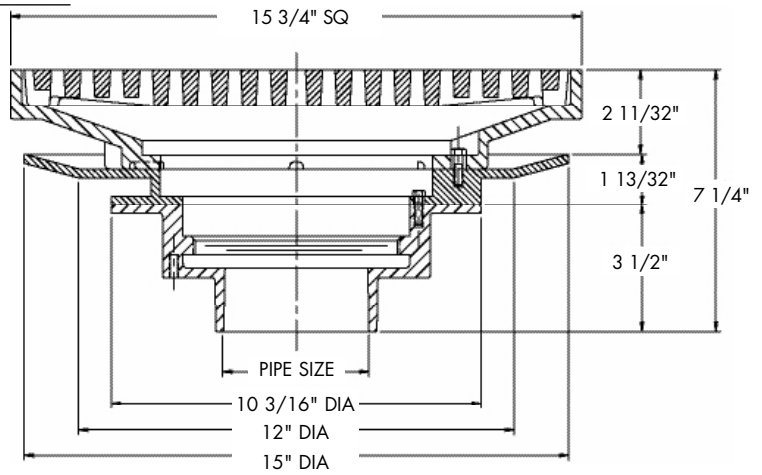
Consult factory for all applications outside of listed parameters.  
Prices do not include applicable taxes.

# Area Drains

**FD-470-F-1**

**15" x 15" Shallow Body Promenade Drain**

Catalog Number	Wt., Lbs.	Grate Size	Outlet Size	Grate	List Price
FD-472,3,4,6,-F-1	90	15-1/2 Sq."	2,3,4,6"	nickel bronze	\$2013.00



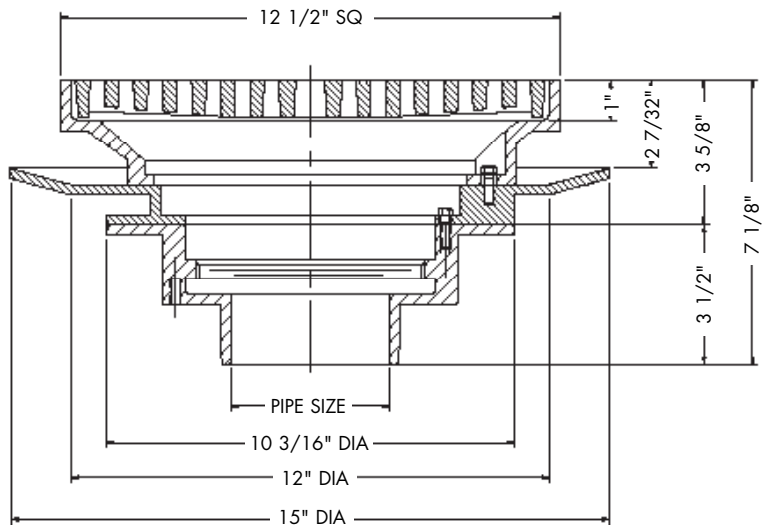
### Options for FD-470-F-1 Series

Suffix	Option	List Price
-5	Sediment Bucket	\$124.00
-6	Vandal Proof	89.00
-E	Slotted Extension (Per 3/4")	146.00

**FD-480-F-1**

**12" x 12" Shallow Body Promenade Drain**

Catalog Number	Wt., Lbs.	Grate Size	Outlet Size	Grate	List Price
FD-482,3,4,6,-F-1	81	12 Sq."	2,3,4,6"	nickel bronze	\$1406.00



### Options for FD-480-F-1 Series

Suffix	Option	List Price
-5	Sediment Bucket	\$124.00
-6	Vandal Proof	89.00
-E	Slotted Extension (Per 3/4")	146.00

Consult factory for all applications outside of listed parameters.  
Prices do not include applicable taxes.

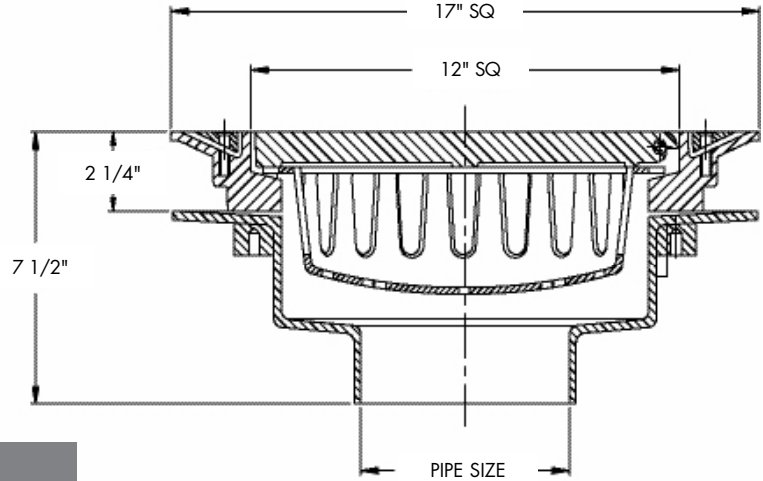


# Parking Area Drains

**FD-490-F-4**

**Cast Iron Parking Area Structure Drain with Heavy Duty Grate and Bucket**

Catalog Number	Wt., Lbs.	Grate Size	Outlet Size	Grate	List Price
FD-493,4,5,6,8,10-F-4	112	12" square	3,4,5,6,8,10"	ductile iron	\$2339.00



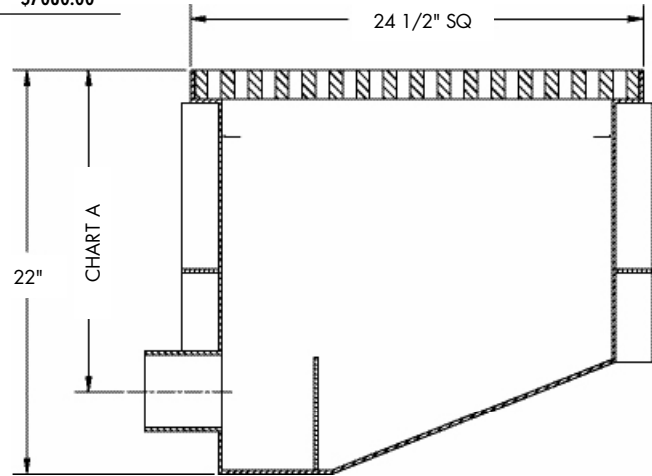
**Option for FD-490 Series:**

Suffix	Description	List Price
-6	Vandal Proof	104.00
-TE	Top Extension	459.00

**FD-520**

**Large Capacity Side Outlet Parking Area Drain**

Catalog Number	Wt., Lbs.	Grate Size	Outlet Size	Grate	List Price
FD-524,6,8	400	24" square	4,6,8" NH	ductile iron	\$7060.00



**Options for FD-520 Series**

Suffix	Option	List Price
-C	Membrane Clamp	666.00
-T	Threaded Outlet	111.00
-5	Sediment Bucket	516.00
-6	Vandal Proof Grate	276.00
-38	Solids Retaining Baffle	350.00

**Chart A**

Outlet Size	Top to Center of Outlet
4", 6" 8"	16-1/2" 11-1/2"



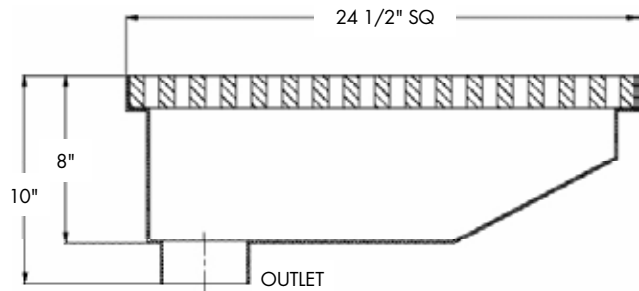
Consult factory for all applications outside of listed parameters.  
Prices do not include applicable taxes.

# Parking Area Drains

**FD-530**

**Large Capacity Bottom Outlet Offset Parking Area Drain**

Catalog Number	Wt., Lbs.	Grate Size	Outlet Size	Grate	List Price
FD-533,4,6,8	400	24" square	3,4,6,8" NH	ductile iron	\$7420.00



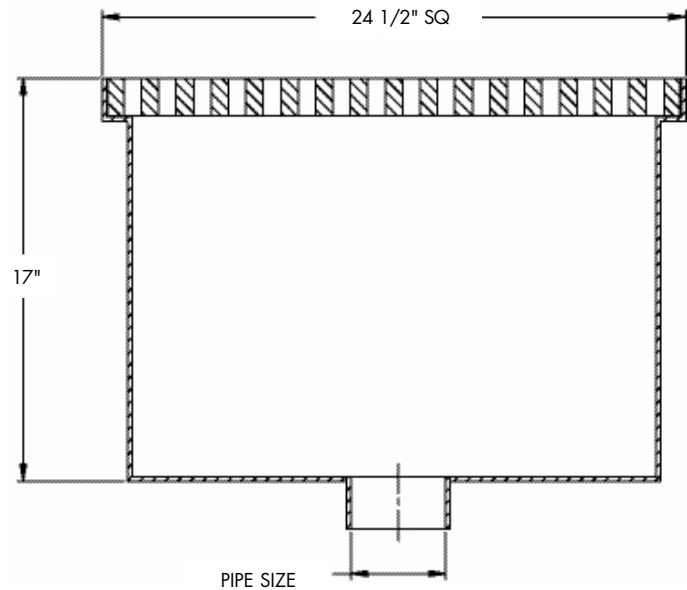
## Options for FD-530 Series

Suffix	Option	List Price
-C	Membrane Clamp	666.00
T	Threaded Outlet	111.00
-5	Sediment Bucket	516.00
-6	Vandal Proof Grate	276.00
-38	Solids Retaining Baffle	350.00

**FD-540**

**Large Capacity Bottom Outlet Parking Area Drain**

Catalog Number	Wt., Lbs.	Grate Size	Outlet Size	Grate	List Price
FD-543,4,6,8	400	24" square	3,4,6,8" NH	ductile iron	\$5140.00



## Options for FD-530 Series

Suffix	Option	List Price
-C	Membrane Clamp	666.00
T	Threaded Outlet	111.00
-5	Sediment Bucket	516.00
-6	Vandal Proof Grate	276.00
-38	Solids Retaining Baffle	350.00

Consult factory for all applications outside of listed parameters.  
Prices do not include applicable taxes.

**WATTS®**

# Isolation Drains

## FD-600

### Isolation Floor Drain

Catalog Number	Wt., lbs.	Str. Size	Pipe Size	Strainer	List Price
FD-602, 3, 4-A5	17	5"	2, 3, 4"	nickel bronze	\$805.00
FD-602, 3, 4-A6	17.5	6"	2, 3, 4"	nickel bronze	871.00
FD-602, 3, 4-A8	23	8"	2, 3, 4"	nickel bronze	1029.00

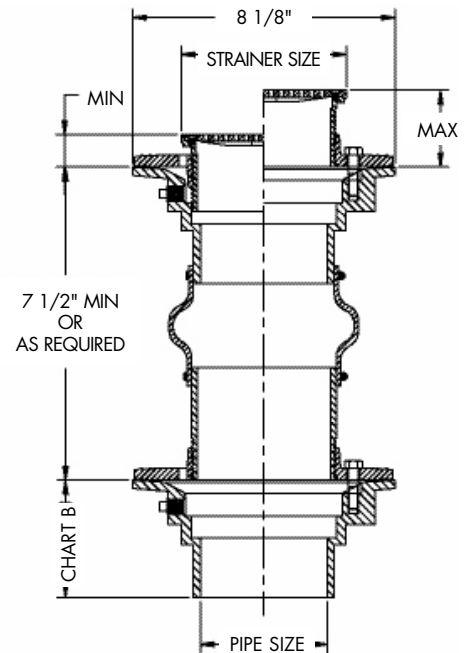


Chart A

Str. Dia.	Min.	Max.
5"	13/16"	3-1/4"
6"	7/8"	3-3/8"
8"	7/8"	3-3/4"

Chart B

Pipe Size	No Hub	Push-On	Female Thread	Inside Caulk	PVC/ABS
2"	3-5/8"	3-5/8"	4-1/4"	4-1/4"	3-3/4"
3"	3-5/8"	4"	4-1/4"	4-1/4"	3-5/8"
4"	3-5/8"	4"	4-1/4"	4-1/4"	3-7/8"

See FD-100 Options on page 5.

## FD-620

### Isolation Area Drain

Catalog Number	Wt., lbs.	Str. Size	Pipe Size	Strainer	List Price
FD-622, 3, 4	25	8"	2, 3, 4"	ductile iron	\$1025.00
FD-622, 3, 4-1	25	8"	2, 3, 4"	nickel bronze	1231.00

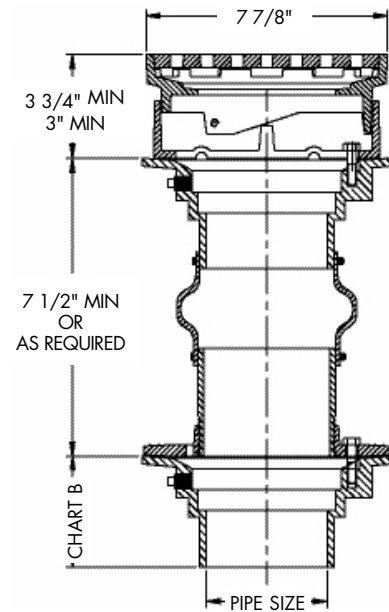


Chart B

Pipe Size	No Hub	Push-On	Female Thread	Inside Caulk	PVC/ABS
2"	3-5/8"	3-5/8"	4-1/4"	4-1/4"	3-3/4"
3"	3-5/8"	4"	4-1/4"	4-1/4"	3-5/8"
4"	3-5/8"	4"	4-1/4"	4-1/4"	3-7/8"

See FD-320 Options on page 22.



Consult factory for all applications outside of listed parameters.  
Prices do not include applicable taxes.

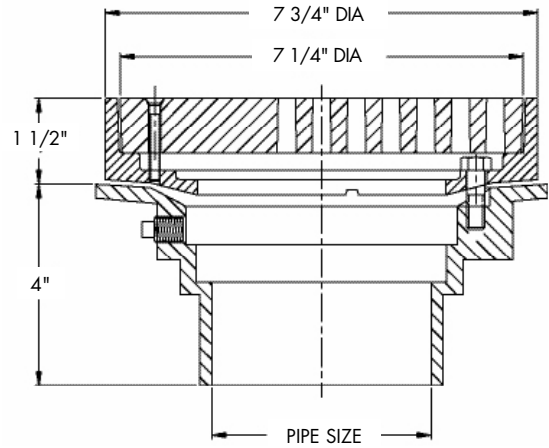


# Isolation Drains

**FD-660**

**PVC Area Drain with 7" Fixed Top**

Catalog Number	Wt., lbs.	Str. Size	Pipe Size	Strainer	List Price
FD-662, 3, 4	7	7"	2, 3, 4"	PCV	\$308.00



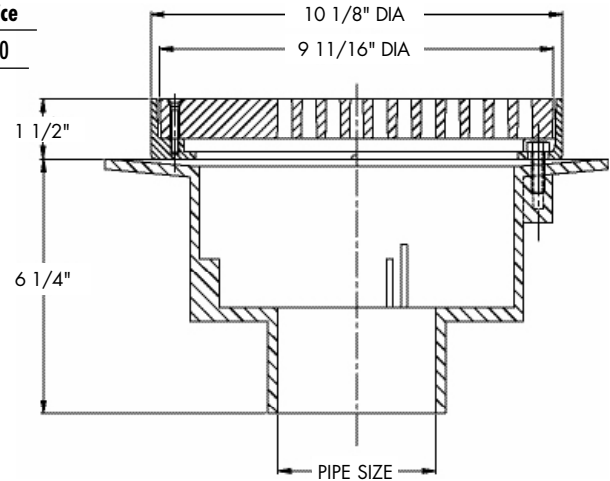
## Options for FD- 660 Series:

Suffix	Description	List Price	Suffix	Description	List Price
-5	Sediment Bucket	84.00	-61	ABS Body w/Socket Outlet (2, 3, 4" only)	No Add
-6	Vandal Proof	No Add	-150	1/2" Grate	No Add
-7	Trap Primer Tapping	No Add	-F4-50	4" Round CI Funnel	107.00
-8	Backwater Valve (2,3,4" Only)	148.00	-F4-1	4" Round NB Funnel	256.00
-34	Closure Plug	72.00	-F6-1	6" Round NB Funnel	380.00
			G-50	4 x 9" Oval CI Funnel	256.00
			G-1	4 x 9" Oval NB Funnel	531.00

**FD-670**

**PVC Area Drain with 10" Fixed Top**

Catalog Number	Wt., lbs.	Str. Size	Pipe Size	Strainer	List Price
FD-672, 3, 4	8	10"	2, 3, 4"	PVC	\$516.00



## Options for FD- 670 Series:

Suffix	Description	List Price	Suffix	Description	List Price
-5	Sediment Bucket	124.00	-150	1/2" Grate	No Add
-6	Vandal Proof	No Add	-F4-50	4" Round CI Funnel	107.00
-7	Trap Primer Tapping	No Add	-F4-1	4" Round NB Funnel	256.00
-8	Backwater Valve (2,3,4" Only)	148.00	-F6-1	6" Round NB Funnel	380.00
-26	Sand Bucket	146.00	G-50	4 x 9" Oval CI Funnel	256.00
-34	Closure Plug	72.00	G-1	4 x 9" Oval NB Funnel	531.00
-61	ABS Body w/Socket Outlet (2, 3, 4" only)	No Add			

Consult factory for all applications outside of listed parameters.  
Prices do not include applicable taxes.



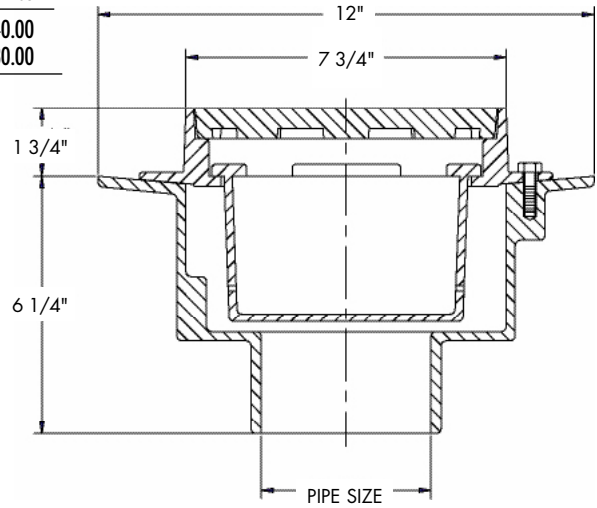


# Flushing Rim Floor Drains

**FD-810**

**Iowa Garage Drain**

Catalog Number	Wt., lbs.	Str. Size	Pipe Size	Strainer	List Price
FD-812, 3, 4, 5, 6, 8	14	8"	2, 3, 4, 5, 6, 8"	ductile iron	\$740.00
FD-812, 3, 4, 5, 6, 8-1	15	8"	2, 3, 4, 5, 6, 8"	nickel bronze	1080.00



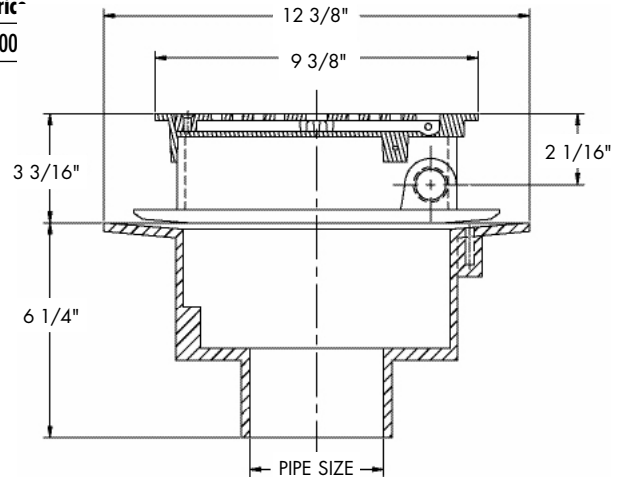
## Options for FD-810 Series

Suffix	Option	List Price
None	No Hub	No Add
P	Push-On Outlet (2,3,4,6" Only)	No Add
T	Threaded Outlet (2,3,4,6" Only)	47.00
X	Inside Caulk Outlet (2,3,4,6" Only)	No Add
-6	Vandal Proof	89.00
-7	Trap Primer Tapping	90.00
-60	PVC Body w/Socket Outlet (2,3,4,6" Only)	No Add
-61	ABS Body w/Socket Outlet (2,3,4" Only)	No Add

**FD-820**

**Flushing Rim Floor Drain**

Catalog Number	Wt., lbs.	Str. Size	Pipe Size	Strainer	List Price
FD-822, 3, 4	30	9-1/2"	2, 3, 4"	nickel bronze	\$1585.00



## Options for FD-820 Series

Suffix	Option	List Price
None	No Hub	No Add
P	Push-On Outlet (2,3,4,6" Only)	No Add
T	Threaded Outlet (2,3,4,6" Only)	47.00
X	Inside Caulk Outlet (2,3,4,6" Only)	No Add
-6	Vandal Proof	89.00
-G	Trap w/flushing connection	142.00



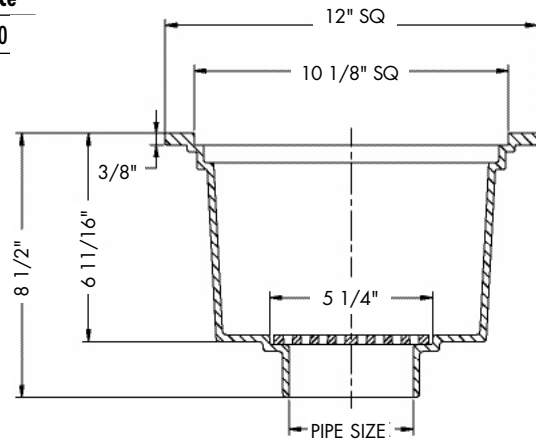
Consult factory for all applications outside of listed parameters.  
Prices do not include applicable taxes.

# Flushing Rim Floor Drains

**FD-830**

**Hopper Drain**

Catalog Number	Wt., lbs.	Str. Size	Pipe Size	Material	List Price
FD-832, 3, 4	27	5-1/4"	2, 3, 4"	cast iron	\$485.00



## Options for FD-830 Series

Suffix	Option	List Price
-1	Nickel Bronze Top	240.00
-7	Trap Primer Tapping	90.00
-TG	Top Grate - Ductile Iron	117.00
-5	Sediment Bucket	145.00

Consult factory for all applications outside of listed parameters.  
Prices do not include applicable taxes.



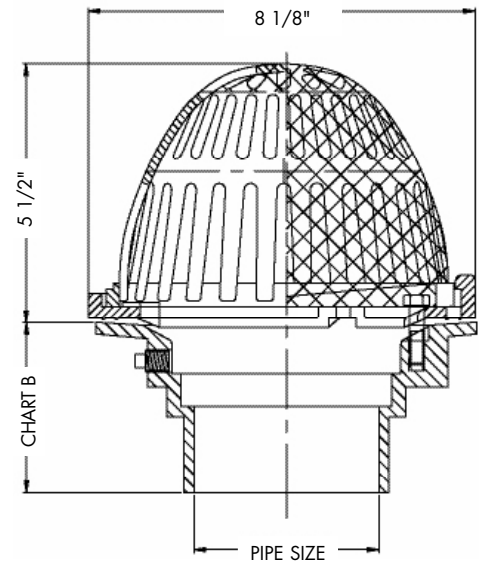
# Planter Area Floor Drains

**FD-860**

**Planting Area Drain with Screened Dome**



Catalog Number	Wt., lbs.	Str. Size	Pipe Size	Strainer	List Price
FD-862, 3, 4	25	8-1/2" Dome	2, 3, 4"	alum. w/SS mesh	\$564.00



**Chart B**

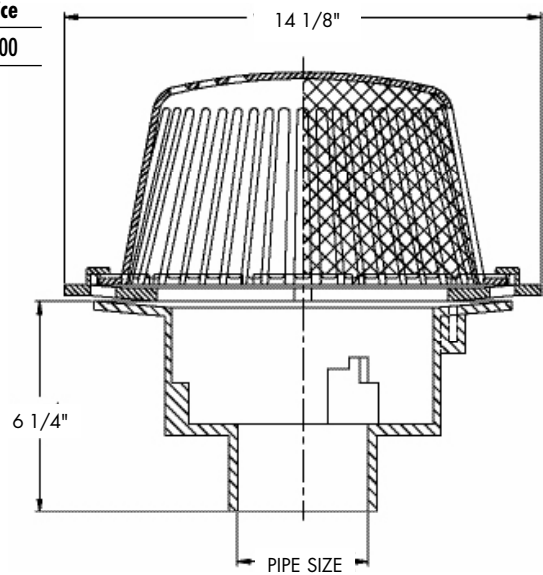
Pipe Size	No Hub	Push On	Female Thread	Inside Caulk	PVC/ABS
2"	3-5/8"	3-5/8"	4-1/4"	4-1/4"	2-3/4"
3"	3-5/8"	4"	4-1/4"	4-1/4"	3-5/8"
4"	3-5/8"	4"	4-1/4"	4-1/4"	3-7/8"
6"	3-1/2"				

**FD-870**

**Large Planting Area Drain with Screened Dome**



Catalog Number	Wt., lbs.	Dome Size	Pipe Size	Dome	List Price
FD-872,3,4,6	50	14" Dome	2,3,4,6"	aluminum w/SS mesh	\$663.00



**Options for FD-860/870 Series:**

Suffix	Description	List Price	Suffix	Description	List Price
None	No Hub	No Add	-13	Galvanized Body and Clamp	214.00
P	Push-On Outlet	No Add	-60	PVC Body w/Socket Outlet (2, 3, 4, 6" only)	No Add
T	Threaded Outlet	47.00	-61	ABS Body w/Socket Outlet (2, 3, 4, only)	No Add
X	Inside Caulk Outlet	No Add	-81	Bronze Dome	252.00
-6	Vandal Proof Dome	59.00	-50	Side Outlet	132.00



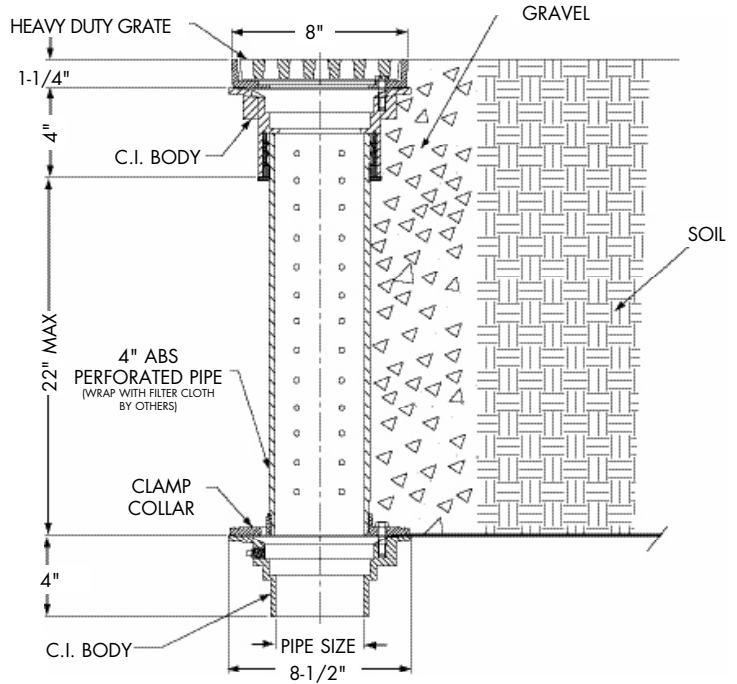
Consult factory for all applications outside of listed parameters.  
Prices do not include applicable taxes.

# Containment Drain

FD-880

Ground Water Containment Drain

Catalog Number	Wt., lbs.	Str. Size	Pipe Size	Strainer	List Price
FD-882, 3, 4	34	8"	2, 3, 4"	ductile iron	\$915.00



## Options for FD-880 Series:

Suffix	Description	List Price	Suffix	Description	List Price
None	No Hub Outlet	No Add	-5	Sediment Bucket	84.00
P	Push-On Outlet	No Add	-6	Vandal Proof	89.00
T	Threaded Outlet	47.00	-7	Trap Primer Tapping	NO ADD
X	Inside Caulk	No Add	-21	Secondary Strainer	40.00
-1	Nickel Bronze Top	289.00	-50	Side Outlet (2, 3, 4" Only)	132.00

Consult factory for all applications outside of listed parameters.  
Prices do not include applicable taxes.

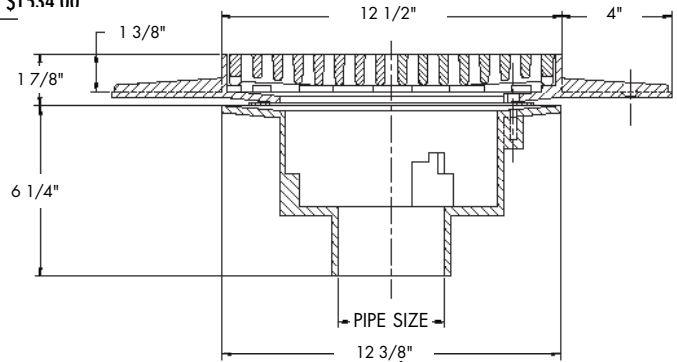


# Parking Area Drains

**FD-900**

**Parking Deck Drain For Precast Slabs**

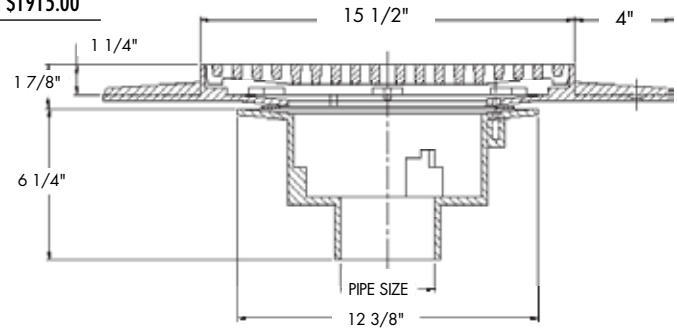
Catalog Number	Wt., lbs.	Cover Size	Pipe Size	Grate	List Price
FD-902,3,4,5,6,8	62	12"	2,3,4,5,6,8"	ductile iron	\$1534.00



**FD-910**

**Parking Deck Drain For Precast Slabs**

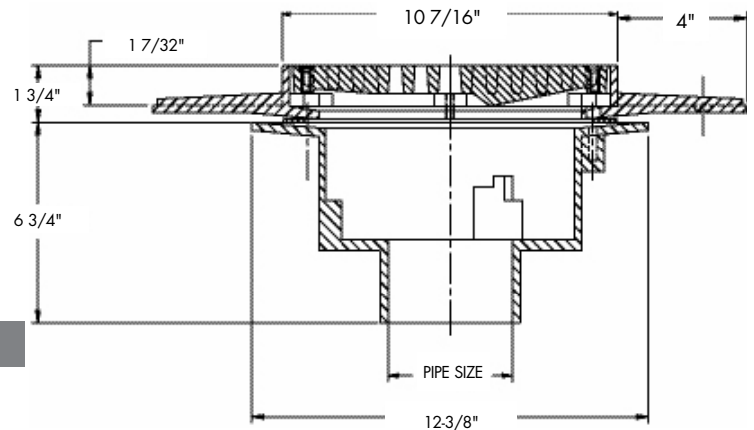
Catalog Number	Wt., lbs.	Cover Size	Pipe Size	Grate	List Price
FD-912,3,4,5,6,8	76	15"	2,3,4,5,6,8"	ductile iron	\$1915.00



**FD-920**

**Parking Deck Drain For Precast Slabs**

Catalog Number	Wt., lbs.	Cover Size	Pipe Size	Grate	List Price
FD-922,3,4,5,6,8	48	9"	2,3,4,5,6,8"	ductile iron	\$737.00



**Options for FD-900/910/920 Series:**

Suffix	Description	List Price
None	No Hub	No Add
P	Push-On Outlet (2,3,4,6" Only)	No Add
T	Threaded Outlet (2,3,4,6" Only)	47.00
X	Inside Caulk Outlet (2,3,4,6" Only)	No Add
-5	Sediment Bucket	124.00
-6	Vandal Proof	89.00
-D	Underdeck Clamp	146.00



Consult factory for all applications outside of listed parameters.  
Prices do not include applicable taxes.

# Floor Drains with Stainless Steel Strainers

## FD-1100-A

### Floor Drain with Round Stainless Steel Strainer

Catalog Number	Wt., lbs.	Str. Size	Pipe Size	Strainer	List Price
FD-1102,3,4-A5	11	5"	2,3,4"	stainless steel	\$367.00
FD-1102,3,4-A6	12.5	6"	2,3,4"	stainless steel	432.00
FD-1102,3,4-A8	16	8"	2,3,4"	stainless steel	591.00



Chart A

Strainer	Min.	Max.
5"	13/16"	3-1/4"
6"	7/8"	3-3/8"
8"	7/8"	3-1/4"

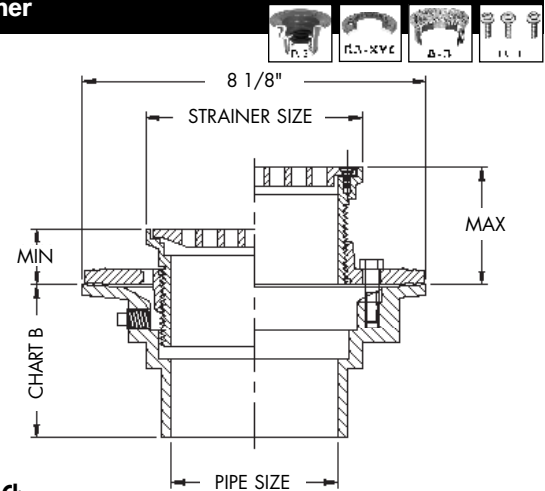


Chart B

Pipe Size	No Hub	Push On	Female Thread	Inside Caulk	PVC/ABS
2"	3-5/8"	4-1/4"	4-1/4"	4-1/2"	4"
3"	3-5/8"	4-1/4"	4-1/4"	4-1/2"	4"
4"	3-5/8"	4-1/4"	4-1/4"	4-1/2"	4"
6"	3-1/2"				

## FD-1100-B

### Floor Drain with Heavy Duty Round Stainless Steel Strainer

Catalog Number	Wt., lbs.	Str. Size	Pipe Size	Strainer	List Price
FD-1102,3,4-B5	11	5"	2,3,4"	stainless steel	\$492.00
FD-1102,3,4-B6	12.5	6"	2,3,4"	stainless steel	557.00
FD-1102,3,4-B8	16	8"	2,3,4"	stainless steel	714.00



Chart A

Strainer	Min	Max.
5"	13/16"	2-1/2"
6"	7/8"	2-3/4"
8"	7/8"	3-1/4"

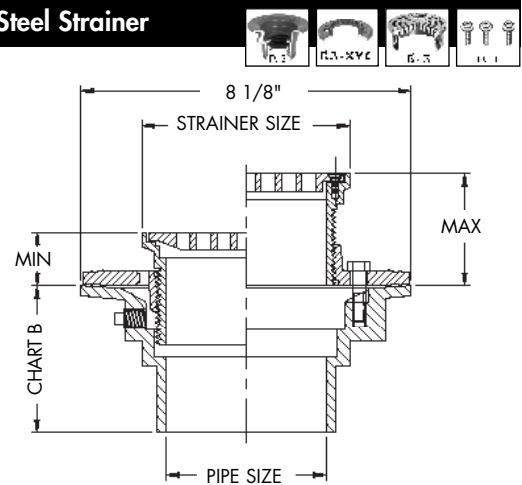


Chart B

Pipe Size	No Hub	Push On	Female Thread	Inside Caulk	PVC/ABS
2"	3-5/8"	3-5/8"	4-1/4"	4-1/4"	2-3/4"
3"	3-5/8"	4"	4-1/4"	4-1/4"	3-5/8"
4"	3-5/8"	4"	4-1/4"	4-1/4"	3-7/8"
6"	3-1/2"				

### Options for FD-1100 Series:

Suffix	Description	List Price	Suffix	Description	List Price
None	No Hub Outlet	No Add	-13	Galvanized Body	119.00
P	Push-On Outlet	No Add	-15	Strainer Extension (DD-50)	84.00
T	Threaded Outlet	47.00	-28	304 SS Body & Collar	555.00
X	Inside Caulk	No Add	-60	PVC Body w/Socket Outlet (2, 3, 4" Only)	No Add
None	6" Outlet No Hub Only	73.00	-61	ABS Body w/Socket Outlet (2, 3, 4" Only)	No Add
-5	Sediment Bucket	65.00	-F4-3	4" Round SS Funnel	528.00
-6	Vandal Proof	33.00	-F4-50	4" Round Cast Iron Funnel	107.00
-7	Trap Primer Tapping	NO ADD	-F4-1	4" Round Nickel Bronze Funnel	256.00
-8	Backwater Valve (2, 3, 4" Only)	148.00	-F6-1	6" Round Nickel Bronze Funnel	380.00
			-G-50	4x9" Oval Cast Iron Funnel	256.00
			-G-1	4x9" Oval Nickel Bronze Funnel	531.00
			-S0	Side Outlet (2, 3, 4" Only)	132.00

Consult factory for all applications outside of listed parameters.

Prices do not include applicable taxes.



# Floor Drains with Stainless Steel Strainers

**FD-1100-L**

**Floor Drain with Heavy Duty Square Stainless Steel Strainer**



Catalog Number	Wt., lbs.	Str. Size	Pipe Size	Strainer	List Price
FD-1102,3,4-L5	10	5" x 5"	2,3,4"	stainless steel	\$530.00
FD-1102,3,4-L6	14	6" x 6"	2,3,4"	stainless steel	610.00
FD-1102,3,4-L8	16	8" x 8"	2,3,4"	stainless steel	824.00

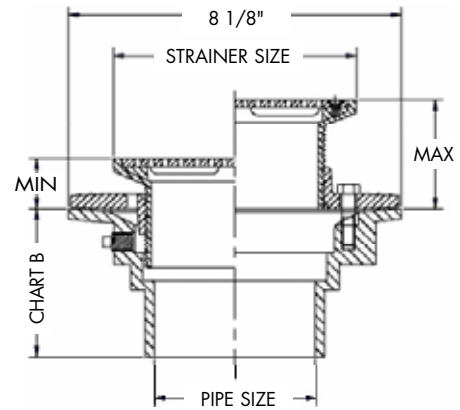


**Chart A**

Strainer	Min	Max.
5" x 5"	7/8"	3-1/4"
6" x 6"	1"	3-1/4"
8" x 8"	1-3/8"	3-5/8"

**Chart B**

Pipe Size	No Hub	Push On	Female Thread	Inside Caulk	PVC/ABS
2"	3-5/8"	3-5/8"	4-1/4"	4-1/4"	2-3/4"
3"	3-5/8"	4"	4-1/4"	4-1/4"	3-5/8"
4"	3-5/8"	4"	4-1/4"	4-1/4"	3-7/8"
6"	3-1/2"				



**FD-1100-M**

**Floor Drain with Square Stainless Steel Strainers**



Catalog Number	Wt., lbs.	Str. Size	Pipe Size	Strainer	List Price
FD-1102,3,4-M5	11	5" x 5"	2,3,4"	stainless steel	\$465.00
FD-1102,3,4-M6	12.5	6" x 6"	2,3,4"	stainless steel	508.00
FD-1102,3,4-M8	16	8" x 8"	2,3,4"	stainless steel	706.00

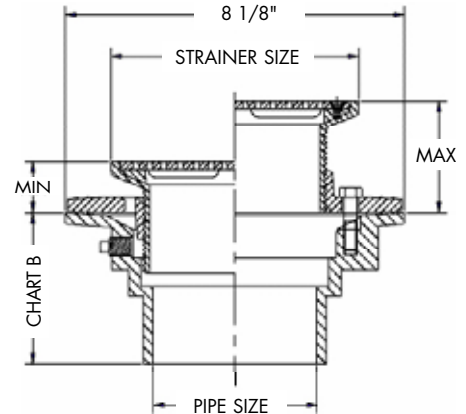


**Chart A**

Strainer	Min.	Max.
5"x5"	7/8"	3-1/4"
6"x6"	1"	3-1/4"
8"x8"	1-3/8"	3-5/8"

**Chart B**

Pipe Size	No Hub	Push On	Female Thread	Inside Caulk	PVC/ABS
2"	3-5/8"	4-1/4"	4-1/4"	4-1/2"	4"
3"	3-5/8"	4-1/4"	4-1/4"	4-1/2"	4"
4"	3-5/8"	4-1/4"	4-1/4"	4-1/2"	4"
6"	3-1/2"				



**Options for FD-1100 Series:**

Suffix	Description	List Price	Suffix	Description	List Price
None	No Hub Outlet	No Add	-13	Galvanized Body	119.00
P	Push-On Outlet	No Add	-15	Strainer Extension (DD-50)	84.00
T	Threaded Outlet	47.00	-28	304 SS Body & Collar	555.00
X	Inside Caulk	No Add	-60	PVC Body w/Socket Outlet (2, 3, 4" Only)	No Add
None	6" Outlet No Hub Only	73.00	-61	ABS Body w/Socket Outlet (2, 3, 4" Only)	No Add
-5	Sediment Bucket	65.00	-F4-3	4" Round SS Funnel	528.00
-6	Vandal Proof	33.00	-F4-50	4" Round Cast Iron Funnel	107.00
-7	Trap Primer Tapping	NO ADD	-F4-1	4" Round Nickel Bronze Funnel	256.00
-8	Backwater Valve (2, 3, 4" Only)	148.00	-F6-1	6" Round Nickel Bronze Funnel	380.00
			-G-50	4x9" Oval Cast Iron Funnel	256.00
			-G-1	4x9" Oval Nickel Bronze Funnel	531.00
			-50	Side Outlet (2, 3, 4" Only)	132.00



Consult factory for all applications outside of listed parameters. Prices do not include applicable taxes.

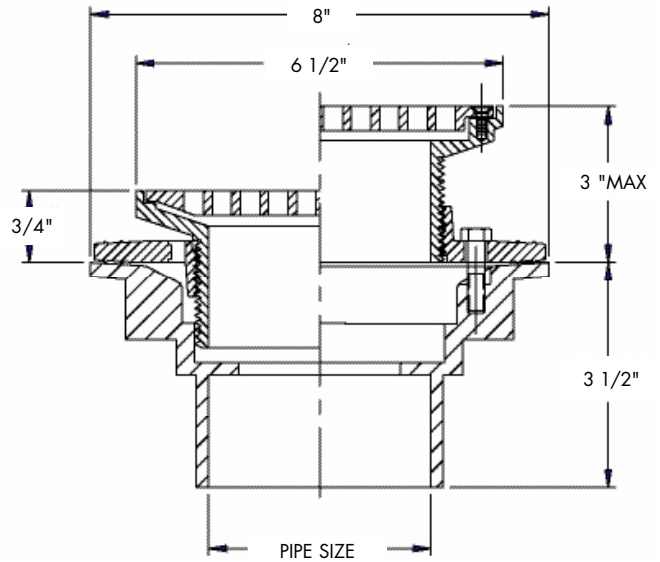


# Chemical Resistant Floor Drains

**FD-1160**

**Chemical Resistant Floor Drain**

Catalog Number	Wt., lbs.	Str. Size	Pipe Size	Strainer	List Price
FD-1162,3,4	6	6-1/2"	2,3,4"	PVC	\$269.00



### Options for FD-1160 Series:

Suffix	Description	List Price
-5	Sediment Bucket	65.00
-6	Vandal Proof	33.00
-7	Trap Primer Tapping	NO ADD
-F4-1	4" Round Nickel Bronze Funnel	256.00
-F6-1	6" Round Nickel Bronze Funnel	380.00
-G-1	4x9" Oval Nickel Bronze Funnel	531.00

Consult factory for all applications outside of listed parameters.  
Prices do not include applicable taxes.



# On-Grade Floor Drains with Stainless Steel Strainers

FD-1200-A

Floor Drain with Heavy Duty Round Stainless Steel Strainer



Catalog Number	Wt., lbs.	Str. Size	Pipe Size	Strainer	List Price
FD-1202,3,4-A5	8	5"	2,3,4"	stainless steel	\$297.00
FD-1202,3,4-A6	9.5	6"	2,3,4"	stainless steel	362.00
FD-1202,3,4-A8	16	8"	2,3,4"	stainless steel	521.00

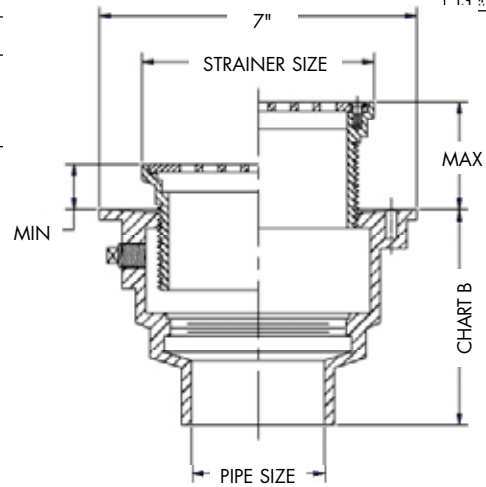


Chart A

Str. Dia.	Min.	Max.
5"	7/16"	2-1/4"
6"	5/8"	2-1/4"
8"	3/4"	2-3/4"

Chart B

Pipe Size	NH	Push-On	PVC/ABS
2"	4-3/4"	5-1/2"	4"
3"	4-3/4"	5-1/2"	4"
4"	4-3/4"	5-1/2"	4"

FD-1200-B

Floor Drain with Heavy Duty Round Stainless Steel Strainer



Catalog Number	Wt., lbs.	Str. Size	Pipe Size	Strainer	List Price
FD-1202,3,4-B5	11	5"	2,3,4"	stainless steel	\$422.00
FD-1202,3,4-B6	12.5	6"	2,3,4"	stainless steel	487.00
FD-1202,3,4-B8	16	8"	2,3,4"	stainless steel	644.00

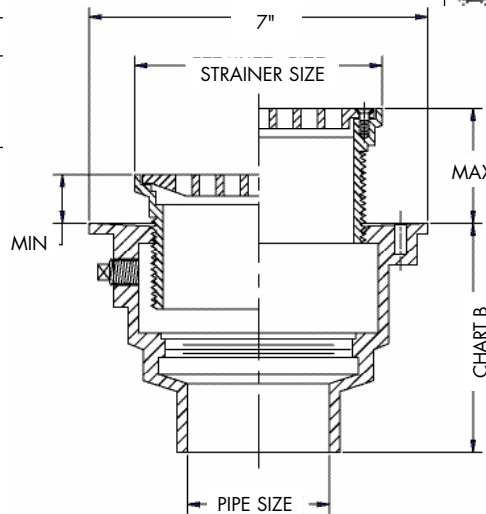


Chart A

Str. Dia.	Min.	Max.
5"	7/16"	2-1/4"
6"	5/8"	2-1/4"
8"	3/4"	2-3/4"

Chart B

Pipe Size	NH	Push-On	PVC/ABS
2"	4-3/4"	5-1/2"	4"
3"	4-3/4"	5-1/2"	4"
4"	4-3/4"	5-1/2"	4"

## Options for FD-1200 Series:

Suffix	Description	List Price	Suffix	Description	List Price
None	No Hub	No Add	-15	Strainer Extension (DD-50)	84.00
P	Push-On Outlet	No Add	-28	304SS Body & Collar w/BW Connection	555.00
-X	Inside Caulk	No Add	-60	PVC Body w/Socket Outlet	No Add
-5	Sediment Bucket	65.00	-61	ABS Body w/Socket Outlet	No Add
-6	Vandal Proof	33.00	-F4-3	4" Round SS Funnel	528.00
-7	Trap Primer Tapping	NO ADD	-F4-50	4" Round Cast Iron Funnel	107.00
-8	Backwater Valve	148.00	-F4-1	4" Round Nickel Bronze Funnel	256.00
-13	Galvanized Body	119.00	-F6-1	6" Round Nickel Bronze Funnel	380.00
			-G-50	4x9" Oval Cast Iron Funnel	256.00
			-G-1	4x9" Oval Nickel Bronze Funnel	531.00



Consult factory for all applications outside of listed parameters.  
Prices do not include applicable taxes.

# On-Grade Floor Drains with Stainless Steel Strainers

## FD-1200-L

### Floor Drain with Heavy Duty Square Stainless Steel Strainer



Catalog Number	Wt., lbs.	Str. Size	Pipe Size	Strainer	List Price
FD-1202,3,4-L5	10	5" x 5"	2,3,4"	stainless steel	\$460.00
FD-1202,3,4-L6	14	6" x 6"	2,3,4"	stainless steel	540.00
FD-1202,3,4-L8	16	8" x 8"	2,3,4"	stainless steel	754.00

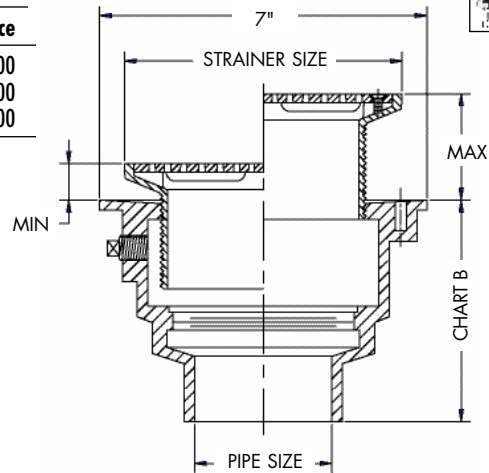


Chart A

Strainer	Min	Max.
5" x 5"	1-1/2"	2-5/16"
6" x 6"	1-1/2"	2-5/16"
8" x 8"	3/4"	2-3/4"

Chart B

Pipe Size	NH	Push-On	PVC/ABS
2"	4-3/4"	5-1/2"	4"
3"	4-3/4"	5-1/2"	4"
4"	4-3/4"	5-1/2"	4"

## FD-1200-M

### Floor Drain with Square Stainless Steel Strainer



Catalog Number	Wt., lbs.	Str. Size	Pipe Size	Strainer	List Price
FD-1202,3,4-M5	10	5" x 5"	2,3,4"	stainless steel	\$395.00
FD-1202,3,4-M6	12.5	6" x 6"	2,3,4"	stainless steel	438.00
FD-1202,3,4-M8	16	8" x 8"	2,3,4"	stainless steel	636.00

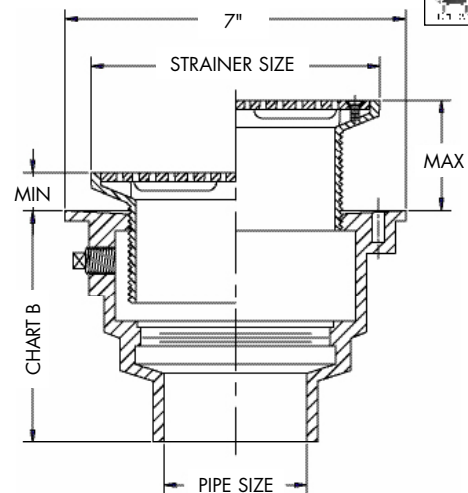


Chart A

Strainer	Min.	Max.
5"x5"	1-1/2"	2-5/16"
6"x6"	1-1/2"	2-5/16"
8"x8"	1-1/2"	2-3/4"

Chart B

Pipe Size	NH	Push-On	PVC/ABS
2"	4-3/4"	5-1/2"	4"
3"	4-3/4"	5-1/2"	4"
4"	4-3/4"	5-1/2"	4"

### Options for FD-1200 Series:

Suffix	Description	List Price	Suffix	Description	List Price
None	No Hub	No Add	-15	Strainer Extension (DD-50)	84.00
P	Push-On Outlet	No Add	-28	304SS Body & Collar w/BW Connection	555.00
-X	Inside Caulk	No Add	-60	PVC Body w/Socket Outlet	No Add
-5	Sediment Bucket	65.00	-61	ABS Body w/Socket Outlet	No Add
-6	Vandal Proof	33.00	-F4-3	4" Round SS Funnel	528.00
-7	Trap Primer Tapping	NO ADD	-F4-50	4" Round Cast Iron Funnel	107.00
-8	Backwater Valve	148.00	-F4-1	4" Round Nickel Bronze Funnel	256.00
-13	Galvanized Body	119.00	-F6-1	6" Round Nickel Bronze Funnel	380.00
			-G-50	4x9" Oval Cast Iron Funnel	256.00
			-G-1	4x9" Oval Nickel Bronze Funnel	531.00

Consult factory for all applications outside of listed parameters.

Prices do not include applicable taxes.

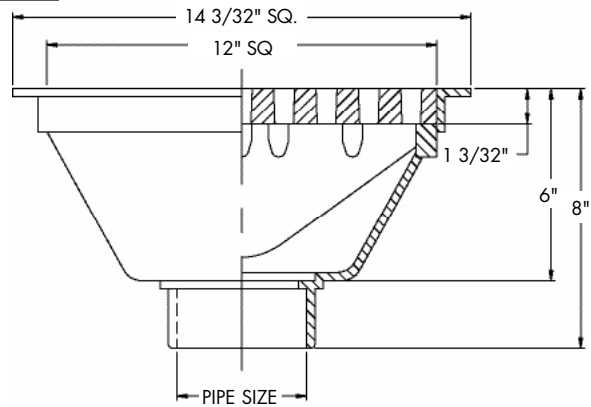


# Sanitary Floor Sinks

**FS-500**

**12" Square x 6" Deep PVC Floor Sink**

Catalog Number	Wt., lbs.	Top Size	Outlet Size	Top	List Price
FS-502, 3, 4	9	12" square	2, 3, 4"	PVC	\$710.00



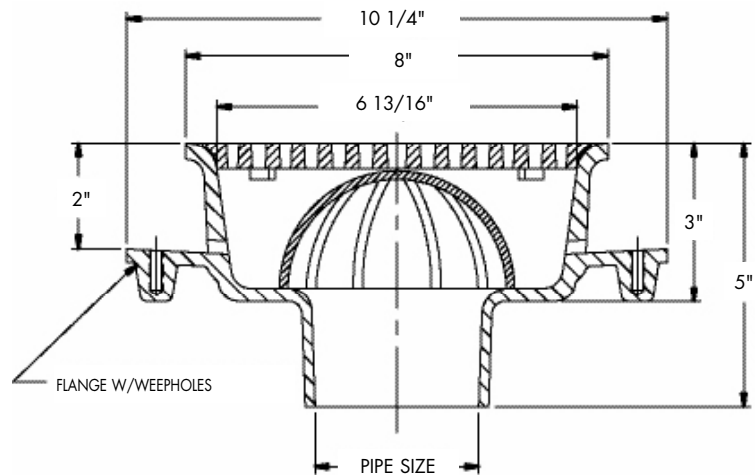
### Options for FD-500 Series:

Suffix	Description	List Price
-5	Sediment Bucket	108.00
-6	Vandal Proof	48.00
-22	Less Grate	-76.00
-150	1/2 Grate	No Add
-175	3/4 Grate	No Add
-DS	Dome Strainer	70.00

**FS-700**

**8" Round x 3" Deep Sanitary Floor Sink**

Catalog Number	Wt., lbs.	Top Size	Outlet Size	Top	List Price
FS-702, 3, 4	14	8" round	2, 3, 4"	porcelain	\$648.00
FS-702, 3, 4-1	20	8" round	2, 3, 4"	nickel bronze	923.00



### Options for FS-700 Series

Suffix	Option	List Price	Suffix	Option	List Price
None	No Hub	No Add	-21	Secondary Strainer	40.00
P	Push-On Outlet	No Add	-22	Less Grate	-117.00
-F	Flange w/ Weepholes	173.00	-150	1/2 Grate	No Add
-FC	Flange w/ Weepholes & Flashing Clamp	286.00	-175	3/4 Grate	No Add
-5	Sediment Bucket	138.00	-F4-1	4" Round Nickel Bronze Funnel	256.00
-6	Vandal Proof (-1 Only)	46.00	-F6-1	6" Round Nickel Bronze Funnel	380.00
-7	Trap Primer Tapping	117.00	-G-1	4 x 9" Oval Nickel Bronze Funnel	531.00



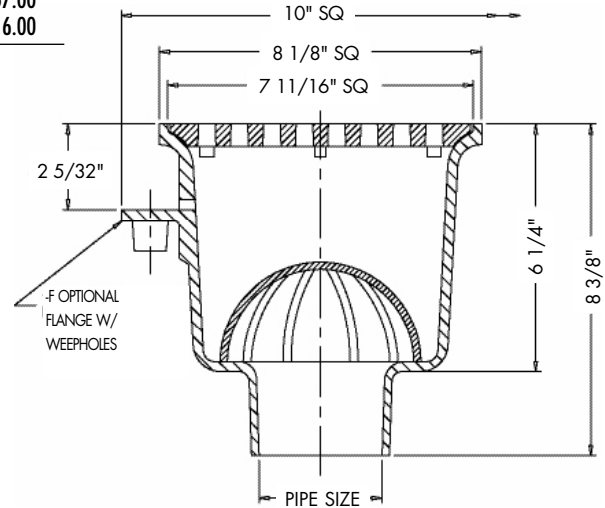
Consult factory for all applications outside of listed parameters.  
Prices do not include applicable taxes.

# Sanitary Floor Sinks

**FS-710**

**8" Square x 6" Deep Sanitary Floor Sink**

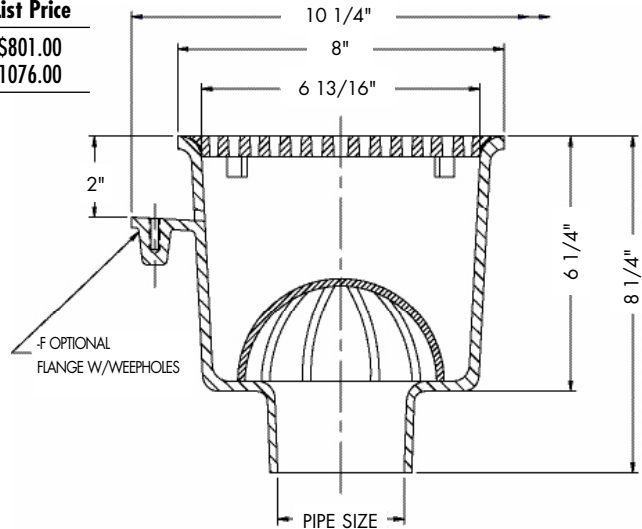
Catalog Number	Wt., lbs.	Top Size	Outlet Size	Top	List Price
FS-712, 3, 4	20	8" square	2, 3, 4"	porcelain	\$957.00
FS-712, 3, 4-1	20	8" square	2, 3, 4"	nickel bronze	1216.00



**FS-720**

**8" Round x 6" Deep Sanitary Floor Sink**

Catalog Number	Wt., lbs.	Top Size	Outlet Size	Top	List Price
FS-722, 3, 4	16	8" round	2, 3, 4"	porcelain	\$801.00
FS-722, 3, 4-1	16	8" round	2, 3, 4"	nickel bronze	1076.00



## Options for FS-710/720 Series

Suffix	Option	List Price	Suffix	Option	List Price
None	No Hub	No Add	-21	Secondary Strainer	40.00
P	Push-On Outlet	No Add	-22	Less Grate	-117.00
X	Inside Caulk Outlet	No Add	-150	1/2 Grate	No Add
-F	Flange w/ Weepholes	111.00	-175	3/4 Grate	No Add
-FC	Flange w/ Weepholes & Flashing Clamp	205.00	-F4-1	4" Round Nickel Bronze Funnel	256.00
-5	Sediment Bucket	120.00	-F6-1	6" Round Nickel Bronze Funnel	380.00
-6	Vandal Proof (-1 Only)	46.00	-G-1	4 x 9" Oval Nickel Bronze Funnel	531.00
-7	Trap Primer Tapping	117.00			

Consult factory for all applications outside of listed parameters.

Prices do not include applicable taxes.

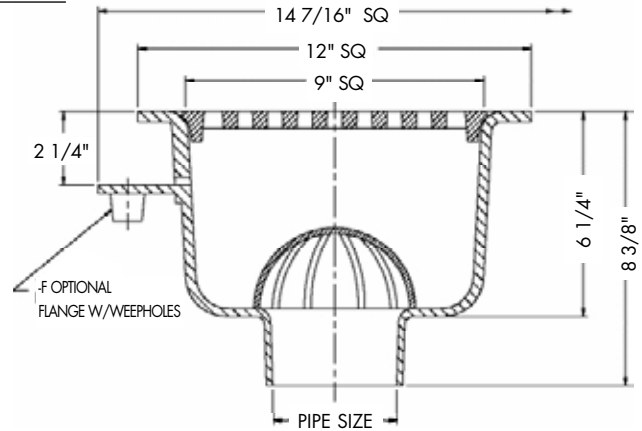


# Sanitary Floor Sinks

**FS-730**

**12" Square x 6" Deep Sanitary Floor Sink**

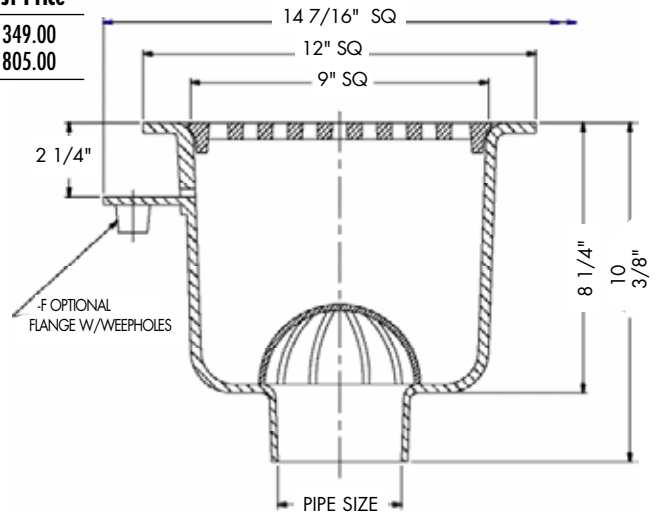
Catalog Number	Wt., lbs.	Top Size	Outlet Size	Top	List Price
FS-732, 3, 4	32	12" square	2, 3, 4"	porcelain	\$1283.00
FS-732, 3, 4-1	32	12" square	2, 3, 4"	nickel bronze	1739.00



**FS-740**

**12" Square x 8" Deep Sanitary Floor Sink**

Catalog Number	Wt., lbs.	Top Size	Outlet Size	Top	List Price
FS-742, 3, 4	34	12" square	2, 3, 4"	porcelain	\$1349.00
FS-742, 3, 4-1	34	12" square	2, 3, 4"	nickel bronze	1805.00



## Options for FS-730 / FS-740 / FS-750 Series

Suffix	Option	List Price	Suffix	Option	List Price
None	No Hub	No Add	-9	Hinged Grate (-1 Only)	213.00
P	Push-On Outlet	No Add	-21	Secondary Strainer	40.00
X	Inside Caulk Outlet	No Add	-22	Less Grate	-138.00
-F	Flange w/ Weepholes	233.00	-128	Grate with 2 1/2" Center Opening	107.00
-FC	Flange w/ Weepholes & Flashing Clamp	353.00	-150	1/2 Grate	No Add
-3	Stainless Steel Rim & Grate	546.00	-175	3/4 Grate	No Add
-5	Sediment Bucket	193.00	-F4-1	4" Round Nickel Bronze Funnel	256.00
-6	Vandal Proof (-1, -3 Only)	46.00	-F6-1	6" Round Nickel Bronze Funnel	380.00
-7	Trap Primer Tapping	117.00	-G-1	4 x 9" Oval Nickel Bronze Funnel	531.00



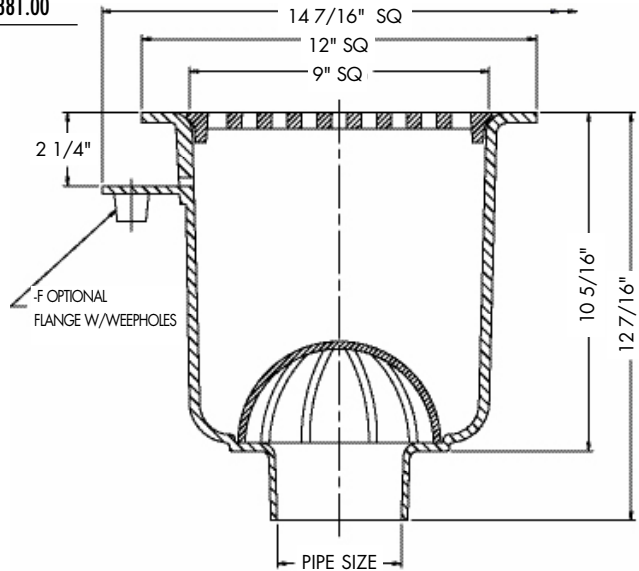
Consult factory for all applications outside of listed parameters.  
Prices do not include applicable taxes.

# Sanitary Floor Sinks

**FS-750**

**12" Square x 10" Deep Sanitary Floor Sink**

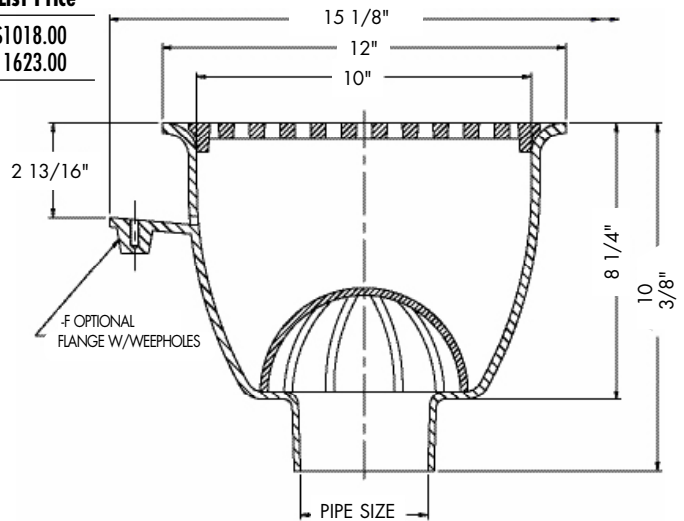
Catalog Number	Wt., lbs.	Top Size	Outlet Size	Top	List Price
FS-752, 3, 4	36	12" square	2, 3, 4"	porcelain	\$1425.00
FS-752, 3, 4-1	36	12" square	2, 3, 4"	nickel bronze	1881.00



**FS-760**

**12" Round x 8" Deep Sanitary Floor Sink**

Catalog Number	Wt., lbs.	Top Size	Outlet Size	Top	List Price
FS-762, 3, 4	32	12" round	2, 3, 4"	porcelain	\$1018.00
FS-762, 3, 4-1	32	12" round	2, 3, 4"	nickel bronze	1623.00



## Options for FS-760 Series

Suffix	Option	List Price	Suffix	Option	List Price
None	No Hub	No Add	-21	Secondary Strainer	40.00
P	Push-On Outlet	No Add	-22	Less Grate	-161.00
X	Inside Caulk Outlet	No Add	-150	1/2 Grate	No Add
-F	Flange w/ Weepholes	230.00	-175	3/4 Grate	No Add
-FC	Flange w/ Weepholes & Flashing Clamp	341.00	-F4-1	4" Round Nickel Bronze Funnel	256.00
-5	Sediment Bucket	193.00	-F6-1	6" Round Nickel Bronze Funnel	380.00
-6	Vandal Proof (-1, -3 Only)	46.00	-G-1	4 x 9" Oval Nickel Bronze Funnel	531.00
-7	Trap Primer Tapping	117.00			

Consult factory for all applications outside of listed parameters.

Prices do not include applicable taxes.



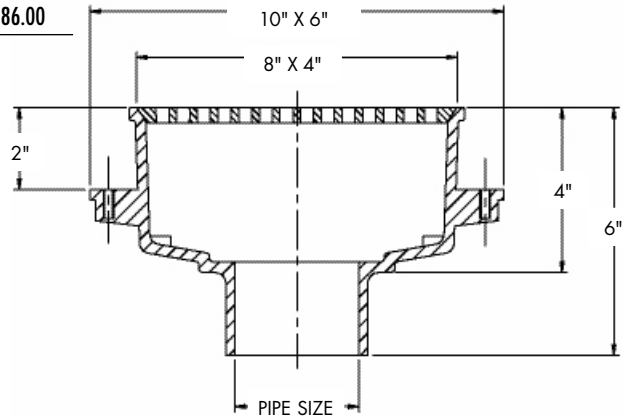


# Sanitary Floor Sinks

**FS-770**

**8" x 4" x 4" Deep Sanitary Floor Sink**

Catalog Number	Wt., lbs.	Top Size	Outlet Size	Top	List Price
FS-772, 3	16	4" x 8"	2, 3"	porcelain	\$988.00
FS-772, 3-1	16	4" x 8"	2, 3"	nickel bronze	1186.00



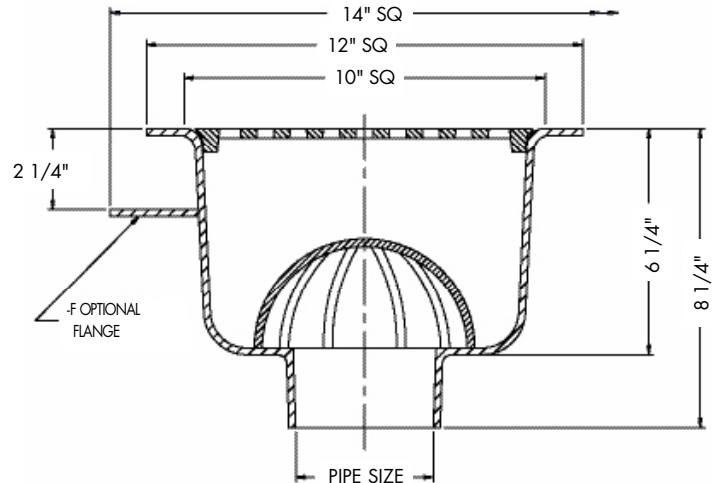
## Options for FS-770 Series

Suffix	Option	List Price	Suffix	Option	List Price
None	No Hub	No Add	-7	Trap Primer Tapping	117.00
P	Push-On Outlet	No Add	-22	Less Grate	-85.00
-F	Flange w/ Weepholes	117.00	-150	1/2 Grate	No Add
-FC	Flange w/ Weepholes & Flashing Clamp	230.00	-F4-1	4" Round Nickel Bronze Funnel	256.00
-5	Sediment Bucket	117.00	-F6-1	6" Round Nickel Bronze Funnel	380.00
-6	Vandal Proof (-1 Only)	46.00	-G-1	4 x 9" Oval Nickel Bronze Funnel	531.00

**FS-780**

**12" Square x 6" Deep Stainless Steel Sanitary Floor Sink**

Catalog Number	Wt., lbs.	Top Size	Outlet Size	Top	List Price
FS-782, 3, 4	16	12" square	2, 3, 4"	stainless steel	\$2268.00



## Options for FS-780 and FS-790 Series

Suffix	Option	List Price	Suffix	Option	List Price
None	No Hub	No Add	-22	Less Grate	-243.00
P	Push-On Outlet	No Add	-150	1/2 Grate	No Add
-F	Flange w/ Weepholes	334.00	-175	3/4 Grate	No Add
-FC	Flange w/ Weepholes & Flashing Clamp	626.00	-F4-1	4" Round Nickel Bronze Funnel	256.00
-5	Sediment Bucket	252.00	-F6-1	6" Round Nickel Bronze Funnel	380.00
-6	Vandal Proof	388.00	-G-1	4 x 9" Oval Nickel Bronze Funnel	531.00
-21	Secondary Strainer	40.00			



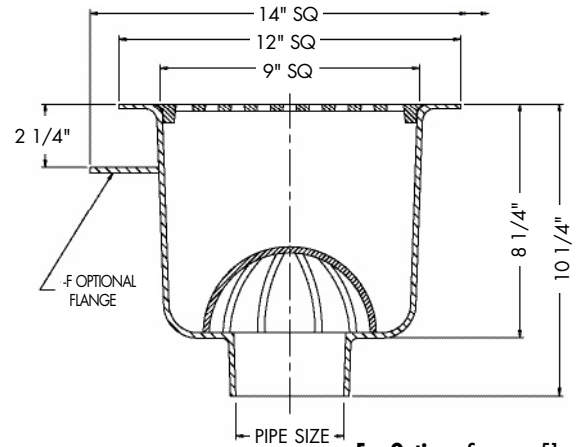
Consult factory for all applications outside of listed parameters.  
Prices do not include applicable taxes.

# Sanitary Floor Sinks

**FS-790**

**12" Square x 8" Deep Stainless Steel Sanitary Floor Sink**

Catalog Number	Wt., lbs.	Top Size	Outlet Size	Top	List Price
FS-792, 3, 4	18	12" square	2, 3, 4"	stainless steel	\$2370.00

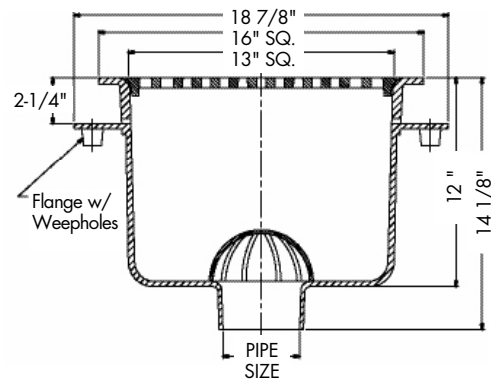


For Options, See page 51.

**FS-850**

**16" Square x 12" Deep Sanitary Floor Sink**

Catalog Number	Wt., lbs.	Top Size	Outlet Size	Top	List Price
FS-854,6	150	16" square	4,6"	porcelain	\$2845.00
FS-854,6-1	150	16" square	4,6"	nickel bronze	3589.00



## Options for FS-850 Series

Suffix	Option	List Price	Suffix	Option	List Price
-FC	Flashing Clamp	341.00	-150	1/2 Grate	No Add
-5	Sediment Bucket	502.00	-175	3/4 Grate	No Add
-6	Vandal Proof (-1 Only)	46.00	-F4-1	4" Round NB Funnel	256.00
-7	Trap Primer Tapping	117.00	-F6-1	6" Round NB Funnel	380.00
-22	Less Grate	-230.00	-G-1	4x9 Oval NB Funnel	531.00

Consult factory for all applications outside of listed parameters.  
Prices do not include applicable taxes.

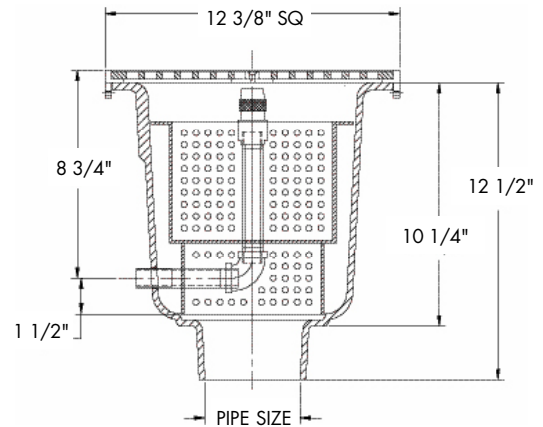


# Can Wash Drains

**FS-800**

**Sanitary Can Wash Drain**

Catalog Number	Wt., lbs.	Top Size	Outlet Size	Top	List Price
FS-804	39	12" square	4"	nickel bronze	\$2583.00



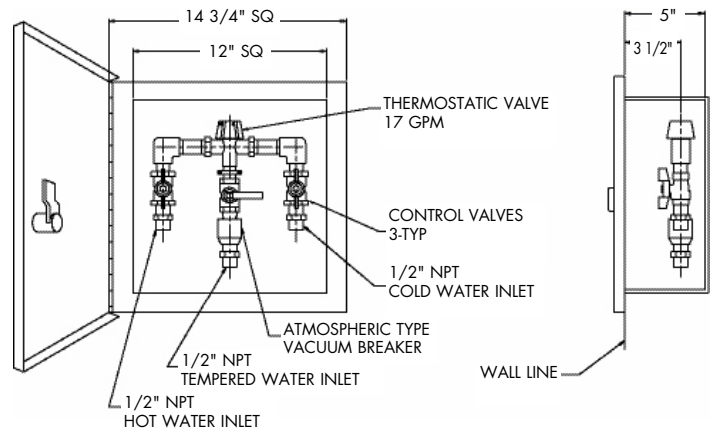
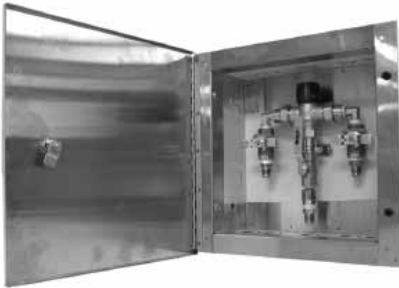
### Options for FS-800 Series

Suffix	Option	List Price
-6	Vandal Proof	46.00

**FS-890**

**Water Supply Control Box**

Catalog Number	Wt., lbs.	Material	List Price
FS-890	15	Stainless Steel	\$3244.00



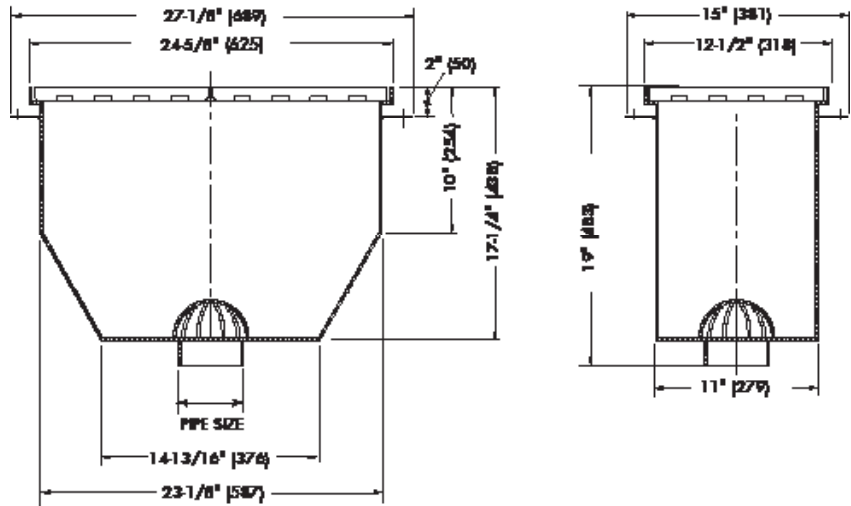
Consult factory for all applications outside of listed parameters.  
Prices do not include applicable taxes.

# Sanitary Floor Receptor

FS-900

12" x 24" x 17" Deep Floor Receptor

Catalog Number	Wt., lbs.	Top Size	Outlet Size	Top	List Price
FS-902,3,4,6	82	12" x 24"	2,3,4,6"	ductile iron	\$5780.00
FS-902,3,4,6-1	82	12" x 24"	2,3,4,6"	nickel bronze	7400.00



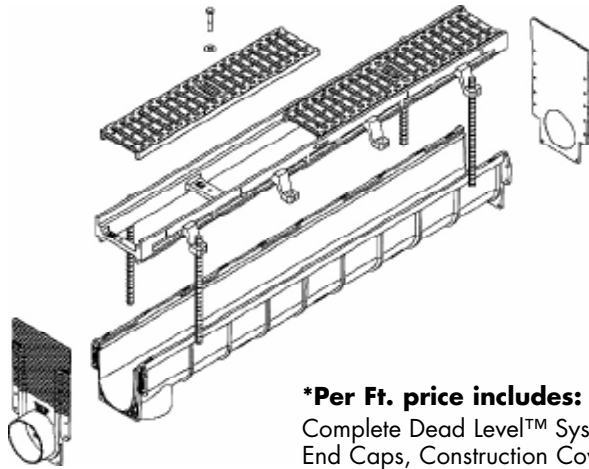
## Options for FS-900 Series

Suffix	Option	List Price	Suffix	Option	List Price
None	No Hub	No Add	-150	1/2 Grate	No Add
P	Push-On Outlet	No Add	-175	3/4 Grate	No Add
-FC	Flashing Clamp	344.00	-F4-1	4" Round Nickel Bronze Funnel	256.00
-5	Sediment Bucket	1146.00	-F6-1	6" Round Nickel Bronze Funnel	380.00
-6	Vandal Proof	46.00	-G-1	4 x 9" Oval Nickel Bronze Funnel	531.00
-22	Less Grate	-1290.00			

Consult factory for all applications outside of listed parameters.  
Prices do not include applicable taxes.



# Dead Level™ 6" Wide Pre-Sloped Trench Drain



**\*Per Ft. price includes:**

Complete Dead Level™ System with Channels, Frames, Grates, Lockdowns, Frame Connectors, End Caps, Construction Covers, and Hardware as Required.

## System Pricing

### Dead Level D w/Ductile Iron Frame

Grating Type	List Price Per Ft.*
BR - Decorative Bronze	476.00
DI - Ductile Iron	348.00
DI-ADA - ADA Ductile Iron	372.00
GDI - Galvanized Ductile Iron	414.00
GS - Galvanized Slotted	304.00
GP - Galvanized Perforated	304.00
FG - Fiberglass Grate	348.00
SS - Stainless Slotted	450.00
SP - Stainless Perforated	450.00
RGS - HD Galvanized Slotted	358.00
RGP - HD Galvanized Perforated	358.00
RSS - HD Stainless Slotted	502.00
RSP - HD Stainless Perforated	502.00
PP - Polypropylene	304.00
SCI - Solid Cast Iron	384.00
LG - Less Grate	254.00

### Dead Level P w/Polypropylene Frame

Grating Type	List Price Per Ft.*
BR - Decorative Bronze	418.00
DI - Ductile Iron	290.00
DI-ADA - ADA Ductile Iron	314.00
GDI - Galvanized Ductile Iron	356.00
GS - Galvanized Slotted	246.00
GP - Galvanized Perforated	246.00
FG - Fiberglass Grate	290.00
SS - Stainless Slotted	392.00
SP - Stainless Perforated	392.00
RGS - HD Galvanized Slotted	300.00
RGP - HD Galvanized Perforated	300.00
RSS - HD Stainless Slotted	444.00
RSP - HD Stainless Perforated	444.00
PP - Polypropylene	246.00
SCI - Solid Cast Iron	326.00
LG - Less Grate	196.00

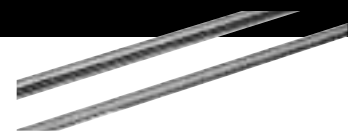
## Catch Basins

	Add List Per Basin
CB-624D 6x24x24 Catch Basin w/DI Frame	904.00
CB-624P 6x24x24 Catch Basin w/PP Frame	904.00
CB-624D-T 6x24x24 Catch Basin w/DI Frame, Trash Basket	1026.00
CB-624P-T 6x24x24 Catch Basin w/PP Frame, Trash Basket	1026.00
CB-2424 24x24x24 Catch Basin w/DI Grate	2476.00
CB-2424T 24x24x24 Catch Basin w/DI Grate, Trash Basket	2992.00
CB-2424-SS 24x24x24 Catch Basin w/SS Grate	5544.00
CB-2424T-SS 24x24x24 Catch Basin w/SS Grate, Trash Basket	6060.00



## Frame Guards

	Add List Per Ft.
FG-BR Decorative Bronze	180.00
FG-GV Galvanized Steel	42.00
FG-SS Stainless Steel	136.00



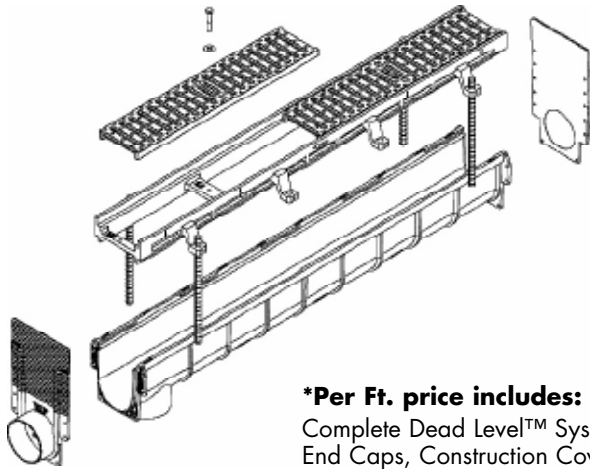
## Corners/Tees

	Add List Each
Corner/Tee	248.00



Consult factory for all applications outside of listed parameters.  
Prices do not include applicable taxes.

# Dead Level DX 12" Wide Pre-Sloped Trench Drain



**\*Per Ft. price includes:**

Complete Dead Level™ System with Channels, Frames, Grates, Lockdowns, Frame Connectors, End Caps, Construction Covers, and Hardware as Required.

## System Pricing

### Dead Level DX w/Ductile Iron Frame

Grating Type	List Price Per Ft.*
DI - Ductile Iron	798.00
DI-ADA - ADA Ductile Iron	858.00
GDI - Galvanized Ductile Iron	952.00
RGP - HD Galvanized Perforated	834.00
RGS - HD Galvanized Slotted	834.00
RSP - HD Stainless Perforated	1154.00
RSS - HD Stainless Slotted	1154.00
SCI - Solid Cast Iron	894.00
LG - Less Grate	556.00

### Catch Basins

	Add List
CB-2424 24x24x24 Catch Basin w/DI Grate	2476.00
CB-2424T 24x24x24 Catch Basin w/DI Grate, Trash Basket	2992.00
CB-2424-SS 24x24x24 Catch Basin w/SS Grate	5544.00
CB-2424T-SS 24x24x24 Catch Basin w/SS Grate, Trash Basket	6060.00



### Frame Guards

	Add List Per Ft.
-FG Galvanized Steel	42.00
-FS Stainless Steel	136.00



### Frame Guards

	Add List Each
Corner/Tee	368.00



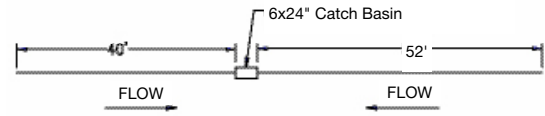
Consult factory for all applications outside of listed parameters.  
Prices do not include applicable taxes.



# How to Configure & Order Dead Level™ Trench System

## 1. Sketch General Layout

For each separate trench configuration show length(s), position of outlet(s), direction of flow(s), and position of catch basins (if required).



## 2. Specify Frame

Ductile Iron  
Polypropylene

### Ordering Code

D  
P

## 3. Specify Length in Feet

(Do Not Include Catch Basins)

Numeric

## 4. Specify Outlet

Straight Run End Outlet  
Straight Run Center Outlet  
Other Configuration

EO  
CO  
XO

## 5. Specify Grating

Ex. Ductile Iron  
Galvanized Steel Perforated  
Reinforced Stainless Steel Slotted  
Polypropylene

DI  
GP  
RSS  
PP

## 6. Specify Catch Basin

(If Required) 6x6x24" Catch Basin  
24x24x24" Catch Basin

B6  
B24

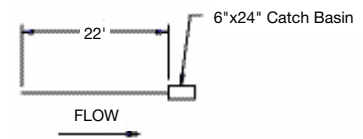
## 7. Specify Frame Guards

(If Required) Decorative Bronze  
Galvanized Steel  
Stainless Steel

BR  
FG  
FS

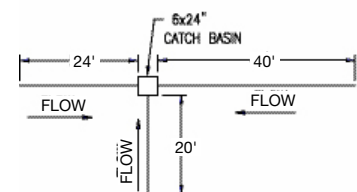
## 8a. Configure Straight Run (EO or CO)

Ex. P22-EO-RSS-B6-FS  
P = Polypropylene Frame  
22 = Trench Length in Feet  
EO = End Outlet  
RSS = Reinforced Stainless Steel Slotted Grates  
B6 = 6x24x24" Catch Basin  
FS = Stainless Steel Frame Guard



## 8b. Configure Special Run (XO)

Ex. D84-XO-DI-B24  
D = Ductile Iron Frame  
84 = Trench Length in Feet  
XO = Other Configuration (Provide Sketch or Describe)  
DI = Ductile Iron Grates  
B24 = 24x24x24" Catch Basin



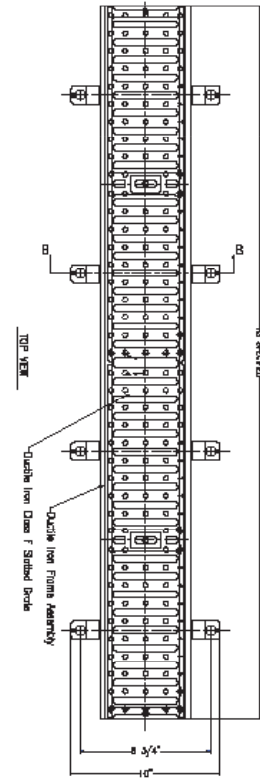
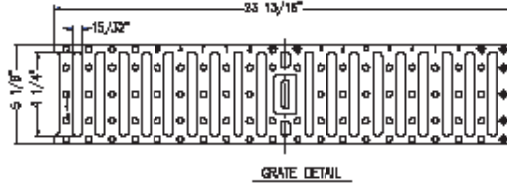
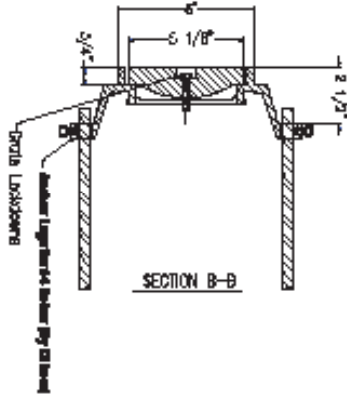


# Trench Grating

DL-GF

6" Wide Ductile Iron Trench Grating with Frame

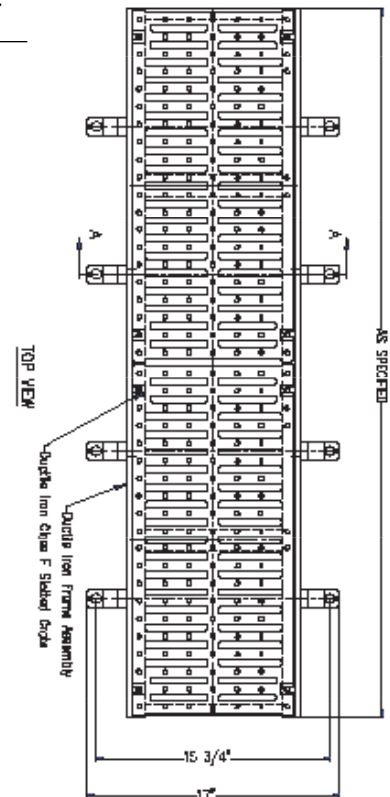
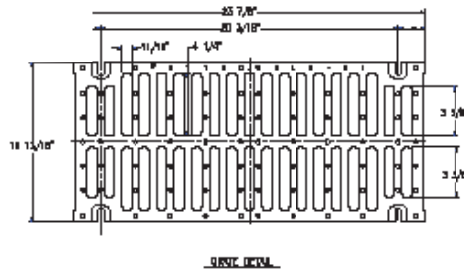
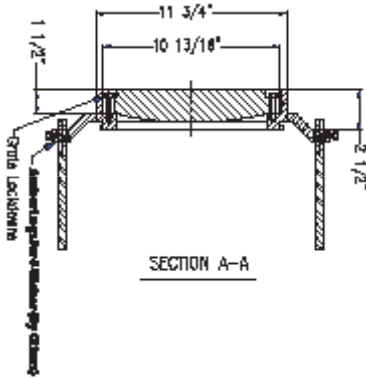
Catalog Number	Wt., lbs.	Description	Grate	List Price
DL-GF	16lbs./ft.	6" Wide Trench Grate & Frame	ductile iron	\$248.00/ft.
DLG-DI	14lbs.	5-1/8" x 24" Grate Only	ductile iron	282.00



DX-GF

12" Wide Ductile Iron Trench Grating with Frame

Catalog Number	Wt., lbs.	Description	Grate	List Price
DX-GF	32lbs./ft.	12" Wide Trench Grate & Frame	ductile iron	\$510.00/ft.
DLX-DI	57lbs.	10-3/4" x 24" Grate Only	ductile iron	660.00



Consult factory for all applications outside of listed parameters.  
Prices do not include applicable taxes.



# Roof Drains

**RD-100**

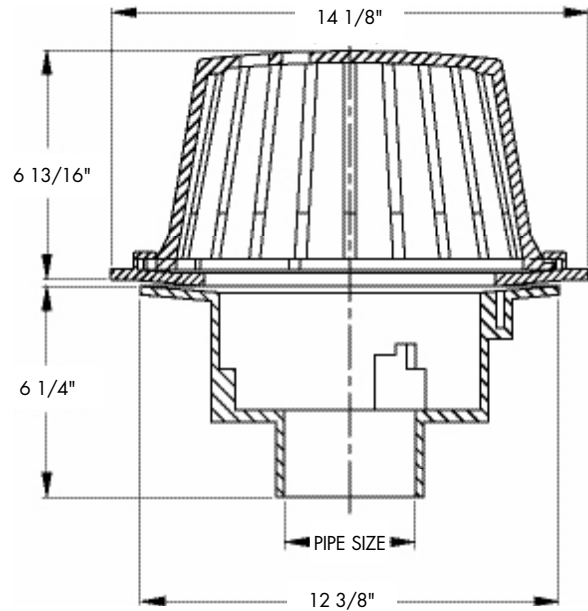
**Roof Drain**



Catalog Number	Outlet Size	Wt., lbs.	List Price
RD-102, 3, 4	2, 3, 4"	26	\$428.00
RD-105, 6	5, 6"	26	614.00



**Note:** Poly Dome Standard



**RD-100-F**

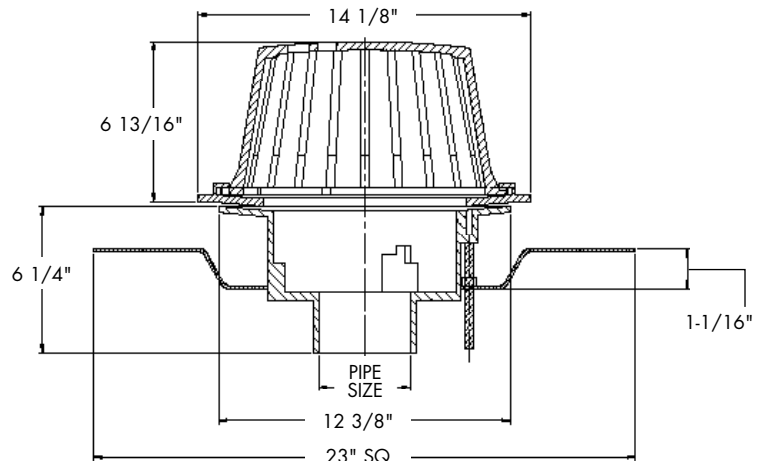
**Roof Drain with Adjustable Extension Flange**



Catalog Number	Outlet Size	Wt., lbs.	List Price
RD-102, 3, 4-F	2, 3, 4"	40	\$864.00
RD-105, 6-F	5, 6"	40	1050.00



**Note:** Poly Dome Standard



## Options for RD-100 Series:

Suffix	Option	List Price
None	No Hub	No Add
P	Push-On Outlet	No Add
T	Threaded Outlet	47.00
X	Inside Caulk Outlet	No Add
-60	PVC Body w/Socket Outlet (2,3,4,6" only)	No Add
-61	ABS Body w/Socket Outlet (2,3,4" only)	No Add
-13	Galvanized Body & Flashing Clamp	582.00
-A	Accutrol Flow Restrictor	714.00
-B	Sump Receiver	164.00
-D	Underdeck Clamp	146.00

Suffix	Option	List Price
-F	Adjustable Extension Flange	436.00
-GSS	Stainless Steel Ballast Guard	440.00
-K	Ductile Iron Dome	129.00
-K13	Galvanized Dome	245.00
-K40	Ductile Iron Low Dome (4" high)	129.00
-K80	Aluminum Dome	150.00
-K81	Rough Bronze Dome	503.00
-K83	SS Mesh Covered Aluminum Dome	455.00
-L	Vandal Proof Dome	75.00
-R	2" External Water Dam	141.00
-SO	Side Outlet (2,3,4" only)	223.00
-W	Adjustable Internal Water Dam	255.00



Consult factory for all applications outside of listed parameters.  
Prices do not include applicable taxes.

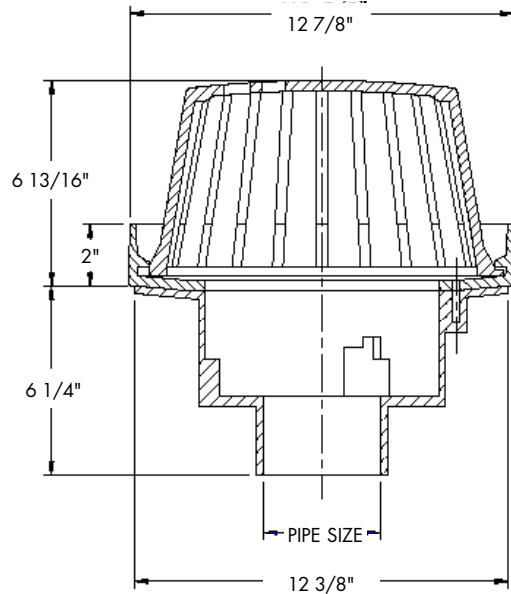
# Roof Drains

**RD-100-R**

**Overflow Roof Drain with 2" External Water Dam**



Catalog Number	Outlet Size	Wt., lbs.	List Price
RD-102, 3, 4-R	2, 3, 4"	27	\$569.00
RD-105, 6-R	5, 6"	27	755.00



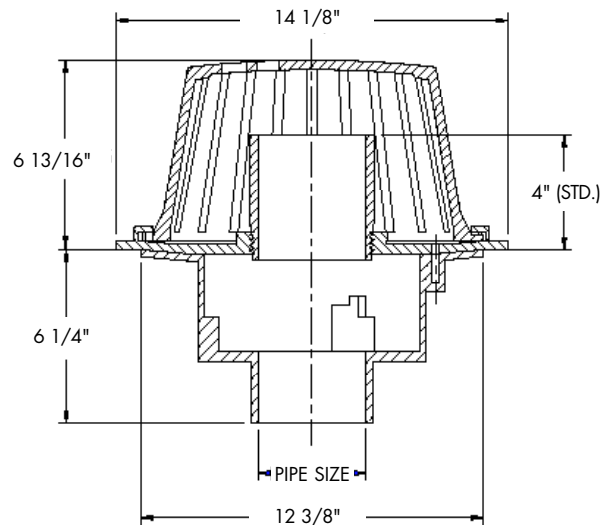
**Note:** Poly-Dome Standard

**RD-100-W**

**Overflow Roof Drain with Internal Standpipe**



Catalog Number	Outlet Size	Wt., lbs.	List Price
RD-102, 3, 4-W	2, 3, 4"	32	\$683.00
RD-105, 6-W	5, 6"	32	869.00



**Note:** Poly-Dome Standard

## Options for RD-100 Series:

Suffix	Option	List Price	Suffix	Option	List Price
None	No Hub	No Add	-F	Adjustable Extension Flange	436.00
P	Push-On Outlet	No Add	-GSS	Stainless Steel Ballast Guard	440.00
T	Threaded Outlet	47.00	-K	Ductile Iron Dome	129.00
X	Inside Caulk Outlet	No Add	-K13	Galvanized Dome	245.00
-60	PVC Body w/Socket Outlet (2,3,4,6" only)	No Add	-K40	Ductile Iron Low Dome (4" high)	129.00
-61	ABS Body w/Socket Outlet (2,3,4" only)	No Add	-K80	Aluminum Dome	150.00
-13	Galvanized Body & Flashing Clamp	582.00	-K81	Rough Bronze Dome	503.00
-A	Accutrol Flow Restrictor	714.00	-K83	SS Mesh Covered Aluminum Dome	455.00
-B	Sump Receiver	164.00	-L	Vandal Proof Dome	75.00
-D	Underdeck Clamp	146.00	-R	2" External Water Dam	141.00
			-SO	Side Outlet (2,3,4" only)	223.00
			-W	Adjustable Internal Water Dam	255.00

Consult factory for all applications outside of listed parameters.

Prices do not include applicable taxes.



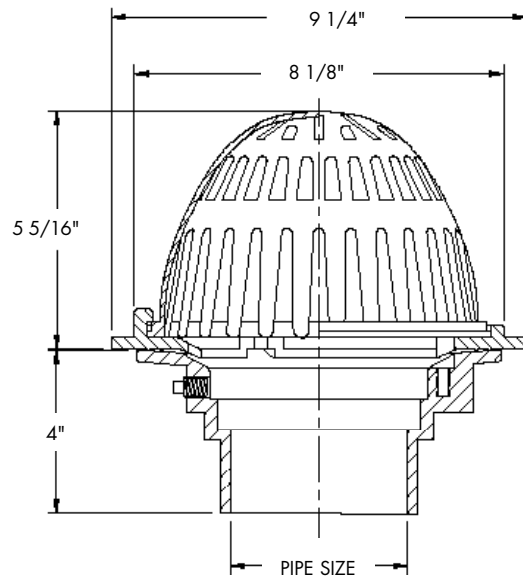
# Roof Drains

**RD-200**

**Small Area Roof Drain**



Catalog Number	Outlet Size	Wt., lbs.	List Price
RD-202, 3, 4	2, 3, 4"	15	\$322.00

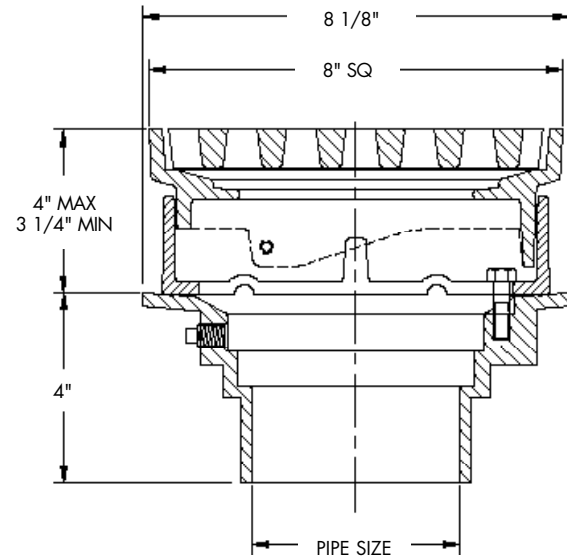


**RD-200-CP**

**Roof Drain with 8" x 8" Promenade Top**



Catalog Number	Outlet Size	Wt., lbs.	Grate	List Price
RD-202, 3, 4-CP	2, 3, 4"	22	ductile iron	\$500.00
RD-202, 3, 4-CP-1	2, 3, 4"	22	nickel bronze	759.00



## Options for RD-200 Series:

Suffix	Option	List Price	Suffix	Option	List Price
None	No Hub	No Add	-D	Underdeck Clamp	90.00
P	Push-On Outlet	No Add	-F	Adjustable Extension Flange	294.00
T	Threaded Outlet	47.00	-GSS	Stainless Steel Ballast Guard	281.00
X	Inside Caulk Outlet	No Add	-K	Ductile Iron Dome	NO ADD
-60	PVC Body Socket w/Socket Outlet	No Add	-K80	Aluminum Dome	106.00
-61	ABS Body Socket w/Socket Outlet	No Add	-K81	Bronze Dome	201.00
-6	Vandal Proof Top (RD-200-CP)	87.00	-L	Vandal Proof Dome	69.00
-12	Galvanized Top (RD-200-CP)	148.00	-R	2" External Water Dam	117.00
-13	Galvanized Body & Flashing Clamp	109.00	-SO	Side Outlet	111.00
-B	Sump Receiver	156.00	-W	Adjustable Internal Water Dam	226.00



Consult factory for all applications outside of listed parameters.  
Prices do not include applicable taxes.

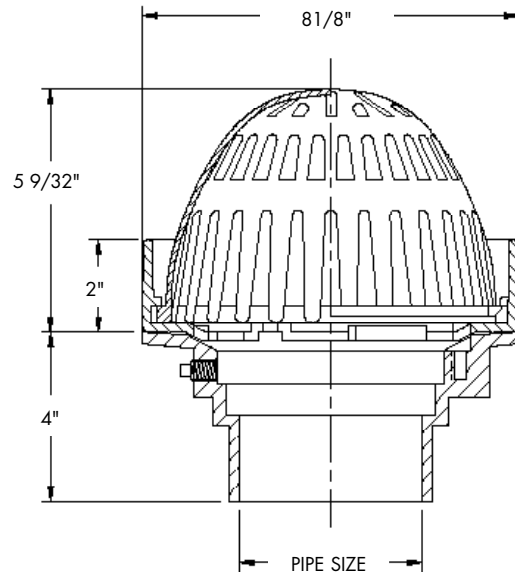
# Roof Drains

**RD-200-R**

**Overflow Roof Drain with 2" External Water Dam**



Catalog Number	Outlet Size	Wt., lbs.	List Price
RD-202, 3, 4-R	2, 3, 4"	25	\$439.00

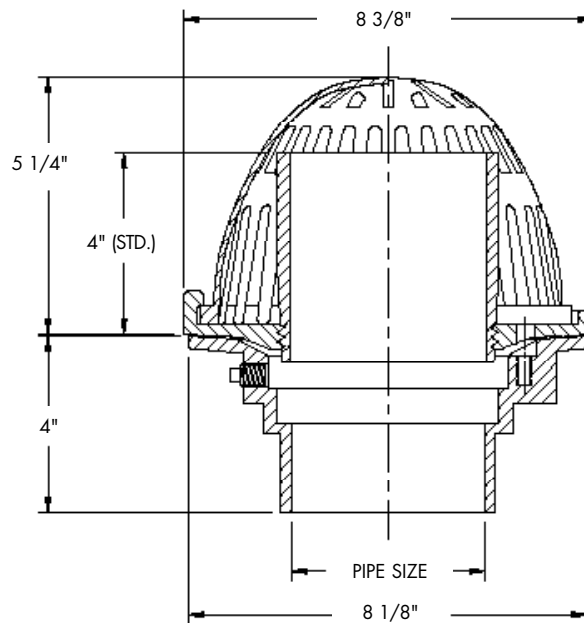


**RD-200-W**

**Overflow Roof Drain with Internal Standpipe**



Catalog Number	Outlet Size	Wt., lbs.	List Price
RD-202, 3, 4-W	2, 3, 4"	25	\$548.00



## Options for RD-200 Series:

Suffix	Option	List Price	Suffix	Option	List Price
None	No Hub	No Add	-D	Underdeck Clamp	90.00
P	Push-On Outlet	No Add	-F	Adjustable Extension Flange	294.00
T	Threaded Outlet	47.00	-GSS	Stainless Steel Ballast Guard	281.00
X	Inside Caulk Outlet	No Add	-K	Ductile Iron Dome	NO ADD
-60	PVC Body Socket w/Socket Outlet	No Add	-K80	Aluminum Dome	106.00
-61	ABS Body Socket w/Socket Outlet	No Add	-K81	Bronze Dome	201.00
-6	Vandal Proof Top (RD-200-CP)	87.00	-L	Vandal Proof Dome	69.00
-12	Galvanized Top (RD-200-CP)	148.00	-R	2" External Water Dam	117.00
-13	Galvanized Body & Flashing Clamp	109.00	-SO	Side Outlet	111.00
-B	Sump Receiver	156.00	-W	Adjustable Internal Water Dam	226.00

Consult factory for all applications outside of listed parameters.  
Prices do not include applicable taxes.

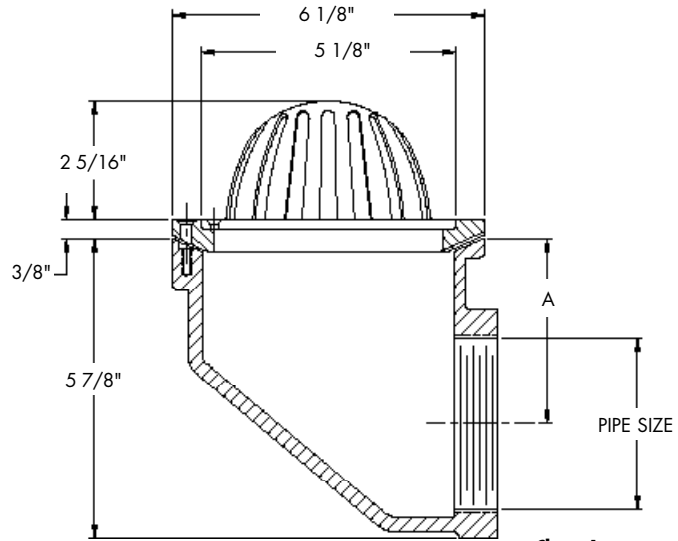


# Balcony Drains

**RD-230**

**Side Outlet Balcony Drain**

Catalog Number	Outlet Size	Wt., lbs.	List Price
RD-232,3,4"	2, 3, 4"	10	\$436.00



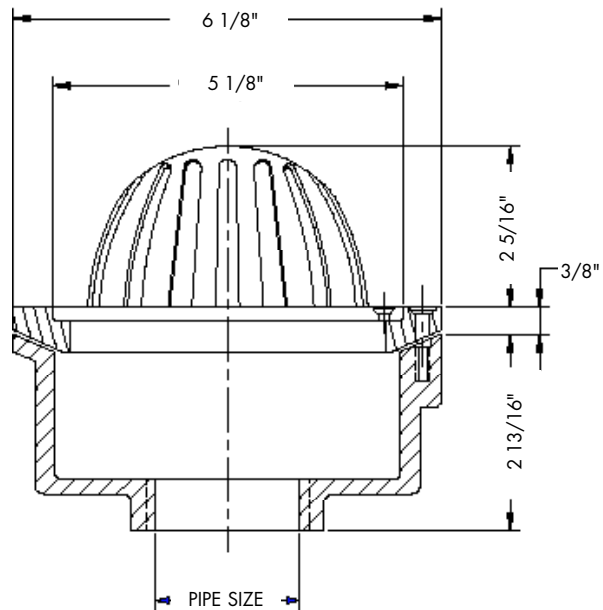
**Chart A**

Size	A
2"	4-5/16"
3"	3-5/8"
4"	3-1/8"

**RD-240**

**Bottom Outlet Balcony Drain**

Catalog Number	Outlet Size	Wt., lbs.	List Price
RD-242, 3, 4	2, 3, 4"	7	\$481.00



## Options for RD-230/240 Series:

Suffix	Option	List Price
-6	Vandal Proof	33.00
-13	Galvanized Body & Flashing Clamp	100.00
-14	Flat Grate	No Add
-83	SS Screened Dome	144.00



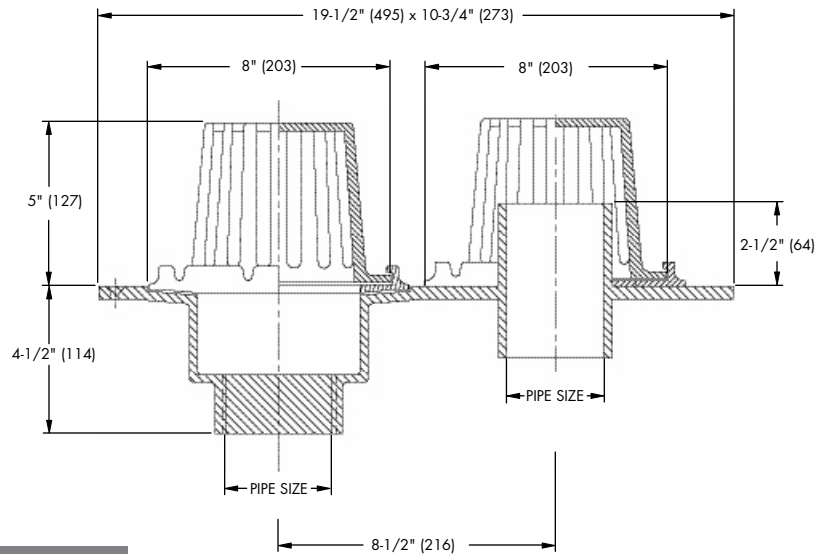
Consult factory for all applications outside of listed parameters.  
Prices do not include applicable taxes.

# Combination Roof Drains

**RD-250**

**Flanged Cast Iron Roof Drain/Overflow System**

Catalog Number	Outlet Size	Wt., lbs.	List Price
RD-252, 3, 4	2, 3, 4"	28	\$512.00



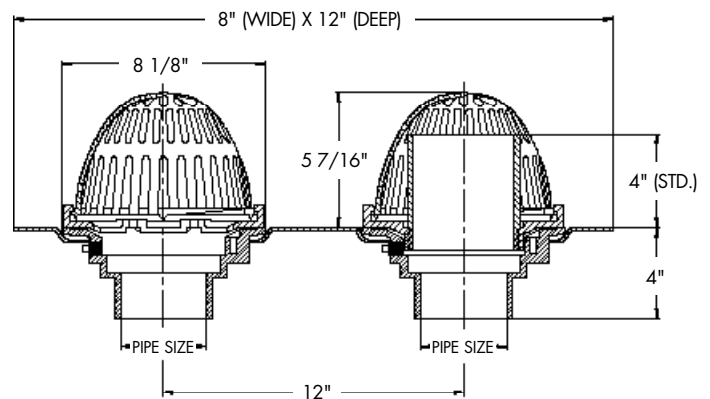
### Options for RD-250 Series:

Suffix	Options	List Price
-L	Vandal Proof	No Add

**RD-260**

**Roof Drain/Overflow System**

Catalog Number	Outlet Size	Wt., lbs.	List Price
RD-262, 3, 4	2, 3, 4"	36	\$697.00



### Options for RD-260 Series:

Suffix	Option	List Price	Suffix	Option	List Price
None	No Hub	No Add	-13	Galvanized Body & Flashing Clamp	218.00
P	Push-On Outlet	No Add	-D	Underdeck Clamp	180.00
T	Threaded Outlet	94.00	-GSS	Stainless Steel Ballast Guard	562.00
X	Inside Caulk Outlet	No Add	-K	Ductile Iron Dome	No Add
-36	16 x 32" Deck Flange	78.00	-K80	Aluminum Dome	212.00
-60	PVC Body Socket w/Socket Outlet	No Add	-L	Vandal Proof Dome	138.00
-61	ABS Body Socket w/Socket Outlet	No Add	-R	2" External Water Dam	No Add

Consult factory for all applications outside of listed parameters.  
Prices do not include applicable taxes.



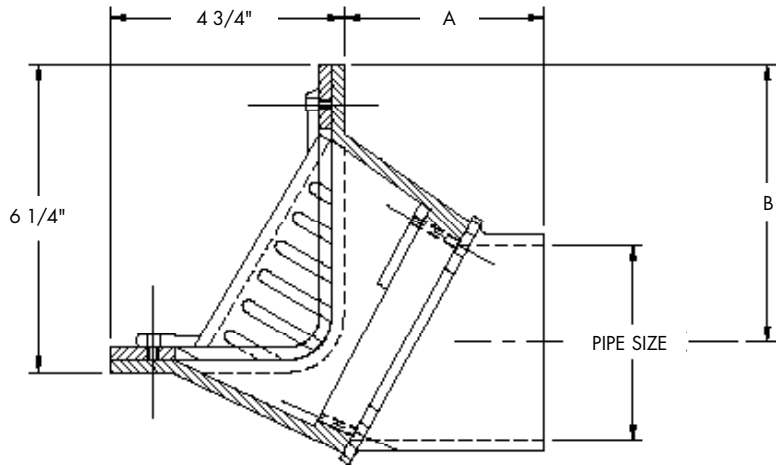


# Scupper Drains

**RD-270**

**Scupper Drain with Angle Grate**

Catalog Number	Outlet Size	Wt., lbs.	List Price
RD-272, 3, 4	2, 3, 4"	20	\$408.00
RD-276	6"	22	729.00

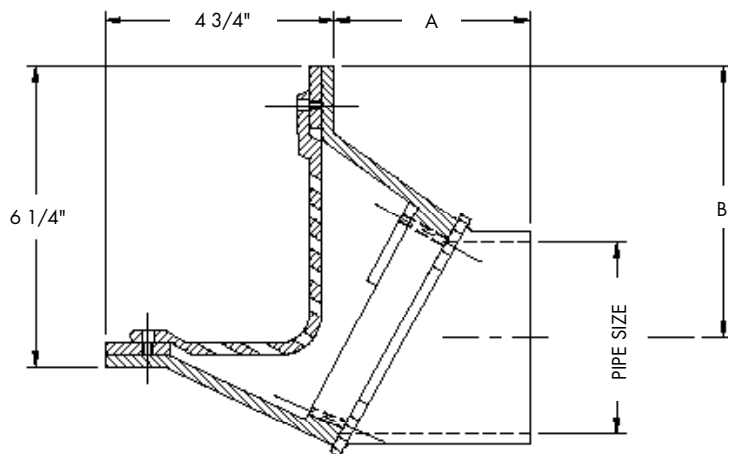


RD-270	NH		THD	
	A	B	A	B
2"	5-1/8	6-1/2	2-3/4	6
3"	4-1/2	5-3/4	2-3/4	5-3/8
4"	4	5-1/8	2-3/4	4-7/8

**RD-290**

**Scupper Drain with Flat Grate**

Catalog Number	Outlet Size	Wt., lbs.	List Price
RD-292, 3, 4	2, 3, 4"	24	\$408.00
RD-292	6"	26	729.00



RD-290	NH		THD	
	A	B	A	B
2"	5-1/8	6-1/2	2-3/4	6
3"	4-1/2	5-3/4	2-3/4	5-3/8
4"	4	5-1/8	2-3/4	4-7/8

**Options for RD-270 /290 Series:**

Suffix	Options	List Price
-A	45 degree Outlet (NH Only)	No Add
T	Threaded Outlet (2, 3, 4" Only)	No Add
-1	Nickel Bronze Grate & Frame	614.00
-6	Vandal Proof Grate	33.00
-13	Galvanized	145.00



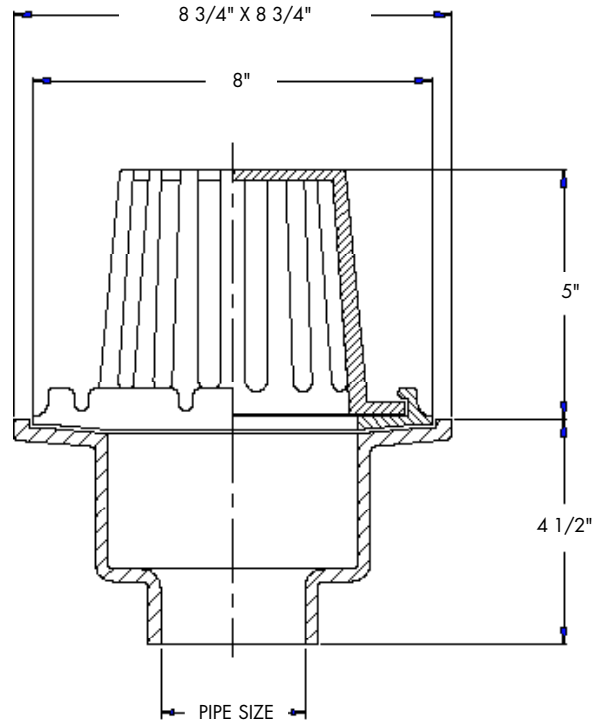
Consult factory for all applications outside of listed parameters.  
Prices do not include applicable taxes.

# Small Area Roof Drains

**RD-280**

**Flanged Cast Iron Roof Drain**

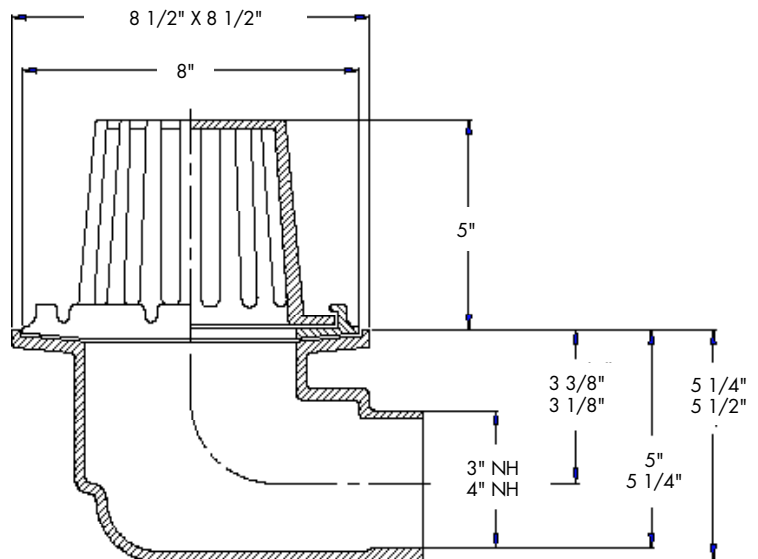
Catalog Number	Outlet Size	Wt., lbs.	List Price
RD-283, 4	3, 4"	16	\$321.00



**RD-280-SO**

**Flanged Cast Iron Roof Drain with Side Outlet**

Catalog Number	Outlet Size	Wt., lbs.	List Price
RD-283, 4-50	3, 4"	17	\$351.00



## Options for RD-280/280-SO Series:

Suffix	Option	List Price
-L	Vandal Proof Dome	No Add
-R	2" External Water Dam	103.00

Consult factory for all applications outside of listed parameters.  
Prices do not include applicable taxes.



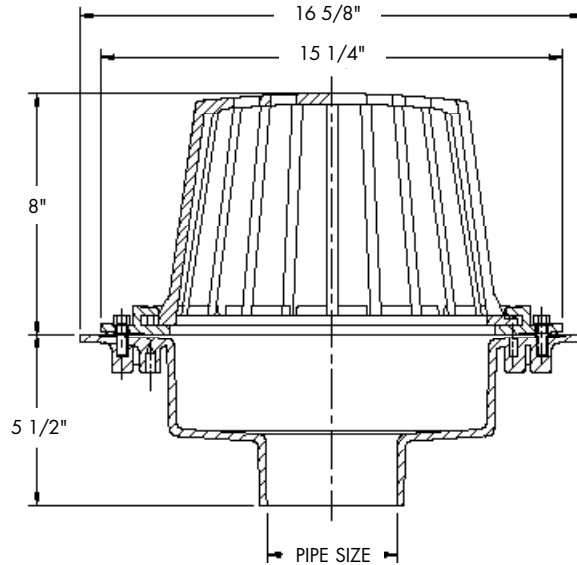
# High Volume Roof Drains

**RD-300**

**High Volume Roof Drain**



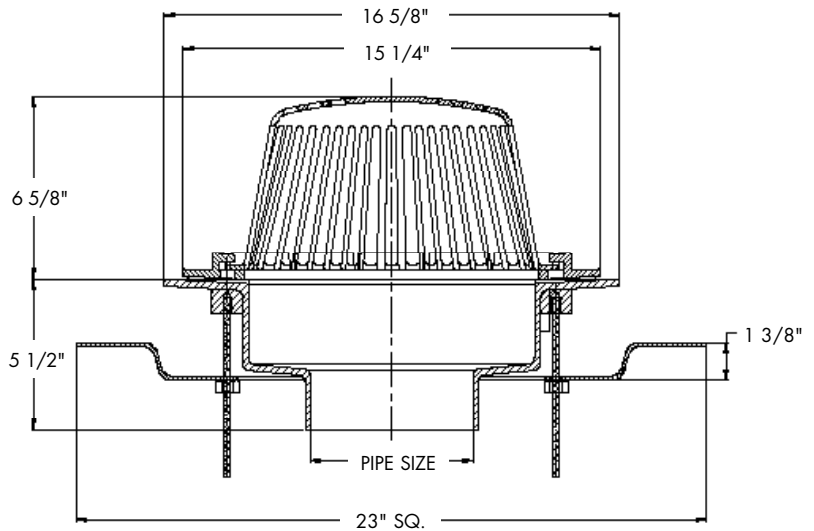
Catalog Number	Outlet Size	Wt., lbs.	List Price
RD-302, 3, 4	2, 3, 4"	30	\$428.00
RD-305, 6	5, 6"	30	614.00
RD-308, 10	8, 10"	30	798.00



**RD-300-F**

**Roof Drain with Adjustable Extension Flange**

Catalog Number	Outlet Size	Wt., lbs.	List Price
RD-302, 3, 4-F	2, 3, 4"	45	\$864.00
RD-305, 6-F	5, 6"	45	1050.00
RD-308, 10-F	8, 10"	45	1234.00



## Options for RD-300 Series:

Suffix	Option	List Price	Suffix	Option	List Price
-P	Push-On Outlet	No Add	-K13	Galvanized Dome	245.00
-X	Inside Caulk	No Add	-K40	Ductile Iron Low Dome (4" High)	129.00
-13	Galvanized Body and Clamp	582.00	-K80	Aluminum Dome	150.00
-B	Sump Receiver	164.00	-K81	Rough Bronze Dome	503.00
-D	Underdeck Clamp	146.00	-K83	SS Mesh Covered Aluminum Dome	455.00
-F	Adjustable Extension Flange	436.00	-L	Vandal Proof Dome	75.00
-GSS	Stainless Steel Ballast Guard	440.00	-R	2" External Water Dam	141.00
-K	Ductile Iron Dome	129.00	-W	4" Internal Water Dam	255.00



Consult factory for all applications outside of listed parameters.  
Prices do not include applicable taxes.

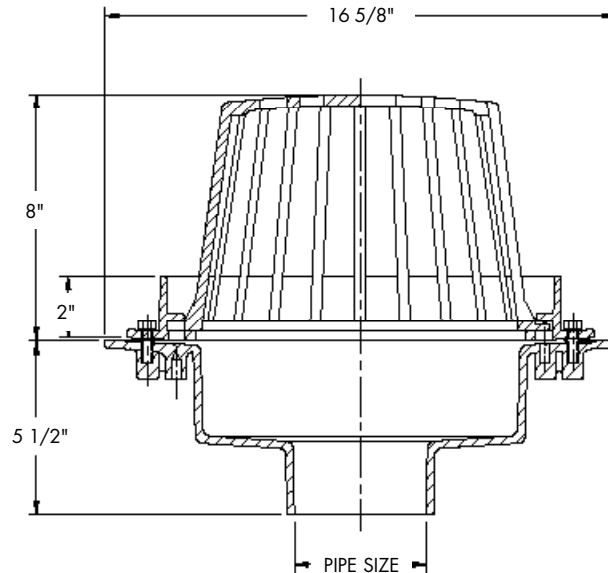
# High Volume Roof Drains

**RD-300-R**

**Overflow Roof Drain with 2" External Water Dam**



Catalog Number	Outlet Size	Wt., lbs.	List Price
RD-302, 3, 4-R	2, 3, 4"	32	\$569.00
RD-305, 6-R	5, 6"	32	755.00
RD-308, 10-R	8, 10"	32	939.00

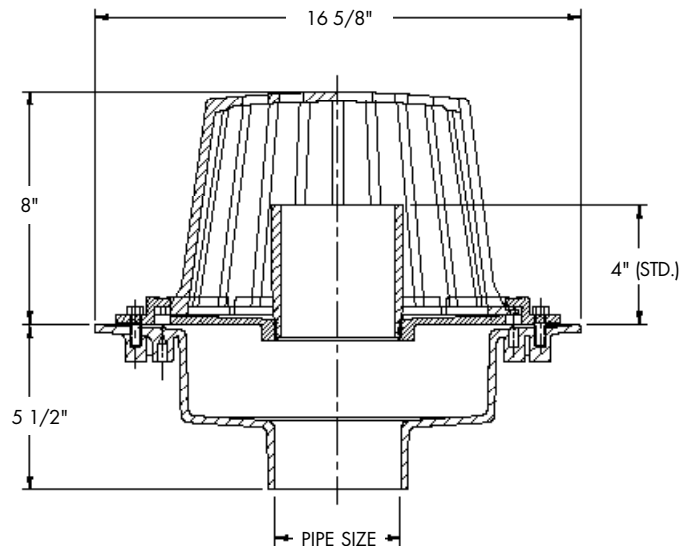


**RD-300-W**

**Overflow Roof Drain with 2" Internal Standpipe**



Catalog Number	Outlet Size	Wt., lbs.	List Price
RD-302, 3, 4-W	2, 3, 4"	37	\$683.00
RD-305, 6-W	5, 6"	37	869.00
RD-308, 10-W	8, 10"	37	1053.00



## Options for RD-300 Series:

Suffix	Option	List Price	Suffix	Option	List Price
-P	Push-On Outlet	No Add	-K13	Galvanized Dome	245.00
-X	Inside Caulk	No Add	-K40	Ductile Iron Low Dome (4" High)	129.00
-13	Galvanized Body and Clamp	582.00	-K80	Aluminum Dome	150.00
-B	Sump Receiver	164.00	-K81	Rough Bronze Dome	503.00
-D	Underdeck Clamp	146.00	-K83	SS Mesh Covered Aluminum Dome	455.00
-F	Adjustable Extension Flange	436.00	-L	Vandal Proof Dome	75.00
-GSS	Stainless Steel Ballast Guard	440.00	-R	2" External Water Dam	141.00
-K	Ductile Iron Dome	129.00	-W	4" Internal Water Dam	255.00

Consult factory for all applications outside of listed parameters.

Prices do not include applicable taxes.

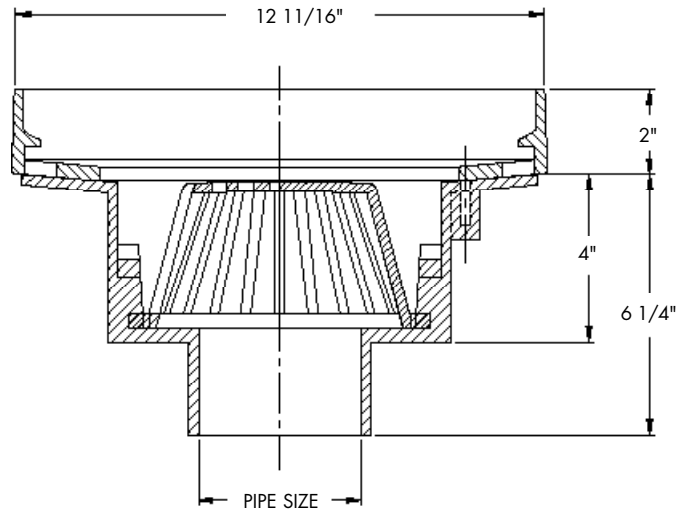


# Deck Receptor Drain

**RD-400**

**12" Diameter Deck Receptor Drain**

Catalog Number	Outlet Size	Wt., lbs.	List Price
RD-402, 3, 4, 5, 6"	2, 3, 4, 5, 6"	28	\$569.00



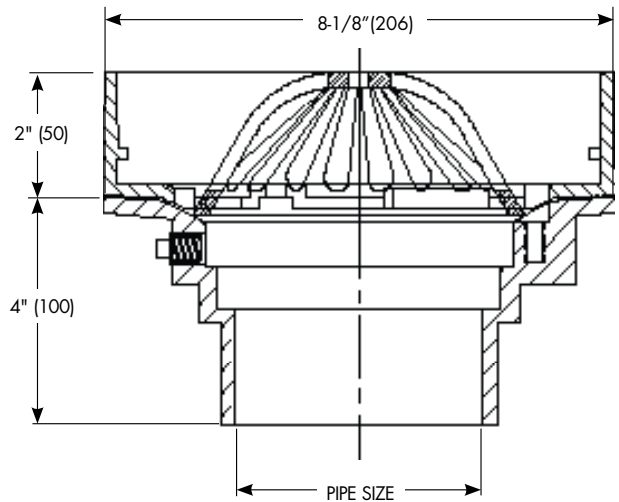
### Options for RD-400 Series:

Suffix	Options	List Price
None	No Hub	No Add
P	Push-On Outlet	No Add
T	Threaded Outlet	47.00
X	Inside Caulk Outlet	No Add
-B	Sump Receiver	164.00
-D	Underdeck Clamp	146.00
-F	Adjustable Extension Flange	436.00
-L	Vandal Proof Dome	75.00
-13	Galvanized	540.00

**RD-410**

**8" Diameter Deck Receptor Drain**

Catalog Number	Outlet Size	Wt., lbs.	List Price
RD-412,3,4	2,3,4"	15	\$362.00



### Options for RD-410 Series:

Suffix	Option	List Price	Suffix	Option	List Price
None	No Hub	No Add	-B	Sump Receiver	156.00
P	Push-On Outlet	No Add	-D	Underdeck Clamp	90.00
T	Threaded Outlet	47.00	-F	Adjustable Extension Flange	294.00
X	Inside Caulk Outlet	No Add	-L	Vandal Proo	69.00
-13	Galvanized Body & Flashing Clamp	109.00	-50	Side Outlet	111.00



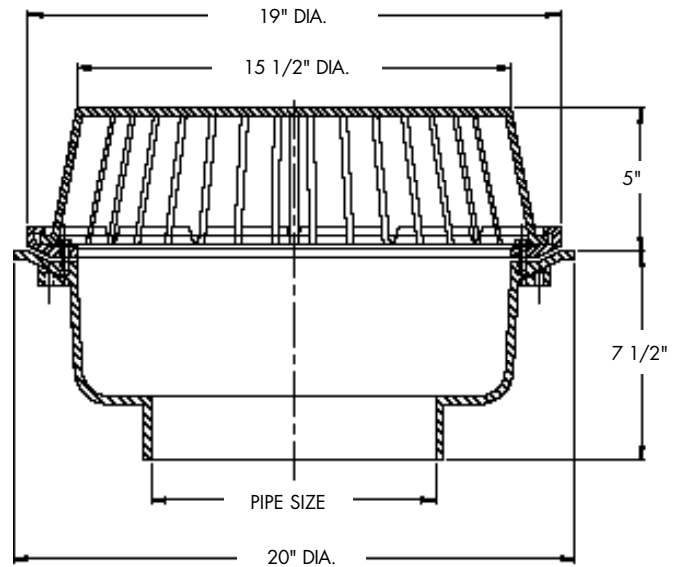
Consult factory for all applications outside of listed parameters.  
Prices do not include applicable taxes.

# Specialty Roof Drains

**RD-500**

**Super Max 12" Roof Drain**

Catalog Number	Outlet Size	Wt., lbs.	List Price
RD-500	12"	52	\$1351.00



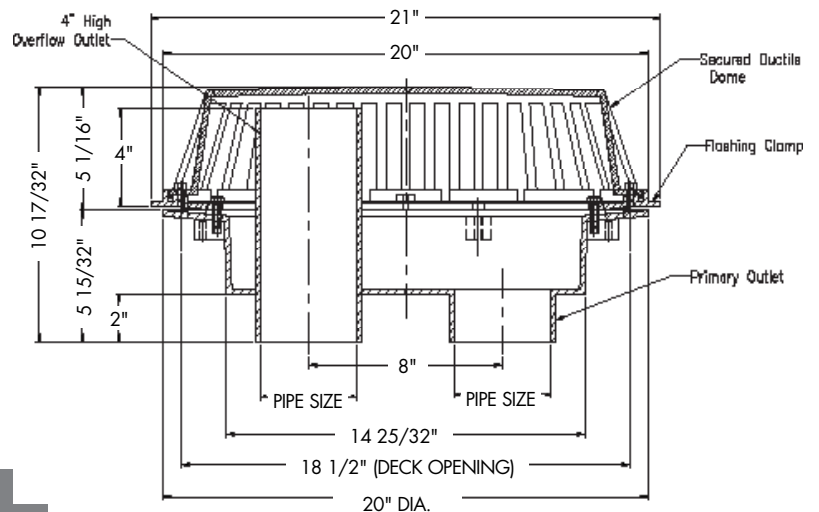
### Options for RD-500 Series:

Suffix	Option	List Price
-B	Sump Receiver	168.00
-D	Underdeck Clamp	148.00
-F	Adjustable Extension Flange	432.00
-L	Vandal Proof Dome	78.00
-R	2" External Water Dam	142.00
-W	2" Internal Water Dam	258.00

**RD-700**

**Dual Outlet Roof Drain/Overflow**

Catalog Number	Outlet Size	Wt., lbs.	List Price
RD-703,4	3.4"	49	\$1295.00
RD-706	6"	49	1555.00



### Options for RD-700 Series:

Suffix	Option	List Price
-B	Sump Receiver	168.00
-D	Underdeck Clamp	146.00
-F	Adjustable Extension Flange	254.00
-K80	Aluminum Dome	No Add
-L	Vandal Proof Dome	76.00
-W2	2" High Overflow	No Add

Consult factory for all applications outside of listed parameters.  
Prices do not include applicable taxes.



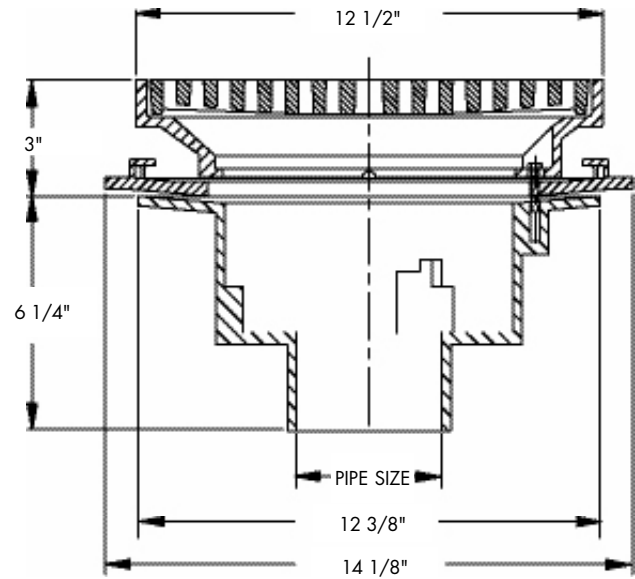
# Roof Drains

## RD-100-CP

### Roof Drain with 12" x 12" Promenade Top



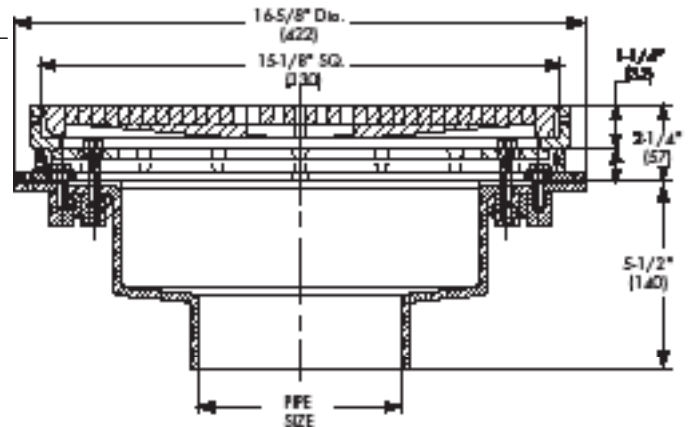
Catalog Number	Outlet Size	Wt., lbs.	Grate	List Price
RD-102, 3, 4-CP	2, 3, 4"	80	ductile iron	\$656.00
RD-102, 3, 4-CP-1	2, 3, 4"	80	nickel bronze	1105.00
RD-105, 6-CP	5, 6"	80	ductile iron	656.00
RD-105, 6-CP-1	5, 6"	80	nickel bronze	1105.00



## RD-300-CP15

### Roof Drain with 15" x 15" Promenade Top

Catalog Number	Outlet Size	Wt., lbs.	Grate	List Price
RD-302,3,4-CP15	2, 3, 4"	110	ductile iron	\$733.00
RD-302,3,4-CP15-1	2, 3, 4"	110	nickel bronze	1345.00
RD-305,6-CP15	5,6"	110	ductile iron	907.00
RD-305,6-CP15-1	5,6"	110	nickel bronze	1520.00
RD-305,6,8-CP15	5,6,8"	110	nickel bronze	1520.00
RD-305,6,8-CP15-1	5,6,8"	110	nickel bronze	1520.00



### Options for RD-100-CP/RD-300-CP15 Series:

Suffix	Option	List Price
None	No Hub	No Add
P	Push-On Outlet	No Add
T	Threaded Outlet (RD-100-CP only)	47.00
X	Inside Caulk Outlet (RD-100-CP only)	No Add
-6	Vandal Proof	87.00
-9	Hinged Grate	137.00
-12	Galvanized Top	482.00
-13	Galvanized Body & Flashing Clamp	520.00

Suffix	Option	List Price
-85	4" SS Perforated Extension (RD-100-CP Only)	380.00
-B	Sump Receiver	164.00
-D	Underdeck Clamp	146.00
-E	1/4" Stackable Spacer (RD-300-CP Only)	34.00
-E1	1" Stackable Clamp (RD-300-CP Only)	48.00
-F	Adjustable Extension Flange	436.00
-S0	Side Outlet (RD-100-CP 2,3,4" only)	223.00



Consult factory for all applications outside of listed parameters.  
Prices do not include applicable taxes.

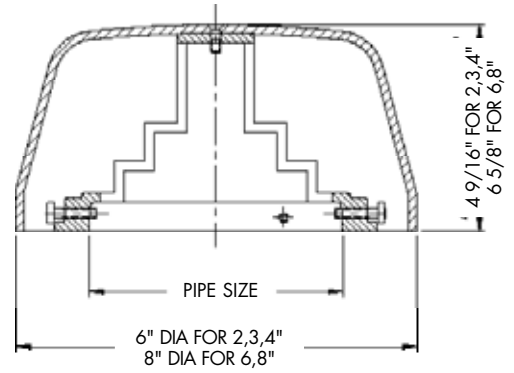


# Vent Cap/Expansion Coupling

**RD-680-VC**

**Vent Cap**

Catalog Number	Outlet Size	Wt., lbs.	List Price
RD-68234-VC	2, 3, 4"	7	\$286.00
RD-686-VC	6"	15	408.00
RD-688-VC	8"	15	467.00



## Options for RD-680-VC Series:

Suffix	Options	List Price
-13	Galvanized	102.00

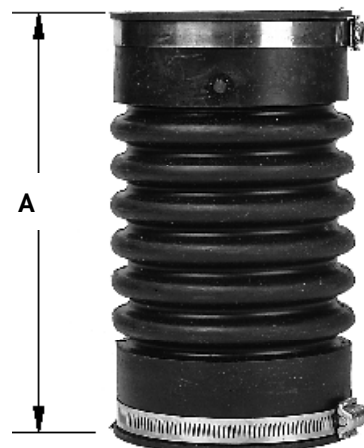
**RD-900**

**Neoprene Expansion Coupling**

Catalog Number	Outlet Size	Wt., lbs.	List Price
RD-902	2"	1	\$180.00
RD-903	3"	1	210.00
RD-904	4"	2	246.00

**Chart A**

Pipe Size	Height
2"	7-1/8"
3"	8-1/8"
4"	8-5/8"



Consult factory for all applications outside of listed parameters.

Prices do not include applicable taxes.



# Downspout Nozzles

RD-940

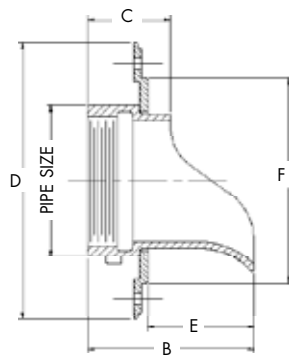
Downspout Nozzle

Catalog Number	Outlet Size	Wt., lbs.	List Price
RD-942, 3, 4"	2, 3, 4"	12	\$656.00
RD-945, 6	5, 6"	18	1179.00
RD-948	8"	22	1614.00
RD-9410-NH	10"	25	2107.00
RD-9412-NH	12"	29	2608.00

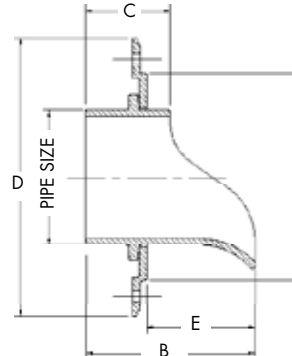


## Options for RD-940 Series:

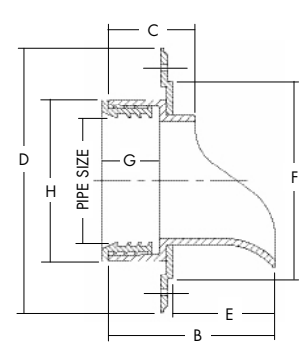
Suffix	Options	List Price
-83	Stainless Steel Bird Screen	334.00
-NH	No Hub	No Add
-P	Push-on connection (3,4,6,8" only)	No Add



IPS



No-Hub



Push-On

### IPS THREADED CONNECTION

Model	Pipe Size	B	C	D	E	F
RD-942	2" (51)	5-1/4" (133)	2-1/4" (57)	6-3/4" (171)	3-1/2" (89)	4-3/4" (121)
RD-943	3" (80)	5-1/4" (133)	2-1/2" (63)	8-1/4" (210)	3-1/2" (89)	6-3/8" (162)
RD-944	4" (100)	5-1/4" (133)	2-3/4" (70)	9-1/8" (232)	3-1/2" (89)	7" (178)
RD-946	6" (150)	5-1/4" (133)	2-3/4" (70)	11-3/8" (289)	3-1/2" (89)	9" (229)
RD-948	8" (200)	6" (152)	3" (76)	13-3/8" (340)	4" (102)	10-3/4" (273)

### NO HUB CONNECTION

Model	Pipe Size	B	C	D	E	F
RD-942-NH	2" (51)	5-1/4" (133)	2-1/4" (57)	6-3/4" (171)	3-1/2" (89)	4-3/4" (121)
RD-943-NH	3" (80)	5-1/4" (133)	2-1/2" (63)	8-1/4" (210)	3-1/2" (89)	6-3/8" (162)
RD-944-NH	4" (100)	5-1/4" (133)	2-3/4" (70)	9-1/8" (232)	3-1/2" (89)	7" (178)
RD-945-NH	5" (130)	5-1/4" (133)	3" (76)	9-1/4" (235)	3-3/8" (86)	7-1/4" (184)
RD-946-NH	6" (150)	5-1/4" (133)	2-3/4" (70)	11-3/8" (289)	3-1/2" (89)	9" (229)
RD-948-NH	8" (200)	6" (152)	3" (76)	13-3/8" (340)	4" (102)	10-3/4" (273)
RD-9410-NH	10" (250)	5-3/4" (146)	3" (76)	15-1/4" (387)	3-3/4" (95)	13-1/16" (332)
RD-9412-NH	12" (305)	6" (152)	3-1/4" (83)	17-1/4" (438)	3-3/4" (95)	15-1/16" (383)

### PUSH-ON CONNECTION

Model	Pipe Size	B	C	D	E	F	G	H
RD-943P	3" (80)	5-3/4" (146)	3" (80)	8-1/4" (210)	3-1/2" (89)	6" (152)	1-3/4" (44)	4-3/4" (121)
RD-944P	4" (100)	5-3/4" (146)	3" (80)	9-1/8" (232)	3-1/2" (89)	6-3/4" (171)	1-3/4" (44)	5-3/4" (146)
RD-946P	6" (152)	6" (152)	3-3/4" (95)	11-3/8" (289)	3-1/2" (89)	8-3/4" (171)	2" (51)	7-3/4" (197)
RD-948P	8" (200)	7" (178)	4" (102)	13-3/8" (340)	34" (102)	10-3/4" (273)	2-1/2" (63)	10" (254)



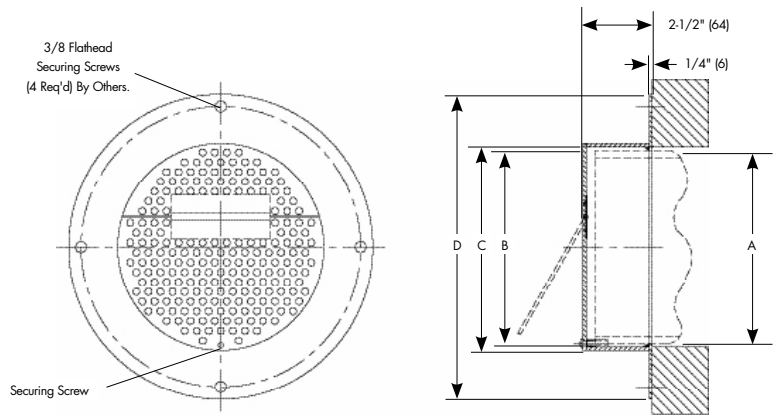
Consult factory for all applications outside of listed parameters.  
Prices do not include applicable taxes.

# Downspout Nozzles

**RD-950**

**Stainless Steel Downspout Cover**

Catalog Number	Outlet Size	Wt., lbs.	List Price
RD-953,4	3,4"	8	\$1769.00
RD-956	6"	9	1868.00
RD-958	8"	10	1959.00
RD-9510	10"	12	2073.00
RD-9512	12"	14	2197.00



## Options for RD-950 Series:

Suffix	Options	List Price
-6	Vandal Proof	90.00

**RD-970/980**

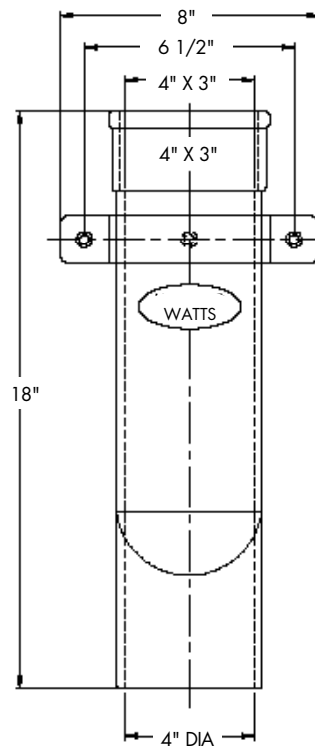
**Downspout Nozzle**

Catalog Number	Size	Wt., lbs.	List Price
RD-970	4" x 3"	20	\$501.00
RD-980	5" x 4"	30	799.00

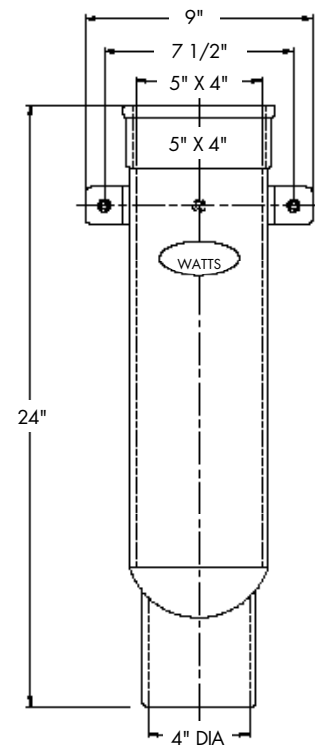


RD-970

RD-980



RD-970



RD-980

Consult factory for all applications outside of listed parameters.  
Prices do not include applicable taxes.



# Grease Interceptors

## Grease Interceptor Sizing

### General Procedure

#### To Determine the Flow Rate of Each Sink:

1. Calculate the capacity of the sink in cubic inches  $\text{length} \times \text{width} \times \text{depth} = \text{_____ cu. in.}$
2. Convert the capacity from cubic inches to gallons per minute (GPM)  $\text{... _____ cu. in.} \div 231 = \text{_____ GPM.}$
3. Adjust for displacement  $\text{... _____ GPM} \times .75 = \text{_____ GPM.}$
4. **Result is the flow rate required to drain the sink in one minute.\***  
*\*Note: If drain down time is not critical, an interceptor with a lesser flow rate up to 1/2 the calculated flow rate may be specified.*

#### Example:

Three compartment pot sink, each compartment 12" x 12" x 15"

1.  $12" \times 12" \times 15" = 2160 \text{ cu. in.} \times 3 \text{ comp.} = 6480 \text{ cu. in.}$
2.  $6480 \text{ cu. in.} \div 231 = 28 \text{ GPM}$
3.  $28 \text{ GPM} \times .75 = 21 \text{ GPM}$

A **20 GPM interceptor** would permit the sink to drain in slightly more than one minute.

### Sizing for Multiple Fixtures:

1. Determine the flow rate for each fixture to be serviced by the interceptor.
2. Add together 100% of the largest flow rate, 50% of the second largest and 25% of all others.
3. **Result is the recommended flow rate of the interceptor.**

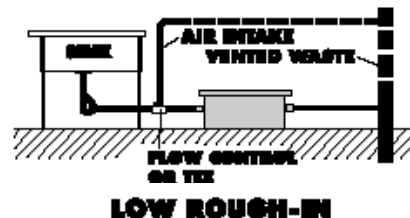
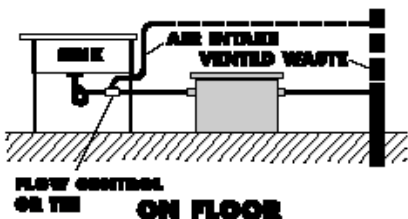
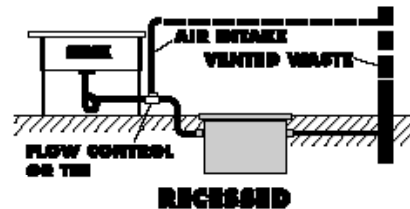
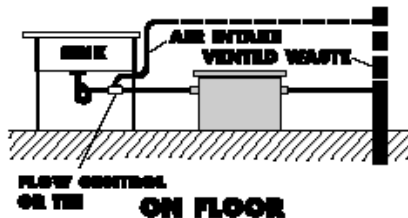
#### Example:

1. Fixture A: 35 GPM Flow Rate  
 Fixture B: 26 GPM Flow Rate  
 Fixture C: 18 GPM Flow Rate  
 Fixture D: 12 GPM Flow Rate
2.  $35 \text{ GPM (A)} \times 100\% = 35 \text{ GPM}$   
 $26 \text{ GPM (B)} \times 50\% = 13 \text{ GPM}$   
 $30 \text{ GPM (C + D)} \times 25\% = 7.5 \text{ GPM}$   
**Total Flow Rate = 55.5 GPM**

A **50 GPM interceptor** is recommended for this installation.



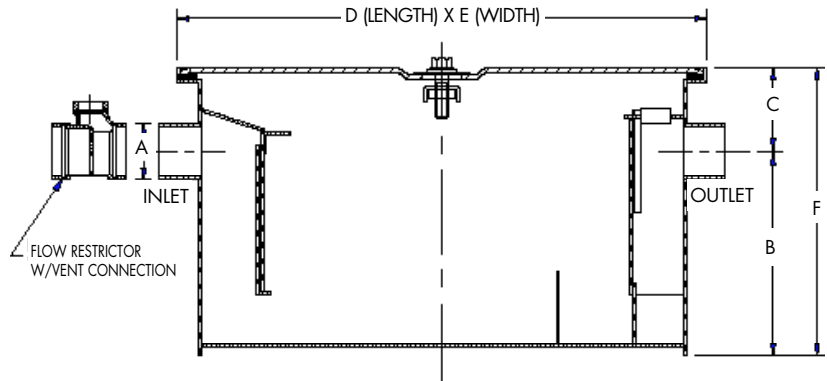
### Typical Interceptor Installations



# Grease Interceptors

WD Series

PDI Certified Grease Interceptor



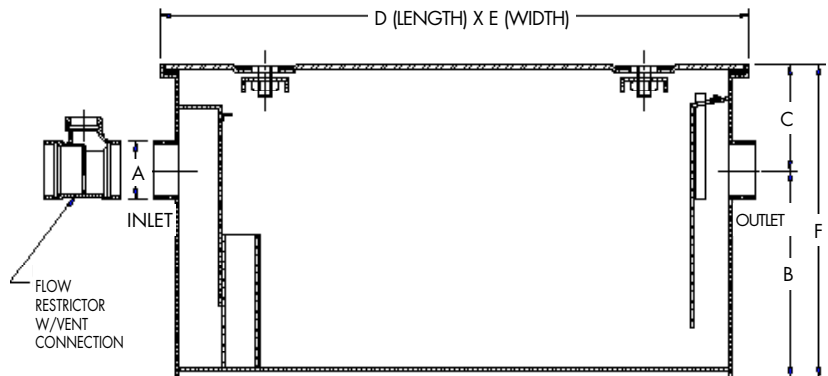
ISO 9001-2008  
CERTIFIED



Interceptor Catalog Number	List Price A.R.E.	-HD 10,000 Lbs. (Traffic Cover)	Flow Rate GPM	Grease Capacity Lbs.	A Inlet & Outlet	B Base to Center	C Top to Center	D Length	E Width	F Height
WD-4	\$1573.00	3640.00	04	08	2"	7-3/4"	3-1/4"	16"	10"	11"
WD-7	2182.00	3850.00	07	14	2"	8-1/2"	3-1/2"	18"	13"	12"
WD-10	2567.00	4482.00	10	20	2"	8-1/2"	3-1/2"	21-3/4"	14"	12"
WD-15	3802.00	4953.00	15	30	2"	10-1/2"	3-1/2"	22"	15"	14"
WD-20	4651.00	5188.00	20	40	3"	11-1/2"	3-1/2"	24"	15-3/4"	15"
WD-25	5228.00	5478.00	25	50	3"	12"	4-1/2"	26"	16-1/2"	16-1/2"
WD-35	6460.00	7538.00	35	70	3"	14"	5"	30"	18"	19"
WD-50	8555.00	8271.00	50	100	4"	16"	5-1/2"	32"	22"	21-1/2"

WD-L Series

PDI Certified Low-Rough-In Grease Interceptor



Interceptor Catalog Number	List Price A.R.E.	Flow Rate GPM	Grease Capacity Lbs.	A Inlet & Outlet	B Base to Center	C Top to Center	D Length	E Width	F Height
WD-20-L	\$6273.00	20	40	3"	7-3/4"	4"	35"	23"	12"
WD-35-L	8077.00	35	70	4"	7"	4-1/2"	41"	33"	12"
*WD-50-L	13,686.00	50	100	4"	8-1/2"	5-1/2"	55"	33"	14"

\*Note: WD-50-L Not PDI Certified

## Options for WD & WD-L Series:

Suffix	Option	List Price	Suffix	Option	List Price
-B	Sediment Bucket	1282.00	-O	Inlet & Outlet other than Standard Size	406.00
-E	Extension Up to 12"	2332.00	-SS	All Stainless Steel	P.O.A.
	Extension over 12", add per inch	196.00	-THD	Threaded Connections	No Add
-FC	Flange & Clamp Device	1117.00			

Consult factory for all applications outside of listed parameters.

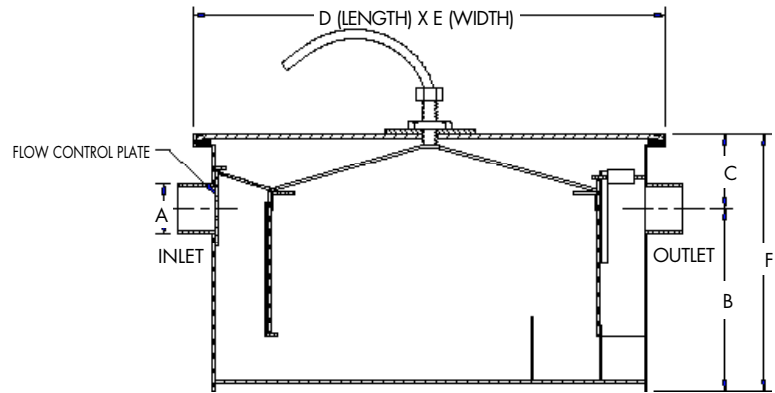
Prices do not include applicable taxes.



# Grease Interceptors

WD-A Series

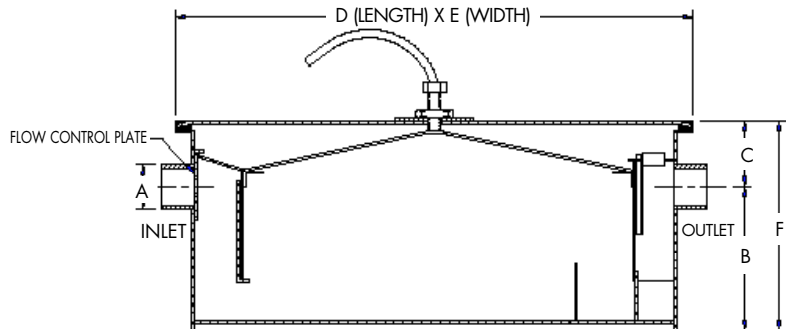
Semi-Automatic Draw-Off Grease Interceptor



Interceptor Catalog Number	List Price A.R.E.	Flow Rate GPM	Grease Capacity Lbs.	A Inlet & Outlet	B Base to Center	C Top to Center	D Length	E Width	F Height
WD-7-A	\$5586.00	7	14	2"	8-1/2"	3-1/2"	18"	13"	12"
WD-10-A	6605.00	10	20	2"	8-1/2"	3-1/2"	21-3/4"	14"	12"
WD-15-A	7038.00	15	30	2"	10-1/2"	3-1/2"	22"	15"	14"
WD-20-A	9047.00	20	40	3"	11-1/2"	3-1/2"	24"	15-3/4"	15"
WD-25-A	10,493.00	25	50	3"	12"	4-1/2"	26"	16-1/2"	16-1/2"
WD-35-A	10,768.00	35	70	3"	14"	5"	30"	18"	19"
WD-50-A	12,293.00	50	100	4"	16"	5-1/2"	32"	22"	21-1/2"
WD-75-A	14,622.00	75	150	4"	18-1/2"	5-1/2"	36"	24"	24"

WD-LA Series

Low Rough-In Semi-Automatic Draw-Off Grease Interceptor



Interceptor Catalog Number	List Price A.R.E.	Flow Rate GPM	Grease Capacity Lbs.	A Inlet & Outlet	B Base to Center	C Top to Center	D Length	E Width	F Height
WD-20-LA	\$10,435.00	20	40	3"	7-3/4"	4"	35"	23"	12"
WD-35-LA	14,713.00	35	70	4"	7"	4-1/2"	41"	33"	12"

Options for WD-A, WD-LA, WD-AH Series:

Suffix	Option	List Price
-0	Inlet & Outlet other than Standard Size	406.00
-SS	All Stainless Steel	P.O.A.

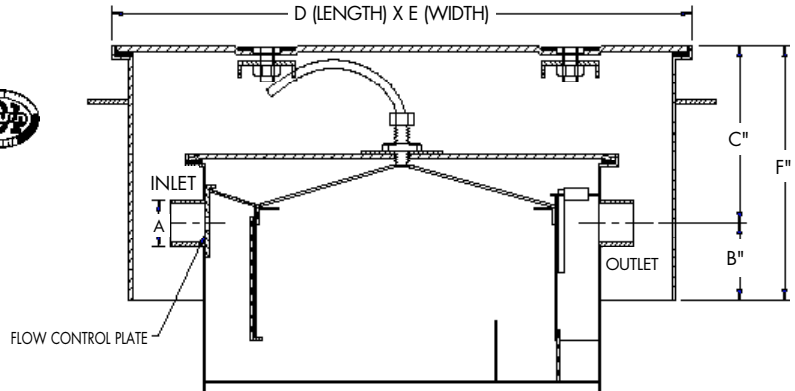


Consult factory for all applications outside of listed parameters.  
Prices do not include applicable taxes.

# Grease Interceptors

WD-AH Series

Semi-Automatic Draw-Off Grease Interceptor with Access Housing



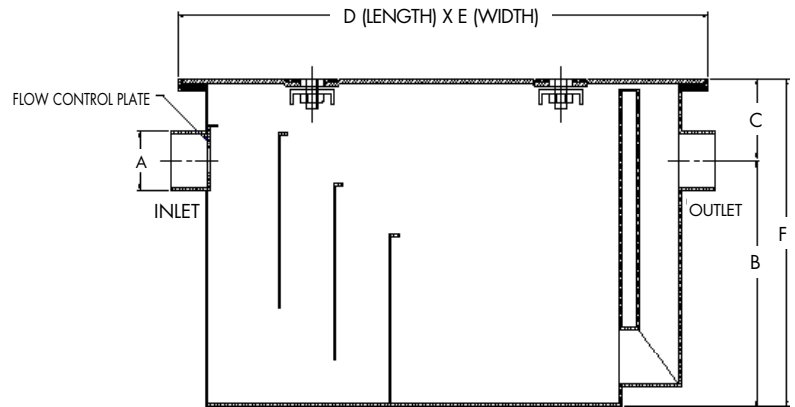
Interceptor Catalog Number	List Price A.R.E.	Flow Rate GPM	Grease Capacity Lbs.	A Inlet & Outlet	B Base to Center		C Top to Center		D Length	E Width	F Height
					Min.	Max.	Min.	Max.			
WD-7-AH	\$10,082.00	7	14	2"	V	5-1/2"	5-1/4"	13-1/4"	35"	18-1/2"	12"
WD-10-AH	11,826.00	10	20	2"	A	5-1/2"	5-1/4"	13-1/4"	39"	19-1/2"	12"
WD-15-AH	12,840.00	15	30	2"	R	5-1/2"	5-1/4"	13-1/4"	39"	20-1/2"	12"
WD-20-AH	14,944.00	20	40	3"	I	5-1/2"	5-1/4"	13-1/4"	41"	21-1/2"	12"
WD-25-AH	16,502.00	25	50	3"	A	4-1/2"	6-1/4"	14-1/4"	43"	22"	12"
WD-35-AH	17,190.00	35	70	3"	B	4"	6-3/4"	14-3/4"	47"	23-1/2"	12"
WD-50-AH	18,770.00	50	100	4"	L	3-1/2"	7-1/4"	15-1/4"	49"	27-1/2"	12"
WD-75-AH	22,498.00	75	150	4"	E	3-1/2"	7-3/4"	15-3/4"	53"	29-1/2"	12"

For Options, see page 66.

(Housing dimensions only; for Interceptor only dimensions, see WD-A Series)

GI-K Series

Large Capacity Grease Interceptor



Interceptor Catalog Number	List Price	-HD 10,000 lbs. (Traffic Cover)	Flow Rate GPM	Grease Capacity Lbs.	A Inlet & Outlet	B Base to Center	C Top to Center	D Length	E Width	F Height
GI-75-K	\$17,241.00	5478.00	75	150	4"	18-1/2"	4-1/2"	39-3/4"	30-3/4"	23"
GI-100-K	19,401.00	7538.00	100	200	4"	28-1/2"	4-1/2"	39-3/4"	30-3/4"	33"
GI-150-K	21,549.00	9680.00	150	300	4"	38-1/2"	4-1/2"	39-3/4"	30-3/4"	43"
GI-200-K	31,251.00	11,040.00	200	400	4"	36-1/2"	6-1/2"	52"	34"	43"
GI-250-K	36,389.00	15,239.00	250	500	4"	39-1/2"	6-1/2"	52"	34"	46"
GI-300-K	42,888.00	19,564.00	300	600	6"	38"	10"	76"	48"	48"
GI-400-K	52,478.00	26,567.00	400	800	6"	42"	10"	83"	55"	52"
GI-500-K	62,115.00	32,459.00	500	1000	6"	53"	10"	91"	60"	63"

Options for GI-K Series:

Suffix	Description	List Price	Suffix	Description	List Price
-B	Sediment Bucket	2310.00	-O	Inlet & Outlet other than Standard Size	406.00
-E	Extension Up to 12"	3000.00	-SS	All Stainless Steel	P.O.A
	Extension over 12", add per inch	250.00	-THD	Threaded Connections	No Add
-FC	Flange & Clamp Device	2380.00			

Consult factory for all applications outside of listed parameters.

Prices do not include applicable taxes.





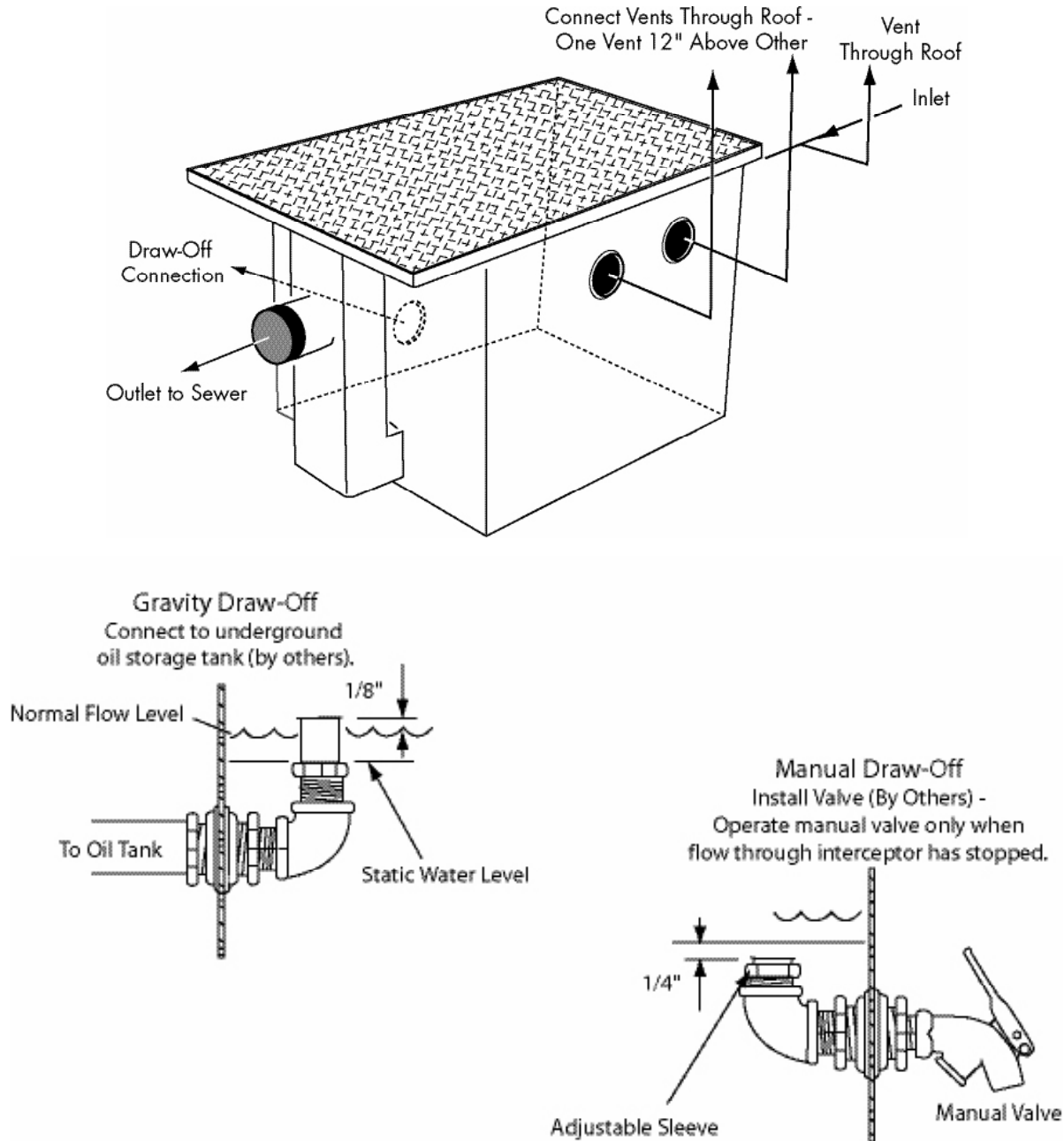
# Oil Interceptors

## Oil Interceptor Sizing & Installation

### General Procedure:

1. Calculate peak volume of waste water into drain line in GPM. Estimate 10 GPM per 3/4" hose outlet.
2. Using total of all discharges, select Watts OI or OI-K Series interceptor with similar flow rate (GPM).
3. Install Oil Interceptor in conjunction with separate approved underground oil storage tank of sufficient size (normally 50 or 100 gallon) to accept separated effluent. Optional manual draw-off valve may be used if permitted by local code.

## Typical Oil Interceptor Installation



**\*\*Note:** Watts Oil Interceptors supplied standard with draw-off connection on right side and vent connections on left (when facing inlet).

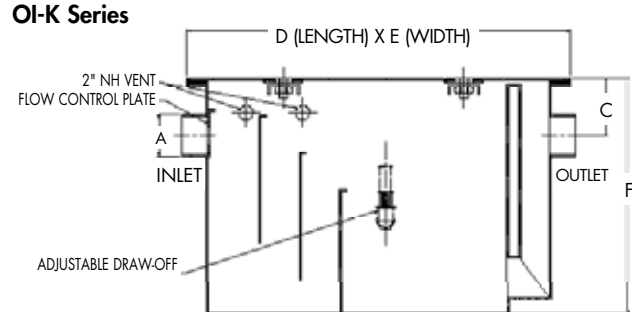
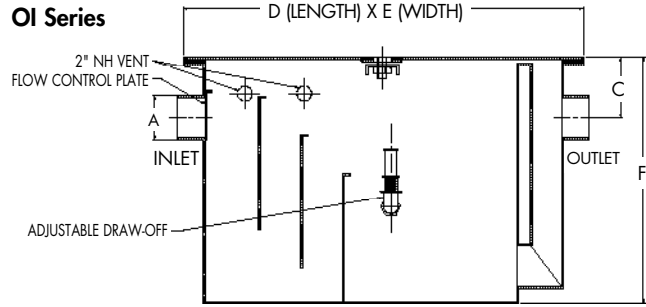


Consult factory for all applications outside of listed parameters.  
Prices do not include applicable taxes.

# Oil Interceptors

## OI & OI-K Series Oil Interceptors

Interceptor Catalog Number	Flow Rate GPM	List Price	-HD 10,000 (Traffic Cover)
<b>OI</b>			
OI-10	10	\$3507.00	\$3728.00
OI-15	15	4811.00	4009.00
OI-20	20	5816.00	4244.00
OI-25	25	6317.00	4482.00
OI-35	35	7681.00	4953.00
OI-50	50	10,331.00	5188.00
<b>OI-K (Large Capacity)</b>			
OI-75-K	75	\$17,893.00	\$5478.00
OI-100-K	100	19,401.00	7538.00
OI-150-K	150	24,028.00	9880.00
OI-200-K	200	33,944.00	11,040.00
OI-250-K	250	39,308.00	15,239.00
OI-300-K	300	44,509.00	19,564.00 </td
OI-400-K	400	57,218.00	26,567.00
OI-500-K	500	72,172.00	32,459.00



## OI & OI-K Series Dimensional Data

Interceptor Catalog Number	Flow Rate GPM	A	C	D Length	E Width	F Height	G	H	J	K
OI-10	10	3"	4"	22-1/4"	16-3/4"	11-1/2"	3-1/2"	11-1/2"	5"	4"
OI-15	15	3"	4"	22-1/4"	16-3/4"	14-1/2"	5-1/2"	11-1/2"	5"	4"
OI-20	20	3"	4"	27-1/4"	19-1/4"	16-1/2"	6-1/2"	14-1/4"	6"	5"
OI-25	25	3"	4"	27-1/4"	19-1/4"	18-1/4"	9-1/2"	14-1/4"	6"	5"
OI-35	35	3"	4"	33-3/4"	20-3/4"	18"	9-1/2"	18-1/2"	7"	6"
OI-50	50	3"	4"	33-3/4"	20-3/4"	21-1/2"	13"	18-1/2"	7"	6"

### Options for OI Series:

Suffix	Option	List Price	Suffix	Option	List Price
-B	Sediment Bucket	1293.00	-O	Inlet & Outlet other than Standard Size	406.00
-E	Extension Up to 12"	2332.00	-SS	All Stainless Construction	P.O.A.
	Extension over 12", add per inch	196.00	-THD	Threaded Connections	No Add
-FC	Flange & Clamp Device	1116.00			

### OI-K

Interceptor Catalog Number	Flow Rate GPM	A	C	D Length	E Width	F Height	G	H	J	K
OI-75-K	75	4"	4-1/2"	39-3/4"	30-3/4"	23"	13-1/2"	21-3/4"	8"	7"
OI-100-K	100	4"	4-1/2"	39-3/4"	30-3/4"	33"	22-1/2"	21-3/4"	8"	7"
OI-150-K	150	4"	4-1/2"	39-3/4"	30-3/4"	43"	30-1/2"	21-3/4"	8"	7"
OI-200-K	200	4"	6-1/2"	52"	34"	43"	33"	41"	8"	7"
OI-250-K	250	4"	6-1/2"	52"	34"	46"	38"	45"	8"	7"
OI-300-K	300	6"	10"	76"	48"	48"	40"	48"	12"	10"
OI-400-K	400	6"	10"	83"	55"	52"	44"	52"	12"	10"
OK-500-K	500	6"	10"	91"	60"	63"	53"	63"	12"	10"

### Options for OI-K Series:

Suffix	Description	List Price	Suffix	Description	List Price
-B	Sediment Bucket	2310.00	-O	Inlet & Outlet other than Standard Size	406.00
-E	Extension Up to 12"	3000.00	-SS	All Stainless Steel	P.O.A.
	Extension over 12", add per inch	250.00	-THD	Threaded Connections	No Add
-FC	Flange & Clamp Device	2380.00			

Consult factory for all applications outside of listed parameters.

Prices do not include applicable taxes.

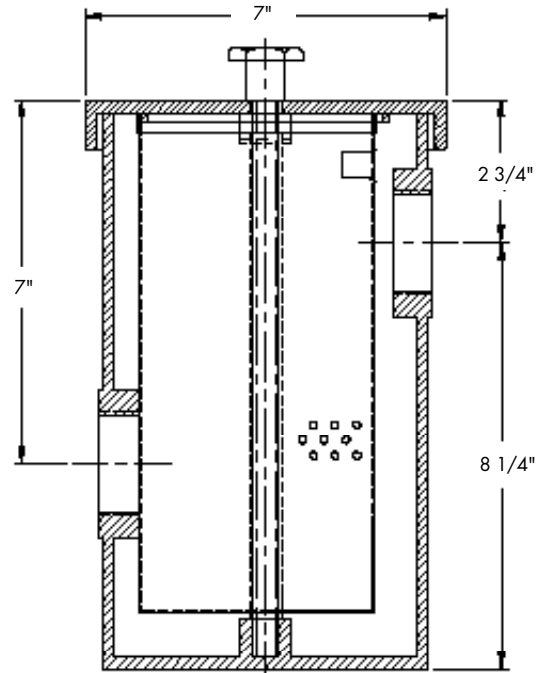


# Hair, Sediment & Solids Interceptors

SI-742

Hair, Plaster, & Sediment Interceptor

Catalog Number	Description	List Price
SI-742	Cast Aluminum	\$889.00
SI-742-SS	Stainless Steel	2016.00



## Options for SI-742 Series:

Suffix	Description	List Price
-X	Cover for Recessed Installation	304.00

## SI-750 & SI-750-TO Hair Interceptor

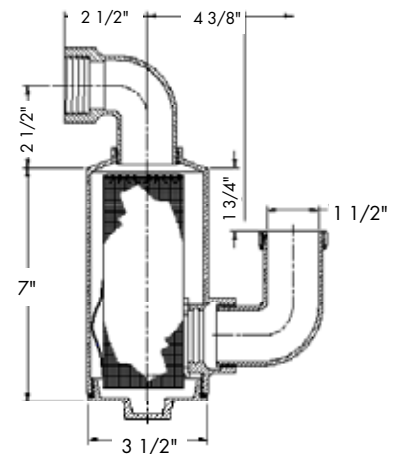
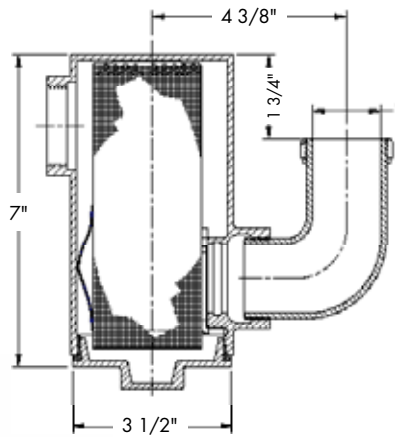
Catalog Number	Description	List Price
SI-750	Cast Iron, Side Outlet	\$590.00
SI-750-TO	Chrome Plated, Top Outlet	954.00



Cast Iron



Chrome Plated



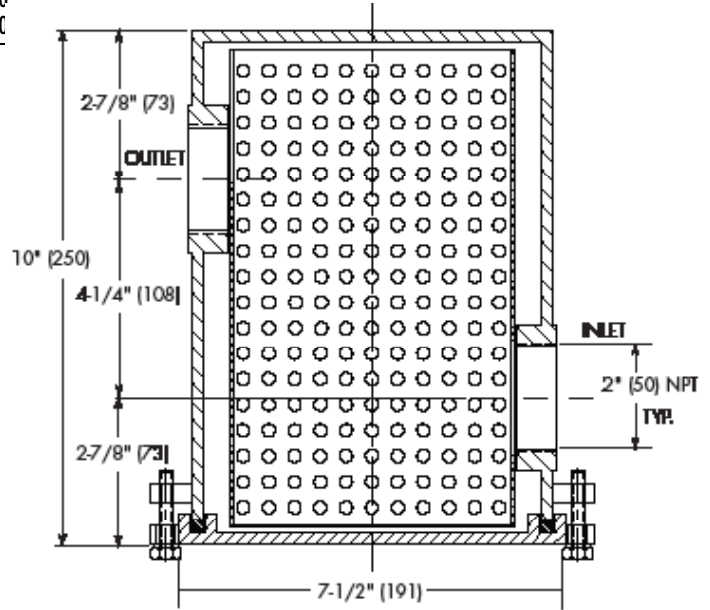
Consult factory for all applications outside of listed parameters.  
Prices do not include applicable taxes.

# Hair, Sediment & Solids Interceptors

**SI-762**

**Bottom Access Hair, Plaster, & Sediment Interceptor**

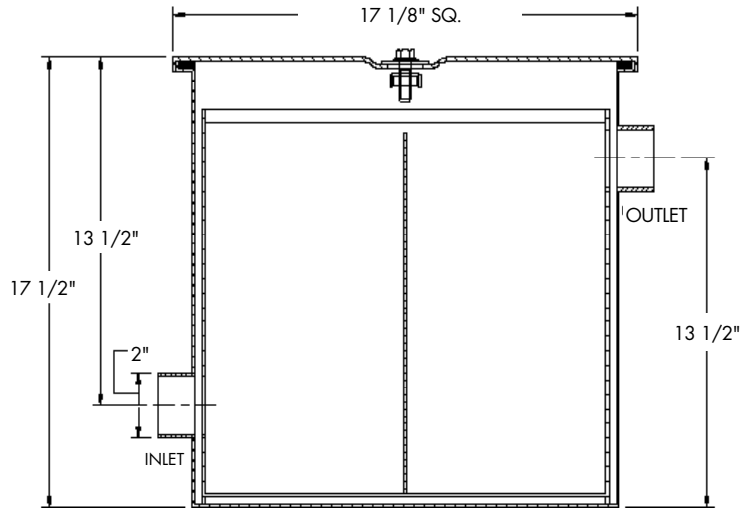
Catalog Number	Description	Wgt. Lbs.	List Price
SI-762	Epoxy Coated Steel	22	\$893.00
SI-762-SS	Stainless Steel	22	1998.00



**SI-742-L**

**Large Capacity Sediment Interceptor**

Catalog Number	Description	List Price
SI-742-L	Epoxy Coated Steel	\$3114.00
SI-742-L-SS	Stainless Steel	5450.00



**Options for SI-742-L:**

Suffix	Description	List Price
-0	Inlet & Outlet other than standard	300.00

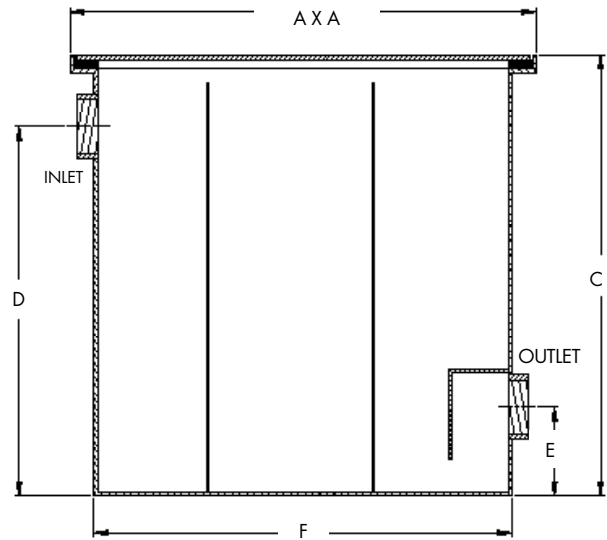
Consult factory for all applications outside of listed parameters.  
Prices do not include applicable taxes.



# Lint & Sand Interceptors

LI-800

Lint Interceptor

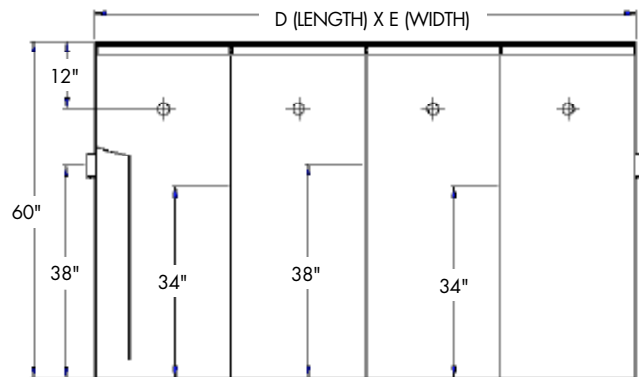


Catalog Number	List Price	Size/No. of Machines	Inlet/Outlet Size	Flow Rate GPM	Approx. Weight/Lbs.	A	C	D	E	F
LI-803	\$6919.00	3	2	30	93	17"	16-1/2"	13-1/2"	3-1/4"	15-1/4"
LI-807	8052.00	7	3	70	155	25"	20"	16-1/2"	3-1/4"	23-1/4"
LI-810	9473.00	10	4	100	271	33"	28"	20-1/8"	4"	31-1/4"
LI-820	11,467.00	20	4	200	404	40"	35"	27-1/8"	4"	38-1/4"
LI-830	13,331.00	30	6	300	654	45"	40"	28-1/8"	5"	43-1/4"
LI-840	15,199.00	40	6	400	723	48"	43"	31-1/8"	5"	46-1/4"
LI-850	17,069.00	50	6	500	911	52"	47"	35-1/8"	5"	50-1/4"

SA-Series

Heavy Duty Sand & Sediment Interceptor

Catalog Number	Wt., lbs.	Cu. Ft.	Length	Width	Height	List Price
SA-310	1600	43	60"	36"	60"	\$26,361.00
SA-410	1750	54	72"	36"	60"	38,884.00
SA-510	2100	72	96"	36"	60"	50,621.00
SA-610	2500	81	108"	36"	60"	51,732.00
SA-710	2700	90	120"	36"	60"	56,510.00
SA-810	3000	108	144"	36"	60"	58,283.00
SA-1010	3640	135	180"	36"	60"	69,402.00



### Options for LI-800/SA Series:

Suffix	Description	List Price
-E	Extension Up to 12"	3000.00
	Each Additional Inch	250.00
-HD	10,000 Traffic Cover	P.O.A.
-O	Inlet & Outlet other than Standard	406.00
-SS	All Stainless Steel	P.O.A.



Consult factory for all applications outside of listed parameters.  
Prices do not include applicable taxes.

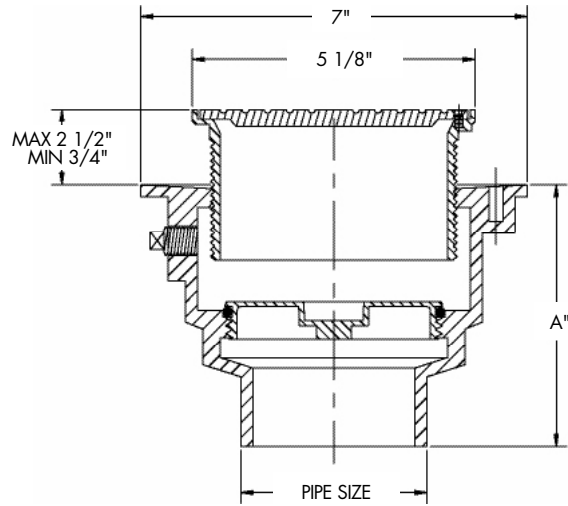
# Adjustable Floor Cleanouts

**CO-200-R**

**Floor Cleanout with Round Top**



Catalog Number	Wt., lbs.	Pipe Size	Cover	List Price
CO-202-R	11	2"	nickel bronze	\$380.00
CO-203-R	11	3"	nickel bronze	400.00
CO-204-R	11	4"	nickel bronze	536.00



**Chart A**

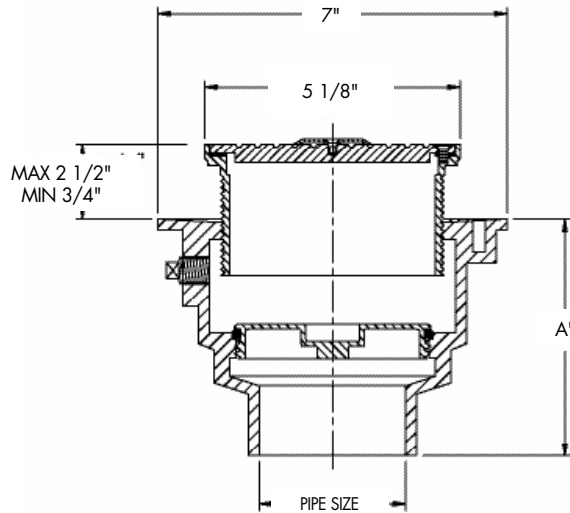
Pipe Size	NH	Push-On	PVC/ABS
2"	4-3/4"	5-1/2"	4"
3"	4-3/4"	5-1/2"	4"
4"	4-3/4"	5-1/2"	4"

**CO-200-RC**

**Floor Cleanout with Round Top, Carpet Marker**



Catalog Number	Wt., lbs.	Pipe Size	Cover	List Price
CO-202-RC	11	2"	nickel bronze	\$427.00
CO-203-RC	11	3"	nickel bronze	447.00
CO-204-RC	11	4"	nickel bronze	583.00



**Chart A**

Pipe Size	NH	Push-On	PVC/ABS
2"	4-3/4"	5-1/2"	4"
3"	4-3/4"	5-1/2"	4"
4"	4-3/4"	5-1/2"	4"

**Options for CO-200:**

Suffix	Description	List Price	Suffix	Description	List Price
None	No Hub Outlet	No Add	-6	Vandal Proof	43.00
P	Push-On Outlet	No Add	-13	Galvanized Body	133.00
-C	Membrane Clamp	64.00	-60	PVC Body w/Poly Plug	No Add
-X	Inside Caulk	No Add	-61	ABS Body w/Poly Plug	No Add
-CF	Carpet Clamping Flange	173.00			

Consult factory for all applications outside of listed parameters.  
Prices do not include applicable taxes.



# Adjustable Floor Cleanouts

## CO-200-RFC7

### Floor Cleanout with Surface Membrane Clamp



Catalog Number	Wt., lbs.	Pipe Size	Cover	List Price
CO-202-RFC7	13	2"	nickel bronze	\$1025.00
CO-203-RFC7	13	3"	nickel bronze	1046.00
CO-204-RFC7	13	4"	nickel bronze	1181.00

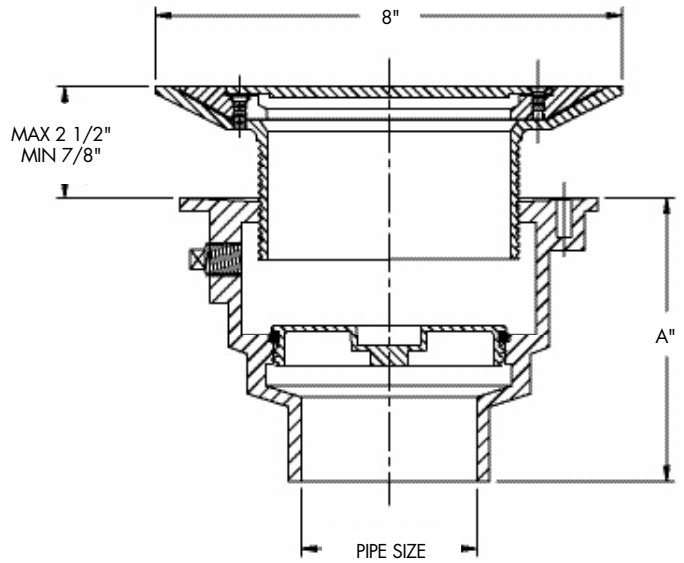


Chart A

Pipe Size	NH	Push-On	PVC/ABS
2"	4-3/4"	5-1/2"	4"
3"	4-3/4"	5-1/2"	4"
4"	4-3/4"	5-1/2"	4"

## CO-200-RX

### Floor Cleanout with Heavy Duty Round Top



Catalog Number	Wt., lbs.	Pipe Size	Cover	List Price
CO-202-RX	12	2"	nickel bronze	\$475.00
CO-203-RX	12	3"	nickel bronze	495.00
CO-204-RX	12	4"	nickel bronze	631.00

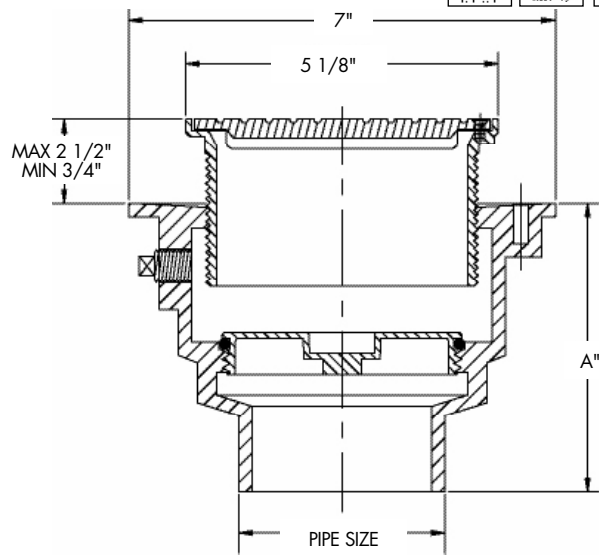


Chart A

Pipe Size	NH	Push-On	PVC/ABS
2"	4-3/4"	5-1/2"	4"
3"	4-3/4"	5-1/2"	4"
4"	4-3/4"	5-1/2"	4"

### Options for CO-200:

Suffix	Description	List Price	Suffix	Description	List Price
None	No Hub Outlet	No Add	-6	Vandal Proof	43.00
P	Push-On Outlet	No Add	-13	Galvanized Body	133.00
-C	Membrane Clamp	64.00	-60	PVC Body w/Poly Plug	No Add
-X	Inside Caulk	No Add	-61	ABS Body w/Poly Plug	No Add
-CF	Carpet Clamping Flange	173.00			



Consult factory for all applications outside of listed parameters.  
Prices do not include applicable taxes.



# Adjustable Floor Cleanouts

## CO-200-RX-4

### Floor Cleanout with Ductile Iron Top



Catalog Number	Wt., lbs.	Pipe Size	Cover	List Price
CO-202-RX-4	12	2"	ductile iron	\$256.00
CO-203-RX-4	12	3"	ductile iron	296.00
CO-204-RX-4	12	4"	ductile iron	364.00

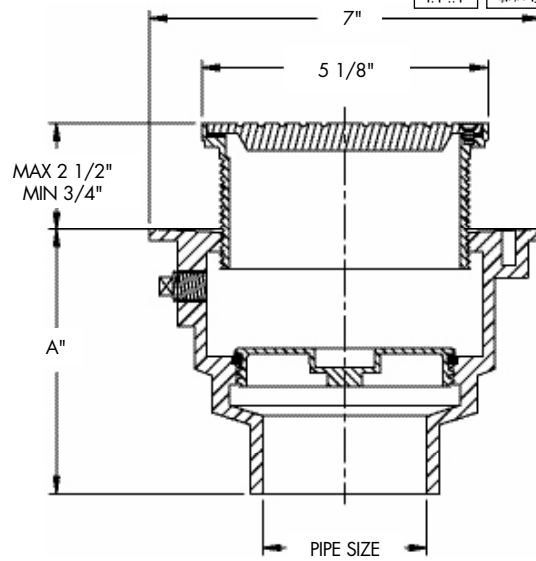


Chart A

Pipe Size	NH	Push-On	PVC/ABS
2"	4-3/4"	5-1/2"	4"
3"	4-3/4"	5-1/2"	4"
4"	4-3/4"	5-1/2"	4"

#### Options for CO-200-RX-4:

Suffix	Description	List Price
-13	All Galvanized	135.00

## CO-200-S

### Floor Cleanout with Square Top



Catalog Number	Wt., lbs.	Pipe Size	Cover	List Price
CO-202-S	11	2"	nickel bronze	\$380.00
CO-203-S	11	3"	nickel bronze	400.00
CO-204-S	11	4"	nickel bronze	536.00

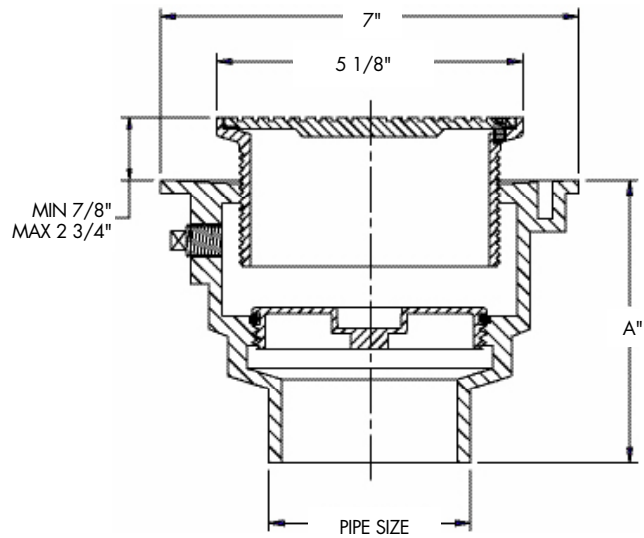


Chart A

Pipe Size	NH	Push-On	PVC/ABS
2"	4-3/4"	5-1/2"	4"
3"	4-3/4"	5-1/2"	4"
4"	4-3/4"	5-1/2"	4"

#### Options for CO-200:

Suffix	Description	List Price	Suffix	Description	List Price
None	No Hub Outlet	No Add	-6	Vandal Proof	43.00
P	Push-On Outlet	No Add	-13	Galvanized Body	133.00
-C	Membrane Clamp	64.00	-60	PVC Body w/Poly Plug	No Add
-X	Inside Caulk	No Add	-61	ABS Body w/Poly Plug	No Add
-CF	Carpet Clamping Flange	173.00			

Consult factory for all applications outside of listed parameters.

Prices do not include applicable taxes.



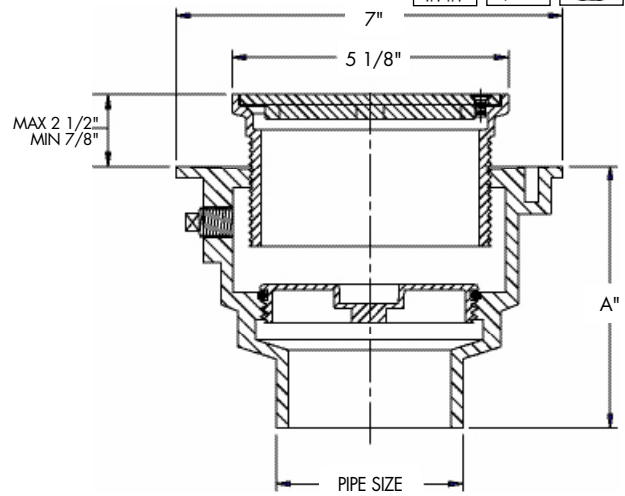
# Adjustable Floor Cleanouts

## CO-200-SX

### Floor Cleanout with Heavy Duty Square Top



Catalog Number	Wt., lbs.	Pipe Size	Cover	List Price
CO-202-SX	12	2"	nickel bronze	\$475.00
CO-203-SX	12	3"	nickel bronze	495.00
CO-204-SX	12	4"	nickel bronze	631.00



#### Options for CO-200-SX

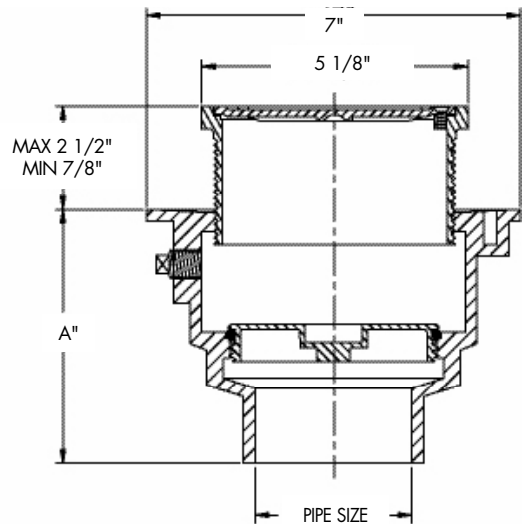
Suffix	Description	List Price
-4	Ductile Iron Top	-147.00

## CO-200-T

### Floor Cleanout with Round Top, Tile Recess



Catalog Number	Wt., lbs.	Pipe Size	Cover	List Price
CO-202-T	11	2"	nickel bronze	\$380.00
CO-203-T	11	3"	nickel bronze	400.00
CO-204-T	11	4"	nickel bronze	536.00



#### Options for CO-200-T:

Suffix	Description	List Price
-13	All Galvanized	135.00



Consult factory for all applications outside of listed parameters.  
Prices do not include applicable taxes.

# Adjustable Floor Cleanouts

## CO-200-TS

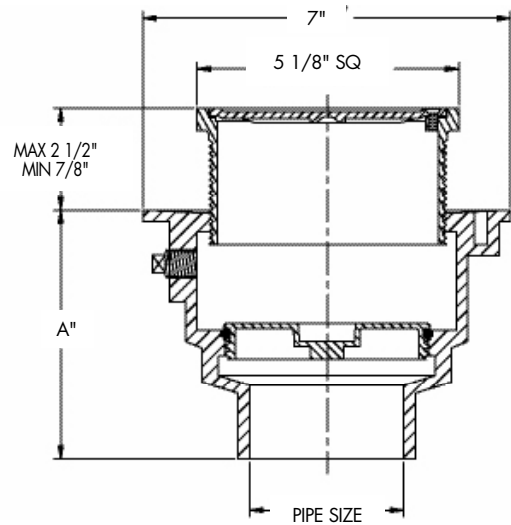
### Floor Cleanout with Square Top, Tile Recess



Catalog Number	Wt., lbs.	Pipe Size	Cover	List Price
CO-202-TS	11	2"	nickel bronze	\$380.00
CO-203-TS	11	3"	nickel bronze	400.00
CO-204-TS	11	4"	nickel bronze	536.00



Options, see page 87



## CO-200-U

### Floor Cleanout with Round Top, Terrazzo Recess



Catalog Number	Wt., lbs.	Pipe Size	Cover	List Price
CO-202-U	12	2"	nickel bronze	\$593.00
CO-203-U	12	3"	nickel bronze	613.00
CO-204-U	12	4"	nickel bronze	749.00

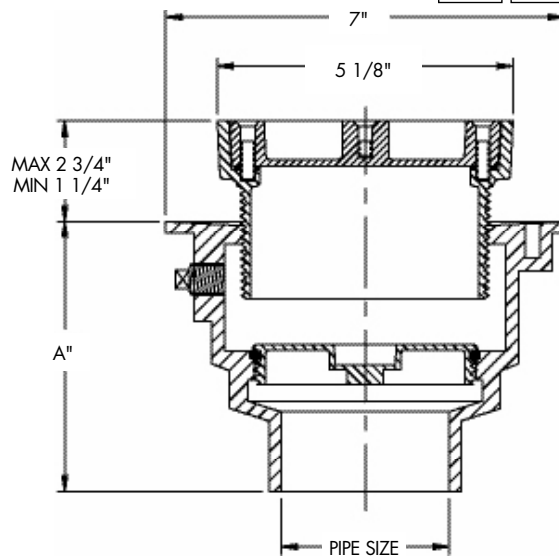


Chart A

Pipe Size	NH	Push-On	PVC/ABS
2"	4-3/4"	5-1/2"	4"
3"	4-3/4"	5-1/2"	4"
4"	4-3/4"	5-1/2"	4"

### Options for CO-200-U:

Suffix	Description	List Price
-13	All Galvanized	135.00

Consult factory for all applications outside of listed parameters.

Prices do not include applicable taxes.



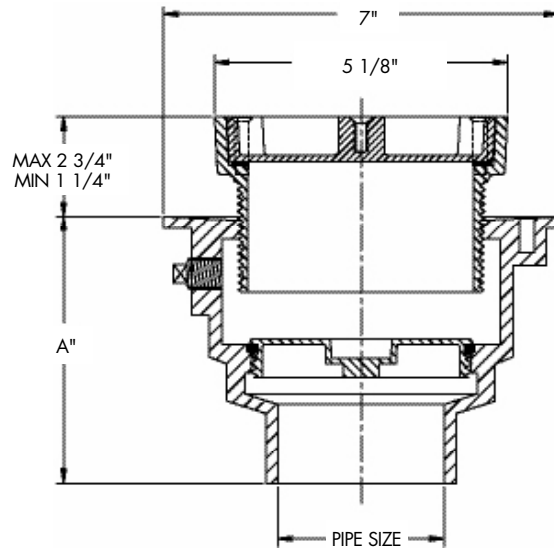
# Adjustable Floor Cleanouts

**CO-200-US**

**Floor Cleanout with Square Top, Terrazzo Recess**



Catalog Number	Wt., lbs.	Pipe Size	Cover	List Price
CO-202-US	12	2"	nickel bronze	\$593.00
CO-203-US	12	3"	nickel bronze	613.00
CO-204-US	12	4"	nickel bronze	749.00



**Chart A**

Pipe Size	NH	Push-On	PVC/ABS
2"	4-3/4"	5-1/2"	4"
3"	4-3/4"	5-1/2"	4"
4"	4-3/4"	5-1/2"	4"

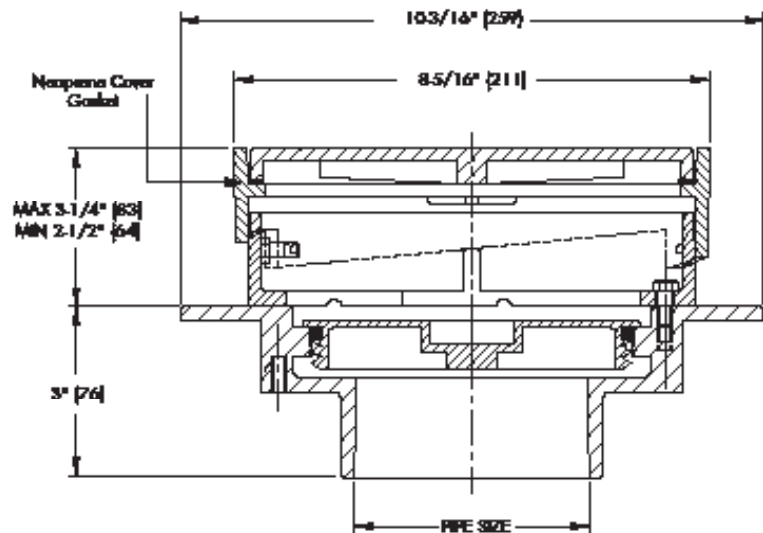
**Options for CO-200:**

Suffix	Description	List Price	Suffix	Description	List Price
None	No Hub Outlet	No Add	-6	Vandal Proof	43.00
P	Push-On Outlet	No Add	-13	Galvanized Body	133.00
-C	Membrane Clamp	64.00	-60	PVC Body w/Poly Plug	No Add
-X	Inside Caulk	No Add	-61	ABS Body w/Poly Plug	No Add
-CF	Carpet Clamping Flange	173.00			

**CO-260**

**Floor Cleanout with 8" Round Adjustable Top**

Catalog Number	Wt., lbs.	Pipe Size	Cover	List Price
CO-263, 4, 6, 8	20	3, 4, 6, 8"	ductile iron	\$735.00
CO-263, 4, 6, 8-1	20	3, 4, 6, 8"	nickel bronze	872.00
CO-263, 4, 6, 8-S-1	20	3, 4, 6, 8"	sq. nickel bronze	872.00



**Options for CO-260**

Suffix	Description	List Price
None	No Hub Outlet	No Add
P	Push-On Outlet	No Add
-X	Inside Caulk (6" only)	No Add
-3	Round Stainless Steel Top	356.00
-6	Vandal Proof	43.00
-13	All Galvanized	133.00



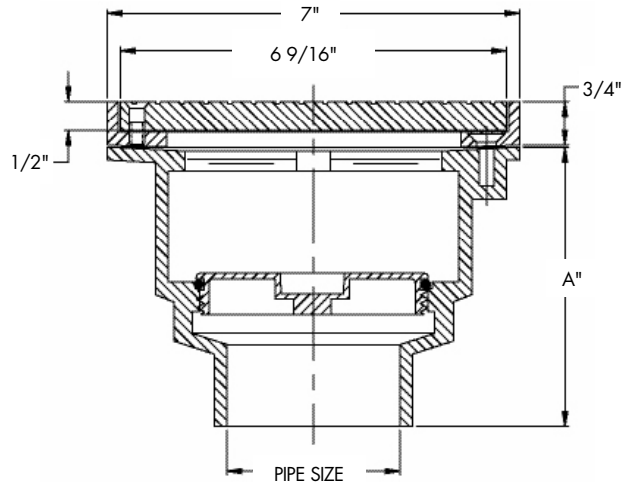
Consult factory for all applications outside of listed parameters.  
Prices do not include applicable taxes.

# Adjustable Floor Cleanouts

**CO-270**

**Floor Cleanout with Fixed Top**

Catalog Number	Wt., lbs.	Pipe Size	Cover	List Price
CO-272, 3, 4	12	2, 3, 4"	ductile iron	\$275.00
CO-272, 3, 4-1	12	2, 3, 4"	nickel bronze	391.00



## Options for CO-270

Suffix	Description	List Price
None	No Hub Outlet	No Add
P	Push-On Outlet	No Add
-X	Inside Caulk (6" only)	No Add
-6	Vandal Proof	43.00
-13	All Galvanized	95.00

**Chart A**

Pipe Size	NH	Push-On	PVC/ABS
2"	4-3/4"	5-1/2"	4"
3"	4-3/4"	5-1/2"	4"
4"	4-3/4"	5-1/2"	4"

Consult factory for all applications outside of listed parameters.  
Prices do not include applicable taxes.



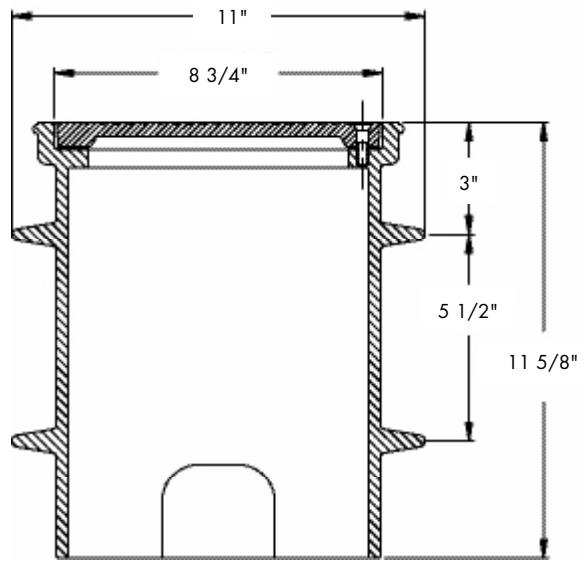
# Access Housings

**CO-300-MF**

**Extra Heavy Duty Access Housing**

Catalog Number	Wt., lbs.	Cover	List Price
CO-300-MF	35	ductile iron	\$845.00

**Note:** Use CO-380 cleanout if required.



## Options for CO-300-MF

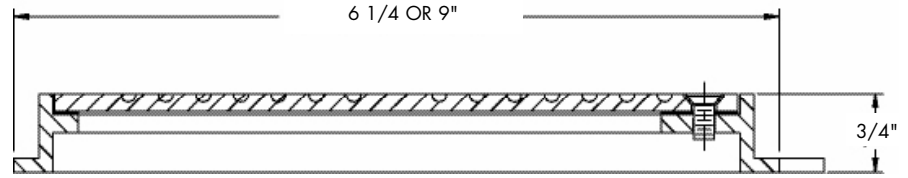
Suffix	Description	List Price
-6	Vandal Proof	58.00
-13	All Galvanized	338.00

# Access Covers

## CO-300-R

### Round Serrated Access Cover

Catalog Number	Wt., lbs.	Cover Size	Cover	List Price
CO-300-R6	5	6-1/4"	nickel bronze	\$213.00
CO-300-R9	10	9"	nickel bronze	536.00



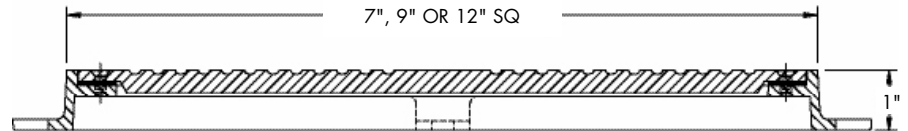
#### Options for CO-300-R Series:

Suffix	Description	List Price
-6	Vandal Proof	43.00

## CO-300-S

### Square Serrated Access Cover

Catalog Number	Wt., lbs.	Cover Size	Cover	List Price
CO-300-S7	5	7" x 7"	nickel bronze	\$367.00
CO-300-S9	10	9" x 9"	nickel bronze	538.00
CO-300-S12	13	12" x 12"	nickel bronze	628.00



#### Options for CO-300-S Series:

Suffix	Description	List Price
-6	Vandal Proof	43.00

Consult factory for all applications outside of listed parameters.  
Prices do not include applicable taxes.



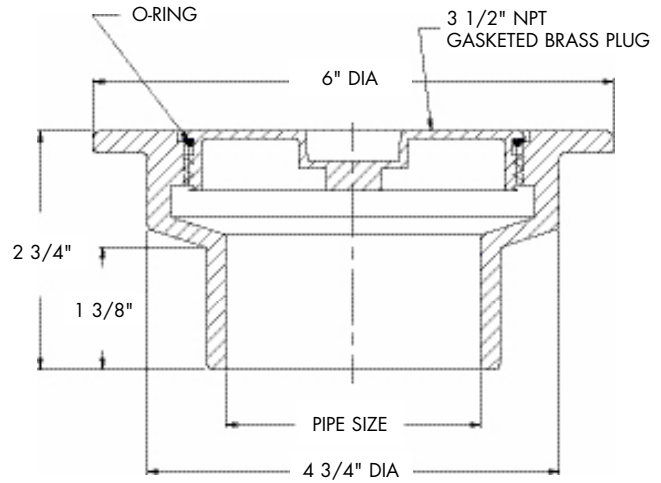


# General Purpose Floor Cleanouts

**CO-380**

**Cleanout Ferrule with Brass Plug**

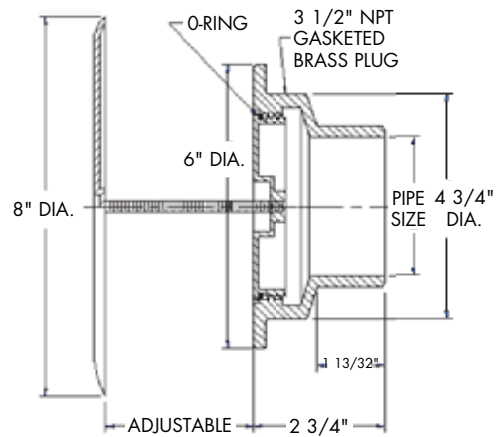
Catalog Number	Wt., lbs.	Pipe Size	List Price
CO-382	2	2"	\$58.00
CO-383	4	3"	90.00
CO-384	5	4"	124.00
CO-386	8	6"	255.00



**CO-380-RD**

**Wall Cleanout Ferrule with Stainless Steel Cover**

Catalog Number	Wt., lbs.	Pipe Size	Cover Size	List Price
CO-382-RD	3	2"	8"	\$143.00
CO-383-RD	5	3"	8"	175.00
CO-384-RD	6	4"	8"	207.00
CO-386-RD	9	6"	8"	441.00



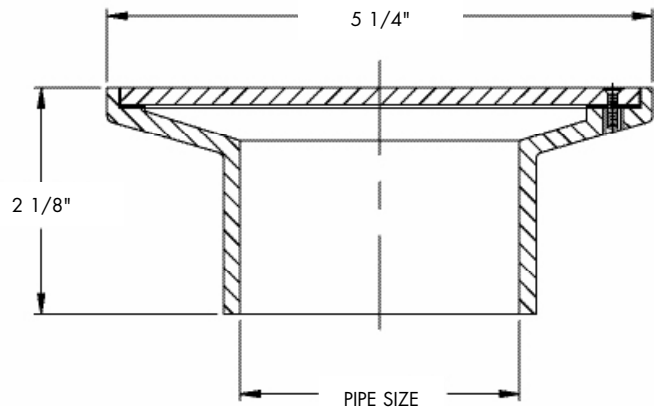
Consult factory for all applications outside of listed parameters.  
Prices do not include applicable taxes.

# General Purpose Floor Cleanouts

## CO-390-E

### General Purpose Floor Cleanout

Catalog Number	Wt., lbs.	Pipe Size	Cover	List Price
CO-392, 3, 4-E	4	2, 3, 4"	ductile iron	\$128.00
CO-392, 3, 4-E-1	4	2, 3, 4"	nickel bronze	170.00



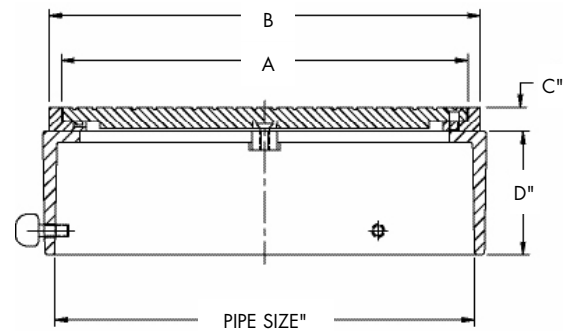
#### Options for CO-390-E:

Suffix	Description	List Price
-6	Vandal Proof	34.00
-60	PVC Body w/Socket Outlet	No Add
-61	ABS Body w/Socket Outlet	No Add

## CO-410

### Floor Access Housing

Catalog Number	Wt., lbs.	Pipe Size	Cover	List Price
CO-413, 4	5	3, 4"	ductile iron	\$255.00
CO-413,4-1	5	3, 4"	nickel bronze	354.00
CO-416	9	6"	ductile iron	338.00
CO-416-1	9	6"	nickel bronze	451.00



#### Options for CO-410:

Suffix	Description	List Price
-6	Vandal Proof	43.00

Model	Pipe Size	Dimensions in Inches			
		A	B	C	D
CO-413	3	5	5-1/4	3/8	2-5/8
CO-414	4	7	7-1/4	1/2	2-3/4
CO-416	6	8-3/4	9	1/2	3

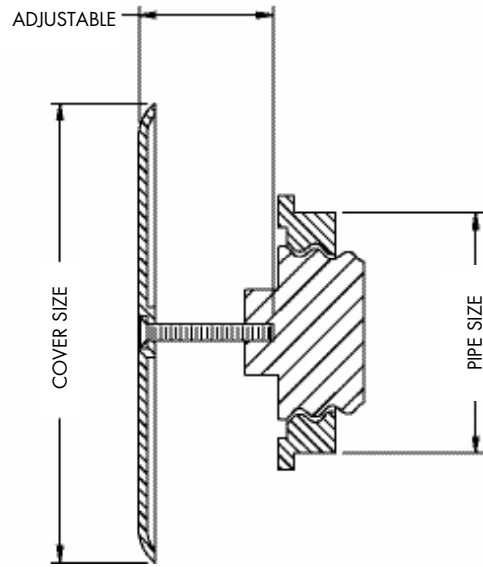
Consult factory for all applications outside of listed parameters.  
Prices do not include applicable taxes.



# Wall Cleanouts

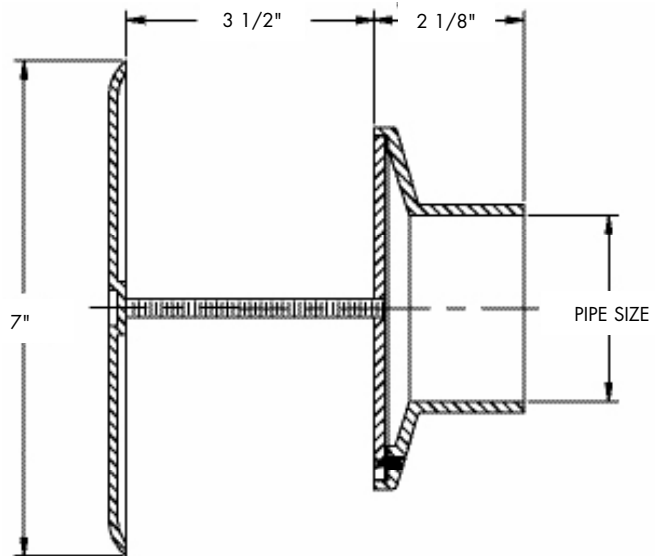
## CO-440-RD Series Poly Wall Cleanout with Stainless Steel Cover

Catalog Number	Wt., lbs.	Pipe Size	Cover Size	List Price
CO-441.5-RD	2	1-1/2"	5"	\$110.00
CO-442-RD	2	2"	5"	116.00
CO-443-RD	2	3"	7"	142.00
CO-444-RD	2	4"	7"	189.00



## CO-450-RD Line Cleanout with Stainless Steel Cover

Catalog Number	Wt., lbs.	Pipe Size	List Price
CO-452-RD	5	2"	\$142.00
CO-453-RD	5	3"	176.00
CO-454-RD	5	4"	210.00



### Options for CO-450-RD

Suffix	Description	List Price
-60	PVC Body w/Socket Outlet	No Add
-61	ABS Body w/Socket Outlet	No Add



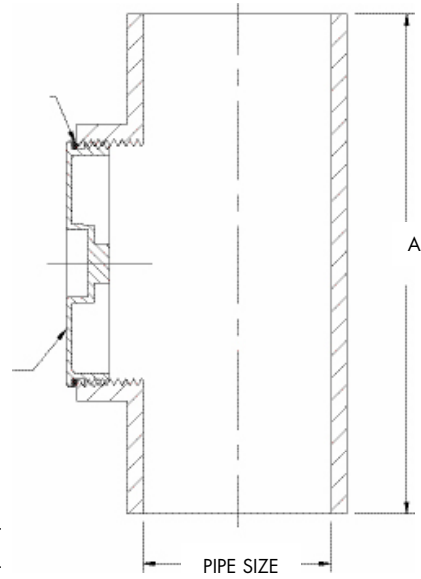
Consult factory for all applications outside of listed parameters.  
Prices do not include applicable taxes.

# Wall Cleanouts

**CO-460**

**Stack Cleanout with Brass Plug**

Catalog Number	Wt., lbs.	Pipe Size	List Price
CO-462	8	2"	\$138.00
CO-463	15	3"	172.00
CO-464	17	4"	268.00



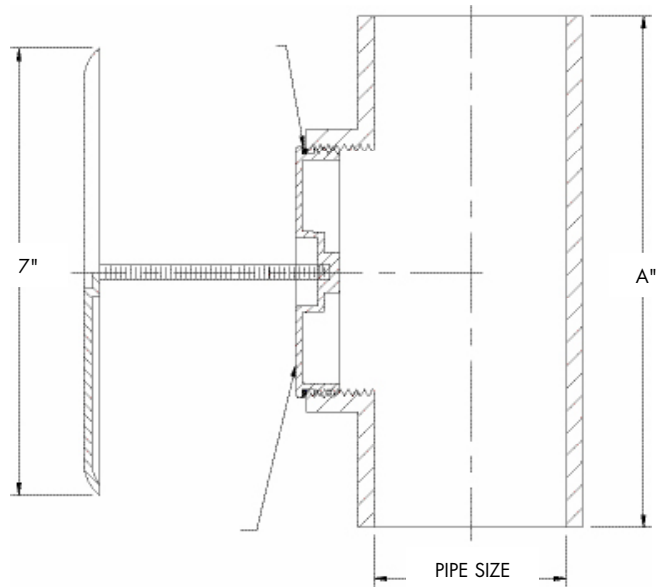
**Chart A**

Size	Height
2"	6-1/4"
3"	7-3/4"
4"	9"

**CO-460-RD**

**Stack Cleanout with with Brass Plug & Stainless Steel Cover**

Catalog Number	Wt., lbs.	Pipe Size	Cover	List Price
CO-462-RD	9	2"	stainless steel	\$220.00
CO-463-RD	16	3"	stainless steel	253.00
CO-464-RD	18	4"	stainless steel	373.00



**Chart A**

Size	Height
2"	6-1/4"
3"	7-3/4"
4"	9"

Consult factory for all applications outside of listed parameters.  
Prices do not include applicable taxes.

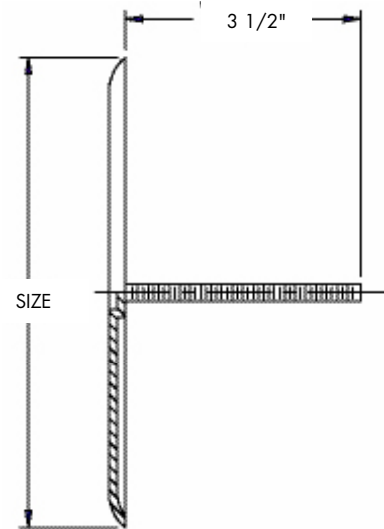


# Wall Cleanouts

## CO-480-RD

### Stainless Steel Access Cover with Screw

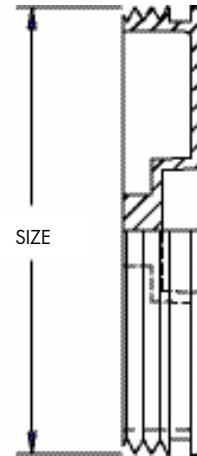
Catalog Number	Wt., lbs.	Size	List Price
CO-480-RD5	9	5"	\$84.00
CO-480-RD6	16	6"	84.00
CO-480-RD7	16	7"	102.00
CO-480-RD8	18	8"	185.00
CO-480-RD10	18	10"	288.00



## CO-590

### Brass Cleanout Plug

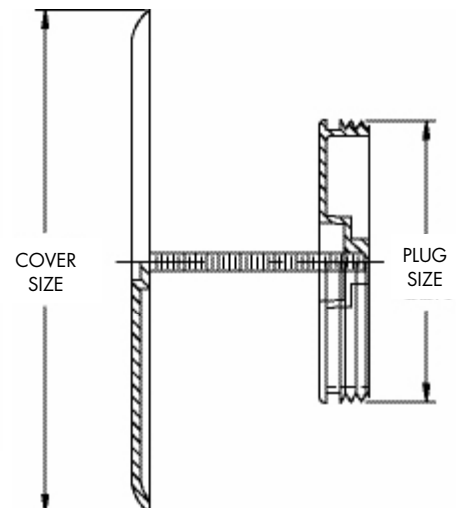
Catalog Number	Wt., lbs.	Size	List Price
CO-591.5	1/2	1-1/2"	\$28.00
CO-592	3/4	2"	33.00
CO-593	1	3"	58.00
CO-594	1-1/2	4"	102.00
CO-595	1-1/2	5"	157.00
CO-596	3	6"	213.00



## CO-590-RD

### Wall Cleanout with Brass Plug, Stainless Steel Cover

Catalog Number	Wt., lbs.	Pipe Size	Cover Size	List Price
CO-591.5-RD	1	1-1/2"	5"	\$109.00
CO-592-RD	1-1/4	2"	5"	117.00
CO-593-RD	1-1/2	3"	7"	143.00
CO-594-RD	2	4"	7"	185.00
CO-595-RD	2	5"	8"	261.00
CO-596-RD	3-1/2	6"	8"	400.00



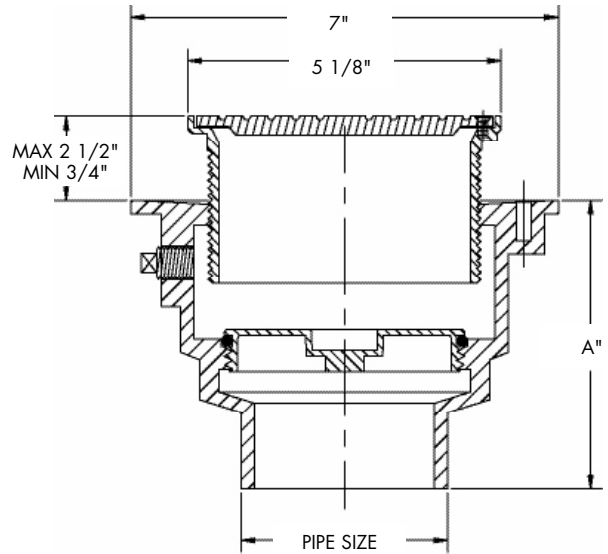
# Stainless Steel Top Floor Cleanouts

**CO-1200-R**

**Floor Cleanout with Round Stainless Steel Top**



Catalog Number	Wt., lbs.	Pipe Size	Cover	List Price
CO-1202-R	11	2"	stainless steel	\$453.00
CO-1203-R	11	3"	stainless steel	473.00
CO-1204-R	11	4"	stainless steel	550.00



**Chart A**

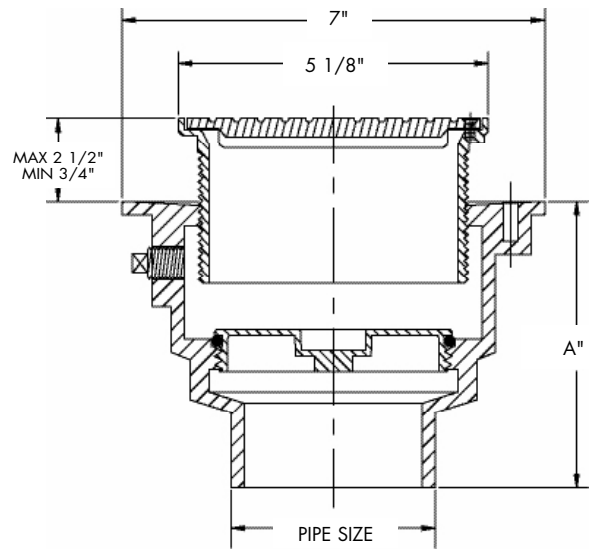
Pipe Size	NH	Push-On	PVC/ABS
2"	4-3/4"	5-1/2"	4"
3"	4-3/4"	5-1/2"	4"
4"	4-3/4"	5-1/2"	4"

**CO-1200-RX**

**Floor Cleanout with Heavy Duty Round Stainless Steel Top**



Catalog Number	Wt., lbs.	Pipe Size	Cover	List Price
CO-1202-RX	12	2"	stainless steel	\$482.00
CO-1203-RX	12	3"	stainless steel	502.00
CO-1204-RX	12	4"	stainless steel	579.00



**Chart A**

Pipe Size	NH	Push-On	PVC/ABS
2"	4-3/4"	5-1/2"	4"
3"	4-3/4"	5-1/2"	4"
4"	4-3/4"	5-1/2"	4"

**Options for CO-1200:**

Suffix	Description	List Price	Suffix	Description	List Price
None	No Hub Outlet	No Add	-6	Vandal Proof	43.00
P	Push-On Outlet	No Add	-13	Galvanized Body	133.00
-C	Membrane Clamp	64.00	-28	304 SS Body & Plug	554.00
-X	Inside Caulk	No Add	-60	PVC Body w/Poly Plug	No Add
			-61	ABS Body w/Poly Plug	No Add

Consult factory for all applications outside of listed parameters.  
Prices do not include applicable taxes.



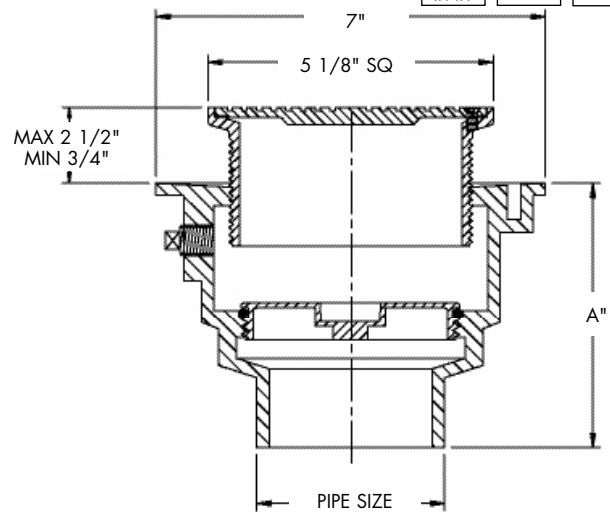
# Stainless Steel Top Floor Cleanouts

**CO-1200-S**

**Floor Cleanout with Square Stainless Steel Top**



Catalog Number	Wt., lbs.	Pipe Size	Cover	List Price
CO-1202-S	11	2"	stainless steel	\$453.00
CO-1203-S	11	3"	stainless steel	473.00
CO-1204-S	11	4"	stainless steel	550.00



**Chart A**

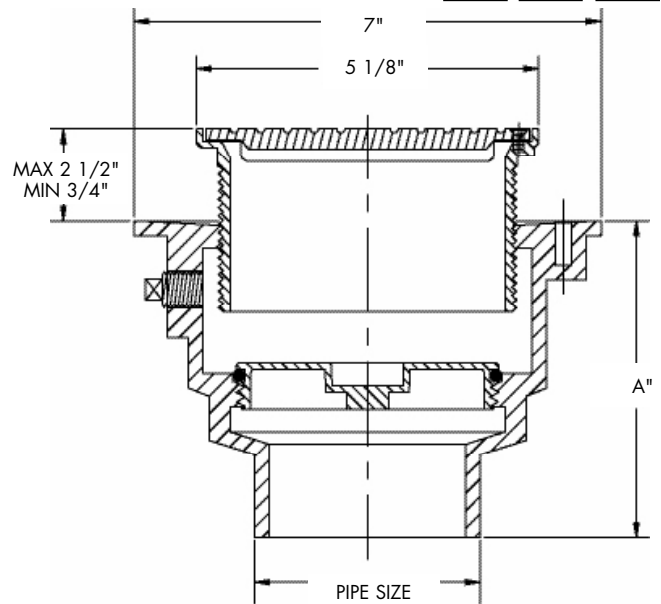
Pipe Size	NH	Push-On	PVC/ABS
2"	4-3/4"	5-1/2"	4"
3"	4-3/4"	5-1/2"	4"
4"	4-3/4"	5-1/2"	4"

**CO-1200-SX**

**Floor Cleanout with Heavy Duty Square Stainless Steel Top**



Catalog Number	Wt., lbs.	Pipe Size	Cover	List Price
CO-1202-SX	12	2"	stainless steel	\$482.00
CO-1203-SX	12	3"	stainless steel	502.00
CO-1204-SX	12	4"	stainless steel	579.00



**Chart A**

Pipe Size	NH	Push-On	PVC/ABS
2"	4-3/4"	5-1/2"	4"
3"	4-3/4"	5-1/2"	4"
4"	4-3/4"	5-1/2"	4"

## Options for CO-1200

Suffix	Description	List Price	Suffix	Description	List Price
None	No Hub Outlet	No Add	-6	Vandal Proof	43.00
P	Push-On Outlet	No Add	-13	Galvanized Body	133.00
-C	Membrane Clamp	64.00	-28	304 SS Body & Plug	554.00
-X	Inside Caulk	No Add	-60	PVC Body w/Poly Plug	No Add
			-61	ABS Body w/Poly Plug	No Add



Consult factory for all applications outside of listed parameters.  
Prices do not include applicable taxes.

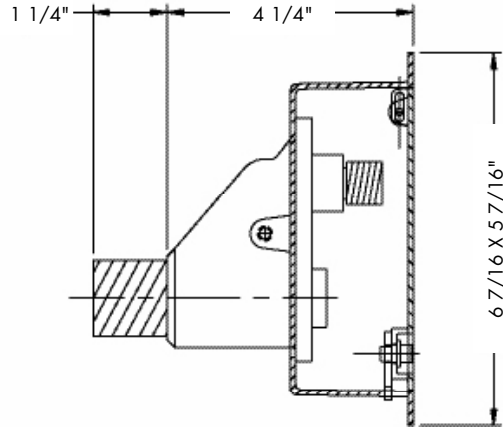


# Wall Hydrants

**HY-330**

**Moderate Climate Wall Hydrant with NB Box, Integral Vacuum Breaker**

Catalog Number	Hose Conn.	List Price
HY-330	3/4"	\$842.00



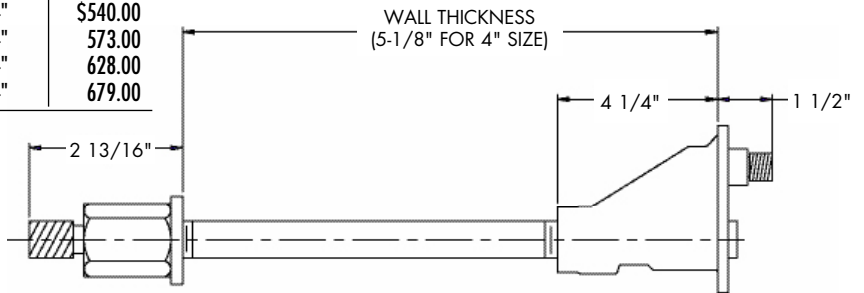
### Options for HY-330

Suffix	Description	List Price
-K	Cylinder Lock	117.00
-3	Stainless Steel Box	No Add

**HY-420**

**Non-Freeze Wall Hydrant with Chrome Face, Integral Vacuum Breaker**

Catalog Number	Wt.lbs	Wall Thickness	Hose Conn.	List Price
HY-420-4, 6, 8	5	4, 6, 8"	3/4"	\$540.00
HY-420-10, 12, 14	6	10, 12, 14"	3/4"	573.00
HY-420-16, 18	7	16, 18"	3/4"	628.00
HY-420-20, 22, 24	8	20, 22, 24"	3/4"	679.00



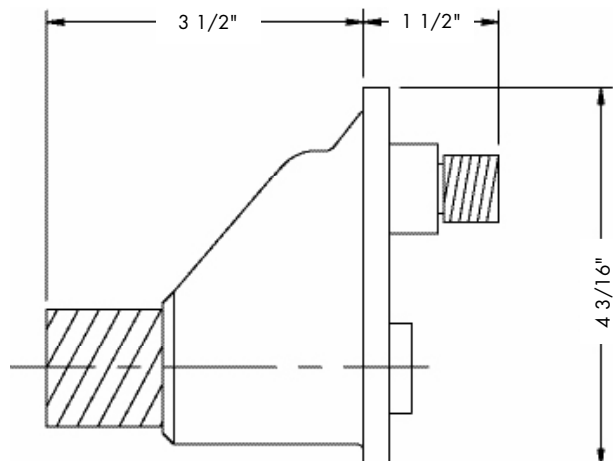
### Options for HY-420

Suffix	Description	List Price
-88	Wall Clamp	No Add

**HY-430**

**Moderate Climate Wall Hydrant with Chrome Face, Integral Vacuum Breaker**

Catalog Number	Hose Conn.	List Price
HY-430	3/4"	\$417.00



Consult factory for all applications outside of listed parameters.  
Prices do not include applicable taxes.



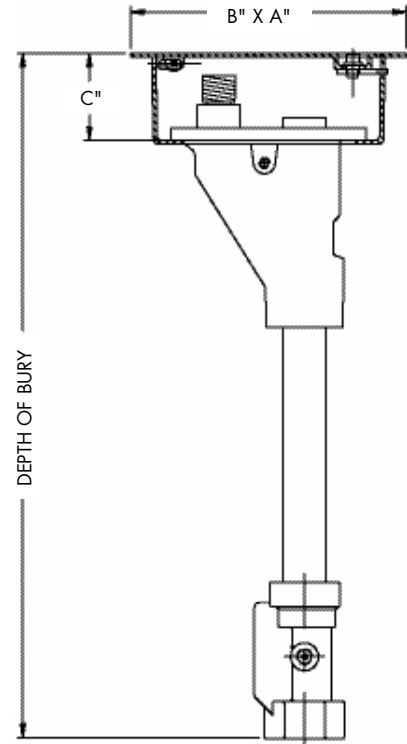
# Ground Hydrants

## HY-500

### Non-Freeze Deck Hydrant with NB Box

Catalog No.	Depth	Wt. lbs	3/4" Conn.	1" Conn.	1-1/4" Conn.	1-1/2" Conn.	2" Conn.
HY-502	2'	10	\$1291.00	\$1494.00	\$5498.00	\$6034.00	\$7044.00
HY-503	3'	14	1386.00	1589.00	5675.00	6215.00	7223.00
HY-504	4'	18	1485.00	1686.00	5853.00	6390.00	7399.00
HY-505	5'	22	1590.00	1793.00	6047.00	6584.00	7593.00
HY-506	6'	26	1688.00	1889.00	6238.00	6774.00	7784.00
HY-508	8'	30	1882.00	2085.00	6932.00	7470.00	8478.00

Conn. Size	A	B	C
3/4" & 1"	5-5/8"	6-7/8"	2-1/4"
1-1/2" to 2"	10-1/2"	10-1/2"	3-1/2"

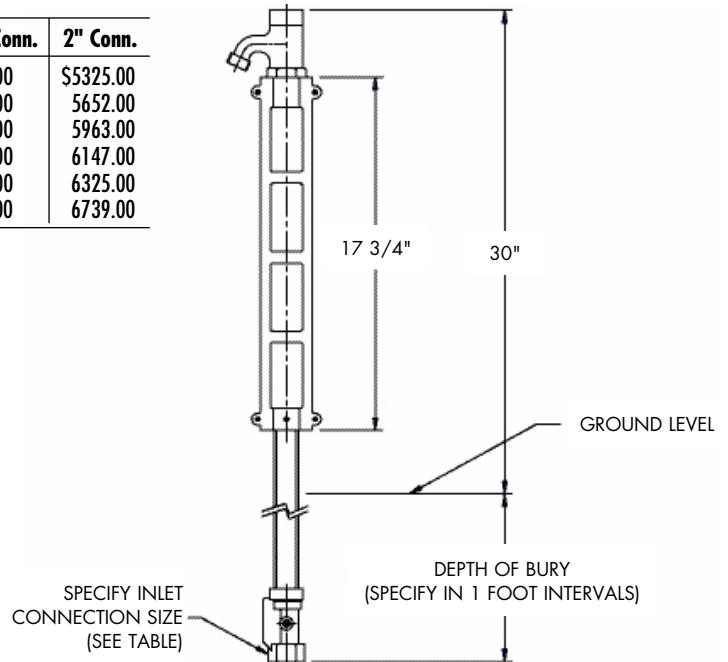


Note: Vacuum Breaker STD on 3/4" - 1"

## HY-600

### Non-Freeze Post Hydrant

Catalog No.	Depth	3/4" Conn.	1" Conn.	1-1/4" Conn.	1-1/2" Conn.	2" Conn.
HY-600-2	2'	\$1261.00	\$1612.00	\$3107.00	\$4249.00	\$5325.00
HY-600-3	3'	1364.00	1716.00	3429.00	4568.00	5652.00
HY-600-4	4'	1468.00	1821.00	3739.00	4880.00	5963.00
HY-600-5	5'	1573.00	1925.00	3923.00	5063.00	6147.00
HY-600-6	6'	1682.00	2033.00	4102.00	5240.00	6325.00
HY-600-8	8'	1911.00	2263.00	4517.00	5656.00	6739.00



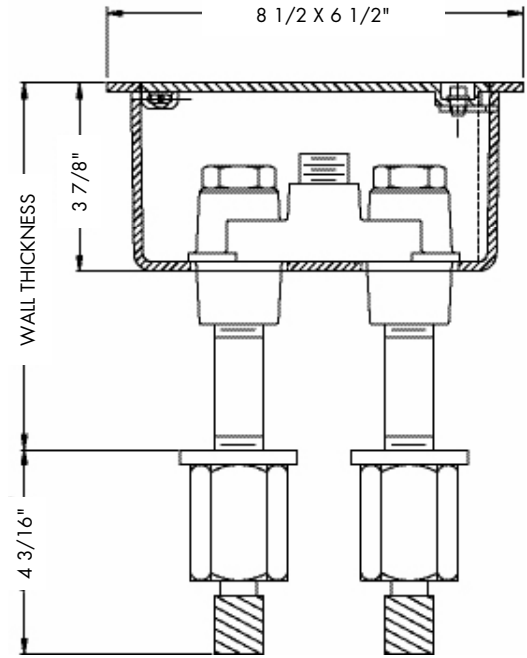
Consult factory for all applications outside of listed parameters.  
Prices do not include applicable taxes.

# Wall Hydrants

**HY-700**

**Non-Freeze Dual-Temp Wall Hydrant with NB Box**

Catalog Number	Wt. lbs	Wall Thickness	Hose Conn	List Price
HY-700-6, 8	15	6", 8"	3/4"	\$2383.00
HY-700-10, 12, 14	17	10, 12, 14"	3/4"	2449.00
HY-700-16, 18	19	16, 18"	3/4"	2661.00



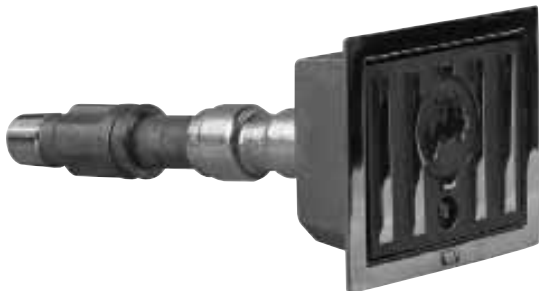
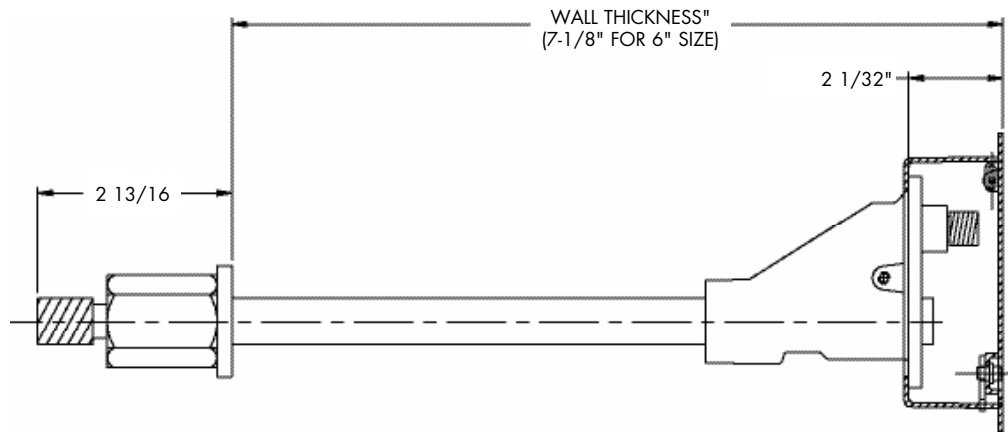
### Options for HY-700

Suffix	Description	List Price
-K	Cylinder Lock	117.00
-VB	Vacuum Breaker	86.00

**HY-725**

**Non-Freeze Wall Hydrant with NB Box, Integral Vacuum Breaker**

Catalog Number	Wt., lbs.	Depth	Hose Conn	List Price
HY-725-6, 8	7	6", 8"	3/4"	\$965.00
HY-725-10, 12, 14	8	10, 12, 14"	3/4"	998.00
HY-725-16, 18	9	16, 18"	3/4"	1053.00
HY-725-20, 22, 24	10	20, 22, 24"	3/4"	1104.00



### Options for HY-725

Suffix	Description	List Price
-K	Cylinder Lock	117.00
-3	Stainless Steel Box	No Add
-88	Wall Clamp	No Add

STANDARD FINISH IS POLISHED NICKEL BRONZE

Consult factory for all applications outside of listed parameters.  
Prices do not include applicable taxes.

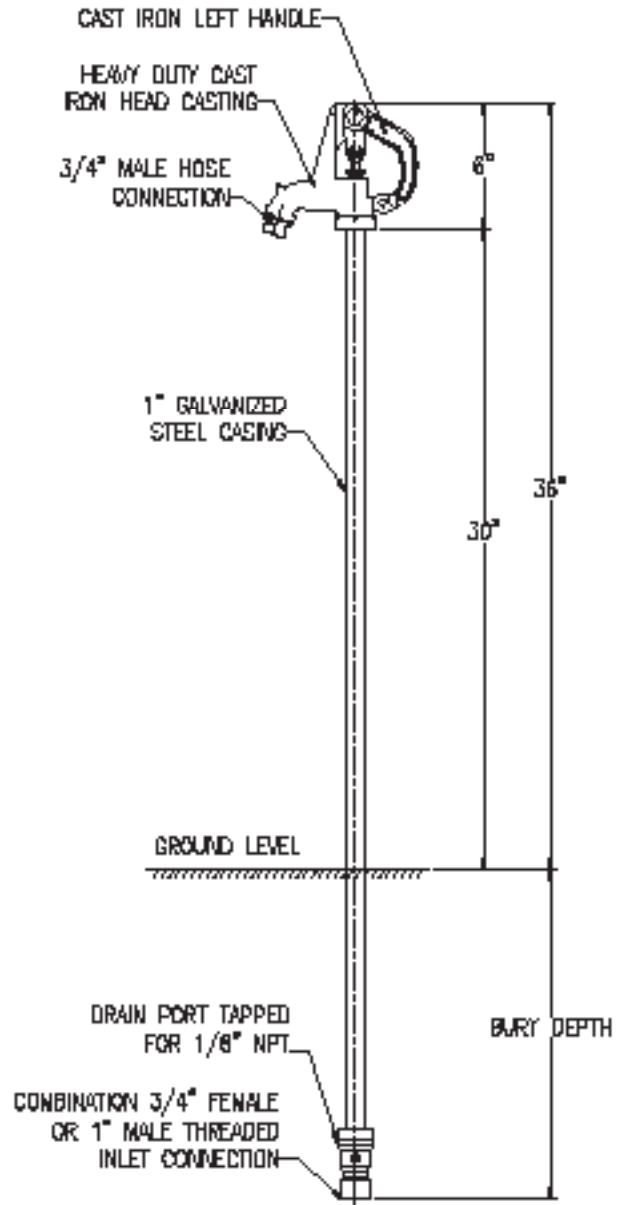


# Yard Hydrants

HY-800

Non-Freeze Yard Hydrant

Catalog Number	Wt. lbs	Wall Thickness	Hose Conn	List Price
HY-800-1	13	1'	3/4"	\$668.00
HY-800-2	15	2'	3/4"	737.00
HY-800-3	19	3'	3/4"	790.00
HY-800-4	23	4'	3/4"	810.00
HY-800-5	27	5'	3/4"	833.00
HY-800-6	31	6'	3/4"	857.00



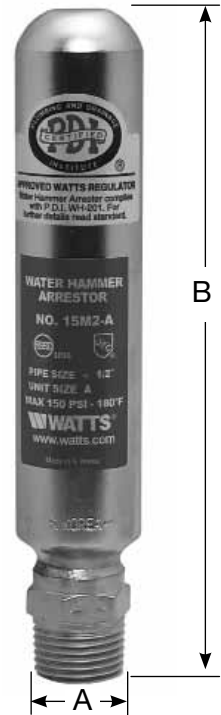
Consult factory for all applications outside of listed parameters.  
Prices do not include applicable taxes.

# Water Hammer Arrestors

## SG Series

## Copper Shock Arrestors

Catalog No.	PDI Size	List Price
SG-050	A	\$142.00
SG-075	B	286.00
SG-100	C	429.00
SG-125	D	1070.00
SG-150	E	1277.00
SG-200	F	1483.00



### Technical Data

	SG-050	SG-075	SG-100	SG-125	SG-150	SG-200
Fixture Unit	1-11	12-32	33-60	61-113	114-154	155-330
Connection	1/2" (13)	3/4" (19)	1" (25)	1" (25)	1" (25)	1" (25)
"A" diameter	1-1/8" (29)	1-3/8" (35)	1-5/8" (41)	2-1/8" (54)	2-1/8" (54)	2-5/8" (67)
"B" Height	5-15/16" (151)	8-9/16" (217)	8-13/16" (224)	9-15/16" (252)	12-11/16" (322)	11-5/32" (283)

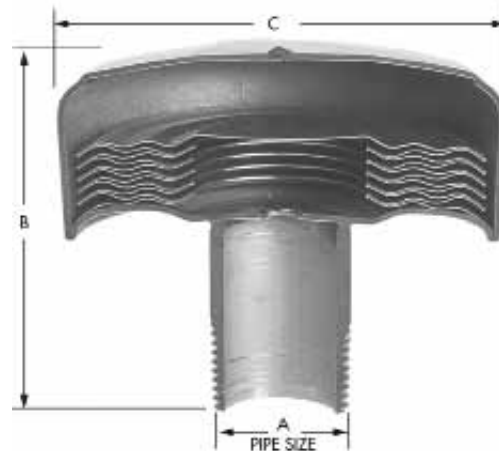
## SS Series

## Stainless Steel Shock Arrestors

Catalog No.	PDI Size	Conn. Size	Height	List Price
SS-A	A	3/4"	3-1/4"	\$306.00
SS-B	B	1"	4-1/4"	614.00
SS-C	C	1"	5-3/4"	924.00
SS-D	D	1"	6-1/2"	2306.00
SS-E	E	1"	6-3/4"	2604.00
SS-F	F	1"	7-1/4"	3200.00



### Stainless Steel Series



### Technical Data

	SS-A	SS-B	SS-C	SS-D	SS-E	SS-F
Fixture Unit	1-11	12-32	33-60	61-113	114-154	155-330
"A" connection	3/4" (19)	1" (25)	1" (25)	1" (25)	1" (25)	1" (25)
"B" height	3-3/16" (81)	4" (102)	4-5/16" (110)	5-1/4" (133)	7" (178)	7" (178)
"C" diameter	3-1/4" (83)	3-1/4" (83)	3-1/4" (83)	3-1/4" (83)	3-1/4" (83)	3-1/4" (83)
PDI Size	A	B	C	D	E	F

Consult factory for all applications outside of listed parameters.

Prices do not include applicable taxes.

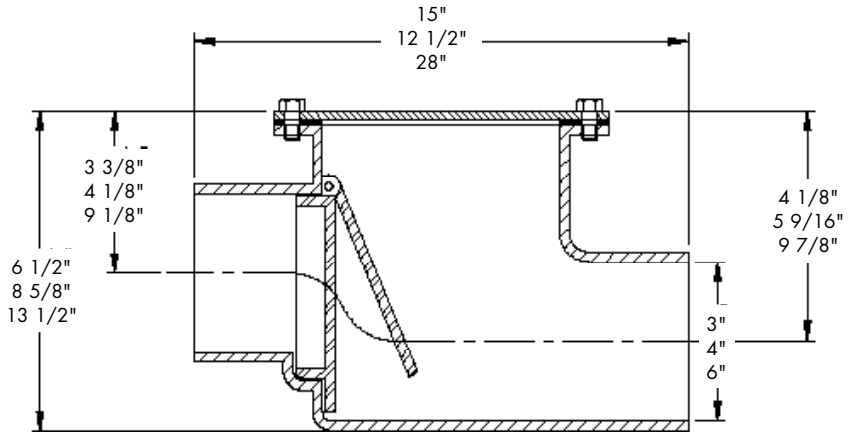


# Backwater Valves

## BV-200

### Cast Iron In-Line Backwater Valve

Catalog Number	Wgt. Lbs.	Size	List Price
BV-203	16	3"	\$1235.00
BV-204	22	4"	1521.00
BV-206	30	6"	2189.00



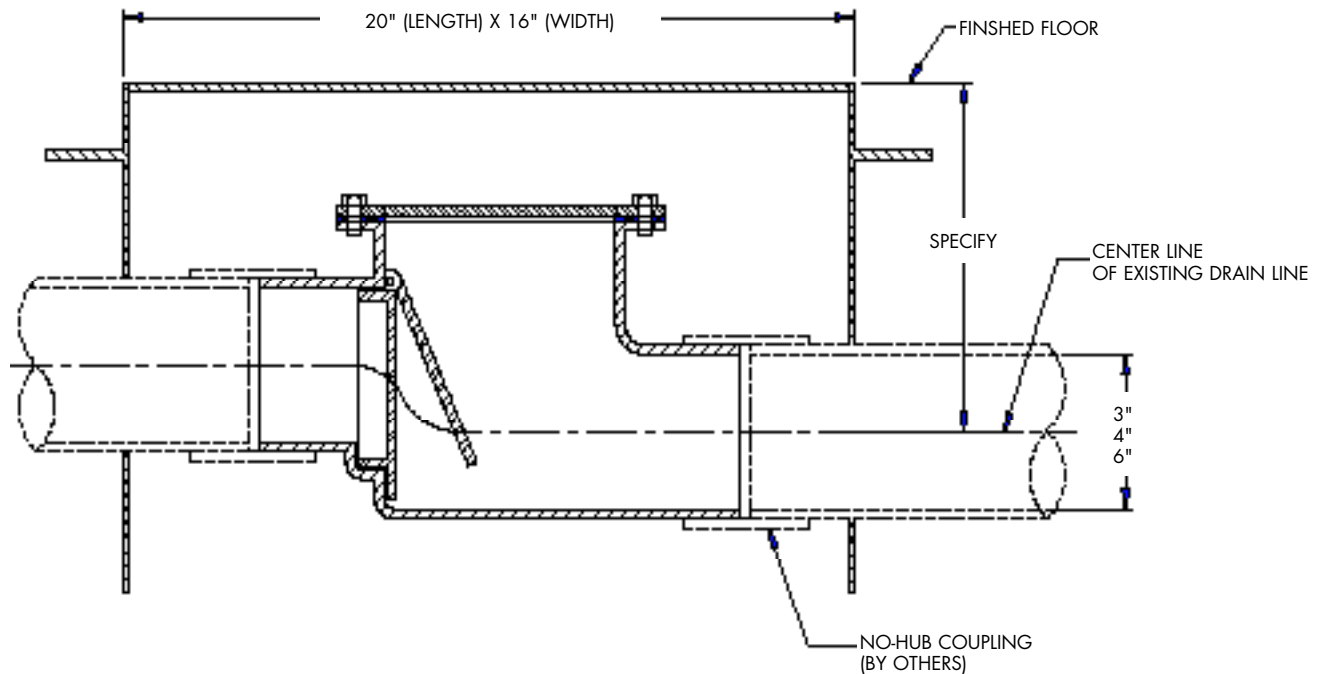
NH Size	A	B	C	D
3"	15	6-1/2	3-3/8	4-1/8
4"	12-1/2	8-5/8	4-1/8	5-9/16
6"	28	13-1/2	9-1/8	9-7/8

## BV-240

### In-Line Backwater Valve with Access Housing

Catalog Number	Wgt. Lbs.	Size	List Price
BV-243	16	3"	\$2668.00
BV-244	22	4"	2952.00
BV-246	30	6"	3618.00

Note: Epoxy-coated Steel Access Housing



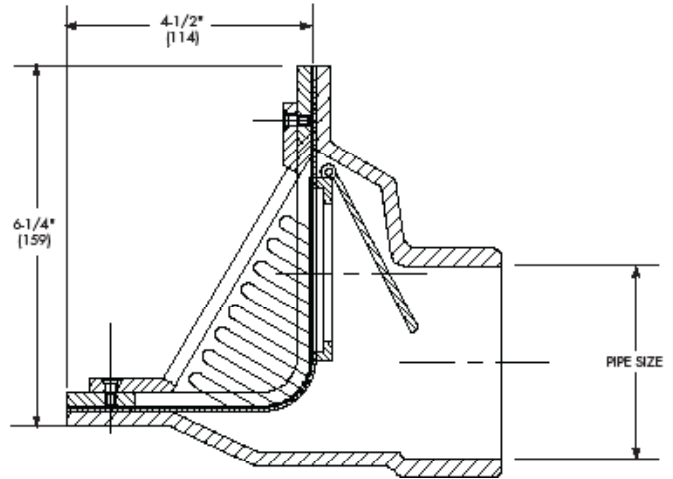
Consult factory for all applications outside of listed parameters.  
Prices do not include applicable taxes.

# Backwater Valves/Trap Primers

**BV-600**

**Pit Drain with Backwater Valve**

Catalog Number	Wgt. Lbs.	Size	List Price
BV-602,3,4	40	2, 3, 4"	\$1114.00



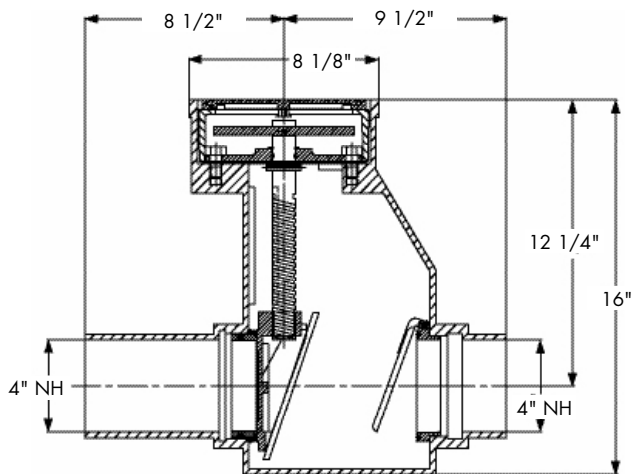
### Options for BV-600

Suffix	Description	List Price
-1	Nickel Bronze Grate & Frame	533.00
-6	Vandal Proof Grate	92.00
-14	Flat Grate	33.00

**BV-800**

**Shut-Off Valve**

Catalog Number	Wgt. Lbs.	Size	List Price
BV-804	65	4"	\$2699.00



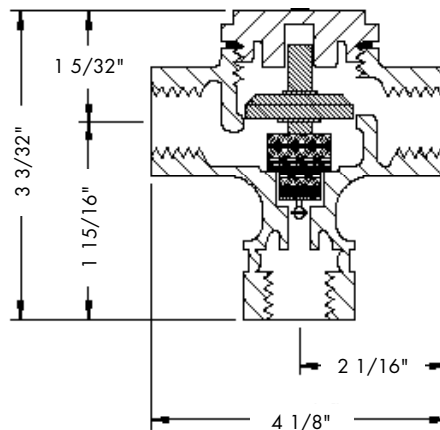
### Options for BV-800

Suffix	Description	List Price
-E	8" Stackable Extension	\$628.00

**A-200**

**Trap Primer Valve**

Catalog Number	Size	Material	Conn.	List Price
A-200	1/2"	cast bronze	Sweat	\$177.00
A-200T	1/2"	cast bronze	Thread	177.00



Consult factory for all applications outside of listed parameters.  
Prices do not include applicable taxes.



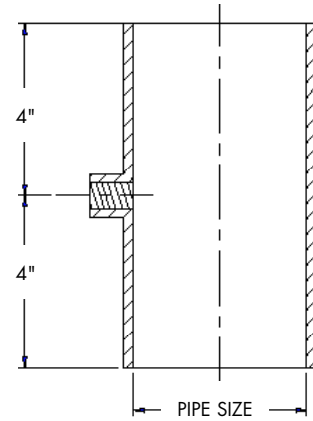


# Miscellaneous Specialties

**MS-930**

**Trap Primer Adaptor**

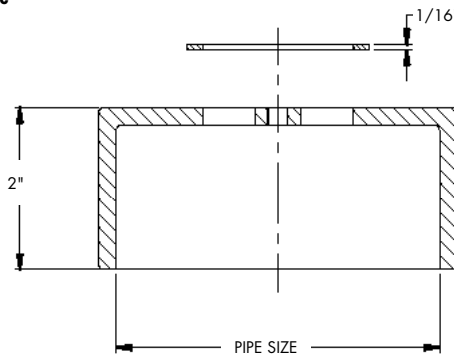
Catalog Number	Size	Material	List Price
MS-932, 3, 4	2", 3", 4"	cast iron	\$117.00



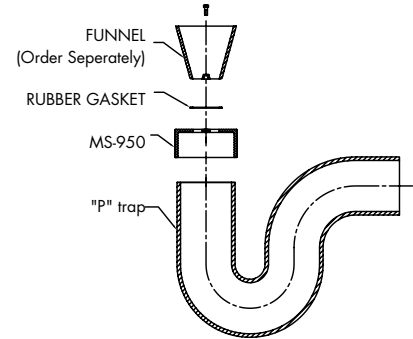
**MS-950**

**Funnel/Trap Adaptor**

Catalog Number	Size	Material	List Price
MS-952,3	2,3"	Cast Iron	\$73.00



**Typical Assembly**



**MS-8000**

**Fresh Air Inlet**

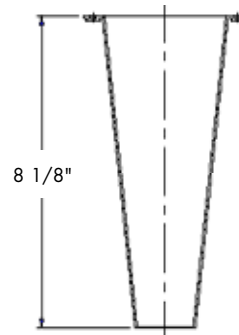
Catalog Number	Size	Material	Wt., lbs.	List Price
MS-8034	3, 4"	Nickel Bronze	3	\$348.00
MS-8056	5, 6"	Nickel Bronze	4	597.00



**PS Series**

**Plastic Pipe Sleeves**

Catalog Number	Size	Taper Degree	Carton Qty.	List Price
PS-0151	1-1/2"	3	336	\$ 5.60
PS-021	2"	3	280	7.30
PS-033	3"	3	168	8.90
PS-043	4"	3	96	12.80
PS-053	5"	3	72	13.60
PS-063	6"	3	40	16.30
PS-083	8"	3	n/a	27.10
PS-101	10"	3	n/a	35.90
PS-121	12"	1	n/a	59.20



Consult factory for all applications outside of listed parameters.  
Prices do not include applicable taxes.

# Industry Standard Water Closet Carriers

## ISCA-101

### Horizontal Adjustable Closet Carrier

Catalog Number	Wt., Lbs	Description	List Price
ISCA-101-L	77	Single Horizontal - Left Hand	\$913.00
ISCA-101-R	77	Single Horizontal - Right Hand	913.00
ISCA-101-L-AUX	77	Single Horizontal - LH - 2" Aux Conn.	1122.00
ISCA-101-R-AUX	77	Single Horizontal - RH - 2" Aux Conn.	1122.00
ISCA-101-D	135	Back to Back Horizontal	1709.00



ISCA-101-L



ISCA-101-D

## ISCA-121

### Vertical Adjustable Closet Carrier

Catalog Number	Wt., Lbs	Description	List Price
ISCA-121	97	Single Vertical	\$1034.00
ISCA-121-D	160	Back to Back Vertical	1830.00



ISCA-121



ISCA-121-D

## ISCA-131

### Vertical Adjustable Closet Carrier with Side Inlet(s)

Catalog Number	Wt., Lbs	Description	List Price
ISCA-131-L	97	Single Vertical LH - Side Inlet	\$1212.00
ISCA-131-R	97	Single Vertical RH - Side Inlet	1212.00
ISCA-131-2	97	Single Vertical - Two Side Inlets	1389.00
ISCA-131-D	160	Back to Back Vertical - Side Inlet	2002.00
ISCA-131-D2	160	Back to Back Vertical - Two Side Inlets	2179.00



ISCA-131



ISCA-131-D

Consult factory for all applications outside of listed parameters.

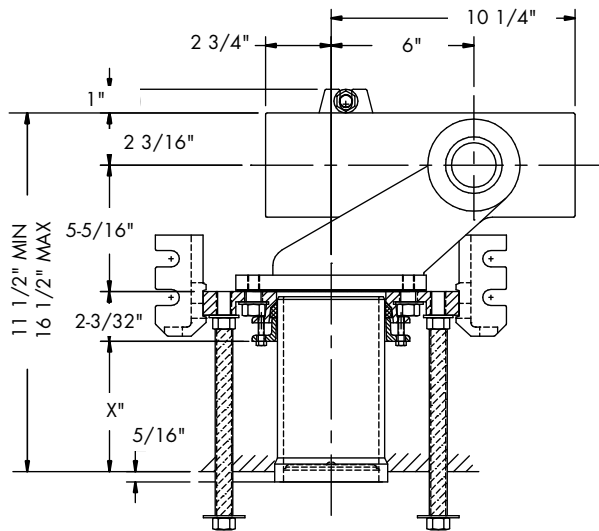
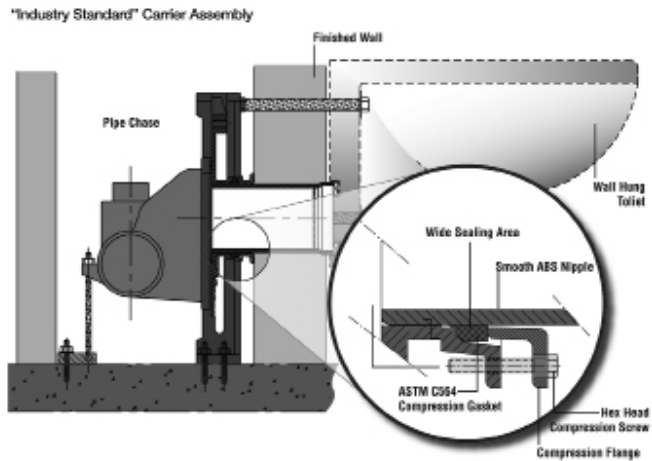
Prices do not include applicable taxes.



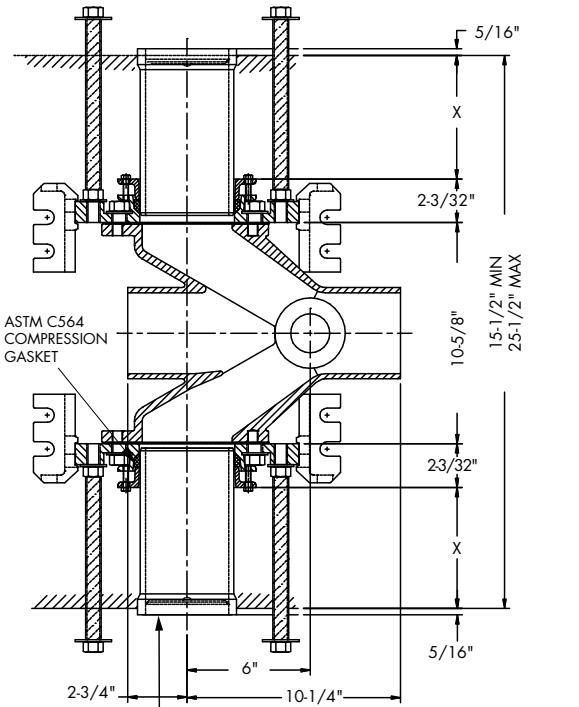
# Industry Standard Water Closet Carriers

## Industry Standard Carrier Options & Parts

Catalog Number	Description	List Price
-BF	Assy. For Back Outlet Bowl, Single	No Add
	Assy. For Back Outlet Bowl, Double	No Add
CA-100-EXT	Auxiliary Support System, Single	496.00
	Auxiliary Support System, Double	992.00
-HS	Hub and Spigot Connection	25.00
-M1	Extended ABS Nipple Up to 24", Single	146.00
	Extended ABS Nipple Up to 24", Double	292.00
-M11	Tiling Frame, Single	47.00
	Tiling Frame, Double	94.00
-M16	Vandal Proof Cap Nuts, Single	77.00
	Vandal Proof Cap Nuts, Double	154.00
-M20	Flush Valve Support, Single	50.00
	Flush Valve Support, Double	100.00
-XH	Extra Heavy 500# Carrier, Single	150.00
	Extra Heavy 500# Carrier, Double	300.00
-36	Horizontal NH Long Barrel (36")	220.00



**Industry Standard ISCA-101-L/R**

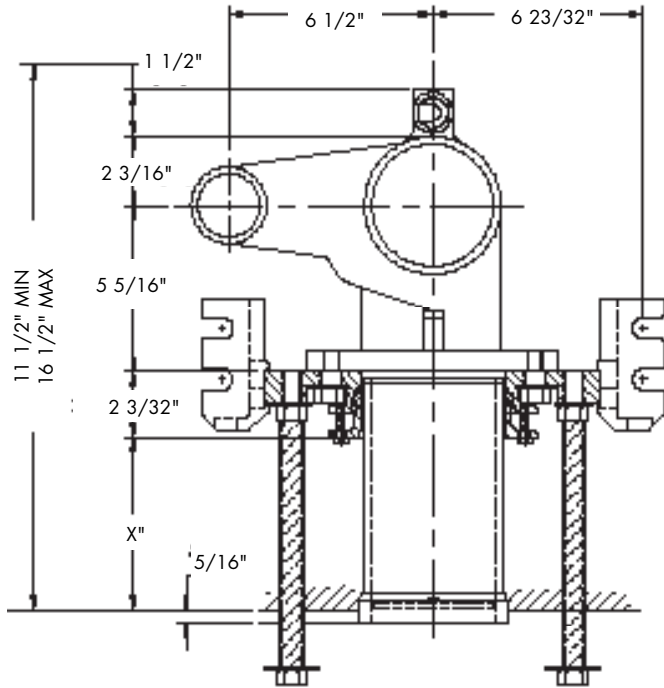


**Industry Standard ISCA-101-D**

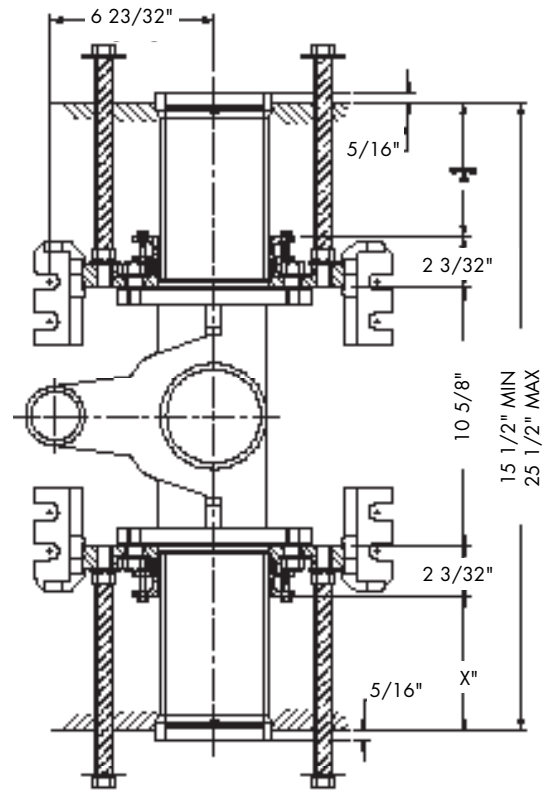


Consult factory for all applications outside of listed parameters.  
Prices do not include applicable taxes.

# Industry Standard Water Closet Carriers



**Industry Standard ISCA-121**

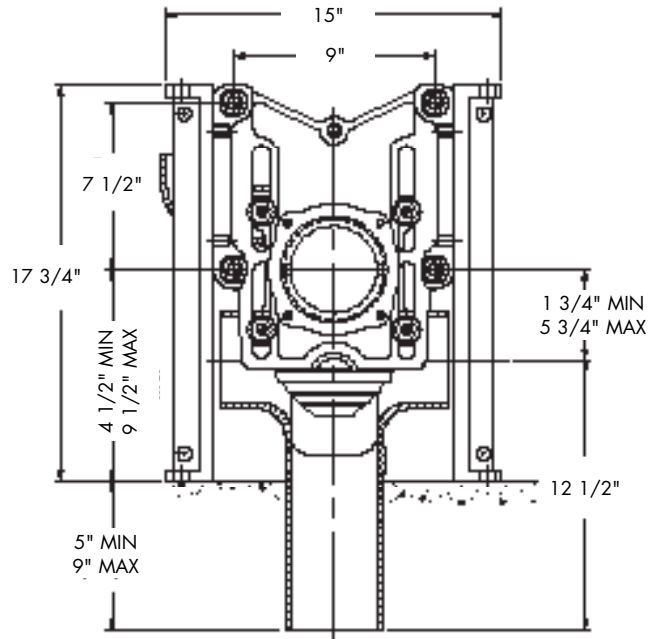
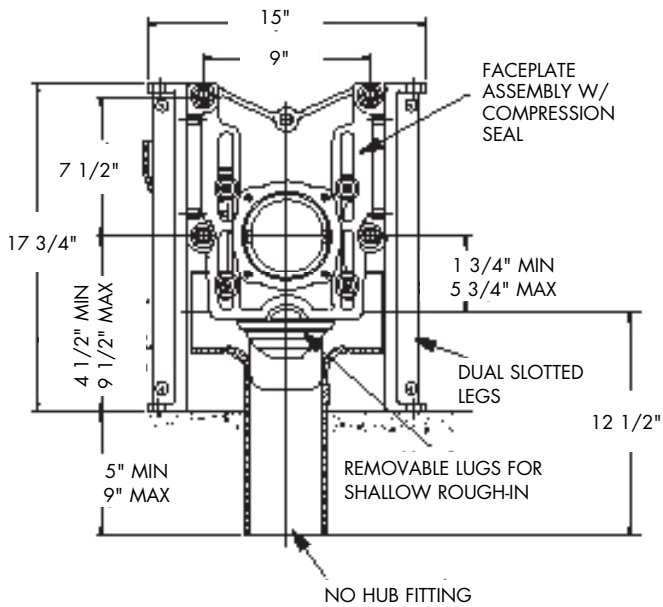
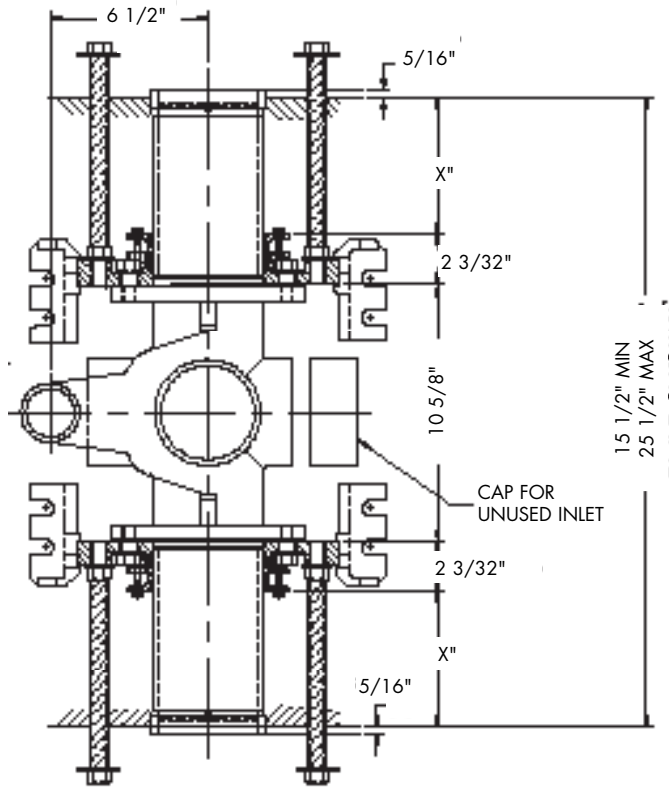
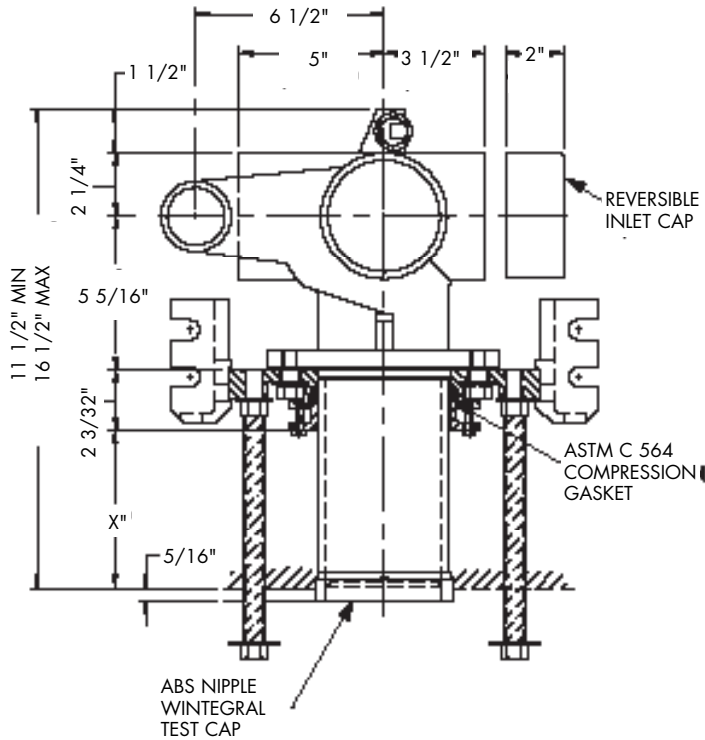


**Industry Standard ISCA-121-D**

Consult factory for all applications outside of listed parameters.  
Prices do not include applicable taxes.



# Industry Standard Water Closet Carriers



**Industry Standard ISCA-131**

**Industry Standard ISCA-131-D**



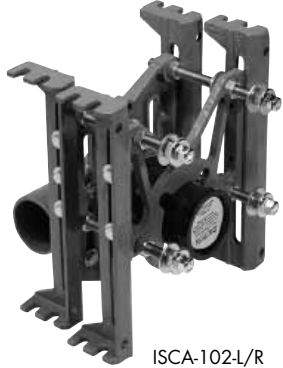
Consult factory for all applications outside of listed parameters.  
Prices do not include applicable taxes.

# Industry Standard Water Closet Carriers

## ISCA-102

### Horizontal 1000 lb. Bariatric Closet Carrier

Catalog Number	Wt., Lbs	Description	List Price
ISCA-102-L	108	Single Horizontal - Left Hand	\$2674.00
ISCA-102-R	108	Single Horizontal - Right Hand	2674.00
ISCA-102-D	186	Back to Back Horizontal	5260.00



ISCA-102-L/R

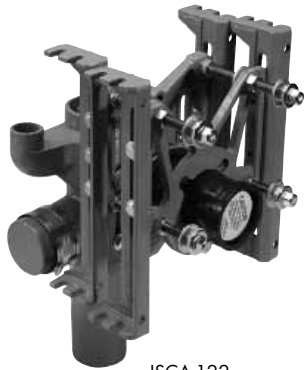


ISCA-102-D

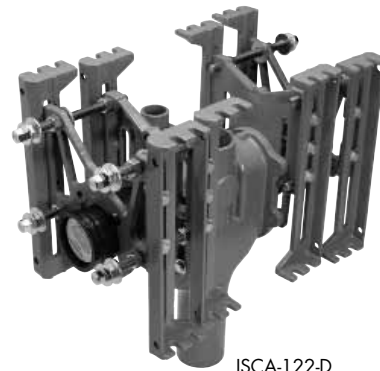
## ISCA-122

### Vertical 1000 lb. Bariatric Closet Carrier

Catalog Number	Wt., Lbs	Description	List Price
ISCA-122	117	Single Vertical	\$2942.00
ISCA-122-D	195	Back to Back Vertical	5678.00



ISCA-122

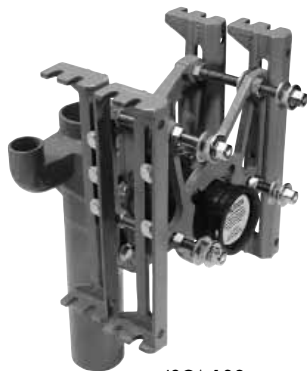


ISCA-122-D

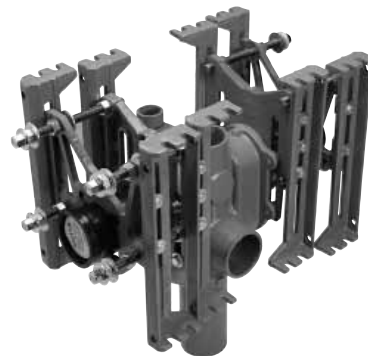
## ISCA-132

### Vertical 1000 lb. Bariatric Closet Carrier

Catalog Number	Wt., Lbs	Description	List Price
ISCA-132	121	Single Vertical w/Slide Inlet(s)	\$3151.00
ISCA-132-D	199	Back to Back Vertical w/Slide Inlet(s)	5887.00



ISCA-132

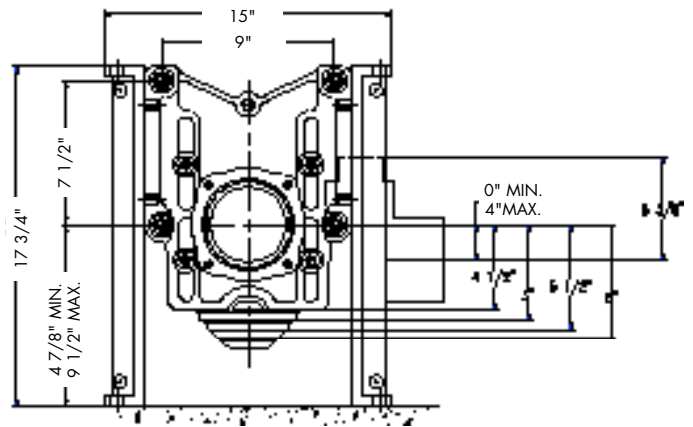
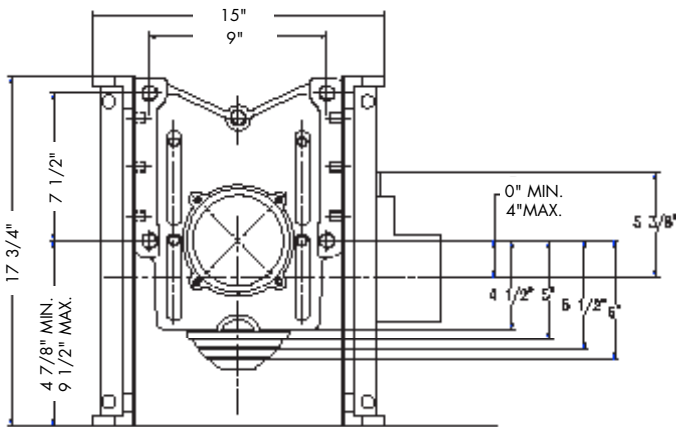
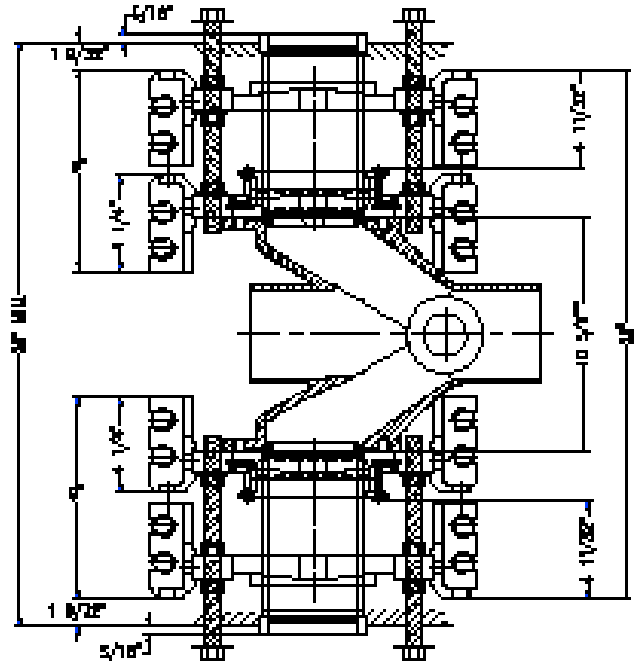
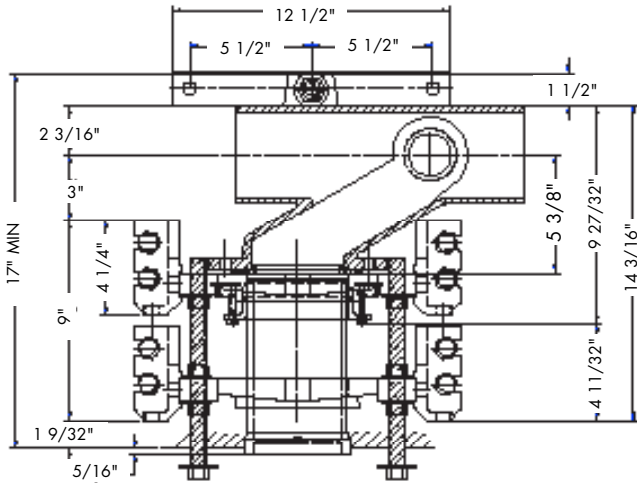


ISCA-132-D

Consult factory for all applications outside of listed parameters.  
Prices do not include applicable taxes.



# Industry Standard Water Closet Carriers



Industry Standard ISCA-102-L/R

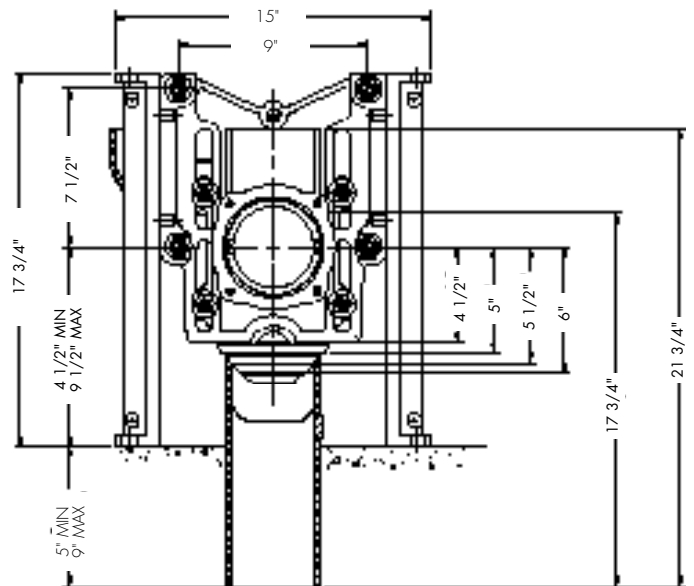
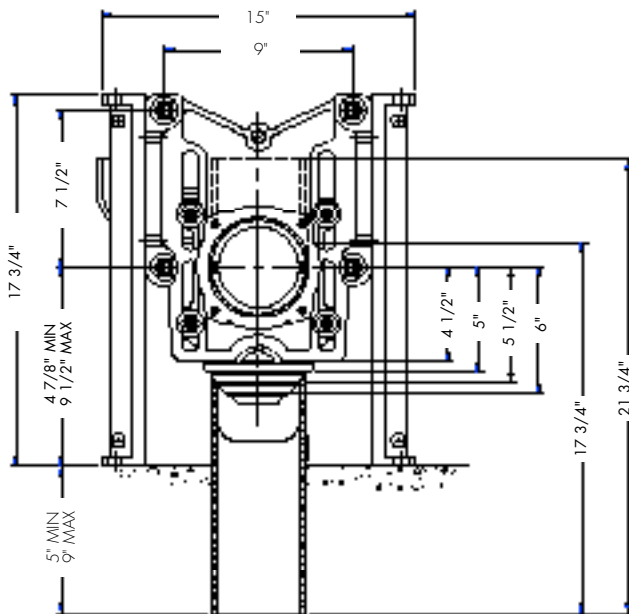
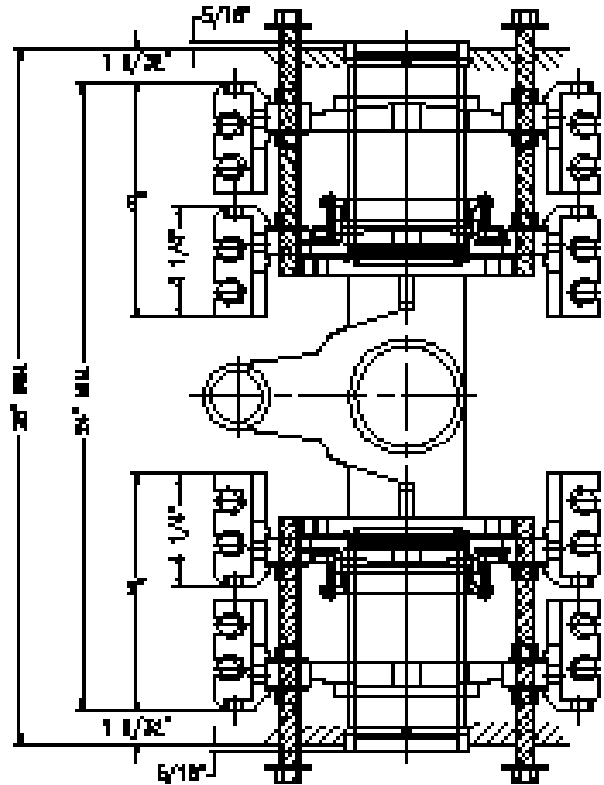
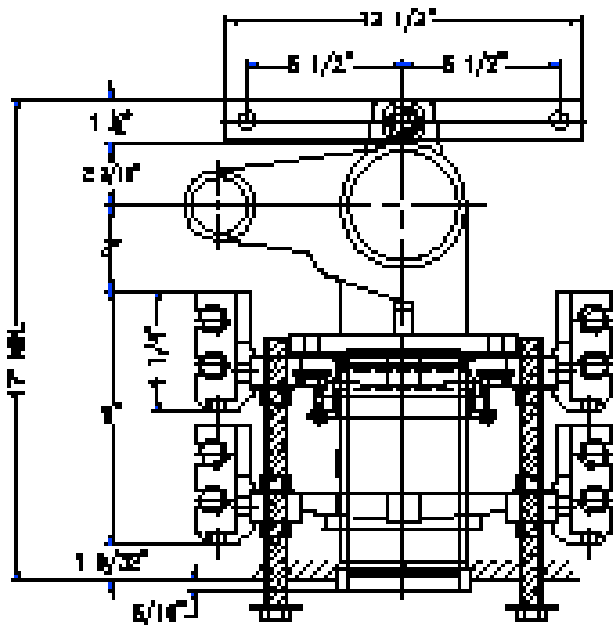
Industry Standard ISCA-102-D



Consult factory for all applications outside of listed parameters.  
Prices do not include applicable taxes.



# Industry Standard Water Closet Carriers



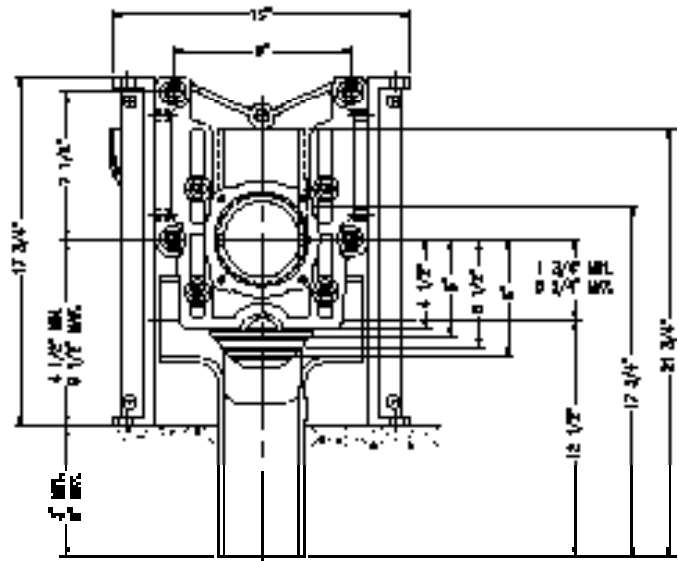
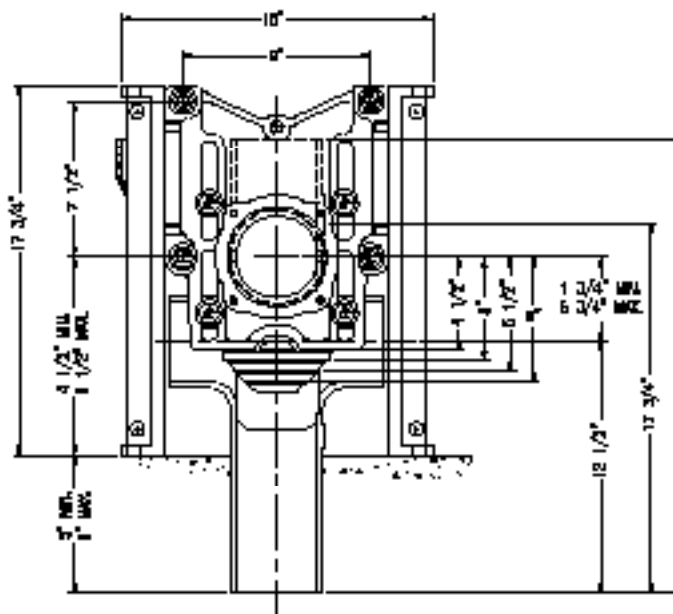
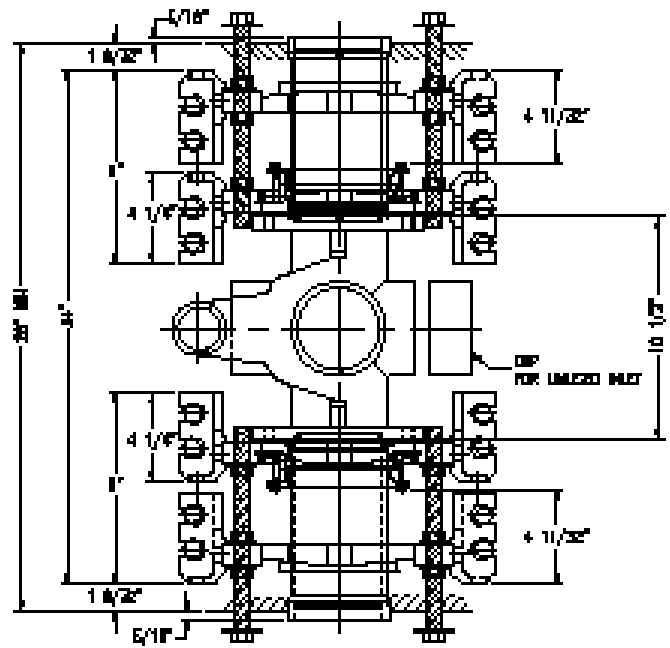
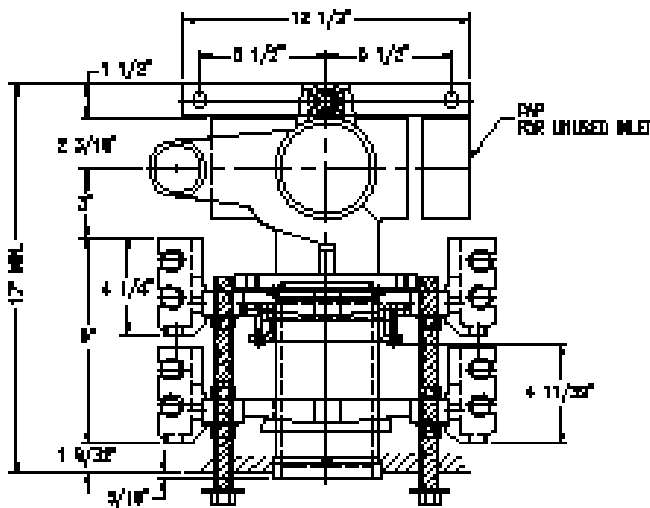
**Industry Standard ISCA-122**

**Industry Standard ISCA-122-D**

Consult factory for all applications outside of listed parameters.  
Prices do not include applicable taxes.



# Industry Standard Water Closet Carriers



Industry Standard ISCA-132

Industry Standard ISCA-132-D



Consult factory for all applications outside of listed parameters.  
Prices do not include applicable taxes.

# Industry Standard Thin Wall Water Closet Carriers

## ISCA-141 Thin Wall Closet Carrier

Catalog Number	Wt., Lbs	Description	List Price
ISCA-141-3	52	3" Waste, 2" Vent	\$822.00
ISCA-141-4-V2	62	4" Waste, 2" Vent	822.00
ISCA-141-4-V4	62	4" Waste, 4" Vent	822.00
ISCA-141-4-D-V2	94	Back to Back, 4" Waste, 2" Vent	1400.00
ISCA-141-4-D-V4	94	Back to Back, 4" Waste, 4" Vent	1400.00



ISCA-141



ISCA-141-D

## ISCA-151 Thin Wall Offset Closet Carrier

Catalog Number	Wt., Lbs	Description	List Price
ISCA-151-L	72	Single – Left Hand	\$822.00
ISCA-151-R	72	Single – Right Hand	822.00
ISCA-151-D	107	Back to Back	1400.00



ISCA-151



ISCA-151-D

## ISCA-141, ISCA-151 Options

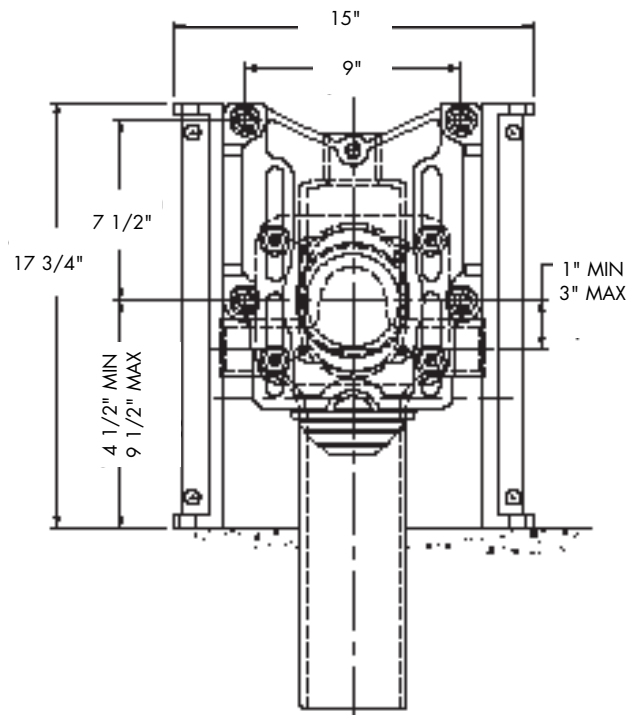
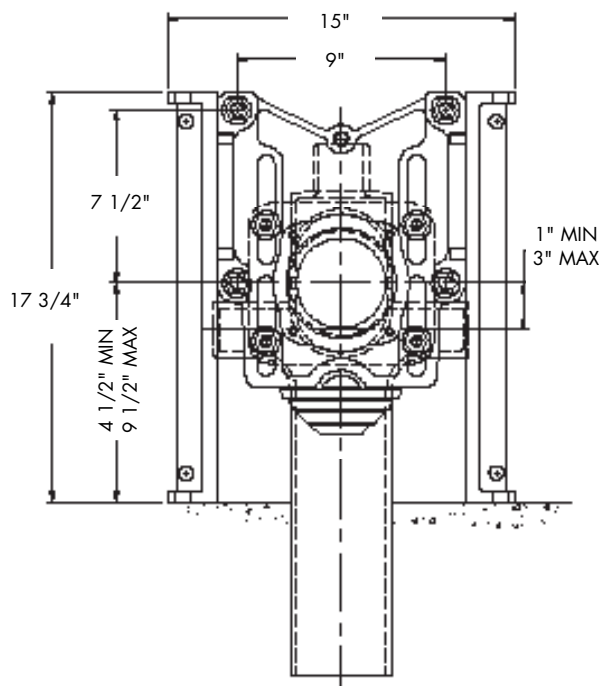
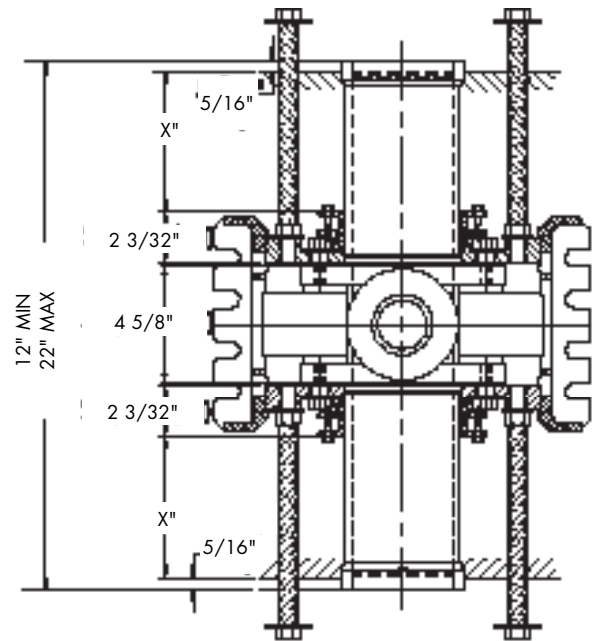
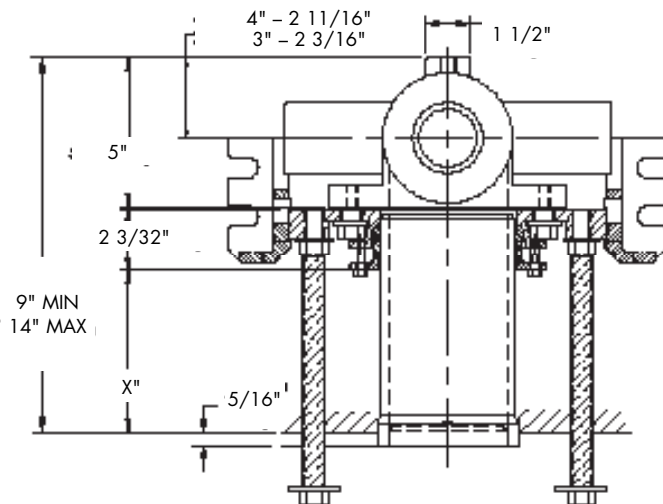
Catalog Number	Description	List Price
-M1	Extended ABS Nipple Up to 24" (Single)	146.00
	Extended ABS Nipple Up to 24" (Double)	292.00
-M11	Tiling Frame, Single	47.00
	Tiling Frame, Double	94.00
-M16	Vandal Proof Cap Nuts, Single	77.00
	Vandal Proof Cap Nuts, Double	154.00
-M20	Flush Valve Support, Single	50.00
	Flush Valve Support, Double	100.00
-M23	2" Right Side Inlet	214.00
-M24	2" Left Side Inlet	214.00
-XH	Extra Heavy 500# Carrier, Single	150.00
	Extra Heavy 500# Carrier, Double	300.00

Consult factory for all applications outside of listed parameters.

Prices do not include applicable taxes.



# Industry Standard Thin Wall Water Closet Carriers



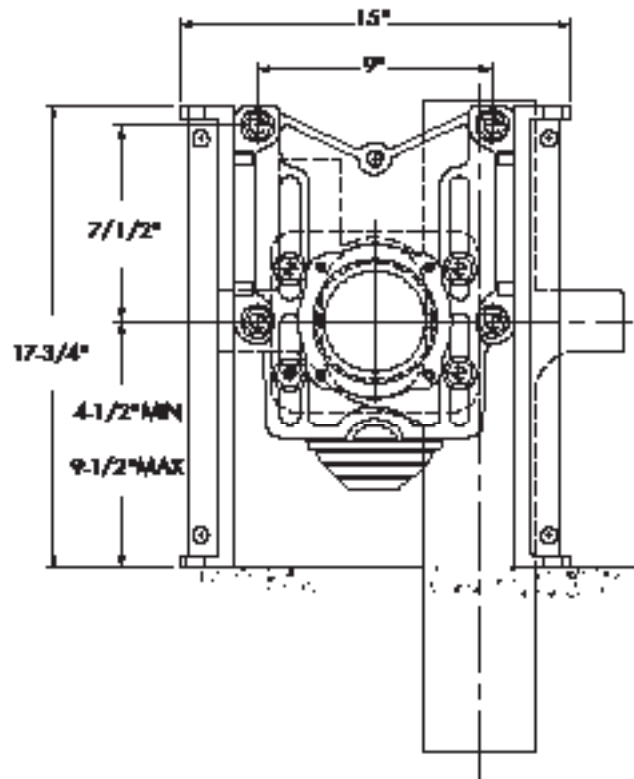
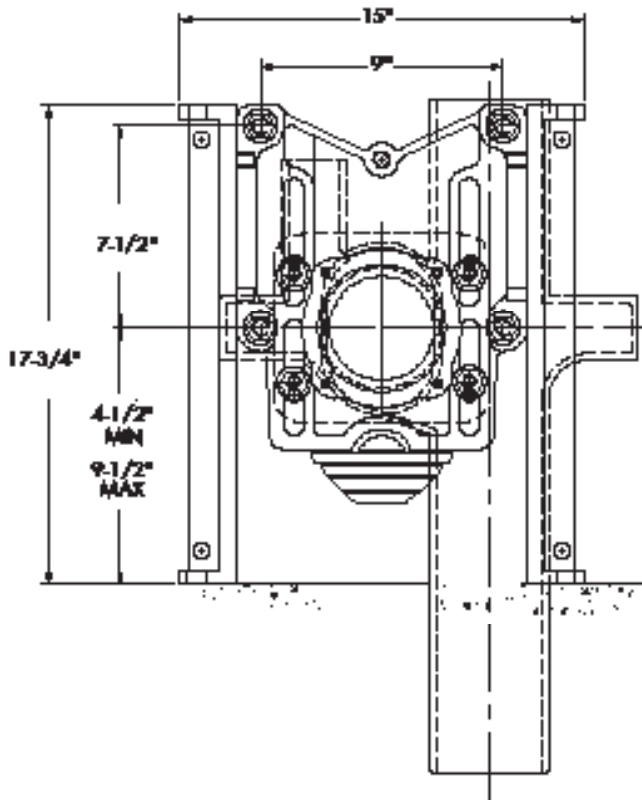
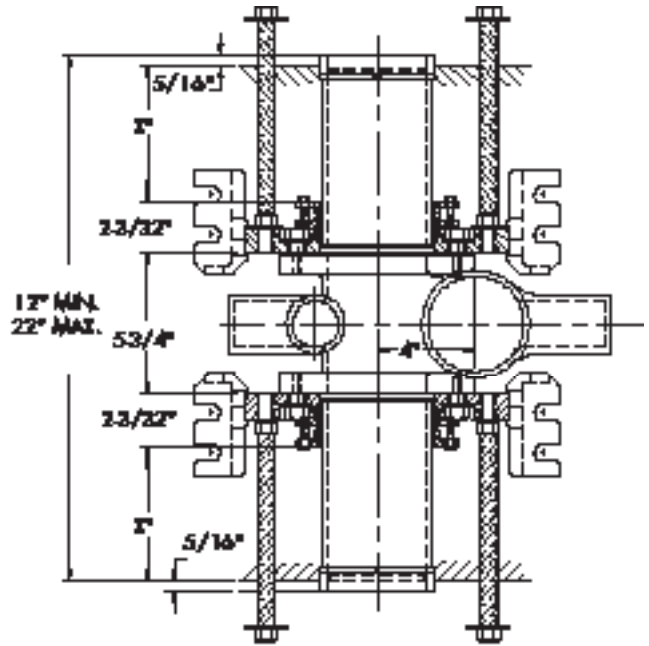
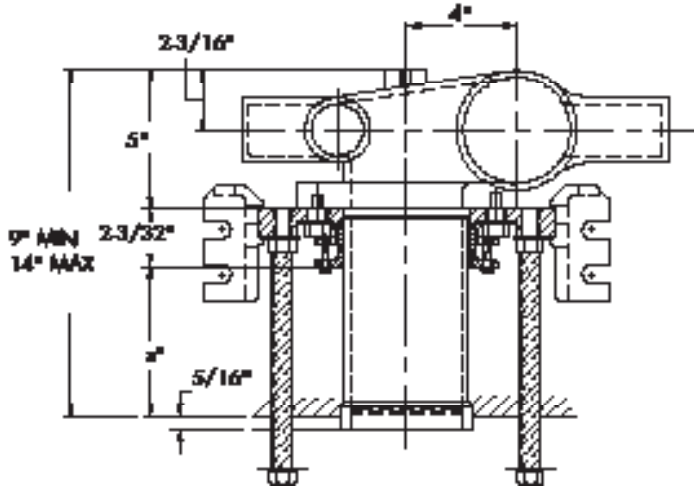
ISCA-141

ISCA-141-D



Consult factory for all applications outside of listed parameters.  
Prices do not include applicable taxes.

# Industry Standard Thin Wall Water Closet Carriers



ISCA-151

ISCA-151-D

Consult factory for all applications outside of listed parameters.  
Prices do not include applicable taxes.

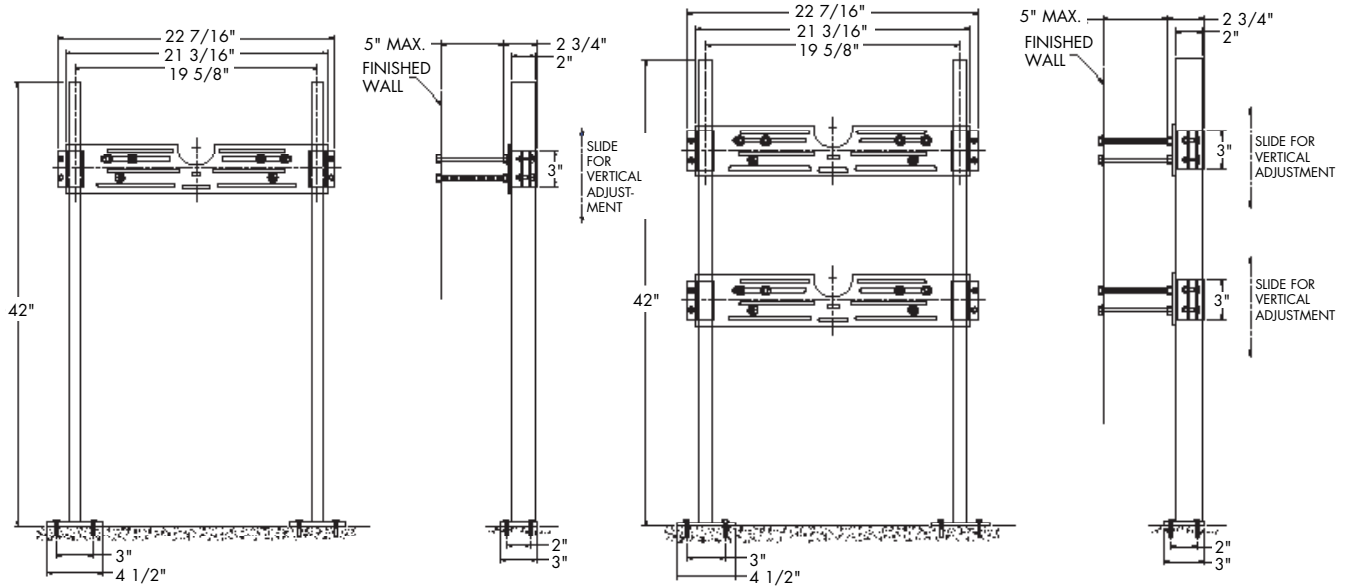


# Lavatory/Urinal Carriers

CA-311, 321

Urinal Carriers

Catalog Number	Wt., lbs.	Description	List Price
CA-311	26	Single Plate	\$432.00
CA-321	26	with Bearing Plate	482.00



CA-311

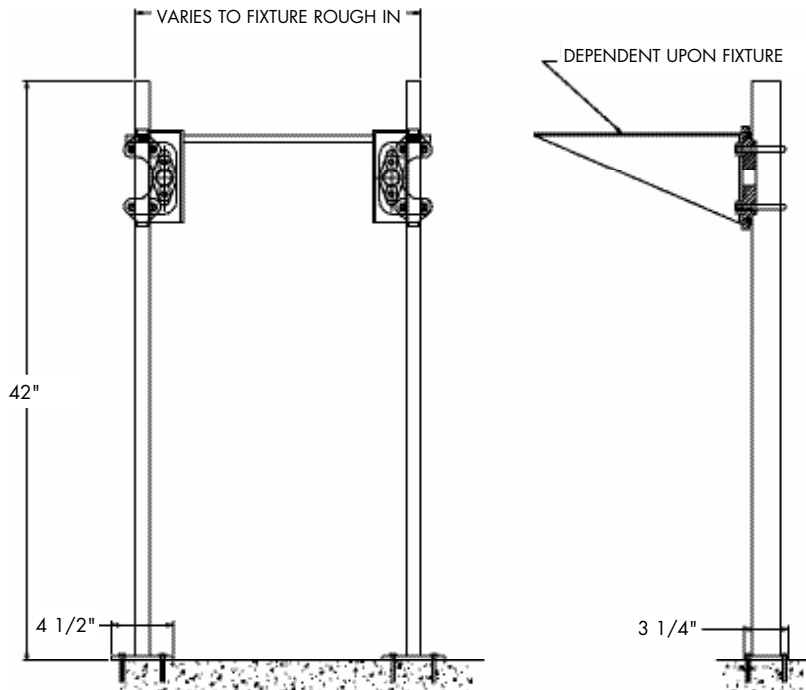
CA-321

CA-401

Floor Mounted Lavatory Carrier with Exposed Arms

Catalog Number	Description	List Price
CA-401	Single, Exposed Arms	\$811.00
CA-401-D	Back to Back, Exposed Arms	1272.00

Note: Specify arm length or fixture model when ordering



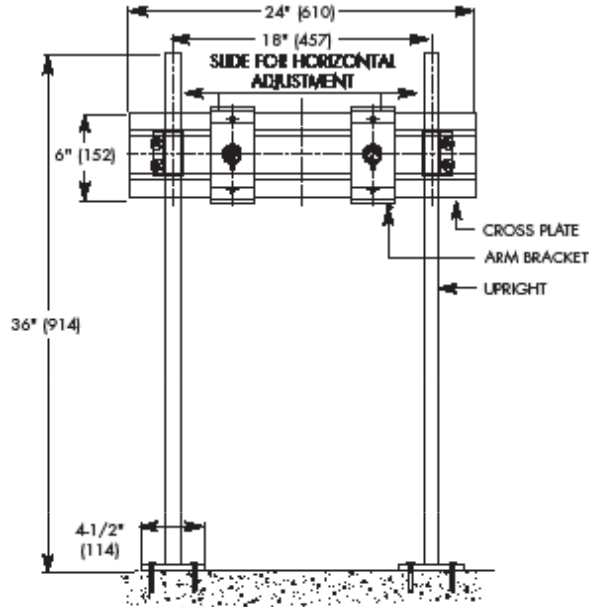
Consult factory for all applications outside of listed parameters.  
Prices do not include applicable taxes.

# Lavatory Carriers

## TCA-411

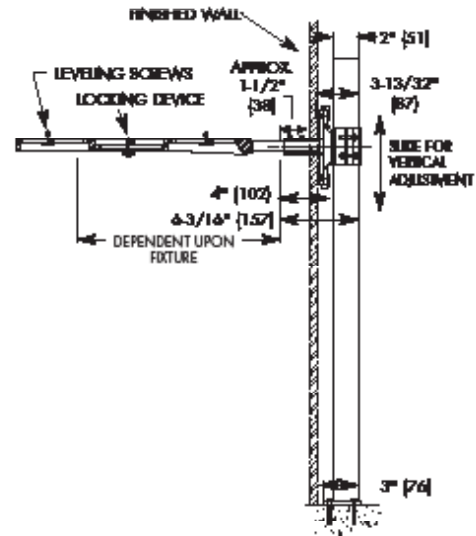
### Floor Mounted "Track" Lavatory Carrier w/Concealed Arms

Catalog Number	Wt., lbs.	Description	List Price
TCA-411	35	Single, Concealed Arms	\$570.00
TCA-411-D	60	Back to Back, Concealed Arms	811.00
TCA-411-WC	37	Single, Concealed Arms, 27 x 20 Lavatory	606.00
TCA-411-D-WC	64	Double, Concealed Arms, 27 x 20 Lavatory	883.00



#### Options for TCA-411

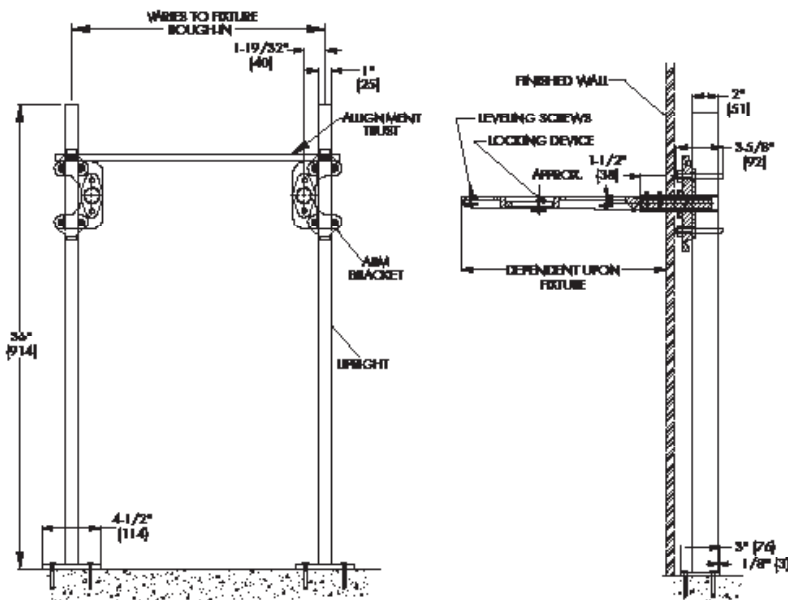
Suffix	Description	List Price
-M54	2" Chrome Plated Escutcheons, Single	95.00
	2" Chrome Plated Escutcheons, Double	190.00
-M55	4" Chrome Plated Escutcheons, Single	172.00
	4" Chrome Plated Escutcheons, Double	344.00
-M60	Valve Support Plate, Single	86.00
	Valve Support Plate, Double	172.00



## WCA-411

### Floor Mounted Lavatory Carrier with Concealed Arms

Catalog Number	Wt., lbs.	Description	List Price
WCA-411	35	Single, Concealed Arms	\$570.00
WCA-411-D	60	Back to Back, Concealed Arms	811.00
WCA-411-WC	37	Single, Concealed Arms, 27 x 20 Lavatory	606.00
WCA-411-D-WC	64	Double, Concealed Arms, 27 x 20 Lavatory	883.00



#### Options for WCA-411

Suffix	Description	List Price
-M54	2" Chrome Plated Escutcheons, Single	95.00
	2" Chrome Plated Escutcheons, Double	190.00
-M55	4" Chrome Plated Escutcheons, Single	172.00
	4" Chrome Plated Escutcheons, Double	344.00
-M60	Valve Support Plate, Single	86.00
	Valve Support Plate, Double	172.00

Consult factory for all applications outside of listed parameters.

Prices do not include applicable taxes.



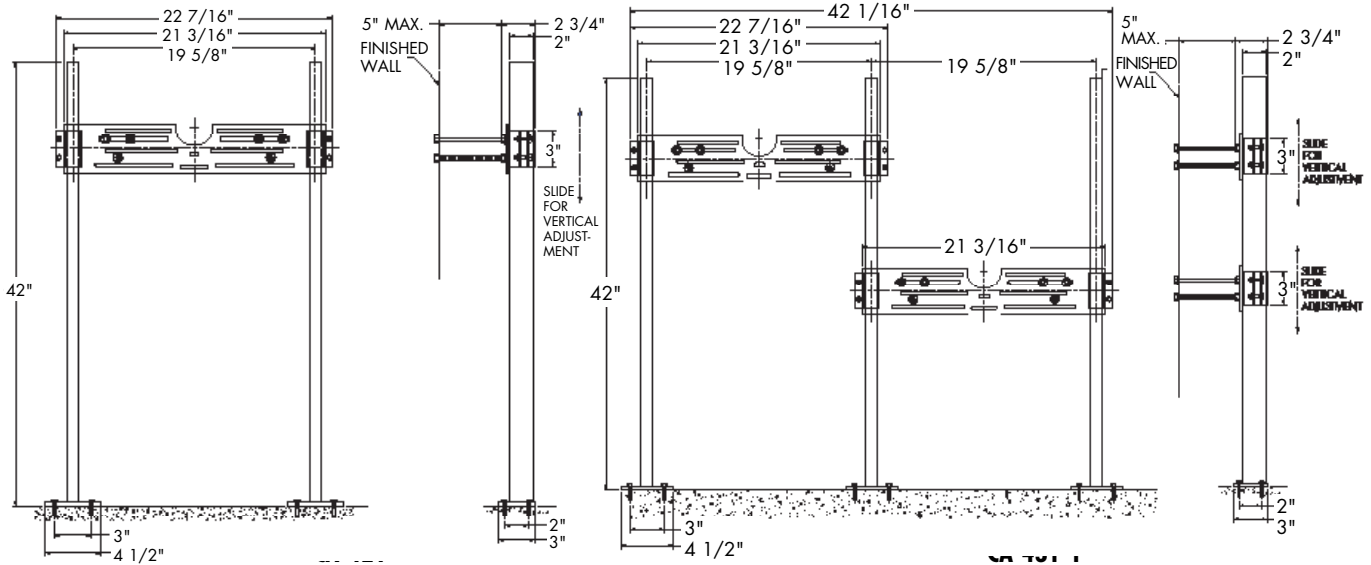


# Lavatory/Water Cooler Carriers

CA-421  
CA-431-1

Floor Mounted Plate Type Lavatory/  
Water Cooler Carrier

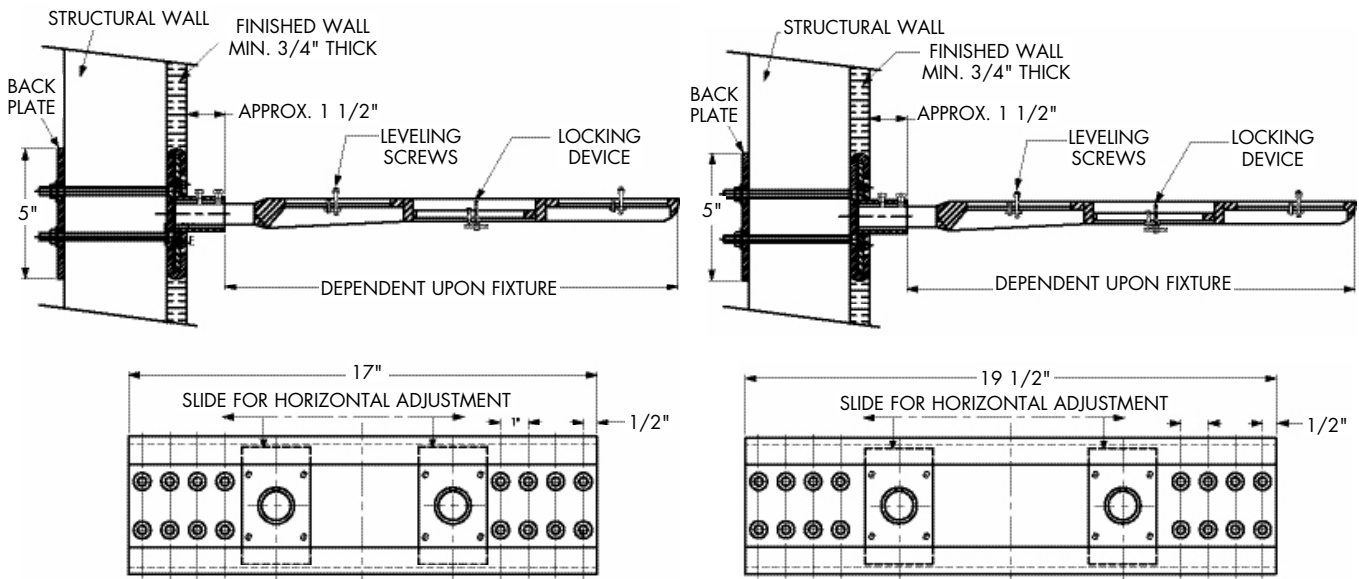
Catalog Number	Wt., lbs.	Description	List Price
CA-421	28	Plate Type for Lavatory/Water Cooler	\$432.00
CA-431-1	50	Plate Type for Hi-Low Water Cooler	708.00



TCA-440  
TCA-450

Wall Mounted "Track" Lavatory Carrier  
with Concealed Arms

Catalog Number	Wt., lbs.	Description	List Price
TCA-440	28	Concealed Arms, Standard Lavatory	\$420.00
TCA-450	30	Concealed Arms, 27x20 Lavatory	441.00



TCA-440

TCA-450



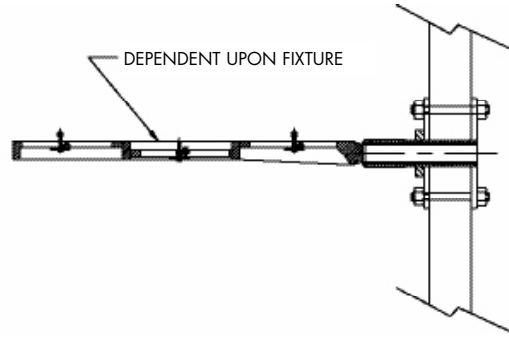
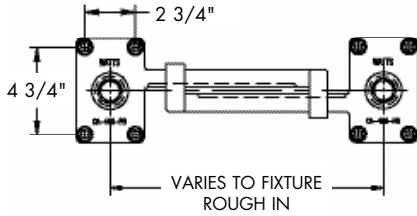
Consult factory for all applications outside of listed parameters.  
Prices do not include applicable taxes.

# Lavatory/Service Sink Carriers

CA-461  
CA-462

## Wall Mounted Concealed Arm Lavatory Carriers

Catalog Number	Wt., lbs.	Description	List Price
CA-461	30	Concealed Arms with Back Plate	\$338.00
CA-462	24	Concealed Arms	338.00

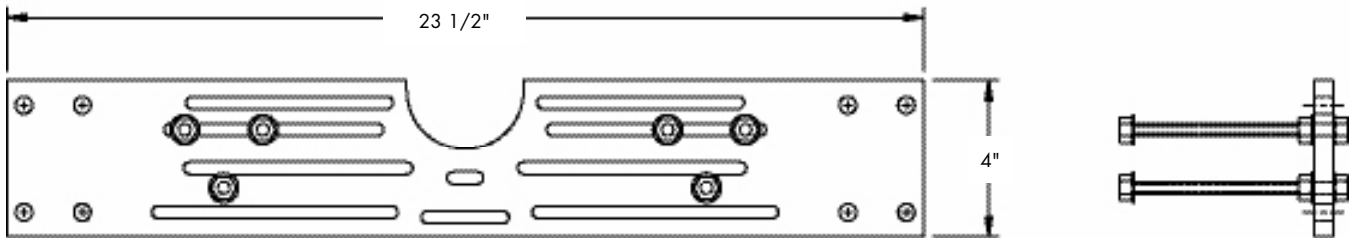


Note: See CA-411 Options page 103.

CA-481

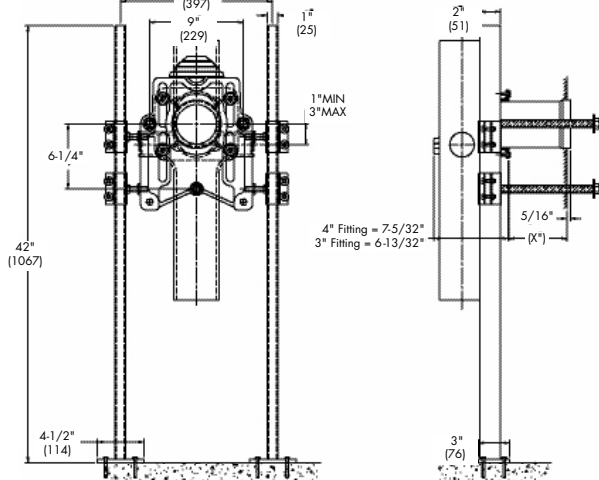
## Wall Plate

Catalog Number	Description	List Price
CA-481	Wall Plate with Studs	\$119.00

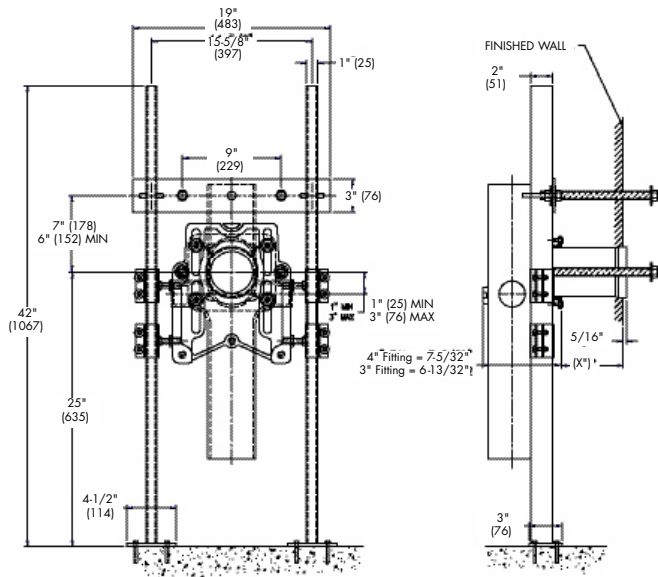


## ISCA-550, ISCA-560 Service Sink Carriers

Catalog Number	Wt., lbs.	Description	List Price
ISCA-550-3	60	3" Waste, 2" Vent	\$825.00
ISCA-550-4-V2	60	4" Waste, 2" Vent	825.00
ISCA-550-4-V4	60	4" Waste, 4" Vent	825.00
ISCA-560-3	60	3" Waste, 2" Vent	825.00
ISCA-560-4-V2	60	4" Waste, 2" Vent	825.00
ISCA-560-4-V4	60	4" Waste, 4" Vent	825.00



ISCA-550



ISCA-560

Consult factory for all applications outside of listed parameters.

Prices do not include applicable taxes.



## Roof to Basement Drainage Solutions



Watts Drainage offers a complete line of specification drainage products



- Floor Drains
- Trench Drains
- Interceptors
- Hydrants
- Miscellaneous Specialties
- Sanitary Floor Sinks
- Roof Drains
- Cleanouts
- Fixture Carriers

**WATTS**<sup>®</sup>  
A Watts Water Technologies Company

# For Technical Assistance Call Your Authorized Watts Drainage Representative.

		Telephone	E-mail
	<b>Headquarters:</b> Watts Drainage Products	100 Watts Road, Spindale, NC 28160	800 338-2581 watts@wattswater.com
<b>North East</b>	Edwards, Platt & Deely, Inc.	277 Royal Ave., Hawthorne, NJ 07506	973 427-2898 p044@watts.com
	Edwards, Platt & Deely, Inc.	368 Wyandanch Ave., North Babylon, NY 11703	631 253-0600 p073@watts.com
	J. B. O'Connor Company, Inc.	202 Commerce Blvd., Lawrence, PA 15055	724 745-5300 p047@watts.com
	Robert Burns Associates	4009-B Market St., Aston, PA 19014	610 497-1722 mark@rburnsassoc.com
	W. P. Haney Company, Inc.	51 Norfolk Ave., South Easton, MA 02375	508 238-2030 p088@watts.com
<b>Mid Atlantic</b>	Disney McLane & Associates	428 McGregor Ave., Cincinnati, OH 45206	800 542-1682 p017@watts.com
	E.J. Dwyer Co.	10910 Pump House Road, Annapolis Junction, MD 20701	240-553-0112 wattsspecificationsales@ejdwyer.com
	RMI	2533 Mechanicsville Tpk., Richmond, VA 23223	804 643-7355 rmi@ricmrk.com
	WMS Sales, Inc. (Main office)	9580 County Rd., Clarence Center, NY 14032	716 741-9575 p091@watts.com
<b>South East</b>	Billingsley & Associates, Inc.	2728 Crestview Ave., Kenner, LA 70062-4829	504 602-8100 p013@watts.com
	Billingsley & Associates, Inc.	478 Cheyenne Lane, Madison, MS 39110	601 856-7565 ckenny@billingsley.com
	Francisco J. Ortiz & Co., Inc.	Charlyn Industrial Pk., Road 190 KM1.9 - Lot #8, Carolina, Puerto Rico 00983	787 769-0085 p029@watts.com
	Harry Warren, Inc.	1400 North Orange Blossom Trail, Orlando, FL 32804	407 841-9237 p071@watts.com
	Harry Warren, Inc.	2861-B Bankers Industrial Drive, Atlanta, GA 30360	770 209-3310 p059@watts.com
	Mid-America Marketing, Inc.	203 Industrial Drive, Birmingham, AL 35211	205 879-3469 p032@watts.com
	Mid-America Marketing, Inc.	2611 Grandview Avenue, Nashville, TN 37211	615 259-9944 john@midamericamktg.com
	Mid-America Marketing, Inc.	5466 Old Hwy. 78, Memphis, TN 38118	901 795-0045 sales@midamericamktg.com
Smith & Stevenson Co., Inc.	4935 Chastain Ave., Charlotte, NC 28217	704 525-3388 p003@watts.com	
<b>North Central</b>	Dave Watson Associates	1325 West Beecher, Adrian, MI 49221	517 263-8988 p085@watts.com
	Mid-Continent Marketing Services Ltd.	1275 Lakeside Drive, Romeoville, IL 60446	630 953-1211 p072@watts.com
	Process & Mechanical Systems, Inc.	1343 East Wisconsin Ave., Suite 114, Pewaukee, WI 53072	262 691-9991 sales@pmsireps.com
	Soderholm & Associates, Inc.	7150 143rd Ave. N.W., Anoka, MN 55303	763 427-9635 company@soderholmrep.com
Soderholm & Associates, Inc.	W140 N5086 Lilly Road, Menomonee Falls, WI 53051	763 427-9635 company@soderholmrep.com	
<b>South Central</b>	Hugh M. Cunningham, Inc.	13755 Benchmark, Dallas, TX 75234	972 888-3808 p031@watts.com
	Sandia Group, Inc.	3167 San Mateo #308, Albuquerque, NM 87110	800 339-0191 p031@watts.com
	Mack McClain & Associates, Inc.	4407 Meramec Bottom, Suite G, St. Louis, MO 63129	314 894-8188 p045@watts.com
	Mack McClain & Associates, Inc.	1045 76th St., Suite 1000, West Des Moines, IA 50266	515 288-0184 p049@watts.com
	Mack McClain & Associates, Inc.	15090 West 116th St., Olathe, KS 66062	913 339-6677 p083@watts.com
OK! Sales, Inc.	214 NE 12th. St., Ste A, Moore, OK 73160	405 794-5200 oksales@coxinet.net	
<b>Western</b>	Delco Sales, Inc.	1930 Raymer Ave., Fullerton, CA 92833	714 888-2444 sales@delcosales.com
	Delco Sales, Inc.	111 Sand Island Access Rd., Unit I-4, Honolulu, HI 96819	808 842-7900 p021@watts.com
	Fanning & Associates, Inc.	6765 Franklin St., Denver, CO 80229-7111	303 289-4191 sales@fanningandassociates.com
	Hollabaugh Brothers & Associates	6915 South 194th St., Kent, WA 98032	253 867-5040 p001@watts.com
	Hollabaugh Brothers & Associates	3028 S.E. 17th Ave., Portland, OR 97202	503 238-0313 p006@watts.com
	P I R Sales, Inc.	3050 North San Marcos Place, Chandler, AZ 85225	480 892-6000 sales@pirsales.com
	REPCOR	2455 Mercantile Drive, Ste.100, Rancho Cordova, CA 95742	916 386-2233 sales@repco1.com
R. E. Fitzpatrick Sales, Inc.	4109 West Nike Dr. (8250 South), West Jordan, UT 84088	801 282-0700 p007@watts.com	

1207



A Watts Water Technologies Company



USA: 100 Watts Road, Spindale, NC, 28160-2298; www.watts.com

Canada: 5435 North Service Rd., Burlington, ON L7L 5H7; www.wattscanada.ca