

CLIO

DRIVER'S HANDBOOK



RENAULT recommends ELF

ELF has developed a complete range of lubricants for RENAULT:

- ▶ engine oils
- ▶ manual and automatic gearbox oils

Warning: to ensure the engine operates optimally, the use of a lubricant may be restricted to certain vehicles. Please refer to your maintenance document.

Benefiting from the research applied to Formula 1, lubricants are very high-tech products.

Updated with the help of RENAULT's technical teams, this range is perfectly compatible with the specific features of the brand's vehicles.

▶ ELF lubricants enhance your vehicle's performance significantly.



RENAULT recommends approved ELF lubricants for oil changes and top-ups.
Contact your RENAULT Dealer or visit www.lubrifiants.elf.com



Une marque de **TOTAL**

Welcome to your new vehicle

This Driver's Handbook contains the information necessary:

- for you to familiarise yourself with your vehicle, to use it to its best advantage and to benefit fully from all the functions and the technical developments it incorporates.
- to ensure that it always gives the best performance by following the simple, but comprehensive advice concerning regular maintenance.
- to enable you to deal quickly with minor faults not requiring specialist attention.

It is well worth taking a few minutes to read this handbook to familiarise yourself with the information and guidelines it contains about the vehicle and its functions and new features. If certain points are still unclear, our Network technicians will be only too pleased to provide you with any additional information.

The following symbol will help you when reading this handbook:



To indicate a hazard, danger or safety recommendation.

The descriptions of the models given in this handbook are based on the technical specifications at the time of writing. **This handbook covers all items of equipment** (both standard and optional) **available for these models but whether or not these are fitted to the vehicle depends on the version, options selected and the country where the vehicle is sold.**

This handbook may also contain information about items of equipment to be introduced later in the model year.

Throughout the manual, the “approved Dealer” is your RENAULT Dealer.

Enjoy driving your new vehicle.

Translated from French. Copying or translation, in part or in full, is forbidden unless prior written permission has been obtained from the vehicle manufacturer.



C O N T E N T S

Sections

Getting to know your vehicle

1

Driving

2

Your comfort

3

Maintenance

4

Practical advice

5

Technical specifications

6

Alphabetical index

7



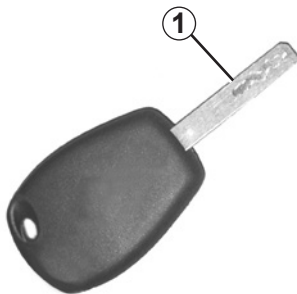
Section 1: Getting to know your vehicle

Key, radio frequency remote control: general information, use, deadlocking	1.2
RENAULT card: general information, use, deadlocking	1.7
Doors	1.13
Automatic locking of opening elements when driving	1.18
Engine immobiliser system	1.19
Headrests - Seats	1.20
Steering wheel/Power-assisted steering	1.24
Seat belts.	1.25
Additional methods of restraint	1.29
to the front seat belts	1.29
to the rear seat belts	1.33
side.	1.34
Child safety: general information.	1.36
Choosing a child seat mounting.	1.39
Fitting a child seat	1.41
Deactivating, activating the front passenger airbag	1.48
Audible and visual signals	1.51
Driving position	1.52
Instrument panel	1.56
On-board computer	1.63
Clock and exterior temperature	1.73
Rear-view mirrors	1.75
Exterior lighting and signals.	1.77
Headlight beam adjustment.	1.82
Windscreen washers and wipers.	1.83
Fuel tank (filling with fuel)	1.86

KEY/RADIO FREQUENCY REMOTE CONTROL: general information (1/2)

26565

A

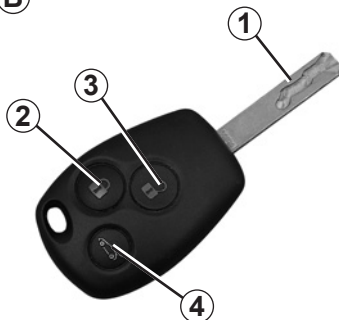


Key A

- 1 Coded key for ignition switch, doors and fuel filler cap.

Key **1** must not be used for any function other than those described in the handbook (removing a cap from a bottle, etc.).

B



25028

Radio frequency remote control unit B or C

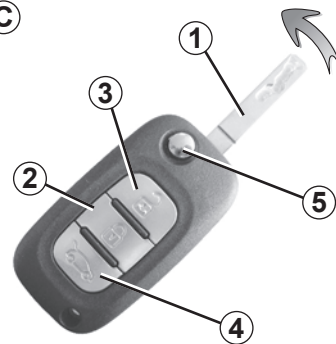
- 2 Locking the doors and tailgate.
- 3 Unlocking the doors and tailgate.

Advice

Avoid leaving the remote control in hot, cold or humid areas.

27415

C



- 4 Locking/unlocking the tailgate only (for remote control units with three buttons).
- 5 Locking/unlocking the key insert for remote control C.

To release the insert from its housing, press button **5**; it will come out automatically.

Press button **5** and push the insert to return it to its housing.

KEY/RADIO FREQUENCY REMOTE CONTROL: general information (2/2)

Radio frequency remote control operating range

This varies according to the environment. It is therefore important when handling the remote control to ensure that you do not lock or unlock the vehicle by inadvertently pressing the buttons.

Interference

The presence of certain objects (metal objects, mobile telephones, or an area with strong electromagnetic radiation, etc.) close to the key may create interference and affect the operation of the system.



Driver's responsibility

Never leave your vehicle with the key inside and never leave a child (or a pet) unsupervised, even for a short while.

They may pose a risk to themselves or to others by starting the engine, activating equipment such as the electric windows or by locking the doors.

Risk of serious injury.

Replacement and additional keys or remote controls.

You must only contact an approved Dealer:

- If you need to replace a key it will be necessary to take the vehicle and all of its keys to an approved Dealer in order to initialise the system.
- depending on the vehicle, you have the option of using up to four remote controls.

Remote control unit failure

Make sure that the correct battery type is being used, and that the battery is in good condition and inserted correctly. These batteries should have a service life of approximately two years.

Refer to Section 5: "Radio frequency remote control: batteries" for the battery changing procedure.

RADIO FREQUENCY REMOTE CONTROL: use (1/2)

(A)



25027

(B)



27414

Unlocking the doors

Remote control A or B

Press unlocking button **2**.

The hazard warning lights and indicator lights **flash once** to indicate unlocking.

Special notes (for some countries):

- pressing button **2** locks only the driver's door and the fuel filler flap,
- the other doors can be unlocked by pressing button **2** twice.

The key must not be used for any other function than those described in the handbook (removing the cap from a bottle, etc.).



Driver's responsibility

Never leave your vehicle with the key inside and never leave a child (or a pet) unsupervised, even for a short while.

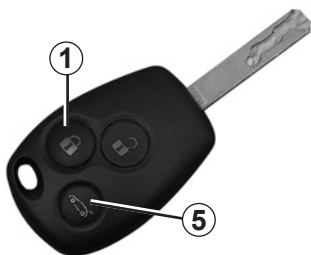
They may pose a risk to themselves or to others by starting the engine, activating equipment such as the electric windows or by locking the doors.

Risk of serious injury.

RADIO FREQUENCY REMOTE CONTROL: use (2/2)

(A)

25028



Locking the doors

Remote control A or B

Press locking button **1**.

The hazard warning lights and indicator lights **flash twice** to indicate that the doors have locked.

If a door or the tailgate is open or not properly shut, the doors or tailgate lock then quickly unlock and the hazard warning lights and indicator lights do not flash.

27415

(B)



Unlocking/locking the luggage compartment lid only

(for some countries)

Press button **5** to unlock or lock the tailgate.

The hazard warning lights and indicator lights flash once to indicate that the tailgate is unlocked if the vehicle doors are locked.

The hazard warning lights and indicator lights flash twice to indicate that the tailgate is locked if the vehicle doors are locked.

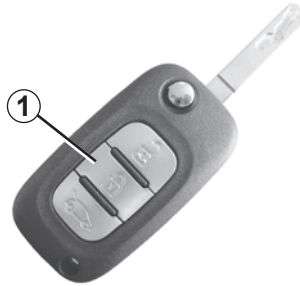
Note: the key buttons are inactive with the engine running, ignition on and in accessories position.

RADIO FREQUENCY REMOTE CONTROL: deadlocking



25028

If fitted to the vehicle, this allows the doors to be locked and prevents them from being opened with the interior handles (for example, by breaking the window and then trying to open the doors from the inside).



27415

To activate deadlocking

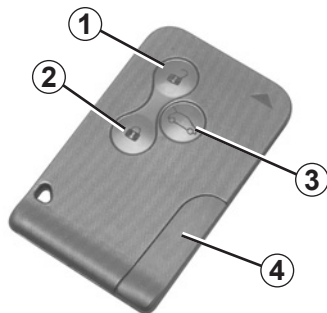
Press button **1** twice in quick succession.

The hazard warning lights and indicator lights flash **five** times to indicate that the doors have locked.



Never use deadlocking if someone is still inside the vehicle.

RENAULT CARD: general information (1/2)



- 1 Unlocking the doors and tailgate.
- 2 Locking all doors and tailgate.
- 3 Locking/unlocking the luggage compartment lid.
- 4 Emergency key.

The RENAULT card is used for:

- locking/unlocking the doors and luggage compartment (doors, luggage compartment) and the fuel filler flap (see the following pages);
- starting the engine; refer to the information on “Starting the engine” in Section 2.

Battery life

It is supplied by a battery which should be replaced when the message “Change card battery” appears on the instrument panel (refer to the information on the “RENAULT card: Battery” in Section 5).

Range of the RENAULT card

This varies according to the environment. It is therefore important when handling the RENAULT card to ensure that you do not lock or unlock the vehicle by inadvertently pressing the buttons.

Advice

Avoid leaving the card in hot, cold or humid areas.

Do not keep the RENAULT card in a place where it could be bent or damaged accidentally, such as in a back pocket of a garment.



Driver's responsibility

Never leave your vehicle with the RENAULT card inside and never leave a child (or a pet) unsupervised, even for a short while.

They may pose a risk to themselves or to others by starting the engine, activating equipment such as the electric windows or by locking the doors.

Risk of serious injury.

RENAULT CARD: general information (2/2)

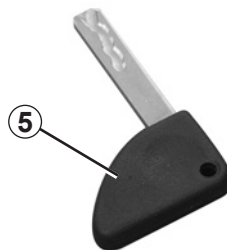


Integrated 4 or separate 5 emergency key

(depending on vehicle)

This is only used in exceptional circumstances. It locks or unlocks the front left-hand door if the RENAULT card does not work:

- if the vehicle is located in a zone of high electromagnetic radiation;
- use of devices using the same frequency as the card;
- when the RENAULT card battery is drained, flat battery, etc.



For instructions on how to use the emergency key, refer to the information on “Locking/unlocking the doors”.

Once you have entered the vehicle using the emergency key, insert the RENAULT card into the card reader so that the engine can be started.

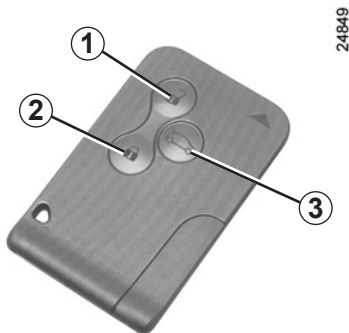
Replacement: need for an additional RENAULT Card

If you lose your RENAULT card or require another, you can obtain one from an approved Dealer.

If a RENAULT card is replaced, it will be necessary to take the vehicle and **all of its RENAULT** cards to an approved Dealer to initialise the system.

You may use up to four RENAULT cards per vehicle.

REMOTE CONTROL RENAULT CARD: use



Unlocking the doors

Press unlocking button **1**.

The hazard warning lights and indicator lights **flash once** to indicate that the doors have unlocked.

Locking the doors

Press locking button **2**.

The hazard warning lights and indicators lights **flash twice** to indicate that the doors have locked.

If a door or the tailgate is open or not properly closed, or if a RENAULT card is still in the reader, the doors and tailgate quickly lock then unlock and the hazard warning lights and indicator lights do not flash.

Unlocking/locking the tailgate only

Press button **3** to unlock or lock the tailgate.

The hazard warning lights and indicator lights flash once to indicate that the tailgate is unlocked if the vehicle doors are locked.

The hazard warning lights and indicator lights flash twice to indicate that the tailgate is locked if the vehicle doors are locked.

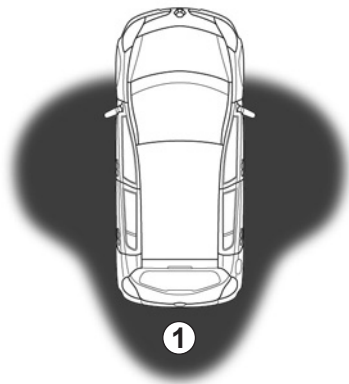
Note: the card buttons are inactive if the engine is running or the ignition on.

The flashing status of the hazard warning lights informs you of the vehicle status:

- **one flash** indicates that the vehicle is unlocked;
- **two flashes** indicates that the vehicle is locked;

The card buttons are deactivated when the engine is running.

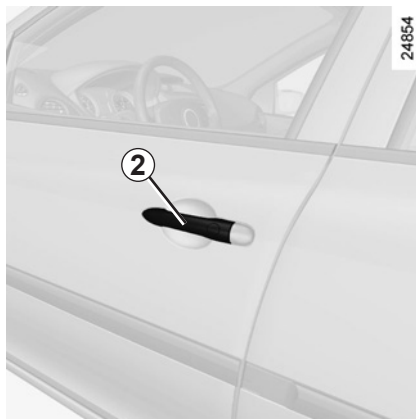
HANDS-FREE RENAULT CARD: use (1/2)



24853

Use

On equipped vehicles, in addition to the functions of the remote control RENAULT card, it can be used to lock and unlock without using the RENAULT card, when it is in access zone **1**.



24854

Unlocking the doors and tailgate

Walk up to your vehicle carrying your RENAULT card.

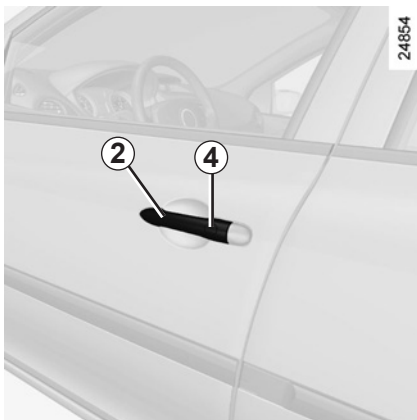
As soon as you put your hand through a door handle **2**, the vehicle's doors and tailgate unlock. Pressing on the tailgate button **3** unlocks the tailgate only.

The hazard warning lights and indicator lights **flash once** to indicate unlocking.



24855

HANDS-FREE RENAULT CARD: use (2/2)

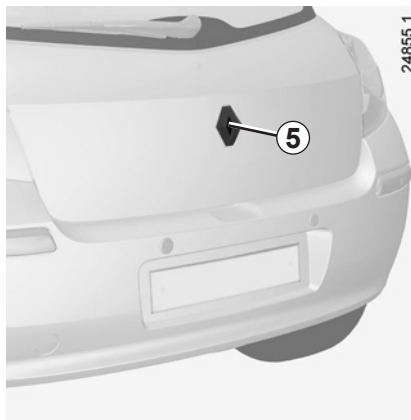


Locking the vehicle

With the RENAULT card in your possession and with the doors and tailgate closed, press button **4** located on one of the handles **2** or button **5** on the tailgate.

The indicator lights and hazard warning lights **flash twice** to indicate that the doors have locked.

Note: the RENAULT card must be within the vehicle's access zone to be able to use the buttons for locking.



If a door or the tailgate is open or not properly shut, or if a card is in the reader, the doors or tailgate lock then quickly unlock and the hazard warning lights and indicator lights do not flash.

If you wish to check that the doors are locked after locking with the RENAULT card or buttons on the handles, you have approximately **three seconds** to try the door handles without unlocking them.

After this delay, the hands-free mode is activated once again and any movement of the handle will unlock the doors.

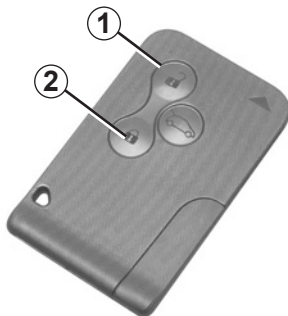


Driver's responsibility

Never leave your vehicle with the RENAULT card inside and never leave a child (or a pet) unsupervised, even for a short while.

They may pose a risk to themselves or to others by starting the engine, activating equipment such as the electric windows or by locking the doors.
Risk of serious injury.

RENAULT CARD: deadlocking



24849

If the vehicle is equipped with a deadlocking function, this allows you to lock the opening elements and to prevent the doors from being unlocked using the interior handles (for example, by breaking the window and then trying to open the door from the inside).

To activate deadlocking

- press button **2** twice in quick succession;
- or press on the button on one of the exterior door handles twice in quick succession or on the tailgate button.

The hazard warning lights flash **five** times to indicate locking.

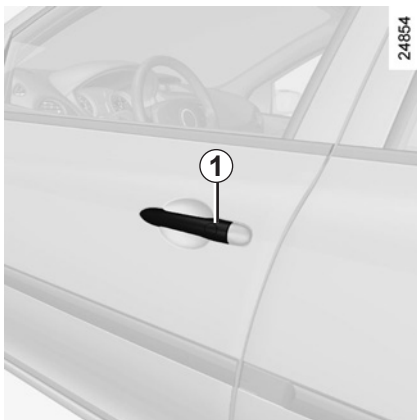
To deactivate deadlocking

Unlock the vehicle using button **1** on the RENAULT card. The hazard warning lights flash once to indicate that the doors have been unlocked.



Never use deadlocking if someone is still inside the vehicle.

OPENING AND CLOSING THE DOORS (1/2)



Opening the doors from the outside

With the doors unlocked or the “hands-free” RENAULT card in your possession, hold handle **1** and pull it towards you. In some cases, it may be necessary to pull the handle twice to open the door.



Opening from the inside

Pull handle **2**.



As a safety precaution, the doors should only be opened or closed when the vehicle is stationary.

Lights-on reminder buzzer

If you have switched off the ignition and left the lights switched on a reminder buzzer will sound when a door is opened.

Door/tailgate open buzzer

If a door or the tailgate is open or not properly closed, as soon as the vehicle reaches 4 mph (7 km/h), a warning light appears on the instrument panel accompanied by the message ‘Tailgate open’ or ‘Doors open’ depending on the vehicle.

Card reminder buzzer

A beep will let you know if you have left the card in the reader when you open the driver’s door, and the ‘Remove card’ message will appear on the instrument panel.

OPENING AND CLOSING THE DOORS (2/2)



Child safety

Vehicles fitted with switch 3

Press switch **3** to inhibit operation of the rear electric windows and opening of the rear doors from the inside. The indicator light in the switch lights up.



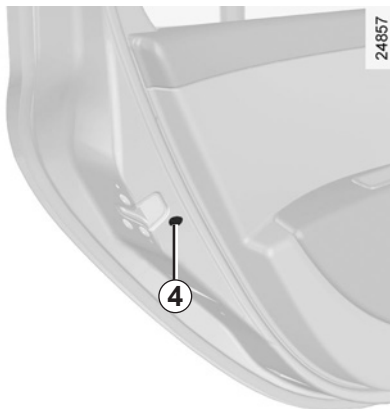
Safety of rear occupants

The driver can authorise operation of the rear doors and, depending on the vehicle, the electric windows by pressing switch **3**; the integrated indicator light goes out.

Depending on the vehicle, in the event of a fault:

- a beep sounds;
- a message is displayed on the instrument panel;
- the integrated indicator does not light up.

If the battery has been disconnected, press switch **3** on the side with the symbol to lock the rear doors.



Other cases

Lower lever **4** and check from the inside that the doors are securely locked, to prevent the rear doors being opened from the inside.



Driver's responsibility when parking or stopping the vehicle

Never leave an animal, child or adult who is not self-sufficient alone on your vehicle, even for a short time.

They may pose a risk to themselves or to others by starting the engine, activating equipment such as the electric windows or by locking the doors.

Also, in hot and/or sunny weather, please remember that the temperature inside the passenger compartment increases very quickly.

RISK OF DEATH OR SERIOUS INJURY.

LOCKING/UNLOCKING THE DOORS (1/3)

Locking/unlocking from the outside

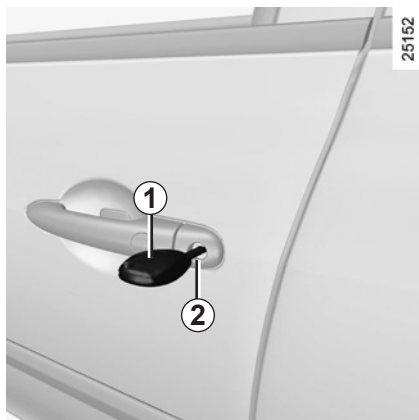
This is done using the RENAULT remote control unit: refer to the information on “Radio frequency remote control: general information” and “RENAULT card: general information”.

In some cases, the key/radio frequency remote control and the RENAULT card may not work:

- when the RENAULT card battery is drained, flat battery, etc.
- use of appliances operating on the same frequency as the card (mobile phone, etc.);
- vehicle located in an area with high electromagnetic radiation.

There are four options:

- use of the key/remote control unit or the RENAULT card near to the left-hand door mirror;



- depending on the vehicle, use of remote control key **1**, separate key **3**, or the emergency key integrated in the card for the front left-hand door;
- manual locking of each of the doors;
- using the interior door locking/unlocking control.



Use of key **1** or **3**

Insert the key into lock **2** then lock or unlock.

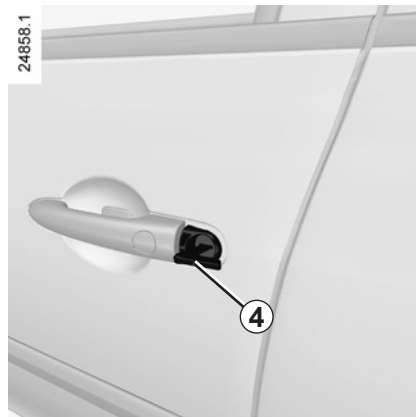
LOCKING/UNLOCKING THE DOORS (2/3)



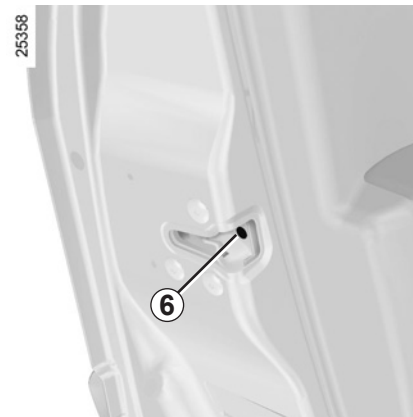
Use of emergency key 4 integrated in the RENAULT card

Insert the end of emergency key 4 into hole 5.

Move it upwards to remove cover A.



Insert key 4 into the lock of the front left-hand door and lock or unlock.



Manual locking of each of the doors

With the door open, turn screw 6 using key 4 and close the door again. This means that the doors are then locked from the outside.

The doors can only be opened from the inside or outside of the vehicle using the key for the front left-hand door.

LOCKING/UNLOCKING THE DOORS (3/3)

Using the door locking/unlocking interior control.

With the ignition off and a front door open, press switch **7** for more than five seconds.

Make sure you have your key or RENAULT card with you before leaving your vehicle.

When the door is closed, all the doors and the tailgate will be locked.

Unlocking from outside the vehicle is only possible with the key, RENAULT card or emergency key.

Locking/unlocking from the inside: switch **7**

This simultaneously controls the opening elements (doors and tailgate) and the fuel filler flap.

If a door is open or not properly closed, the doors lock and then quickly unlock.



To lock the vehicle leaving a door open (e.g. when transporting something in the luggage compartment which prevents it from closing), or when the vehicle is located in a zone where there is a high level of electromagnetic radiation, or if the key or RENAULT card fails: with the ignition off, press switch **7** for more than five seconds.

Doors and tailgate status indicator

When the ignition is on, the indicator light integrated in switch **7** informs you of the status of the doors and tailgate:

- indicator light on, the doors and tailgate are locked;
- light off, the doors and tailgate are unlocked.

When the ignition is off, the indicator light remains lit and then goes out when you lock the doors.



Driver's responsibility

Never leave your vehicle with the key or RENAULT card inside.

If you decide to keep the doors locked whilst driving, remember that it may be more difficult for those assisting you to gain access to your vehicle in the event of an emergency.

RENAULT ANTI-INTRUDER DEVICE (RAID)

Operating principle

After the vehicle is started, the system automatically locks the doors once your speed reaches approximately 5 mph (7 km/h).

The door can be unlocked:

- by pressing the door unlocking button **1**.
- when stationary, by opening a front door.

Note: if a door is opened, it will automatically lock again when the vehicle reaches a speed of 5 mph (7 km/h).



Driver's responsibility

If you decide to keep the doors locked when you are driving, remember that it may be more difficult for those assisting you to gain access to the passenger compartment in the event of an emergency.



To activate it

Depending on the vehicle, with the ignition on or the engine running, press and hold central door locking button **1** for approximately 5 seconds, until you hear a **beep**.

To deactivate

Depending on the vehicle, with the ignition on or the engine running, press and hold central door locking button **1** for approximately 5 seconds, until you hear a **beep**.

Operating faults

If you find an operating fault (no automatic locking, the indicator light incorporated in button **1** does not light up when trying to lock the doors and tailgate, etc.), firstly check that the doors and tailgate are properly closed. If they are closed correctly, contact an approved Dealer.

ENGINE IMMOBILISER

This prevents anyone not in possession of the vehicle's coded ignition key or card from starting the engine.

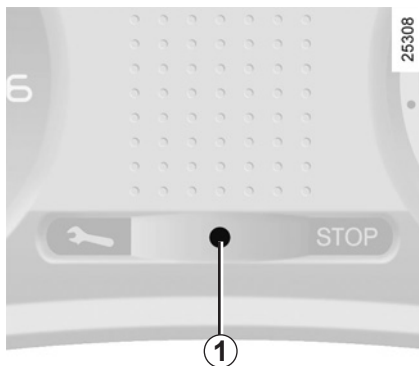
Operating principle

When the engine is started, warning light **1** remains lit for a few seconds then goes out (refer to the information on "Starting the engine" in Section 2).

The vehicle is automatically protected a few seconds after the engine is switched off.



Any unauthorised work carried out on the engine immobiliser (computers, wiring, etc.) could be dangerous. Work must be carried out by qualified personnel.



Vehicle protection tell-tale light

After the ignition has been switched off, warning light **1** flashes and the vehicle is protected.

Operating fault warning light

If the warning light continues to flash or stays lit up permanently following an attempt to start the engine, this indicates a fault in the system.

In this case, use the second key or card (supplied with the vehicle). If the fault is still present, contact an approved Dealer, as they are the only personnel qualified to repair the engine immobiliser system.

If there is interference and/or the hands-free RENAULT card is not recognised, move the card or insert it fully into the card reader.

FRONT HEADRESTS (1/2)

25241



Fixed, non-adjustable headrest A

To raise the headrest

Press button **1** and lift the headrest to release it.

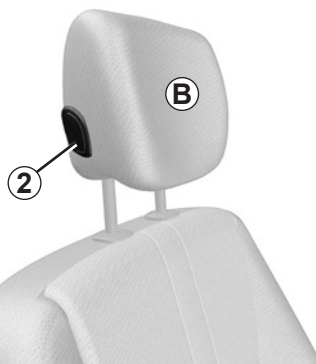
To refit the headrest

Insert the headrest rods into the holes (tilt the seatback backwards if necessary).

Push the headrest in until it locks in position.

Headrest **A** is fixed and its height cannot be adjusted.

24861



Height adjustable headrest B

It can be identified by the presence of button **2**.

To raise the headrest

Pull the headrest upwards to the desired height.

To lower the headrest

Press button **2** and guide the headrest down to the desired height.

FRONT HEADRESTS (2/2)



25241

To raise the headrest

Raise the headrest to its highest position (tilt the seatback backwards if necessary). Press button **2** and lift the headrest to release it.

Note: when the headrest is removed, take care not to change the positions of rods **3**.

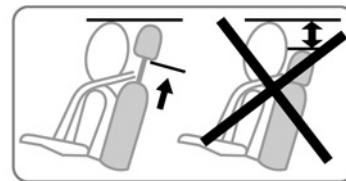
To refit the headrest

If the rod setting has been altered, pull rods **3** out fully (check that they are properly aligned and clean). If you are having difficulty, check that the notches are facing the front.

Insert the headrest rods into the holes (tilt the seatback backwards if necessary).

Lower the headrest until it locks, press button **1** and lower the headrest as far as possible.

Check that each rod **3** on the seatback is securely locked.



26342



The headrest is important for safety. Ensure that it is in place and in the correct position: the top of the headrest should be as close as possible to the top of the head and there must be a minimal distance between the head and the headrest **B**.

FRONT SEATS (1/2)



To move forwards or backwards

Lift handle **1** underneath the seat to release. Release the handle once the seat is in the correct position and ensure that the seat is fully locked into position.



For safety reasons, carry out any adjustments when the vehicle is not being driven.

Nothing should be placed on the floor (area in front of driver) as such objects may slide under the pedal during braking manoeuvres, thus obstructing its use.



To raise or lower the seat base

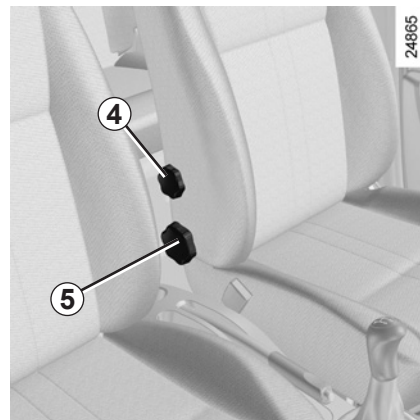
Move lever **2** as many times as necessary upwards or downwards.

Heated seats

(depending on vehicle)

With the ignition switched on, press switch **3** on the required seat. The indicator light in the switch lights up.

The system, which has a thermostat, regulates the heating and deactivates it if necessary.



To tilt the seatback

Turn control knob **5** and tilt the seatback to the desired position.

To adjust the lumbar support on the driver's seat

Turn control knob **4**.



We would advise you not to recline the seatbacks too far to ensure that the effectiveness of the seat belts is not reduced.

FRONT SEATS (2/2)



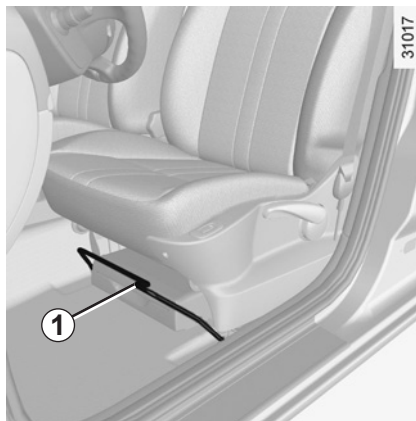
Access to the rear seats three door version

Lift handle **6**, tilt the seatback and slide the seat forwards.

To return the seat to its original position (memorised position depending on vehicle):

- slide the seat backwards until it locks;
- lift the seatback until it locks.

Make sure the seat is correctly locked in position.



Do not move handle **1** and handle **6** at the same time.

When a person, an object or a child seat prevents the front seats from locking, perform the following operations:

- ask all of the passengers to leave the vehicle and remove any bulky objects from the rear seats;
- lock the seat(s) in the initial position again;
- move the seat(s) forwards in order to create sufficient space;
- ask the passengers to get back into the vehicle, and refit the child seat or objects on the rear seats.

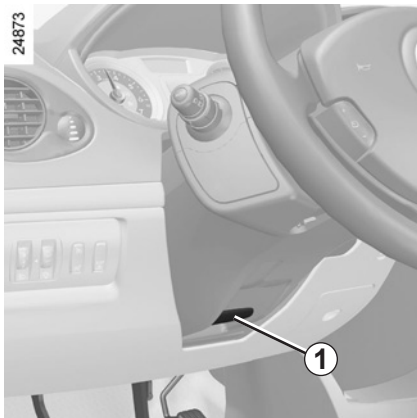


Check that no object or person prevents the front seat from locking. If so, remove any obstacles behind the front seats. Adjust the seat to allow sufficient room in the rear. The rear occupants/objects should then return to the vehicle.

Repeat the above until the seat is locked correctly.

Risk of seat moving on its runners during vehicle acceleration or braking.

STEERING WHEEL/POWER-ASSISTED STEERING



Adjusting the steering wheel height and depth

(depending on vehicle)

Pull lever **1** and place the steering wheel in the required position; push the lever beyond the point of resistance to lock the steering wheel in place.

Make sure that the steering wheel is correctly locked.



For safety reasons, only adjust the steering wheel when the vehicle is stationary.

Power Assisted Steering

Never drive with an inadequately charged battery.

Variable power assisted steering

The variable power assisted steering system is equipped with an electronic control system which alters the level of assistance to suit the vehicle speed.

Steering is made easier during parking manoeuvres (for added comfort) whilst the force needed to steer increases progressively as the speed rises (for enhanced safety at high speeds).

With the engine switched off, or if there is a system fault, it is still possible to turn the steering wheel. The force required will be greater.



Never switch off the ignition when travelling downhill, and avoid doing so in normal driving (assistance is not provided).

Never leave the steering wheel on full lock when the vehicle is stationary.

SEAT BELTS (1/4)

Always wear your seat belt when travelling in your vehicle. You must also comply with the legislation of the particular country you are in.

Make sure that the rear bench seat is locked in position correctly so that the rear seat belts will operate efficiently. Refer to the information on the “Rear bench seat: functions” in Section 3.



Incorrectly adjusted or twisted seat belts may cause injuries in the event of an accident.

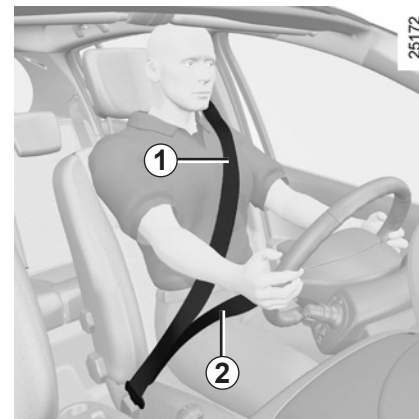
Use one seat belt per person, whether child or adult.

Even pregnant women should wear a seat belt. In this case, ensure that the lap belt is not exerting too much pressure on the abdomen, but do not allow any slack.

Before starting, first adjust your driving position, then ask all occupants to adjust their seat belts to ensure optimum protection.

Adjusting your driving position

- **Sit well back in your seat** (having first removed your coat or jacket). This is essential to ensure your back is positioned correctly;
- **adjust the distance between the seat and the pedals.** Your seat should be as far back as possible while still allowing you to depress the clutch pedal fully. The seatback should be adjusted so that your arms are slightly bent when you hold the steering wheel;
- **adjust the position of your headrest.** For the maximum safety, your head must be as close as possible to the headrest;
- **adjust the height of the seat.** This adjustment allows you to select the seat position which offers you the best possible view;
- **adjust the position of the steering wheel.**



25172

Adjusting the seat belts

Sit with your back firmly against the seatback.

Shoulder strap **1** should be as close as possible to the base of the neck but not on it.

Lap belt **2** should be worn flat over the thighs and against the pelvis.

The belt should be worn so that it is as close as possible to your body, i.e.: avoid wearing heavy clothing or keeping bulky objects under the belts, etc.

SEAT BELTS (2/4)



Locking

Unwind the belt **slowly and smoothly** and ensure that buckle **3** locks into catch **5** (check that it is locked by pulling on buckle **3**).

If the belt jams, allow it to return slightly before attempting to unwind it again.

If your seat belt is completely jammed, pull slowly, but firmly, so that just over 3 cm unwinds. Allow it to return slightly before attempting to unwind it again.

If there is still a problem, contact an approved dealer.

Driver's seat belt reminder warning light

If the driver's seat belt is not fastened the light remains lit when the vehicle is started, then when the car reaches a speed of approximately 6 mph (10 km/h), it flashes and a beep sounds for about 90 seconds.

Unlocking

Press button **4** on catch **5** and the seat belt will be rewound by the inertia reel.

Guide the buckle to help the operation.



Adjusting the height of the seat belt

Move button **6** to select the position you require so that chest strap **1** is worn as described above.

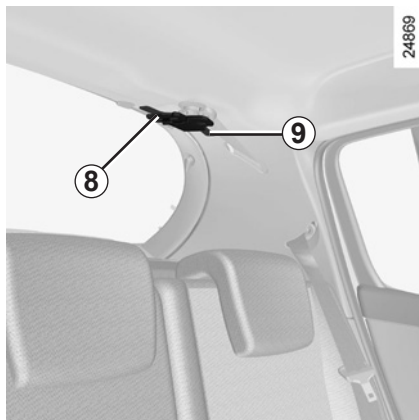
Make sure that the seat belt is locked in position correctly after you have adjusted it.

SEAT BELTS (3/4)



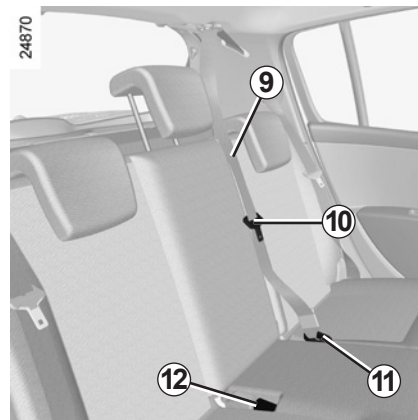
Rear side seat belts 7

The belts are locked, unlocked and adjusted in the same way as the front belts.



Rear centre seat belt

Unwind belt 9 slowly from its housing, then fasten buckle 8 into the corresponding black catch 11.



Fasten sliding buckle 10 into the corresponding red catch 12.



Check that the rear seat belts are positioned and operating correctly each time the rear bench seat is moved.

SEAT BELTS (4/4)

The following information applies to the vehicle's front and rear seat belts.



- No modification may be made to the component parts of the originally fitted restraint system: belts, seats and their mountings. For special operations (e.g. fitting child seats) contact an authorised dealer.
- Do not use devices which allow any slack in the belts (e.g. clothes pegs, clips, etc.): a seat belt which is worn too loosely may cause injury in the event of an accident.
- Never wear the shoulder strap under your arm or behind your back.
- Never use the same belt for more than one person and never hold a baby or child on your lap with your seat belt around them.
- The belt should never be twisted.
- Following an accident, have the seat belts checked and replaced if necessary. Always replace your seat belts as soon as they show any signs of wear.
- When putting back the rear bench seat, make sure the seat belts are correctly positioned so that they can be used properly.
- Make sure that the buckle is inserted into the appropriate catch.
- Ensure that no objects are placed in the area around the seat belt catch as they could prevent it from being properly secured.
- Make sure the seat belt catch is properly positioned (it should not be hidden away, crushed or flattened by people or objects).

METHODS OF RESTRAINT IN ADDITION TO THE FRONT SEAT BELTS (1/4)

Depending on the vehicle, they are composed of:

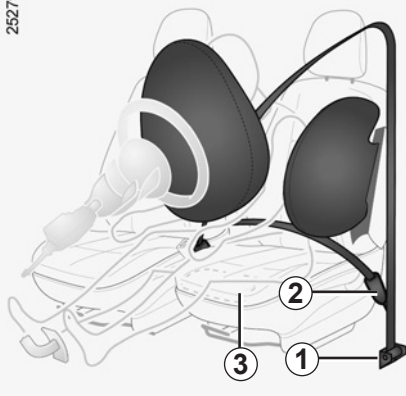
- **seat belt inertia reel pretensioners;**
- **lap belt pretensioners;**
- **chest-level load limiters;**
- **anti-submarining air bags;**
- **air bags for driver and front passenger.**

These systems are designed to act independently or together when the vehicle is subjected to a frontal impact.

Depending on the severity of the impact, the system can trigger:

- seat belt locking;
- the seat belt inertia reel pretensioner (which engages to correct seat belt slack);
- the front air bag;
- the lap seat belt pretensioners to hold the occupant in his seat.

25279



Pretensioners

The pretensioners hold the seat belt against the body, holding the occupant more securely against the seat, thus increasing the seat belt's efficiency.

In the event of a severe frontal impact and if the ignition is switched on, the system may engage the following depending on the force of the impact:

- seat belt inertia reel pretensioner **1** which instantly retracts the seat belt;
- lap belt pretensioner **2** on the front seats or anti-submarining air bag **3**.



– Have the entire restraint system checked following an accident.

– No operation whatsoever is permitted on any part of the system (pretensioners, air bags, computers, wiring) and the system components must not be reused on any other vehicle, even if identical.

– To avoid incorrect triggering of the system which may cause injury, only qualified personnel from an approved Dealer may work on the pretensioner and air bag system.

– The electric trigger system may only be tested by a specially trained technician using special equipment.

– When the vehicle is scrapped, contact an approved Dealer for disposal of the pretensioner and air bag gas generators.

METHODS OF RESTRAINT IN ADDITION TO THE FRONT SEAT BELTS (2/4)

Chest-level and lap belt load limiters

Above a certain severity of impact, this mechanism is used to limit the force of the belt against the body so that it is at an acceptable level.

Anti-submarining air bag


Located on each of the front seats, it deploys in order to prevent the occupant from sliding under the seat belt.

Air bag for driver and front passenger

Fitted to the driver and passenger side.

The presence of this equipment is indicated by the word “Air bag” on the steering wheel and dashboard (air bag zone **A**) and, depending on the vehicle, a symbol on the lower section of the windscreen.

Each air bag system consists of:

- an air bag and gas generator fitted on the steering wheel for the driver and in the dashboard for the front passenger;
- an electronic unit for system monitoring which controls the gas generator electrical trigger system;
- a single  warning light on the instrument panel.



The air bag system uses pyrotechnic principles. This explains why, when the air bag inflates, it will generate heat, produce smoke (this does not mean that a fire is about to start) and make a noise upon detonation. In a situation where an air bag is required, it will inflate immediately and this may cause some minor, superficial grazing to the skin or other problems.

METHODS OF RESTRAINT IN ADDITION TO THE FRONT SEAT BELTS (3/4)




Operation

This system is only operational when the ignition is switched on.

In a severe **frontal** impact, the air bags inflate rapidly, cushioning the impact of the driver's head and chest against the steering wheel and of the front passenger against the dashboard. The air bags then deflate immediately so that the passengers are not in any way hindered from leaving the vehicle.



Operating faults

Warning light 4  will light up on the instrument panel when the ignition is turned on and then go out after a few seconds.

If it does not light up when the ignition is switched on, or comes on when the engine is running, there is a fault in the system.

Contact your approved Dealer as soon as possible. Your protection will be reduced until this fault is rectified.

METHODS OF RESTRAINT IN ADDITION TO THE FRONT SEAT BELTS (4/4)

All of the warnings below are given so that the air bag is not obstructed in any way when it is inflated and also to prevent the risk of serious injuries caused by items which may be dislodged when it inflates.



Warnings concerning the driver's air bag

- Do not modify the steering wheel or the steering wheel boss.
- Do not cover the steering wheel boss under any circumstances.
- Do not attach any objects (badge, logo, clock, telephone holder, etc.) to the steering wheel boss.
- The steering wheel must not be removed (except by qualified personnel from our Network).
- When driving, do not sit too close to the steering wheel. Sit with your arms slightly bent (see the information on “Adjusting your driving position” in Section 1). This will allow sufficient space for the air bag to deploy correctly and be fully effective.

Warnings concerning the passenger air bag

- Do not attach or glue any objects (badge, logo, clock, telephone holder, etc.) to the dashboard on or near the air bag.
- Do not place anything between the dashboard and the passenger (pet, umbrella, walking stick, parcels, etc.).
- The passenger must not put his or her feet on the dashboard or seat as there is a risk that serious injuries may occur. In general, parts of the body should be kept away from the dashboard (knees, hands, head, etc.).
- The devices in addition to the front passenger seat belt should be reactivated as soon as a child seat is removed, to ensure the protection of the passenger in the event of an impact.

A REAR-FACING CHILD SEAT MUST NOT BE FITTED TO THE FRONT PASSENGER SEAT UNLESS THE ADDITIONAL RESTRAINT SYSTEMS, I.E. THE PASSENGER AIR BAG, ARE DEACTIVATED.

(refer to the information on “Child safety: deactivating/activating the front passenger air bag” in Section 1)

Warnings concerning the anti-submarining air bag

Do not let a child under the age of 12 sit in this seat. When triggered, the anti-submarining air bag may project objects left on the seat base with a great deal of force.

Risk of serious injury.

METHODS OF RESTRAINT IN ADDITION TO THE REAR SEAT BELTS

Force limiter

Above a certain severity of impact, this mechanism is used to limit the force of the belt against the body so that it is at an acceptable level.



- Have the entire restraint system checked following an accident.
- No operation whatsoever is permitted on any part of the system (air bags, electronic control units, wiring) and the system components must not be reused on any other vehicle, even if identical.
- Only qualified personnel from our Network may work on the air bags; otherwise the system may trigger accidentally and cause injury.

SIDE PROTECTION DEVICES

Side Airbags

This airbag may be fitted to each of the front seats and is activated at the sides of the seats (door side) to protect the occupants in the event of a severe side impact.

Curtain Airbags

This airbag may be fitted along the top of each side of the vehicle and is triggered along the front and rear side windows to protect the passengers in the event of a severe side impact.

Depending on the vehicle, a marking on the windscreen informs you of the presence of additional means of restraint (air bags, pretensioners, etc.) in the passenger compartment.



Warning relating to the side airbag

- **Fitting seat covers:** seats equipped with an airbag require covers specifically designed for your vehicle. Contact an approved Dealer to find out if these covers are available. The use of any covers other than those designed for your vehicle (and including those designed for another vehicle) may affect the operation of the airbags and reduce your protection.
- Do not place any accessories, objects or even pets between the seatback, the door and the internal fittings. Do not cover the seatback with any items such as clothes or accessories. This may prevent the air bag from operating correctly or cause injury when the airbag is deployed.
- No work or modification whatsoever may be carried out on the seat or internal fittings, except by qualified personnel from an approved Dealer.
- This airbag operates through slits in the front seatbacks (door side): never insert any objects in these slits.

ADDITIONAL METHODS OF RESTRAINT

All of the warnings below are given so that the airbag is not obstructed in any way when it is inflated and also to prevent the risk of serious injuries caused by items which may be dislodged when it inflates.



The airbag is designed to complement the action of the seat belt. Both the air bags and seat belts are integral parts of the same protection system. It is therefore essential to wear seat belts at all times. If seat belts are not worn, the occupants are exposed to the risk of serious injury in the event of an accident. It may also increase the risk of minor superficial injuries occurring when the airbag is deployed, although such minor injuries are always possible with air bags.

If the vehicle should overturn or in the event of a rear impact, however severe, the pretensioners and airbags are not always triggered. Impacts to the underside of the vehicle, e.g. from pavements, potholes or stones, can all trigger these systems.

- No work or modification **whatsoever** may be carried out on any part of the airbag system (airbags, pretensioners, computer, wiring harness, etc.), except by qualified Network personnel.
- To ensure that the system is in good working order and to avoid accidental triggering of the system which may cause injury, only qualified Network personnel may work on the airbag system.
- As a safety precaution, have the airbag system checked if your vehicle has been involved in an accident, or is stolen or broken into.
- When selling or lending the vehicle, inform the user of these points and hand over this handbook with the vehicle.
- When scrapping your vehicle, contact your approved Dealer for disposal of the gas generator(s).

CHILD SAFETY: General information (1/2)

Carrying children

Children, and adults, must be correctly seated and strapped in for all journeys. The children being carried in your vehicle are your responsibility.

A child is not a miniature adult. Children are at risk of specific injuries as their muscles and bones have not yet finished growing. The seat belt alone would not provide suitable protection. Use an approved child seat and ensure you use it correctly.



To prevent the doors being opened, use the “Child safety” device (refer to the information on “Opening and closing the doors” in Section 1).



A collision at 30 mph (50 km/h) is the same as falling a distance of 10 metres.

Transporting a child without a restraint is the equivalent of allowing him or her to play on a fourth-floor balcony without railings.

Never travel with a child held in your arms. In the event of an accident, you will not be able to keep hold of the child, even if you yourself are wearing a seat belt.

If your vehicle has been involved in a road accident, replace the child seat and have the seat belts and ISOFIX anchorage points checked.



Driver's responsibility when parking or stopping the vehicle

Never leave an animal, child or adult who is not self-sufficient alone on your vehicle, even for a short time.

They may pose a risk to themselves or to others by starting the engine, activating equipment such as the electric windows or by locking the doors.

Also, in hot and/or sunny weather, please remember that the temperature inside the passenger compartment increases very quickly.

RISK OF DEATH OR SERIOUS INJURY.

CHILD SAFETY: General information (2/2)

Using a child seat

The level of protection offered by the child seat depends on its ability to restrain your child and on its installation. Incorrect installation compromises the protection it offers the child in the event of harsh braking or an impact.

Before purchasing a child seat, check that it complies with the regulations for the country you are in and that it can be fitted in your vehicle. Consult an approved dealer to find out which seats are recommended for your vehicle.

Before fitting a child seat, read the manual and respect its instructions. If you experience any difficulties during installation, contact the manufacturer of the equipment. Keep the instructions with the seat.

Set a good example by always fastening your seat belt and teaching your child:

- to strap themselves in correctly;
- to always get in and out of the car at the kerb, away from busy traffic.

Do not use a second-hand child seat or one without an instruction manual.

Check that there are no objects in the vicinity of the child seat which could impede its operation.



Never leave a child unattended in the vehicle.

Check that your child is always strapped in and that the belt or safety harness used is correctly set and adjusted. Avoid wearing bulky clothing which could cause the belts to slacken.

Never let your child put their head or arms out of the window.

Check that the child is in the correct position for the entire journey, especially if asleep.

CHILD SAFETY: Choosing a child seat



31235

Rear-facing child seats

A baby's head is, proportionally, heavier than that of an adult and its neck is very fragile. Transport the child in this position as long as possible (until the age of 2 at the very least). It supports both the head and the neck.

Choose a bucket type seat for best side protection and change it as soon as the child's head is higher than the shell.



31233

Forward-facing child seats

The child's head and abdomen need to be protected as a priority. A forward-facing child seat which is firmly attached to the vehicle will reduce the risk of impact to the head. Ensure your child travels in a forward-facing seat with a harness or buckle for as long as their size permits. Choose a bucket type seat for optimum side protection.



31234

Booster cushions

From 15 kg or 4 years, the child can travel using a booster seat, which will enable the seat belt to be adapted to suit his size and shape. The booster seat cushion must be fitted with guides to position the seat belt on the child's thighs rather than the stomach. It is recommended that you use a seat-back which can be adjusted in terms of height to position the seat belt in the centre of the shoulder. It must never rest on the neck or on the arm. Choose a bucket type seat for optimum side protection.

CHILD SAFETY: choosing a child/baby seat mounting (1/2)

There are two ways of attaching child seats: via the seat belt or using the ISOFIX system.

Attachment via the seat belt

The seat belt must be adjusted to ensure that it is effective in the event of harsh braking or an impact.

Ensure that the strap paths indicated by the child seat manufacturer are respected.

Always check that the seat belt is correctly fastened by pulling it up, then pulling it out fully whilst pressing on the child seat.

Check that the seat is correctly held by moving it from side to side and back to front: the seat should remain firmly fixed.

Check that the child seat has not been installed at an angle and that it is not resting against a window.



Do not use the child seat if it may unfasten the seat belt restraining it: the base of the seat must not rest on the buckle and/or catch of the seat belt.



The seat belt must never be twisted or the tension relieved. Never pass the shoulder strap under the arm or behind the back. Check that the seat belt has not been damaged by sharp edges. If the seat belt does not operate normally, it will not protect the child. Consult an approved dealer. Do not use this seat until the seat belt has been repaired.



No modifications may be made to the component parts of the restraint system (seat belts, ISOFIX and seats and their mountings) originally fitted.

Attachment using the ISOFIX system

Authorised ISOFIX child seats are approved in accordance with regulation ECE-R44 in one of the three following cases:

- ISOFIX universal 3-point forward-facing seat;
- ISOFIX semi-universal 2-point seat;
- specific.

For the latter two, check that your child seat can be installed by consulting the list of compatible vehicles.

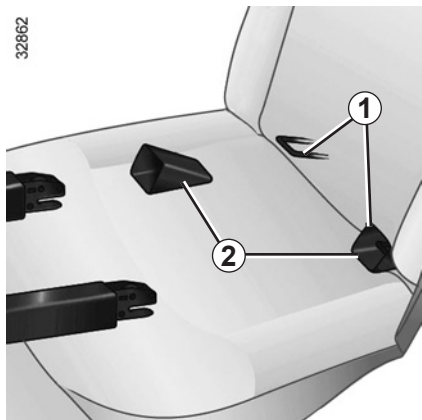
Attach the child seat with the ISOFIX locks, if these are provided. The ISOFIX system allows quick, easy, safe fitting.

The ISOFIX system consists of 2 rings and, in some cases, a third ring.

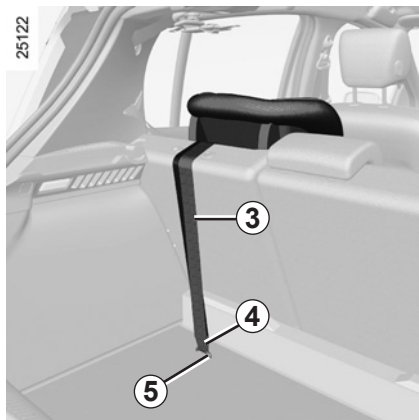


Before using an ISOFIX child seat that you purchased for another vehicle, check that its installation is authorised. Consult the list of vehicles which can be fitted with the seat from the equipment manufacturer.

CHILD SAFETY: choosing a child/baby seat mounting (2/2)




The two rings **1** are located between the seatback and the seat base of the seat and are identified by a marking. To ensure your child seat can be easily fitted and locked on rings **1**, use access guides **2** on the child seat.



The third ring is used to attach the upper strap on some child seats:



- depending on the vehicle, unclip mobile floor cover **6** then pass through strap **3**;
- hook **4** **must** be fitted to ring **5** or to the ring located under cover **6** marked with . The strap must then be tightened.



The ISOFIX anchorage points have been exclusively designed for child seats with the ISOFIX system. Never fit a different type of child seat, seat belt or other objects to these anchorage points.

Check that nothing is obstructing the anchorage points.

If your vehicle has been involved in a road accident, have the ISOFIX anchorage points checked and replace your child seat.



Check that the seatback of the forward-facing child seat is in contact with the back of the vehicle seat. In this case, the child seat may not always rest on the base of the vehicle seat.

CHILD SAFETY: Fitting a child seat

Some seats are not suitable for fitting child seats. The diagram on the following page shows you how to attach a child seat.

The types of child seat indicated may not be available. Before using a different child seat, check with the manufacturer that it can be fitted.



Ensure that the child seat or the child's feet do not prevent the front seat from locking correctly. Refer to the information on the "Front seat" in Section 1.

Check that when installing the child seat in the vehicle it is not at risk of coming loose from its base.

If you have to remove the headrest, check that it is correctly stored so that it does not come loose under harsh braking or impact.

Always attach the child seat to the vehicle even if it is not in use so that it does not come loose under harsh braking or impact.

In the front seat

The laws concerning children travelling in the front passenger seat differ in every country. Consult the legislation in force and follow the indications on the diagram on the following page.

Before fitting a child seat in this seat (if authorised):

- lower the seat belt as far as possible;
- move the seat as far back as possible;
- gently tilt the seatback away from vertical (approximately 25°);
- on equipped vehicles, raise the seat base as far as possible.

Do not change these settings after the child seat is installed.



RISK OF DEATH OR SERIOUS INJURY: before installing a rear-facing child seat in the front passenger seat, make sure the airbag has been deactivated (refer to the information on "Child safety: front passenger airbag deactivation/activation" in Section 1).

In the rear side seat

A carrycot can be installed across the vehicle and will take up at least two seats. Position the child with his or her feet nearest the door.

Move the front seat as far forward as possible to install a rear-facing child seat, then move back the seat in front as far as it will go, although without allowing it to come into contact with the child seat.

For the safety of the child in the forward-facing seat, do not move the seat in front back past the middle of the runner, do not tilt the seatback too far (maximum of 25°) and raise the seat as much as possible.

Check that the forward-facing child seat is resting against the back of the vehicle seat and that the headrest of the vehicle is not obstructing its use.

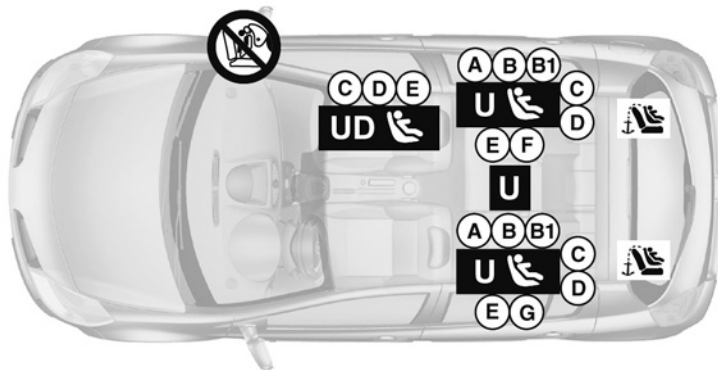
Rear centre seat

Check that the belt is suitable for securing your child seat. Consult an approved dealer.




Fit the child seat in a rear seat wherever possible.

CHILD SAFETY: installation diagram (3 and 5 door version)




28284

Child seat fitted using the ISOFIX mounting


 seat which allows an ISOFIX child seat to be fitted.

Note: Only three-door vehicles are fitted with the 2-point ISOFIX system on the front passenger seat.

 the rear seats are fitted with an anchorage point which allows a forward-facing ISOFIX child seat with universal approval to be fitted. The anchorage points are located in the luggage compartment.

The size of the ISOFIX child seat is indicated by a letter:


- A, B and B1: for forward-facing seats in group 1 (9 to 18 kg);
- C: rear-facing seats in group 1 (9 to 18 kg);
- D and E: shell seat or rear-facing seats in group 0 or 0+ (less than 13 kg);
- F and G: cots in group 0 (less than 10 kg).


 Check the status of the airbag before fitting a child seat or allowing a passenger to use the seat.



RISK OF DEATH OR SERIOUS INJURY: before installing a rear-facing child seat in the front passenger seat, make sure the airbag has been deactivated (refer to the information on “Child safety: front passenger airbag deactivation/activation” in Section 1).

Child seat attached using the belt

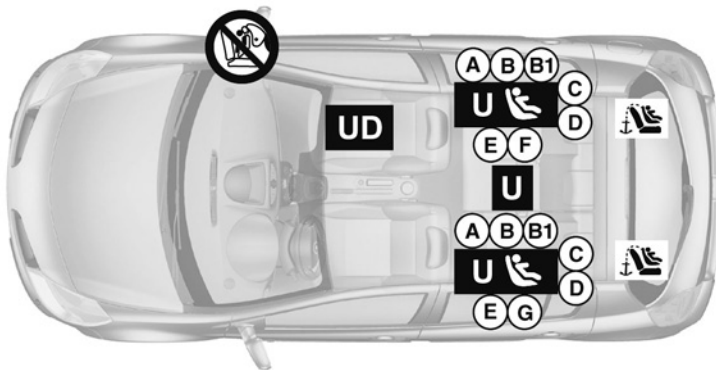
 Seat which allows a seat with “universal” approval to be fitted using a seat belt;

 Seat which allows a **rear-facing seat** with “universal” approval **only** to be attached with a seat belt.



Using a child safety system which is not approved for this vehicle will not correctly protect the baby or child. They risk serious or even fatal injury.

CHILD SAFETY: installation diagram (sport tourer version)



Check the status of the airbag before fitting a child seat or allowing a passenger to use the seat.



RISK OF DEATH OR SERIOUS INJURY:

before installing a rear-facing child seat in the front passenger seat, make sure the airbag has been deactivated (refer to the information on "Child safety: front passenger airbag deactivation/activation" in Section 1).

Child seat attached using the belt



Seat which allows a seat with "universal" approval to be fitted using a seat belt;



Seat which **only** allows a **rearfacing seat** with "Universal" approval to be attached with a seat belt.



Using a child safety system which is not approved for this vehicle will not correctly protect the baby or child. They risk serious or even fatal injury.

Child seat fitted using the ISOFIX mounting



seat which allows an ISOFIX child seat to be fitted.



the rear seats are fitted with an anchorage point which allows a forward-facing ISOFIX child seat with universal approval to be fitted. The anchorage points are located in the luggage compartment.

The size of the ISOFIX child seat is indicated by a letter:

- A, B and B1: for forward-facing seats in group 1 (9 to 18 kg);
- C: rear-facing seats in group 1 (9 to 18 kg);
- D and E: shell seat or rear-facing seats in group 0 or 0+ (less than 13 kg);
- F and G: cots in group 0 (less than 10 kg).

CHILD SAFETY: installation table (3- and 5-door versions) (1/2)

The table below summarises the information already shown on the diagram on the previous page, to ensure the regulations in force are respected.

Type of child seat	Weight of the child	Seat size ISOFIX	Front passenger seat (1) (2)	Rear side seats (6) (7)	Rear centre seat
Carrycot fitted across the vehicle Group 0	< 10 kg	F, G	X	U - IL (3)	X
Shell seat/rear-facing seat Groups 0, 0 + and 1	< 13 kg and 9 to 18 kg	C, D, E	UD - IL (6)	U - IL (4)	U (4)
Forward-facing seat Group 1	9 to 18 kg	A, B, B1	X	U - IUF - IL (5)	U (5)
Booster seat Groups 2 and 3	15 to 25 kg and 22 to 36 kg		X	U (5)	U (5)



(1) RISK OF DEATH OR SERIOUS INJURY: before installing a rear-facing child seat in the front passenger seat, make sure the airbag has been deactivated (refer to the information on “Child safety: front passenger airbag deactivation/activation” in Section 1).

CHILD SAFETY: installation table (3- and 5-door versions) (2/2)

X = Seat not suitable for fitting child seats.

U = Seat which allows a child seat with “Universal” approval to be installed using a seat belt; check that it can be fitted.

UD = Seat which only allows a rear-facing standardised “Universal” seat to be installed using a seat belt.

IUF/IL = On equipped vehicles, seat which allows an approved “Universal”/“semi-universal” or “vehicle specific” child seat to be attached using the ISOFIX system; check that it can be fitted.

- (2) Only a rear-facing child seat can be fitted in this seat: raise the seat to the maximum and position it as far back as possible, tilting the seatback slightly (approximately 25°).
- (3) A carrycot can be installed across the vehicle and will take up at least two seats. Position the child with his or her feet nearest the door.
- (4) Move the front seat as far forward as possible to install a rear-facing child seat, then move back the seat in front as far as it will go, although without allowing it to come into contact with the child seat.
- (5) Forward-facing child seat; position the seatback of the child seat in contact with the seatback of the vehicle seat. Adjust the headrest, or remove it if necessary. Do not push the seat in front of the child more than halfway back on its runners and do not recline the seatback more than 25°.
- (6) Presence of the ISOFIX system: depending on vehicle or country.
- (7) Make sure that the child seat or the child’s feet do not prevent the front seat from locking correctly. Refer to the information on the “Front seat” in Section 1.

CHILD SAFETY: installation table (sport tourer versions) (1/2)

The table below summarises the information already shown on the diagram on the previous page, to ensure the regulations in force are respected.

Type of child seat	Weight of the child	Seat size ISOFIX	Front passenger seat (1) (2)	Rear side seats (6)	Rear centre seat
Carrycot fitted across the vehicle Group 0	< 10 kg	F, G	X	U - IL (3)	X
Shell seat/rear-facing seat Group 0, 0+ and 1	< 13 kg and 9 to 18 kg	C, D, E	UD	U - IL (4)	U (4)
Forward-facing seat Group 1	9 to 18 kg	A, B, B1	X	U - IUF - IL (5)	U (5)
Booster seat Group 2 and 3	15 to 25 kg and 22 to 36 kg		X	U (5)	U (5)



(1) RISK OF DEATH OR SERIOUS INJURY: before installing a rear-facing child seat in the front passenger seat, make sure the airbag has been deactivated (refer to the information on “Child safety: front passenger airbag deactivation/activation” in Section 1).

CHILD SAFETY: installation table (sport tourer versions) (2/2)

X = Seat not suitable for fitting child seats.

U = Seat which allows a child seat with “Universal” approval to be installed using a seat belt; check that it can be fitted.

UD = Seat which only allows a rear-facing standardised “Universal” seat to be installed using a seat belt.

IUF/IL = On equipped vehicles, seat which allows an approved “Universal”/“semi-universal” or “vehicle specific” child seat to be attached using the ISOFIX system; check that it can be fitted.

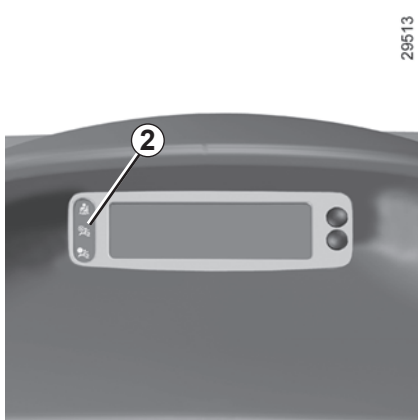
- (2) Only a rear-facing child seat can be fitted in this seat: raise the seat to the maximum and position it as far back as possible, tilting the seatback slightly (approximately 25°).
- (3) A carrycot can be installed across the vehicle and will take up at least two seats. Position the child with his or her feet nearest the door.
- (4) Move the front seat as far forward as possible to install a rear-facing child seat, then move back the seat in front as far as it will go, although without allowing it to come into contact with the child seat.
- (5) Forward-facing child seat; position the seatback of the child seat in contact with the seatback of the vehicle seat. Adjust the headrest, or remove it if necessary. Do not push the seat in front of the child more than halfway back on its runners and do not recline the seatback more than 25°.
- (6) Presence of the ISOFIX system: depending on vehicle or country.

CHILD SAFETY: deactivating/activating the front passenger air bag (1/3)




Deactivating the front passenger airbags (on equipped vehicles)


You **must** deactivate the devices in addition to the front passenger seat belt before fitting a child seat in the front passenger seat.





To deactivate the airbags: with the vehicle stopped and the ignition off, push and turn lock **1** to the **OFF** position.

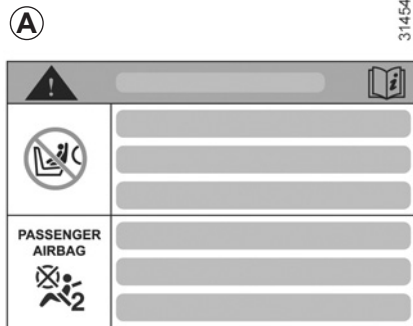
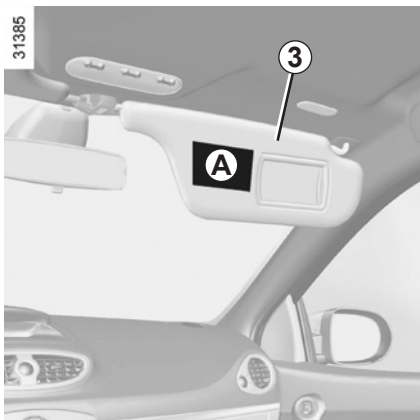
With the ignition on, you **must** check that indicator light **2**  is lit on the central display and, depending on the vehicle, that the message “Passenger airbag deactivated” is displayed.

This light remains permanently lit to let you know that you can fit a child seat.



The passenger air bag must only be deactivated or activated **with the ignition off**. If it is interfered with when the vehicle is being driven, indicator lights  and  will come on. Switch the ignition off then on again to reset the air bag in accordance with the lock.

CHILD SAFETY: deactivating/activating the front passenger air bag (2/3)



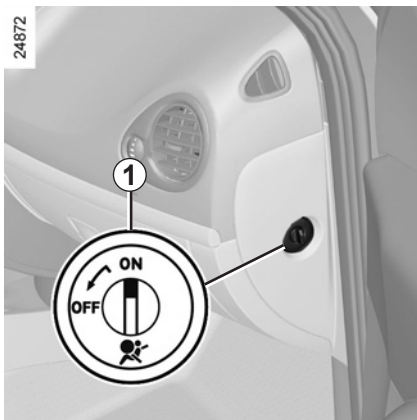
The markings on the dashboard and labels **A** on each side of passenger sun blind **3** (example: label shown above) remind you of these instructions.



DANGER

Since operation of the front passenger air bag is not compatible with the position of a rear-facing child seat, **NEVER** fit a rear-facing child seat on a front passenger seat with an active front air bag. The child may suffer very serious injuries if the air bag is triggered.


CHILD SAFETY: deactivating/activating the front passenger air bag (3/3)

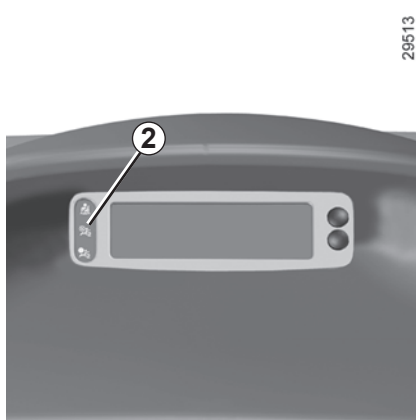


Activating the front passenger air bags

You should reactivate the airbags as soon as you remove the child seat from the front passenger seat to ensure the protection of the front passenger in the event of an impact.

To reactivate the airbags: with the vehicle stopped and the ignition off, push and turn lock **1** to the **ON** position.

With the ignition on, you **must** check that the  warning light **2** is off. The front passenger seat belt additional restraint systems are activated.



Operating faults

It is forbidden to fit a rear-facing child seat to the front passenger seat if the airbags activation/deactivation system is faulty.

Allowing any other passenger to sit in that seat is not recommended.

Contact your approved dealer as soon as possible.



DANGER

Since operation of the front passenger air bag is not compatible with the position of a rear-facing child seat, **NEVER** fit a rear-facing child seat on a front passenger seat with an active front air bag. The child may suffer very serious injuries if the air bag is triggered.



The passenger airbag must only be deactivated or activated when the **vehicle is stationary**.

If it is interfered with when the vehicle is being driven, indicator lights



and  will come on.

Switch the ignition off then on again to reset the airbag in accordance with the lock position.

AUDIBLE AND VISUAL SIGNALS



Horn

Press steering wheel boss **A**.

Headlight flasher

Pull stalk **1** towards you to flash the headlights.

Direction indicators

Move stalk **1** parallel to the steering wheel and in the direction you are going to turn it.

When driving on the motorway, the steering wheel is not often turned enough to return the stalk automatically to **0**. There is an intermediate position in which the switch may be held when changing lanes.

When the stalk is released, it automatically returns to **0**.



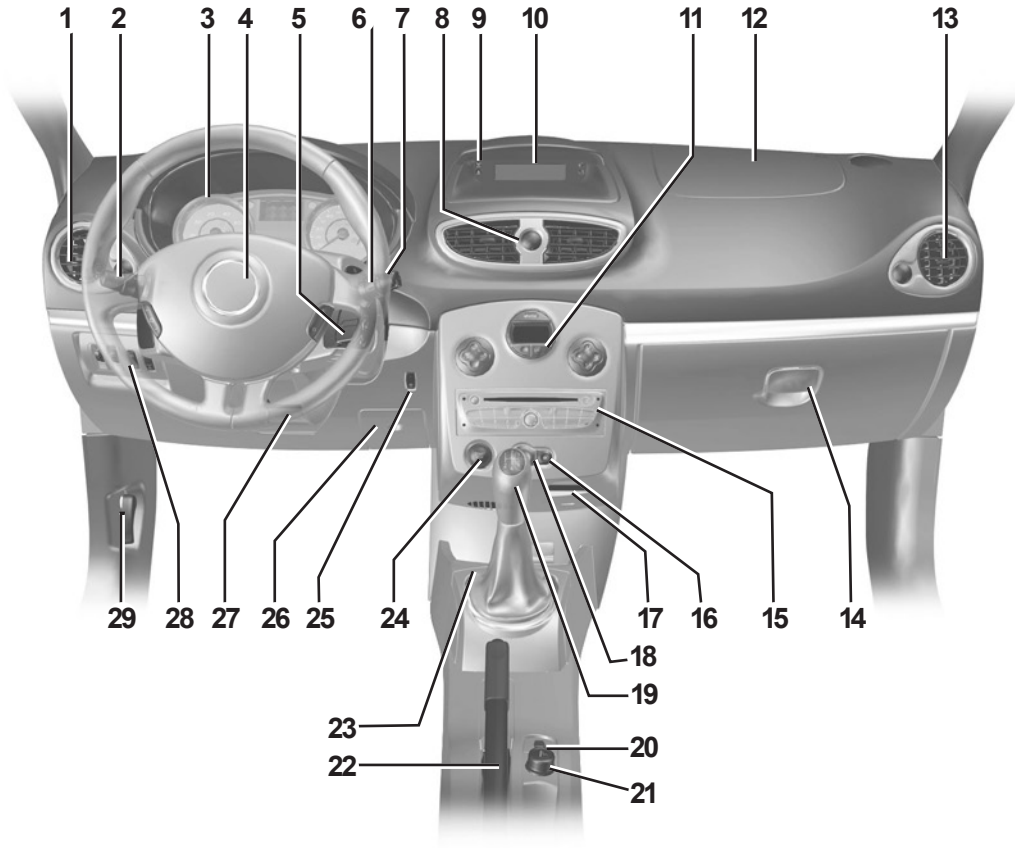
Hazard warning lights

Press switch **2**.

This switch activates all four direction indicators and the side indicator lights simultaneously. It must only be used in an emergency to warn drivers of other vehicles that you have had to stop in an area where stopping is prohibited or unexpected, or that you are obliged to drive under special conditions.

Depending on the vehicle, the hazard warning lights may come on automatically under heavy deceleration. You can switch them off by pressing switch **2** once.

DRIVING POSITION: LEFT-HAND DRIVE (1/2)



29014

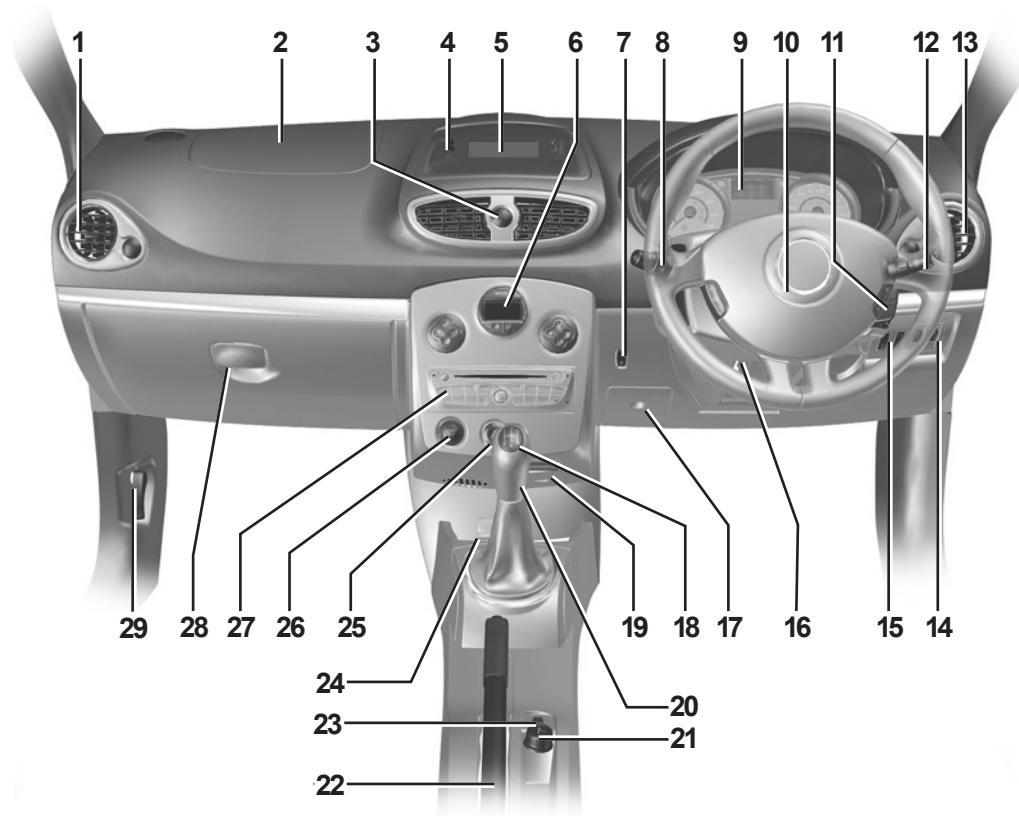
DRIVING POSITION: LEFT-HAND DRIVE (2/2)

The equipment fitted, described below, **DEPENDS ON THE VERSION AND COUNTRY.**

- 1** Side air vent.
- 2** Stalk for:
 - direction indicator lights;
 - exterior lights;
 - front fog lights;
 - rear fog lights.
- 3** Instrument panel.
- 4** Driver's Airbag location, horn, cruise control/speed limiter controls.
- 5** – Radio remote control.
 - Hands-free telephone integrated control.
- 6** Stalk for:
 - windscreen and rear screen wash/wipe;
 - trip computer and warning system information readout.
- 7** Ignition switch (vehicle with key).
- 8** Centre air vents.
- 9** Warning lights for:
 - driver's seat belt warning light;
 - deactivating the front passenger airbag.
- 10** Display (depending on the vehicle) of time, temperature, radio information, navigation system information, etc.
- 11** Heating or air conditioning controls.
- 12** Passenger Airbag location.
- 13** Side air vent.
- 14** Glove box.
- 15** Location for radio, navigation system, etc.
- 16** Central door locking switch.
- 17** RENAULT card reader (vehicle with RENAULT card).
- 18** Hazard warning lights switch.
- 19** Gear lever.
- 20** Cruise control and speed limiter control.
- 21** Cigar lighter.
- 22** Handbrake.
- 23** Location for a cup holder, ashtray, etc.
- 24** Engine start or stop control (vehicle with RENAULT card).
- 25** Parking distance control switch.
- 26** Fuse box.
- 27** Steering column height adjustment control.
- 28** Controls for:
 - traction control and ESP;
 - headlight beam height remote adjustment;
 - instrument panel lighting rheostat.
- 29** Bonnet release.

DRIVING POSITION: RIGHT-HAND DRIVE (1/2)

25085



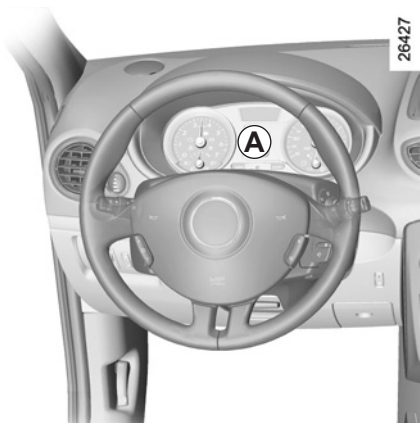
DRIVING POSITION: RIGHT-HAND DRIVE (2/2)

The equipment fitted, described below, **DEPENDS ON THE VERSION AND COUNTRY.**


- 1 Side air vent.
- 2 Passenger Airbag location.
- 3 Centre air vents.
- 4 Warning lights for:
 - driver's seat belt warning light;
 - deactivating the front passenger airbag.
- 5 Display (depending on the vehicle) of time, temperature, radio information, navigation system information, etc.
- 6 Heating or air conditioning controls.
- 7 Parking distance control switch.
- 8 Stalk for:
 - direction indicator lights;
 - exterior lights;
 - front and rear fog lights.
- 9 Instrument panel.
- 10 Driver's Airbag location, horn, cruise control/speed limiter controls.
- 11 – Radio remote control.
 - Hands-free telephone integrated control.
- 12 Stalk for:
 - windscreen and rear screen wash/wipe;
 - trip computer and warning system information readout.
- 13 Side air vent.
- 14 Controls for:
 - traction control and ESP;
 - headlight beam height remote adjustment;
 - instrument panel lighting rheostat.
- 15 Ignition switch (vehicle with key).
- 16 Steering column height adjustment control.
- 17 Fuse box.
- 18 Central door locking switch.
- 19 RENAULT card reader (vehicle with RENAULT card).
- 20 Gear lever.
- 21 Cigar lighter.
- 22 Handbrake.
- 23 Cruise control and speed limiter control.
- 24 Location for a cup holder, ashtray, etc.
- 25 Hazard warning lights switch.
- 26 Engine start or stop control (vehicle with RENAULT card).
- 27 Location for radio, navigation system, etc.
- 28 Glove box.
- 29 Bonnet release.

WARNING LIGHTS (1/4)

The display of information shown below **DEPENDS ON THE VEHICLE EQUIPMENT AND COUNTRY.**



The instrument panel **A** lights up when the ignition is switched on. In some cases, the appearance of a warning light is accompanied by a message.

The  warning light means you should **drive very carefully** to an approved dealer as soon as possible. If you fail to follow this recommendation, you risk damaging your vehicle.



Left-hand direction indicator tell-tale



Right-hand direction indicator tell-tale



Main beam headlight tell-tale



Dipped beam headlight tell-tale



Front fog light tell-tale



Rear fog light tell-tale



Speed limiter and cruise control indicator lights

See the information on the “Speed limiter” and “Cruise control” in Section 2.



Warning light **STOP** requires you to stop immediately, for your own safety, as soon as traffic conditions allow. Switch off the engine and do not restart it. Contact an approved Dealer.



Air bag warning light

This lights up when the ignition is switched on and goes out after a few seconds.

If it does not come on when the ignition is switched on, or comes on when the engine is running, there is a fault in the system.

Contact your approved Dealer as soon as possible.



Low fuel level warning light

This lights up when the ignition is switched on and goes out after a few seconds.

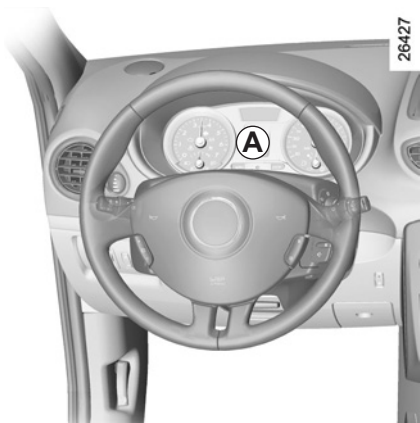
If it lights up when driving, fill up with fuel as soon as possible. There is only approximately 30 miles (50 km) worth of fuel left.



If no lights or sounds are apparent, this indicates a fault in the instrument panel. This indicates that it is essential to stop immediately (as soon as traffic conditions allow). Ensure that the vehicle is correctly immobilised and contact an approved Dealer.

WARNING LIGHTS (2/4)

The display of information shown below **DEPENDS ON THE VEHICLE EQUIPMENT AND COUNTRY.**



STOP **STOP light** This lights up when the ignition is switched on and goes out as soon as the engine is started. It comes on with other warning lights and/or messages, and is accompanied by a beep.

It requires you to stop immediately, for your own safety, as soon as traffic conditions allow. Switch off the engine and do not restart it.

Contact an approved Dealer.



Anti-lock braking warning light

This lights up when the ignition is switched on and goes out after a few seconds.

If it lights up when you are driving, it indicates a fault in the anti-lock braking system.

Braking will then be as normal, without the ABS. Contact an approved Dealer as soon as possible.



Warning light

This lights up when the ignition is switched on and goes out as soon as the engine is started. It can light up in conjunction with other indicator lights and/or messages on the instrument panel.

It means you should **drive very carefully** to an approved dealer as soon as possible. If you fail to follow this recommendation, you risk damaging your vehicle.



Engine immobiliser system warning light

Refer to the information on the "Engine immobiliser" in Section 1.



Coolant temperature warning light

This lights up when the ignition is switched on and goes out after a few seconds.

- If this light flashes, it indicates a fault in the injection system. Stop as soon as traffic conditions allow and contact an approved Dealer;
- If it shows a steady light, stop and let the engine idle for a minute or two.

The temperature should lower and the warning light should go out. If not, stop the engine. Let the engine cool down before checking the coolant.

Contact an approved Dealer.

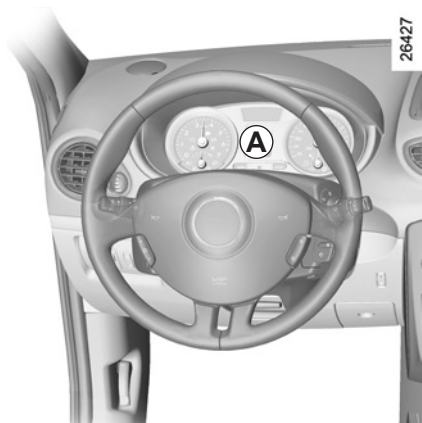


Gear change warning light

This lights up to advise you to change to a higher gear (up arrow) or lower gear (down arrow).

WARNING LIGHTS (3/4)

The display of information shown below **DEPENDS ON THE VEHICLE EQUIPMENT AND COUNTRY.**



Warning light for Electronic Stability Program (ESP) and traction control system (ASR).

This lights up when the ignition is switched on and goes out after a few seconds.

There are several reasons for the warning light coming on: refer to the information on the “Electronic Stability Program: ESP” and “Traction control: ASR” in Section 2.



Battery charge warning light

This lights up when the ignition is switched on and goes out after a few seconds.

If it comes on when the vehicle is being driven, and is accompanied by the **STOP** warning light and a beep, it indicates that the electrical circuit is overcharged or undercharged.

Stop as soon as traffic conditions allow and contact an approved Dealer.



Toxic Fume Filter System Warning Light

For vehicles equipped with this option, the light comes on when the ignition is switched on then goes out.

- If it lights up continuously, consult your approved dealer as soon as possible;
- if it flashes, reduce the engine speed until the light stops flashing. Contact your approved Dealer as soon as possible.

Refer to the information on “Advice: antipollution, fuel economy and driving” in Section 2.



Handbrake on and brake circuit incident warning light

This comes on when the ignition is switched on and goes out as soon as the handbrake is released.

If it comes on during braking and is accompanied by the **STOP** warning light and a beep, it indicates that the fluid level in the circuit is low or that there is a braking system fault.

Stop as soon as traffic conditions allow and contact an approved Dealer.



Automatic gearbox operational warning lights



Refer to information on the “Automatic gearbox” in Section 2.

A



Not used

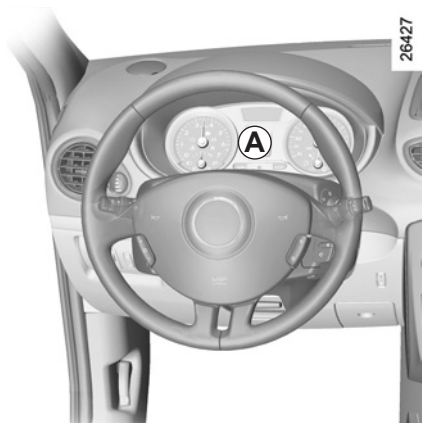


Particle filter warning light

Refer to the information on “Special features of diesel versions with particle filter” in Section 2.

WARNING LIGHTS (4/4)

The display of information shown below **DEPENDS ON THE VEHICLE EQUIPMENT AND COUNTRY.**



Oil pressure warning light

This lights up when the ignition is switched on and goes out after a few seconds.

If it comes on when you are driving accompanied by the **STOP** warning light and a beep, it is essential to stop and switch off the ignition.

Check the oil level. If the level is normal, the indicator light is being lit by something else. Contact an approved Dealer.



Electronic fault warning light

This lights up when the ignition is switched on and goes out after a few seconds.

If it comes on when driving, it indicates a fault in the injection computer or the automatic transmission.

Contact your approved Dealer as soon as possible.



Water in the diesel filter warning light

This lights up when the ignition is switched on and goes out after a few seconds.

If it comes on when driving, it indicates the presence of water in the diesel.

Contact your approved Dealer as soon as possible.



Door status warning light



Preheating warning light (diesel version)

This should come on when the ignition is switched on. It indicates that the heater plugs are in operation.

It goes out when preheating is complete. The engine can be started.



Warning light for serious injection fault

This lights up when the ignition is switched on and goes out after a few seconds.

If this light comes on when you are driving, it indicates a fault in the injection system. Stop immediately, switch off the ignition and contact an approved Dealer.



Variable power-assisted steering warning light

This comes on when the ignition is switched on and goes out after a few seconds.

If it lights up when you are driving, this indicates a fault in the system. Consult an approved Dealer as soon as possible.

INSTRUMENT PANEL: displays and indicators (1/3)


28978




Rev counter 1 (graduations x 1000)

Coolant temperature indicator 2

In normal use, the needle should be below zone A. Under harsh operating conditions the needle may approach this zone.

This is not serious unless the  and **STOP** warning lights come on, accompanied by a message on the instrument panel and a beep.

Coolant temperature indicator 3

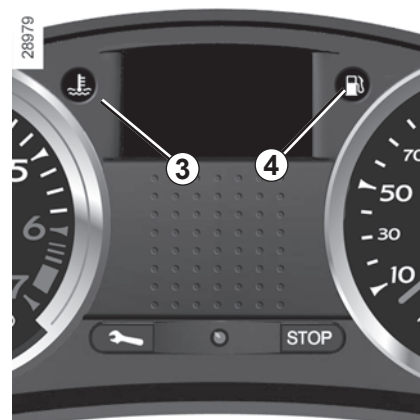
This is not serious unless the  and **STOP** warning lights come on, accompanied by a message on the instrument panel and a beep.

Fuel gauge 4

28975



28979



28977

INSTRUMENT PANEL: displays and indicators (2/3)



28977

Speedometer 5 (km or miles per hour)

Overspeed buzzer

Depending on the vehicle, a buzzer sounds for approximately 10 seconds every 40 seconds, as long as the vehicle is travelling in excess of 72 mph (120 km/h).

Engine oil level low warning 6

The display informs the driver that the engine oil level is low when the engine is started. This warning lasts for 30 seconds. Refer to the information on the Engine oil level in Section 4.

Trip computer and warning system

After 30 seconds, the display will switch to the trip computer and warning system: refer to the information on the Trip computer and warning system in the following pages.



28980



28976



28979

INSTRUMENT PANEL: displays and indicators (3/3)



Door indicator light or multifunction display 7 (depending on vehicle)

Opening elements warning light

Shows when a door or the tailgate is open or not closed properly.

OR

Multifunction display

This indicates:



- that a door or the tailgate is open or not properly closed,
- the gear engaged (for vehicles fitted with an automatic or Quickshift gearbox).

ON-BOARD COMPUTER: general information (1/3)



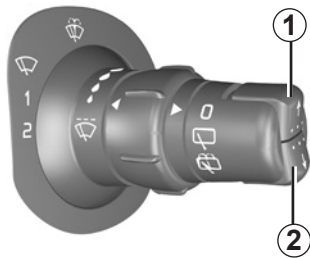
Trip computer and warning system

This displays the following information on instrument panel display **A** or **B** (position varies according to vehicle):

- information messages (distance travelled, journey parameters etc.);
- Operating fault messages (generally connected to the  warning light);
- Warning messages (linked to the  warning light).



ON-BOARD COMPUTER: general information (2/3)



24884

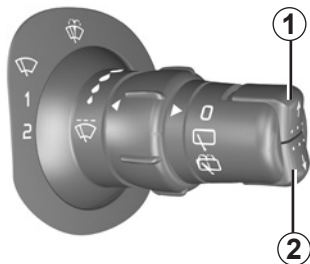
- c) mileage before service,
- d) programmed speed (speed limiter/ cruise control),
- e) on-board log: operating fault and information message readout.

Display selection keys 1 and 2

Scroll through the following information in this order or reverse the order by briefly pressing the key repeatedly.

- a) total mileage recorder; trip mileage recorder,
- b) journey parameters:
 - fuel used,
 - average fuel consumption,
 - current fuel consumption (depending on vehicle),
 - estimated range,
 - distance travelled.

ON-BOARD COMPUTER: general information (3/3)



Resetting the trip mileage

With the display set to “trip mileage recorder”, press and hold button **1** or **2**, or press and hold buttons **1** and **2** simultaneously.

Resetting the journey parameters (reset button)

With the display set to one of the journey parameters, press and hold button **1** or **2**, or the two buttons simultaneously.

Interpreting some of the values displayed after resetting

The values showing average fuel consumption, range and average speed will become more stable and reliable the further you travel after pressing the reset button.

For the first few miles after pressing the reset key you will notice that the range increases as you travel. This range takes into account the average fuel consumption since the last time the reset button was pressed. Therefore, the average fuel consumption may decrease when:

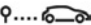

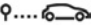
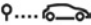
- the vehicle stops accelerating;
- the engine reaches its operating temperature (if the engine was cold when the reset key was pressed);
- when driving from an urban area onto the open road.

Automatic resetting of the journey parameters

Resetting occurs automatically when the maximum value of any of the parameters is exceeded.

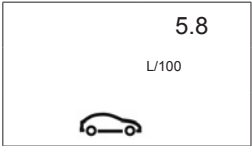

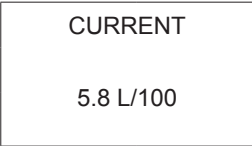
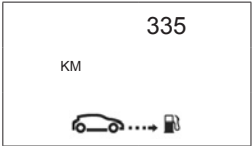

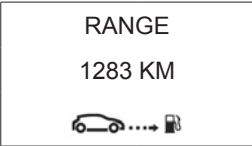

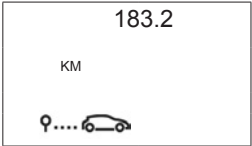

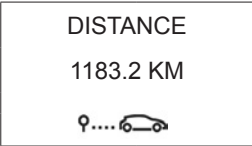
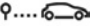
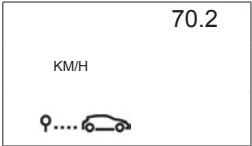

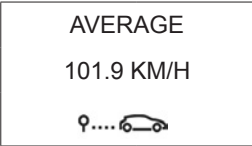
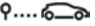
ON-BOARD COMPUTER: trip settings (1/4)

The display of information shown below **DEPENDS ON THE VEHICLE EQUIPMENT AND COUNTRY.**

Examples of display selections by pressing button 2		Interpreting the display selected
Display A	Display B	
<div style="border: 1px solid black; padding: 10px; text-align: center;"> 3382.3 KM </div>	<div style="border: 1px solid black; padding: 10px; text-align: center;"> 103288 KM 185.5 KM </div>	➔ a) Total mileage recorder (visible on the first line of the display B)
<div style="border: 1px solid black; padding: 10px; text-align: center;"> 332.3 KM </div>	<div style="border: 1px solid black; padding: 10px; text-align: center;"> 103288 KM 185.5 KM </div>	➔ Trip mileage recorder (visible on the second line of the display B)
<div style="border: 1px solid black; padding: 10px; text-align: center;"> 13.3 L  </div>	<div style="border: 1px solid black; padding: 10px; text-align: center;"> FUEL USED 13.3 L  </div>	➔ b) Journey parameters Fuel consumed since the last reset.
<div style="border: 1px solid black; padding: 10px; text-align: center;"> 5.9 L/100  </div>	<div style="border: 1px solid black; padding: 10px; text-align: center;"> AVERAGE 5.8 L/100  </div>	➔ Average fuel consumption since the last reset. This value is displayed after driving 400 metres and takes into account the distance travelled and the fuel used since the last time the reset button was pressed.

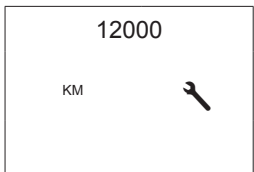
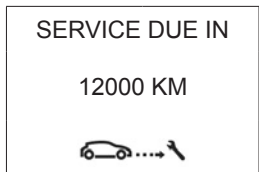





ON-BOARD COMPUTER: trip settings (2/4)

The display of information shown below **DEPENDS ON THE VEHICLE EQUIPMENT AND COUNTRY.**

Examples of display selections by pressing button 2		Interpreting the display selected
Display A	Display B	
 <p>5.8 L/100 </p>	 <p>CURRENT 5.8 L/100</p>	<p>➔ Current fuel consumption This value is displayed after a speed of approximately 20 mph (30 km/h) is reached.</p>
 <p>335 KM </p>	 <p>RANGE 1283 KM </p>	<p>➔ Estimated range with remaining fuel This range takes into account the average fuel consumption since the last time the reset button was pressed. The value is displayed after driving 400 metres.</p>
 <p>183.2 KM </p>	 <p>DISTANCE 1183.2 KM </p>	<p>➔ Distance travelled since last reset.</p>
 <p>70.2 KM/H </p>	 <p>AVERAGE 101.9 KM/H </p>	<p>➔ Average speed since the last reset. The value is displayed after driving 400 metres.</p>

ON-BOARD COMPUTER: trip settings (3/4)

The display of information shown below **DEPENDS ON THE VEHICLE EQUIPMENT AND COUNTRY.**

Examples of display selections by pressing button 2		Interpreting the display selected
Display A	Display B	
		<p>c) Distance before service Distance remaining until the next service. There are several scenarios:</p> <ul style="list-style-type: none">– remaining mileage less than 900 miles (1,500 km) or next service due within two months. When the display selected is “mileage before service”, symbol  appears on display A. The message “Service due” appears on display B.– mileage before service equal to 0 miles/km or date of serviced reached. When the display selected is “mileage before service”, symbol  flashes on display A accompanied by warning light . The message “Service vehicle” is shown on display B accompanied by the symbol  and warning light .

NB: depending on the vehicle, the mileage before service changes according to the driving style (frequent driving at low speed, door-to-door journeys, extensive use at idle speed, towing a trailer etc.). The distance remaining until the next service can therefore decrease more quickly in some cases than the actual distance travelled.

Resetting the display after the service in accordance with the maintenance schedule.
The mileage before service must only be reset after a service which complies with the recommendations in the maintenance schedule.
If you decide to change the oil more frequently, do not reset this data each time the oil is changed to avoid exceeding the replacement intervals for other parts in the maintenance schedule.

Special note: to reset the distance before service, press and hold one of the display reset buttons for approximately 10 seconds until the display shows the mileage permanently.

ON-BOARD COMPUTER: trip settings (4/4)

The display of information shown below **DEPENDS ON THE VEHICLE EQUIPMENT AND COUNTRY.**


Examples of display selections by pressing button 2		Interpreting the display selected
Display A	Display B	
<div style="border: 1px solid black; padding: 10px; width: fit-content; margin: auto;"> <p>70 KM</p> </div>	<div style="border: 1px solid black; padding: 10px; width: fit-content; margin-bottom: 10px;"> <p>SPEED LIMITER 70 KM/H</p> </div> <div style="border: 1px solid black; padding: 10px; width: fit-content; margin-bottom: 10px;"> <p>CRUISE CONTROL 70 KM/H</p> </div> <div style="border: 1px solid black; padding: 10px; width: fit-content;"> <p>AUTO LIGHTS DEACTIVATED</p> </div>	<p>d) Cruise control/speed limiter programmed speed (depending on vehicle) Refer to the information on the “Cruise control - Speed limiter” in Section 2.</p> <p>e) On-board log Successive display:</p> <ul style="list-style-type: none"> – information messages (depending on the vehicle: automatic headlights, etc.), – of operating fault messages (check the injection system, etc.).


TRIP COMPUTER AND WARNING SYSTEM: information messages

These can help in the vehicle starting phase, or give information about a selection or a driving status. Examples of information messages are given in the following pages.

Examples of messages	Interpretation of messages
“BOOT OPEN”	Indicates that the tailgate has been left open.
“OIL LEVEL OK”	Indicates that the oil level is correct when the ignition is switched on.
“AUTO LIGHTS DE- ACTIVATED”	Indicates that the automatic lights function is deactivated.

TRIP COMPUTER AND WARNING SYSTEM: operating fault messages

These appear with the  warning light and mean that you should drive very carefully to an authorised dealer as soon as possible. If you fail to follow this recommendation, you risk damaging your vehicle.

They disappear when the display selection key is pressed or after several seconds and are stored in the computer log. The  warning light stays on. Examples of operating fault messages are given in the following pages.

Examples of messages	Interpretation of messages
« CHECK ESP »	Indicates a fault in the ESP system. Please refer to the information on the “Electronic Stability Program: ESP” in Section 2.
« CHECK FUEL FILTER »	Indicates that there is water present in the diesel fuel. Contact an approved dealer as soon as possible.
« ELECTRONIC FAULT »	Indicates a fault in the electronic management of your vehicle. Contact an approved dealer as soon as possible.
« CHECK GEARBOX »	Indicates that a fault has occurred in the gearbox; contact an approved dealer as soon as possible.
« CHECK AUTO LIGHTS »	Indicates an automatic lighting operating fault; contact an approved dealer.
« CHECK STEERING »	Indicates a power-assisted steering system operating fault.

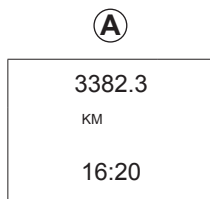
TRIP COMPUTER AND WARNING SYSTEM: warning message

These appear with the **STOP** warning light and require you to stop immediately, for your own safety, as soon as traffic conditions allow. Stop your engine and do not restart it. Contact an approved Dealer.

Examples of warning messages are given in the following pages. **Note:** the messages appear on the display either individually or alternately (when there are several messages to be displayed), and may be accompanied by a warning light and/or a beep.

Examples of messages	Interpretation of messages
« INJECTION FAULT »	Indicates that the vehicle has a serious engine fault.
« ENGINE OVERHEATING »	Indicates that the engine is overheating.
« LOW BATTERY »	Indicates a fault with the battery charging circuit.
« STEERING FAULT »	Indicates a fault in the vehicle's power-assisted steering.
« GEARBOX OVERHEATING »	Indicates that the gearbox is overheating.
« BRAKING FAULT »	Indicates a fault in the braking circuit.
« OIL PRESSURE FAULT »	Indicates an oil pressure fault.

CLOCK AND EXTERIOR TEMPERATURE (1/2)



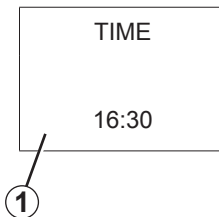
Display A

The time is displayed when the ignition is switched on.

To access display **1** for setting the time, press button **2** or **3**. Wait for a few seconds.

The hours and minutes flash and you are now in setting mode; press and hold button **3** to set the hours.

When the hours flash, repeatedly press or press and hold button **2**, to set them.

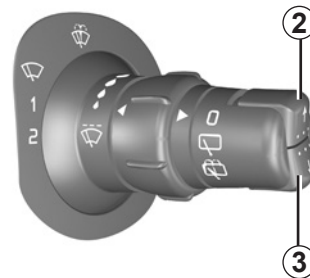


Then press and hold button **3** to confirm the time set.

The minutes flash; repeatedly press or press and hold button **2** to set them.

When setting is complete, the hours and minutes remain displayed continuously for 2 seconds: your setting is registered.

You may change the display.



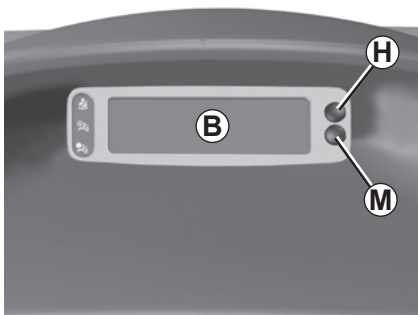
24884

If the power supply is cut (battery disconnected, supply wire cut, etc.), the clock must be reset.

We recommend that you do not adjust these settings while driving.

CLOCK AND EXTERIOR TEMPERATURE (2/2)

28513



Display **B**

The display **B** shows:

- the radio;
- the time;
- the exterior temperature.

The time and/or external temperature are displayed when the ignition is switched on.

Resetting the clock

Press button:

- H** for the hours,
- M** for the minutes.

Vehicles fitted with navigation aid systems, telephones, etc.

Refer to the separate instructions for the function to understand the special features of this equipment.

External temperature indicator

Special note:

When the exterior temperature is -3°C to $+3^{\circ}\text{C}$, the $^{\circ}\text{C}$ characters flash (signalling a risk of ice on the road).

If the power supply is cut (battery disconnected, supply wire cut, etc.), the clock must be reset.

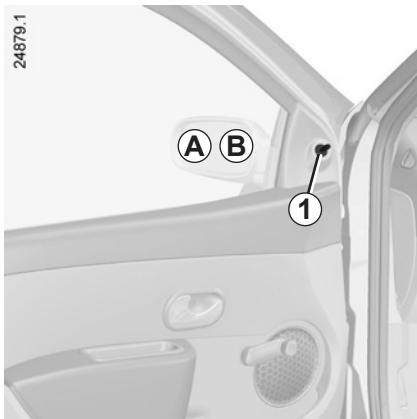
We recommend that you do not adjust these settings while driving.



External temperature indicator

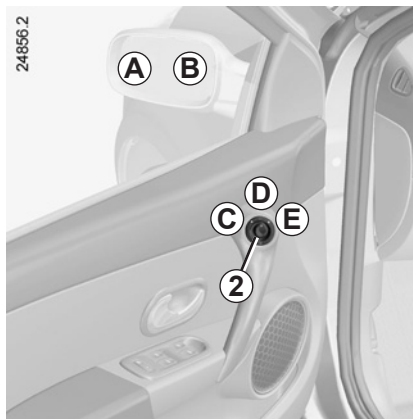
As ice formation is related to climatic exposure, local air humidity and temperature, the external temperature alone is not sufficient to detect ice.

REAR VIEW MIRRORS (1/2)



Door mirrors with manual adjustment

To adjust the mirror, move lever **1**.



Door mirrors with electrical adjustment

With the ignition on, move button **2**:

- position **C** to adjust the left-hand door mirror;
- position **E** to adjust the right-hand door mirror;

D is the inactive position.

Heated door mirrors

With the engine running, mirror de-icing is activated simultaneously with rear screen de-icing/demisting.



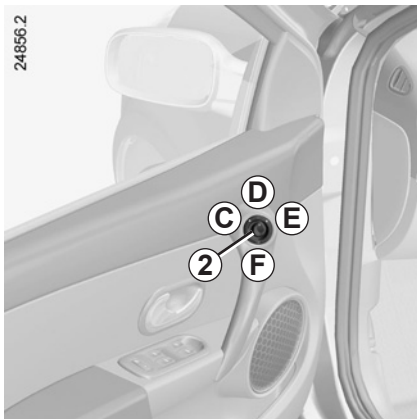
For safety reasons, carry out any adjustments when the vehicle is not being driven.



The driver's door mirror may have two clearly defined zones. Zone **B** shows what can normally be seen in an ordinary rear view mirror. Zone **A** increases rear side visibility.

Objects in zone A look much further away than they really are.

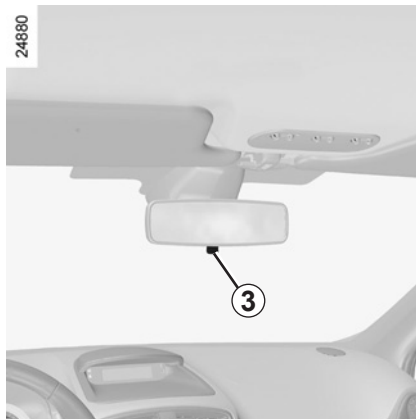
REAR VIEW MIRRORS (2/2)



Folding door mirrors

Move button **2** to position **F** and the door mirrors fold in. To reset them for driving, return to position **C**, **D** or **E**.

If you manually fold the door mirrors, before setting them to the driving position (**C**, **D**, or **E**), you must set control **2** to **F**.



Interior rear view mirror

Its position can be adjusted. When driving at night, to avoid being dazzled by the headlights of the vehicle behind, depress the little lever located behind the rear view mirror **3**.



For safety reasons, carry out any adjustments when the vehicle is not being driven.

EXTERIOR LIGHTING AND SIGNALS (1/5)

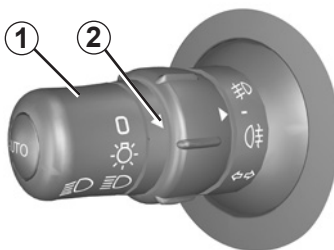


Side lights

Turn the end of stalk **1** until the symbol is opposite mark **2**.

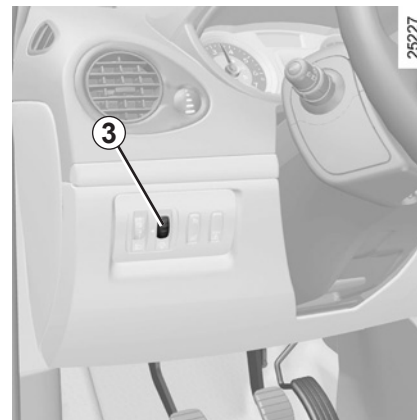
An indicator light on the instrument panel will come on.

24883



Before driving at night, check that the electrical equipment is operating correctly and adjust the headlight beams (if your vehicle is not carrying its normal load). As a general precaution, check that the lights are not obscured (by dirt, mud, snow or objects being transported).

25227

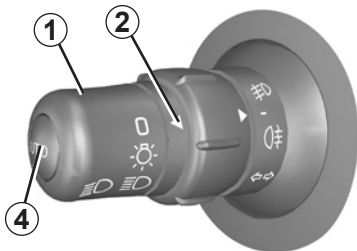


Adjusting the brightness of the instrument panel lighting

Turn control **3** downwards to reduce the brightness and upwards to increase it.

EXTERIOR LIGHTING AND SIGNALS (2/5)

24883



Dipped beam headlights

Manual operation

Turn the end of stalk **1** until the symbol is opposite mark **2**.

An indicator light on the instrument panel will come on.

Automatic operation (depending on vehicle)

With the engine running, the dipped beam headlights are switched on or off automatically depending on the level of ambient light, without the need to operate stalk **1** (position **0**).

This function can be deactivated or reactivated.

- **To activate it**, with the ignition on, press button **4** for at least **four** seconds. An instrument panel message confirms this action.
- **To deactivate it**, with the ignition on and the vehicle stopped, press button **4** for at least **four** seconds. The 'Auto lights OFF' message is displayed on the instrument panel.

If stalk **1** is operated, it overrides and cancels the automatic function temporarily.

See-me-home lighting function

This function (useful, for example, for opening a gate, a garage, etc.) enables you to switch on dipped headlights momentarily.

With the ignition off and the headlights off, pull stalk **1** towards you: the dipped beam headlights come on for approximately thirty seconds.

This action may be carried out no more than four times for a maximum lighting period of two minutes.

To switch off the lights before they go out automatically, turn the end of stalk **1**, then return it to position **0**.

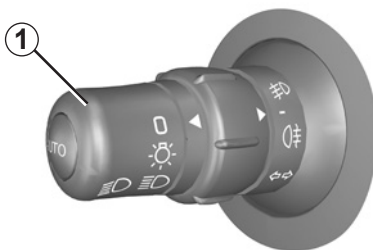
EXTERIOR LIGHTING AND SIGNALS (3/5)

Cornering lights

Depending on the vehicle, if the dipped beam headlights are on when cornering, and under certain driving conditions (speed, steering wheel angle, forwards gear selected, etc.), additional lights are switched on to light the inside of the bend.

Note: under certain conditions of prolonged use, this system will be switched off automatically as it is intended for use over limited periods.

24883



Main beam headlights

With the dipped beam headlights lit, pull stalk **1** towards you.


When the main beam headlights are lit up, an indicator light on the instrument panel comes on.

To return to the dipped headlight position, pull stalk **1** towards you again.

Automatic lighting with main beam headlights

Depending on the vehicle, when you change to main beam headlights, the dipped beam headlight raise to improve lighting.

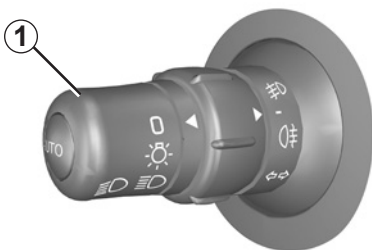
Note: in the event of an operating fault on this system, when returning from main beam to dipped beam headlights, the dipped beam headlight concerned goes out and the front fog lights come

on, accompanied by the  warning light and a fault message on the instrument panel

Warning: as this operating mode is not a normal driving condition, consult an approved Dealer as soon as possible.

EXTERIOR LIGHTING AND SIGNALS (4/5)

24883



Switching off the lights

Manual operation

There are three options (depending on the vehicle):

- return stalk **1** to its initial position;
- the lights go out when the engine is stopped, when the driver's door is opened or when the vehicle is locked. In this case, the next time the engine is started the lights will be switched back according to the position of the stalk **1**.
- a timer will switch off the lights automatically.

Automatic operation (depending on vehicle)

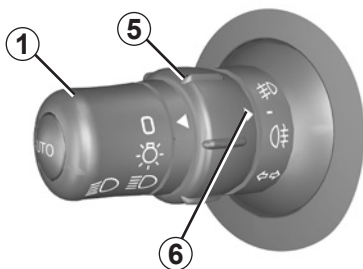
The lights go out when the engine is stopped, when the driver's door is opened or when the vehicle is locked.

Lights-on reminder buzzer

If the lights are switched on after the engine is switched off, a warning beep sounds when the driver's door is opened to warn you that the lights are still on.

EXTERIOR LIGHTING AND SIGNALS (5/5)

24883



Front fog lights

Turn centre ring **5** on stalk **1** until the symbol faces mark **6**, then release it.

Operation of the fog lights depends on the exterior lighting selected, and an indicator light will light up on the instrument panel.

Do not forget to switch off the fog lights when they are no longer needed, to avoid inconveniencing other road users.

Rear fog light

Turn centre ring **5** on stalk **1** until the symbol faces mark **6**, then release it.

The fog light can only be switched on if the dipped beam headlights or front fog lights are lit.

To avoid inconveniencing other road users, remember to switch off the rear fog light when it is no longer needed.

Note: the fog light is located on the driver's side.

Switching off the lights

Turn ring **5** again until mark **6** is opposite the symbol for the fog light you wish to switch off.

The front and rear fog lights switch off when the exterior lights are switched off.

Erratic illumination of the dipped beam headlight and front fog light indicator lights coupled with a message on the instrument panel indicates an operating fault with the automatic lighting of the main beam headlights.

Refer to the information on "Automatic lighting with main beam headlights" in Section 1.

When driving in fog or snow, or when transporting objects which are higher than the roof, the headlights do not come on automatically.

Switching on the fog lights remains the responsibility of the driver: the indicator lights on the instrument panel inform you whether the fog lights are lit (indicator light on) or not (indicator light not on).

ELECTRIC BEAM HEIGHT ADJUSTMENT



On vehicles fitted with this function, control **A** allows you to adjust the height of the beams according to the load.

Turn control **A** downwards to lower the headlights and upwards to raise them.

	Examples of positions for control A depending on the load		
	All versions except Utility and Estate vehicles	Commercial vehicles	Estate
Driver only	0	0	0
Driver with one front passenger	1	1	0
Driver with one front passenger and one rear passenger	1	–	1
Driver with one front passenger, two or three rear passengers, with or without luggage	2	–	2
Driver with luggage or load reaching the maximum permissible all-up weight	3	3	3

WINDSCREEN WASH/WIPE (1/2)



With the ignition on, move stalk **1**

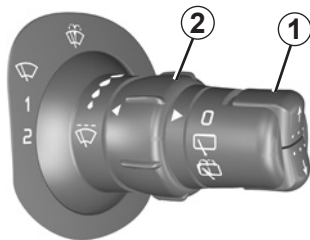
- **A park.**
- **B intermittent wiping**
The wipers will pause for several seconds between sweeps. It is possible to change the time between sweeps by turning ring **2**.
- **C normal wiping speed.**
- **D fast wiping speed.**

Special note

When the vehicle is being driven, the wiping speed slows down whenever the vehicle stops. The speed will change from fast wiping speed to normal wiping speed.

As soon as the vehicle moves off, wiping will return to the speed originally selected.

Any action on stalk **1** overrides and cancels automatic operation.



Vehicles with automatic wiper function

With the engine running, move stalk **1**

- **A park.**
- **B automatic wiper function**
When this position is selected, the system detects the presence of water on the windscreen and triggers wiping at a suitable wiping speed. It is possible to modify the sensitivity by turning ring **2**.
- **C normal wiping speed.**
- **D fast wiping speed.**

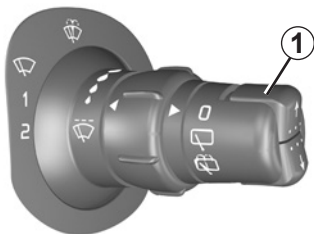


When working in the engine compartment, ensure that the windscreen wiper stalk is in position **A** (park).

Risk of injury.

WINDSCREEN WASH/WIPE (2/2)

24884



Windscreen washer, headlight washers

(depending on vehicle)

With the ignition on, pull stalk **1** towards you.

– Headlights off

A short press triggers one sweep cycle of the wiper.

A longer press triggers three sweeps followed by a final sweep after several seconds.

– Headlights on

The headlight washers will be activated at the same time.



24882.2

In freezing or snowy weather, ensure they are not stuck to the windscreen (including the central area located behind the interior rear-view mirror) and the rear screen before starting the wipers (risk of motor overheating).

Check the condition of the wiper blades. You are responsible for their service life:

- they must remain clean: clean the blades, windscreen and rear screen regularly with soapy water;
- do not use them when the windscreen or rear screen are dry;
- free them from the windscreen or rear screen when they have not been used for a long time.

In all cases, replace them as soon as they begin to lose efficiency: approximately once a year.

Before using the rear wiper, check that no object obstructs the travel of the blade.

Do not use the wiper arm to open or close the tailgate.

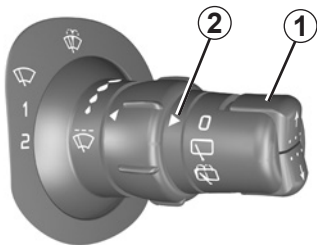


Before any action involving the windscreen (washing the vehicle, de-icing, cleaning the windscreen, etc.) return stalk **1** to position **A** (park).

Risk of injury and/or damage.

REAR SCREEN WASH/WIPE

24884



Speed-dependent timed rear screen wiper

With the ignition on, turn the end of stalk **1** to align mark **2** with the symbol. Wiping frequency varies with speed.



When working in the engine compartment, ensure that the windscreen wiper stalk is in the park position.

Risk of injury.



Before any action on the windscreen (washing the vehicle, de-icing, cleaning the windscreen, etc.) return stalk **1** to the park position.

Risk of injury or damage.

Rear screen wash/wipe

With the ignition on, turn the end of stalk **1** to align mark **2** with the symbol.

When the stalk is released, it returns to the rear wipe position.

Special note

If the windscreen wipers are operating or are in automatic mode, the rear screen wiper wipes intermittently when reverse gear is engaged.

In freezing or snowy weather, ensure they are not stuck to the windscreen (including the central area located behind the interior rear-view mirror) and the rear screen before starting the wipers (risk of motor overheating).

Check the condition of the wiper blades. You are responsible for their service life:

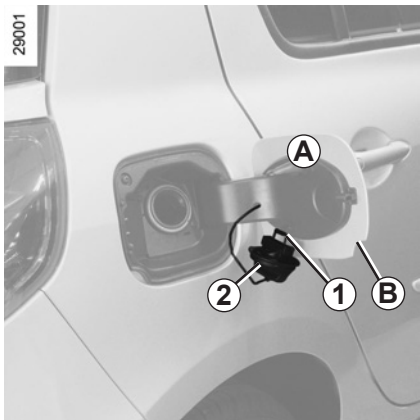
- they must remain clean: clean the blades, windscreen and rear screen regularly with soapy water;
- do not use them when the windscreen or rear screen are dry;
- free them from the windscreen or rear screen when they have not been used for a long time.

In all cases, replace them as soon as they begin to lose efficiency: approximately once a year.

Before using the rear wiper, check that no object obstructs the travel of the blade.

Do not use the wiper arm to open or close the tailgate.

FUEL TANK (1/2)



Filling the tank

To open cover **A**, place your finger into recess **B**.

When filling, use the cap holder **1** on the cover **A** to secure the cap **2**.

After filling, check that the cap and cover are closed.

Useful capacity of the fuel tank: 55 litres approximately.

The engine 1.2 TCe has a fuel tank capacity of approximately 40 litres or 55 litres (depending on the vehicle).



Fuel filler cap: this is specific.

If you have to replace it, make sure it is identical to the original cap. Contact an approved Dealer. Never place the cap near a source of heat or flame.

Do not wash the filler area with a high-pressure washer.

Fuel grade

Use a high grade fuel that complies with the standards currently in force in each country.

Diesel version

It is **essential** to use diesel fuel that conforms to the specifications given on the label inside fuel filler flap **A**.

Make sure that no water accidentally enters the fuel tank during filling. The closure and its surrounding area must be dust-free.



Do not mix even small amounts of petrol (un-leaded or E85) with diesel.

Do not use ethanol-based fuel if your vehicle is not compatible with this fuel.

Do not add additive to the fuel – otherwise you risk damaging the engine.

FUEL TANK (2/2)

Petrol version

It is **essential** to use unleaded petrol. The octane rating (RON) must conform with the specifications given on the label inside fuel filler flap **A**. Refer to the information on “Engine specifications” in Section 6.

Special features of vehicles running on ethanol-based fuel:

It is **essential** to use unleaded petrol or fuel containing a maximum of 85% ethanol (E85).

To make it easier to start the engine in very cold conditions, it is recommended to use unleaded petrol or, on equipped vehicles, to use the heater integrated in the engine.

In this case, connect the special end of the extension piece supplied into the socket integrated into the radiator grille and the other end into a **220V** socket for at least 6 hours before starting.

Note: when using ethanol-based fuel, you may notice over-consumption.

Filling up with fuel

With the ignition switched off, insert the nozzle so that the valve is open and **fully** insert the nozzle before engaging it in order to fill the tank (risk of splash-back).

Keep the nozzle in this position throughout the entire filling operation.

Petrol versions

Using leaded petrol will damage the antipollution system and may lead to a loss of warranty.

To ensure that the fuel tank is not filled with leaded petrol, the fuel tank filler neck contains a restrictor fitted with a foolproof system which **only allows the nozzle for unleaded petrol to be used** (at the pump).

Petrol and diesel versions

When the pump cuts out automatically at the end of the filling procedure, a maximum of two further filling attempts may be made, as there must be sufficient space in the fuel tank to allow for expansion.



Persistent fuel odour

If you notice a persistent fuel odour you should:

- stop the vehicle as soon as traffic conditions allow and switch off the ignition;
- switch on the hazard warning lights and ask your passengers to leave the vehicle and stay clear of the traffic;
- contact an approved Dealer.



No modifications whatsoever are permitted on any part of the fuel supply system (electronic unit, wiring, fuel circuit, injector, protective covers, etc.) as this may be dangerous (unless undertaken by qualified Network personnel).



Section 2: Driving

(Advice on use relating to fuel economy and the environment)

Running in	2.2
Ignition switch	2.3
Starting/stopping the engine using the key	2.4
Starting/stopping the engine using the RENAULT card.	2.5
Special features of petrol versions	2.9
Special features of diesel versions	2.10
Special features of diesel versions fitted with a particle filter	2.11
Gear lever/Handbrake	2.12
Advice: anti-pollution and fuel economy	2.13
Environment	2.16
Anti-lock braking system: ABS.	2.17
Electronic Stability Programme: ESP	2.19
Traction control: ASR.	2.21
Emergency brake assist	2.23
Speed limiter	2.24
Cruise control	2.27
Automatic gearbox.	2.31
Parking distance control	2.34

RUNNING IN

Petrol version

For the first **600 miles** (1,000 km), do not exceed 78 mph (130 km/h) in the highest gear, or 3,000 to 3,500 rpm.

You may only expect top performance from your vehicle after approximately **1,800 miles (3,000 km)**.

Service intervals: refer to the Maintenance Service Booklet for your vehicle.

Diesel version

For the first **900 miles** (1,500 km), do not exceed 2,500 rpm. After completing this mileage you may drive faster, although you may only expect top performance after approximately 3,600 miles (6,000 km).

During the running in period, do not accelerate hard while the engine is still cold and do not let the engine over-rev.

Service intervals: refer to the Maintenance Service Booklet for your vehicle.

IGNITION SWITCH: vehicle with key



Off position S (steering lock applied)

To lock: remove the key and turn the steering wheel until the steering column locks.

To unlock: turn the key and the steering wheel slightly.

“Accessories” position A

When the ignition is switched off, any accessories (radio, etc.) will continue to function.

Ignition position M.

The ignition is switched on:

Start position D

If the engine fails to start at the first attempt, the key must be turned back before the starter can be activated again. Release the key as soon as the engine starts.

Note: on diesel versions, several seconds may pass between turning the key and the engine starting to allow for engine preheating.

Special note on vehicles with an automatic gearbox

Before starting, move the lever to position N or P.

Note:

If a gear other than neutral is displayed, it flashes; starting is not possible unless you depress the brake pedal, while holding the key in the starting position.

STARTING/STOPPING THE ENGINE: vehicle with key

Starting the engine

Petrol injection

Engine warm or cold

- Run the starter **without depressing the accelerator.**
- Release the key as soon as the engine starts.



Diesel injection

Cold or warm engine

- Turn the key to the “Start” position **D without depressing the accelerator pedal.**
- Release the key as soon as the engine starts.

Note: several seconds may pass between turning the key and the engine starting to allow for engine preheating.

Stopping the engine

With the engine idling, turn the key back to the Stop position.



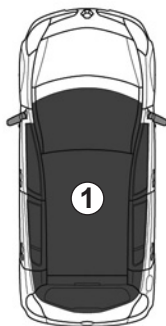
Driver's responsibility

Never leave your vehicle with the key inside and never leave a child (or a pet) unsupervised, even for a short while.

There is a risk that they could start the engine or operate electrical equipment (electric windows etc.) and trap part of their body (neck, arms, hands, etc.).
Risk of serious injury.

Never switch off the ignition before the vehicle has stopped completely. Once the engine has stopped, the brake servo, power-assisted steering, etc., and the passive safety devices such as the airbags and pretensioners will no longer operate.

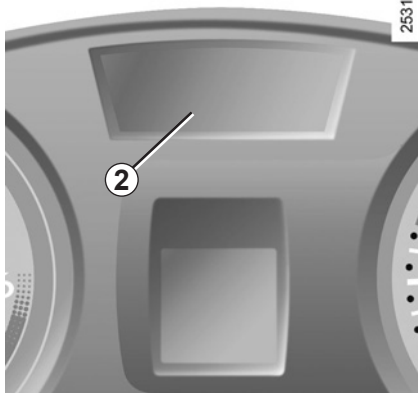
STARTING THE ENGINE: vehicle with RENAULT CARD (1/3)



24888

RENAULT card

The card must be in detection zone **1** (passenger compartment and luggage compartment, except for some high areas such as the sun visor, spectacle holder, dashboard upper section, etc.) or in card reader **4**.



25313

Starting conditions.

Follow the starting instructions on the instrument panel **2** describing the following conditions:

to start, depress the brake pedal or clutch (the pedal must be depressed throughout starting) and press button **3**.

If a gear is engaged, the vehicle may only be started by depressing the clutch pedal.



24860.2



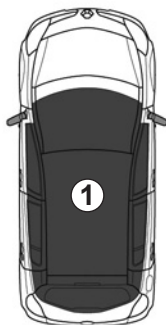
Driver's responsibility

Never leave your vehicle with the RENAULT card inside and never leave a child (or a pet) unsupervised, even for a short while.

The reason for this is that the child may endanger himself or others by starting the vehicle, activating equipment such as the windows, or locking the doors.

Risk of serious injury.

STARTING THE ENGINE: vehicle with RENAULT CARD (2/3)



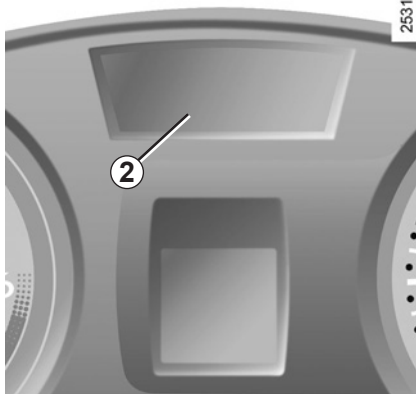
24888

Vehicles with an automatic gearbox

Depress the brake pedal with the lever in the **N** or **P** position.

All vehicles

- if one of the starting conditions is not applied, the following messages: “Depress brake + press start”, “shift to **P**” or “shift to neutral” will be displayed on instrument panel **2**;



25313

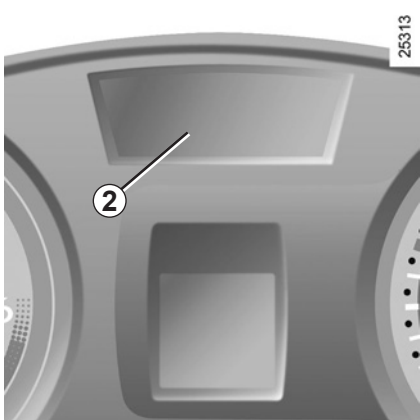
- in some cases, it will be necessary to move the steering wheel while pressing start button **3** to assist in unlocking the steering column; a message on instrument panel **2** warns of this.



24860.2

Note: if a gear other than neutral is displayed, it flashes and starting will only be possible by depressing the brake pedal, with the RENAULT card in detection zone **1** or in card reader **4**.

STARTING THE ENGINE: vehicle with RENAULT CARD (3/3)



Accessories function

To use certain functions with the engine switched off (radio, navigation, etc.), press button **3** without depressing the pedals and with the RENAULT card in detection zone **1** or in card reader **4**.



Starting with the tailgate open

Insert the card into card reader **4** if you wish to start the engine with the tailgate open.

Operating faults

In certain cases, the RENAULT card may not work:

- if the vehicle is located in a zone of high electromagnetic radiation;
- using appliances operating on the same frequency as the card (mobile phone, video game, etc.);

- when the RENAULT card battery is drained, flat battery, etc.

The messages “card not detected” then “insert card” appear on instrument panel **2**.

Move the RENAULT card or insert it fully into card reader **4**.



Driver's responsibility

Never leave your vehicle with the RENAULT card inside and never leave a child (or a pet) unsupervised, even for a short while.

The reason for this is that the child may endanger himself or others by starting the vehicle, activating equipment such as the windows, or locking the doors.

Risk of serious injury.

STOPPING THE ENGINE: vehicle with RENAULT CARD

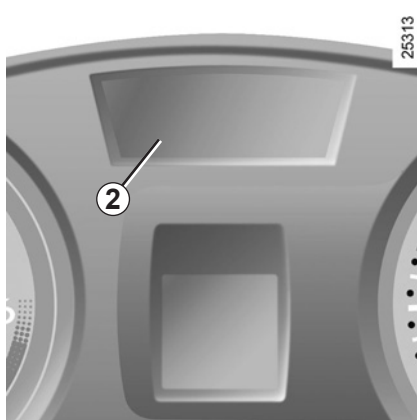


Conditions for stopping the engine

Before stopping the engine, make sure you have your card.

When the vehicle is stationary, press button **3**.

If the card is not in the detection zone after pressing once, the messages 'Confirm engine stop' and 'Press STOP twice' appear on instrument panel **2**.



To ensure that the engine is completely stopped, press button **3** twice.

The steering locks. Check that it is correctly locked in position.

With the engine switched off, any accessories being used (radio, heating and air conditioning, etc.) will continue to function for a few minutes.

When the driver's door is opened, the accessories stop working.



When you leave your vehicle, especially if you have your RENAULT card with you, **check that the engine is completely switched off.**



Driver's responsibility

Never leave your vehicle with the RENAULT card inside and never leave a child (or a pet) unsupervised, even for a short while.

There is a risk that they could start the engine or operate electrical equipment (electric windows etc.) and trap part of their body (neck, arms, hands, etc.).
Risk of serious injury.

Never switch off the ignition before the vehicle has stopped completely. Once the engine has stopped, the brake servo, power-assisted steering, etc. and the passive safety devices such as air bags and pretensioners will no longer operate.

SPECIAL FEATURES OF PETROL VERSIONS

The following operating conditions:

- driving for long periods when the low fuel level warning light is lit;
- using leaded petrol;
- using fuel or lubrication additives which are not approved.

Or operating faults such as:

- faulty ignition system, running out of fuel or disconnected spark plugs resulting in the engine misfiring or cutting out when driving;
- loss of power,

as they may cause the catalytic converter to overheat and thus reduce its efficiency, **or damage it irreparably and cause heat damage to the vehicle.**

If you notice any of the above operating faults, have the necessary repairs carried out as soon as possible by an approved Dealer.

These faults may be avoided by regularly taking your vehicle to an approved Dealer at the intervals specified in the Maintenance Service Booklet.

Starting problems

To avoid damaging the catalytic converter, **do not keep** trying to start the engine (using the start button, or by pushing or towing the vehicle) **without having identified and corrected the starting fault.**

If the fault cannot be identified, do not keep trying to start the engine, but contact an approved Dealer.



Do not park the vehicle or run the engine in locations where combustible substances or materials such as grass or leaves can come into contact with the hot exhaust system.

SPECIAL FEATURES OF DIESEL VERSIONS

Diesel engine speed

Diesel engines are fitted with injection equipment **which prevents the engine speed being exceeded** irrespective of the gear selected.

Running out of fuel

You may start the engine normally after refilling the fuel tank **even if you have completely run out of fuel**, provided that the battery is fully charged.

However, if the engine fails to start after a few seconds and several attempts, contact an approved Dealer.

Precautions to be taken in winter

To avoid faults in icy weather:


- ensure that the battery is always fully charged;
- always keep the diesel tank relatively full to avoid water vapour condensing in it and accumulating at the bottom of the tank.



Do not park the vehicle or run the engine in locations where combustible substances or materials such as grass or leaves can come into contact with the hot exhaust system.


DIESEL VERSIONS WITH PARTICLE FILTER



Depending on the vehicle, warning light 1  comes on to indicate a filter saturation risk.

To clean the particle filter, for 60 miles (100 km) after the message appears, drive at an average speed of at least 24 mph (40 km/h), where suitable traffic conditions and the speed limit will allow, until the warning light goes out. You may need to restart the operation if the vehicle has to stop before the warning light goes out.

As a guide, this type of cleaning should take up to 20 minutes.

If the  warning light comes on, accompanied by the message “Check antipollution”, consult an approved Dealer as soon as possible.

Diesel engine speed

Diesel engines are fitted with injection equipment **which prevents the engine speed being exceeded** irrespective of the gear selected.

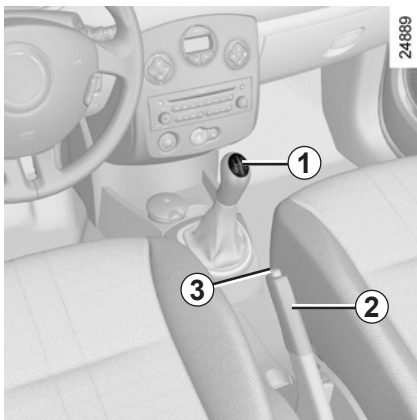
When driving, depending on the grade of fuel used, it is possible that white smoke may be emitted.

This is due to the exhaust particle filter being cleaned automatically, and does not affect the way the vehicle runs.



Do not park the vehicle or run the engine in locations where combustible substances or materials such as grass or leaves can come into contact with the hot exhaust system.

GEAR LEVER/HANDBRAKE



Gear lever

Selecting reverse gear

Vehicles with manual gearbox: refer to the grid on the gear lever knob **1**.

Vehicles with automatic gearbox: refer to the information on the “Automatic gearbox” in Section 2.


The reversing lights will come on as soon as reverse gear is selected with the ignition on.

Handbrake

To release:

Pull lever **2** up slightly, press button **3** and then lower the lever to the floor. The red warning light on the instrument panel will light up if you are driving with an incorrectly released handbrake.

To apply:

Pull lever **2** upwards. Check that the vehicle is immobilised. The warning light  on the instrument panel will come on.



An impact to the underside of the vehicle while manoeuvring (e.g.: striking a post, raised kerb or other street furniture) may result in damage to the vehicle (e.g.: deformation of an axle).

To avoid any risk of accident, have your vehicle checked by an approved Dealer.



Make sure that the handbrake is properly released when driving (red indicator light off), otherwise overheating may occur.



When stationary, and depending on the slope and/or vehicle load, it may be necessary to pull up the handbrake at least two extra notches and engage a gear (1st or reverse gear) for vehicles with a manual gearbox or position **P** for vehicles with an automatic gearbox.

ADVICE: antipollution, fuel economy and driving (1/3)

Your vehicle complies with criteria for recycling and recovering vehicles at the end of their service life which will come into force in 2015.

Some parts of your vehicle have therefore been designed to facilitate future recycling.

These parts are easy to remove so that they can be recovered and reprocessed by recycling companies.

By virtue of its design, moderate fuel consumption and initial settings, your vehicle also conforms to current antipollution regulations. The manufacturer is actively striving to reduce pollutant exhaust gas emissions and to save energy. But the fuel consumption of your vehicle and the level of pollutant exhaust gas emissions are also your responsibility. Ensure that it is maintained and used correctly.

Aiding fuel economy

Depending on the vehicle, in order to optimise consumption, an indicator light on the instrument panel will inform you of the best moment to upshift or downshift gears:



shift up a gear;



shift down a gear.

Maintenance

It is important to remember that failure to respect antipollution regulations could lead to legal action being taken against the vehicle owner. In addition, replacing engine, fuel supply system and exhaust components with parts other than those originally recommended by the manufacturer may alter your vehicle so that it no longer complies with antipollution regulations.

Have your vehicle adjusted and checked by an approved Dealer, in accordance with the instructions given in your maintenance schedule: they will have all the equipment necessary for ensuring that your vehicle is maintained to its original standard.

Engine adjustments

- **ignition:** this does not require adjustment.
- **spark plugs:** for optimum fuel economy, efficiency and performance the specifications laid down by our Design Department must be strictly applied.

If the spark plugs have to be changed, use the make, type and gap specified for your vehicle's engine. Contact an approved dealer for this.

- **idle:** this does not require adjustment.
- **air filter, diesel filter:** a clogged element reduces performance. It must be replaced.

ADVICE: antipollution, fuel economy and driving (2/3)

Exhaust gas monitoring system

The exhaust gas monitoring system will detect any operating faults in the vehicle's antipollution system.

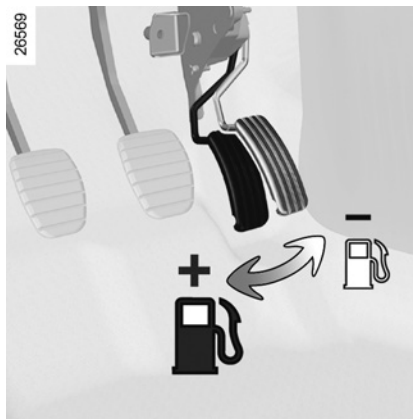
If this system malfunctions, toxic substances may be released into the atmosphere or damage may occur.



This warning light on the instrument panel will indicate if there are any faults in the system:

This lights up when the ignition is switched on and goes out when the engine is started.

- If it lights up continuously, consult an approved Dealer as soon as possible;
- if it flashes, reduce the engine speed until the light stops flashing. Contact your approved dealer as soon as possible.



Driving

- Drive carefully for the first few miles until the engine reaches its normal operating temperature, rather than let it warm up while the vehicle is stationary.
- Speed is expensive.
- Sporty driving uses a lot of fuel: drive with a light right foot.
- Do not overrev the engine in the intermediate gears.

Always use the highest gear possible without labouring the engine.

On versions with an automatic gearbox, it is preferable to keep the gear lever in position **D**.

- Avoid sudden acceleration.
- Brake as little as possible. If you anticipate an obstacle or bend in advance, you may then simply release the accelerator pedal.
- Do not try to maintain the same speed up a hill, accelerate no more than you would on the level. Keep your foot in the same position on the accelerator pedal.
- Double declutching and accelerating before switching off are unnecessary in modern vehicles.
- Bad weather, flooded roads:



Do not drive through floods if the water is above the lower edge of the wheel rims.

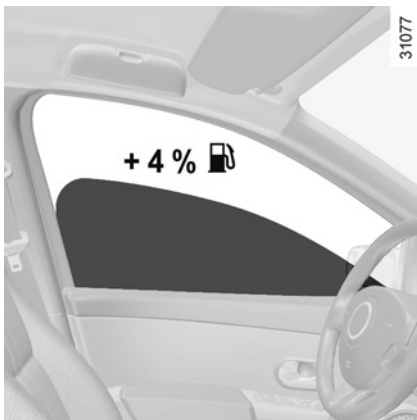


Obstructions to the driver

On the driver's side, only use mats adapted to the vehicle that attach to the pre-installed parts, and regularly check their mounting. Do not place several mats on top of each other.

Risk of pedals jamming

ADVICE: antipollution, fuel economy and driving (3/3)



Advice on use

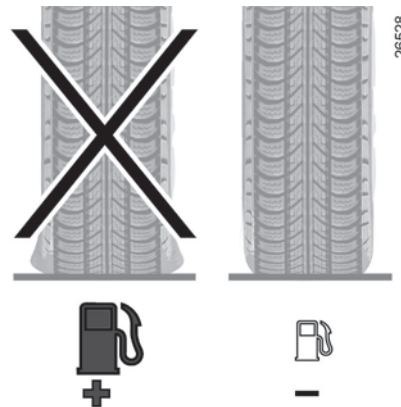
- Electricity is fuel; switch off all the electrical components which are not really needed. **However** (safety first), keep your lights on when the visibility is bad ("see and be seen").
- Use the air vents. Driving with the windows open at 60 mph (100 km/h) will increase fuel consumption by 4%.

- In vehicles fitted with air conditioning, it is normal to observe an increase in fuel consumption (especially in urban conditions) when it is used. For vehicles fitted with manual air conditioning, switch off the system when it is not required.

Advice for reducing consumption and therefore helping to preserve the environment:

If the vehicle has been parked in the sun, open the doors for a few moments to let the hot air escape before starting the engine.

- Never fill the fuel tank right to the brim to avoid overflow.
- Do not leave an empty roof rack fitted to the vehicle.
- It is better to fit a trailer for bulky objects.
- When towing a caravan, fit a wind deflector and adjust it carefully.



- Avoid using the car for door-to-door calls (short journeys with long waits in between) because the engine never reaches its normal operating temperature.

Tyres

- An underinflated tyre increases fuel consumption.
- The use of non-recommended tyres can increase fuel consumption.

ENVIRONMENT

Your vehicle has been designed with respect for the **environment** in mind for its entire service life: during production, use and at the end of its life.

This commitment is illustrated by the of the manufacturer eco² signature.

Manufacture

Your vehicle has been manufactured at a factory which complies with a policy to reduce the environmental impact on the surrounding areas (reduction of water and energy consumption, visual and noise pollution, atmospheric emissions and waste water; sorting and re-using waste).

Emissions

Your vehicle has been designed to emit fewer greenhouse gases (CO₂) while in use, and therefore to consume less fuel (eg. 140 g/km, equivalent to 5.3 l/100 km for a diesel vehicle).

Our vehicles are also equipped with a particle filter system including a catalytic converter, an oxygen sensor and an active carbon filter (the latter prevents vapour from the fuel tank being released into the open air).

For certain diesel vehicles, this system also has a particle filter to reduce the volume of soot particles emitted.

Please make your own contribution towards protecting the environment too

- Worn parts replaced in the course of routine vehicle maintenance (vehicle battery, oil filter, air filter, batteries, etc.) and oil containers (empty or filled with used oil) must be disposed of through specialist organisations.

- At the end of the vehicle's service life, it should be sent to approved centres to ensure that it is recycled.
- In all cases, comply with local legislation.

Recycling

Your vehicle is 85% recyclable and 95% recoverable.

To achieve these objectives, many of the vehicle components have been designed to enable them to be recycled. The materials and structures have been carefully designed to allow these components to be easily removed and reprocessed by specialist companies.

In order to preserve raw material resources, this vehicle incorporates numerous parts made from recycled plastics or renewable materials (vegetable or animal-derived materials such as cotton or wool).

ANTI-LOCK BRAKING SYSTEM: ABS (1/2)

Under heavy braking, the essential requirements are to limit the stopping distance and keep your vehicle under control. However, there is a risk that roadholding and directional control may be lost and the wheels may lock under braking, depending on the nature of the ground, weather conditions and your reactions. The Anti-lock Braking System (ABS) has been designed to combat this danger.

The safety enhancement is that the brake control system prevents the wheels from locking, even if the brakes are applied too sharply, and allows the vehicle to be steered and thus its direction to be controlled. Under these circumstances it is quite possible for the driver to steer the vehicle and to avoid an obstacle whilst at the same time applying the brake.

This system also allows you to optimise stopping distances when the grip of one or more wheels may be lost (wet roads, slippery or varying road surfaces).

Although this system allows you to optimise stopping distances, the ABS does not allow you to increase vehicle performance, which is physically linked to the local conditions of tyre/road adhesion. It is still essential to follow the rules of good driving practice (such as driving at a safe distance from the vehicle in front). **The fact that the vehicle's safety has been increased should not encourage you to take risks.**

You will feel a pulsation through the brake pedal each time the system is activated. These tangible signs will warn you that the grip of the tyres on the ground has reached its limit and enable you to adapt your driving style to suit the road conditions.





This function is an additional aid in the event of critical driving conditions, enabling the vehicle behaviour to be adapted to suit the driving conditions.

However, the function does not take the place of the driver. **It does not increase the vehicle's limits and should not encourage you to drive more quickly.**

Therefore, it can under no circumstances replace the vigilance or responsibility of the driver when manoeuvring the vehicle (the driver must always be ready for sudden incidents which may occur when driving).

ANTI-LOCK BRAKING SYSTEM: ABS (2/2)

One of two situations may arise if there is a fault in the ABS system:




1 – The orange warning lights  and  light up on the instrument panel.

Braking is still performed, but without the ABS system. Contact an approved Dealer as soon as possible.



2 – The orange warning light  and the red brake fault warning light



 along with  and  and the message 'brake fault' light up on the instrument panel.

This indicates that both the braking system and the ABS system are faulty. Your braking systems are only partially operational. However, it is **dangerous to brake suddenly** and it is essential to stop immediately, as soon as traffic conditions allow. Contact an approved Dealer.

The braking modulation provided by the ABS is independent of the effort applied to the brake pedal. In an emergency, apply **firm and continuous pressure** to the brake pedal. There is no need to pump it repeatedly.

ELECTRONIC STABILITY PROGRAM: E.S.P. (1/2)

This system helps to keep control of the vehicle in critical driving situations (avoiding an obstacle, loss of grip when cornering, etc.) and works in conjunction with the **'understeer control' system**.



This function is an additional aid in the event of critical driving conditions, enabling the vehicle behaviour to be adapted to suit the driving conditions.

However, the function does not take the place of the driver. **It does not increase the vehicle's limits and should not encourage you to drive more quickly.**

Therefore, it can under no circumstances replace the vigilance or responsibility of the driver when manoeuvring the vehicle (the driver must always be ready for sudden incidents which may occur when driving).



Operating principle

A sensor in the steering wheel detects the direction selected by the driver.

Other sensors throughout the vehicle measure the actual direction.

The system compares the direction selected by the driver and the actual direction of the vehicle and corrects this as necessary by applying the brakes selectively and/or acting on the engine power.

When the E.S.P. function starts operating, warning light **A** flashes to warn you.

If the warning light comes on accompanied by the 'traction control deselected' message when the engine is started, slowly turn the steering wheel from lock to lock to reinitialise the system.

Understeer control

This system optimises the action of the E.S.P. in the case of pronounced understeering (loss of front axle road holding).

ELECTRONIC STABILITY PROGRAM: E.S.P. (2/2)

Disabling the function

The function is deactivated by pressing switch **1**; warning light **A** will come on to warn you that the system has been deactivated.


This action also deactivates the traction control mechanism: the message 'ASR deselected' appears on the instrument panel. Refer to the information on "Traction control" in the following pages.

Correct this as soon as possible by pressing switch **1** again.

The function is reactivated automatically when the ignition is switched on or when a speed of approximately 30 mph (50 km/h) is exceeded.

It is impossible to deselect this function when travelling above a threshold of approximately 30 mph (50 km/h).






Deactivating the A.S.R. function results in the E.S.P. function being deactivated. Refer to the information on the "Traction control: ASR" on the following pages.



Operating faults

When the system detects an operating fault the message "Check ESP" appears on the instrument panel along with warning lights  and **A**.

Consult an approved dealer.

TRACTION CONTROL: A.S.R. (1/2)

This system helps to limit skidding on drive wheels and to control the vehicle when pulling away or accelerating.



This function is an additional aid in the event of critical driving conditions, enabling the vehicle behaviour to be adapted to suit the driving conditions.

However, the function does not take the place of the driver. **It does not increase the vehicle's limits and should not encourage you to drive more quickly.**

Therefore, it can under no circumstances replace the vigilance or responsibility of the driver when manoeuvring the vehicle (the driver must always be ready for sudden incidents which may occur when driving).



28977

Operating principle

Using the wheel sensors, the system measures and compares the speed of the drive wheels at all times and slows down their over-rotation.

If a wheel is starting to slip, the system brakes automatically until the drive supplied becomes compatible with the level of grip under the wheel again.

The system also adjusts the engine speed to the grip available under the wheels, independently of the pressure exerted on the accelerator pedal.

When the function begins to operate, warning light **A** flashes to warn you.

If the warning light comes on accompanied by the 'traction control deselected' message when the engine is started, slowly turn the steering wheel from lock to lock to reinitialise the system.

TRACTION CONTROL: A.S.R. (2/2)

Disabling the function

In some situations (driving on very wet ground: snow, mud, etc. or driving with snow chains fitted), the system may reduce the engine output to limit wheel-spin. If this is not required, it is possible to deactivate the function by pressing switch **1**.

The 'traction control deselected' message is displayed on the instrument panel along with warning light **A** to inform you.


Disabling the function also disables the E.S.P. function.

Correct this as soon as possible by pressing switch **1** again.

The function is reactivated automatically when the ignition is switched on or when a speed of approximately 30 mph (50 km/h) is exceeded.

It is impossible to deselect this function when travelling above a threshold of approximately 30 mph (50 km/h).






Deactivating the A.S.R. function results in the E.S.P. function being deactivated. Refer to the information on the "Electronic stability program: E.S.P." on the following pages.



Operating faults

When the system detects an operating fault the message "Check E.S.P." appears on the instrument panel along with the  warning light and warning light **A**.

Consult an approved dealer.

EMERGENCY BRAKE ASSIST

This system supplements the ABS and helps reduce vehicle stopping distances.

Operating principle

The system is for detecting an emergency braking situation. In this case, the braking assistance immediately develops maximum power and may trigger ABS regulation.

ABS braking is maintained as long as the brake pedal is applied.

Hazard warning lights switching on

Depending on the vehicle, these may light up in the event of sudden deceleration.



This function is an additional aid in the event of critical driving conditions, enabling the vehicle behaviour to be adapted to suit the driving conditions.

However, the function does not take the place of the driver. **It does not increase the vehicle's limits and should not encourage you to drive more quickly.**

Therefore, it can under no circumstances replace the vigilance or responsibility of the driver when manoeuvring the vehicle (the driver must always be ready for sudden incidents which may occur when driving).

CRUISE CONTROL/SPEED LIMITER: speed limiter function (1/3)



The speed limiter function helps you stay within the driving speed limit that you choose.

This may be useful, for example, driving in urban areas or areas with a speed restriction (roadworks), etc.

The system operates above a driving speed of approximately 20 mph (30 km/h).



Controls

- 1 Main "On/Off" switch.
- 2 Limit speed activation, storage and increase switch (+).
- 3 Limit speed activation, storage and decrease switch (-).
- 4 Switch the function to standby, with limit speed stored (O).
- 5 Stored limit speed activation, storage and recall (R).



Indicator light 6

This indicator light on the instrument panel lights up to indicate that the limiter function is in operation.

When the function is activated, the message 'Limiter' appears on the instrument panel accompanied by dashes.

CRUISE CONTROL/SPEED LIMITER: speed limiter function (2/3)



Switching on

Press switch **1** on the side showing



This indicator light on the instrument panel comes on.

Limiting the speed

At a steady speed (above 20 mph (30 km/h)), press switch **2** (+): the speed is stored.

Driving

When a limit speed has been stored, if this speed is not reached the vehicle behaves in a similar way to those without the speed limiter function.

From this point, no effort on the accelerator pedal will allow you to exceed the programmed speed except in an emergency (refer to information on "Exceeding the limit speed").



Varying the limit speed

The limit speed may be changed by pressing repeatedly or holding down:

- switch **2** (+) to increase the speed;
- switch **3** (-) to decrease the speed.

The system is designed in such a way that it is possible to detect a difference between the stored speed and the speed shown on the instrument panel.



The speed limiter function is in no way linked to the braking system.

CRUISE CONTROL/SPEED LIMITER: speed limiter function (3/3)

Exceeding the limit speed

In the event of an emergency

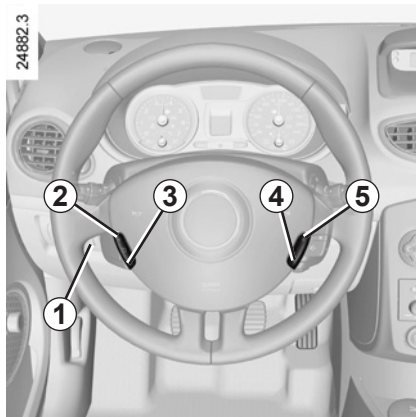
It is possible to exceed the limit speed at any moment. To do this: press the accelerator pedal **firmly and fully** (beyond the kickdown point).

Whilst the speed is being exceeded, the cruising speed displayed on the instrument panel flashes.

When the emergency has passed, release the accelerator pedal: the speed limiter function will return as soon as you reach a speed lower than the limit speed before the emergency.

Limit speed cannot be maintained

In some driving conditions (for example when driving up or down a steep gradient), the system is unable to maintain the limit speed: the stored speed on the instrument panel information display will flash to inform you of this situation.



Switching off the function

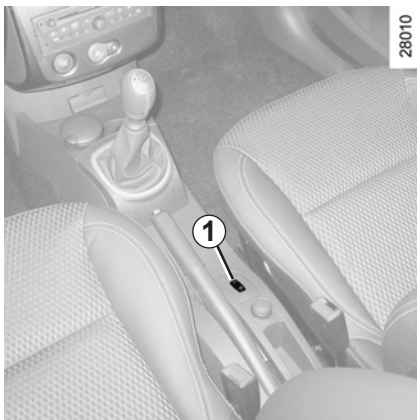
The speed limiter function is interrupted when you press:

- switch **4** (O), in which case the limit speed remains stored and the message “Stored” appears on the instrument panel;
- switch **1**, in which case the limit speed is no longer stored, and the indicator light on the instrument panel goes out to confirm that the function has been cancelled.

Recalling the limit speed

A stored speed can be recalled by pressing switch **5** (R) until the message “Speed limiter” is displayed.

CRUISE CONTROL/SPEED LIMITER: cruise control function (1/4)

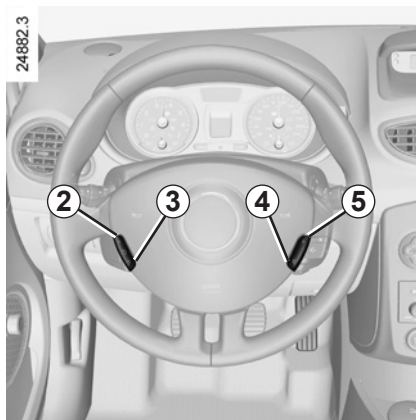


The cruise control function helps you to maintain your driving speed at a speed that you choose, called the **cruising speed**.

This cruising speed may be set at any speed above 20 mph (30 km/h).



The cruise control function is in no way linked to the braking system.



Controls

- 1 Main “On/Off” switch.
- 2 Cruising speed activation, storage and increase switch (+).
- 3 Cruising speed activation, storage and decrease switch (-).
- 4 Switch the function to standby (with memorisation of governed cruising speed) (O).
- 5 Recall of memorised governed cruising speed (R).



This function is an additional driving aid. However, the function does not take the place of the driver.

Therefore, it can under no circumstances replace the driver’s responsibility to respect speed limits and to be vigilant (the driver must always be ready to brake).

Cruise control must not be used in heavy traffic, on undulating or slippery roads (black ice, aquaplaning, gravel) and during bad weather (fog, rain, side winds etc.).

There is a risk of accidents.

CRUISE CONTROL/SPEED LIMITER: cruise control function (2/4)



Switching on

Press switch **1** on the side showing



Indicator light **7** on the instrument panel lights up to indicate that the cruise control function is in operation.

When the function is activated, the message 'Cruise control' appears on the instrument panel accompanied by dashes.



Activating cruise control

At a steady speed (above 20 mph (30 km/h) approximately) press switch **2** (+) or **3** (-): the speed is stored.

Cruise control activation is confirmed when indicator light **6** is lit up in green in addition to indicator light **7**.

The system is designed in such a way that it is possible to detect a difference between the stored speed and the speed shown on the instrument panel.



Driving

Once a cruising speed is stored and the cruise control function is active, you may lift your foot off the accelerator pedal.



Important: you are nevertheless advised to keep your feet close to the pedals in order to react if necessary.

CRUISE CONTROL/SPEED LIMITER: cruise control function (3/4)



Varying the cruising speed

The cruising speed may be changed by pressing repeatedly or continuously on:

- switch **2** (+) to increase the speed;
- switch **3** (-) to decrease the speed.



The cruise control function is in no way linked to the braking system.

Exceeding the cruising speed

In the event of an emergency

The cruising speed may be exceeded at any time by depressing the accelerator pedal. While it is being exceeded, the cruising speed flashes on the instrument panel.

Cruising speed cannot be maintained

In some driving conditions (for example when driving down a steep gradient), the system is unable to maintain the cruising speed: the speed on the instrument panel information display will flash to inform you of this situation.

CRUISE CONTROL/SPEED LIMITER: cruise control function (4/4)




Putting the function on standby

The function is interrupted when you:

- the switch **4** (O);
- the brake pedal;
- the clutch pedal or shift into neutral if the vehicle has an automatic gearbox.

In all three cases, the cruising speed is stored.

Standby is confirmed when indicator light  goes out.

Recalling the cruising speed

If a speed has been stored, it is possible to recall it by pressing switch **5** (R), on condition that you are driving faster than 20 mph (30 km/h) and that you are sure that the driving conditions are suitable (traffic, road surface condition, weather conditions, etc.).



Switching off the function

Press switch **1**. If you do this, the speed is not memorised.

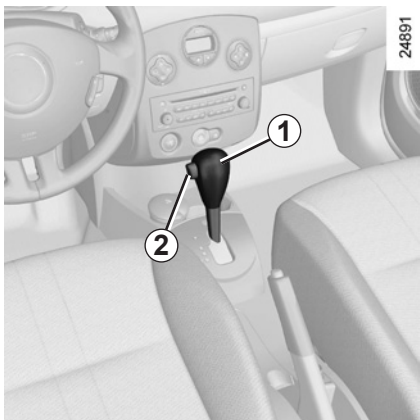
The instrument panel green indicator lights  and  go out, confirming that the function is deactivated.

Pressing switches **2** (+) or **3** (-) reactivates the cruise control function without taking into account the memorised speed: it is the speed at which the vehicle is moving that is taken into account.



Putting the cruise control on standby or switching it off does not cause a rapid reduction in speed: you must brake by depressing the brake pedal.

AUTOMATIC TRANSMISSION (1/3)



Selector lever 1

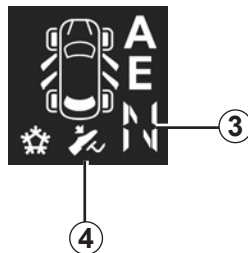
P: park

R: reverse

N: neutral

D: automatic mode

3: displays gear engaged in manual mode.



Operation

With gear lever 1 in position **P**, start the engine.

With your foot on the brake pedal (warning light 4 goes out), move the lever out of position **P**.

Only engage D or R when the vehicle is stopped, with your foot on the brake and the accelerator pedal released.

You must apply the brake before pressing unlocking button 2 to move out of position P.

Driving in automatic mode

Move lever 1 to position **D**.

In most traffic conditions, you will not have to touch the gear selector lever again: the gears will change automatically at the right time and at the most suitable engine speed because the automatic system takes into account the vehicle load and road contour and adjusts itself to the particular driving style you have chosen.

Economical driving

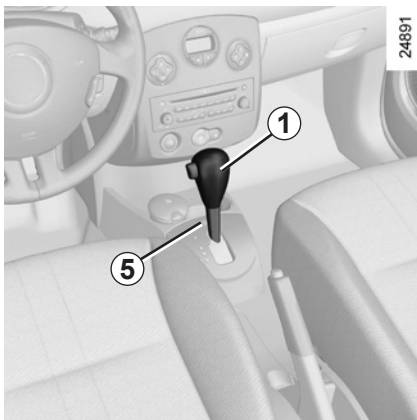
When driving, always leave the lever in position **D**, keeping the accelerator pedal lightly depressed to ensure automatic gear changes at comparatively low engine speeds.

Accelerating and overtaking

Depress the accelerator pedal firmly and fully (so that it goes beyond the kickdown point).

This will enable you to change down to the optimum gear within the engine range.

AUTOMATIC TRANSMISSION (2/3)



Driving in manual mode

With selector lever **1** in position **D**, move the lever to the left.

Shifting the lever repeatedly allows you to change gears manually:

- To move down through the gears, push the lever backwards;
- to move up through the gears, push the lever forwards.

The gear selected is displayed on the instrument panel.



Special circumstances

- **Snow position:** if you are driving on ground where you are likely to skid (snow, mud, etc.), press switch **5** and operating tell-tale **6** will come on.

Once these special driving conditions no longer apply, exit this function by pressing switch 5 again. Operating tell-tale light 6 goes out.

- **If the road contour and bends in the road** do not allow you to stay in automatic mode (e.g.: in mountainous areas), it is recommended that you switch to manual mode.

This will prevent the automatic gearbox from changing gears repeatedly when climbing, and permit engine braking on long descents.

- **In cold weather**, start the engine and wait a few seconds before moving the selector lever from position **P** or **N** and engaging it in **D** or **R** to prevent the engine stalling.

- **Vehicles not fitted with traction control:** on a slippery surface or surface with a low level of adhesion, change to manual mode and select second gear (or even third) before starting the engine to avoid wheel-spin when accelerating.

In very cold weather, the system may prevent the gears from being shifted in manual mode until the gearbox reaches the right temperature.

AUTOMATIC TRANSMISSION (3/3)

Parking the vehicle

When the vehicle is stopped, move the lever to position **P** while keeping your foot on the brake pedal: the gearbox is in neutral and the drive wheels are mechanically locked by the driveshaft.

Apply the handbrake.



An impact to the underside of the vehicle while manoeuvring (e.g.: striking a post, raised kerb or other street furniture) may result in damage to the vehicle (e.g.: deformation of an axle).

To avoid any risk of accident, have your vehicle checked by an approved Dealer.

Operating faults

- **when driving**, if the ‘check gearbox’ message appears on the instrument panel, it indicates a fault.

Contact your approved Dealer as soon as possible;

- **when driving**, if the message “gearbox overheating” appears on the instrument panel, avoid leaving the lever in position **D** (or **R**) where traffic conditions allow: always return to position **N** when stationary.

Contact your approved Dealer as soon as possible;

- **If a vehicle with an automatic gearbox breaks down**, refer to the information on “Towing” in Section 5.



For safety reasons, do not switch off the ignition before the vehicle has come to a complete standstill.



When setting off, if the lever is locked in position **P** even though you are depressing the brake pedal, the lever can be released manually. To do this, unclip the base of the lever, press recess **7**, visible on the gear lever gaiter, and the unlocking button on the lever.

PARKING DISTANCE CONTROL (1/2)

Operating principle

Ultrasonic sensors, fitted in the vehicle's rear bumper, measure the distance between the vehicle and an obstacle when reversing.

This measurement is indicated by beeps which become more frequent the closer you come to the obstacle, until they become a continuous beep when the vehicle is approximately 30 centimetres from the obstacle.

There is a beep when changing to reverse gear.

Note: make sure that the ultrasonic sensors are not obscured (by dirt, mud, snow, etc.).

Operating faults

When the system detects an operating fault there will be a 5-second, continuous warning beep when reverse gear is selected. Consult an approved dealer.



When the vehicle is being driven at a speed below approximately 6 mph (10 km/h), certain noises (motorcycle, lorry, pneumatic drill, etc.) may trigger the beeping sound.

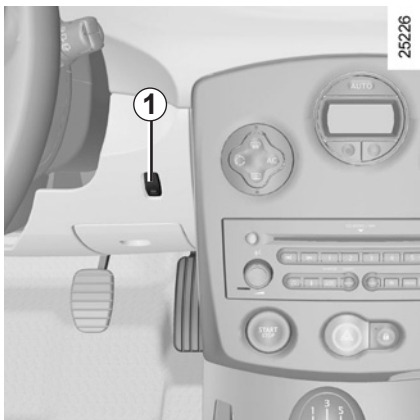


This function is an additional aid that indicates the distance between the vehicle and an obstacle whilst reversing, using sound signals.

Under no circumstances should it replace the driver's care or responsibility whilst reversing.

The driver should always pay attention to sudden incidents during driving: always ensure that there are no moving obstacles (such as a child, animal, pram, bicycle, etc.) or small, narrow objects such as stones or posts in your path when manoeuvring.

PARKING DISTANCE CONTROL (2/2)



Temporary deactivation of the system

Press switch **1** to deactivate the system.

The indicator light built into the switch lights up to remind you that the system is deactivated.

Pressing the switch again will reactivate the system and switch off the indicator light.

The system is automatically reactivated after the ignition is switched off and the engine restarted.

Prolonged deactivation of the system

You can deactivate the system for prolonged periods by pressing the switch for longer than approximately three seconds.

The warning light built into the switch remains lit constantly.

Once deactivated, the system can be reactivated by pressing the button again for longer than approximately three seconds.



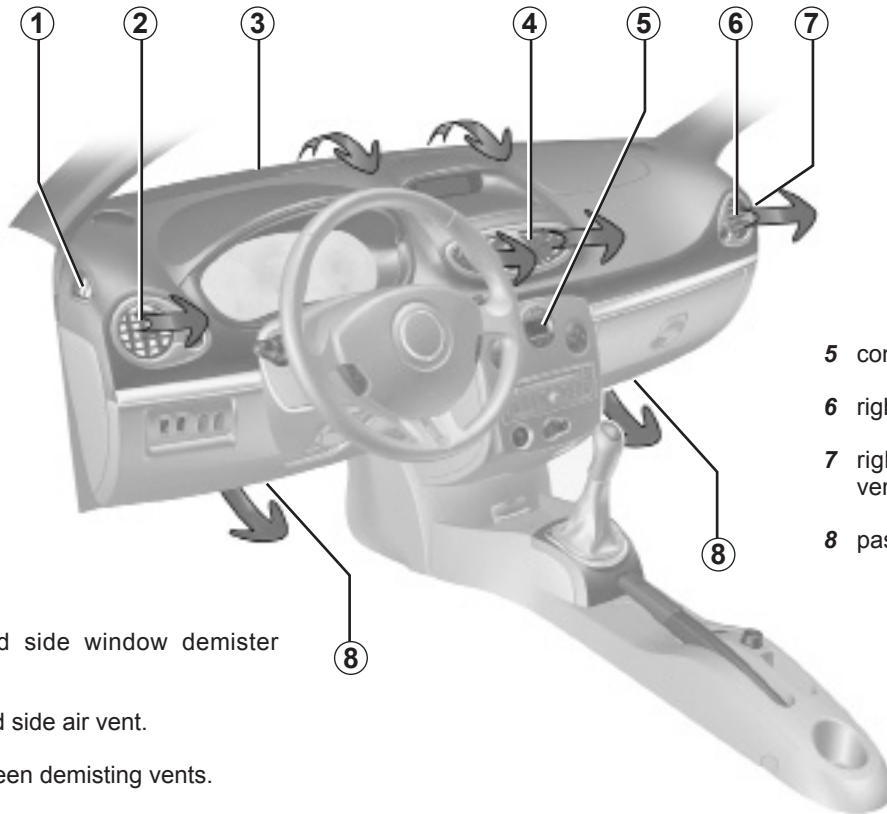
An impact to the underside of the vehicle (e.g.: striking a post, raised kerb or other street furniture) may result in damage to the vehicle (e.g.: deformation of an axle).

To avoid any risk of accident, have your vehicle checked by an approved Dealer.

Section 3: Your comfort

Air vents	3.2
Heating and air conditioning	3.4
Air conditioning: information and advice on use	3.16
Electric windows	3.17
Electric sunroof	3.20
Sun visor	3.22
Interior lighting	3.23
Passenger compartment storage space and fittings	3.24
Ashtray/cigarette lighter	3.28
Rear bench seat: functions	3.30
Boot	3.32
Rear parcel shelf	3.32
Luggage cover	3.33
Boot storage	3.35
Transporting objects in the boot	3.37
Luggage net	3.38
Roof bars/Spoiler	3.40
Hands-free telephone integrated control	3.42

AIR VENTS, air outlets (1/2)



1 left-hand side window demister vent.

2 left-hand side air vent.

3 windscreen demisting vents.

4 centre air vents.

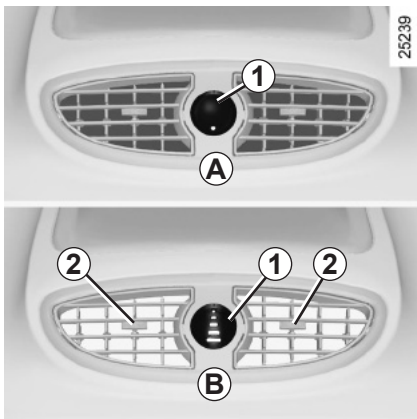
5 control panel.

6 right-hand side air vent.

7 right-hand side window demister vent.

8 passenger footwell heater outlets.

AIR VENTS, air outlets (2/2)

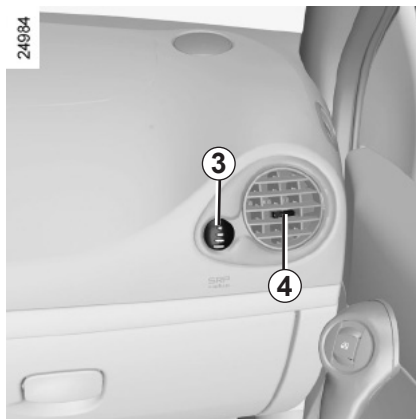


Air flow

Move the control knob **1** or **3** (beyond the resistance point).

A : closed.

B : maximum air flow



Direction

Right/left: move tabs **2** or **4**.

Up/down: lower or raise tabs **2** or **4**.

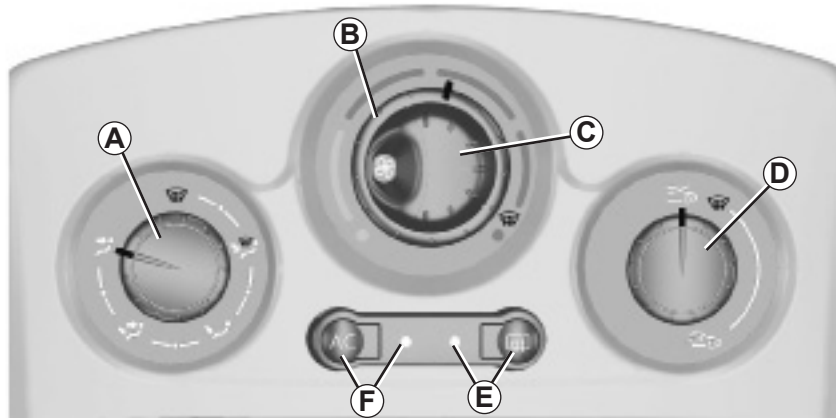
To remove bad odours from your vehicles, only use the systems designed for this purpose. Consult an approved Dealer.



Do not add anything to the vehicle's ventilation circuit (for example, to remove bad odours).

There is a risk of damage or of fire.

HEATING, AIR CONDITIONING (1/4)



The controls

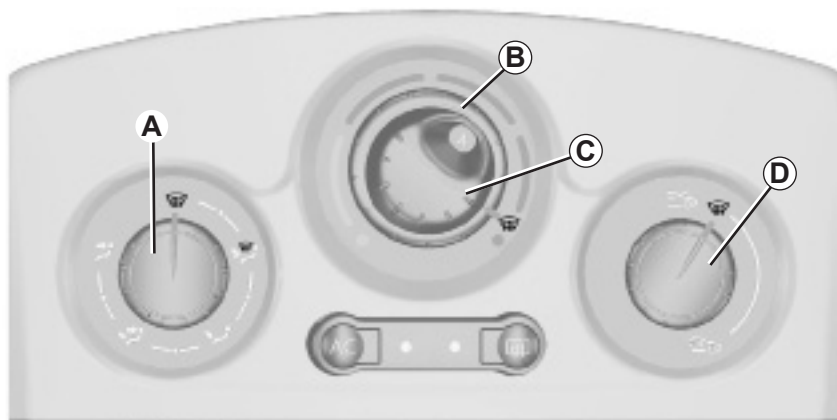
- A** Adjusting the passenger compartment air distribution.
- B** Air temperature adjustment.
- C** Ventilation speed adjustment.
- D** Air recirculation control.

E Heated rear screen and heated door mirror control and indicator light (depending on vehicle).

F Air conditioning operation control and indicator light (depending on vehicle).

Information and advice on use: refer to the information on “Air conditioning: information and advice on use”.

HEATING, AIR CONDITIONING (2/4)





Distribution of air in the passenger compartment

Turn control **A** to position the pointer opposite the marked positions.



All the air flow is directed to the demisting vents for the windshield and the side windows.

Note: for rapid demisting, use the air conditioning (depending on the vehicle), position controls **A**, **B** and **D**

on  and adjust the ventilation speed **C** to .



The air flow is shared between the side window and windshield demisting vents and the passenger footwells.

This is the recommended position for the best temperature in cold weather.



The air flow is directed mainly towards the footwells.



The air flow is directed mainly towards all the air vents and the passenger footwells.

This is the recommended position for the best temperature in hot weather.



The air flow is directed mainly towards all the air vents.

HEATING, AIR CONDITIONING (3/4)

Adjusting the air temperature

Turn control **B** to obtain the desired temperature. The further the pointer is in the red, the more the temperature will be increased.

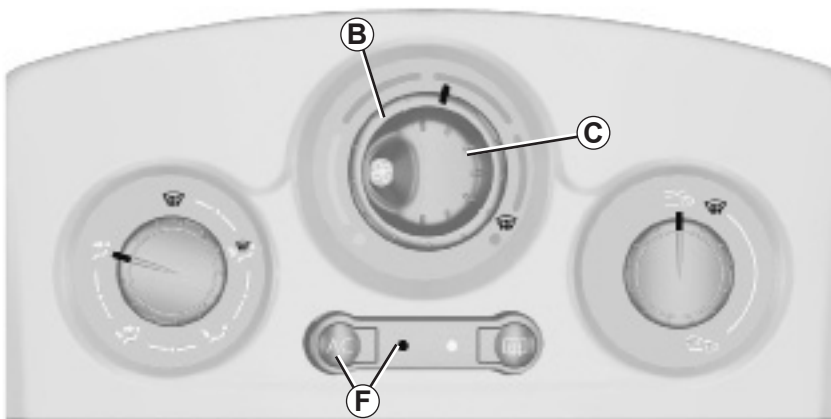
Switching air conditioning on or off

The air conditioning is switched on (indicator light illuminated) or off (indicator light extinguished) using button **F**.

The air conditioning system is used for:

- lowering the temperature inside the passenger compartment;
- eliminating condensation more quickly.

The air conditioning does not operate when the exterior temperature is low.



Adjusting the ventilation speed

Normal use

Turn control **C** to one of the four positions to start the ventilation system and adjust the power.

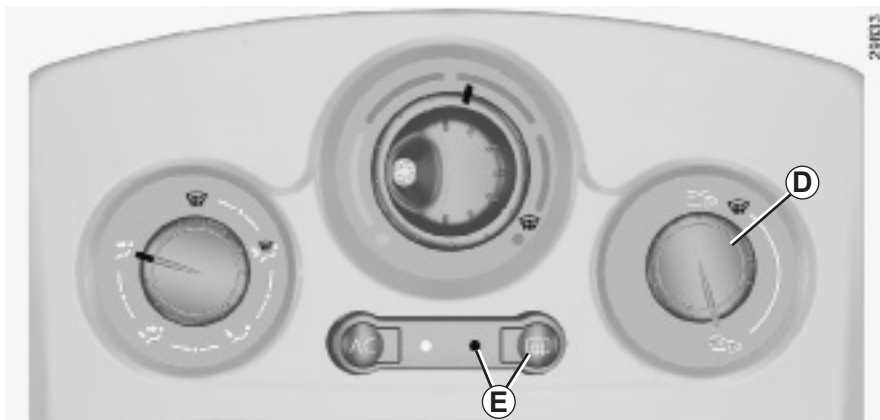
Select position  for minimum ventilation and position  for maximum ventilation.

Position


In this position:

- the air conditioning stops automatically even if button **F** is activated (the indicator light remains lit);
- the ventilation speed of air in the passenger compartment is zero;
- there is, however, a slight flow of air when the vehicle is moving.

This position should not normally be used.



Air recirculation operation (isolation of the passenger compartment)

Turn control **D** towards symbol : air is taken from the passenger compartment and is recirculated, with no air being taken from outside the vehicle.

Air recirculation is for:

- isolating the vehicle from the external atmosphere (driving in polluted areas, etc.);
- bringing the passenger compartment to the desired temperature as quickly as possible.

Prolonged use of air recirculation can lead to condensation forming on the side windows and windscreen, and discomfort due to the use of non-renewed air in the passenger compartment.

We therefore advise you to return to normal mode (external air) as soon as the air recirculation function is no longer required, by turning control **D**.

Rear screen de-icing/ demisting

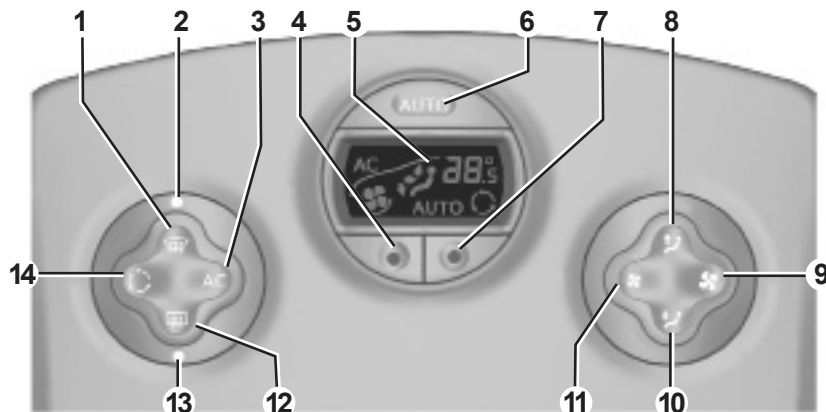
With the engine running, press button **E**. The operating tell-tale comes on.

This function permits rapid demisting/ de-icing of the rear screen and de-icing of the door mirrors (on equipped vehicles).

To exit this function, press button **E** again.

Demisting automatically stops.

AUTOMATIC CLIMATE CONTROL (1/8)



The controls

- 1 Clear View button to demist and de-ice the windows.
- 2 Clear View function indicator light.
- 3 Switching the air conditioning on and off.
- 4 and 7 Adjusting the air temperature.

5 Display.

6 Starting automatic mode.

8 and 10 Passenger compartment air distribution adjustment.

9 and 11 Adjusting the ventilation speed.

12 Heated rear screen and heated door mirrors (depending on vehicle).

13 Heated rear screen indicator light.

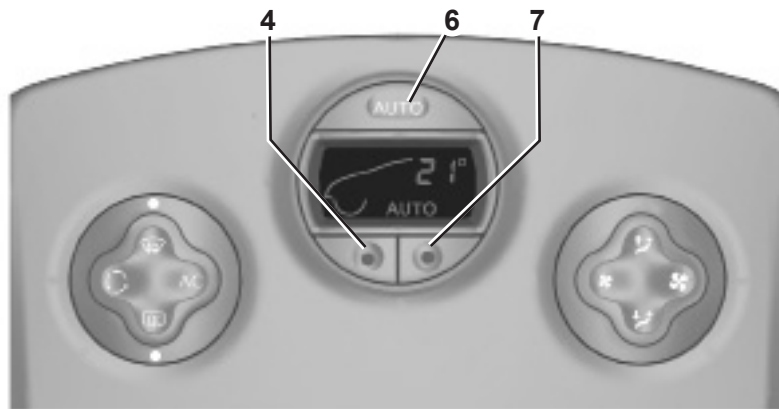
14 Air recirculation control.

Information and advice on use: refer to information on “Air conditioning: information and advice on use”.

Buttons **1** and **12** are complemented by operating indicator lights (**2** and **13**):

- indicator light on, the function is switched on;
- indicator light off, the function is switched off.

AUTOMATIC CLIMATE CONTROL (2/8)



Ambient temperature : automatic mode

Press button 6.

Only the temperature and the AUTO symbol are displayed.

Functions managed in automatic mode are not displayed.

- press button 7 to increase the temperature;
- press button 4 to decrease the temperature.

Note: The maximum and minimum settings of 15°C and 27°C allow the system to produce a minimum or maximum temperature, whatever the ambient conditions.

The automatic heating and air conditioning system guarantees comfort in the passenger compartment and good visibility (except in the event of extreme conditions), while optimising consumption.

This is the recommended mode of use.

In automatic mode (AUTO indicator light on the display is lit), all heating and air conditioning functions are controlled by the system.

When you modify certain functions the AUTO indicator light goes out. Only the modified system function is not controlled by the system.

AUTOMATIC CLIMATE CONTROL (3/8)

Ambient temperature: automatic mode (continued)

Operation

To reach and keep the chosen comfort level and to maintain good visibility, the system controls:

- ventilation speed;
- air distribution;
- air recirculation management;
- air conditioning start/stop;
- the air temperature.

The displayed temperature values show a comfort level.

When starting the engine, increasing or decreasing the value displayed will not allow the comfort level to be reached any more quickly. The system will always optimise the temperature increase or decrease (the ventilation system does not start instantly at maximum speed: it gradually increases). This may take several minutes.

Generally speaking, unless there is a particular reason not to, the dashboard air vents should remain open.

Adjusting automatic mode

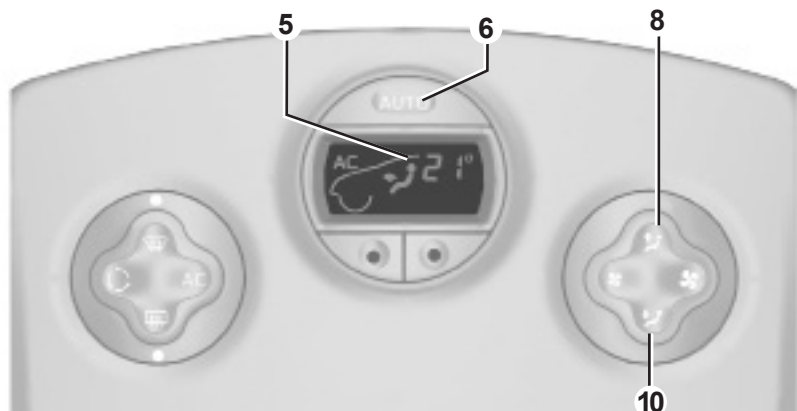
The automatic mode is the system's normal operating mode (AUTO light on) but you may alter the selections made by the system (air distribution, etc.).

These options are explained on the following pages.

This is the recommended mode of use: the automatic heating and air conditioning system guarantees comfort (except in the event of extreme conditions) in the passenger compartment and good visibility while optimising consumption.

Return to automatic mode as soon as possible.

AUTOMATIC CLIMATE CONTROL (4/8)



Distribution of air in the passenger compartment

There are five possible combinations for air distribution, which may be selected by pressing buttons **8** and **10** repeatedly. The arrows on display **5** indicate the setting selected:



All the air flow is directed to the demisting vents for the windscreen and the side windows.



The air flow is directed to the windscreen and side window demisting vents, and the passenger footwells.



All the air flow is directed to the dashboard vents.



The air flow is directed towards the dashboard vents and the footwells.



The air flow is directed mainly towards the footwells.

The manual air distribution option causes the **AUTO** (automatic mode) operating tell-tale light on the display **5** to go out, but only air distribution is no longer controlled automatically by the system.

Press button **6** to return to automatic mode.

AUTOMATIC CLIMATE CONTROL (5/8)

Varying the ventilation speed

In automatic mode, the system uses the most suitable amount of air to reach and maintain the desired comfort level.

Automatic mode is switched off by pressing buttons **9** and **11**.

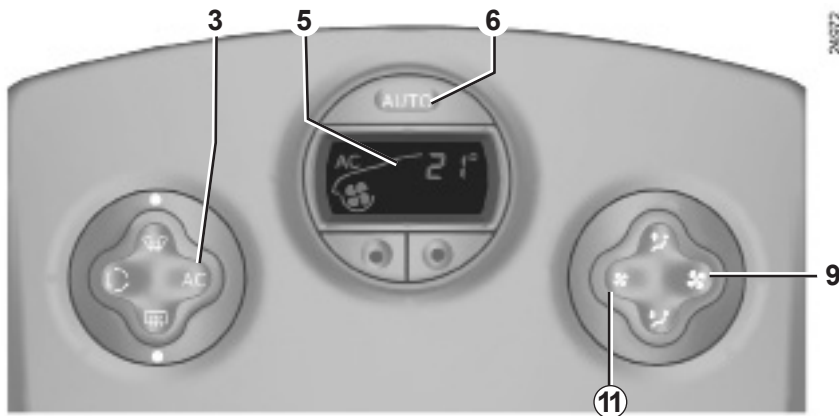
These buttons allow you to increase or decrease ventilation speed. If you set it to zero, the system switches off.

Switching air conditioning on or off

In automatic mode, the system switches the air conditioning system on or off, depending on the climate conditions.

Exit automatic mode by pressing button **3**: the AUTO warning light on display **5** goes out.

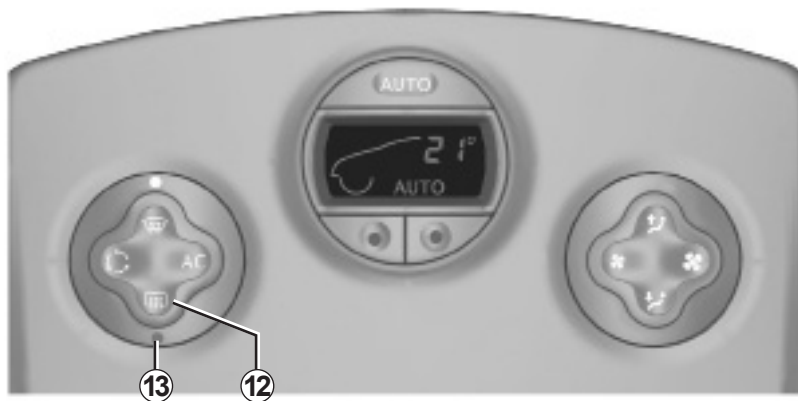
Button **3** activates (display warning light comes on) or stops (warning light goes out) the air conditioning function.



Note: the Clear View function automatically activates the air conditioning system (indicator light on). Press button **6** to return to automatic mode.

In automatic mode, in cold weather, the ventilation will not start immediately at maximum power but will increase progressively until the engine temperature is warm enough to heat the passenger compartment air. This may take from a few seconds to several minutes.

AUTOMATIC CLIMATE CONTROL (6/8)



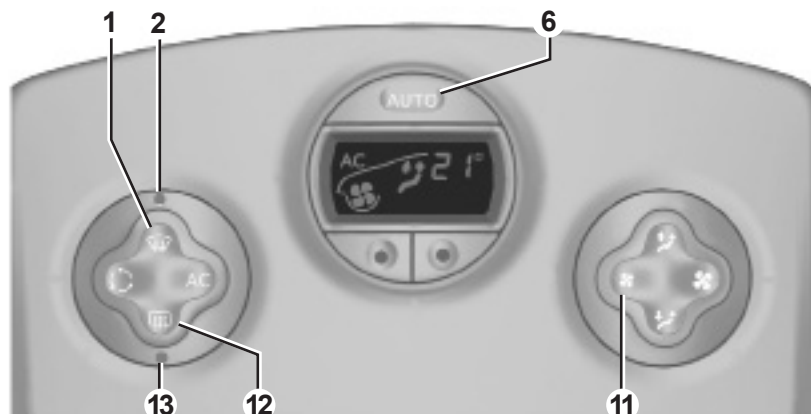
Rear Screen De-icing / Demisting

With the engine running, press button **12**. The operating tell-tale **13** comes on.

This function permits rapid demisting/ de-icing of the rear screen and de-icing of the door mirrors (on equipped vehicles).

To exit this function, press button **12** again. Demisting automatically stops by default.

AUTOMATIC CLIMATE CONTROL (7/8)



Clear View function

With the engine running, press button **1**, and operating tell-tale **2** comes on.

The AUTO button indicator light (on the display) goes out.

This function rapidly demists/de-ices the windscreen, the front side windows and the door mirrors (depending on the vehicle).

It imposes automatic operation of the air conditioning and heating of the rear screen (warning light **13**), and inhibits air recirculation.

Press button **12** if you do not want the heated rear screen to be activated. Warning light **13** will go out.

Note: if you wish to reduce the air flow (which may produce a certain amount of noise in the passenger compartment), press button **11**.

To exit this function, press either:

- button **1** again;
- button **6** (the AUTO indicator light on the display will light up).

AUTOMATIC CLIMATE CONTROL (8/8)



Air recirculation mode

Pressing button **14** activates air recirculation (the symbol lights up on the display).

During recirculation, air is taken from the passenger compartment and is recycled, with no air being taken from outside the vehicle.

Air recirculation allows the external atmosphere to be cut off (when driving in polluted areas, etc.).

Prolonged use of the air recirculation mode may cause the windows to mist up or lead to odours, as the air is not renewed.

We therefore advise you to return to normal mode (external air) by pressing button **14** again as soon as the air recirculation function is no longer required, or return to automatic recirculation by pressing the AUTO button.

AIR CONDITIONING: information and advice on use

Fuel consumption

You will normally notice an increase in fuel consumption (especially when driving in town) when the air conditioning is operating. For vehicles fitted with manual air conditioning, switch off the system when it is not required.

Advice for reducing consumption and therefore helping to preserve the environment:

Drive with the air vents open and the windows closed.

If the vehicle has been parked in the sun, open the doors for a few moments to let the hot air escape before starting the engine.

Maintenance

Refer to the Maintenance Service Booklet for your vehicle for the inspection frequency.

Operating faults

As a general rule, contact your approved dealer in the event of an operating fault.

- **Reduction in de-icing, demisting or air conditioning performance.** This may be caused by the passenger compartment filter cartridge becoming clogged.
- **No cold air is being produced.** Check that the controls are set correctly and that the fuses are sound. Otherwise, switch off the system.

Notes

Presence of water under the vehicle. After prolonged use of the air conditioning system, it is normal for water to be present under the vehicle. This is caused by condensation.



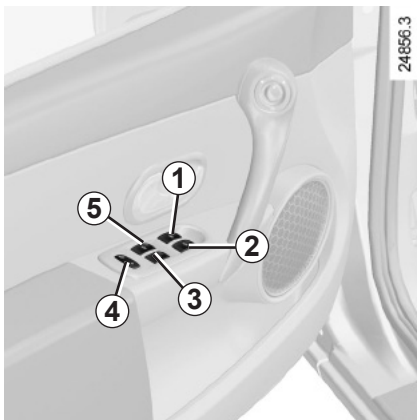
Do not add anything to the vehicle's ventilation circuit (for example, to remove bad odours).

There is a risk of damage or of fire.



Do not open the refrigerant fluid circuit. The fluid may damage eyes or skin.

ELECTRIC WINDOWS (1/3)



With the ignition on or, for vehicles with a RENAULT card, with the engine running

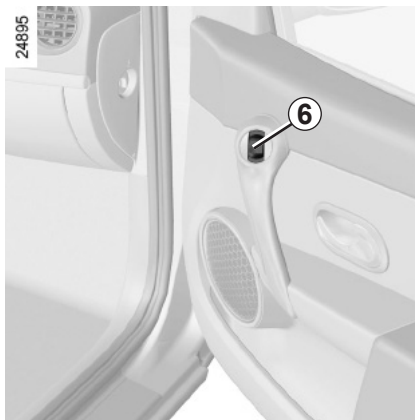
Press the relevant switch to lower the window to the desired height.

Lift the relevant switch to raise the window and release it when the window is at the desired height.

From the driver's seat

Operate the switches as follows:

- 1 for the driver's side;
- 2 for the front passenger's side;
- 3 and 5 for the rear passenger windows.



From the front passenger seat

Press switch 6.



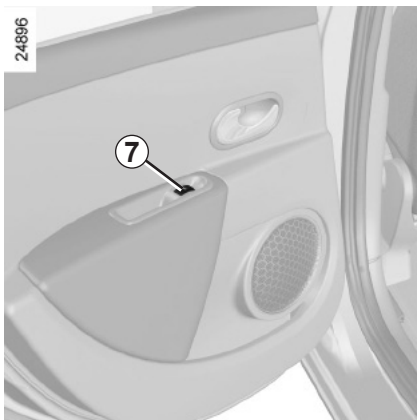
Safety of rear occupants

Depending on the vehicle, the driver can disable operation of the electric windows and the rear doors by pressing switch 4. The indicator light integrated in the switch lights up to confirm that the locks have been activated.

Driver's responsibility

Never leave your vehicle with the RENAULT card inside and never leave a child (or a pet) unsupervised, even for a short while. They may pose a risk to themselves or to others by starting the engine or activating equipment such as the electric windows or the sunroof. If any part of the body becomes trapped, reverse the direction of the window immediately by pressing the relevant switch. Risk of serious injury.

ELECTRIC WINDOWS (2/3)

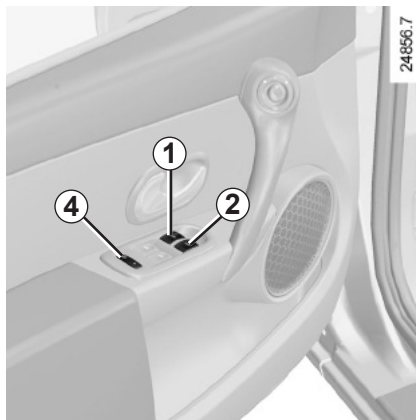


From the rear seats

Press switch **7**.

- Press the relevant switch to lower the window to the desired height.
- Lift the relevant switch to raise the window and release it when the window is at the desired height.

Avoid resting any objects against a half-open window: there is a risk that the electric window winder could be damaged.



One-touch mode

This is an additional function to the electric windows. If it is present on the vehicle, it is fitted to the driver's window or the two front windows.

Press switch **1** or **2**.

The electric window operates:

- with the ignition on or engine running;
- with the ignition off until a front door is opened/closed (vehicles with key) or until the driver's door is opened (vehicles with a RENAULT card).



Safety of rear occupants

Depending on the vehicle, the driver can disable operation of the electric windows and the rear doors by pressing switch **4**. The indicator light integrated in the switch lights up to confirm that the locks have been activated.

Driver's responsibility

Never leave your vehicle with the RENAULT card inside and never leave a child (or a pet) unsupervised, even for a short while. They may pose a risk to themselves or to others by starting the engine or activating equipment such as the electric windows or the sunroof. If any part of the body becomes trapped, reverse the direction of the window immediately by pressing the relevant switch. Risk of serious injury.

ELECTRIC WINDOWS (3/3)/MANUAL WINDOWS

One-touch mode

- **Briefly press** the relevant switch fully: the window is lowered completely.
- **Briefly lift** the relevant switch fully: the window is raised completely.

Pressing the switch again while the window is moving will stop its movement.

Special note

For your safety your vehicle is fitted with an anti-pinch facility. When a window encounters resistance whilst closing (someone's fingers, an animal's paw or the branch of a tree, for example), it stops and lowers by several centimetres.

Once the obstacle has been removed, briefly lift the switch again fully to close the window.



Closing windows can cause serious injury.

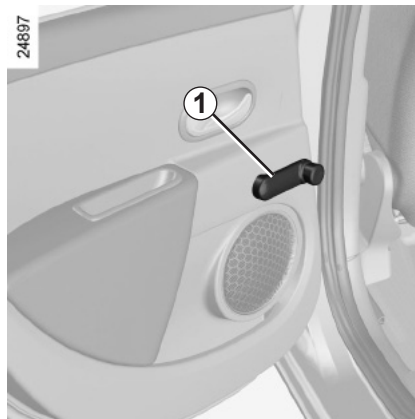
Normal mode

- **Press** the relevant switch to lower the window and release it when the window is at the required height.
- **Lift** the relevant switch to raise the window and release it when the window is at the required height.

Operating faults

If a window does not close, the system will change to normal mode: lift the relevant switch as many times as necessary to close the window, then release it. Press the switch again (still on the closing side) for one second to reset the system.

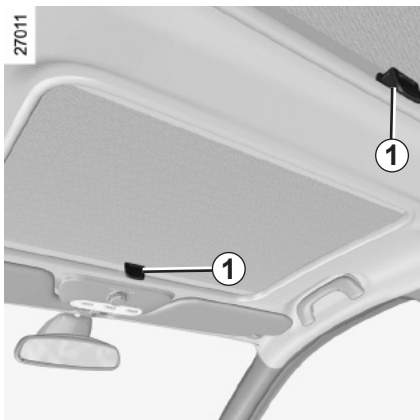
If necessary, contact an approved Dealer.



Manual window winder controls

Turn handle **1**.

ELECTRIC SUNROOF (1/2)

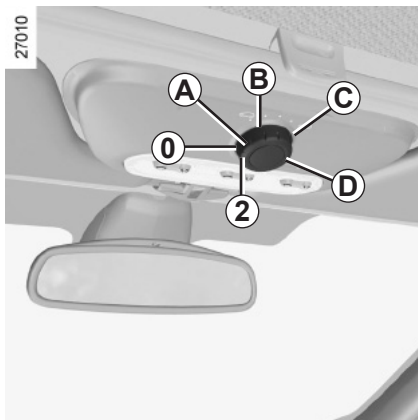


The system operates:

- with the ignition on;
- with the ignition off until the driver's door is opened/closed for the first time (limited to about 20 minutes).

Sun blind

- **to open:** push handle **1** upwards and hold the blind as it retracts;
- **to close:** pull handle **1** until the lock catches.



Tilting the sunroof

- **to open:** turn button **2** to position **A**;
- **to close:** turn button **2** to position **0**.

Sliding the sunroof

- **to open:** move button **2** to position **B**, **C** or **D**, depending on the opening position required;
- **to close:** turn button **2** to position **0**.

When parking in direct sunlight, we advise you to pull down the sun blinds.



Driver's responsibility

Never leave your vehicle with the RENAULT card or remote control inside and never leave a child (or a pet) unsupervised, even for a short while.

The reason for this is that the child may endanger himself or others by starting the vehicle, activating equipment such as the windows, or locking the doors.

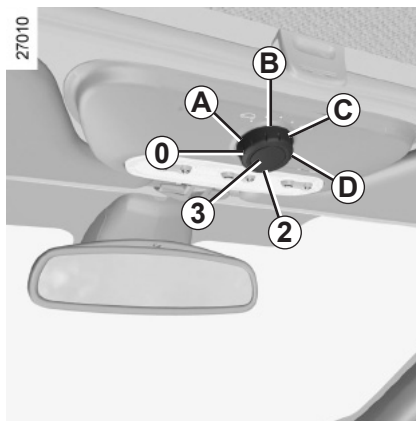
If a body part gets trapped, reverse the direction of travel as soon as possible by turning button **2** fully to the right (position **D**).

Risk of serious injury.

ELECTRIC SUNROOF (2/2)

Special note

For your safety your vehicle is fitted with an anti-pinch function. When a window encounters resistance whilst closing (someone's fingers, an animal's paw or the branch of a tree, for example), it stops and lowers by several centimetres.



Sunroof closing operating fault

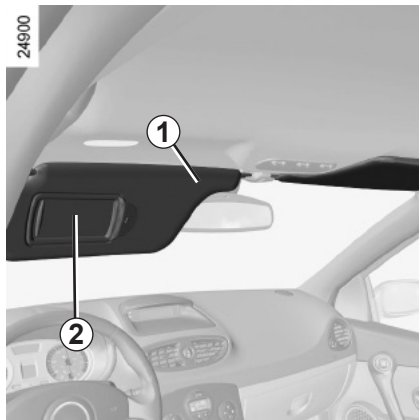
In this case, check that there are no obstructions, then turn button **2** to position **0**. Press button **3**, until the sunroof is completely closed.

Important: during this operation, the sunroof anti-pinch facility is deactivated. Contact your approved dealer as soon as possible.

Precautions during use

- **check** that the sunroof is properly closed before leaving your vehicle;
- **clean** the seal every three months using products recommended by our Technical Department;
- **do not open** the sunroof immediately after the vehicle has been in the rain or after your car has been washed.
- **vehicle with roof bars**
It is not advisable to operate the sunroof.
Before using the sunroof, check the objects and/or accessories (bike racks, roof boxes, etc.) attached to the roof bars: they should be properly arranged and secured and should not interfere with the operation of the sunroof.
Contact an approved Dealer for details of possible conversions.

SUN VISOR

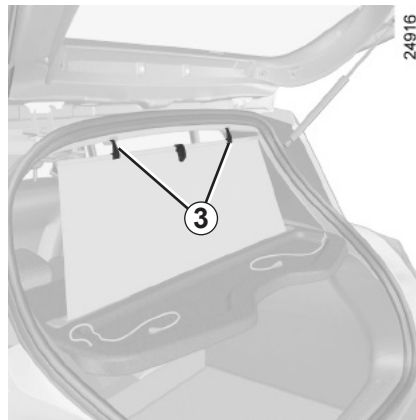


Front sun visor

Lower sun visor **1**.

Courtesy mirrors

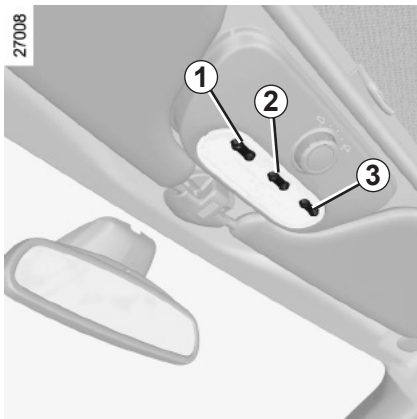
Slide cover **2**.



Rear sun blind

Pull the sun blind upwards using the tab until both hooks **3** lock into their housings (make sure the blind is properly locked in position).

INTERIOR LIGHTING



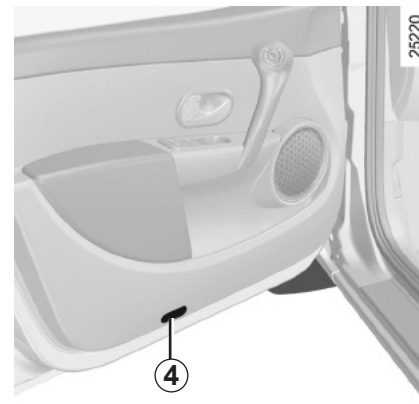
Courtesy light

Press switch **2** for:

- permanent lighting;
- intermittent lighting, which comes on when a door is opened. It only switches off after a time delay and when the doors concerned have been closed correctly;
- lighting switches off immediately.

Map reading lights (depending on vehicle)

Press switch **1** for the driver, **3** for the front passenger.



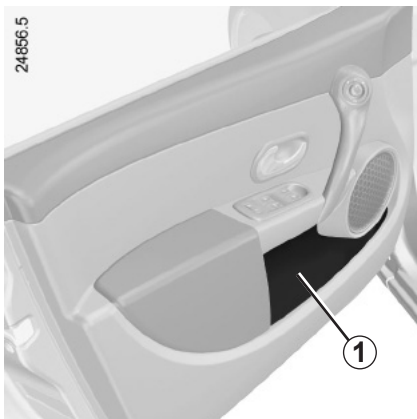
Driver and passenger underfloor storage compartment lights **4** (depending on vehicle)

Luggage compartment light (depending on vehicle)

It comes on when the tailgate or one of the doors is opened.

Unlocking and opening the doors or tailgate switches on the timed courtesy lights and lights.

PASSENGER COMPARTMENT STORAGE/FITTINGS (1/4)



Front door storage pockets 1

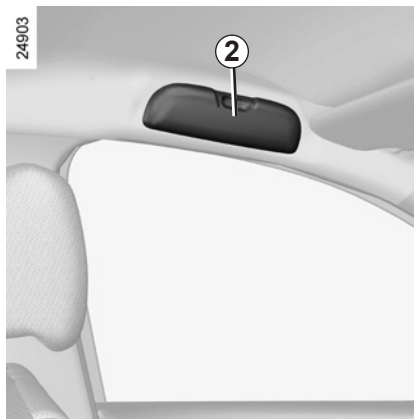
They can hold a 1.5 litre bottle.



Nothing should be placed on the floor area in front of the driver as such objects may slide under the pedal during braking manoeuvres, thus obstructing its use.

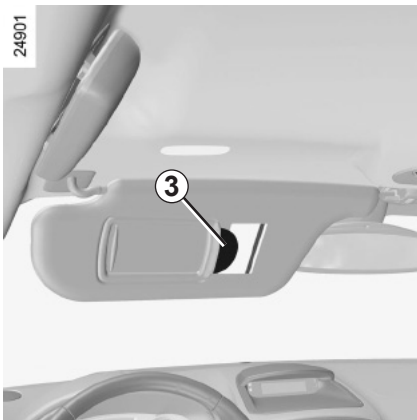


Ensure that no hard, heavy or pointed objects are placed in the “open” storage compartments in such a way that they may fall onto passengers during sudden turning, braking or in the event of an accident.



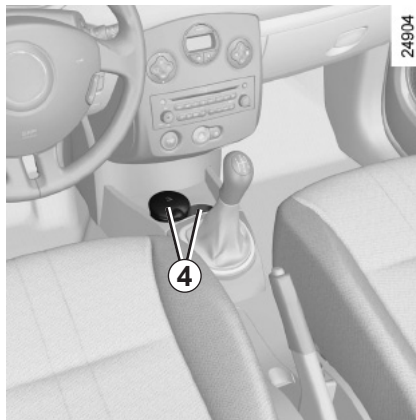
Sunglasses holder 2

PASSENGER COMPARTMENT STORAGE/FITTINGS (2/4)



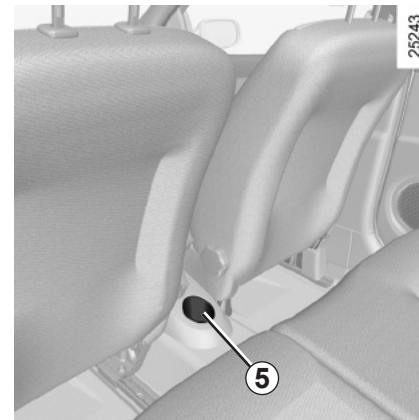
Clip 3

This can be used for storing motorway tickets, cards, etc.



Centre console storage compartment 4 or 5

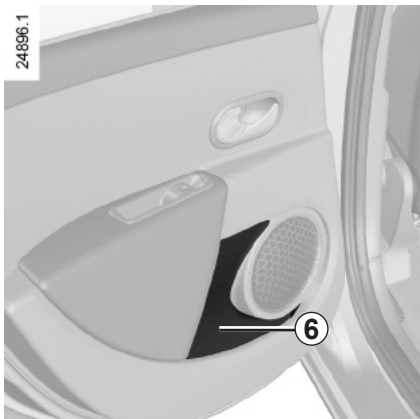
This can be used for storing a mobile ashtray, cup holder, etc.



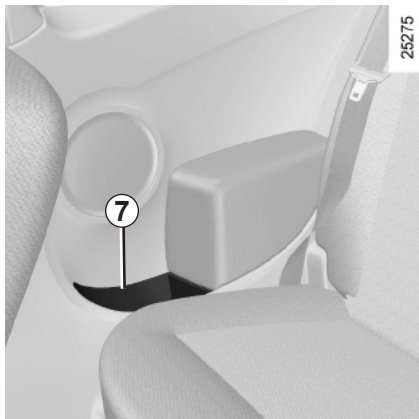
When turning corners, accelerating or braking, ensure that the receptacle being held by the cup holder is not dislodged.

There is a risk of injury if hot liquid escapes.

PASSENGER COMPARTMENT STORAGE/FITTINGS (3/4)



Rear door storage compartment 6



Rear door storage compartment 7



Passenger storage compartment 8

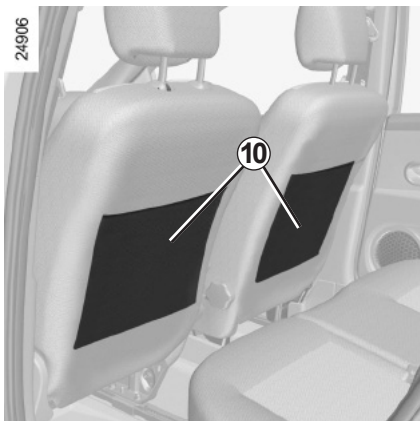
Pull handle **9** to open it.

Depending on the vehicle, this storage compartment is ventilated and air conditioned in the same way as the passenger compartment.

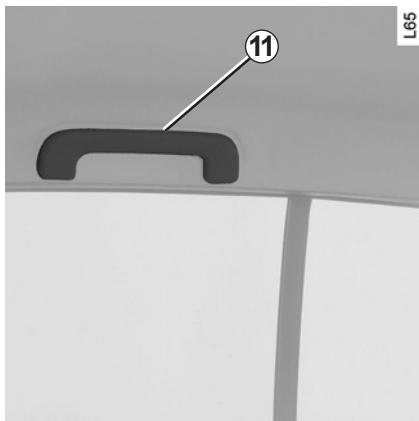


Ensure that no hard, heavy or pointed objects are placed in the "open" storage compartments in such a way that they may fall onto passengers during sudden turning, braking or in the event of an accident.

PASSENGER COMPARTMENT STORAGE/FITTINGS (4/4)



Front seat storage compartments 10



Grab handle 11

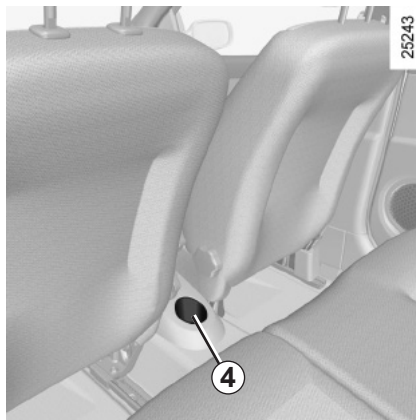
This offers support and can be held when the vehicle is being driven. Do not use it for getting into or out of the vehicle.

ASHTRAY/CIGAR LIGHTER



Ashtray 1

It can be housed in either position 2 or 4.



Cigar lighter 3

With the ignition on, push in the cigar lighter 3.

It will spring back with a click when it is ready. Pull it out to use. After use, replace it without pushing it all the way in.

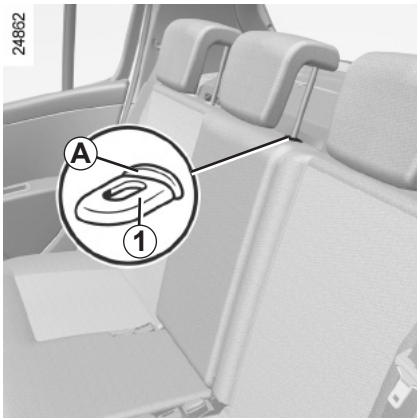
If your vehicle is not fitted with a cigar lighter and an ashtray, these can be obtained from an approved Dealer.



Connect accessories with a maximum power of 120 Watts only.

Fire hazard.

REAR HEAD RESTS



Positions for use

While pressing button **A** of lock **1**, lift the headrest fully to use it in the top position. Lower it until it locks to use it in the bottom position.

Storage position

Press button **A** and lower the headrest completely.

When the headrest is set at the lowest position, this is for storage only. It should not be in this position when a seat is occupied.

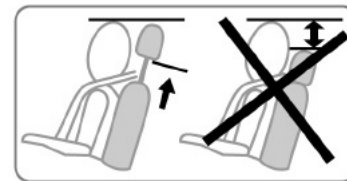


To remove the headrest

Press button **A** of lock **1** and remove the headrest.

To refit the headrest

Insert the rods into the holes, press the tabs on both rods and lower the headrest.



The headrest is a safety component; check that it is fitted and in the correct position. The top of the headrest should be as close as possible to the top of the head.

REAR BENCH SEAT: functions (1/2)



The seat base and the seatback may be folded down (one or both sections) to allow bulky objects to be carried.

Start by folding down the seat base, then the seatback.

To fold away the seat base (sport tourer version)

Lift up the front of the seat cushion **A** until it reaches the stop.

Where the bench seat is in one section, check that the two sides of the seat base are correctly locked.

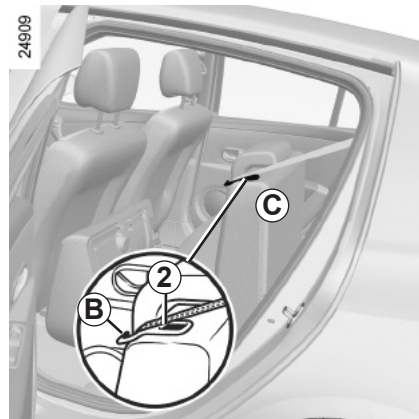


Then lift up the rear section of cushion **1** and tilt the seat base so that it is next to the front seats.



For safety reasons, carry out any adjustments when the vehicle is not being driven.

The configuration of the two seat bench with the small seatback **C** pulled down, does not allow the central seat to be used as it would be impossible to buckle the seat belt (belt buckles inaccessible).



To fold down the seatback

Remove the rear headrests (if fitted).

Ensure that the front seats are far enough forward.

Place the seat belts in their guides **B**.

Press button **2** and lower the seatback **C**.

Before moving the seatback, put the seat belt in belt guide **B** to avoid damaging it.

REAR BENCH SEAT: functions (2/2)



When moving the rear seats, ensure that nothing obstructs the anchorage points (passenger's arm or leg, a pet, gravel, cloth, toys, etc.).



When refitting the seatback, make sure it is correctly locked in place.
If seat covers are fitted, make sure these do not prevent the seatback latch from locking in. Make sure that the seat belts are positioned correctly. Reposition the headrests.



Sport tourer version

To replace the seatback, proceed in the reverse order to removal.

Refit the seatback and click it back into place.



To replace the seat base, proceed in the reverse order to removal.

Lift up the rear bench seat cushion in such a way so as to position the rear section of the seat base **1** under the seatback.

Then push the front **3** of the cushion **A** in order to lock the seat base.

BOOT/REAR PARCEL SHELF

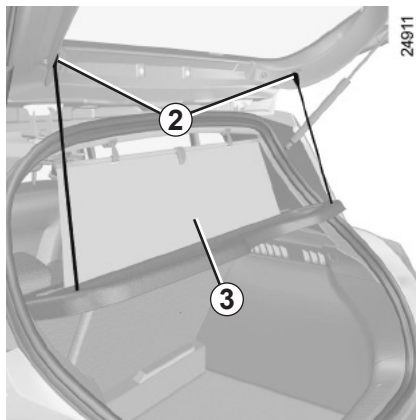


To open

Press button **1** and lift the tailgate.

To close

Lower the boot lid.



Rear parcel shelf

To remove:

- unhook both straps **2**;
- unhook sun visor **3** (depending on vehicle);
- detach the flexible section attached to the rear bench seatback (depending on vehicle);
- lift the parcel shelf then unclip it upwards.

To refit, proceed in the reverse order to removal.

Maximum weight on rear parcel shelf: 25 kg, evenly distributed.



Do not place any objects, especially heavy or hard objects, on the parcel shelf.

These may pose a risk to the vehicle occupants if the driver has to brake suddenly or if the vehicle is involved in an accident.

LUGGAGE COMPARTMENT COVER: sport tourer versions



To remove the flexible section A of the luggage compartment cover 1

Using the handle 2, pull the flexible part gently A to release the pins from their mounting points located either side of the luggage compartment.

Guide the luggage cover onto the roller.



Removing the luggage compartment cover 1

Press button 3 and lift the right-hand side of the roller at the same time.

Then lift the left-hand side of the roller and remove it.

To refit the luggage cover, carry out this procedure in reverse.



Luggage compartment cover storage 1

Lift the mobile floor B.

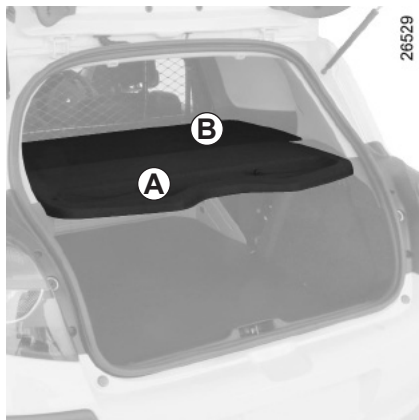
Store the luggage compartment cover by inserting it, one side at a time.

Replace the mobile floor.



Do not place any objects, especially heavy or solid objects on the luggage compartment cover. These may pose a risk to the vehicle occupants if the driver has to brake suddenly or if the vehicle is involved in an accident.

LUGGAGE COMPARTMENT COVER: utility versions

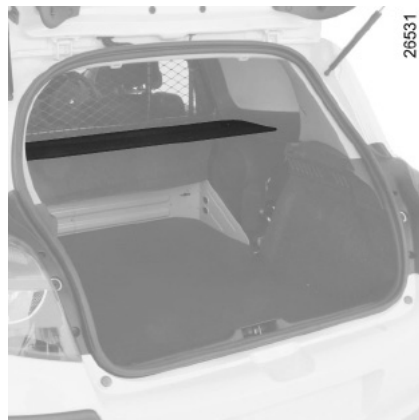


The luggage compartment cover consists of a rigid section **A** and a folding section **B**.

The luggage cover is in the unfolded position.



Do not place any objects, especially heavy or solid objects on the luggage compartment cover. These may pose a risk to the vehicle occupants if the driver has to brake suddenly or if the vehicle is involved in an accident.



The luggage compartment cover is in the folded position.

To fold it:

- lift shelf **A** slightly and pull it towards you to remove;
- then fold section **B** back on itself.

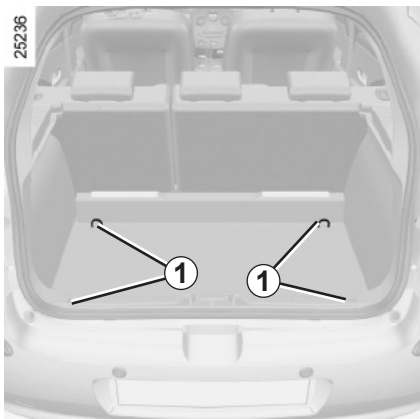


The luggage compartment cover is removed.

To remove it: with the cover in the folded position and holding it **horizontally**:

- pull one side of the luggage compartment cover towards you, pivoting it slightly;
- then pull the other side of the luggage compartment cover to completely detach it from its housing.

LUGGAGE COMPARTMENT STORAGE (1/2)



Locations for anchorage rings 1

Useful for securing objects transported in the luggage compartment. See the information on “Transporting objects in the luggage compartment”.

Depending on the vehicle, a net for retaining luggage on the floor, located in the storage compartment under the passenger seat, may be attached to these hooks.



Sport tourer versions

On equipped vehicles, remove the mobile floor to access the rings (refer to the information on “mobile floor”).

Always position objects being transported so that the heaviest items are resting against the back of the rear bench seat.

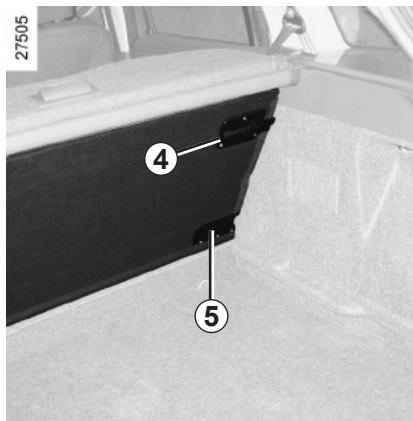
LUGGAGE COMPARTMENT STORAGE (2/2)



Mobile floor

When fitted to the vehicle, it can be used to make loading easier.

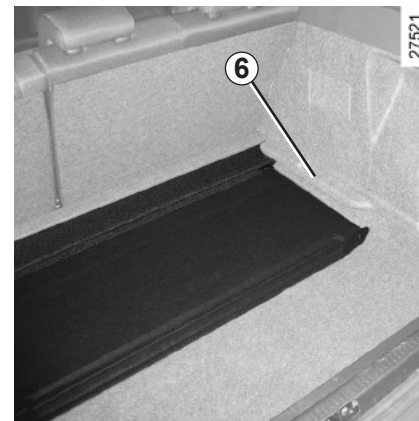
The mobile floor can be stored in two ways.



First storage

- Lift section 3 and fold it against section 2;
- lift the assembly and position it against the rear bench seat;
- push catch 4 to lock the mobile floor in the folded position.

Note: open flap 5 to access the ISOFIX ring and the net ring at the back of the luggage compartment.



Second storage

- Lift section 3 and fold it against section 2;
- remove the assembly;
- position it in the luggage compartment, using the runners 6 as guides.

Maximum weight for the mobile floor: 100 kg evenly distributed.

TRANSPORTING OBJECTS IN THE LUGGAGE COMPARTMENT

Always position the objects transported so that the largest surface is against:

- The rear bench seatback for normal loads (example **A**).
- The front seatbacks with the rear seatbacks folded down, as is the case for maximum loads in the saloon version (example **B**).
- The front seatbacks with the rear bench seat folded down, as is the case for maximum loads in the sport tourer version (example **C**).



If you have to place objects on the folded seatback, with the bench seat in the 3-seater position, remove the front headrests before folding the seatback so that it can be folded as flat as possible against the seat base.



Always position the heaviest items directly on the floor. Use the lashing points on the floor of the luggage compartment, if these are fitted to the vehicle. The luggage should be loaded in such a way that no items will be thrown forward and strike the occupants if the driver has to brake suddenly. Fasten the rear seat belts, even if the seats are not occupied.

LUGGAGE NET (1/2)



Luggage net A

On equipped vehicles, this can be used when transporting animals or luggage, to separate them from the passenger section.

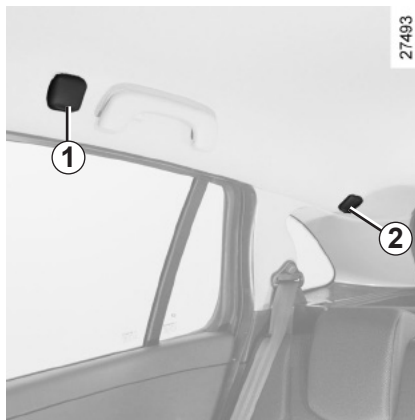
It can be positioned:

- behind the front seats;
- behind the rear bench seat.



The luggage net is designed to retain a maximum weight of 10 kg.

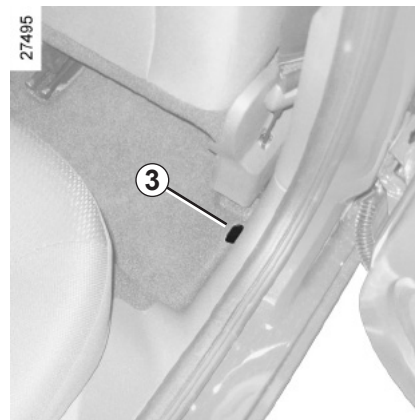
Risk of injury.



Fitting the luggage net behind the front seats

Inside the vehicle on each side:

- lift the cover **1** to access the upper mounting ring of the net;
- fix the net strap hook onto the ring;

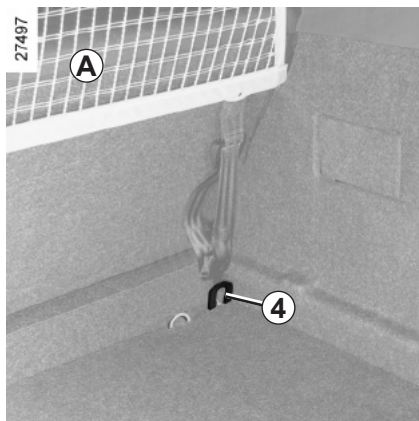


- move the cut-out in the carpet to access lower mounting **3** for the net;
- once you have accessed the lower mounting, attach the hook of the net strap to the ring **3**;
- adjust the net strap so that it is taut.



Do not install the luggage net in this position when a passenger is occupying a rear seat

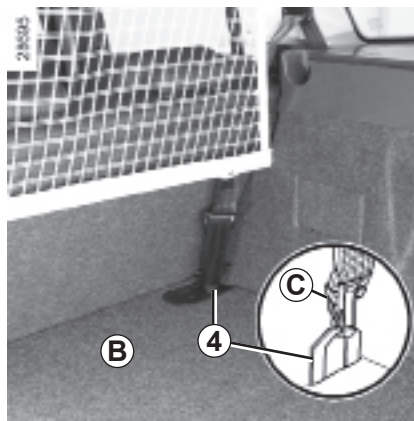
LUGGAGE NET (2/2)



Fitting the luggage net A behind the rear bench seat

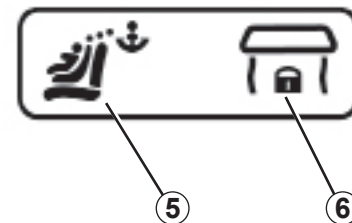
Inside the vehicle on each side:

- lift the cover 2 to access the upper mounting ring of the net;
- fix the net strap hook onto the ring;



- in the luggage compartment, it is **essential** to fit the lower mounting strap hook on the net to the anchoring hook 4 identified by the marking 6 (depending on vehicle, located under mobile floor B);
- adjust the net strap so that it is taut.

To remove, loosen the straps, press hook C, keeping it vertical in the ring shaft to facilitate removal.



Marking

A marking on the luggage retaining trim indicates the location of the ISOFIX seat rings 5 and luggage net 6.

A marking on the mobile floor indicates the location of the access flaps of ISOFIX seat strap 5 and luggage net 6.

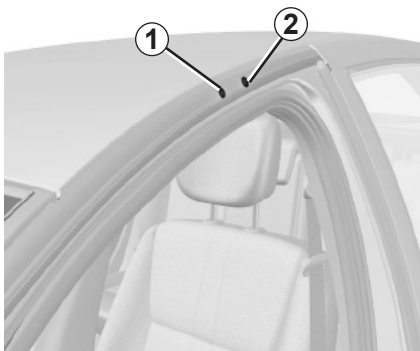


The luggage net is designed to retain a maximum weight of 10 kg.

Risk of injury.

ROOF BARS (1/2)

24912



Access to mounting points for five-door versions

Open the doors. Behind seal **2** are blanking bolts **1** which protect the mounting bolt locations.



Never remove blanking bolts **1** without plugging the holes afterwards.

When fitting roof bars, replace the blanking bolts with the mounting bolts supplied with the roof bars.



If original roof bars, approved by our Technical Department, are supplied with screws, only use these screws for attaching the roof bars to the vehicle.

Sport tourer versions

The roof bars are fixed and should not be removed. To change them contact an approved Dealer.

For information on the range of equipment adapted to your vehicle, we advise you to consult an approved Dealer.

Refer to the manufacturer's instructions for information on how to fit and use the roof rack bar.

Please keep these instructions with the rest of the vehicle documentation.

Maximum permissible load on roof rack: 80 kg (including the carrying device).

ROOF BARS (2/2)/SPOILER

25234



Access to rear mounting points for three-door versions

Turn each flap **3** upwards and remove the blanking cover.

When removing the roof bars, remember to replace the blanking covers.

Precautions during use

Handling the tailgate

Before handling the tailgate, check the objects and/or accessories (bike rack, roof box, etc.) fitted to the roof bars: these must be correctly positioned and secured, so as not to hinder the operation of the tailgate.

For information on the range of equipment adapted to your vehicle, we advise you to consult an approved Dealer.

Refer to the manufacturer's instructions for information on how to fit and use the roof rack bar.

Please keep these instructions with the rest of the vehicle documentation.

Maximum permissible load on roof rack: 80 kg (including the carrying device).

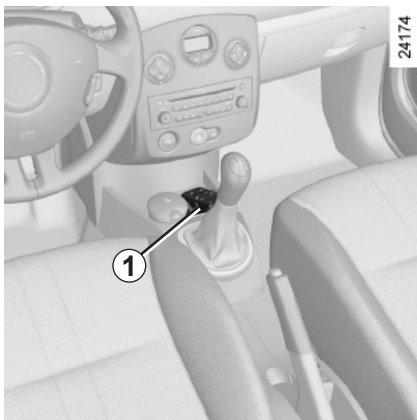
26428



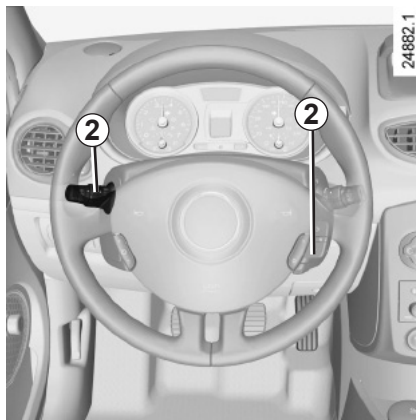
Vehicles fitted with a spoiler

It is **forbidden** to attach objects and/or accessories (bike rack, etc.) to spoiler **A**.

HANDS-FREE TELEPHONE INTEGRATED CONTROL



Telephone holder 1



Steering wheel controls 2



Position for microphone 3

As each telephone has its own technical specifications, **it is essential** to select the correct holder for the vehicle. Contact an approved Dealer.



Using the telephone

We remind you of the need to conform to the legislation in force concerning the use of such equipment.

Refer to the relevant instructions for information on how to operate this equipment.

Please keep these instructions with the rest of the vehicle documentation.

Section 4: Maintenance

Bonnet	4.2
Engine oil level: general information	4.4
Engine oil level: topping up, filling	4.6
Levels	4.8
engine coolant	4.8
brake fluid.	4.9
windscreen washer/headlight washer reservoirs	4.10
Filters.	4.10
Tyre pressure.	4.11
Battery	4.12
Bodywork maintenance	4.13
Interior trim maintenance.	4.15

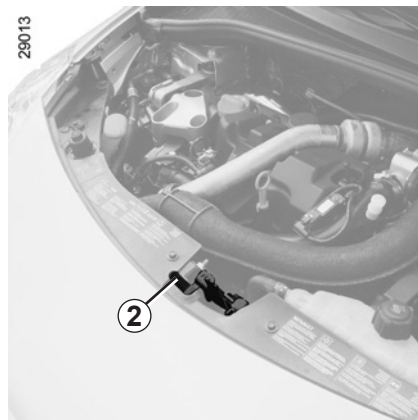
BONNET (1/2)



To open the bonnet, pull the handle 1.



The engine may be hot when carrying out operations in close proximity. In addition, the engine cooling fan can come on at any moment. Risk of injury.

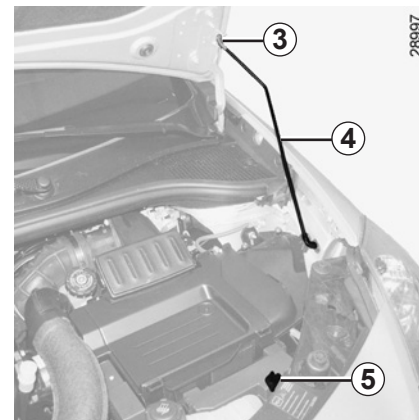


Unlocking the bonnet catch

To open, push tab 2 to the left as you open the bonnet.

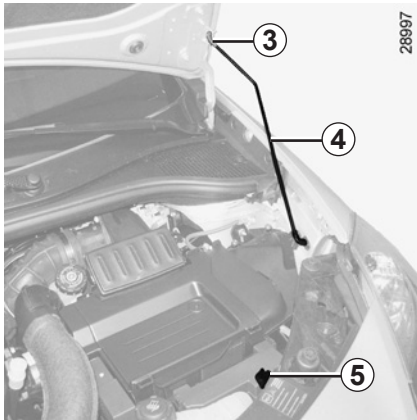
Opening the bonnet

Lift the bonnet and release stay 4 from its holder 5. For your own safety, it is **very important** to fix the stay into retainer 3 in the bonnet.



In the event of even a slight impact involving the radiator grille or bonnet, have the bonnet lock checked by an approved dealer as soon as possible.

BONNET (2/2)



Closing the bonnet

Before closing the bonnet, make sure that nothing has been left in the engine compartment.

To close the bonnet, replace stay **4** in holder **5**. Hold the middle of the bonnet and guide it down to one foot (30 cm) above the closed position, then release. It will latch automatically under its own weight.



Ensure that the bonnet is properly locked. Check that nothing is preventing the catch from locking (gravel, cloth, etc.).



After carrying out any work in the engine compartment, check that nothing has been left behind (cloth, tools, etc.). These may damage the engine or cause a fire.

ENGINE OIL LEVEL: general information (1/2)

It is normal for an engine to use oil for lubrication and cooling of moving parts and it is normal to top up the level between oil changes.

However, contact your approved Dealer if more than 0.5 litres is being consumed every 600 miles (1,000 km) after the running in period.


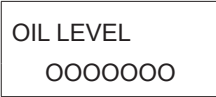
Check the oil level at regular intervals and before any long journey to avoid the risk of damaging your engine.

Reading the oil level

The oil level should be read with the vehicle on level ground, after the engine has been switched off for some time.

The dipstick must be used to read the exact oil level and make sure that the maximum level has not been exceeded (risk of engine damage). Refer to the following pages.

The instrument panel display only alerts the driver when the oil level is at its minimum.


Variant 1	Variant 2	Interpretation of messages
 The message "oil" is displayed, alternating with dashes	 No display	Message 1 "Oil level OK" Message 2 "Adjust oil level"

Minimum oil level warning on instrument panel

When the ignition is switched on, **if the level is above the minimum level**, the message "oil ok" or "oil level correct" is shown on the display for approximately 15 seconds.

For more information, press the trip computer readout button: the message "oil level" will be shown on the display with squares which are replaced by dashes when the level drops.

To advance to trip computer reading, press the button again.

If the level is at minimum: depending on the vehicle, the message "top up oil level" or "oil" appears on the display, alternating with dashes and the  warning light on the instrument panel comes on: message 2.

It is vital to top up the oil as soon as possible.



The display only warns the driver if the oil level is at the minimum level. It does not inform the driver that the oil level has exceeded the maximum level as this can only be measured using a dipstick.

ENGINE OIL LEVEL: general information (2/2)

Reading the level using the dipstick

- take out the dipstick;
- wipe the dipstick using a clean, lint-free cloth;
- push the dipstick in as far as it will go;
- take out the dipstick again;
- read the level: it should never fall below minimum mark **A** or exceed maximum mark **B**.

Once the operation has been carried out, ensure that the dipstick is pushed in as far as it will go.

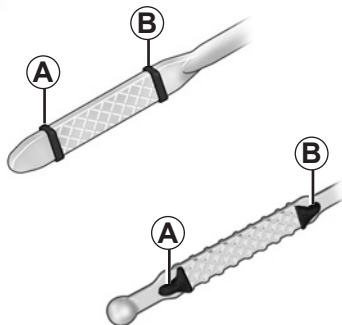
In order to prevent splashback, it is recommended that a funnel be used when topping up/filling with oil



When working in the engine compartment, ensure that the windscreen wiper stalk is in the park position.

Risk of injury.

29995



Maximum engine oil level exceeded.

The oil level should only be read with the dipstick as explained above.

If the oil level exceeds the maximum level, **do not start your vehicle** and contact an approved Dealer.

Consult your approved dealer at once if you notice an abnormal or repeated drop in any of the fluid levels.



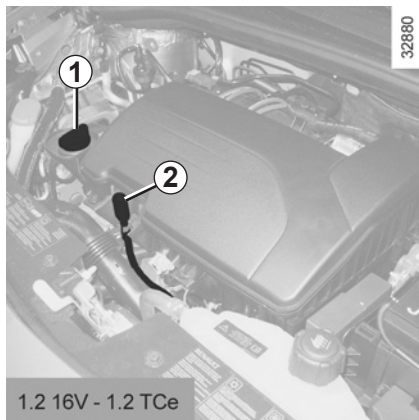
Under no circumstances should maximum filling level **B** be exceeded: this could damage the engine and the catalytic converter.



The engine may be hot when carrying out operations in close proximity. In addition, the engine cooling fan can come on at any moment.

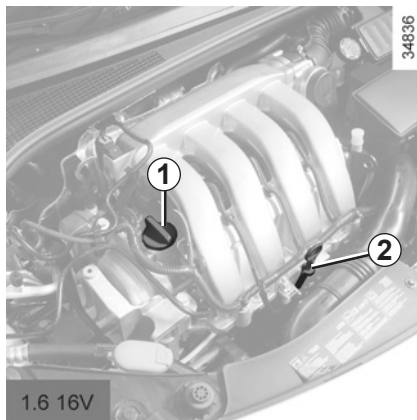
Risk of injury.

ENGINE OIL LEVEL: topping up/filling (1/2)



Topping up/filling

The vehicle must be parked on level ground and the engine should be cold (for instance, before the engine is started up for the first time in the day).



- Unscrew cap **1**;
- top up the level (as a guide, the capacity between the minimum and maximum reading on the dipstick **2** is between 1.5 and 2 litres, depending on the engine);
- wait for approximately 10 minutes to allow the oil to flow into the engine;
- check the level using the dipstick **2** (as described above).

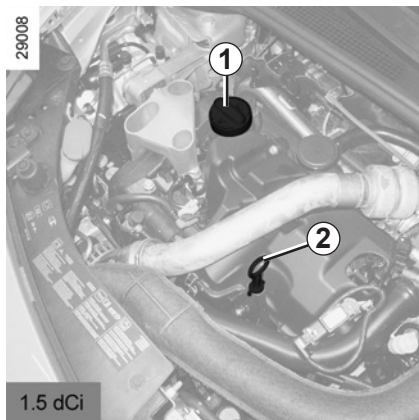
Once the operation has been completed, ensure that the dipstick is pushed in as far as it will go and that the cap is completely screwed in.

In order to prevent splashback, it is recommended that a funnel be used when topping up/filling with oil.

Do not exceed the **max** level and do not forget to refit cap **1** and dipstick **2**.

ENGINE OIL LEVEL: topping up/filling (2/2)

29008



Oil change

Service interval: refer to the Maintenance Service Booklet for your vehicle.

Average capacities for oil change including oil filter
(for information)

1.2 16V engine : 4.0 litres

1.2 TCE engine: 4.15 litres

1.6 16V engine : 4.7 litres

Engine 1.5 dCi : 4.5 litres

Engine oil grade

Refer to the Maintenance Service Booklet for your vehicle.

Consult your approved dealer at once if you notice an abnormal or repeated drop in any of the fluid levels.



When working in the engine compartment, ensure that the windscreen wiper stalk is in the park position.

Risk of injury.



The engine may be hot when carrying out operations in close proximity. In addition, the engine cooling fan can come on at any moment.

Risk of injury.



Filling: take care when topping up the oil that no oil drips onto engine components - risk of fire. Remember to refit the cap securely as there is a risk of fire if oil splashes onto hot engine components.

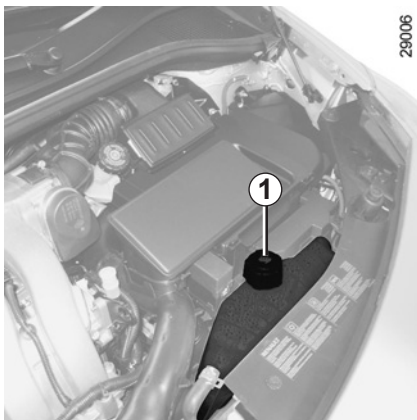


Never run the engine in an enclosed space as exhaust gases are poisonous.



Engine oil change: if you are changing the oil when the engine is hot, be careful not to scald yourself if the oil overflows.

LEVELS (1/3)



Coolant level

With the engine switched off and on level ground, the level **when cold** must be between the MINI and MAXI marks on reservoir **1**.

Top this level up **when cold** before it reaches the MINI mark.



When working in the engine compartment, ensure that the windscreen wiper stalk is in the park position.

Risk of injury.



No operations should be carried out on the cooling circuit when the engine is hot.

Risk of burns.

Frequency of checking coolant level

Check the coolant level regularly (very severe damage is likely to be caused to the engine if it runs out of coolant).

If the level needs to be topped up, only use products approved by our Technical Department which ensure:

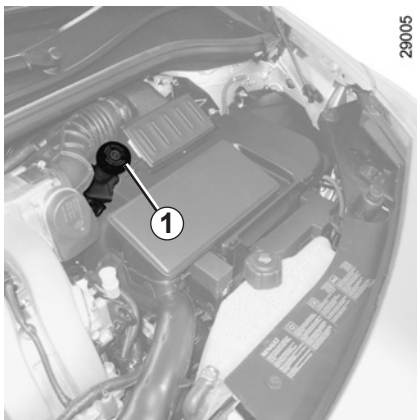
- protection against freezing;
- an anti-corrosion protection for the cooling system.

Replacement interval

Refer to the Maintenance Service Booklet for your vehicle.

Consult your approved dealer at once if you notice an abnormal or repeated drop in any of the fluid levels.

LEVELS (2/3)



Brake fluid level

The level should be read with the engine switched off and on level ground.

This should be checked frequently, and immediately if you notice even the slightest loss in braking efficiency.



The engine may be hot when carrying out operations in close proximity. In addition, the engine cooling fan can come on at any moment.

Risk of injury.

Level 1

It is normal for the level to drop as the brake shoes become worn, but it must never drop lower than the "MINI" warning line.

If you wish to check the disc and drum wear yourself, you should obtain the document explaining the checking procedure from the manufacturer's network or web site.

Topping up

After any operation on the hydraulic circuit, a specialist must replace the brake fluid.

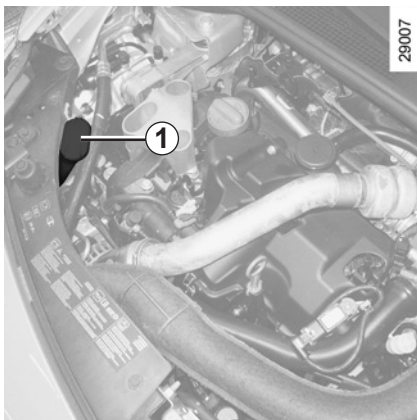
Only use fluids approved by our Technical Department (and taken from a sealed container).

Replacement interval

Refer to the Maintenance Service Booklet for your vehicle.

Consult your approved dealer at once if you notice an abnormal or repeated drop in any of the fluid levels.

LEVELS (3/3)/FILTERS



Windscreen/headlight washer reservoir

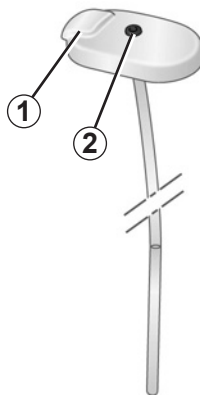
Topping up

With the engine switched off, open cap **1**. Fill until you can see the fluid, then replace the cap.

Liquid

Screen wash product (product with antifreeze in winter).

11094 M



Jets

Use a needle-type tool to adjust the angle of the windscreen washer jets.

NOTE

Depending on the vehicle, to find out the fluid level, use the “dropper-cap”. To do this, plug hole **2** (in the cap) and remove the cap.

Filters

The replacement of filter components (air filter, cabin filter, diesel filter, etc.) is scheduled in the maintenance operations for your vehicle.

Replacement intervals for filter elements: refer to the Maintenance Service Booklet for your vehicle.



When working in the engine compartment, ensure that the windscreen wiper stalk is in the park position.

Risk of injury.



The engine may be hot when carrying out operations in close proximity. In addition, the engine cooling fan can come on at any moment.

Risk of injury.

TYRE PRESSURE

29598



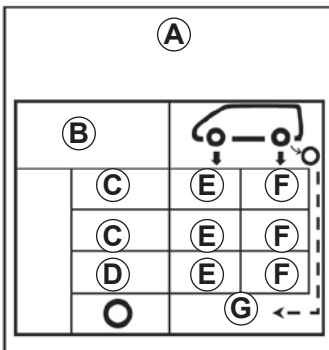
Label A

Open the door to read it.

Tyre pressures should be checked when the tyres are cold.

If the tyre pressures cannot be checked when the tyres are **cold**, increase the pressures from **0.2 to 0.3 bar** (or **3 PSI**). **Never deflate a hot tyre.**

B: dimension of the tyres fitted to the vehicle.



C: intended driving speed.

D: recommended pressure for optimising fuel consumption.

NB: driving comfort may be altered.

E: front tyre pressure.

F: rear tyre pressure.

G: tyre pressure for the emergency spare wheel.

Special note concerning fully laden vehicles (Maximum Permissible All-Up Weight) and towing a trailer: the maximum speed must be limited to **60 mph** (100 kph) and the tyre pressure increased by **0.2 bar**.

Please refer to the information on "Weights" in Section 6.

Tyre safety and use of snow chains:

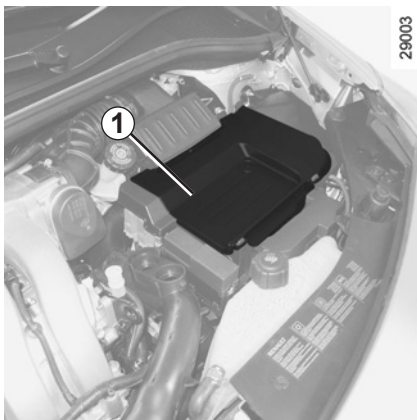
Refer to the information on "Tyres" in Section 5 for the servicing conditions and, depending on the version, the use of chains.



When they need to be replaced, only tyres of the same make, size, type and profile should be used on a single axle.

Tyres fitted to the vehicle should either be identical to those fitted originally or conform to those recommended by your approved dealer.

BATTERY



This is located under cover **1** and does not need to be serviced.



The engine may be hot when carrying out operations in close proximity. In addition, the engine cooling fan can come on at any moment.
Risk of injury.

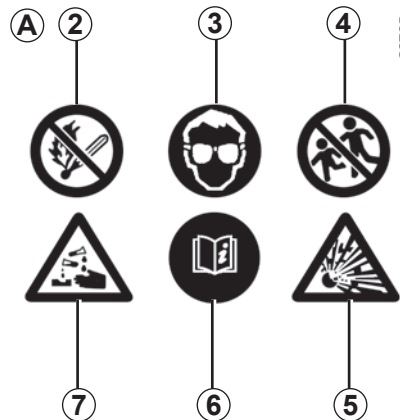


Handle the battery with care as it contains sulphuric acid, which must not come into contact with eyes or skin. If it does, wash the affected area with plenty of cold water. If necessary, consult a doctor.

Ensure that naked flames, red hot objects and sparks do not come into contact with the battery as there is a risk of explosion.

Replacing the battery

As this operation is complex, we advise you to contact an approved Dealer.



Label A

Observe the indications on the battery:

- **2** naked flames and smoking forbidden;
- **3** eye protection required;
- **4** keep away from children;
- **5** explosive materials;
- **6** refer to the handbook;
- **7** corrosive materials.



The battery is a **specific type**, please ensure it is replaced with the same type. Consult an approved dealer.

BODYWORK MAINTENANCE (1/2)

A well-maintained vehicle will last longer. It is therefore recommended to maintain the exterior of the vehicle regularly.

Your vehicle has been treated with very effective anti-corrosion products. It is nevertheless subject to various outside influences.

Corrosive agents in the atmosphere

- atmospheric pollution (built-up and industrial areas),
- saline atmospheres (near the sea, particularly in hot weather),
- seasonal and damp weather conditions (e.g. road salt in winter, water from road cleaners, etc.).

Minor impacts

Abrasive action

Dust and sand in the air, mud, road grit thrown up by other vehicles, etc.

You should take a number of minor precautions in order to safeguard your vehicle against such risks.

What you should not do

Do not degrease or clean mechanical components (e.g. the engine compartment), underneath the body, parts with hinges (e.g. inside the doors) and painted plastic external fittings (e.g. bumpers) using high-pressure cleaning equipment or by spraying on products not approved by our Technical Department. Doing this could give rise to corrosion or operational faults.

Wash the vehicle in bright sunlight or freezing temperatures.

Do not scrape off mud or dirt without pre-wetting.

Allow dirt to accumulate on the exterior.

Allow rust to form following minor impacts.

Do not use solvents not approved by our Technical Department to remove stains as this could damage the paintwork.

Do not drive in snow or muddy conditions without washing the vehicle, particularly under the wheel arches and body.

You should

Wash your car frequently, **with the engine off**, with cleaning products recommended by the manufacturer (never use abrasive products). Rinse thoroughly beforehand with a jet:

- spots of tree resin and industrial grime;
 - mud in the wheel arches and underneath the body which forms damp patches;
 - **bird droppings**, which cause a chemical reaction with the paint that **rapidly discolours paintwork and may even cause the paint to peel off**;
- wash the vehicle **immediately** to remove these marks since it is impossible to remove them by polishing;
- salt, particularly in the wheel arches and underneath the body after driving in areas where the roads have been gritted.

Remove any plant matter (resin, leaves, etc.) from the vehicle regularly.

BODYWORK MAINTENANCE (2/2)

Respect local regulations about washing vehicles (e.g. do not wash your vehicle on a public highway).

Observe the vehicle stopping distances when driving on gravelled surfaces to prevent paint damage.

Repair, or have repaired quickly, areas where the paint has been damaged, to prevent corrosion spreading.

Remember to visit the body shop periodically in order to maintain your anti-corrosion warranty. Refer to the Maintenance Document.

If it is necessary to clean mechanical components, hinges, etc., spray them with products approved by our Technical Department to protect them after they have been cleaned.

We have selected special products to care for your vehicle and you can obtain these from the manufacturer's accessory outlets.

Vehicles with a matte paint finish

This type of paint requires certain precautions.

Do not do the following

- use wax-based products (polishing);
- rub hard;
- wash the vehicle in a roller-type car wash;
- wash the vehicle using a high-pressure device;
- attach stickers to the paintwork (risk of leaving marks).

You should do the following

Wash the vehicle by hand using plenty of water, using a soft cloth or a gentle sponge.

Using a roller type car wash

Return the windscreen wiper stalk to the Park position (refer to the information on the “Windscreen washer, wiper” in Section 1). Check the mounting of external accessories, additional lights and mirrors, and ensure that the wiper blades are secured with adhesive tape. Remove the radio aerial mast if your vehicle is fitted with this equipment. Remember to remove the tape and refit the antenna after washing.

Cleaning the headlights

As the headlights are made of plastic “glass”, use a soft cloth or cotton wool to clean them. If this does not clean them properly, moisten the cloth with soapy water, then wipe clean with a soft damp cloth or cotton wool. Finally, carefully dry off with a soft dry cloth.

Cleaning products containing alcohol must not be used.

INTERIOR TRIM MAINTENANCE (1/2)

A well-maintained vehicle will last longer. It is therefore recommended to maintain the interior of the vehicle regularly.

A stain should always be dealt with swiftly.

Whatever type of stain is on the trim, use **cold** (or warm) **soapy water with natural soap**.

Detergents (washing-up liquid, powdered products, alcohol-based products) should not be used.

Use a soft cloth.

Rinse and soak up the excess.

Glass instrument panel

(e.g. instrument panel, clock, exterior temperature display, radio display, etc.)

Use a soft cloth (or cotton wool).

If this does not clean it properly, use a soft cloth (or cotton wool) slightly moistened with soapy water and then wipe clean with a soft damp cloth or cotton wool.

Finally, **carefully** dry off with a soft dry cloth.

Cleaning products containing alcohol must not be used under any circumstances.

Seat belts

These must be kept clean.

Use products selected by our Technical Department (Approved outlets) or warm, soapy water and a sponge and wipe with a dry cloth.

Detergents or dyes must not be used under any circumstances.

Textiles (seats, door trim, etc)

Vacuum-clean the textiles **regularly**.

Liquid stain

Use soapy water.

Dab lightly (never rub) with a soft cloth, rinse and remove the excess.

Solid or pasty stain

Carefully remove the excess solid or pasty material **immediately** with a spatula (working from the edges to the centre to avoid spreading the stain). Clean as for a liquid stain.

Special instructions for sweets or chewing gum

Put an ice cube on the stain to solidify it, then proceed as for a solid stain.

For further recommendations for maintaining the interior, and/or for any unsatisfactory results, please see an authorised dealer.

INTERIOR TRIM MAINTENANCE (2/2)

Removal/replacing removable equipment originally fitted in the vehicle

If you need to remove equipment in order to clean the passenger compartment (for example, mats), always ensure that they are correctly refitted and are the right way around (the driver's mat should be fitted on the driver's side, etc.) and fit them with the components supplied with the equipment (for example, the driver mat should always be fixed using the pre-fitted mounting components).

With the vehicle stationary, ensure that nothing will impede driving (anything obstructing the pedals, heel wedged by the mat, etc.).

You should not:

You are strongly advised not to position objects such as deodorants, scents, etc. near air vents, as this could damage your dashboard trim.



You are strongly recommended not to use high-pressure or spray cleaning equipment inside the passenger compartment: use of such equipment could impair the correct functioning of the electrical or electronic components in the vehicle, or have other detrimental effects.

Section 5: Practical advice

Puncture, emergency spare wheel	5.2
Tyre inflation kit	5.6
Tool kit	5.9
Wheel trims - wheel	5.10
Changing a wheel	5.11
Tyres (tyre and wheel safety, use in winter)	5.13
Headlights (changing bulbs)	5.16
Rear lights and side lights (changing bulbs)	5.20
Indicator lights (changing bulbs)	5.23
Interior lighting (changing bulbs)	5.24
Fuses	5.26
Battery	5.28
Radio frequency remote control unit: battery	5.32
RENAULT card: battery	5.33
Fitted audio equipment	5.34
Accessories	5.35
Wipers (replacing blades)	5.36
Towing	5.38
Operating faults	5.41

PUNCTURE, EMERGENCY SPARE WHEEL (1/4)

In case of puncture

Depending on the vehicle, a tyre inflation kit or emergency spare wheel is provided (refer to the following pages).

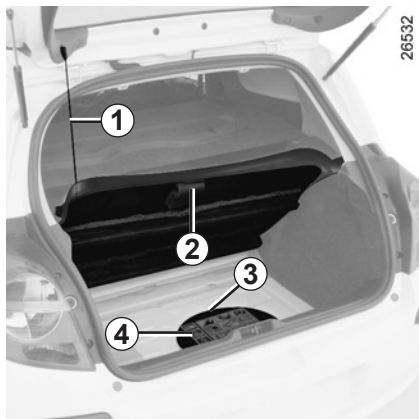


If the emergency spare wheel has been stored for several years, have it checked by your Dealer to ensure that it is safe to use.

Vehicle fitted with an emergency spare wheel that differs from the other wheels:

- Never fit more than one emergency spare wheel to the same vehicle.
- When this is fitted to the vehicle, which must only be a temporary measure, the driving speed must not exceed the speed indicated on the label on the wheel.
- Replace the emergency spare wheel as soon as possible with a wheel identical to the original one.
- Fitting an emergency spare wheel may alter the way the vehicle usually runs. Avoid sudden acceleration or deceleration and reduce your speed when cornering.
- Fitting the damaged wheel into the emergency spare wheel housing will reduce the vehicle's ground clearance: avoid driving over any obstacles.
- If you need to use snow chains, fit the emergency spare wheel to the rear axle and check the tyre pressure.

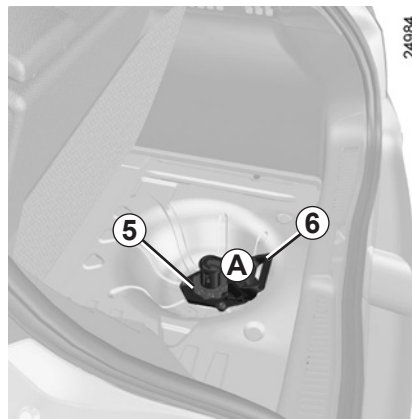
PUNCTURE, EMERGENCY SPARE WHEEL (2/4)



Emergency spare wheel

- Open the tailgate;
- lift up the carpet and, depending on the vehicle, the rigid section **2** that must be held up using a strap **1**;
- lift cover **3** then remove it;
- remove the tool kit by lifting it with the handles.

Label **4** reminds you of how to operate the emergency spare wheel winch.



- unscrew nut **5** in an anti-clockwise direction until it comes off **completely**, then place the palm of your hand on section **A** of handle **6** and push towards the front of the vehicle, the wheel will be lowered.



When you push handle **6**, the wheel will drop under the vehicle; risk of injury.

Ensure that everybody is kept away from the underside of the vehicle.



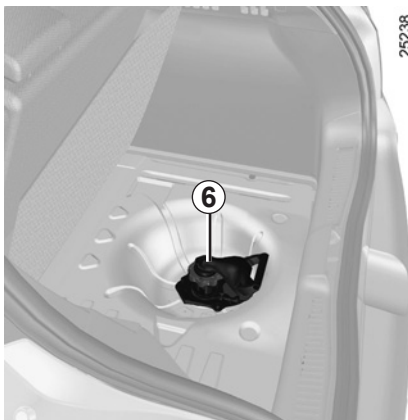
- pull the wheel towards you,
- lay the wheel down flat and unfasten cable **7** from its housing **8**.

You may remove the wheel from its support.



Do not touch the exhaust as it could burn.

PUNCTURE, EMERGENCY SPARE WHEEL (3/4)



To refit a wheel

To carry out this operation, the cable must be unwound.

If the cable has been wound back up on its own, unwind it again as follows:

- pull the handle to unwind the cable;
- press the button located under handle **6** to hold the unwound cable, then guide it down;
- recover the cable from underneath the vehicle.

You may refit the wheel.



After changing a wheel, position the replaced wheel on support **9**, with the valve facing the ground. Clip cable **7** in its housing **8** then push the wheel under the luggage compartment.

Ensure that tab **10** is positioned towards the rear of the vehicle.

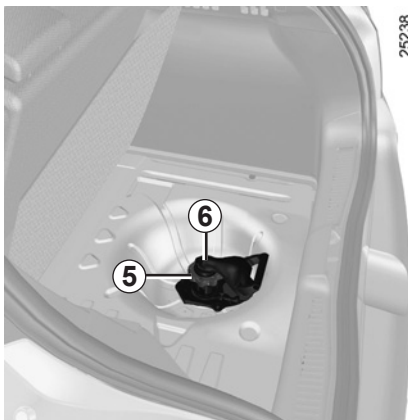


Make sure that no-one has their fingers close to the cable when you move the handle: risk of injury.



Position yourself behind the vehicle and pull handle **6** to raise the wheel until it is anchored under the vehicle.

PUNCTURE, EMERGENCY SPARE WHEEL (4/4)



To lock the system

- Press nut **5** screwing it on fully until it locks in place. Several turns will be necessary. This operation is essential to ensure that the wheel is secure;
- return handle **6** to its original position;
- clip the tool kit;
- replace the cover, then lower it and replace the luggage compartment carpet.

Note: if the tool kit does not lock in place, check the tightness of nut **5** and the correct positioning of the handle **6**.

Special features

The emergency spare wheel holder should always be present when you are driving even when the wheel itself is not present: risk of water entering the vehicle.

If you have to release it when it is not holding a wheel, push the centre of the wheel holder towards the ground while pressing handle **6**.



It is essential to lock the nut so that the wheel is held securely.



The system should only be used with the original vehicle wheels or identical wheels.

TYRE PRESSURE KIT (1/3)

32788



The kit repairs tyres when tread **A** has been damaged by objects smaller than 4 mm. It cannot repair all types of puncture, such as cuts larger than 4 mm, or cuts in tyre sidewall **B**.

Ensure also that the wheel rim is in good condition.

Do not pull out the foreign body causing the puncture if it is still in the tyre.



Do not attempt to use the inflation kit if the tyre has been damaged as a result of driving with a puncture.

You should therefore carefully check the condition of the tyre sidewalls before any operation.

Driving with underinflated, flat or punctured tyres can be dangerous and may make the tyre impossible to repair.

This repair is temporary

A tyre which has been punctured should always be inspected (and repaired, where possible) as soon as possible by a specialist.

When taking a tyre which has been repaired using this kit to be replaced, you must inform the specialist.

When driving, vibration may be felt due to the presence of the repair product injected into the tyre.



The kit is only approved for inflating the tyres of the vehicle originally equipped with the kit.

It must never be used to inflate the tyres of another vehicle, or any other inflatable object (rubber ring, rubber boat, etc.).

Avoid spillage on skin when handling the repair liquid bottle. If droplets do leak out, rinse them off with plenty of water.

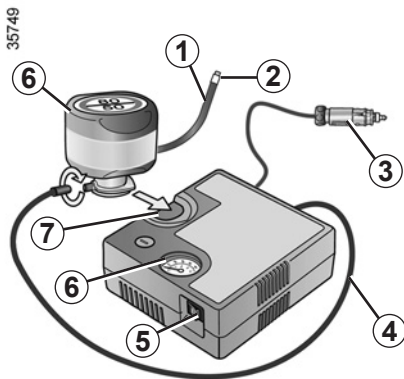
Keep the repair kit away from children.

Do not dispose of the empty bottle in the countryside. Return it to your approved dealer or to a recycling organisation.

The bottle has a limited service life which is indicated on its label. Check the expiry date.

Contact an approved dealer to replace the inflation tube and repair product bottle.

TYRE PRESSURE KIT (2/3)



Depending on the vehicle, in the event of a puncture, use the kit located underneath the luggage compartment carpet.



Before using this kit, park the vehicle at a sufficient distance from traffic, switch on the hazard warning lights, apply the handbrake, ask all passengers to leave the vehicle and keep them away from traffic.

With the engine running and the parking brake applied,

- unroll the hose from the container;
- connect the compressor hose **4** to the container inlet **6**;
- depending on the vehicle, connect the container **6** to the compressor from the container recess **7**;
- unscrew the valve cap on the relevant wheel and screw on the container's inflation adapter **2**;
- adapter **3** must be connected to the vehicle accessories socket;
- press switch **5** to inflate the tyre to the recommended pressure (please refer to the information on “Tyre pressure”);

- after a maximum of **15** minutes, stop inflating and read the pressure (on pressure gauge **6**).

NB: while the container is emptying (approximately 30 seconds), the pressure gauge **3** will briefly indicate a pressure of up to **6** bar. The pressure will then drop.

- adjust the pressure: to increase, continue inflation with the kit; to reduce, press button **1** located on the inflation adapter.

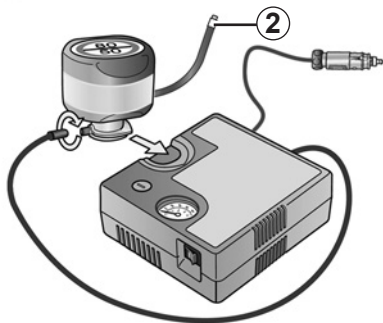
If a minimum pressure of 1.8 bar is not reached after 15 minutes, repair is not possible; do not drive the vehicle but contact an approved dealer.



If the vehicle is parked on the hard shoulder, you must warn other road users of your vehicle's presence with a warning triangle or with other devices as per the legislation applying to the country you are in.

TYRE PRESSURE KIT (3/3)

35749



Once the tyre is correctly inflated, remove the kit: slowly unscrew the inflation adapter **2** to prevent any repair product from escaping and store the container in plastic packaging to prevent the product from escaping.



Nothing should be placed around the driver's feet as such objects may slide under the pedals during sudden braking manoeuvres and obstruct their use.

- Affix the driving recommendation label to the dashboard where it can easily be seen by the driver;
- Put the kit away.
- At the end of this initial inflation operation, air will still escape from the tyre. You must drive a short distance in order to seal the hole.
- Start immediately and drive at between 12 and 40 mph (20 and 60 km/h) in order to distribute the product evenly in the tyre and, after driving for 2 miles (3 km), stop and check the pressure.
- If the pressure is greater than 1.3 bar but less than the recommended pressure (refer to the label affixed to the edge of the driver's door), readjust it. Otherwise, please contact an authorised dealer: the tyre cannot be repaired.

Precautions when using the kit

The kit should not be operated for more than 15 consecutive minutes.



Please be aware that a poorly tightened or missing valve cap can make the tyres less airtight and may lead to pressure loss.

Always use valve caps identical to those fitted originally and tighten them fully.



Following repair with the kit, do not travel further than 120 miles (200 km). In addition, reduce your speed and under no circumstances exceed 48 mph (80 km/h). The sticker, which you must affix in a prominent position on the dashboard, reminds you of this.
Depending on the country or local legislation, a tyre repaired with the inflation kit may need to be replaced.

TOOL KIT



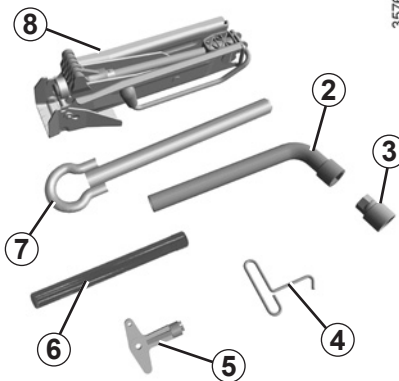
The tools included in the tool kit depend on the vehicle.

Tool kit **A** is located in the tray under the luggage compartment carpet.

Depending on the vehicle, lift the cover, then remove it.

Take out the tool kit, lifting it at both ends.

To return it, proceed in the reverse order to removal.



Storage compartment 1

(depending on vehicle)

This is for storing a lock nut.

Wheelbrace 2

This is used to tighten or release the wheel bolts.

End piece for special wheel bolt 3

Hubcap tool 4 or 5

This tool is used to remove the wheel trims.

Lever 6

This tightens or releases the tow eye 7.

Tow eye 7

Refer to the information on “Towing” in Section 5.

Jack 8

Remove jack 8.

To refit, lower the jack fully and unscrew it by one turn and pivot the base so that it can be stored.

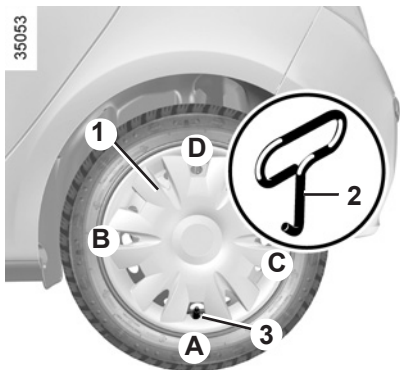


Do not leave the tools unsecured inside the vehicle as they may come loose under braking. After use, check that all the tools are correctly clipped into the tool kit, then position it correctly in its housing: there is a risk of injury.

If wheel bolts are supplied in the tool kit, only use these bolts for the emergency spare wheel: refer to the label affixed to the emergency spare wheel.

The jack is designed for wheel changing purposes only. Under no circumstances should it be used for carrying out repairs underneath the vehicle or to gain access to the underside of the vehicle.

WHEEL TRIMS - WHEEL



Hubcap (example hubcap 1)

Remove the wheel trim using hubcap tool 2 (located in the tool kit) by engaging the hook in the opening near valve 3.

To refit it, align it with valve 3. Push the retaining hooks in fully, starting with side A near the valve, followed by B and C, finishing at D opposite the valve.



Central wheel hubcap (example: hubcap 4)

To remove it, insert the hubcap tool 6 (located in the tool kit) into recess 5.

To refit it, position it in line with recess 5 and tighten it with tool 6.

We would advise you to note down the number engraved on the tool so that you can replace it if it is lost.

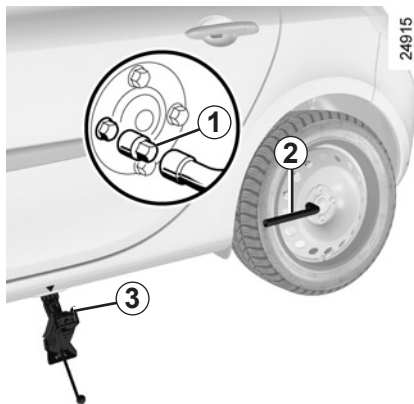


Do not leave the tools unsecured inside the vehicle as they may come loose under braking. After use, check that all the tools are correctly clipped into the tool kit, then position it correctly in its housing: there is a risk of injury.

If wheel bolts are supplied in the tool kit, only use these bolts for the emergency spare wheel: refer to the label affixed to the emergency spare wheel.

The jack is designed for wheel changing purposes only. Under no circumstances should it be used for carrying out repairs underneath the vehicle or to gain access to the underside of the vehicle.

CHANGING A WHEEL (1/2)

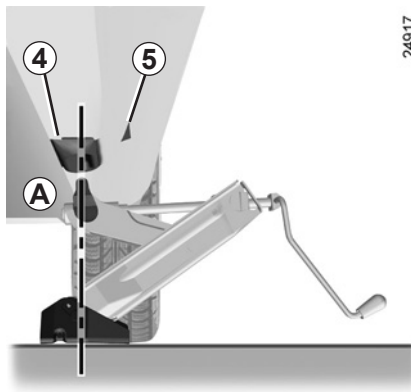


Switch on the hazard warning lights.

Keep the vehicle away from traffic and on a level surface where it will not slip (if necessary, place a solid support under the jack base).

Apply the hand brake and engage a gear (first or reverse, or **P** for automatic transmissions).

Ask all the passengers to leave the vehicle and keep them away from traffic.



Vehicles equipped with a jack and wheelbrace

If necessary, remove the wheel trim.

Depending on the vehicle, position adapter **1** on the wheel bolt.

Use the wheelbrace to slacken off the wheel bolts **2**. Position it so as to be able to push from above.

Crank up jack **3** by hand to position the jack head against jacking point **4** closest to the wheel concerned and, depending on the vehicle, marked by an arrow **5**.

Continue to crank the jack so that the baseplate is correctly positioned (it should be underneath the vehicle and aligned with jack head **A**).

Turn it a few times to lift the wheel off the ground.

If the vehicle is not equipped with a jack or wheelbrace, you can obtain these from your approved dealer.



To prevent any risk of injury or damage to the vehicle, only crank the jack until the wheel you are replacing is a maximum of 3 centimetres off the ground.

CHANGING A WHEEL (2/2)

Undo the bolts and take off the wheel.

Fit the emergency spare wheel on the central hub and turn it to locate the mounting holes in the wheel and the hub.

Tighten the bolts and lower the jack.

With the wheel on the ground, tighten the screws as fully as possible and check the tightness as soon as possible (tightening torque 110 N.m).



If you have a puncture, replace the wheel as soon as possible.

A tyre which has been punctured should always be inspected (and repaired, where possible) by a specialist.

Anti-theft bolt

If you use anti-theft bolts, fit these nearest the valve (otherwise it may not be possible to fit the wheel trim).



If the vehicle is parked on the hard shoulder, you must warn other road users of your vehicle's presence with a warning triangle or with other devices as per the legislation applying to the country you are in.

TYRES (1/3)

Tyre and wheel safety

The tyres are the only contact between the vehicle and the road, so it is essential to keep them in good condition.

You must make sure that your tyres conform to local road traffic regulations.



When they need to be replaced, only tyres of the same make, size, type and profile should be used.

Tyres fitted to the vehicle should either be identical to those fitted originally or conform to those recommended by your approved dealer.



Maintaining the tyres

The tyres must be in good condition and the tread form must have sufficient depth; tyres approved by our Technical Department have wear warning strips **1** which are **indicators moulded into the tread at several points**.

When the tyre tread has been worn to the level of the warning strips, **they become visible 2**: it is **then** necessary to replace your tyres because the tread rubber is now only **1.6 mm deep at most, resulting in poor road holding on wet roads**.

An overloaded vehicle, long journeys by motorway, particularly in very hot weather, or continual driving on poorly surfaced minor roads will lead to more rapid tyre wear and affect safety.



Incidents which occur when driving, such as striking the kerb, may damage the tyres and wheel rims, and could also lead to misalignment of the front or rear axle geometry. In this case, have the condition of these checked by an approved dealer.

TYRES (2/3)

Tyre pressures

Adhere to the tyre pressures (including the emergency spare wheel). The tyre pressures should be checked at least once a month and additionally before any long journey (refer to the label affixed to the edge of the driver's door).



Incorrect tyre pressures

lead to abnormal tyre wear and unusually hot running. These are factors which may seriously affect safety and lead to:

- poor road holding,
- risk of bursting or tread separation.

The pressure depends on the load and the speed of use. Adjust the pressure according to the conditions of use (refer to the label affixed to the edge of the driver's door).

Pressures should be checked when the tyres are cold; ignore higher pressures which may be reached in hot weather or following a fast journey.

If tyre pressures cannot be checked when the tyres are **cold**, assume an increase of **0.2 to 0.3 bar** (or **3 PSI**).

Never deflate a hot tyre.



Please be aware that a poorly tightened or missing valve cap can make the tyres less airtight and lead to pressure loss. Always use valve caps identical to the originals and screw them down fully.

Emergency spare wheel

Refer to the information on the “Emergency spare wheel” and instructions on “Changing a wheel” in Section 5.

Changing wheels around

This practice is not recommended.

Fitting new tyres



For safety reasons, this operation must be carried out by a specialist.

Fitting different tyres may change your vehicle as follows:

- it may mean that your vehicle no longer conforms to current regulations;
- it may change the way it handles when cornering;
- it may cause the steering to be heavy;
- it may affect the use of snow chains.

TYRES (3/3)

Use in winter

Chains

For safety reasons, fitting snow chains to the rear axle is strictly forbidden.

Chains cannot be fitted to tyres which are larger than those originally fitted to the vehicle.



Chains may only be fitted to tyres of the same size as those originally fitted to **your vehicle**.

Snow or Winter tyres

We would recommend that these be fitted to all **four wheels** to ensure that your vehicle retains maximum road holding.

Warning: These tyres sometimes have a specific direction of rotation and a maximum speed index which may be lower than the maximum speed of your vehicle.

In all cases, we would recommend that you contact an approved dealer who will be able to advise you on the choice of equipment which is most suitable for your vehicle.

Studded tyres

This type of equipment may only be used for a limited period and as laid down by local legislation.

It is necessary to observe the speed specified by current legislation.

These tyres must, at a minimum, be fitted to the two front wheels.



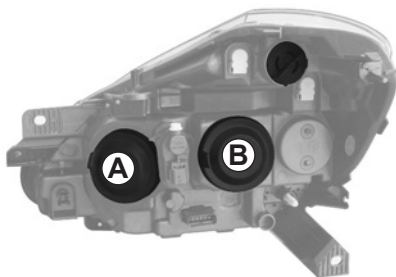
Special features of versions fitted with 165/65 R15 tyres

If you wish to fit studded tyres, you must use **special equipment**.

Consult an approved dealer.

HALOGEN HEADLIGHTS: changing bulbs (1/3)

29700



However, because parts need to be removed, **you are advised to have your bulbs replaced by an approved dealer.**

Vehicle without additional cornering lights

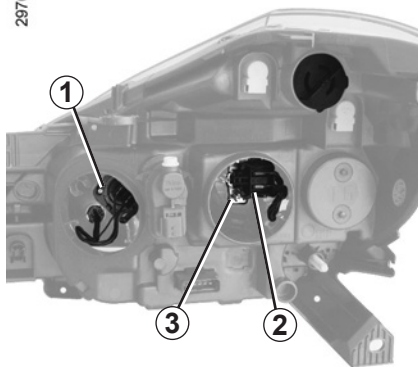
Dipped beam headlight

Remove cover **A**.

Tilt bulb holder **1** to release it and then replace the bulb.

Bulb type: H7

29701



Main beam headlight

Remove cover **B**.

Pull out connector **2** and pull the bulb holder **3** to replace the bulb.

Bulb type: H7



The bulbs are under pressure and can break when replaced.

Risk of injury.

It is **essential** to use anti-U.V. 55W bulbs so as not to damage the plastic on the headlights.

Do not touch the bulb glass. Hold it by its base.

Mark the bulb's position before removal to ensure correct positioning when replacing.

When the bulb has been changed, make sure you refit the cover correctly.

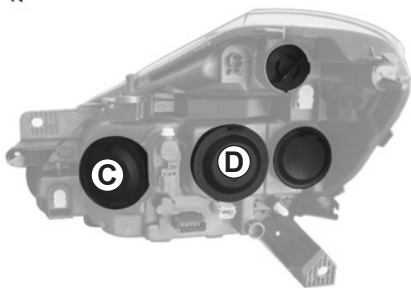


The engine may be hot when carrying out operations in close proximity. In addition, the engine cooling fan can come on at any moment.

Risk of injury.

HALOGEN HEADLIGHTS: changing bulbs (2/3)

29702



However, because parts need to be removed, **you are advised to have your bulbs replaced by an approved dealer.**

Vehicle with additional cornering lights

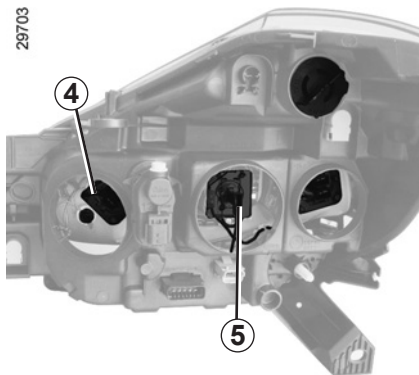
Dipped beam headlight

Remove cover **C**.

Tilt bulb holder **4** to release it and then replace the bulb.

Bulb type: H7

29703



Main beam headlight

Remove cover **D**.

Pull out connector **5**.

Unclip the spring and take out the bulb.

Bulb type: H7



The bulbs are under pressure and can break when replaced.

Risk of injury.

It is **essential** to use anti-U.V. 55W bulbs so as not to damage the plastic on the headlights.

Do not touch the bulb glass. Hold it by its base.

Mark the bulb's position before removal to ensure correct positioning when replacing.

When the bulb has been changed, make sure you refit the cover correctly.

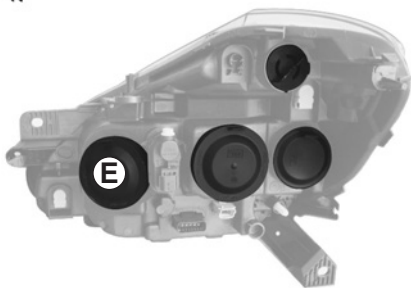


The engine may be hot when carrying out operations in close proximity. In addition, the engine cooling fan can come on at any moment.

Risk of injury.

HALOGEN HEADLIGHTS: changing bulbs (3/3)

29702



Front side light

Remove cover **E**, then pull bulb holder **6** to access the bulb.

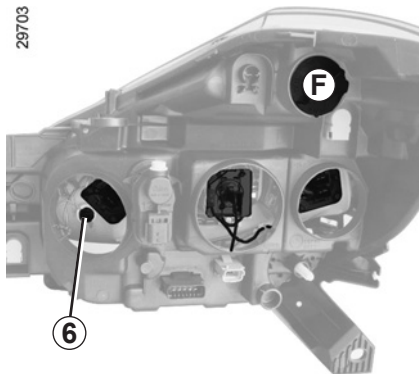
Bulb type: W5W.



The engine may be hot when carrying out operations in close proximity. In addition, the engine cooling fan can come on at any moment.

Risk of injury.

29703



Direction indicator lights

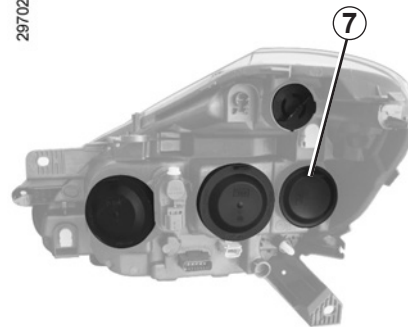
Turn bulb holder **F** a quarter of a turn and take out the bulb.

Bulb type: orange PY21 W.

Once the bulb has been replaced, check that it is properly secured.

To comply with local legislation, or as a precaution, you can obtain an emergency kit containing a set of spare bulbs and fuses from an approved dealer.

29702



Additional cornering light

Due to their reduced accessibility (sometimes requiring the removal of bodywork or mechanical components), we advise you to have your bulbs **7** replaced by an approved Dealer.

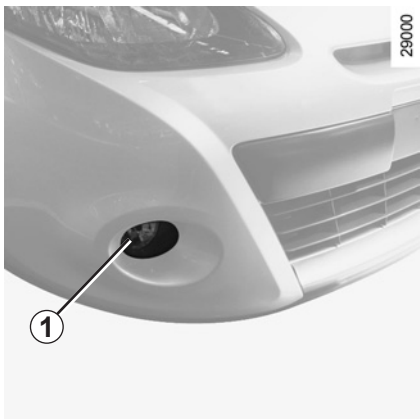
Bulb type: H7.



The bulbs are under pressure and can break when replaced.

Risk of injury.

HEADLIGHTS: additional/front fog lights



Front fog lights 1

Changing a bulb:

Consult an approved Dealer.

Bulb type: H11.



The bulbs are under pressure and can break when replaced.

Risk of injury.

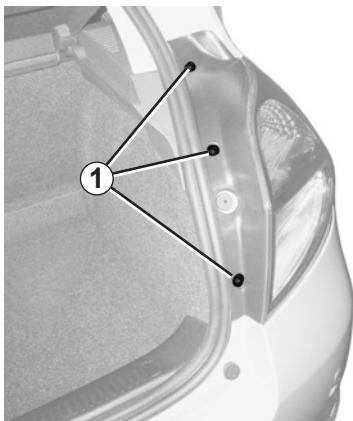
Additional lights

If you wish to fit fog lights or long range headlights to your vehicle, consult an approved Dealer.



Any operation on (or modification to) the electrical system must be performed by an approved dealer since an incorrect connection might damage the electrical equipment (harness, components and in particular the alternator). In addition, your Dealer has all the parts required for fitting these units.

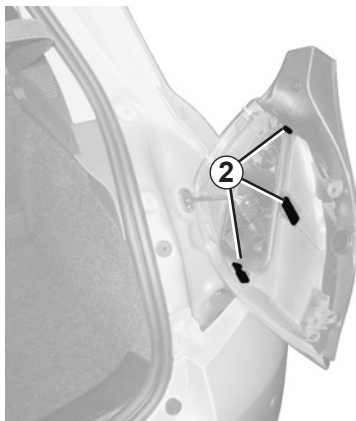
REAR LIGHTS AND SIDE LIGHTS: changing bulbs (1/4)



28022

3 and 5 door versions

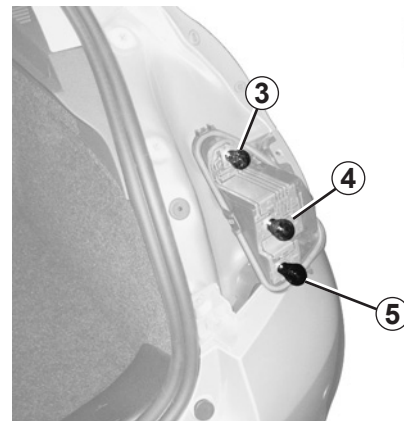
After opening the tailgate, remove bolts **1**.



28823

Release the rear light assembly from outside the vehicle by pulling towards the rear.

Unclip bulb holder **2** to access the bulbs.



28024

3 Side lights and stop lights

Bulb type: P21/5W.

4 Direction indicator lights

Bulb type: PY21.

5 Reversing light

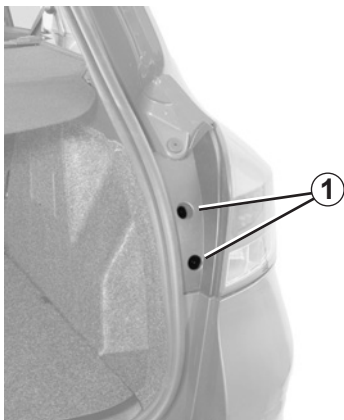
Bulb type: P21W.



The bulbs are under pressure and can break when replaced.

Risk of injury.

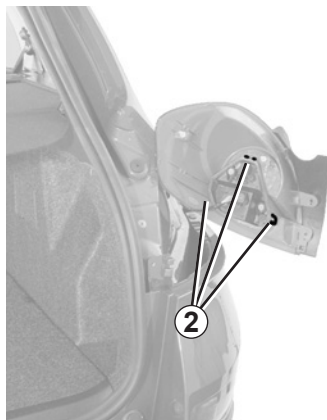
REAR LIGHTS AND SIDE LIGHTS: changing bulbs (2/4)



27482

Sport tourer Versions

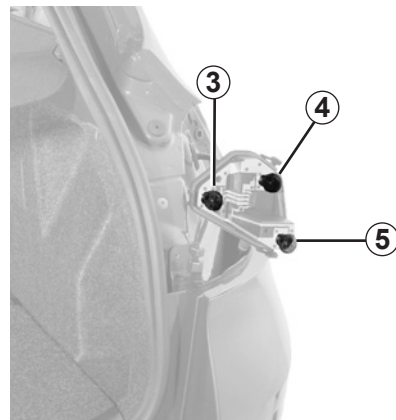
After opening the tailgate, unscrew bolts **1**.



27483

Release the rear light assembly from outside the vehicle by pulling towards the rear.

Remove the clips **2** from the bulb holder to access the bulbs.



27484

3 Direction indicator lights

Bulb type: P21W.

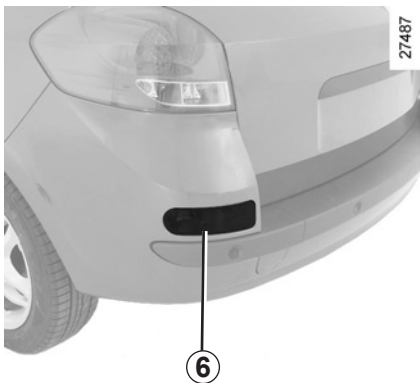
4 Side light and brake light

Bulb type: P21/5W.

5 Reversing light

Bulb type: P21W.

REAR LIGHTS AND SIDE LIGHTS: changing bulbs (3/4)

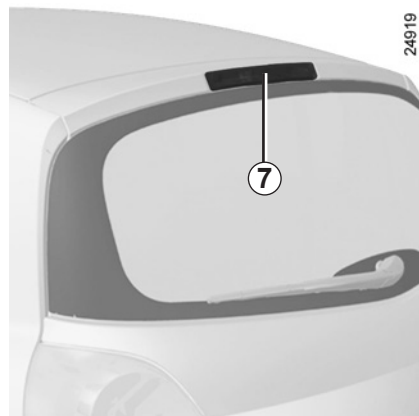
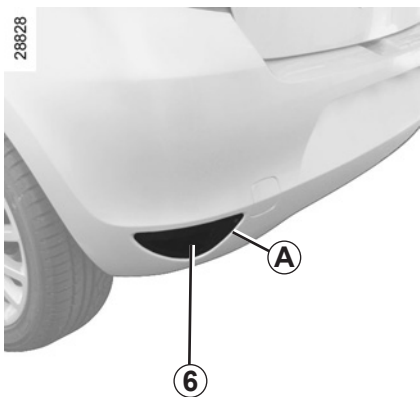


Rear fog lights 6

Unclip the light using a flat-blade screwdriver or similar (at mark **A** for three and five door versions).

6 Rear fog light Bulb type: P21W.

Note: the rear fog light is only on the driver's side.



High level brake light 7

Consult an approved dealer.



The bulbs are under pressure and can break when replaced.

Risk of injury.

REAR LIGHTS AND SIDE LIGHTS: changing bulbs (4/4)



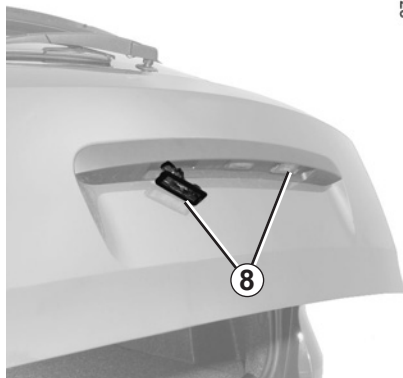
Number plate lights 8

3 and 5 door versions

Unclip light 8 by pressing the tab.

Remove the light cover to gain access to the bulb.

Bulb type: festoon type bulb W5W.

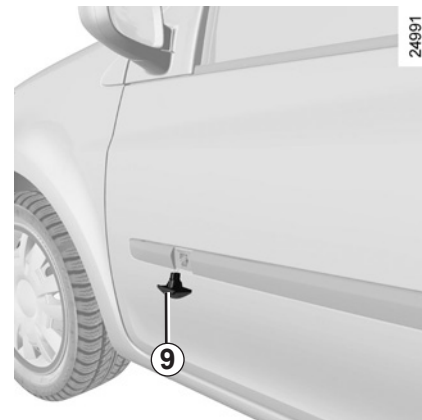


Sport tourer versions

Unclip light 8 by pressing the tab.

Remove the light cover to gain access to the bulb.

Bulb type: festoon type bulb W5W.



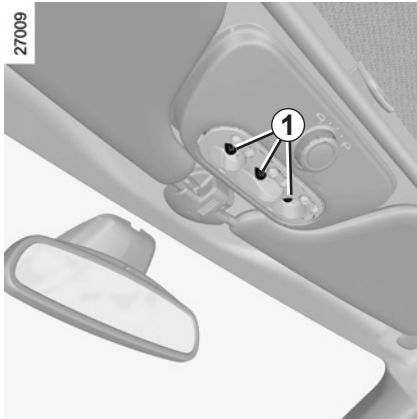
Side-mounted indicator lights 9

Unclip the side mounted indicator light (using a flat-blade screwdriver or similar).

Turn the bulb holder a quarter of a turn and take out the bulb.

Bulb type: WY5W.

INTERIOR LIGHTING: changing bulbs (1/2)

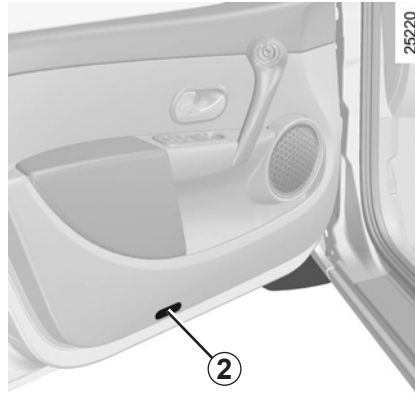


Courtesy light

Unclip the lens (using a flat-blade screwdriver or similar).

Remove the bulb concerned.

Bulb type 1: W5W.



Door lights 2

Unclip the light and remove the bulb using a pen or a flat-blade screwdriver.

Bulb type: C5W.

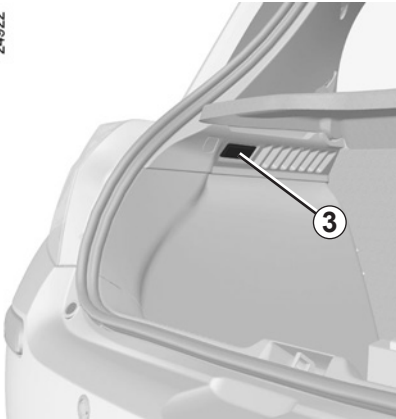


The bulbs are under pressure and can break when replaced.

Risk of injury.

INTERIOR LIGHTING: changing bulbs (2/2)

24922

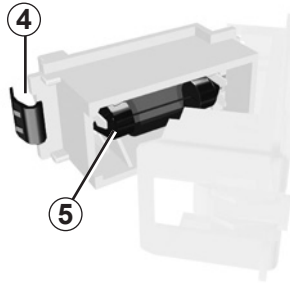


Luggage compartment light

Unclip light **3** by pressing the tabs on each side (using a flat-blade screwdriver or similar).

Disconnect the light.

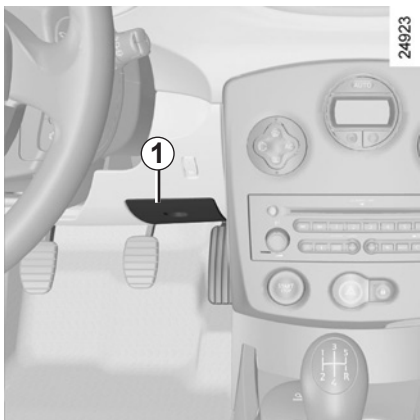
25014



Press tab **4** to release the bulb holder and gain access to bulb **5**.

Bulb type: C5W festoon type bulb.

FUSES (1/2)

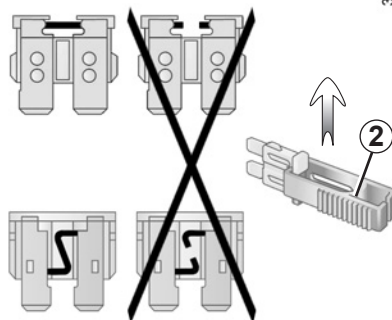


Fuse box 1

If any electrical component does not work, check the condition of the fuses.

Depending on the vehicle, open the cover to the right of the steering wheel or the glove box.

To identify the fuses, refer to the fuse allocation sticker (shown on the following page).



Remove the fuse using tweezers 2, located on the cover.

To remove the fuse from the tweezers, slide the fuse to the side.

It is not advisable to use the free fuse locations.

In accordance with local legislation or as a precautionary measure:

obtain an emergency kit containing a set of spare bulbs and fuses from an approved Dealer.






















Check the fuse in question and **replace it**, if necessary, **by a fuse of the same rating**.

If a fuse is fitted with too high a rating, it may cause the electrical circuit to overheat (risk of fire) in the event of an item of equipment using an excessive amount of current.

FUSES (2/2)

Allocation of fuses

(the presence of certain fuse depends on the vehicle equipment level)

Symbol	Allocation	Symbol	Allocation
	Rear door locking/child safety		Climate control
	Electric windows		Manual air conditioning
	Passenger compartment ventilation		Front cigar lighter
ALIM	General supply or courtesy lights		ABS/ESP
	Central door locking		Driver-controlled windows or not used
STOP	Brake lights		Driver's window winder
	Engine immobiliser or indicators		Horn
	Rear screen wiper or not used		Electric door mirrors
	Interior lighting		Automatic climate control instrument panel
	Wiper with automatic operation/Automatic lighting or not used		Indicator or rear screen wiper
	Radio		

Some accessories are protected by fuses located in the engine compartment.

However, due to their reduced accessibility, **we advise you to have your fuses replaced by an approved Dealer.**

BATTERY: troubleshooting (1/4)

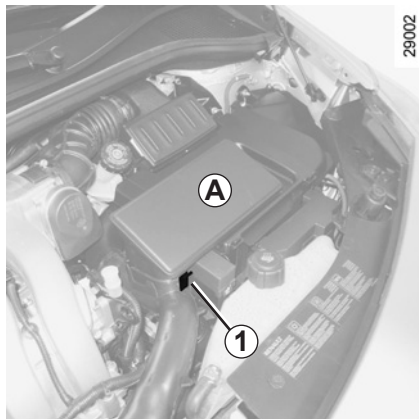
To avoid all risk of sparks:

- ensure that any consumers are switched off before disconnecting or reconnecting the battery;
- when charging, stop the charger before connecting or disconnecting the battery;
- to avoid creating a short circuit between the terminals, do not place metal objects on the battery;
- always wait at least one minute after the engine has been switched off before disconnecting a battery;
- make sure that you reconnect the battery terminals after refitting.



The engine may be hot during operations in close proximity. In addition, the engine cooling fan may start at any moment.

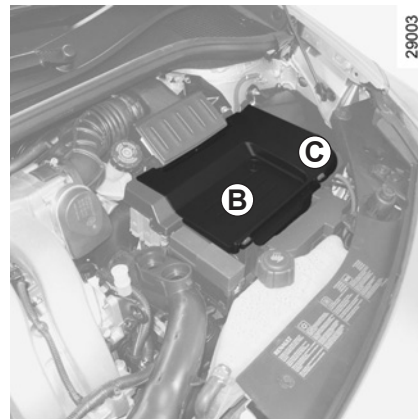
Risk of injury.



Access to the battery

Depending on the vehicle, press tab **1** and tilt block **A** backwards to unclip it.

Unclip cover **B** and remove it, then unclip cover **C** and remove it.



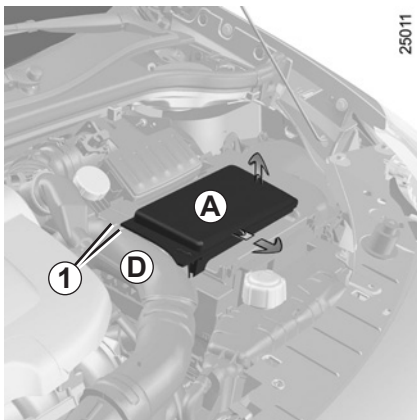
Refitting the battery covers

- position cover **C** in its hinges and clip it in place;
- then position cover **B** in its hinges and clip it in place;

Check that the two covers **B** and **C** are correctly locked.

Depending on the vehicle, reposition block **A**, clipping first the rear, then the front. Ensure it is correctly locked in place.

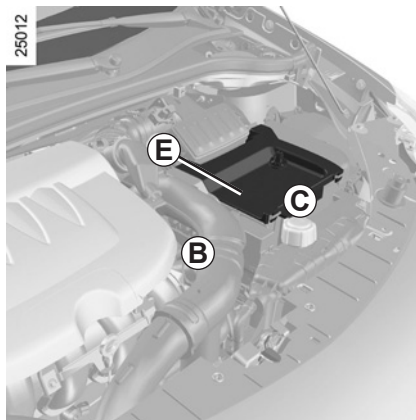
BATTERY: troubleshooting (2/4)



Access to the battery

Depending on the vehicle, in the engine compartment:

- lift block **A** to unclip it, then, while holding pipe **D**, slide block **A** towards you;
- unclip cover **B** and remove it;
- then unclip cover **C** and remove it.



Refitting the battery covers

- position cover **C** in its hinges and clip it in place;
- then position cover **B** in its hinges and clip it in place;

Check that the two covers **B** and **C** are correctly locked.

Depending on the battery, reposition block **A** in the runners and slide it until it is positioned between the two marks **1**.

Pull block **A** slightly to the right to clip it on pin **E**, press, and check that it locks properly.



Handle the battery with care as it contains sulphuric acid, which must not come into contact with eyes or skin. If it does, wash the affected area with plenty of cold water. If necessary, consult a doctor.

Ensure that naked flames, red hot objects and sparks do not come into contact with the battery as there is a risk of explosion.

BATTERY: troubleshooting (3/4)

Connecting a battery charger

The battery charger must be compatible with a battery with nominal voltage of 12 volts.

Switch the engine off and then disconnect both battery leads **starting with the negative terminal**.

Do not disconnect the battery when the engine is running. **Follow the instructions given by the manufacturer for the battery charger you are using.**

Only a fully charged and well-maintained battery will have a long and useful life and enable you to start the vehicle's engine normally.

The battery must be kept clean and dry.

Have the battery's charge status checked regularly:

- especially if you use your vehicle for short journeys or for frequent driving in town;
- when the exterior temperature drops (in winter), **the charge decreases**. In winter, only use the electrical equipment that is really necessary;
- finally, you should understand that the charge decreases naturally as a result of certain permanent electrical consumers such as the clock, after-sales accessories, etc.

When many accessories are fitted to the vehicle, have them connected to the **+ after ignition feed**. In this case, it is advisable to have your vehicle fitted with a battery which has an increased nominal capacity. Contact an approved Dealer.

If your vehicle is to be left stationary for a relatively long time, disconnect the battery or have it recharged regularly, particularly during cold weather. It will then be necessary, with the engine running, to move the steering wheel slowly, from lock to lock and to reprogram the electronic equipment with a memory feature, radio, etc. The battery should be stored in a cool and dry location protected from frost.

Note: if you have disconnected or recharged a battery, move the steering wheel slowly from lock to lock to reset the system.



Special procedures may be required to charge some batteries. Contact your approved Dealer.

Avoid all risk of sparks which may cause an immediate explosion and charge the battery in a well-ventilated area. Risk of serious injury.

BATTERY: troubleshooting (4/4)

Starting the vehicle using the battery from another vehicle

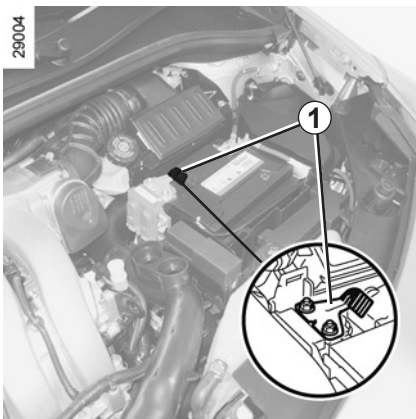
Proceed as follows when starting your vehicle from another vehicle's battery:

Obtain suitable jump leads (large) from an approved Dealer or, if you already have jump leads, ensure that they are in perfect condition.

The two batteries must have an identical nominal voltage of 12 volts. The battery supplying the current should have a capacity (amp-hours, Ah) which is at least the same as that of the discharged battery.

Ensure that there is no risk of contact between the two vehicles (risk of short circuiting when the positive terminals are connected) and that the discharged battery is properly connected. Switch off your vehicle ignition.

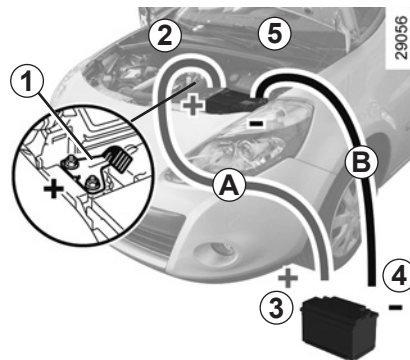
Start the engine of the vehicle supplying the current and run it at an intermediate engine speed.



Attach the positive lead **A** on **support 1** to **terminal 2 (+)** of the discharged battery, then to **terminal 3 (+)** of the battery supplying the current.

Attach negative lead **B** to **terminal 4 (-)** of the battery supplying the current, then to **terminal 5 (-)** of the discharged battery.

Leads A and B must only be connected to the terminals indicated.



Start the engine as you would normally. As soon as it is running, disconnect leads **A** and **B** in the reverse order (**5-4-3-2**).



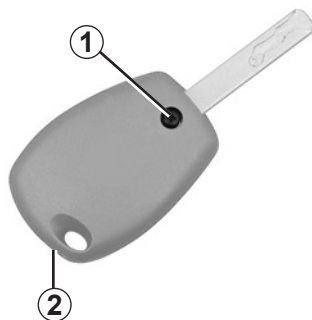
Check that there is no contact between leads **A** and **B** and that the positive lead **A** is not touching any metal parts on the vehicle supplying the current.

Risk of injury and/or damage to the vehicle.

RADIO FREQUENCY REMOTE CONTROL: battery

A

25029



Remote controls **A** and **B**

Replacing the battery

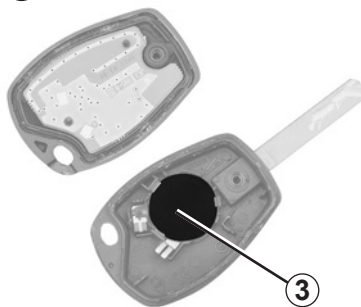
Remove screw **1**, open the case at slot **2** using a coin, and replace the battery **3**, observing the type and polarity shown on the back of the cover.

The batteries are available from approved Dealers, and their service life approximately two years.

Check that there is no dye on the battery: risk of an incorrect electrical contact.

A

25030



Note: It is not advisable to touch the electrical circuit in the key cover when replacing the battery.

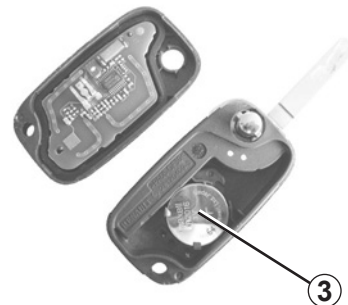
When refitting, ensure that the cover is correctly clipped on and the screw tightened.



Do not dispose of your used batteries in the countryside. Give them to an organisation that collects and recycles used batteries.

27416

B



26913



RENAULT CARD: battery



Replacing the battery

The message “Change card battery” appears on the instrument panel.

Pull firmly on emergency key **2**.

Replace battery **1**, observing the type and polarity shown on the emergency key.

After the procedure, the “Change card battery” message no longer appears on the instrument panel.

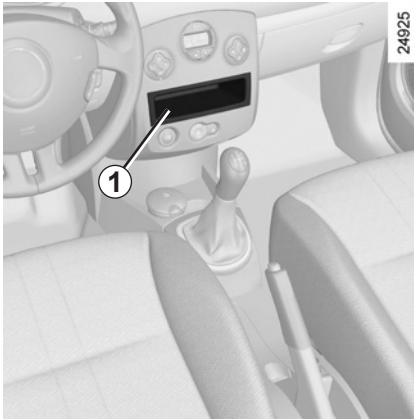


Do not dispose of your used batteries in the countryside. Give them to an organisation that collects and recycles used batteries.

The batteries are available from approved Dealers, and their service life approximately two years.

Check that there is no dye on the battery: risk of an incorrect electrical contact.

FITTING A RADIO



Radio location 1

Unclip the blanking cover. The aerial, + and – supply and speaker wire connections are located behind it.



Door speakers

Using a flat-blade screwdriver or similar, unclip grille 2 to access the speaker wires.

- In all cases, it is very important to follow the manufacturer's instructions carefully.
- The specifications of the brackets and wires (available from our network) vary depending on the equipment level of your vehicle and the type of radio.

Consult an approved Dealer to find out the correct part number.

- No work may be carried out on the vehicle's electrical or radio circuits, except by approved dealers: an incorrectly connected system may result in damage being caused to the electrical equipment and/or the components connected to it.

ACCESSORIES



Before fitting an electrical or electronic device (particularly for transmitters/receivers: frequency bandwidth, power level, position of the aerial etc.), ensure that it is compatible with your vehicle.

Contact an approved dealer for this information.



Use of transmission/receiving devices (telephones, CB equipment etc.).

Telephones and CB equipment with integrated aerials may cause interference to the original electronic systems fitted to the vehicle: it is advisable only to use equipment with an external aerial.

Furthermore, we remind you of the need to comply with the legislation in force concerning the use of such equipment.



Fitting after-market accessories

If you wish to install accessories on the vehicle: consult an approved dealer.

Also, to ensure the correct operation of your vehicle, and to avoid any risk to your safety, we recommend that you use only specific accessories, designed for your vehicle, which are the only accessories for which the manufacturer will provide a warranty.



If you are using an anti-theft device, only attach it to the brake pedal.



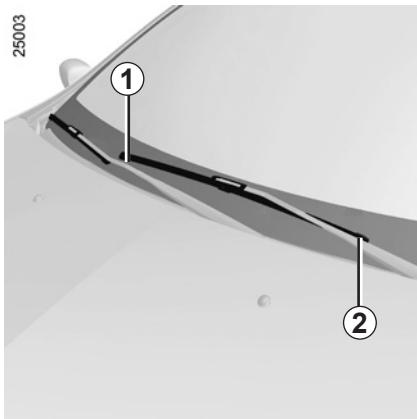
Electrical and electronic accessories

– Connect accessories with a maximum power of 120 Watts only.

Fire hazard.

- No work may be carried out on the vehicle's electrical or radio circuits, except by approved Dealers: an incorrectly connected system may result in damage being caused to the electrical equipment and/or the components connected to it;
- if the vehicle is fitted with any aftermarket electrical equipment, make sure that the unit is correctly protected by a fuse. Establish the rating and position of this fuse.

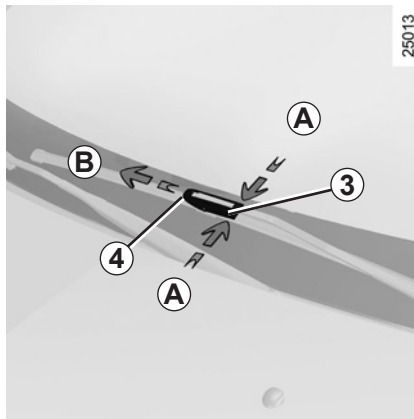
WINDSCREEN WIPER BLADES (1/2)



Replacing windscreen wiper blades 1

- With the ignition off, lift wiper arm **2**;
- turn blade **1**.

Driver's side special note: stop turning before it touches the bonnet.



Lower tab **3**, by pressing on either side **A**.

Then push the blade forwards **B**, to release hook **4**.

To refit

To refit the wiper blade, proceed in reverse order to removal. Make sure that the blade is correctly locked in position.

Check the condition of the wiper blades. You are responsible for their service life:

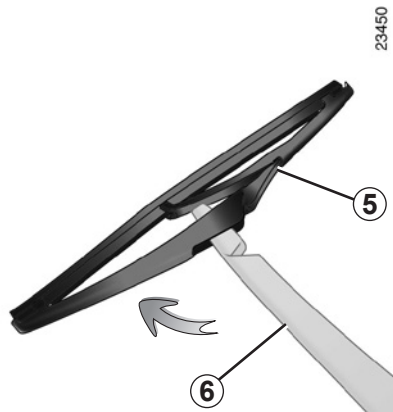
- clean the blades, windscreen and rear screen regularly with soapy water;
- do not use them when the windscreen or rear screen are dry;
- free them from the windscreen or rear screen when they have not been used for a long time.



- In frosty weather, make sure that the wiper blades are not stuck by ice (to avoid the risk of the motor overheating).
- Check the condition of the wiper blades.
Replace the wiper blades as soon as they begin to lose efficiency (approximately once a year).

Whilst changing the blade, take care not to drop the arm onto the window after it has been removed as this may break the window.

WINDSCREEN WIPER BLADES (2/2)



Rear screen wiper blade 5

- With the ignition off, lift wiper arm **6**;
- pivot blade **5** until some resistance is met;
- remove the blade by pulling it.

To refit

To refit the wiper blade, proceed in reverse order to removal. Make sure that the blade is correctly locked in position.



– In frosty weather, make sure that the wiper blades are not stuck by ice (to avoid the risk of the motor overheating).

- Check the condition of the wiper blades.
Replace the wiper blades as soon as they begin to lose efficiency (approximately once a year).

Whilst changing the blade, take care not to drop the arm onto the window after it has been removed as this may break the window.

Check the condition of the wiper blades. You are responsible for their service life:

- clean the blades, windscreen and rear screen regularly with soapy water;
- do not use them when the windscreen or rear screen are dry;
- free them from the windscreen or rear screen when they have not been used for a long time.

TOWING: breakdown (1/3)

Insert the key in the ignition switch, or the card in the reader, to unlock the steering wheel and use the signalling lights (brake lights, hazard warning lights, etc.). The towed vehicle's lights must be switched on at night.

The speed specified by current legislation for towing must always be observed. If your vehicle is the towing vehicle, do not exceed the maximum towing weight for your vehicle (refer to the information on "Weights" in Section 6).

Only use:

- at the rear, towing point **4** (depending on the vehicle);
- at the front, towing hitch **2** (never the drive shafts).

These towing points may only be used for towing: never use them for lifting the vehicle directly or indirectly.

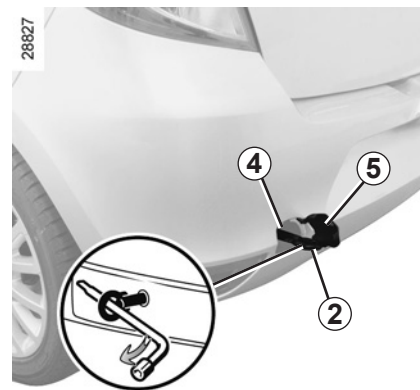
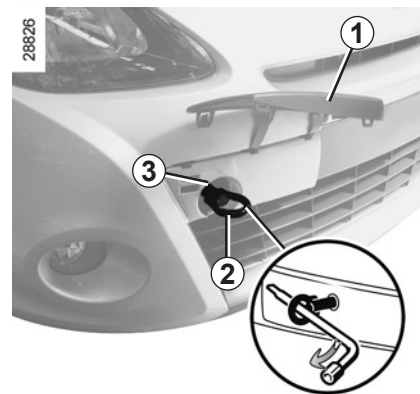


Access to towing points

Unclip by pulling towards you and lift cover **1** or **5** (depending on the vehicle).

Tighten towing hitch 2 fully: as much as possible by hand at first, then finish tightening it using the wheelbrace or, depending on the vehicle, the lever.

Use only the towing eye **2** and the wheelbrace located under the luggage compartment carpet in the tool kit (please refer to the information under "Tool kit" in Section 5).



TOWING: breakdown (2/3)



When the engine is stopped, steering and braking assistance are not operational.



– Use a rigid towing bar. If a rope or cable is used (where the law allows this), the vehicle being towed must be able to brake.

- A vehicle must not be towed if it is not fit to be driven.
- Avoid accelerating or braking suddenly when towing, as this may result in damage being caused to the vehicle.
- When towing a vehicle, it is advisable not to exceed **15 mph (25 km/h)**.
- Do not push the vehicle if the steering column is locked.

Towing procedure

Before any towing, check that the steering column is not locked.

If it is locked, insert the RENAULT card into the reader and press the Start/Stop button for **five seconds** without pressing on the pedals. The steering column unlocks and the vehicle accessories functions are supplied.

Leave the card in the reader while towing.

Press the Start/Stop button twice in succession once towing is finished (risk of running down the battery).



Do not remove the key from the ignition switch or the card from the reader during towing.



Do not leave the tools unsecured inside the vehicle as they may come loose under braking.

Towing a vehicle with an automatic gearbox

With the engine switched off: the transmission is no longer lubricated. It is preferable to tow this type of vehicle on a trailer or tow it with the front wheels off the ground.

Under exceptional circumstances, you may tow the vehicle with all four wheels on the ground, **only going forward, with the gear lever in the Neutral position, and for a distance not exceeding 30 miles (50 km).**



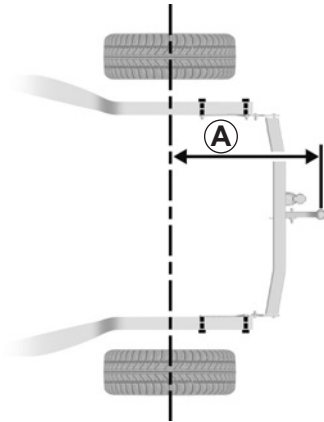
If the lever is stuck in **P**, even though you are depressing the brake pedal, the lever can be released manually.

To do this, unclip the upper section of the cover at the base of the lever.

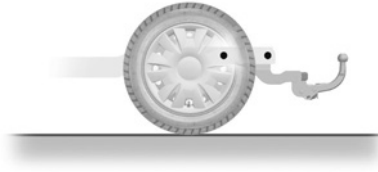
Press simultaneously on the mark on the gaiter and the unlocking button on the lever.

TOWING: breakdown (3/3)/ATTACHMENTS

24981



24982



A: 681 mm (3 or 5 door versions)

A: 901 mm (sport tourer version)

Permissible nose weight, maximum permissible towing weight, braked and unbraked: refer to the information on “Weights” in Section 6.

For fitting and conditions of use, refer to the equipment’s fitting instructions.

Please keep these instructions with the rest of the vehicle documentation.

OPERATING FAULTS (1/8)

The following advice will enable you to carry out quick, temporary repairs. For safety reasons you should always contact an approved dealer as soon as possible.

Using the RENAULT card	POSSIBLE CAUSES	ACTION REQUIRED
The RENAULT card does not lock or unlock the doors.	Card battery is flat.	Use the emergency key (refer to the information on the Emergency key in Section 1).
	Use of appliances operating on the same frequency as the card (mobile phone, etc.).	Stop using the equipment or use the emergency key (refer to the information on the Emergency key in Section 1).
	Vehicle located in a high electromagnetic radiation zone. Discharged battery.	Replace the battery. You can still lock/unlock and start your vehicle (refer to the information on "Locking/unlocking the doors" in Section 1 and "Starting/Stopping the engine" in Section 2).
The remote control does not lock or unlock the doors.	The remote control battery is flat.	Use the emergency key.
	Use of appliances operating on the same frequency as the remote control (mobile phone, etc.).	Stop using the devices or use the key.
	Vehicle located in a high electromagnetic radiation zone. Discharged battery.	Replace the battery. You can still lock/unlock and start your vehicle (refer to the information on "Locking/unlocking the doors" in Section 1 and "Starting/Stopping the engine" in Section 2).

OPERATING FAULTS (2/8)

The starter is activated	POSSIBLE CAUSES	ACTION REQUIRED
There is no response, the warning lights fail to light up and the starter does not turn.	Discharged battery.	Connect another battery to the faulty battery.
	Battery unserviceable.	Replace battery.
Warning lights go dim and starter turns very slowly.	Battery terminals not tight, battery terminals corroded.	Retighten, reconnect or clean them if they are oxidised.
	Battery discharged or unserviceable.	Connect another battery to the faulty battery. Refer to the paragraph "battery: troubleshooting" in section 5 or replace the battery if necessary. Do not push the vehicle if the steering column is locked.

OPERATING FAULTS (3/8)

The starter is activated	POSSIBLE CAUSES	ACTION REQUIRED
The engine will not start (vehicle with RENAULT card).	Starting conditions are not fulfilled.	Refer to the information on “Starting/ stopping the engine” in Section 2.
	The hands-free RENAULT card is not detected.	Move the card inside the passenger compartment.
	The hands-free RENAULT card does not work.	Insert the card in the card reader in order to start the engine. Refer to the information on “Starting/ stopping the engine” in Section 2.
It is difficult to start the engine in wet weather or after washing the vehicle.	Poor ignition, ignition system damp.	Dry the spark plug and coil wires.
The engine is difficult to start when hot.	Faulty carburation (bubbles of vaporised fuel in the circuit).	Let the engine cool down.
	Poor compression.	Consult an approved dealer.
The engine cannot be switched off (vehicle with RENAULT card).	Electronic fault.	Press the starter button quickly five times.
The steering column remains locked.	Steering wheel locked.	Move the steering wheel while pressing the engine start button (refer to the information on Starting the engine in Section 2).

OPERATING FAULTS (4/8)

On the road	POSSIBLE CAUSES	ACTION REQUIRED
White smoke from the exhaust.	This is not necessarily a fault. Smoke may be caused by regeneration of the particle filter.	Refer to the information on “Special features of diesel versions” in Section 2.
Vibrations.	Tyres not inflated to correct pressures, incorrectly balanced or damaged.	Check the tyre pressures. If this is not the problem, have them checked by an approved Dealer.
Coolant boiling in the coolant reservoir.	Mechanical fault: cylinder head gasket blown, faulty coolant pump.	Stop the engine. Consult an approved dealer.

OPERATING FAULTS (5/8)

On the road	POSSIBLE CAUSES	ACTION REQUIRED
Smoke under the bonnet.	Short circuit or cooling circuit leak.	Stop, switch off the ignition, stand away from the vehicle and contact an approved Dealer.
	Coolant circuit fault.	Consult an approved dealer.
<hr/>		
The oil pressure warning light comes on:		
– while turning or braking,	The level is too low.	Top up the engine oil level (refer to the information on “Engine oil level: topping up/filling” in Section 4).
– at idle speed,	Low oil pressure.	Consult the nearest approved Dealer.
– is slow to go out or remains lit when accelerating.	Loss of oil pressure.	Stop the vehicle and contact an approved Dealer.
<hr/>		
Loss of engine power.	Clogged air filter.	Replace the cartridge.
	Fuel supply fault.	Check the fuel level.
	Faulty spark plugs, incorrect electrode gaps.	Consult an approved dealer.
<hr/>		
Unstable idle speed or the engine stalls.	Poor compression (spark plugs, ignition, air leak).	Consult an approved dealer.

OPERATING FAULTS (6/8)

On the road	POSSIBLE CAUSES	ACTION REQUIRED
Steering becomes heavy.	<ul style="list-style-type: none">– assistance overheating,– weak or dead battery.	<p>Leave to cool.</p> <p>Recharge or replace the battery.</p>
The engine overheats. The coolant temperature warning light comes on (or the indicator needle is in the red area).	<p>Coolant pump: belt stretched or broken. Engine cooling fan not working.</p> <hr/> <p>Coolant leaks.</p>	<p>Stop the vehicle, switch off the engine and contact an approved Dealer.</p> <hr/> <p>Check the condition of hoses and clips.</p> <p>Check the coolant reservoir: it should contain fluid. If it does not, top it up (once it has cooled). Take care not to scald yourself. This action is only temporary; consult your approved Dealer as soon as possible.</p>



Radiator: if there is a significant lack of coolant, remember that it must never be topped up using cold coolant while the engine is very warm. After any procedure on the vehicle which has involved even partial draining of the cooling system, it must be refilled with a new mixture prepared in the correct proportions. Reminder: only products approved by our Technical Department may be used for this purpose.

OPERATING FAULTS (7/8)

Electrical equipment	POSSIBLE CAUSES	ACTION REQUIRED
The wipers do not work.	Wiper blades stuck.	Free the blades before using the wipers.
	Broken windscreen wiper fuse.	Consult an approved dealer.
	Blown rear screen wiper fuse (intermittent, permanently stopped).	Replace it.
	Motor fault.	Consult an approved dealer.
<hr/>		
The wiper does not stop.	Faulty electrical controls.	Consult an approved dealer.
<hr/>		
Direction indicators flashing more quickly.	Blown bulb.	Replace the bulb.
<hr/>		
The indicators are not working.	On one side: <ul style="list-style-type: none">– blown bulb,– faulty earth connection,	Replace the bulb. Find the earth wire which is attached to a metallic part, scrape the end of the earth wire and reposition carefully.
	On both sides: <ul style="list-style-type: none">– fuse blown,– faulty flasher unit.	Replace it. Replace: contact an approved dealer.

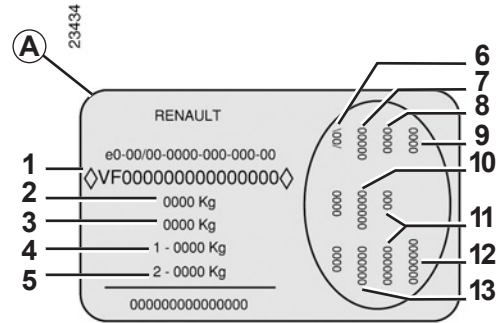
OPERATING FAULTS (8/8)

Electrical equipment		POSSIBLE CAUSES	ACTION REQUIRED
The headlights are not working.	One only:	– blown bulb,	Replace the bulb.
		– disconnected wire or incorrectly-positioned connector,	Check and reconnect the wire or the connector.
		– faulty earth connection.	See above.
	Both:	– if the circuit is fused.	Check and replace if necessary.
The headlights do not switch off.		Faulty electrical controls.	Consult an approved dealer.
Traces of condensation in the lights.		This is not a fault. The presence of traces of condensation in lights is a natural phenomenon linked to variations in temperature. These traces soon disappear when the lights are switched on.	

Section 6: Technical specifications

Vehicle identification plate	6.2
Dimensions	6.4
Engine specifications	6.6
Towing weights	6.7
Weights	6.7
Replacement parts and repairs	6.8
Service sheets	6.9
Anti-corrosion check	6.15
	6.1

VEHICLE IDENTIFICATION PLATES



The information shown on the vehicle identification plate should be quoted on all correspondence or orders.

The presence and location of the information depends on the vehicle.

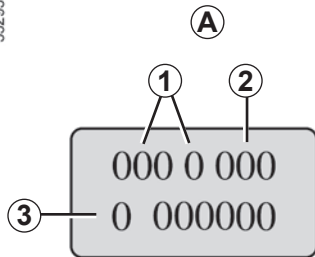
Vehicle identification plate A

- 1 Vehicle type and chassis number.
Depending on the vehicle, this information is also given on marking B.
- 2 MMAC (Maximum permissible all-up weight).

- 3 GTW (Gross train weight – vehicle fully loaded, with trailer).
- 4 MMTA (Maximum permissible weight) front axle.
- 5 Maximum permissible weight on rear axle.
- 6 Technical specifications of vehicle.
- 7 Paint reference.
- 8 Equipment level.
- 9 Vehicle type.
- 10 Trim code.
- 11 Additional equipment specification.
- 12 Production number.
- 13 Interior trim code.

ENGINE IDENTIFICATION PLATES

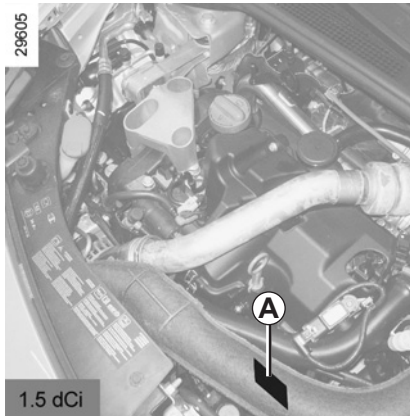
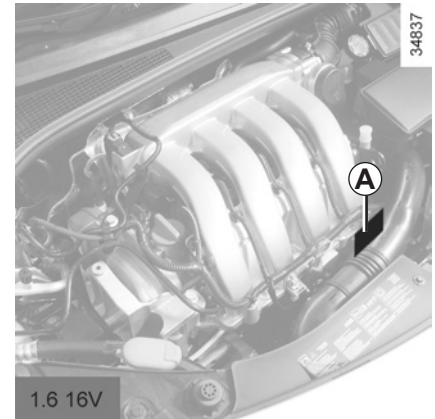
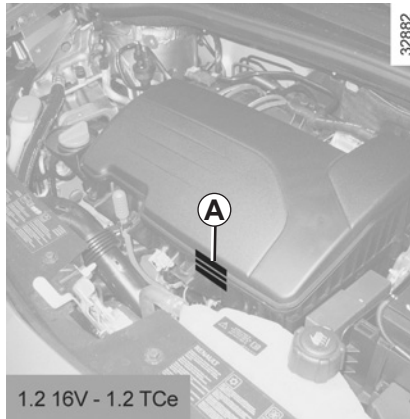
33293



Please quote the information on the engine plate or label A in all correspondence or orders.

(Location varies depending on engine)

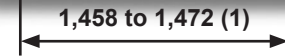
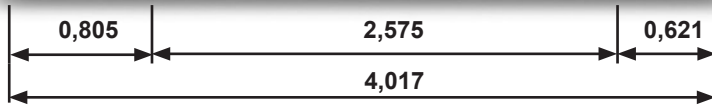
- 1 Engine type.
- 2 Engine suffix.
- 3 Engine number.



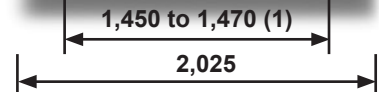
DIMENSIONS (in metres) (1/2)

Saloon version

29089



1,497*



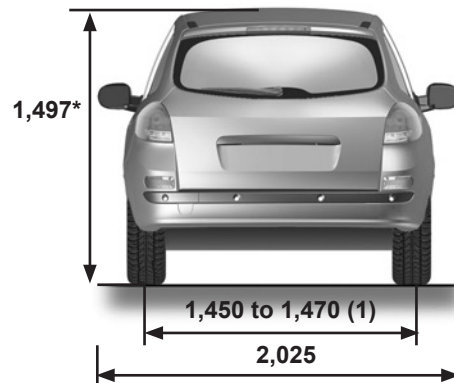
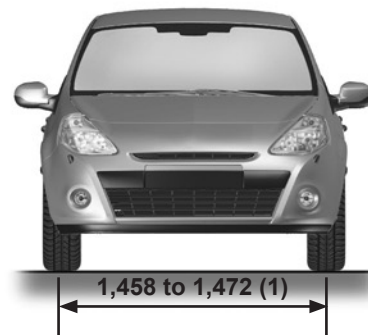
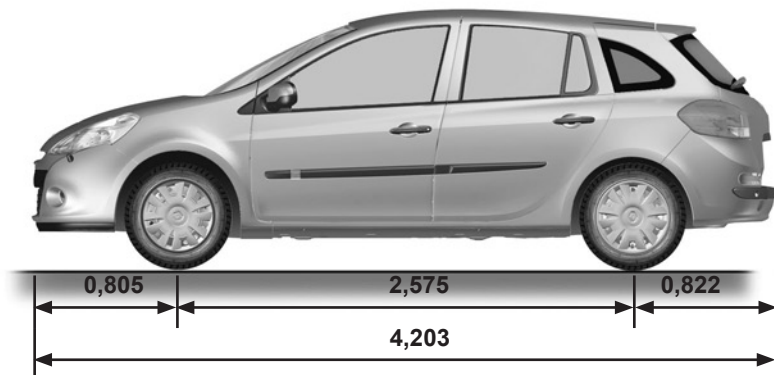
(1) Depending on vehicle and tyre size

* unladen

DIMENSIONS (in metres) (2/2)

Sport tourer versions

29091



(1) Depending on vehicle and tyre size

* unladen

ENGINE SPECIFICATIONS

Versions	1.2 16V	1.2 TCE	1.6 16V	1.5 dCi
Engine type (see engine plate)	D4F	D4F Turbo	K4M	K9K Turbo
Cubic capacity (cc)	1149		1598	1461
Type of fuel Octane rating	<p>It is essential that you use unleaded petrol of the octane rating stated on the label inside the fuel filler flap.</p> <p>If not available, for a limited time only, use unleaded fuel:</p> <ul style="list-style-type: none"> – with an octane rating of 91 for a label with the ratings 95 or 98, – with an octane rating of 87 for a label with the ratings 91, 95 or 98. 			<p>Diesel: the label located in the fuel filler flap indicates authorised fuels.</p>
Spark plugs	<p>Only use the spark plugs specified for your vehicle's engine.</p> <p>The type should be marked on a label affixed inside the engine compartment. If it is not then contact an approved Dealer.</p> <p>Fitting spark plugs other than those specified may damage the engine.</p>			–

WEIGHTS (in kg)

The weights indicated for a basic vehicle without options: they vary depending on the your vehicle's equipment. Consult your approved Dealer.

Maximum permissible all-up weight (MMAC) Maximum permissible all-up weight (MMTA) Total train weight (MTR)	Weights are indicated on the vehicle identification plate (refer to the information on "Vehicle identification plates" in Section 6)
Braked Trailer Weight*	found by calculating: MTR - MMAC
Unbraked Trailer Weight*	535
Permissible nose weight*	75
Maximum permissible load on roof	80 kg (including the carrying device)

* Towing weight (towing a caravan, boat, etc.)

Towing is prohibited when the MTR - MMAC calculation is equal to zero, or when the MTR is equal to zero (or is not listed) on the identification plate.

- It is important to comply with the towing weights, governed by local legislation in each country and, in particular, laid down in the Road Traffic Regulations. Contact an approved Dealer about any towing equipment.
- When towing, under no circumstances may **the total train weight (vehicle + trailer) be exceeded**. However the following is permitted:
 - rear axle MMTA exceeded by no more than 15%,
 - maximum MMAC exceeded by no more than 10% or 100 kg (whichever is reached first).In either case, the maximum speed of the vehicle and trailer must not exceed 60 mph (100 km/h) and the tyre pressures must be increased by 0.2 bar (3 PSI).
- The engine output and climbing capability are reduced with altitude. We recommend that the maximum load be reduced by 10% at an altitude of 1,000 metres and by an additional 10% for each 1,000 metres thereafter.

Weight transfer (except utility version)

Depending on the local legislation, if the Maximum Authorised Mass of the vehicle has not been reached, up to 300 kg can be transferred to the braked trailer, within the limits of the Gross Train Weight.

REPLACEMENT PARTS AND REPAIRS

Original parts are based on strict specifications and are subject to highly-specialised tests. Therefore, they are of at least the same level of quality as the parts fitted originally.

If you always fit genuine replacement parts to your vehicle, you will ensure that it performs well. Furthermore, repairs carried out within the manufacturer's Network using original parts are guaranteed according to the conditions set out on the reverse of the repair order.

SERVICE SHEETS (1/6)

VIN:

Date: _____ Miles (km): _____		Invoice number: _____	Comments/miscellaneous
Type of operation: Service <input type="checkbox"/> <input type="checkbox"/>		Stamp	
Anticorrosion check: OK <input type="checkbox"/> Not OK* <input type="checkbox"/> *See specific page			
Date: _____ Miles (km): _____		Invoice number: _____	Comments/miscellaneous
Type of operation: Service <input type="checkbox"/> <input type="checkbox"/>		Stamp	
Anticorrosion check: OK <input type="checkbox"/> Not OK* <input type="checkbox"/> *See specific page			
Date: _____ Miles (km): _____		Invoice number: _____	Comments/miscellaneous
Type of operation: Service <input type="checkbox"/> <input type="checkbox"/>		Stamp	
Anticorrosion check: OK <input type="checkbox"/> Not OK* <input type="checkbox"/> *See specific page			

SERVICE SHEETS (2/6)

VIN:

Date: _____ Miles (km): _____		Invoice number: _____	Comments/miscellaneous
Type of operation: Service <input type="checkbox"/> <input type="checkbox"/>		Stamp	
Anticorrosion check: OK <input type="checkbox"/> Not OK* <input type="checkbox"/> *See specific page			
Date: _____ Miles (km): _____		Invoice number: _____	Comments/miscellaneous
Type of operation: Service <input type="checkbox"/> <input type="checkbox"/>		Stamp	
Anticorrosion check: OK <input type="checkbox"/> Not OK* <input type="checkbox"/> *See specific page			
Date: _____ Miles (km): _____		Invoice number: _____	Comments/miscellaneous
Type of operation: Service <input type="checkbox"/> <input type="checkbox"/>		Stamp	
Anticorrosion check: OK <input type="checkbox"/> Not OK* <input type="checkbox"/> *See specific page			

SERVICE SHEETS (3/6)

VIN:

Date: _____ Miles (km): _____		Invoice number: _____	Comments/miscellaneous
Type of operation: Service <input type="checkbox"/> <input type="checkbox"/>		Stamp	
Anticorrosion check: OK <input type="checkbox"/> Not OK* <input type="checkbox"/> *See specific page			
Date: _____ Miles (km): _____		Invoice number: _____	Comments/miscellaneous
Type of operation: Service <input type="checkbox"/> <input type="checkbox"/>		Stamp	
Anticorrosion check: OK <input type="checkbox"/> Not OK* <input type="checkbox"/> *See specific page			
Date: _____ Miles (km): _____		Invoice number: _____	Comments/miscellaneous
Type of operation: Service <input type="checkbox"/> <input type="checkbox"/>		Stamp	
Anticorrosion check: OK <input type="checkbox"/> Not OK* <input type="checkbox"/> *See specific page			

SERVICE SHEETS (4/6)

VIN:

Date: _____ Miles (km): _____		Invoice number: _____	Comments/miscellaneous
Type of operation: Service <input type="checkbox"/> <input type="checkbox"/>		Stamp	
Anticorrosion check: OK <input type="checkbox"/> Not OK* <input type="checkbox"/> *See specific page			
Date: _____ Miles (km): _____		Invoice number: _____	Comments/miscellaneous
Type of operation: Service <input type="checkbox"/> <input type="checkbox"/>		Stamp	
Anticorrosion check: OK <input type="checkbox"/> Not OK* <input type="checkbox"/> *See specific page			
Date: _____ Miles (km): _____		Invoice number: _____	Comments/miscellaneous
Type of operation: Service <input type="checkbox"/> <input type="checkbox"/>		Stamp	
Anticorrosion check: OK <input type="checkbox"/> Not OK* <input type="checkbox"/> *See specific page			

SERVICE SHEETS (5/6)

VIN:

Date: _____ Miles (km): _____		Invoice number: _____	Comments/miscellaneous
Type of operation: Service <input type="checkbox"/> <input type="checkbox"/>		Stamp	
Anticorrosion check: OK <input type="checkbox"/> Not OK* <input type="checkbox"/> *See specific page			
Date: _____ Miles (km): _____		Invoice number: _____	Comments/miscellaneous
Type of operation: Service <input type="checkbox"/> <input type="checkbox"/>		Stamp	
Anticorrosion check: OK <input type="checkbox"/> Not OK* <input type="checkbox"/> *See specific page			
Date: _____ Miles (km): _____		Invoice number: _____	Comments/miscellaneous
Type of operation: Service <input type="checkbox"/> <input type="checkbox"/>		Stamp	
Anticorrosion check: OK <input type="checkbox"/> Not OK* <input type="checkbox"/> *See specific page			

SERVICE SHEETS (6/6)

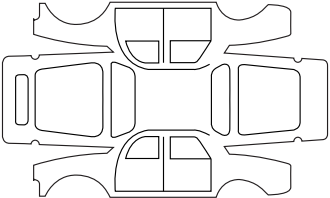
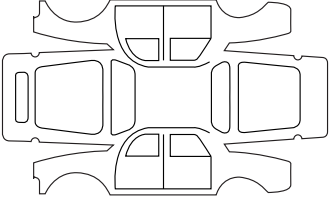
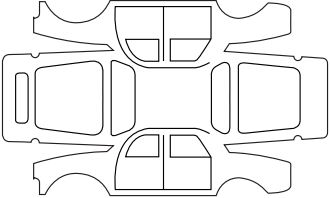
VIN:

Date: _____ Miles (km): _____		Invoice number: _____	Comments/miscellaneous
Type of operation: Service <input type="checkbox"/> <input type="checkbox"/>		Stamp	
Anticorrosion check: OK <input type="checkbox"/> Not OK* <input type="checkbox"/> *See specific page			
Date: _____ Miles (km): _____		Invoice number: _____	Comments/miscellaneous
Type of operation: Service <input type="checkbox"/> <input type="checkbox"/>		Stamp	
Anticorrosion check: OK <input type="checkbox"/> Not OK* <input type="checkbox"/> *See specific page			
Date: _____ Miles (km): _____		Invoice number: _____	Comments/miscellaneous
Type of operation: Service <input type="checkbox"/> <input type="checkbox"/>		Stamp	
Anticorrosion check: OK <input type="checkbox"/> Not OK* <input type="checkbox"/> *See specific page			

ANTICORROSION CHECK (1/6)

If the continuation of the warranty is subject to repair, it is indicated below.

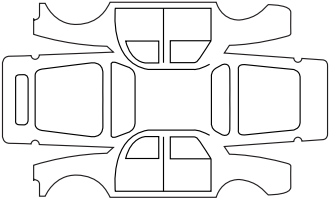
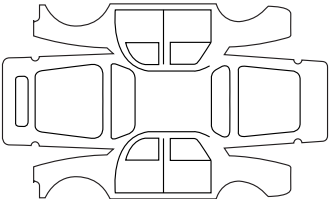
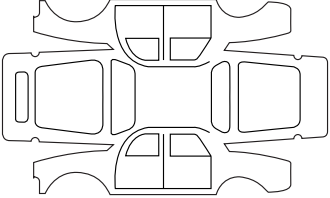
VIN:

Corrosion repair operation to be carried out:		
Corrosion repair operation to be carried out:		Stamp
Date of repair:		
Repair to be carried out:		
Repair to be carried out:		Stamp
Date of repair:		
Repair to be carried out:		
Repair to be carried out:		Stamp
Date of repair:		

ANTICORROSION CHECK (2/6)

If the continuation of the warranty is subject to repair, it is indicated below.

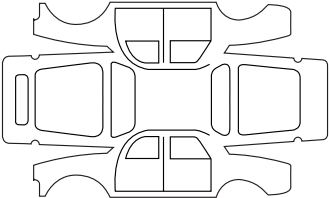
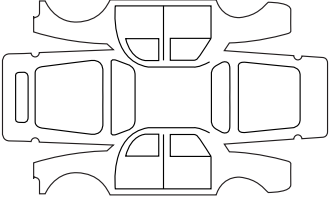
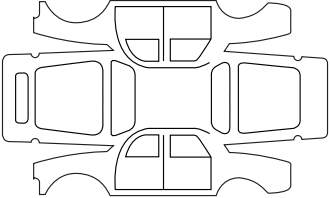
VIN:

Corrosion repair operation to be carried out:		
Corrosion repair operation to be carried out:		Stamp
Date of repair:		
Repair to be carried out:		
Repair to be carried out:		Stamp
Date of repair:		
Repair to be carried out:		
Repair to be carried out:		Stamp
Date of repair:		

ANTICORROSION CHECK (3/6)

If the continuation of the warranty is subject to repair, it is indicated below.

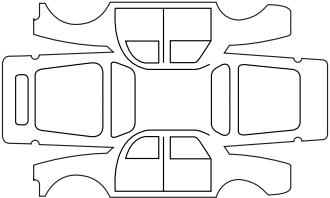
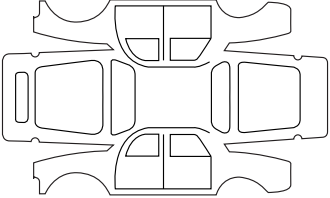
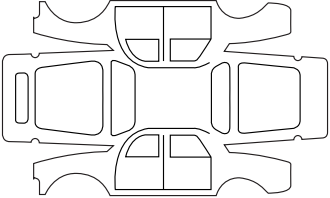
VIN:

Corrosion repair operation to be carried out:		Stamp
Date of repair:		
Repair to be carried out:		Stamp
Date of repair:		
Repair to be carried out:		Stamp
Date of repair:		

ANTICORROSION CHECK (4/6)

If the continuation of the warranty is subject to repair, it is indicated below.

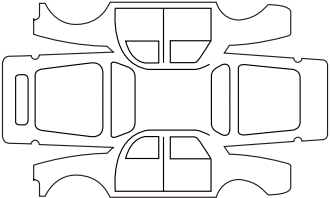
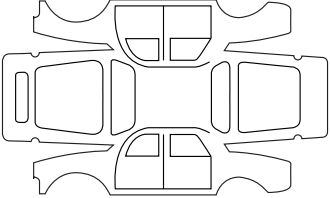
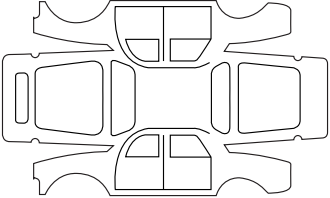
VIN:

Corrosion repair operation to be carried out:		Stamp
Date of repair:		
Repair to be carried out:		Stamp
Date of repair:		
Repair to be carried out:		Stamp
Date of repair:		

ANTICORROSION CHECK (5/6)

If the continuation of the warranty is subject to repair, it is indicated below.

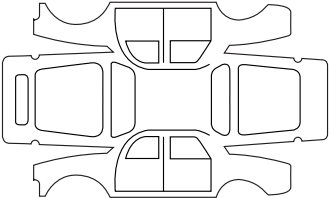
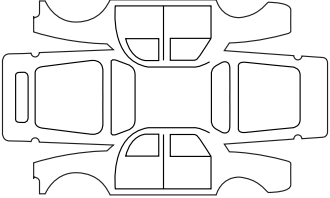
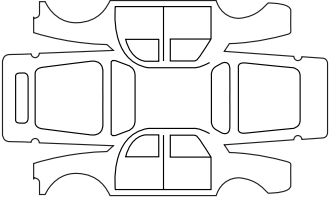
VIN:

Corrosion repair operation to be carried out:		
Corrosion repair operation to be carried out:		Stamp
Date of repair:		
Repair to be carried out:		
Repair to be carried out:		Stamp
Date of repair:		
Repair to be carried out:		
Repair to be carried out:		Stamp
Date of repair:		

ANTICORROSION CHECK (6/6)

If the continuation of the warranty is subject to repair, it is indicated below.

VIN:

Corrosion repair operation to be carried out:		
Corrosion repair operation to be carried out:		Stamp
Date of repair:		
Repair to be carried out:		
Repair to be carried out:		Stamp
Date of repair:		
Repair to be carried out:		
Repair to be carried out:		Stamp
Date of repair:		

ALPHABETICAL INDEX (1/5)

A

ABS	2.17 – 2.18
accessories	5.35
accessories socket	3.28
additional methods of restraint	1.35
side protection	1.34
to the front seat belts	1.29 → 1.32
to the rear seat belts	1.33
adjusting your driving position	1.20 → 1.23, 1.25 → 1.28, 3.29
advice on antipollution	2.13 → 2.15
air bag	1.29 → 1.35
activating the front passenger air bags	1.50
deactivating the front passenger air bags	1.48
air conditioning	3.4 → 3.16
air vents	3.2 – 3.3
anti-corrosion check	6.15 → 6.20
anti-corrosion protection	4.13
anti-lock braking system: ABS	2.17 – 2.18
antipollution	
advice	2.13
ashtray	3.28
audible and visual signals	1.51
automatic gearbox (use)	2.31 → 2.33
automatic gearbox selector lever	2.31 → 2.33

B

battery	4.12, 5.28 → 5.31
battery (remote control)	5.32
bonnet	4.2 – 4.3
brake fluid	4.9
bulbs	
changing	5.16 → 5.25

C

catalytic converter	2.9
central door locking	1.6, 1.9 → 1.12, 1.15 → 1.18

changing a bulb	5.16 → 5.25
changing a wheel	5.11 – 5.12
changing gear	2.31 → 2.33
child restraint/seat	1.36 – 1.37, 1.39 → 1.48
child safety	1.2 – 1.3, 1.11, 1.13 – 1.14, 1.32, 1.36 – 1.37, 1.39 → 1.48, 2.5, 3.17 → 3.19
child seats	1.36 – 1.37, 1.39 → 1.47
children	1.2 – 1.3, 1.7, 1.11, 1.13 – 1.14, 1.36 – 1.37, 3.17 → 3.20
cigar lighter	3.28
clock	1.73 – 1.74
closing the doors	1.13 → 1.18
control instruments	1.56 → 1.65, 1.73 – 1.74
controls	1.52 → 1.55
courtesy light	3.23, 5.24
courtesy mirrors	3.22
cruise control	2.27 → 2.30
cruise control-speed limiter	2.24 → 2.30

D

dashboard	1.52 → 1.55
deadlocking the doors	1.6, 1.12
demisting	
rear screen	3.4, 3.13
windscreen	3.5, 3.14
dimensions	6.4 – 6.5
dipstick	4.5
doors/tailgate	1.2 → 1.18
driver's position	1.52 → 1.59
driving	2.2, 2.4 → 2.11, 2.13 → 2.15, 2.17 → 2.35
driving position	
settings	1.25 → 1.28

E

electric windows	3.17 → 3.19
Electronic Stability Program: ESP	2.19 – 2.20

ALPHABETICAL INDEX (2/5)

emergency brake assist.....	2.23
emergency braking.....	2.23
emergency key.....	1.8
emergency spare wheel.....	5.2 → 5.5
engine	
technical specifications.....	6.6
engine coolant.....	4.8
engine immobiliser.....	1.19
engine oil.....	4.4 – 4.5
engine oil level.....	4.4 – 4.5
engine specifications.....	6.6
engine start/stop button.....	2.3 → 2.8
environment.....	2.16
ESP: Electronic Stability Program.....	2.19 – 2.20
external temperature.....	1.74

F

faults	
operating faults.....	5.41 → 5.48
filter	
air filter.....	4.10
diesel filter.....	4.10
particle filter.....	2.11
passenger compartment filter.....	4.10
fitting a radio.....	5.34
fittings.....	3.24 → 3.27
fog lights.....	1.81, 5.19
front passenger air bag deactivation.....	1.48
front seat adjustment.....	1.22 – 1.23
front seats	
adjustment.....	1.22 – 1.23, 1.25
fuel	
advice on fuel economy.....	2.13
filling.....	1.86 – 1.87
grade.....	1.86 – 1.87
fuel economy.....	2.13 → 2.15

fuel filler cap.....	1.86 – 1.87
fuel level.....	1.56 → 1.60
fuel tank	
capacity.....	1.86
fuel tank capacity.....	1.86 – 1.87
fuses.....	5.26 – 5.27

G

gear lever.....	2.12
glove box.....	3.26

H

handbrake.....	2.12
hands-free telephone integrated control.....	3.42
hazard warning lights signal.....	1.51
headlight beam adjustment.....	1.82
headrest.....	1.20 – 1.21, 3.29
heated seats.....	1.22
heated windscreen.....	3.8 → 3.15
heating and air conditioning system.....	3.4 → 3.16
heating system.....	3.4 → 3.16
horn.....	1.51
hubcap tool.....	5.9 – 5.10

I

ignition switch.....	2.3
indicator lights.....	5.23
indicators.....	1.51, 5.16 → 5.18, 5.20 → 5.23
indicators:	
direction indicators.....	1.51
instrument panel.....	1.56 → 1.65
instrument panel.....	1.56 → 1.65
instrument panel messages.....	1.63 → 1.65
interior trim	
maintenance.....	4.15 – 4.16
Isofix.....	1.39 – 1.40

ALPHABETICAL INDEX (3/5)

- J**
jack 5.9
- K**
keys 1.2 → 1.5
- L**
levels 4.8 → 4.10
levels:
 brake fluid 4.9
 coolant 4.8
 windscreen washer reservoir 4.10
lifting the vehicle
 changing a wheel 5.11 – 5.12
lighting:
 exterior 1.51, 1.77 → 1.82
 instrument panel 1.77
 interior 3.23, 5.24 – 5.25
 see-me-home 1.78
lights
 additional 5.19
 adjustment 1.82
 changing bulbs 5.16 → 5.18
 fog lights 5.19
 front 5.16 → 5.19
 mobile directional 1.79
lights:
 adjusting 1.82
 brake lights 5.20 → 5.23
 dipped beam headlights 1.78, 5.16 → 5.18
 direction indicators 1.51, 5.16 → 5.18, 5.20
 fog lights 1.81, 5.19 – 5.20
 hazard warning 1.51
 main beam headlights 1.79, 5.16
 number plate lights 5.23
 reversing lights 5.20
 side lights 1.77, 5.16 → 5.18, 5.20
 lights-on warning buzzer 1.13, 1.80
 load permitted on the roof 6.7
 locking the doors 1.2 → 1.18
 luggage retaining net 3.38 – 3.39
- M**
maintenance:
 bodywork 4.13 – 4.14
 interior trim 4.15 – 4.16
 mechanical 4.4 – 4.5, 4.12, 6.9 → 6.14
 mileage before service 6.9 → 6.14
map reading lights 3.23
methods of restraint in addition to the seat belts ... 1.29 → 1.35
multimedia equipment 5.34
- O**
opening the doors 1.13 → 1.17
operating faults 5.41 → 5.48
- P**
paintwork
 maintenance 4.13 – 4.14
parking distance control 2.34 – 2.35
power-assisted steering 1.24
puncture 5.2 → 5.5, 5.9
- R**
rear bench seat 3.30 – 3.31
rear parcel shelf 3.32
rear seats 1.27
 functions 3.30 – 3.31
rear view mirrors 1.75 – 1.76
RENAULT ANTI-INTRUDER DEVICE (RAID) 1.18
RENAULT card
 battery 5.33

ALPHABETICAL INDEX (4/5)

use	1.7 → 1.12, 2.5 → 2.8
RENAULT card battery	5.33
replacement parts	6.8
reverse gear	
selecting	2.12
reversing sensor	2.34 – 2.35
roof bars	3.40 – 3.41
roof rack	
roof bars	3.40 – 3.41
running in	2.2

S

seat belt pretensioners	
front seat belt	1.29 → 1.32
seat belts	1.25 → 1.28
service sheets	6.9 → 6.14
signals and lights	1.51, 1.77 → 1.82
speakers	
location	5.34
special features of diesel vehicles with particle filter	2.11
special features of diesel versions	2.10
special features of petrol vehicles	2.9
speed limiter	2.24 → 2.26
starting the engine	2.3 → 2.7
steering wheel	
adjustment	1.24
stopping the engine	2.4 → 2.8
storage compartment	3.24 → 3.27
storage compartments	3.24 → 3.27
sun visor	3.22
sunroof	3.20 – 3.21
switching on the vehicle ignition	2.3, 2.7

T

tailgate	3.32, 3.35 → 3.37
----------------	-------------------

tanks and reservoirs	
brake fluid	4.9
coolant	4.8
tanks and reservoirs:	
windscreen washer	4.10
technical specifications	6.4 → 6.8
temperature regulation	3.4 → 3.16
tool kit	5.9
towing	
breakdown	5.38 → 5.40
towing a caravan	5.40
towing equipment	5.40
towing a caravan	6.7
towing equipment	
fitting	5.40
towing hitch	5.9, 5.38 → 5.40
towing rings	3.35 – 3.36
towing weights	6.7
traction control: ASR	2.21 – 2.22
transporting children	1.36 – 1.37, 1.39 → 1.48
transporting objects	
in the luggage compartment	3.37
luggage net	3.38 – 3.39
on the roof	6.7
trims	5.10
trip computer and warning system	1.63 → 1.65
tyre inflation kit	5.6 → 5.8
tyre pressure	5.14
tyres	5.13 → 5.15

U

unlocking the doors	1.15 → 1.17
---------------------------	-------------

V

variable power-assisted steering	1.24
ventilation	3.2 → 3.16

ALPHABETICAL INDEX (5/5)

W

warning buzzer	1.61
warning lights.....	1.56 → 1.65
washing	4.13 – 4.14
weights	6.7
wheelbrace	5.9
wheels (safety)	5.13 → 5.15
windscreen washer.....	1.83 → 1.85
wiper blades	5.36 – 5.37
wipers	1.83 → 1.85
blades	5.36 – 5.37

(www.e-guide.renault.com)

RENAULT S.A.S. SOCIÉTÉ PAR ACTIONS SIMPLIFIÉE AU CAPITAL DE 533 941 113 € / 13-15, QUAI LE GALLO
92100 BOULOGNE-BILLANCOURT R.C.S. NANTERRE 780 129 987 — SIRET 780 129 987 03591 / TÉL. : 0810 40 50 60

NU 853-8 – 99 91 090 23R – 03/2012 – Edition anglaise



9 9 9 1 0 9 0 2 3 R

WA