

ASSEMBLY INSTRUCTIONS

Ask Moms Who Know™



Drop Side Crib

Adult assembly required. Small parts may present prior to assembly.

Enclosed please find simple step-by-step instructions to help you quickly assemble your product. Before you begin we recommend that you follow the steps below:

1. Please read the instructions thoroughly
2. Identify all parts and hardware, and
3. You will need the following tools:
 Philips Head screw driver
 Flat head screw driver
 Hammer.

To protect your parts during assembly please place them on a soft surface. To clean surface use only water on a damp cloth. Do not use window cleaners or cleaning abrasives as it will scratch the surface and could damage the protective coating.

PARTS LIST

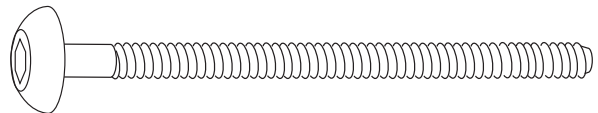
REF.	PART NAME	QUANTITY
A.	Crib Ends(Up)	2
B.	Crib Ends(Bottom)	2
C.	Rear legs	2
D.	Front legs	2
E.	Fixed side	1
F.	Dropside rail	1
G.	Bottom Stretcher	1
H.	Metal Spring support platform	1
I.	2-3/4" Bolt	12
J.	2" Bolt	6
K.	3/4" Bolt	4
L.	Barrel Nuts	14
M.	Allen Wrench	1
N.	Wood Dowel	10
O.	Casters	4
P.	Block brakes	2
Q.	Decorative Ball	2

Model shown is example only.
 Styles may vary.

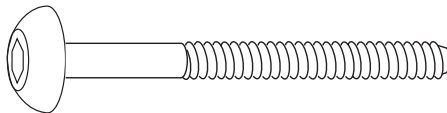


HARDWARE AND TOOLS DIAGRAM

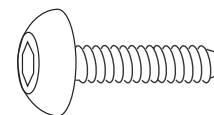
ⓐ 2-3/4" Bolt



ⓑ 2" Bolt



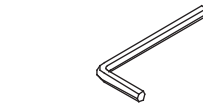
ⓒ 3/4" Bolt



ⓓ Barrel Nuts



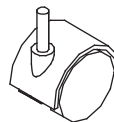
ⓔ Allen Wrench



ⓕ Wood Dowel



ⓖ Casters



ⓗ Block brake



ⓘ Decorative ball



PRINTED IN CHINA

Furniture Care Instructions

Room Climate Control

Wood, when first cut contains more than 50 percent water. When it is prepared for furniture construction it is placed in a Kiln and the moisture content is brought down to 8 to 10 percent. Wood is porous and responds to its environment. If the room has high humidity it will absorb it and expand and if the humidity is low it will lose moisture and shrink.

It is important that the humidity levels in the room be controlled from extremes of too much humidity or too little. Furniture should not be placed close to air-conditioning outlets, fire places, radiators, space heaters, humidifiers or dehumidifiers. Exposure to extreme variations of temperature and humidity can damage any fine wood product.

The Ideal Environment for Fine Furniture

Fine wood furniture will have fewer problems when its environment is controlled at a temperature between 65 and 75 degrees and a relative humidity between 35 and 40 percent. Wood placed in an environment out side of those limits can and will shrink or expand and may develop some small cracks which are not material or structural defects.

Sticking Doors and Drawers

With the minor changes in temperature and humidity doors and drawers may swell and be difficult to open or close. Tolerances have been built into the units but extreme conditions may still cause sticking. This will adjust back to normal over time but until it does consider using a dehumidifier or rub candle wax or paraffin on the sides that stick.

Avoid Direct Sunlight

Keep the furniture out of direct sunlight. Ultraviolet rays will fade colors and in some cases darken them. It can also cause crazing or hair line cracks in the finish. White finishes will yellow naturally over time and exposure to direct sunlight will hasten this natural process along with some woods darkening naturally over time; this is not considered to be a quality defect.

Proper Storage

If you need to put your furniture in storage for any period of time do not store them in a damp basement or hot dry attic. Allow air movement around the furniture and do not stack anything on it.

In General

- Protect furniture surface from hot or extremely cold items.
- Use coasters under hot or cold beverages
- Do not use synthetic fabric under accessories or lamps
- Protect tops from pens, markers and crayons
- Oils from potpourri and other scented items can damage the furniture finish.
- Do not drag items across the surface of the furniture.
- Allow the surface to breath by rotating your accessories and lamps.
- Do not over polish the furniture, do it only two or three times a year. Over polishing can distort the natural finish of the product.
- Do not wax the furniture as wax build up can destroy the natural finish of the product.
- When moving furniture always lift the unit. Do not push or drag it to avoid damage to legs
- Keep the furniture level so doors and drawers open and close freely.
- Clean with a damp, not wet, cloth. Use only a mild soap. Do not use abrasive cleaners.

STOP

**IF YOU EXPERIENCE ANY
ISSUES WITH THIS PRODUCT**

**BEFORE YOU
RETURN THIS TO
THE RETAILER**

**PLEASE FOLLOW
PROCEDURES ON THE
REVERSE SIDE OF THIS FORM.**

Product Assistance Procedures

You have purchased a quality piece of furniture. Our international team has spent many hours designing and engineering this piece and packaging to ensure you will be satisfied with your purchase. But if for any reason you need help with your purchase please contact us at any time.

Procedures to follow should you have any questions:

For best and most timely service please contact us by e-mail at info@lajobi.com

Please provide the following information in your e-mail.

1. Your Name _____
2. Address _____

3. Phone number _____
4. Place and date of purchase _____

5. Item number and description of your product. _____

The item number can be found on the back of the case or on the foot/headboard of the crib. Please include all numbers found on that label including the PO# and production date.

6. Short description of the issues and attach a photo if possible.

Someone will contact you via e-mail or phone to help you with your issues.

If you do not have internet access, please fax the above information to 609-409-5809

If you do not have internet or fax access, please call us at 888-266-2848 and be sure to have all the above information ready to give to your Client Service Specialist.

WARNING!

- FAILURE TO FOLLOW THESE WARNINGS AND ASSEMBLY INSTRUCTIONS COULD RESULT IN SERIOUS INJURY OR DEATH.
- READ ALL INSTRUCTIONS BEFORE ASSEMBLING CRIB. **KEEP INSTRUCTIONS FOR FUTURE USE.**
- **UPON COMPLETION OF ASSEMBLY BE SURE ALL SCREWS, BOLTS AND FASTENING DEVICES HAVE BEEN SECURELY TIGHTENED. A FREQUENT CHECK SHOULD BE MADE.**
- BEFORE EACH USAGE OR ASSEMBLY, INSPECT CRIB FOR DAMAGED HARDWARE, LOOSE JOINTS, MISSING OR BROKEN PARTS AND SHARP EDGES. DO NOT USE THIS CRIB IF ANY PARTS ARE MISSING OR BROKEN. ASK YOUR DEALER OR WRITE TO LAJOBI INDUSTRIES, INC, 257 PROSPECT PLAINS ROAD, CRANBURY, NJ 08512. FOR REPLACEMENT PARTS AND INSTRUCTIONAL LITERATURE IF NEEDED. DO NOT SUBSTITUTE PARTS OF ANY KIND.
- AFTER RAISING SIDE, MAKE SURE LATCHES ARE SECURE.
- WHEN THE CHILD IS ABLE TO CLIMB OUT OR REACHES THE HEIGHT OF 35 INCHES (90 CENTIMETERS), THE CRIB SHALL NO LONGER BE USED. THE CHILD SHOULD BE PLACED IN A YOUTH BED OR TODDLER BED.
- DO NOT PLACE CRIB NEAR WINDOW WHERE CORDS FROM BLINDS OR DRAPES MAY STRANGLE A CHILD.
- IF REFINISHING, USE A NON-TOXIC FINISH SPECIFIED FOR CHILDREN'S PRODUCTS.
- DO NOT LEAVE CHILD IN CRIB WHEN SIDE IS LOWERED. BE SURE SIDE IS IN RAISED AND LOCKED POSITION WHENEVER CHILD IS IN CRIB.
- WHEN CHILD IS ABLE TO PULL TO STANDING POSITION, SET MATTRESS TO LOWEST POSITION AND REMOVE BUMPER PADS, LARGE TOYS AND OTHER OBJECTS THAT COULD SERVE AS STEPS FOR CLIMBING OUT.
- NEVER USE PLASTIC SHIPPING BAGS OR ANY PLASTIC FILM AS MATTRESS COVERS, BECAUSE THEY CAN CAUSE SUFFOCATION.
- ANY MATTRESS USED IN THIS CRIB MUST BE AT LEAST 27-1/4 INCHES (69 CENTIMETERS) BY 51-5/8 INCHES (131 CENTIMETERS), WITH A THICKNESS NOT EXCEEDING 6 INCHES (15 CENTIMETERS), THE DIMENSIONS OF THE MATTRESS SHALL BE TAKEN FROM SEAM TO SEAM OR EDGE TO EDGE WHERE APPROPRIATE.
- DO NOT USE A WATER MATTRESS WITH THIS CRIB.

- WARNING. STRINGS CAUSE STRANGULATION! DO NOT PLACE ITEMS WITH A STRING AROUND A CHILD'S NECK, SUCH AS HOOD STRINGS OR PACIFIER CORDS. DO NOT SUSPEND STRINGS OVER A CRIB OR ATTACH STRINGS TO TOYS.
- WHEN STORING CRIB USE CAUTION AS EXTREME CHANGES IN TEMPERATURE OR HUMIDITY CAN COMPROMISE THE CRIB MAKING IT EXTREMELY DANGEROUS TO YOUR CHILD.
- USE CAUTION WHEN A VAPORIZER OR HUMIDIFIER IS IN USE. ALWAYS AIM VAPOR AWAY FROM THE CRIB AS WELL AS ANY OTHER WOODEN FURNITURE. PROLONGED PERIODS OF HUMIDITY IN STORAGE AS WELL AS THE HOME CAN COMPROMISE THE CRIB.
- AVOID USING VAPORIZERS AND HUMIDIFIERS FOR PROLONGED PERIODS OF TIME.

Crib Assembly

Step 1

Attach the Front legs(D) & Rear legs(C) to the crib ends Bottom (B) using wood dowels(N) & 2 3/4" Bolts(I) & Barrel nuts(L). See Figure 1.

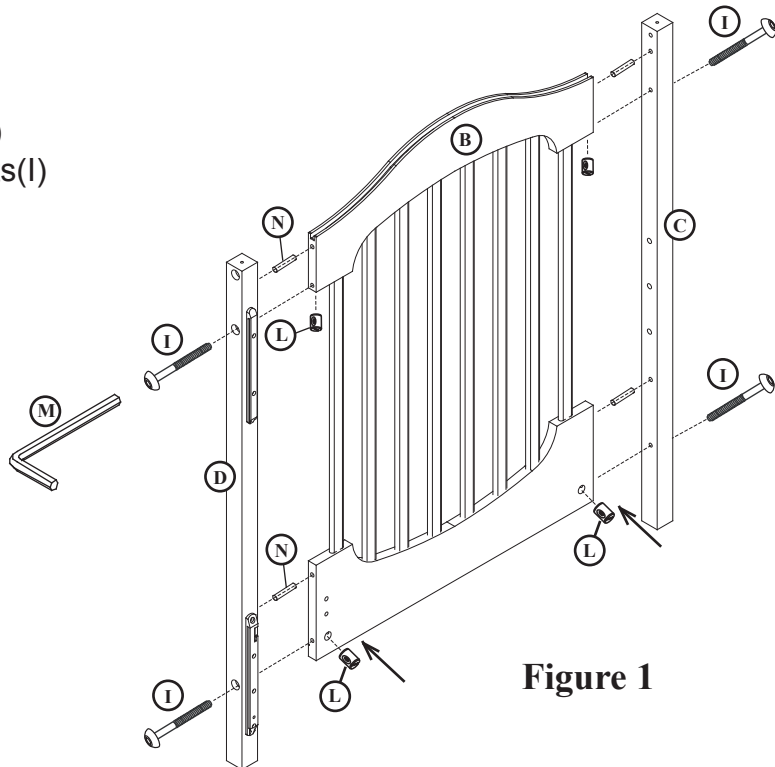


Figure 1

Model shown is example only.
Styles may vary.

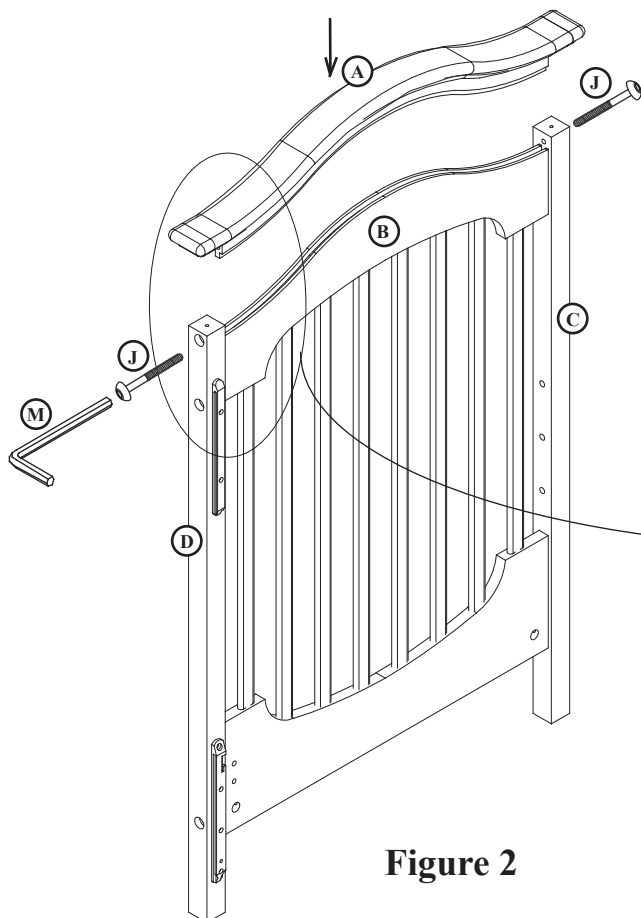


Figure 2

Step 2

Insert the tenon of the Crib ends up(A) into the slots of Crib ends bottom(B), then insert the 2" bolts(J), through the legs into the threaded insets onto the crib ends up (A) as shown in Figure 2A.

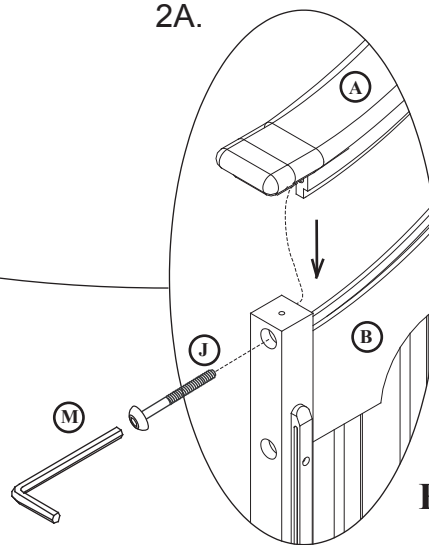


Figure 2A

Model shown is example only.
Styles may vary.

Step 3

Attach fixed side to the crib ends using 2 3/4" bolts(I) & barrel nuts(L). See Figure 3.

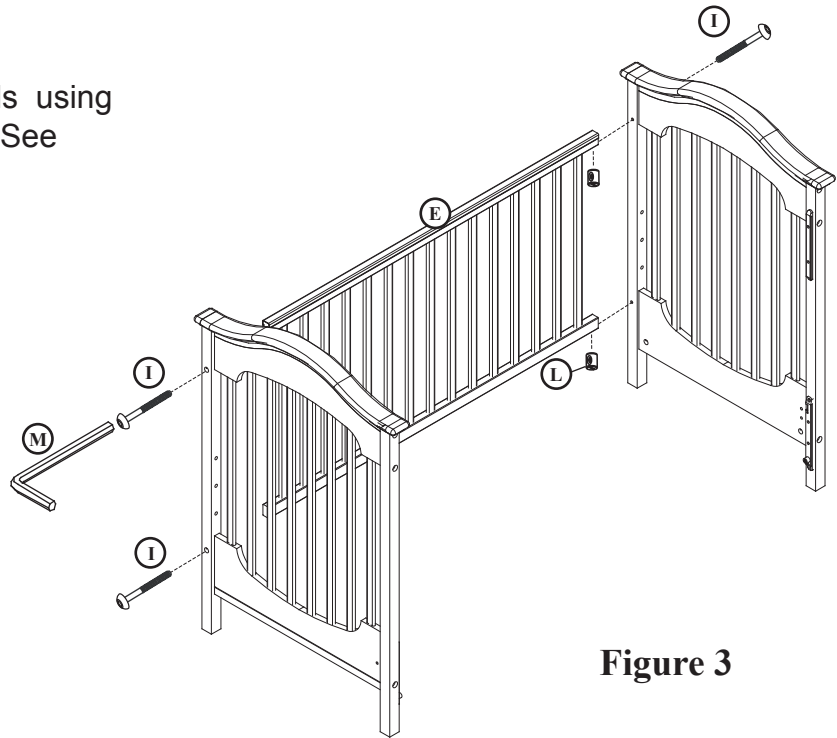


Figure 3

Model shown is example only. Styles may vary.

Model shown is example only. Styles may vary.

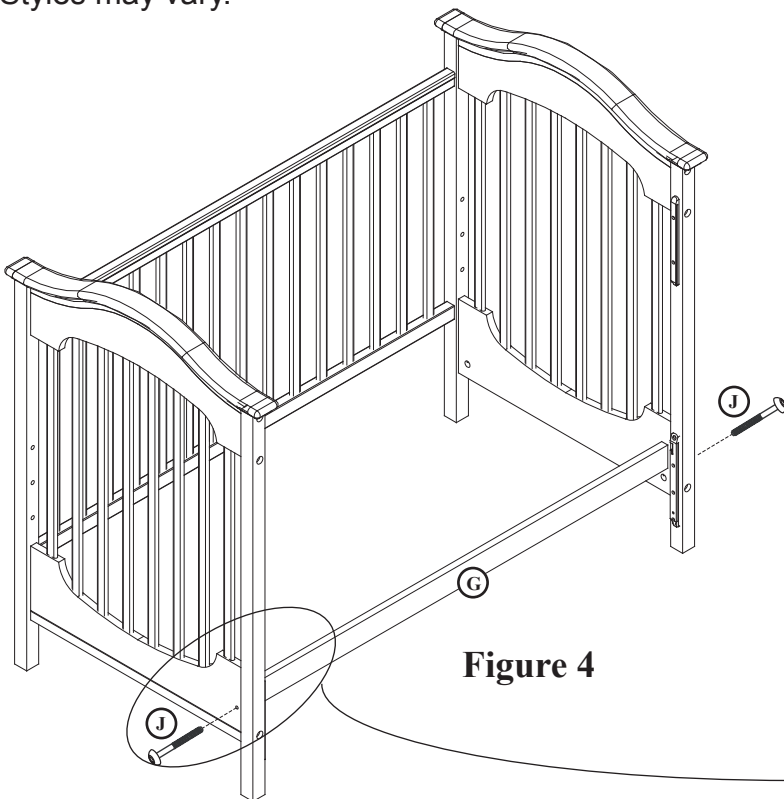


Figure 4

Step 4

Attach the bottom stretcher(G) to the crib ends using wood dowels (N) & 2" bolts (J) & barrel nuts(L) as shown in the Figure 4A.

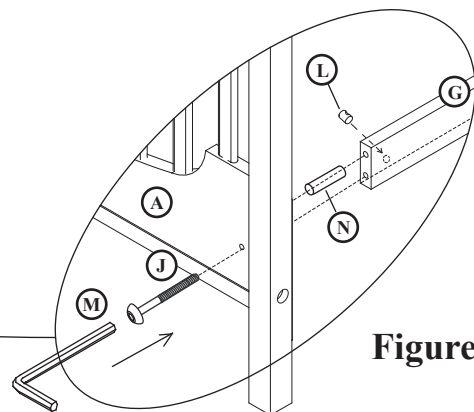


Figure 4A

Step 5

Locate the metal spring (H) with tabs. Be sure the smooth side of metal spring is paced upward. Position the tabs of metal spring to mount to selected position onto the legs. Insert the 3/4" bolts(K), through the tabs and into thread insets onto the legs, then tighten securely with Allen wrench(M) See the Figure 5A.

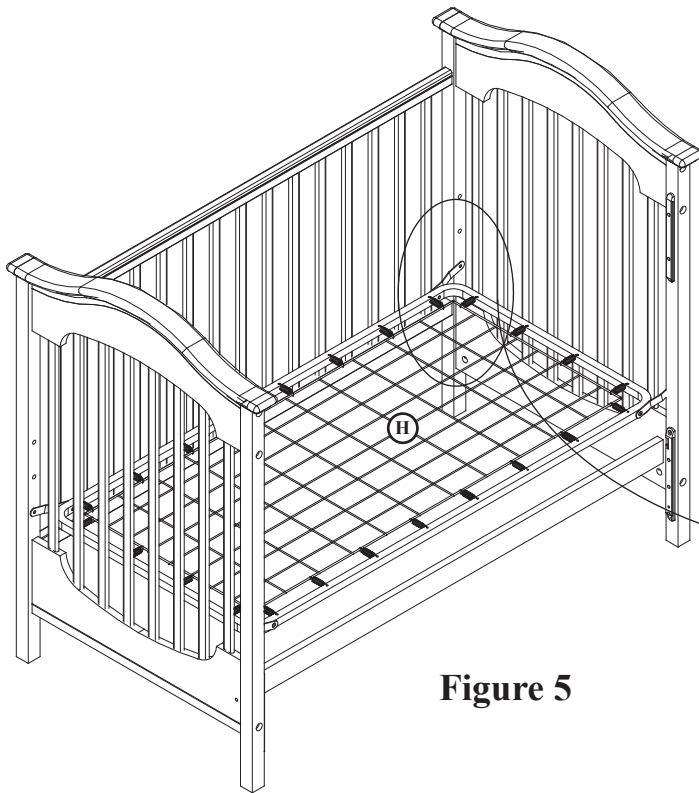


Figure 5

Model shown is example only.
Styles may vary.

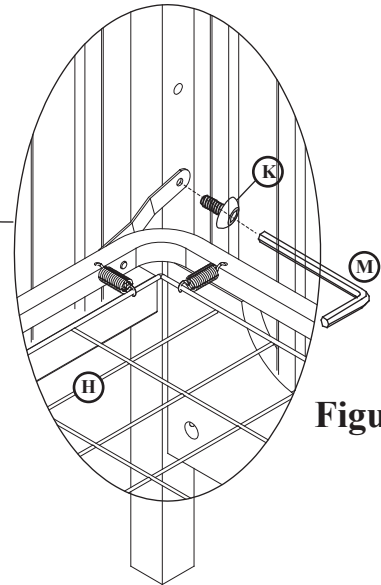


Figure 5A

Model shown is example only.
Styles may vary.

Step 6

Attach the dropside rail (F) to cribs ends as shown in Figure 6, pull the drop rail up to the highest position Figure 6A. Screw the block brakes (P) into the holes provided in the lower plastic drop track as shown in Figure 6B, tighten block brakes with a Philips screwdriver.

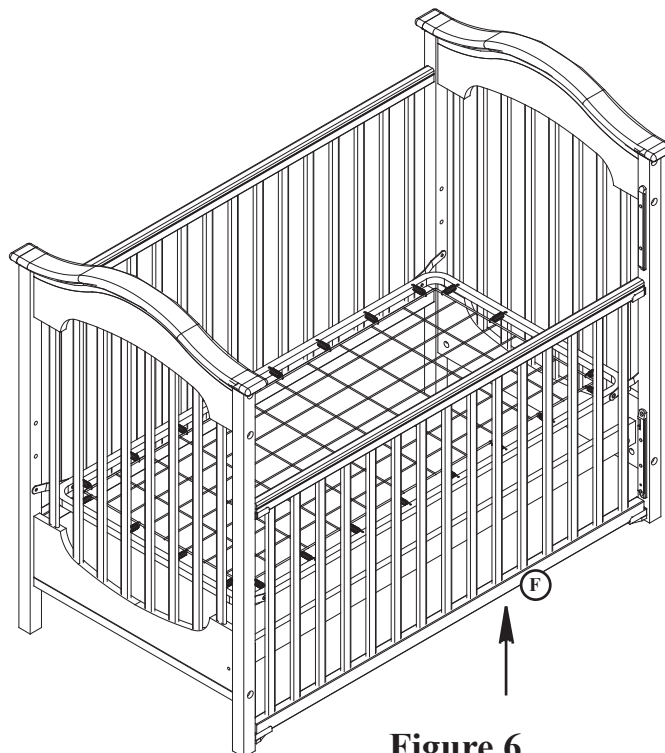


Figure 6

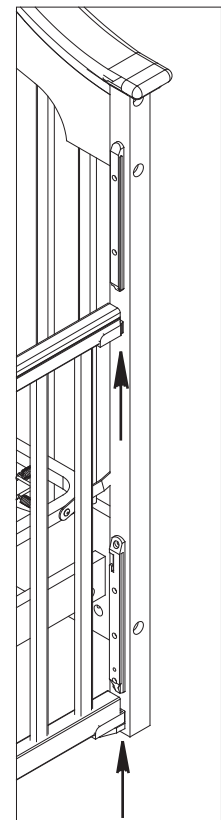
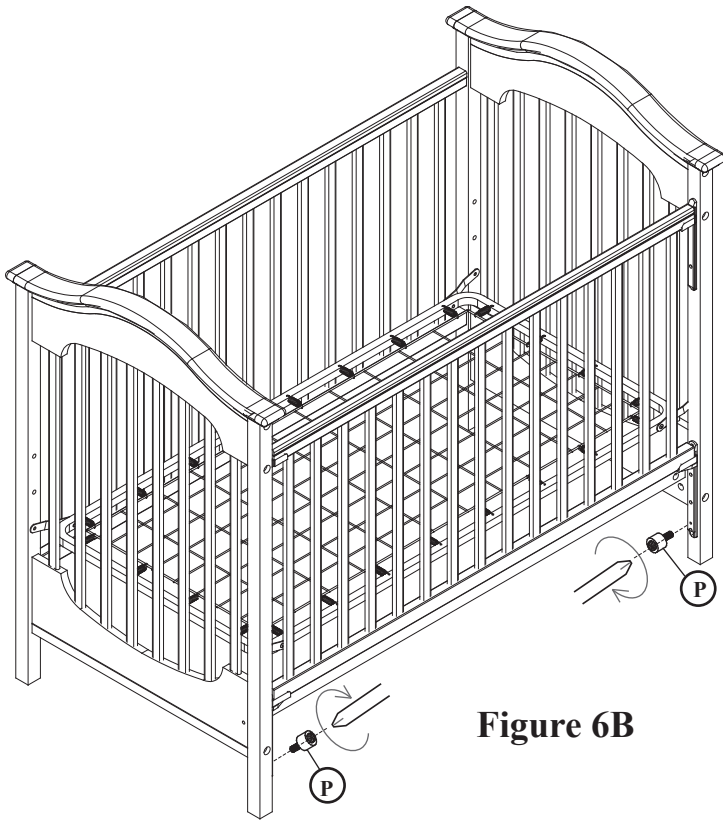


Figure 6A

PRINTED IN CHINA



Model shown is example only.
Styles may vary.

Figure 6B

Step 7

Insert the casters (O) as shown in Figure 7 and tighten all bolts. Inspect the crib to make sure it is assembled correctly and all bolts are tight.

Model shown is example only.
Styles may vary.

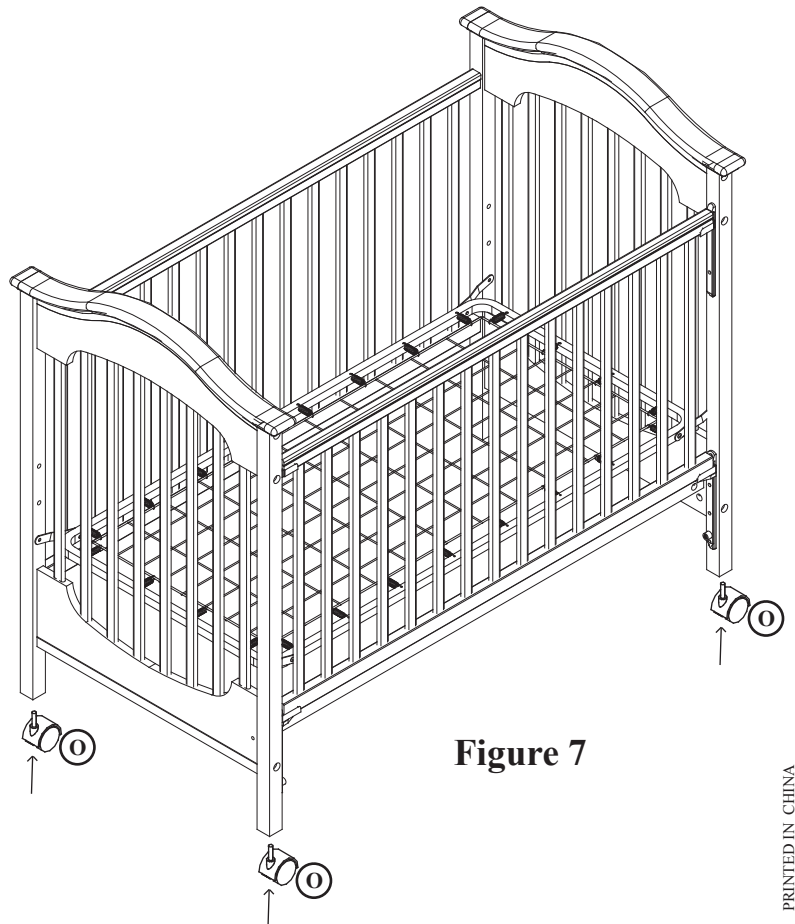
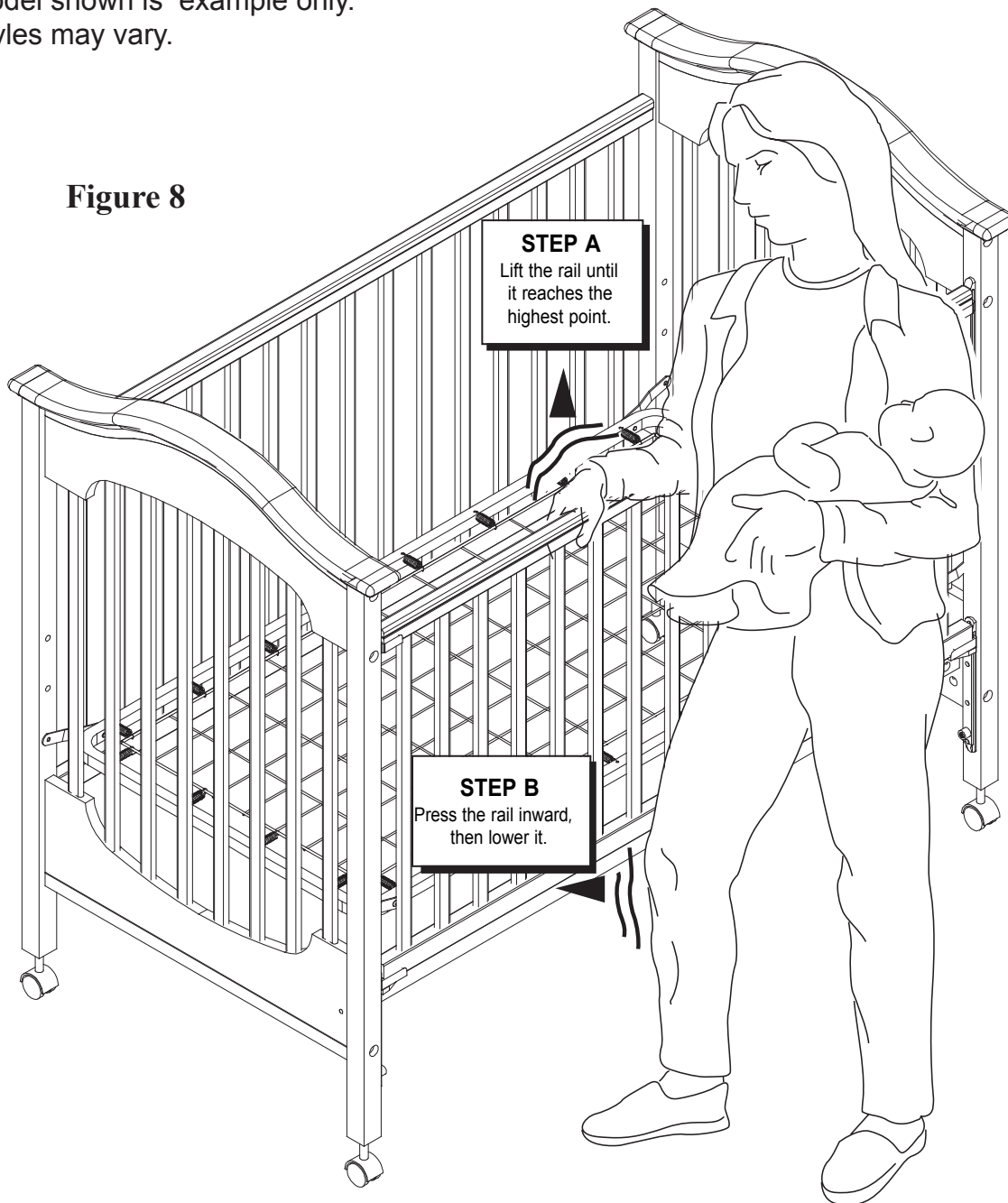


Figure 7

Model shown is example only.
Styles may vary.

Figure 8



To lower the drop side

Lift by holding the top of the rail in the center. Lift until the drop-side reaches its highest point. Using your shin or knee, press the bottom center of dropside inward, then lower it.

To raise the dropside

Lift the dropside in the center when the dropside is at its highest point, lower it a little and it will lock into place.

Always verify that both ends of the dropside are locked in the raised position whenever a child is placed in the crib. Only lower the side when removing the child from the crib.

Converting Crib to a Toddler/Day bed

You have the option to convert crib to a Toddler/Day bed. Simply follow step 6 in reverse order and unscrew the block brakes and remove the dropside. See the figure 9A and figure 9.

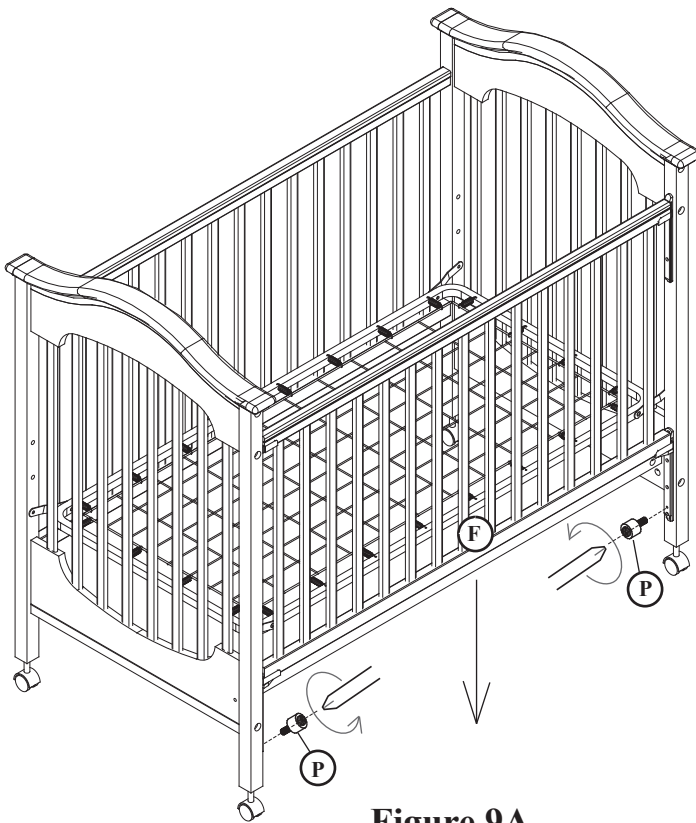


Figure 9A

Model shown is example only.
Styles may vary.

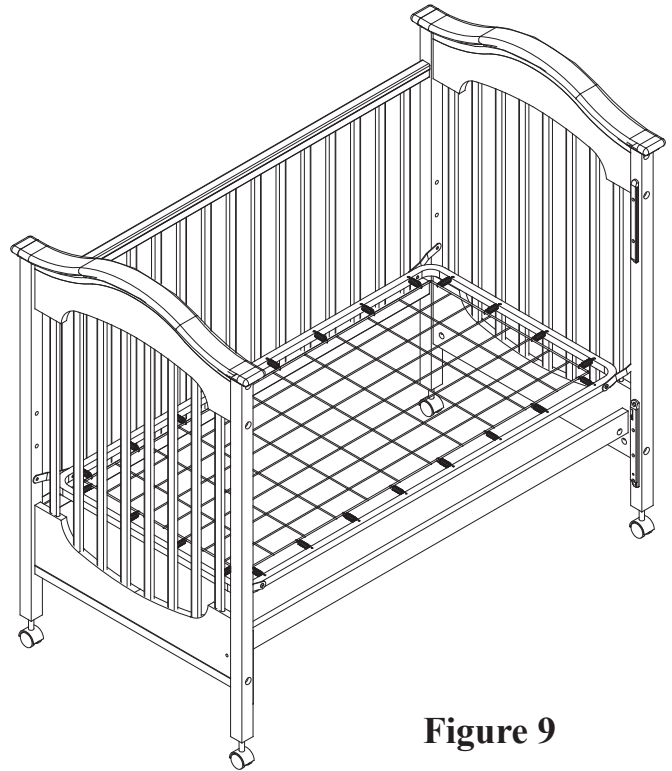


Figure 9

WARNING! FOR TODDLER BED USE

- Failure to follow these warnings and assembly instructions could result in serious injury or death from entrapment or strangulation.
- DO NOT place bed near windows where cords from blinds or drapes may strangle a child.
- The mattress intended for use on the bed shall be a full-size crib mattress having the dimensions of 51 5/8 in. (1310mm) in length and 27 1/4 in. (690mm) in width and thickness of 4 in. (100mm) or a greater thickness as specified by the manufacturer.
- The minimum age of the intended user shall not be less than 15 months and the maximum weight shall not be greater than 50 Lbs. (22.7Kg).

Converting Crib to a Full Size Bed

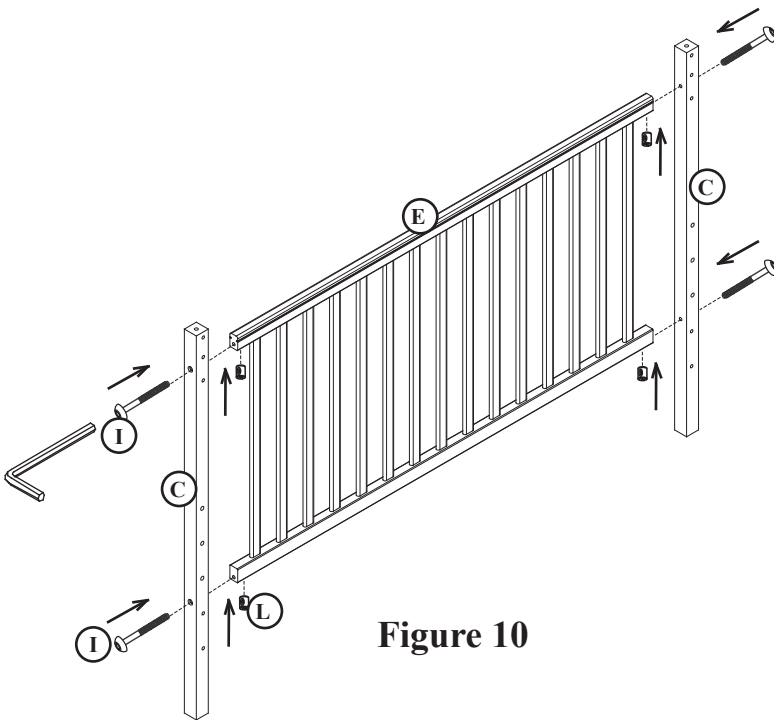


Figure 10

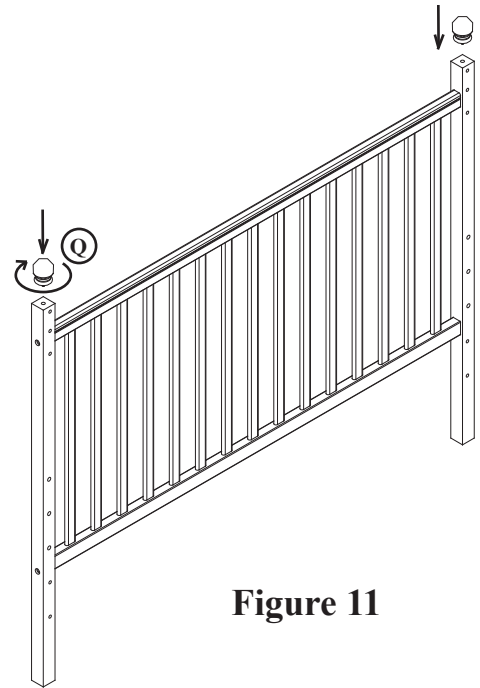


Figure 11

Model shown is example only.
Styles may vary.

You have the option to convert crib to a Full size Bed. Simply follow steps in reverse order to deattach the crib , Then attach the rear legs(C) to the fixed side(E) as shown in Figure 10, and screw the decorative ball(Q) to the top of each rear leg as shown in Figure 11.

Stand headboard up as shown in Figure 12, attach it to a full size metal bed frame(**NOT INCLUDE**) to convert a full size bed.

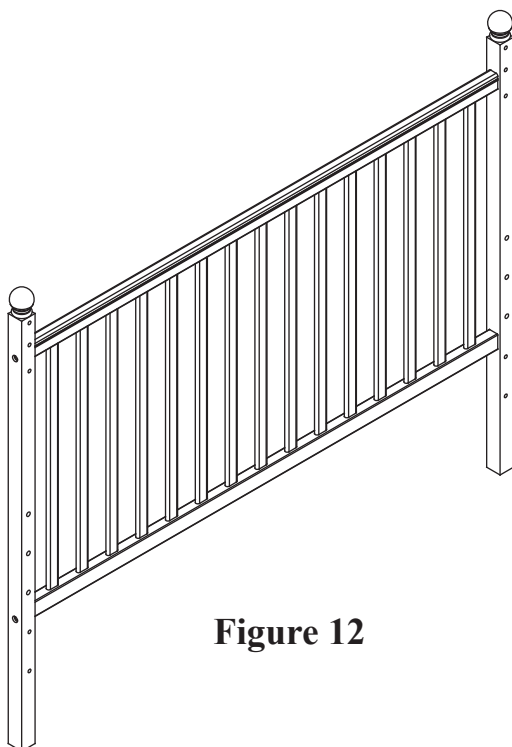


Figure 12