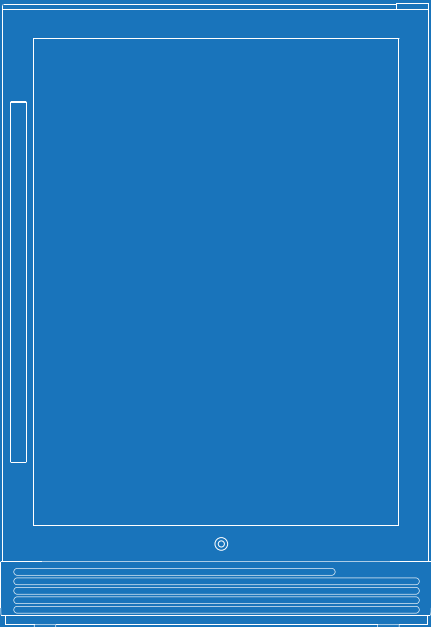


# Dual-Zone Wine Cooler

home™  
homelabs.com

43 Bottle Capacity

HME030368N



Thank you for selecting our quality appliance. Please be sure to read this user manual carefully before using. Any question, please contact the professional service for help.

**BEFORE FIRST USE:**

To prevent any internal damage, it is very important to keep refrigeration units (like this one) upright throughout their journey. Please leave it standing upright and outside the box for **24 HOURS** before plugging it in.

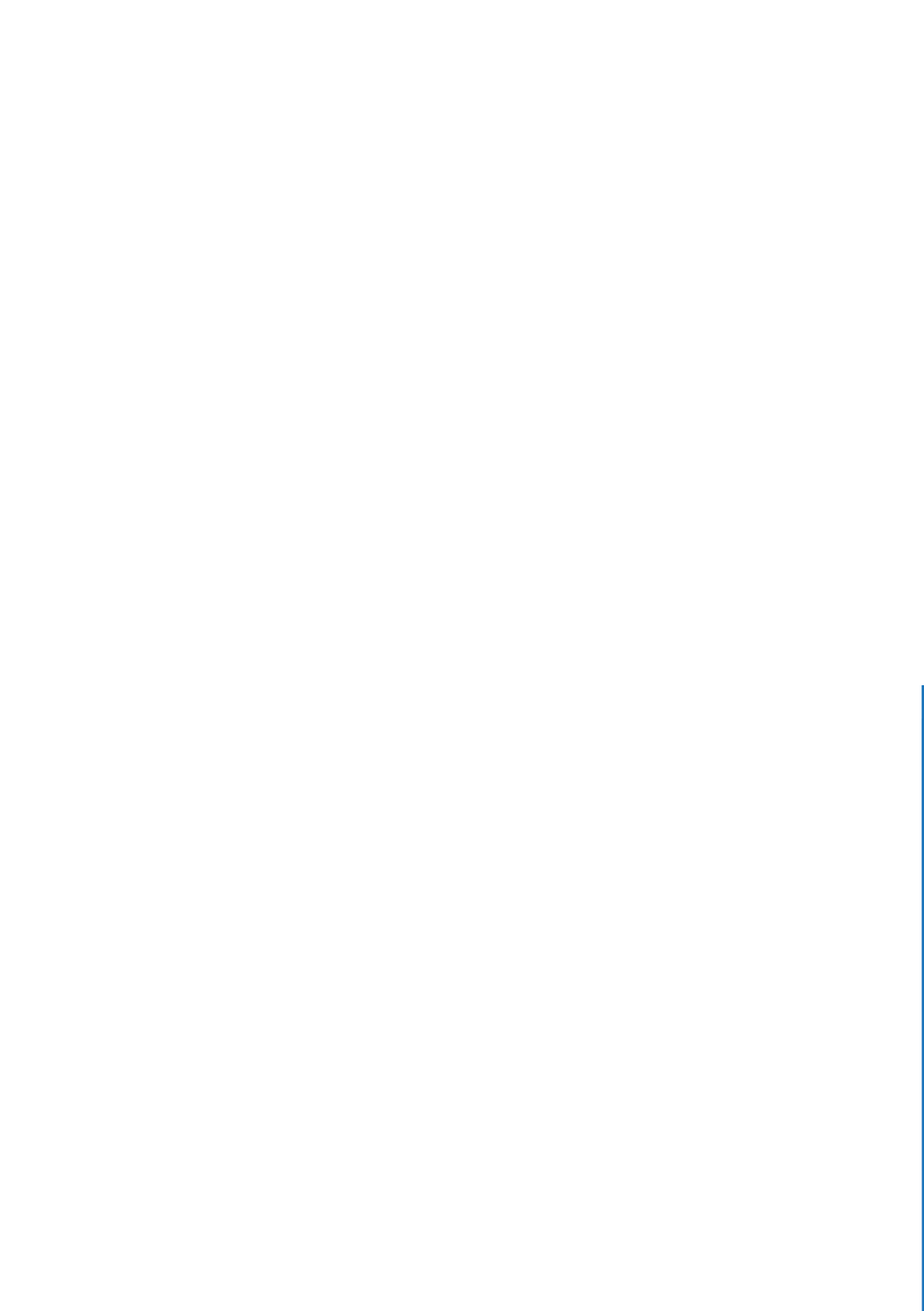
---

In the event this product malfunctions or customer believes it is defective, the customer should contact Customer Service and retain the defective product pending further instructions. Defective product should be clearly marked or stored where it cannot be used again by mistake. Failure to retain the product may impede hOme™'s ability to correct any legitimate problem and may limit the extent to which hOme™ may provide recourse.

---

## TABLE OF CONTENTS

Important Safety Instructions	6-9
Operating Instructions	10-15
Cleaning and Maintenance	16
Troubleshooting	17
Warranty	18
Manufacturing Info	18
Warning	18
Contact Us	18



# Congratulations

on bringing home your new appliance!



Don't forget to register your product at [homelabs.com/reg](https://www.homelabs.com/reg) for updates, coupons, and other relevant information.

Although greatly appreciated, product registration is not required to activate any warranty.

# Important Safety Instructions

---



Warning: risk of fire /flammable materials

This appliance is intended to be used in household and similar applications such as staff kitchen areas in shops, offices and other working environments; farm houses and by clients in hotels, motels and other residential type environments; bed and breakfast type environments; catering and similar non-retail applications.

This appliance is not intended for use by persons (including children) with reduced physical, sensory or mental capabilities, or lack of experience and knowledge, unless they have been given supervision or instruction concerning use of the appliance by a person responsible for their safety.)

If the supply cord is damaged, it must be replaced by the manufacturer, its service agent or similarly qualified persons in order to avoid a hazard.

**Do not** store explosive substances such as aerosol cans with a flammable propellant in this appliance. The appliance has to be unplugged after use and before carrying out user maintenance on the appliance.

## WARNING

- Keep ventilation openings, in the appliance enclosure or in the built-in structure, clear of obstruction.
- **Do not** use mechanical devices or other means to accelerate the defrosting process, other than those recommended by the manufacturer.
- **Do not** damage the refrigerant circuit.
- **Do not** use electrical appliances inside the food storage compartments of the appliance, unless they are of the type recommended by the manufacturer.
- Please abandon the refrigerator according to local regulators for its use of flammable blowing gas and refrigerant.
- When positioning the appliance, ensure the supply cord is not trapped or damaged.
- **Do not** locate multiple portable socket-outlets or portable power supplies at the rear of the appliance.
- **Do not** use extension cords or ungrounded (two prong) adapters.

## DANGER

Risk of child entrapment. Before you throw away your old refrigerator or freezer:

- Take off the doors.
- Leave the shelves in place so that children may not easily climb inside.

The refrigerator must be disconnected from the source of electrical supply before attempting the installation of accessory.

REFRIGERANT and cyclopentane foaming material used for the appliance are flammable. Therefore, when the appliance is scrapped, it shall be kept away from any fire source and be recovered by a special recovering company with corresponding qualification other than be disposed by combustion, so as to prevent damage to the environment or any other harm.

CHILDREN should be supervised to ensure that they do not play with the appliance.

# Important Safety Instructions

---

## **WARNING**

- To avoid a hazard due to instability of the appliance, it must be fixed in accordance with the instructions.

TO Prevent A Child From Being Entrapped, Keep Out Of Reach Of Children And Not In The Vicinity Of Freezer (Or Refrigerator).” (Suitable for products with locks)

## **MEANING OF SAFETY WARNING SYMBOLS**



**Prohibition symbols**

The symbols indicate prohibited matters, and those behaviors are forbidden. Non-compliance with the instructions may result in product damages and endanger the personal safety of users.

---



**Warning symbols**

The symbols indicate matters that must be followed, and those behaviors must be strictly executed in line with the operation requirements. Non-compliance with the instructions may result in product damages and endanger the personal safety of users.

---



**Note symbols**

The symbols indicate matters to pay attention to, and these behaviors shall be specially noted. Due precautions are needed or minor or moderate injuries or damages of the product will be caused.

This manual contains lots of important safety information which shall be observed by the users.

## **ELECTRICITY RELATED WARNINGS**

- Do not pull the power cord when pulling the power plug of the cooler. Please firmly grasp the plug and pull out it from the socket directly.
- Do not damage the power cord under any condition so as to ensure safety use, do not use when the power cord is damaged or the plug is worn.
- Worn or damaged power cord shall be replaced in manufacture-authorized maintenance stations.
- The power cord should be firmly contacted with the socket or else fires might be caused. Please ensure that the grounding electrode of the power socket is equipped with a reliable grounding line.
- Please turn off the valve of the leaking gas and then open the doors and windows in case of leakage of gas and other flammable gases. Do not unplug the cooler and other electrical appliances considering that spark may cause a fire.
- To ensure safety, it is not recommended that to place socket, regulators, rice cookers, microwave ovens and other appliances at the top of the cooler, those recommended by the manufacture are not included. Do not use electrical appliances in the food pantry.

# Important Safety Instructions

---

## RELATED WARNINGS FOR USE

- Do not arbitrarily disassemble or reconstruct the cooler, nor damage the refrigerant circuit; maintenance of the appliance must be conducted by a specialist.
- Damaged power cord must be replaced by the manufacturer, its maintenance department or related professionals in order to avoid danger.
- The gaps between cooler door and cooler body are small, be noted not to put your hand in these areas to prevent from squeezing the finger. Please be gentle when close or open the cooler door to avoid falling articles.

## RELATED WARNINGS FOR USE

- Do not give package and other components to children to play. The bending board and plastic film may lead to suffocation! Do not allow children to enter or climb the cooler to prevent that children are sealed in the cooler or children are injured by the falling cooler.
- Do not spray or wash the cooler; do not put the cooler in moist places easy to be splashed with water so as not to affect the electrical insulation properties of the cooler.
- Do not use cooler body, cooler door, etc. as pedal or support.
- Do not place heavy objects on the top of the cooler considering that objects may fall when open or close the door, and accidental injuries might be caused.
- Please pull out of the plug in case of power failure or cleaning. Do not connect the cooler to power supply within five minutes to prevent **damages to the compressor due to successive starts**.

## WARNINGS RELATED TO PLACING ITEMS

- Do not put flammable, explosive, volatile and highly corrosive items in the cooler to prevent damages to the product or fire accidents.
- Do not place flammable items near the cooler to avoid fires.
- This product is household cooler and this equipment can only be used for the storage of wine. According to the standard requirements, household cooler shall not be used for other purposes, such as storage of blood, drugs or biological products.

## WARNINGS FOR ENERGY

1. Cooler might not operate consistently when sited for an extended period of time below the cold end of the range of temperatures for which the cooler appliance is designed.
2. The need to not exceed the storage time(s) recommended by the wine manufacturers for any kind of wine.
3. The precautions necessary to prevent an undue rise in the temperature of the wine while defrosting the cooler.
4. The fact that a rise in temperature of the wine during manual defrosting, maintenance or cleaning could shorten the storage life.
5. The necessity that, for doors or lids fitted with locks and keys, the keys be kept out of the reach of children and not in the vicinity of the cooler appliance, in order to prevent children from being locking inside.



# Important Safety Instructions

---

## WARNINGS RELATED TO DISPOSAL



Refrigerant and cyclopentane foaming material used for the cooler are flammable. Therefore, when the cooler is scrapped, it shall be kept away from any fire source and be recovered by a special recovering company with corresponding qualification other than be disposed by combustion, so as to **prevent damage to the environment or any other harm.**



When the cooler is scrapped, disassemble the doors, and remove gasket of door and shelves; put the doors and shelves in a proper place, so as to prevent trapping of any child.



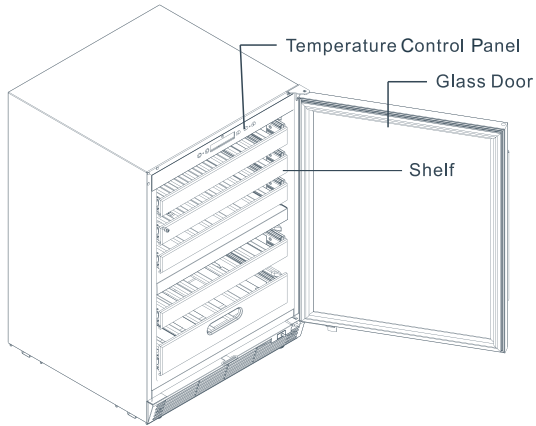
Correct Disposal of this product:

This marking indicates that this product should not be disposed with other household wastes throughout the EU. To prevent possible harm to the environment or human health from uncontrolled waste disposal, recycle it responsibly to promote the sustainable reuse of material resources. To return your used device, please use the return and collection systems or contact the retailer where the product was purchased. They can take this product for environmental safe recycling.

**SAVE THESE INSTRUCTIONS**  
For Household Use Only

# Operating Instructions

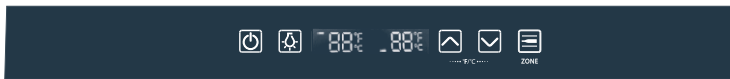
## NAMES OF COMPONENTS



The picture above is only for reference. The actual product will depend on the physical product or statement by the distributor.


- The temperature in the cooler is 41-64 °F , only used to store unopened bottled wine (red wine, white wine, rose wine).
- Do not place food in the cooler to prevent bacterial contamination.
- Keep the interior of the wine cabinet dry.

## TEMPERATURE CONTROL



 Standby button


 Light button

 Temperature display of upper zone

 Temperature display of lower zone

 Temperature increase button

 Temperature decrease button

 Conversion button of function of upper zone and lower zone

# Operating Instructions

---

## Display control

In the case of initial power-up, the whole screen will display relevant information for 3 seconds. You will hear the start-up sound, followed by normal operation display.

Digital display area displays the fault code in the case of failure and the set temperature in the case of normal operation.



This cooler can be controlled by gently touching buttons on the glass touch screen. The display panel should be prevented from scratching by sharp objects and kept away from high-intensity magnetic field and high-humidity environment; otherwise, normal setting and operation of the cooler may be affected.

## Standby function

Press the standby button for 5 seconds to access or exit the standby mode.



## Light

The internal lamp will light up when the cooler door is open, and will be off when the cooler door is closed.

You can also turn on or turn off the internal lamp by pressing the Light button. Once Light button is activated, when open the door, the internal lamp will not turn off.

## Temperature setting

- Temperature Adjustment

Press , the set temperature will increase by 1°F (°C). Press , the set temperature will decrease by 1°F (°C). The temperature setting range of upper zone and lower zone is 41-57°F (5-14°C) and 50-64°F (10-18°C) respectively. The cooler will start work 30 seconds after that temperature settings are finished.

- Conversion of Centigrade and Fahrenheit

Press both  and  for 5 seconds to switch between Centigrade and Fahrenheit.

- Limitation to Temperature Setting of Lower zone

The upper zone temperature should always be set lower than the upper zone temperature and should not exceed the range of 4-14°F. For example, if the upper zone temperature is 50°F, the lower zone temperature should be 54-64°F. And if the lower zone temperature is wrongly set, it will change to right temperature automatically.

## Error codes

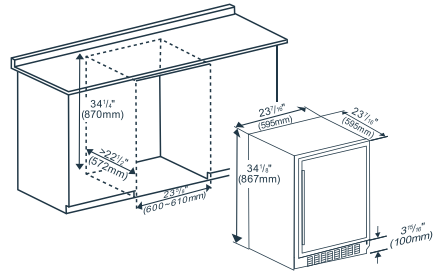
If the failure happens, the display area will show corresponding error codes as shown below. Contact a certified professional for maintenance.

Error code	Description
E1	Temperature sensor error of upper zone
E2	Temperature sensor error of lower zone
E6	Communication error
E9	High temperature alarm

# Operating Instructions

## PLACEMENT

- Before using the cooler, remove all packaging materials including bottom cushions and foam pads and tapes inside the cooler, tear off the protective film on the door and the cooler body.
- Avoid direct sunlight and heat sources such as stove, heating radiator, etc.
- The cooler is placed in a well ventilated indoor place; the ground shall be flat and sturdy (rotate left or right to adjust the feet for levelling if unstable).
- The height of the cooler is adjustable (34 1/8"-35" (867-890mm)).



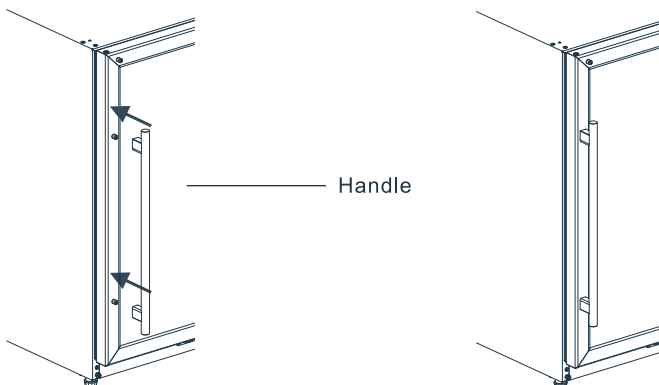
## START TO USE

- The cooler shall stay for 24 hours before connecting to power in the first use.
- Clean up the inner chamber before use for first time.
- Do not connect cooler to electronic energy saving plug and a converter that can convert DC into AC (E.g.: solar energy system, ship grid).
- Water drop or frost will be generated on the back side of cooler when compressor is running. Wiping out frost or water drop is not necessary. The defrosted water will be collected into drain tank, then flows into water disposal pan above the compressor.

## HANDLE INSTALLATION

Please choose the following handle installation instruction according to your actual needs.

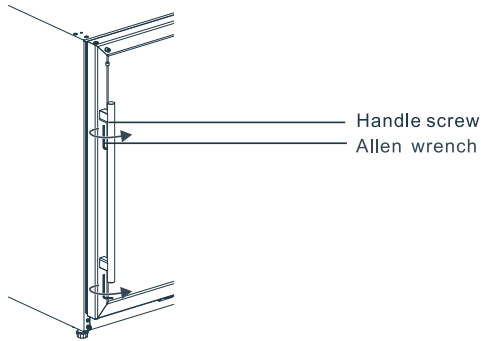
1. Put the handle on glass door through the two bolts.



# Operating Instructions

## HANDLE INSTALLATION (CONT.)

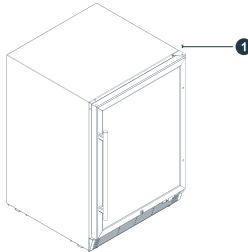
2. Use a wrench to fix the handle, make sure the screw hole is downward.



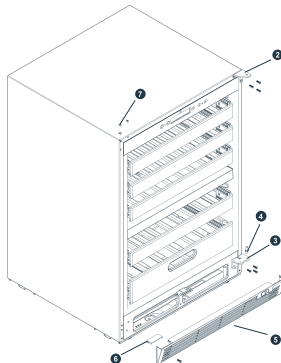
## REVERSING THE DOOR SWING

**Warning:** For the product and personnel safety, please ask for qualified persons with skills to reverse the door swing.

1. Remove the upper right hinge shaft (1) and remove the door body.



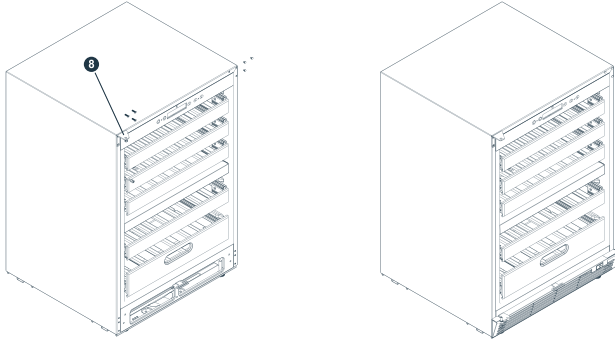
2. Remove the upper right hinge (2) and gently lift the door. Remove the lower hinge (3) and the lower hinge shaft (4), the air shield (5) and its insert (6) by removing the corresponding screws as below figure shows. Also remove the three plastic caps (7) on the left upper corner of the cabinet.



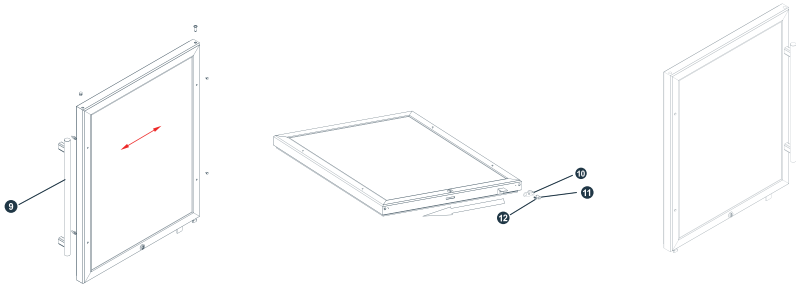
# Operating Instructions

## REVERSING THE DOOR SWING (CONT.)

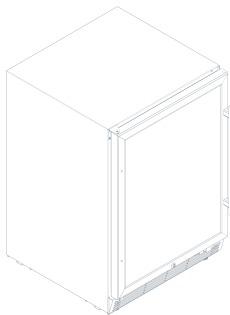
3. Take out the left upper hinge (8) from the package box and install it to the upper left corner of the cabinet. Install the left lower hinge shaft to the left hole of the left lower hinge. Install the left lower hinge to the cabinet. Install the air shield and its insert. Then install the three plastic caps removed from the left upper corner to the upper right corner.



4. Use a wrench to remove the door handle (9) from the left side and fix it to the right side. Fix the shaft hole cap to the left handle position. Remove the bottom support bracket (10) and install it to the other side. Install the lower hinge shaft (11), pay attention that the plastic anchor (12) should be inserted into the bottom support bracket first.



5. Install the door and fix the upper left hinge shaft (1).

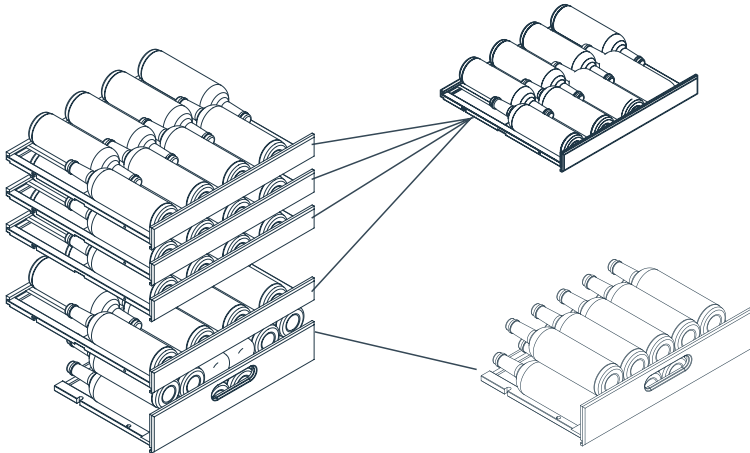
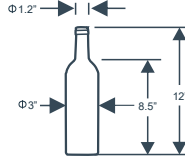


6. Complete the door change and store the unused upper right hinge.

# Operating Instructions

## THE ARRANGEMENT OF BOTTLES

- Do not let bottles touch the back side of cooler in order to maintain good air circulation in the cooler.
- The total number may be different as it depends on the shape and size of various bottles.
- The capacity for bottle storage in the wine cabinet is based on the following marked bottle size. Oversized bottle may have impact on the number of bottle storage in the wine cabinet.



## ENERGY SAVING TIPS

- The Cooler shall be placed in a room dry and ventilated. The cooler cannot be put under direct sunlight or next to heat source (Such as radiator, stove, etc.), and a suitable insulation board shall be applied if necessary.
- Shorten opening time of the cooler's door.

# Cleaning and Maintenance

---

If the cooler left unused for a long time, please:

1. Unplug the cooler;
2. Clean the cooler;
3. Keep the cooler door open.

## CLEAN THE COOLER

- Please turn off the power before cleaning, remove drinks or shelves, etc.
- Dust behind the cooler and on the ground shall be cleaned regularly to ensure the cooling and energy saving effect.
- Check the door gasket regularly to make sure there is no debris. Clean the door gasket with a soft cloth dampened with soapy water or diluted detergent.
- The interior of the cooler should be cleaned regularly to avoid odor.
- Use a soft cloth or sponge to clean the inside of the cooler, with two tablespoons of baking soda and a quart of warm water. Then rinse with water and dry with a soft cloth. After cleaning, open the door and let it dry naturally before turning on the power.
- For areas that are difficult to clean in the cooler (such as narrow sandwiches, gaps or corners), it is recommended to wipe them regularly with a soft rag, soft brush, etc. and when necessary, combined with some auxiliary tools (such as thin sticks) to ensure no contaminants or bacteria accumulation in these areas.
- Do not use soap, detergent, scrub powder, spray cleaner, etc., as these may cause odors in the interior of the cooler or contaminate food.
- Clean the shelves with a soft cloth dampened with soapy water or diluted detergent. Then rinse with water and dry with a soft cloth or dry naturally.
- The wooden wine rack should not be directly immersed in liquid to prevent cracking or mold after moisture. The wooden wine rack should be cleaned with a dry soft cloth. The heavily contaminated wooden wine rack should be cleaned with a soft cloth that has been wrung out, and dry naturally.
- Wipe the outer surface of the cooler with a soft cloth dampened with soap water, detergent, etc., and then wipe dry. Do not rub or scratch the surface of the glass door to prevent the door from being broken or scratched.
- Do not use hard brushes, clean steel balls, wire brushes, abrasives(such as toothpaste), organic solvents (such as alcohol, acetone, banana oil, etc.), boiling water, acid or alkaline items, which may damage the cooler surface and interior. Boiling water and organic solvents such as benzene may deform or damage plastic parts.
- Do not rinse directly with water or other liquids during cleaning to avoid short circuits or affect electrical insulation after immersion. Water should not soak the operating control elements and lighting system on the glass door.

### NOTE:

Do not use detergent and solvent with sand or acid to clean the cooler.



# Troubleshooting

PROBLEMS	SOLUTIONS
The cooler does not operate	The cooler is not plugged and connected to power. Low voltage. Temperature control knob is not in the working area. Failure in power or tripping circuit.
Long-term operation of compressor	It is normal that cooler operates for longer time to cool the wine in summer when the ambient temperature is high. Do not put too much wine bottles in the cooler at one time. Frequent opening of cooler door.
Illuminating light does not turn on	The cooler is not connected to power, or the indicator light is damaged.
Loud noises	Make sure the floor is flat, the placement of cooler is stable, and the cooler accessories are properly placed.
Cooler enclosure heat	The cooler enclosure may emit heat during running specially in summer. This is caused by the radiation of the condenser and is normal.
Condensation	Condensation will be detected on the exterior surface and door seals of the cooler when the ambient humidity is high. This is normal. Simply wipe with soft towel, and turns up the set temperature of the appliance properly.
Airflow sound Buzz	Refrigerants circulating in the refrigerant lines will generate sound and grunts. This is normal and will not affect the cooling effect. Buzz will be generated by running compressor specially when starting up or shutting down.

# Warranty

---

hOme™ offers a limited two-year warranty (“warranty period”) on all of our products purchased new and unused from hOme Technologies, LLC or an authorized reseller, with an original proof of purchase and where a defect has arisen, wholly or substantially, as a result of faulty manufacture, parts or workmanship during the warranty period. The warranty does not apply where damage is caused by other factors, including without limitation: (a) normal wear and tear; (b) abuse, mishandling, accident, or failure to follow operating instructions; (c) exposure to liquid or infiltration of foreign particles; (d) servicing or modifications of the product other than by hOme™; (e) commercial or non-household use.

The hOme™ warranty covers all costs related to restoring the proven defective product through repair or replacement of any defective part and necessary labor so that it conforms to its original specifications. A replacement product may be provided instead of repairing a defective product. hOme™’s exclusive obligation under this warranty is limited to such repair or replacement.

A receipt indicating the purchase date is required for any claim, so please keep all receipts in a safe place. We recommend that you register your product on our website, [homelabs.com/reg](http://homelabs.com/reg). Although greatly appreciated, the product registration is not required to activate any warranty and product registration does not eliminate the need for the original proof of purchase. The warranty becomes void if attempts at repair are made by non-authorized third parties and/or if spare parts, other than those provided by hOme™, are used. You may also arrange for service after the warranty expires at an additional cost.

These are our general terms for warranty service, but we always urge our customers to reach out to us with any issue, regardless of warranty terms. If you have an issue with a hOme™ product, please contact us at 1-800-898-3002, and we will do our best to resolve it for you.

This warranty gives you specific legal rights, and you may have other legal rights which vary from state to state, country to country or province to province. The customer may assert any such rights at their sole discretion.

# Manufacturing Info

---

This manual is to be used with all items with the model number

HME030368N

SKU# : HME030368N

Rated voltage/Frequency: 115V~ 60Hz 1.2A

# Warning

---

Keep all plastic bags away from children.

# Contact Us

---

 CHAT WITH US

**[homelabs.com/chat](http://homelabs.com/chat)**  
Mon–Fri 10AM–5PM EST

 CALL US

**1-(800)-898-3002**  
Mon–Fri 10AM–5PM EST

 EMAIL US

**[help@homelabs.com](mailto:help@homelabs.com)**  
Respond within twelve hours





For household  
Use Only

1-800-898-3002  
[help@homelabs.com](mailto:help@homelabs.com)  
[homelabs.com/help](http://homelabs.com/help)

© 2016 hOme Technologies, LLC  
37 East 18 Street, 7th Floor  
New York, NY 10003