

DuPont™ Tyvek®
Fluid Applied WB

DuPont™ Tyvek® Fluid Applied
Flashing and Joint Compound

DuPont™ Tyvek® Fluid Applied WB - Commercial Installation Guidelines

METHODS FOR SUPERIOR PROTECTION AGAINST
AIR AND WATER INTRUSION



Tyvek.

FLUID APPLIED WB

DuPont™ Tyvek® Fluid Applied Commercial System

DuPont™ Tyvek® Fluid Applied WB

DuPont™ Tyvek® Fluid Applied weather barrier (WB) is a vapor permeable, low VOC, single-component product with excellent elasticity and flexibility. It is easily applied in one coat and has extremely low shrinkage during curing.

DuPont™ Tyvek® Fluid Applied Flashing and Joint Compound

A full bodied, trowel applied, vapor permeable elastomeric flashing material. It is used to coat rough openings for windows and doors, to fill seams, cracks and holes in the substrate, to seal around penetrations and, to treat joints and transitions between building components.

DuPont™ Tyvek® Fluid Applied Flashing - Brush Formulation

A brush applied, vapor-permeable elastomeric flashing material used to coat rough openings for windows and doors.

DuPont™ Sealant for Tyvek® Fluid Applied System

A high quality, non-vapor permeable sealant specifically designed to work with the DuPont™ Tyvek® Fluid Applied system. DuPont™ Tyvek® Fluid Applied Sealant have excellent adhesion and elongation. It should be used to seal around window, doors, and penetrations.

DuPont™ StraightFlash™ and DuPont™ FlexWrap™ NF

Premium, durable, self-adhered window and door flashing materials made with DuPont™ Tyvek® and a 100% butyl-based adhesive layer.

DuPont™ Thru-Wall Flashing

Is a strong, 40 mil thick, self-adhesive composite membrane used for thru-wall flashing applications. It is composed of DuPont™ Elvaloy® polymer and polyester fiber reinforced thermoplastic.



Table of Contents

| | |
|---|----|
| Applicable Products | 3 |
| Recommended Primers..... | 3 |
| Weather Barrier and Energy Conservation Codes and Standards | 4 |
| Warranty Information..... | 4 |
| Special Considerations | 4 |
| Installation Instructions..... | 5 |
| Detailing..... | 6 |
| Foundation | 6 |
| Top of Wall | 6 |
| Transitions..... | 7 |
| Transitions to DuPont™ Tyvek® Building Wrap | 8 |
| Penetrations..... | 8 |
| Brick Ties, Cladding Supports, and Furring Strips | 9 |
| Application Over Sheathing | 9 |
| Joint Treatment Methods | 10 |
| Repair | 10 |
| Equipment Recommendations | 10 |
| Clean Up..... | 10 |
| Health and Safety | 10 |
| Disposal | 10 |
| Facade/Exterior Considerations | 11 |

Applicable Products

Fluid Applied Products

| PRODUCT | QUANTITY | COVERAGE* |
|---|-------------------------|--------------|
| DuPont™ Tyvek® Fluid Applied WB | 5 gal, 50 gal | 56–64 sf/gal |
| DuPont™ Tyvek® Fluid Applied Flashing and Joint Compound | 10.3 oz, 28 oz, 3.5 gal | 50–55 sf/gal |
| DuPont™ Tyvek® Fluid Applied Flashing - Brush Formulation | 10.3 oz, 28 oz, 3.5 gal | 50–55 sf/gal |
| DuPont™ Sealant for Tyvek® Fluid Applied System | 10.3 oz, 28 oz | N/A |

* Estimated surface coverage at 25 mils thick.

Installation Accessories

| PRODUCT | TYPE | QUANTITY |
|--------------------------|-------------------|----------------|
| DuPont™ Tyvek® Wrap Caps | 2" Wrap Cap Screw | 1,000 Caps/Box |

Self-Adhered Flashing Products

| PRODUCT | DIMENSIONS | AREA |
|----------------------------|---------------|-------------|
| DuPont™ FlexWrap™ NF | 6 in x 75 ft | 37.50 sq ft |
| | 9 in x 75 ft | 56.20 sq ft |
| DuPont™ StraightFlash™ | 4 in x 150 ft | 50 sq ft |
| | 9 in x 125 ft | 93.75 sq ft |
| DuPont™ Thru-Wall Flashing | 12 in x 75 ft | 75 sq ft |
| | 18 in x 75 ft | 112.5 sq ft |
| | 24 in x 75 ft | 150 sq ft |
| | 36 in x 75 ft | 225 sq ft |

DuPont Recommended Primers* (for self-adhered flashing)

| MANUFACTURER | PRODUCT NAME |
|--------------|-----------------------------|
| 3M | Hi-Strength 90** |
| Denso | Butyl Primer (spray or can) |
| Henkel | SIA 655 |
| Henkel | Permagrip® 105™ |

* Apply per manufacturers' guidelines. DuPont assumes no liability in use of recommended products; installers need to evaluate suitability of recommended products in their end-use applications.

**3M Hi-Strength 90 is recommended to be used with DuPont™ Tyvek® Fluid Applied products.

Weather Barrier & Energy Conservation Codes and Standards

The 2009 International Building Code (Section 1403.2 Weather Protection) requires that exterior walls shall provide the building with a weather resistant exterior wall envelope. The exterior wall envelope shall include flashing, as described in Section 1405.3. DuPont™ Tyvek® Fluid Applied Weather Barrier System products have been tested to the following standards.

- ASTM E 331 Standard Test Method for Water Penetration of Exterior Windows, Skylights, Doors, and Curtain Walls by Uniform Static Pressure
- ASTM E 2178 Standard Test Method for Air Permeance of Building Materials
- ASTM E 2357 Standard Test Method for Determining Air Leakage of Air Barrier Assemblies
- ASTM E 283 Standard Test Method for Determining Rate of Air Leakage Through Exterior Windows, Curtain Walls and Doors Under Specified Pressure Differences Across the Specimen.

Energy Conservation Codes for commercial buildings are being adopted in many regions across the U.S. DuPont™ Tyvek® Fluid Applied Weather Barrier System products meet the following codes and guidelines.

- Proposed ASHRAE 90.1 Model Energy Code air barrier requirements
- Minnesota Commercial Energy Code, Section 1323.0543, Section 5.4.3
- Massachusetts State Building Code 780 CMR 120.AA
- Wisconsin Building Code, Energy Conservation, Chapter Comm 63
- Michigan Building Code
- Rhode Island Building Code
- Georgia Building Code
- Florida Building Code

Warranty Information

If interested in reviewing warranty coverage, please see DuPont™ Tyvek® Fluid Applied products 10 Year limited warranty at www.Weatherization.Tyvek.com.

Special Considerations

1. Suitable substrates include concrete masonry unit (CMU), concrete, exterior gypsum, OSB, plywood, wood, treated wood and metal.
2. Tyvek® Fluid Applied products can be applied to damp surfaces. A surface is considered damp if there is no visible water on the surface and no transfer of water to the skin when touched.
3. Tyvek® Fluid Applied products are designed for above grade application and should not be installed below grade.
4. Tyvek® Fluid Applied products should be applied when air and surface temperatures are between 25°F – 100°F.
5. Skin time of fluid applied product is 1-2 hrs. at 70°F and 50% RH. Wait 24 hrs. between coats of Fluid applied product and before applying facade.
6. Unopened fluid applied product should be stored at temperatures between 50°F – 80°F.
7. Opened pails of fluid applied product should be covered with plastic to slow cure rate.
8. DuPont requires that fluid applied product be covered within 9 months of installation.
9. DuPont self-adhered flashing products perform best when air and surface temperatures are above 25°F (–4°C).
10. A recommended primer is required when applying DuPont Self-Adhered Flashing products on concrete, masonry, and fiber faced exterior gypsum board substrates. Priming is generally not required for adhering DuPont Self-Adhered Flashing products to wood. However, adverse weather conditions or colder temperatures may require a primer to promote adhesion. Priming is not required when applying DuPont™ Tyvek® Fluid Applied products, except when applying onto cut edges of exterior gypsum sheathing.
11. DuPont™ Thru-Wall Flashing should be protected from any physical damage at the job site.
12. DuPont™ Thru-Wall Flashings optimum storage temperature is 50°F to 90°F. Freeze-thaw durable. Storage temperatures should not exceed 120°F.
13. Thru-Wall Flashing can be applied with an air and surface temperature of 32°F or higher.
14. Thru-Wall Flashing should not be applied to moist or damp surfaces.
15. DuPont™ Corners and DuPont™ End Dams are recommended as a best practice to be used with DuPont™ Thru-Wall Flashing. Alternate suppliers of corners and end dams can be used if they meet the design and performance intent of the building.

For additional guidance, please call 1-800-44-Tyvek (800-448-9835), visit our website at www.Weatherization.Tyvek.com, or consult your local DuPont™ Tyvek® Specialist.

Installation Instructions

STEP 1: PREPARATION

Clean substrate by removing any material that may affect the adhesion of DuPont™ Tyvek® Fluid Applied products, such as frost, oil, grease, mold and efflorescence. Remove all dust, dirt and loose mortar from the substrate using a trowel and brush. DuPont™ Tyvek® Fluid Applied WB can be applied to damp masonry.

STEP 2: FLASHING

2A. Install DuPont™ Thru-Wall flashing at the base of the wall, shelf angles and heads of windows as necessary.

2B. Install DuPont™ Tyvek® Fluid Applied Flashing or DuPont™ Self-Adhered Flashing around windows and doors.

Note: As a best practice DuPont recommends that all self-adhered flashing products be installed prior to the application of Tyvek® Fluid Applied WB. All fluid applied and self-adhered flashing should be installed in accordance with the Fluid Applied Flashing – Commercial Installation Guidelines.

STEP 3: DETAILING

3A. Fill all cracks and voids in masonry up to ¼" with DuPont™ Tyvek® Fluid Applied Flashing and Joint Compound. Voids larger than ¼" should be filled flush with mortar and allowed to cure.

3B. Seal around all penetrations using Tyvek® Fluid Applied Flashing and Joint Compound or Sealant for Tyvek® Fluid Applied System. The fillet bead should extend ½" onto both surfaces (see page 8 for detail).

3C. As a best practice DuPont recommends that all embedded masonry anchors be treated by applying a coat of Tyvek® Fluid Applied WB or Fluid Applied Flashing and Joint Compound around the base of the anchor (see page 9 for additional fastening recommendations).

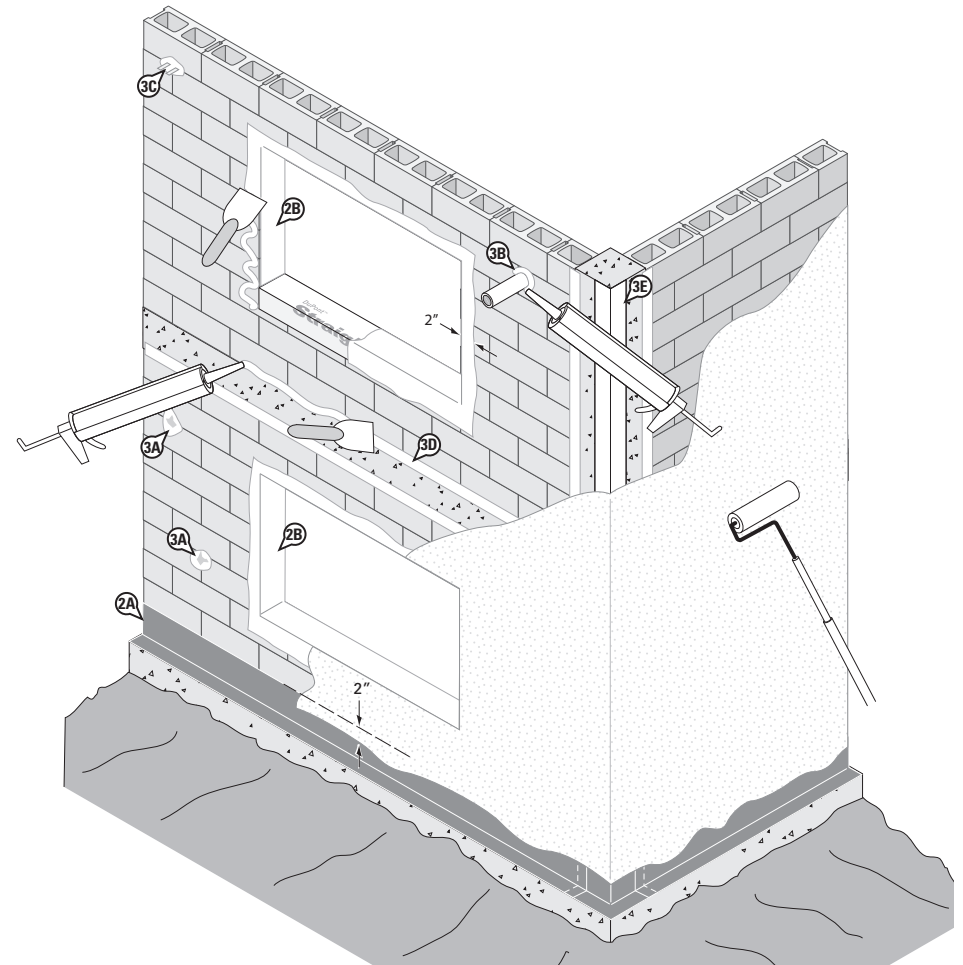
3D. Treat all non-moving masonry joints and transitions to columns and beams by applying a 2" wide x 60 mil thick coat of Fluid Applied Flashing and Joint Compound along the length of the joint. Joints up to ¼" can be treated with joint compound alone. Joints from ¼" - ½" should first be reinforced with fiberglass mesh tape. Alternatively, joints and transitions may be sealed using a strip DuPont™ StraightFlash™ applied to the primed substrates. Flashing should extend a minimum of 2" onto each surface (see page 7 for detail).

3E. Pretreat all inside and outside building corners by applying a 2" wide x 25 mil thick coat of joint compound along both surfaces. In addition, inside corners should be filled with a ½" fillet bead of joint compound. Alternately, corners can be sealed by first priming the substrate and then applying a strip of DuPont™ StraightFlash™ along corner. Be sure that the flashing is pressed tightly into inside corners and is fully adhered to substrate.

Note: Tyvek® Fluid Applied Flashing and Joint Compound, and Sealant should be allowed to cure for 24 hrs before coating with Tyvek® Fluid Applied WB.

STEP 4: WEATHER BARRIER

All flashing and detailing should be completed before installation of DuPont™ Tyvek® Fluid Applied WB. Fluid Applied WB may be sprayed, brushed or rolled, however application using a pressure roller such as the Graco Pressure Roller, or equivalent, is the preferred method. A roller cover with a 1/4" – 3/8" nap is recommended. When applying by spray, back rolling is also necessary. Tyvek® Fluid Applied WB should be applied in a single coat at 25 mils thick (yielding approximately 56sf/gal on CMU). Thickness should be controlled by applying the appropriate volume over a marked area and by spot checking with a wet mil gauge. Upon completion, inspect surface to ensure that Fluid Applied WB is continuous and free of any voids or pinholes.

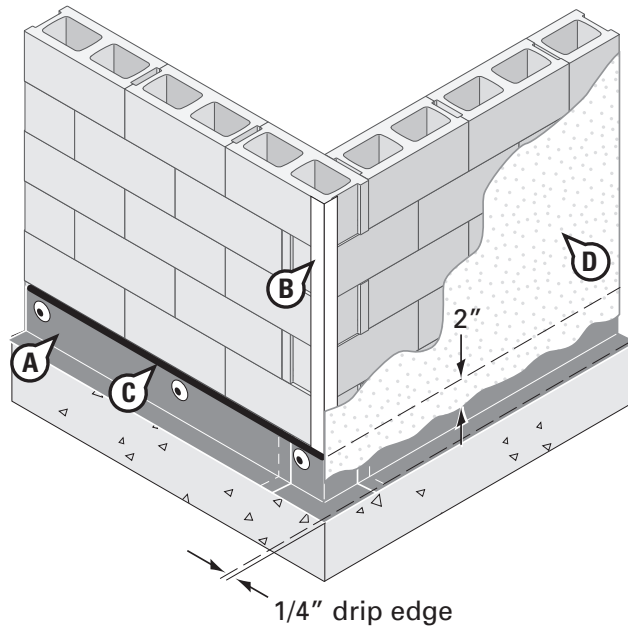


Detailing

It is important to maintain the continuity of the weather barrier from top to bottom. The entire wall surface shall be covered, including unconditioned spaces. Special attention should be given to all terminations, transitions, projections and penetrations to ensure a proper drainage plane and a continuous weather barrier is maintained.

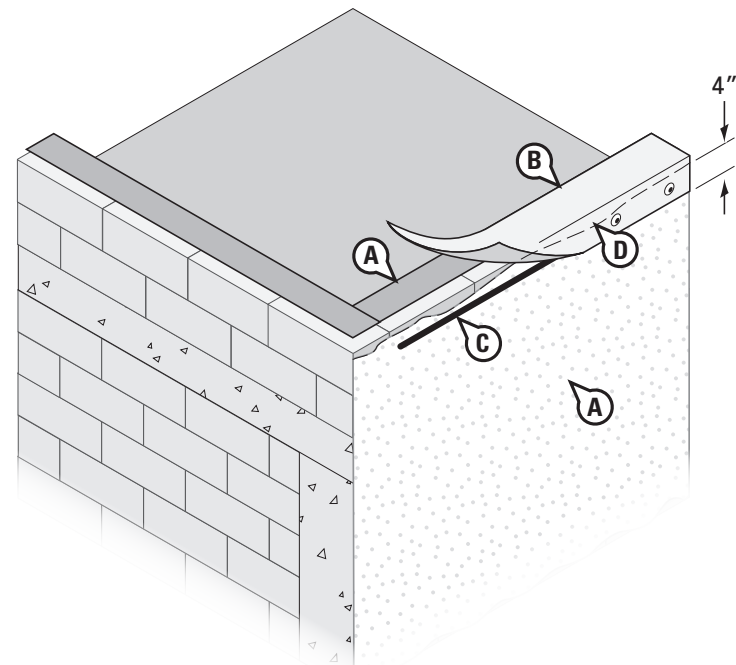
Foundation

- Install DuPont™ Thru-Wall Flashing in accordance with the current Fluid Applied Flashing - Commercial Installation Guidelines
- Install corner and vertical joint treatment, flush with the top of the thru-wall flashing.
- Seal top edge of thru-wall flashing using DuPont™ Sealant for Tyvek® Fluid Applied System or Tyvek® Fluid Applied Flashing and Joint Compound. Apply sealant across the intersection of the thru-wall flashing and the joint or corner treatment. Allow to cure for 24 hours, before applying DuPont™ Tyvek® Fluid Applied WB.
- Apply DuPont™ Tyvek® Fluid Applied WB onto wall surface at 25 mils thick. Overlap thru-wall flashing by a minimum of 2"



Top of Wall

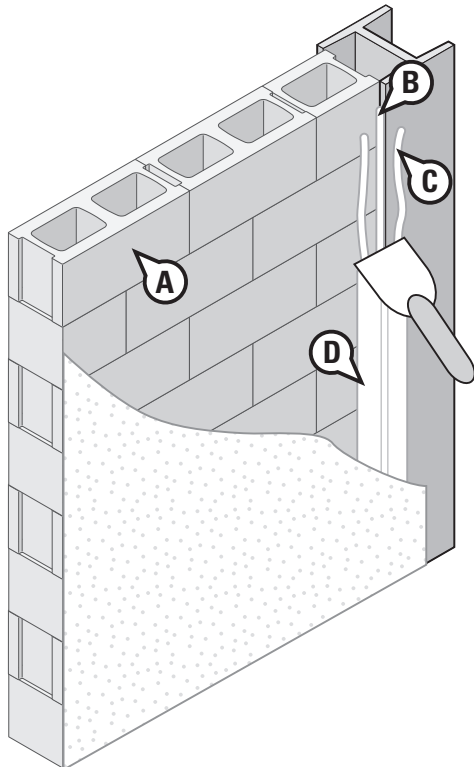
- DuPont™ Tyvek® Fluid Applied WB and roofing membrane should be installed prior to installation of DuPont™ Thru-Wall Flashing on top of wall.
- Remove release paper and wrap DuPont™ Thru-Wall Flashing over top of wall, extending it down over Tyvek® Fluid Applied WB by at least 4".
- Lift up bottom edge of flashing and apply a liberal bead of DuPont™ Sealant for Tyvek® Fluid Applied System or Tyvek® Fluid Applied Flashing and Joint Compound under flashing approximately 2" up from the bottom edge.
- Press flashing into sealant and secure using mechanical fasteners installed through the flashing and sealant bead.



Transitions

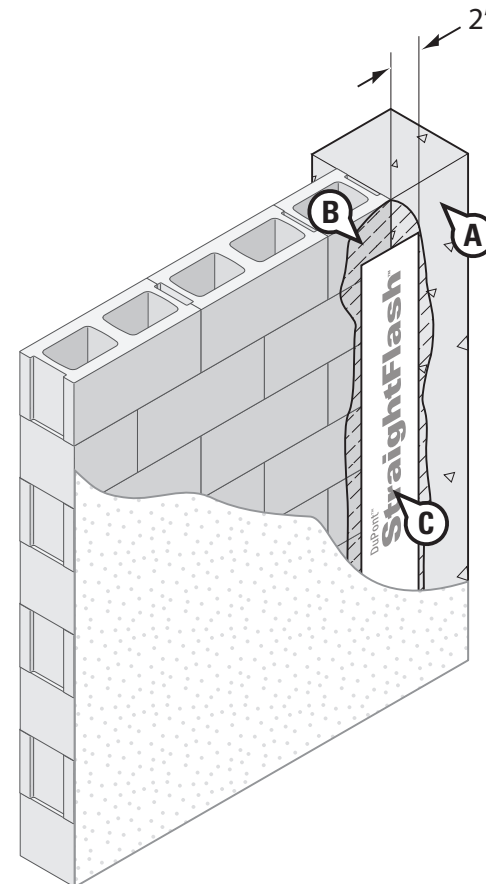
METHOD 1 (fluid applied)

- A. Clean both substrates thoroughly. Remove any material that could negatively affect adhesion.
- B. Fill seam between adjoining substrates flush with the surface using DuPont™ Tyvek® Fluid Applied Flashing and Joint Compound. Joints up to ¼" can be treated with joint compound only. Joints from ¼" - ½" should first be reinforced with fiberglass mesh tape or filled with mortar.
- C. Apply a bead of joint compound to both adjoining surfaces.
- D. Using a small trowel, smooth out joint compound across transition. Transition seam width should be approximately 2" wide and approximately 60 mils thick. Upon completion, inspect transition treatment for gaps or pinholes and repair if necessary. Let transition treatment cure for 24 hours before application of Fluid Applied WB.



METHOD 2 (self-adhered)

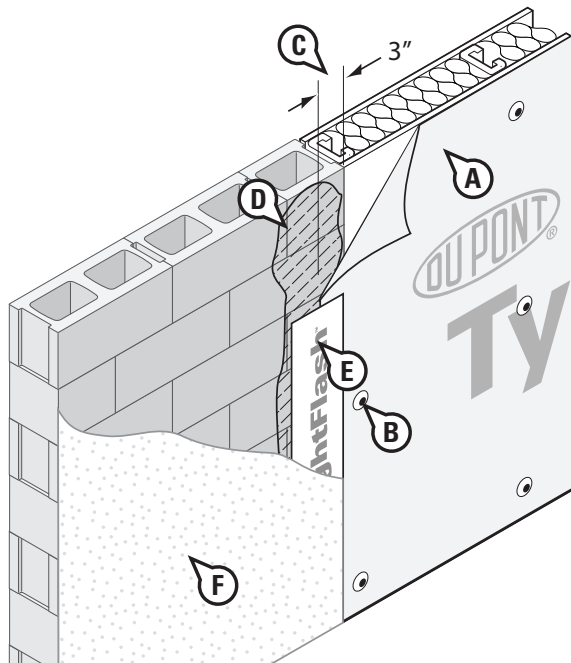
- A. Clean both substrates thoroughly. Remove any material that could negatively affect adhesion.
 - B. Prime both substrates using a DuPont recommended primer.
 - C. Apply a strip of DuPont™ StraightFlash™ to the primed substrates. Flashing should extend a minimum of 2" onto each surface. Press StraightFlash™ firmly onto both surfaces, working it into any irregularities using a J-roller or firm hand pressure.
- Note: These transition methods are to be used for non-moving joints.



DuPont™ Tyvek® Fluid Applied WB - Commercial Installation Guidelines

Transitions to DuPont™ Tyvek® Building Wrap

- A. Install DuPont™ Tyvek® Building Wrap prior to application of DuPont™ Tyvek® Fluid Applied WB.
- B. Fasten building wrap to the stud adjoining the transition substrate.
- C. Cut DuPont™ Tyvek® Building Wrap so that approximately 3" will overlap the adjoining substrate.
- D. Fold back the 3" flap of building wrap and prime adjoining substrate with a DuPont recommended primer.
- E. Fold building wrap back down over the interface and seal it to the primed substrate using 4" DuPont™ StraightFlash™, overlapping both surfaces evenly by approximately 2". Press DuPont™ StraightFlash™ firmly onto any irregular surfaces using a J-roller or firm hand pressure.
- F. Lastly, apply Tyvek® Fluid Applied WB onto wall surface, and onto DuPont™ StraightFlash™. Fluid Applied WB should overlap StraightFlash™ by a minimum of 2". Do not apply Fluid Applied WB onto Tyvek® building wrap. Upon completion, inspect surface to ensure that Fluid Applied WB is continuous and free of any voids or pinholes.



Penetrations

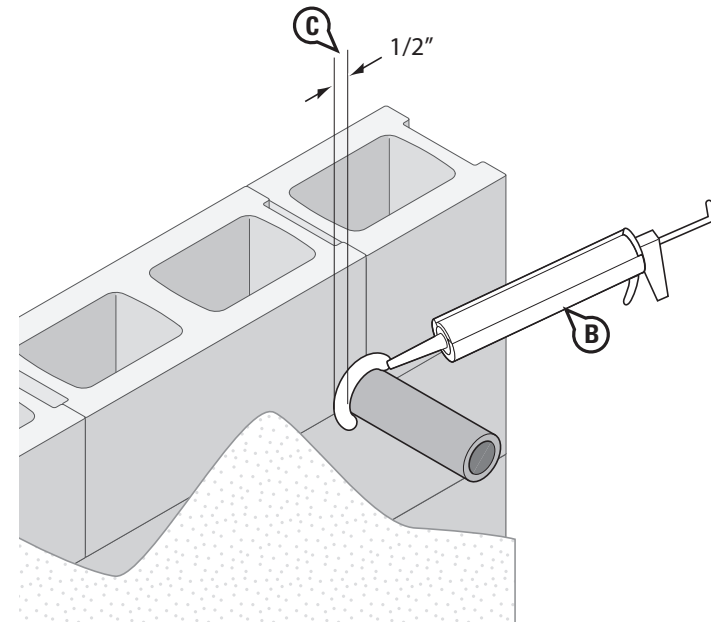
Clean both substrates.

Seal around penetration using DuPont™ Tyvek® Fluid Applied Flashing and Joint Compound or Sealant for Tyvek® Fluid Applied System (B).

Sealant should extend a minimum of 1/2" onto both surfaces (C).

Penetration may be sealed before or after the installation of Tyvek® Fluid Applied WB, if applied before, sealant should be allowed to cure for 24 hrs. before application of Fluid Applied WB.

Upon completion, inspect sealant for gaps or pinholes and repair if necessary.



Brick Ties, Cladding Supports, and Furring Strips

As a best practice, DuPont recommends that all embedded masonry anchors be treated by applying a coat of DuPont™ Tyvek® Fluid Applied WB or DuPont™ Tyvek® Fluid Applied Flashing and Joint Compound around the base of the anchor.

When installing mechanically attached supports or furring strips in high performance building envelope designs (building envelope design requirements exceeding ASTM E 1677, 65 mph equivalent structural load and 15 mph equivalent wind-driven rain water infiltration testing), fasteners shall be sealed by, 1) applying a piece of double sided butyl tape to the back of support bracket at the fastener location, 2) embedding support bracket into an additional wet bed of DuPont™ Tyvek® Fluid Applied product, 3) applying a coat of DuPont™ Tyvek® Fluid Applied product to the screw before installing, or 4) an alternate DuPont approved method.

When installing mechanically attached supports or furring strips in building envelope design requirements equivalent to ASTM E 1677 conditions or less, no pretreatment is necessary.

Application Over Sheathing

DuPont™ Tyvek® Fluid Applied WB may be installed over exterior gypsum, OSB, and plywood sheathing. Sheathing should be clean and free from any materials that could negatively affect adhesion. When installing over sheathing, it is important that all sheathing seams be pretreated using the appropriate joint treatment method. All flashing and detailing should be completed before installation of DuPont™ Tyvek® Fluid Applied WB. When applying over exterior gypsum, all cut edges along outside corners and rough openings should first be primed with a DuPont recommended primer.

Pre-treat all inside and outside building corners by applying a 2" wide x 25 mil thick strip of joint compound on both sides of the corner. In addition, inside corners should be filled with a ½" fillet bead of joint compound. Alternately, corners can be sealed by first priming the substrate and then applying a strip of DuPont™ StraightFlash™ along the corner. Be sure that the flashing is pressed tightly into the inside corners and is fully adhered to the substrate.

Tyvek® Fluid Applied WB may be brushed, rolled or spray applied. However, application using a pressure roller such as Graco Pressure Roller, or equivalent, is the preferred method. A roller cover with a 1/4" – 3/8" nap is recommended. When applying by spray, the surface should be back rolled to insure a pinhole free surface. Fluid Applied WB should also be applied in a single coat at 25 mils thick (yielding approximately 64 sf/gal on exterior gypsum). The thickness should be controlled by applying the appropriate volume over a marked area and by spot checking with a wet mil gauge. Upon completion, inspect surface to ensure that Fluid Applied WB is continuous and free of any voids or pinholes.

DuPont™ Tyvek® Fluid Applied WB - Commercial Installation Guidelines

Joint Treatment Methods

Method 1 (gaps from 1/16" – 1/4")

- Apply a bead of DuPont™ Tyvek® Fluid Applied Flashing and Joint compound above and below the sheathing seam.
- Smooth joint compound across the joint using a trowel. Joint Compound should extend a minimum of 1" on either side of the joint and be 15-25 mils thick.
- Check joint for thin spots and pinholes, repair as necessary.

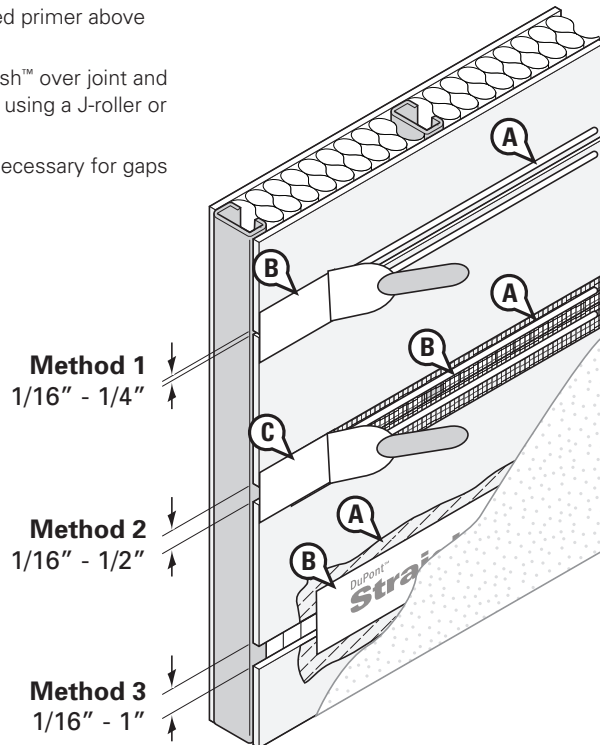
Method 2 (gaps from 1/16" – 1/2")

- Firmly apply self-adhered reinforcing mesh tape.
- Apply a bead of Tyvek® Fluid Applied Flashing and Joint Compound above and below the sheathing seam.
- Smooth joint compound across the mesh tape using a trowel. Joint compound should extend a minimum of 1" on either side of the joint and be 15-25 mils thick.
- Check joint for thin spots and pinholes, repair as necessary.

Method 3 (gaps from 1/16" – 1")

- Apply DuPont recommended primer above and below sheathing joint.
- Center DuPont™ StraightFlash™ over joint and firmly press onto sheathing using a J-roller or firm hand pressure.

Note: No pre-treatment is necessary for gaps up to 1/16" wide.



Repair

Small repairs can be made by coating the damaged area with a layer of DuPont™ Tyvek® Fluid Applied Flashing and Joint Compound. Larger damaged areas may need to be reinforced using fiberglass mesh or by replacing damaged substrate and reapplying DuPont™ Tyvek® Fluid Applied WB.

Equipment Recommendations

Application using a pressure roller, such as the Graco Pressure Roller, is the preferred method of installation of Tyvek® Fluid Applied WB. A pressure roller can be used in conjunction with a variety of pumps, such as the Graco IronMan 300E, IronMan 500G, GH 733, GH 833 or equivalent. All manufacture limitations should be followed. DuPont™ Tyvek® Fluid Applied WB may be sprayed using a high pressure air-powered, airless sprayer such as the Graco X70 Xtreme® Sprayer with a 0.017" – 0.025" tip. All filters should be removed.

Clean Up

Uncured material can be cleaned from hands, tools, and equipment by using a citrus-based cleaner or mineral spirits. Cured product can be removed by soaking in a citrus based cleaner or using a gel-based paint stripper. Material should not be left in the pump, hose, gun, or pressure roller. After application is complete, flush the system with a citrus based cleaner, or mineral spirits until the system is clean. Low pressure portions of the system should be taken apart and cleaned by hand. Before the next use, flush any remaining solvent out of the system before applying Fluid Applied WB to the wall. Be sure that system is completely clean of any old product before introducing a new product. If the system is not completely clean, products can react and cause products to cure in the application system.

Health and Safety

Contains calcium carbonate, vinyl trimethoxysilane and diaminopropyl trimethoxysilane. Vapor harmful if using spray application. Use in a well ventilated area. Use a NIOSH approved respirator. If vapors are inhaled, immediately remove from exposure and contact a physician. Avoid contact with eyes and skin. Protective eye wear and gloves are recommended. Refer to the MSDS for complete health and safety information.

Disposal

Dispose of any residual fluid applied material or fluid applied coated debris in accordance with applicable federal, state, and local government regulations.

Facade/Exterior Considerations

Brick

The Brick Industry Association recommends a 1" air-space in front of wood stud construction and a 2" air-space in front of steel stud construction. Consistent with these requirements and recommendations, Tyvek® Fluid Applied WB shall be separated from the brick veneer by a minimum 1" air-space. Window and door flashing and thru-wall flashing shall be integrated with the DuPont™ Tyvek® Fluid Applied WB in accordance with these installation guides. For maximum moisture management and drying of the wall system, the airspace in front of the Fluid Applied WB shall be vented to the exterior at the top and bottom of the wall.

Stucco

When stucco is installed over wood-based sheathing the 2006 International Building Code (Section 2510.6) requires "a weather-resistive barrier with a performance at least equivalent to two layers of Grade D paper" or a layer of weather barrier which is separated from the stucco by an "intervening layer". When DuPont™ Tyvek® Fluid Applied WB is used behind stucco, it should be separated from the stucco by a intervening layer. Tyvek® Fluid Applied WB serves as the wall system's weather barrier and is integrated with window and door flashings, the weep screed at the bottom of the wall and any thru-wall flashings or expansion joints. Lath shall be installed over the intervening layer (second layer) in accordance with ASTM C1063-03 Standard Specification for Installation of Lathing and Furring to Receive Interior and Exterior Portland Cement-Based Plaster and applicable codes.

Metal Panel

DuPont™ Tyvek® Fluid Applied WB and metal panel cladding systems shall be installed according to manufacturer's instructions and industry standards. Window and door flashing and thru-wall flashing shall be integrated with the Tyvek® Fluid Applied WB.

Stone Veneer

The 2006 International Building Code (Section 1405.6) requires two layers of weather barrier behind stone veneers over wood frame construction. When DuPont™ Tyvek® Fluid Applied WB is used behind stone veneer, it should be separated from the stone and mortar by a intervening layer. The DuPont™ Tyvek® Fluid Applied WB serves as the wall system's weather barrier and is integrated with window and door flashings, the weep screed at the bottom of the wall and any thru-wall flashings or expansion joints. Lath shall be installed over the intervening layer (second layer) in accordance with ASTM C1063-03 Standard Specification for Installation of Lathing and Furring to Receive Interior and Exterior Portland Cement-Based Plaster and applicable codes.

Wood Siding

DuPont™ Tyvek® Fluid Applied WB and wood siding shall be installed according to manufacturer's instructions, industry standards and applicable codes. As recommended by the Western Red Cedar Lumber Association and U. S. Forest Product Laboratory, wood siding should be primed on all six sides before installation. In high exposure installations, enhanced drainage and water management may be provided by using DuPont™ Tyvek® CommercialWrap® D or by creating rainscreen cladding with a larger airspace behind the siding using furring strips.

Fiber Cement Siding

DuPont™ Tyvek® Fluid Applied WB and fiber cement siding shall be installed according to manufacturer's instructions and industry standards. In high exposure installations, enhanced drainage and water management may be provided by using DuPont™ Tyvek® CommercialWrap® D or by creating rainscreen cladding with a larger airspace behind the siding using furring strips.

Exterior Insulation

DuPont™ Tyvek® Fluid Applied products and exterior insulation shall be installed according to the manufacturer's instructions and industry standards. Tyvek® Fluid Applied products can be installed underneath the exterior insulation. Window flashing, door flashing, and thru-wall flashing shall be integrated with the Fluid Applied WB. The successful installation and performance of exterior insulation is dependent upon the proper design and construction of adjacent material and systems of the structure.

Technical Specifications

DuPont™ Tyvek® Fluid Applied products are formulated to include elastomeric polymers that cure to continuous, fully-adhered, tough, durable membranes. Additives have been incorporated to provide ultraviolet light resistance. DuPont requires that the DuPont™ Tyvek® Fluid Applied WB, DuPont™ Tyvek® Fluid Applied Flashing and Joint Treatment Compound, and DuPont™ Tyvek® Fluid Applied – Brush Formulation are to be covered within 9 months (270 days) of installation. .

DuPont™ Thru-Wall Flashing is a 40 mil, self-adhesive composite flashing membrane. The top sheet is composed of DuPont™ Elvaloy® polymer and thermoplastic ingredients that are reinforced with polyester fibers. A synthetic rubber adhesive is applied to the bottom surface of the membrane. A 1-1/2" edge of the top sheet does not have the synthetic rubber adhesive applied to it in order to provide a suitable surface for sealant adhesion and to use as a drip edge. Corners and end dams are made from DuPont™ Elvaloy® polymer and thermoplastic ingredients. Additives have been incorporated to provide extended UV light resistance.

DuPont™ FlexWrap™ NF and StraightFlash™ flashing products are made from a synthetic rubber adhesive and a top sheet of flash spunbonded high density polyethylene fibers. Additives have been incorporated into these materials to help provide UV light resistance. DuPont requires that DuPont™ FlexWrap™ NF and StraightFlash™ be covered within (4) four months (120 days) of installation.

Warning

Use only as directed. Avoid contact with eyes and skin, gloves are recommended. First Aid: Eye & Skin Contact; Wash thoroughly with water. If irritation persists, contact a physician.

KEEP OUT OF REACH OF CHILDREN.

DuPont™ Thru-Wall Flashing, DuPont™ FlexWrap™ NF, and DuPont™ StraightFlash™ products and their release paper are slippery and should not be walked on. Remove release paper from work area immediately. DuPont™ Thru-Wall Flashing will melt at temperatures greater than 480°F (250°C). DuPont™ FlexWrap™ NF and StraightFlash™ will melt at temperatures greater than 250°F (121°C). DuPont Self-Adhered Flashing products are combustible and should be protected from flames and other high heat sources. If burning occurs, ignited droplets may fall away from the point of ignition. For more information, call 1-800-44-Tyvek.

DuPont™ Commercial Sealant is irritating to skin, eyes and respiratory tract. For proper usage, follow directions stated on the product label. For health information, refer to the Material Safety Data Sheet or call Chemtrec at 1-800-424-9300.

Note

When installed in conjunction with other building materials, DuPont™ Tyvek® Fluid Applied products must be properly integrated so that water is diverted to the exterior of the wall system. DuPont™ Tyvek® Fluid Applied WB is a secondary weather barrier. The outer facade is the primary barrier. You must follow façade manufacturer's installation and maintenance requirements for all facade systems in order to maintain water holdout properties and ensure performance of Tyvek® Fluid Applied WB. Use of additives, coatings or cleansers on or in the facade system may impact the performance of Tyvek® Fluid Applied products. Tyvek® Fluid Applied WB is to be used as outlined in this installation guideline. Tyvek® Fluid Applied Flashing products and DuPont self-adhered flashing products should only be used to seal penetrations and flash openings in houses or buildings. Tyvek® Fluid Applied products are not to be used in roofing applications. For superior protection against bulk water penetration, DuPont suggests a system combining a quality exterior facade, a good secondary weather barrier and exterior sheathing, high quality windows and doors, and appropriate flashing materials paying attention to proper installation of each component.

DuPont believes this information to be reliable and accurate. The information may be subject to revision as additional experience and knowledge is gained. It is the user's responsibility to determine the proper construction materials needed.

For complete warranty information please call 1-800-44-Tyvek.

This information is not intended to be used by others for advertising, promotion, or other publication for commercial purposes.

For more information about DuPont Weatherization Systems, please call 1-800-44-Tyvek or visit us at www.Weatherization.Tyvek.com



Tyvek.
FLUID APPLIED WB