



Light Steel Framing Connections

QUALITY LIGHT STEEL FRAMING MEMBERS AND CONNECTIONS

Quality Connections by The Steel Network, Inc.

Vertical Deflection Product Line

Head of Wall Connectors



VertiClip® SLD Interior
VertiClip® SL Exterior
VertiTrack® VTD Interior
VertiTrack® VTX Exterior

Bypass Connectors



VertiClip® SLB Slab
VertiClip® SLS Structure
VertiClip® SLF Top of Slab
VertiClip® SLT Structure/Slab
VertiClip® Splice Multi-Stud

Hybrid Vertical Deflection and Rigid Connection Product Line

Bypass Connectors



MasterClip® VLB Slab



Bridging Product Line

Wall Connectors



BridgeBar® Bridging Channel
BridgeClip® Secures Channel to Stud
BuckleBridge® Bridging/Bracing Member
NotchTrak® NT Bridging Alternative

Rigid Connection Product Line

Wall & Floor Connectors



StiffClip® HE Header
StiffClip® HS Header/Sill
StiffClip® LB Bypass Slab
StiffClip® JC Joist Clip
StiffClip® JH Joist Hanger
StiffClip® FS Floor Strap

Roof & Truss Connectors



StiffClip® HC Hip Connector
StiffClip® PL Truss Connector
StiffClip® RT Roof Tie
StiffClip® WC Web Connector

Uplift, Cantilever & Multi-Purpose



StiffClip® AL Multi-Purpose
StiffClip® LS Spandrel/Multi-Purpose
StiffClip® CL Floor Tie
MidWall™ Partial Wall Framing
StiffClip® TD Uplift Connector

Drift Connection Product Line

Drift & Vertical Deflection Connectors



DriftClip® DSLB Exterior Bypass Slab
DriftClip® DSLS Exterior Bypass Structure
DriftClip® DSLD Interior Head of Wall
DriftClip® DSL Exterior Head of Wall

Drift Tracks & Connectors



DriftTrak® DTSL Head of Wall
DriftTrak® DTSLB Bypass
DriftTrak® DTLB Bypass (*rigid connection at stud*)
DriftTrak® Headed Stud Slab
Integrated Bypass
DriftTrak® Headed Stud - PTS Post Tensioned Concrete Slab

Heavy Duty Products

Alternative Seismic Connectors



VertiClip® SLB-HD Bypass Slab
StiffClip® LB-HD Bypass Slab

Specialty Products

Non-Loadbearing



GripClip® Column/Beam Connector
CircleTrak® Curved Wall Track
BackIt® Wall Backing
Common Clip Angle All Applications
Custom Connections All Applications

Vertical Deflection Product Line

Head of Wall Connectors

Introduction:

All of TSN's vertical head of wall connections connect metal studs at the top of wall to the deck or primary frame while allowing up to 1 1/2" vertical deflection (3/4" up and 3/4" down). VertiClip's unique design provides both an anti-friction and anti-seizure connection between the clip and the stud web surface, thereby preventing a transfer of vertical forces into curtain wall or drywall partition framing, which is not engineered to support axial loads.

Quality

- Load-rated positive mechanical attachment at each stud
- Utilizes only certified, 50ksi steel
- Meets all building code criteria
- Friction-free movement with TSN's Step Bushing Technology®

Features

- Step Bushings pre-installed for accurate placement
- Load rated screws provided for each connection
- Eliminates loose friction-held track assemblies and temporary screws
- Adaptable for multiple configurations
- Top of wall bridging or strapping is eliminated

VertiClip® SLD Interior

VertiClip SLD Features

- Component in VertiTrack® VTD, TSN's pre-assembled interior deflection track
- UL classified for all approved dynamic assemblies and finish combinations with 1 1/2" deflection and 1-2 hour fire-ratings

Nomenclature

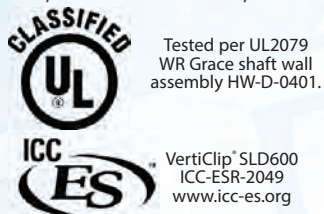
VertiClip SLD is designated by type (SLD), followed by stud depth in inches multiplied by 100.

Example: 6" stud.

Designate: VertiClip® SLD600

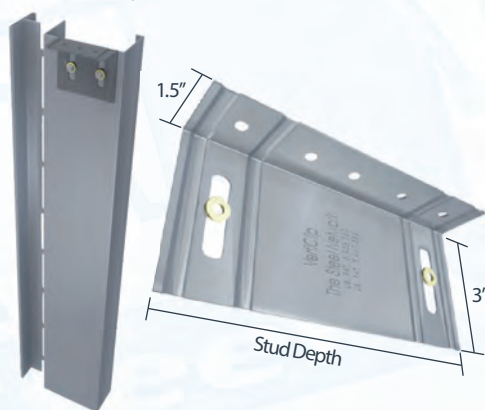
* Strengthening ribs and guide holes are present in 3 5/8" and 6" sizes.

** Options for deflection requirements greater than 3/4" (up and down) are available.



VertiClip SLD may be used in shaft wall assemblies to provide a positive attachment at the top of wall. Sizes include VertiClip® SLD150, 250, and 362 for 2.5", 4", and 6" shaft wall stud depths.

US Patents #5,467,566 & #5,906,080



Order Information

Designation	Qty/Box	Lbs/Box	Qty/Skid	Lbs/Skid
SLD150	250	19	11,250	855
SLD250	250	28	11,250	1,260
SLD362/400	200	35	9,000	1,575
SLD600	100	28	4,500	1,260
SLD800	100	37	4,500	1,665

VertiClip® SL Exterior

VertiClip SL Features

- Component of VertiTrack® VTX, TSN's pre-assembled exterior deflection track
- Helps protect liability with use over friction-fit track assemblies

Nomenclature

VertiClip SL is designated by type (SL), followed by stud depth in inches multiplied by 100.

Example: 6" stud

Designate: VertiClip® SL600

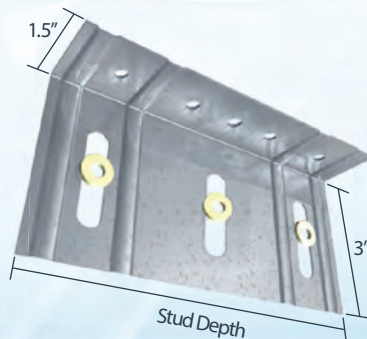
* Strengthening ribs and guide holes are present in 3 5/8" and 6" sizes.

** Options for deflection requirements greater than 3/4" (up and down) are available.



Approved
ICC-ES Screws
Provided
with Each
Clip!

US Patents #5,467,566 & #5,906,080



Order Information

Designation	Qty/Box	Lbs/Box	Qty/Skid	Lbs/Skid
SL362	100	32	4,500	1,440
SL400	100	36	4,500	1,620
SL600	100	53	4,500	2,385
SL800	50	37	2,250	1,665
SL1000	50	46	2,250	2,070
SL1200	50	55	2,250	2,475

VertiTrack® VTD Interior

VertiTrack VTD Features

- Composed of VertiClip® SLD pre-attached to a top runner track at pre-designated stud spacing
- Track lightweight for easy handling
- Utilize clips for wall layout
- NY MEA approval #326-06-M

Nomenclature

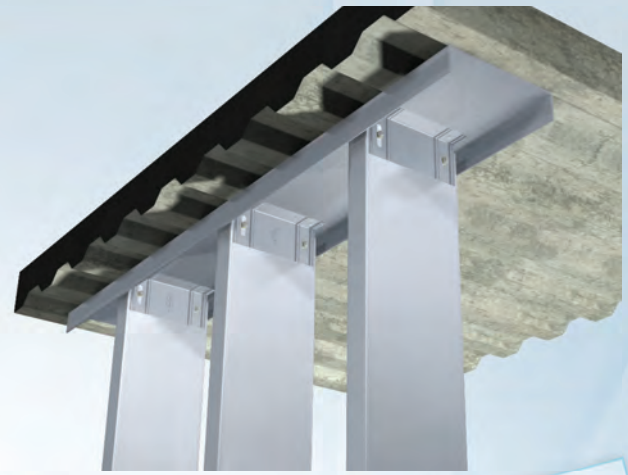
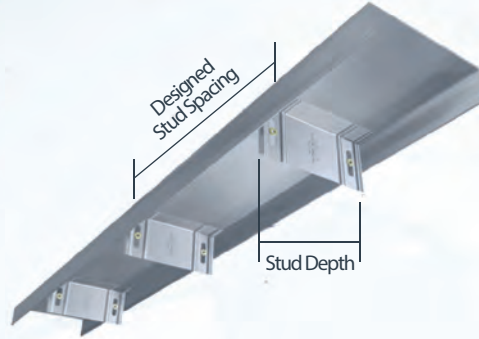
VertiTrack VTD is manufactured in 12 ft. lengths. VertiTrack is designated by type (VTD), followed by stud depth in inches multiplied by 100 and stud spacing.

Example: 6" deep stud, 16" on center

Designate: VertiTrack® VTD600-16

* Strengthening ribs are present in 3 5/8" and 6" sizes.

** Track leg length = 1 1/2"



Order Information

Designation	Lbs/Piece	Qty/Skid	Ft/Skid	Lbs/Skid
VTD250-16	8.808	250	3,000	2,200
VTD250-24	8.472	250	3,000	2,118
VTD362-16	10.935	242	2,904	2,647
VTD362-24	10.410	242	2,904	2,520
VTD400-16	11.415	200	2,400	2,283
VTD400-24	10.890	200	2,400	2,178
VTD600-16	15.240	98	1,176	1,494
VTD600-24	14.400	98	1,176	1,412
VTD800-16	18.810	100	1,200	1,881
VTD800-24	17.700	100	1,200	1,770

US Patents #5,467,566 & #5,906,080

VertiTrack® VTX Exterior

VertiTrack VTX Features

- Composed of VertiClip® SL pre-attached to a top runner track at pre-designated stud spacing
- Use over friction-fit track assemblies minimizes liability through the utilization of positive mechanical attachments to the web of the stud
- Track lightweight for easy handling
- Utilize clips for wall layout

Nomenclature

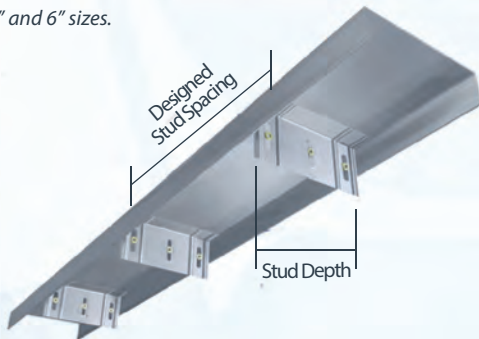
VertiTrack VTX is manufactured in 12 ft. lengths. VertiTrack is designated by type (VTX), followed by stud depth in inches multiplied by 100 and stud spacing.

Example: 6" deep stud, 16" on center

Designate: VertiTrack® VTX600-16

* Strengthening ribs are present in 3 5/8" and 6" sizes.

** Track leg length = 1 1/2"



Order Information

Designation	Lbs/Piece	Qty/Skid	Ft/Skid	Lbs/Skid
VTX362-16	15.570	242	2,904	3,768
VTX362-24	14.460	242	2,904	3,500
VTX400-16	16.260	200	2,400	3,252
VTX400-24	15.120	200	2,400	3,024
VTX600-16	21.510	98	1,176	2,108
VTX600-24	19.860	98	1,176	1,946
VTX800-16	27.660	100	1,200	2,766
VTX800-24	25.200	100	1,200	2,520

US Patents #5,467,566 & #5,906,080

Vertical Deflection Product Line

Bypass Connectors

Introduction:

All of TSN's vertical bypass connections connect exterior curtain wall studs, bypassing the building structure, while allowing vertical deflection of the structure. VertiClip's unique design provides both an anti-friction and anti-seizure connection between the clip and the stud web surface, thereby preventing a transfer of vertical forces into curtain wall or drywall partition framing, which is not engineered to support axial loads.

Quality

- Load-rated positive mechanical attachment at each stud
- Attaches to structure with PAF or welds
- Utilizes only certified, 50ksi steel
- Meets all building code criteria
- Friction-free movement with TSN's Step Bushing Technology®

Value

- Step Bushings pre-installed for accurate placement
- Load rated screws provided for each connection
- Eliminates loose friction-held track assemblies and temporary screws
- Adaptable for multiple configurations
- Eliminates shims and scabs
- Aligns wall studs quickly and easily by accounting for construction tolerances

VertiClip® SLB Slab

VertiClip SLB Features

- Load transferred from stud web
- Eliminates bridging or strapping within the bridging spacing from the connection
- Eliminates flange-loaded, friction-fit clips, which do not address web-crippling
- Allows up to 2" vertical deflection (1" up and 1" down)
- VertiClip SLB is minimum 14 ga (68 mil) while competitors are 16 ga (54 mil), making it the strongest bypass clip on the market!

Nomenclature

VertiClip SLB is designated by type (SLB), followed by stud depth in inches multiplied by 100.

Example: 6" stud
Designate: VertiClip® SLB600

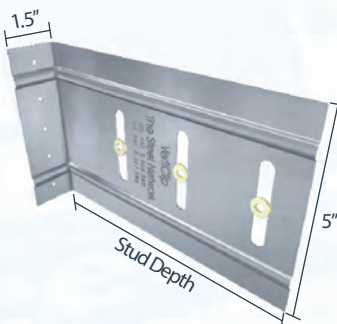
* Use of strengthening ribs and return bends varies with each clip.

** The VertiClip SLB600-10, 600-12, 800-10 and 800-12 accommodate an even greater construction tolerance of studs from structure. The VertiClip SLBxxx-10 is 10" in depth and the VertiClip SLBxxx-12 is 12" in depth with slot spacings designed for a 6" or 8" stud



VertiClip® SLB600
ICC-ESR-2049
www.icc-es.org

US Patents #5,467,566 & #5,906,080



**Strongest
Bypass
Clip on the
Market!**



Order Information

Designation	Qty/Box	Lbs/Box	Qty/Skid	Lbs/Skid
SLB250	50	20	2,250	900
SLB362/400	50	28	2,250	1,260
SLB600	50	38	2,250	1,710
SLB600-10	25	40	1,125	1,800
SLB600-12	25	44	800	1,408
SLB800	50	50	1,600	1,600
SLB800-10	25	40	1,125	1,800
SLB800-12	25	44	800	1,408
SLB1000	25	40	1,125	1,800
SLB1200	25	44	800	1,408

VertiClip® SLS Structure

VertiClip SLS Features

- Lightweight assembly
- Eliminates bridging or strapping within the bridging spacing from the connection

Nomenclature

VertiClip SLS is designated by type (SLS), followed by stud depth and clip length required. Clip length includes a minimum of 3" for steel (5.5" for concrete) of clip material for attachment to structure added to stud depth, plus the distance of the stud from the structure.

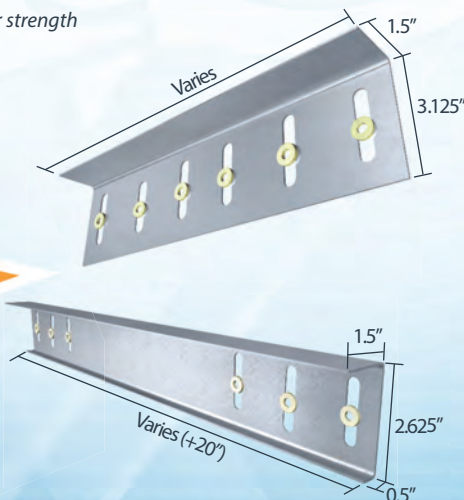
Example: 6" stud, 6" tolerance, 3" to structure
Designate: VertiClip® SLS600-15

* Return lip added to clips longer than 20" for strength



VertiClip® SLS600-12
ICC-ESR-2049
www.icc-es.org

US Patents #5,467,566 & #5,906,080



**Step Bushings
Pre-Installed!**



Order Information

Designation	Qty/Box	Lbs/Box	Qty/Skid	Lbs/Skid
SLS362/400-9*	50	45	2,250	2,025
SLS362/400-12*	50	60	2,250	2,700
SLS600-12	50	60	2,250	2,700
SLS600-15	50	70	1,600	2,240
SLS600-18	25	40	1,500	2,400
SLS600-20	25	48	1,500	2,880
SLS600-24	25	68	375	1,020
SLS600-30	25	85	375	1,275
SLS600-20	25	102	3750	1,530
SLS800-12	50	60	2,250	2,700
SLS800-15	50	70	1,600	2,240
SLS800-18	25	40	1,500	2,400
SLS800-20	25	48	1,500	2,880

* Use with either 3 5/8" or 4" studs.

VertiClip® SLF Top of Slab

VertiClip SLF Features

- Screw connection can be made from the decking through the stud flange when screw gun access to the web is not possible
- Symmetric design allows clip to work with studs facing either direction
- Allows up to 1 1/2" of vertical deflection (3/4" up and 3/4" down) and up to 1 1/2" of offset between the stud and building structure

Nomenclature

VertiClip SLF is available in one size for all stud depths with 1 5/8" flanges and is designated VertiClip® SLF162

* VertiClip SLF for use with 2" stud flanges can be made as a custom part.

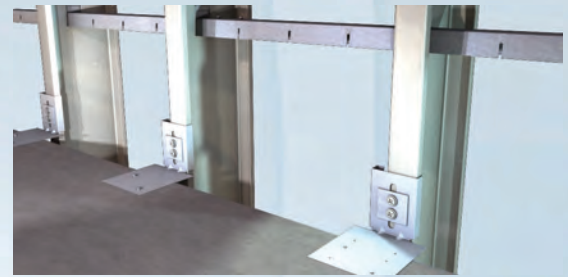
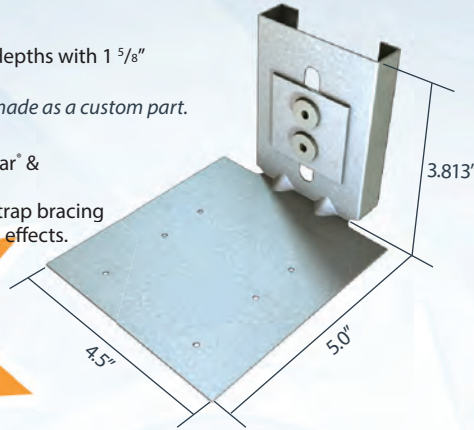
Application Images on Right

Top right: VertiClip SLF used with TSN's BridgeBar® & BridgeClip® installed within 12" from the clip.

Bottom right: VertiClip SLF used with one flat strap bracing on the outer flange of studs to resist torsional effects.

Great for Pre-Fabricated Panels!

US Patent # 8,511,032



Order Information

Designation	Qty/Box	Lbs/Box	Qty/Skid	Lbs/Skid
SLF162	25	23	1,125	1,035

VertiClip® SLT Structure/Slab

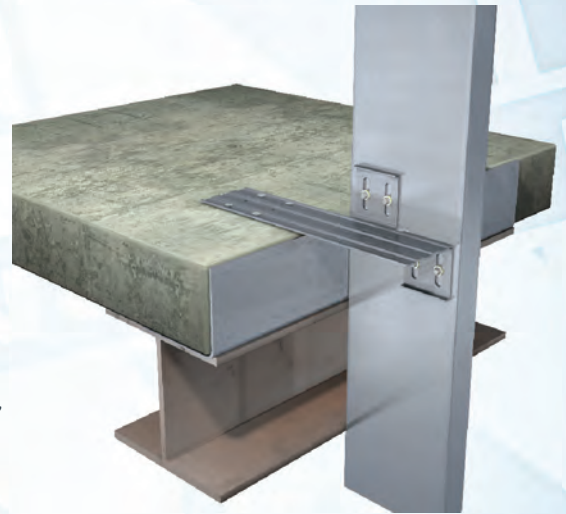
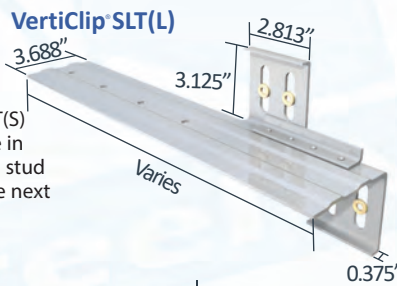
VertiClip SLT Features

- Allows up to 1" of vertical deflection (1/2" up and down for SLT and 1.875" (0.938") up and down for SLT(L))
- Attaches to horizontal surfaces, eliminating heavy reinforced slab closure plates
- Provides for tolerance of studs from deck
- Quick and easy way to plumb studs
- 97 mil (12 Gauge) material

Nomenclature

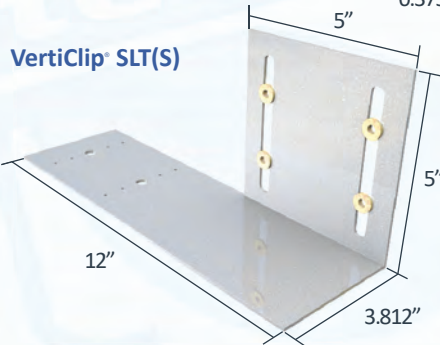
VertiClip SLT is available in a length of 9 1/2". VertiClip SLT(S) is available in a length of 12". VertiClip SLT(L) is available in lengths of 12", 15", and 18". Determine length by adding stud + offset + 3" for steel (5.5" for concrete) and selecting the next largest size.

Example: 6" stud, 4" offset + 3"
Designate: VertiClip® SLT(L)15



Order Information

Designation	Qty/Box	Lbs/Box	Qty/Skid	Lbs/Skid
SLT-9.5	50	47	1,600	1,504
SLT(S)	25	47	800	1,504
SLT(L)12	25	43	375	645
SLT(L)15	20	46	300	690
SLT(L)18	20	50	300	750



VertiClip® SLT 9.5 & SLT(L)18
ICC-ESR-2049
www.icc-es.org

US Patents #5,467,566 & #5,906,080

VertiClip® Splice Multi-Stud

VertiClip Splice Features

- Guide holes for connections to structure
- Acts as a web stiffener
- Reduces labor expense
- Extensively tested
- Cost-effective alternative for connecting 2 non-axial load bearing studs to structure

Nomenclature

VertiClip Splice is designated by multiplying stud depth by 100.

Example: 6" stud.
Designate: VertiClip® Splice600

* Clip shown is a left version of VertiClip Splice. Right side versions can be made as a custom part.



Order Information

Designation	Qty/Box	Lbs/Box	Qty/Skid	Lbs/Skid
Splice600	50	67	1,600	2,144
Splice800	50	87	1,600	2,784

US Patent # 5,906,080

Hybrid Vertical Deflection Product Line

Bypass Connectors

Introduction:

The Steel Network is excited to introduce our new MasterClip® VLB product line to the light steel framing industry!

MasterClip VLB, which can be used in slab bypass conditions, is the absolute first of its kind, having the ONLY self-contained, breakaway step bushings on the market. The integrated breakaway busing ensures quick installation, while maintaining optimum performance of the connector during deflection.

The new clip is designed to simplify your ordering and installation processes by incorporating two products in one with its integrated bushings, for vertical deflection, and guide holes for optional rigid connection. There is no reason to improvise on the jobsite, because MasterClip will adapt to your condition.

See more on this high quality, easy to install, value priced product at: <http://www.steelnetwork.com/Product/MasterClipVLB>

Quality

- Load-rated positive mechanical attachment at each stud
- Stamped bushings for Friction-free movement with TSN's Step Bushing Technology™
- Guide holes for attachment to structure (and stud for optional rigid connection)
- Utilizes only certified, 50ksi steel
- Meets all building code criteria

Value

- Simplify ordering process and reduce inventory line items
- Bushings are integrated for accurate placement and ease of installation
- Rated screws provided for vertical deflection connection to stud web
- Eliminates loose friction-held track assemblies and temporary screws
- Adaptable for multiple configurations
- Eliminates shims and scabs
- Aligns wall studs quickly and easily by accounting for construction tolerances •

MasterClip® VLB Bypass Slab

MasterClip VLB

- MasterClip VLB is minimum 14 ga (68 mil) while competitors are 16 ga (54 mil), making it one of the strongest bypass clips on the market! The only other clip that compares is TSN's own VertiClip® SLB, the only true equal!
- Eliminates flange-loaded, friction-fit clips, which do not address web-crippling
- Eliminates bridging or strapping within the bridging spacing from the connection
- Allows up to 2" vertical deflection (1" up and 1" down)
- Load transferred from stud web

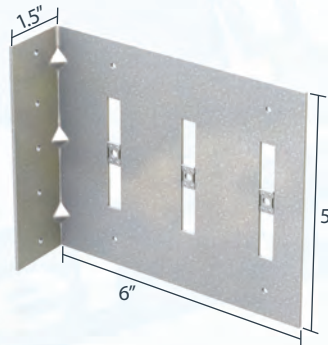
Nomenclature

MasterClip VLB is designated by type (VLB), followed by stud depth in inches multiplied by 100.

Example: 6" stud

Designate: MasterClip® VLB600

* VLB Currently only offered for 6" stud depths



Order Information

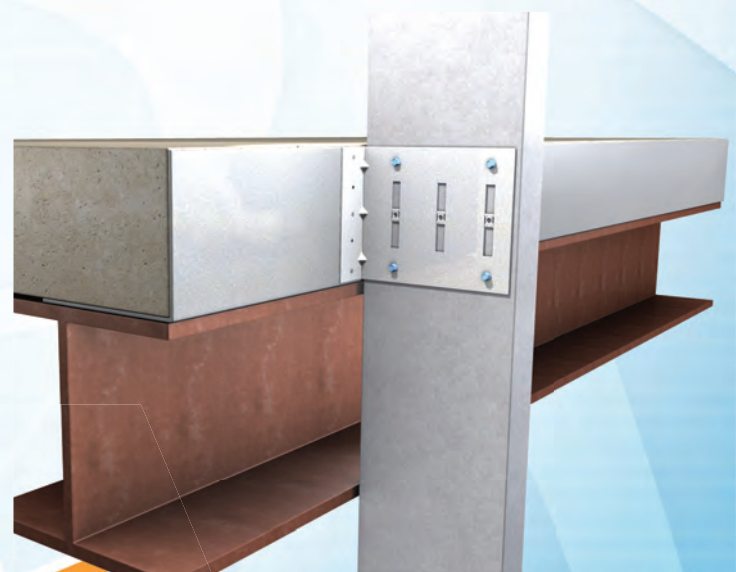
Designation	Qty/Box	Lbs/Box	Qty/Skid	Lbs/Skid
VLB600	50	38	4,500	3,420

US Patents #8,181,419, #8,683,770 & Pending

Example Details



MasterClip® VLB used for Vertical Deflection



MasterClip® VLB used as Rigid Connection

**2 connectors
in one!**

Rigid Connection Product Line

Wall & Floor Connectors

Introduction:

TSN's StiffClip line of products offer a variety of wall and floor connectors for all rigid connection applications.

Quality

- Load-rated positive mechanical attachment at each stud
- Attaches to structure with PAF or welds
- Utilizes only certified, 50ksi steel
- Meets all building code criteria

Value

- Aligns wall studs quickly and easily by accounting for construction tolerances with pre-punched guide holes for attachment
- Adaptable for multiple configurations
- Eliminates shims and scabs

StiffClip® LB Bypass Slab

StiffClip LB Features

- Leg stiffeners increase bending strength
- Various lengths allow for construction tolerance
- Replaces expensive bracing
- Resists vertical and horizontal loads

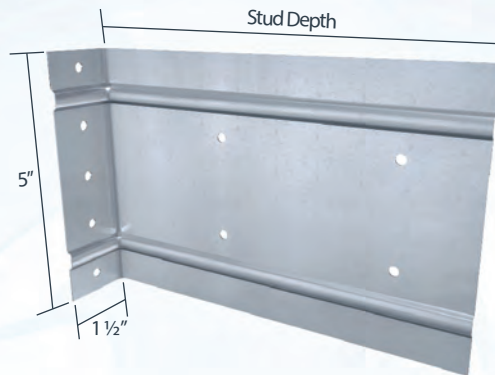
Nomenclature

StiffClip LB is available for various stud depths. To specify, multiply stud depth by 100.

Example: 6" stud depth

Designate: StiffClip® LB600

* Use of strengthening ribs varies for different clip lengths. Return lip added to clips 10" and longer for added strength.



Order Information

Designation	Qty/Box	Lbs/Box	Qty/Skid	Lbs/Skid
LB362/400	50	26	4,500	2,340
LB600	50	38	4,500	3,420
LB800	50	48	2,000	1,920
LB1000	25	28	1,125	1,260
LB1200	25	33	1,125	1,485

Available Now: StiffClip® LB-HD

Introducing TSN's New Line for Seismic Conditions

For bypass applications that don't allow PAF's, TSN's new Heavy Duty StiffClip LB-HD can be utilized to connect curtain wall studs, bypassing the building structures to the concrete deck of the primary structure using two 1/4" concrete screw anchors. Not only does this meet the seismic building code requirement, but it also eliminates the need for welding, saving you both time and money!

Order Information

Designation	Qty/Box	Lbs/Box	Qty/Skid	Lbs/Skid
LB600-HD	50	38	2,250	1,710

Call TSN today for more information!

No welds required!



Did You Know?

- The Steel Network is the **ONLY** manufacturer that holds an ICC-ES evaluation report for clip products utilized for vertical deflection and lateral drift applications!
- TSN products have undergone extensive field and laboratory testing in accordance with ICC-ES AC261 to achieve complete solutions for both designers and installers.
- Evaluation Report ESR# 2049 certifies that TSN's VertiClip®, DriftClip® and DriftTrak® products are in compliance with International Building Code (IBC).

Call TSN today for more information!



Rigid Connection Product Line

Wall & Floor Connectors

Introduction:

TSN's StiffClip line of products offer a variety of wall and floor connectors for all rigid connection applications.

Quality

- Load-rated positive mechanical attachment at each stud
- Attaches to structure with PAF or welds
- Utilizes only certified, 50ksi steel
- Meets all building code criteria

Value

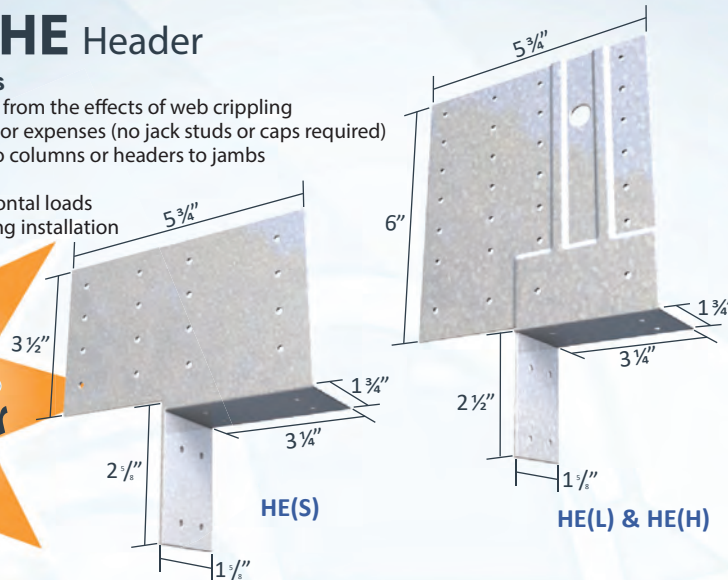
- Aligns wall studs quickly and easily by accounting for construction tolerances with pre-punched guide holes for attachment
- Adaptable for multiple configurations
- Eliminates shims and scabs

StiffClip® HE Header

StiffClip HE Features

- Protects the header ends from the effects of web crippling
- Reduces material and labor expenses (no jack studs or caps required)
- Connects either beams to columns or headers to jamba
- Acts as web stiffener
- Resists vertical and horizontal loads
- Tabs to hold header during installation

Use with a single TSN JamStud as the header



HE(L) or HE(H) with boxed header

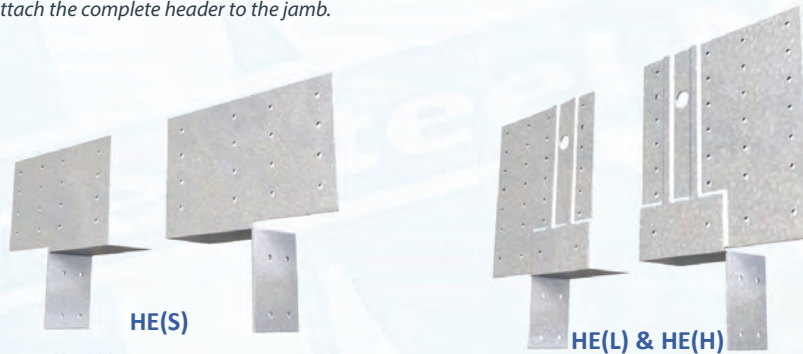


HE(S) with JamStud® Header

Nomenclature

StiffClip HE is available in two thicknesses. The StiffClip HE(L) is 43mil (18ga), and the StiffClip HE(H) & HE(S) are both 68mil (14ga).

* Clips are packaged as pairs. Four StiffClip HE clips are used at each opening: Two left-hand and two right-hand clips attach the complete header to the jamb.



US Patent #7,634,889

Order Information

Designation	Qty/Box	Lbs/Box	Qty/Skid	Lbs/Skid
HE(L)	25 pair	28	1,625 pair	1,820
HE(H)	25 pair	43	1,625 pair	2,729
HE(S)	25 pair	31	1,500 pair	1,860

StiffClip® HS Header/Sill

StiffClip HS Features

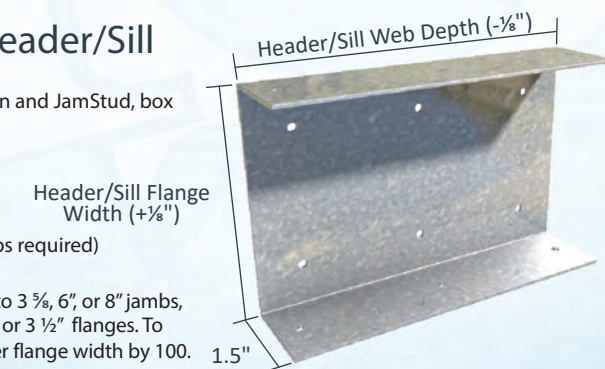
- Guide holes for connections to column and JamStud, box header or sill
- Resists vertical and horizontal loads
- Acts as a web stiffener
- Quick installation
- Reduces labor expense
- Reduces material (no jack studs or caps required)

Nomenclature

StiffClip HS is available for attachment to 3 3/8", 6", or 8" jamba, and for use with JamStuds with 2 1/2", 3" or 3 1/2" flanges. To specify, multiply jamb width and header flange width by 100.

Example: 6" jamb and a header flange width of 2 1/2"
Designate: StiffClip® HS600-250

Use with Headers & Sills!



Order Information

Designation	Qty/Box	Lbs/Box	Qty/Skid	Lbs/Skid
HS362-250	48	19	2,160	844
HS362-300	48	20	2,160	921
HS362-350	48	22	2,160	997
HS600-250	36	24	1,620	1,063
HS600-300	36	26	1,620	1,159
HS600-350	36	28	1,620	1,256
HS800-250	24	21	1,080	950
HS800-300	24	23	1,080	1,036
HS800-350	24	25	1,080	2,610

StiffClip® JC Joist Clip

StiffClip JC Features

- Connects floor joists to beams and other structural components
- Resists vertical loads
- Joist flange rests on angle leg with support flange for fast joist installation

Nomenclature

StiffClip JC is designated by listing the joist depth in inches, followed by the required clip thickness in mils that will accommodate anticipated loads. (see technical sheet for load tables)

Example: 6" joist, 3,000 lbs. load

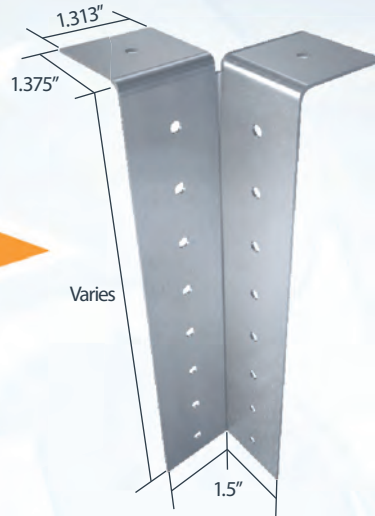
Designate: StiffClip® JC600-68



Order Information

Designation	Qty/Box	Lbs/Box	Qty/Skid	Lbs/Skid
JC362/400-43	100	21	11,200	2,352
JC362/400-68	100	33	11,200	3,696
JC600-43	100	30	4,500	1,350
JC600-68	100	47	4,500	2,115
JC800-43	100	35	4,500	1,575
JC800-68	100	60	4,500	2,700
JC800-97	50	39	2,250	1,755
JC1000-68	100	73	4,500	3,285
JC1000-97	50	51	2,250	2,295
JC1200-68	50	43	1,600	1,376
JC1200-97	50	60	1,600	1,920
JC1400-68	50	50	1,600	1,600
JC1400-97	50	70	1,600	2,240

**Load-rated,
positive
mechanical
attachment at
each stud!**



StiffClip® JH Joist Hanger

StiffClip JH Features

- Connects floor joists to beams
- Resists vertical loads
- Faster joist installation
- Engineered for steel joist
- Eliminates need for joist web stiffener at clip connection

Nomenclature

StiffClip JH is designated by listing the joist depth in inches, followed by the inside flange dimension in inches x 100 (2" flange is standard, and will also service 1 5/8" flange), and the required clip thickness in mils that will accommodate anticipated loads. (see technical sheet for load tables)

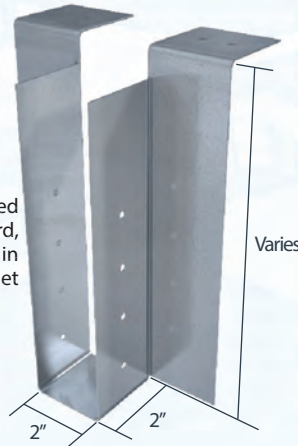
Example: 6" joist, 2" flange, 2,250 lbs. load

Designate: StiffClip® JH600x200-68



Order Information

Designation	Qty/Box	Lbs/Box	Qty/Skid	Lbs/Skid
JH600x200-68	25	30	375	450
JH800x200-68	25	49	375	735
JH1000x200-68	25	58	375	870
JH1000x200-97	15	50	375	1,250
JH1200x200-68	25	66	375	990
JH1200x200-97	15	57	375	1,425



StiffClip® FS Floor Strap

StiffClip FS Features

- Connects wall studs for a vertical uplift transfer through the floor system
- Resists tension forces only

Nomenclature

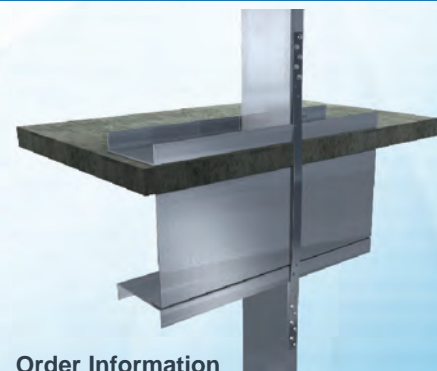
StiffClip FS is designated by the width of the strap in inches followed by strap thickness in mils.

Example: 16ga, 2 3/4" strap, 24" long

Designate: StiffClip® FS275-54-24

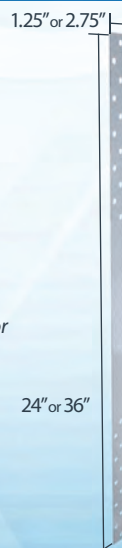
* Guide holes located 1/8" from each end, with 3/8" edge distance at 2" o.c. staggered for FS125 and 3/4" edge distance at 2" o.c. staggered for FS275. Additional guide holes for fasteners available upon request.

** Sizes shown on right are typical, but can vary. StiffClip FS is usually made to order. Contact TSN for additional pricing, quantity and order information



Order Information

Mils	Gauge	Decimal (in)
33	20	0.0346
43	18	0.0451
54	16	0.0566
68	14	0.0713
97	12	0.1017



Rigid Connection Product Line

Roof & Truss Connectors

Introduction:

TSN's StiffClip line of products offer a variety of roof and truss connectors for all rigid connection applications.

Quality

- Load-rated positive mechanical attachment at each stud
- Attaches to structure with PAF or welds
- Utilizes only certified, 50ksi steel
- Meets all building code criteria

Value

- Aligns wall studs quickly and easily by accounting for construction tolerances with pre-punched guide holes for attachment
- Adaptable for multiple configurations
- Eliminates shims and scabs

StiffClip® HC Hip Connector

StiffClip HE Features

- Connects roof joist framing members to the hip beam
- Engineered for steel members

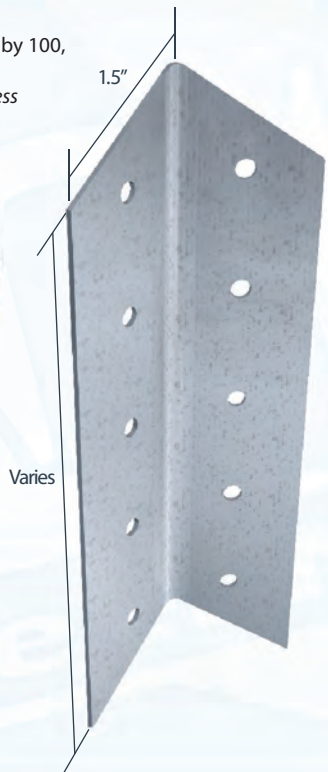
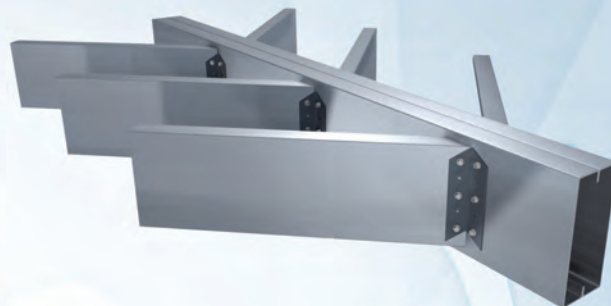
Nomenclature

StiffClip HC is designated by multiplying joist depth by 100, then listing material thickness.

Example: 6" stud depth, 68mil steel thickness

Designate: StiffClip® HC600-68

*Standard angle bend is 135°. Other angle shapes are available.



TSN's Rigid Roof & Truss Connectors meet all building code criteria!

Order Information

Designation	Qty/Box	Lbs/Box	QtySkid	Lbs/Skid
HC362/400-43	100	15	11,200	1,680
HC362/400-68	100	24	11,200	2,688
HC600-43	100	24	4,500	1,080
HC600-68	100	37	4,500	1,665
HC800-43	100	32	4,500	1,440
HC800-68	100	50	4,500	2,250
HC800-97	50	70	2,250	3,150
HC1000-68	100	65	4,500	2,925
HC1000-97	50	44	2,250	1,980
HC1200-68	100	80	3,200	2,560
HC1200-97	50	54	1,600	1,728
HC1400-68	50	45	1,600	1,440
HC1400-97	50	65	1,600	2,080
HC1600-68	50	50	2,400	2,440
HC1600-97	25	35	1,200	1,680

StiffClip® PL Truss Connector

StiffClip PL Features

- Connects truss framing members in the same plane
- Optional pre-punched holes accurately and consistently maintain minimum edge distance and overall screw placement
- No time or expense spent cutting steel shapes

Nomenclature

StiffClip PL is available in many different shapes and is designated as width x length - material thickness.

Example: 10" wide x 24" long with 68 mil thickness

Designate: StiffClip® PL10x24-68

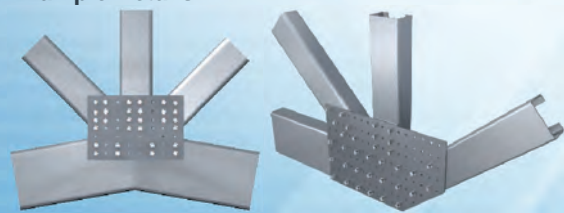
* Clip sizes vary within each application

** StiffClip PL are typically made to order per project specifications.

*** Call TSN today for pricing and order information!



Example Details



Available Thicknesses

Mils	Gauge	Decimal (in)
33	20	0.0346
43	18	0.0451
54	16	0.0566
68	14	0.0713
97	12	0.1017
118	10	0.1242

StiffClip® RT Roof Tie

StiffClip RT Features

- Secures and ties down roof framing members
- Incorporates stiffened legs to increase compressive strength and resist horizontal, lateral and uplift loads
- Engineered for steel members

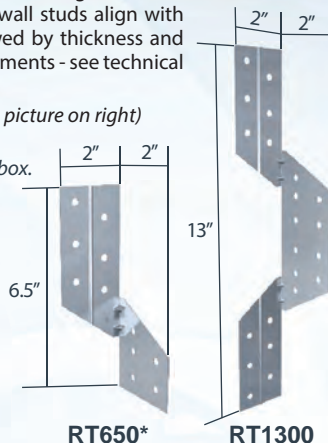
Nomenclature

StiffClip RT650 is 6½" long, and may be used when wall studs do not align with roof framing member. The RT1300 is 13" long, and is used when wall studs align with roof framing member. Clips are designated by length, followed by thickness and number of screws used in each leg (determined by load requirements - see technical sheet for load tables).

Example: Stud aligns with roof framing member (see picture on right)

Designate: StiffClip® RT1300

* StiffClip RT650 are packaged in pairs. There are 50 pair in each box.



RT650

RT1300

Order Information

Designation	Qty/Box	Lbs/Box	Qty/Skid	Lbs/Skid
RT650-33	50 (pair)	15	2,000	600
RT650-43	50 (pair)	18	2,000	720
RT650-54	50 (pair)	22	2,000	880
RT1300-33	100	29	2,000	580
RT1300-43	100	35	2,000	700
RT1300-54	100	43	2,000	860

Utilizes only certified, 50ksi steel!

StiffClip® WC Web Connector

StiffClip WC Features

- Connects truss framing web members to chord members
- Stiffened ribs for added strength
- No time or expense spent cutting steel shapes

Nomenclature

StiffClip WC is designated by multiplying stud depth in inches by 100, then listing material, thickness and length.

Example: 3½" stud depth, 54mil steel thickness, 10" long

Designate: StiffClip® WC350-54,10" lg

Example Details



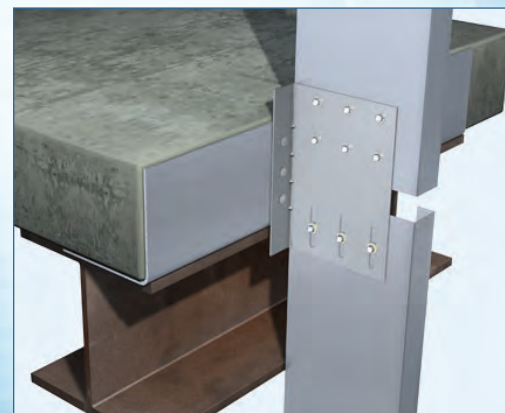
Order Information

Designation	Qty/Box	Lbs/Box	Qty/Skid	Lbs/Skid
WC350-54, 10" lg	100	56	4,500	2,555
WC350-118, 10" lg	50	62	2,250	2,825
WC550-54, 13" lg	50	58	1,600	1,891
WC550-118, 13" lg	25	63	800	2,051
WC750-54, 16" lg	25	48	1,500	2,915
WC750-118, 16" lg	12	51	720	3,095

Product Spotlight: Check Out VertiClip® Splice!



- Cost-effective alternative for connecting 2 non-axial load bearing studs to structure
- Load-rated positive mechanical attachment at each stud
- Connects a bypass rigid stud to structure while simultaneously attaching another wall stud below



Call TSN Today for More Information!

For more information on this and all of our other quality products, visit www.steelnetwork.com

US Patent # 5,906,080

Rigid Connection Product Line

Uplift, Cantilever & Multi-Purpose Connectors

Introduction:

TSN's StiffClip line of products offer a variety of uplift & multi-purpose connectors for all rigid connection applications.

Quality

- Load-rated positive mechanical attachment at each stud
- Attaches to structure with PAF or welds
- Utilizes only certified, 50ksi steel
- Meets all building code criteria
- Extensively tested

Value

- Aligns wall studs quickly and easily by accounting for construction tolerances with pre-punched guide holes for attachment
- Adaptable for multiple configurations
- Eliminates shims and scabs
- Reduces liability concerns associated with use of untested, miscellaneous untraceable material

StiffClip® AL Multi-Purpose

StiffClip AL Features

- Connects floor joists to beams and other structural components
- Stiffeners for additional strength
- No labor spent cutting scrap angle
- Used in a variety of applications

Nomenclature

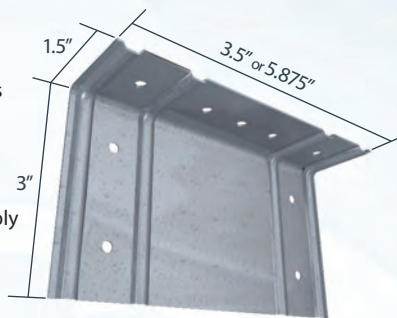
StiffClip AL is available for various stud depths. To specify, multiply stud depth by 100.*

Example: 6" stud depth

Designate: StiffClip® AL600

* The AL362 fits 3 5/8" and 4" member depths

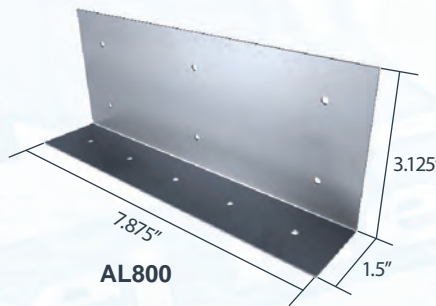
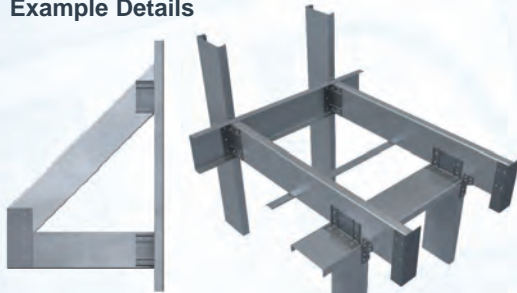
** Stiffening ribs are not present in the AL800.



AL362 & AL600



Example Details



AL800

Order Information

Designation	Qty/Box	Lbs/Box	Qty/Skid	Lbs/Skid
AL362	100	30	4,500	1,350
AL600	100	52	4,500	2,340
AL800	50	37	2,250	1,665

StiffClip® LS Spandrel/Multi-Purpose

StiffClip LS Features

- Utilized when connecting framing members in various applications
- Resists axial tension and compression loads
- Incorporate a stiffening lip, or ribs to increase compressive strength
- Various lengths allow flexibility
- Eliminates shims and scabs to accommodate stud tolerance from structure in spandrel walls

Nomenclature

StiffClip LS is available in various lengths. To calculate length for spandrel wall connectors, add stud depth, 3" for attachment to steel (5.5" for attachment to concrete), and the distance of construction tolerance. For other applications, simply designate length (in.) multiplied by 100.

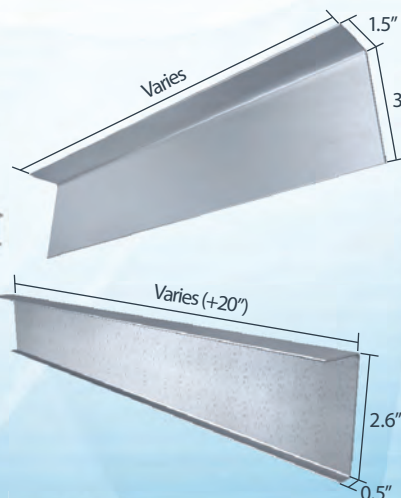
Example: 6" stud depth, 4" attachment to structure, 2" tolerance (6+4+2=12)

Designate: StiffClip® LS1200

* Return lip added to clips longer than 20" for strength

** Special Product drawing is required

Example Details



Order Information

Designation	Qty/Box	Lbs/Box	Qty/Skid	Lbs/Skid
LS1000	50	49	2,250	2,205
LS1200	50	55	2,250	2,475
LS1500	50	72	1,500	2,160
LS2000	25	49	1,500	2,940

StiffClip® CL Floor Tie

StiffClip CL Features

- Connects steel studs to the building's structure
- Incorporates stiffened legs of a 90° angle to increase bending strength
- Resists vertical, horizontal and torsional loads
- Reduces material (replaces heavy steel angles)
- Guide holes for connections to stud and deck

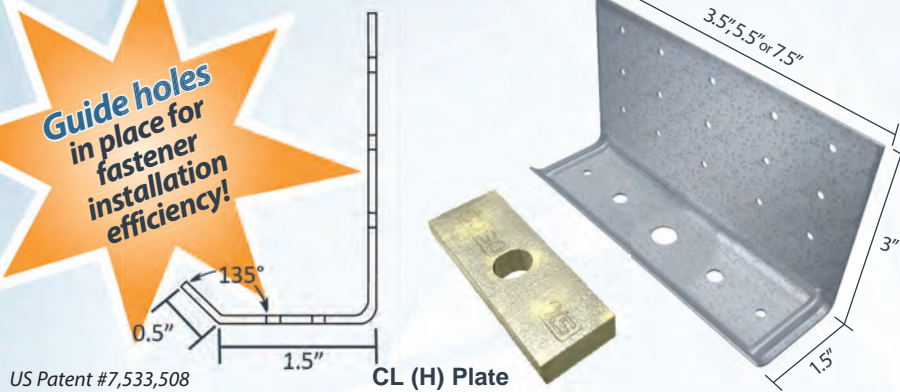
Nomenclature

To specify StiffClip CL on drawings, multiply stud depth by 100, followed by the appropriate material thickness, based on strength required (see technical sheet for load tables). The StiffClip CL118(H) utilizes a plate in the 1½" leg (shown below and in application image on right).

Example: 6" stud, uplift load of 650lbs

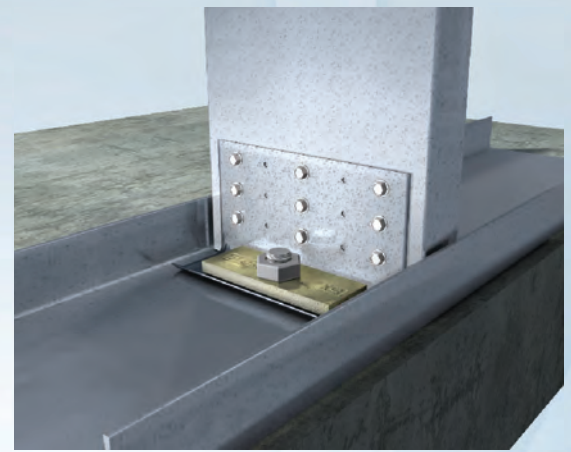
Designate: StiffClip® CL600-68

Guide holes
in place for
fastener
installation
efficiency!



US Patent #7,533,508

CL (H) Plate



Order Information

Designation	Qty/Box	Lbs/Box	Qty/Skid	Lbs/Skid
CL362/400-68	50	16	4,500	1,440
CL362/400-118	50	29	4,500	2,610
CL600-68	50	25	4,500	2,250
CL600-118	50	41	2,250	1,980
CL800-68	50	36	2,250	1,575
CL800-118	50	60	2,250	2,700
CL (H) Plate	50	24	4,500	2,430

MidWall™ Partial Wall Framing

MidWall Features

- Tested alternative in partial wall assemblies
- 3.625" and 6" meets IBC 2018 criteria Section 1607.8.1
- Loads are transferred to the floor system through a ½" thick plate nested in the flanges of the member
- May be used in place of standard framing members, or in conjunction with them to frame the wall
- Replaces labor/coordination of placing embedded angle into floor system
- Designed to support out-of-plane loading in cantilevered partial wall systems that are unsupported at the top track
- Test data for 2.5" depth MidWall is available

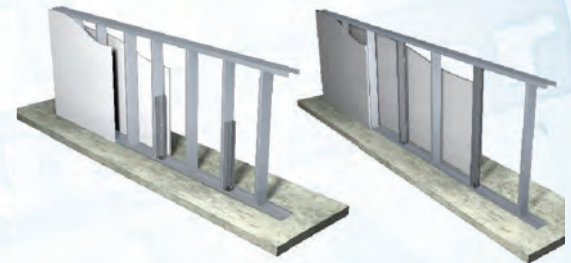
Nomenclature

MidWall is currently available in two heights and three depths. Product nomenclature lists the member depth first followed by the height in inches. Custom lengths available on request.

Example: 6" web depth, 24" tall MidWall

Designate: 600MW-24

US Patent #8,387,321



Order Information

Designation	Lbs/pc	Qty/Skid	Lbs/Skid
250MW-24	5.63	304	1,711
250MW-48	10.33	152	1,571
362MW-24	7.50	208	1,558
362MW-48	13.50	104	1,404
600MW-24	10.38	160	1,662
600MW-48	18.31	80	1,465

StiffClip® TD Uplift Connector

StiffClip TD Features

- Unique design allows for the anchoring of wood or steel studs to the foundation
- Clip utilizes certified, 60ksi steel
- Incorporates a 0.5" steel stiffening plate for strength
- Effective solution in wall stud tie-downs or as the anchorage component in conventional, strap/gusset-plate shear wall construction
- Reduces material (replaces heavy steel angles)
- Resists vertical uplift loads

Nomenclature

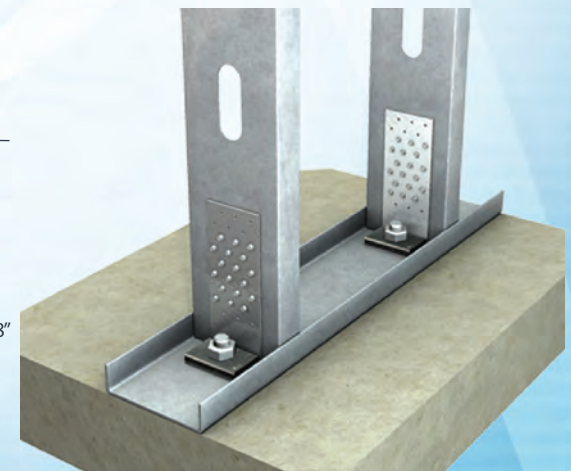
StiffClip TD is available in one size and utilizes a 0.5" plate on top of the 2.375" leg

Designate: StiffClip® TD

Example Details



Patent Pending



Order Information

Designation	Qty/Box	Lbs/Box	Qty/Skid	Lbs/Skid
StiffClip® TD	25	54	1125	2,408

Bridging Product Line

Wall Connectors

Introduction:

TSN's bridging connections work together with almost any stud spacing to resist weak axis buckling and torsional rotation of members. Used in both interior and exterior applications, TSN's line of bridging products can save hours of installation time and thousands of dollars in a single project.

Quality

- Load-rated positive mechanical attachment at each stud
- Utilizes only certified, 50ksi steel
- Accommodate most wall stud spacing, including 8", 12", 16" & 24" centers

Value

- Fast installation, where no clamping or welding is required
- Guide holes provided for quick and accurate fastener placement
- TSN's bridging products work flawlessly together as a system

BridgeBar® Bridging Channel

BridgeBar Features

- Replaces cold-rolled channel (CRC) for bridging
- Unique grooves that adjust to various stud thicknesses every 4" trap stud web
- 52-inch length allows for 4" lap at joints for continuous walls
- Incorporates stiffeners to resist compressive loads through the plane of the wall
- Use through 3/4" and 1 1/2" stud punch outs
- Easily accommodates studs up to 54 mil in thickness

Nomenclature

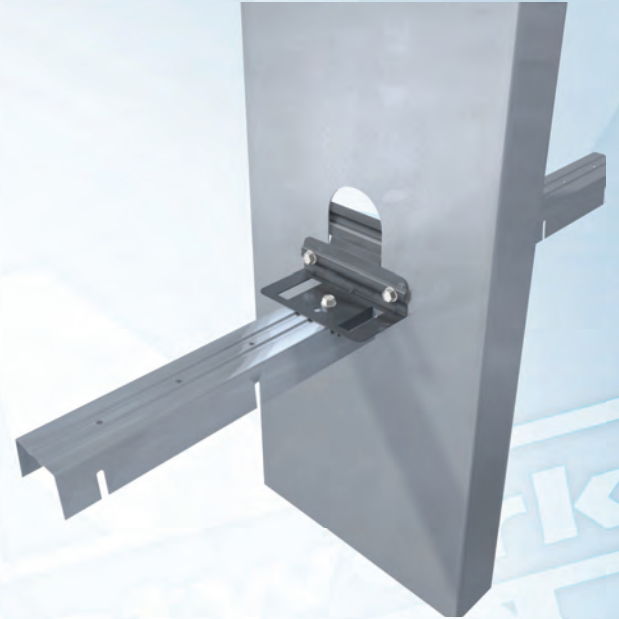
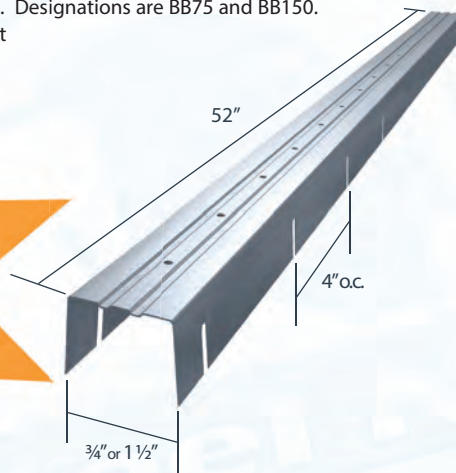
BridgeBar is available in 3/4" and 1 1/2" widths. Designations are BB75 and BB150.

Example: Stud with 3/4" knockout

Designate: BB75



US Patent #6,701,689



Order Information

Designation	Qty/Box	Lbs/Box	Qty/Skid	Lbs/Skid
BB75	50	49	2,000	1,960
BB150	50	70	1,250	1,750

BridgeClip® Secures Channel to Stud

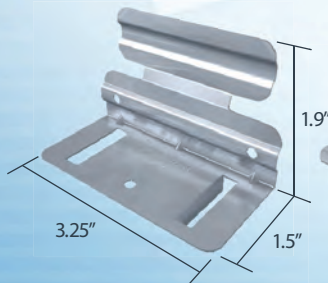
BridgeClip Features

- Secures BB 150 or 1 1/2" cold-rolled channel (CRC) to stud
- Resists both lateral and twisting loads
- Rounded edges for safety
- Engineered to accommodate loads that have traditionally been addressed with generic angle
- Laborers are working on installation, not cutting angle

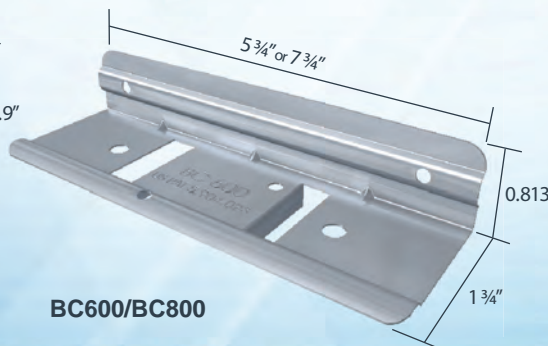
Nomenclature

BridgeClip recommended for 3 5/8", 6" and 8" wall studs and is designated by the type, BC. Designations are BC-33, BC-43, BC600 & BC800.*

BridgeClip® easily handles up to a 6" stud with 25 PSF loads with only 1 screw!*



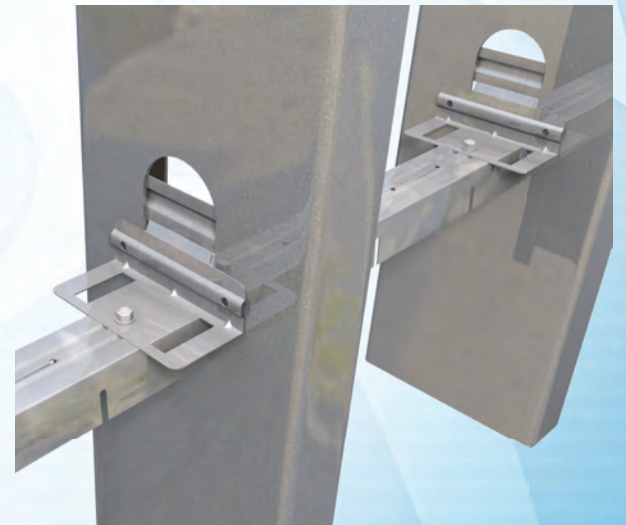
BC-33/BC-43



BC600/BC800

* Refer to allowable load table at www.steelnetwork.com

US Patent #5,904,023



Order Information

Designation	Qty/Box	Lbs/Box	Qty/Skid	Lbs/Skid
BC-33	250	30	12,000	1,440
BC-43	200	37	9,600	1,776
BC600	150	30	7,200	1,440
BC800	100	28	4,800	1,344

BuckleBridge® used for Curtain Wall

Proven, field tested and a valuable component in the future of light steel framing construction!



**BUCKLE UP
SPEED UP**

Insert



Click



Done!*



Saving Benefits

- Fewer Screws Needed!!
- Reduces Install Cost for Walls!
- No Twisting with GWB Installation!
- Added Strength!
- Suitable for 6" & 8" Walls at 16" o.c.!
- Meets All Code Requirements!
- Automatically Aligns Studs!

* Use (1) #10 screw on alternate sides of the BuckleBridge at 3rd stud (48" o.c.) Use (2) #10 screws at end of wall run.

BuckleBridge® Bridging/Bracing Member

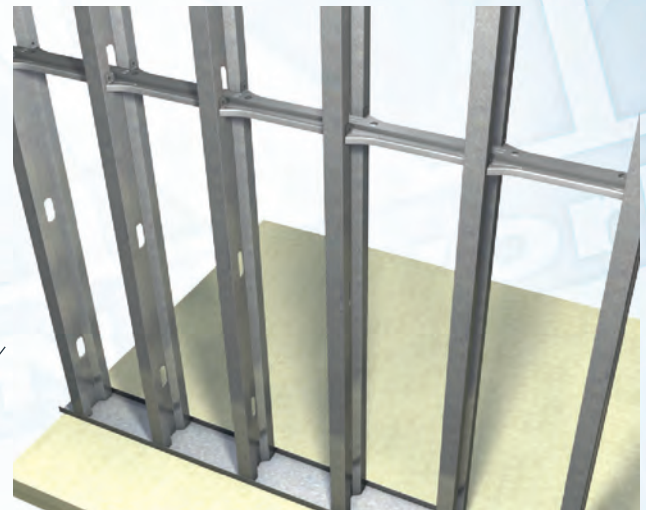
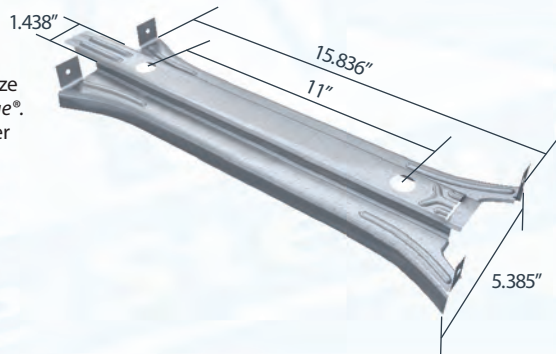
BuckleBridge Features

- Fits in SigmaStud® and standard "cee" stud sections, 6" and 8" web depths
- Guide holes for accurate placement of fasteners to stud
- No threading channels through knockouts
- Meets AISI bridging stiffness requirements
- Tabs lock into slots for continuous system
- Fast installation
- No welding

Nomenclature

BuckleBridge comes in one size and is designated BuckleBridge®. It is used with 16" o.c. member spacing.

* Holes are 3/4" diameter



US Patents #7,596,921, #7,836,657 & #8,205,402

Order Information

Designation	Qty/Box	Lbs/Box	Qty/Skid	Lbs/Skid
BuckleBridge®	50	50	2,000	2,000

NotchTrak® NT Bridging Alternative

NotchTrak NT Features

- Meets OSHA & IBC load requirements
- Meets OSHPD 2013 CBC Standard Backing Details for Cabinet and Grab Bar (Details ST5.00 and ST5.03)
- Member utilizes only certified, 50ksi steel
- Notches every 16" or 24" o.c. to accommodate most wall stud spacings
- May be used as wall backing or wall bridging as shown

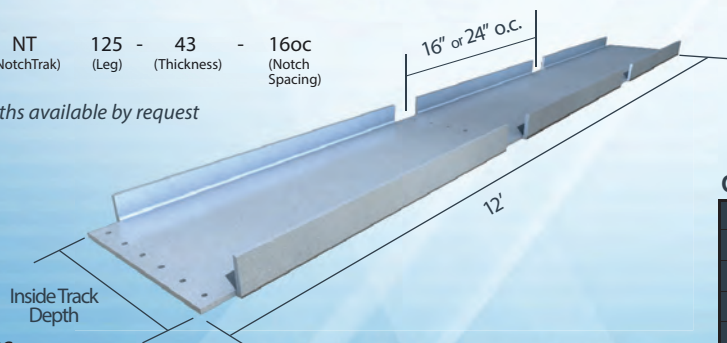
Nomenclature

NotchTrak is manufactured in 12 ft. lengths. NotchTrak is designated by track depth in inches multiplied by 100, followed by type (NT), leg size, mil thickness and notch spacing.

Example:

600 (Inside Track Dimension) NT (NotchTrak) 125 (Leg) - 43 (Thickness) - 16oc (Notch Spacing)

* Special lengths available by request



Patent Pending



Order Information

NotchTrak Depths	6", and 8"
Leg Size	1.25"
Available Thicknesses	43, 54 and 68 Mills
Notch Spacing	16" and 24" o.c.
Notch Size	2"

Drift Connection Product Line

Drift & Vertical Deflection Connectors

Introduction:

All of TSN's drift & vertical deflection connections accommodate vertical deflection and lateral drift requirements of the structure. DriftClip's unique design provides both an anti-friction and anti-seizure connection between the clip and the stud web surface. The DriftClip line of products offer a variety of drift & vertical deflection connectors for all connection applications.

Quality

- Load-rated positive mechanical attachment at each stud
- Attaches to structure with PAF or welds
- Utilizes only certified, 50ksi steel
- Meets all building code criteria
- Friction-free movement with TSN's Step Bushing Technology®

Value

- Step bushings pre-installed for accurate placement
- Load-rated screws provided with each connection
- Eliminates loose friction-held track assemblies and temporary screws
- Adaptable for multiple configurations
- Eliminates shims and scabs
- Aligns wall studs quickly and easily by accounting for construction tolerances

DriftClip® DSLB Exterior Bypass Slab

DriftClip DSLB Features

- Load transferred from stud web
- Vertical slots allow up to 2" vertical deflection (1" up and 1" down)
- Horizontal slots accommodate up to 2" lateral drift (1" left and 1" right)**
- Allows attachment to concrete deck with ¼" nominal screw anchors

Nomenclature

DriftClip® DSLB is classified by multiplying stud depth by 100.*

Example: 6" stud depth

Designate: DriftClip® DSLB600

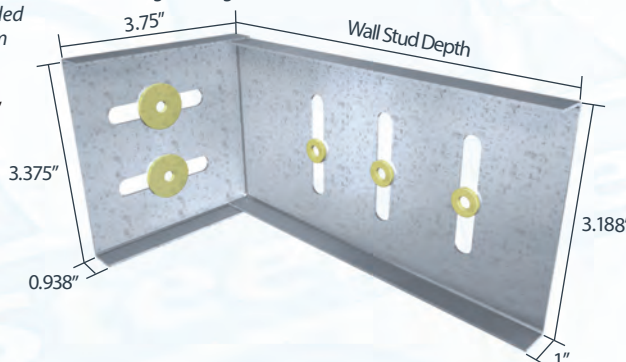
* Parts with the designation "-CA" on the end of the part name includes a special bushing available to allow connection to the side of the concrete slab using two ¼" concrete screw anchors

** If more than 2" lateral drift is required, contact TSN engineering.

*** One row of bridging is recommended at a maximum distance of 12" from DriftClip to resist torsional effects.



DriftClip® DSLB362/400,
DSL600 & DSL800
ICC-ESR-2049
www.icc-es.org



US Patent #6,612,087



Order Information

Designation	Qty/Box	Lbs/Box	Qty/Skid	Lbs/Skid
DSL362/400	50	36	2,250	1,620
DSL362/400-CA	50	36	2,250	1,620
DSL600	25	35	750	1,080
DSL600-CA	25	35	750	1,080
DSL800	25	40	1,125	1,800
DSL800-CA	25	40	1,125	1,800

DriftClip® DSLS Exterior Bypass Structure

DriftClip DSLS Features

- Load transferred from stud web
- Vertical slots allow up to 2" vertical deflection (1" up and 1" down)
- Horizontal slots accommodate up to 2" lateral drift (1" left and 1" right)*

Nomenclature

DriftClip® DSLS is classified by multiplying stud depth by 100, followed by length.

Example: 6" stud depth, 15" length

Designate: DriftClip® DSLS600-15

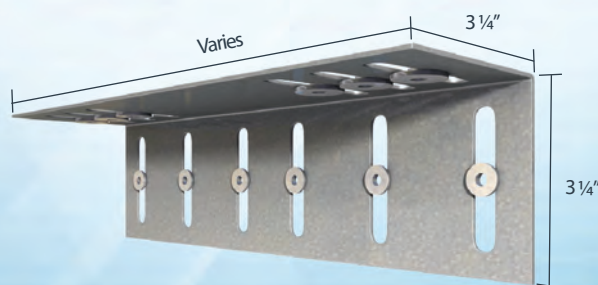
* If more than 2" lateral drift is required, contact TSN engineering.

** One row of bridging is recommended at a maximum distance of 12" from DriftClip to resist torsional effects.

*** Three screws & step bushings are available for attachment to stud in 6" sizes and higher. Specify that 3 slots are needed when placing order.



DriftClip® DSLS600-12
& DSLS600-15
ICC-ESR-2049
www.icc-es.org



US Patent #6,612,087



Order Information

Designation	Qty/Box	Lbs/Box	Qty/Skid	Lbs/Skid
DSL362/400-9	25	39	1,125	1,755
DSL362/400-12	25	53	1,125	2,385
DSL600-10	25	43	1,125	1,935
DSL600-12	25	52	1,125	2,340
DSL600-15	25	66	1,000	2,640
DSL600-20	25	89	1,500	5,340
DSL800-12	25	52	1,125	2,340
DSL800-15	25	66	1,000	2,640
DSL800-20	25	89	1,500	5,340

DriftClip® DSLD Interior Head of Wall

DriftClip DSLD Features

- Accommodates interior head of wall vertical deflection and lateral drift requirements
- Load transferred from stud web
- Vertical slots allow up to 2" vertical deflection (1" up and 1" down)
- Horizontal slots accommodate up to 2" lateral drift (1" left and 1" right)*

Nomenclature

DriftClip® DSLD is classified by multiplying stud depth by 100.

Example: 6" stud depth

Designate: DriftClip® DSLD600

* If more than 2" lateral drift is required, contact TSN engineering.

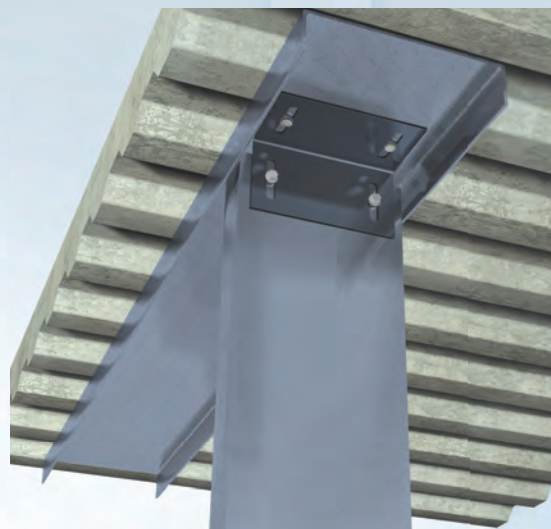
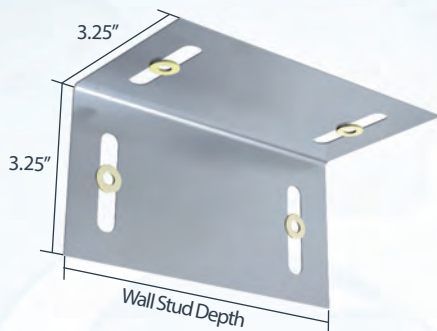
** Three screws & step bushings are available in 6" sizes and higher. Specify that 3 slots are needed when placing order.



DriftClip® DSLD362/400,
DSL600 & DSL800
ICC-ESR-2049
www.icc-es.org

Tested per UL2079

US Patent #6,612,087



Order Information

Designation	Qty/Box	Lbs/Box	Qty/Skid	Lbs/Skid
DSL362/400	100	41	4,500	1,845
DSL600	50	34	2,250	1,530
DSL800	50	46	2,250	2,070

DriftClip® DSL Exterior Head of Wall

DriftClip DSL Features

- Accommodates exterior head of wall vertical deflection and lateral drift requirements
- Load transferred from stud web
- Vertical slots allow up to 2" vertical deflection (1" up and 1" down)
- Horizontal slots accommodate up to 2" lateral drift (1" left and 1" right)**
- Allows attachment to concrete deck with 1/4" nominal screw anchors

Nomenclature

DriftClip® DSL is classified by multiplying stud depth by 100.*

Example: 6" stud depth

Designate: DriftClip® DSL600

* Parts with the designation "-CA" on the end of the part name includes a special bushing available to allow connection to the side of the concrete slab using two 1/4" concrete screw anchors.

** If more than 2" lateral drift is required, contact TSN engineering.

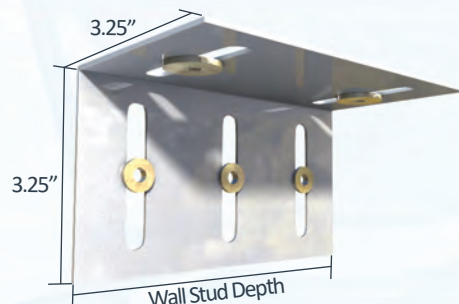
*** Three screws & step bushings are standard in 6" sizes and higher.

**** One row of bridging is recommended at a maximum distance of 12" from DriftClip to resist torsional effects.



DriftClip® DSL362/400,
DSL600 & DSL800
ICC-ESR-2049
www.icc-es.org

US Patent #6,612,087



Order Information

Designation	Qty/Box	Lbs/Box	Qty/Skid	Lbs/Skid
DSL362/400	50	36	2,250	1,620
DSL362/400-CA	50	36	2,250	1,620
DSL600	50	60	2,250	2,700
DSL600-CA	50	60	2,250	2,700
DSL800	25	40	1,125	1,800
DSL800-CA	25	40	1,125	1,800

Did You Know?

- The Steel Network is the **ONLY** manufacturer that holds an ICC-ES evaluation report for clip products utilized for vertical deflection and lateral drift applications!
- TSN products have undergone extensive field and laboratory testing in accordance with ICC-ES AC261 to achieve complete solutions for both designers and installers.
- Evaluation Report ESR# 2049 certifies that TSN's VertiClip®, DriftClip® and DriftTrak® products are in compliance with International Building Code (IBC).

Call TSN today for more information!

Hutto, TX Phone: (512) 642-9603
Las Vegas, NV Phone: (702) 643-4330

032020
www.steelnetwork.com

Durham, NC (Headquarters) Phone: (919) 845-1025
Toll Free Nationwide Phone: (888) 474-4876

Drift Connection Product Line

Drift Tracks & Connections

Introduction:

For longer spans of wall, TSN's line of DriftTrak® products provides greater lateral drift for wall spans than their standard DriftClip® Series. The track is designed to attach directly on the underside of the wide flange beam, or floor slab inside the standard top track for head of wall conditions. For bypass framing, it attaches at the edge of the slab. DriftTrak clips twist easily into the rails of the track and vertical slots attach to the stud. The clip slides freely across the rail of the track, so lateral movement is limited only by the spacing of wall studs.

Quality Features

- Load-rated positive mechanical attachment at each stud
- Utilizes only certified, 50ksi steel
- Grooves in 1" leg pass over fastener heads
- Friction-free movement with TSN's Step Bushing Technology®

Value

- Step bushings & stiffener pre-installed for accurate placement
- Load rated screws provided for each connection
- Eliminates loose friction-held track assemblies and temporary screws
- Drift amount limited only to stud spacing and wall termination

DriftTrak® DTSL Head of Wall

DriftTrak DTSL Features

- Accommodates vertical deflection and lateral drift requirements at the head of wall
- Vertical slots allow up to 2" vertical deflection (1" up and 1" down)

Nomenclature

DriftTrak DTSL is available in one size for all stud depths over 3 5/8".

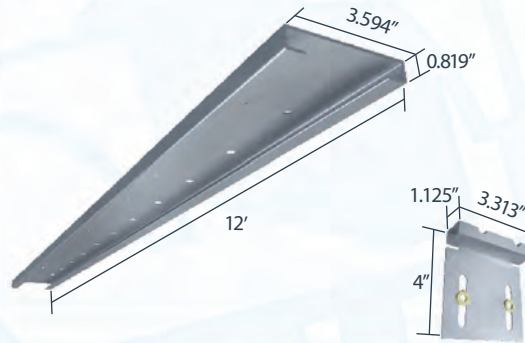
Example: 6" stud depth

Designate: DriftTrak® DTSL

* One row of bridging is recommended at a maximum distance of 12" from DriftTrak to resist torsional effects.

** A top track is required for closure of the wall assembly.

*** Clips and track sold separately.



US Patent #7,503,150



Order Information

Designation	Qty/Box	Lbs/Box	Qty/Skid	Lbs/Skid
DTSL	50	22	2,250	990
DriftTrak	N/A	25 (per piece)	100	2,500
DriftTrak DTH-10ft	N/A	23 (per piece)	50	1,150
DriftTrak DTH-12ft	N/A	30 (per piece)	50	1,500

DriftTrak® DTSLB Bypass

DriftTrak DTSLB Features

- Accommodates vertical deflection and lateral drift requirements in a bypass condition
- Vertical slots allow up to 2" vertical deflection (1" up and 1" down)

Nomenclature

DriftTrak DTSLB is classified by multiplying stud depth by 100, followed by "HD," based on F2 strength required. Refer to load tables.*

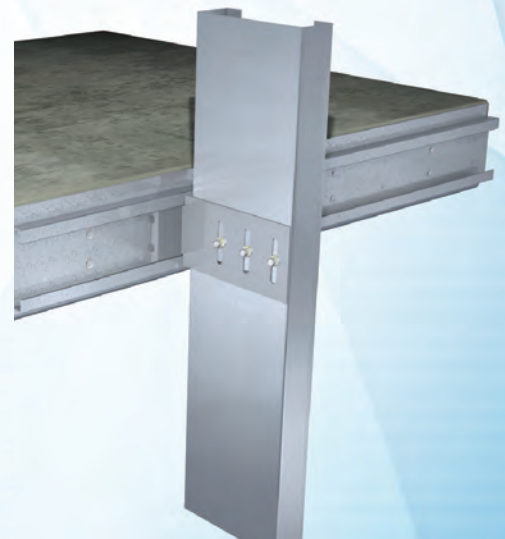
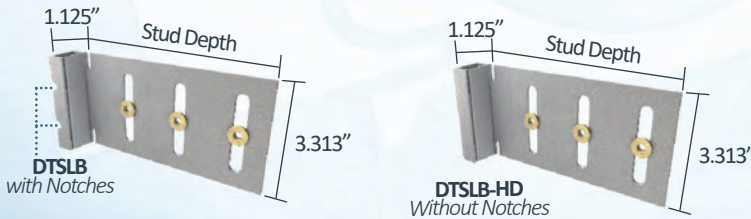
Example: 6" stud depth, with an outward load (F2) of 1,000 lbs

Designate: DriftTrak® DTSLB600-HD

* Notches are standard in DriftTrak DTSLB. For greater F2 outward load capacity, use DTSLB-HD clips w/o notches.

Refer to Allowable Load Table.

** Clips and track sold separately.

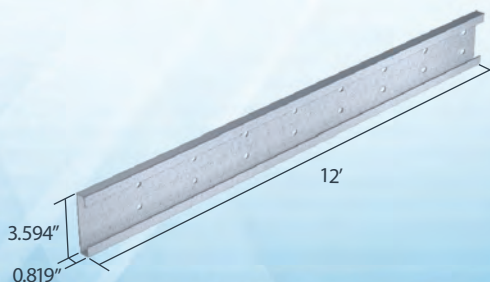


Order Information

Designation	Qty/Box	Lbs/Box	Qty/Skid	Lbs/Skid
DTSLB362/400	50	25	2,250	1,125
DTSLB362/400-HD	50	25	2,250	1,125
DTSLB600	50	32	2,250	1,440
DTSLB600-HD	50	32	2,250	1,440
DTSLB800	50	42	2,250	1,890
DTSLB800-HD	50	42	2,250	1,890
DriftTrak	N/A	25 (per piece)	100	2,500
DriftTrak DTH-10ft	N/A	23 (per piece)	50	1,150
DriftTrak DTH-12ft	N/A	30 (per piece)	50	1,500



US Patent #7,503,150



DriftTrak® DTLB Bypass

DriftTrak DTLB Features

- Accommodates lateral drift requirements in a bypass condition with a rigid connection to the stud

Nomenclature

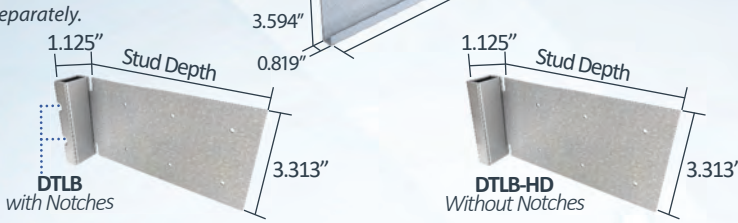
DriftTrak DTLB is classified by multiplying stud depth by 100.

Example: 6" stud depth

Designate: DriftTrak® DTLB600

- * Notches are standard in DriftTrak DTSLB. For greater F2 outward load capacity, use DTLB-HD clips without notches. Refer to Allowable Load Table.

** Clips and track sold separately.



US Patents #7,503,150



Order Information

Designation	Qty/Box	Lbs/Box	Qty/Skid	Lbs/Skid
DTLB600	50	40	2,250	1,771
DTLB600-HD	50	40	2,250	1,771
DTLB800	50	49	2,250	1,203
DTLB800-HD	50	49	2,250	1,203
DriftTrak	N/A	25 (per piece)	100	2,500
DriftTrak DTH-10ft	N/A	23 (per piece)	50	1,150
DriftTrak DTH-12ft	N/A	30 (per piece)	50	1,500

DriftTrak® Headed Stud Slab Integrated Bypass

DriftTrak Headed Stud Features

- Can be installed with any DriftTrak bypass clip
- Headed Studs preinstalled
- Eliminates the need to attach DriftTrak to the pour stop angle of the slab after it has been formed

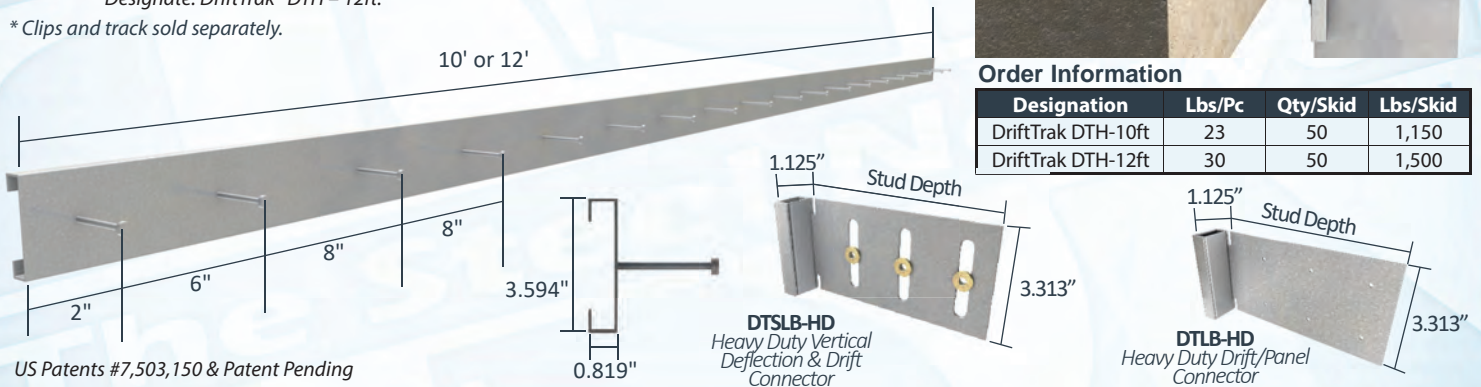
Nomenclature

DriftTrak® - Headed Stud comes in 10' or 12' lengths, with headed studs in a single, centered row. To specify DriftTrak, list "DTH," followed by the length.

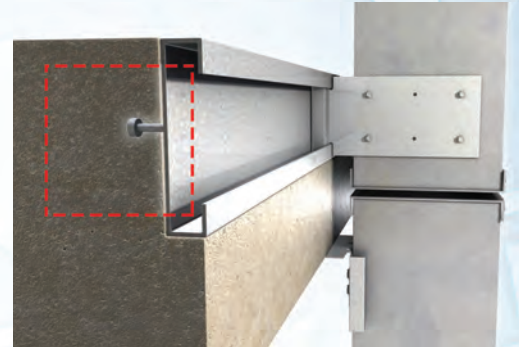
Example: 12 ft. length

Designate: DriftTrak® DTH - 12ft.

* Clips and track sold separately.



US Patents #7,503,150 & Patent Pending



Order Information

Designation	Lbs/Pc	Qty/Skid	Lbs/Skid
DriftTrak DTH-10ft	23	50	1,150
DriftTrak DTH-12ft	30	50	1,500

DriftTrak® Headed Stud - PTS Slab Integrated Bypass - Post Tensioned Concrete Slabs

DriftTrak Headed Stud - PTS Features

- Fits above or under the high-strength tendon reinforcing at edge of slab
- Headed Studs preinstalled
- Eliminates the need to attach DriftTrak to the pour stop angle of the slab after it has been formed

Track Nomenclature

DriftTrak® - Headed Stud -PTS comes in 12' lengths, with headed studs in a single, centered row. To specify DriftTrak - PTS, list "DTH-PTS," followed by the length.

Example: DriftTrak® DTH-PTS - 12ft.

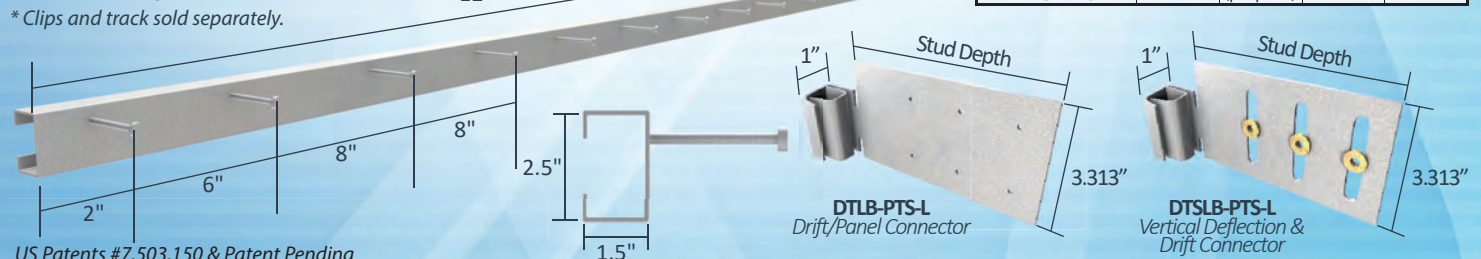
Connector Nomenclature

DriftTrak® DTLB-PTS & DTSLB-PTS are made for 6" studs. They are classified by multiplying stud depth by 100, followed by "PTS."

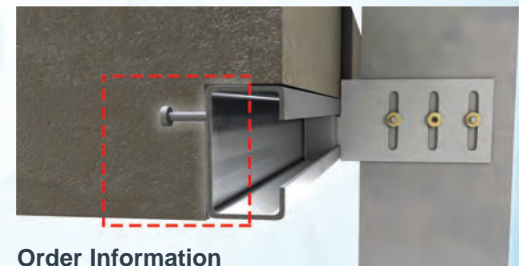
Example: Vertical Deflection Required

Example: DriftTrak® DTSLB600-PTS-L 12'

* Clips and track sold separately.



US Patents #7,503,150 & Patent Pending



Order Information

Designation	Qty/Box	Lbs/Box	Qty/Skid	Lbs/Skid
DTLB600-PTS-L	50	39	2,250	1,755
DTLB600-PTS-R	50	39	2,250	1,755
DTSLB600-PTS-L	50	39	2,250	1,755
DTSLB600-PTS-R	50	39	2,250	1,755
DriftTrak DTH-PTS-12ft	N/A	32 (per piece)	50	1,600

Heavy Duty Products

Alternative Seismic Connectors

Introduction:

TSN's new Heavy Duty (HD) clip line for VertiClip® and StiffClip® is engineered to provide a much needed solution to this challenge. VertiClip SLB-HD & StiffClip LB-HD connect curtain wall studs, bypassing the building structures to the concrete deck of the primary structure using concrete anchors by either two ¼" concrete screw anchors or one ½" expansion anchor (for VertiClip SLB- HD). Not only does this meet the seismic building code requirement, but it also eliminates the need for welding, saving you both time and money.

Quality Features

- Load-rated positive mechanical attachment at each stud
- Attaches to structure with concrete anchors when PAF's are not allowed
- Utilizes only certified, 50ksi steel
- Meets all building code criteria

Value

- Aligns wall studs quickly and easily by accounting for construction tolerances with pre-punched guide holes for attachment
- Eliminates shims and scabs

VertiClip® SLB-HD Bypass Slab

VertiClip SLB-HD Features

- Attaches to primary structure slab with either two ¼" concrete screws or one ½" concrete anchor
- Eliminates flange-loaded clips, which do not address web-crippling
- Eliminates loose friction-held track assemblies and temporary screws while providing friction-free movement
- Load rated screws provided for each connection
- Load transferred from stud web
- Step Bushings pre-installed for accurate placement
- Allows up to 2" vertical deflection (1" up and 1" down)
- Eliminates bridging or strapping within the bridging spacing from the connection

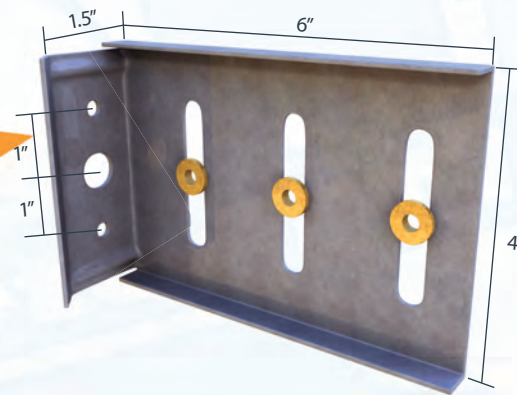
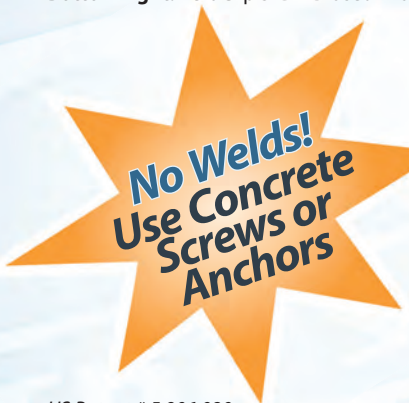
Nomenclature

VertiClip SLB-HD is designed to be used with 6" studs and is designated VertiClip® SLB600-HD

Application Images on Right

Top right: VertiClip SLB-HD used with (1) ½" anchor

Bottom right: VertiClip SLB-HD used with (2) ¼" concrete screws



US Patent # 5,906,080

Order Information

Designation	Qty/Box	Lbs/Box	Qty/Skid	Lbs/Skid
SLB600-HD	50	38	2,250	1,710

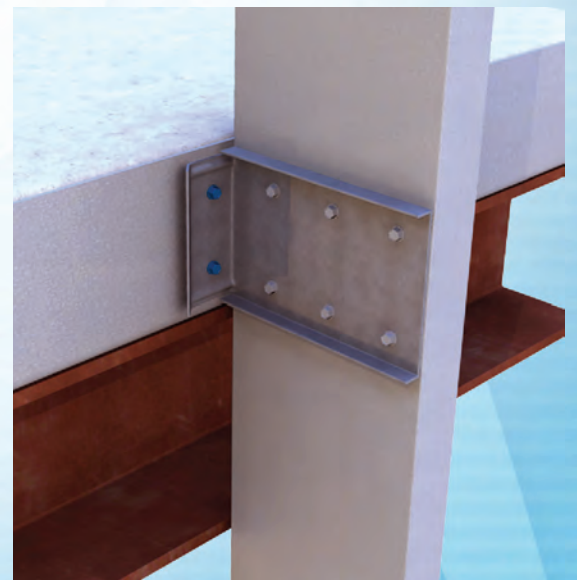
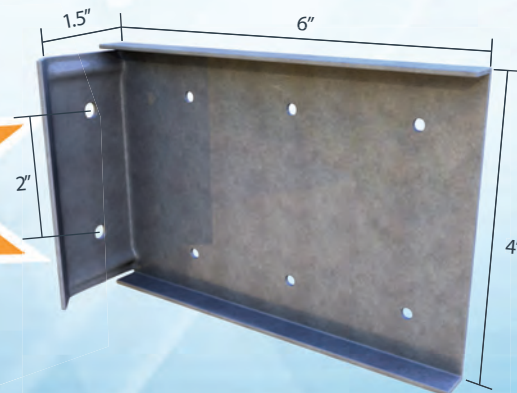
StiffClip® LB-HD Bypass Slab

StiffClip LB-HD Features

- Structurally load tested in both horizontal and vertical conditions
- Leg stiffeners increase bending strength
- Attaches to primary structure slab with two ¼" concrete screws
- Replaces expensive bracing
- Resists vertical and horizontal loads

Nomenclature

StiffClip LB-HD is designed to be used with 6" studs and is designated StiffClip® LB600-HD

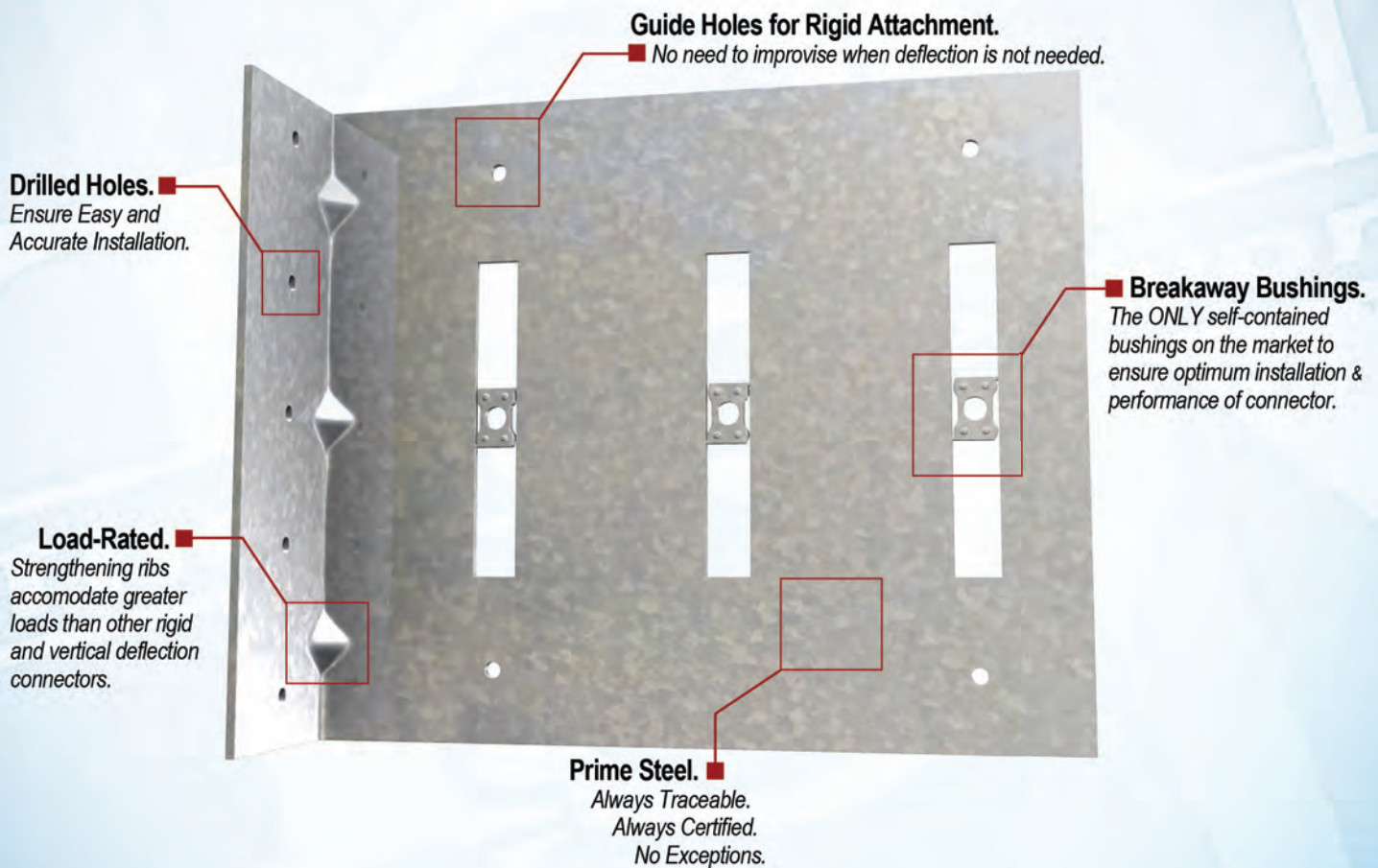


Order Information

Designation	Qty/Box	Lbs/Box	Qty/Skid	Lbs/Skid
LB600-HD	50	38	2,250	1,710

Simplified Design

To Improve Your Bottom Line



MasterClip®

The Truly Superior Connector

Specialty Products

Non-Loadbearing

Introduction:

The Steel Network strives to provide solutions for all standard light steel framing applications, including interior, non-loadbearing applications. Substantial effort has been made by the industry to standardize construction practices to ensure the positive connections of light steel framing components. Toward this end, TSN products have undergone extensive field and laboratory testing to achieve complete solutions for both designers and installers. Aside from standard products, The Steel Network is equipped to manufacture cold-formed steel connections of any size and shape. Our streamlined manufacturing process enables us to meet your conditions with a minimal lead time and competitive cost. Simply tell us what you need and we'll deliver a custom product with a quick turnaround.

Quality

- Utilizes only certified, 50ksi steel
- Friction-free movement with TSN's Step Bushing Technology® (where needed)
- Additional testing available by request

Value

- Step bushings & stiffener pre-installed for accurate placement (where needed)
- Simplified installation
- Load rated screws provided for each connection (with step bushings)

GripClip® Column/Beam Connector

GripClip Features

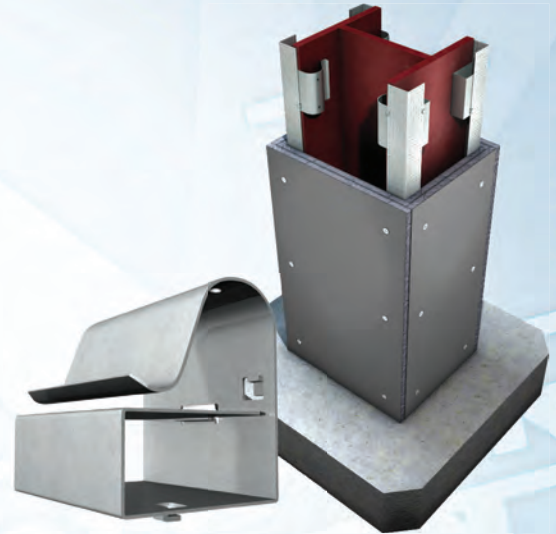
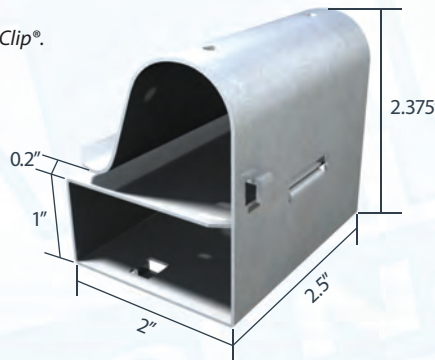
- Grips on flanges of steel columns and beams for gypsum board attachment
- Designed to accept 25ga continuous angle in the snap tabs
- Saves material and time vs. stud framing
- Corner angle snaps into place without using screws
- Accommodates flange thickness from 1/4" to 1"
- 'Snap tabs' accept the continuous angle for fast installation
- Use in fire-rated and non-fire-rated assemblies

Nomenclature

GripClip is made in one size and is designated GripClip®.



Patent # 8,132,383



Order Information

Designation	Qty/Box	Lbs/Box	Qty/Skid	Lbs/Skid
GripClip®	48	10	2,160	450

CircleTrak® Curved Wall Track

CircleTrak Features

- Enables quick setting and re-setting of the wall curvature
- Provides a simplified installation of curved walls
- Ability to form curves by hand with no additional tools
- Maintains its curved shape until permanently installed
- Simplified installation increases productivity
- Quickly resets after initial installation

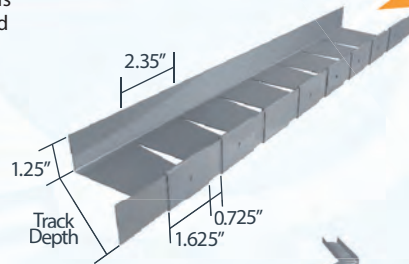
Nomenclature

CircleTrak is available in 10' lengths and is designated by inside web depth x 100, then style (CT), followed by leg length and then material thickness in mils.

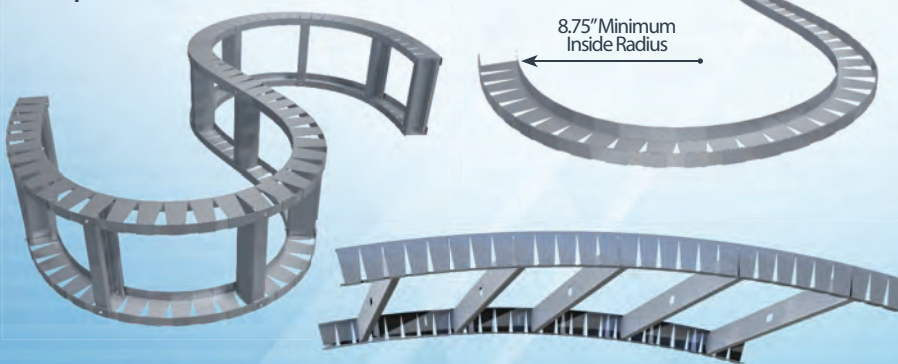
Example: 6" inside web depth

Designate: 600CT125-33

Bends By Hand!



Example Details



Order Information

Designation	Lbs/Piece	Qty/Skid	Lbs/Skid
250CT125-33	9	100	900
350CT125-33	10	100	1,000
362CT125-33	10	100	1,000
550CT125-33	11	98	1,078
600CT125-33	12	98	1,176

BackIt® Wall Backing

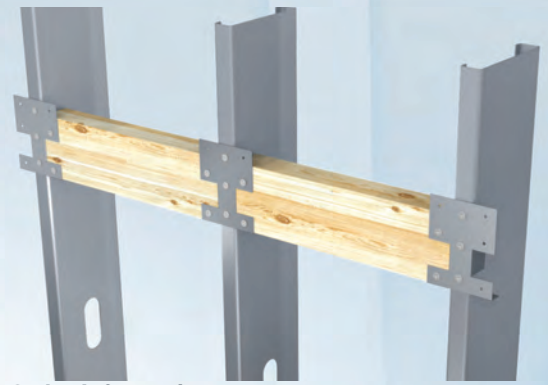
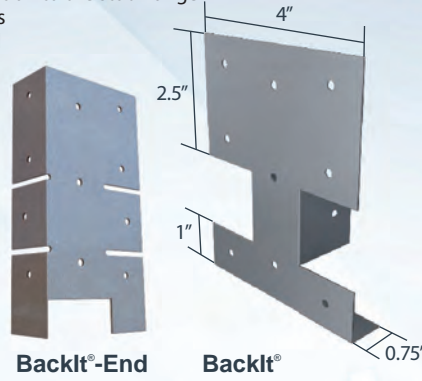
BackIt Features

- Provides solid backing to support handrails, wall-mounted shelving, and other equipment
- Simplified installation through a simple screw connection to the stud flange
- Resists load in the directions recommended by codes
- End your run with a clean corner by using BackIt-End
- Shelf tabs hold wood in place during installation
- May be used with multiple sizes of wood
- No pre-determined stud layout

Nomenclature

BackIt is designed to be used with studs having flanges up to 1 3/8" wide,* & is designated BackIt®

* Custom clips are available by request for use with studs having flanges greater than 1 3/8"



Order Information

Designation	Qty/Box	Lbs/Box	Qty/Skid	Lbs/Skid
BackIt®	50	12.65	2,250	570
BackIt®-End	50	12.65	2,250	570

US Patent #7,559,519

Common Clip Angle

Clip Angle Features

- Pre-punched holes in clips for fastener efficiency
- Any thickness up to & including 10ga (118mil)
- Custom angles and punch patterns available by request*

Nomenclature

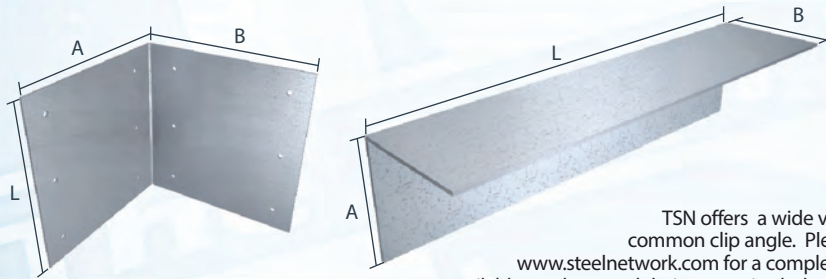
Clip Angle can be manufactured to any specifications, however TSN stocks some more common sizes. Angle is classified with the letter "L" followed by (Leg A) x (Leg B) x length (inches), then mil thickness.

Example: Leg A = 3", Leg B = 3", Length = 5 3/4", 54 mil material

Designate: L3x3x5.75-54

* Special product drawing is required for all non standard products.

** Common stocked angles come pre-punched for easy installation, though holes are not required.



TSN offers a wide variety of common clip angle. Please visit www.steelnetwork.com for a complete list of available products and their respective hole patterns.

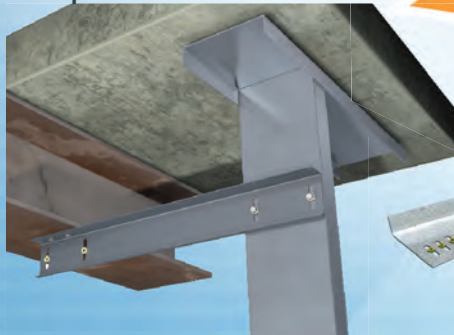
Designation	Qty/Box	Lbs/Box	Qty/Skid	Lbs/Skid
L1.5x1.5x3.5-54	250	42	15,000	2,535
L1.5x1.5x3.5-97	150	46	9,000	2,733
L1.5x1.5x5.5-54	150	40	13,500	3,586
L1.5x1.5x5.5-97	100	48	6,000	2,863
L1.5x1.5x7.5-54	100	36	6,000	2,173
L1.5x1.5x7.5-97	50	33	3,000	1,952
L2x2x3.5-33	250	34	15,000	2,066
L2x2x5.5-54	100	35	6,000	2,125
L2x2x5.5-97	50	32	3,000	1,909
L2x2x5.5-68-9H	100	45	6,000	2,677
L2x2x5.5-97-9H	75	48	4,500	2,863
L2x2x7.5-54	75	36	4,500	2,173
L2x2x7.5-97	50	43	3,000	2,603
L3x3x3-54	150	43	13,500	3,912
L3x3x3-97	75	39	6,750	3,514
L3x3x5.5-54	75	40	6,750	3,586
L3x3x5.5-97	50	48	3,000	2,863
L3x3x7.5-54	50	36	3,000	2,173
L3x3x7.5-97	25	33	1,500	1,952
L4x4x4-54	75	39	3,375	1,738
L4x4x4-97	50	46	2,250	2,082
L4x4x5.5-54	50	35	2,250	1,594
L4x4x5.5-97	25	32	1,125	1,432
L4x4x7.5-54	50	48	3,000	2,897
L4x4x7.5-97	25	43	1,500	2,603
L6x6x6-54	25	29	1,125	1,304
L6x6x6-97	25	52	1,125	2,343
L1.5x4x5.5-54	75	37	4,500	2,191
L1.5x4x5.5-97	50	44	3,000	2,625

Custom Connections All Applications

TSN's Custom Product Features

- Modify any standard product made by TSN to fit your needs
- Place step bushings anywhere in clip slots
- Any angle pitch or slope
- Structural testing available
- Solve problems in new or retrofit construction
- Any shape can be manufactured
- Any thickness up to & including 10ga (118mil)

Example Details

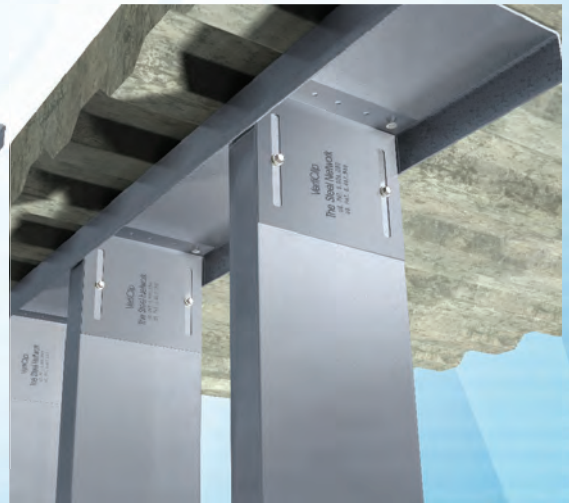


Custom VertiClip® SLS (extra long)



Custom VertiClip® SLB

Custom VertiClip® Splice



Custom VertiClip® SLD (with elongated slots)

Order Information

Contact your local TSN Sales representative for order information.

* Special product drawing is required for all non-standard products.

** Please allow reasonable time for production.

Terms, Conditions, and Limited Warranty

Product Use

Products in this catalog are designed and manufactured for the specific purposes shown, and should not be used in other applications unless approved by a qualified design professional. All modifications to products or changes in installation procedures should be made by a qualified design professional. The performance of such modified products or altered installation procedures is the sole responsibility of the design professional or installation contractor. The installation contractor and/or qualified design professional are responsible for installing all products in accordance with relevant specifications and building codes.

Customers modifying products or installation procedures, or designing Custom products for fabrication by The Steel Network, Inc. ("TSN") shall, regardless of specific instructions to the user, indemnify, defend, and hold TSN harmless for any and all claimed loss or damage occasioned in whole or in part by Custom or modified products or installation procedures.

Modifications to TSN products, improper loading or installation procedures, or deviations from recommended applications will affect TSN products' load-carrying capacities. TSN products are fabricated from hot-dipped galvanized steel for corrosion protection but will corrode and lose load-carrying capacity if exposed to salt air, corrosive fire-retardant chemicals, fertilizers, pressure treated wood or other substances that may adversely affect steel or its galvanized coating. This document edition reflects changes in the allowable loads and configurations of some of TSN's products. This information supercedes information in earlier documents or technical reports. All earlier documents or technical reports should be discarded and reference made exclusively to this edition. TSN may correct any clerical or typographical errors. All sales are subject to TSN's standard terms and conditions of sale.

Limited Warranty

TSN warrants its products to be free from defects in material or workmanship at the time of shipment. TSN standard catalog products are warranted for adequacy of design when used in accordance with design limits in this catalog and properly specified and installed. TSN products shall not be substituted with non-TSN products if it is part of a system. Substitution of a TSN product will immediately void any warranty claim made by Purchaser. This warranty excludes uses not in compliance with specific applications and installation procedures set forth in this catalog. Warranty claims must be made by Purchaser in writing within ninety (90) days of receipt of the products.

All warranty obligations of TSN shall be limited, at the sole discretion of TSN, to repair or replace the defective product(s). These remedies shall constitute TSN's sole obligation and sole remedy of purchaser under this warranty. In no event will TSN be responsible for incidental, consequential, indirect, exemplary, incidental, special, consequential, or punitive damages, or other losses or damages however caused, including, but not limited to, installation costs, lost revenue or lost profits. TSN's liability for damages shall in no event exceed the applicable portion of the purchase price for defective product(s).

Product defects that arise from acts of God, accidents, misuse, misapplication, improper installation, storage damage, negligence, or modification to product(s) or its components are specifically excluded from this warranty. Product defects that arise from Purchaser providing incorrect information to TSN, including but not limited to incorrect specifications such as incorrect dimensions, designs and/or loads, are also specifically excluded from this warranty. TSN does not authorize any person or party to assume or create for it any other obligation or liability in connection with Products except as set forth herein.

This Warranty is expressly in lieu of all other warranties, expressed or implied, including any warranties of merchantability or fitness for a particular purpose, all such other warranties being hereby expressly excluded.

Patented Technology

BackIt®, BridgeBar®, BridgeClip®, BuckleBridge®, CircleTrak®, DriftClip®, DriftCorner®, DriftTrak®, GripClip®, 600JAM®, 800JAM®, JamStud®, MidWall™, MasterClip®, NotchTrak®, PrimeWall®, 600SG®, 800SG®, SigmaStud®, SigmaTrak®, Step-Bushing Technology™, StiffClip®, StiffWall®, ThermaFast®, TightStrap®, VertiClip®, and VertiTrack® are trademarked products, and are patented or patent-pending technologies of TSN. Numerous TSN design configurations are patented and/or patent pending and are protected under US and International patent laws. Patent numbers include: #4,970,410; #4,970,411; #4,970,412; #4,970,413; #5,079,710; #5,467,566; #5,904,023; #5,906,080; #6,612,087; #6,701,689; #6,892,504; #7,104,024; #7,503,150; #7,559,519; #7,596,921; #7,634,889; #7,788,878; #7,832,162; #7,836,657; #8,132,383; #8,181,419; #8,205,402; #8,387,321 and #8,683,770.

Contact Information

North Carolina

The Steel Network, Inc.
2012 T W Alexander Drive
P.O. Box 13887
Durham, NC 27709
Phone: (919) 845-1025
Fax: (888) 474-4877

Texas

The Steel Network, Inc.
600 Lemens Avenue
Suite 120
Hutto, TX 78634
Phone: (512) 642-9603
Fax: (512) 857-1663

Nevada

The Steel Network, Inc.
1650 Helm Drive
Suite 1000 - 1200
Las Vegas, NV 89119
Phone: (702) 643-4330
Fax: (702) 643-4331



Web Site: www.steelnetwork.com
E-mail: support@steelnetwork.com

Toll Free Nationwide Phone
(888) 474-4876

Copyright © 2020 The Steel Network Inc. All rights reserved. No part of this publication may be reproduced in whole or in part by any method without the prior written consent of The Steel Network, Inc.



TRISA
The Steel Network®