



Dutch truck «CF» (Euro 6).
Resin kit, scale 1/24.

Dutch truck «CF» (Euro 6). Resin kit, scale 1/24

Warning!

This kit requires to use a donor chassis. As default chassis we suggest to use Italeri DAF XF 105, but for better results we highly recommend to use our photo-etched chassis.

Please follow this instruction while assembling, otherwise you could face problems with assembling the model.

Photo-etched parts have sharp edges, please be careful.

This model kit contains small parts and is not suitable for children.

This kit for advanced modellers only.

Symbols:

● - glue parts;

⊗ - do not glue parts;

→└ - bend parts;

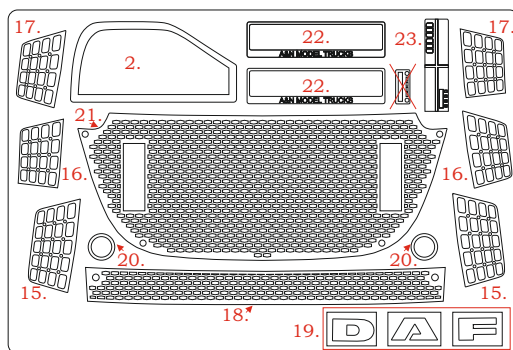
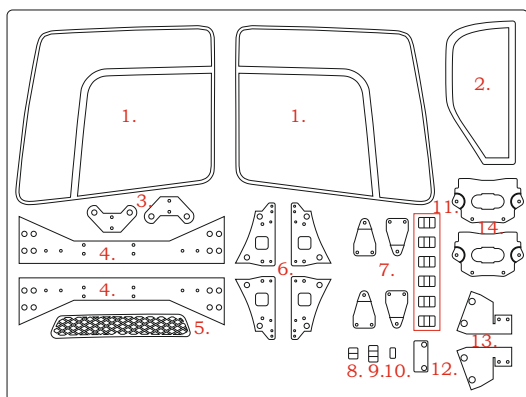
! - attention;

↔ - moving parts;

? - your choice;

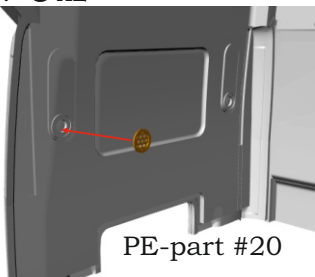
✂ - cut;

Numbers of photo-etched parts:

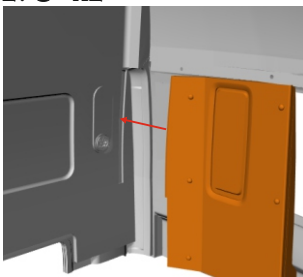


Dutch truck «CF» (Euro 6). Resin kit, scale 1/24

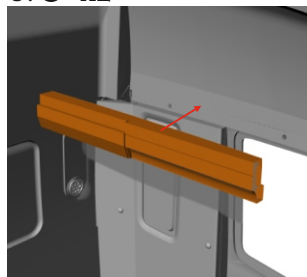
1.  x2



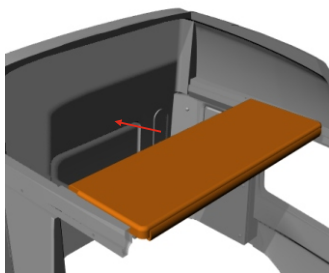
2.  x2



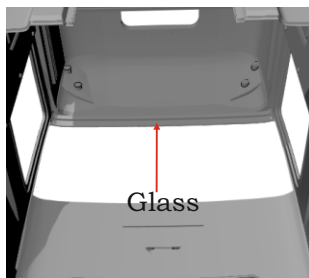
3.  x2



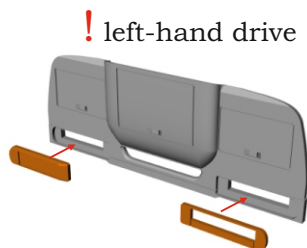
4. 



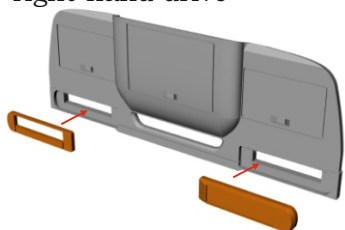
5. 



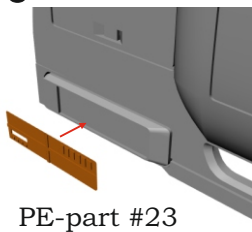
6. 



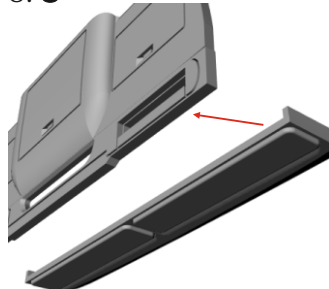
! right-hand drive



7. 



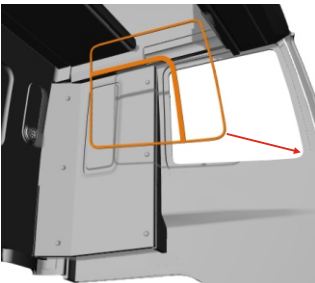
8. 



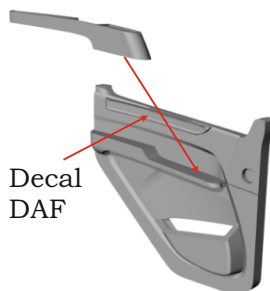
9. 



10.  x2

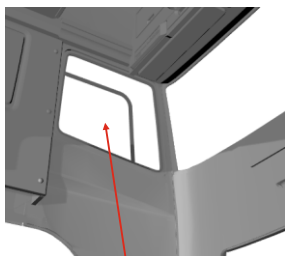


11.  x2



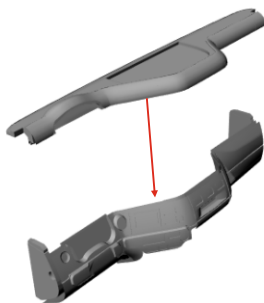
PE-part #1

12.  x2

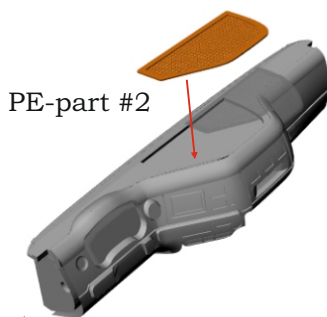


Glass

13. 

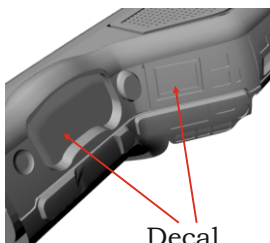


14. 



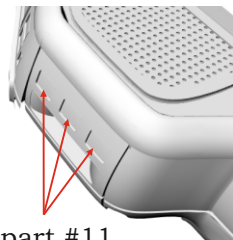
PE-part #2

15.



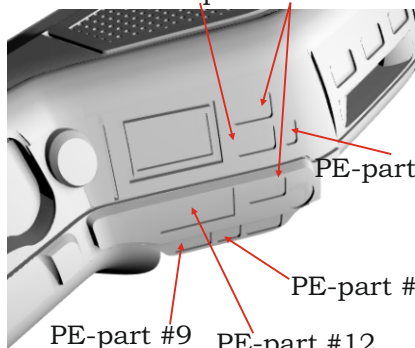
Decal

16.  x3



PE-part #11

17. 



PE-part #10

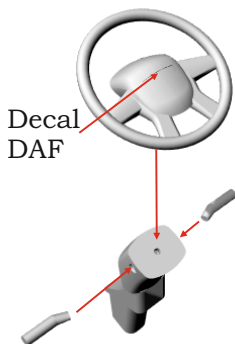
PE-part #10

PE-part #8

PE-part #9

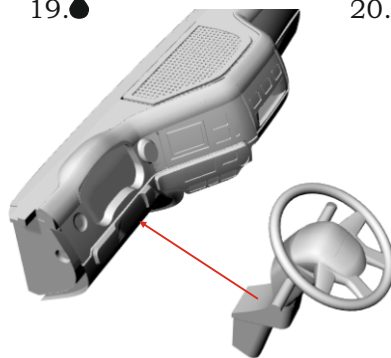
PE-part #12

18. 

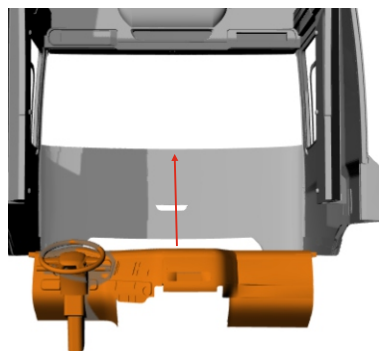


Decal
DAF

19. 

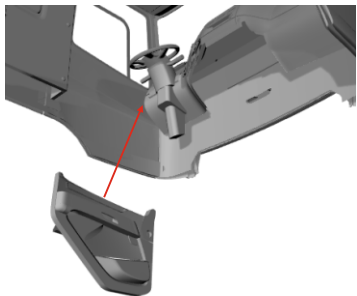



20. 

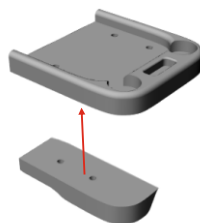
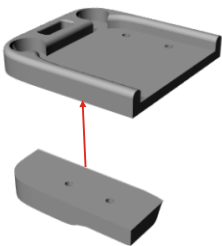


Dutch truck «CF» (Euro 6). Resin kit, scale 1/24


21.  x2

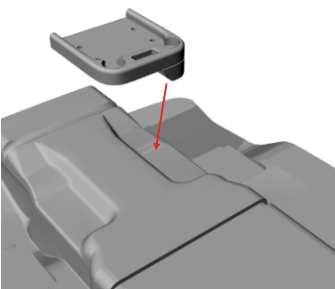


22.  ! left-hand drive

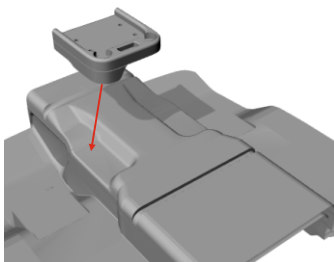


! right-hand drive

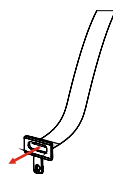
23.  ! left-hand drive



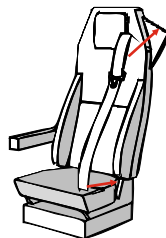
! right-hand drive



24.  x2



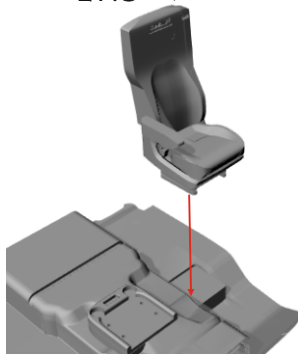
25.  x2



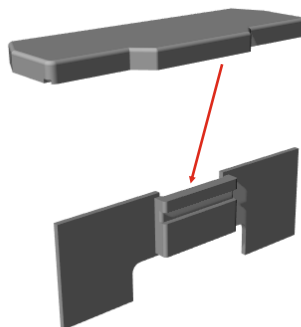
26.  x2



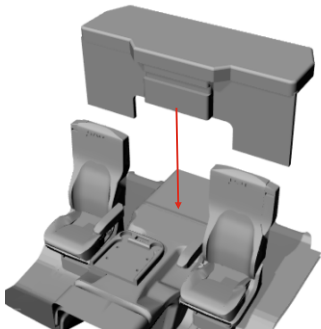
27.  x2



28. 



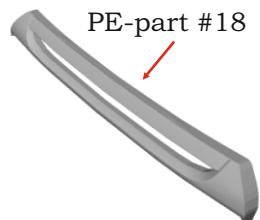
29. 



30. 

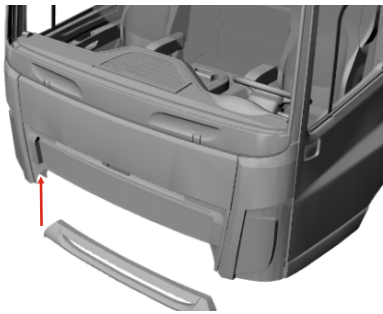


31. 

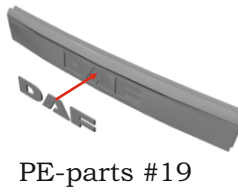


Dutch truck «CF» (Euro 6). Resin kit, scale 1/24

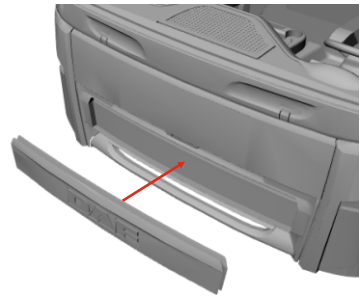
32. 



33. 



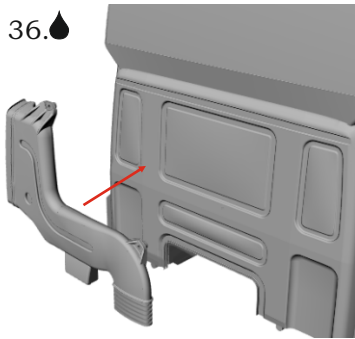
34. 



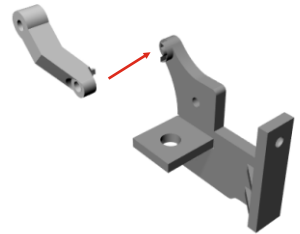
35. 



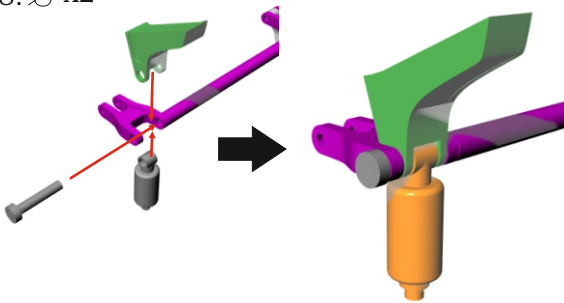
36. 




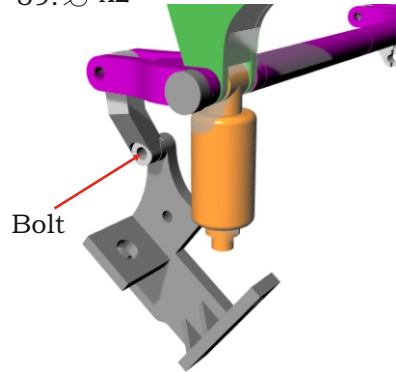
37.  x2



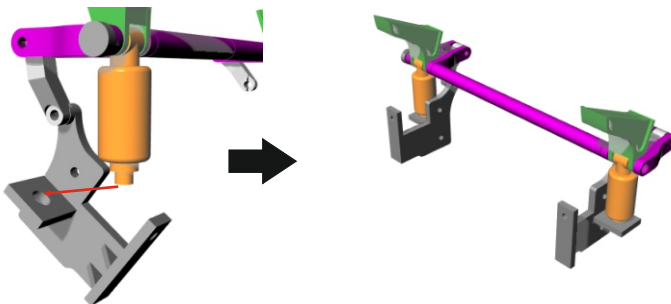
38.  x2



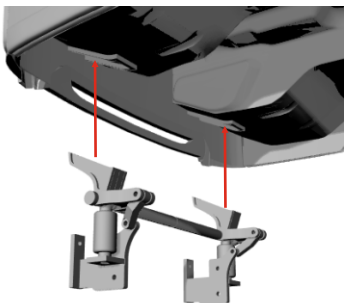
39.  x2




40.  x2

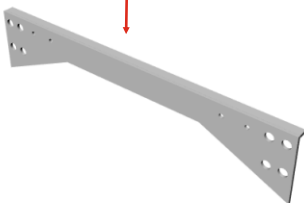


41.  x2

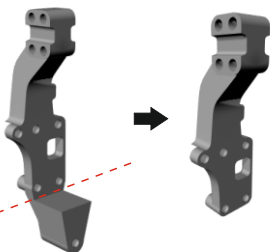


42.  x2

PE-part #4



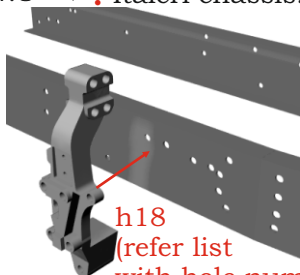
43.  x2



! For Italeri chassis only.
In case of using A&N
Model Trucks chassis -
skip this step.

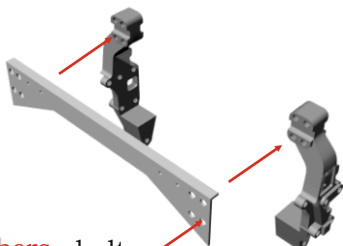
44.  x2

Skip this step for
! Italeri chassis.

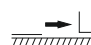


h18
(refer list
with hole numbers
in chassis kit)

45.  x2



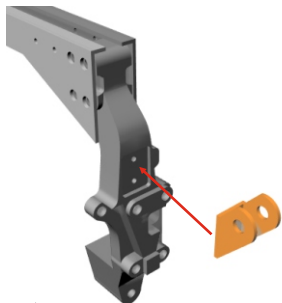
bolts

46.  x2

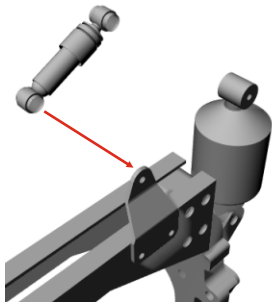
PE-part #4



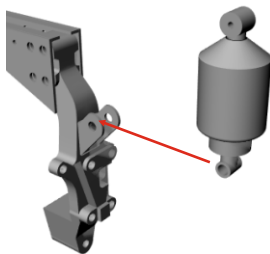
47.  x2



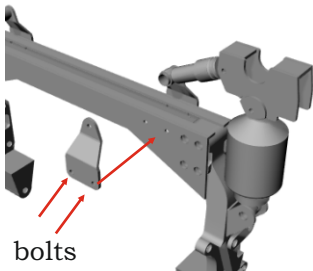
51.  x2



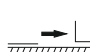
48.  x2



52.  x2



bolts

49.  x4

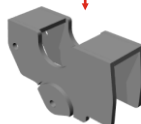
PE-part #7



bolts


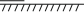
53.
x2 

PE-part #14



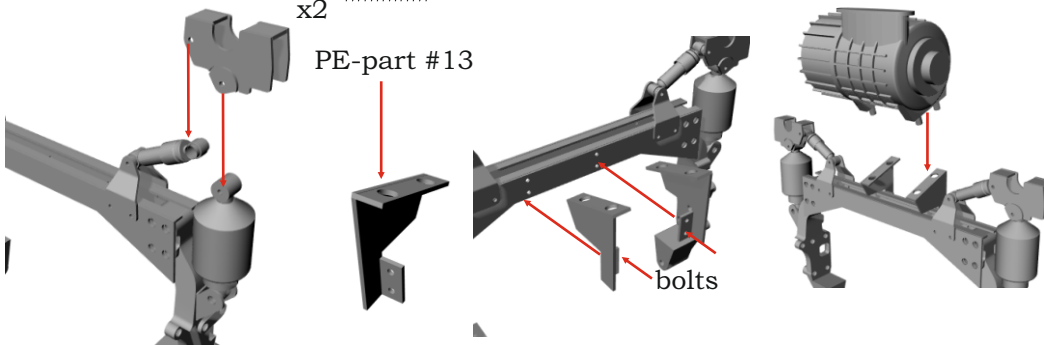
Dutch truck «CF» (Euro 6). Resin kit, scale 1/24

54.  x2

55.  
x2

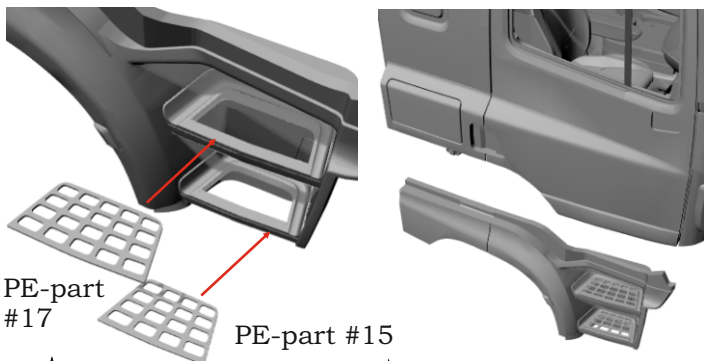
56. 

57. 



58.  x2

59.  x2

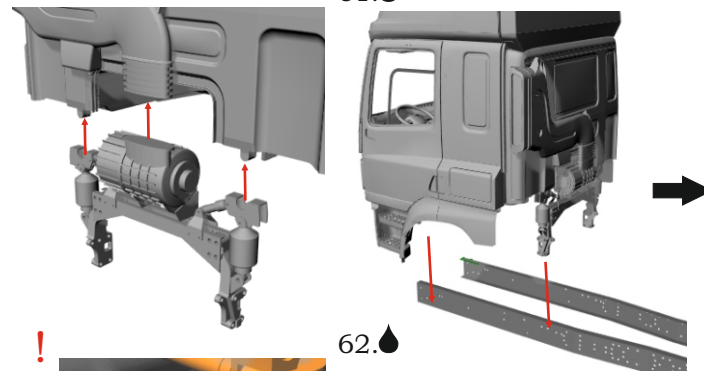


!

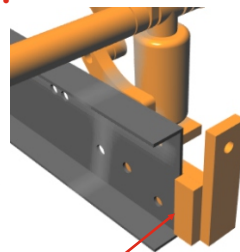
Following steps are for Italeri chassis only. For A&N Model Trucks chassis jump on step 62

60. 

61. 

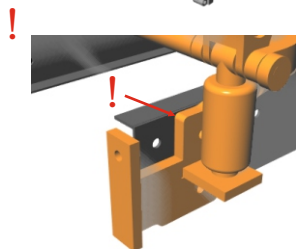


!

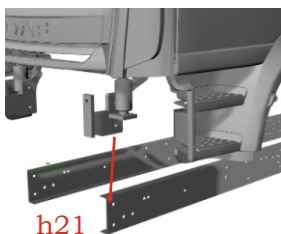


63.  x4

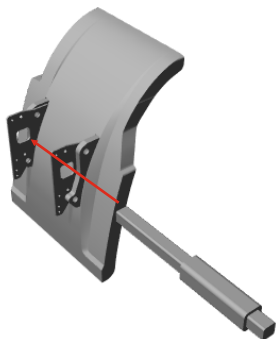
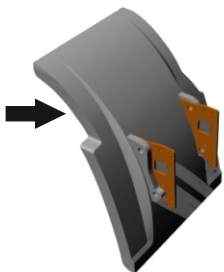
PE-part #7



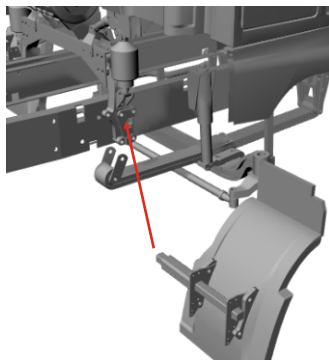
62. 



64.  x2



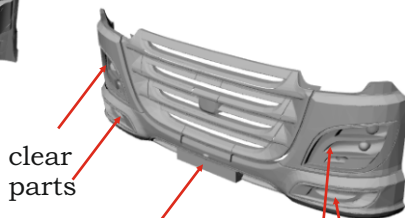
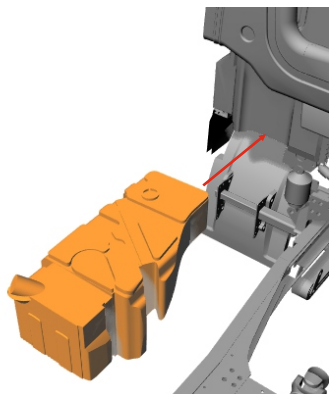
65.  x2



66. 

67. 

68. 



PE-part #21

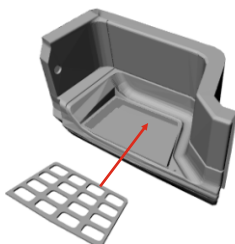
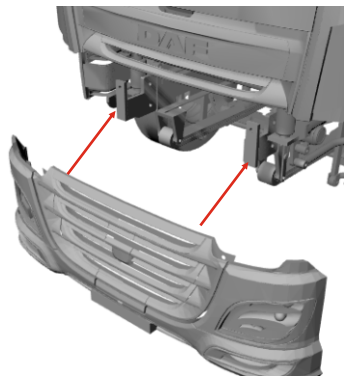
PE-part #22

clear parts

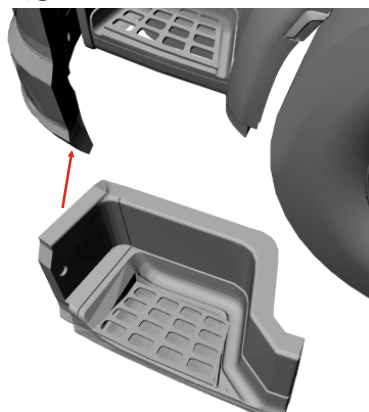
69. 

70.  x2

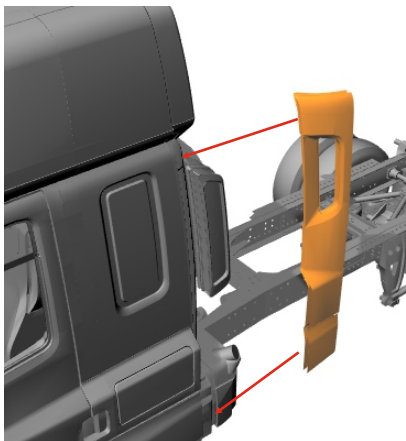
71.  x2



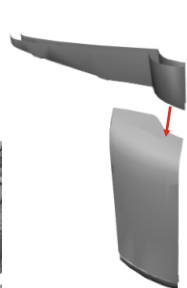
PE-part #16



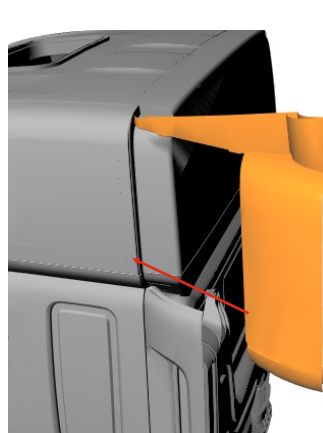
72.  x2



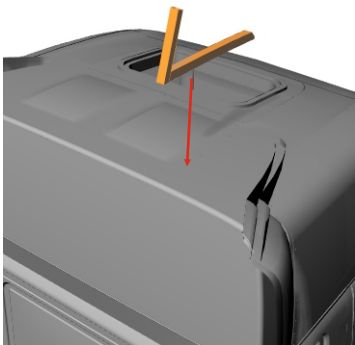
73.  x2



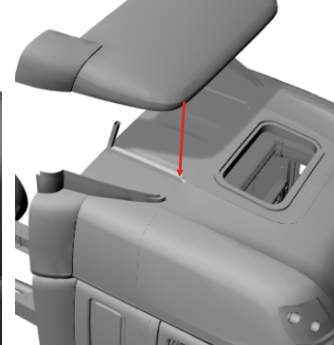
74.  x2



75.  x2



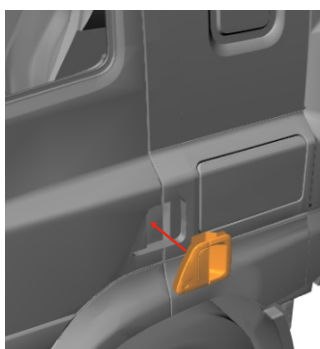
76. 



77. 



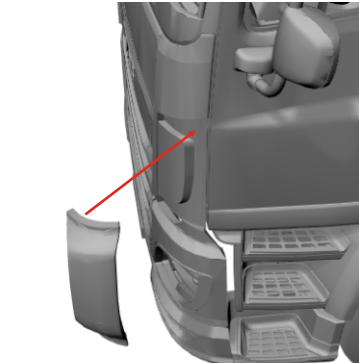
78.  x2



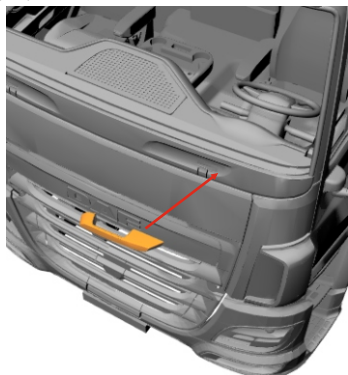
79.  x2



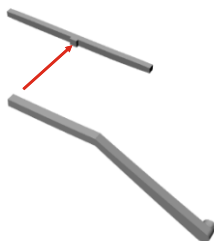
80.  x2



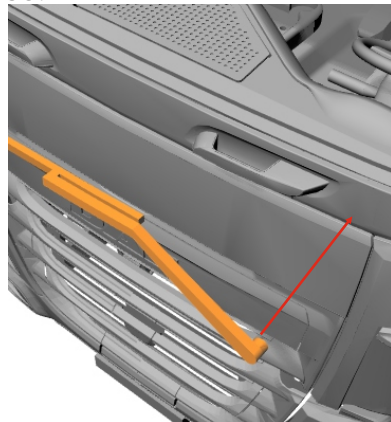
81.  x2



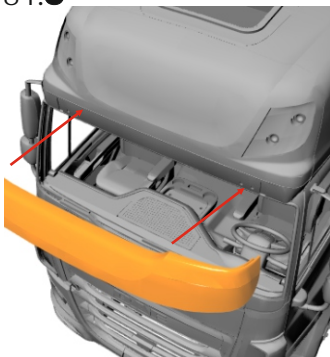
82.  x2



83.  x2



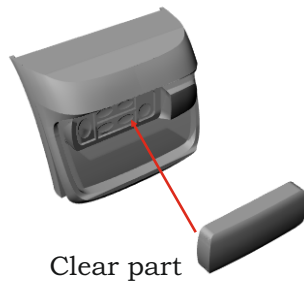
84. 



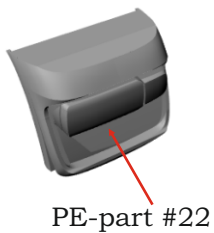
85.  x2



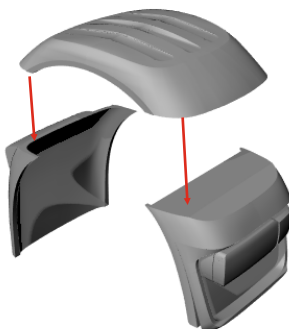
86.  x2



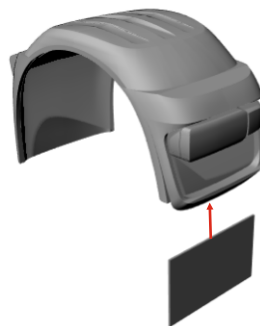
87. 



88.  x2

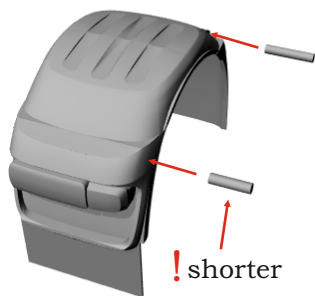


89.  x2

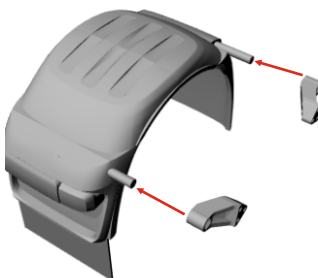


Dutch truck «CF» (Euro 6). Resin kit, scale 1/24

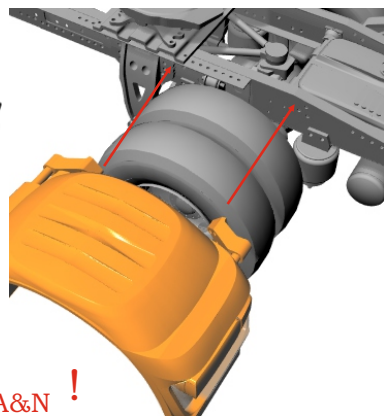
90.  x2



91.  x2



92.  x2



h2; h9 for A&N !
Model Truck chassis kit