

ENGINEERING DATA

---

# FXV Closed Circuit Cooling Tower



## contents

---

1 SINGLE AIR INLET ENGINEERING DATA

---

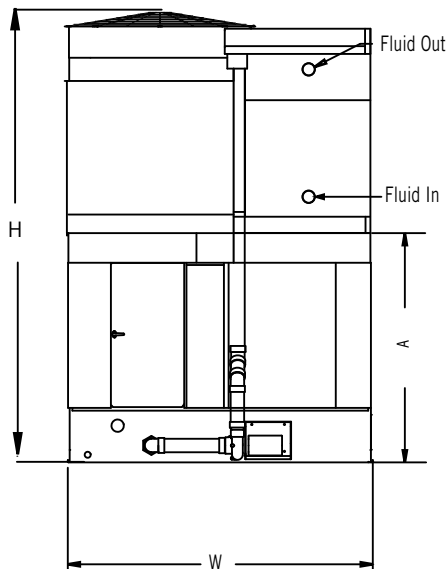
13 DUAL AIR INLET ENGINEERING DATA

---

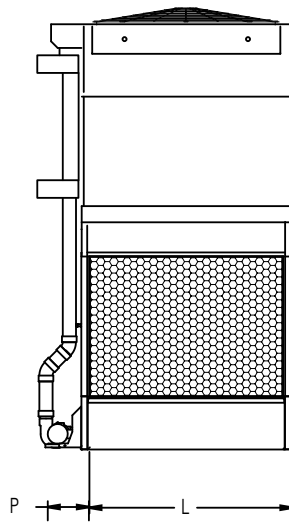
15 STRUCTURAL SUPPORT

## SINGLE AIR INLET MODELS

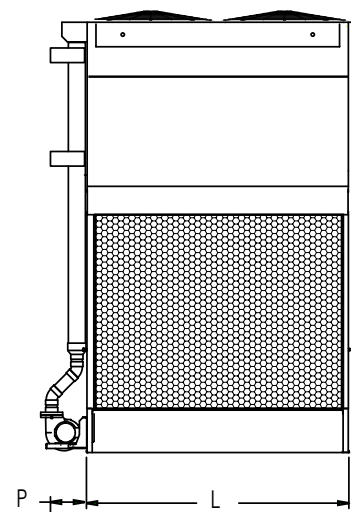
# Engineering Data



Connection Side for Models  
FXV-0806X and FXV-0809X



Air Inlet End for Models FXV-0806X



Air Inlet End for Models FXV-0809X



### NOTES:

- Nominal tons of cooling represents 3 GPM of water cooled from 95°F to 85°F at a 78°F entering wet-bulb temperature.
- Operating weight is for the unit with the water level in the cold water basin at the overflow.
- The actual size of the inlet and outlet connection may vary with the design flow rate. Consult unit print for dimensions.
- Inlet and outlet connections are beveled for welding.
- Models with whisper quiet fans may have heights up to 5-1/2" greater than shown.
- Standard make-up, drain and overflow connections are located near the bottom of the unit. Make-up connection is 1-1/2" MPT standpipe, drain is 2" FPT and overflow is 3" FPT. On single air-inlet models, standard make-up, drain and overflow connections are MPT.
- The riser pipe diameter for the FXV-08XX models is 4". The riser pipe diameter for the FXV-1212 models is 6" and is 8" for the FXV-1218.

**Do not use for construction.** Refer to factory certified dimensions. This handbook includes data current at the time of publication, which should be reconfirmed at the time of purchase.



**NOTE:** Up-to-date engineering data, free product selection software, and more can be found at [www.BaltimoreAircoil.com](http://www.BaltimoreAircoil.com).

Model Number	Nominal Tons <sup>(1)</sup>	Motor HP		Approximate Weight (lbs)			Dimensions					Connection Size <sup>(3,6)</sup>		Spray Pump (GPM)	Internal Coil Volume (GAL)
		Fan	Pump	Operating Weight <sup>(2)</sup>	Shipping Weight	Heaviest Section	L	W	H	A	P	Make-Up Water	Coil		
FXV-0806A-12D-G	29	3	2	7,730	4,830	2,870	6'-0"	8'-7"	12'-7"	6'-5"	1'-6"	1 1/2"	4"	290	44
FXV-0806A-12D-H	33	5		7,740	4,840	2,880									
FXV-0806A-12D-J	37	7.5		7,770	4,880	2,910									
FXV-0806A-12D-K	39	10		7,780	4,890	2,920									
FXV-0806A-16D-G	35	3	2	8,150	5,140	3,160	6'-0"	8'-7"	12'-7"	6'-5"	1'-6"	1 1/2"	4"	290	59
FXV-0806A-16D-H	40	5		8,160	5,150	3,170									
FXV-0806A-16D-J	44	7.5		8,200	5,180	3,200									
FXV-0806A-16D-K	47	10		8,210	5,190	3,210									
FXV-0806A-20D-G	39	3	2	8,570	5,440	3,450	6'-0"	8'-7"	12'-7"	6'-5"	1'-6"	1 1/2"	4"	290	73
FXV-0806A-20D-H	45	5		8,590	5,450	3,460									
FXV-0806A-20D-J	50	7.5		8,620	5,480	3,490									
FXV-0806A-20D-K	53	10		8,630	5,500	3,500									
FXV-0806A-24D-G	44	3	2	9,400	6,150	4,120	6'-0"	8'-7"	15'-6"	6'-5"	1'-6"	1 1/2"	4"	290	88
FXV-0806A-24D-H	51	5		9,420	6,160	4,130									
FXV-0806A-24D-J	58	7.5		9,450	6,190	4,160									
FXV-0806A-24D-K	63	10		9,460	6,200	4,180									
FXV-0806B-12D-G	34	3	2	8,180	5,290	2,870	6'-0"	8'-7"	15'-3"	9'-1"	1'-6"	1 1/2"	4"	290	44
FXV-0806B-12D-H	38	5		8,190	5,300	2,880									
FXV-0806B-12D-J	42	7.5		8,220	5,330	2,910									
FXV-0806B-12D-K	44	10		8,240	5,340	2,920									
FXV-0806B-12D-L	47	15		8,320	5,420	3,000									
FXV-0806B-16D-G	41	3	2	8,600	5,590	3,160	6'-0"	8'-7"	15'-3"	9'-1"	1'-6"	1 1/2"	4"	290	59
FXV-0806B-16D-H	46	5		8,610	5,600	3,170									
FXV-0806B-16D-J	51	7.5		8,650	5,630	3,200									
FXV-0806B-16D-K	54	10		8,660	5,650	3,210									
FXV-0806B-16D-L	57	15		8,740	5,730	3,290									
FXV-0806B-20D-G	45	3	2	9,030	5,890	3,450	6'-0"	8'-7"	15'-3"	9'-1"	1'-6"	1 1/2"	4"	290	73
FXV-0806B-20D-H	52	5		9,040	5,900	3,460									
FXV-0806B-20D-J	57	7.5		9,070	5,940	3,490									
FXV-0806B-20D-K	61	10		9,080	5,950	3,500									
FXV-0806B-20D-L	65	15		9,160	6,030	3,580									
FXV-0806B-24D-G	53	3	2	9,860	6,600	4,120	6'-0"	8'-7"	18'-2"	9'-1"	1'-6"	1 1/2"	4"	290	88
FXV-0806B-24D-H	61	5		9,870	6,610	4,130									
FXV-0806B-24D-J	67	7.5		9,900	6,650	4,160									
FXV-0806B-24D-K	72	10		9,910	6,660	4,180									
FXV-0806B-24D-L	78	15		9,990	6,740	4,250									
FXV-0806B-28D-G	55	3	2	10,280	6,900	4,410	6'-0"	8'-7"	18'-2"	9'-1"	1'-6"	1 1/2"	4"	290	103
FXV-0806B-28D-H	64	5		10,290	6,910	4,420									
FXV-0806B-28D-J	71	7.5		10,330	6,950	4,450									
FXV-0806B-28D-K	77	10		10,340	6,960	4,460									
FXV-0806B-28D-L	83	15		10,420	7,040	4,540									
FXV-0806B-32D-G	58	3	2	10,700	7,200	4,700	6'-0"	8'-7"	18'-2"	9'-1"	1'-6"	1 1/2"	4"	290	117
FXV-0806B-32D-H	67	5		10,720	7,220	4,710									
FXV-0806B-32D-J	75	7.5		10,750	7,250	4,740									
FXV-0806B-32D-K	80	10		10,760	7,260	4,750									
FXV-0806B-32D-L	87	15		10,840	7,340	4,830									
FXV-0806B-36D-G	60	3	2	11,130	7,510	4,980	6'-0"	8'-7"	18'-2"	9'-1"	1'-6"	1 1/2"	4"	290	132
FXV-0806B-36D-H	69	5		11,140	7,520	5,000									
FXV-0806B-36D-J	77	7.5		11,170	7,550	5,030									
FXV-0806B-36D-K	83	10		11,190	7,560	5,040									
FXV-0806B-36D-L	90	15		11,270	7,650	5,120									

Model Number	Nominal Tons <sup>(1)</sup>	Motor HP		Approximate Weight (lbs)			Dimensions					Connection Size <sup>(3,6)</sup>		Spray Pump (GPM)	Internal Coil Volume (GAL)
		Fan	Pump	Operating Weight <sup>(2)</sup>	Shipping Weight	Heaviest Section	L	W	H	A	P	Make-Up Water	Coil		
FXV-0809A-12D-G	47	3	5	10,890	6,460	3,760	9'-0"	8'-7"	12'-6"	6'-5"	2'-0"	1 1/2"	4"	500	66
FXV-0809A-12D-H	55	5		10,900	6,470	3,770									
FXV-0809A-12D-J	61	7.5		10,940	6,510	3,800									
FXV-0809A-12D-K	65	10		10,950	6,520	3,810									
FXV-0809A-12D-L	72	15		11,030	6,600	3,890									
FXV-0809A-16D-G	53	3	5	11,520	6,910	4,190	9'-0"	8'-7"	12'-6"	6'-5"	2'-0"	1 1/2"	4"	500	88
FXV-0809A-16D-H	62	5		11,530	6,920	4,200									
FXV-0809A-16D-J	69	7.5		11,570	6,960	4,230									
FXV-0809A-16D-K	75	10		11,580	6,970	4,240									
FXV-0809A-16D-L	83	15		11,660	7,050	4,320									
FXV-0809A-20D-G	57	3	5	12,150	7,360	4,610	9'-0"	8'-7"	12'-6"	6'-5"	2'-0"	1 1/2"	4"	500	110
FXV-0809A-20D-H	67	5		12,160	7,370	4,620									
FXV-0809A-20D-J	75	7.5		12,200	7,400	4,660									
FXV-0809A-20D-K	82	10		12,210	7,410	4,670									
FXV-0809A-20D-L	91	15		12,290	7,500	4,740									
FXV-0809A-24T-G	59	3	5	13,290	8,300	5,510	9'-0"	8'-7"	15'-5"	6'-5"	2'-0"	1 1/2"	6"	500	132
FXV-0809A-24T-H	69	5		13,310	8,310	5,520									
FXV-0809A-24T-J	79	7.5		13,340	8,350	5,550									
FXV-0809A-24T-K	86	10		13,350	8,360	5,570									
FXV-0809A-24T-L	97	15		13,430	8,440	5,640									



**NOTES:**

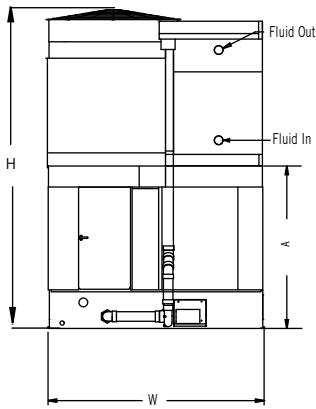
1. Nominal tons of cooling represents 3 GPM of water cooled from 95°F to 85°F at a 78°F entering wet-bulb temperature.
2. Operating weight is for the unit with the water level in the cold water basin at the overflow.
3. The actual size of the inlet and outlet connection may vary with the design flow rate. Consult unit print for dimensions.
4. Inlet and outlet connections are beveled for welding.

5. Models with whisper quiet fans may have heights up to 5-1/2" greater than shown.
6. Standard make-up, drain and overflow connections are located near the bottom of the unit. Make-up connection is 1-1/2" MPT standpipe, drain is 2" FPT and overflow is 3" FPT. On single air- inlet models, standard make-up, drain and overflow connections are MPT.
7. The riser pipe diameter for the FXV-08XX models is 4". The riser pipe diameter for the FXV-1212 models is 6" and is 8" for the FXV-1218.

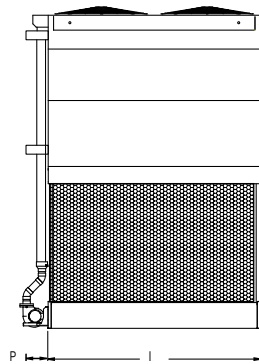
**Do not use for construction.** Refer to factory certified dimensions. This handbook includes data current at the time of publication, which should be reconfirmed at the time of purchase.

Model Number	Nominal Tons <sup>(1)</sup>	Motor HP		Approximate Weight (lbs)			Dimensions					Connection Size <sup>(3,6)</sup>		Spray Pump (GPM)	Internal Coil Volume (GAL)
		Fan	Pump	Operating Weight <sup>(2)</sup>	Shipping Weight	Heaviest Section	L	W	H	A	P	Make-Up Water	Coil		
FXV-0809B-16D-G	61	3	5	12,090	7,480	4,190	9'-0"	8'-7"	15'-2"	9'-1"	2'-0"	1 1/2"	4"	500	88
FXV-0809B-16D-H	71	5		12,100	7,490	4,200									
FXV-0809B-16D-J	79	7.5		12,140	7,530	4,230									
FXV-0809B-16D-K	85	10		12,150	7,540	4,240									
FXV-0809B-16D-L	94	15		12,230	7,620	4,320									
FXV-0809B-16D-M	99	20		12,250	7,640	4,340									
FXV-0809B-20D-G	66	3	5	12,720	7,930	4,610	9'-0"	8'-7"	15'-2"	9'-1"	2'-0"	1 1/2"	4"	500	110
FXV-0809B-20D-H	77	5		12,730	7,940	4,620									
FXV-0809B-20D-J	86	7.5		12,770	7,970	4,660									
FXV-0809B-20D-K	93	10		12,780	7,990	4,670									
FXV-0809B-20D-L	103	15		12,860	8,070	4,740									
FXV-0809B-20D-M	109	20		12,880	8,090	4,770									
FXV-0809B-24D-G	128	3	5	13,790	8,820	5,460	9'-0"	8'-7"	18'-1"	9'-1"	2'-0"	1 1/2"	4"	500	132
FXV-0809B-24D-H	74	5		13,800	8,830	5,470									
FXV-0809B-24D-J	87	7.5		13,840	8,860	5,500									
FXV-0809B-24D-K	98	10		13,850	8,870	5,510									
FXV-0809B-24D-L	107	15		13,930	8,960	5,590									
FXV-0809B-24D-M	119	20		13,950	8,980	5,610									
FXV-0809B-28D-G	76	3	5	14,420	9,260	5,880	9'-0"	8'-7"	18'-1"	9'-1"	2'-0"	1 1/2"	4"	500	154
FXV-0809B-28D-H	91	5		14,430	9,280	5,890									
FXV-0809B-28D-J	103	7.5		14,470	9,310	5,930									
FXV-0809B-28D-K	112	10		14,480	9,320	5,940									
FXV-0809B-28D-L	125	15		14,560	9,400	6,010									
FXV-0809B-28D-M	135	20		14,580	9,430	6,040									
FXV-0809B-32D-G	78	3	5	15,050	9,710	6,310	9'-0"	8'-7"	18'-1"	9'-1"	2'-0"	1 1/2"	4"	500	176
FXV-0809B-32D-H	94	5		15,060	9,720	6,320									
FXV-0809B-32D-J	106	7.5		15,100	9,760	6,350									
FXV-0809B-32D-K	116	10		15,110	9,770	6,360									
FXV-0809B-32D-L	130	15		15,190	9,850	6,440									
FXV-0809B-32D-M	140	20		15,210	9,870	6,460									
FXV-0809B-36D-G	80	3	5	15,680	10,160	6,730	9'-0"	8'-7"	18'-1"	9'-1"	2'-0"	1 1/2"	4"	500	197
FXV-0809B-36D-H	95	5		15,690	10,170	6,750									
FXV-0809B-36D-J	109	7.5		15,730	10,200	6,780									
FXV-0809B-36D-K	119	10		15,700	10,220	6,790									
FXV-0809B-36D-L	134	15		15,820	10,300	6,870									
FXV-0809B-36D-M	145	20		15,840	10,320	6,890									
FXV-0809B-24T-G	69	3	5	13,870	8,870	5,510	9'-0"	8'-7"	18'-1"	9'-1"	2'-0"	1 1/2"	6"	500	132
FXV-0809B-24T-H	81	5		13,880	8,880	5,520									
FXV-0809B-24T-J	91	7.5		13,910	8,920	5,550									
FXV-0809B-24T-K	99	10		13,920	8,930	5,570									
FXV-0809B-24T-L	111	15		14,000	9,010	5,640									
FXV-0809B-24T-M	119	20		14,030	9,030	5,660									
FXV-0809B-30T-G	74	3	5	14,810	9,540	6,150	9'-0"	8'-7"	18'-1"	9'-1"	2'-0"	1 1/2"	6"	500	165
FXV-0809B-30T-H	87	5		14,820	9,550	6,160									
FXV-0809B-30T-J	99	7.5		14,850	9,590	6,190									
FXV-0809B-30T-K	108	10		14,870	9,600	6,200									
FXV-0809B-30T-L	120	15		14,950	9,680	6,280									
FXV-0809B-30T-M	130	20		14,970	9,700	6,300									
FXV-0809B-36T-G	77	3	5	15,750	10,210	6,780	9'-0"	8'-7"	18'-1"	9'-1"	2'-0"	1 1/2"	6"	500	197
FXV-0809B-36T-H	91	5		15,760	10,220	6,800									
FXV-0809B-36T-J	104	7.5		15,800	10,260	6,830									
FXV-0809B-36T-K	113	10		15,810	10,270	6,840									
FXV-0809B-36T-L	127	15		15,890	10,350	6,920									
FXV-0809B-36T-M	138	20		15,910	10,370	6,940									

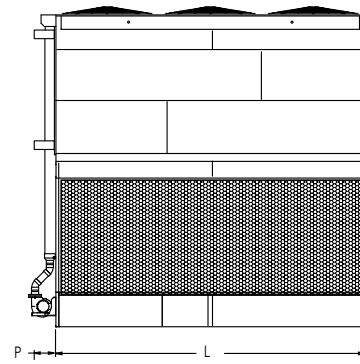
SINGLE AIR INLET ENGINEERING DATA CONTINUED »



Connection Side for Models FXV-0812, and FXV-0818X



Air Inlet End for Models FXV-0812X



Air Inlet End for Models FXV-0818X

Model Number	Nominal Tons <sup>(1)</sup>	Motor HP		Approximate Weight (lbs)			Dimensions					Connection Size <sup>(3,6)</sup>		Spray Pump (GPM)	Internal Coil Volume (GAL)
		Fan	Pump	Operating Weight <sup>(2)</sup>	Shipping Weight	Heaviest Section	L	W	H	A	P	Make-Up Water	Coil		
FXV-0812A-12D-J	83	7.5	5	13,870	7,910	4,570	12'-0"	8'-7"	12'-7"	6'-5"	2'-0"	1 1/2"	4"	719	88
FXV-0812A-12D-K	90	10		13,880	7,920	4,580									
FXV-0812A-12D-L	101	15		13,970	8,000	4,660									
FXV-0812A-12D-M	108	20		13,990	8,030	4,680									
FXV-0812A-16D-J	93	7.5	5	14,710	8,500	5,140	12'-0"	8'-7"	12'-7"	6'-5"	2'-0"	1 1/2"	4"	719	117
FXV-0812A-16D-K	100	10		14,720	8,510	5,150									
FXV-0812A-16D-L	113	15		14,800	8,590	5,220									
FXV-0812A-16D-M	122	20		14,820	8,620	5,250									
FXV-0812A-20D-J	99	7.5	5	15,540	9,090	5,700	12'-0"	8'-7"	12'-7"	6'-5"	2'-0"	1 1/2"	4"	719	146
FXV-0812A-20D-K	109	10		15,560	9,110	5,710									
FXV-0812A-20D-L	121	15		15,640	9,190	5,790									
FXV-0812A-20D-M	131	20		15,660	9,210	5,810									
FXV-0812A-16Q-J	79	7.5	5	14,870	8,660	5,290	12'-0"	8'-7"	12'-7"	6'-5"	2'-0"	1 1/2"	6"	719	117
FXV-0812A-16Q-K	86	10		14,880	8,670	5,300									
FXV-0812A-16Q-L	95	15		14,960	8,750	5,380									
FXV-0812A-16Q-M	103	20		14,980	8,780	5,400									



**NOTES:**

- Nominal tons of cooling represents 3 GPM of water cooled from 95°F to 85°F at a 78°F entering wet-bulb temperature.
- Operating weight is for the unit with the water level in the cold water basin at the overflow.
- The actual size of the inlet and outlet connection may vary with the design flow rate. Consult unit print for dimensions.
- Inlet and outlet connections are beveled for welding.
- Models with whisper quiet fans may have heights up to 5-1/2" greater than shown.
- Standard make-up, drain and overflow connections are located near the bottom of the unit. Make-up connection is 1-1/2" MPT standpipe, drain is 2" FPT and overflow is 3" FPT. On single air-inlet models, standard make-up, drain and overflow connections are MPT.
- The riser pipe diameter for the FXV-08XX models is 4". The riser pipe diameter for the FXV-1212 models is 6" and is 8" for the FXV-1218.

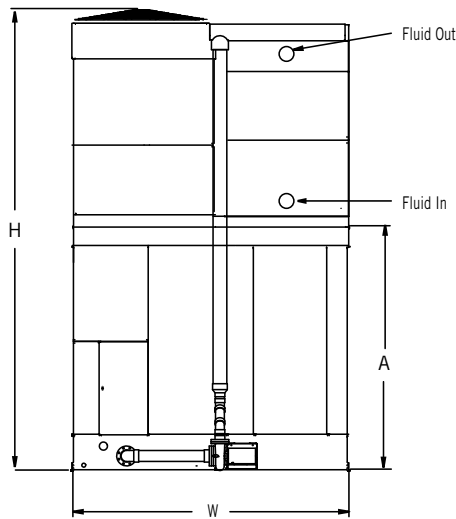
**Do not use for construction.** Refer to factory certified dimensions. This handbook includes data current at the time of publication, which should be reconfirmed at the time of purchase.

Model Number	Nominal Tons <sup>(1)</sup>	Motor HP		Approximate Weight (lbs)			Dimensions					Connection Size <sup>(3,6)</sup>		Spray Pump (GPM)	Internal Coil Volume (GAL)
		Fan	Pump	Operating Weight <sup>(2)</sup>	Shipping Weight	Heaviest Section	L	W	H	A	P	Make-Up Water	Coil		
FXV-0812B-12D-J	98	7.5	5	14,530	8,570	4,570	12'-0"	8'-7"	15'-3"	9'-1"	2'-0"	1 1/2"	4"	719	88
FXV-0812B-12D-K	105	10		14,540	8,580	4,580									
FXV-0812B-12D-L	117	15		14,630	8,660	4,660									
FXV-0812B-12D-M	124	20		14,650	8,690	4,680									
FXV-0812B-12D-N	129	25		14,710	8,740	4,740									
FXV-0812B-12D-O	132	30		14,730	8,770	4,760									
FXV-0812B-16D-J	109	7.5	5	15,370	9,160	5,140	12'-0"	8'-5 1/4"	15'-3"	9'-1"	2'-0"	1 1/2"	4"	719	117
FXV-0812B-16D-K	118	10		15,380	9,170	5,150									
FXV-0812B-16D-L	131	15		15,460	9,250	5,220									
FXV-0812B-16D-M	140	20		15,480	9,280	5,250									
FXV-0812B-16D-N	145	25		15,540	9,340	5,300									
FXV-0812B-16D-O	149	30		15,560	9,360	5,320									
FXV-0812B-20D-J	117	7.5	5	16,200	9,750	5,700	12'-0"	8'-5 1/4"	15'-3"	9'-1"	2'-0"	1 1/2"	4"	719	146
FXV-0812B-20D-K	127	10		16,210	9,770	5,710									
FXV-0812B-20D-L	141	15		16,300	9,850	5,790									
FXV-0812B-20D-M	152	20		16,320	9,870	5,810									
FXV-0812B-20D-N	157	25		16,380	9,930	5,870									
FXV-0812B-20D-O	163	30		16,400	9,950	5,890									
FXV-0812B-24D-J	130	7.5	5	17,510	10,820	6,720	12'-0"	8'-5 1/4"	18'-2"	9'-1"	2'-0"	1 1/2"	4"	719	176
FXV-0812B-24D-K	142	10		17,530	10,830	6,730									
FXV-0812B-24D-L	161	15		17,610	10,910	6,810									
FXV-0812B-28D-J	136	7.5	5	18,350	11,410	7,280	12'-0"	8'-5 1/4"	18'-2"	9'-1"	2'-0"	1 1/2"	4"	719	205
FXV-0812B-28D-K	148	10		18,360	11,420	7,290									
FXV-0812B-24T-J	124	7.5	5	17,610	10,900	6,790	12'-0"	8'-5 1/4"	18'-2"	9'-1"	2'-0"	1 1/2"	6"	719	176
FXV-0812B-24T-K	136	10		17,620	10,910	6,800									
FXV-0812B-24T-L	152	15		17,710	10,990	6,880									
FXV-0812B-24T-M	165	20		17,730	11,020	6,900									
FXV-0812B-24T-N	171	25		17,790	11,070	6,960									
FXV-0812B-24T-O	178	30		17,810	11,100	6,980									
FXV-0812B-30T-J	132	7.5	5	18,860	11,790	7,640	12'-0"	8'-5 1/4"	18'-2"	9'-1"	2'-0"	1 1/2"	6"	719	219
FXV-0812B-30T-K	144	10		18,870	11,800	7,650									
FXV-0812B-30T-L	163	15		18,960	11,880	7,730									
FXV-0812B-30T-M	177	20		18,980	11,900	7,750									
FXV-0812B-30T-N	183	25		19,040	11,960	7,800									
FXV-0812B-30T-O	191	30		19,060	11,980	7,820									
FXV-0812B-36T-J	137	7.5	5	20,110	12,670	8,480	12'-0"	8'-5 1/4"	18'-2"	9'-1"	2'-0"	1 1/2"	6"	719	263
FXV-0812B-36T-K	150	10		20,130	12,680	8,490									
FXV-0812B-36T-L	171	15		20,210	12,770	8,570									
FXV-0812B-36T-M	185	20		20,230	12,790	8,590									
FXV-0812B-36T-N	193	25		20,290	12,850	8,650									
FXV-0812B-36T-O	201	30		20,310	12,870	8,670									
FXV-0812B-16Q-J	93	7.5	5	15,530	9,320	5,290	12'-0"	8'-5 1/4"	15'-3"	9'-1"	2'-0"	1 1/2"	6"	719	117
FXV-0812B-16Q-K	100	10		15,540	9,330	5,300									
FXV-0812B-16Q-L	111	15		15,620	9,410	5,380									
FXV-0812B-16Q-M	119	20		15,640	9,440	5,400									
FXV-0812B-16Q-N	122	25		15,700	9,490	5,450									
FXV-0812B-16Q-O	125	30		15,720	9,520	5,480									
FXV-0812B-24Q-J	119	7.5	5	17,670	10,980	6,860	12'-0"	8'-5 1/4"	18'-2"	9'-1"	2'-0"	1 1/2"	6"	719	176
FXV-0812B-24Q-K	129	10		17,680	10,990	6,880									
FXV-0812B-24Q-L	145	15		17,760	11,070	6,950									
FXV-0812B-24Q-M	157	20		17,780	11,090	6,970									
FXV-0812B-24Q-N	162	25		17,840	11,150	7,030									
FXV-0812B-24Q-O	168	30		17,860	11,170	7,050									
FXV-0812B-32Q-J	129	7.5	5	19,330	12,150	7,990	12'-0"	8'-7"	18'-2"	9'-1"	2'-0"	1 1/2"	6"	719	234
FXV-0812B-32Q-K	142	10		19,350	12,170	8,000									
FXV-0812B-32Q-L	160	15		19,430	12,250	8,080									
FXV-0812B-32Q-M	174	20		19,450	12,270	8,100									
FXV-0812B-32Q-N	180	25		19,510	12,330	8,150									
FXV-0812B-32Q-O	187	30		19,530	12,350	8,170									

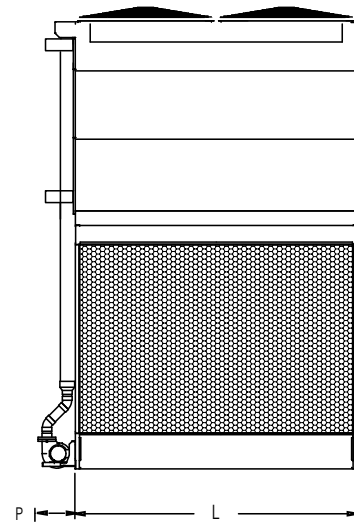
SINGLE AIR INLET ENGINEERING DATA CONTINUED »

Model Number	Nominal Tons <sup>(1)</sup>	Motor HP		Approximate Weight (lbs)			Dimensions					Connection Size <sup>(3,6)</sup>		Spray Pump (GPM)	Internal Coil Volume (GAL)
		Fan	Pump	Operating Weight <sup>(2)</sup>	Shipping Weight	Heaviest Section	L	W	H	A	P	Make-Up Water	Coil		
FXV-0818A-12D-K	147	15	7.5	20,500	11,460	6,660	18'-0"	8'-7"	13'-1"	6'-11"	2'-0"	1 1/2"	4"	859	132
FXV-0818A-12D-L	163	22.5		20,610	11,580	6,770									
FXV-0818A-12D-M	173	30		20,650	11,610	6,810									
FXV-0818A-16D-K	161	15	7.5	21,810	12,410	7,570	18'-0"	8'-7"	13'-1"	6'-11"	2'-0"	1 1/2"	4"	859	176
FXV-0818A-24T-K	185	15	7.5	25,130	14,980	10,010	18'-0"	8'-7"	16'-0"	6'-11"	2'-0"	1 1/2"	6"	859	263
FXV-0818A-24T-L	209	22.5		25,240	15,100	10,120									
FXV-0818A-24T-M	226	30		25,280	15,130	10,160									
FXV-0818A-16Q-K	144	15	7.5	21,980	12,580	7,730	18'-0"	8'-7"	13'-1"	6'-11"	2'-0"	1 1/2"	6"	859	176
FXV-0818A-16Q-L	160	22.5		22,090	12,700	7,840									
FXV-0818A-16Q-M	171	30		22,130	12,730	7,870									
FXV-0818A-24Q-K	180	15	7.5	25,190	15,060	10,090	18'-0"	8'-7"	16'-0"	6'-11"	2'-0"	1 1/2"	6"	859	263
FXV-0818A-24Q-L	203	22.5		25,300	15,180	10,200									
FXV-0818A-24Q-M	218	30		25,340	15,210	10,230									
FXV-0818A-32Q-K	192	15	7.5	27,810	16,950	11,890	18'-0"	8'-7"	16'-0"	6'-11"	2'-0"	1 1/2"	6"	859	351
FXV-0818A-32Q-L	218	22.5		27,930	17,070	12,000									
FXV-0818A-32Q-M	237	30		27,960	17,100	12,030									
FXV-0818A-36H-K	190	15	7.5	29,240	17,960	12,850	18'-0"	8'-7"	16'-0"	6'-11"	2'-0"	1 1/2"	8"	859	394
FXV-0818A-36H-L	214	22.5		29,360	18,070	12,960									
FXV-0818A-36H-M	233	30		29,390	18,110	12,990									
FXV-0818B-12D-K	167	15	7.5	21,430	12,400	6,660	18'-0"	8'-7"	15'-9"	9'-7"	2'-0"	1 1/2"	4"	859	132
FXV-0818B-12D-L	181	22.5		21,550	12,520	6,770									
FXV-0818B-12D-M	194	30		21,580	12,550	6,810									
FXV-0818B-12D-N	199	37.5		21,640	12,610	6,860									
FXV-0818B-12D-O	206	45		21,750	12,710	6,960									
FXV-0818B-24T-K	215	15	7.5	26,070	15,920	10,010	18'-0"	8'-7"	18'-8"	9'-7"	2'-0"	1 1/2"	6"	859	263
FXV-0818B-24T-L	239	22.5		26,180	16,040	10,120									
FXV-0818B-24T-M	257	30		26,220	16,070	10,160									
FXV-0818B-24T-N	264	37.5		26,280	16,130	10,210									
FXV-0818B-24T-O	275	45		26,380	16,230	10,310									
FXV-0818B-30T-K	227	15	7.5	28,040	17,340	11,370	18'-0"	8'-7"	18'-8"	9'-7"	2'-0"	1 1/2"	6"	859	329
FXV-0818B-16Q-K	164	15	7.5	22,920	13,520	7,730	18'-0"	8'-7"	15'-9"	9'-7"	2'-0"	1 1/2"	6"	859	176
FXV-0818B-16Q-L	180	22.5		23,030	13,640	7,840									
FXV-0818B-16Q-M	191	30		23,070	13,670	7,870									
FXV-0818B-16Q-N	197	37.5		23,130	13,730	7,930									
FXV-0818B-16Q-O	204	45		23,230	13,830	8,020									
FXV-0818B-24Q-K	207	15	7.5	26,130	16,000	10,090	18'-0"	8'-7"	18'-8"	9'-7"	2'-0"	1 1/2"	6"	859	263
FXV-0818B-24Q-L	230	22.5		26,240	16,110	10,200									
FXV-0818B-24Q-M	246	30		26,280	16,150	10,230									
FXV-0818B-24Q-N	255	37.5		23,340	16,210	10,290									
FXV-0818B-24Q-O	265	45		26,440	16,310	10,390									
FXV-0818B-32Q-K	224	15	7.5	28,750	17,890	11,890	18'-0"	8'-7"	18'-8"	9'-7"	2'-0"	1 1/2"	6"	859	351
FXV-0818B-32Q-L	250	22.5		28,860	18,010	12,000									
FXV-0818B-32Q-M	267	30		28,900	18,040	12,030									
FXV-0818B-32Q-N	276	37.5		28,960	18,100	12,090									
FXV-0818B-32Q-O	289	45		29,060	18,200	12,190									
FXV-0818B-36H-K	220	15	7.5	30,180	18,900	12,850	18'-0"	8'-7"	18'-8"	9'-7"	2'-0"	1 1/2"	8"	859	394
FXV-0818B-36H-L	245	22.5		30,300	19,010	12,960									
FXV-0818B-36H-M	263	30		30,330	19,050	12,990									
FXV-0818B-36H-N	272	37.5		30,390	19,100	13,050									
FXV-0818B-36H-O	284	45		30,490	19,210	13,150									

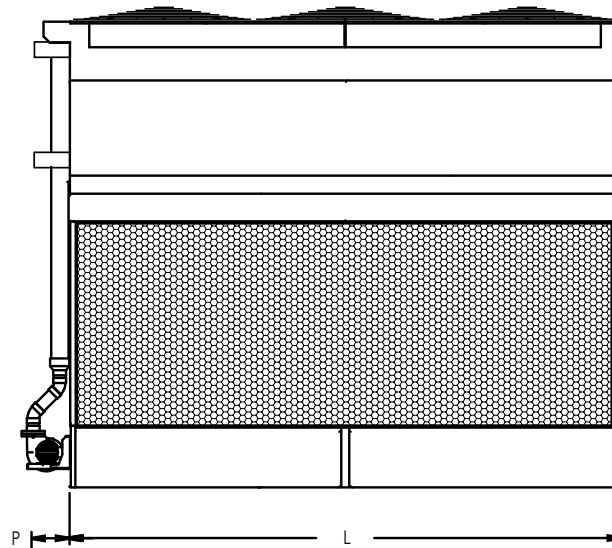




Connection Side for Models  
FXV-1212X, FXV-1218X



Air Inlet End for Models FXV-1212X



Air Inlet End for Models FXV-1218X



#### NOTES:

1. Nominal tons of cooling represents 3 GPM of water cooled from 95°F to 85°F at a 78°F entering wet-bulb temperature.
2. Operating weight is for the unit with the water level in the cold water basin at the overflow.
3. The actual size of the inlet and outlet connection may vary with the design flow rate. Consult unit print for dimensions.
4. Inlet and outlet connections are beveled for welding.
5. Models with whisper quiet fans may have heights up to 5-1/2" greater than shown.
6. Standard make-up, drain and overflow connections are located near the bottom of the unit. Make-up connection is 1-1/2" MPT standpipe, drain is 2" FPT and overflow is 3" FPT. On single air- inlet models, standard make-up, drain and overflow connections are MPT.
7. The riser pipe diameter for the FXV-08XX models is 4". The riser pipe diameter for the FXV-1212 models is 6" and is 8" for the FXV-1218.

**Do not use for construction.** Refer to factory certified dimensions. This handbook includes data current at the time of publication, which should be reconfirmed at the time of purchase.

SINGLE AIR INLET ENGINEERING DATA CONTINUED »

Model Number	Nominal Tons <sup>(1)</sup>	Motor HP		Approximate Weight (lbs)			Dimensions					Connection Size <sup>(3,6)</sup>		Spray Pump (GPM)	Internal Coil Volume (GAL)
		Fan	Pump	Operating Weight <sup>(2)</sup>	Shipping Weight	Heaviest Section	L	W	H	A	P	Make-Up Water	Coil		
FXV-1212B-12D-K	123	10	7.5	19,370	10,600	6,110	12'-0"	11'-10"	15'-3"	9'-2"	2'-0"	1 1/2"	4"	859	145
FXV-1212B-12D-M	147	20		19,470	10,700	6,210									
FXV-1212B-12D-N	156	25		19,530	10,760	6,260									
FXV-1212B-12D-O	163	30		19,550	10,780	6,280									
FXV-1212B-16D-K	137	10	7.5	20,740	11,570	7,040	12'-0"	11'-10"	15'-3"	9'-2"	2'-0"	1 1/2"	4"	859	193
FXV-1212B-16D-M	166	20		20,850	11,680	7,140									
FXV-1212B-16D-N	176	25		20,910	11,740	7,190									
FXV-1212B-16D-O	185	30		20,930	11,760	7,210									
FXV-1212B-20D-K	148	10	7.5	22,120	12,550	7,960	12'-0"	11'-10"	15'-3"	9'-2"	2'-0"	1 1/2"	4"	859	241
FXV-1212B-20D-M	180	20		22,220	12,650	8,060									
FXV-1212B-20D-N	190	25		22,280	12,710	8,120									
FXV-1212B-20D-O	200	30		22,300	12,730	8,140									
FXV-1212B-24D-K	163	10	7.5	24,040	14,060	9,410	12'-0"	11'-10"	18'-2"	9'-2"	2'-0"	1 1/2"	4"	859	289
FXV-1212B-24D-M	204	20		24,140	14,170	9,510									
FXV-1212B-24D-N	219	25		24,200	14,230	9,560									
FXV-1212B-24D-O	230	30		24,220	14,250	9,580									
FXV-1212B-28D-K	170	10	7.5	25,410	15,040	10,340	12'-0"	11'-10"	18'-2"	9'-2"	2'-0"	1 1/2"	4"	859	337
FXV-1212B-28D-M	213	20		25,520	15,140	10,440									
FXV-1212B-28D-N	228	25		25,570	15,200	10,490									
FXV-1212B-28D-O	241	30		25,600	15,220	10,510									
FXV-1212B-24T-K	156	10	7.5	24,110	14,110	9,450	12'-0"	11'-10"	18'-2"	9'-2"	2'-0"	1 1/2"	6"	859	289
FXV-1212B-24T-M	194	20		24,220	14,220	9,550									
FXV-1212B-24T-N	207	25		24,270	14,270	9,610									
FXV-1212B-24T-O	217	30		24,300	14,300	9,630									
FXV-1212C-12D-K	129	10	7.5	19,600	10,830	6,110	12'-0"	11'-10"	16'-7"	10'-5"	2'-0"	1 1/2"	4"	859	145
FXV-1212C-12D-L	145	15		19,680	10,910	6,190									
FXV-1212C-12D-M	155	20		19,700	10,940	6,210									
FXV-1212C-12D-N	164	25		19,760	10,990	6,260									
FXV-1212C-12D-O	171	30		19,790	11,020	6,280									
FXV-1212C-12D-P	184	40		20,090	11,320	6,570									
FXV-1212C-16D-K	146	10	7.5	20,980	11,810	7,040	12'-0"	11'-10"	16'-6 1/4"	11'-5 1/2"	1'-2"	1 1/2"	4"	859	193
FXV-1212C-16D-L	162	15		21,060	11,890	7,110									
FXV-1212C-16D-M	175	20		21,080	11,910	7,140									
FXV-1212C-16D-N	185	25		21,140	11,970	7,190									
FXV-1212C-16D-O	193	30		21,160	11,990	7,210									
FXV-1212C-16D-P	208	40		21,460	12,290	7,500									



**NOTES:**

- Nominal tons of cooling represents 3 GPM of water cooled from 95°F to 85°F at a 78°F entering wet-bulb temperature.
- Operating weight is for the unit with the water level in the cold water basin at the overflow.
- The actual size of the inlet and outlet connection may vary with the design flow rate. Consult unit print for dimensions.
- Inlet and outlet connections are beveled for welding.

- Models with whisper quiet fans may have heights up to 5-1/2" greater than shown.
- Standard make-up, drain and overflow connections are located on the bottom of the unit. Make-up connection is 1-1/2" MPT standpipe, drain is 2" FPT and overflow is 3" FPT. On single air-inlet models, standard make-up, drain and overflow connections are MPT.
- The riser pipe diameter for the FXV-08XX models is 4". The riser pipe diameter for the FXV-1212 models is 6" and is 8" for the FXV-1218.

**Do not use for construction.** Refer to factory certified dimensions. This handbook includes data current at the time of publication, which should be reconfirmed at the time of purchase.

Model Number	Nominal Tons <sup>(1)</sup>	Motor HP		Approximate Weight (lbs)			Dimensions					Connection Size <sup>(3,6)</sup>		Spray Pump (GPM)	Internal Coil Volume (GAL)
		Fan	Pump	Operating Weight <sup>(2)</sup>	Shipping Weight	Heaviest Section	L	W	H	A	P	Make-Up Water	Coil		
FXV-1212C-20D-K	157	10	7.5	22,350	12,780	7,960	12'-0"	11'-10"	16'-7"	10'-5"	2'-0"	1 1/2"	4"	859	241
FXV-1212C-20D-L	175	15		22,430	12,860	8,040									
FXV-1212C-20D-M	189	20		22,460	12,880	8,060									
FXV-1212C-20D-N	200	25		22,510	12,940	8,120									
FXV-1212C-20D-O	210	30		22,540	12,970	8,140									
FXV-1212C-20D-P	226	40		22,840	13,270	8,430									
FXV-1212C-24D-K	176	10	7.5	24,270	14,300	9,410	12'-0"	11'-10"	19'-6"	10'-5"	2'-0"	1 1/2"	4"	859	289
FXV-1212C-24D-L	200	15		24,350	14,380	9,490									
FXV-1212C-24D-M	217	20		24,370	14,400	9,510									
FXV-1212C-24D-N	232	25		24,430	14,460	9,560									
FXV-1212C-24D-O	244	30		24,450	14,480	9,580									
FXV-1212C-24D-P	267	40		24,750	14,780	9,870									
FXV-1212C-28D-K	183	10	7.5	25,640	15,270	10,340	12'-0"	11'-10"	19'-6"	10'-5"	2'-0"	1 1/2"	4"	859	337
FXV-1212C-28D-L	208	15		25,720	15,350	10,410									
FXV-1212C-28D-M	227	20		25,750	15,380	10,440									
FXV-1212C-28D-N	242	25		25,810	15,430	10,490									
FXV-1212C-28D-O	255	30		25,830	15,460	10,510									
FXV-1212C-32D-K	189	10	7.5	27,020	16,250	11,260	12'-0"	11'-10"	19'-6"	10'-5"	2'-0"	1 1/2"	4"	859	385
FXV-1212C-32D-L	215	15		27,100	16,330	11,340									
FXV-1212C-32D-M	235	20		27,120	16,350	11,360									
FXV-1212C-36D-K	193	10	7.5	28,390	17,220	12,190	12'-0"	11'-10"	19'-6"	10'-5"	2'-0"	1 1/2"	4"	859	433
FXV-1212C-36D-L	221	15		28,470	17,300	12,270									
FXV-1212C-24T-K	168	10	7.5	24,340	14,340	9,450	12'-0"	11'-10"	19'-6"	10'-5"	2'-0"	1 1/2"	6"	859	289
FXV-1212C-24T-L	190	15		24,420	14,420	9,530									
FXV-1212C-24T-M	206	20		24,450	14,450	9,550									
FXV-1212C-24T-N	220	25		24,510	14,510	9,610									
FXV-1212C-24T-O	231	30		24,530	14,530	9,630									
FXV-1212C-24T-P	252	40		24,830	14,830	9,910									
FXV-1212C-30T-K	178	10	7.5	26,400	15,800	10,840	12'-0"	11'-10"	19'-6"	10'-5"	2'-0"	1 1/2"	6"	859	361
FXV-1212C-30T-L	202	15		26,480	15,880	10,920									
FXV-1212C-30T-M	221	20		26,510	15,910	10,940									
FXV-1212C-30T-N	235	25		26,570	15,960	11,000									
FXV-1212C-30T-O	248	30		26,590	15,990	11,020									
FXV-1212C-30T-P	271	40		26,890	16,290	11,300									
FXV-1212C-36T-K	186	10	7.5	28,460	17,260	12,230	12'-0"	11'-10"	19'-6"	10'-5"	2'-0"	1 1/2"	6"	859	433
FXV-1212C-36T-L	212	15		28,540	17,340	12,310									
FXV-1212C-36T-M	232	20		28,570	17,360	12,330									
FXV-1212C-36T-N	247	25		28,620	17,420	12,380									
FXV-1212C-36T-O	260	30		28,650	17,440	12,410									
FXV-1212C-36T-P	285	40		28,950	17,740	12,690									
FXV-1212C-16Q-K	123	10	7.5	21,150	11,980	7,200	12'-0"	11'-10"	16'-7"	10'-5"	2'-0"	1 1/2"	6"	859	193
FXV-1212C-16Q-L	137	15		21,230	12,060	7,280									
FXV-1212C-16Q-M	148	20		21,250	12,080	7,300									
FXV-1212C-16Q-N	155	25		21,310	12,140	7,350									
FXV-1212C-16Q-O	163	30		21,330	12,160	7,380									
FXV-1212C-16Q-P	176	40		21,630	12,460	7,660									
FXV-1212C-24Q-K	160	10	7.5	24,430	14,460	9,570	12'-0"	11'-10"	19'-6"	10'-5"	2'-0"	1 1/2"	6"	859	289
FXV-1212C-24Q-L	181	15		24,510	14,540	9,640									
FXV-1212C-24Q-M	196	20		24,540	14,570	9,660									
FXV-1212C-24Q-N	209	25		24,600	14,620	9,720									
FXV-1212C-24Q-O	219	30		24,620	14,650	9,740									
FXV-1212C-24Q-P	239	40		24,920	14,950	10,030									
FXV-1212C-32Q-K	175	10	7.5	27,180	16,400	11,420	12'-0"	11'-10"	19'-6"	10'-5"	2'-0"	1 1/2"	6"	859	385
FXV-1212C-32Q-L	198	15		27,260	16,480	11,490									
FXV-1212C-32Q-M	216	20		27,280	16,510	11,510									
FXV-1212C-32Q-N	230	25		27,340	16,570	11,570									
FXV-1212C-32Q-O	242	30		27,360	16,590	11,590									
FXV-1212C-32Q-P	266	40		27,660	16,890	11,880									
FXV-1212C-36H-K	169	10	7.5	28,750	17,480	12,440	12'-0"	11'-10"	19'-6"	10'-5"	2'-0"	1 1/2"	8"	859	433
FXV-1212C-36H-L	192	15		28,830	17,560	12,520									
FXV-1212C-36H-M	209	20		28,850	17,590	12,540									
FXV-1212C-36H-N	223	25		28,910	17,640	12,600									
FXV-1212C-36H-O	235	30		28,930	17,670	12,620									
FXV-1212C-36H-P	257	40		29,230	17,970	12,900									

SINGLE AIR INLET ENGINEERING DATA CONTINUED »

Model Number	Nominal Tons <sup>(1)</sup>	Motor HP		Approximate Weight (lbs)			Dimensions					Connection Size <sup>(3,6)</sup>		Spray Pump (GPM)	Internal Coil Volume (GAL)
		Fan	Pump	Operating Weight <sup>(2)</sup>	Shipping Weight	Heaviest Section	L	W	H	A	P	Make-Up Water	Coil		
FXV-1218B-12D-K	198	15	10	28,910	15,630	8,990	18'-0"	11'-10"	15'-9"	9'-7"	2'-6"	1 1/2"	4"	1,300	217
FXV-1218B-12D-L	223	22.5		29,090	15,810	9,160									
FXV-1218B-12D-M	241	30		29,130	15,840	9,190									
FXV-1218B-12D-N	254	37.5		29,180	15,900	9,250									
FXV-1218B-12D-O	267	45		29,290	16,010	9,350									
FXV-1218B-16D-K	218	15	10	31,140	17,250	10,540	18'-0"	11'-10"	15'-9"	9'-7"	2'-6"	1 1/2"	4"	1,300	289
FXV-1218B-16D-L	247	22.5		31,250	17,370	10,650									
FXV-1218B-16D-M	265	30		31,290	17,400	10,680									
FXV-1218B-16D-N	282	37.5		31,350	17,460	10,730									
FXV-1218B-20D-K	231	15	10	33,300	18,820	12,020	18'-0"	11'-10"	15'-9"	9'-7"	2'-6"	1 1/2"	4"	1,300	361
FXV-1218B-24T-K	248	15	10	36,200	21,080	14,180	18'-0"	11'-10"	18'-8"	9'-7"	2'-6"	1 1/2"	6"	1,300	433
FXV-1218B-24T-L	283	22.5		36,320	21,200	14,290									
FXV-1218B-24T-M	311	30		36,350	21,230	14,320									
FXV-1218B-24T-N	331	37.5		36,410	21,290	14,380									
FXV-1218B-24T-O	347	45		36,510	21,390	14,480									
FXV-1218B-16Q-K	196	15	10	31,320	17,440	10,710	18'-0"	11'-10"	15'-9"	9'-7"	2'-6"	1 1/2"	6"	1,300	289
FXV-1218B-16Q-L	219	22.5		31,440	17,560	10,820									
FXV-1218B-16Q-M	236	30		31,470	17,590	10,860									
FXV-1218B-16Q-N	251	37.5		31,530	17,650	10,910									
FXV-1218B-16Q-O	262	45		31,640	17,750	11,010									
FXV-1218B-24Q-K	241	15	10	36,300	21,210	14,300	18'-0"	11'-10"	18'-8"	9'-7"	2'-6"	1 1/2"	6"	1,300	433
FXV-1218B-24Q-L	275	22.5		36,410	21,330	14,410									
FXV-1218B-24Q-M	301	30		36,450	21,360	14,450									
FXV-1218B-24Q-N	320	37.5		36,500	21,420	14,500									
FXV-1218B-24Q-O	335	45		36,610	21,520	14,600									
FXV-1218B-36H-K	254	15	10	42,980	26,000	18,860	18'-0"	11'-10"	18'-8"	9'-7"	2'-6"	1 1/2"	8"	1,300	649
FXV-1218B-36H-L	292	22.5		43,100	26,110	18,970									
FXV-1218B-36H-M	319	30		43,130	26,150	19,000									
FXV-1218B-36H-N	341	37.5		43,190	26,200	19,060									
FXV-1218B-36H-O	360	45		43,290	26,310	19,160									
FXV-1218C-12D-K	212	15	10	29,230	15,940	8,990	18'-0"	11'-10"	17'-1"	10'-11"	2'-6"	1 1/2"	4"	1,300	217
FXV-1218C-12D-L	235	22.5		29,410	16,130	9,160									
FXV-1218C-12D-M	252	30		29,440	16,160	9,190									
FXV-1218C-12D-N	266	37.5		29,500	16,220	9,250									
FXV-1218C-12D-O	278	45		29,610	16,320	9,350									
FXV-1218C-12D-P	301	60		29,930	16,650	9,660									



**NOTES:**

1. Nominal tons of cooling represents 3 GPM of water cooled from 95°F to 85°F at a 78°F entering wet-bulb temperature.
2. Operating weight is for the unit with the water level in the cold water basin at the overflow.
3. The actual size of the inlet and outlet connection may vary with the design flow rate. Consult unit print for dimensions.
4. Inlet and outlet connections are beveled for welding.

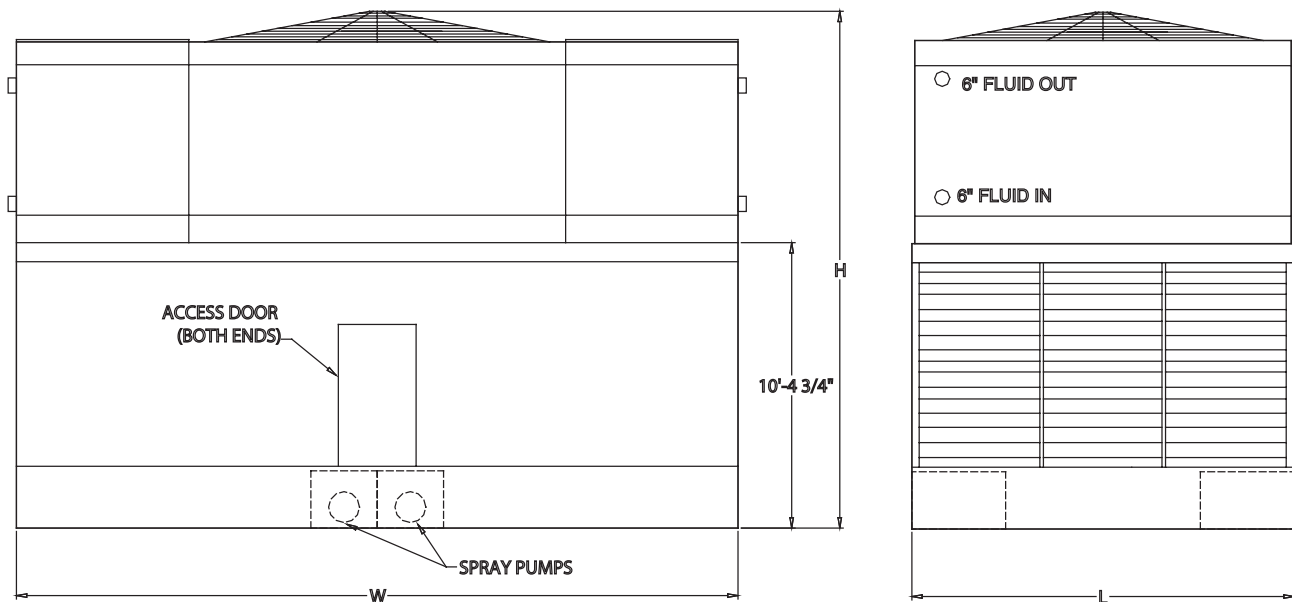
5. Models with whisper quiet fans may have heights up to 5-1/2" greater than shown.
6. Standard make-up, drain and overflow connections are located near the bottom of the unit. Make-up connection is 1-1/2" MPT standpipe, drain is 2" FPT and overflow is 3" FPT. On single air- inlet models, standard make-up, drain and overflow connections are MPT.
7. The riser pipe diameter for the FXV-08XX models is 4". The riser pipe diameter for the FXV-1212 models is 6" and is 8" for the FXV-1218.

**Do not use for construction.** Refer to factory certified dimensions. This handbook includes data current at the time of publication, which should be reconfirmed at the time of purchase.

Model Number	Nominal Tons <sup>(1)</sup>	Motor HP		Approximate Weight (lbs)			Dimensions					Connection Size <sup>(3,6)</sup>		Spray Pump (GPM)	Internal Coil Volume (GAL)
		Fan	Pump	Operating Weight <sup>(2)</sup>	Shipping Weight	Heaviest Section	L	W	H	A	P	Make-Up Water	Coil		
FXV-1218C-16D-K	231	15	10	31,460	17,570	10,540	18'-0"	11'-10"	17'-1"	10'-11"	2'-6"	1 1/2"	4"	1,300	289
FXV-1218C-16D-L	258	22.5		31,570	17,690	10,650									
FXV-1218C-16D-M	279	30		31,610	17,720	10,680									
FXV-1218C-20D-K	245	15	10	33,620	19,130	12,020	18'-0"	11'-10"	17'-1"	10'-11"	2'-6"	1 1/2"	4"	1,300	361
FXV-1218C-24T-K	266	15	10	36,520	21,400	14,180	18'-0"	11'-10"	20'-0"	10'-11"	2'-6"	1 1/2"	6"	1,300	433
FXV-1218C-24T-L	316	22.5		36,630	21,520	14,290									
FXV-1218C-24T-M	329	30		36,670	21,550	14,320									
FXV-1218C-24T-N	351	37.5		36,730	21,610	14,380									
FXV-1218C-24T-O	369	45		36,830	21,710	14,480									
FXV-1218C-24T-P	403	60		37,150	22,040	14,790									
FXV-1218C-30T-K	280	15	10	39,760	23,740	16,410	18'-0"	11'-10"	20'-0"	10'-11"	2'-6"	1 1/2"	6"	1,300	541
FXV-1218C-30T-L	302	22.5		39,870	23,850	16,520									
FXV-1218C-30T-M	348	30		39,910	23,890	16,550									
FXV-1218C-30T-N	373	37.5		39,960	23,950	16,610									
FXV-1218C-30T-O	391	45		40,070	24,050	16,710									
FXV-1218C-36T-K	290	15	10	43,000	26,070	18,630	18'-0"	11'-10"	20'-0"	10'-11"	2'-6"	1 1/2"	6"	1,300	649
FXV-1218C-36T-L	333	22.5		43,110	26,190	18,740									
FXV-1218C-16Q-K	207	15	10	31,640	17,760	10,710	18'-0"	11'-10"	17'-1"	10'-11"	2'-6"	1 1/2"	6"	1,300	289
FXV-1218C-16Q-L	231	22.5		31,760	17,870	10,820									
FXV-1218C-16Q-M	249	30		31,790	17,910	10,860									
FXV-1218C-16Q-N	262	37.5		31,850	17,970	10,910									
FXV-1218C-16Q-O	275	45		31,950	18,070	11,010									
FXV-1218C-16Q-P	296	60		32,280	18,390	11,320									
FXV-1218C-24Q-K	258	15	10	36,610	21,530	14,300	18'-0"	11'-10"	20'-0"	10'-11"	2'-6"	1 1/2"	6"	1,300	433
FXV-1218C-24Q-L	293	22.5		36,730	21,640	14,410									
FXV-1218C-24Q-M	318	30		36,760	21,680	14,450									
FXV-1218C-24Q-N	338	37.5		36,820	21,740	14,500									
FXV-1218C-24Q-O	359	45		36,930	21,840	14,600									
FXV-1218C-24Q-P	388	60		37,250	22,160	14,910									
FXV-1218C-32Q-K	277	15	10	40,930	24,640	17,270	18'-0"	11'-10"	20'-0"	10'-11"	2'-6"	1 1/2"	6"	1,300	577
FXV-1218C-32Q-L	316	22.5		41,050	24,760	17,380									
FXV-1218C-32Q-M	344	30		41,080	24,790	17,410									
FXV-1218C-32Q-N	367	37.5		41,140	24,850	17,470									
FXV-1218C-32Q-O	387	45		41,240	24,950	17,570									
FXV-1218C-32Q-P	424	60		41,570	25,280	17,870									
FXV-1218C-36H-K	273	15	10	43,300	26,310	18,860	18'-0"	11'-10"	20'-0"	10'-11"	2'-6"	1 1/2"	8"	1,300	649
FXV-1218C-36H-L	311	22.5		43,420	26,430	18,970									
FXV-1218C-36H-M	339	30		43,450	26,460	19,000									
FXV-1218C-36H-N	362	37.5		43,510	26,520	19,060									
FXV-1218C-36H-O	383	45		43,610	26,630	19,160									
FXV-1218C-36H-P	417	60		43,940	26,950	19,470									

## DUAL AIR INLET MODELS

# Engineering Data



### NOTES:

1. Nominal tons of cooling represents 3 GPM of water cooled from 95°F to 85°F at a 78°F entering wet-bulb temperature.
2. Operating weight is for the tower with the water level in the cold water basin at the overflow.
3. The actual size of the inlet and outlet connection may vary with the design flow rate. Consult unit print for dimensions.
4. Inlet and outlet connections are beveled for welding.
5. Models with whisper quiet fans may have heights up to 5-1/2" greater than shown.
6. Standard make-up, drain and overflow connections are located on the bottom of the unit. Make-up connection is 1-1/2" MPT standpipe, drain is 2" FPT and overflow is 3" FPT. On single air-inlet models, standard make-up, drain and overflow connections are MPT.
7. For all dual air inlet models, the riser pipe is 6".

**Do not use for construction.** Refer to factory certified dimensions. This handbook includes data current at the time of publication, which should be reconfirmed at the time of purchase.

Model Number	Nominal Tons <sup>1</sup>	Motor HP		Weights (lbs)			Dimensions			Spray Pump (GPM)	Internal Coil Volume (GAL)				
		Fan	Pump	Operating <sup>2</sup>	Shipping	Heaviest Section	L	W	H						
FXV-288-31M	344	20	15	46,000	27,680	8,050	11'-11"	24'-1/2"	18'-10 3/8"	1,720	600				
FXV-288-31N	367	25		46,030	27,710	8,050					600				
FXV-288-31O	386	30		46,080	27,760	8,050					600				
FXV-288-31P	419	40		46,240	27,920	8,050					600				
FXV-288-31Q	445	50		46,250	27,930	8,050					600				
FXV-288-31R	468	60		46,465	28,145	8,050					600				
FXV-288-41M	364	20		49,690	30,440	9,430					712				
FXV-288-41N	389	25		49,720	30,470	9,430					712				
FXV-288-41O	412	30		49,770	30,520	9,430					712				
FXV-288-41P	448	40		49,930	30,680	9,430					712				
FXV-288-41Q	478	50		49,940	30,690	9,430					712				
FXV-288-41R	502	60		50,155	30,905	9,430					712				
FXV-288-2TM	349	20		49,690	30,440	9,430					712				
FXV-288-2TN	372	25		49,720	30,470	9,430					712				
FXV-288-2TO	392	30		49,770	30,520	9,430					712				
FXV-288-2TP	424	40		49,930	30,680	9,430					712				
FXV-288-2TQ	449	50		49,940	30,690	9,430					712				
FXV-288-2TR	470	60		50,155	30,905	9,430					712				
FXV-288-1QM	325	20		49,690	30,440	9,430					706				
FXV-288-1QN	347	25		49,720	30,470	9,430					706				
FXV-288-1QO	365	30		49,770	30,520	9,430					706				
FXV-288-1QP	394	40		49,930	30,680	9,430					706				
FXV-288-1QQ	418	50		49,940	30,690	9,430					706				
FXV-288-1QR	439	60		50,160	30,910	9,430					706				
FXV-364-31N	442	25		15	53,900	31,630					9,390	13'-11 1/8"	26'-3 1/2"	1,720	696
FXV-364-31O	463	30			53,950	31,680					9,390				696
FXV-364-31P	496	40			54,110	31,840					9,390				696
FXV-364-31Q	525	50			54,120	31,850					9,390				696
FXV-364-31R	550	60	54,335		32,065	9,390	696								
FXV-364-31S	579	75	54,435		32,165	9,390	696								
FXV-364-41N	464	25	58,260		34,910	11,030	828								
FXV-364-41O	489	30	58,310		34,960	11,030	828								
FXV-364-41P	530	40	58,470		35,120	11,030	828								
FXV-364-41Q	561	50	58,480		35,130	11,030	828								
FXV-364-41R	589	60	58,695		35,345	11,030	828								
FXV-364-41S	624	75	58,795		35,445	11,030	828								
FXV-364-2TN	443	25	58,260		34,910	11,030	828								
FXV-364-2TO	463	30	58,310		34,960	11,030	828								
FXV-364-2TP	498	40	58,470		35,120	11,030	828								
FXV-364-2TQ	526	50	58,480		35,130	11,030	828								
FXV-364-2TR	549	60	58,695		35,345	11,030	828								
FXV-364-2TS	574	75	58,795		35,445	11,030	828								
FXV-364-1QN	420	25	58,260		34,910	11,030	862								
FXV-364-1QO	442	30	58,310		34,960	11,030	862								
FXV-364-1QP	472	40	58,470		35,120	11,030	862								
FXV-364-1QQ	499	50	58,480		35,130	11,030	862								
FXV-364-1QR	522	60	58,700		35,350	11,030	862								
FXV-364-1QS	550	70	58,800		35,450	11,030	862								

# Structural Support

The recommended support arrangement for FXV Closed Circuit Cooling Towers consists of parallel I-beams positioned as shown on the drawings. Besides providing adequate support, the steel also serves to raise the unit above any solid foundation to assure access to the bottom of the tower. Alternate steel support designs include a cantilevered plan as indicated by the optional minimum “D” dimension in the table below. To support an FXV on columns or in an alternate arrangement not shown here, consult your local BAC Representative.

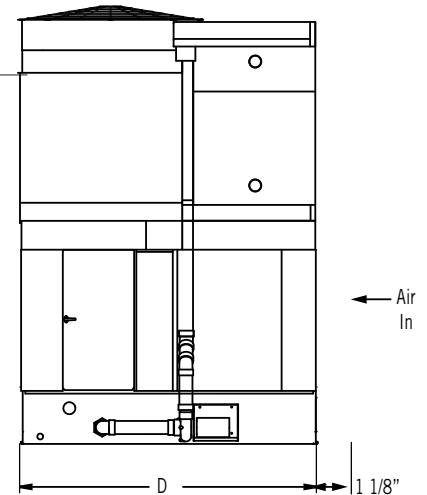
## NOTES:

1. Support steel and anchor bolts to be designed and furnished by others.
2. All support steel must be level at the top.
3. Beams must be selected in accordance with accepted structural practice. Maximum deflection of beam under unit to be 1/360 of span, not to exceed 1/2 inch.
4. If vibration isolation rails are to be used between the unit and supporting steel, be certain to allow for the length of the vibration rails when determining the length of the supporting steel, as vibration rail length and mounting hole locations may differ from those of the unit.
5. If point vibration isolation is used with multi-cell units, the isolators must be located under the support steel, not between the support steel and the closed circuit cooling towers.



## SINGLE AIR INLET

Model Number	D	Maximum Deflection
FXV-0806	8'-3 1/2"	1/2"
FXV-0809	8'-3 1/2"	1/2"
FXV-0812	8'-3 1/2"	1/2"
FXV-0818	8'-3 1/2"	1/2"
FXV-1212	11'-7 3/4"	1/2"
FXV-1218	11'-7 3/4"	1/2"



## DUAL AIR INLET

Model Number	D	Maximum Deflection
FXV-288-xxx	23' 9-1/8"	1/2"
FXV-364-xxx	26' 0-5/8"	1/2"

