



Parts Manual

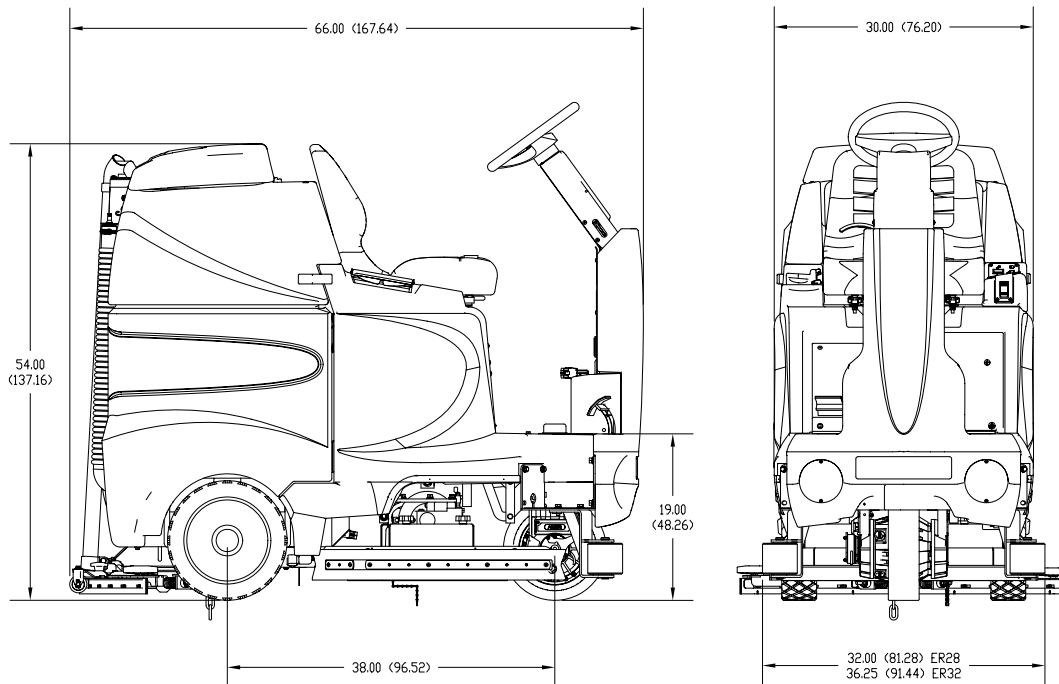
E Ride 28/32 Scrubber

This machine was designed to give you excellent performance and efficiency. For best results and minimal cost, please follow the general guidelines below:

- Operate the machine with reasonable care.
- Follow the manufacturers suggested maintenance instructions as provided in the user manual.
- Use original Minuteman supplied parts.

TECHNICAL SPECIFICATIONS

Model	<i>E RIDE 2832</i>
Model No.	ER2832QP
Current	60 Amps
Voltage, Batteries	36 volts, 6-6volt
Battery Capacity	275 Ah (Optional 395 Ah batteries available)
Sound Level	75 dB
Dimensions (LxWxH)	66" x 31" x 54" (167.64cm x 78.74cm x 137cm)
Gross Weight	1,243 lbs (564 kg) with batteries 847 lbs (384 kg) without batteries
Working Grade Transport	10% (7°)
Wheel to Floor Pressure	64 PSI Front, 69 PSI Rear

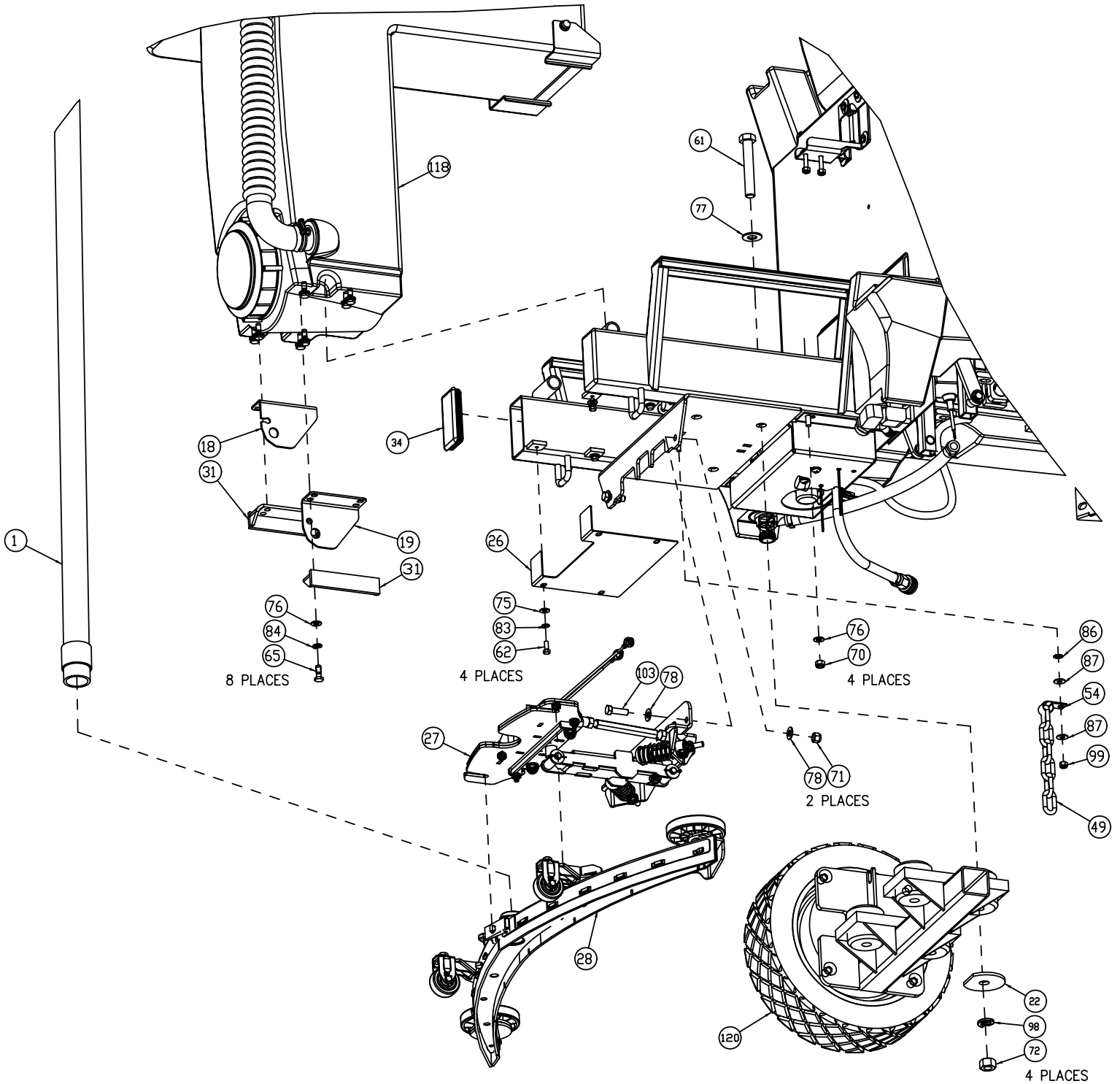


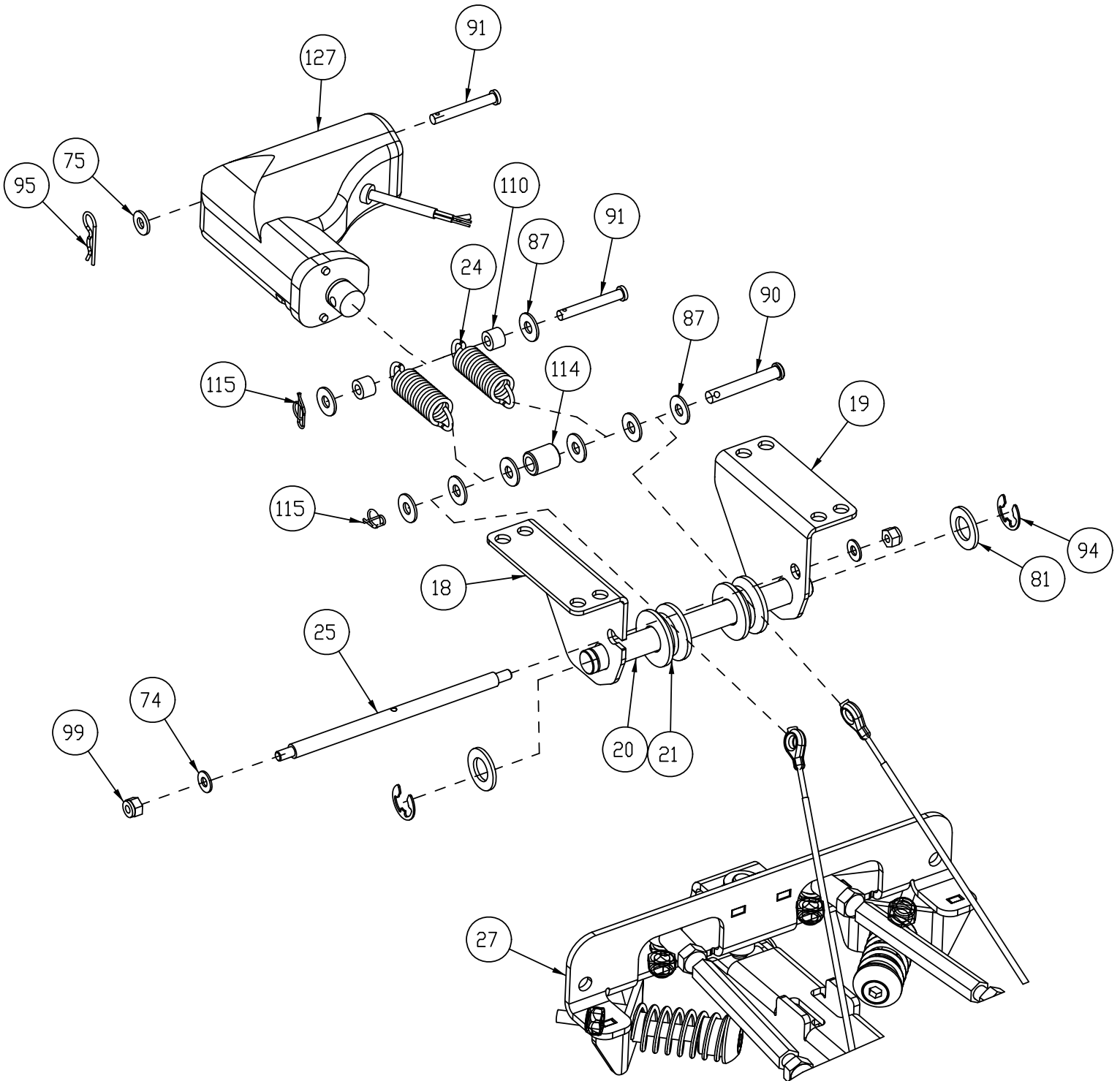
For Safety When Servicing or Maintaining Machine

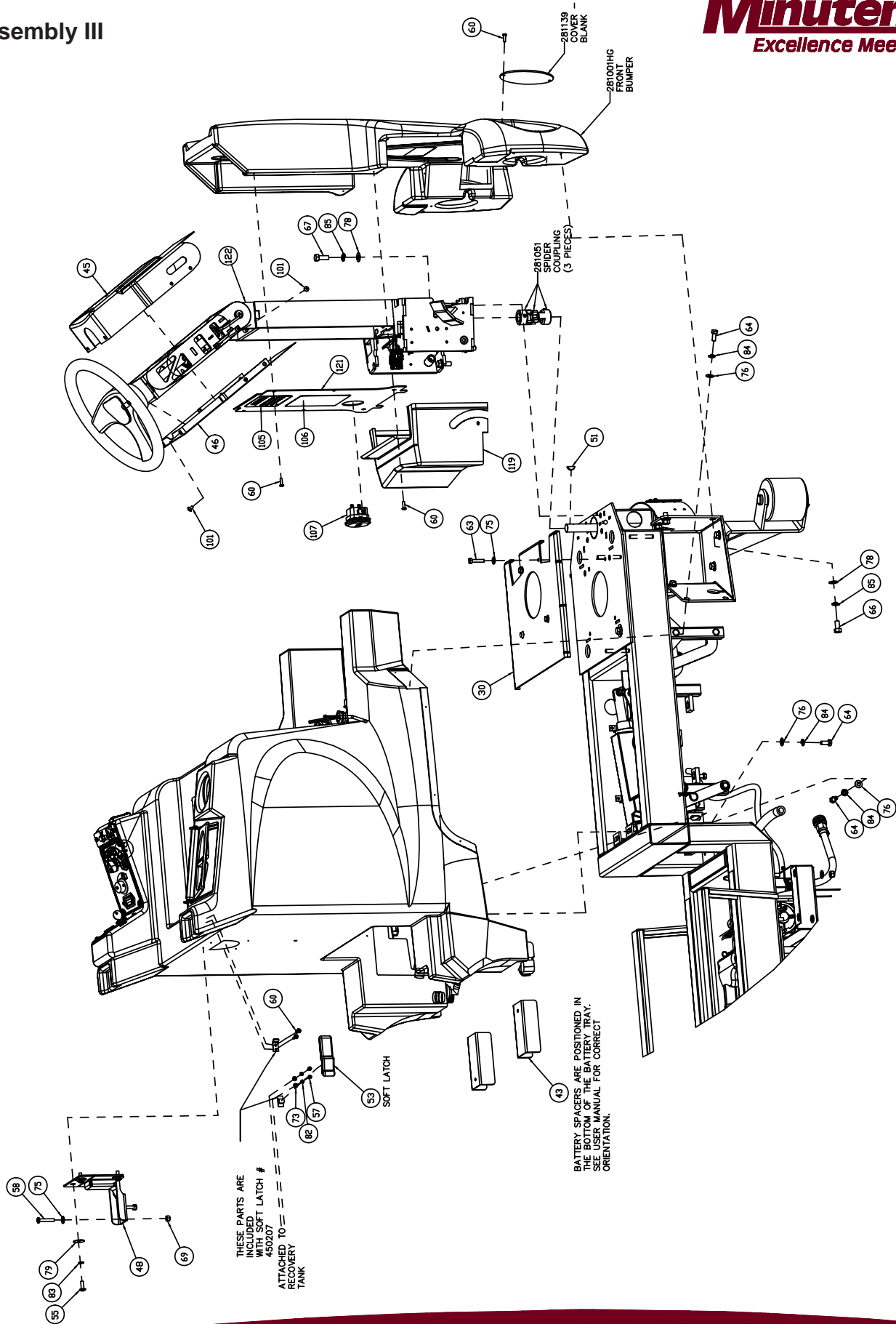
- Stop on level surface.
- Disconnect the power to the machine by pulling the red Battery Connector located under the recovery tank near the batteries.
- Avoid moving parts. Do not wear loose jackets, shirts, or sleeves when working on machine.
- Avoid contact with battery acid. Battery acid can cause burns. When working on or around batteries, wear protective clothing and safety glasses. Remove metal jewelry. Do not lay tools or metal objects on top of batteries.
- Do not clean machine with a pressure washer.
- Authorized personnel must perform repairs and maintenance. Use Minuteman supplied replacement parts.

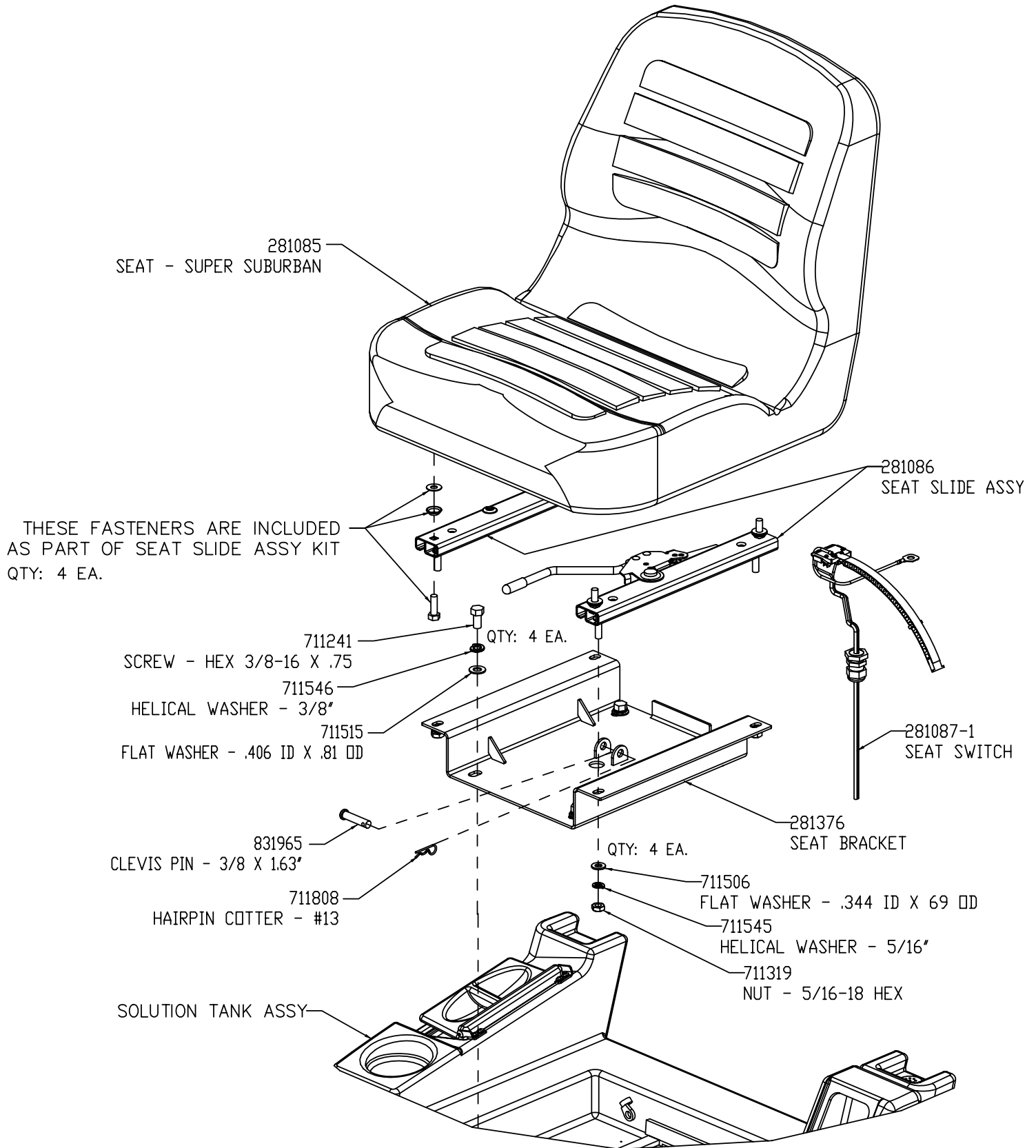
Table of Contents

Main Assembly I	1
Main Assembly II	2
Main Assembly III	3
Main Assembly IV	4
Mainframe Assembly V	6
Main Assembly VI	8
Drive Motor Cable Assembly	10
Front Drive Assembly	11
Steering Assembly	13
Solution Tank Assembly / Seat Assembly	15
Console Assembly	16
Controls Assembly	18
Electrical Panel Assembly	19
Circuit Breaker Assembly	21
Recovery Tank Assembly I	22
Recovery Tank Assembly II	23
Fixed Lid Assembly	25
Recovery Tank Drain (Dump) Hose Assembly	26
Battery Box Assembly	27
Pump Assembly	28
Rear Axle Assembly	30
Squeegee Mechanism Assembly	31
Squeegee Mechanism Adjustment View	33
Rear Squeegee Assembly	34
28" Cylindrical Scrub Deck	35
32" Cylindrical Scrub Deck	39
28" Disc Scrub Deck	43
32" Disc Scrub Deck	46
Cylindrical Scrub Deck Side Squeegee (Left Hand Side)	49
Cylindrical Scrub Deck Side Squeegee (Right Hand Side)	50
Disc Scrub Deck Side Squeegee (Left Hand Side)	51
Disc Scrub Deck Side Squeegee (Right Hand Side)	52
Cylindrical Scrub Deck and Roller Bumper Mounting	53
Disc Scrub Deck and Roller Bumper Mounting	55
Plumbing Diagram	57
Wiring Diagrams	58
Minuteman International Made Simple Commercial Limited Warranty	63





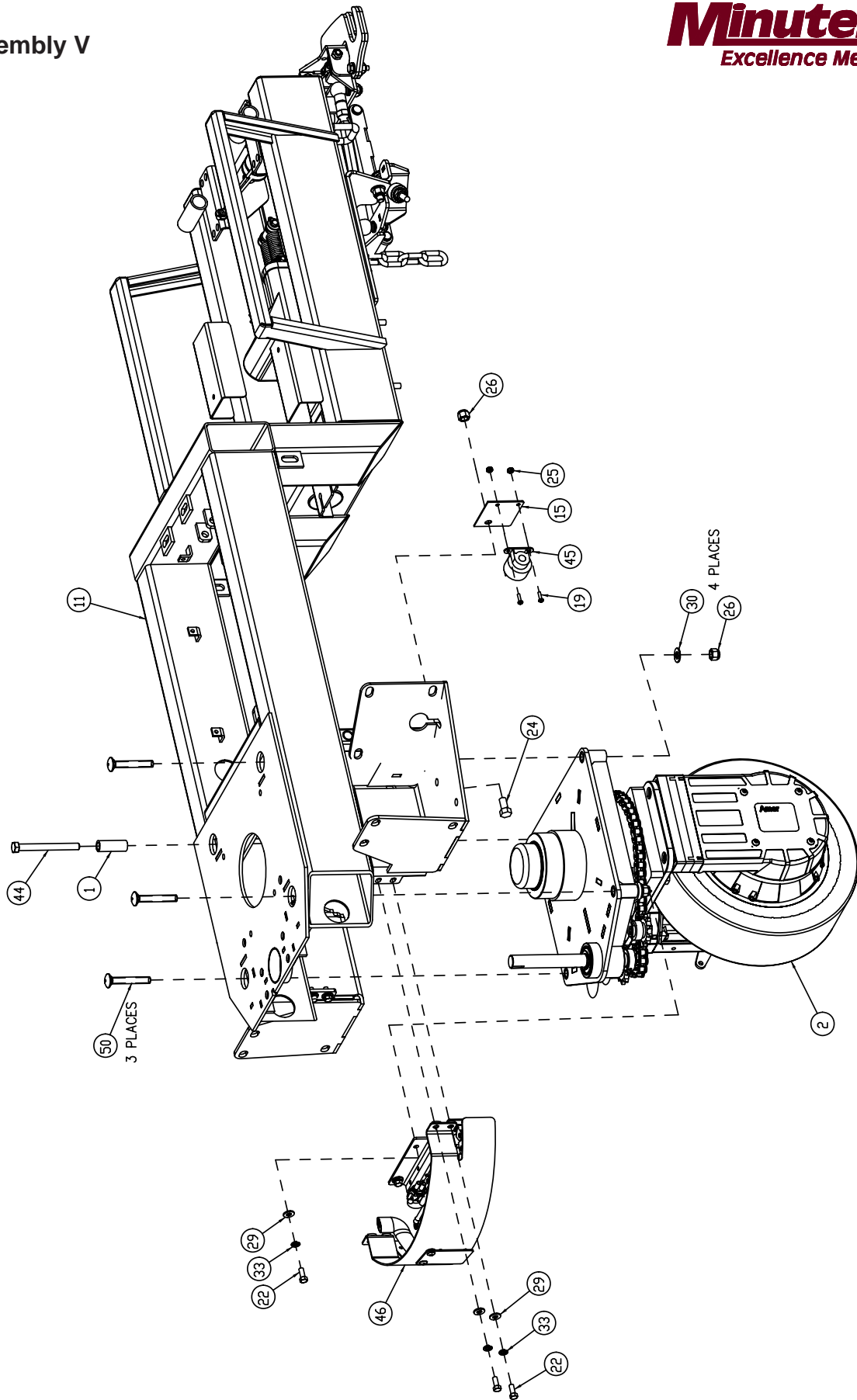




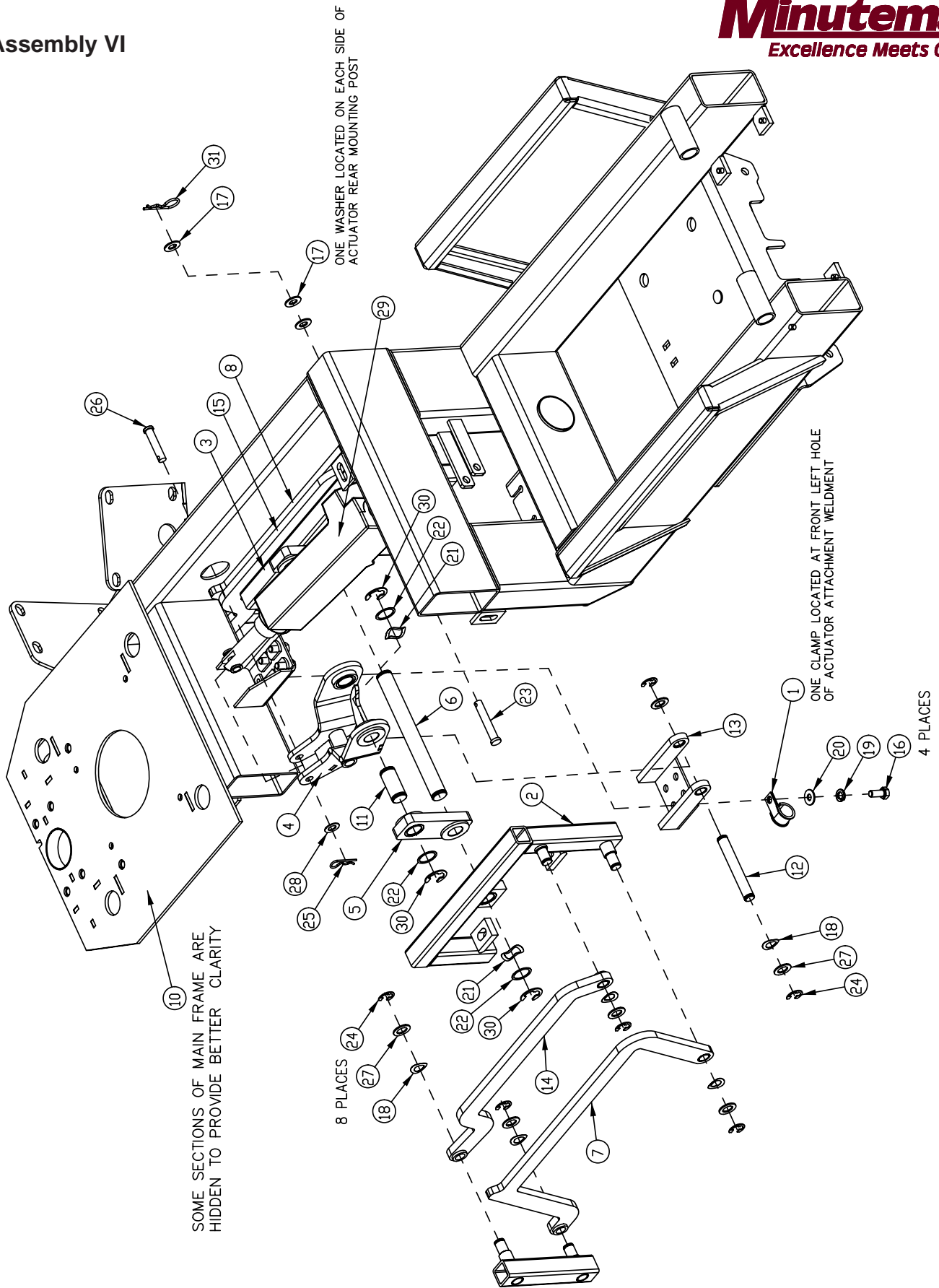
Mainframe Assembly I-IV BOM



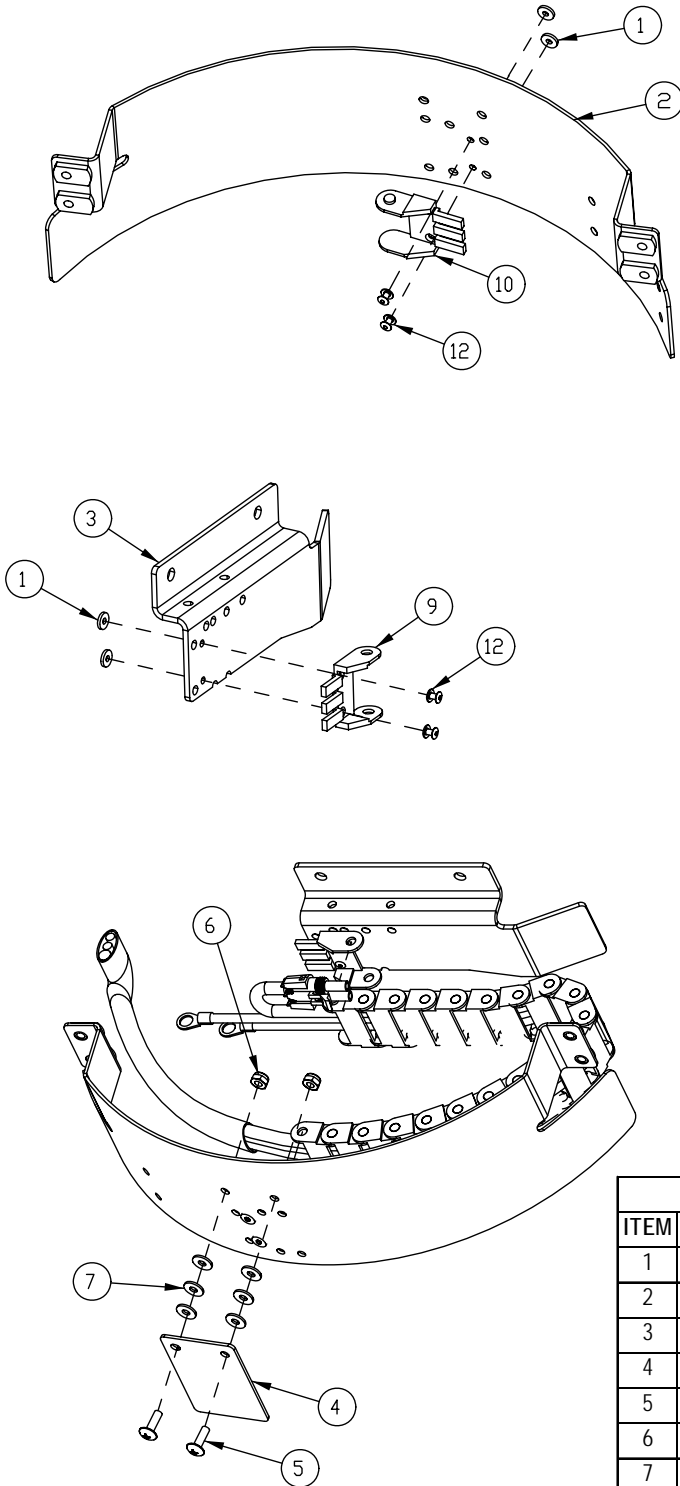
BILL OF MATERIAL - SC2832M							
ITEM	PART NO.	REQ'D	DESCRIPTION	ITEM	PART NO.	REQ'D	DESCRIPTION
1	241356	1	VACUUM HOSE - 48" FLEXIBLE W/ PVC CUFFS	65	711229	8	BLT-HH 5/16-18 x .875
2	241468	1	LEFT LIFT WELDMENT W/BUSHING, SCV 24/26	66	711241	11	SCR-HEX 3/8 -16X .75" ZP
3	241470	1	RIGHT LIFT WELDMENT W/BUSHING, SCV 24/26	67	711242	6	BLT-HH 3/8 -16 X 1.00
4	260125	1	BUSHING YOKE, .407 X 1.687 STL	68	711371	2	NUT-NYLOC 6-32 STL ZINC
5	281014	1	BATTERY TRAY ASSY	69	711373	2	NUT-NYLOC 1/4-20
6	281020	1	FRONT BUMPER ASSY. - E RIDE 2832	70	711374	4	NUT-NYLOC 5/16-18
7	281051	1	SPIDER COUPLING, 3/4"	71	711380	7	NUT-NYLOC 3/8-16 NUT
8	281065	1	ANTISKID PEDAL	72	711445	4	NUT HEX 5/8 X 11 PLATED
9	281066	1	ANTISKID STEP, LH	73	711502	2	WSR-FLT .170 x.38 x.032 STL ZINC
10	281067	1	ANTISKID STEP, RH	74	711504	2	WSR-FLAT 1/4 ID SS
11	281068	1	ANTISKID FLOOR	75	711505	17	1/4 FLAT WASHER, STEEL
12	281161	1	ACTUATOR CRANK ASSEMBLY	76	711506	20	WSR-FLT .344 X .690 X .062, STEEL
13	281171	2	ACTUATOR LIFT LINK ASSEMBLY	77	711511	4	WSR-FLAT .62 X 1.31 X .09
14	281174	1	LINK ATTACHMENT SHAFT	78	711515	31	WSR-FLAT .406 X .812 X .0625
15	281175	1	LOWER LINK ASSY, LEFT	79	711519	4	WSR-FLAT .25 X 1.01 X .06
16	281176	1	LOWER LINK ASSY, RIGHT	80	711524	10	WSR-WAVE .52 X .87 X .01
17	281189	1	FRONT DRIVE ASSEMBLY - E RIDE 2832	81	711527	2	WSR-FLAT .63 X 1.12 X .09
18	281193	1	BRACKET - LIFT, LH	82	711542	4	WSR-HELICAL #8
19	281194	1	BRACKET - LIFT, RH	83	711544	14	WSR-HELICAL 1/4
20	281195	1	SHAFT - PULLEY	84	711545	20	WSR-HELICAL 5/16
21	281196	2	PULLEY - PLASTIC	85	711546	20	WSR-HELICAL 3/8
22	281211	4	SNUBBING WSR	86	711565	1	WSR-EXTERNAL LOCK 5/16
23	281214	1	PUMP SUB-ASSEMBLY ER2832	87	711575	15	WSR-FLT .31x.75x.06ST
24	281225	2	SPRING - EXTENSION, 3.00"	88	711583	4	WSR-WAVE .78 X 1.00 X .02
25	281227	1	ROD - CONTAINMENT	89	711588	7	WASHER - FLAT, .76 ID X 1.00 OD X .020
26	281228	1	REAR COVER	90	711671	1	CLEVIS PIN .31X2.13 11-10
27	281230	1	REAR SQUEEGEE MECHANISM - E RIDE 2832	91	711675	2	CLEVIS PIN 1/4 X 1-7/8
28	281250	1	REAR SQUEEGEE ASSY. - 950mm	92	711678	1	CLEVIS PIN 3/8 X 2-1/4
29	281300	1	MAIN FRAME - E RIDE 2832	93	711713	10	RETAINING RING - "E" TYPE EXT .500
30	281351	1	FLOOR PANEL WELDMENT	94	711749	2	RETAINING RING - EXTERNAL "E" TYPE, FOR .62 SHAFT
31	281360	2	FIXED SLIDER WELDT	95	711808	3	COTTER PIN-HAIR #13
32	281365	1	SEAT SUB-ASSY	96	712124	1	CLEVIS PIN, 3/8 X 1-3/4
33	281428	1	SOLUTION BALANCE HOSE	97	712310	10	WSR-FLAT .52 X .87 X .06 PL
34	281446	2	ENDCAP, TUBING 2" X 4"	98	712315	4	WSR-HELI .64 X 1.26 X .06 PL
35	281458	2	LINK ATTACHMENT SHAFT	99	712667	3	NUT, HEX 1/4-20 NYLOC SS
36	281459	1	CRANK PIVOT SHAFT	100	712767	1	FLAT WASHER .406 ID X .75 OD X .
37	281468	1	FRICTION STRIP 9.50"	101	712816	6	SCR-MC 10-24 X .37 ST PL
38	281469	2	FRICTION STRIP 14.25"	102	713042	4	BLT-HH 3/8-16 X 1 #5
39	281470	2	FRICTION STRIP 18.00"	103	713043	2	BLT-HH 3/8-16 X 1 1/4 #5
40	281471	1	ACTUATOR ATMT WMT W/BUSHING ASSY	104	713051	1	BLT-HH 3/8-16 X 3.75 #5
41	281477	1	UPPER LINK ASSY, LEFT	105	715901	1	WARNING DECAL, TANK LATCH
42	281478	1	UPPER LINK ASSY, RIGHT	106	715908	1	DECAL, DIAGNOSTIC CODES SCVS
43	281671	2	BRACKET, U CHANNEL SPACER	107	740539	1	HOUR METER 10 - 80 VDC
44	281955	2	FRONT ROLLER MOUNT BRKT WMT	108	748200	1	HORN / BACK UP ALARM, SCV 24/26
45	281991	1	STEERING COVER, TOP	109	748360	1	DRIVE MOTOR CABLE ASSEMBLY - E RIDE 2832
46	281992	1	STEERING COVER, BOTTOM	110	762371	2	BUSHING .260X.50X.37
47	281996	1	BKT, FOR HORN, SCV2832	111	809148	6	RETAINING RING - "E" TYPE EXT .75
48	281999	1	BATT CONN MOUNT, WMT	112	831965	1	3/8 x 1.63" CLEVIS PIN
49	320996	1	STATIC GROUNDING CHAIN	113	833374	1	PIN, HAIRPIN COTTER 3/8
50	360017	2	3/4" X 4.50 CLEVIS PIN	114	840118	1	BUSHING - .375 ID X .625 OD X .75 L, STEEL
51	383277	2	KEY WOODRUFF 3/16 X 3/4	115	3400125	2	PIN-COTTER 3/8 RUE RING
52	383347	2	CRIMP CLAMP 1/2 HOSE SS 185R	116	3400661	2	PIN-COTTER 5/8 RUE-RING
53	450207	2	LATCH, SOFT #C7-10	117	281010M	1	RECOVERY TANK W/LIDS ASSEMBLY
54	670139	1	LUMINA 20", CHAIN MTG STRAP	118	281012M	1	SOLUTION TANK ASSY - E RIDE 2832



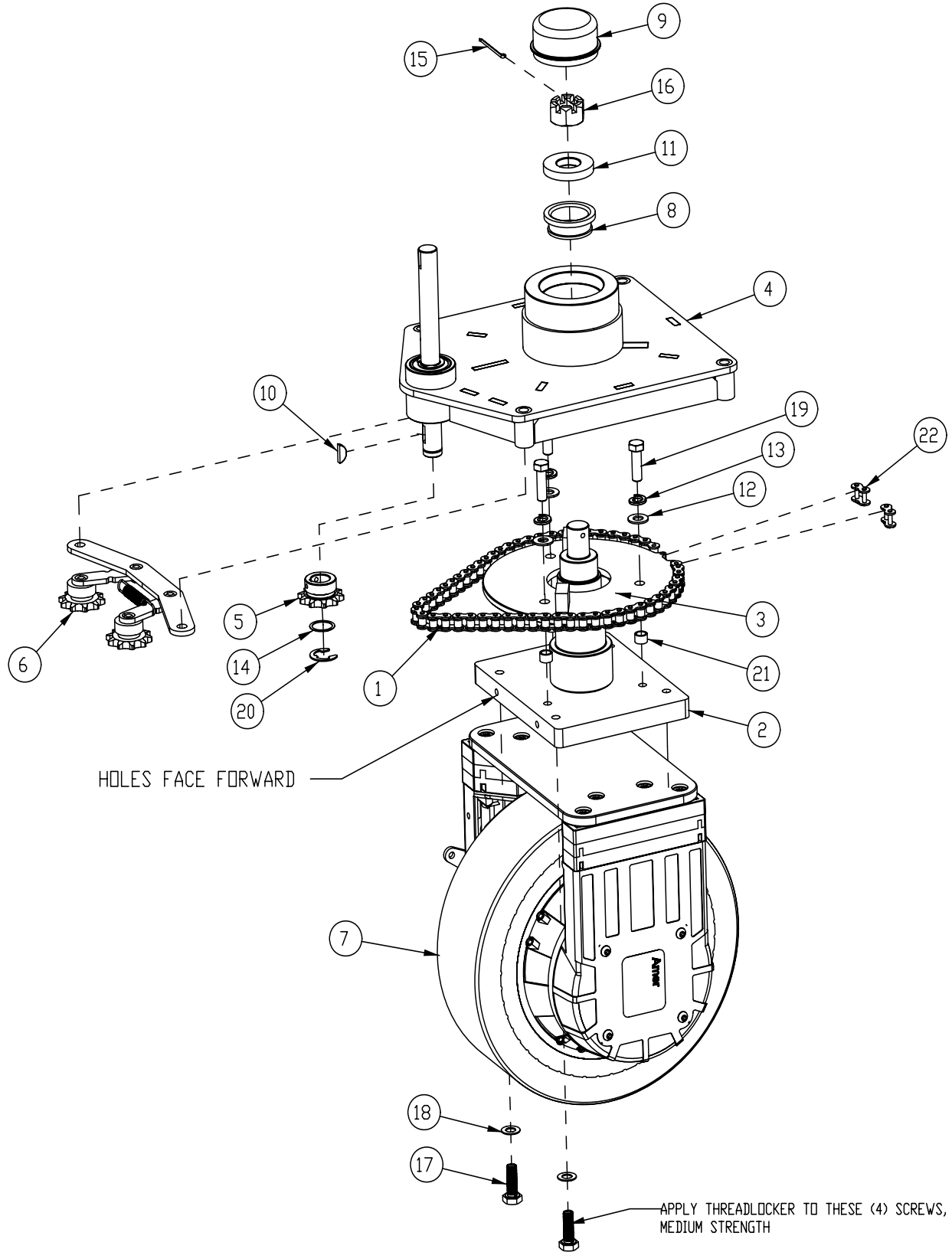
BILL OF MATERIAL - SC2832M			
ITEM	PART NO.	REQ'D	DESCRIPTION
1	260125	1	BUSHING YOKE, .407 X 1.687 STL
2	281189	1	FRONT DRIVE ASSEMBLY - E RIDE 2832
3	281193	1	BRACKET - LIFT, LH
4	281194	1	BRACKET - LIFT, RH
5	281195	1	SHAFT - PULLEY
6	281196	2	PULLEY - PLASTIC
7	281225	2	SPRING - EXTENSION, 3.00"
8	281227	1	ROD - CONTAINMENT
9	281228	1	REAR COVER
10	281230	1	REAR SQUEEGEE MECHANISM - E RIDE 2832
11	281300	1	MAIN FRAME - E RIDE 2832
12	281446	2	ENDCAP, TUBING 2" X 4"
13	281471	1	ACTUATOR ATM'T WMT W/BUSHING ASS'Y
14	281671	2	BRACKET, U CHANNEL SPACER
15	281996	1	BKT, FOR HORN, SCV2832
16	281999	1	BATT CONN MOUNT, WMT
17	320996	1	STATIC GROUNDING CHAIN
18	670139	1	LUMINA 20", CHAIN MTG STRAP
19	710204	2	SCR-MC 6-32 X .50 ST PL PAN HD
20	710556	1	SCR-MC FH 10-32 X .75, ZINC
21	711161	6	SCR-HI/LO 10 X 3/4 STL BLK ZINC
22	711203	6	BLT-HH 1/4-20 X 0.62 ST PL
23	711228	4	BLT-HH 5/16-18 X .75 ST PL
24	711241	1	SCR-HEX 3/8 -16X .75" ZP
25	711371	2	NUT-NYLOC 6-32 STL ZINC
26	711380	7	NUT-NYLOC 3/8-16 NUT
27	711502	2	WSR-FLT .170 x.38 x.032 STL ZINC
28	711504	2	WSR-FLAT 1/4 ID SS
29	711505	7	1/4 FLAT WASHER, STEEL
30	711515	8	WSR-FLAT .406 X .812 X .0625
31	711524	1	WSR-WAVE .52 X .87 X .01
32	711527	2	WSR-FLAT .63 X 1.12 X .09
33	711544	6	WSR-HELICAL 1/4
34	711545	4	WSR-HELICAL 5/16
35	711565	1	WSR-EXTERNAL LOCK 5/16
36	711575	15	WSR-FLT .31x.75x.06ST
37	711671	1	CLEVIS PIN .31X2.13 11-10
38	711675	2	CLEVIS PIN 1/4 X 1-7/8
39	711749	2	RETAINING RING - EXTERNAL "E" TYPE, FOR .62 SHAFT
40	711808	1	COTTER PIN-HAIR #13
41	712667	3	NUT, HEX 1/4-20 NYLOC SS
42	712816	2	SCR-MC 10-24 X .37 STPL
43	713043	2	BLT-HH 3/8-16 X 1 1/4 #5
44	713051	1	BLT-HH 3/8-16 X 3.75 #5
45	748200	1	HORN /BACK UP ALARM, SCV 24/26
46	748360	1	DRIVE MOTOR CABLE ASSEMBLY - E RIDE 2832
47	762371	2	BUSHING .260X.50X.37
48	840118	1	BUSHING - .375 ID X .625 OD X .75 L, STEEL
49	3400125	2	PIN-COTTER 3/8 RUE RING
50	711254-1	3	BLT-CARR 3/8-16 X 2.5 #5
51	740819-2	1	ACTUATOR ASY, 50mm 4000N 24/36VDC - SEE NOTES
52	748009-1	1	ACTUATOR, W/WEATHER PACK SCV SQUEEGEE



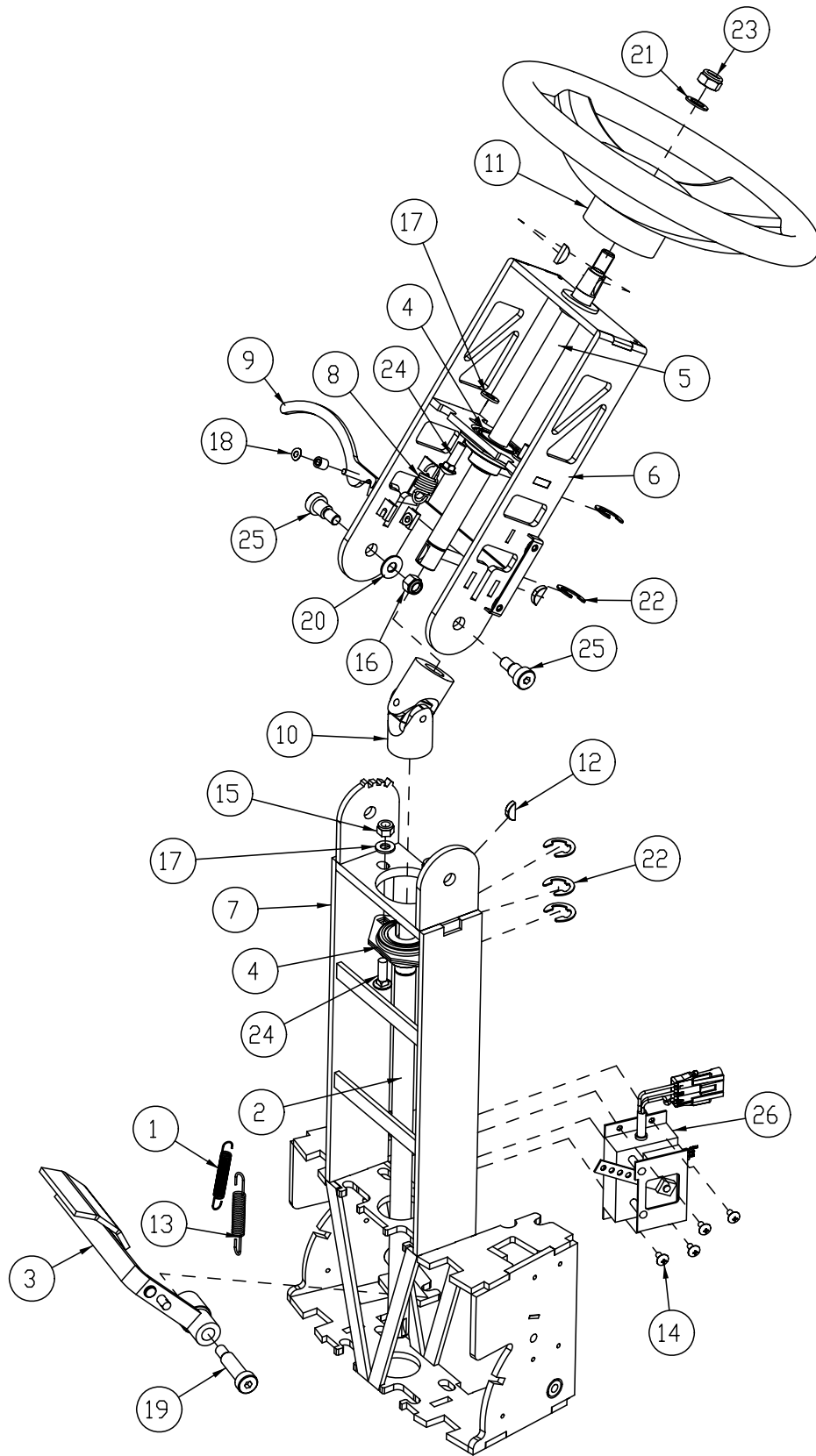
BILL OF MATERIAL - DECK LIFT			
ITEM	PART NO.	REQ'D	DESCRIPTION
1	82-54-A	1	CLAMP, MS21333-114
2	241468	1	LEFT LIFT WELDMENT W/BUSHING
3	241470	1	RIGHT LIFT WELDMENT W/BUSHING
4	281161	1	ACTUATOR CRANK ASSEMBLY
5	281171	2	ACTUATOR LIFT LINK ASSEMBLY
6	281174	1	LINK ATTACHMENT SHAFT
7	281175	1	LOWER LINK ASSY, LEFT
8	281176	1	LOWER LINK ASSY, RIGHT
9	281211	2	SNUBBING WSR
10	281300	1	MAIN FRAME
11	281458	2	LINK ATTACHMENT SHAFT
12	281459	1	CRANK PIVOT SHAFT
13	281471	1	ACTUATOR AT M'T WMT W/ BUSHING ASSY
14	281477	1	UPPER LINK ASSY, LEFT
15	281478	1	UPPER LINK ASSY, RIGHT
16	711228	4	BLT-HH 5/16-18 X .75 ST PL
17	711515	3	WSR-FLAT .406 X .812 X .0625
18	711524	9	WSR-WAVE .52 X .87 X .01
19	711545	4	WSR-HELICAL 5/16
20	711575	4	WSR-FLT .31x.75x.06ST
21	711583	4	WSR-WAVE .78 X 1.00 X .02
22	711588	7	WASHER - FLAT , .76 ID X 1.00 OD X .020
23	711678	1	CLEVIS PIN 3/8 X 2-1/4
24	711713	10	RETAINING RING - "E" TYPE EXT .500
25	711808	1	COTTER PIN-HAIR #13
26	712124	1	CLEVIS PIN, 3/8 X 1-3/4
27	712310	10	WSR- FLAT .52 X .87 X .06 PL
28	712767	1	FLAT WASHER .406 ID X .75 OD X .
29	740819-2	1	ACTUATOR ASSY, 50mm 4000N 24/36VDC
30	809148	6	RETAINING RING - "E" TYPE EXT .75
31	833374	1	PIN, HAIRPIN COTTER 3/8



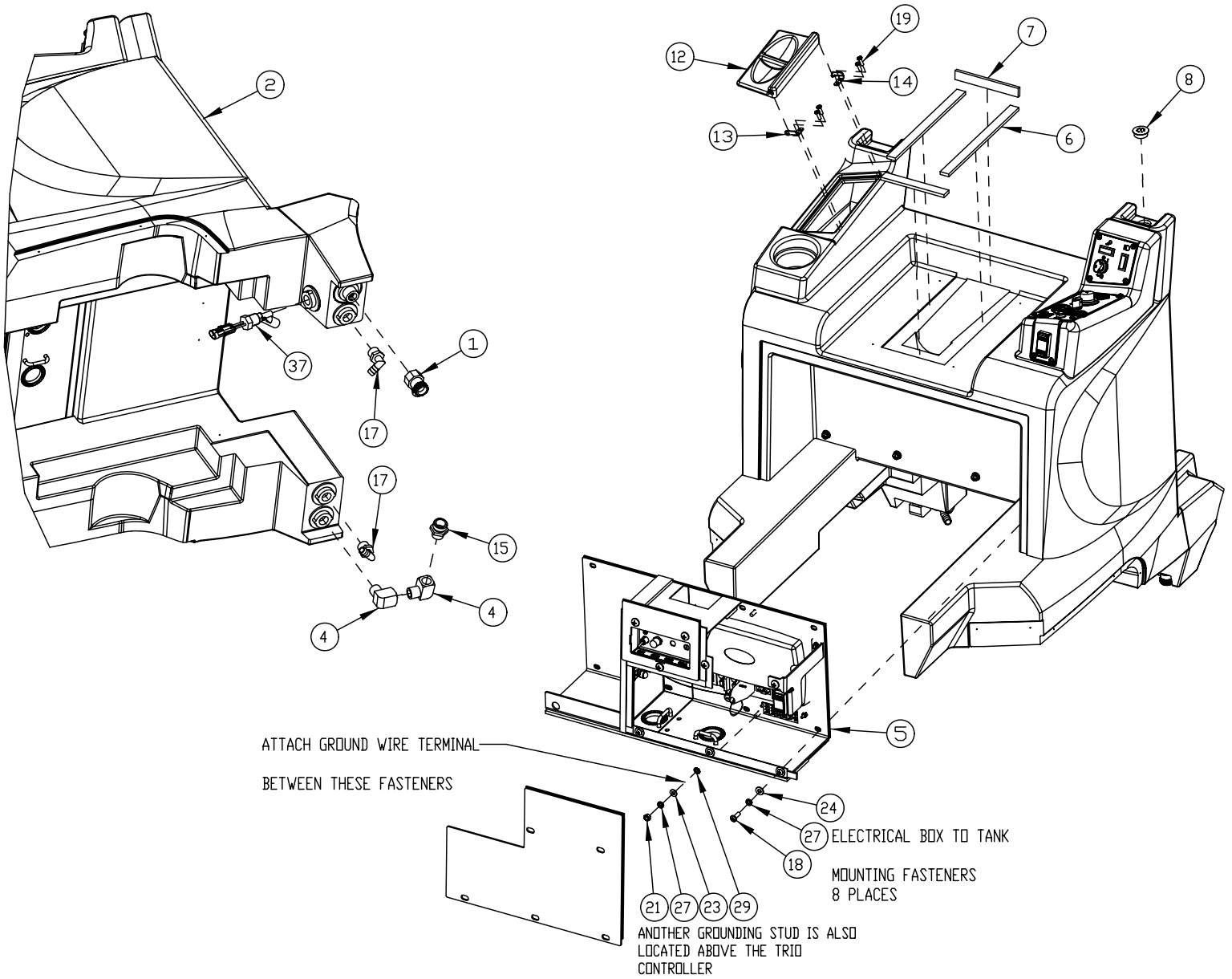
BILL OF MATERIAL - 748360			
ITEM	PART NO.	REQ'D	DESCRIPTION
1	950-4-S	4	BACKUP PLATE - RIVET
2	281188	1	FRONT BRACKET - CABLE GUIDE
3	281192	1	BRACKET - DRIVE MOTOR
4	281237	1	COVER PLATE
5	710154	2	SCR-MC TR HD 10-32 X .625 SS
6	711350	2	NUT-NYLOC 10-32
7	712764	6	WSR #10 SS
8	748020	1	CONNECTOR, PACKARD 2 COND MALE
9	748219-2	1	CABLE GUIDE, MOUNT BRACKET - BORE
10	748219-3	1	CABLE GUIDE, MOUNT BRACKET - PIN
11	748344	1	WIRE ASSY, DRIVE MOTOR
12	827666	4	RIVET-POP



BILL OF MATERIAL - 281189			
ITEM	PART NO.	REQ'D	DESCRIPTION
1	281054	1	CHAIN, STEERING No. 40, 27.5"
2	281190	1	SPINDLE WELDMENT
3	281254	1	STEERING DISC WMT
4	281257	1	FRONT DRIVE W/ BEARING ASSY
5	281268	1	SPROCKET -RC #40, 10 TEETH, 3/4" BORE
6	281285	1	IDLER ASSY, FRONT DRIVE
7	281400	1	DRIVE MOTOR - AMER
8	383077	1	BEARING CONE (LM104949)
9	383250	1	GREASE CAP
10	383277	1	KEYWOODRUFF 3/16 X 3/4
11	383364	1	THRUST WASHER
12	711515	3	WSR-FLAT .406 X .812 X .0625
13	711546	3	WSR-HELICAL 3/8
14	711588	1	WASHER - FLAT , .76 ID X 1.00 OD X .020
15	711807	1	COTTER PIN .12 X 1.75
16	712113	1	CASTLE NUT
17	712330	4	METRIC HEX CAP SCREWM10x1.5x30
18	712767	4	FLAT WASHER .406 ID X .75 OD X .
19	713043	3	BLT -HH 3/8-16 X 1 1/4 #5
20	809148	1	RETAINING RING - "E" TYPE EXT .75
21	809247	3	STEERING PLATE SPACER
22	833629	2	MASTER LINK ASSY

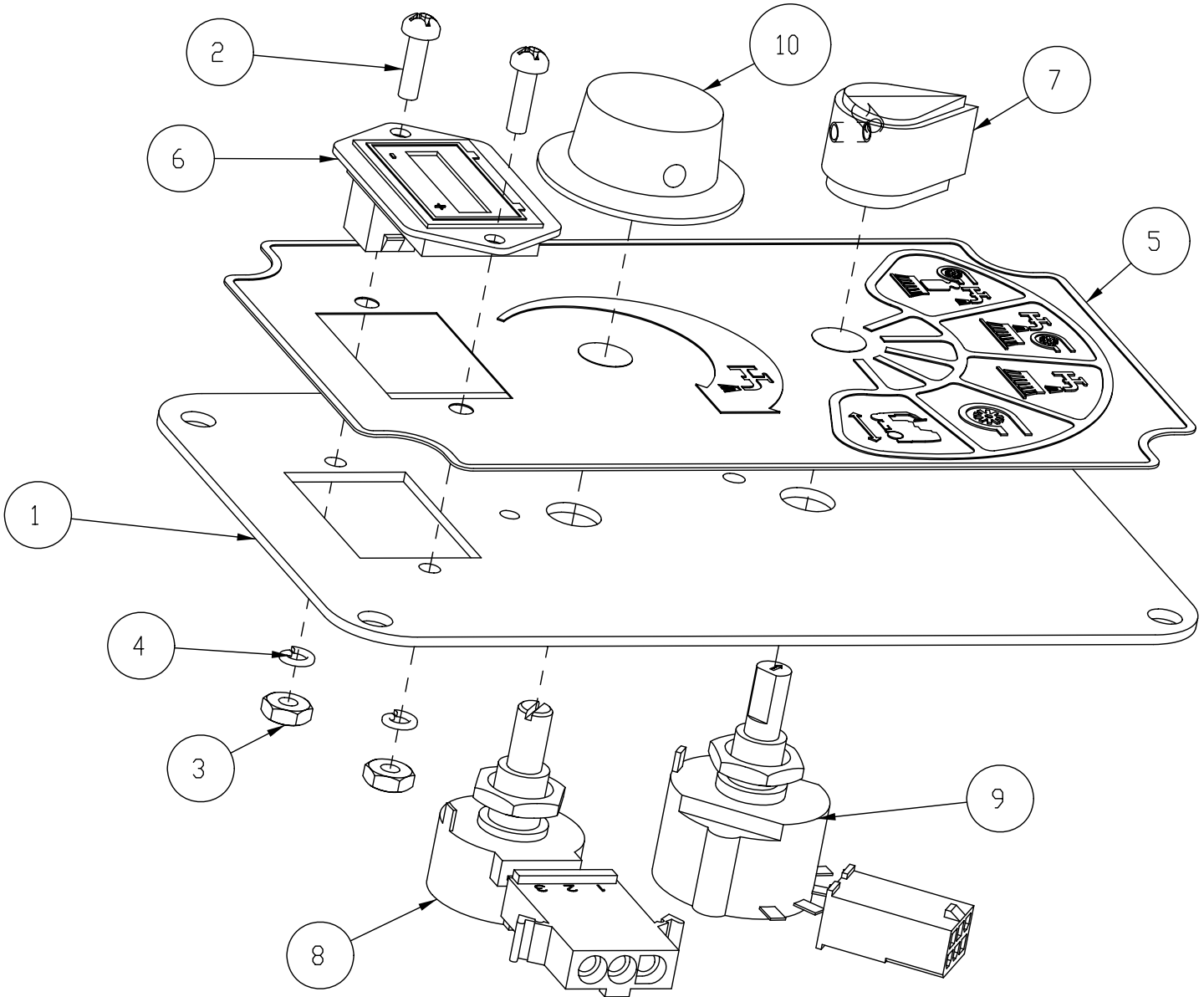


BILL OF MATERIAL - 282301			
ITEM	PART NO.	REQ'D	DESCRIPTION
1	281047	1	SPRING, EXTENSION - 2.75"
2	281328	1	SHAFT, LOWER STEERING
3	281331	1	ACCEL PEDAL WMT
4	281392	2	BEARING FLANGE ASSEMBLY 3/4 (MCH)
5	281484	1	SHAFT, UPPER STEERING
6	281989	1	STEERING ASSY, TOP
7	282302	1	STEERING WELDMENT, LOWER
8	282303	1	SPRING - EXTENSION 1.375" F.L.
9	282309	1	ADJUSTMENT LEVER AND PIVOT PIN ASSY
10	383098	1	UNIVERSAL JOINT
11	383152	1	STEERING WHEEL
12	383277	3	KEY WOODRUFF 3/16 X 3/4
13	430051	1	RETURN SPRING-3.00"
14	710153	4	SCR-MC 10-32X.37
15	711374	2	NUT-NYLOC 5/16-18
16	711380	2	NUT-NYLOC 3/8-16 NUT
17	711506	4	WSR-FLT .344 X .690 X .062, STEEL
18	711521	2	WSR-WAVE .21 X .44 X .02
19	712102	1	BLT - SHLDR 1/2 X 1-1/2
20	712301	2	WSR-FLAT .37 X .87 X .06
21	712310	1	WSR- FLAT .52 X .87 X .06 PL
22	809148	5	RETAINING RING - "E" TYPE EXT .75
23	363-816	1	NUT NYLOC 1/2-20
24	70-516-16	4	BLT-CAR 5/16-18 X 1.00 ZP
25	712099PLT	2	BLT - SHLDR 1/2 X 1/2 ZINC PLT
26	748013-2	1	POTENTIOMETER BOX ASSEMBLY

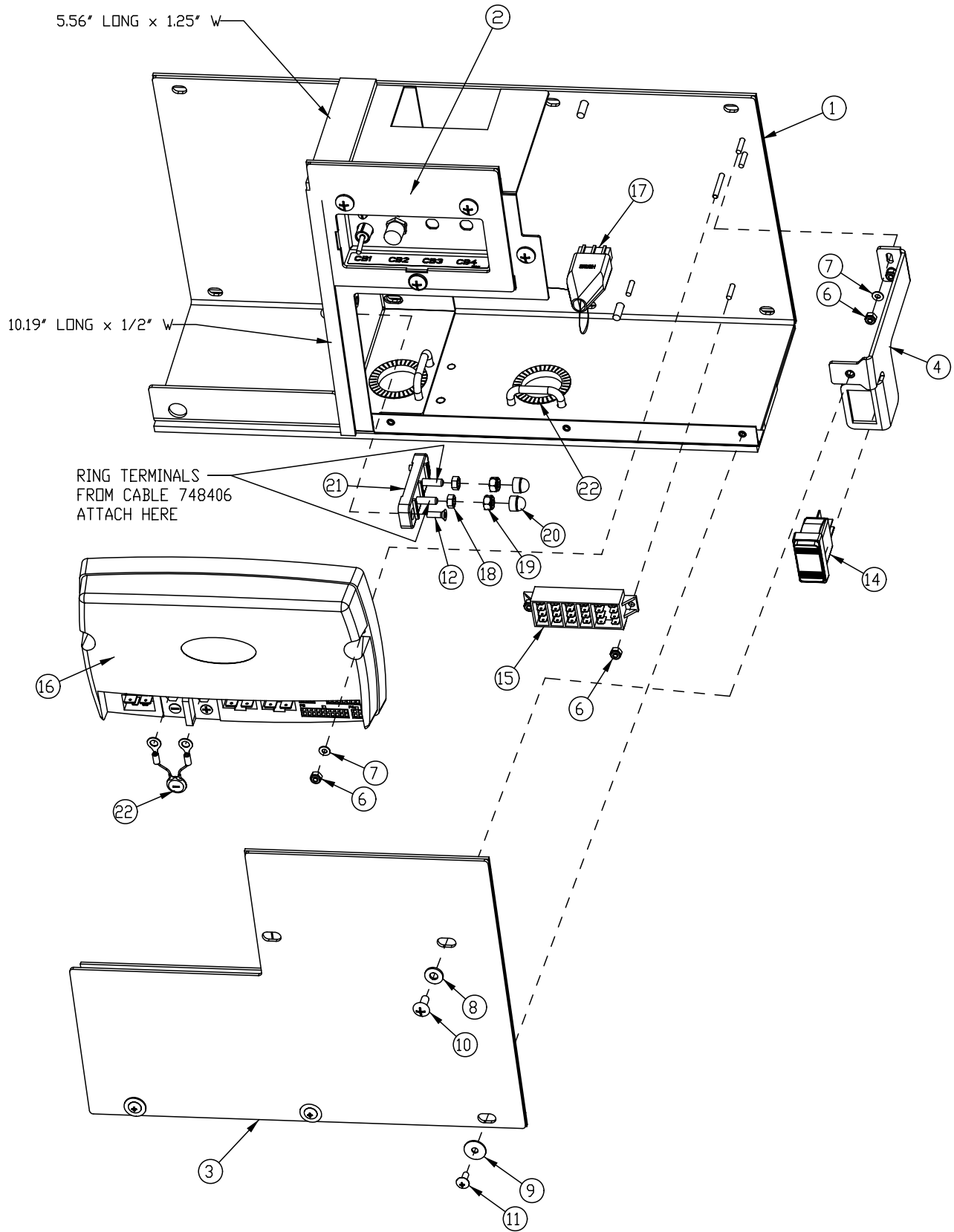


Solution Tank, Seat, & Console Assembly BOM

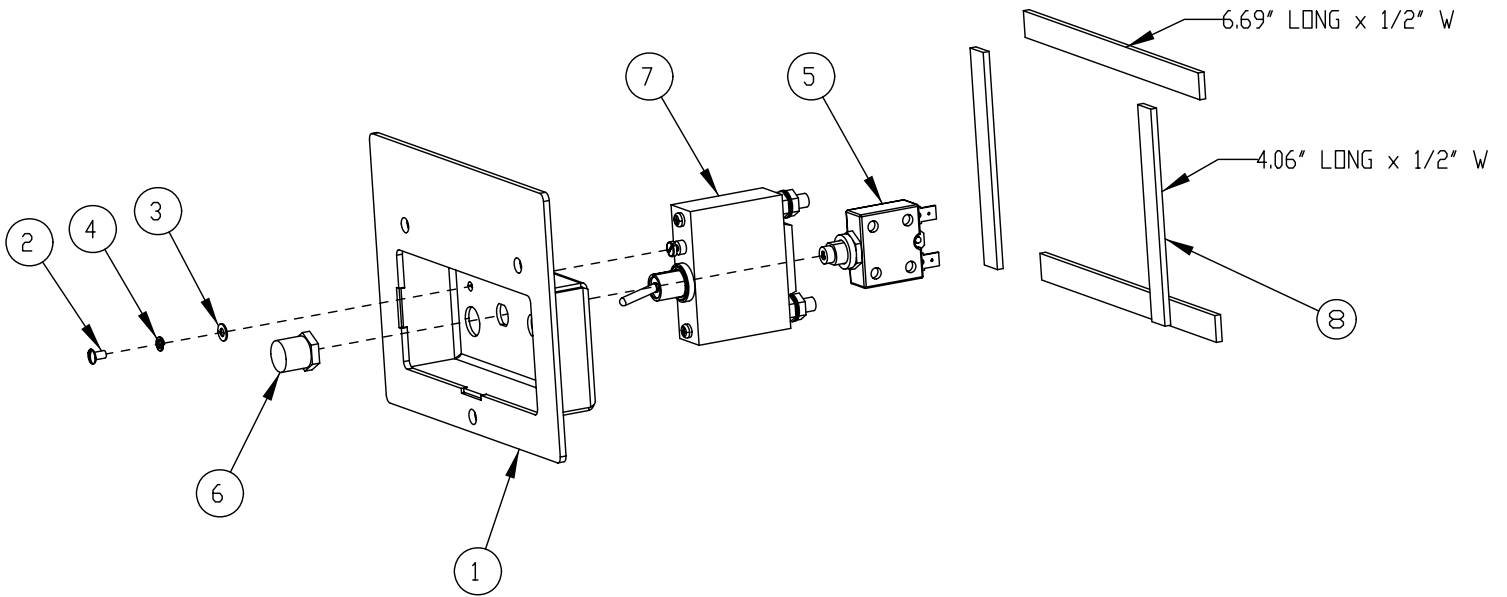
BILL OF MATERIAL - 281012m			
ITEM	PART NO.	REQ'D	DESCRIPTION
1	241570	1	SHUT OFF VALVE, W/ ZERO PRESSURE WASHER
2	281002	1	SOLUTION TANK - 2800
3	281005	1	SCV 28/32 CONSOLE
4	281093	2	FITTING STREET 90 1/2 x 1/2 BRS
5	281220	1	ELECTRICAL BOX ASSY. - E RIDE 2832
6	281363	2	SEAT GASKET - LONG
7	281364	2	SEAT GASKET - SHORT
8	281371	1	VENT PLUG
9	281372	1	GASKET - IGNITION SWITCH PANEL
10	281373	1	GASKET - MEMBRANE SWITCH
11	281375	1	GASKET - DIRECTION SWITCH
12	281380	1	SOLUTION TANK PLASTIC COVER
13	281381	1	SOLN TANK HINGE SUB-ASSY - RIGHT
14	281382	1	SOLN TANK HINGE SUB-ASSY -LEFT
15	281426	1	COUPLING 3/4" HOSE X 1/2" MPT
16	281498	1	CONTROLS ASSY, SCV2832
17	383449	2	ELBOW 1/2 MPT X 1/2 BARB
18	710380	11	SCR-MC RD HD 1/4-20 X .75 STL PL
19	711161	16	SCR-HI/LO 10 X 3/4 STL BLK ZINC
20	711304	3	NUT-HEX 8-32 ST PL
21	711316	2	NUT-HEX 1/4-20 ST PL
22	711502	3	WSR-FLT .170 x.38 x.032 STL ZINC
23	711504	2	WSR-FLAT 1/4 ID SS
24	711505	8	1/4 FLAT WASHER, STEEL
25	711519	3	WSR- FLAT .25 X 1.01 X .06
26	711542	3	WSR-HELICAL #8
27	711544	13	WSR-HELICAL 1/4
28	711552	3	WSR - INTERNAL LOCK #8
29	711564	2	WSR-EXTERNAL LOCK 1/4
30	712320	4	WSR-NYLON .22 X .45 X .04
31	742927	1	SWITCH, KEY 2 POLE
32	748047	1	HORN SWITCH, SCV 36V
33	748087	1	CABLE ASSY, BATTERY CONNECT (NOT SHOWN)
34	748088	1	18 GA. RED 6.00" (NOT SHOWN)
35	748090	1	1 GA. RED 20.00" (NOT SHOWN)
36	748126	1	GROUND STRAP (NOT SHOWN)
37	748151	1	SWITCH, ON-ON, DPDT
38	748154	2	SWITCH, BLANK, 742716
39	281378SP	1	IGNITION SWITCH PANEL
40	281497SP	1	DIRECTION CONTROL PANEL
41	742708-4	1	FLOAT SWITCH W/WEATHER PACK
42	748138E	1	WIRE HARNESS ASSY, SCVFRONT (NOT SHOWN)



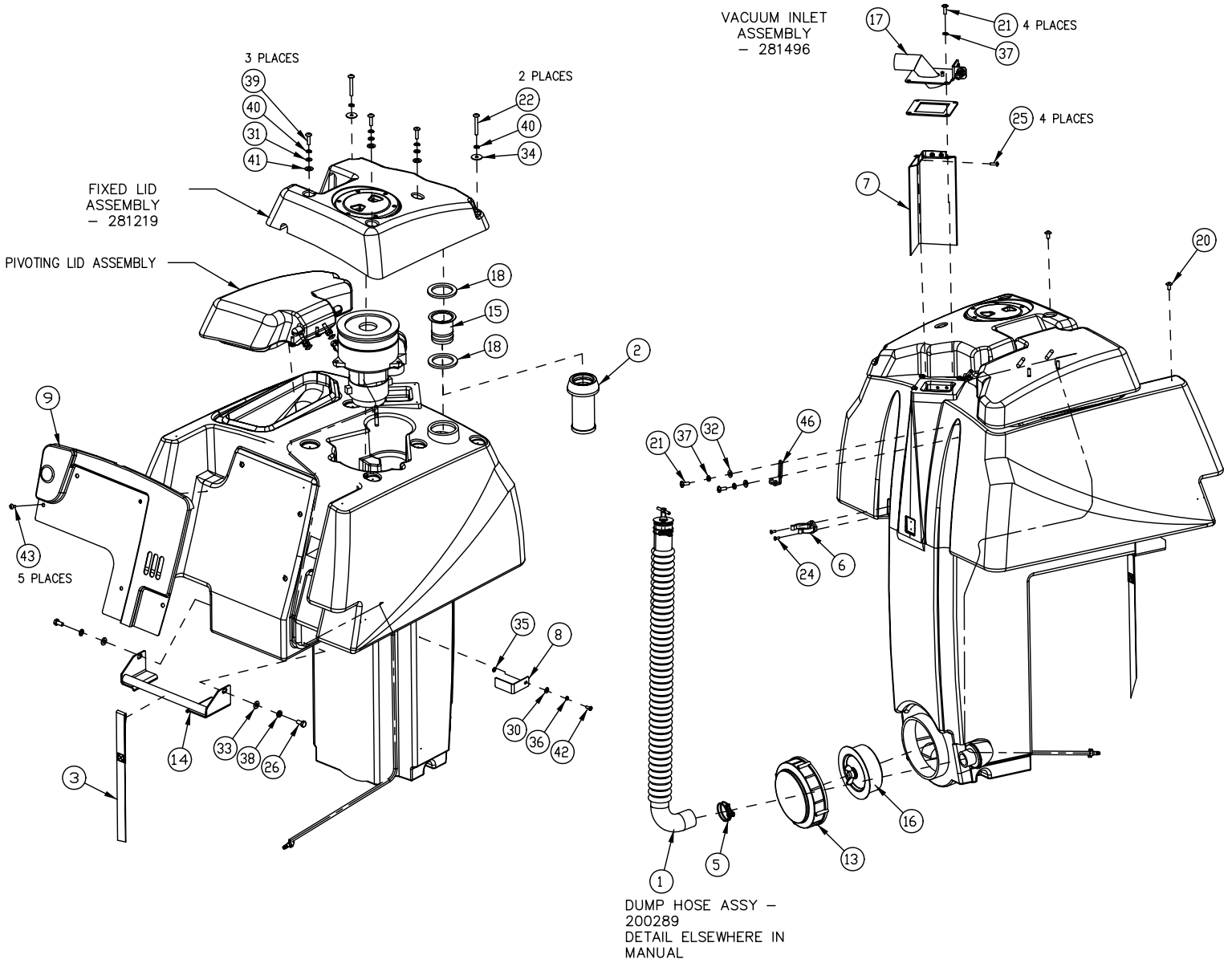
BILL OF MATERIAL - 281498			
ITEM	PART NO.	REQ'D	DESCRIPTION
1	281499	1	BKT, CONTROLS
2	710204	2	SCR-MC 6-32 X .50 ST PL PAN HD
3	711301	2	NUT-HEX 6-32 ST PL
4	711541	2	WSR-HELICAL #6 ST PL
5	715455	1	DECAL, CONTROLS
6	747011	1	BATTERY GAUGE, TRU CHARGE
7	747020	1	KNOB-MODE SELECTOR
8	747025	1	POTENTIOMETER ASSY WATER FLOW
9	747027	1	SWITCH ASSY, MODE SELECTOR
10	809874	1	KNOB, SPEED CONTROL

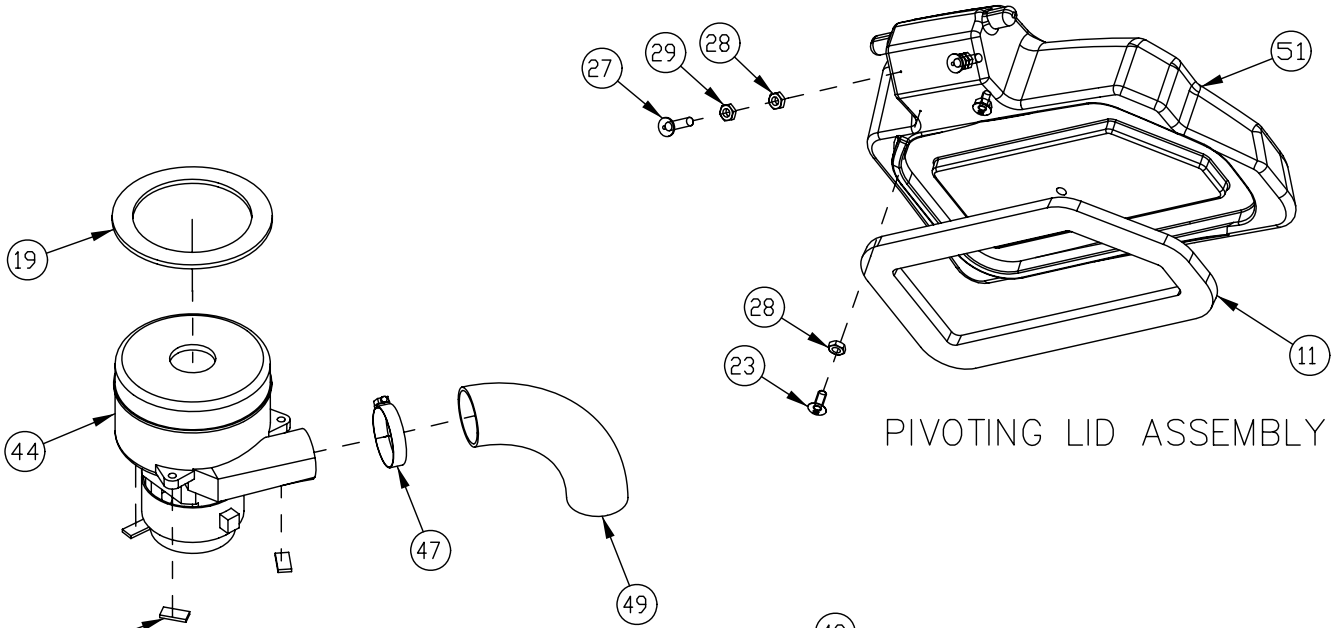


BILL OF MATERIAL - 281220			
ITEM	PART NO.	REQ'D	DESCRIPTION
1	281229	1	ELECTRICAL BOX WELDMENT
2	281240	1	CIRCUIT BREAKER ASSY
3	281412	1	ELECTRICAL COVER PANEL
4	281982	1	ELECTRICAL CVR PNL SUPPORT BRKT
5	711351	2	NUT-ACORN 10-32 ST N1
6	711372	6	NUT-NYLOC 8-32 STL ZINC
7	711502	4	WSR-FLT .170 x.38 x.032 STL ZINC
8	711505	5	1/4 FLAT WASHER, STEEL
9	711748	3	WSR - FLAT , #10 X .75 O.D. , SS
10	712565	5	SCR-MC 1/4-20X.63 SS TR HD
11	712822	3	SCR-MC TR HD 10-24 X .50 SS
12	712826	2	SCR-FHMS 10-32 X .625
13	715641	1	DECAL-CIRCUIT BREAKERS E-BOX
14	748152	1	SWITCH, ON-OFF-ON
15	748153	1	TERMINAL BLOCK EAGLE 3
16	748400	1	CONTROLLER, TRIO+ WET (FLOODED)
17	748406	1	WIRE ASSY, BRUSH MOTOR TRIO
18	12022042	2	6KT-MUTTER_DIN_934-M6-8_A2G
19	12040044	2	NUT-NYLOC M6 STL ZINC DICH
20	15592025	2	CAP, SAFETY NUT COVER M6
21	90286238	1	TERMINAL BLOCK, 2 STUD M6
22	748269-1	1	VARISTOR ASSY, 39V ZA SERIES
22	281449	0.74	SERRATED GROMMET STRIP - .187"
23	806006	0.43	GASKET .25" X 1.25" X .72"
23	830557	11.09	DORTITE 1/2" RM 1F



BILL OF MATERIAL - 281240			
ITEM	PART NO.	REQ'D	DESCRIPTION
1	281233	1	CIRCUIT BREAKER PLATE WELDMENT
2	710202	1	SCR-MC 6-32 X .25 ST PL PAN HD
3	711501	1	WSR-FLAT # 6
4	711541	1	WSR-HELICAL #6 ST PL
5	742350	1	CIRCUIT BREAKER-6 AMP PUSH BUT
6	742748	1	CIRCUIT BREAKER BOOT
7	748012	1	CIRCUIT BREAKER 100A
8	830557	1.67	DORTITE 1/2" RM 1F

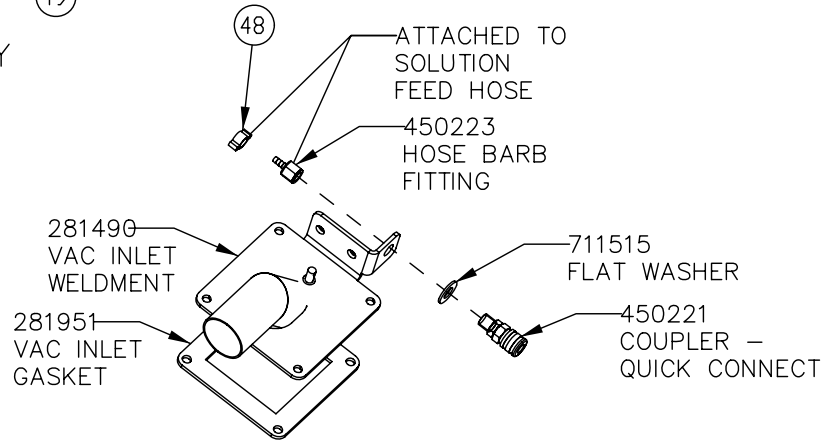




VACUUM MOTOR ASSY

PIVOTING LID ASSEMBLY

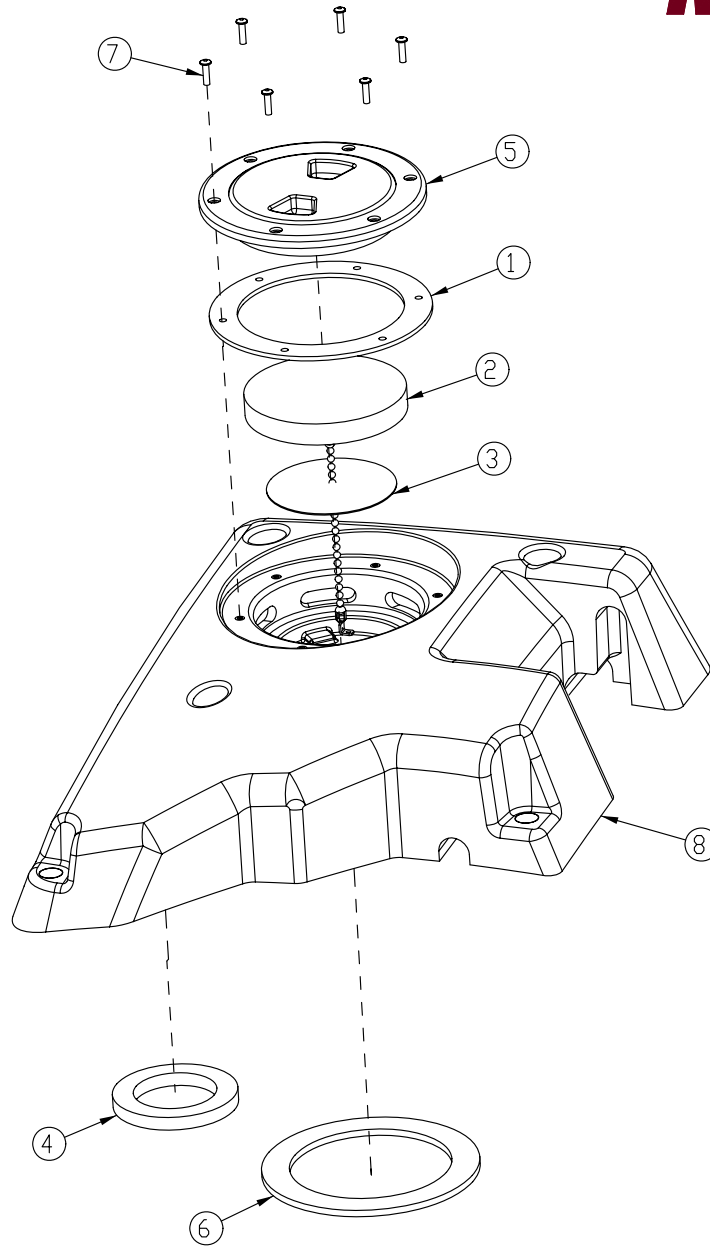
ISOLATOR PAD
3 PLACES -
ATTACHED
TO RECOVERY TANK



VACUUM INLET
ASSEMBLY
- 281496

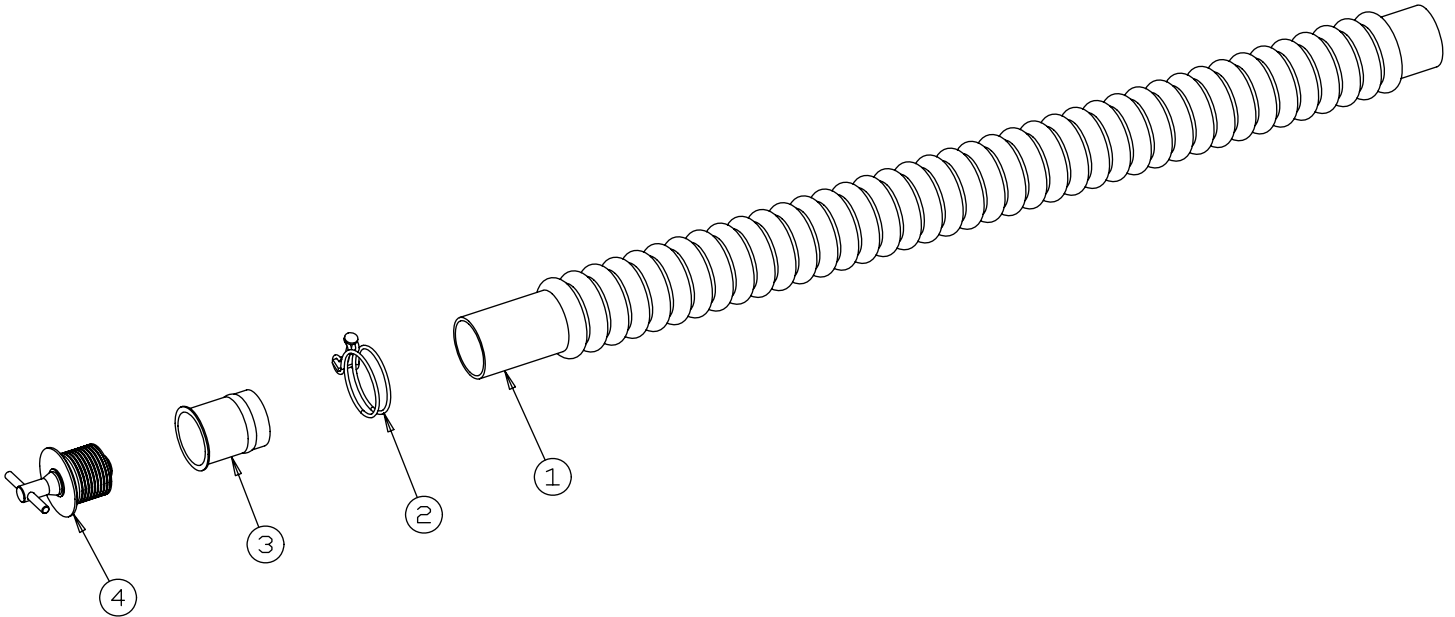
Recovery Tank Assembly I & II BOM

BILL OF MATERIAL - 281010m			
ITEM	PART NO.	REQ'D	DESCRIPTION
1	200289	1	DUMP HOSE ASM
2	241060	1	SCREENED FLOAT
3	241433	1	RECOVERY TANK SAFETY STRAP,
4	241748	3	ISOLATOR PAD - 1" LENGTH, USE 830557
5	260203	1	WIRE GRIP HOSE CLAMP
6	260579	1	TOOL CLIP, 1.5" HOSE
7	281019	1	DEFLECTOR
8	281076	3	2800 REC TANK BRACKET
9	281099	1	WIRE COVER
10	281219	1	FIXED LID ASSY, E RIDE 2832
11	281358	1	GASKET, MOVABLE LID - SCV
12	281391	1	SOL. FEED HOSE, OFF AISLE SUB-ASY
13	281432	1	CAP 6", CLEAN OUT SCV
14	281437	1	STRAP HOLDER WMT
15	281439	1	SHUT OFF FLANGE TUBE
16	281444-1	1	STOPPER PLUG ASSY
17	281496	1	VAC INLET ASSY, SCV2832
18	281950	2	FLOAT CAGE GASKET
19	380035	1	MOTOR GASKET
20	710178	2	SCR-MC 1/4-20 X .50 TRUSS STPL
21	710180	6	SCR-MC TR HD 1/4-20x.75 STL ZINC
22	710190	2	SCR-MC 1/4-20 X 2.00 TRUSS PL SS
23	710197	2	SCREW TRUSS HEAD 5/16-18 X .75 PH ZP
24	710530	2	SCR-MC FL HD 8-32 X .50 BRS
25	711161	4	SCR-HI/LO 10 X 3/4 STL BLK ZINC
26	711227	2	BLT-HH 5/16-18 X .62 ST PL
27	711256	2	5/16-18 X 1.5 CARRIAGE BOLT SS
28	711319	4	5/16-18 HEX NUT
29	711420	2	NUT - HEX JAM 5/16-18 ST PL
30	711503	3	WSR, FLAT #10
31	711504	3	WSR-FLAT 1/4 ID SS
32	711505	2	1/4 FLAT WASHER, STEEL
33	711506	2	WSR-FLT .344 X .690 X .062, STEEL
34	711519	2	WSR-FLAT .25 X 1.01 X .06
35	711534	3	WSR-EXTERNAL LOCK #10
36	711543	3	WSR-HELICAL #10
37	711544	6	WSR-HELICAL 1/4
38	711545	2	WSR-HELICAL 5/16
39	712541	3	SCR-MC 1/4-20 X 1.00 TH SS
40	712758	5	WSR-HELICAL 1/4 SS
41	712767	3	FLAT WASHER .406 ID X .75 OD X .
42	712811	3	SCR-MC RD HD 10-24 X .50 ST PL
43	712822	5	SCR-MC TR HD 10-24 X .50 SS
44	742771-1	1	VAC MOTOR ASY, 36VDC 3-STAGE
45	748199	1	WIRE ASSY, RECOVERY TANK-VAC
46	760286	1	HOOK, WIRE FORMED
47	760859	1	CLAMP, HOSE
48	830082	1	HOSE CLAMP 3/8
49	833191	1	HOSE RUBBER FLEX 2 X 9
50	281003E	1	RECOVERY TANK - 2800E
51	281007HG	1	LID - PIVOTING, E RIDE 2832



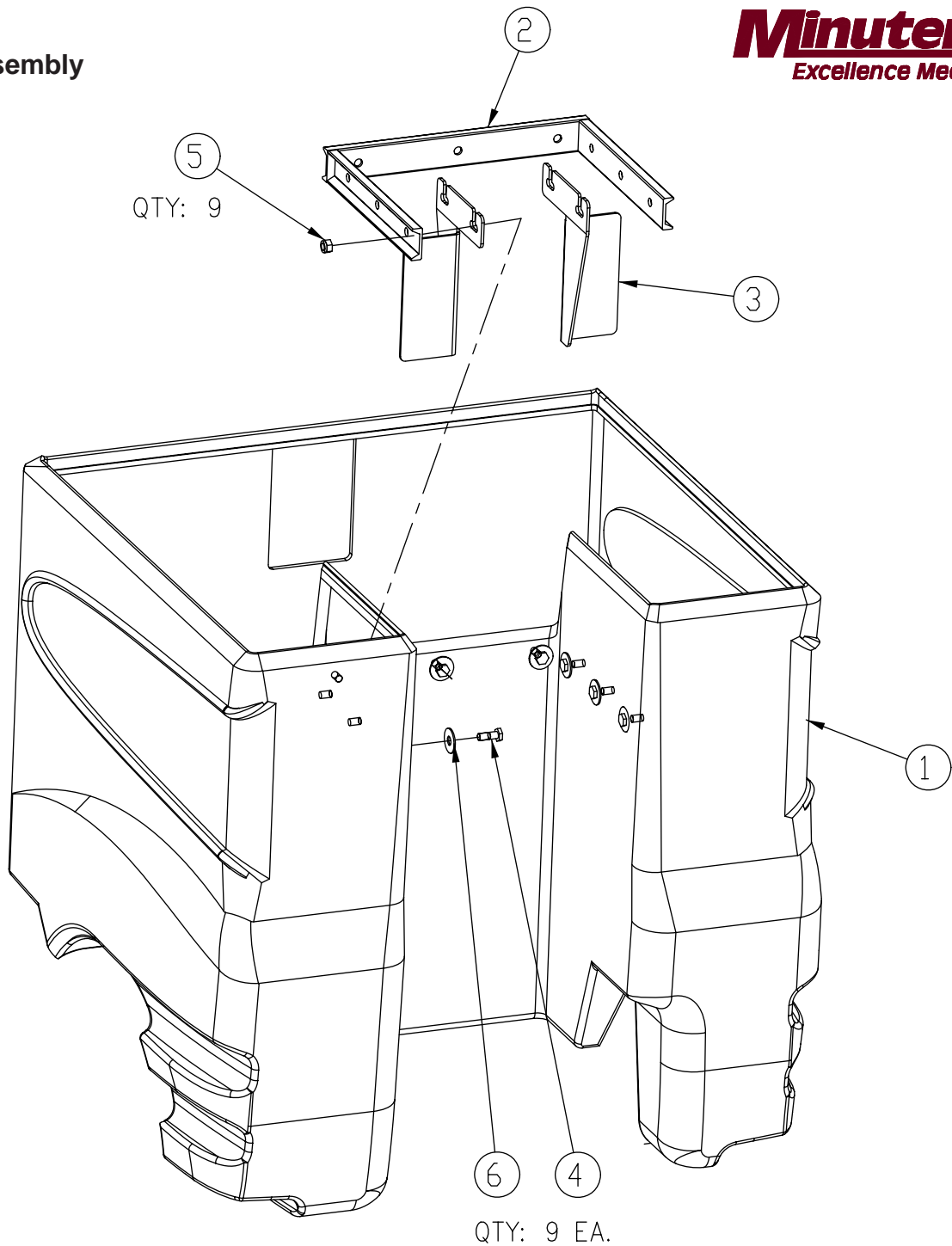
BILL OF MATERIAL - 281219

ITEM	PART NO.	REQ'D	DESCRIPTION
1	281018	1	GASKET, NEO 6.00 X 4.50 X .125
2	281055	1	VAC MOTOR FILTER
3	281056	1	VAC MOTOR INLET SCREEN
4	281073	1	INLET GASKET
5	281423	1	FILL CAP W/CHAIN ASSY 4.00
6	380035	1	MOTOR GASKET
7	712516	6	SCR-BHCS #8-32 x .62 SS
8	281006HG	1	LID - FIXED



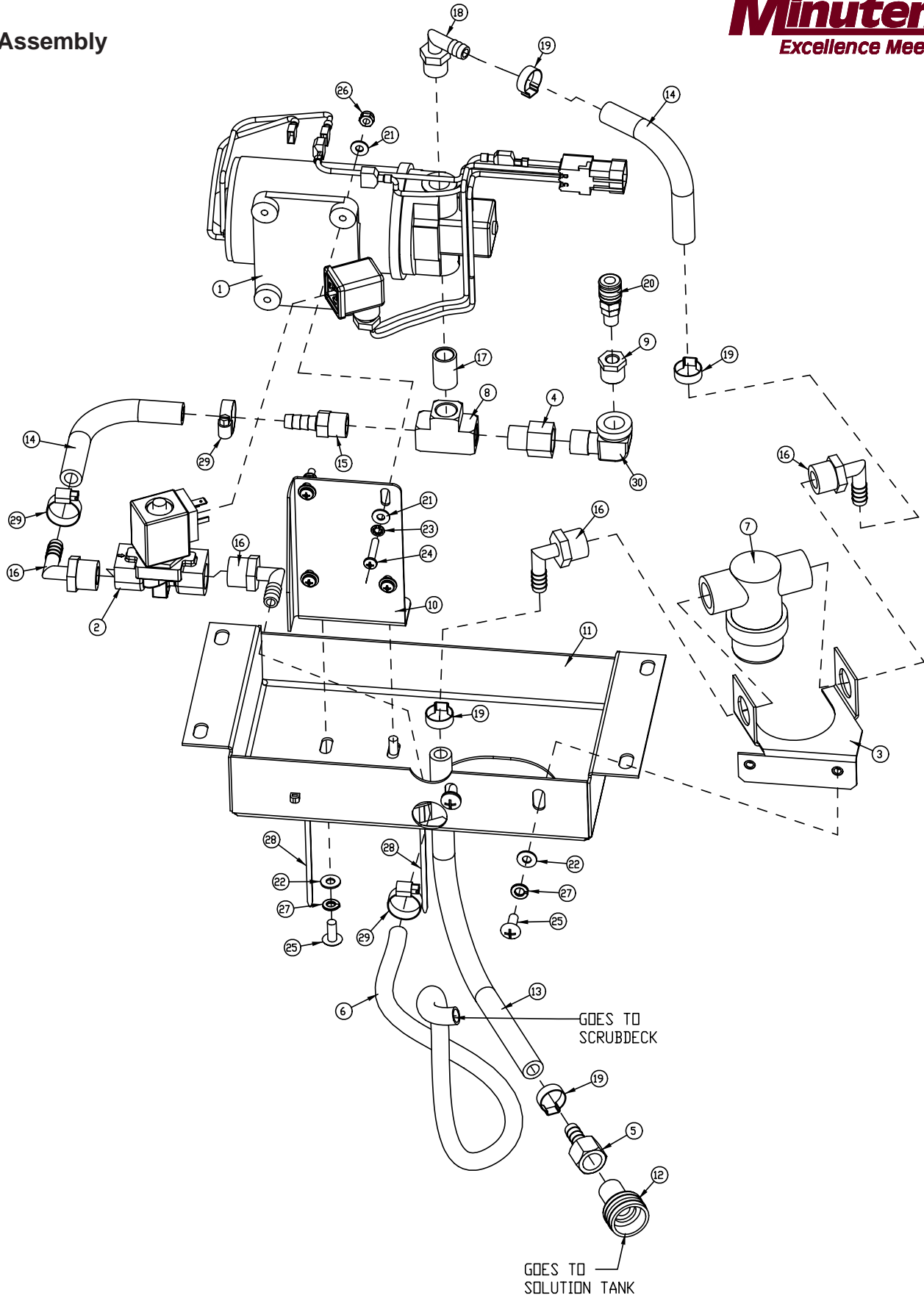
BILL OF MATERIAL - 200289			
ITEM	PART NO.	REQ'D	DESCRIPTION
1	200198	1	DUMP HOSE
2	260203	1	WIRE GRIP HOSE CLAMP
3	760343	1	TUBE, HOSE - 24/32B
4	833316	1	DRAIN PLUG

Battery Box Assembly

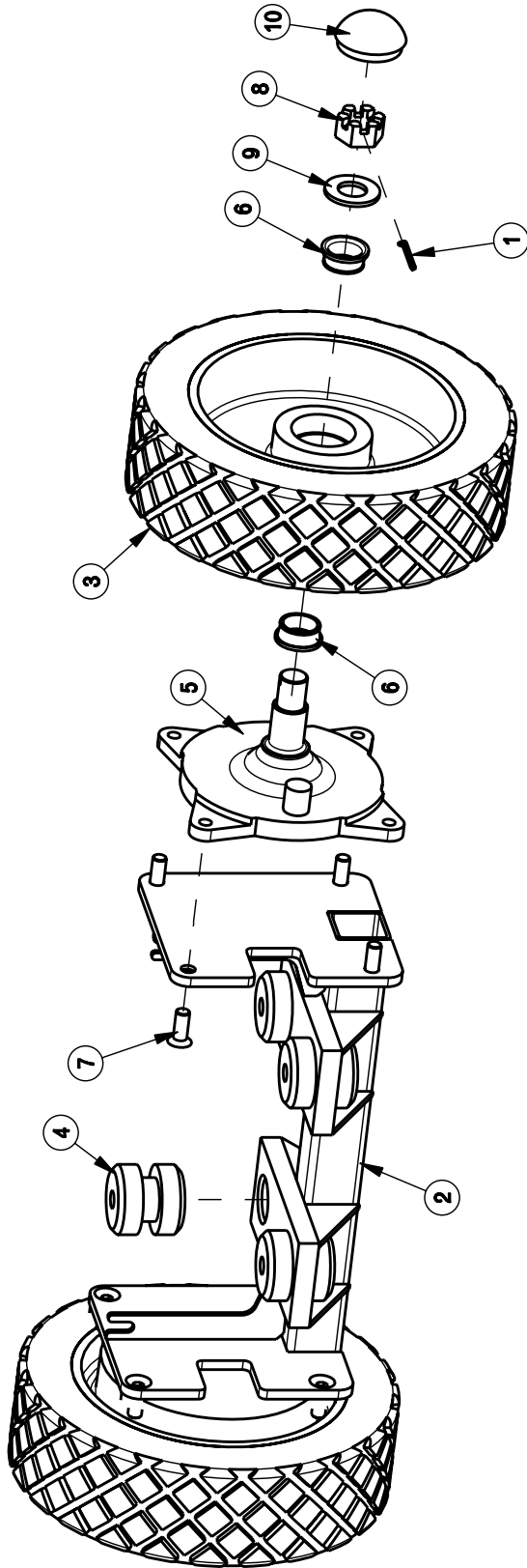


BILL OF MATERIAL - 281014			
ITEM	PART NO.	REQ'D	DESCRIPTION
1	281004	1	BATTERYTRAY - 2800
2	281059	1	BATTERYBOX STIFFENER WMT
3	281672	2	BKT, BATTERYSTOP
4	711229	9	BLT-HH 5/16-18 x .875
5	711374	9	NUT-NYLOC 5/16-18
6	711507	9	WSR-FLAT .37 X 1.12 X .06

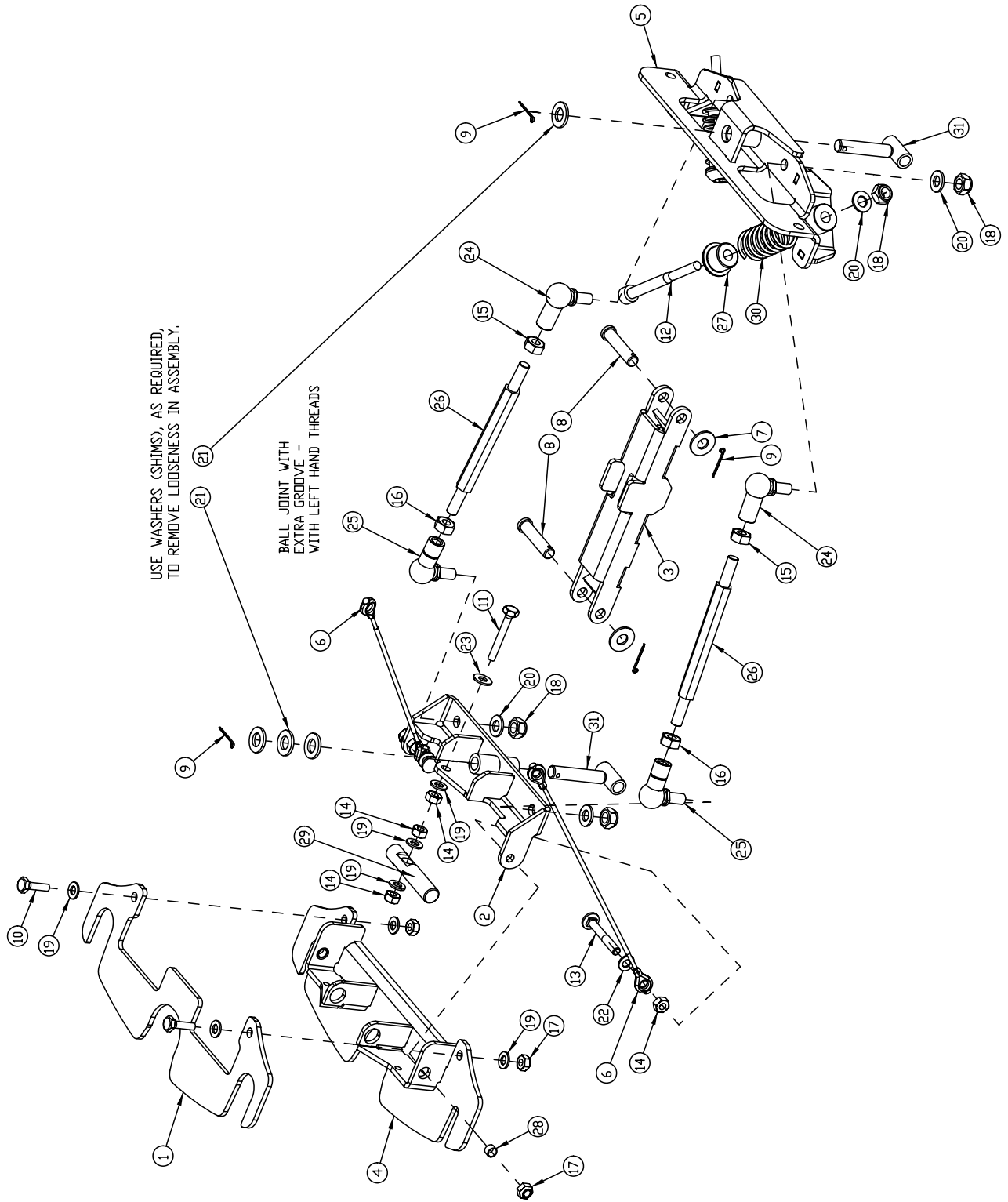
Pump Assembly



BILL OF MATERIAL - 281214			
ITEM	PART NO.	REQ'D	DESCRIPTION
1	742709-6	1	PUMP ASSEMBLY
2	748390	1	SOLENOID, 36VDC VIT ON DIN43650
3	281388	1	FILTER MT G PLATE
4	210409	1	FITTING-3/8MPT 3/8FPT BRASS
5	210410	1	FITTING BRASS 3/8" FPT X 3/8" BARB
6	241097	1	HOSE 3/8 x 31 WIRE REINF
7	281089	1	FILTER, IN-LINE
8	281090	1	FITTING BRASS 3/8" FPT TEE
9	281091	1	FITTING 3/8MPTx1/8 FPT REDUCER
10	281368	1	PUMP MOUNT PLATE
11	281369	1	PUMP SUPPORT PLATE
12	281425	1	SWIVEL CONNECTOR - 3/4" GHT X 3/8" MPT
13	320251	1	HOSE 3/8 x 12 WIRE REINFORCED
14	320254	2	HOSE-WIRE REINF 3/8 x 9"
15	342430	1	FITTING BRASS 3/8MPT X 3/8BARB
16	383327	4	ELBOW 1/2 MPT X 3/8 BARB
17	383332	1	FITTING BRASS 3/8 NIPPLE
18	450040	1	FITTING-90 3/8MPT X 3/8BARB NYLON
19	450076	4	CLAMP-CRIMP 185R SS
20	450221	1	COUPLER-QUICK CONNECT
21	711503	8	WSR, FLAT #10
22	711504	4	WSR-FLAT 1/4 ID SS
23	711553	4	WSR- INTERNAL LOCK #10
24	712531	4	SCR-MC 10-24 X 1.00 SS
25	712565	4	SCR-MC 1/4-20X.63 SS TR HD
26	712638	4	NUT , HEX 10-24 SS NYLOC
27	712758	4	WSR-HELICAL 1/4 SS
28	828062	2	CABLE TIE LARGE
29	829129	3	CLAMP-HOSE, WORM-DRIVE FOR 8-22MM HOSE DIA.
30	830062	1	FITTING-90 3/8MPT 3/8FPT BRASS
31	829552	0.04	SEAL-THREAD L567-47/LH150 (NOT SHOWN)
32	000730	0.005	TAPE-TEFLON PIPE 1/2" (NOT SHOWN)

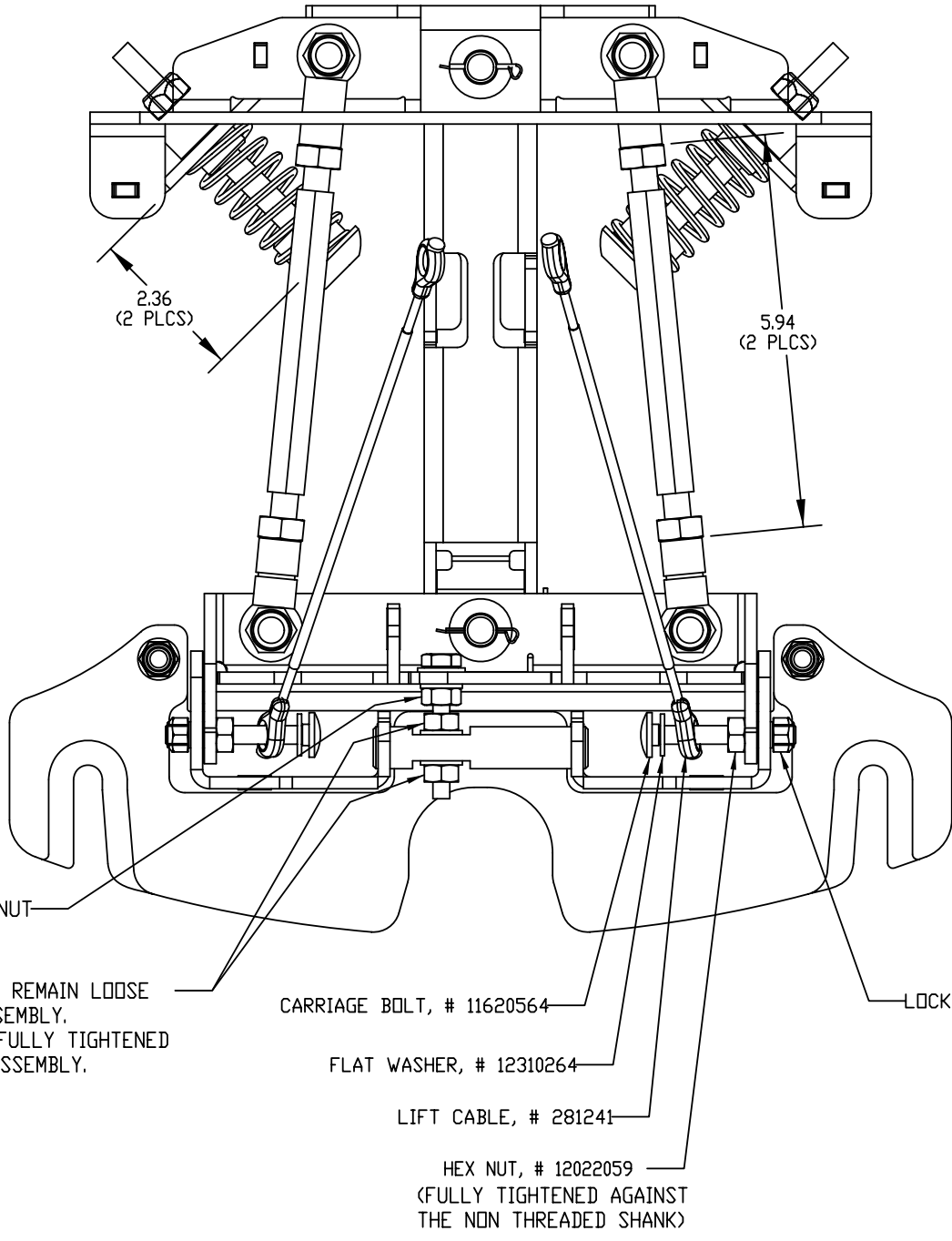


BILL OF MATERIAL - 281201E		
ITEM	PART NO.	REQ'D DESCRIPTION
1	380-632-20	2 3/16 COTTER PIN
2	281202	1 REAR AXLE WMT
3	281210	2 REAR WHEEL ASSY
4	281213	4 RING & BUSHING ISOLATOR
5	281460	2 AXLE CASTING, REAR - SCV 28/32E
6	383194	4 BEARING CONE
7	711169	8 SCR-1/2-20 X 1.25 SOCKET FH W/ PATCH
8	711450	2 NUT-SLOTTED, 1-14 UNS
9	711514	2 WSR-FT 1.0 ID X 2.0 OD
10	383241PTD	2 GREASE CAP WHEEL-PAINTED

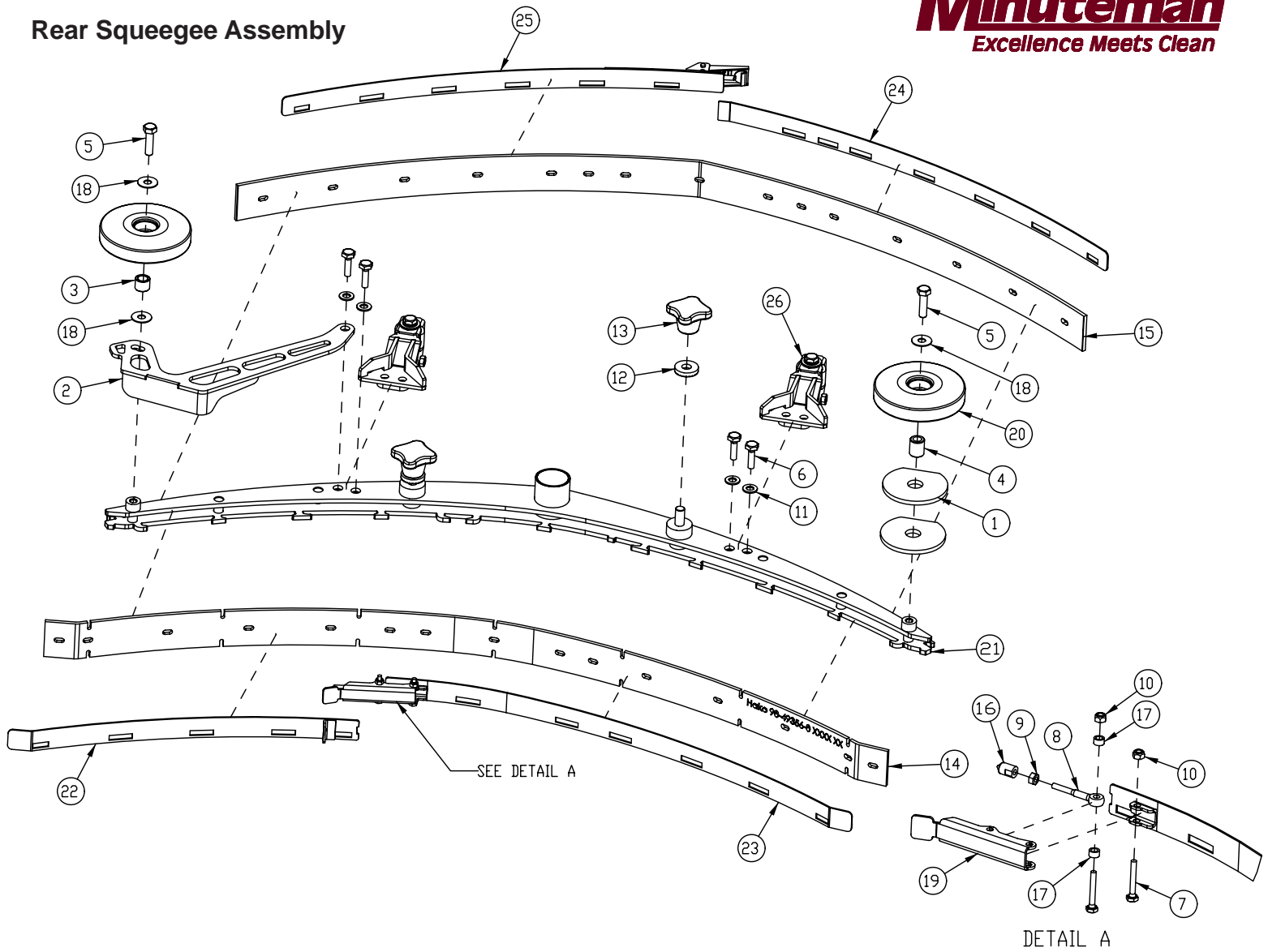


BILL OF MATERIAL - 281230			
ITEM	PART NO.	REQ'D	DESCRIPTION
1	241283	1	SQUEEGEE MOUNTING PLATE
2	241284	1	PIVOT BRACKET
3	241291	1	ARM WELDMENT
4	241294	1	SQUEEGEE MOUNTING WELDMENT
5	241757	1	MOUNTING BRACKET WELDMENT - SQUEEGEE
6	281241	2	LIFT CABLE
7	711508	2	WSR-FLAT .44X 1.0X.08
8	711727	2	CLEVIS PIN, 7/16 x 2.0"
9	809311	4	PIN-COTTER 7/64 DIA X 1
10	11038247	2	BOLT - HH, M8 X 1.25 X 25, STL, ZINC DICH
11	11038296	1	BOLT - HH, M8 X 1.25 X 50, 8.8 STL, ZINC DICH
12	11126653	2	SCR - SHCS, M10 X 110 length, 10.9 STL
13	11620564	2	CARRIAGE BOLT - M8, ZINC DICHR
14	12022059	5	NUT - HEX, M8 STL, ZINC DICH
15	12022067	2	NUT-HEX M10 X 1.5 STL ZINC DICH CL8 DIN 934
16	12022224	2	NUT-HEX M10-10 LH-8 SS A3G DIN 934
17	12040051	4	NUT-HEX M8-6 NYLON LOCK ZINC DICHR DIN 985 A2G
18	12040069	6	NUT-HEX NYLOC M10 Z DICH
19	12310041	7	WASHER - FLT , 8.4 X 16 X 1.6, STL, ZINC DICH
20	12310058	6	WASHER = FLT, M10.5 X 20 X 2.0, STL, ZINC DICH
21	12310066	4	WSR-FLT , M13X24X2.5, Z DICH
22	12310264	2	WSR-FLT M8.4X16X1.6 SS
23	12520053	1	WASHER - SERRATED
24	16046039	2	BALL JOINT RH - A2 SS DIN 71802-CS16
25	16046088	2	BALL JOINT LH - A2 SS DIN 71802 CS16
26	90414806	2	TURNBUCKLE - METRIC, STL, ZINC DICH
27	90443979	2	BUSHING - STEPPED, STEEL
28	90473158	2	BUSHING
29	90537697	1	PIVOT BAR - MACHINED
30	90538307	2	SPRING - COMPRESSION
31	96098330-2	2	T BAR WELDMENT

Squeegee Mechanism Adjustment View



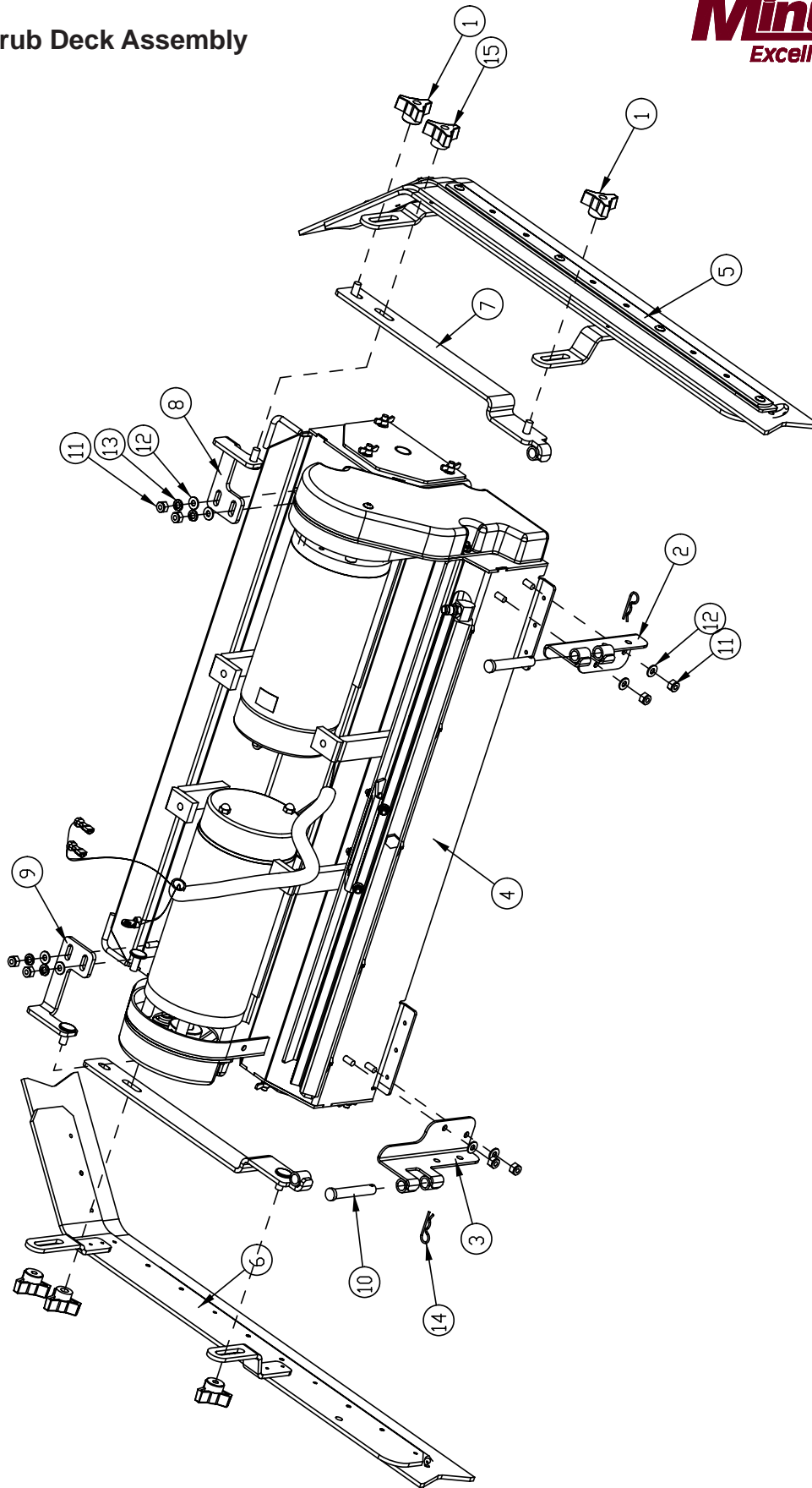
Rear Squeegee Assembly



BILL OF MATERIAL - 281250

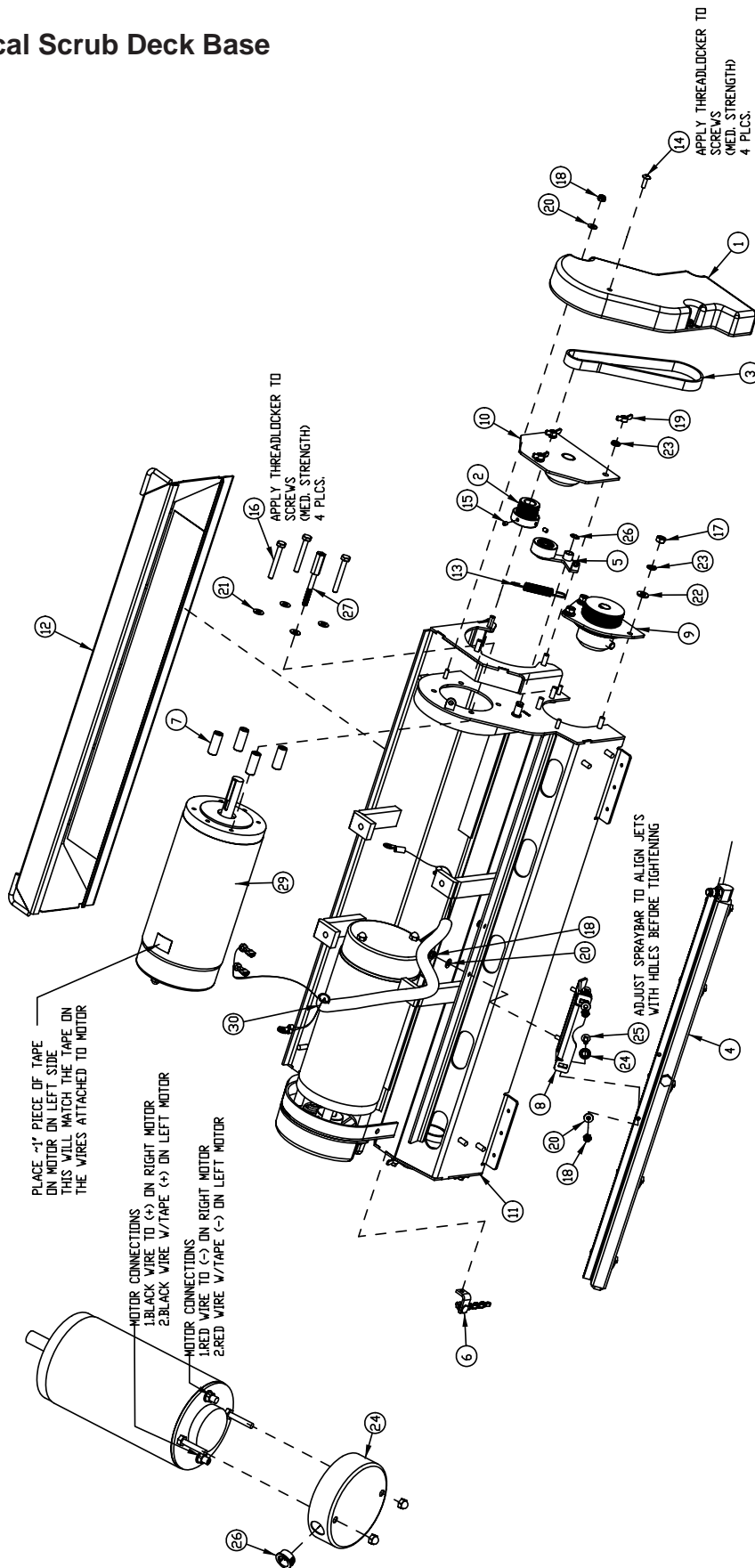
ITEM	PART NO.	REQ'D	DESCRIPTION	ITEM	PART NO.	REQ'D	DESCRIPTION
1	281211	2	SNUBBING WSR	14	90493560	1	SQUEEGEE BLADE - FRONT , 950mm
2	281242	1	DEFLECTOR ARM	15	90494139	1	SQUEEGEE BLADE - REAR, 950mm
3	430322	1	BUSHING .435 X .625 X .50	16	90513631	1	PIN, THD 90513631
4	840118	1	BUSHING - .375 ID X .625 OD X .75 L, STEEL	17	90514506	2	BUSHING 5.2 X 8 X 4.6
5	11038254	2	SCR - HH, M8 X 1.25 X 30mm, ZINC PL	18	90531112	3	WSR-FLT 8.3 X 22 X 1MM SS
6	11039567	4	BLT -HH M8 X 25 SS DIN933	19	90535758	1	LEVER, LATCH
7	11039765	2	SCREW - HH, M5 X 30	20	90548397	2	ROLLER - PLASTIC BLACK
8	11518313	1	BLT -EYE M5 X 40 SS	21	96113279	1	SQUEEGEE WELDMENT - STEEL
9	12022430	1	NUT - HEX, M5, SS DIN934	22	96125828	1	TENSION BAND - RIGHT FRONT
10	12040283	2	NUT - HEX, M5 NYLON LOCK, SS DIN985	23	96125836	1	TENSION BAND - LEFT FRONT
11	12310264	4	WSR-FLT M8.4X16X1.6 SS	24	96125844	1	TENSION BAND - LEFT REAR
12	12515094	2	WSR-CONICAL SERRATED TOOTH, M10.6	25	96125851	1	TENSION BAND - RIGHT REAR
13	17133026	2	KNOB, M10 STAR HANDLE	26	97098842	2	CASTER ASSY

28" Cylindrical Scrub Deck Assembly



BILL OF MATERIAL - 281290			
ITEM	PART NO.	REQ'D	DESCRIPTION
1	210118	4	KNOB-3 SIDED 5/16 NYLOC
2	241544	1	HINGE BRKT WLDMNT RH
3	241546	1	HINGE BRKT WLDMNT LH
4	281290-1	1	CYLINDRICAL SCRUBDECK BASIC ASSY
5	281851	1	SIDE SQUEEGEE WIPE ASSY LH
6	281857	1	SIDE SQUEEGEE WIPE ASSY RH
7	281866	2	UPPER SQUEE BRK'T WMT
8	281868	1	CYL. DECK SIDE SQUEE SUPPORT LH
9	281869	1	CYL. DECK SIDE SQUEE SUPPORT RH
10	711119	2	CLEVIS PIN 7/16 X 2-5/8
11	711373	8	NUT-NYLOC 1/4-20
12	711504	8	WSR-FLAT 1/4 ID SS
13	711544	4	WSR-HELICAL 1/4
14	711808	2	COTTER PIN-HAIR #13
15	210118Y	2	KNOB-3 SIDED 5/16 NYLOC YELLOW

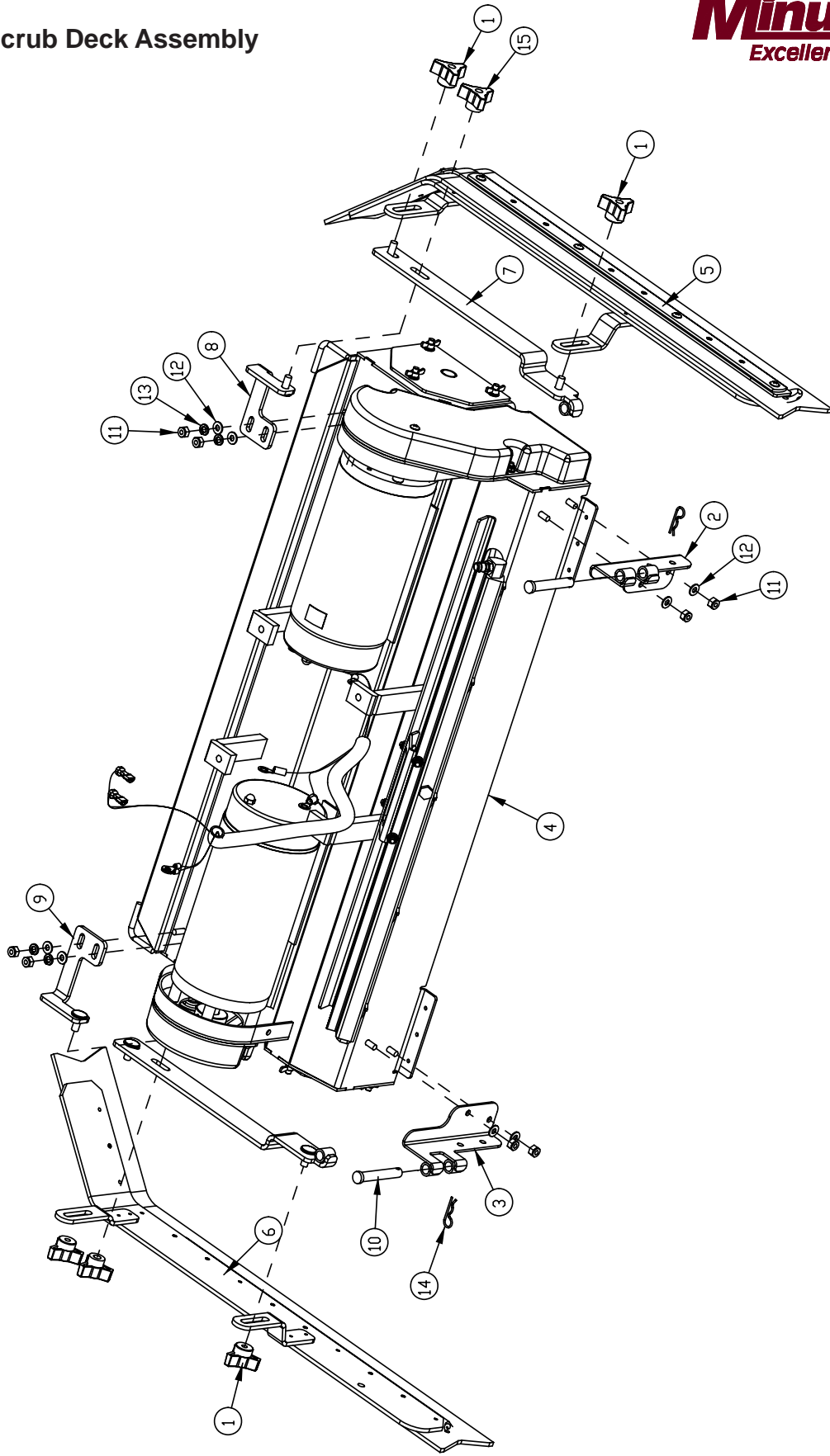
28" Cylindrical Scrub Deck Base



28" Cylindrical Scrub Deck Base BOM

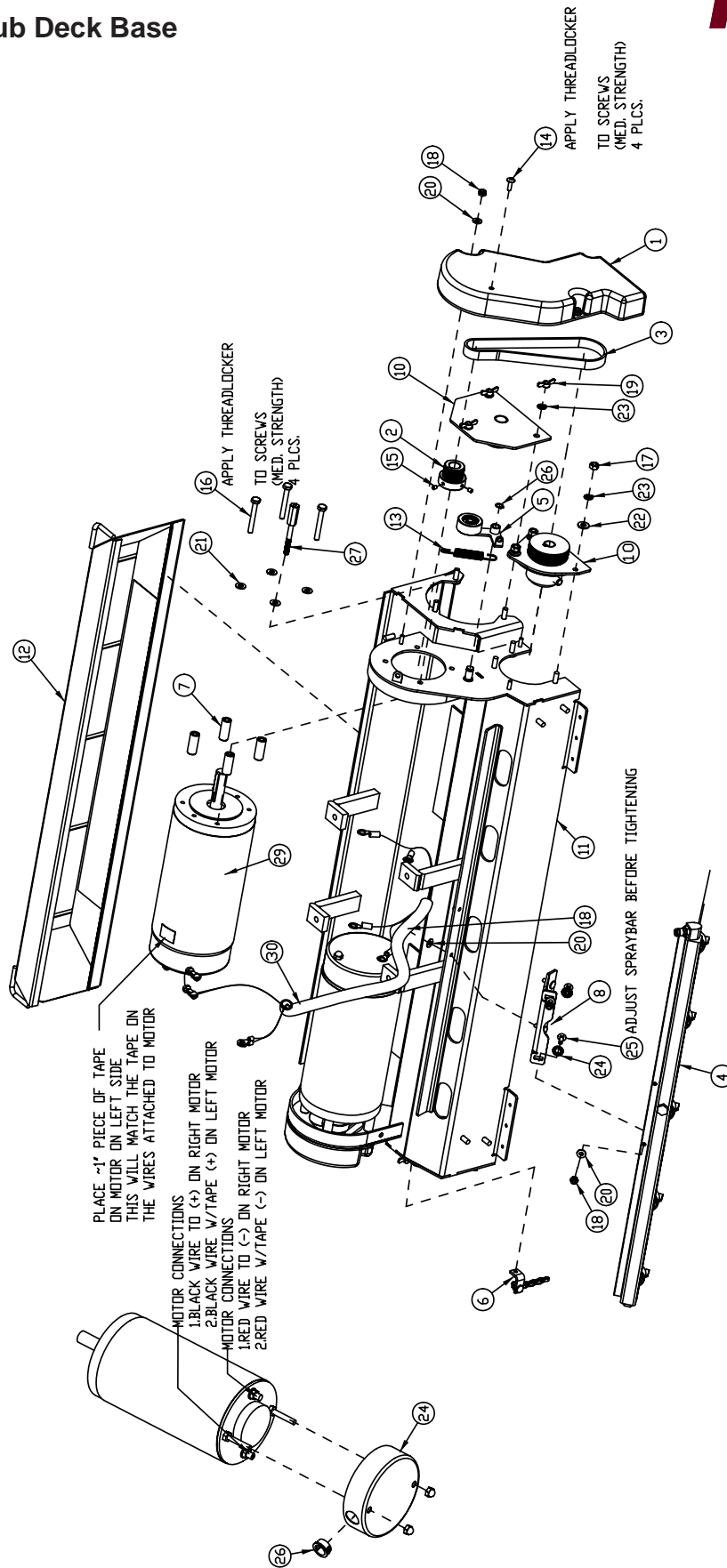
BILL OF MATERIAL - 281290-1			
ITEM	PART NO.	REQ'D	DESCRIPTION
1	281023	2	BELT COVER, CYLINDRICAL SCRUBDECK
2	281036	2	OFFSET PULLEY POLYV
3	281053	2	J BELT (POLYV) 18"
4	281177	1	SPRAY BAR ASSEMBLY - SCV2832
5	281543	2	IDLER ASSY
6	281559	1	DRAG CHAIN ASSY, CYL. SCRUBDECK
7	281598	8	MOTOR STANDOFF - CYL SCRUB DECK
8	281606	1	SPRAYHEAD MTG BRKT
9	281670	2	DRIVE HUB ASSY, CYL DECK
10	281680	2	IDLER ASSEMBLY, CYL DECK
11	281832	1	28" CYLINDRICAL SCRUBDECK WELDMENT
12	281901	1	DEBRIS BOX WELDMENT , CYL. SCRUB DECK 28"
13	430051	2	RETURN SPRING-3.00"
14	710154	2	SCR-MC TR HD 10-32 X .625 SS
15	711003	4	SCR-SK 10-32 x .25
16	711214	6	BLT-HH 1/4-20 X 2.00
17	711316	6	NUT-HEX 1/4-20 ST PL
18	711350	10	NUT-NYLOC 10-32
19	711389	6	NUT-WING 1/4-20 STL ZINC
20	711503	10	WSR, FLAT #10
21	711504	8	WSR-FLAT 1/4 ID SS
22	711505	6	1/4 FLAT WASHER, STEEL
23	711544	12	WSR-HELICAL 1/4
24	711558	2	WSR-INTERNAL LOCK 5/16 ID
25	711606	2	BLT-CARR 10-32 X .625 SS
26	711724	2	3/8" RETAINING RING, EXTERNAL
27	712346	2	STANDOFF - MACHINED STEEL
28	742759	0.001	TAPE-ELECTRICAL BLUE
29	748048	2	MOTOR 1 HP, 36V, 1800RPM
30	748122	2	BUSHING, HEYCO 2103 I.D .625.
31	748409	1	WIRE ASY, CYLINDRICAL DECK ER2832

32" Cylindrical Scrub Deck Assembly

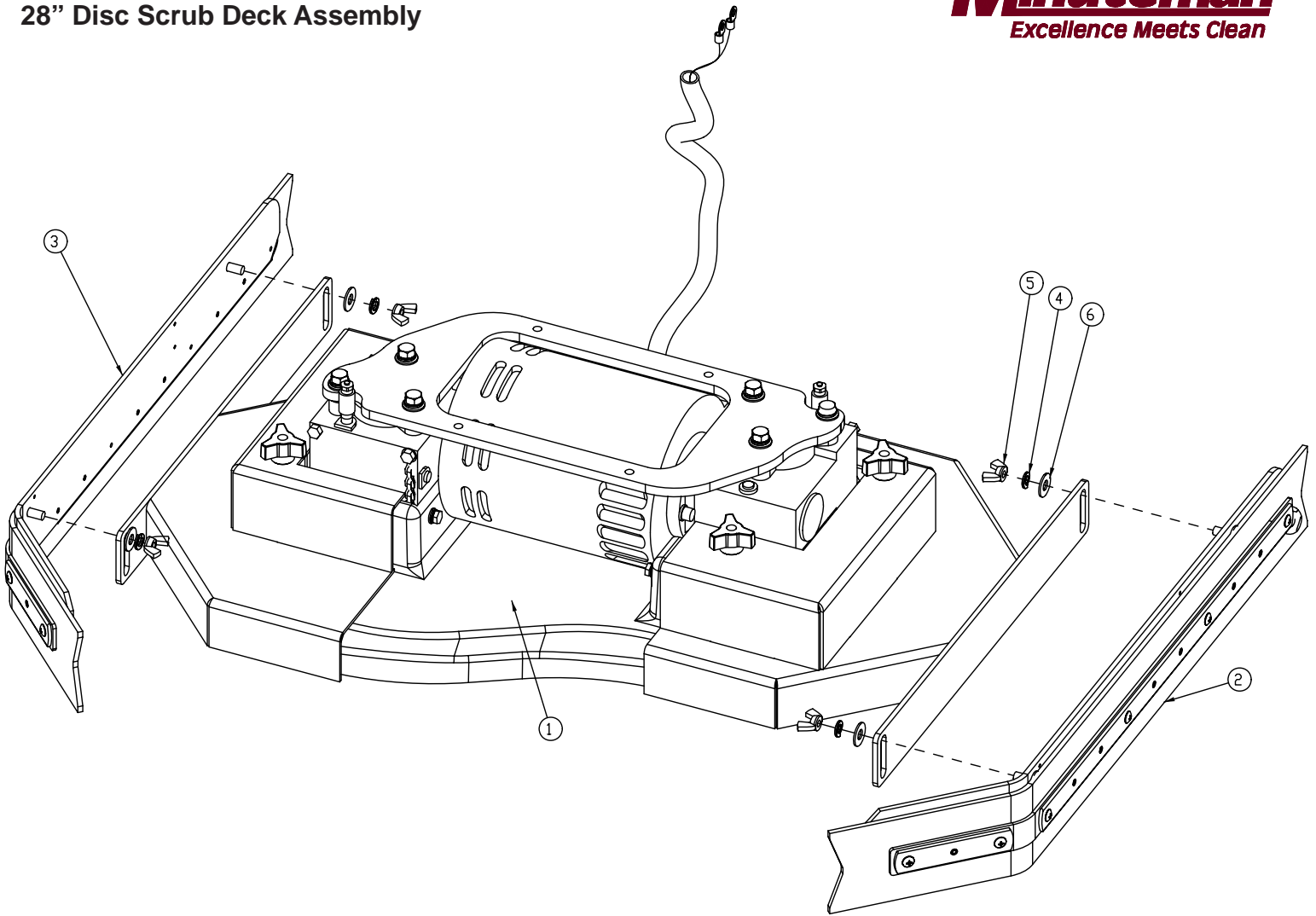


BILL OF MATERIAL - 281291			
ITEM	PART NO.	REQ'D	DESCRIPTION
1	210118	4	KNOB-3 SIDED 5/16 NYLOC
2	241544	1	HINGE BRKT WLDMNT RH
3	241546	1	HINGE BRKT WLDMNT LH
4	281291-1	1	CYLINDRICAL SCRUBDECK BASIC ASSY
5	281851	1	SIDE SQUEEGEE WIPE ASSYLH
6	281857	1	SIDE SQUEEGEE WIPE ASSYRH
7	281866	2	UPPER SQUEE BRK'T WMT
8	281868	1	CYL. DECK SIDE SQUEE SUPPORT LH
9	281869	1	CYL. DECK SIDE SQUEE SUPPORT RH
10	711119	2	CLEVIS PIN 7/16 X 2-5/8
11	711373	8	NUT -NYLOC 1/4-20
12	711504	8	WSR-FLAT 1/4 ID SS
13	711544	4	WSR-HELICAL 1/4
14	711808	2	COTTER PIN-HAIR #13
15	210118Y	2	KNOB-3 SIDED 5/16 NYLOC YELLOW

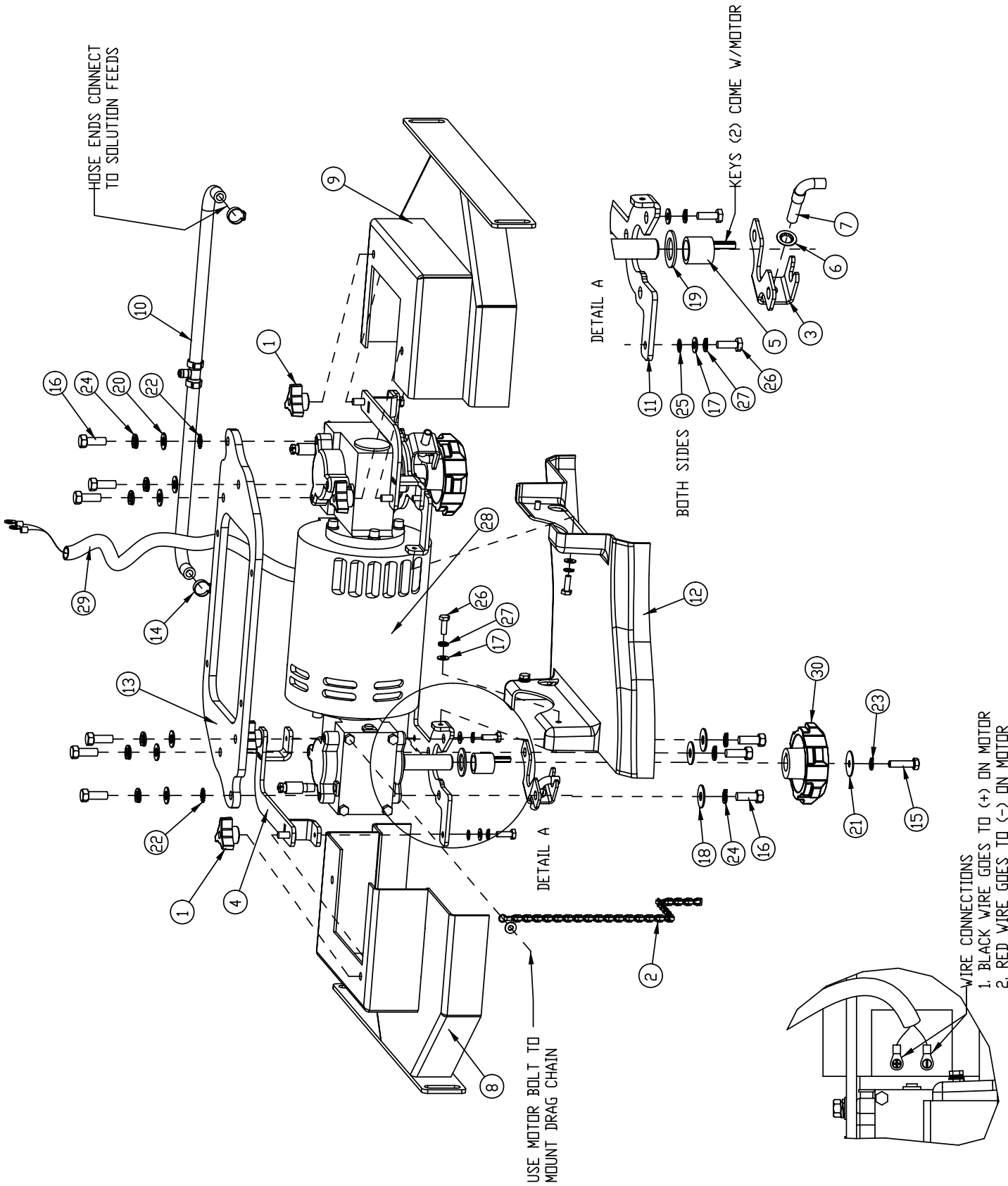
32" Cylindrical Scrub Deck Base



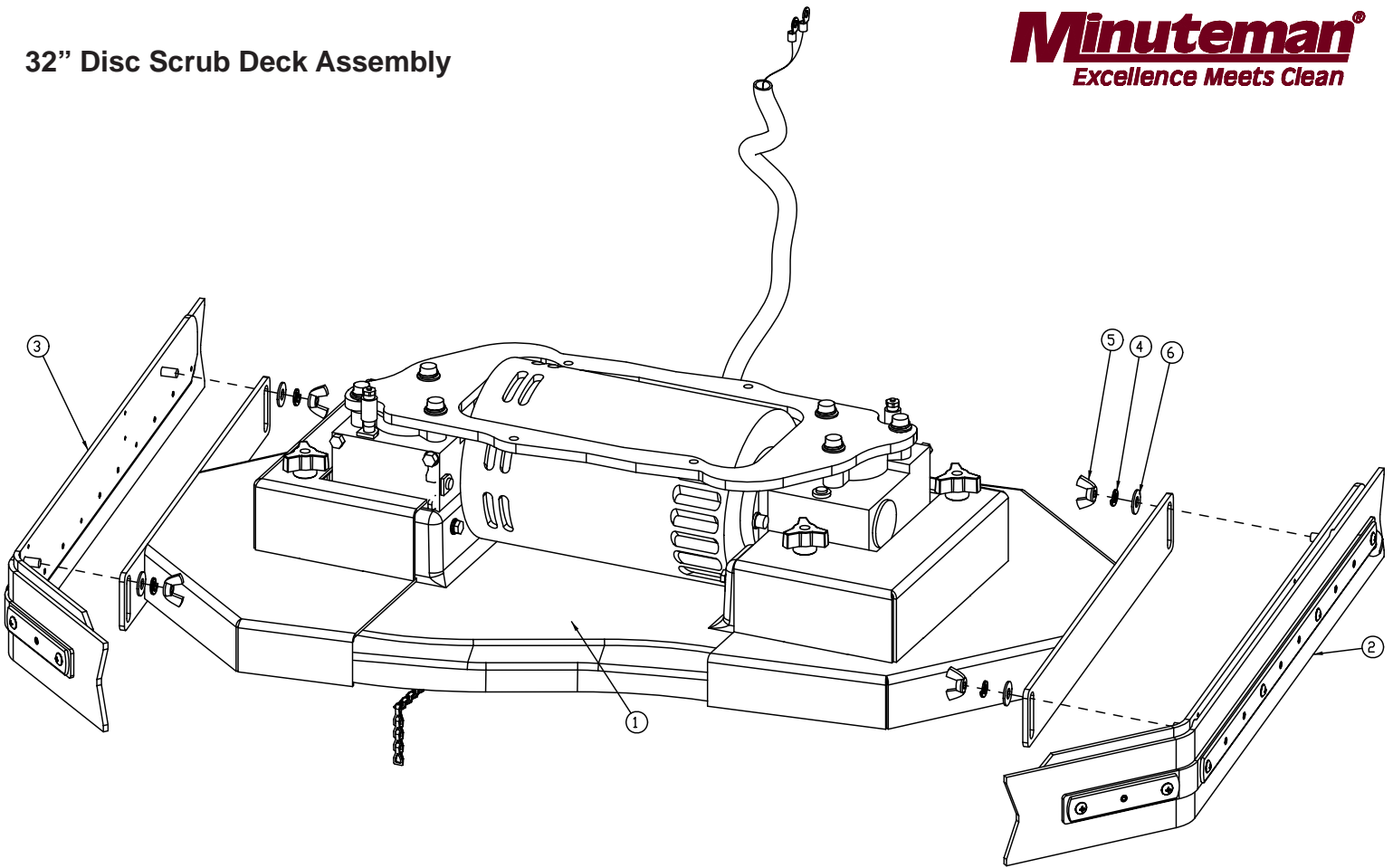
BILL OF MATERIAL - 281291-1			
ITEM	PART NO.	REQ'D	DESCRIPTION
1	281023	2	BELT COVER, CYLINDRICAL SCRUBDECK
2	281036	2	OFFSET PULLEY POLYV
3	281053	2	J BELT (POLYV) 18"
4	281177	1	SPRAY BAR ASSEMBLY - SCV 2832
5	281543	2	IDLER ASSY
6	281559	1	DRAG CHAIN ASSY, CYL. SCRUBDECK
7	281598	8	MOTOR STANDOFF - CYL SCRUB DECK
8	281606	1	SPRAYHEAD MTG BRKT
9	281670	2	DRIVE HUB ASSY, CYL DECK
10	281680	2	IDLER ASSEMBLY, CYL DECK
11	281892	1	32" CYLINDRICAL SCRUBDECK WELDMENT
12	281906	1	DEBRIS BOX WMT, CYL. SCRUBDECK 32"
13	430051	2	RETURN SPRING-3.00"
14	710154	2	SCR-MC TR HD 10-32 X .625 SS
15	711003	4	SCR-SK 10-32 x .25
16	711214	6	BLT-HH 1/4-20 X 2.00
17	711316	6	NUT-HEX 1/4-20 ST PL
18	711350	10	NUT-NYLOC 10-32
19	711389	6	NUT-WING 1/4-20 STL ZINC
20	711503	10	WSR, FLAT #10
21	711504	8	WSR-FLAT 1/4 ID SS
22	711505	6	1/4 FLAT WASHER, STEEL
23	711544	12	WSR-HELICAL 1/4
24	711558	2	WSR-INTERNAL LOCK 5/16 ID
25	711606	2	BLT-CARR 10-32 X .625 SS
26	711724	2	3/8" RETAINING RING, EXTERNAL
27	712346	2	STANDOFF - MACHINED STEEL
28	742759	0.001	TAPE-ELECTRICAL BLUE
29	748048	2	MOTOR 1 HP, 36V, 1800RPM
30	748122	2	BUSHING, HEYCO 2103 I.D .625.
31	748409	1	WIRE ASY, CYLINDRICAL DECK ER2832



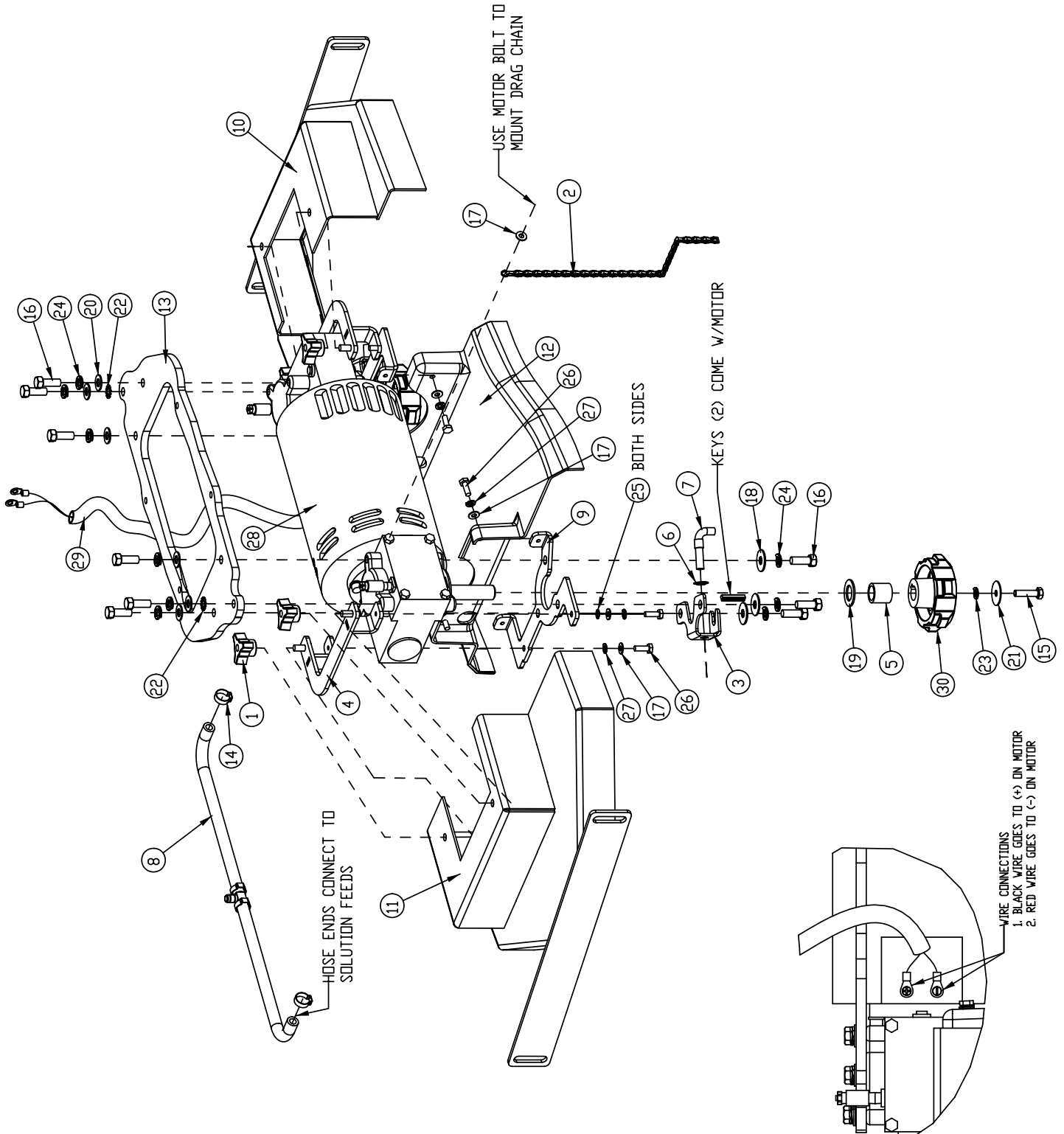
BILL OF MATERIAL - 281292			
ITEM	PART NO.	REQ'D	DESCRIPTION
1	281292-1	1	28" DISK SCRUBDECK BASIC ASSY
2	281875	1	SIDE SQUEEGEE WIPE ASSY RH
3	281878	1	SIDE SQUEEGEE WIPE ASSY LH
4	712140	4	WSR-HELICAL 5/16 SS
5	712157	4	NUT - WING 5/16-18 SS
6	712301	4	WSR-FLAT .37 X .87 X .06



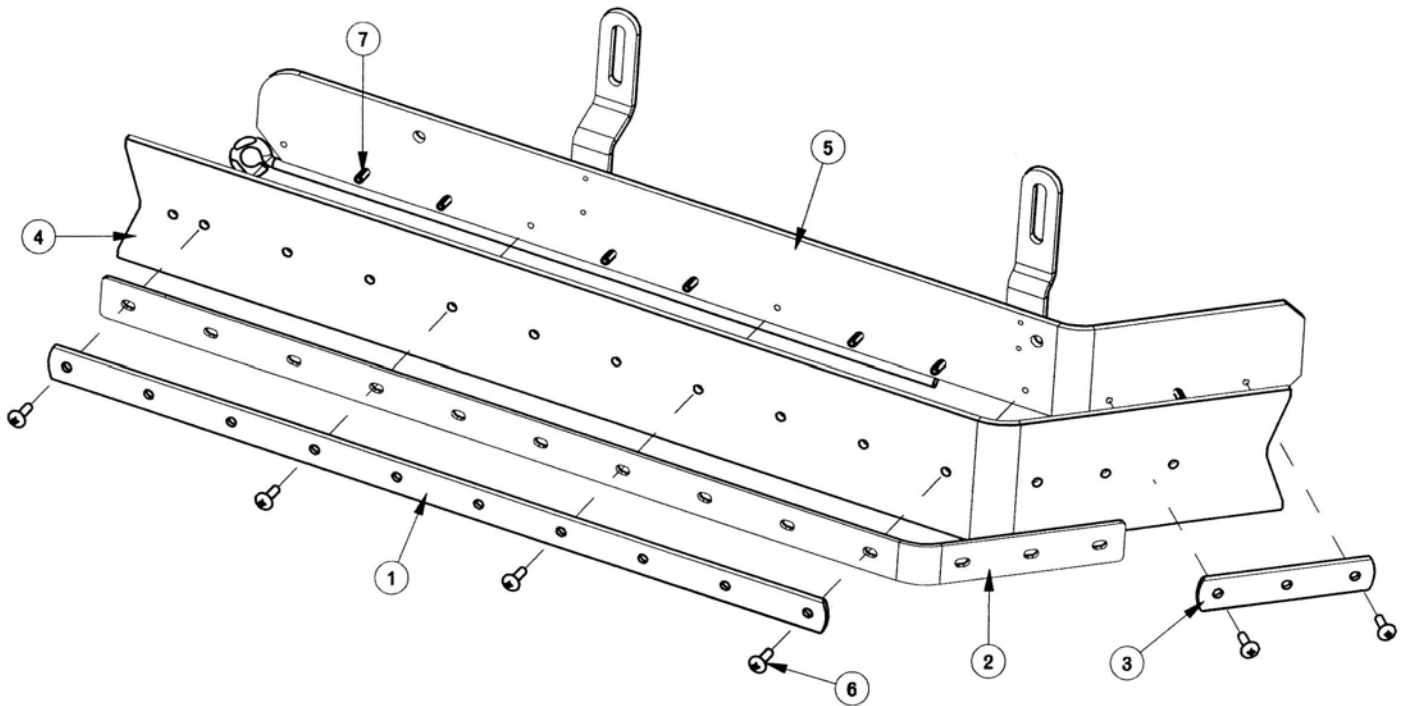
BILL OF MATERIAL - 281292-1			
ITEM	PART NO.	REQ'D	DESCRIPTION
1	210118	4	KNOB-3 SIDED 5/16 NYLOC
2	241628	1	DRAG CHAIN ASSY, DISK SCRUBDECK SCV24/26
3	241653	2	WATER FEED BRKT , DISK, SCV24/26
4	241662	2	COVER MNT BRK'T, SCV 24/26 ASSY
5	281611	2	HUB-SCRUB SPACER TUBE
6	281633	2	SPEED NUT - 3/8"
7	281634	2	DISK SOLUTION FEED ASSY
8	281871	1	DISK DECK COVER LH, SCV 24/26
9	281874	1	DISK DECK COVER RH, SCV 24/26
10	281881	1	SOL. FEED HOSE SUB-ASSY, DISK
11	281883	2	MOUNTING BRACKET , MOTOR COVER
12	320928	1	DECK COVER, 28" DISK
13	320929	1	DISK SCRUBDECK MNT G PLAT E, 28'
14	450076	2	CLAMP-CRIMP 185R SS
15	711231	2	BLT-HH 5/16-18X1.25 ST PL
16	711242	12	BLT-HH 3/8 -16 X 1.00
17	711504	9	WSR-FLAT 1/4 ID SS
18	711507	6	WSR-FLAT .37 X 1.12 X .06
19	711512	2	WSR-FLAT .75X1.37X.08
20	711515	6	WSR-FLAT .406 X .812 X .0625
21	711516	2	WSR- FLAT .31 X 1.25 X .05
22	711539	2	WSR-EXTERNAL LOCK 3/8
23	711545	2	WSR-HELICAL 5/16
24	711546	12	WSR-HELICAL 3/8
25	711554	2	WSR-INTERNAL LOCK 1/4 ID
26	712562	8	BOLT-HH 1/4-20X3/4 SS
27	712758	8	WSR-HELICAL 1/4 SS
28	748003	1	MOTOR, 28" DUAL RIGHT ANGLE DRIVE
29	748410	1	WIRE ASY, DISK DECK ER2832
30	3312402	2	HUB-SCRUB BRUSH DRIVE



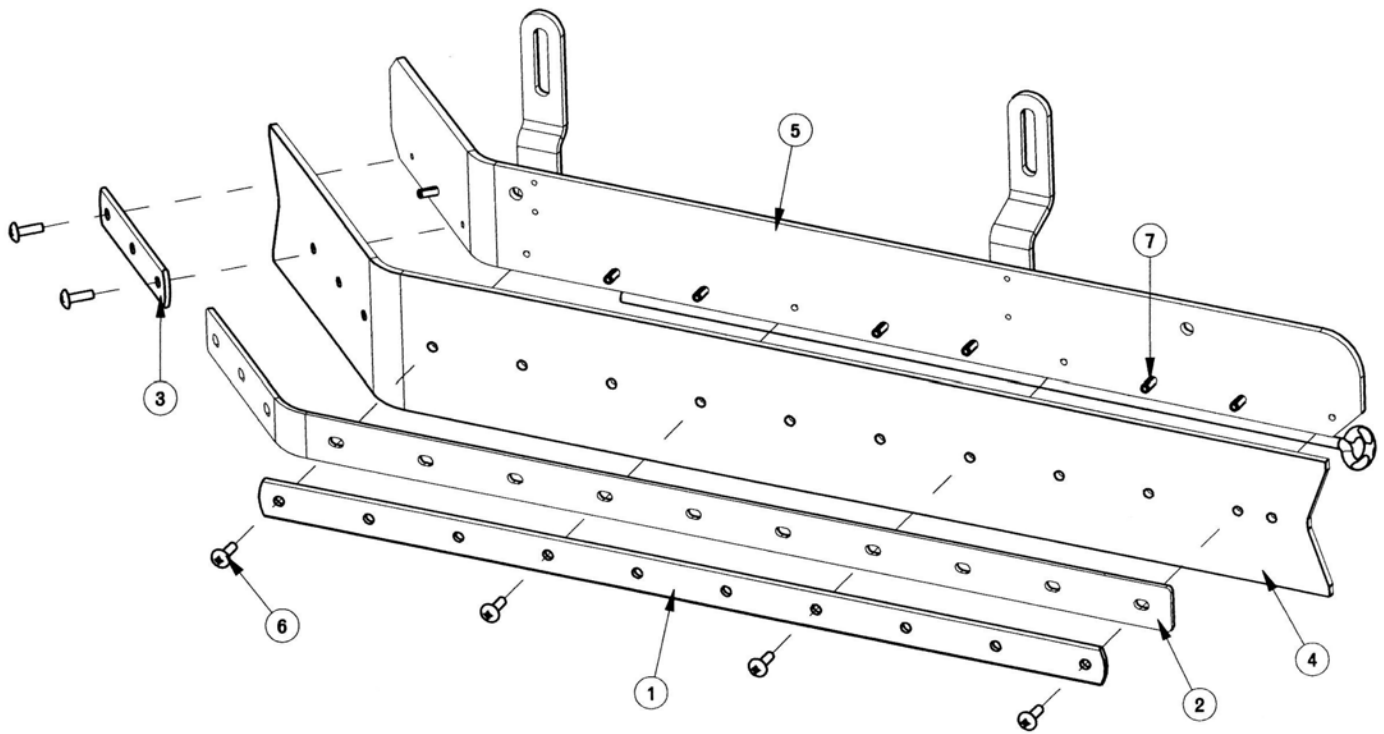
BILL OF MATERIAL - 281293			
ITEM	PART NO.	REQ'D	DESCRIPTION
1	281293-1	1	32" DISK SCRUBDECK BASIC ASSEMBLY
2	281875	1	SIDE SQUEEGEE WIPE ASSY RH
3	281878	1	SIDE SQUEEGEE WIPE ASSY LH
4	712140	4	WSR-HELICAL 5/16 SS
5	712157	4	NUT - WING 5/16-18 SS
6	712301	4	WSR-FLAT .37 X .87 X .06



BILL OF MATERIAL - 281293-1			
ITEM	PART NO.	REQ'D	DESCRIPTION
1	210118	4	KNOB-3 SIDED 5/16 NYLOC
2	241628	1	DRAG CHAIN ASSY, DISK SCRUBDECK SCV24/26
3	241653	2	WATER FEED BRKT , DISK, SCV24/26
4	241662	2	COVER MNT BRK'T , SCV24/26 ASSY
5	281611	2	HUB-SCRUB SPACER TUBE
6	281633	2	SPEED NUT - 3/8"
7	281634	2	DISK SOLUTION FEED ASSY
8	281881	1	SOL. FEED HOSE SUB-ASSY, DISK
9	281883	2	MOUNTING BRACKET , MOTOR COVER
10	281885	1	DISK DECK COVER RH 32", SCV28/32
11	281887	1	DISK DECK COVER LH 32", SCV28/32
12	320857	1	DECK COVER, 32" DISK
13	320859	1	DISK SCRUBDECK MNT G PLATE, 32"
14	450076	2	CLAMP-CRIMP 185R SS
15	711231	2	BLT-HH 5/16-18X1.25 ST PL
16	711242	12	BLT-HH 3/8 -16 X 1.00
17	711504	9	WSR-FLAT 1/4 ID SS
18	711507	6	WSR-FLAT .37 X 1.12 X .06
19	711512	2	WSR-FLAT .75X1.37X.08
20	711515	6	WSR-FLAT .406 X .812 X .0625
21	711516	2	WSR- FLAT .31 X 1.25 X .05
22	711539	2	WSR-EXTERNAL LOCK 3/8
23	711545	2	WSR-HELICAL 5/16
24	711546	12	WSR-HELICAL 3/8
25	711554	2	WSR-INTERNAL LOCK 1/4 ID
26	712562	8	BOLT-HH 1/4-20X3/4 SS
27	712758	8	WSR-HELICAL 1/4 SS
28	748033	1	MOTOR, 32" DUAL RIGHT ANGLE
29	748410	1	WIRE ASY, DISK DECK ER2832
30	3312402	2	HUB-SCRUB BRUSH DRIVE

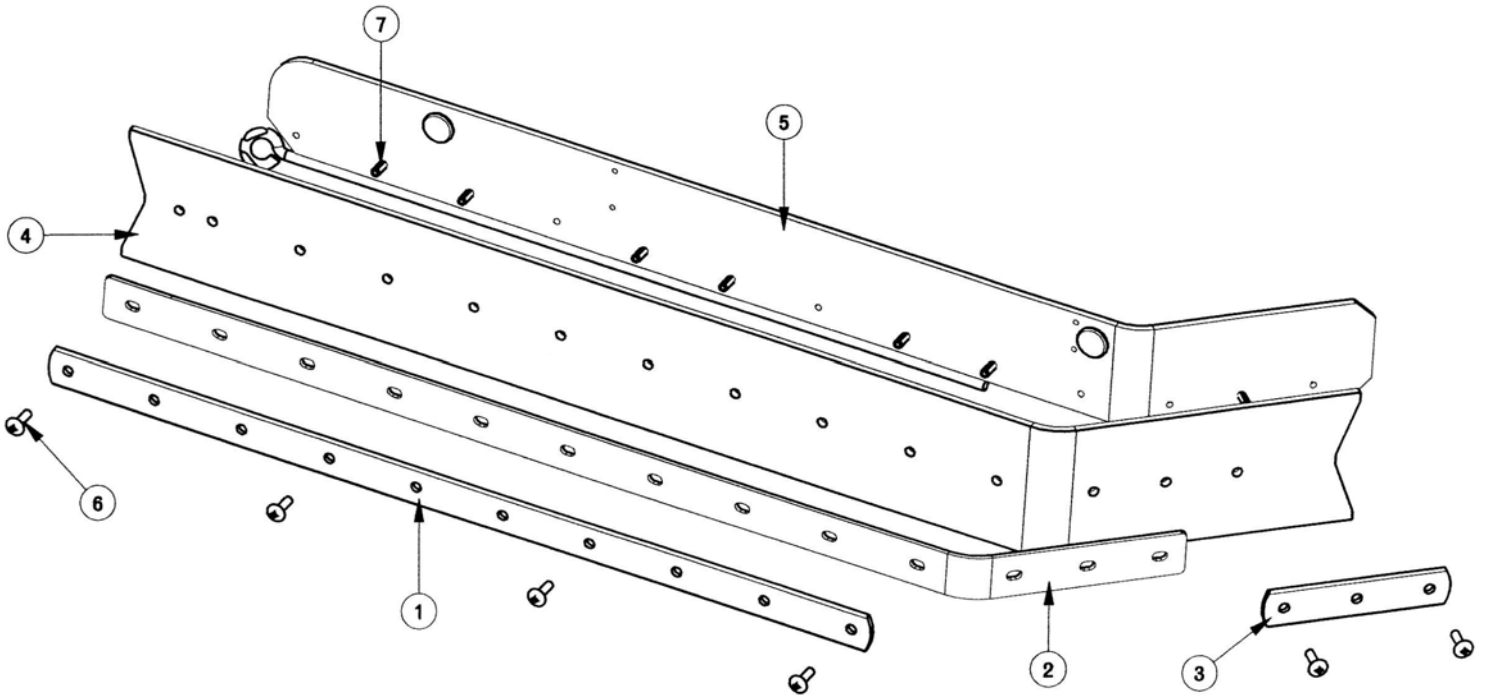


BILL OF MATERIAL - 281851			
ITEM	PART NO.	REQ'D	DESCRIPTION
1	241679	1	LONG RETAINER, SIDE SQ SCV2426
2	281855	1	BACKER BLADE, LONG SCV 2832
3	281856	1	SHORT RETAINER, SIDE SQ SCV2426
4	281859	1	SIDE SQUEEGEE BLADE LINATEX, SCV 2832
5	281860	1	DISK SQUEEGEE BRKT WMT LH,SCV 28/32
6	710154	6	SCR-MC TR HD 10-32 X .625 SS
7	711622	7	ROLL PIN 3/16"X 5/8"



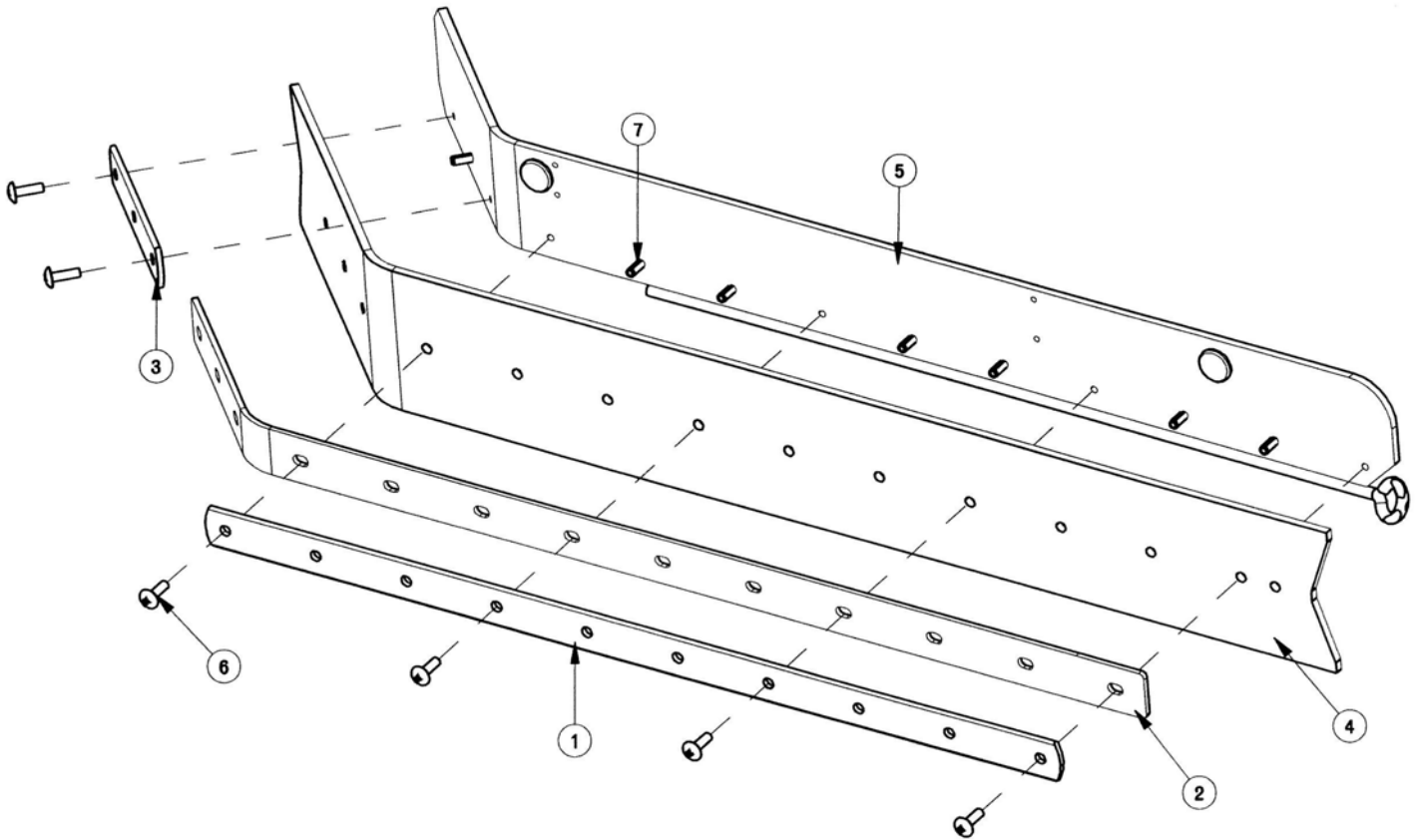
BILL OF MATERIAL - 281857

ITEM	PART NO.	REQ'D	DESCRIPTION
1	241679	1	LONG RETAINER, SIDE SQ SCV2426
2	281855	1	BACKER BLADE, LONG SCV 2832
3	281856	1	SHORT RETAINER, SIDE SQ SCV2426
4	281859	1	SIDE SQUEEGEE BLADE LINATEX, SCV 2832
5	281864	1	SQUEEGEE BRK'T WMNT RH, SCV 28/32
6	710154	6	SCR-MC TR HD 10-32 X .625 SS
7	711622	7	ROLL PIN 3/16" X 5/8"

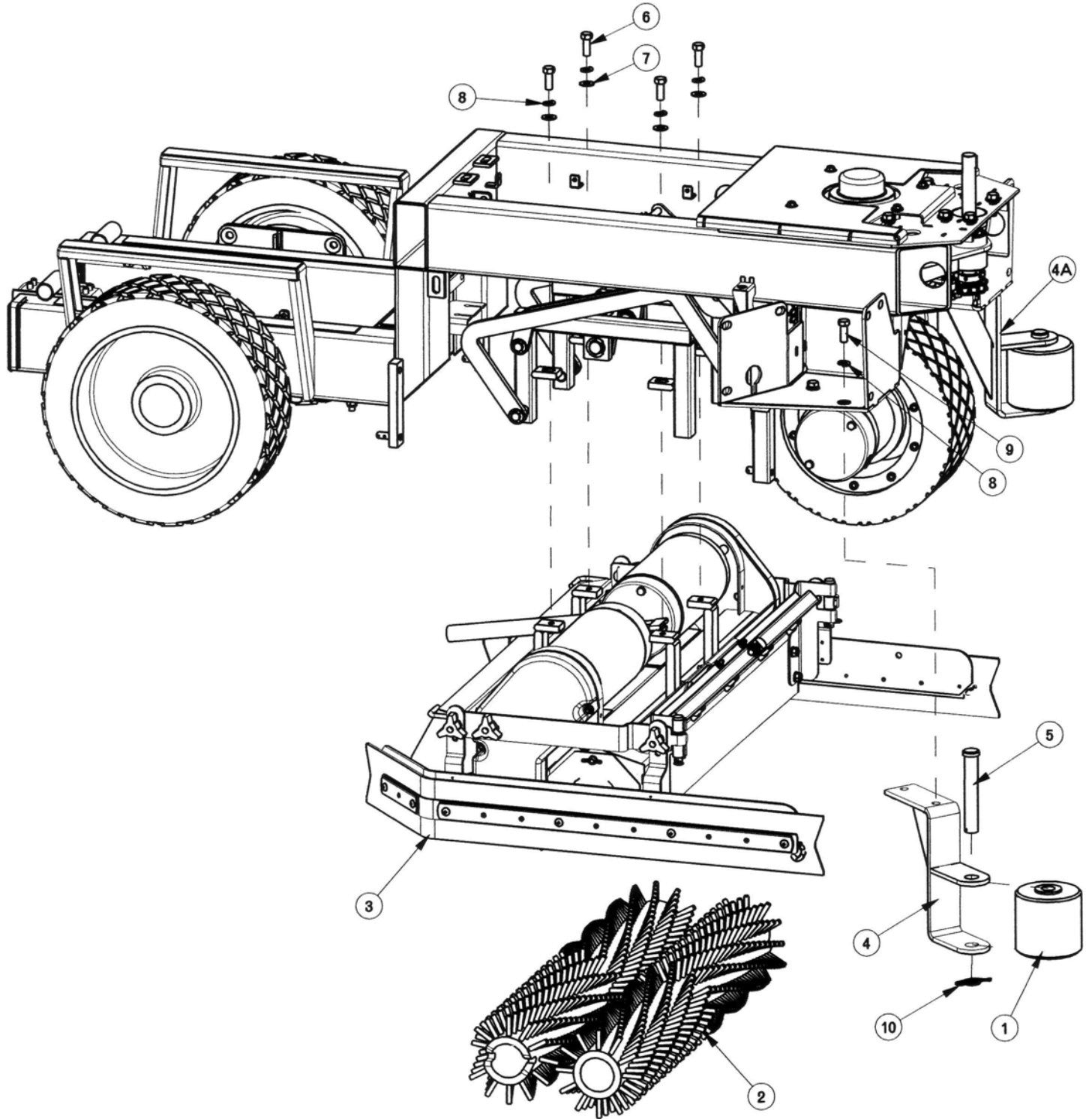


BILL OF MATERIAL - 281878

ITEM	PART NO.	REQ'D	DESCRIPTION
1	241679	1	LONG RETAINER, SIDE SQ SCV2426
2	281855	1	BACKER BLADE, LONG SCV 2832
3	281856	1	SHORT RETAINER, SIDE SQ SCV2426
4	281859	1	SIDE SQUEEGEE BLADE LINATEX, SCV 2832
5	281880	1	DISK SQUEEGEE BRKT WMT LH,SCV2426
6	710154	6	SCR-MC TR HD 10-32 X .625 SS
7	711622	7	ROLL PIN 3/16" X 5/8"

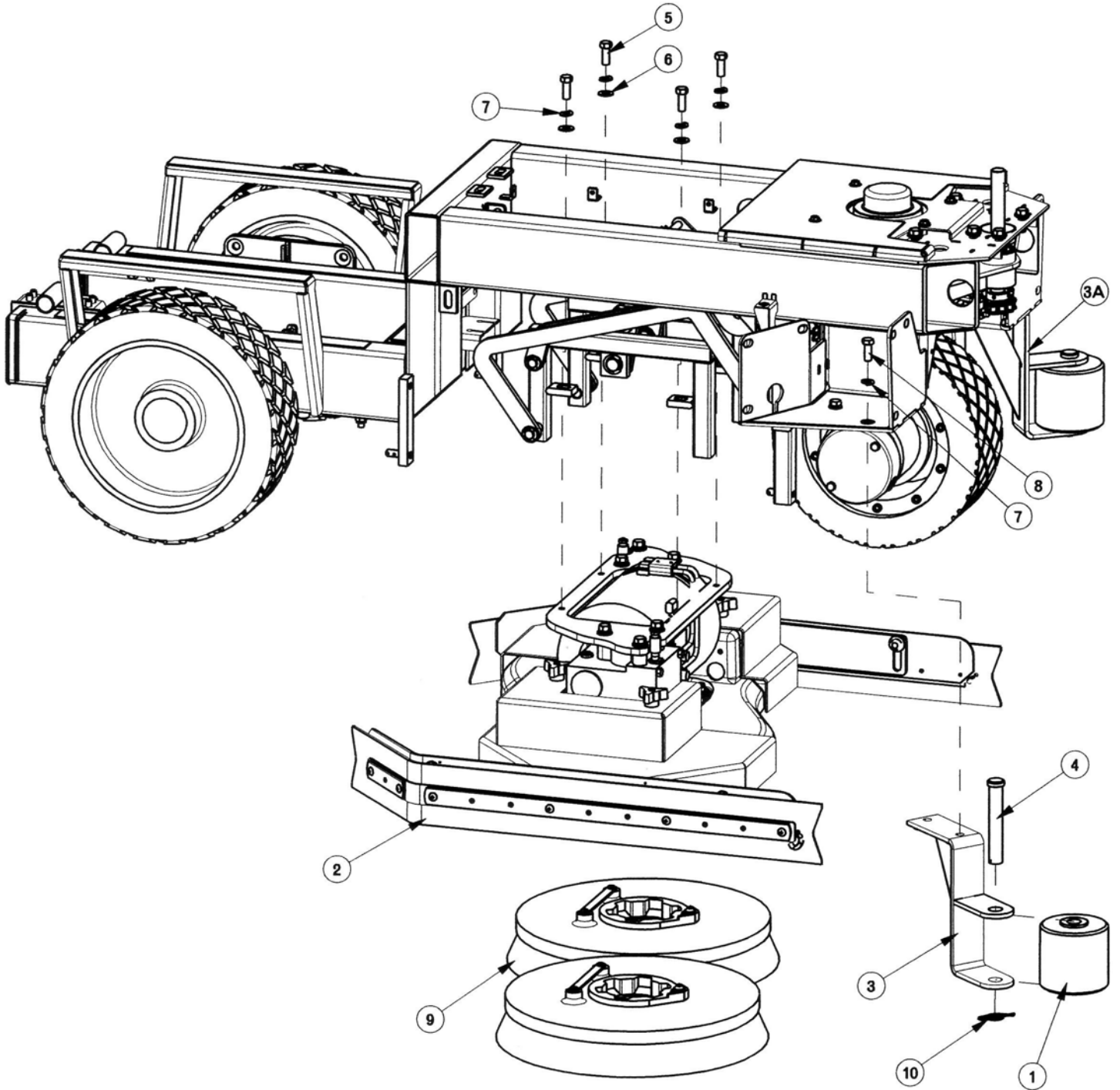


BILL OF MATERIAL - 281875			
ITEM	PART NO.	REQ'D	DESCRIPTION
1	241679	1	LONG RETAINER, SIDE SQ SCV2426
2	281855	1	BACKER BLADE, LONG SCV 2832
3	281856	1	SHORT RETAINER, SIDE SQ SCV2426
4	281859	1	SIDE SQUEEGEE BLADE LINATEX, SCV 2832
5	281877	1	SQUEEGEE BRK'T WMNT RH, SCV 2426
6	710154	6	SCR-MC TR HD 10-32 X .625 SS
7	711622	7	ROLL PIN 3/16"X 5/8"



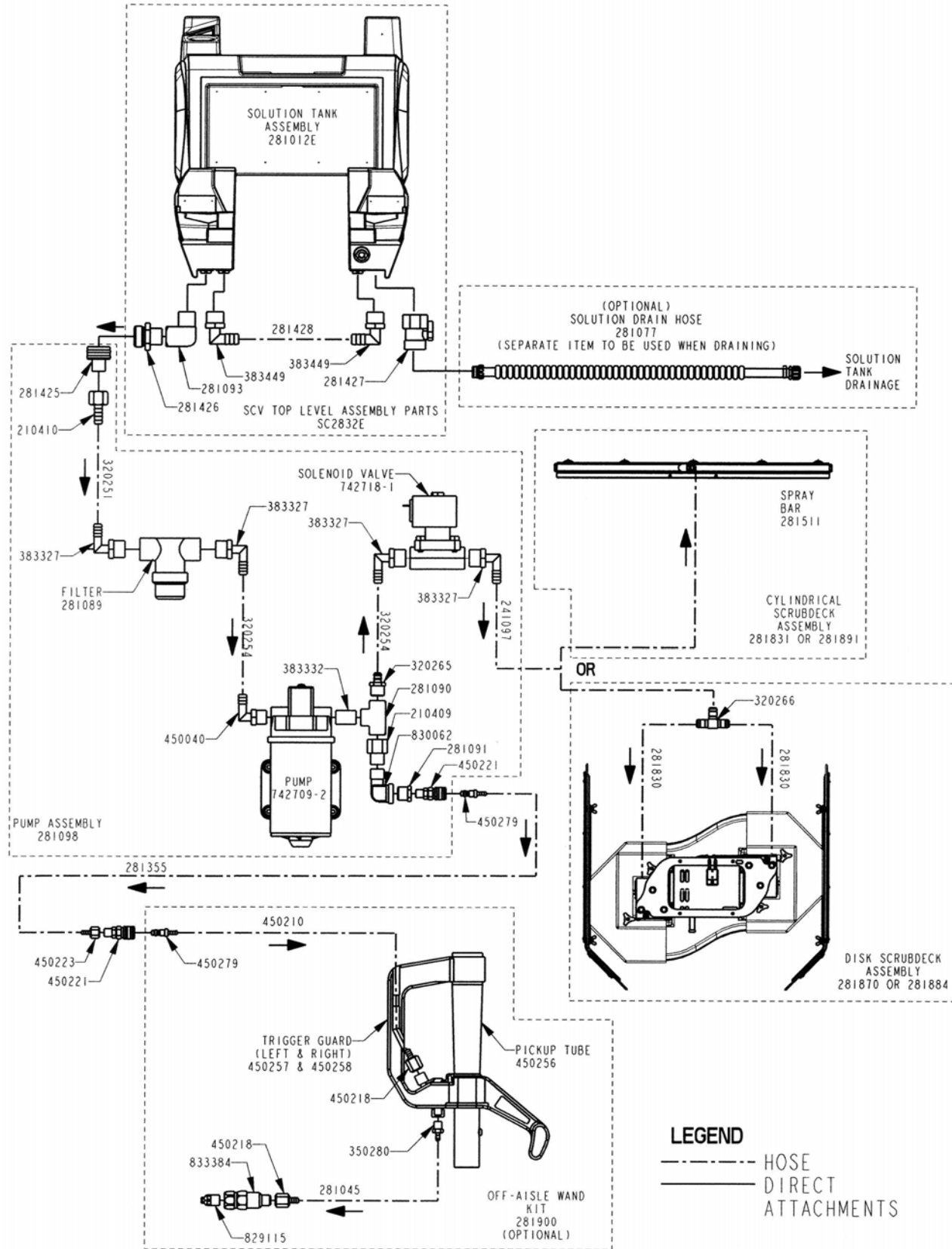
BILL OF MATERIAL - ER28CQP			
ITEM	PART NO.	REQ'D	DESCRIPTION
1	66-436-A	2	RUBBER ROLLER
2	281520	2	BRUSH, CYL 28" .022 NYLON
2A	281521	2	BRUSH, CYL 28" .028 NYL
2B	281522	2	BRUSH, CYL 28" .026 PP
2C	281525	2	BRUSH, CYL 28" SCRUBGRIT II 120
2D	281526	2	BRUSH, CYL 28" NYLOGRIT 80GR
2E	281527	2	BRUSH, CYL 28" STRATAGRIT 46GR
2F	281529	2	BRUSH, CYL 28" SCRUBGRIT 180GR
3	281290	1	CYLINDRICAL SCRUBDECK ASSY, 28" NO BRUSHES
4	281955	2	FRONT ROLLER MOUNT BRKT WMT
5	360017	2	3/4" X 4.50 CLEVIS PIN
6	711242	10	BLT-HEX 3/8 -16X1.00 ZP
7	711515	13	WSR-FLAT .406 X .812 X .0625
8	711546	14	WSR-HELICAL 3/8
9	713042	4	BLT-HH 3/8-16 X 1 #5
10	3400661	2	PIN-COTTER 5/8 RUE-RING

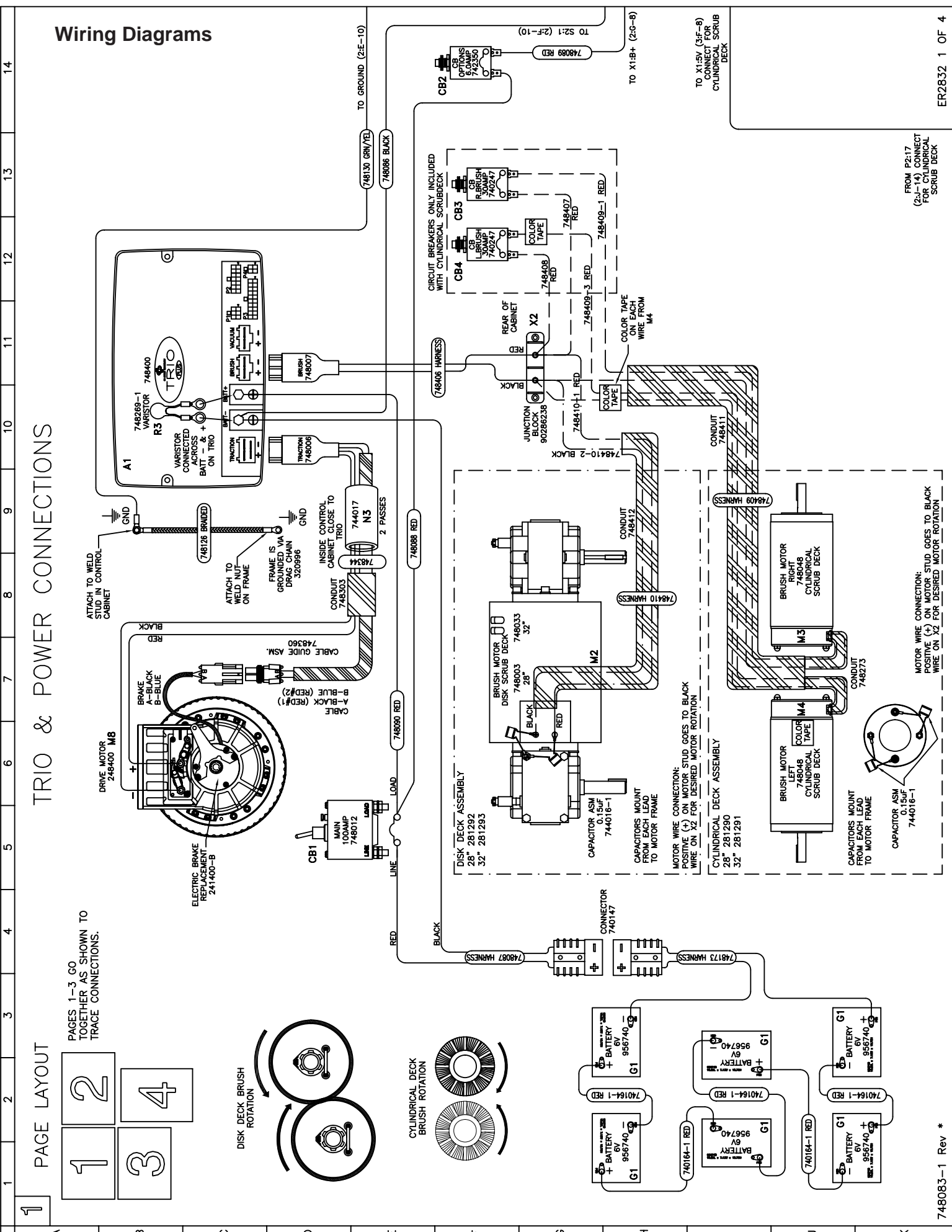
BILL OF MATERIAL - ER32CQP			
ITEM	PART NO.	REQ'D	DESCRIPTION
1	66-436-A	2	RUBBER ROLLER
2	281530	2	BRUSH, CYL 32" .022 NYLON
2A	281531	2	BRUSH, CYL 32" .028 NYL
2B	281532	2	BRUSH, CYL 32" .026 PP
2C	281535	2	BRUSH, CYL 32" SCRUBGRIT II 120
2D	281536	2	BRUSH, CYL 32" NYLOGRIT 80GR
2E	281537	2	BRUSH, CYL 32" STRATAGRIT 46GR
2F	281539	2	BRUSH, CYL 32" SCRUBGRIT 180GR
3	281291	1	CYLINDRICAL SCRUBDECK ASSY, 32" NO BRUSHES
4	281976	1	FRONT ROLLER MNT BRKT WMT, RH (32" ONLY)
4A	281971	1	FRONT ROLLER MNT BRKT WMT, LH (32" ONLY)
5	360017	2	3/4" X 4.50 CLEVIS PIN
6	711242	10	BLT-HEX 3/8 -16X1.00 ZP
7	711515	13	WSR-FLAT .406 X .812 X .0625
8	711546	14	WSR-HELICAL 3/8
9	713042	4	BLT-HH 3/8-16 X 1 #5
10	3400661	2	PIN-COTTER 5/8 RUE-RING



BILL OF MATERIAL - ER28DQP			
ITEM	PART NO.	REQ'D	DESCRIPTION
1	66-436-A	2	RUBBER ROLLER
2	281292	1	DISK SCRUBDECK ASSEMBLY, 28" NO BRUSHES
3	281955	1	FRONT ROLLER MOUNT BRKT WMT
4	360017	2	3/4" X 4.50 CLEVIS PIN
5	711242	10	BLT-HEX 3/8 -16X1.00 ZP
6	711515	13	WSR-FLAT .406 X .812 X .0625
7	711546	14	WSR-HELICAL 3/8
8	713042	4	BLT-HH 3/8-16 X 1 #5
9	3313135	2	BRUSH SCRUB 14" PLASTIC NYLON
9A	3313125	2	POWER DRIVE 14" POWERGRIT 80 S/S
9B	3313127	2	POWER DRIVE 14" POWERGRIT 46 HDS
9C	3313131	2	BRUSH SCRUB 14" PLAS WIRE
9D	3313133	2	BRUSH SCRUB 14" PLAS BUTCHWIRE
9E	3315494	2	BRUSH 14" PWR DRIVE W/PAD HLDR
9F	3315386	2	POWER DRIVE 14" POWERGRIT 120 AGS
10	3400661	2	PIN-COTTER 5/8 RUE-RING

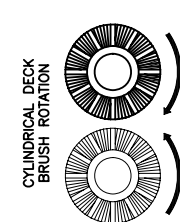
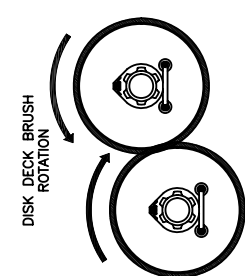
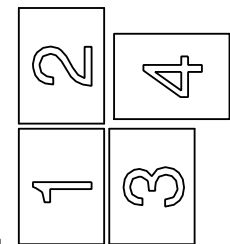
BILL OF MATERIAL - ER32DQP			
ITEM	PART NO.	REQ'D	DESCRIPTION
1	66-436-A	2	RUBBER ROLLER
2	281293	1	DISK SCRUBDECK ASSEMBLY, 32"NO BRUSHES
3	281976	1	FRONT ROLLER MOUNT BRKT WMT, RH (32" ONLY)
3A	281971	1	FRONT ROLLER MOUNT BRKT WMT, LH (32" ONLY)
4	360017	2	3/4" X 4.50 CLEVIS PIN
5	711242	10	BLT-HEX 3/8 -16X1.00 ZP
6	711515	13	WSR-FLAT .406 X .812 X .0625
7	711546	14	WSR-HELICAL 3/8
8	713042	4	BLT-HH 3/8-16 X 1 #5
9	3313136	2	BRUSH SCRUB 16" PLASTIC NYLON
9A	3313126	2	POWER DRIVE 16" POWERGRIT 80 S/S
9B	3313128	2	POWER DRIVE 16" POWERGRIT 46 HDS
9C	3313132	2	BRUSH SCRUB 16" PLAS WIRE
9D	3313134	2	BRUSH SCRUB 16" PLAS BUTCHWIRE
9E	3315495	2	BRUSH 16" PWR DRIVE W/PAD HLDR
9F	3315385	2	POWER DRIVE 16" POWERGRIT 120 AGS
10	3400661	2	PIN-COTTER 5/8 RUE-RING





TRIO & POWER CONNECTIONS

PAGES 1-3 GO TOGETHER AS SHOWN TO TRACE CONNECTIONS.



Wiring Diagrams

WIRE COLORS & FUNCTIONS

P2: TRIO CONNECTOR

PIN #	COLOR	FUNCTION
1	GREY/RED	WATER SOLENOID VALVE
2	GREY/BLACK	WATER SOLENOID VALVE
3	YELLOW/ORANGE	SQUEEGE ACTUATOR
4	BLUE/GREEN	BRUSH ACTUATOR
5	WHITE/YELLOW	WATER FLOW POTENTIOMETER (SLOW)
6	-	-
7	WHITE/RED	WATER FLOW POTENTIOMETER (WIPER)
8	VIOLET/BLACK	WATER PUMP
9	BLACK/VIOLET	WATER PUMP
10	YELLOW/BLUE	SQUEEGE ACTUATOR
11	BLUE/ORANGE	BRUSH ACTUATOR
12	WHITE/GREEN	WATER FLOW POTENTIOMETER (FAST)
13	-	-
14	ORANGE/VIOLET	BRUSH DECK PRESSURE SETTING

P3: TRIO CONNECTOR

PIN #	COLOR	FUNCTION
1	YELLOW/RED	5 MODE SWITCH: LIGHT SCRUB
2	YELLOW/BLACK	5 MODE SWITCH: HEAVY SCRUB
3	YELLOW	5 MODE SWITCH: TRANSPORT
4	-	-
5	BLUE/WHITE	DECK RAISE/LOWER SWITCH
6	RED/YELLOW	BATTERY GAUGE SIGNAL
7	GREY/YELLOW	HOUR METER
8	RED/WHITE	ON/OFF RED (B+)
9	BLACK/ORANGE	SPEED POTENTIOMETER (SLOW)
10	BLACK/PINK	SPEED POT/SEAT SAFETY SWITCH
11	YELLOW/WHITE	5 MODE SWITCH: VACUUM ONLY
12	YELLOW/GREY	5 MODE SWITCH: DOUBLE SCRUB
13	VIOLET/YELLOW	REVERSE SWITCH
14	BROWN/GREEN	FLOAT SWITCH: SOLUTION TANK EMPTY
15	WHITE/BLUE	OFF AISLE WAND
16	RED/BLACK	HIGH SWITCH REF: 5VDC
17	BROWN/BLACK	BACK UP ALARM
18	RED/VIOLET	ON/OFF INPUT: KEY SWITCH-KSI
19	BLACK/RED	LOW SWITCH REF: 0VDC
20	BLACK/WHITE	SPEED POTENTIOMETER (FAST)

MISCELLANEOUS

COLOR	FUNCTION
RED	BATTERY 36VDC
BLACK	BATTERY 0VDC
RED/BLACK	HIGH SWITCH REF: 5VDC
BLACK/RED	LOW SWITCH REF: 0VDC
RED/VIOLET	KEY SWITCH INPUT- KSI
BLUE/YELLOW	HORN
ORANGE/VIOLET	DECK TYPE SELECT:CONNECT FOR CYLINDRICAL

KEY SWITCH: S2

PIN #	HARNESS COLOR	FUNCTION
1	BLACK	WATER SOLENOID VALVE
B	BLACK	WATER SOLENOID VALVE
2	RED/WHITE	+V FROM TRIO P3:8
B1	RED/VIOLET	E-STOP-TRIO KSI P3:18

BATTERY GAUGE: BDI

PIN #	COLOR	FUNCTION
1	RED/VIOLET	SWITCHED 36VDC:P3-18
2	RED/YELLOW	SIGNAL: P3-6
3	BLACK/RED	SIGNAL REF 0V
4	GREEN/YELLOW	ESD DISCHARGE

MODE SELECT SWITCH: S4

SWT #	PIN #	COLOR	FUNCTION
1	1	YELLOW/BLACK	HEAVY SCRUB
2	2	YELLOW/RED	LIGHT SCRUB
3	3	YELLOW/GREY	DOUBLE SCRUB
4	4	YELLOW/WHITE	VACUUM ONLY
5	5	YELLOW	TRANSPORT
C	6	RED/BLACK	SWITCH REF 5V

DIRECTION SWITCH: S6

PIN #	COLOR	FUNCTION
1	VIOLET/YELLOW	REVERSE
2	RED/BLACK	HIGH SWITCH REF 5VDC
3	EMPTY	-
4	EMPTY	-
5	EMPTY	-
6	EMPTY	-

DECK RAISE/LOWER SWITCH: S9

PIN #	COLOR	FUNCTION
1	RED/BLACK	HIGH SWITCH REF 5VDC
2	BLUE/WHITE	DECK RAISE/LOWER INPUT
3	BLACK/RED	LOW SWITCH RED 0VDC
4	EMPTY	-
5	EMPTY	-
6	EMPTY	-

ER2832 PART REFERENCE LIST
Schematic 745083-1

REFERENCE #	COMPONENT NAME	PART NUMBER	LOCATION
M1	VACUUM MOTOR	742772-1	3:D-2
M2	BRUSH MOTOR DISK	748003 or 748033	1:G-7
M3	BRUSH MOTOR CYLINDRICAL- RIGHT	748048	1:J-6
M4	BRUSH MOTOR CYLINDRICAL- LEFT	748048	1:J-7
M5	SQUEEGEE ACTUATOR	748009-1	3:B-4
M6	BRUSH DECK ACTUATOR	740819-2	3:B-11
M7	WATER PUMP ASSEMBLY(BRUSH DECK)	742709-2	2:H-3
M8	DRIVE MOTOR	281400	1:D-6
A1	TRIO CONTROL UNIT- ERIDE	748400	1:C-9
	TRIO PROGRAM	748400-1	N/A
S2	KEY SWITCH	742927	2:F-10
S3	HORN SWITCH	748047	2:I-11
S4	MODE SELECT SWITCH	747027	2:A-6
S5	ACCELERATOR SWITCH	PART of 748013-1	2:K-2
S6	DIRECTION SWITCH	748151	2:D-9
S7	OFF AISLE WAND SWITCH- OPTION 281900	742716	2:B-10
S8	SEAT SWITCH	281087-1	2:I-2
S9	DECK RAISE/LOWER SWITCH	748152	2:I-5
S10	HEAD LIGHT SWITCH- OPTION 281990	742716	2:B-13
B1	SOLUTION TANK EMPTY FLOAT SWITCH	742708-4	2:A-4
CB1	MAIN CIRCUIT BREAKER 100A	748012	1:E-5
CB2	CIRCUIT BREAKER 6A	742350	1:F13
CB3	CIRCUIT BREAKER 30A RIGHT CYLINDRICAL BRUSH MOTOR	740247	1:F12
CB4	CIRCUIT BREAKER 30A LEFT CYLINDRICAL BRUSH MOTOR	740247	1:F11
H1	HORN / BACKUP ALARM	748200	2:K-7
H2	WARNING BEACON ASSEMBLY- OPTION 281845	748135-1	2:E-13
Y1	WATER SOLENOID (BRUSH DECK)	748390	3:J-3
HM1	HOUR METER	740539	2:J-6
BDI	BATTERY GAUGE, BDI	747011	2:I-8
G1	BATTERY 6V 235Ah (FLOODED TYPE)	956740	1:G,J-2,3
OPTIONAL:G1	BATTERY 12V 312Ah (AGM TYPE)	956745	1:G,J-2,3
R1	SPEED POTENTIOMETER	748013-1	3:K-3
R2	WATER FLOW POTENTIOMETER ASSEMBLY	747025	3:C-14
R3	VARISTOR ASM	748269-1	1:C-10
L1	HEADLIGHT, RIGHT- OPTION 281990	742704	2:D-13
L2	HEADLIGHT, LEFT- OPTION 281990	742704	2:C-13
X1	TERMINAL BLOCK	748153	2:G-8
X2	JUNCTION BLOCK- BRUSH MOTOR	90286238	2:G-10
N1	EMI FILTER (WATER PUMP)	742391	3:H-5
N6	TORROID (VAC MOTOR)	742254	3:E-4
C1	CAPACITOR (VAC MOTOR)	742289 (2)	1:D,E-3
C2	CAPACITOR (BRUSH MOTORS)	744016-1 (2 or 4)	1:G-6
P2	WIRE HARNESS TO TRIO	748190	3:J-13
P3	WIRE HARNESS TO TRIO	748191	2:F-4
	WIRE HARNESS, MAIN HARNESS	748138E	N/A

Minuteman International Made Simple Commercial Limited Warranty



**REVISION H
EFFECTIVE 05/30/2012**

Minuteman International, Inc. warrants to the original purchaser/user that the product is free from defects in workmanship and materials under normal use. Minuteman will, at its option, repair or replace without charge, parts that fail under normal use and service when operated and maintained in accordance with the applicable operation and instruction manuals. All warranty claims must be submitted through and approved by factory authorized repair stations.

This warranty does not apply to normal wear, or to items whose life is dependent on their use and care, such as belts, cords, switches, hoses, rubber parts, electrical motor components or adjustments. Parts manufactured by Minuteman are covered by and subject to the warranties and/or guarantees of their manufacturers. Please contact Minuteman for procedures in warranty claims against these manufacturers.

Special warning to purchaser — Use of replacement filters and/or prefilters not manufactured by Minuteman or its designated licensees, will void all warranties expressed or implied. A potential health hazard exists without original equipment replacement.

All warranted items become the sole property of Minuteman or its original manufacturer, whichever the case may be.

Minuteman disclaims any implied warranty, including the warranty of merchantability and the warranty of fitness for a particular purpose. Minuteman assumes no responsibility for any special, incidental or consequential damages.

This limited warranty is applicable only in the U.S.A. and Canada, and is extended only to the original user/purchaser of this product. Customers outside the U.S.A. and Canada should contact their local distributor for export warranty policies. Minuteman is not responsible for costs or repairs performed by persons other than those specifically authorized by Minuteman. This warranty does not apply to damage from transportation, alterations by unauthorized persons, misuse or abuse of the equipment, use of non-compatible chemicals, or damage to property, or loss of income due to malfunctions of the product.

If a difficulty develops with this machine, you should contact the dealer from whom it was purchased.

This warranty gives you specific legal rights, and you may have other rights which vary from state to state. Some states do not allow the exclusion or limitation of special, incidental or consequential damages, or limitations on how long an implied warranty lasts, so the above exclusions and limitations may not apply to you.

Cord Electric Group: Three years parts, two years labor, ninety days travel (Not to exceed two hours)

Exceptions.....

Model	Parts	Labor	Poly	Travel
Port A Scrub	1 yr	6 months	10 yrs	0
MPV 13	1 yr	0	0	0
MPV 14 & 18	2 yrs	1 yr	0	0
Phenom Upright Vacuums	1 yr	1yr	0	0
Rapid Air Blower	1 yr	1 yr	10 yrs	0
Explosion Proof Vacuum	1 yr	1 yr	0	0
C-BOX 100, H-BOX 200 & TRS 14	1 yr	1 yr	10 yrs	0
E17 & E20 Electric Scrubbers	1 yr	6 months	10 yrs	0
Pneumatic Vacuums	3 yr	1 yr	0	0
Description	Parts	Labor	Poly	Travel
Battery Operated Group	3 yrs	2 yrs	10	90 days
Sweepers	1 yr	1 yr	10	90 days
Internal Combustion Group	1 yr	1 yr	10	90 days
Exception: PAS 14B	1 yr	1 yr	10 yr	0 Not to exceed two hours

Battery Chargers:

Replacement

Batteries:

Polyethylene Plastic Tanks:

One year replacement

Parts: Ninety days

0-3 months replacement, 4-12 months pro-rate

Tanks have 10yr warranty, no additional labor